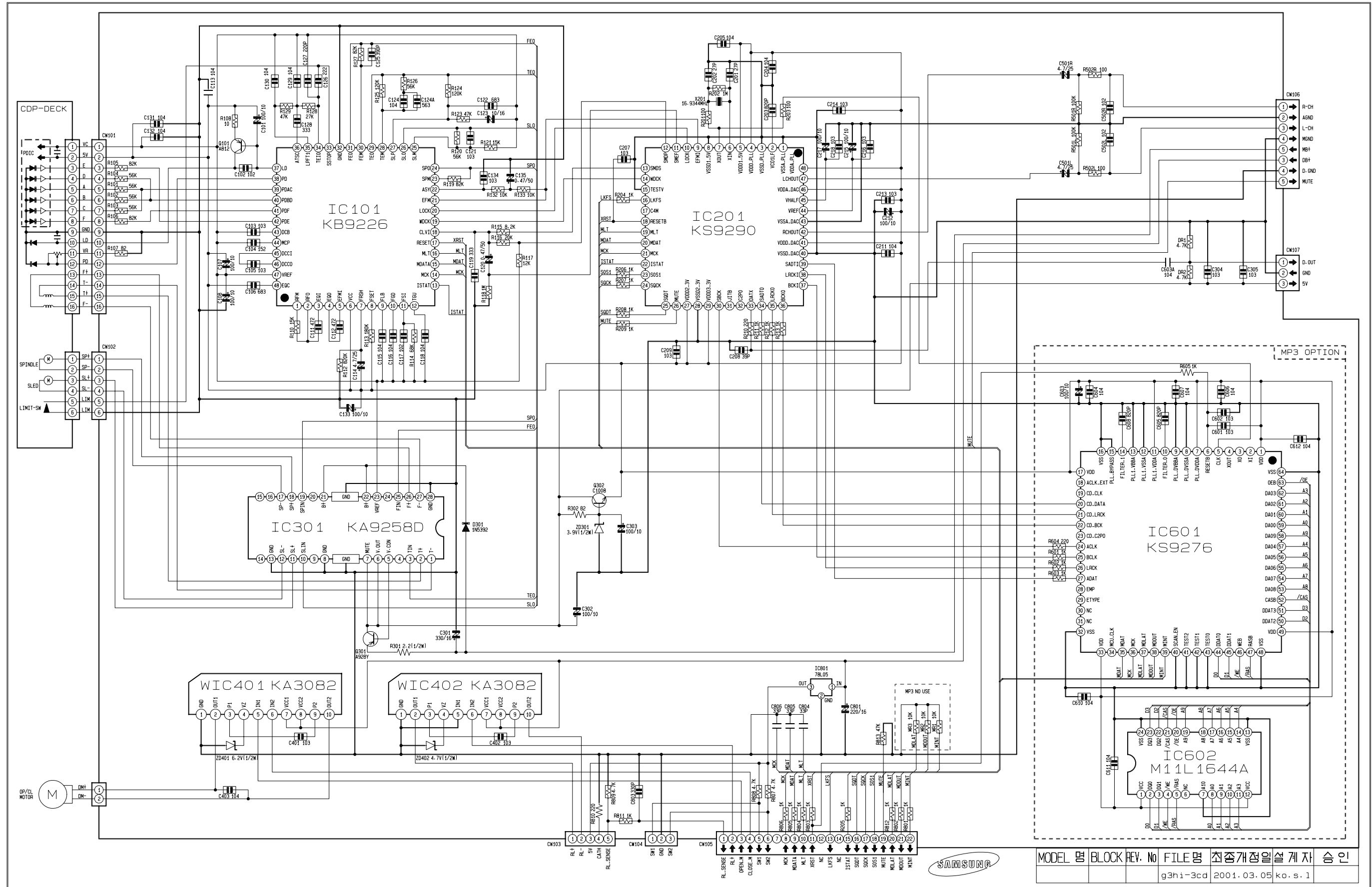
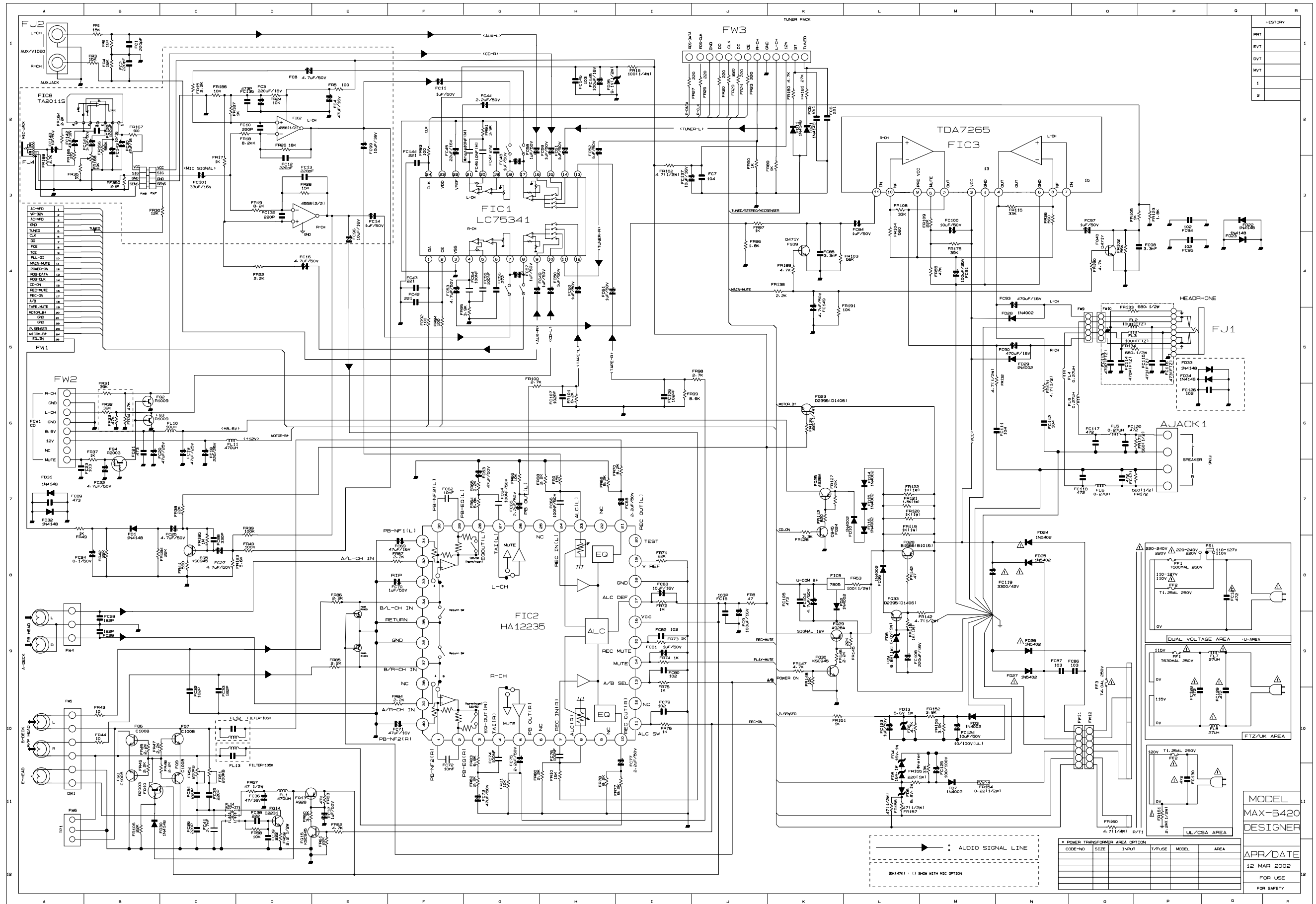


# 7. Schematic Diagram

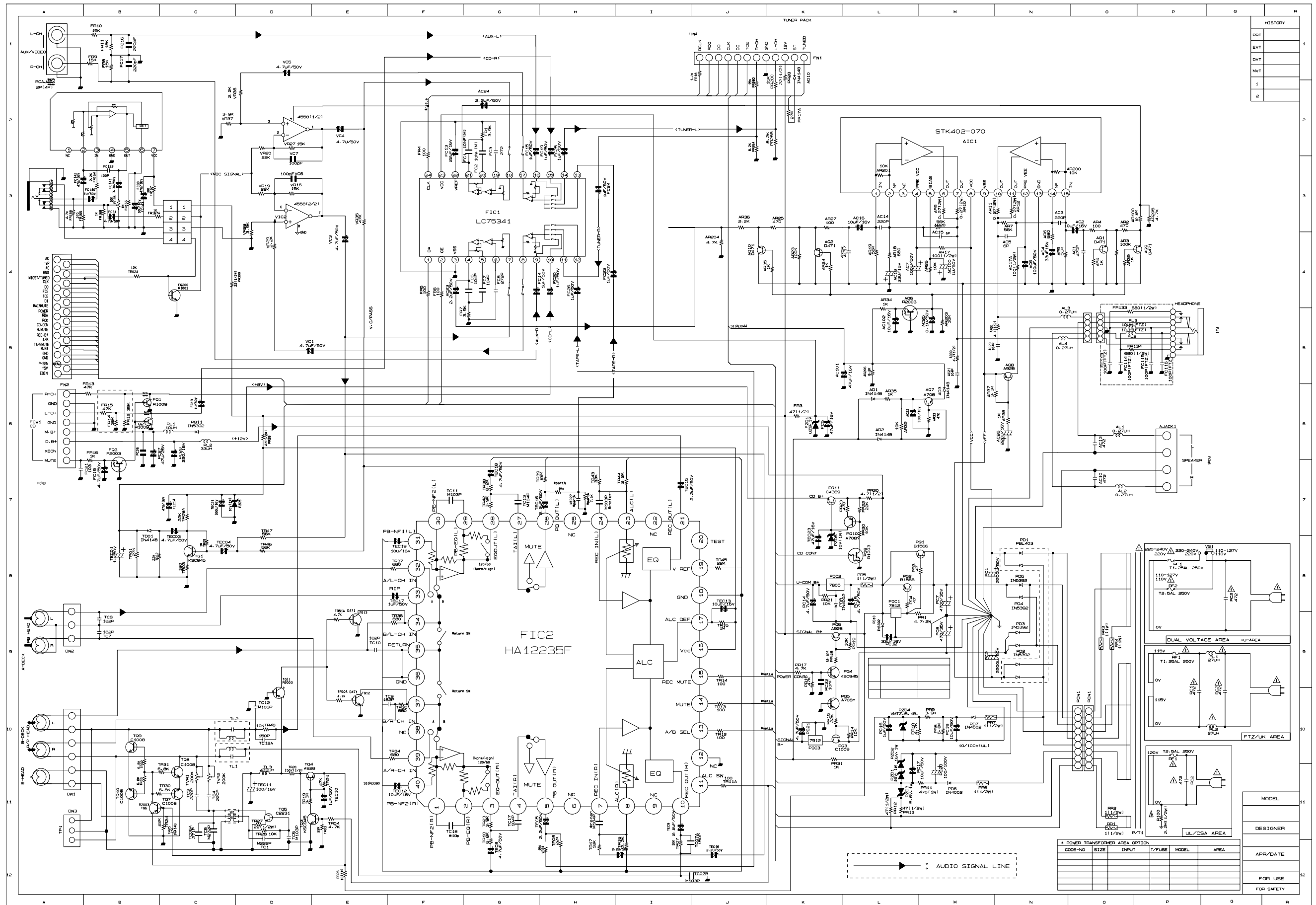
## 7-1 CD/MP3 Parts



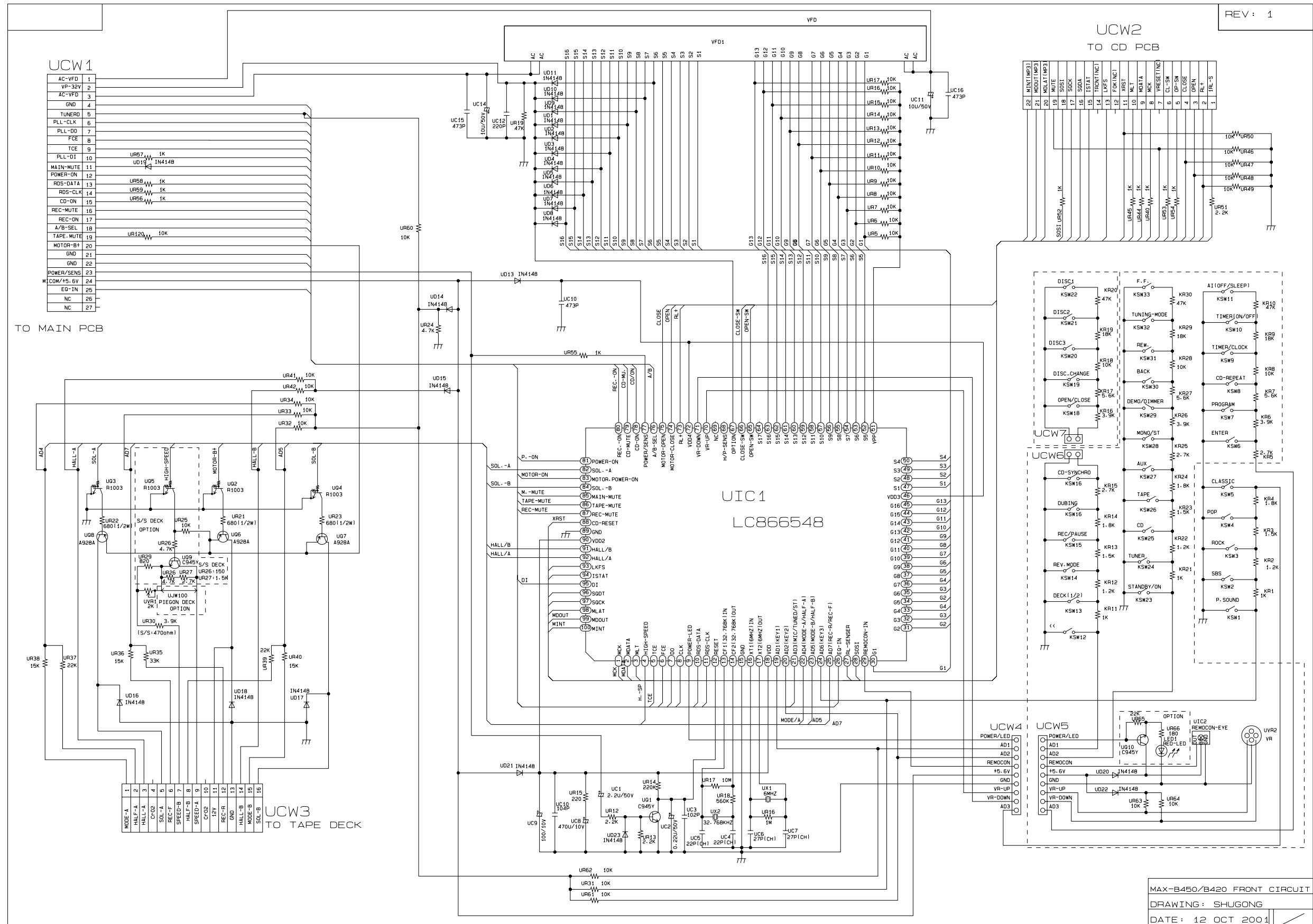
# 7-2 MAIN Part : MAX-B420



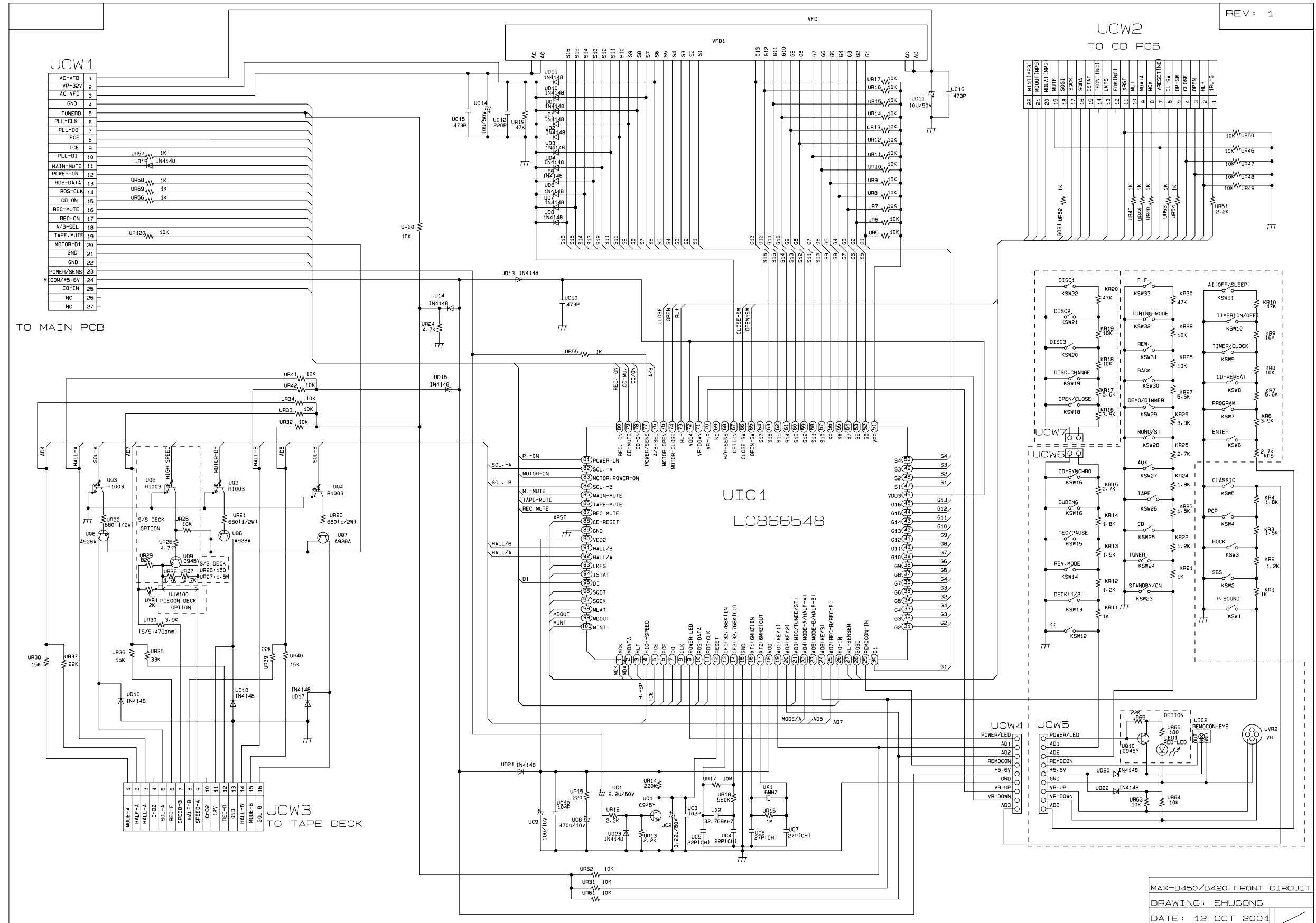
# 7-3 MAIN Part : MAX-B450/ZB450



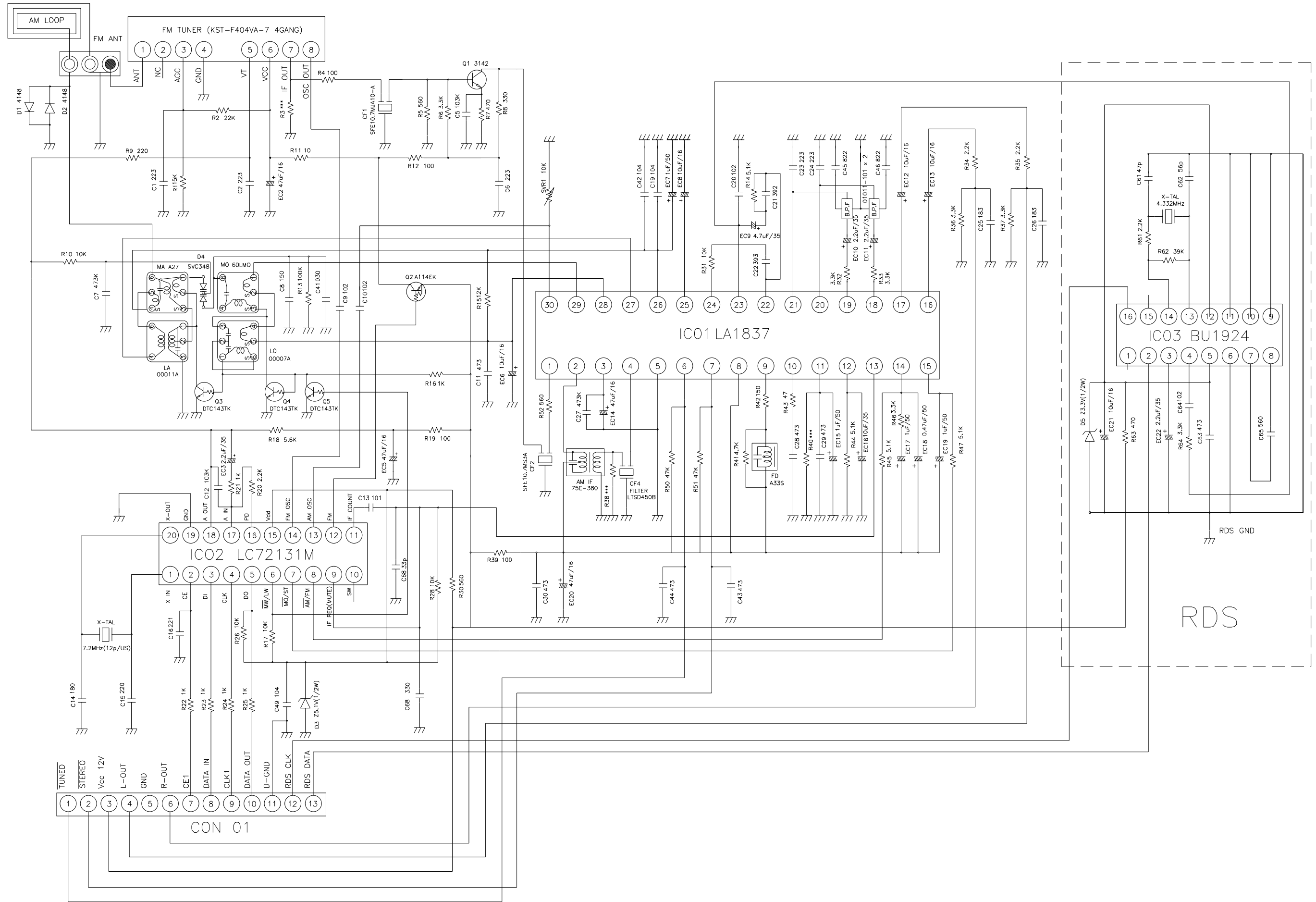
7-4 FRONT : MAX-B420



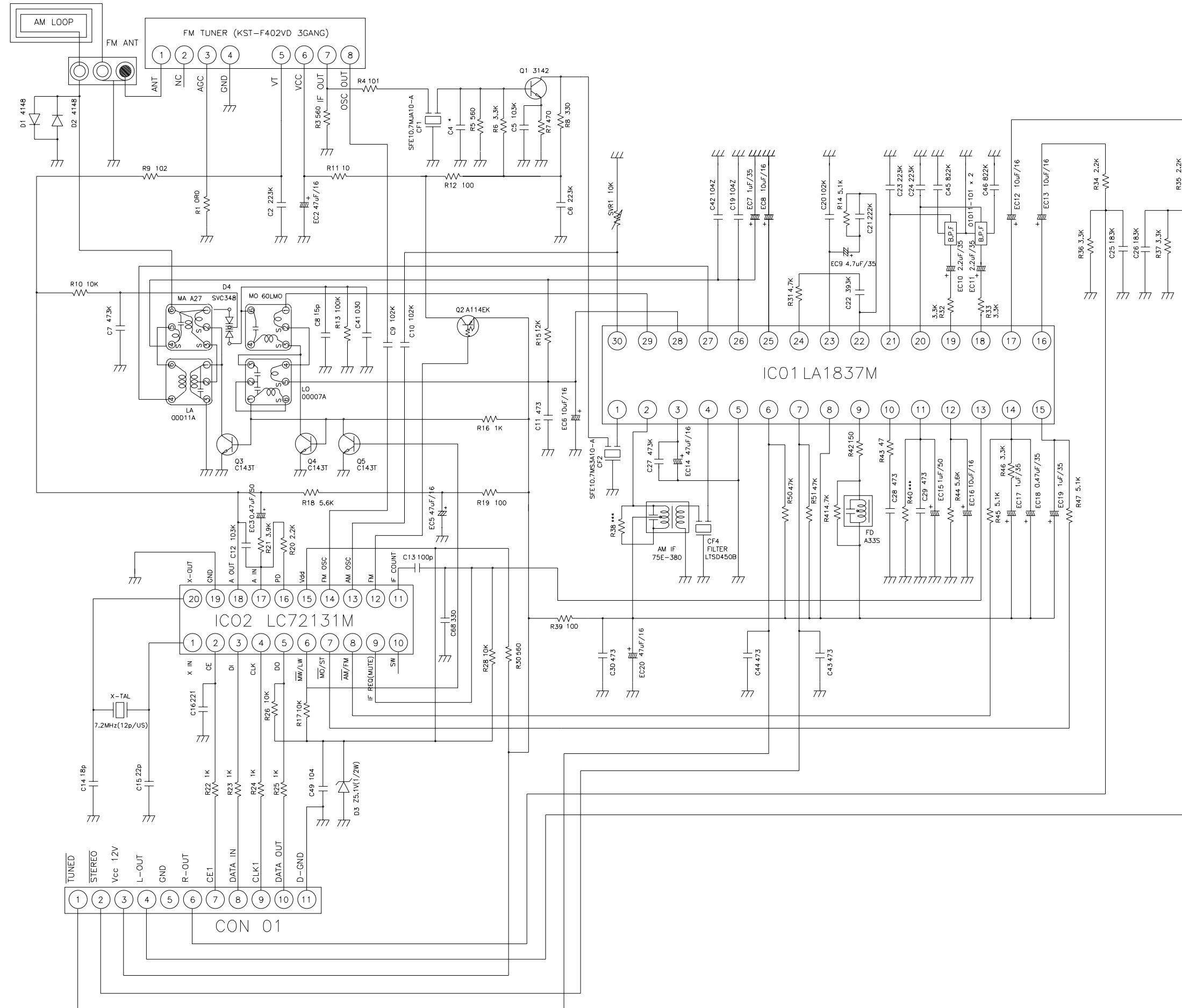
# 7-5 FRONT : MAX-B450/ZB450



# 7-6 TUNER(EURO)



# 7-7 TUNER(RUSIA)



# 7-8 TUNER(2BAND)

