



[CONTENTS]

○ SECTION 1. GENERAL

- SERVICING PRECAUTIONS 1-2
- ESD PRECAUTIONS 1-4
- SPECIFICATION 1-5

○ SECTION 2. ELECTRICAL SECTION

- ELECTRICAL TROUBLESHOOTING GUIDE 2-1
- INTERNAL BLOCK DIAGRAM of ICs 2-13
- BLOCK DIAGRAM 2-19
- SCHEMATIC DIAGRAMS 2-21
- WIRING DIAGRAM 2-35
- PRINTED CIRCUIT DIAGRAMS 2-37

○ SECTION 3. DVD PART ELECTRICAL

- DVD ELECTRICAL TROUBLESHOOTING GUIDE 3-1
- DVD SCHEMATIC DIAGRAMS 3-15
- DVD PRINTED CIRCUIT DIAGRAMS 3-23

○ SECTION 4. EXPLODED VIEWS

- CABINET AND MAIN FRAME SECTION 4-1
- TAPE DECK MECHANISM (A/R & A/S : RIGHT A/R DECK) 4-3
- TAPE DECK MECHANISM (A/R & A/S : LEFT A/S DECK) 4-5
- CD MECHANISM 4-7

○ SECTION 5. SPEAKER PART

- SPEAKER PART 5-1

○ SECTION 6. REPLACEMENT PARTS LIST

- REPLACEMENT PARTS LIST 6-1

SECTION 1. GENERAL

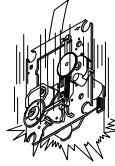
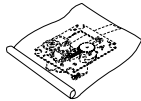
☐ SERVICING PRECAUTIONS

■ NOTES REGARDING HANDLING OF THE PICK-UP

1. Notes for transport and storage

- 1) The pick-up should always be left in its conductive bag until immediately prior to use.
- 2) The pick-up should never be subjected to external pressure or impact.

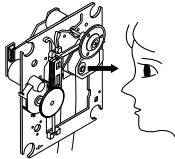
Storage in conductive bag



Drop impact

2. Repair notes

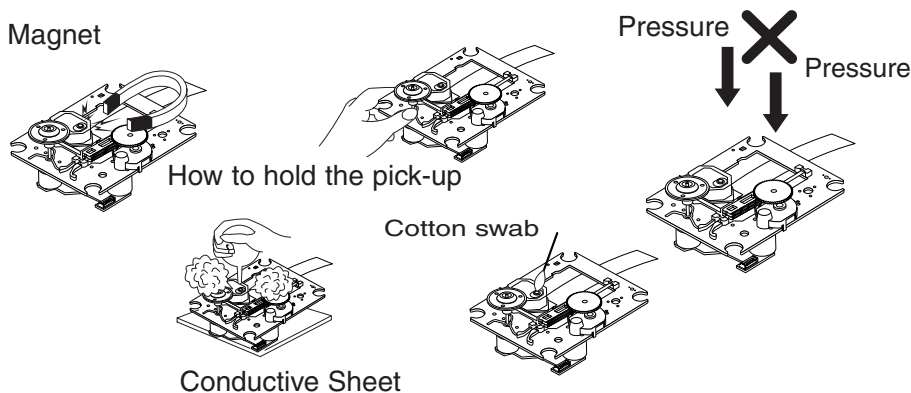
- 1) The pick-up incorporates a strong magnet, and so should never be brought close to magnetic materials.
- 2) The pick-up should always be handled correctly and carefully, taking care to avoid external pressure and impact. If it is subjected to strong pressure or impact, the result may be an operational malfunction and/or damage to the printed-circuit board.
- 3) Each and every pick-up is already individually adjusted to a high degree of precision, and for that reason the adjustment point and installation screws should absolutely never be touched.
- 4) Laser beams may damage the eyes!
Absolutely never permit laser beams to enter the eyes!
Also NEVER switch ON the power to the laser output part (lens, etc.) of the pick-up if it is damaged.



NEVER look directly at the laser beam, and don't let contact fingers or other exposed skin.

5) Cleaning the lens surface

If there is dust on the lens surface, the dust should be cleaned away by using an air bush (such as used for camera lens). The lens is held by a delicate spring. When cleaning the lens surface, therefore, a cotton swab should be used, taking care not to distort this.



6) Never attempt to disassemble the pick-up.

Spring by excess pressure. If the lens is extremely dirty, apply isopropyl alcohol to the cotton swab. (Do not use any other liquid cleaners, because they will damage the lens.) Take care not to use too much of this alcohol on the swab, and do not allow the alcohol to get inside the pick-up.

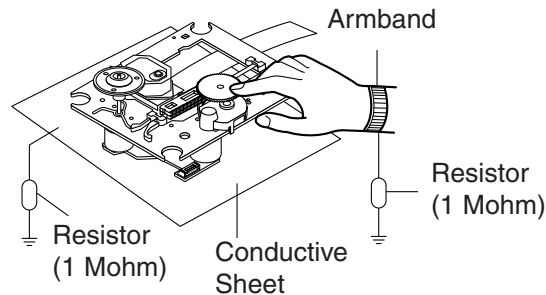
■ NOTES REGARDING COMPACT DISC PLAYER REPAIRS

1. Preparations

- 1) Compact disc players incorporate a great many ICs as well as the pick-up (laser diode). These components are sensitive to, and easily affected by, static electricity. If such static electricity is high voltage, components can be damaged, and for that reason components should be handled with care.
- 2) The pick-up is composed of many optical components and other high-precision components. Care must be taken, therefore, to avoid repair or storage where the temperature of humidity is high, where strong magnetism is present, or where there is excessive dust.

2. Notes for repair

- 1) Before replacing a component part, first disconnect the power supply lead wire from the unit
- 2) All equipment, measuring instruments and tools must be grounded.
- 3) The workbench should be covered with a conductive sheet and grounded.
When removing the laser pick-up from its conductive bag, do not place the pick-up on the bag. (This is because there is the possibility of damage by static electricity.)
- 4) To prevent AC leakage, the metal part of the soldering iron should be grounded.
- 5) Workers should be grounded by an armband (1M Ω)
- 6) Care should be taken not to permit the laser pick-up to come in contact with clothing, in order to prevent static electricity changes in the clothing to escape from the armband.
- 7) The laser beam from the pick-up should NEVER be directly facing the eyes or bare skin.

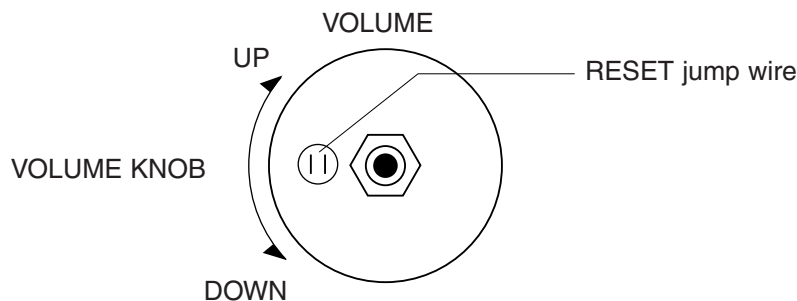


CLEARING MALFUNCTION

You can reset your unit to initial status if malfunction occur(button malfunction, display, etc.). Using a pointed good conductor(such as driver), simply short the RESET jump wire on the inside of the volume knob for more than 3 seconds.

If you reset your unit, you must reenter all its settings(stations, clock, timer)

- NOTE:** 1. To operate the RESET jump wire, pull the volume rotary knob and release it.
2. If you wish to operate the RESET jump wire, it is necessary to unplug the power cord.



□ ESD PRECAUTIONS

■ Electrostatically Sensitive Devices (ESD)



Some semiconductor (solid state) devices can be damaged easily by static electricity. Such components commonly are called Electrostatically Sensitive Devices (ESD). Examples of typical ESD devices are integrated circuits and some field-effect transistors and semiconductor chip components. The following techniques should be used to help reduce the incidence of component damage caused by static electricity.

1. Immediately before handling any semiconductor component or semiconductor-equipped assembly, drain off any electrostatic charge on your body by touching a known earth ground. Alternatively, obtain and wear a commercially available discharging wrist strap device, which should be removed for potential shock reasons prior to applying power to the unit under test.
2. After removing an electrical assembly equipped with ESD devices, place the assembly on a conductive surface such as aluminum foil, to prevent electrostatic charge buildup or exposure of the assembly.
3. Use only a grounded-tip soldering iron to solder or unsolder ESD devices.
4. Use only an anti-static solder removal device. Some solder removal devices not classified as "anti-static" can generate electrical charges sufficient to damage ESD devices.
5. Do not use freon-propelled chemicals. These can generate electrical charges sufficient to damage ESD devices.
6. Do not remove a replacement ESD device from its protective package until immediately before you are ready to install it. (Most replacement ESD devices are packaged with leads electrically shorted together by conductive foam, aluminum foil or comparable conductive materials).
7. Immediately before removing the protective material from the leads of a replacement ESD device, touch the protective material to the chassis or circuit assembly into which the device will be installed.

CAUTION : BE SURE NO POWER IS APPLIED TO THE CHASSIS OR CIRCUIT, AND OBSERVE ALL OTHER SAFETY PRECAUTIONS.

8. Minimize bodily motions when handing unpackaged replacement ESD devices. (Otherwise harmless motion such as the brushing together of your clothes fabric or the lifting of your foot from a carpeted floor can generate static electricity sufficient to damage an ESD device).

CAUTION. GRAPHIC SYMBOLS

	THE LIGHTNING FLASH WITH APROWHEAD SYMBOL. WITHIN AN EQUILATERAL TRIANGLE, IS INTENDED TO ALERT THE SERVICE PERSONNEL TO THE PRESENCE OF UNINSULATED "DANGEROUS VOLTAGE" THAT MAY BE OF SUFFICIENT MAGNITUDE TO CONSTITUTE A RISK OF ELECTRIC SHOCK.
	THE EXCLAMATION POINT WITHIN AN EQUILATERAL TRIANGLE IS INTENDED TO ALERT THE SERVICE PERSONNEL TO THE PRESENCE OF IMPORTANT SAFETY INFORMATION IN SERVICE LITERATURE.

□ SPECIFICATIONS

General

Power supply	Refer to the main label.
Power consumption	90 W
Net Weight	6.5 kg
External dimensions (W x H x D)	272 X 322 X 354 mm

Tuner/Amplifier

FM Tuning Range	87.5 - 108.0 MHz or 65 -74 MHz, 87.5 -108.0 MHz
Intermediate Frequency	10.7 MHz
Signal to Noise Ratio	60/55 dB (Mono/Stereo)
Frequency Response	140 - 10000 Hz
AM Tuning Range	522 - 1620 kHz or 520 - 1720 kHz
Intermediate Frequency	450 kHz
Signal to Noise Ratio	30 dB
Frequency Response	140 - 1800 Hz
Output Power	Front: 130 W + 130 W (4 Ω, THD 10 %) Center: 60 W (8 Ω, THD 10%) Rear: 60 W + 60 W (8 Ω, THD 10 %) Subwoofer: 180 W (3 Ω, THD 10 %) - LM-K7960Q model
T.H.D	0.5 %
Frequency Response	140 - 20000 Hz
Signal-to-noise ratio	75 dB

DVD/VCD/CD player

Frequency response (audio)	40 - 20000 Hz
Signal-to-noise ratio (audio)	More than 75 dB (1 kHz)
Signal-to-noise ratio (video)	More than 55 dB (1 kHz)
Dynamic range (audio)	More than 80 dB
Video output	1.0 V (p-p), 75Ω
S-video output	(Y) 1.0 V (p-p), 75Ω (C) 0.3 V (p-p), 75Ω
Component Video output	(Y) 1.0 V (p-p), 75Ω (Pb)/(Pr) 0.7 V (p-p), 75Ω

Cassette tape player

Tape Speed	3000 ± 3 % (MTT-111.) NORMAL-SPEED)
Wow Flutter	0.25 % (TT -111, JIS-WTD)
F.F/REW. Time	120 sec (C-60)
Frequency Response	250 - 8000 Hz
Signal to Noise Ratio	43 dB
Channel Separation	50 dB (P/B)/45 dB (R/P)
Erase Ratio	55 dB (MTT-5511)

Speakers

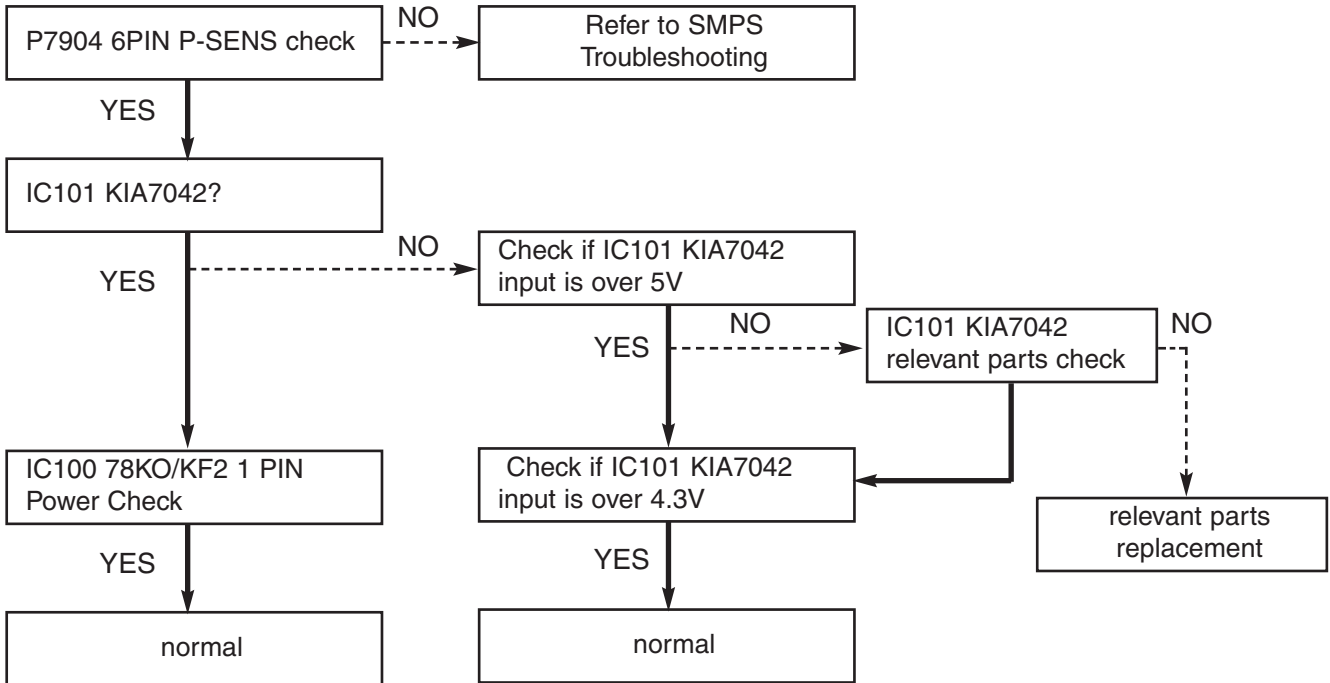
Speaker Name	Front Speaker (L/R)	Center Speaker
Type	Bass Reflex 2Way 3Speaker	Bass Reflex 2Way 3Speaker
Impedance	4Ω	8Ω
Frequency Response	55 - 20000 Hz	130 - 20000 Hz
Sound Pressure Level	86 dB/W (1m)	84 dB/W (1m)
Rated Input Power	130 W	60 W
Max. Input Power	260 W	120 W
Net Dimensions (W x H x D)	214 X 386 X 318 mm	310 X 115 X 136 mm
Net Weight	6.3 kg	1.5 kg

Speaker Name	Rear Speaker (L/R)
Type	Bass Reflex 2Way 2Speaker
Impedance	8Ω
Frequency Response	60 - 20000 Hz
Sound Pressure Level	83 dB/W (1m)
Rated Input Power	60 W
Max. Input Power	120 W
Net Dimensions (W x H x D)	194 X 325 X 280 mm
Net Weight	3.6 kg

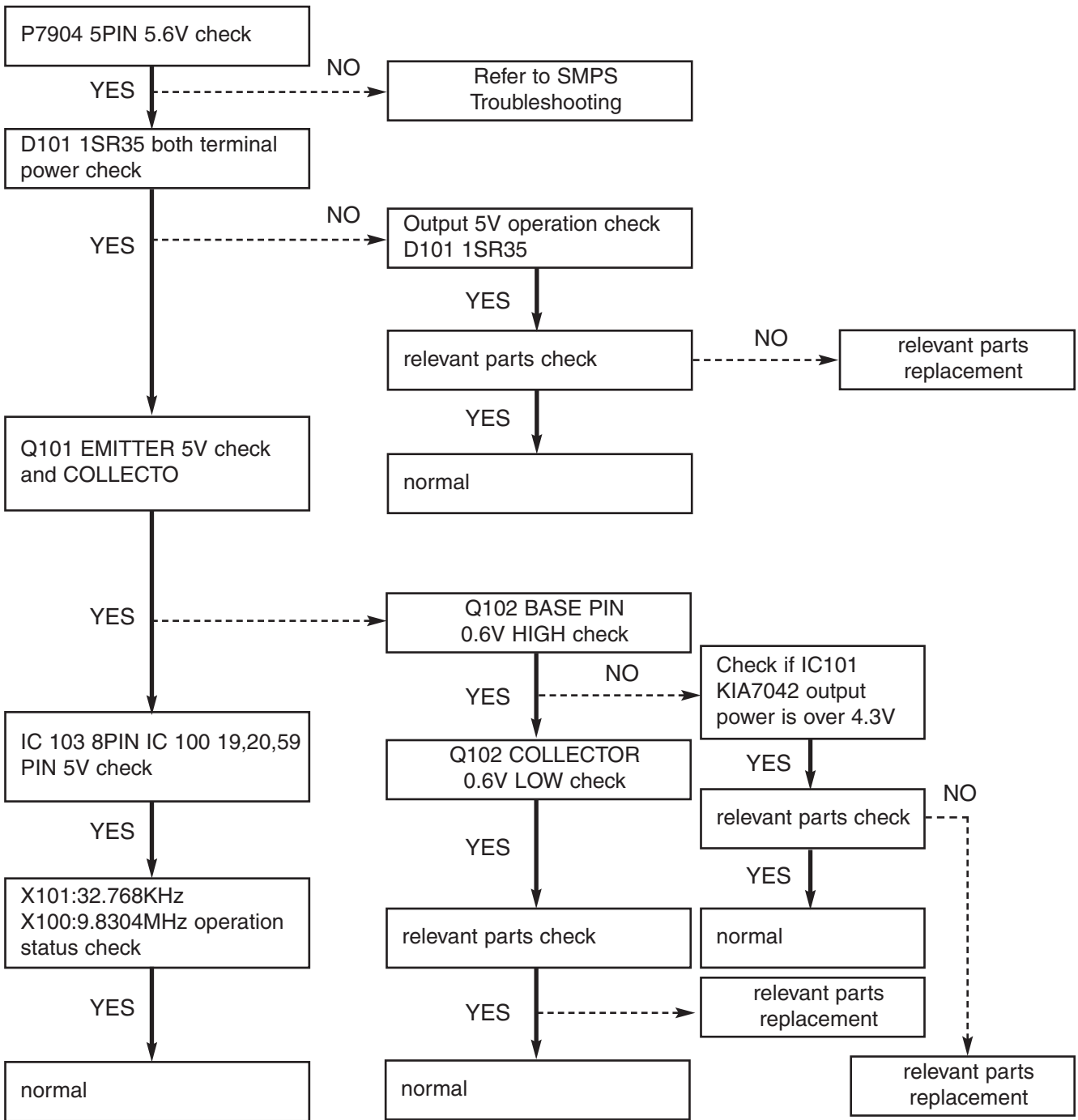
SECTION 2. ELECTRICAL SECTION

□ ELECTRICAL TROUBLESHOOTING GUIDE

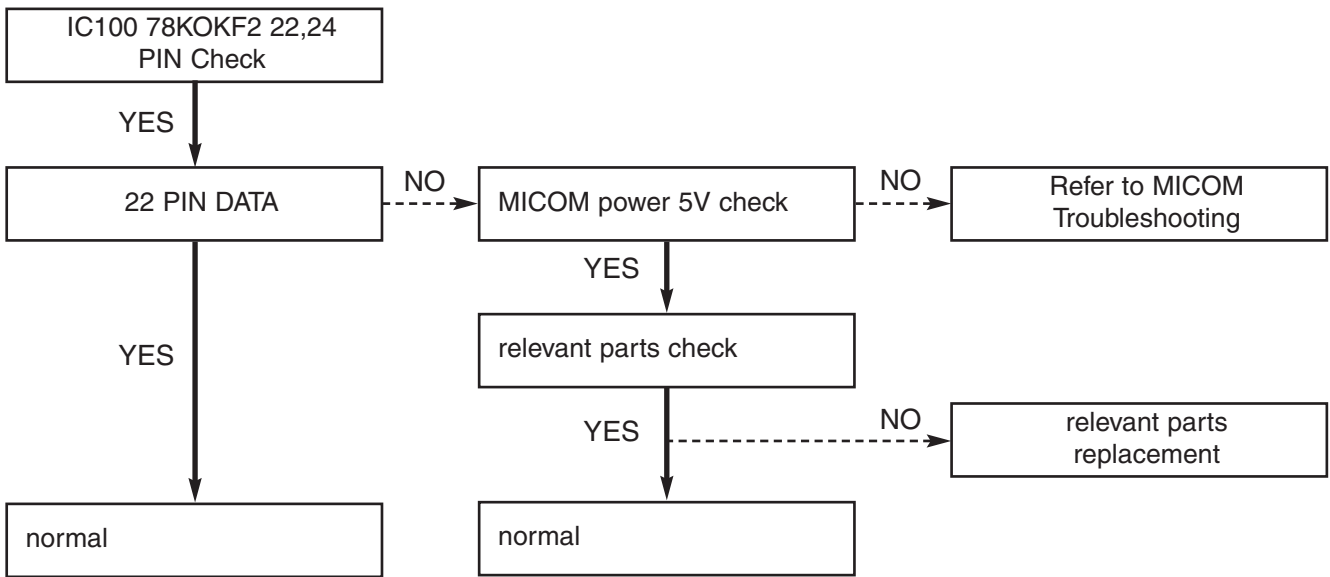
■ MICOM PART CHECK I



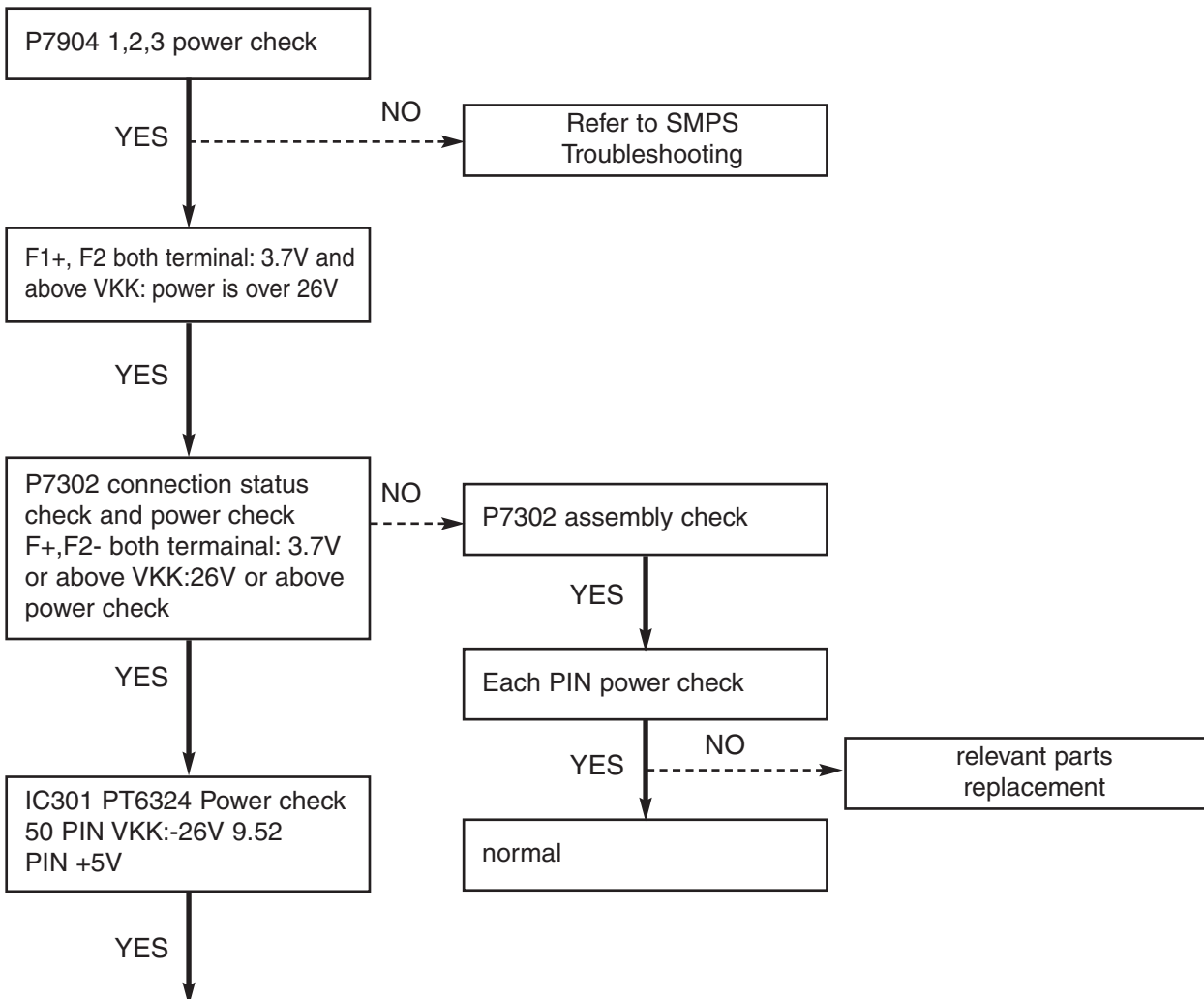
■ MICOM PART CHECK II

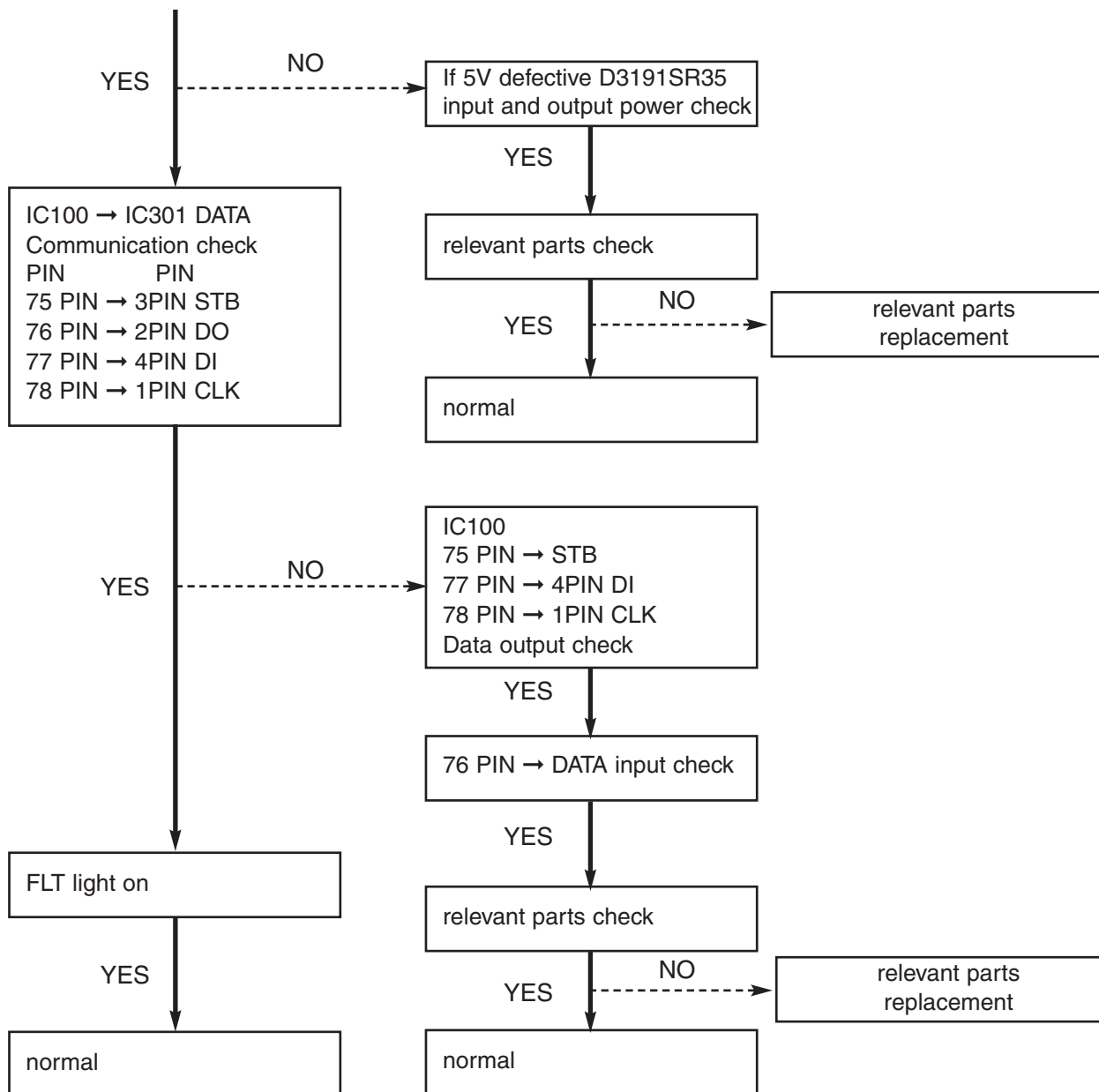


■ IC103 KS4CD21CS CHECK

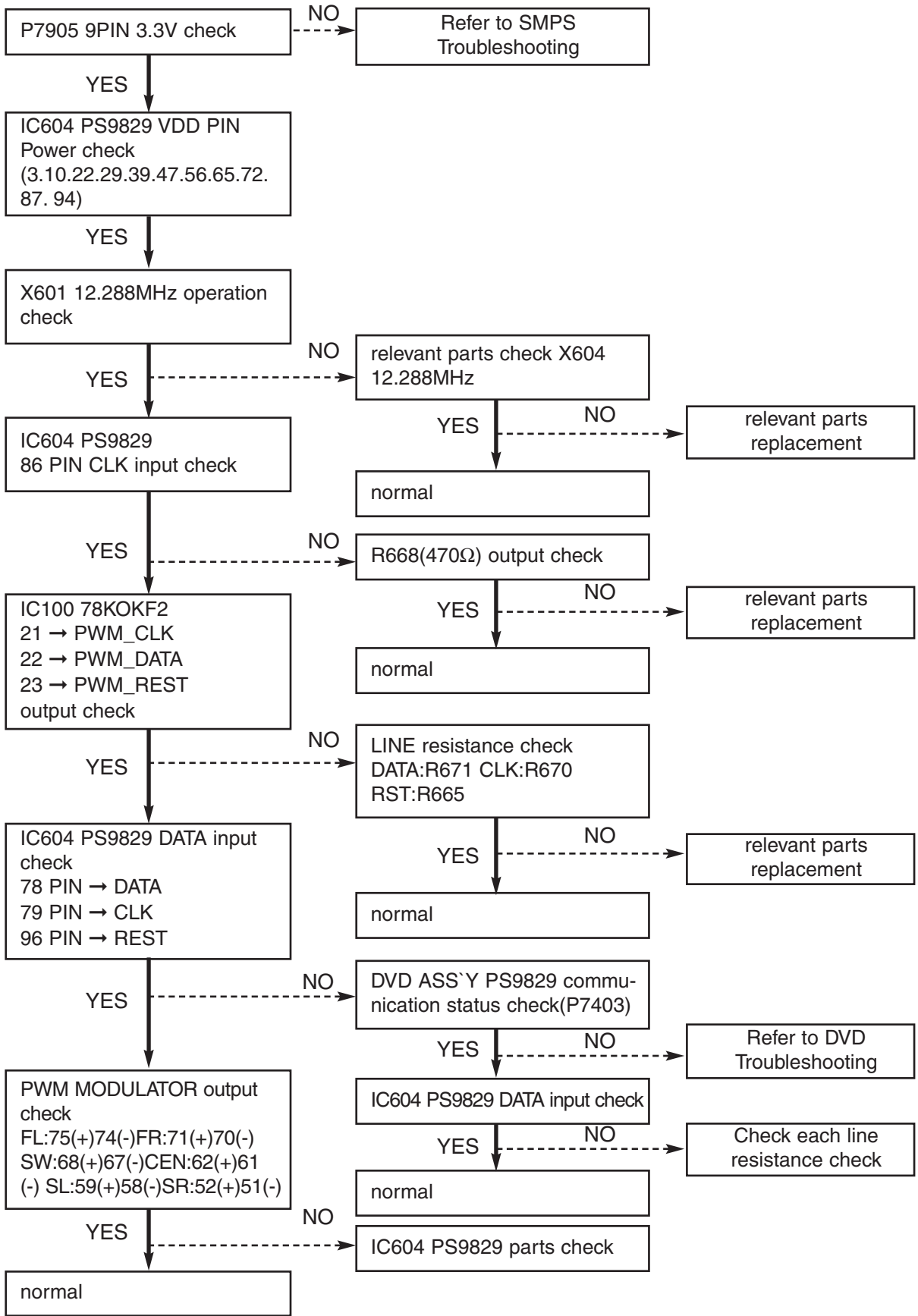


■ FLD DISPLAY CHECK

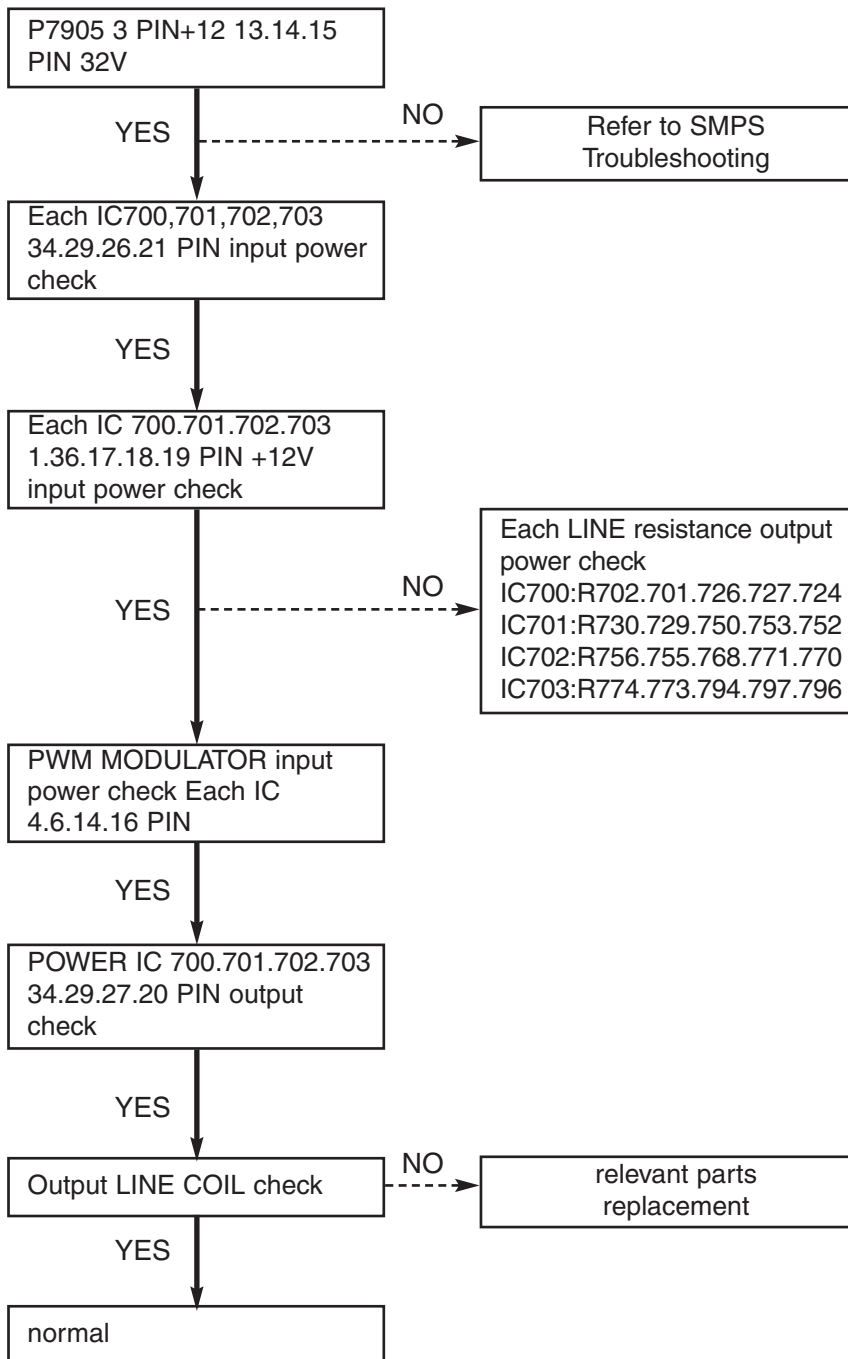




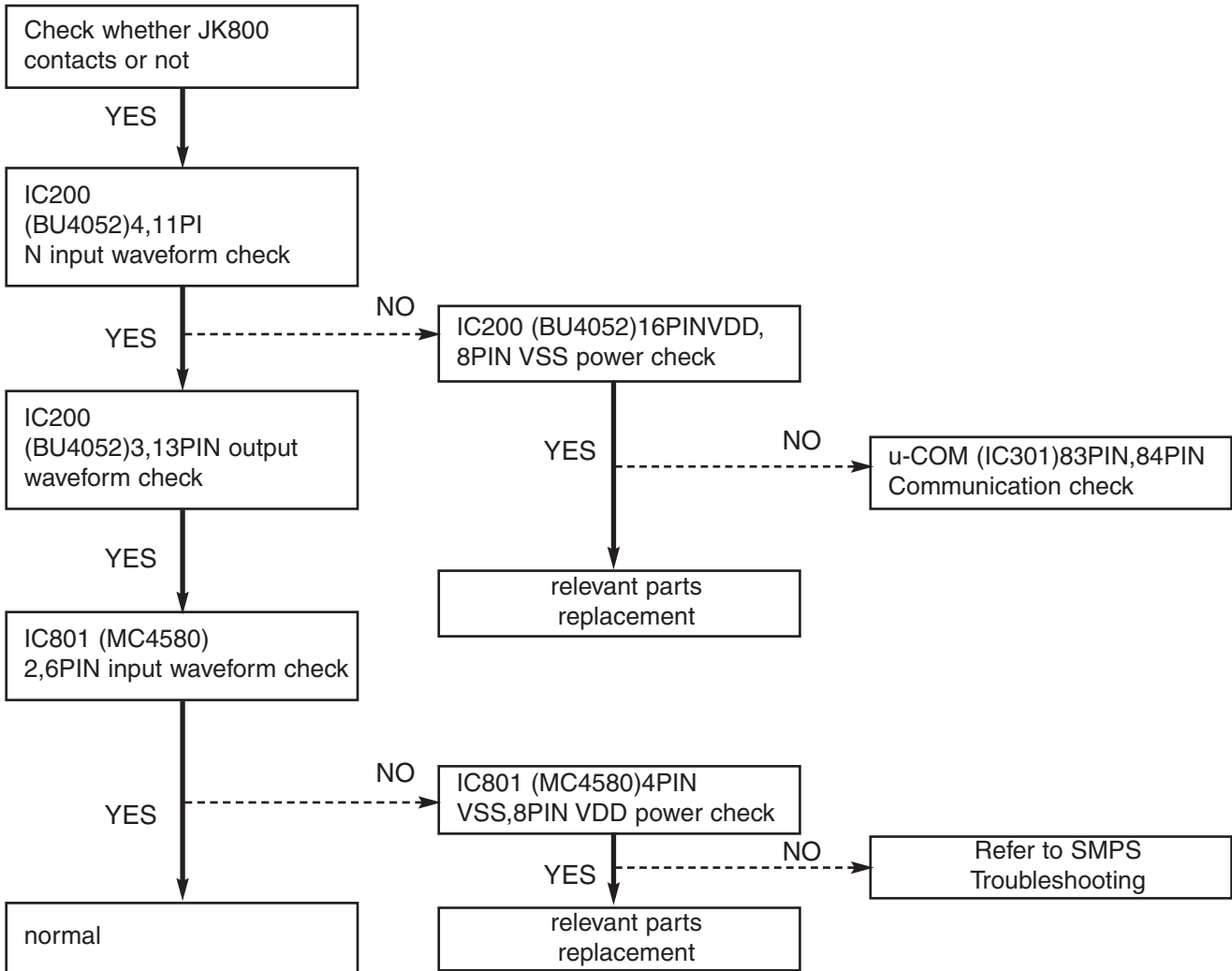
■ PWM ALTERATION PART CHECK



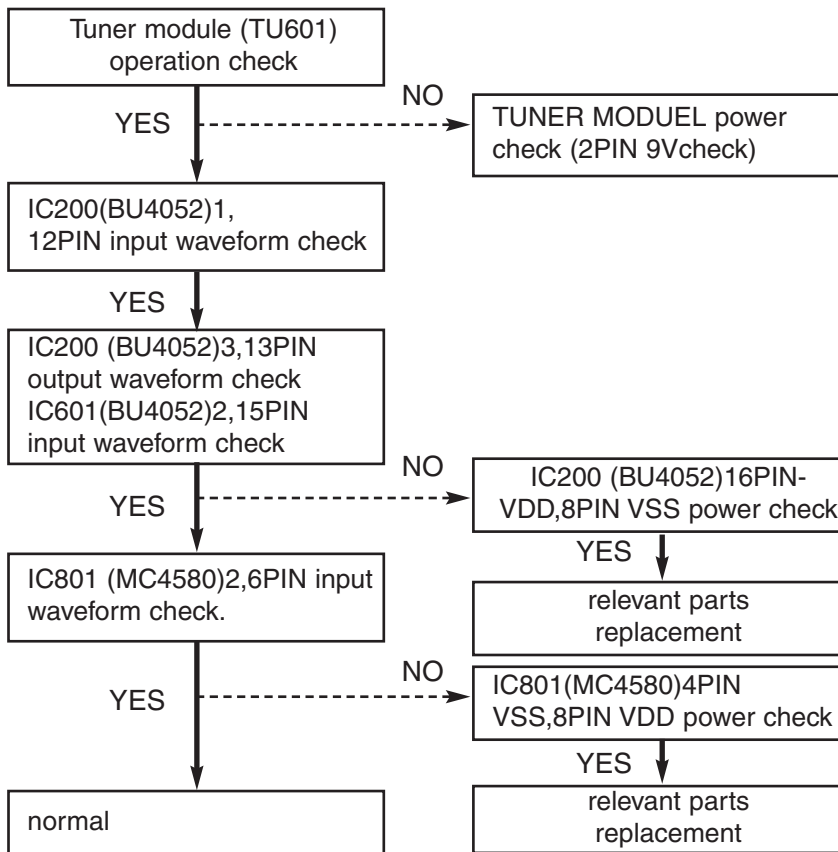
■ POWER AMP PART CHECK



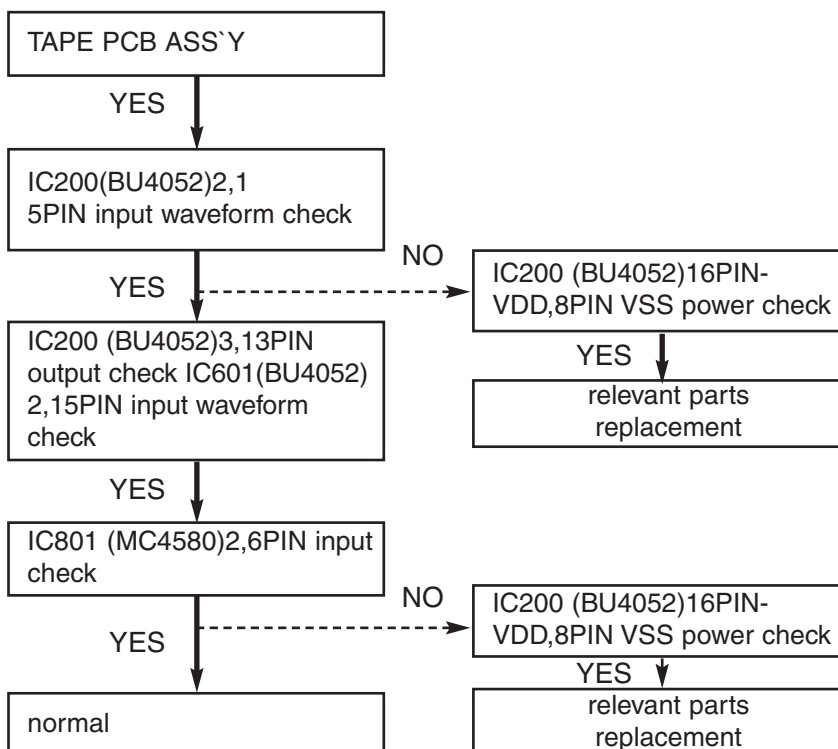
■ AUX FUNCTION



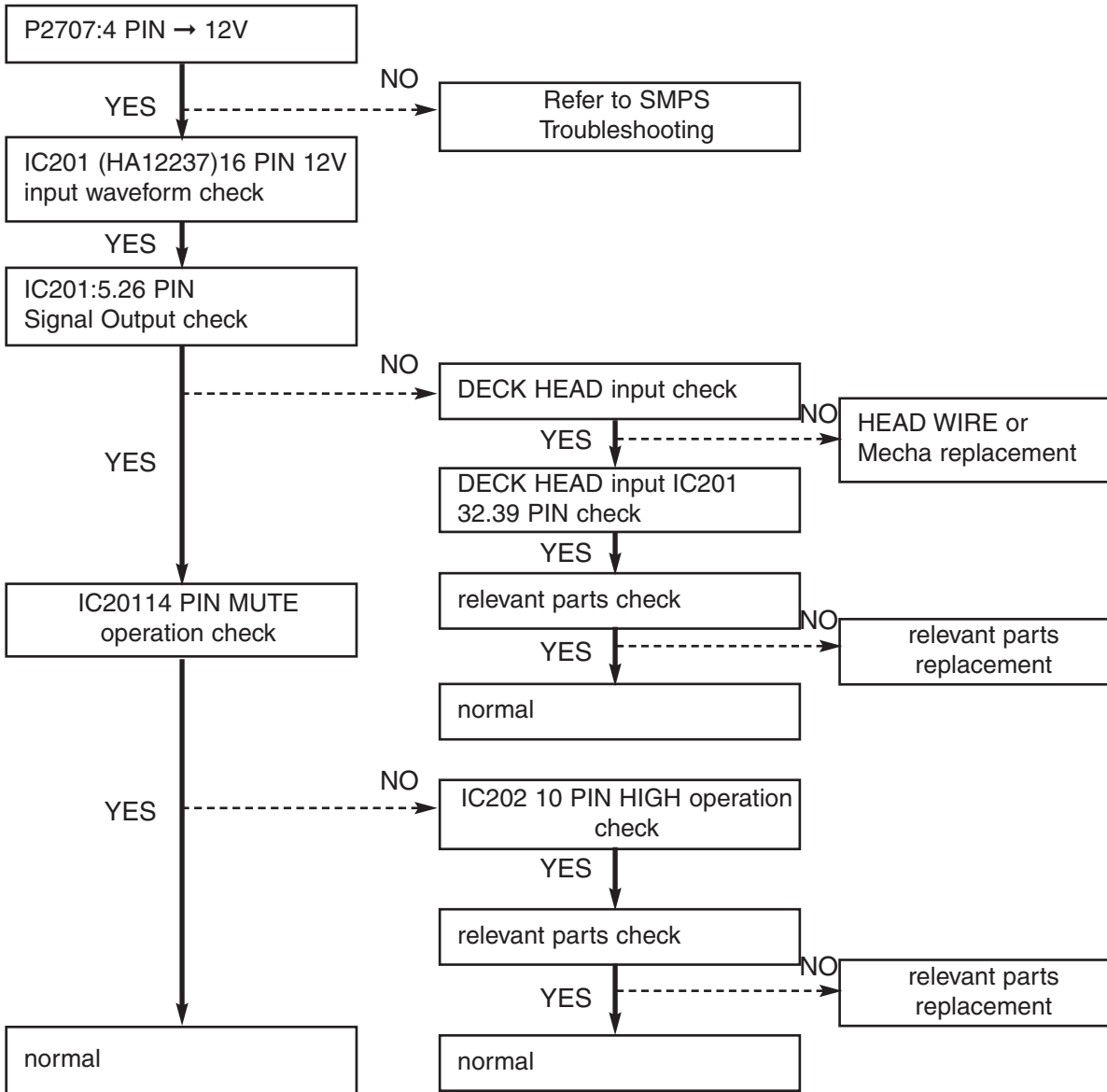
■ TUNER FUNCTION CHECK



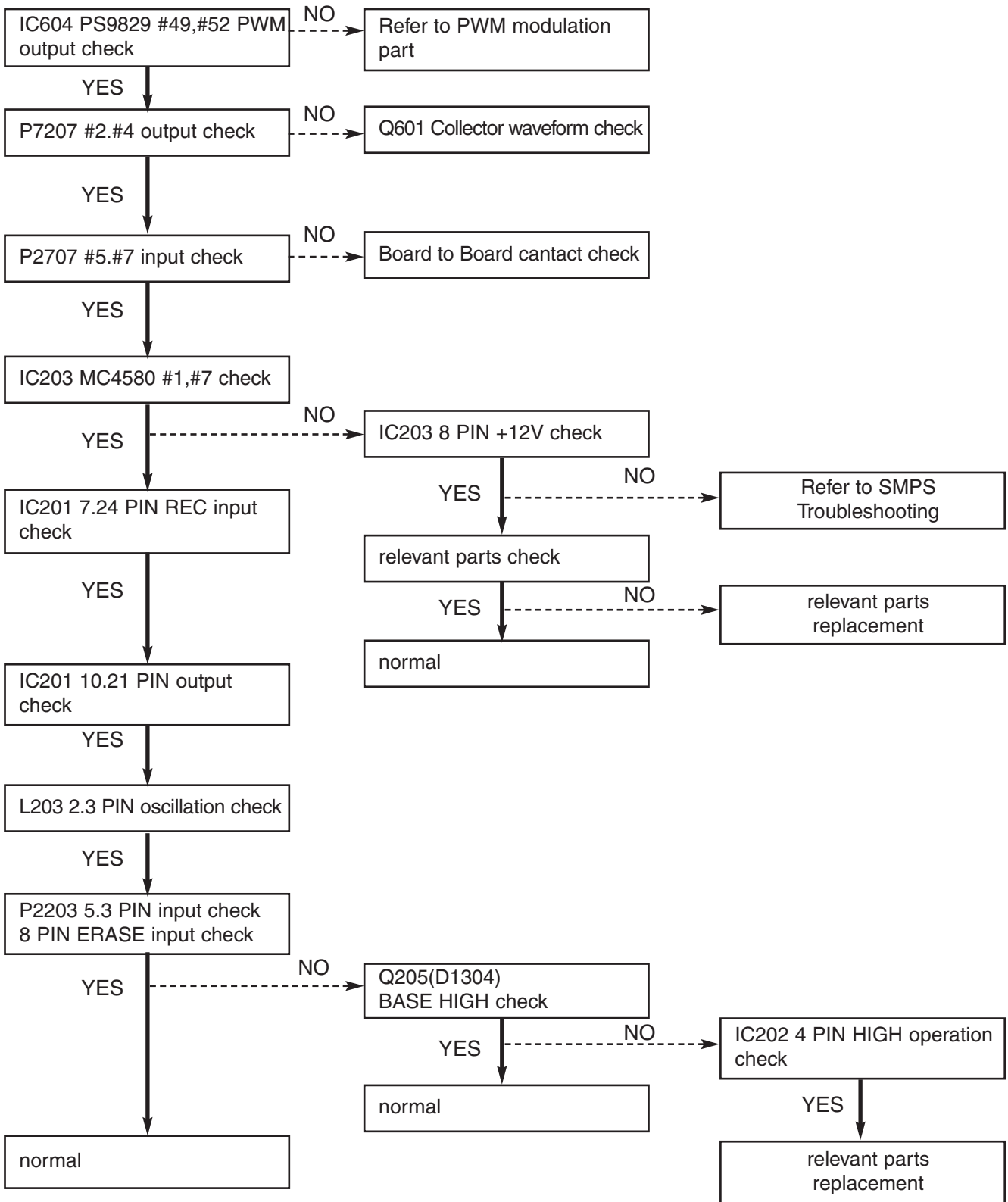
■ TAPE FUNCTION CHECK



■ TAPE PLAY PART CHECK

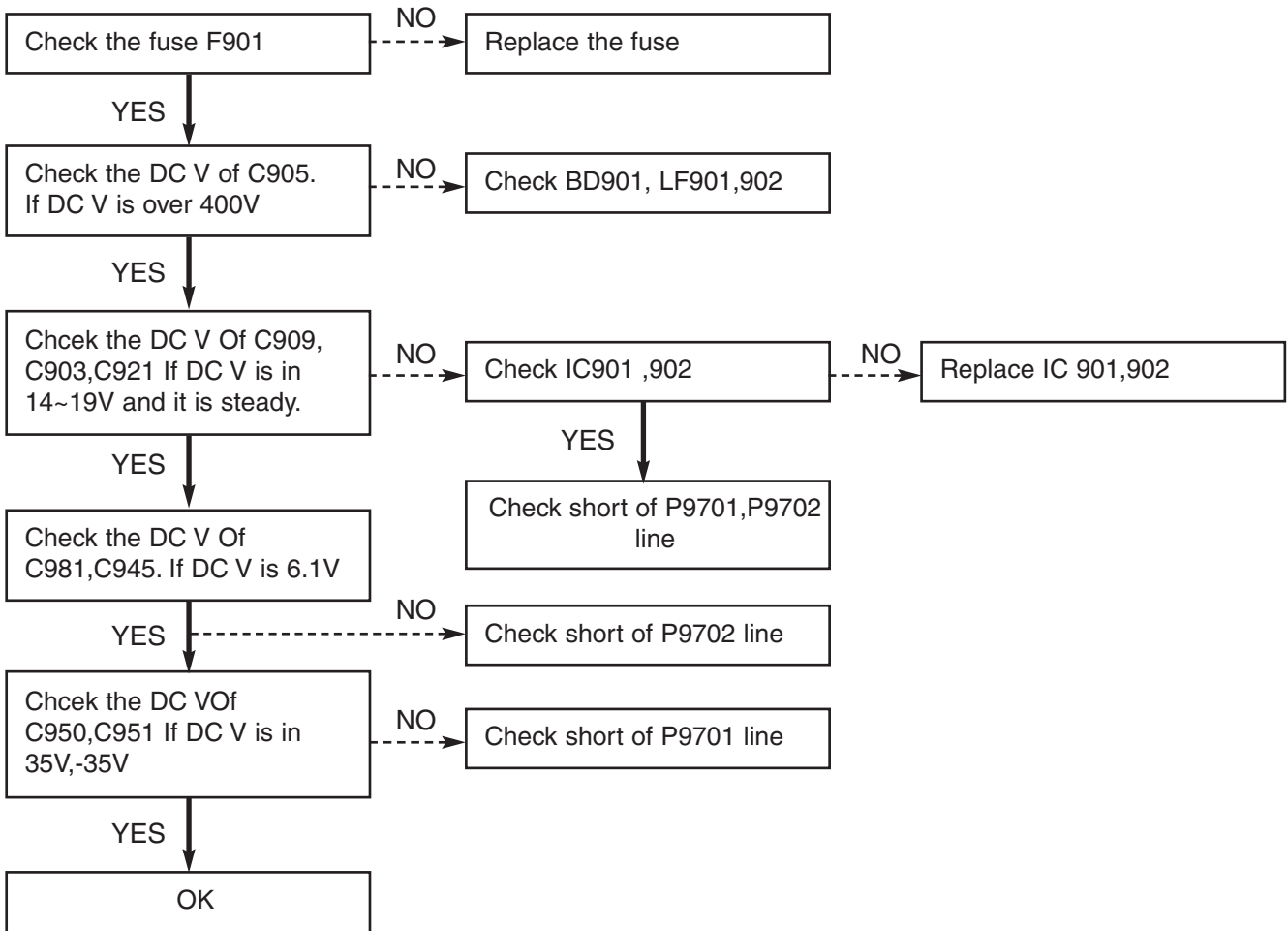


■ TAPE REC PART CHECK

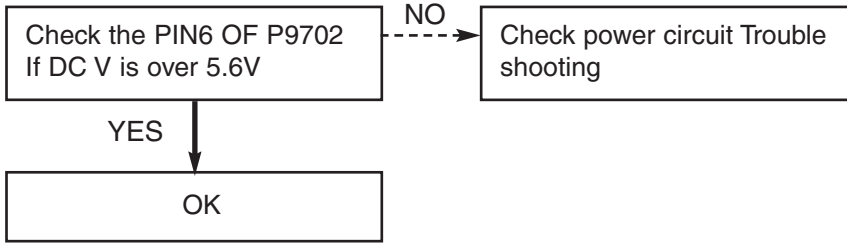


■ SMPS POWER CIRCUIT

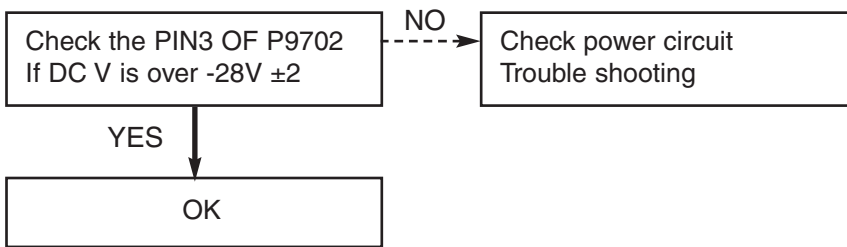
*MAIN PART



***P-SENS PART**

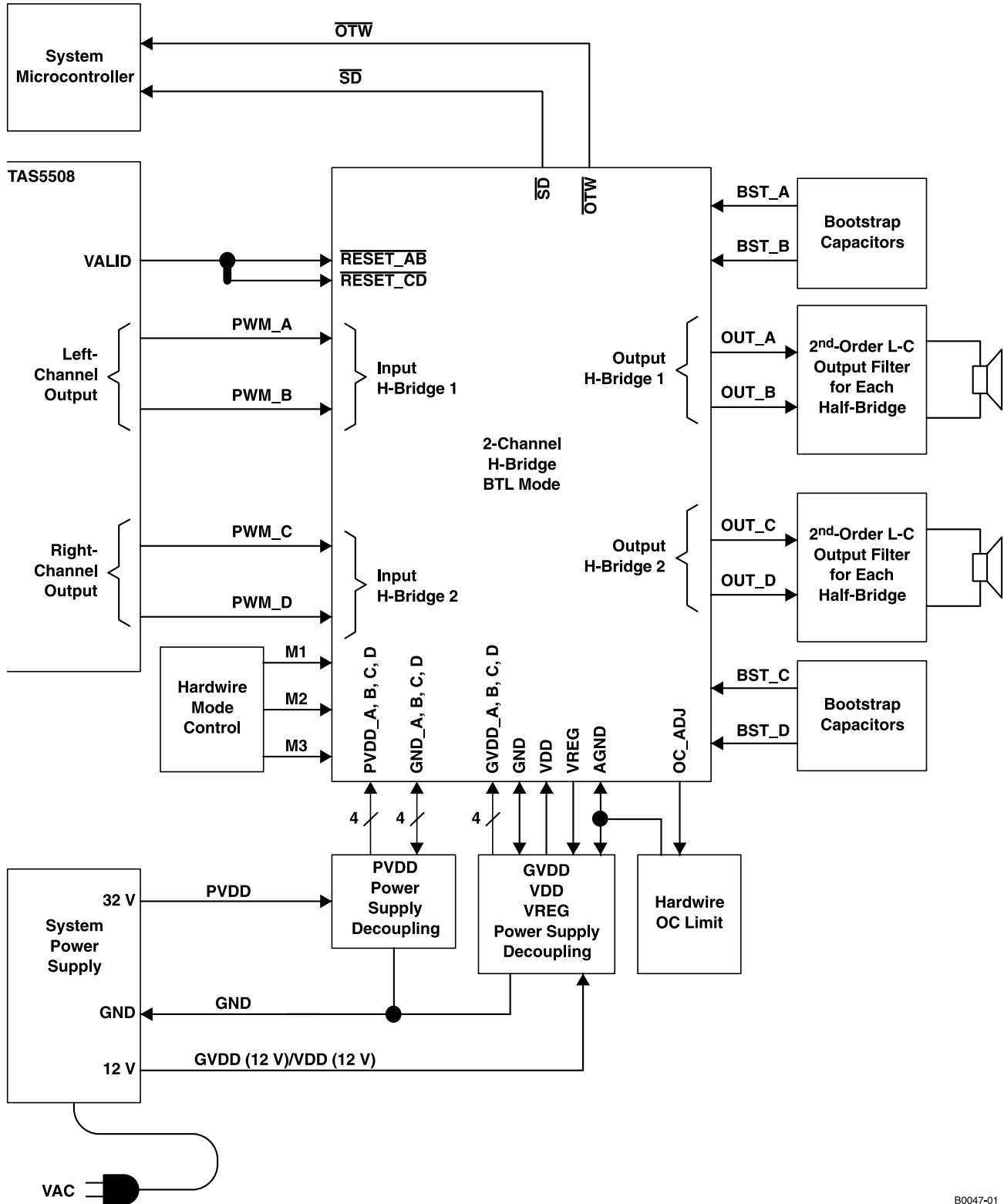


***VKK PART**

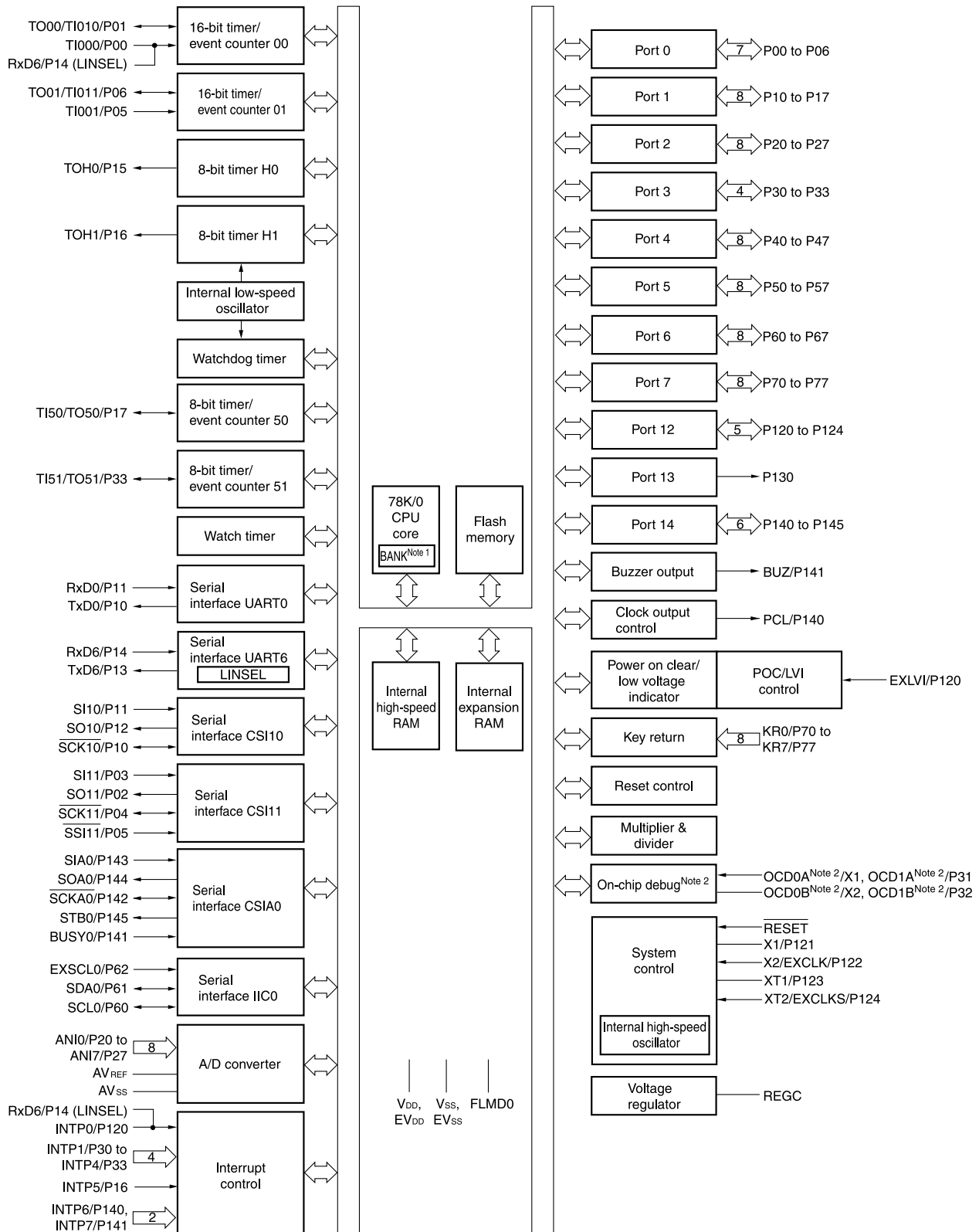


INTERNAL BLOCK DIAGRAM of ICs

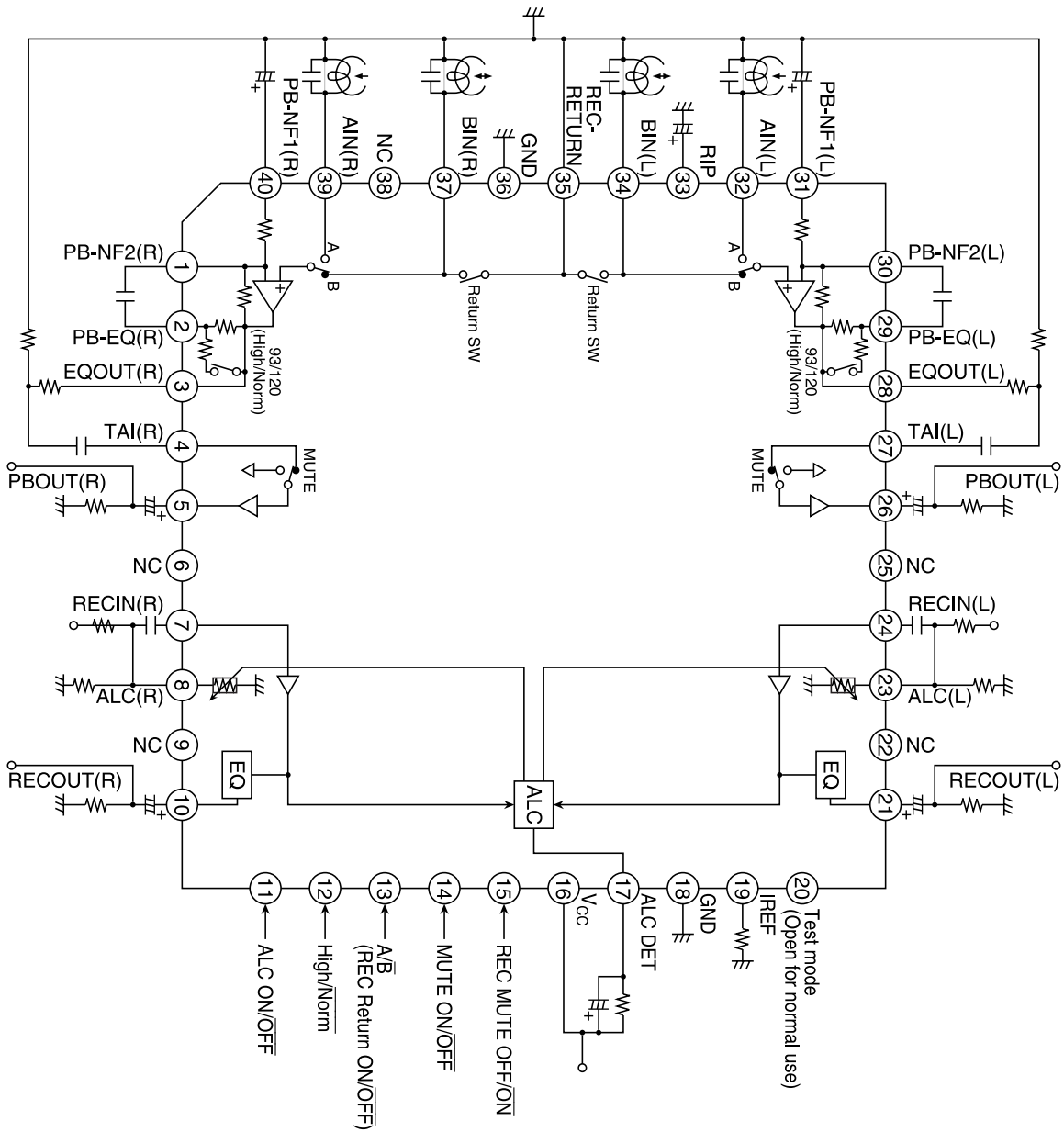
• TAS5142 BLOCK DIAGRAM



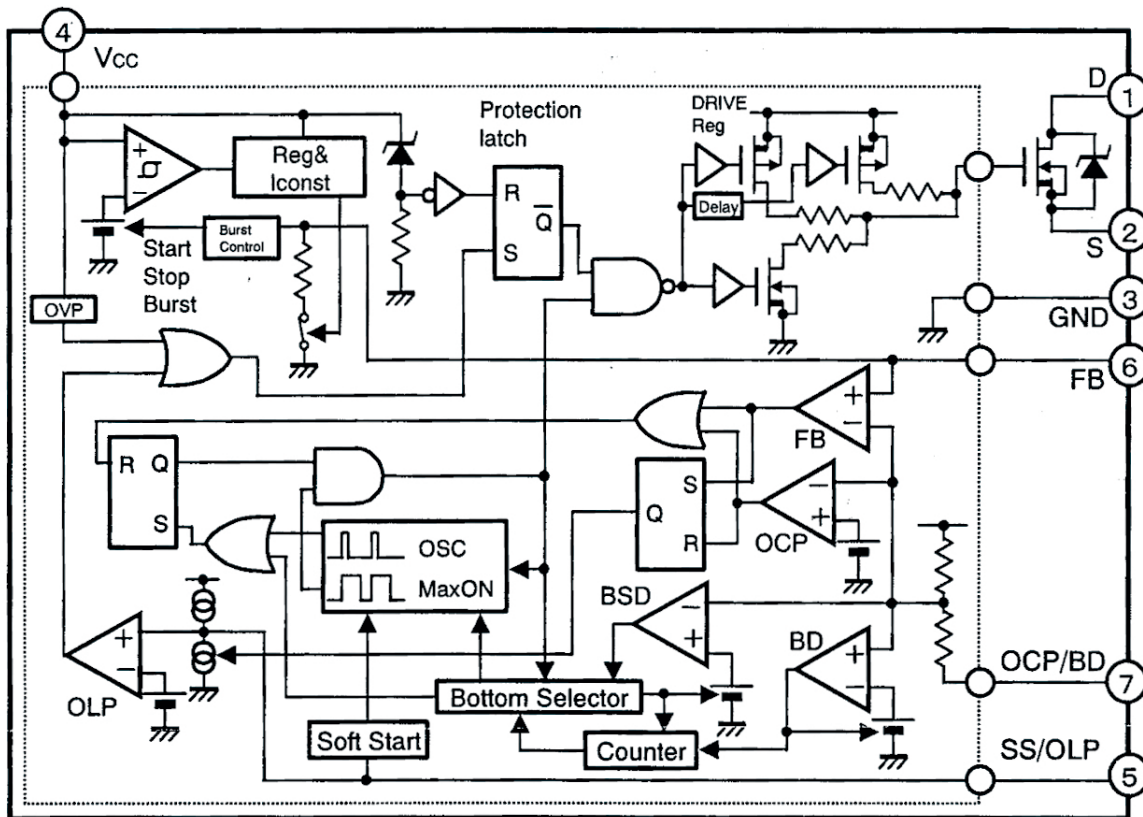
• U1739EJ2V1UD00/KF2_E
BLOCK DIAGRAM



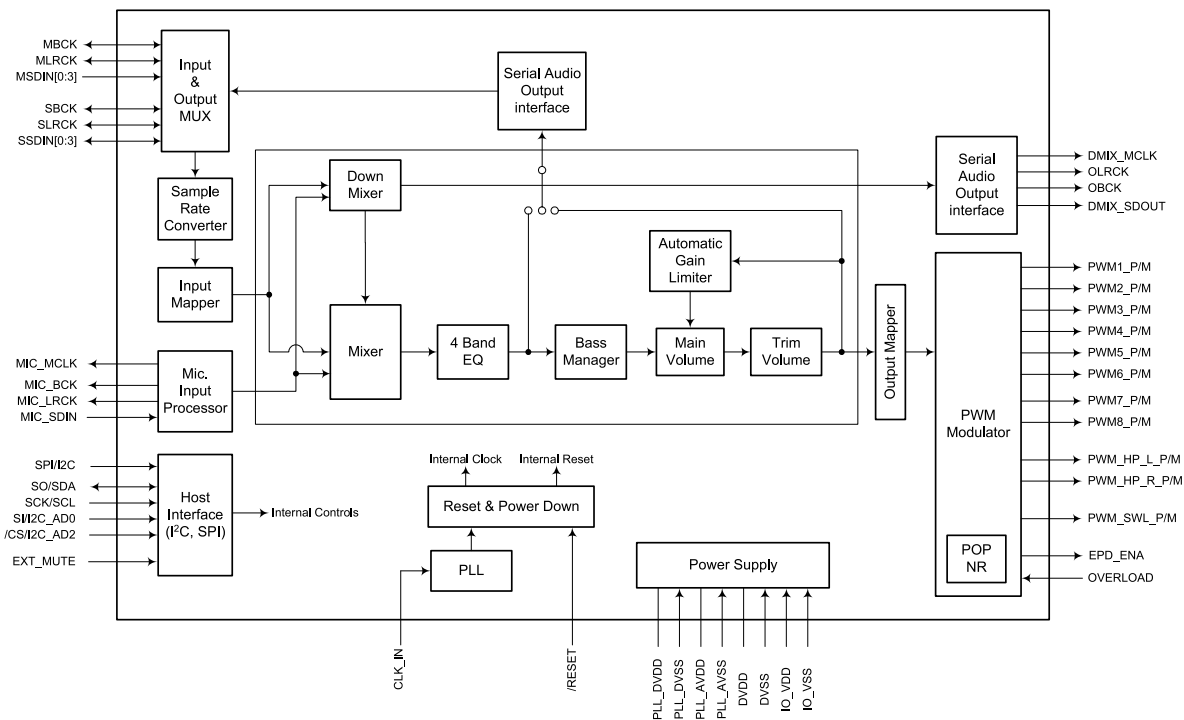
• HA12237F
BLOCK DIAGRAM



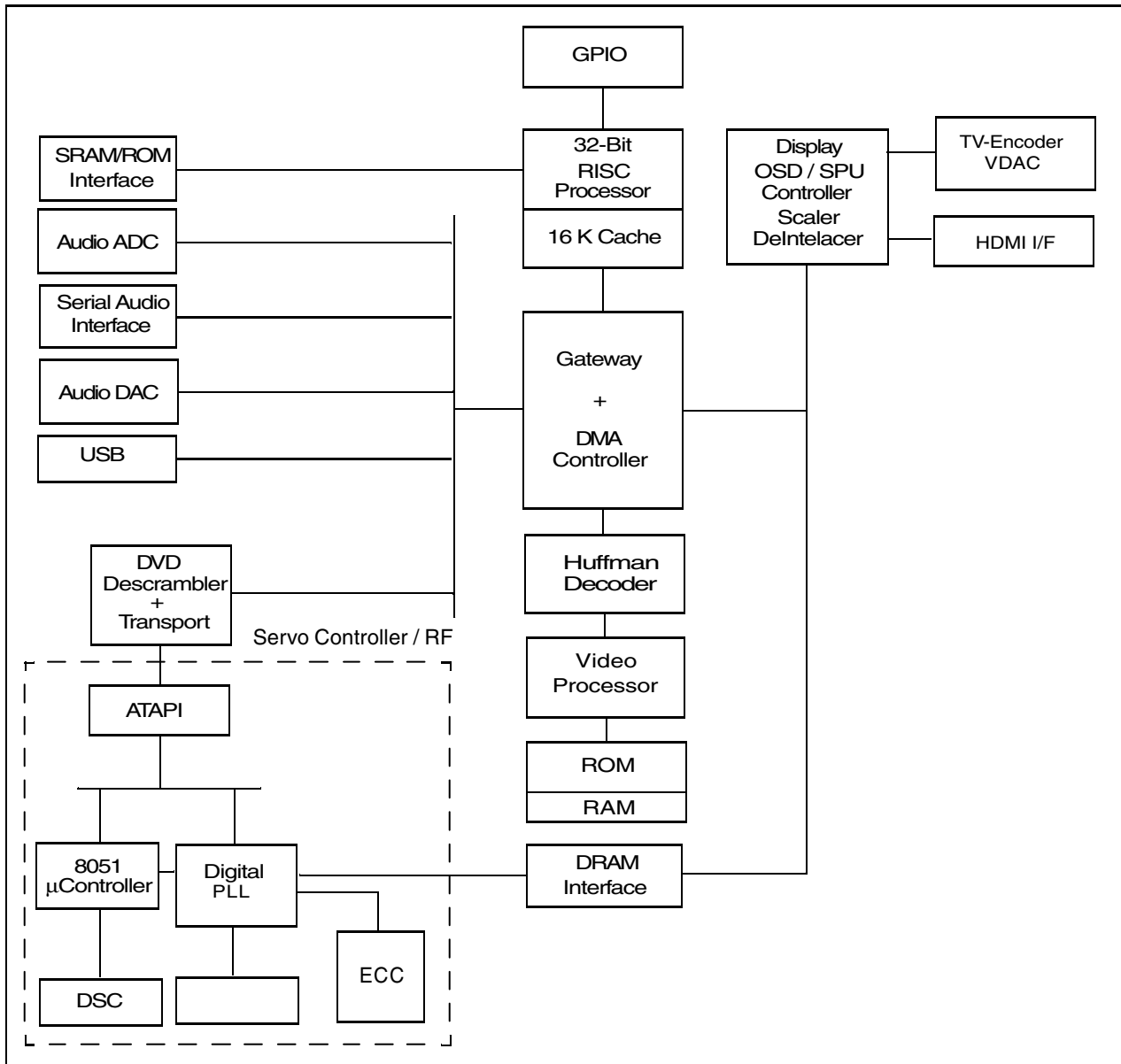
• **STR-S6757IF1905**
BLOCK DIAGRAM



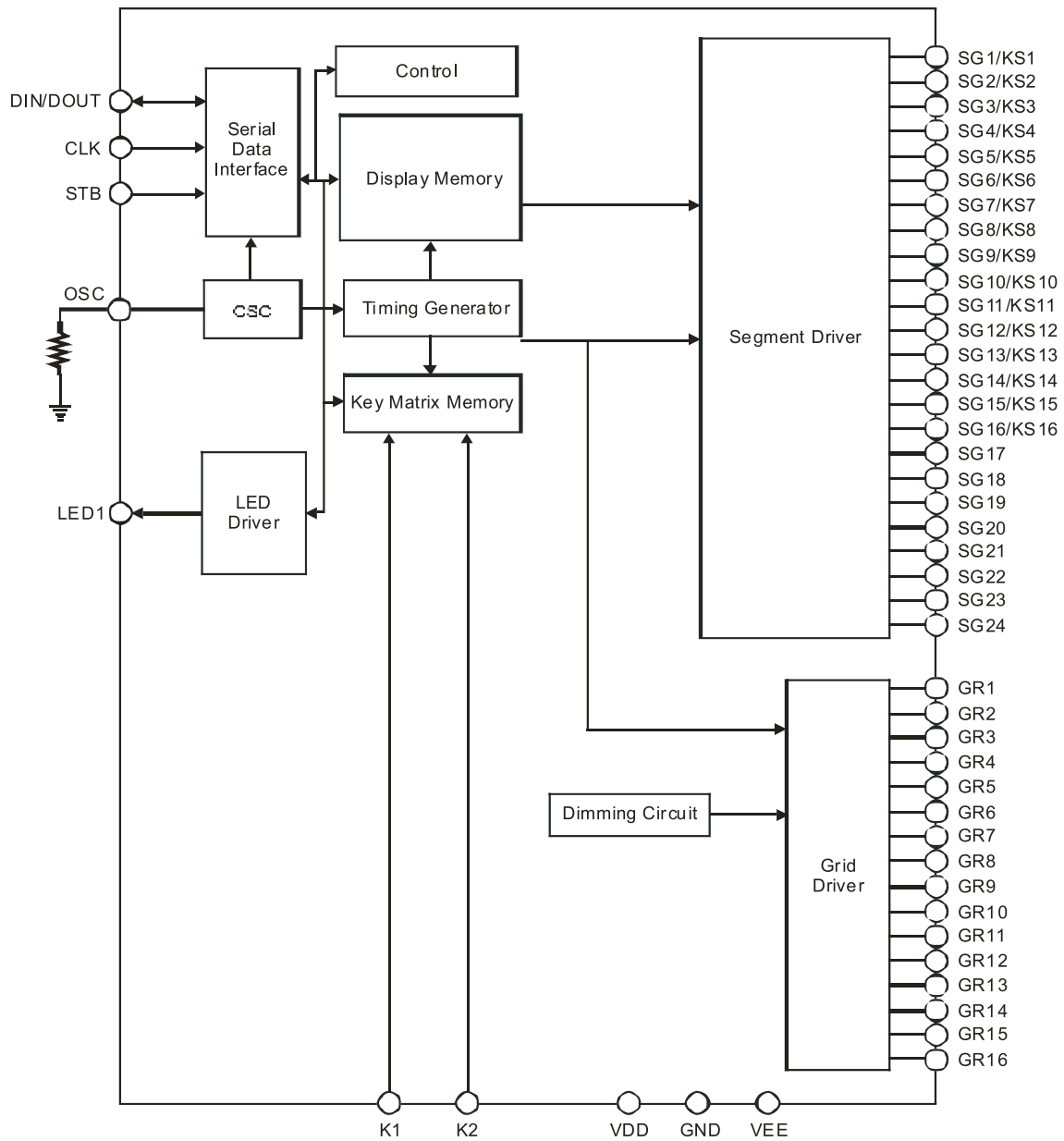
• **PS9829B**
BLOCK DIAGRAM



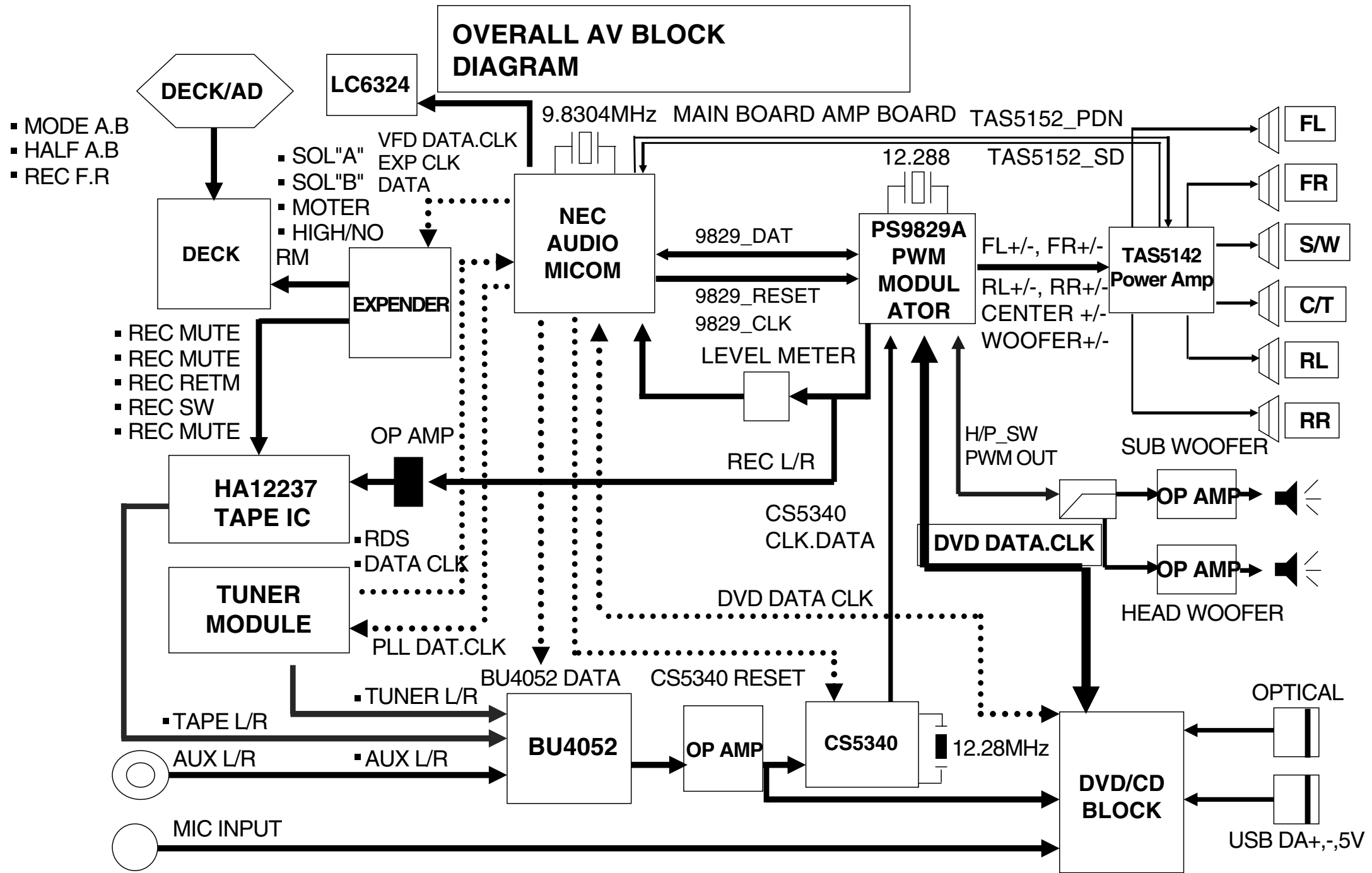
• ES6838
BLOCK DIAGRAM



• **PT6324**
BLOCK DIAGRAM

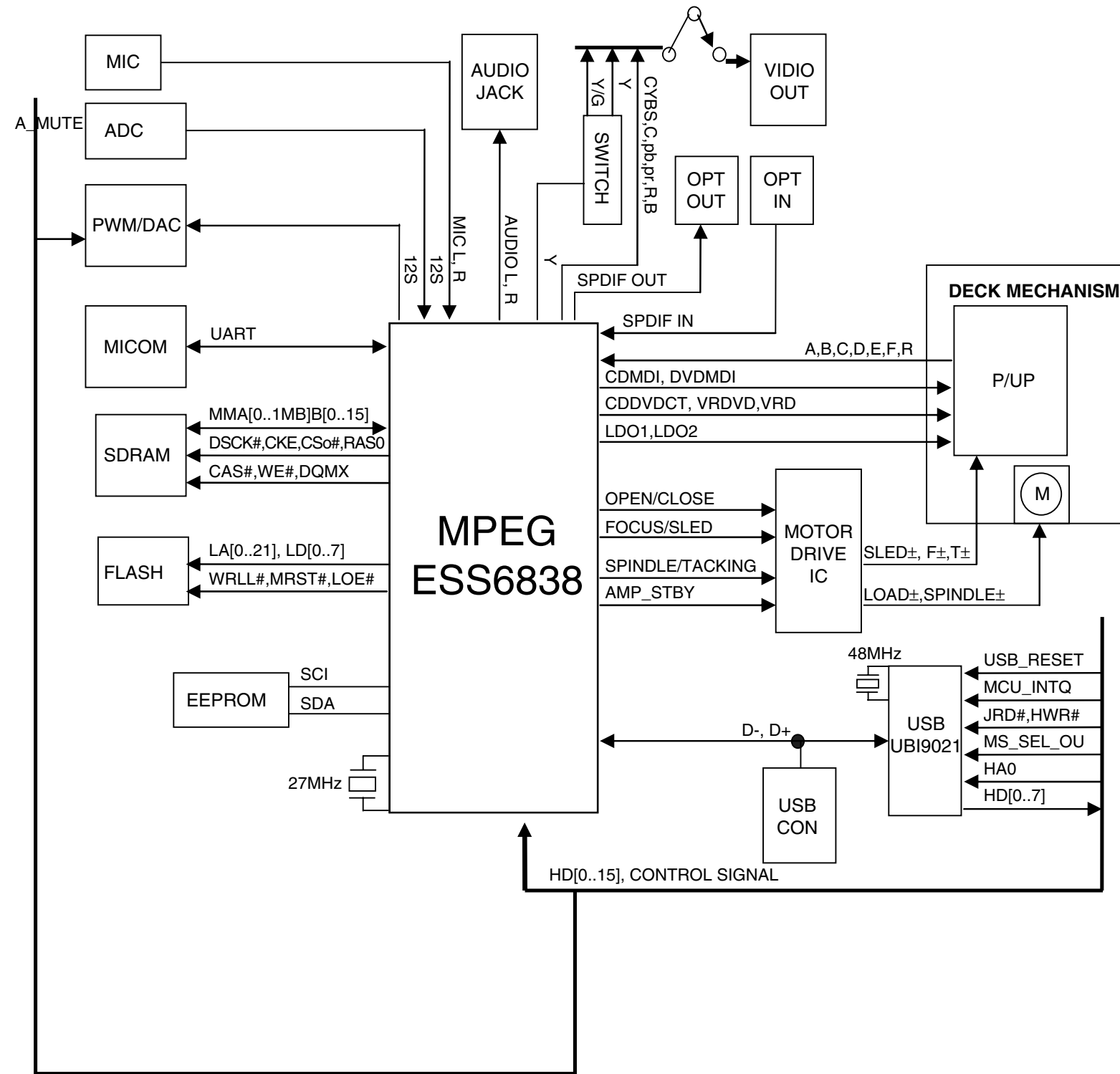


□ BLOCK DIAGRAM

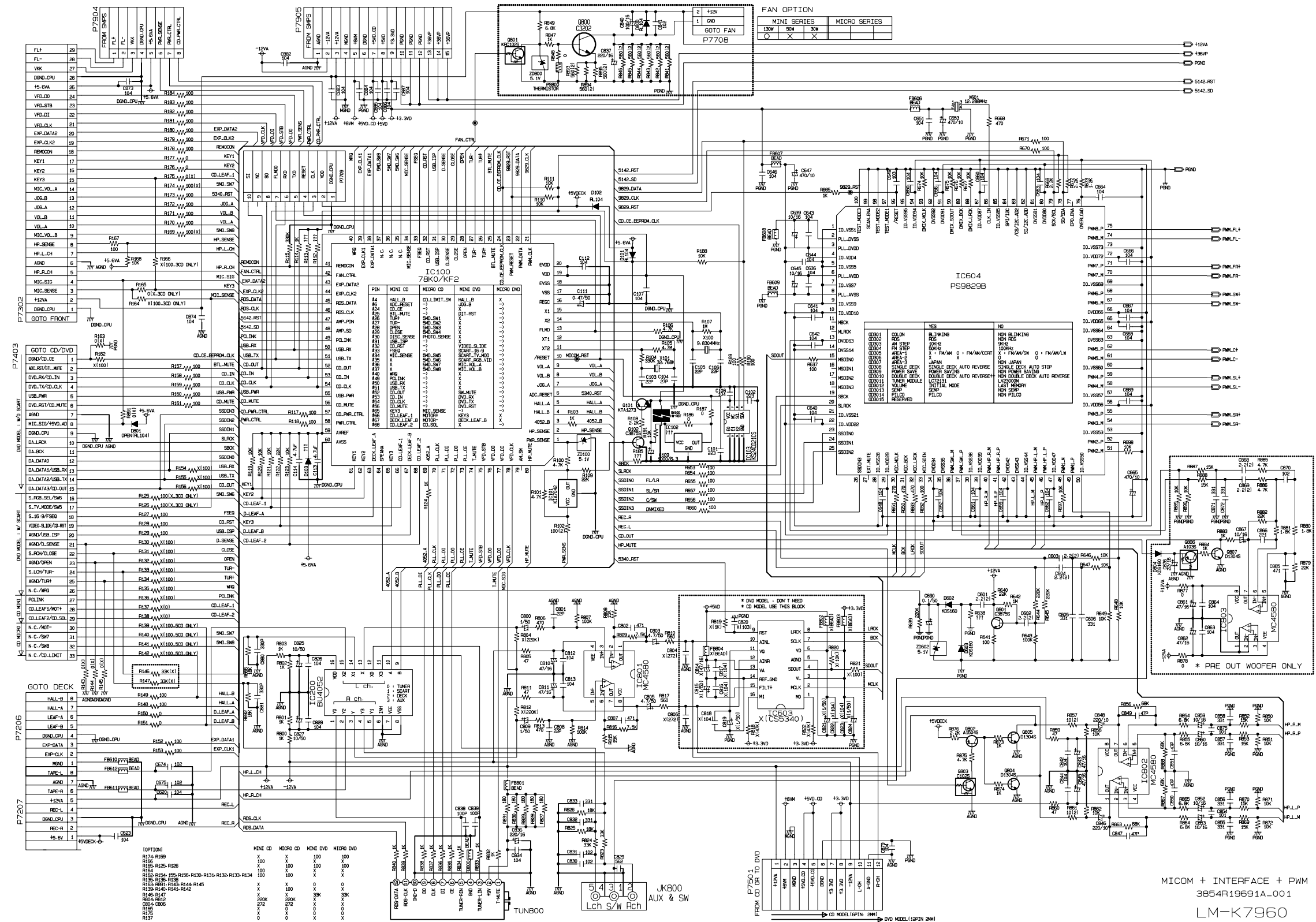


SCHEMATIC DIAGRAMS

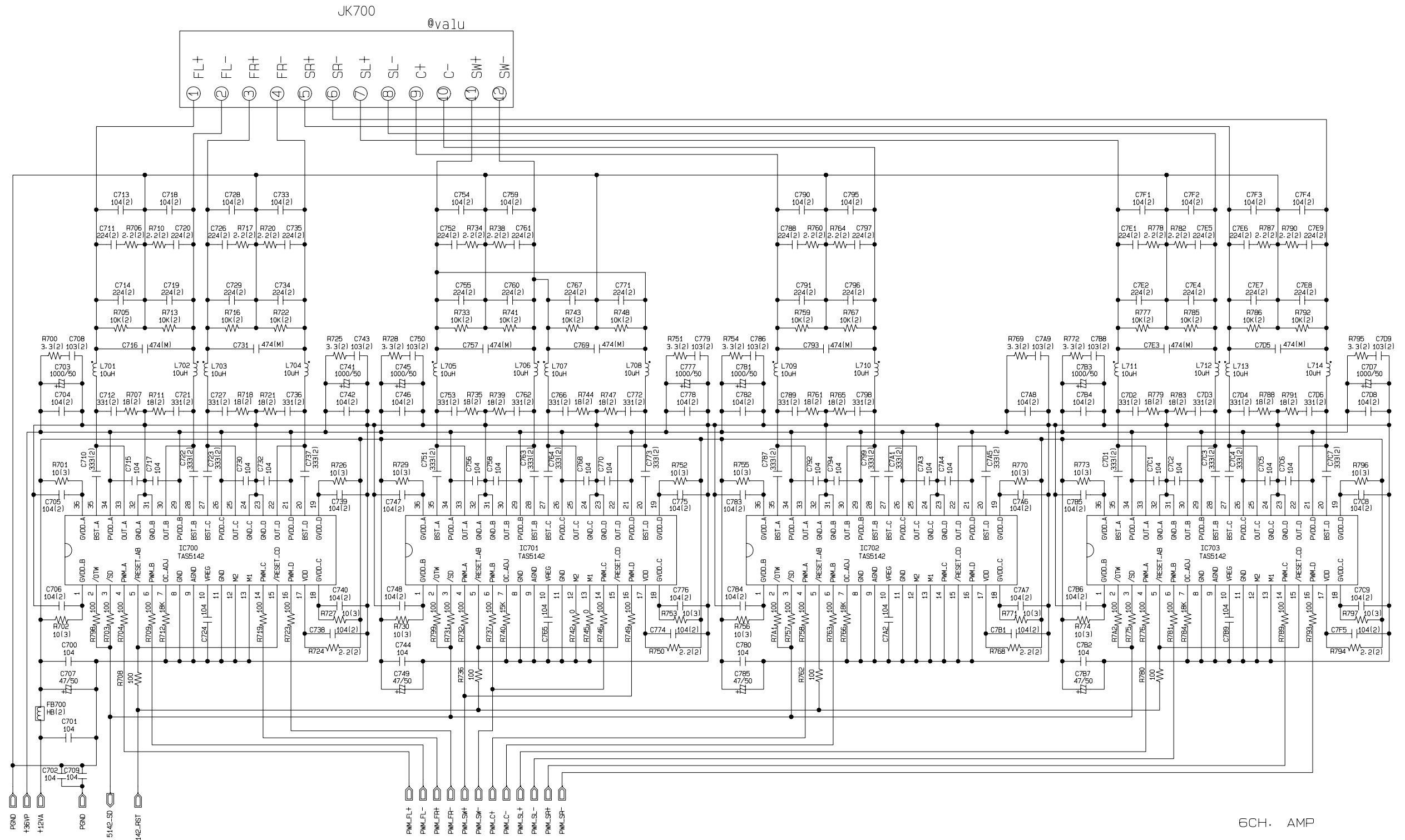
MAIN SCHEMATIC DIAGRAM



• MAIN SCHEMATIC DIAGRAM



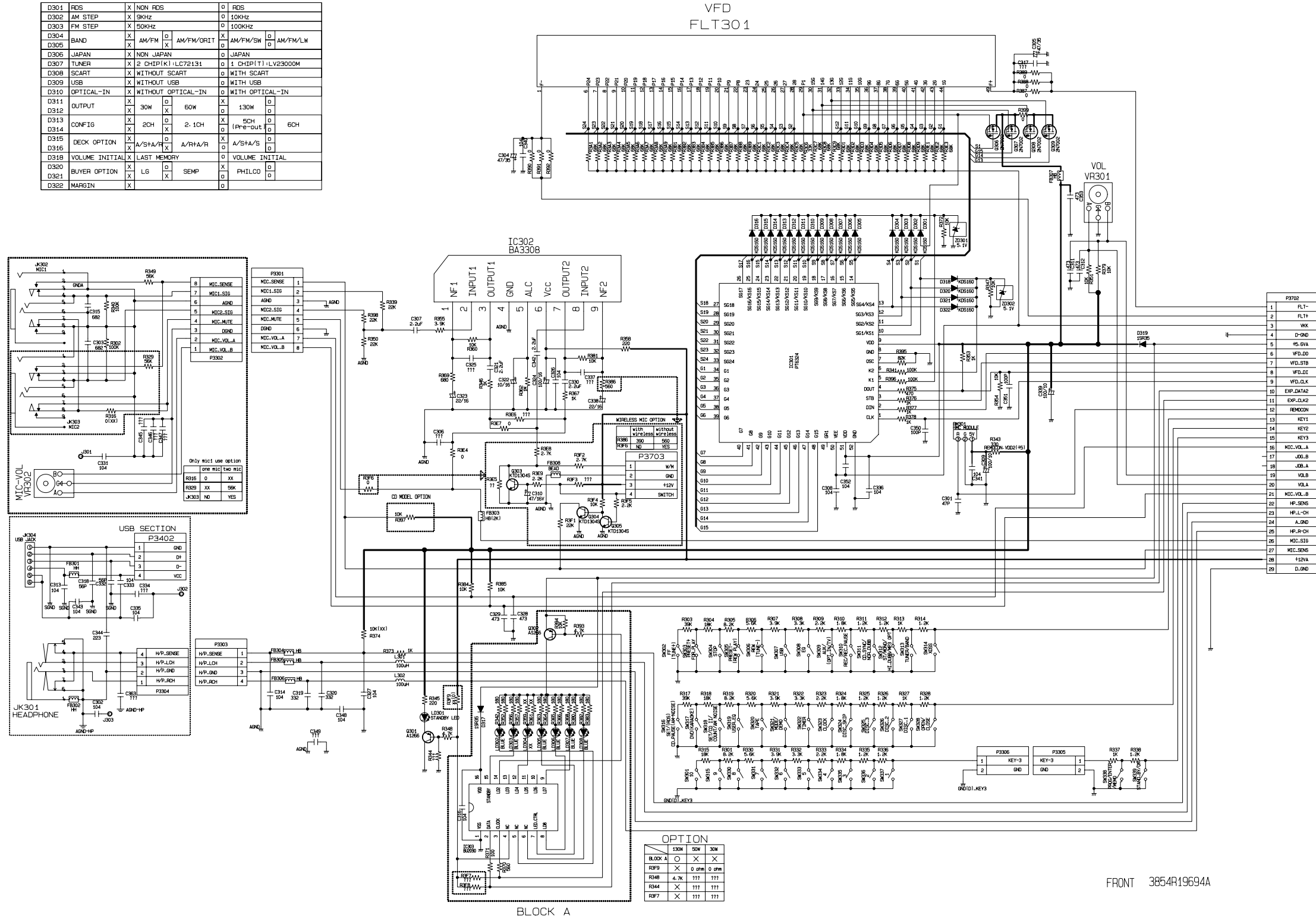
• MAIN AMP SCHEMATIC DIAGRAM



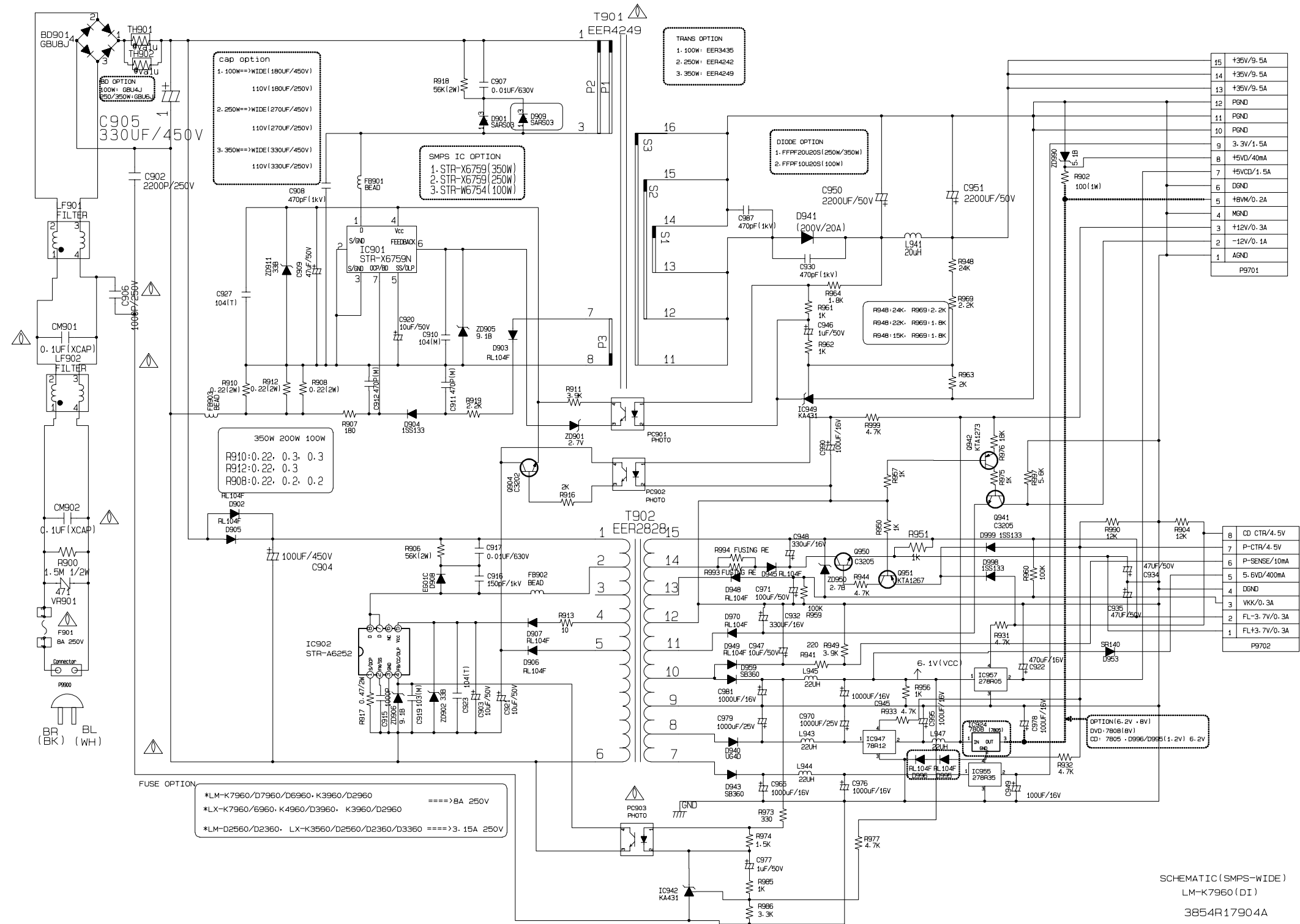
6CH. AMP
 3854R19691A_002
 LM-K7960

• FRONT SCHEMATIC DIAGRAM

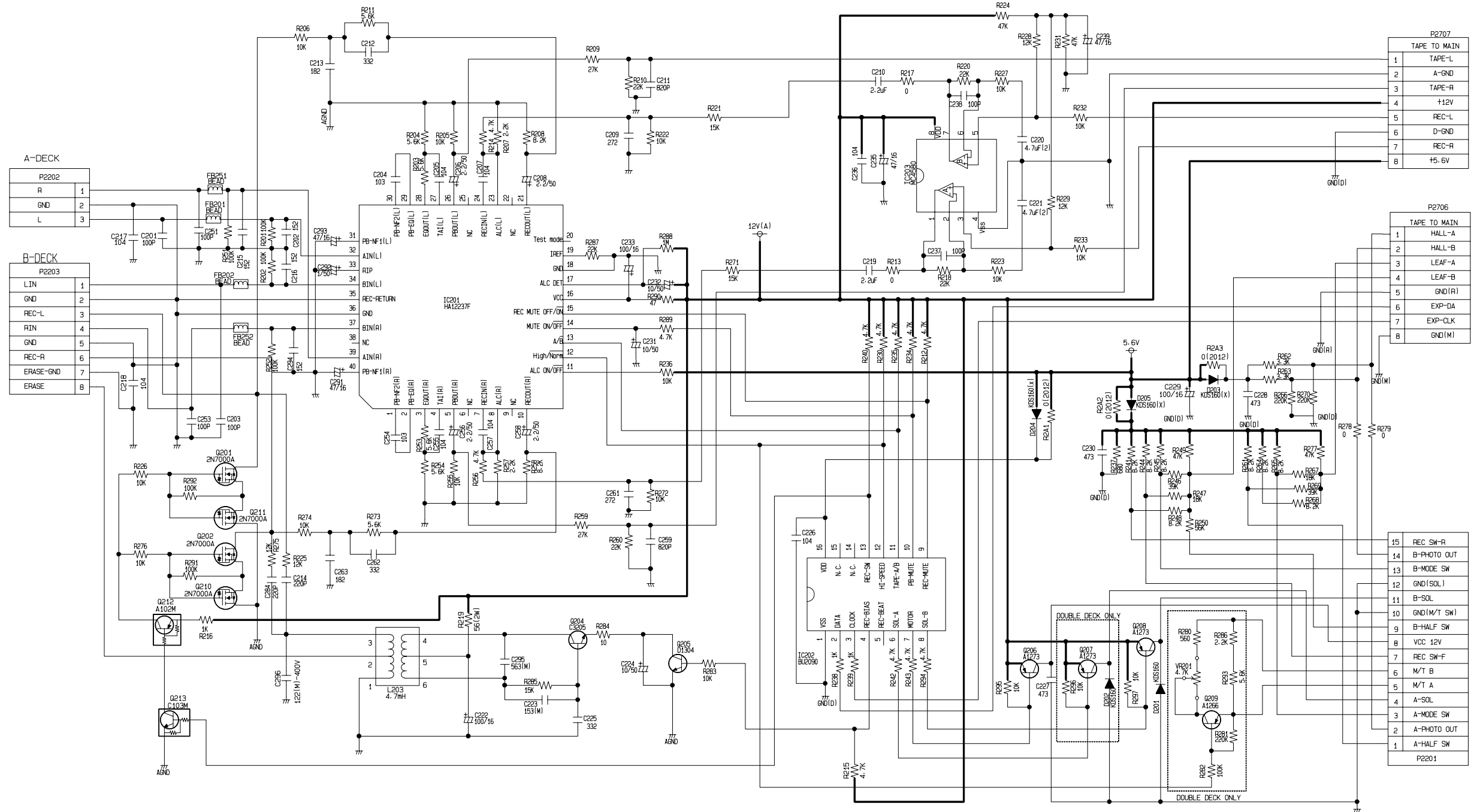
D301	RDS	X	NON RDS	0	RDS
D302	AM STEP	X	9KHZ	0	10KHZ
D303	FM STEP	X	50KHZ	0	100KHZ
D304	BAND	X	AM/FM	0	AM/FM/ORIT
D305		X	AM/FM/SN	0	AM/FM/LW
D306	JAPAN	X	NON JAPAN	0	JAPAN
D307	TUNER	X	2 CHIP(K1-LC72131)	0	1 CHIP(I1)-LV23000M
D308	SCART	X	WITHOUT SCART	0	WITH SCART
D309	USB	X	WITHOUT USB	0	WITH USB
D310	OPTICAL-IN	X	WITHOUT OPTICAL-IN	0	WITH OPTICAL-IN
D311	OUTPUT	X	30W	0	60W
D312		X		0	130W
D313	CONFIG	X	2CH	0	2-1CH
D314		X		0	5CH Pre-out
D315	DECK OPTION	X	A/SHA/R	0	A/RHA/R
D316		X		0	A/SHA/S
D318	VOLUME INITIAL	X	LAST MEMORY	0	VOLUME INITIAL
D320	BUYER OPTION	X	LG	0	SEMP
D321		X		0	PHILCO
D322	MARGIN	X		0	



• SMPS SCHEMATIC DIAGRAM



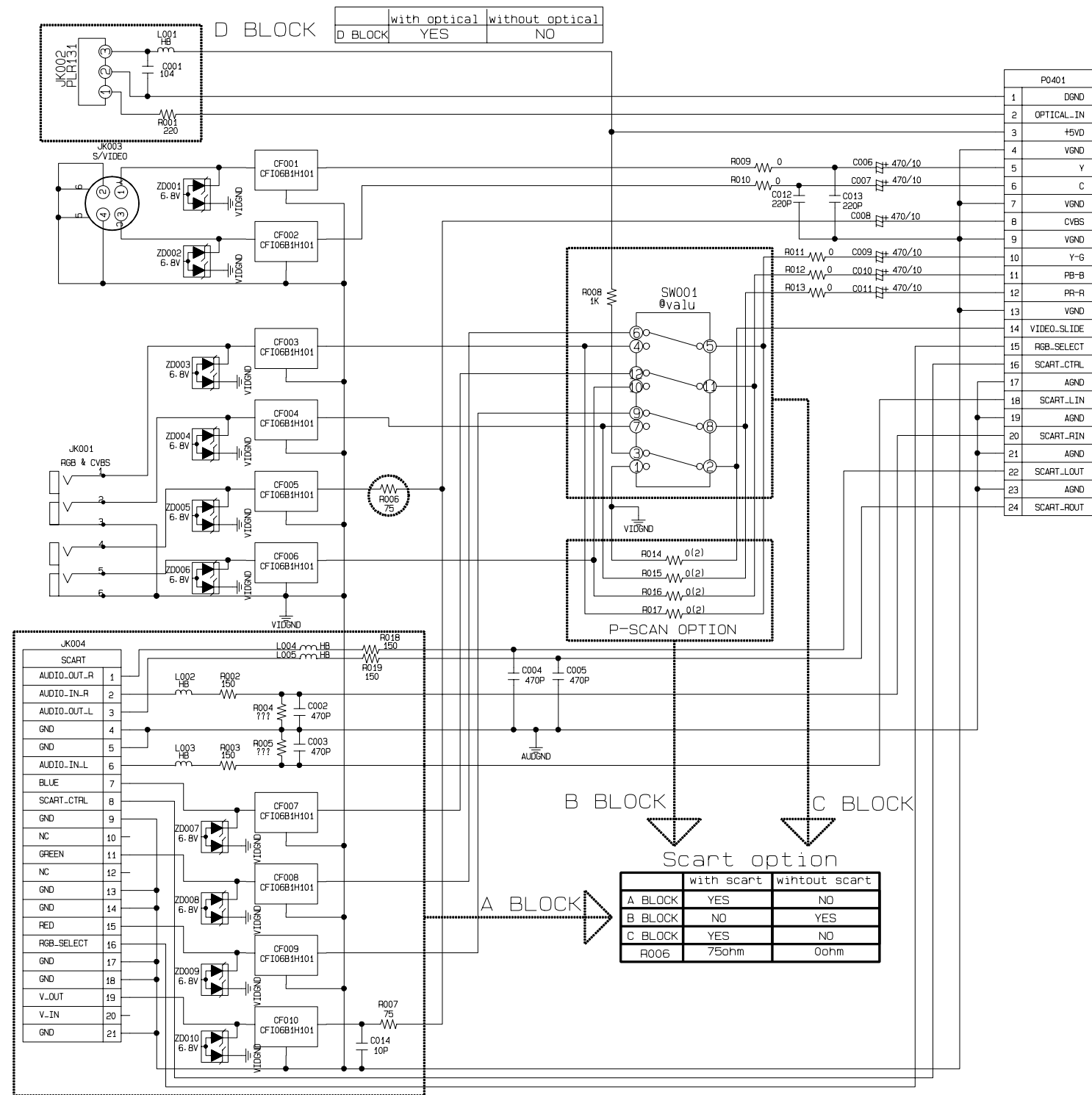
• DECK SCHEMATIC DIAGRAM



LOCATION NUMBER	AUTOSTOP	AUTO REVERSE
R225, R275	47K	12K
C220	182 (M)	122 (M)
C234	682 (M)	562 (M)
C296	222 (M)	122 (M)

DECK
2006.01.06
3854R19693A

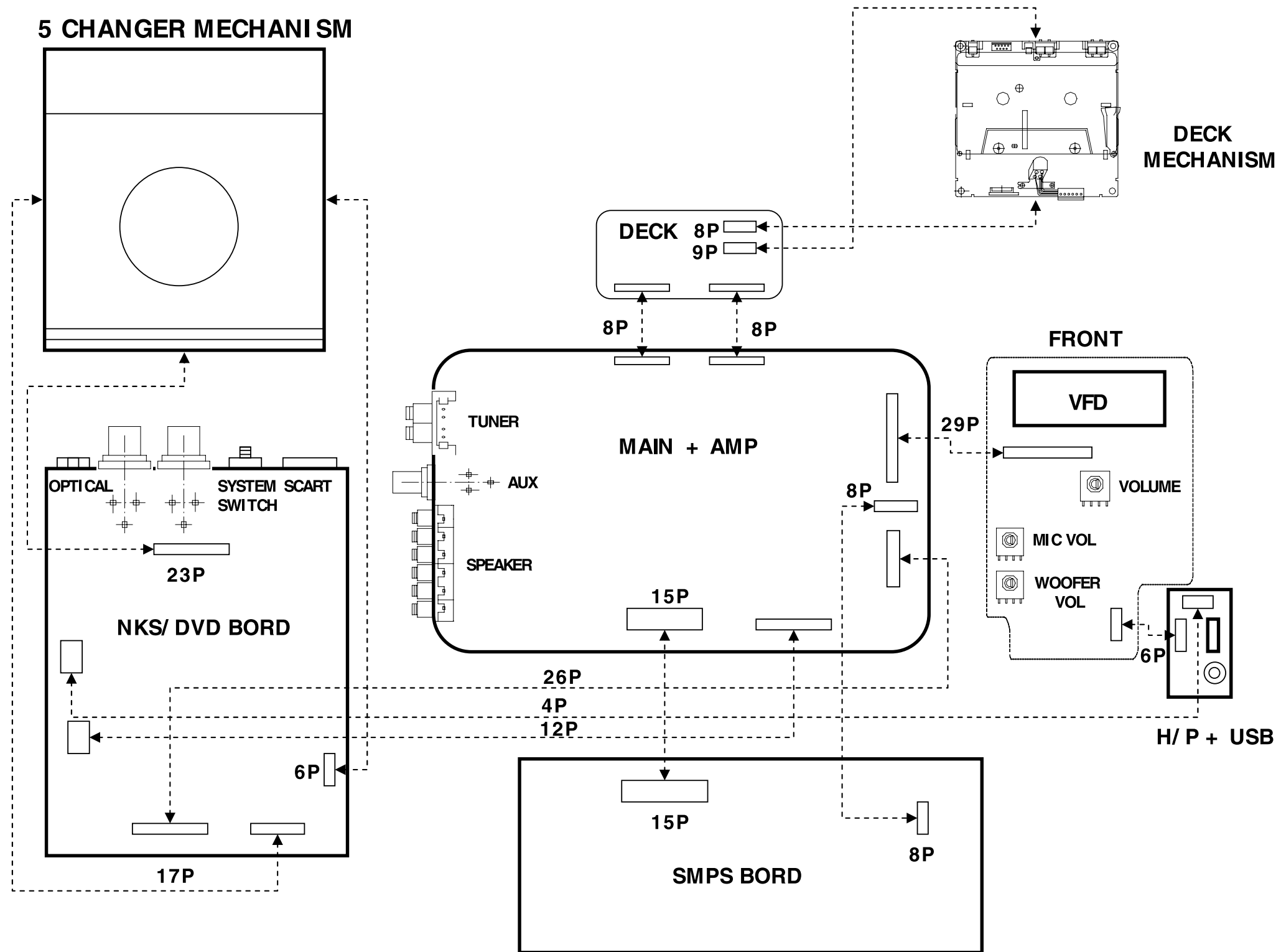
• JACK & IO SCHEMATIC DIAGRAM



JACK & I/O

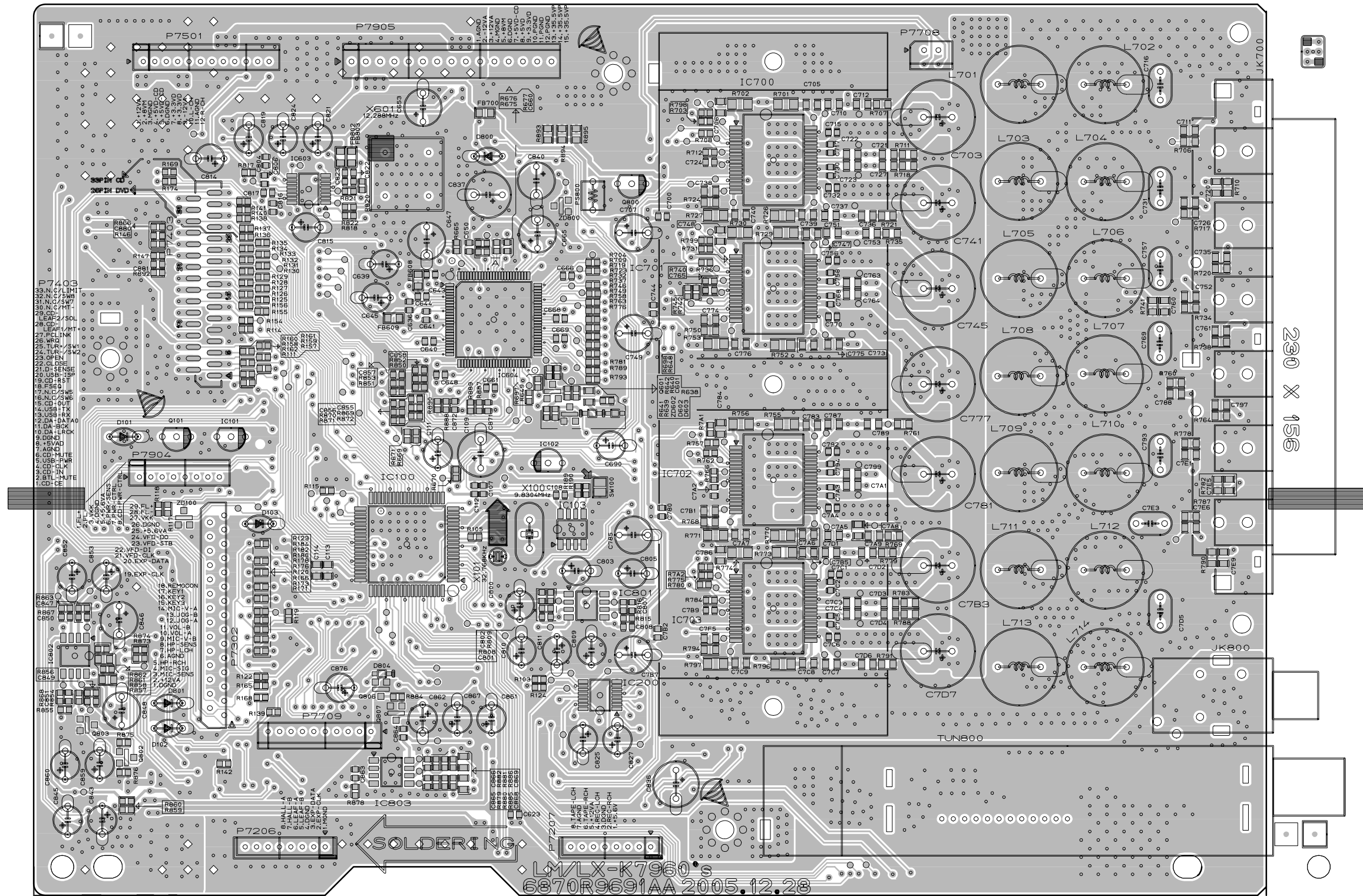
3854R18697A

□ WIRING DIAGRAM

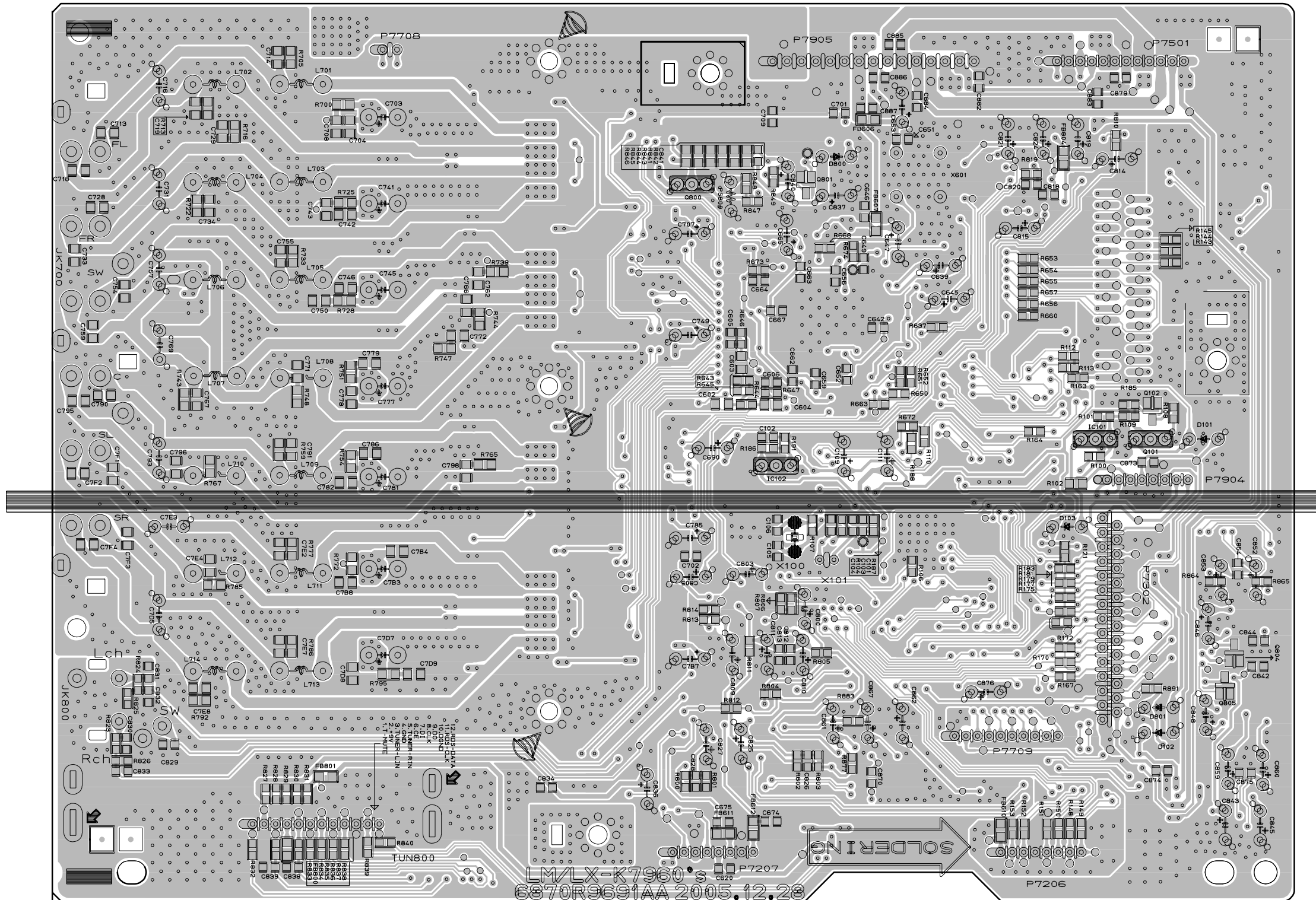


PRINTED CIRCUIT DIAGRAMS

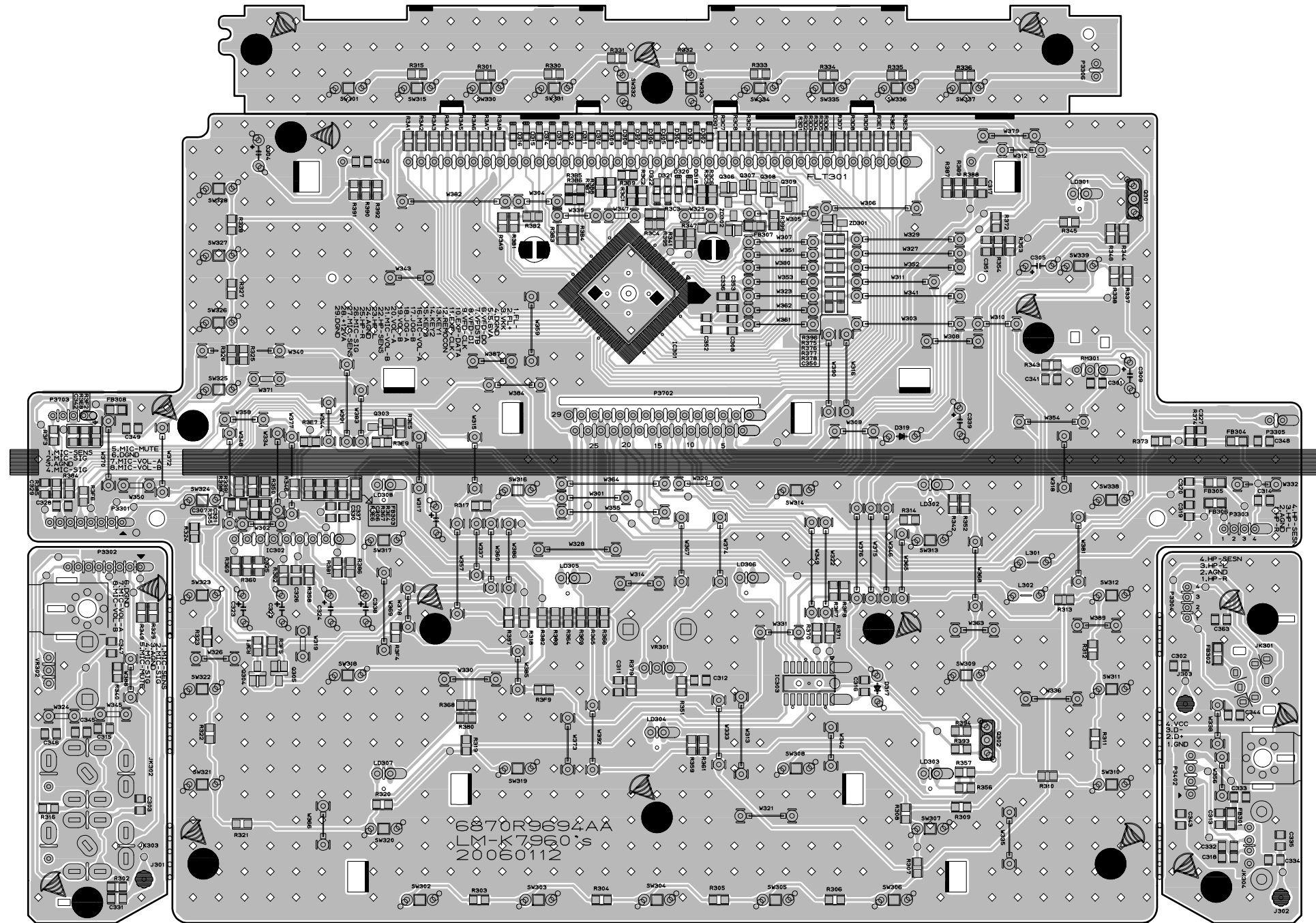
MAIN P.C. BOARD



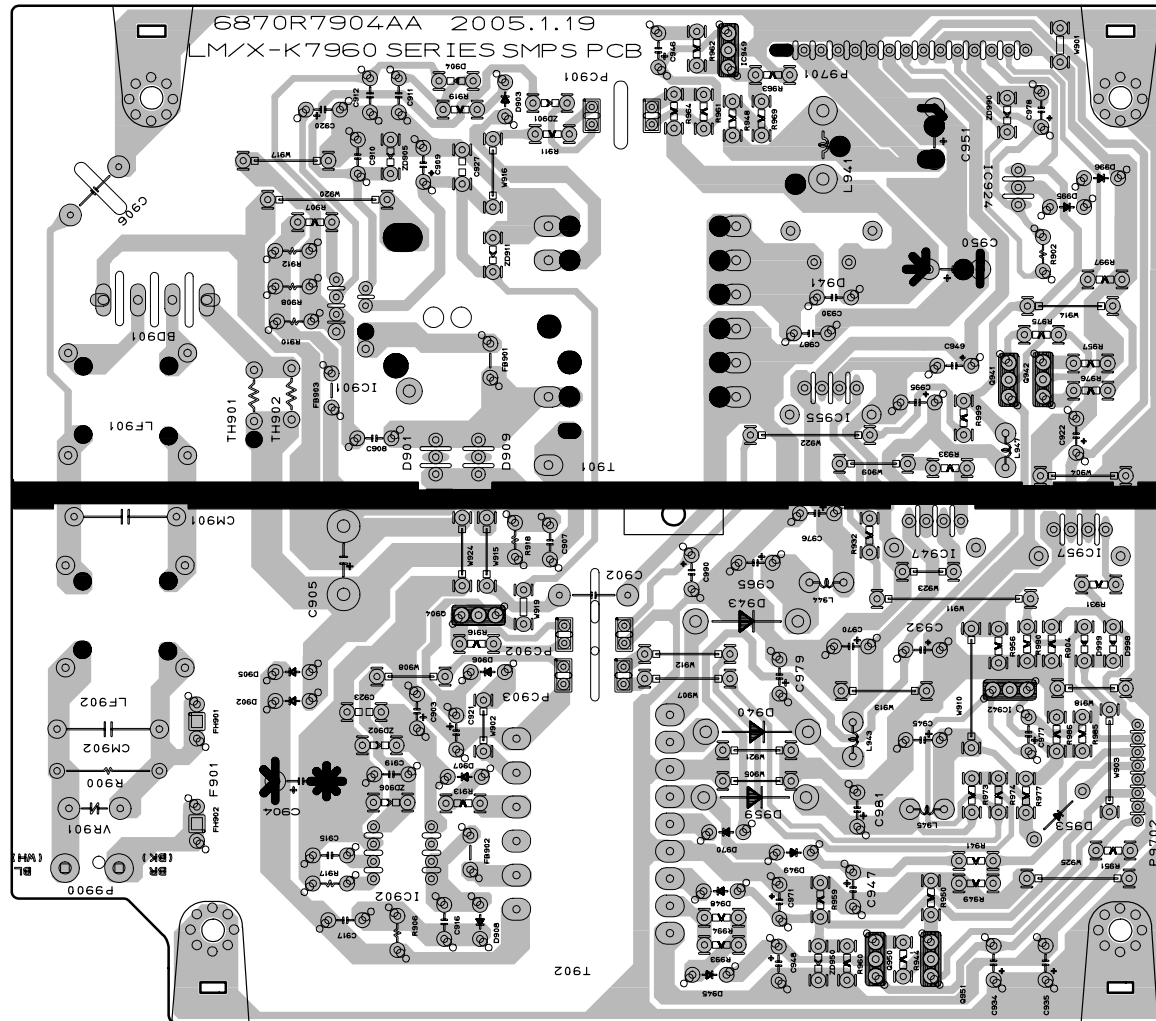
• MAIN P.C. BOARD



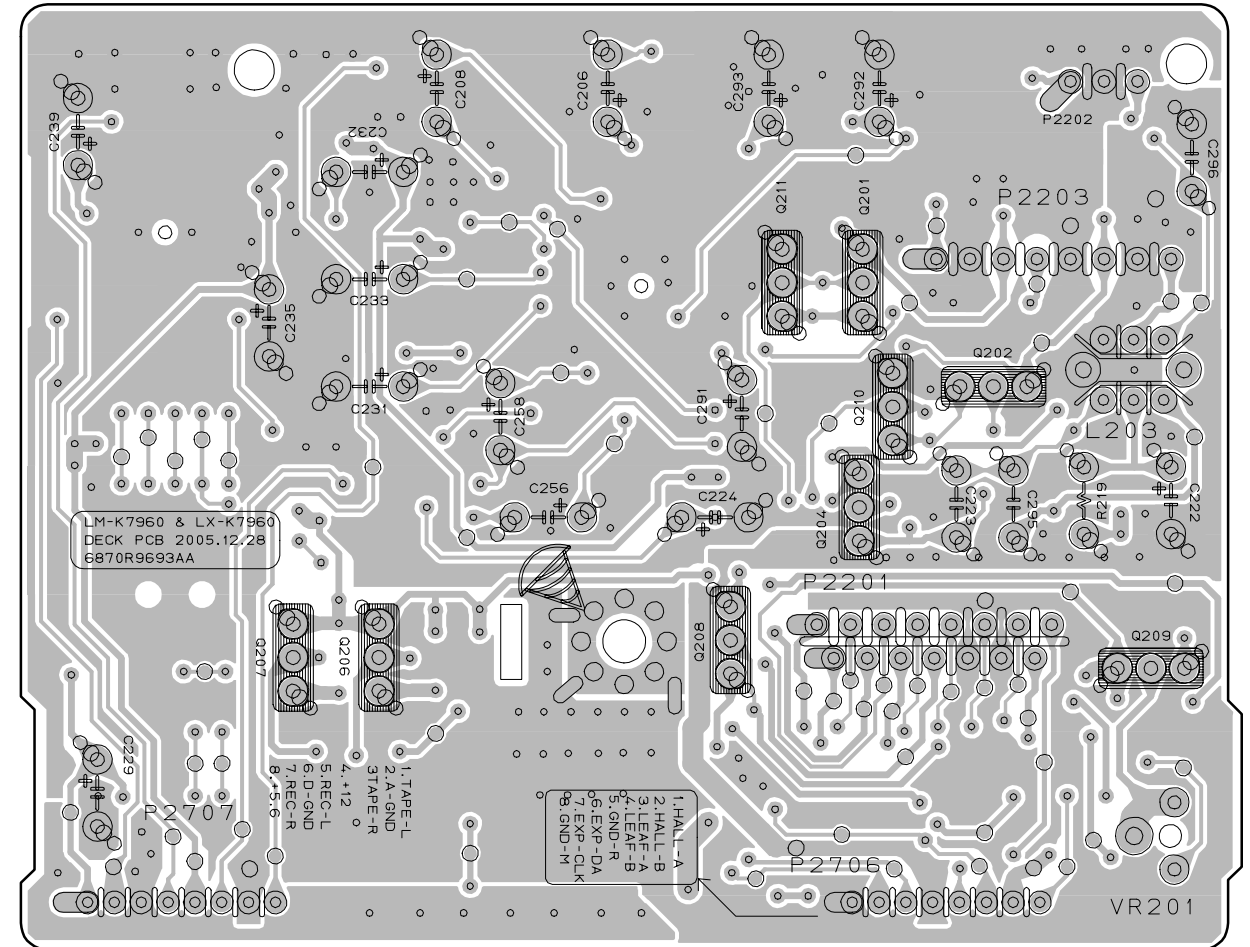
• FRONT P.C. BOARD



• SMPS P.C. BOARD



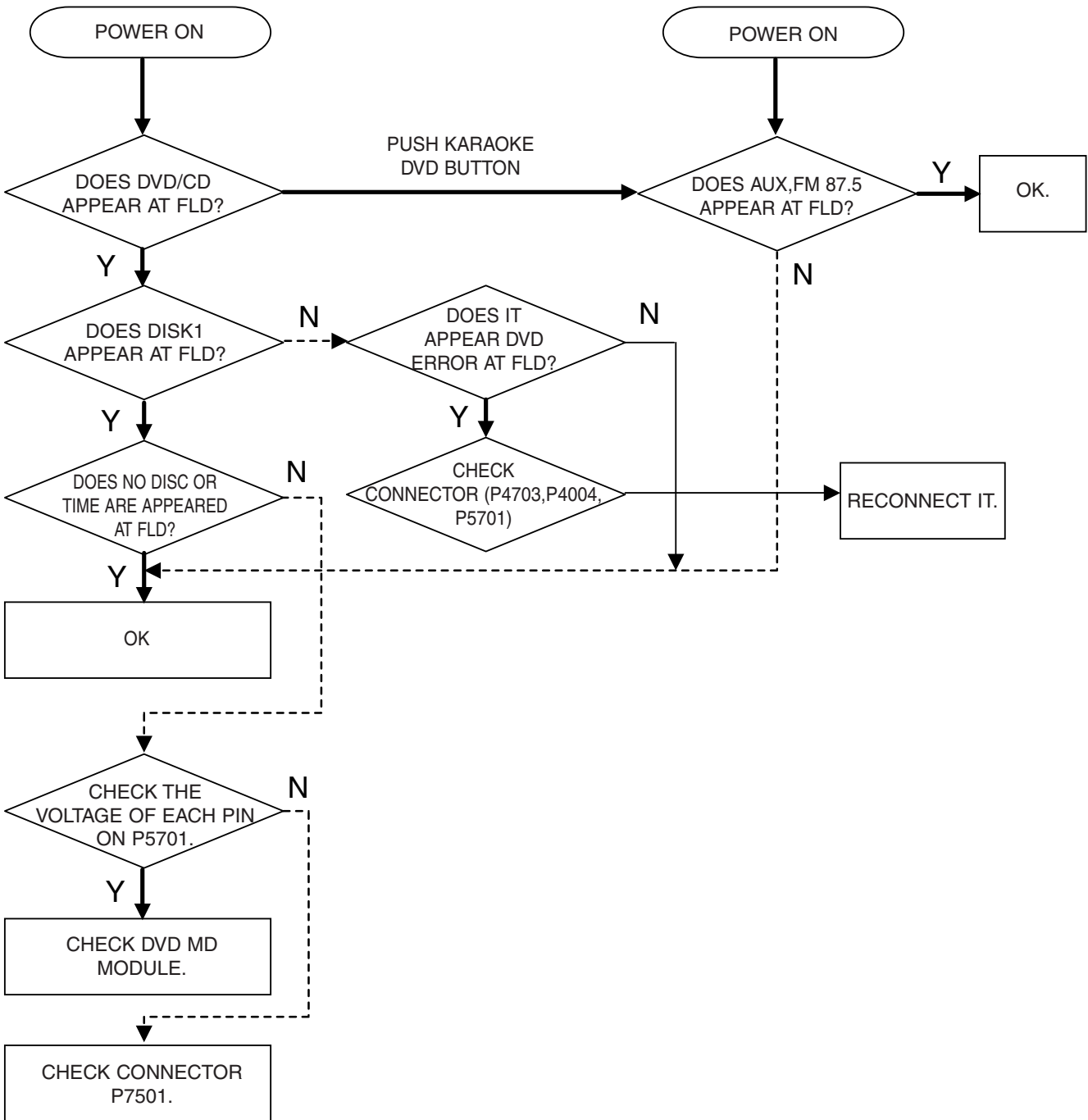
• DECK P.C. BOARD



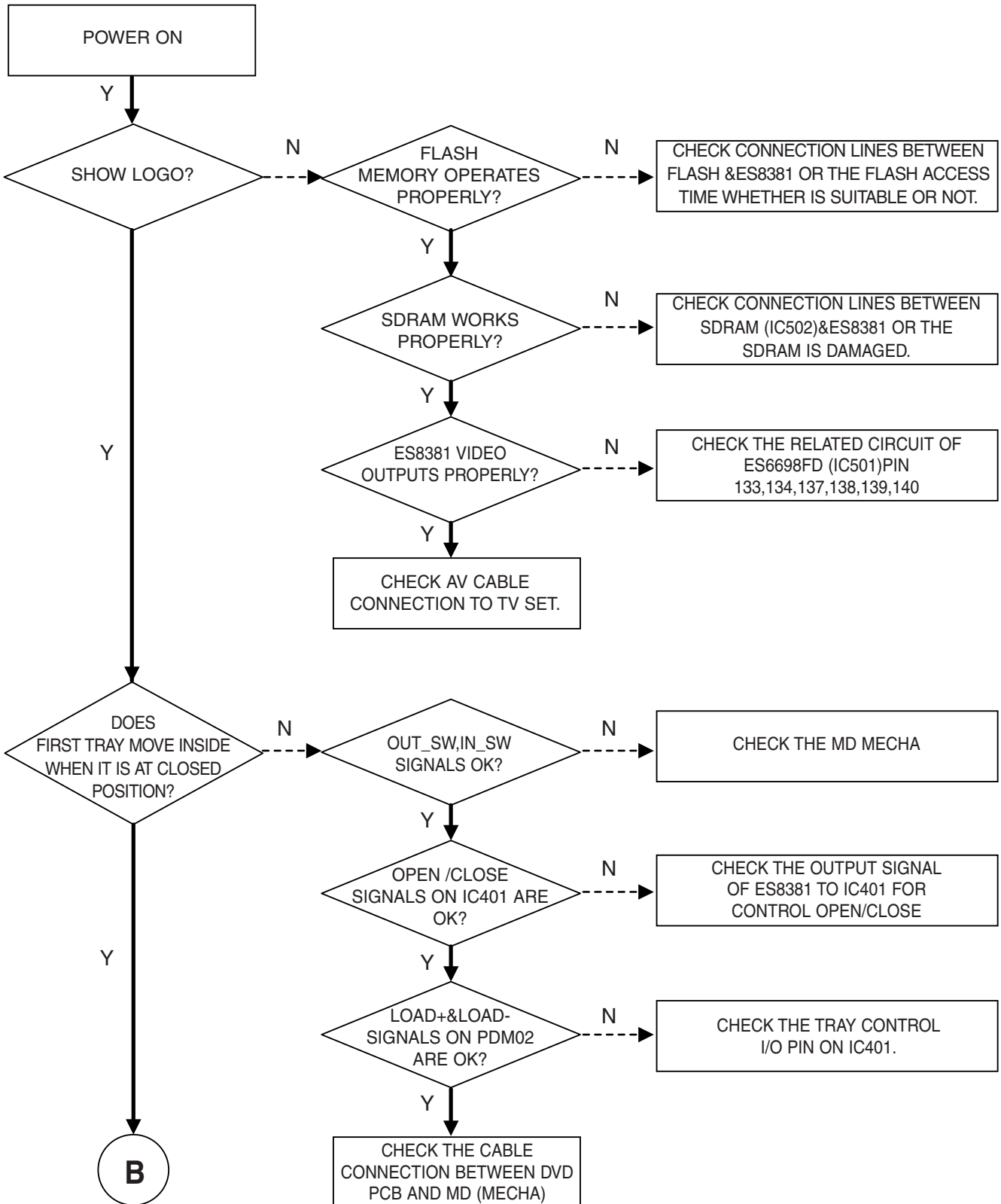
SECTION 3. DVD PART ELECTRICAL

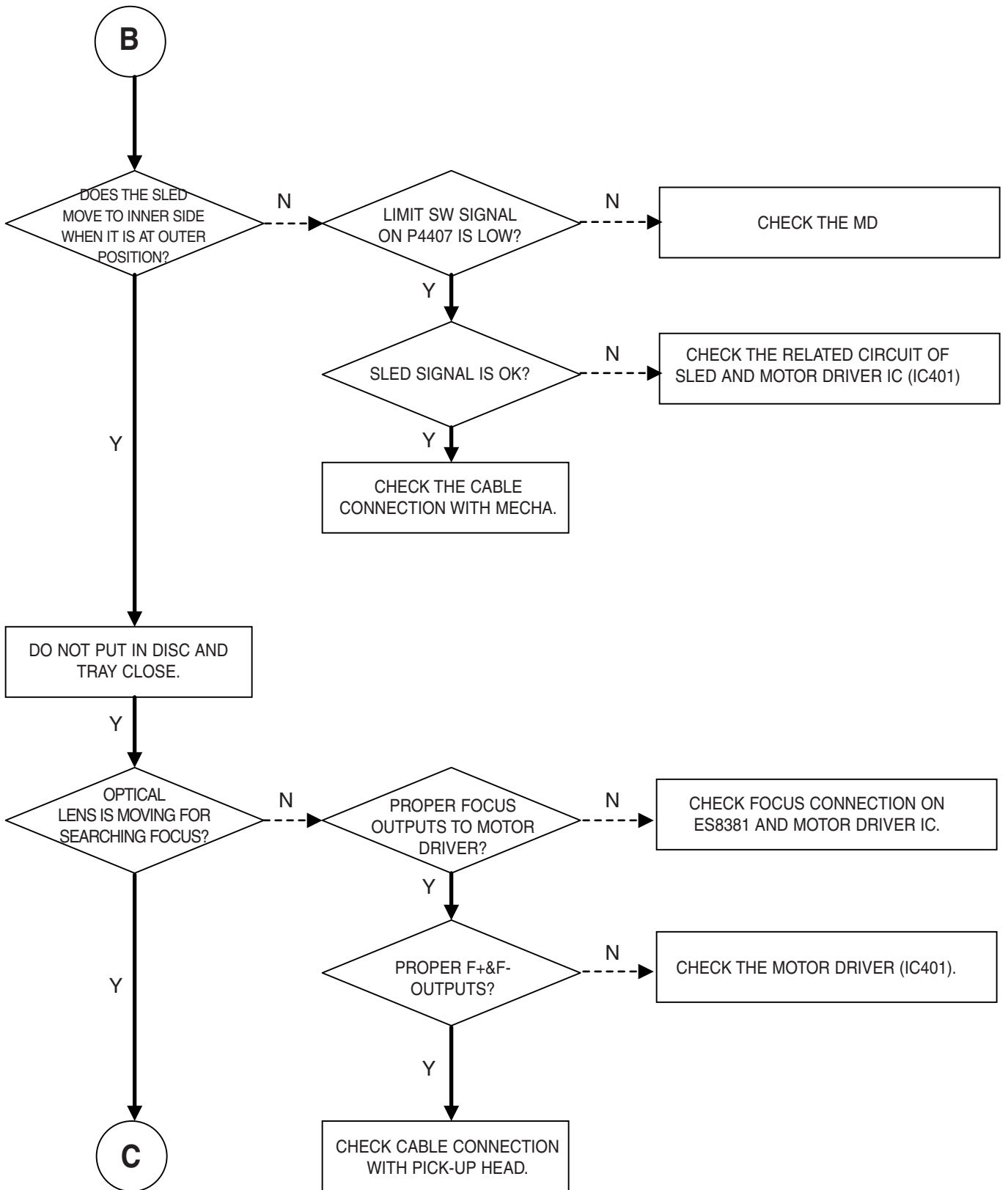
□ DVD ELECTRICAL TROUBLESHOOTING GUIDE

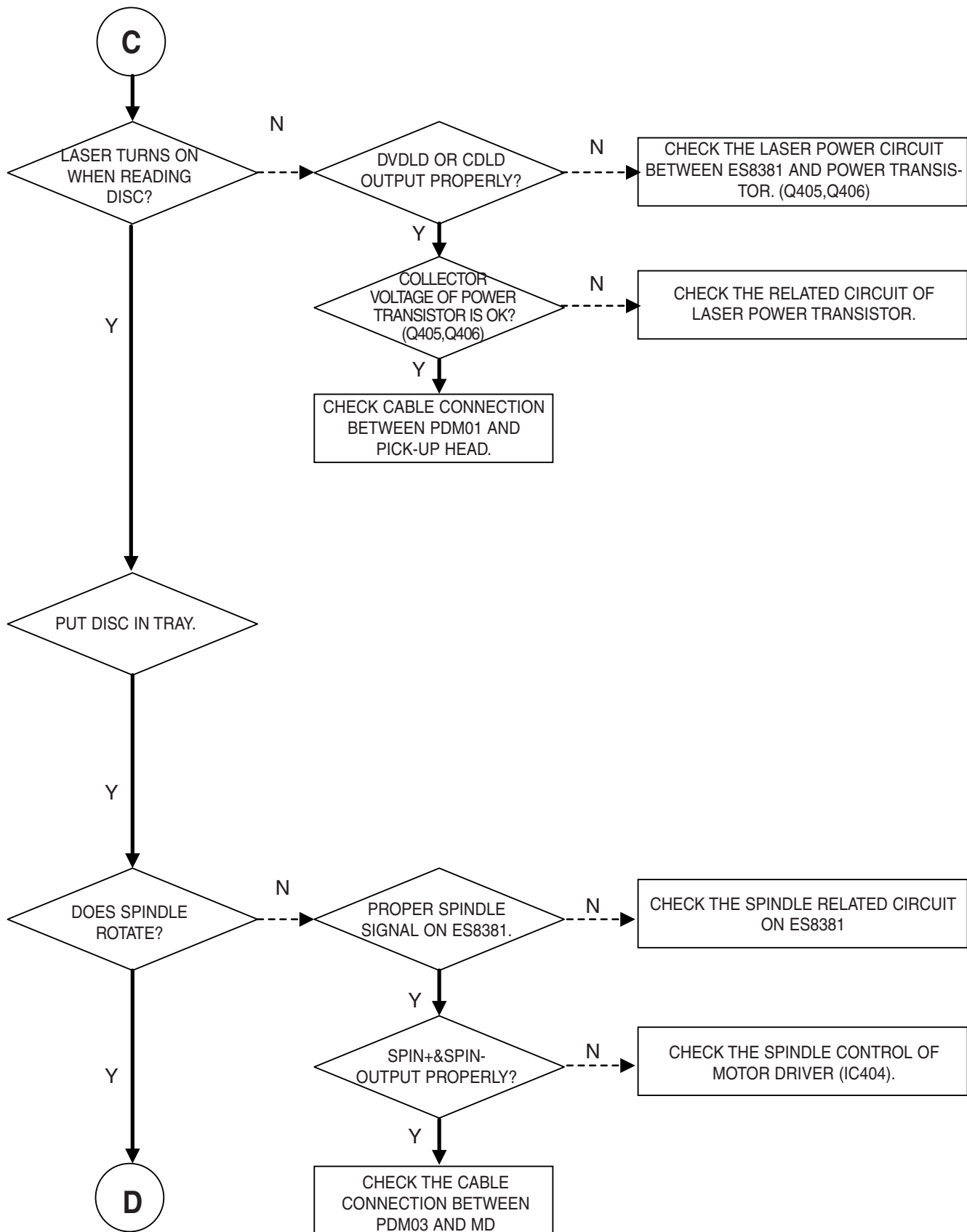
■ POWER CHECK GUIDE

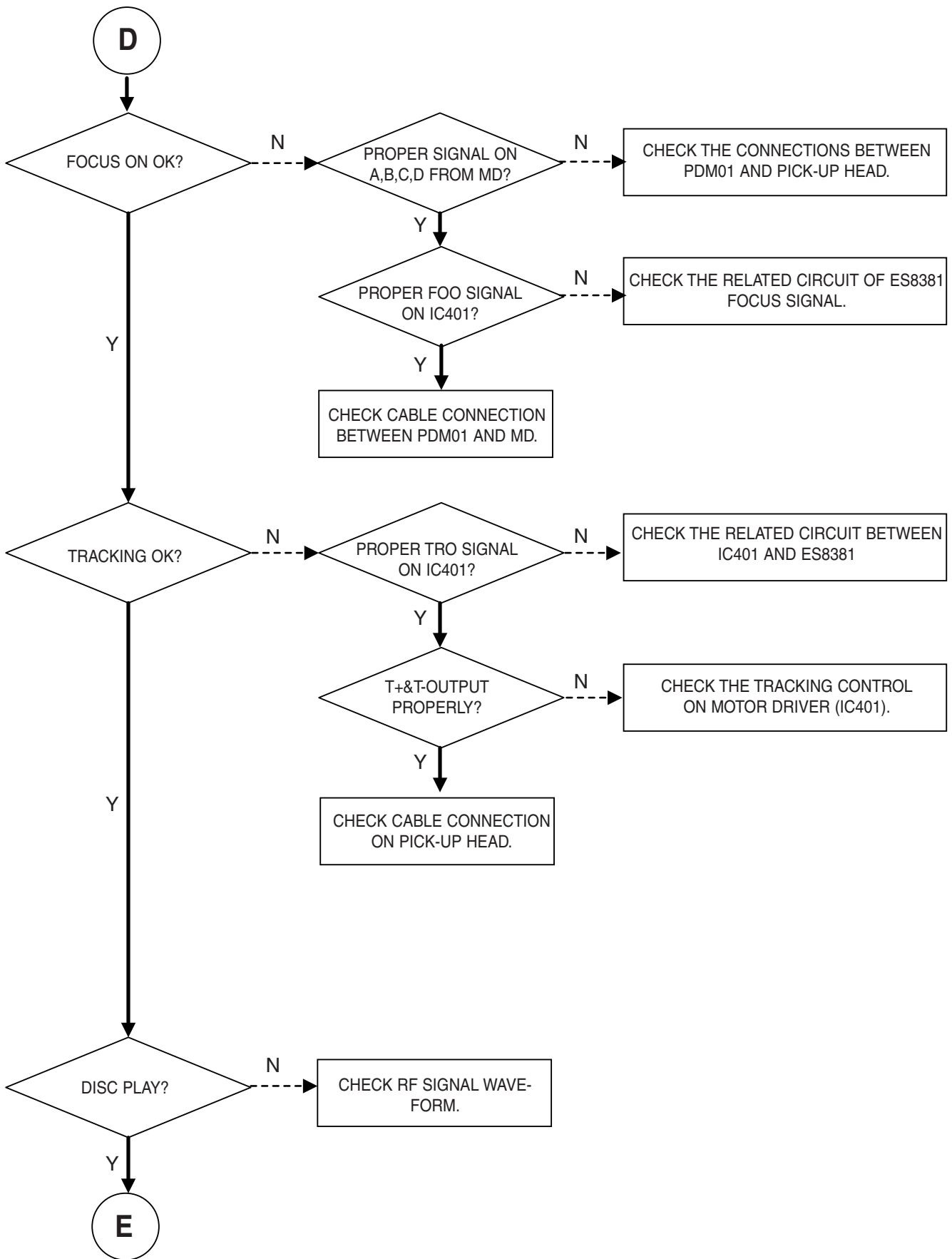


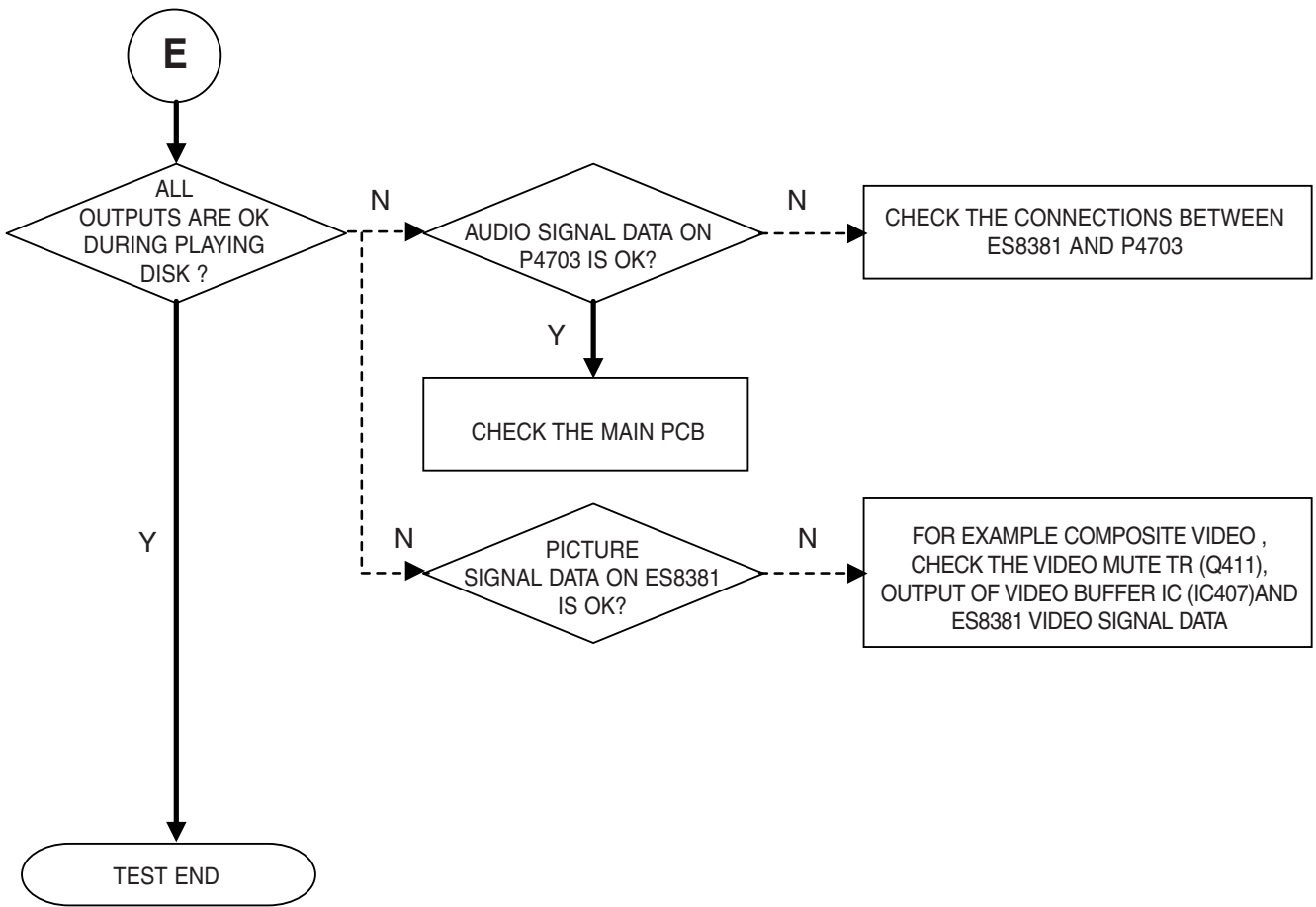
■ TEST & DEBUG FLOW



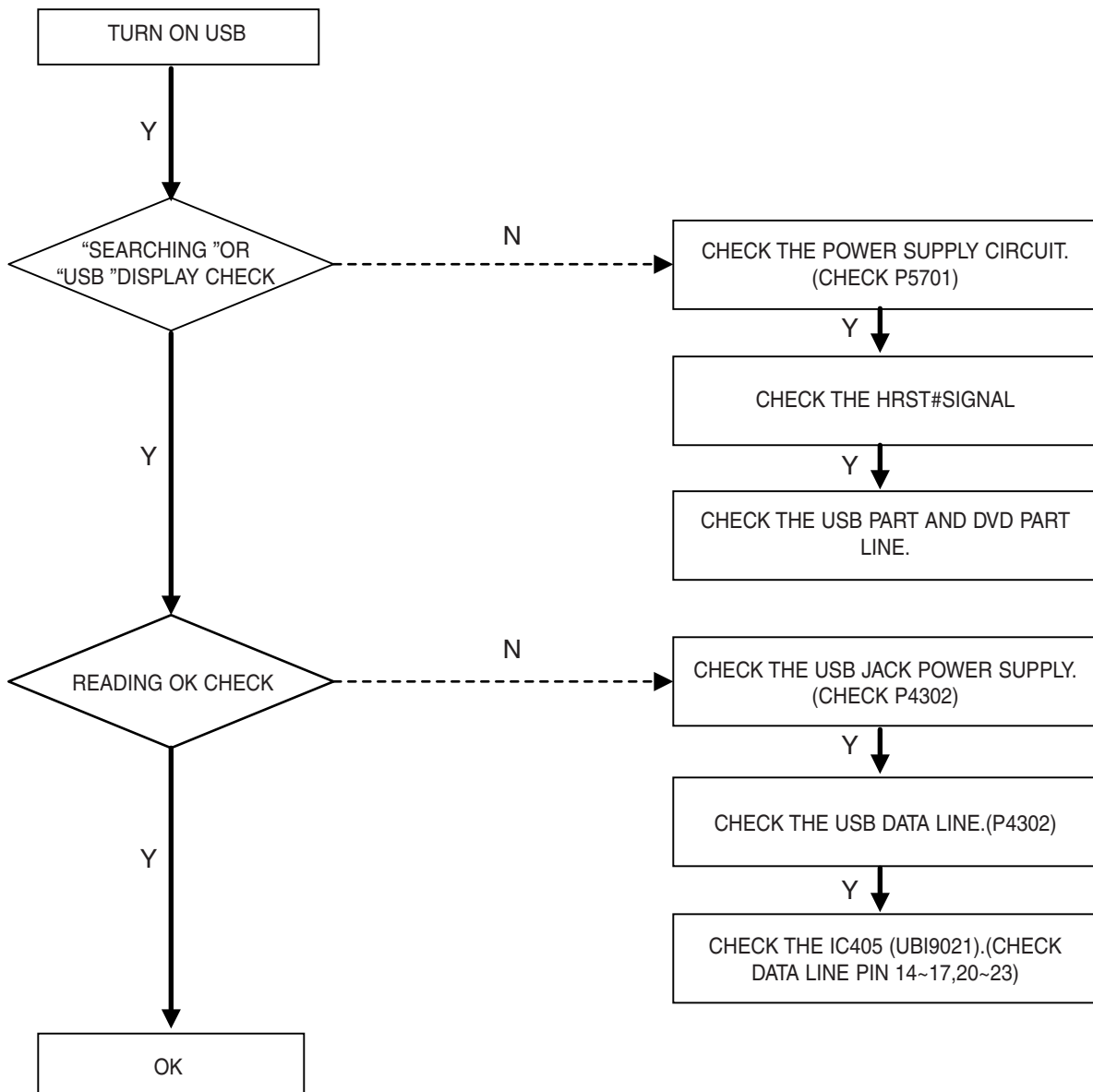






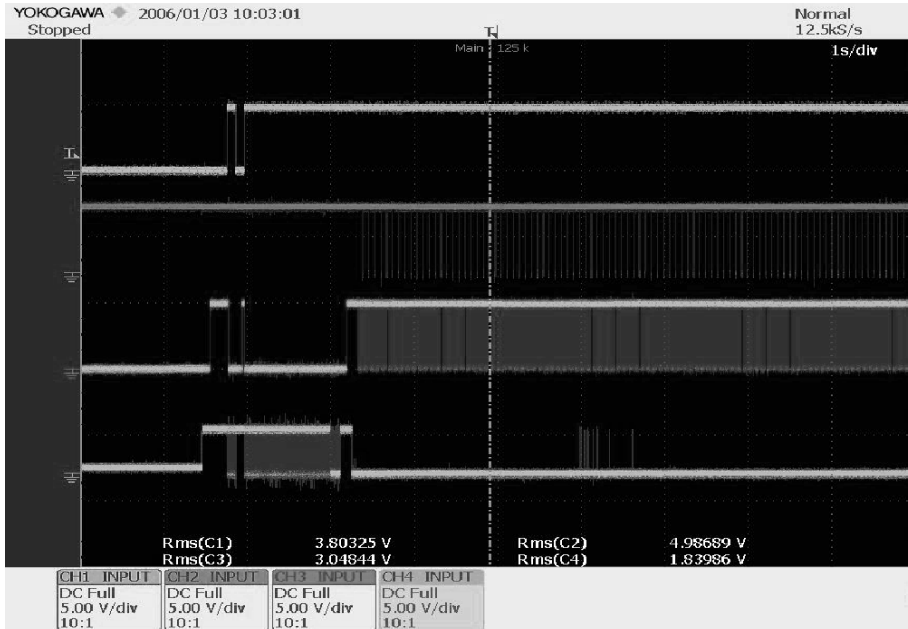


■ USB PART

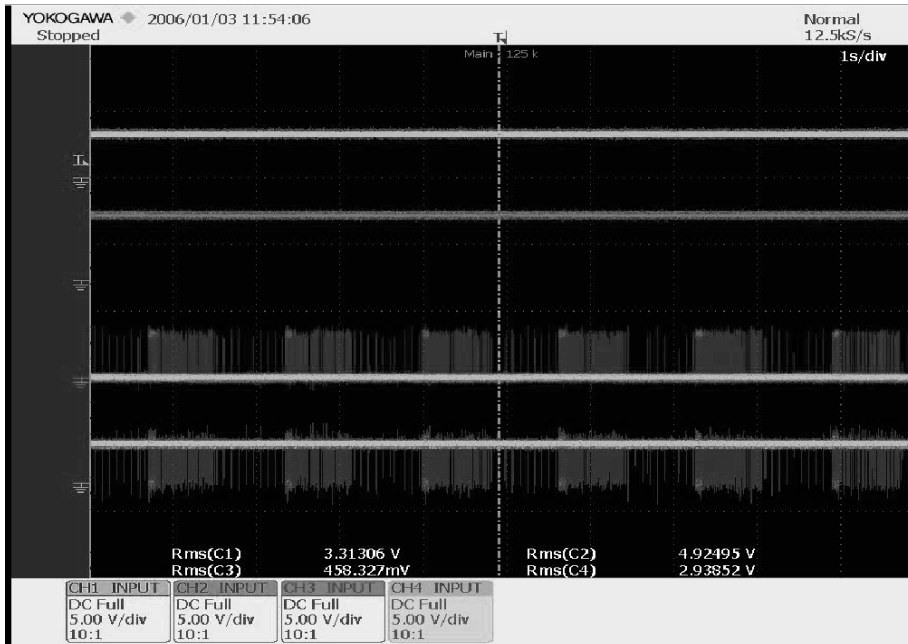


■ WAVEFORM

WHEN POWER ON,RESET &DATA ETC WAVEFORM

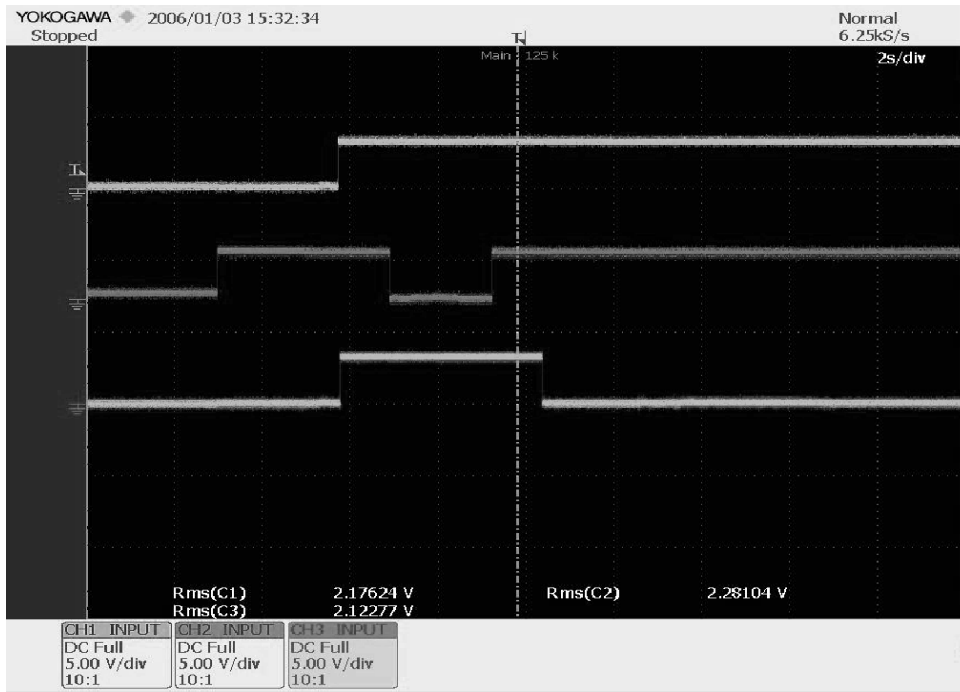


- 1.RESET(DVD)
- 2.RX
- 3.TX
- 4.LCS3#(FLASH)



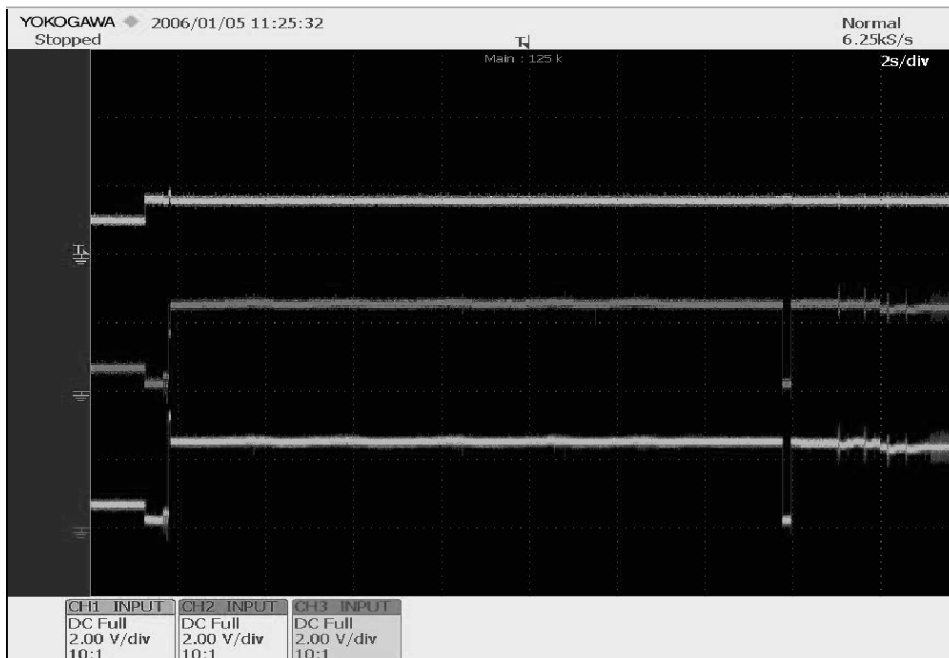
- Playing at USB function
- 1.HRST#
 - 2.5V
 - 3.D-
 - 4.D+

OPEN/CLOSE WAVEFORM AT POWER ON



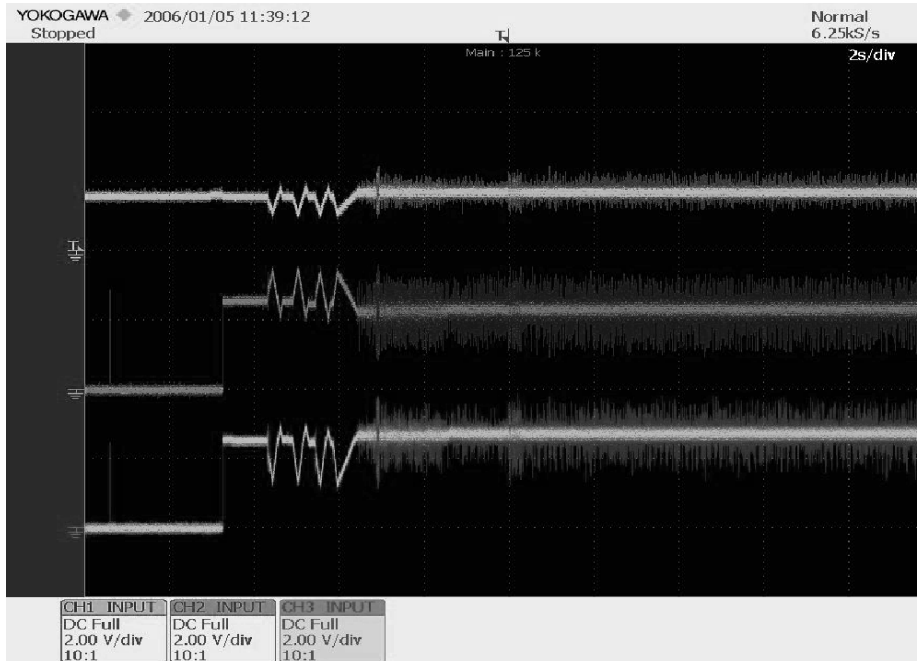
- 1.Limit SW
- 2.OPEN
- 3.CLOSE

STARTING ACTION WAVEFORM IN MD DEVICE



- 1.SLO (from MPEG)
 - 2.SLED-
 - 3.SLED+
- (At Power on)

FOCUS WAVEFORM (AT CD)



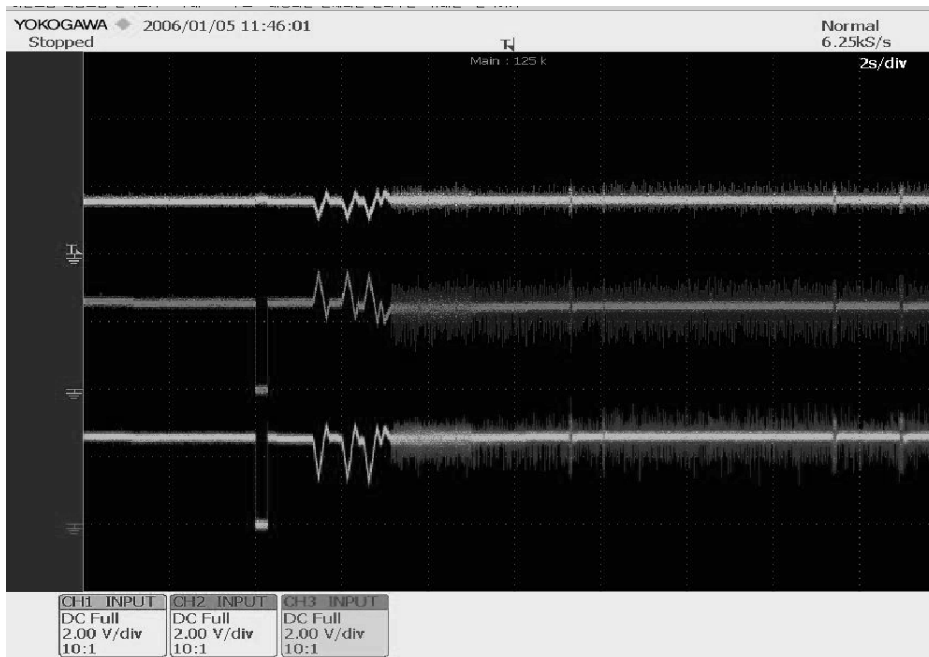
1.FDO

2.F+

3.F-

(INSERT CD)

FOCUS WAVEFORM (AT DVD)



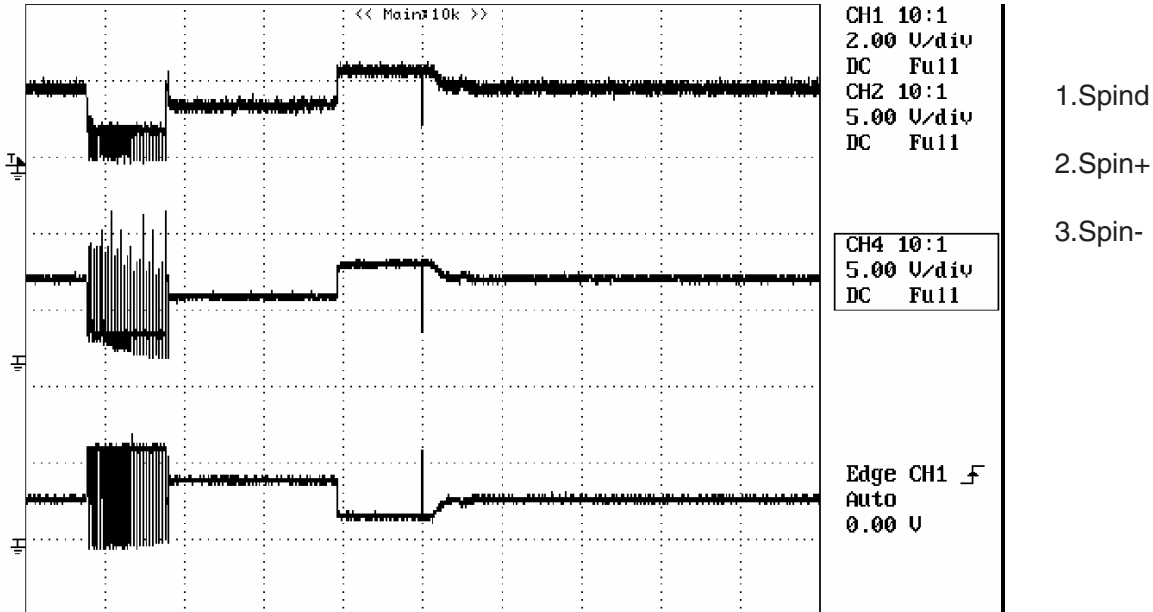
(INSERT DVD)

1.FDO

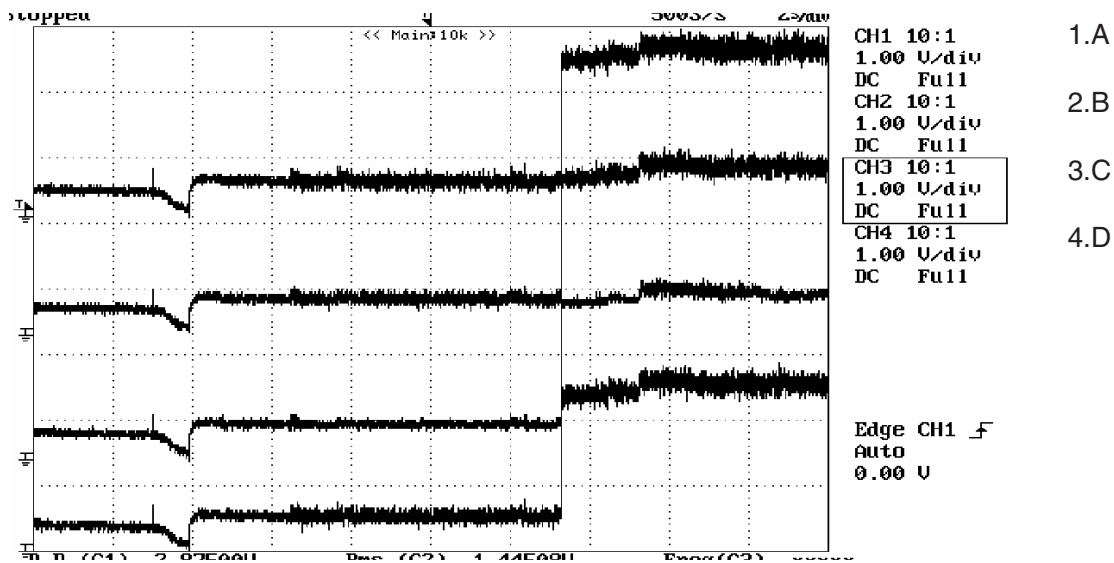
2.F+

3.F-

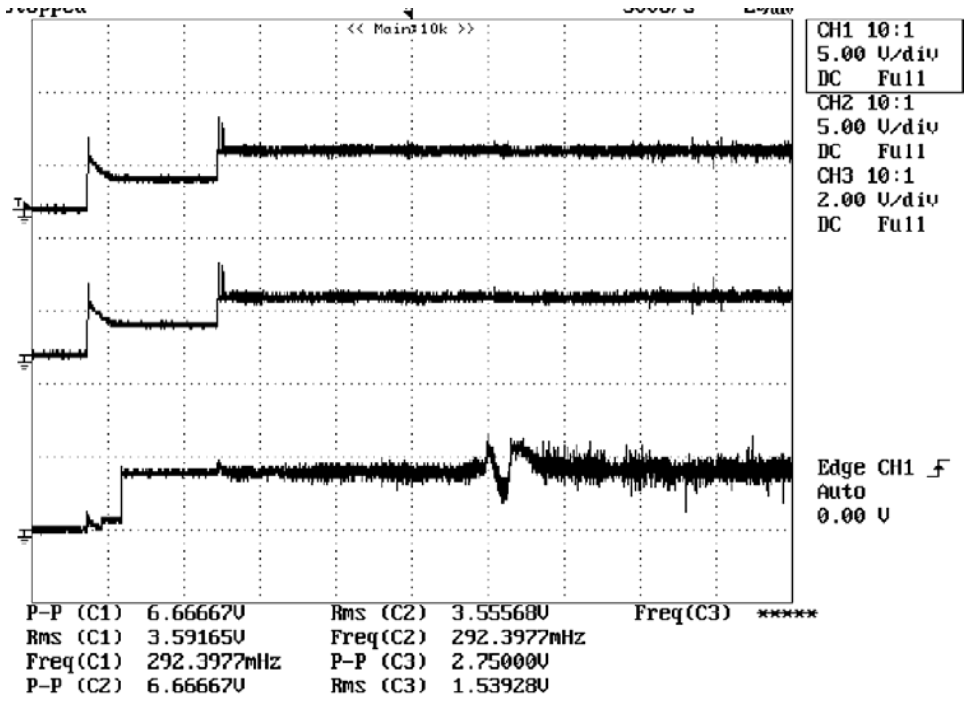
AT POWER ON ,SPINDLE SIGNAL AT MD DECK



AT FIRST ACTION, FOCUS SIGNAL A,B,C,D

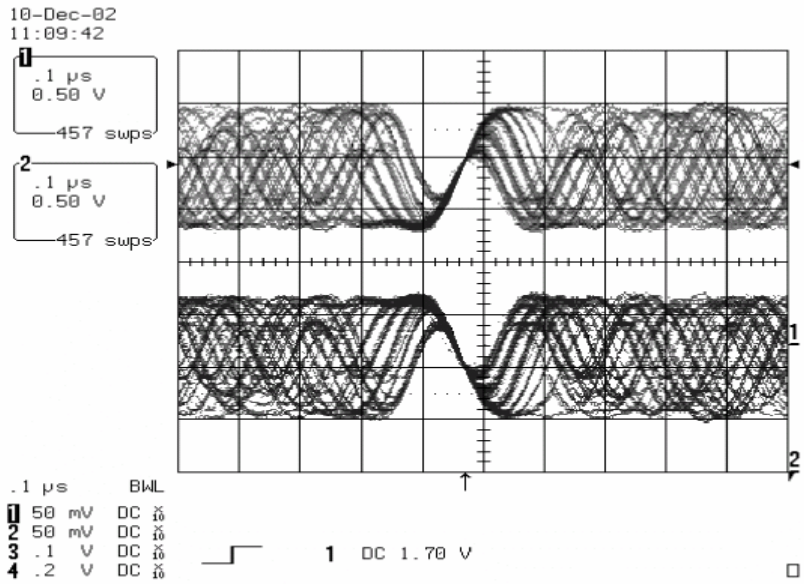


TRACKING SIGNAL

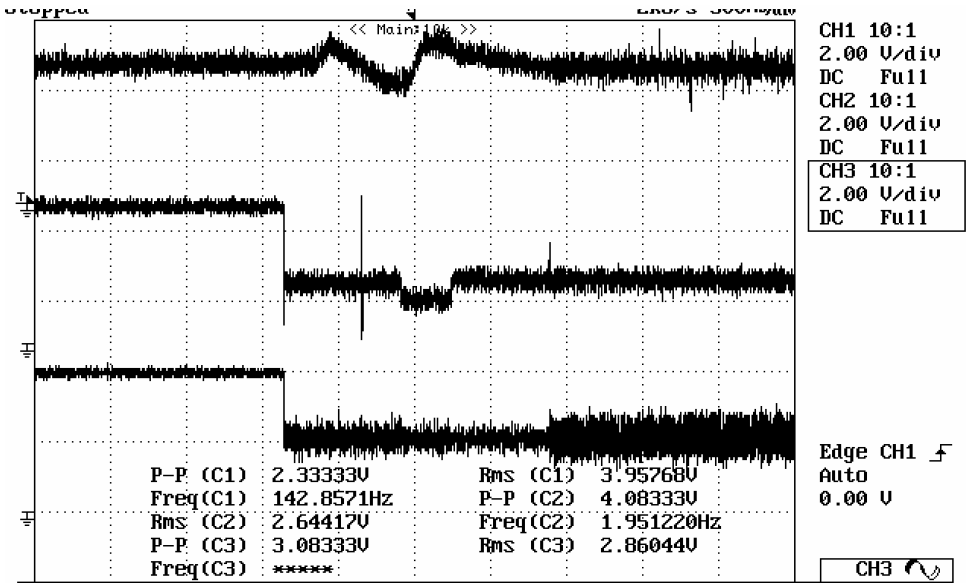


- 1.Tr0
- 2.Tr-
- 3.Tr+

RF WAVEFORM



DISK TYPE JUGEMENT WAVEFORM

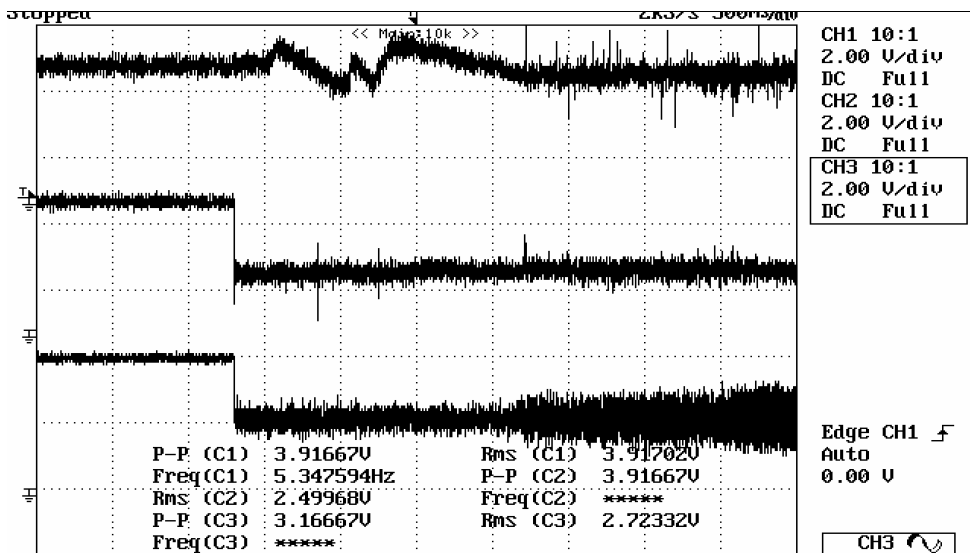


(DVD)

1.F+

2.FDO

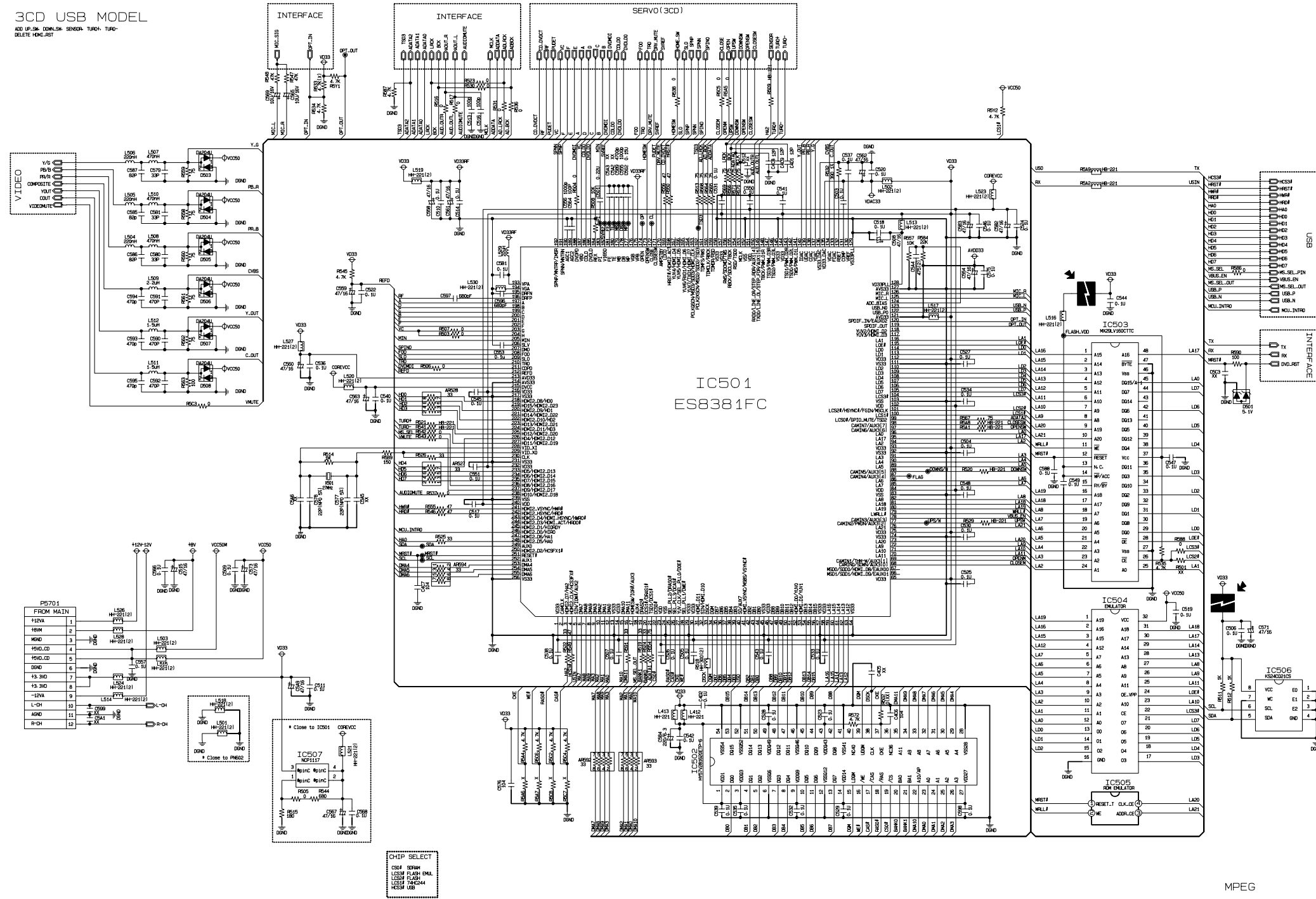
3.SVRRF



(CD)

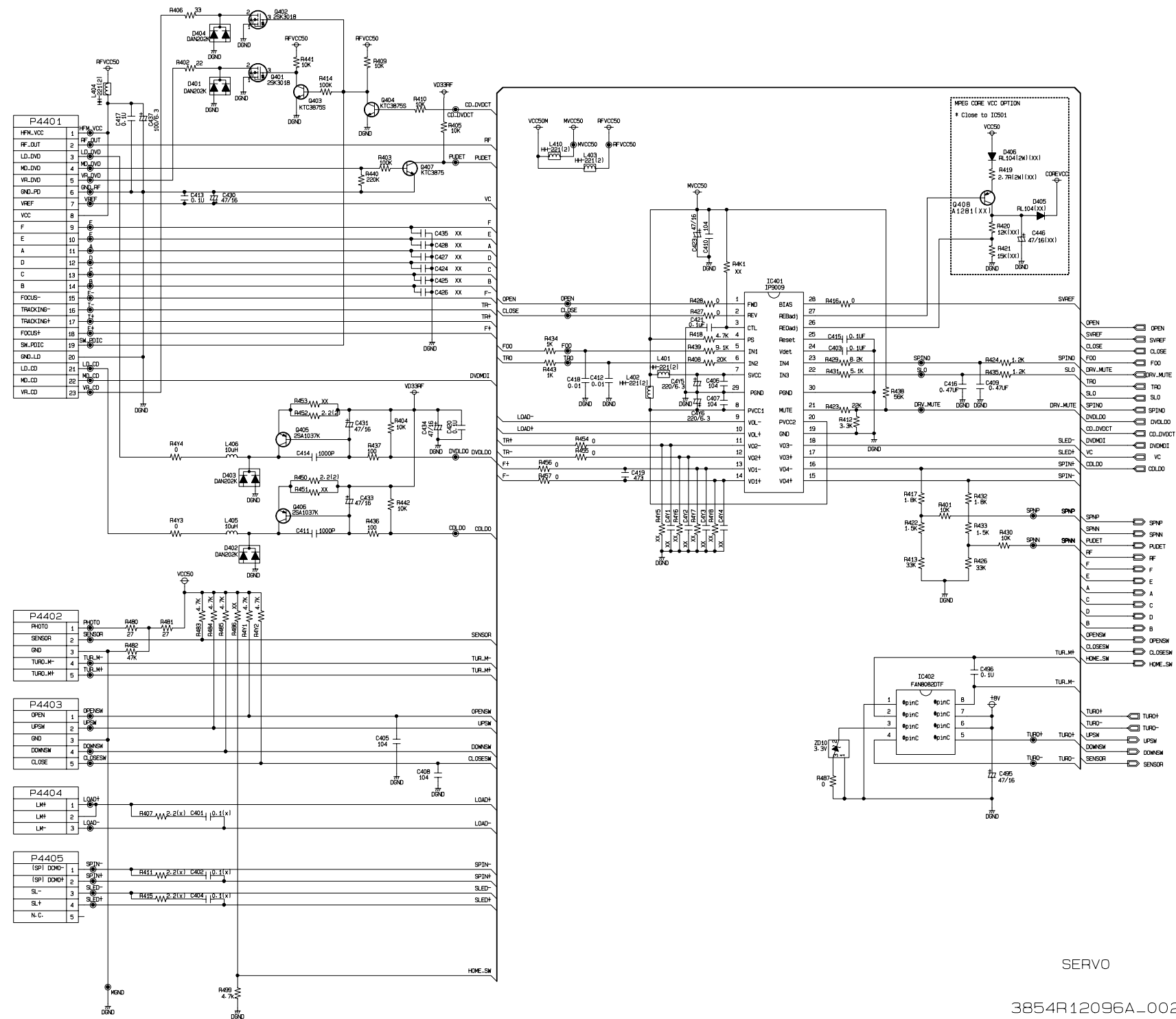
❑ DVD SCHEMATIC DIAGRAMS

• MPEG SCHEMATIC DIAGRAM



MPEG
3854R12096A-001

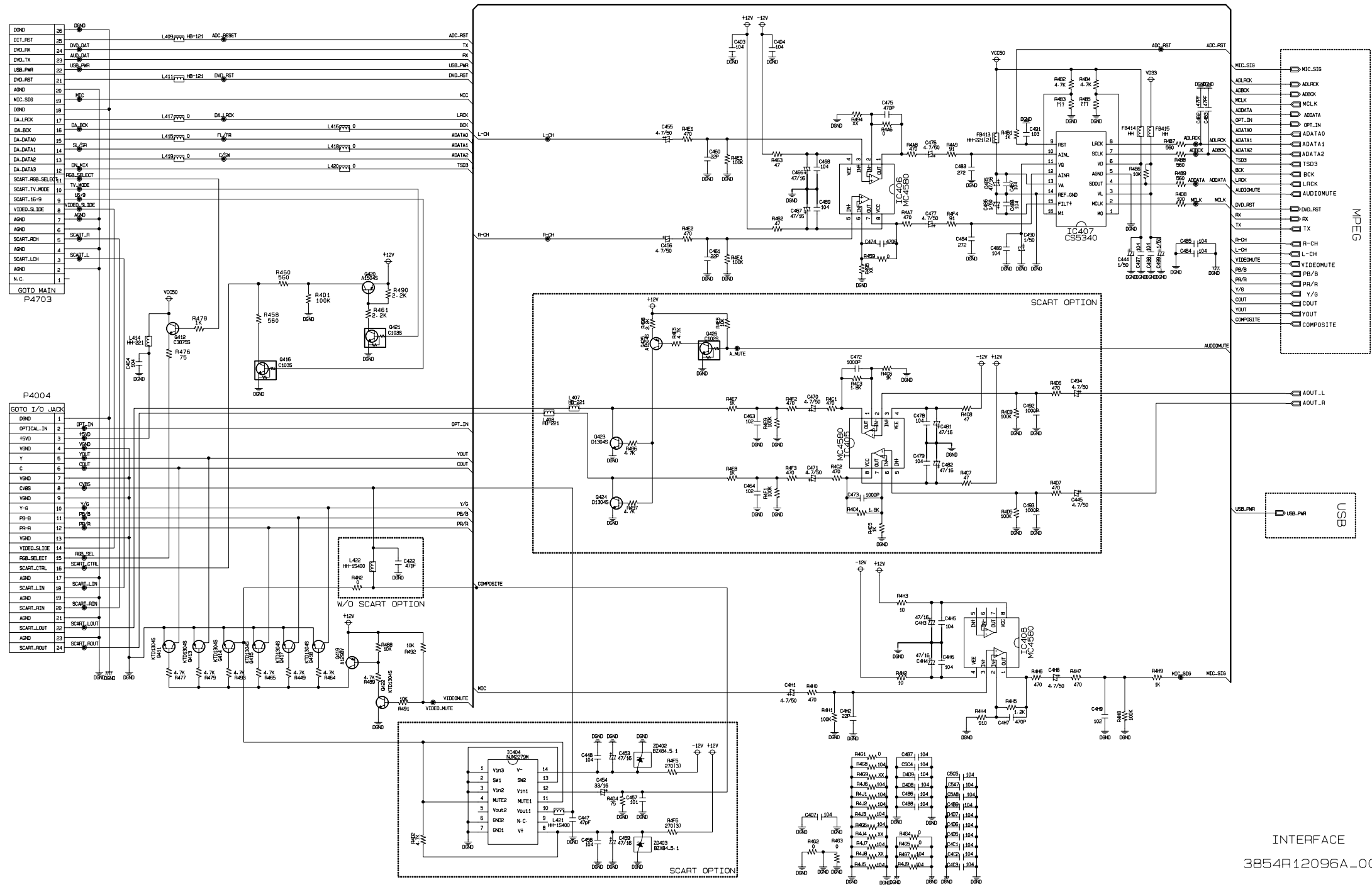
• RF & SERVO SCHEMATIC DIAGRAM



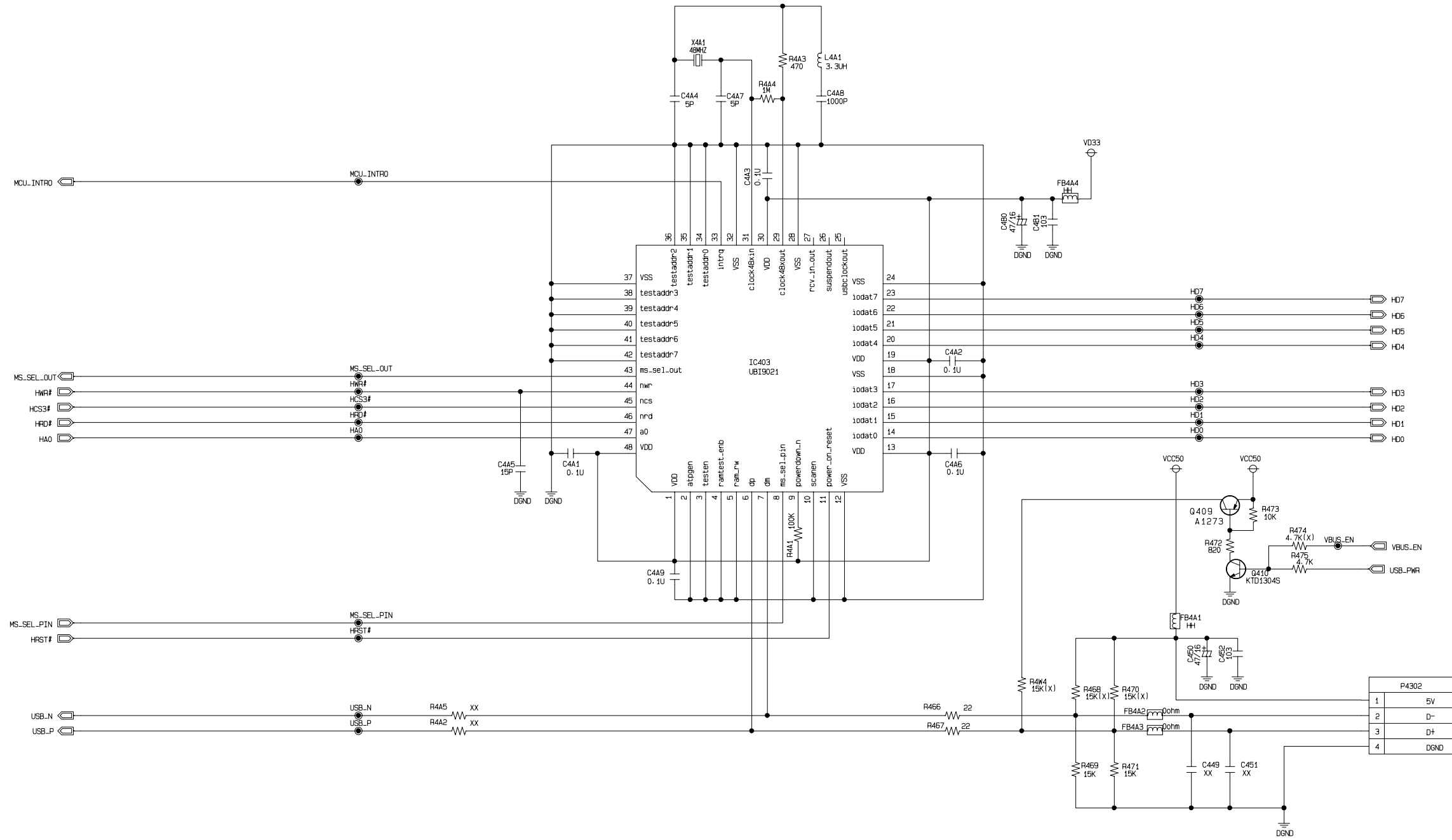
SERVO
3854R12096A_002
8

1. TO MUST INSERT UPPER ROD (FOR EASY MEASUREMENT)
2. PVC MEAN SERVO SIGNAL (FOCUS ERROR/ TRACKING ERROR...) REFERENCE VOLTAGE
3. IF MREG PART USE 1.2 REGULATOR FOR MREG CORE VCC . MREG CORE VCC OPTION DELETE.

• INTERFACE SCHEMATIC DIAGRAM

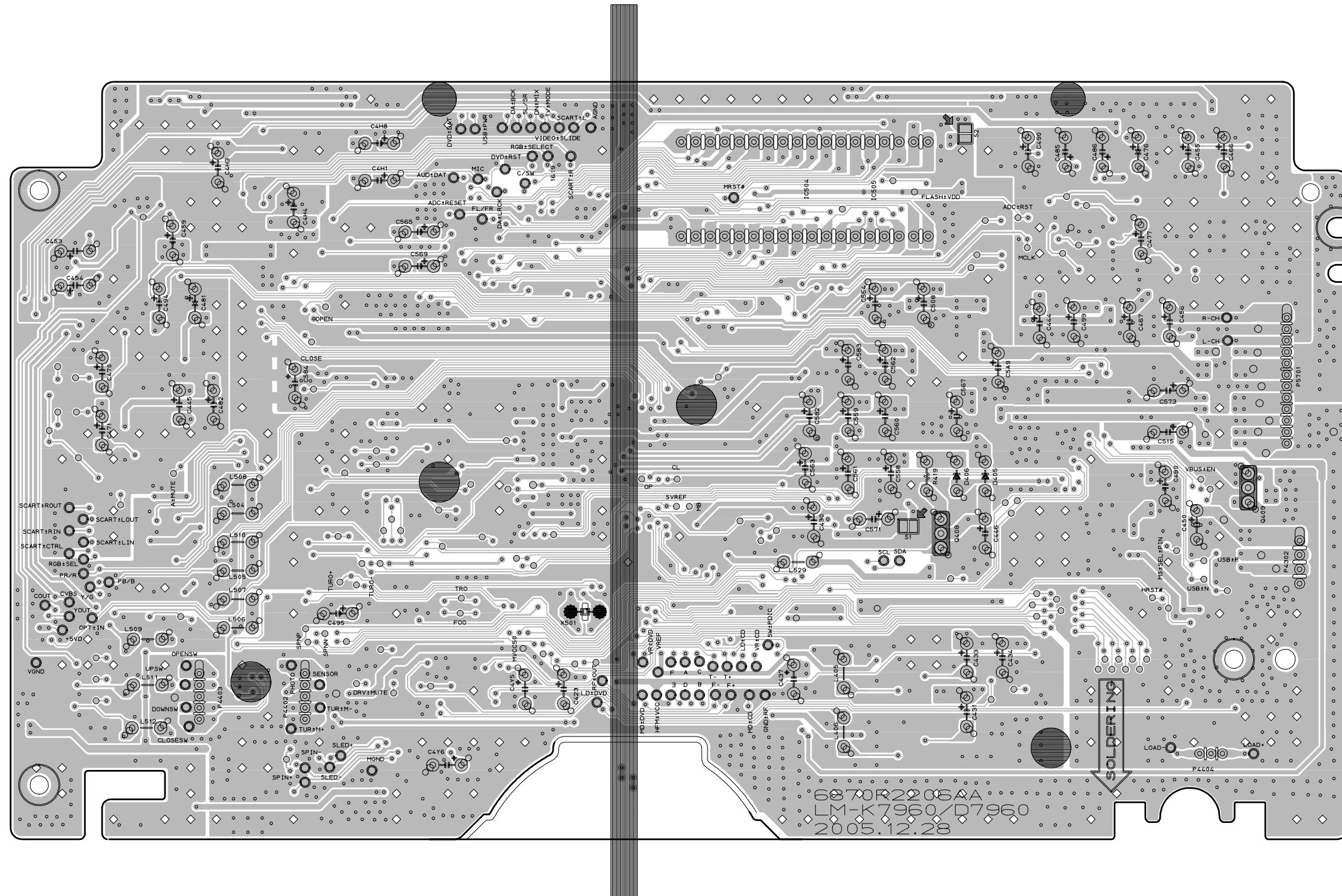


• USB SCHEMATIC DIAGRAM

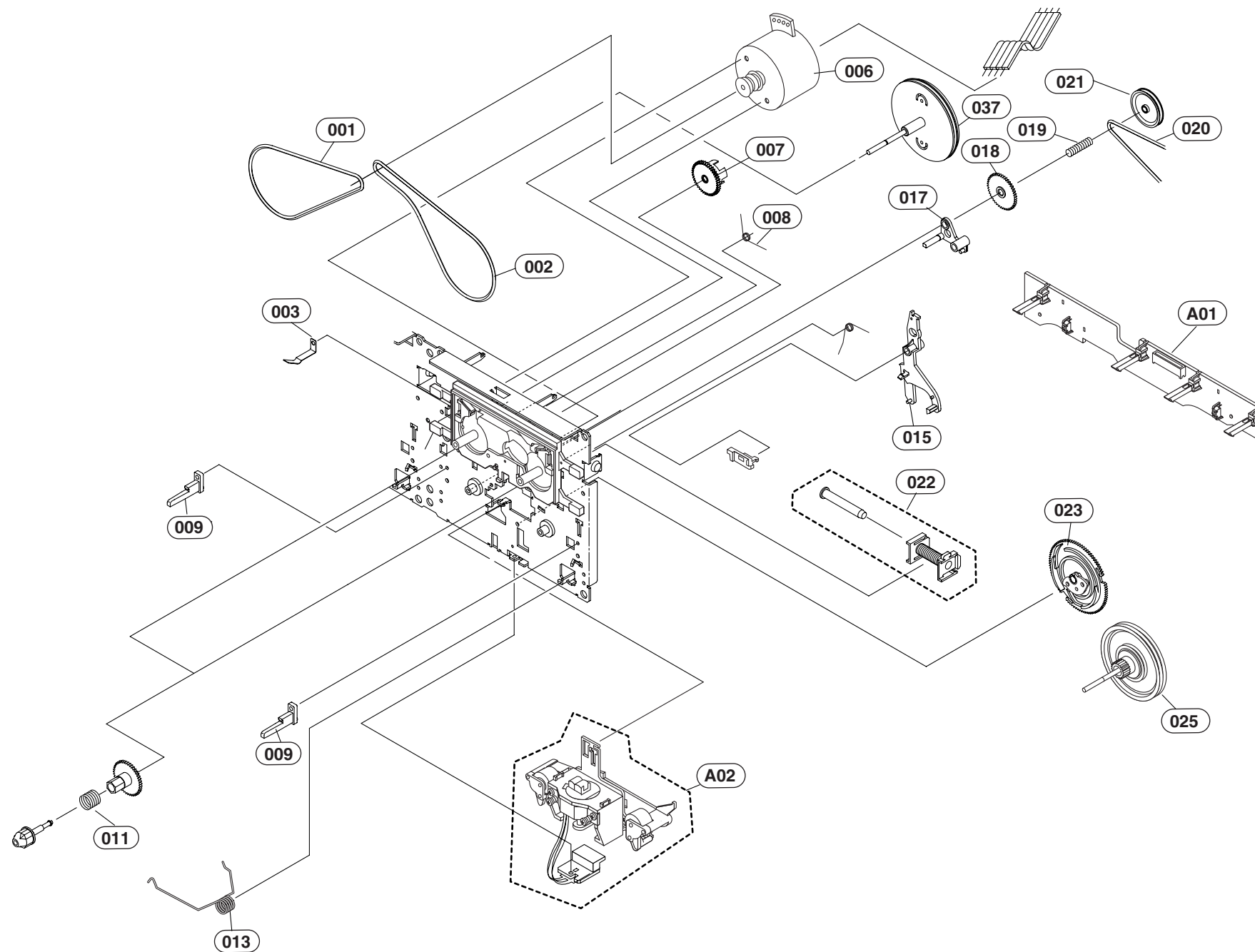


USB
3854R12096A_003

• DVD P.C. BOARD

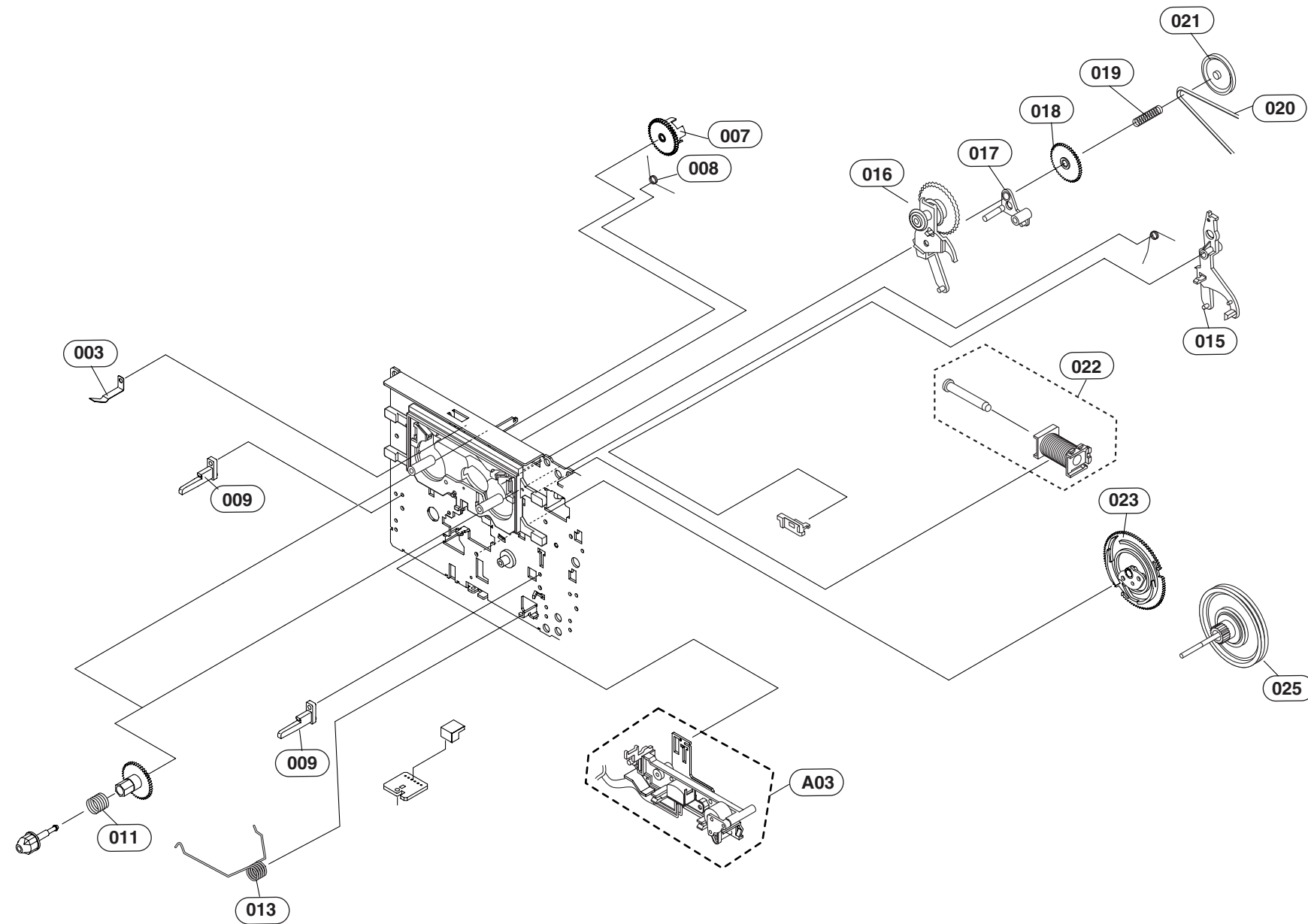


□ TAPE DECK MECHANISM (A/R & A/S : LEFT A/S DECK)



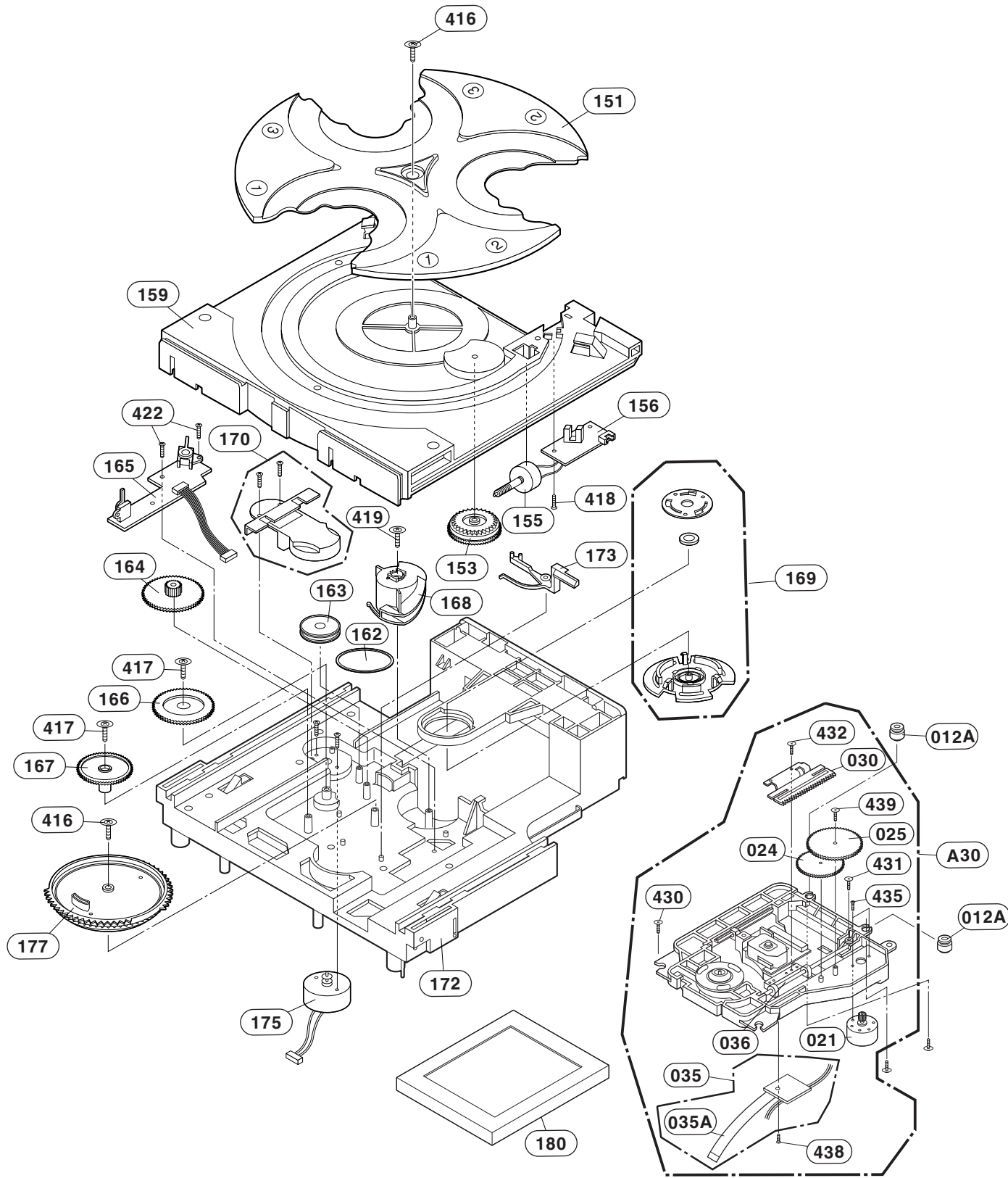
LOCA. NO.	LG PART NO.	DESCRIPTION	SPECIFICATION
A00	6720AG0013A	DECK,AUDIO	CWN42FR605 TOKYO PIG
A01	6768RZUP01A	DECK MECHANISM PARTS	50-093-4XXXX PIGEON UNIT PC
A02	6768R-EP05A	DECK MECHANISM PARTS	50-093-41234 PIGEON HEAD ASSY
001	6768RZBP04A	DECK MECHANISM PARTS	02-083-4266 PIGEON BELT/FEC
002	6768RZBP05A	DECK MECHANISM PARTS	02-083-4267 PIGEON BELT/FEL
003	6768R-PP03A	DECK MECHANISM PARTS	33-160-4309 PIGEON PRESS CASSE
006	6768R-QP04A	DECK MECHANISM PARTS	50-093-41299 PIGEON MOTOR(ASSY
007	6768RZGP03A	DECK MECHANISM PARTS	50-222-41226 PIGEON GEAR ID
008	6768R-SP01F	DECK MECHANISM PARTS	01-082-4598 PIGEON SPRING CWL4
009	6768R-MP01C	DECK MECHANISM PARTS	50-219-4014 PIGEON MOLD CWL44
011	6768R-SP01A	DECK MECHANISM PARTS	01-081-4601 PIGEON SPRING CWL4
013	6768RZSP02A	DECK MECHANISM PARTS	01-082-4688 PIGEON SPRING
015	6768R-AP01A	DECK MECHANISM PARTS	50-268-3016 PIGEON ARM CWL44
017	6768R-AP01C	DECK MECHANISM PARTS	50-239-4072 PIGEON ARM CWL44
018	6768R-GP01J	DECK MECHANISM PARTS	50-222-4428 PIGEON GEAR CRL442
019	6768R-SP01P	DECK MECHANISM PARTS	01-081-4678 PIGEON SPRING CRL4
020	6768R-BP01C	DECK MECHANISM PARTS	02-083-4188 PIGEON BELT/FELT C
021	6768R-LP01C	DECK MECHANISM PARTS	50-223-4429 PIGEON PULLEY/FLYW
022	6768RZVP03A	DECK MECHANISM PARTS	50-093-4780 PIGEON SOLENOID
023	6768RZGP05A	DECK MECHANISM PARTS	50-221-31320 PIGEON GEAR ASSY
025	6768RZJP02A	DECK MECHANISM PARTS	50-093-31032 PIGEON PULLEY/FLY
037	6768R-JP03A	DECK MECHANISM PARTS	50-093-4674 PIGEON PULLEY/FLYW

□ TAPE DECK MECHANISM (A/R & A/S : RIGHT A/R DECK)



LOCA. NO.	LG PART NO.	DESCRIPTION	SPECIFICATION
A00	6720AG0013A	DECK,AUDIO	CWN42FR605 TOKYO PIG
A03	6768RZHP02A	DECK MECHANISM PARTS	ASSY B-DECK PIGEON HEAD
003	6768R-PP03A	DECK MECHANISM PARTS	33-160-4309 PIGEON PRESS CASSE
007	6768RZGP03A	DECK MECHANISM PARTS	50-222-41226 PIGEON GEAR ID
008	6768R-SP01F	DECK MECHANISM PARTS	01-082-4598 PIGEON SPRING CWL4
009	6768R-MP01C	DECK MECHANISM PARTS	50-219-4014 PIGEON CWL44
011	6768R-SP01A	DECK MECHANISM PARTS	01-081-4601 PIGEON SPRING CWL4
013	6768RZSP02A	DECK MECHANISM PARTS	01-082-4688 PIGEON SPRING
015	6768R-AP01A	DECK MECHANISM PARTS	50-268-3016 PIGEON ARM CWL44
016	6768R-GP04A	DECK MECHANISM PARTS	50093-41399 PIGEON GEAR AS
017	6768R-AP01C	DECK MECHANISM PARTS	50-239-4072 PIGEON ARM CWL44
018	6768R-GP01J	DECK MECHANISM PARTS	50-222-4428 PIGEON GEAR CRL442
019	6768R-SP01P	DECK MECHANISM PARTS	01-081-4678 PIGEON SPRING CRL4
020	6768R-BP01C	DECK MECHANISM PARTS	02-083-4188 PIGEON BELT/FELT C
021	6768R-LP01C	DECK MECHANISM PARTS	50-223-4429 PIGEON PULLEY/FLYW
022	6768RZVP03A	DECK MECHANISM PARTS	50-093-4780 PIGEON SOLENOID
023	6768RZGP05A	DECK MECHANISM PARTS	50-221-31320 PIGEON GEAR ASSY
025	6768RZJP02A	DECK MECHANISM PARTS	50-093-31032 PIGEON PULLEY/FLY

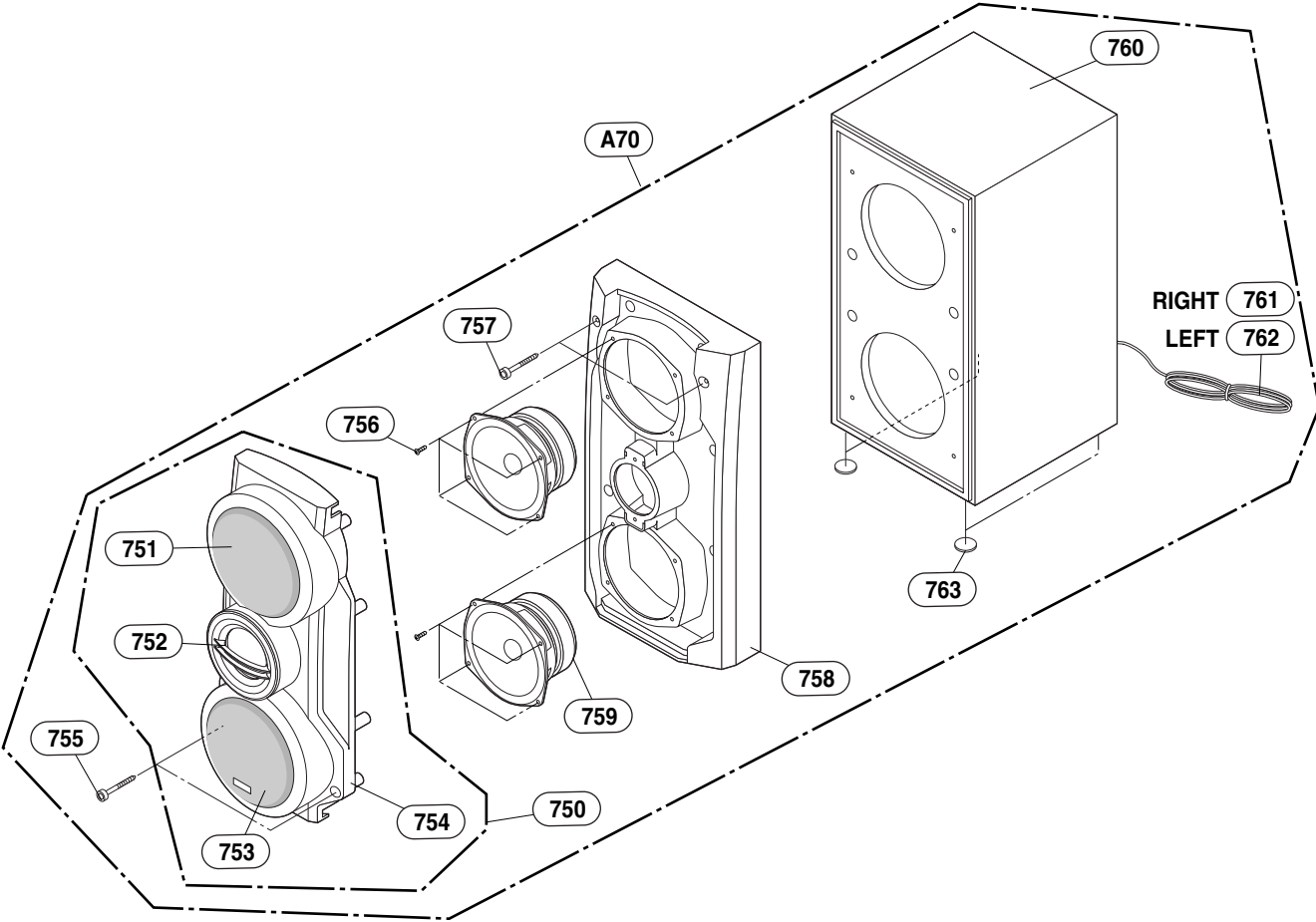
DECK MECHANISM EXPLODED VIEWS



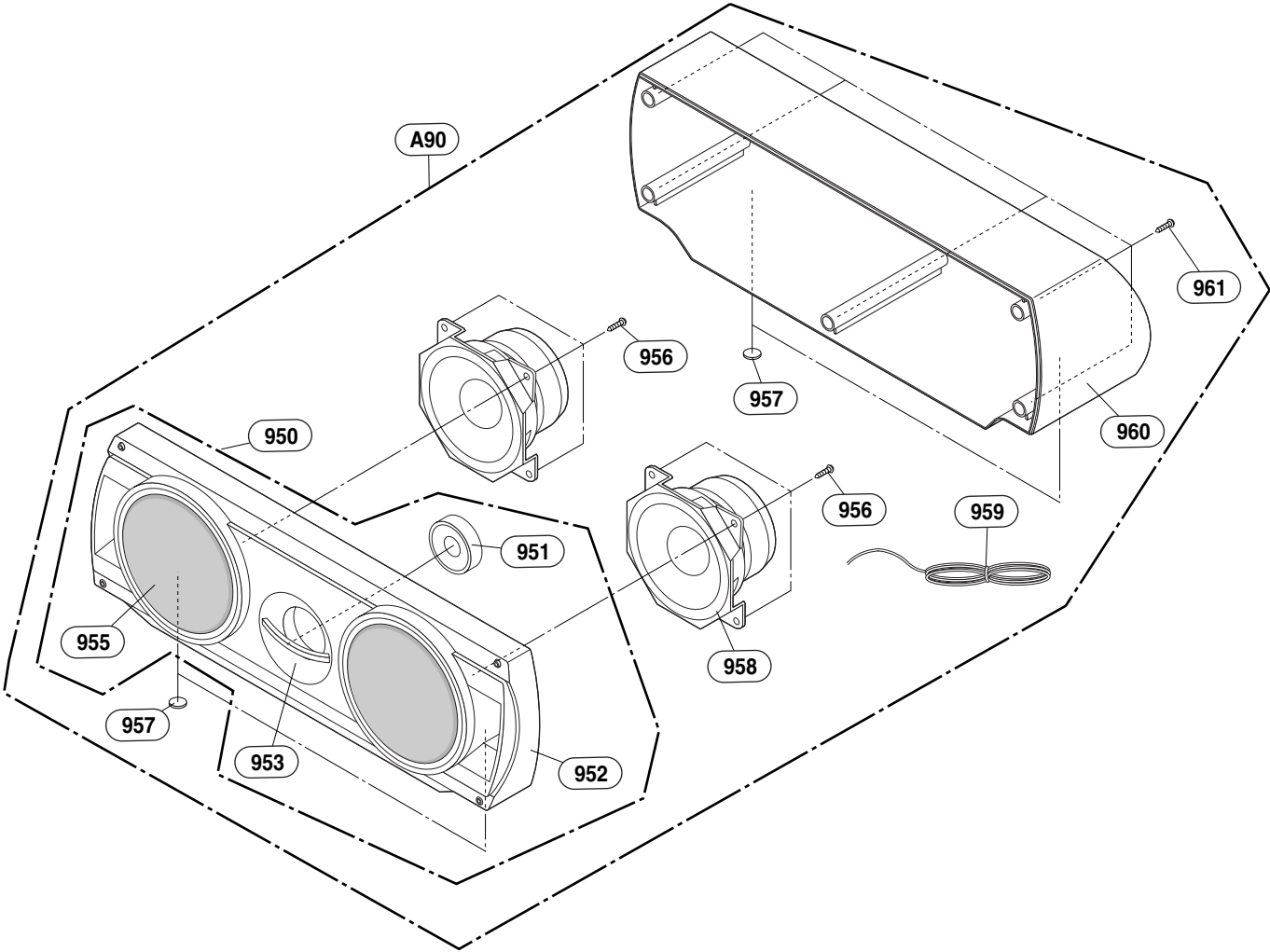
LOCA. NO.	PART NO.	DESCRIPTION	SPECIFICATION
A26	4405RCS007E	MECHANISM ASSEMBLY	DVM-H1523(DP-9 SS P/UP)DVD 3
A30	3041RBD003H	BASE ASSEMBLY	PU (DVM-H1533 DP-10 SS P/UP) H
012	5040R-0110A	RUBBER	DVD REAR DP8 RIGHT 20 OTHER BL
012A	5040R-0110A	RUBBER	DVD REAR DP8 RIGHT 20 OTHER BL
021	4681R-B009C	MOTOR ASSEMBLY	DECK/MECHA DP-10 FEEDING
024	4470R-0179A	GEAR	DVD DP-9 PINION MOLD
025	4470R-0178A	GEAR	DVD DP-9 MIDDLE MOLD
030	4470R-0180A	GEAR	DVD DP-9 RACK MOLD
035	6871R-9295D	PWB(PCB) ASSEMBLY,TOTAL	DP-10 FOR 3 CHANGER FEEDING
035A	6850R-JE20Z	CABLE,FLAT	P=1.0 FFC UL2896(0.05X0.65)11
036	4370R-0136A	SHAFT	DVD PU, DR-02 SUS-420J2 OTHER
151	3390RB0002A	TRAY	DISC(CDM-H1503)
153	4470RB0005A	GEAR	TRAY (CDM-H1503)
155	4681RBA001C	MOTOR ASSEMBLY	HOME TRAY (CDM-H1503) MABUCHI
156	6871RF9211A	PWB(PCB) ASSEMBLY,FRONT	1503 T/D SENSOR
159	3390RB0001B	TRAY	DECK/MECHA CDM-H1503 MOLD LOAD
162	4400R-0012A	BELT	DECK/MECHA MAIN CDM-H1503V OTH
163	4470R-0190A	GEAR	DECK/MECHA PULLEY CDM-H1503V M
164	4470RB0003A	GEAR	LOADING (CDM-H1503)
165	6871RZ7036A	PWB(PCB) ASSEMBLY,OTHERS	CDM-H1503 UP/DW/OP/CL
166	4470RB0006A	GEAR	PU UP (CDM-H1503)
167	4470RB0007A	GEAR	PU DOWN (CDM-H1503)
168	4470RB0002A	GEAR	CAM (CDM-H1503)
169	4861RB0002B	CLAMP ASSEMBLY	DVD DVM-H1513
170	3550R-0685A	COVER	DECK/MECHA GUIDE MOTOR CDM-H15
172	3040RB0005A	BASE	MAIN (CDM-H1503)
173	4510RB0001A	LEVER	S/W CLOSE
175	4681RBA002A	MOTOR ASSEMBLY	HOME LOADING (PULLEY 8.6)
177	4470RB0001A	GEAR	MAIN (CDM-H1503)
180	3210R-M009A	FRAME	UD MOLD DVM-H1523V
416	88H-0004	CD MECHA PARTS	3X12X12FNM
417	88H-0002	CD MECHA PARTS	3X9X12FZMY
418	88H-0003	SCREW,DRAWING	#NAME?
419	88H-0004	CD MECHA PARTS	3X12X10FZMY
422	88H-0005	SCREW	#NAME?
430	88H-0006	SCREW,DRAWING	+ 1 D1.7 L7.0 SWCH18A/BZN DP8
431	88H-0007	SCREW,DRAWING	+ 1 D1.7 L4.5 SWCH18A/NI DP8 P
432	88H-0008	SCREW,DRAWING	+ 1 D1.7 L4.5 SWRCH18A/FZY DP8
435	88H-0009	SCREW,DRAWING	MACHINE
439	88H-0010	SCREW,DRAWING	+ 1 D1.7 L10.0 SWRCH18A/FZW DP

SECTION 5. SPEAKER SECTION

□ MODEL: LMS-K6960V



□ MODEL: LMS-K6960C



□ MODEL: LMS-K6960S

