



North/Latin America  
Europe/Africa  
Asia/Oceania

Internal Use Only

<http://aic.lgservice.com>  
<http://eic.lgservice.com>  
<http://biz.lgservice.com>

# LCD TV

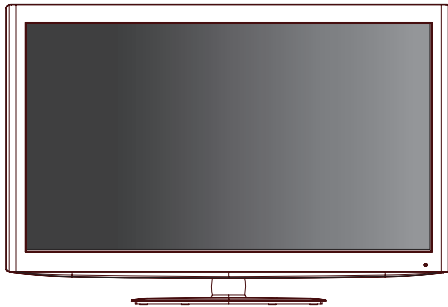
# SERVICE MANUAL

CHASSIS : LD03B

**MODEL : 42LD750/750N 42LD750/750N-ZA**  
**42LD790 42LD790-ZA**  
**42LD751 42LD751-ZB**

## CAUTION

BEFORE SERVICING THE CHASSIS,  
READ THE SAFETY PRECAUTIONS IN THIS MANUAL.



P/NO : MFL62863019 (1002-REV00)

Printed in Korea

# CONTENTS

<b>CONTENTS .....</b>	<b>2</b>
<b>PRODUCT SAFETY .....</b>	<b>3</b>
<b>SPECIFICATION .....</b>	<b>4</b>
<b>ADJUSTMENT INSTRUCTION .....</b>	<b>7</b>
<b>BLOCK DIAGRAM.....</b>	<b>14</b>
<b>EXPLODED VIEW .....</b>	<b>15</b>
<b>SVC. SHEET .....</b>	

# SAFETY PRECAUTIONS

## IMPORTANT SAFETY NOTICE

Many electrical and mechanical parts in this chassis have special safety-related characteristics. These parts are identified by  $\triangle$  in the Schematic Diagram and Exploded View.

It is essential that these special safety parts should be replaced with the same components as recommended in this manual to prevent Shock, Fire, or other Hazards.

Do not modify the original design without permission of manufacturer.

### General Guidance

An **isolation Transformer should always be used** during the servicing of a receiver whose chassis is not isolated from the AC power line. Use a transformer of adequate power rating as this protects the technician from accidents resulting in personal injury from electrical shocks.

It will also protect the receiver and its components from being damaged by accidental shorts of the circuitry that may be inadvertently introduced during the service operation.

If any fuse (or Fusible Resistor) in this TV receiver is blown, replace it with the specified.

When replacing a high wattage resistor (Oxide Metal Film Resistor, over 1 W), keep the resistor 10 mm away from PCB.

Keep wires away from high voltage or high temperature parts.

### Before returning the receiver to the customer,

always perform an **AC leakage current check** on the exposed metallic parts of the cabinet, such as antennas, terminals, etc., to be sure the set is safe to operate without damage of electrical shock.

### Leakage Current Cold Check(Antenna Cold Check)

With the instrument AC plug removed from AC source, connect an electrical jumper across the two AC plug prongs. Place the AC switch in the on position, connect one lead of ohm-meter to the AC plug prongs tied together and touch other ohm-meter lead in turn to each exposed metallic parts such as antenna terminals, phone jacks, etc.

If the exposed metallic part has a return path to the chassis, the measured resistance should be between 1 M $\Omega$  and 5.2 M $\Omega$ .

When the exposed metal has no return path to the chassis the reading must be infinite.

An other abnormality exists that must be corrected before the receiver is returned to the customer.

### Leakage Current Hot Check (See below Figure)

Plug the AC cord directly into the AC outlet.

### Do not use a line Isolation Transformer during this check.

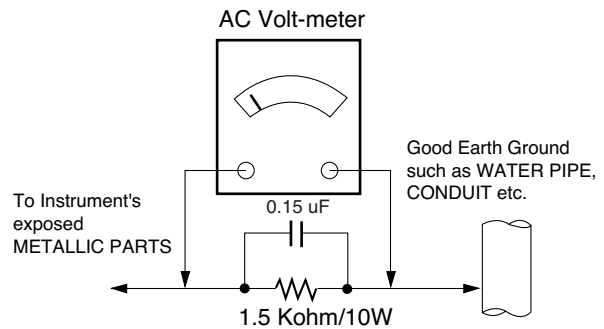
Connect 1.5 K / 10 watt resistor in parallel with a 0.15 uF capacitor between a known good earth ground (Water Pipe, Conduit, etc.) and the exposed metallic parts.

Measure the AC voltage across the resistor using AC voltmeter with 1000 ohms/volt or more sensitivity.

Reverse plug the AC cord into the AC outlet and repeat AC voltage measurements for each exposed metallic part. Any voltage measured must not exceed 0.75 volt RMS which corresponds to 0.5 mA.

In case any measurement is out of the limits specified, there is possibility of shock hazard and the set must be checked and repaired before it is returned to the customer.

### Leakage Current Hot Check circuit



When 25A is impressed between Earth and 2nd Ground for 1 second, Resistance must be less than 0.1  $\Omega$

\*Base on Adjustment standard

# SPECIFICATION

NOTE : Specifications and others are subject to change without notice for improvement.

## 1. Application range

This specification is applied to the LCD TV used LD03B chassis.

## 2. Requirement for Test

Each part is tested as below without special appointment.

- 1) Temperature: 25 °C ± 5 °C(77 °F ± 9 °F), CST: 40 °C ± 5 °C
- 2) Relative Humidity : 65 % ± 10 %
- 3) Power Voltage  
: Standard input voltage (AC 100-240 V~ 50 / 60 Hz)  
\* Standard Voltage of each products is marked by models.
- 4) Specification and performance of each parts are followed each drawing and specification by part number in accordance with BOM.
- 5) The receiver must be operated for about 5 minutes prior to the adjustment.

## 3. Test method

- 1) Performance: LGE TV test method followed
- 2) Demanded other specification
  - Safety : CE, IEC specification
  - EMC :CE, IEC

## 4. Module optical specification

No.	Item	Specification	Min.	Typ.	Max.	Remark	
1.	Viewing Angle<CR>10>	Right/Left/Up/Down	89/89/89/89			CR > 10	
2.	Luminance	Luminance (cd/m <sup>2</sup> )	400	500			
		Variation			1.3	MAX /MIN	
3.	Contrast Ratio	CR	1100	1500			
4.	CIE Color Coordinates	White	Typ. -0.03	Wx	0.279	Typ. +0.03	All white / All black
				Wy	0.292		
		RED		Xr	0.636		
				Yr	0.335		
		Green		Xg	0.291		
				Yg	0.603		
		Blue		Xb	0.146		
				Yb	0.061		

- 1) Standard Test Condition (The unit has been 'ON')
- 2) Stable for approximately 60 minutes in a dark environment at 25 °C.
- 3) The values specified are at approximate distance 50 cm from the LCD surface.

## 6. Component Video Input (Y, Cb/Pb, Cr/Pr)

No.	Specification				Remark
	Resolution	H-freq(kHz)	V-freq(Hz)		
1.	720x480	15.73	60.00	SDTV,DVD 480i	
2.	720x480	15.63	59.94	SDTV,DVD 480i	
3.	720x480	31.47	59.94	480p	
4.	720x480	31.50	60.00	480p	
5.	720x576	15.625	50.00	SDTV,DVD 625 Line	
6.	720x576	31.25	50.00	HDTV 576p	
7.	1280x720	45.00	50.00	HDTV 720p	
8.	1280x720	44.96	59.94	HDTV 720p	
9.	1280x720	45.00	60.00	HDTV 720p	
10.	1920x1080	31.25	50.00	HDTV 1080i	
11.	1920x1080	33.75	60.00	HDTV 1080i	
12.	1920x1080	33.72	59.94	HDTV 1080i	
13.	1920x1080	56.250	50	HDTV 1080p	
14.	1920x1080	67.5	60	HDTV 1080p	

## 7. RGB (PC)

No.	Specification				Proposed	Remarks
	Resolution	H-freq(kHz)	V-freq(Hz)	Pixel Clock(MHz)		
1.	720*400	31.468	70.08	28.321		For only DOS mode
2.	640*480	31.469	59.94	25.17	VESA	Input 848*480 60Hz, 852*480 60 Hz -> 640*480 60 Hz Display
3.	800*600	37.879	60.31	40.00	VESA	
4.	1024*768	48.363	60.00	65.00	VESA(XGA)	
5.	1280*768	47.78	59.87	79.5	WXGA	
6.	1360*768	47.72	59.8	84.75	WXGA	
7.	1280*1024	63.595	60.0	108.875	SXGA	FHD model
8.	1920*1080	66.587	59.93	138.625	WUXGA	FHD model

## 8. HDMI Input

### (1) DTV Mode

No.	Resolution	H-freq(kHz)	V-freq.(Hz)	Pixel clock(MHz)	Proposed	Remark
1.	720*480	31.469 /31.5	59.94 /60	27.00/27.03	SDTV 480P	
2.	720*576	31.25	50	54	SDTV 576P	
3.	1280*720	37.500	50	74.25	HDTV 720P	
4.	1280*720	44.96 /45	59.94 /60	74.17/74.25	HDTV 720P	
5.	1920*1080	33.72 /33.75	59.94 /60	74.17/74.25	HDTV 1080I	
6.	1920*1080	28.125	50.00	74.25	HDTV 1080I	
7.	1920*1080	26.97 /27	23.97 /24	74.17/74.25	HDTV 1080P	
8.	1920*1080	33.716 /33.75	29.976 /30.00	74.25	HDTV 1080P	
9.	1920*1080	56.250	50	148.5	HDTV 1080P	
10.	1920*1080	67.43 /67.5	59.94 /60	148.35/148.50	HDTV 1080P	

### (2) PC Mode

No.	Resolution	H-freq(kHz)	V-freq.(Hz)	Pixel clock(MHz)	Proposed	Remark
1.	720*400	31.468	70.08	28.321		HDCP
2.	640*480	31.469	59.94	25.17	VESA	HDCP
3.	800*600	37.879	60.31	40.00	VESA	HDCP
4.	1024*768	48.363	60.00	65.00	VESA(XGA)	HDCP
5.	1280*768	47.78	59.87	79.5	WXGA	HDCP
6.	1360*768	47.72	59.8	84.75	WXGA	HDCP
7.	1280*1024	63.595	60.0	108.875	SXGA	HDCP/FHD model
8.	1920*1080	67.5	60.00	138.625	WUXGA	HDCP/FHD model

# ADJUSTMENT INSTRUCTION

## 1. Application Range

This specification sheet is applied to all of the LCD TV with LD03B chassis.

## 2. Designation

- (1) Because this is not a hot chassis, it is not necessary to use an isolation transformer. However, the use of isolation transformer will help protect test instrument.
- (2) Adjustment must be done in the correct order.
- (3) The adjustment must be performed in the circumstance of  $25\text{ }^{\circ}\text{C} \pm 5\text{ }^{\circ}\text{C}$  of temperature and  $65\% \pm 10\%$  of relative humidity if there is no specific designation.
- (4) The input voltage of the receiver must keep AC 100-240 V~ 50 / 60Hz.
- (5) The receiver must be operated for about 5 minutes prior to the adjustment when module is in the circumstance of over 15.

In case of keeping module is in the circumstance of  $0\text{ }^{\circ}\text{C}$ , it should be placed in the circumstance of above  $15\text{ }^{\circ}\text{C}$  for 2 hours

In case of keeping module is in the circumstance of below  $-20\text{ }^{\circ}\text{C}$ , it should be placed in the circumstance of above  $15\text{ }^{\circ}\text{C}$  for 3 hours.

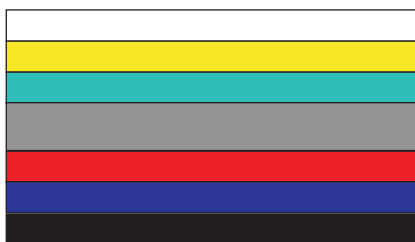
### [Caution]

When still image is displayed for a period of 20 minutes or longer (especially where W/B scale is strong. Digital pattern 13ch and/or Cross hatch pattern 09ch), there can some afterimage in the black level area.

## 3. Automatic Adjustment

### 3.1. ADC Adjustment

- (1) Overview  
ADC adjustment is needed to find the optimum black level and gain in Analog-to-Digital device and to compensate RGB deviation.
- (2) Equipment & Condition
  - 1) Jig (RS-232C protocol)
  - 2) MSPG-925 Series Pattern Generator(MSPG-925FA, pattern - 65)
    - Resolution : 480i Comp1  
1080P Comp1  
1920\*1080 RGB
    - Pattern : Horizontal 100% Color Bar Pattern
    - Pattern level :  $0.7 \pm 0.1$  Vp-p
    - Image



### (3) Adjustment

#### 1) Adjustment method

- Using RS-232, adjust items listed in 3.1 in the other shown in "3.1.(3).3"

#### 2) Adj. protocol

Protocol	Command	Set ACK
Enter adj. mode	aa 00 00	a 00 OK00x
Source change	xb 00 40	b 00 OK40x (Adjust 480i Comp1 ) (Adjust 1080p Comp1)
	xb 00 60	b 00 OK60x (Adjust 1080p RGB)
Begin adj.	ad 00 10	
Return adj. result		OKx (Case of Success) NGx (Case of Fail)
Read adj. data	(main) ad 00 20	(main: component1 480i, RGB 1080p) 0000000000000000000000000007c007b006dx
	(main) ad 00 30	(main: component1 108p) 0000000700000000000000000007c00830077x
Confirm adj.	ad 00 99	NG 03 00x (Fail) NG 03 01x (Fail) NG 03 02x (Fail) OK 03 03x (Success)
End adj.	aa 00 90	a 00 OK90x

Ref.) ADC Adj. RS232C Protocol\_Ver1.0

#### 3) Adj. order

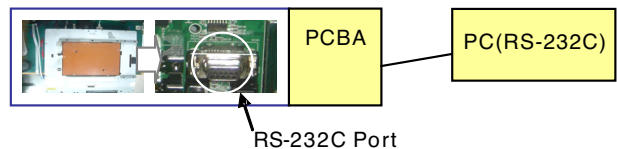
- aa 00 00 [Enter ADC adj. mode]
- xb 00 40 [Change input source to Component1(No action)]
- ad 00 10 [Adjust 480i Comp1]
- ad 00 10 [Adjust 1080p Comp1]
- xb 00 60 [Change input source to RGB(No action)]
- ad 00 10 [Adjust 1080p RGB]
- ad 00 90 End adj.

### 3.2. MAC Address Write

#### (1) Equipment & Condition

- Play file: Serial.exe
- MAC Address edit
- Input Start / End MAC address

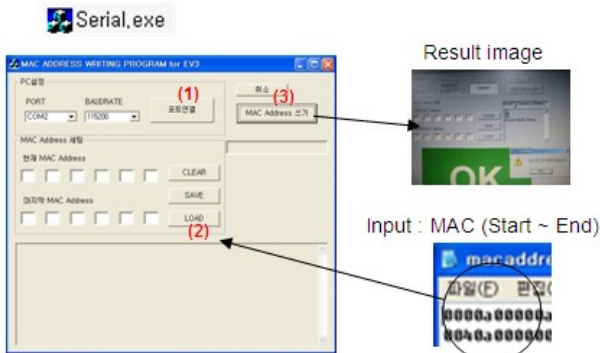
#### (2) Download method



#### 1) Communication Prot connection

Connect: PCBA Jig-> RS-232C Port== PC-> RS-232C Port

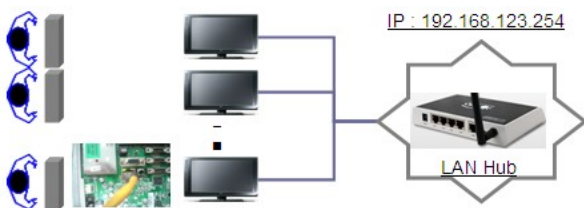
- MAC Address Download
  - Com 1,2,3,4 and 115200(Baud rate)
  - Port connection button click(1)



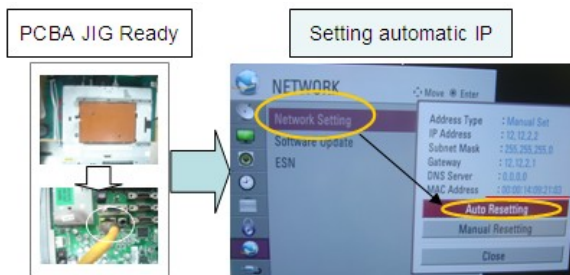
- Load button click(2) for MAC Address write.
- Start MAC Address write button(3)
- Check the OK or NG

### 3.3. LAN

- Equipment & Condition
  - Each other connection to LAN Port of IP Hub and Jig

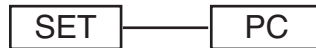


- LAN inspection solution
  - LAN Port connection with PCBA
  - Network setting at MENU Mode of TV
  - setting automatic IP
  - Setting state confirmation
  - > If automatic setting is finished, you confirm IP and MAC Address.



### 3.4. LAN PORT INSPECTION(PING TEST)

Connect SET -> LAN port == PC -> LAN Port

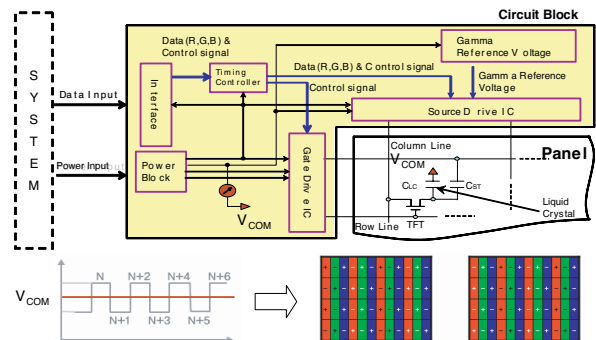


- Equipment setting
  - Play the LAN Port Test PROGRAM.
  - Input IP set up for an inspection to Test Program.
    - \*IP Number : 12.12.2.2
- LAN PORT inspection (PING TEST)
  - Play the LAN Port Test Program.
  - Connect each other LAN Port Jack.
  - Play Test (F9) button and confirm OK Message.
  - Remove LAN CABLE



### 3.5. V-COM Adjust(Only LGD(M+S) Module)

- Why need Vcom adjustment?
  - The Vcom (Common Voltage) is a Reference Voltage of Liquid Crystal Driving.
  - > Liquid Crystal need for Polarity Change with every frame.





- Adjust sequence

- Press the PIP key of the ADJ remote control.(This PIP key is hot key to enter the VCOM adjusting mode)  
(Or After enter Service Mode by pushing “ADJ” key, then Enter V-Com Adjust mode by pushing “▶” key at “10. V-Com”)
- As pushing the right or the left button on the remote control, and find the V-COM value Which is no or minimized the Flicker.  
(If there is no flicker at default value, Press the exit key and finish the VCOM adjustment.)
- Push the OK key to store value. Then the message “Saving OK” is pop.
- Press the exit key to finish VCOM adjustment.



[Visual Adjust and control the Voltage level]

### 3.6. Model name & serial number download

(1) Model name & Serial number D/L

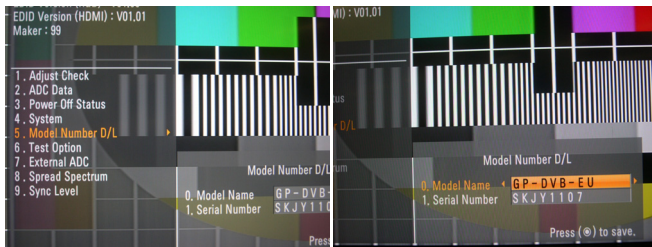
- Press “Power on” key of service remote control.(Baud rate : 115200 bps)
- Connect RS232 Signal Cable to RS-232 Jack.
- Write Serial number by use RS-232.
- Must check the serial number at Instart menu.

(2) Method & notice

- A. Serial number D/L is using of scan equipment.
- B. Setting of scan equipment operated by Manufacturing Technology Group.
- C. Serial number D/L must be conformed when it is produced in production line, because serial number D/L is mandatory by D-book 4.0

\* Manual Download (Model Name and Serial Number)

- If the TV set is downloaded by OTA or service man, sometimes model name or serial number is initialized.(Not always)
- There is impossible to download by bar code scan, so It need Manual download.
- a. Press the 'instart' key of ADJ remote control.
  - b. Go to the menu '5.Model Number D/L' like below photo.
  - c. Input the Factory model name(ex 42LD450-ZA) or Serial number like photo.



- d. Check the model name Instart menu -> Factory name displayed (ex 42LE7500-ZA)
- e. Check the Diagnostics (DTV country only) -> Buyer model displayed (ex 42LE7500-ZA)

### 3.7. CI+ Key Download method

(1) Download Procedure

- 1) Press "Power on" button of a service R/C.(Baud rate : 115200 bps)
- 2) Connect RS232-C Signal Cable.
- 3) Write CI+ Key through RS-232-C.
- 4) Check whether the key was downloaded or not at 'In Start' menu. (Refer to below).



=> Check the Download to CI+ Key value in LGset.

1. check the method of CI+ Key value
  - a. check the method on Instart menu
  - b. check the method of RS232C Command
    - 1) into the main ass'y mode (RS232 : aa 00 00)

CMD 1	CMD 2	Data 0	Data 1
A	A	0	0

- 2) check the key download for transmitted command (RS232 : ci 00 10)

CMD 1	CMD 2	Data 0	Data 1
C	I	1	0

- 3) result value
  - normally status for download : OKx
  - abnormally status for download : NGx

2. Check the method of CI+ Key value (RS232)
  - 1) into the main ass'y mode (RS232 : aa 00 00)

CMD 1	CMD 2	Data 0	Data 1
A	A	0	0

- 2) Check the method of CI+ key by command (RS232 : ci 00 20)

CMD 1	CMD 2	Data 0	Data 1
C	I	2	0

- 3) Result value
  - i 01 OK 1d1852d21c1ed5dcx

→ CI+ key Value

## 4. Manual Adjustment

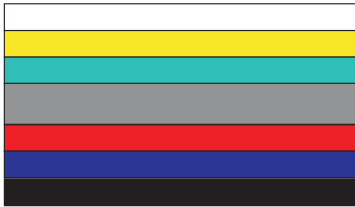
### 4.1. ADC(Saturn5) Adjustment

#### 4.1.1. Overview

ADC adjustment is needed to find the optimum black level and gain in Analog-to-Digital device and to compensate RGB deviation.

#### 4.1.2. Equipment & Condition

- (1) Adjust Remote control
- (2) 801GF(802B, 802F, 802R) or MSPG925FA Pattern Generator
  - Resolution :
    - 480i Comp1(MSPG-925FA : Model-209, Pattern-65)
    - 1080p Comp1(MSPG-925FA : Model-225, Pattern-65)
    - 1080p RGB (MSPG-925FA : Model-225, Pattern-65)
  - Pattern : Horizontal 100% Color Bar Pattern
  - Pattern level: 0.7 ± 0.1 Vp-p
  - Image



(3) Must use standard cable

#### 4.1.3. Adjust method

- (1) ADC 480i/1080p Comp1, RGB
  - 1) Check connected condition of Comp1 cable to the equipment.
  - 2) Give a 480i, 1080p Mode, Horizontal 100% Color Bar Pattern to Comp1. (MSPG-925FA -> Model: 209, Pattern: 65)
  - 3) Change input mode as Component1 and picture mode as "Standard"
  - 4) Press the In-start Key on the ADJ remote after at least 1 min of signal reception. Then, select 7. External ADC -> 1. COMP 1080p on the menu.
  - 5) Press OK in Comp480i menu.
  - 6) Give a 1080p Mode, Horizontal 100% Color Bar Pattern to Comp1. (MSPG-925A -> Model: 225, Pattern: 65)
  - 7) Press OK in Comp 1080p menu.
  - 8) Press OK in RGB menu.
  - 9) If ADC Comp is successful, "ADC Component Success" is displayed. If ADC calibration is failure, "ADC Component Fail" is displayed.
  - 10) If ADC calibration is failure, after recheck ADC pattern or condition, retry calibration
  - 11) If ADC RGB is successful, "ADC RGB Success" is displayed. If ADC calibration is failure, "ADC RGB Fail" is displayed.
  - 12) If ADC calibration is failure, after recheck ADC pattern or condition, retry calibration

## 4.2. EDID(The Extended Display Identification Data)/DDC(Display Data Channel) download

#### (1) Overview


It is a VESA regulation. A PC or a MNT will display an optimal resolution through information sharing without any necessity of user input. It is a realization of "Plug and Play".

#### (2) Equipment

- Adjust remote control
- Since embedded EDID data is used, EDID download JIG, HDMI cable and D-sub cable are not need.

#### (3) Download method

- 1) Press Adj. key on the Adj. R/C,
- 2) Select EDID D/L menu.
- 3) By pressing Enter key, enter EDID D/L menu.
- 4) If Download is successful, OK is displayed, but If Download is failure, NG is displayed.

For Analog EDID	For HDMI EDID	
D-sub to D-sub	DVI-D to HDMI or HDMI to HDMI	
		

5) If Download is failure, Re-try download.

#### (4) EDID DATA

##### ■ HDMI

	0x00	0x01	0x02	0x03	0x04	0x05	0x06	0x07	0x08	0x09	0x0A	0x0B	0x0C	0x0D	0x0E	0x0F
0x00	00	FF	FF	FF	FF	FF	FF	00	1E	6D						
0x01			01	03	80	10	09	78	0A	EE	91	A3	54	4C	99	26
0x02	0F	50	54	A1	08	00	71	4F	81	80	01	01	01	01	01	01
0x03	01	01	01	01	01	01	02	3A	80	18	71	38	2D	40	58	2C
0x04	45	00	A0	5A	00	00	00	1E	01	1D	00	72	51	D0	1E	20
0x05	6E	28	55	00	A0	5A	00	00	00	1E	00	00	00	FD	00	3A
0x06	3E	1E	53	10	00	0A	20	20	20	20	20	20				
0x07															01	
0x00	02	03	26	F1	4E	10	1F	84	13	05	14	03	02	12	20	21
0x01	22	15	01	26	15	07	50	09	57	07	67					
0x02			E3	05	03	01	01	1D	80	18	71	1C	16	20	58	2C
0x03	25	00	A0	5A	00	00	00	9E	01	1D	00	80	51	D0	0C	20
0x04	40	80	35	00	A0	5A	00	00	00	1E	02	3A	80	18	71	38
0x05	2D	40	58	2C	45	00	A0	5A	00	00	00	1E	66	21	50	B0
0x06	51	00	1B	30	40	70	36	00	A0	5A	00	00	00	1E	00	00
0x07	00	00	00	00	00	00	00	00	00	00	00	00	00	00	01	

##### ■ RGB

	0x00	0x01	0x02	0x03	0x04	0x05	0x06	0x07	0x08	0x09	0x0A	0x0B	0x0C	0x0D	0x0E	0x0F
0x00	00	FF	FF	FF	FF	FF	FF	00	1E	6D						
0x01			01	03	80	10	09	78	0A	EE	91	A3	54	4C	99	26
0x02	0F	50	54	A1	08	00	71	4F	81	80	01	01	01	01	01	01
0x03	01	01	01	01	01	01	02	3A	80	18	71	38	2D	40	58	2C
0x04	45	00	A0	5A	00	00	00	1E	01	1D	00	72	51	D0	1E	20
0x05	6E	28	55	00	A0	5A	00	00	00	1E	00	00	00	FD	00	3A
0x06	3E	1E	53	10	00	0A	20	20	20	20	20	20				
0x07															00	

\* Address 10/11 and 7F means Manufacture Week and Checksum. So this data will be change.

- Detail EDID Options are below

Product ID

Model Name	HEX	EDID Table	DDC Function
FHD Model	0001	01 00	Analog/Digital

Serial No. : Controlled on product line

Month, Year: Controlled on production line:

ex) Monthly : '02' -> '02'

Year : '2009' -> '13'

Model Name(Hex):

MODEL	MODEL NAME(HEX)
all	00 00 00 FC 00 4C 47 20 54 56 0A 20 20 20 20 20 20

Checksum(Model: LG TV)

	1	2	3
HDMI 1	D7	D9	X
HDMI 2	D7	C9	X
HDMI 3	D7	B9	X
HDMI 4	X	X	X
RGB	X	X	1D

Vendor Specific(HDMI)

INPUT	MODEL NAME(HEX)
HDMI1	67 03 0C 00 10 00 B8 2D
HDMI2	67 03 0C 00 20 00 B8 2D
HDMI3	67 03 0C 00 30 00 B8 2D
HDMI4	67 03 0C 00 40 00 B8 2D

## 4.3. White Balance Adjustment

### 4.3.1 Overview

- W/B adj. Objective & How-it-works

(1) Objective: To reduce each Panel's W/B deviation

(2) How-it-works : When R/G/B gain in the OSD is at 192, it means the panel is at its Full Dynamic Range. In order to prevent saturation of Full Dynamic range and data, one of R/G/B is fixed at 192, and the other two is lowered to find the desired value.

(3) Adj. condition : normal temperature

1) Surrounding Temperature : 25 °C ± 5 °C

2) Warm-up time: About 5 Min

3) Surrounding Humidity : 20 % ~ 80 %

### 4.3.2 Equipment

1) Color Analyzer: CA-210 (NCG: CH9 / WCG: CH 12)

2) Adj. Computer(During auto adj., RS-232C protocol is needed)

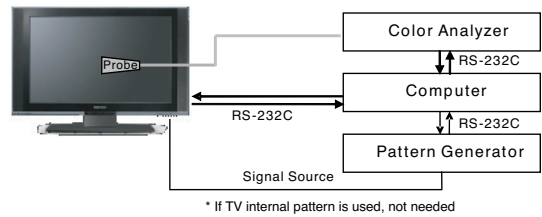
3) Adjust Remote control

4) Video Signal Generator MSPG-925F 720p/216-Gray (Model:217, Pattern:78)

-> Only when internal pattern is not available

■ Color Analyzer Matrix should be calibrated using CS-1000

### 4.3.3. Equipment connection MAP



### 4.3.4. Adj. Command (Protocol)

■ RS-232C Command used during auto-adj.

RS-232C COMMAND			Explanation
[CMD]	ID	DATA]	
wb	00	00	Begin White Balance adj.
wb	00	10	Gain adj.(internal white pattern)
wb	00	1f	Gain adj. completed
wb	00	20	Offset adj.(internal white pattern)
wb	00	2f	Offset adj. completed
wb	00	ff	End White Balance adj.(Internal pattern disappears)

Ex) wb 00 00 -> Begin white balance auto-adj.

wb 00 10 -> Gain adj.

ja 00 ff -> Adj. data

jb 00 c0

...

...

wb 00 1f -> Gain adj. completed

\*(wb 00 20(Start), wb 00 2f(completed)) -> Off-set adj.

wb 00 ff -> End white balance auto-adj.

■ Adj. Map

	ITEM	Command		Data Range (Hex.)		Default (Decimal)
		Cmd 1	Cmd 2	Min	Max	
Cool	R-Gain	j	g	00	C0	
	G-Gain	j	h	00	C0	
	B-Gain	j	i	00	C0	
	R-Cut					
	G-Cut					
	B-Cut					
Medium	R-Gain	j	a	00	C0	
	G-Gain	j	b	00	C0	
	B-Gain	j	c	00	C0	
	R-Cut					
	G-Cut					
	B-Cut					
Warm	R-Gain	j	d	00	C0	
	G-Gain	j	e	00	C0	
	B-Gain	j	f	00	C0	
	R-Cut					
	G-Cut					
	B-Cut					

### 4.3.5. Adj. method

#### (1) Auto adj. method

- 1) Set TV in adj. mode using POWER ON key.
- 2) Zero calibrate probe then place it on the center of the Display.
- 3) Connect Cable (RS-232C)
- 4) Select mode in adj. Program and begin adjustment.
- 5) When adj. is complete (OK Sing), check adj. status pre mode. (Warm, Medium, Cool)
- 6) Remove probe and RS-232C cable to complete adj.

■ W/B Adj. must begin as start command “wb 00 00”, and finish as end command “wb 00 ff”, and Adj. offset if need.

#### (2) Manual adj. method

- 1) Set TV in Adj. mode using POWER ON
- 2) Zero Calibrate the probe of Color Analyzer, then place it on the center of LCD module within 10cm of the surface.
- 3) Press ADJ key -> EZ adjust using adj. R/C -> 7. White-Balance then press the cursor to the right (KEY ►).  
(When KEY(►) is pressed 216 Gray internal pattern will be displayed)
- 4) One of R Gain / G Gain / B Gain should be fixed at 192, and the rest will be lowered to meet the desired value.
- 5) Adj. is performed in COOL, MEDIUM, WARM 3 modes of color temperature.

■ If internal pattern is not available, use RF input. In EZ Adj. menu 7.White Balance, you can select one of 2 Test-pattern: ON, OFF. Default is inner(ON). By selecting OFF, you can adjust using RF signal in 216 Gray pattern.

#### ■ Adj. condition and cautionary items

- 1) Lighting condition in surrounding area  
Surrounding lighting should be lower 10 lux. Try to isolate adj. area into dark surrounding.
- 2) Probe location  
: Color Analyzer (CA-210) probe should be within 10 cm and perpendicular of the module surface (80° ~ 100°)
- 3) Aging time  
- After Aging Start, Keep the Power ON status during 5 Minutes.  
- In case of LCD, Back-light on should be checked using no signal or Full-white pattern.

### 4.3.6. Reference (White Balance Adj. coordinate and temperature)

■ Luminance : 216 Gray

■ Standard color coordinate and temperature using CS-1000 (over 26 inch)

Mode	Color Coordination		Temp	Δuv
	x	y		
COOL	0.269	0.273	13000 K	0.0000
MEDIUM	0.285	0.293	9300 K	0.0000
WARM	0.313	0.329	6500 K	0.0000

■ Standard color coordinate and temperature using CA-210(CH 9)

Mode	Color Coordination		Temp	Δuv
	x	y		
COOL	0.269 ± 0.002	0.273 ± 0.002	13000 K	0.0000
MEDIUM	0.285 ± 0.002	0.293 ± 0.002	9300 K	0.0000
WARM	0.313 ± 0.002	0.329 ± 0.002	6500 K	0.0000

### 4.4. EYE-Q function check

- Step 1) Turn on TV
- Step 2) Press EYE key of Adj. R/C
- Step 3) Cover the Eye Q II sensor on the front of the using your hand and wait for 6 seconds
- Step 4) Confirm that R/G/B value is lower than 10 of the “Raw Data (Sensor data, Back light)”. If after 6 seconds, R/G/B value is not lower than 10, replace Eye Q II sensor.
- Step 5) Remove your hand from the Eye Q II sensor and wait for 6 seconds.
- Step 6) Confirm that “ok” pop up. If change is not seen, replace Eye Q II sensor.



### 4.7. Tool Option selection

- Method : Press Adj. key on the Adj. R/C, then select Tool option.

MODEL	Tool 1	Tool 2	Tool 3	Tool 4	Tool 5
42LD750	24707	23087	56332	22828	2866
42LD790	24707	23087	56332	20780	2866

### 4.8. Ship-out mode check(In-stop)

After final inspection, press IN-STOP key of the Adj. R/C and check that the unit goes to Stand-by mode.

After final inspection, Always turn on the Mechanical S/W.

## 5. GND and Internal Pressure check

### 5.1. Method

- 1) GND & Internal Pressure auto-check preparation
  - Check that Power Cord is fully inserted to the SET.  
(If loose, re-insert)
- 2) Perform GND & Internal Pressure auto-check
  - Unit fully inserted Power cord, Antenna cable and A/V arrive to the auto-check process.
  - Connect D-terminal to AV JACK TESTER
  - Auto CONTROLLER(GWS103-4) ON
  - Perform GND TEST
  - If NG, Buzzer will sound to inform the operator.
  - If OK, changeover to I/P check automatically.  
(Remove CORD, A/V form AV JACK BOX)
  - Perform I/P test
  - If NG, Buzzer will sound to inform the operator.
  - If OK, Good lamp will lit up and the stopper will allow the pallet to move on to next process.

### 5.2. Checkpoint

- TEST voltage
  - GND: 1.5 KV / min at 100 mA
  - SIGNAL: 3 KV / min at 100 mA
- TEST time: 1 second
- TEST POINT
  - GND TEST = POWER CORD GND & SIGNAL CABLE METAL GND
  - Internal Pressure TEST = POWER CORD GND & LIVE & NEUTRAL
- LEAKAGE CURRENT: At 0.5 mArms

## 6. Audio

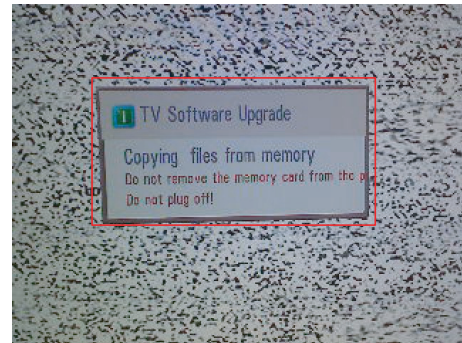
No.	Item	Min.	Typ.	Max.	Unit	
1.	Audio practical max Output, L/R (Distortion=10 % max Output)	9.0	10.0	12.0	W	EQ Off AVL Off
		8.5	8.9	9.8	Vrms	Clear Voice Off
2.	Speaker (8 Ω Impedance)		10.0	15.0	W	EQ On AVL On Clear Voice On

Measurement condition:

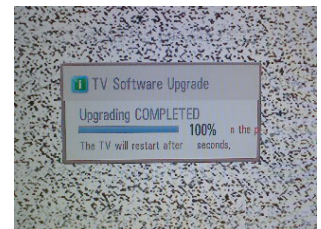
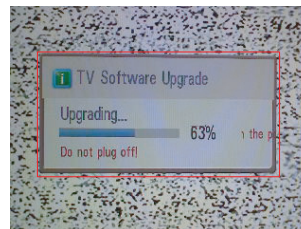
1. RF input: Mono, 1 KHz sine wave signal, 100 % Modulation
2. CVBS, Component: 1 KHz sine wave signal 0.4 Vrms
3. RGB PC: 1 KHz sine wave signal 0.7 Vrms

## 7. USB S/W Download (option, Service only)

- 1) Put the USB Stick to the USB socket
- 2) Automatically detecting update file in USB Stick
  - If your downloaded program version in USB Stick is Low, it didn't work. But your downloaded version is High, USB data is automatically detecting
- 3) Show the message "Copying files from memory"



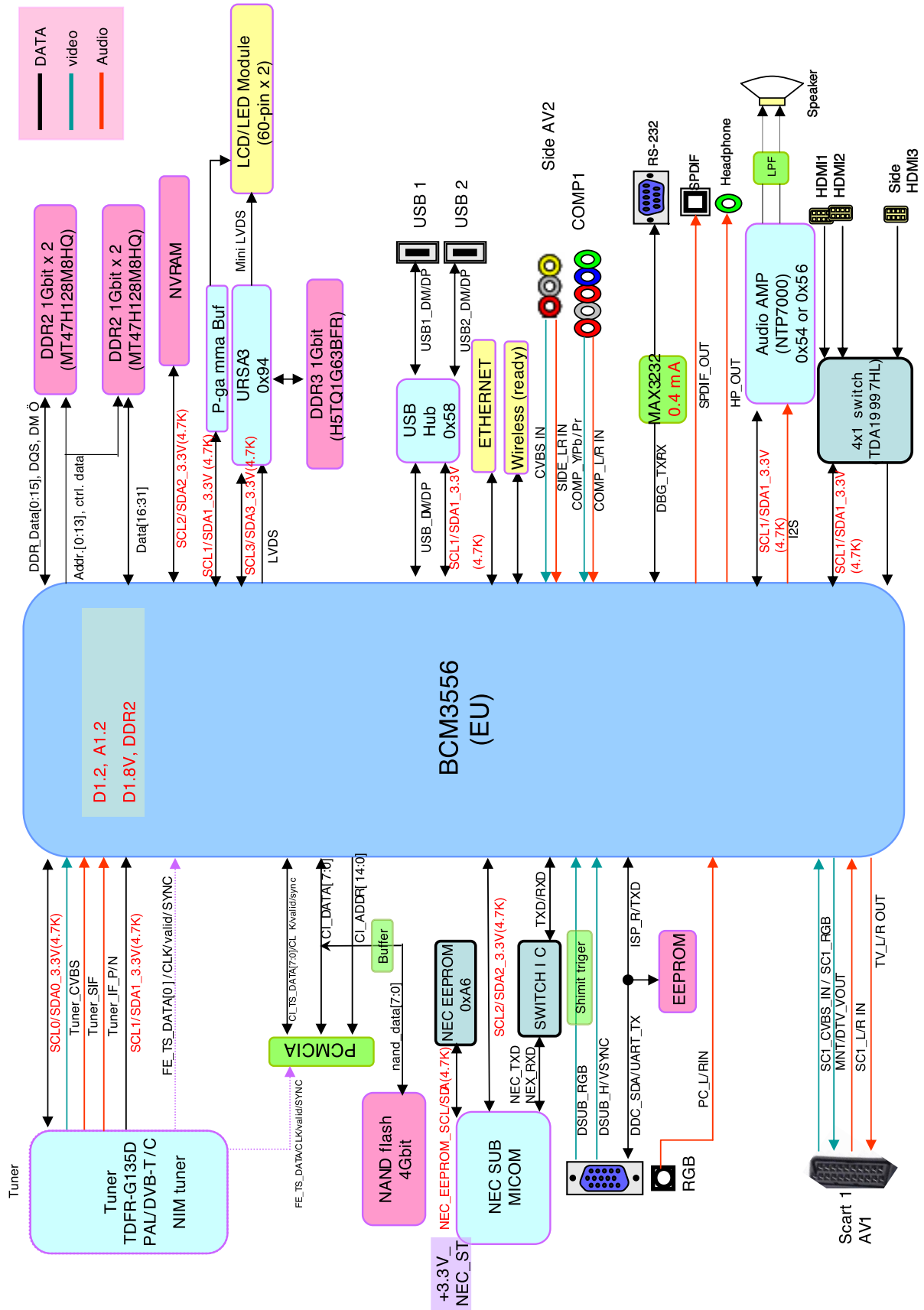
- 4) Updating is starting.



- 5) Updating Completed, The TV will restart automatically
- 6) If your TV is turned on, check your updated version and Tool option. (explain the Tool option, next stage)
  - \* If downloading version is more high than your TV have, TV can lost all channel data. In this case, you have to channel recover. if all channel data is cleared, you didn't have a DTV/ATV test on production line.

- \* After downloading, have to adjust TOOL OPTION again.
  1. Push "IN-START" key in service remote control.
  2. Select "Tool Option 1" and Push "OK" button.
  3. Punch in the number. (Each model has their number.)

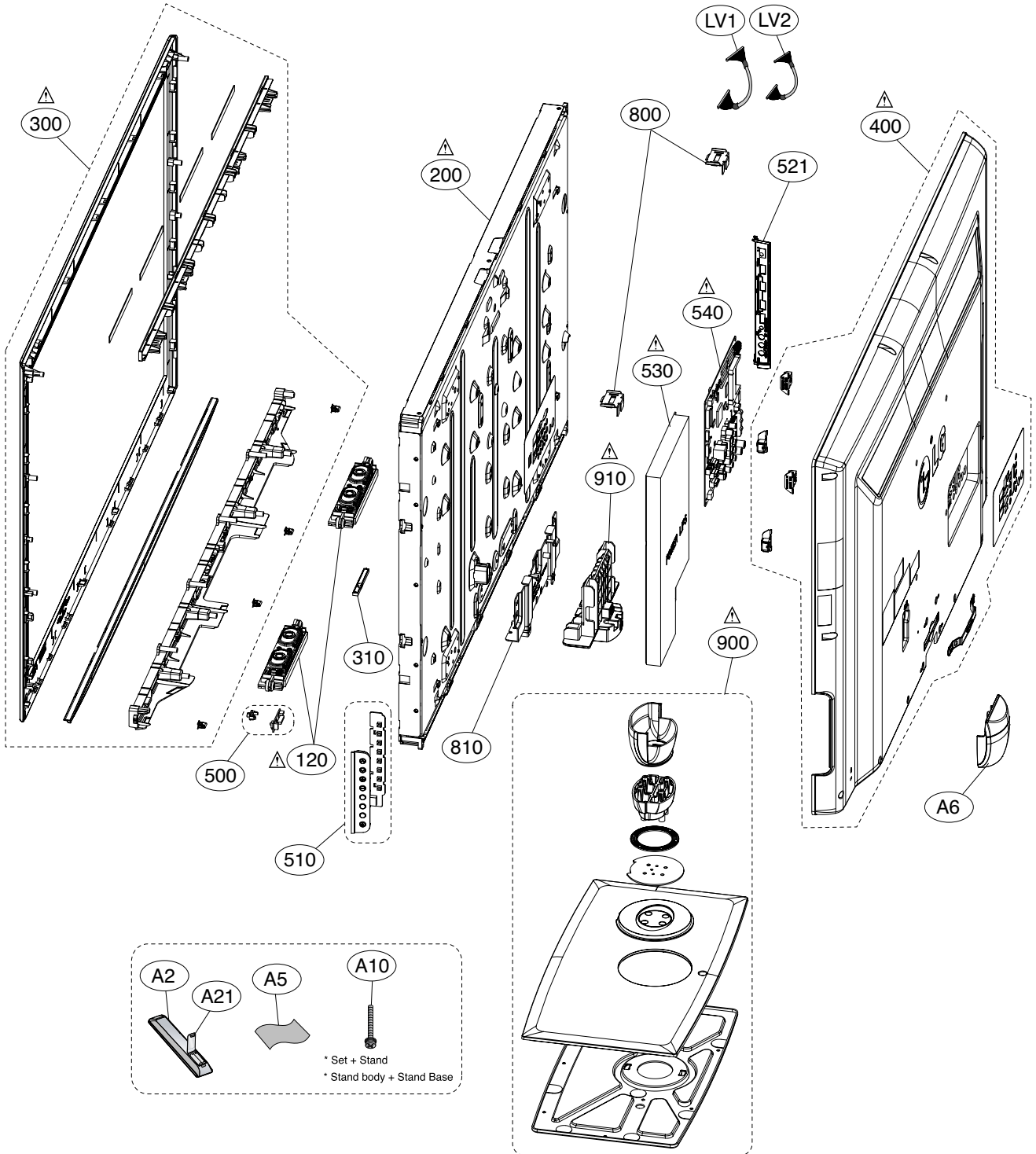
# BLOCK DIAGRAM



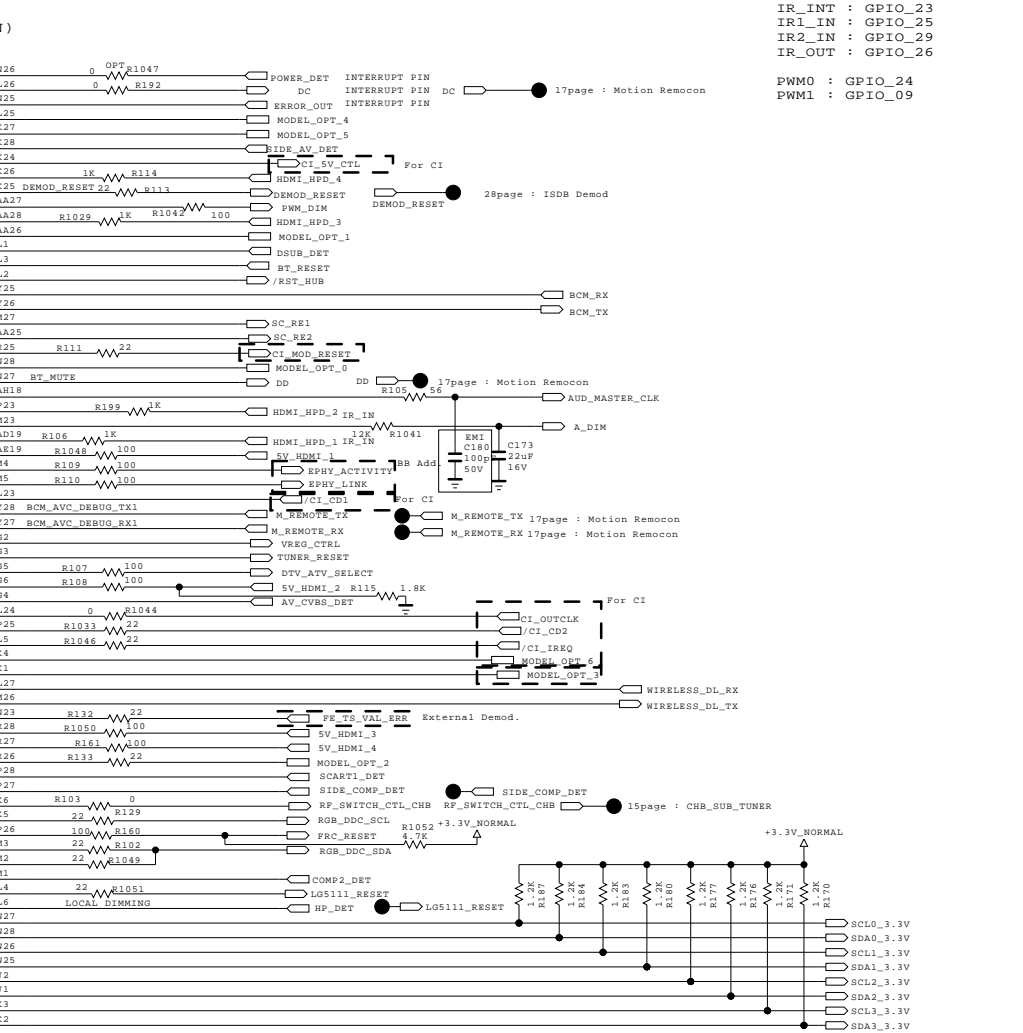
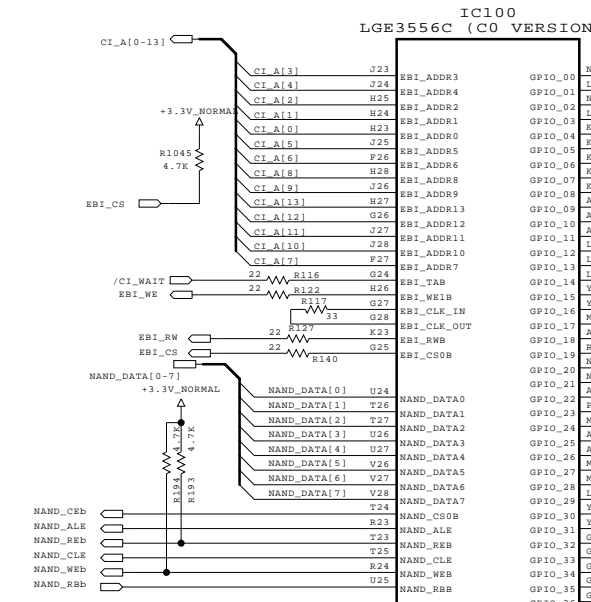
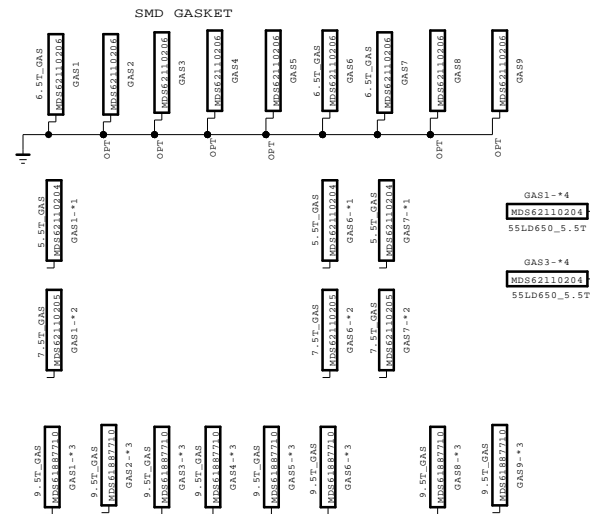
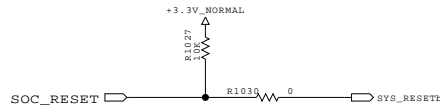
# EXPLODED VIEW

## IMPORTANT SAFETY NOTICE

Many electrical and mechanical parts in this chassis have special safety-related characteristics. These parts are identified by  $\triangle$  in the Schematic Diagram and EXPLODED VIEW. It is essential that these special safety parts should be replaced with the same components as recommended in this manual to prevent X-RADIATION, Shock, Fire, or other Hazards. Do not modify the original design without permission of manufacturer.

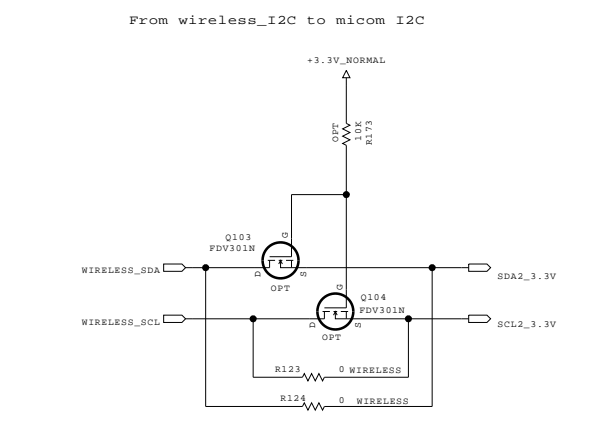
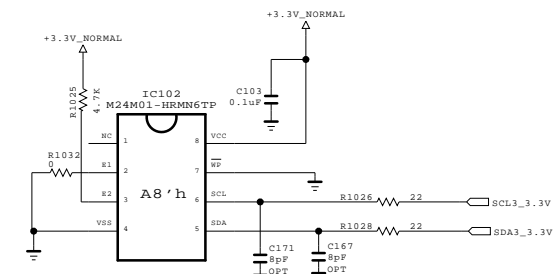


# RESET



EXT\_IRQ : GPIO\_00, GPIO\_01, GPIO\_02, GPIO\_11, GPIO\_11, GPIO\_39  
 IR\_INT : GPIO\_23  
 IRI\_IN : GPIO\_25  
 IR2\_IN : GPIO\_29  
 IR\_OUT : GPIO\_26  
 PWM0 : GPIO\_24  
 PWM1 : GPIO\_09

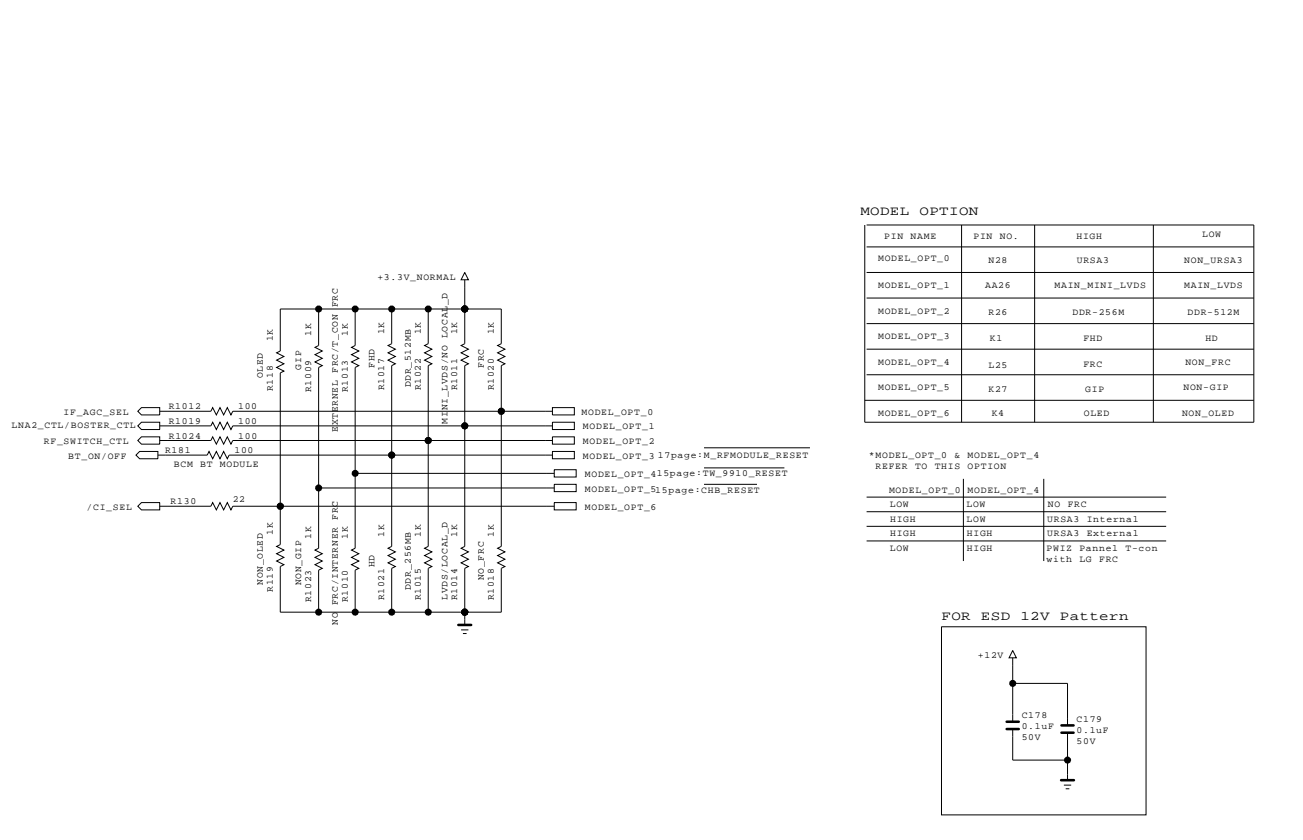
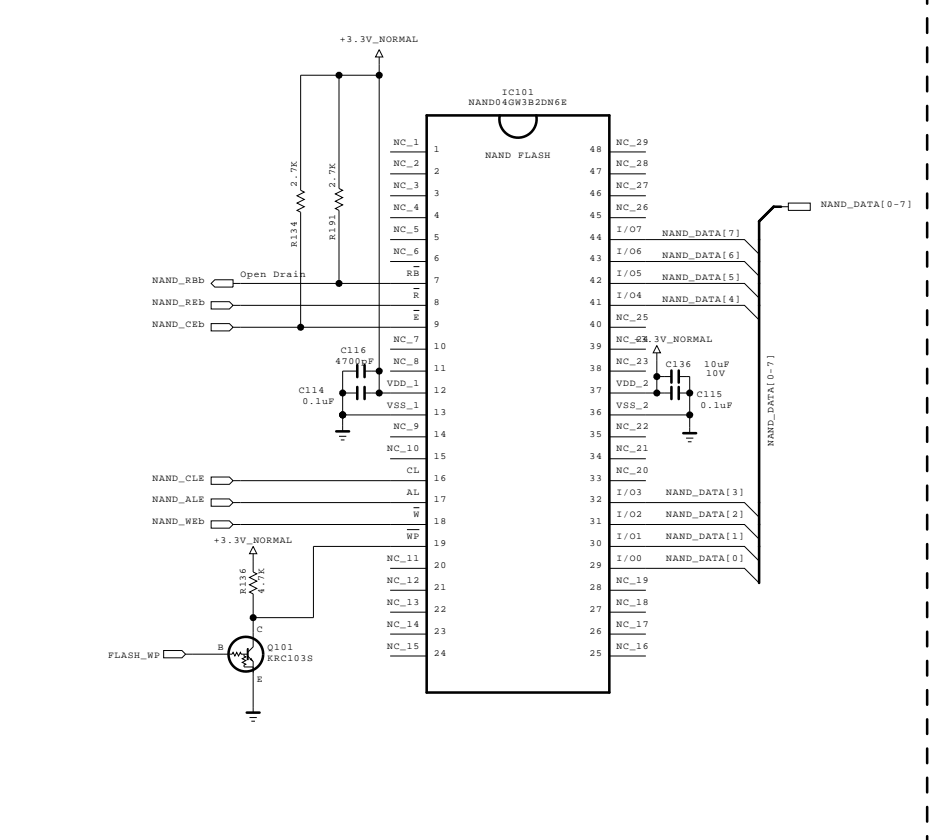
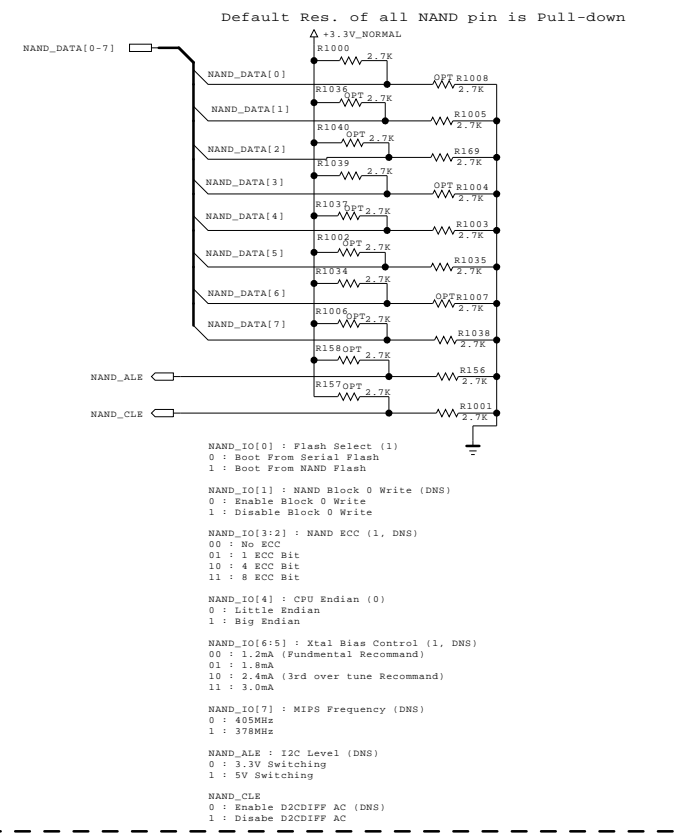
# NVRAM



\* I2C MAP  
 \* I2C\_0 :  
 \* I2C\_1 :  
 \* I2C\_2 :  
 \* I2C\_3 :

# Boot Strap

# \* NAND FLASH MEMORY 4Gbit (512M for BB)



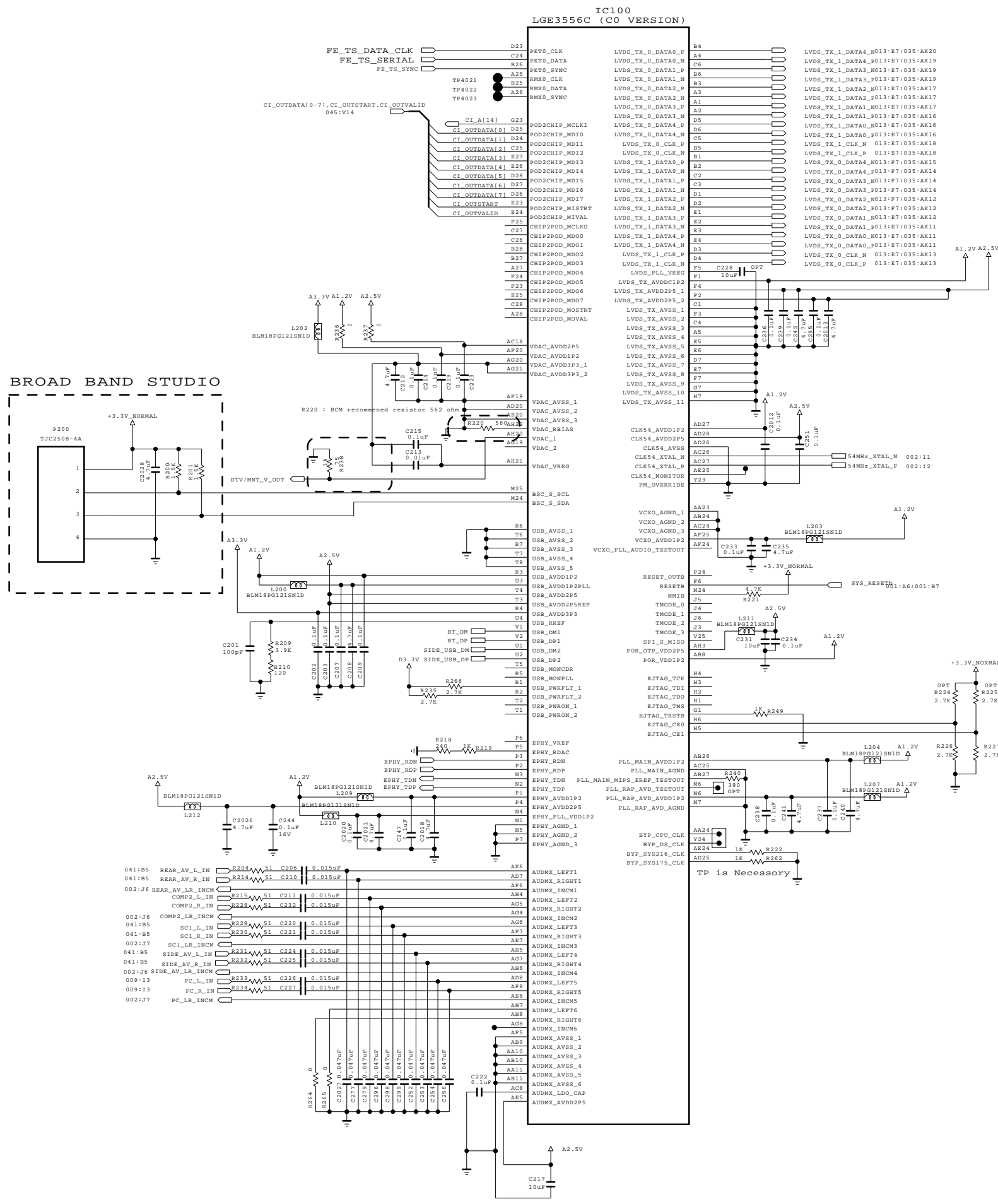
THE SYMBOL MARK OF THIS SCHEMATIC DIAGRAM INCORPORATES SPECIAL FEATURES IMPORTANT FOR PROTECTION FROM X-RADIATION. FILRE AND ELECTRICAL SHOCK HAZARDS, WHEN SERVICING IF IS ESSENTIAL THAT ONLY MANUFACTURES SPECIFIED PARTS BE USED FOR THE CRITICAL COMPONENTS IN THE SYMBOL MARK OF THE SCHEMATIC.

**SECRET**  
 LGElectronics

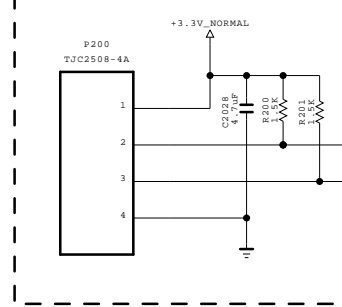


MODEL BLOCK	BCM (EUROBBTV)	DATE SHEET	2009.06.18
	BCM3556 & NAND FLASH		1

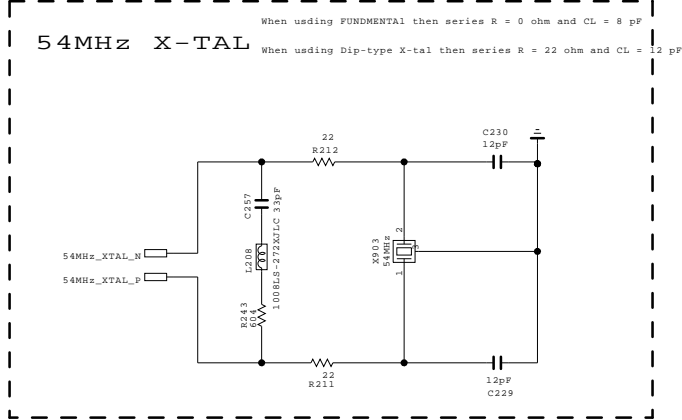




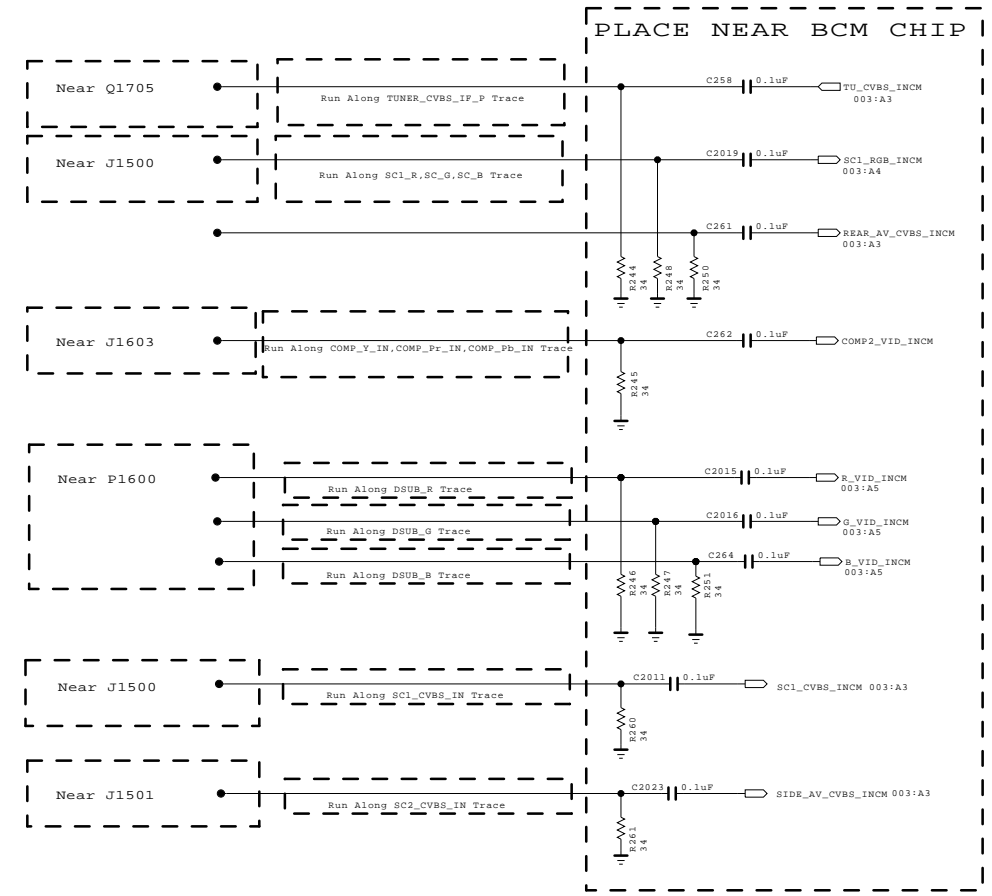
**BROAD BAND STUDIO**



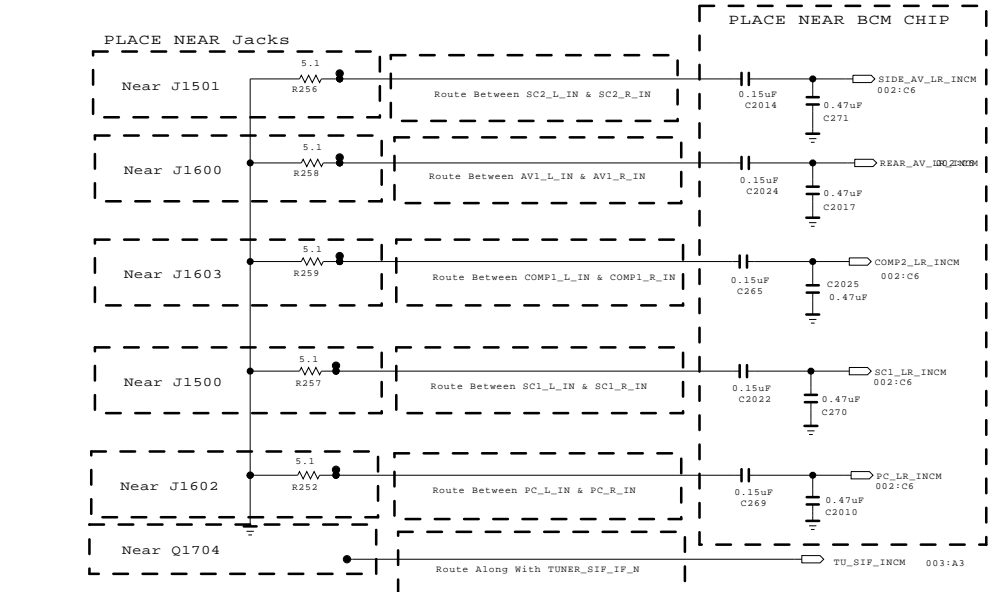
Route INCM between associated left and right signals of same channel.  
The INCM trace ends at the same point where the connector ground connects to the board ground (thru-hole connector pin).  
Place test points, resistors near audio connector.  
Connect the other side of the resistor to GND as close as possible to the ground connection of the associated audio connector.



**VIDEO INCM**



**AUDIO INCM**

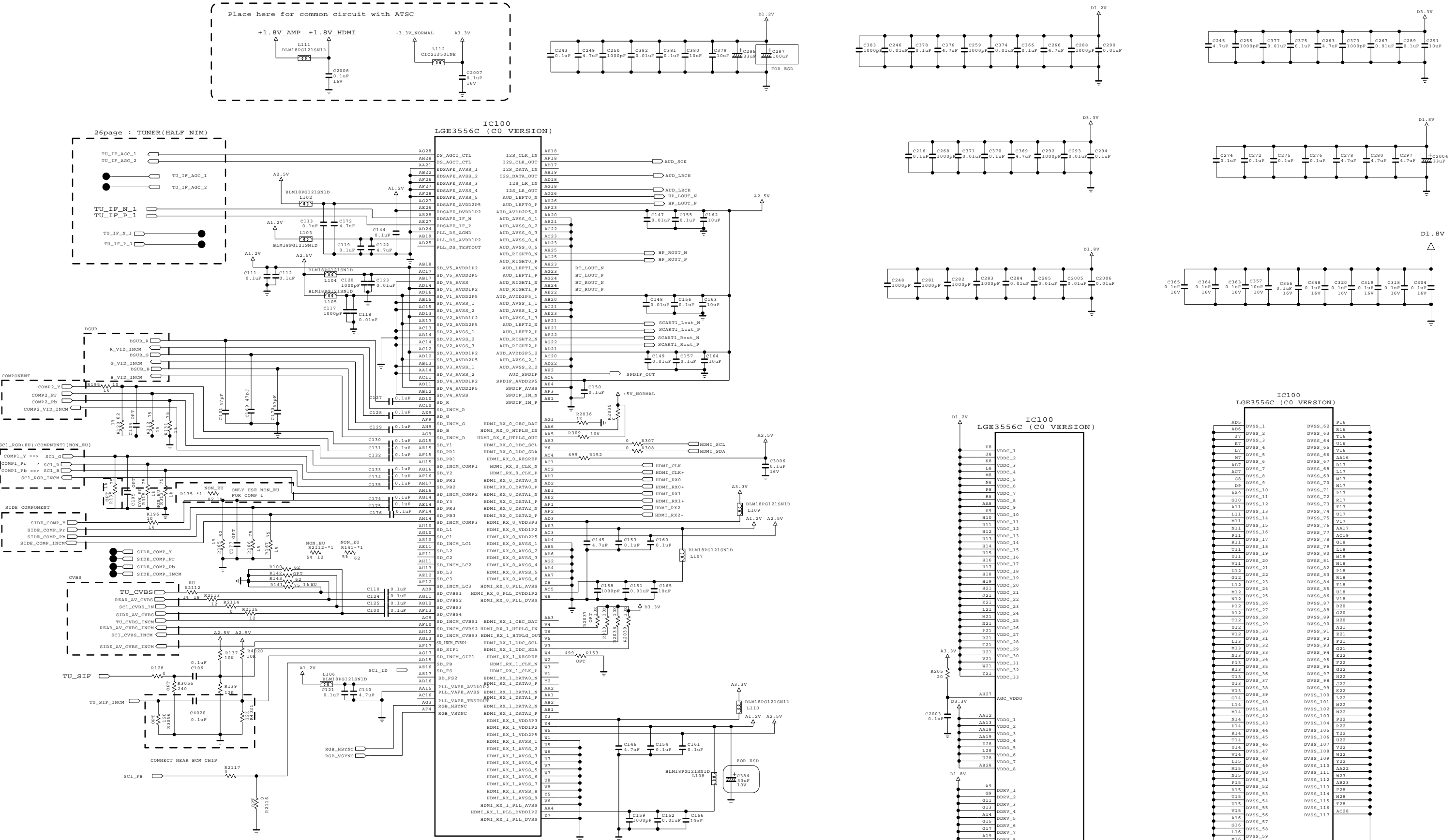


THE  $\Delta$  SYMBOL MARK OF THIS SCHEMATIC DIAGRAM INCORPORATES SPECIAL FEATURES IMPORTANT FOR PROTECTION FROM X-RADIATION. FILRE AND ELECTRICAL SHOCK HAZARDS, WHEN SERVICING IF IS ESSENTIAL THAT ONLY MANUFACTURES SPECIFIED PARTS BE USED FOR THE CRITICAL COMPONENTS IN THE  $\Delta$  SYMBOL MARK OF THE SCHEMATIC.

**SECRET**  
LGElectronics



MODEL	BCM (EUROBBTV)	DATE	2009.06.18
BLOCK	BCM3556 AUD_IN/LVDS	SHEET	2

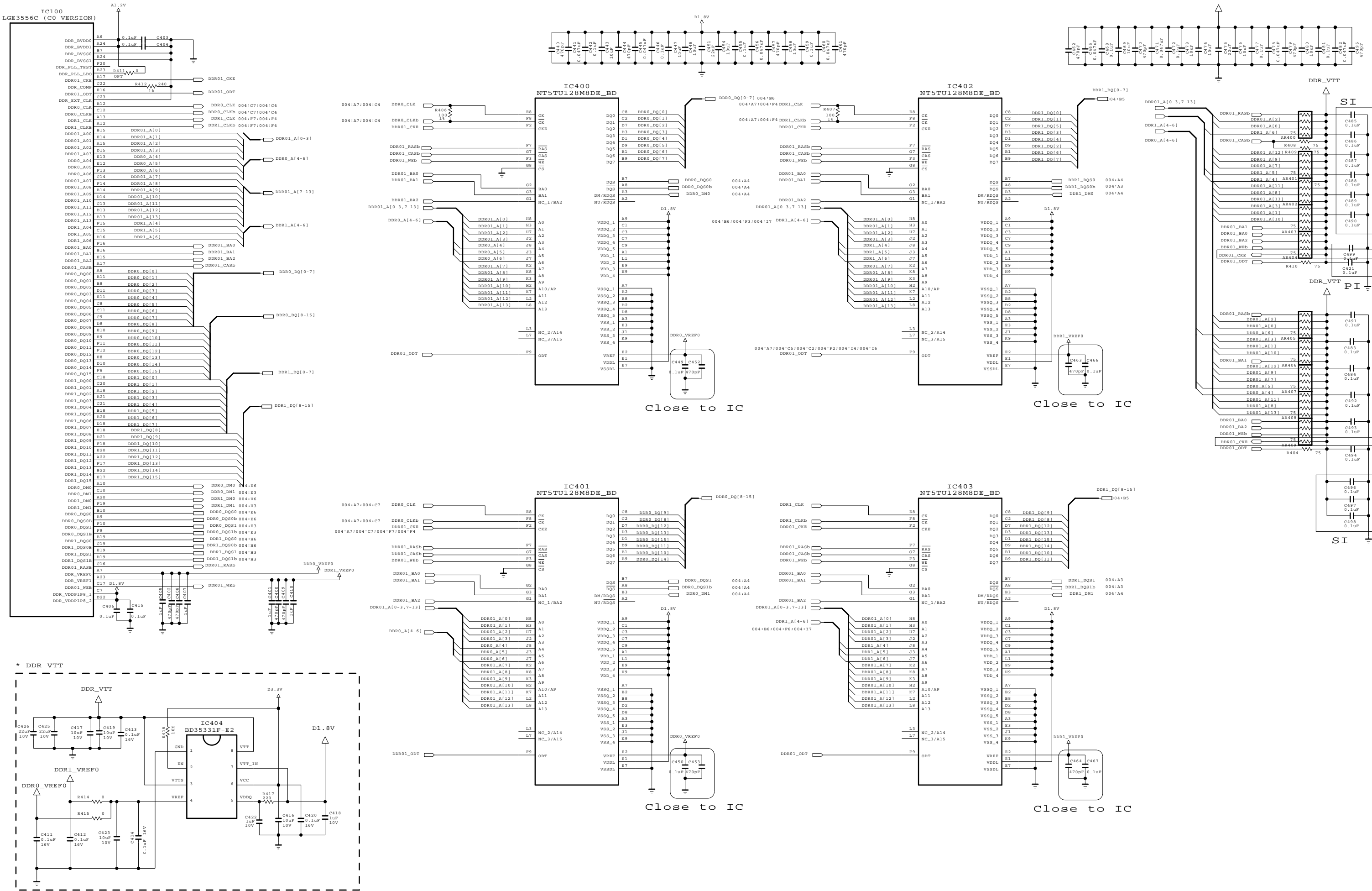


THE  $\Delta$  SYMBOL MARK OF THIS SCHEMATIC DIAGRAM INCORPORATES SPECIAL FEATURES IMPORTANT FOR PROTECTION FROM X-RADIATION. FILRE AND ELECTRICAL SHOCK HAZARDS, WHEN SERVICING IF IS ESSENTIAL THAT ONLY MANUFACTURES SPECIFIED PARTS BE USED FOR THE CRITICAL COMPONENTS IN THE  $\Delta$  SYMBOL MARK OF THE SCHEMATIC.

**SECRET**  
LGElectronics



MODEL	EUROBTV	DATE	2009.06.18
BLOCK	BCM3556 VIDEO IN	SHEET	3



THE SYMBOL MARK OF THIS SCHEMATIC DIAGRAM INCORPORATES SPECIAL FEATURES IMPORTANT FOR PROTECTION FROM X-RADIATION. FILRE AND ELECTRICAL SHOCK HAZARDS, WHEN SERVICING IF IS ESSENTIAL THAT ONLY MANUFACTURES SPECIFIED PARTS BE USED FOR THE CRITICAL COMPONENTS IN THE SYMBOL MARK OF THE SCHEMATIC.

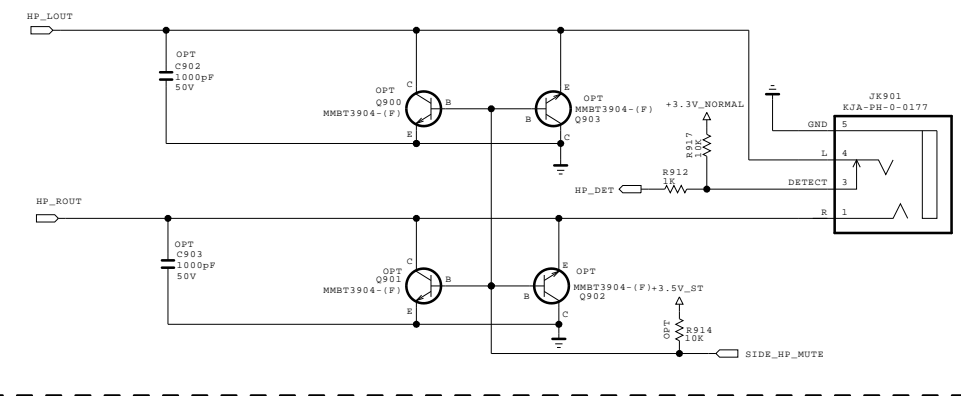
**SECRET**  
LGElectronics

HONG YEON HYUK

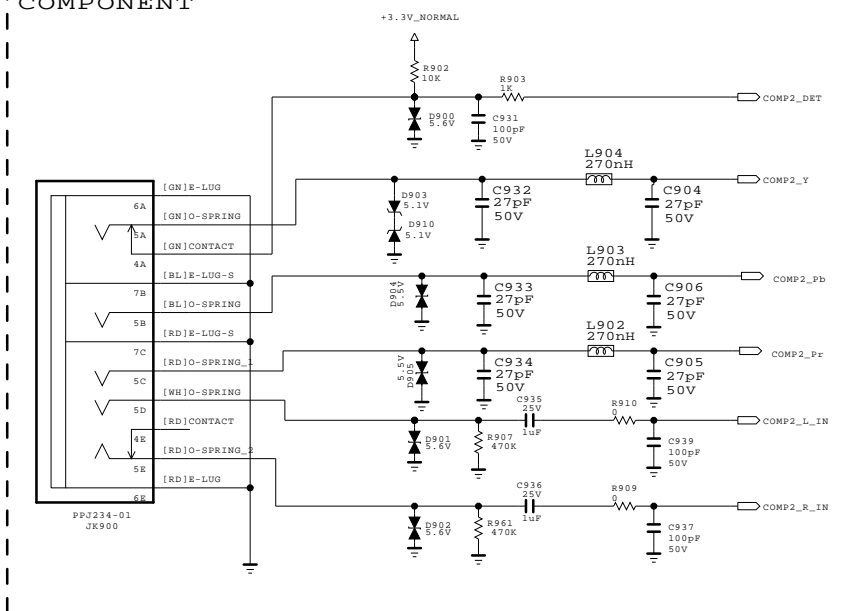


MODEL	BCM (EUROBBTV)	DATE	2009.06.18
BLOCK	DDR Memory	SHEET	4

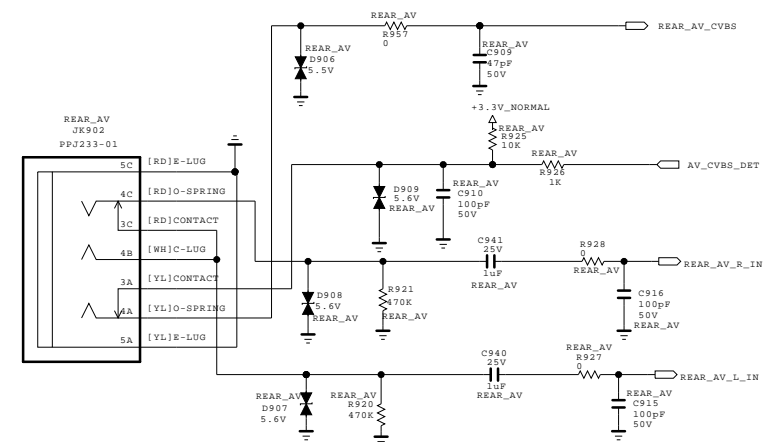
New Item Development  
EARPHONE BLOCK



COMPONENT



Rear CVBS



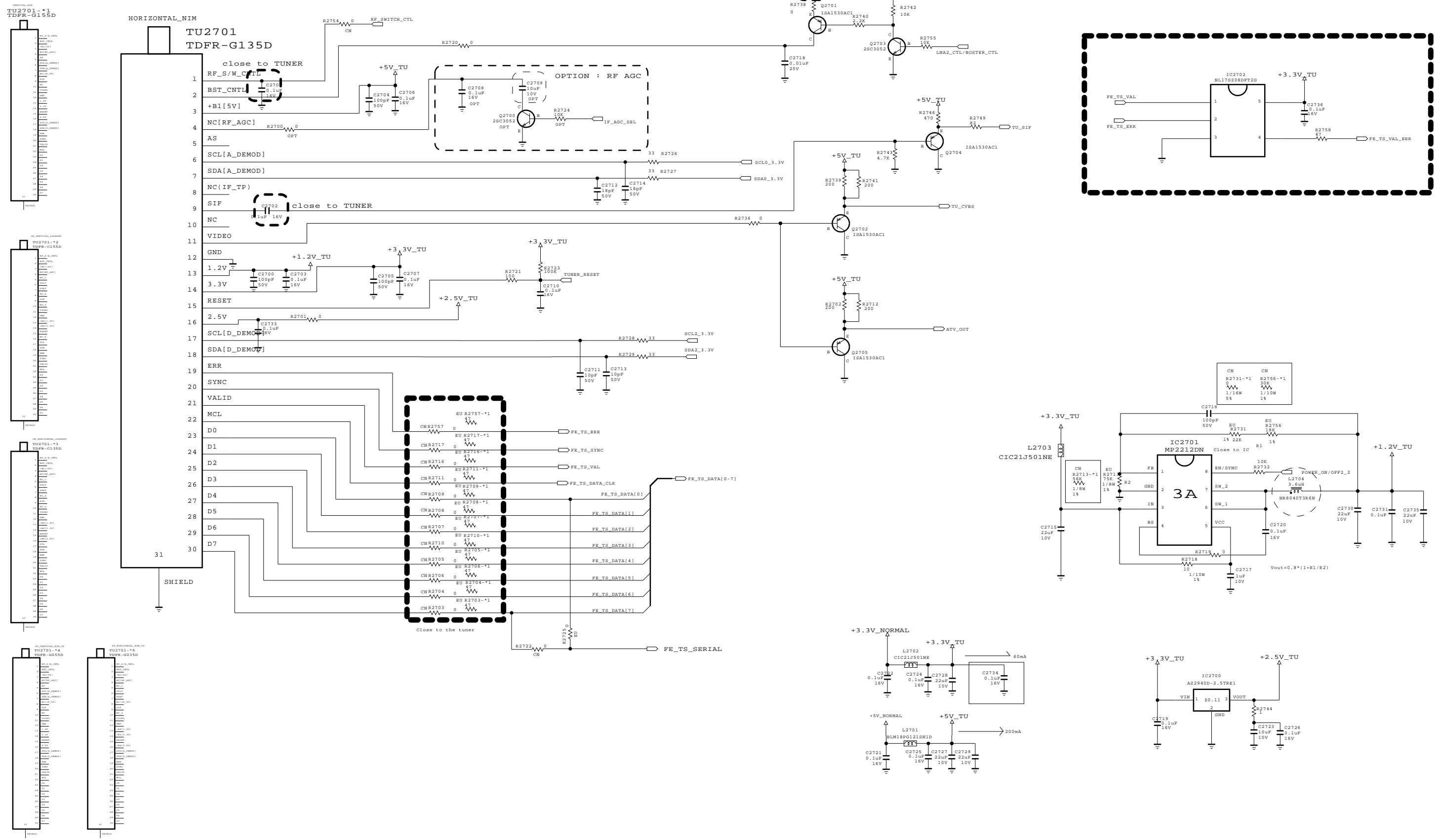
THE SYMBOL MARK OF THIS SCHEMATIC DIAGRAM INCORPORATES SPECIAL FEATURES IMPORTANT FOR PROTECTION FROM X-RADIATION. FILRE AND ELECTRICAL SHOCK HAZARDS, WHEN SERVICING IF IS ESSENTIAL THAT ONLY MANUFACTURES SPECIFIED PARTS BE USED FOR THE CRITICAL COMPONENTS IN THE SYMBOL MARK OF THE SCHEMATIC.

SECRET  
LGElectronics



MODEL	EUROBBTV	DATE	2009.06.18
BLOCK	ETC SUB BOARD I/F	SHEET	9

# CAN H-NIM/NIM TUNER for EU



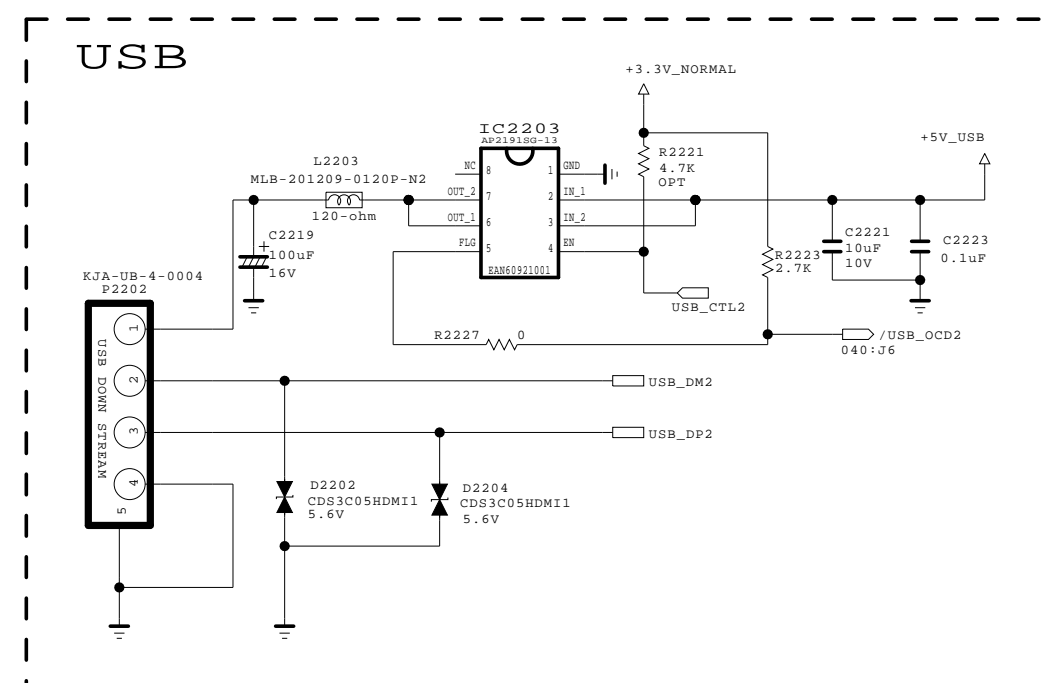
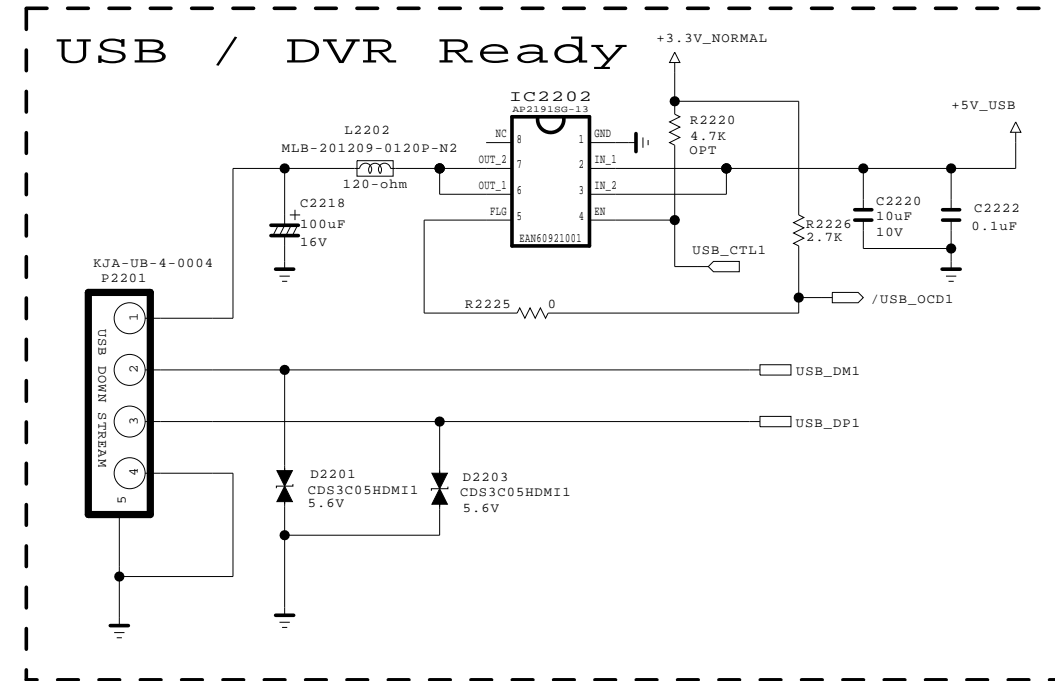
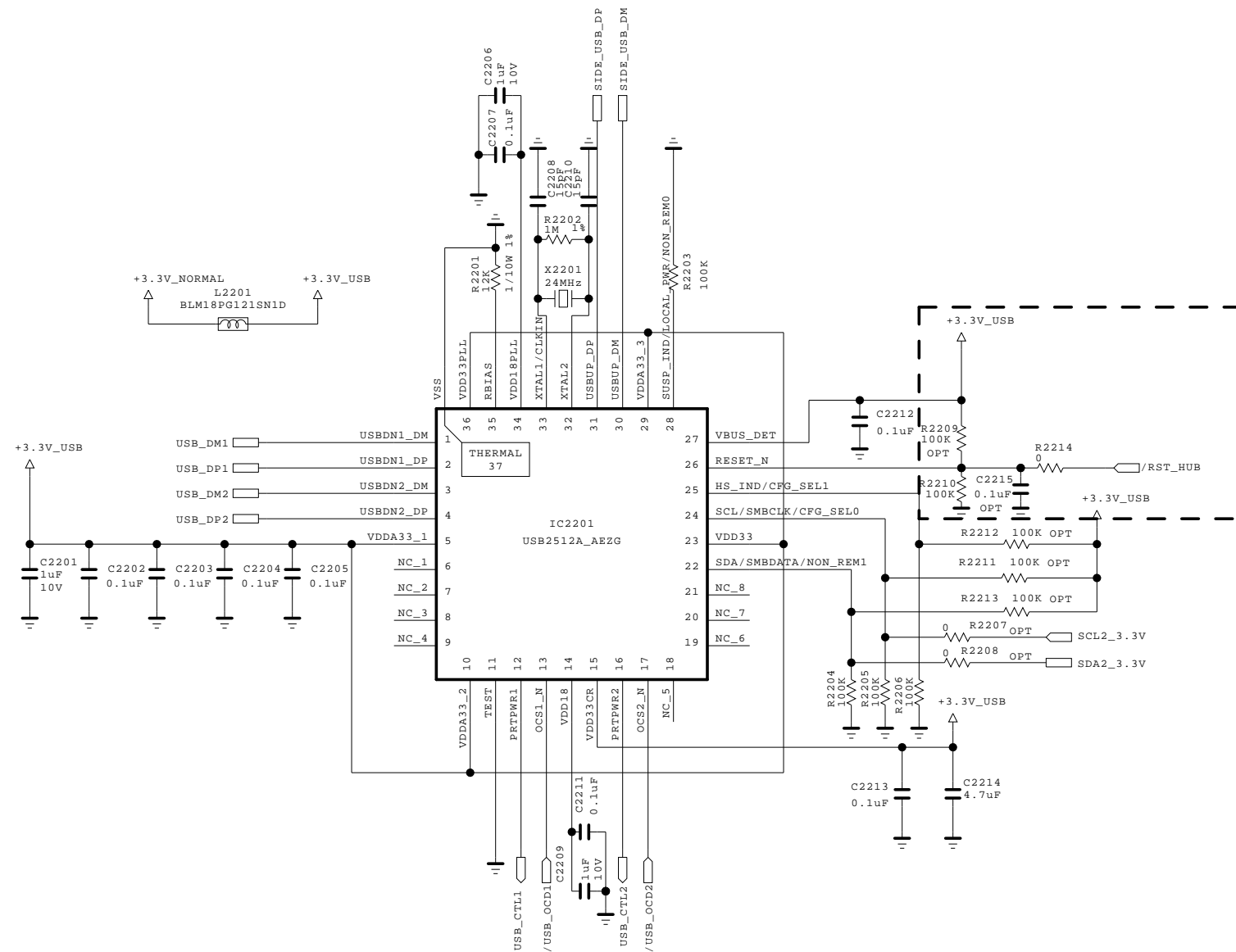
THE  $\Delta$  SYMBOL MARK OF THIS SCHEMATIC DIAGRAM INCORPORATES SPECIAL FEATURES IMPORTANT FOR PROTECTION FROM X-RADIATION. FILRE AND ELECTRICAL SHOCK HAZARDS, WHEN SERVICING IF IS ESSENTIAL THAT ONLY MANUFACTURES SPECIFIED PARTS BE USED FOR THE CRITICAL COMPONENTS IN THE  $\Delta$  SYMBOL MARK OF THE SCHEMATIC.

**SECRET**  
LGElectronics



MODEL		DATE	
BLOCK		SHEET	27

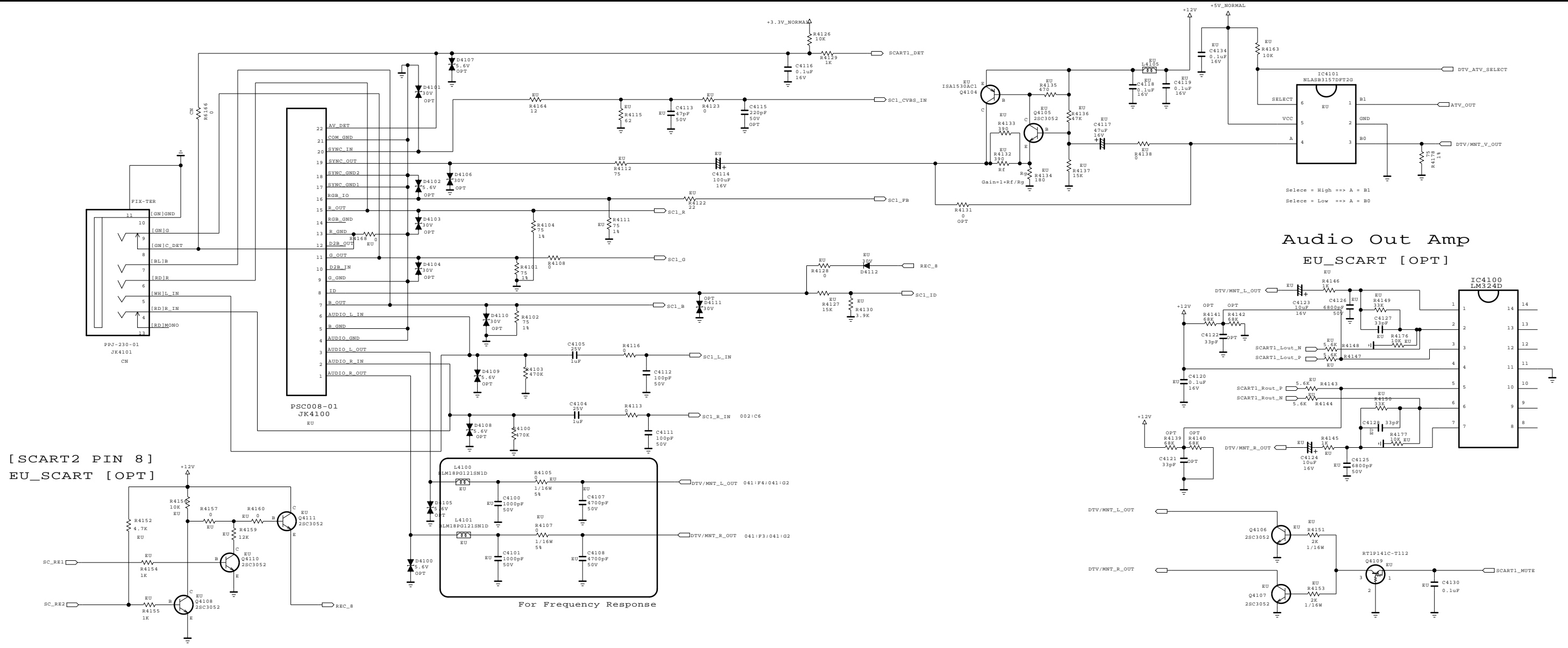
# USB2 OPTION



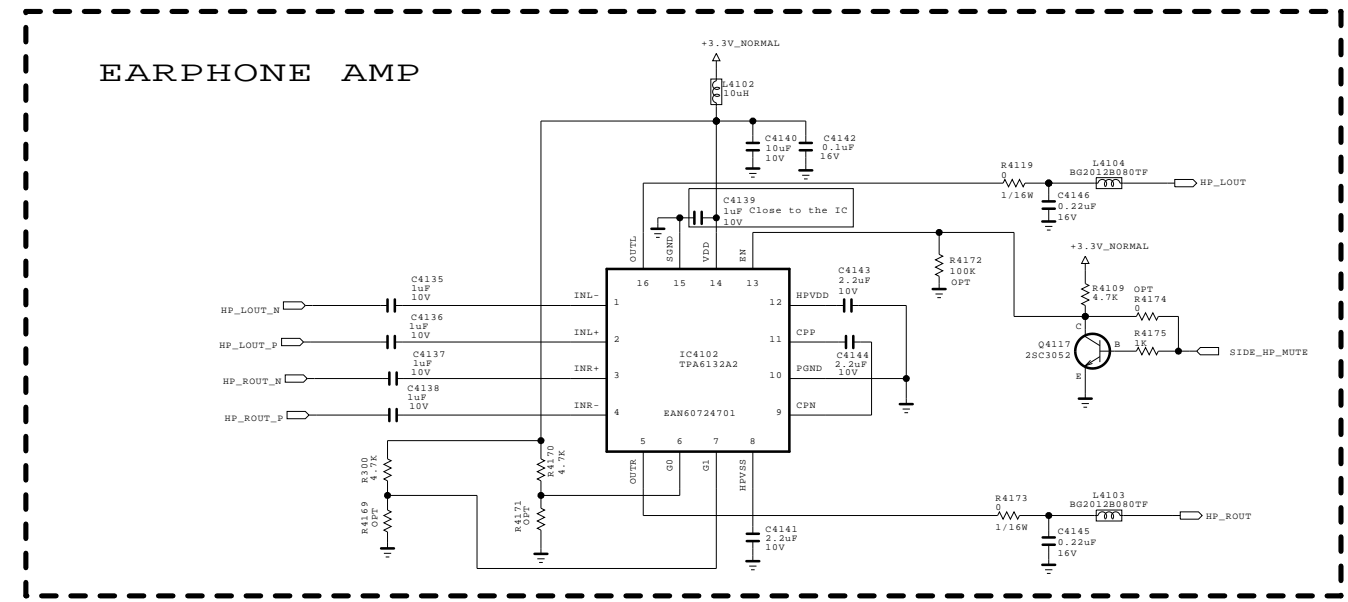
THE SYMBOL MARK OF THIS SCHEMATIC DIAGRAM INCORPORATES SPECIAL FEATURES IMPORTANT FOR PROTECTION FROM X-RADIATION. FILM AND ELECTRICAL SHOCK HAZARDS, WHEN SERVICING IF IS ESSENTIAL THAT ONLY MANUFACTURERS SPECIFIED PARTS BE USED FOR THE CRITICAL COMPONENTS IN THE SYMBOL MARK OF THE SCHEMATIC.

SECRET	LG ELECTRONICS
LGElectronics	

MODEL		DATE	
BLOCK		SHEET	40 /



### EARPHONE BLOCK



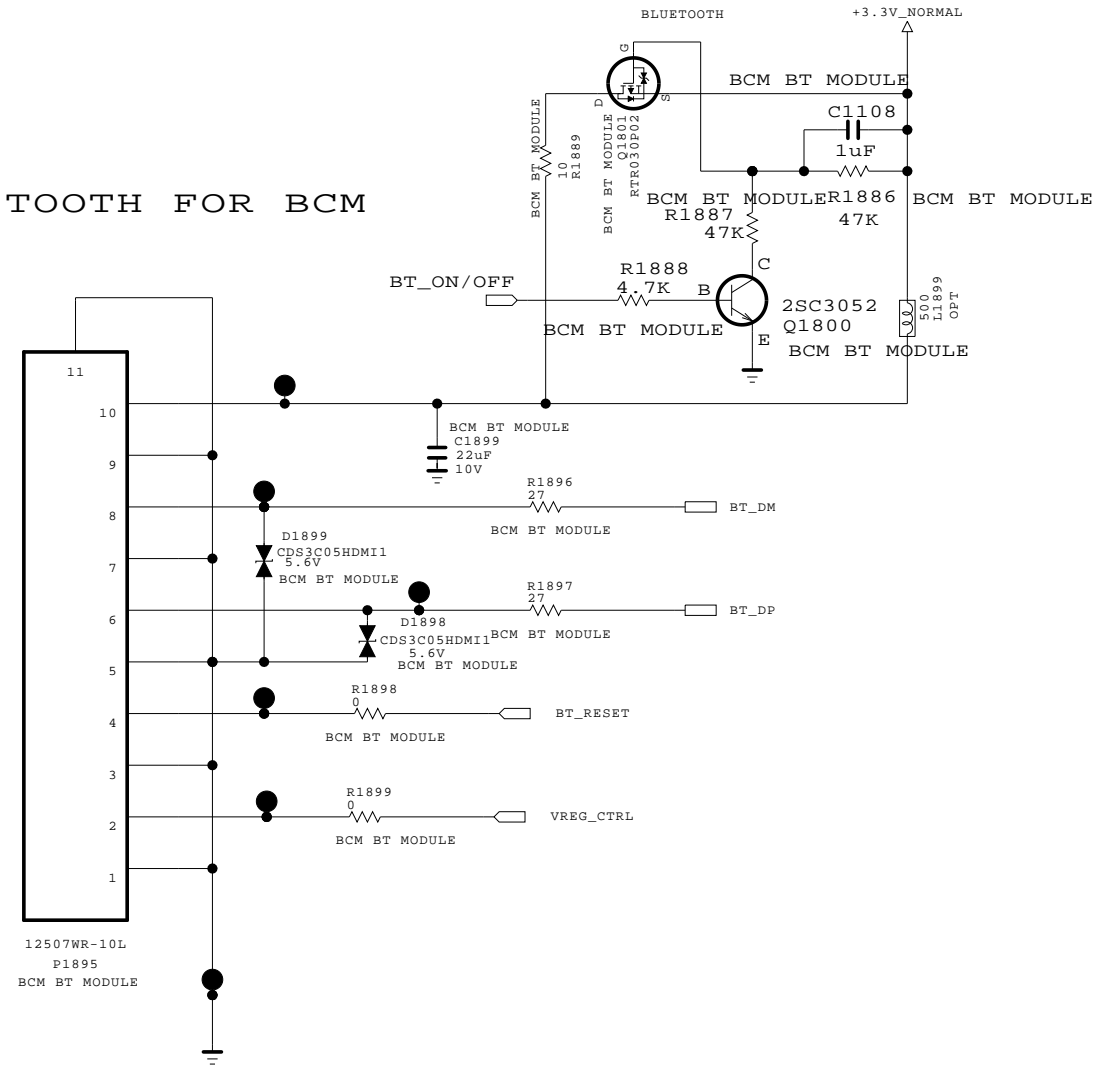
THE SYMBOL MARK OF THIS SCHEMATIC DIAGRAM INCORPORATES SPECIAL FEATURES IMPORTANT FOR PROTECTION FROM X-RADIATION. FILRE AND ELECTRICAL SHOCK HAZARDS, WHEN SERVICING IF IS ESSENTIAL THAT ONLY MANUFACTURES SPECIFIED PARTS BE USED FOR THE CRITICAL COMPONENTS IN THE SYMBOL MARK OF THE SCHEMATIC.

**SECRET**  
LGElectronics



MODEL	EUROBBTV	DATE	2009.06.18
BLOCK	ETC SUB BOARD I/F	SHEET	41

# BLUETOOTH FOR BCM

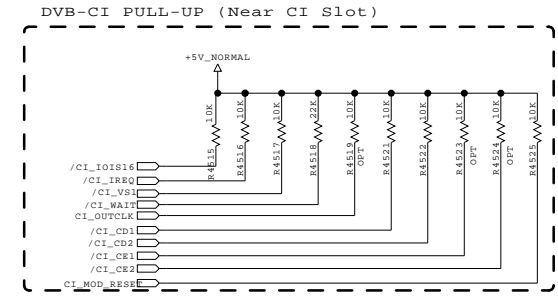
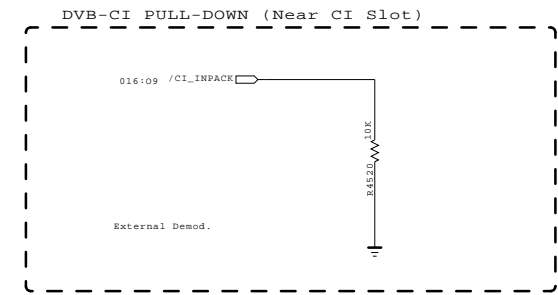
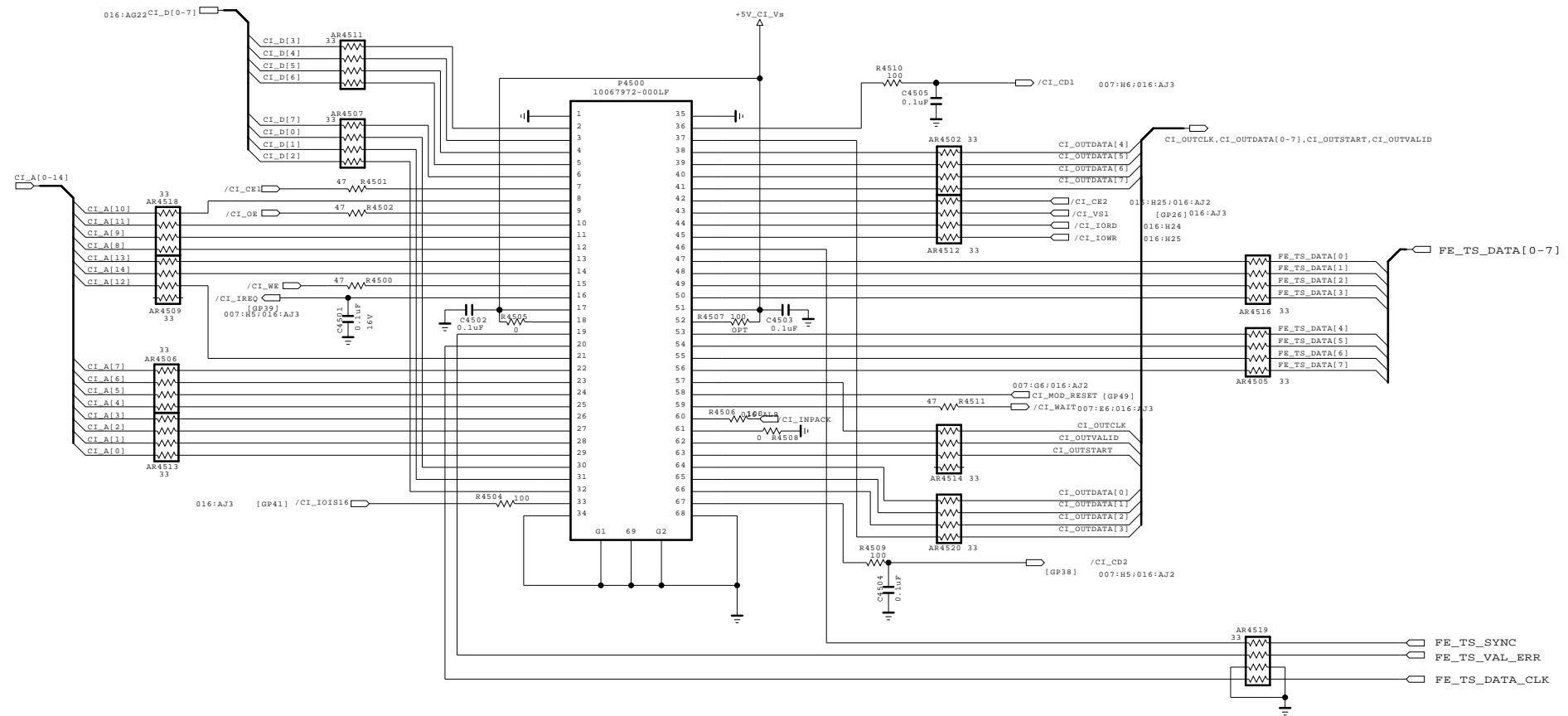
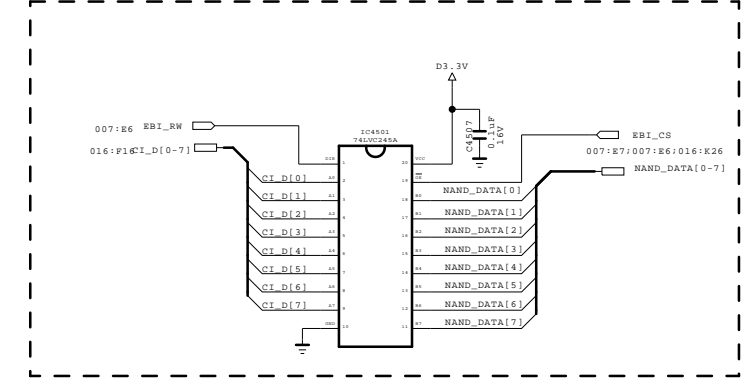
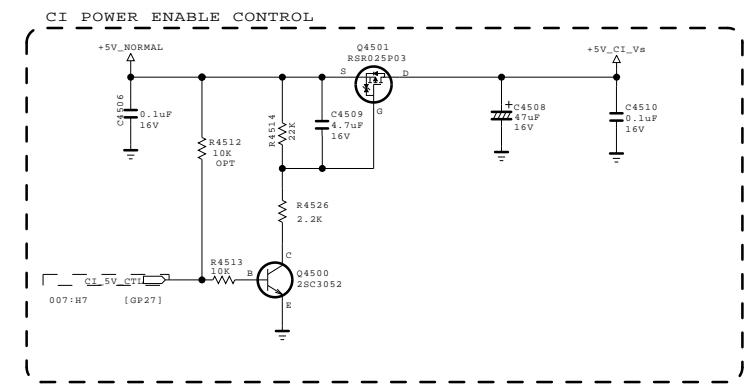
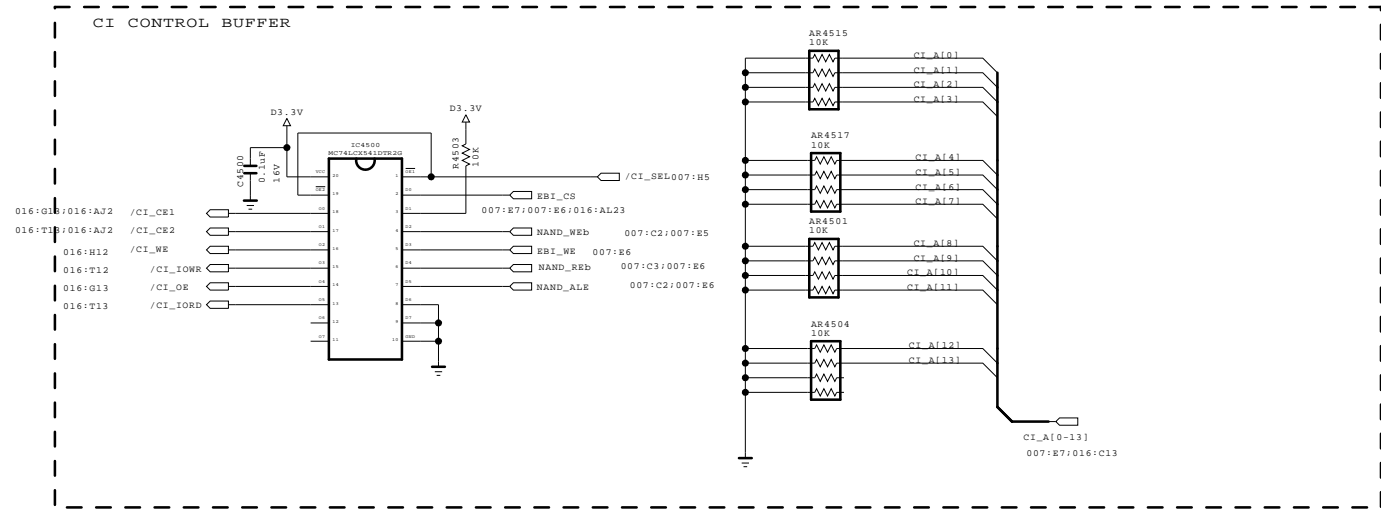


THE SYMBOL MARK OF THIS SCHEMATIC DIAGRAM INCORPORATES SPECIAL FEATURES IMPORTANT FOR PROTECTION FROM X-RADIATION. FILRE AND ELECTRICAL SHOCK HAZARDS, WHEN SERVICING IF IS ESSENTIAL THAT ONLY MANUFACTURES SPECIFIED PARTS BE USED FOR THE CRITICAL COMPONENTS IN THE SYMBOL MARK OF THE SCHEMATIC.

<b>SECRET</b>	LG ELECTRONICS
LGElectronics	

MODEL		DATE	
BLOCK		SHEET	43 /





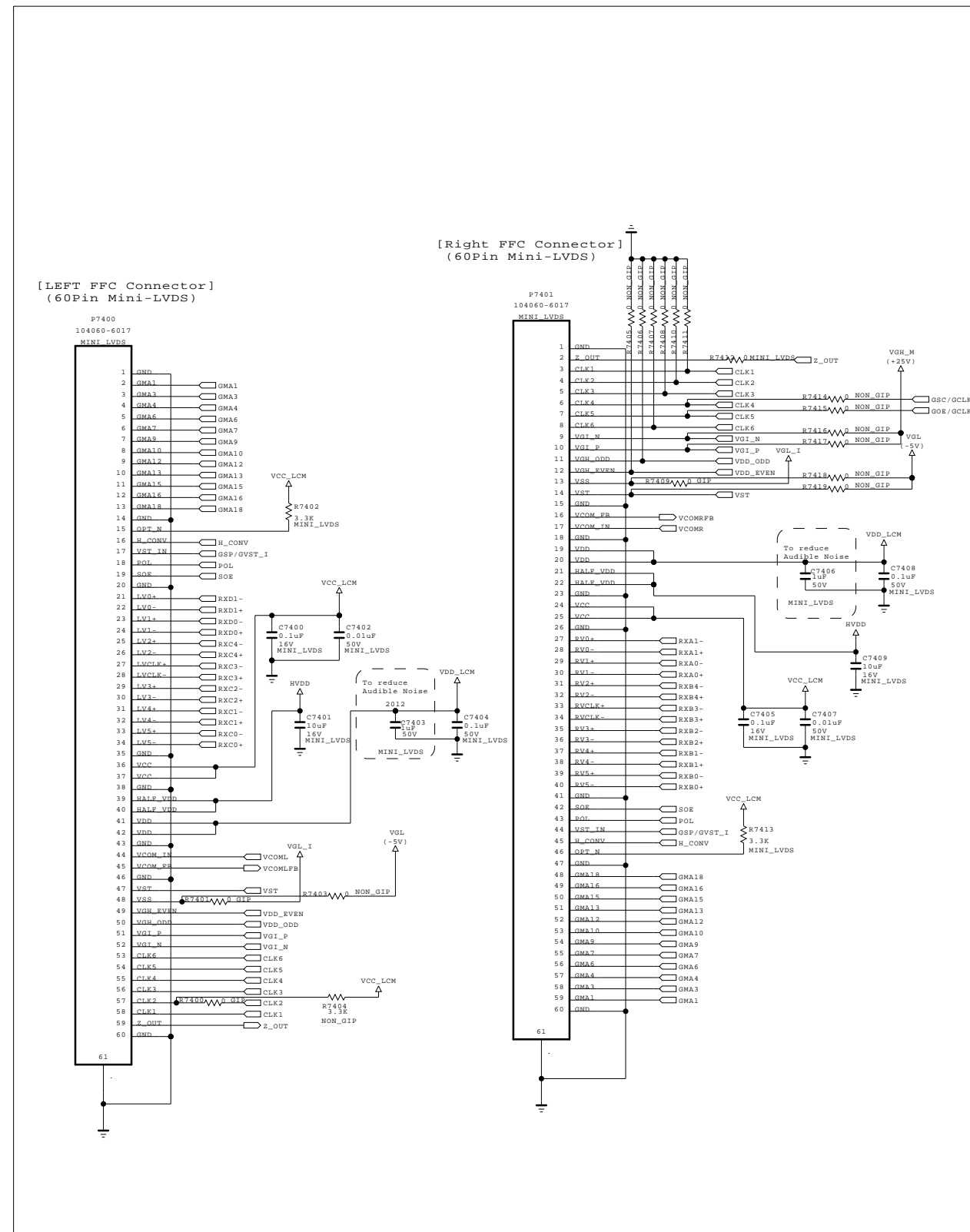
THE SYMBOL MARK OF THIS SCHEMATIC DIAGRAM INCORPORATES SPECIAL FEATURES IMPORTANT FOR PROTECTION FROM X-RADIATION. FILRE AND ELECTRICAL SHOCK HAZARDS, WHEN SERVICING IF IS ESSENTIAL THAT ONLY MANUFACTURES SPECIFIED PARTS BE USED FOR THE CRITICAL COMPONENTS IN THE SYMBOL MARK OF THE SCHEMATIC.

**SECRET**  
LGElectronics



MODEL	EUROBBTV	DATE	2009.06.18
BLOCK	CI	SHEET	45

Mini LVDS



THE SYMBOL MARK OF THIS SCHEMATIC DIAGRAM INCORPORATES SPECIAL FEATURES IMPORTANT FOR PROTECTION FROM X-RADIATION. FILRE AND ELECTRICAL SHOCK HAZARDS, WHEN SERVICING IF IS ESSENTIAL THAT ONLY MANUFACTURES SPECIFIED PARTS BE USED FOR THE CRITICAL COMPONENTS IN THE SYMBOL MARK OF THE SCHEMATIC.

SECRET  
LGElectronics

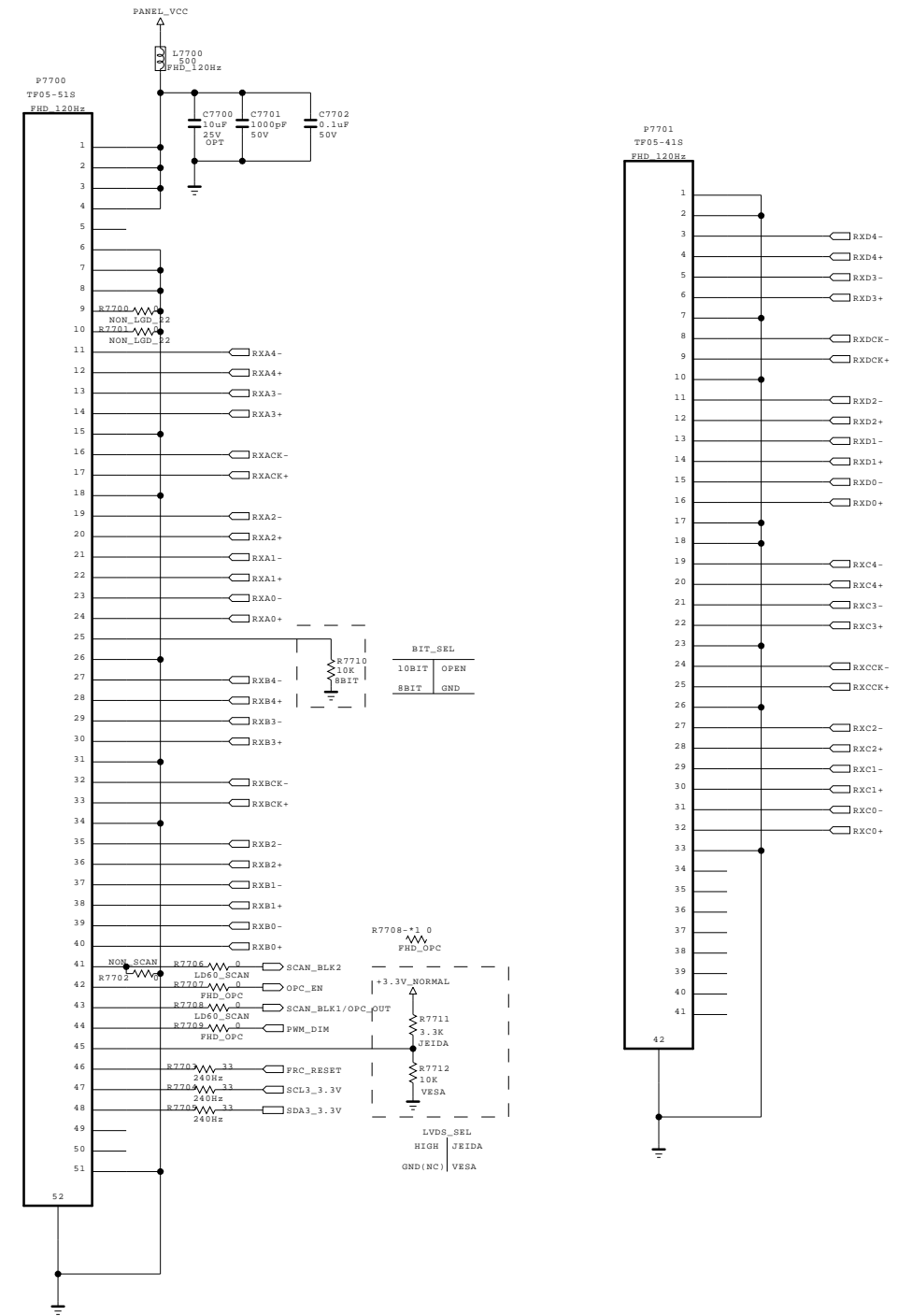


MODEL	COMMON	DATE	09/10/xx
BLOCK	URSA3 120Hz MINI_LVDS	SHEET	74

LVDS

[51Pin LVDS Connector]  
(For FHD 60/120Hz)

[41Pin LVDS Connector]  
(For FHD 120Hz)



TP7700 ● — OPC\_OUT

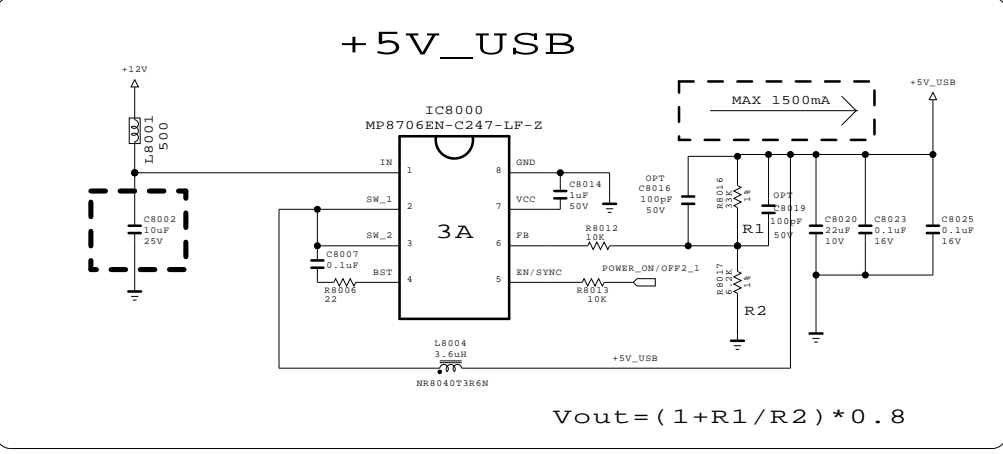
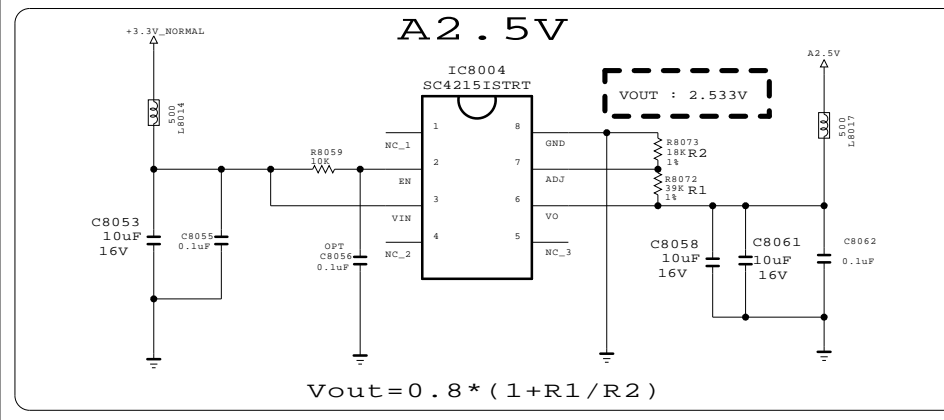
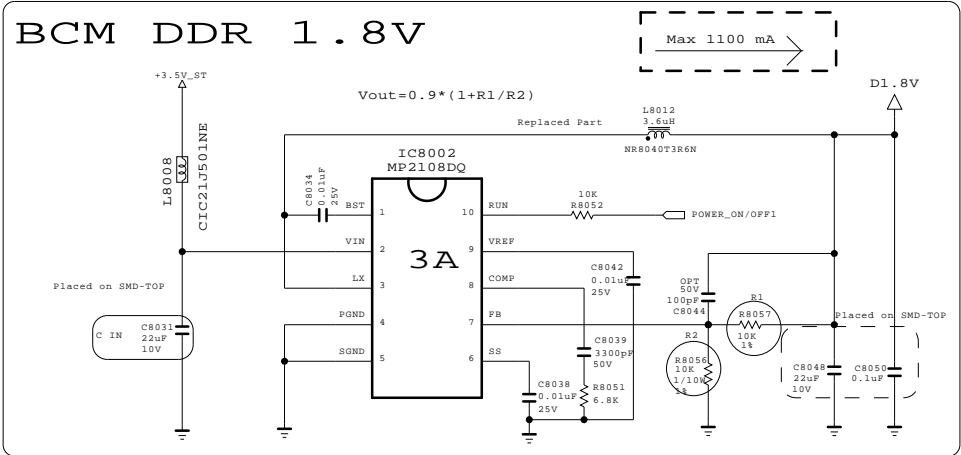
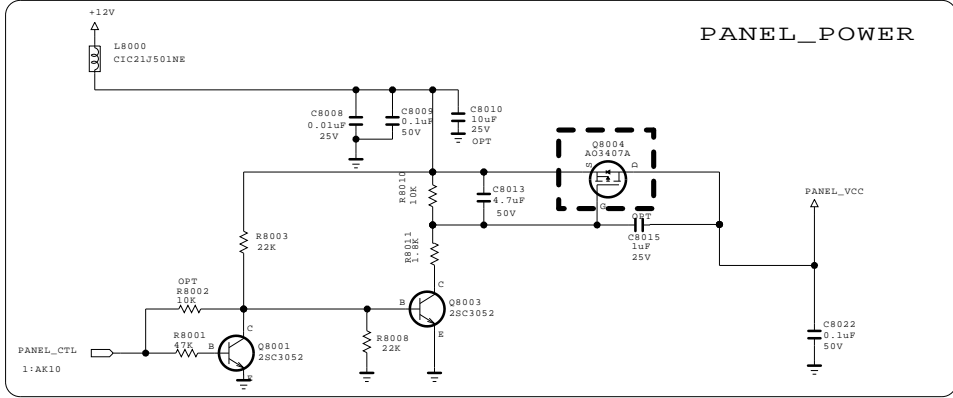
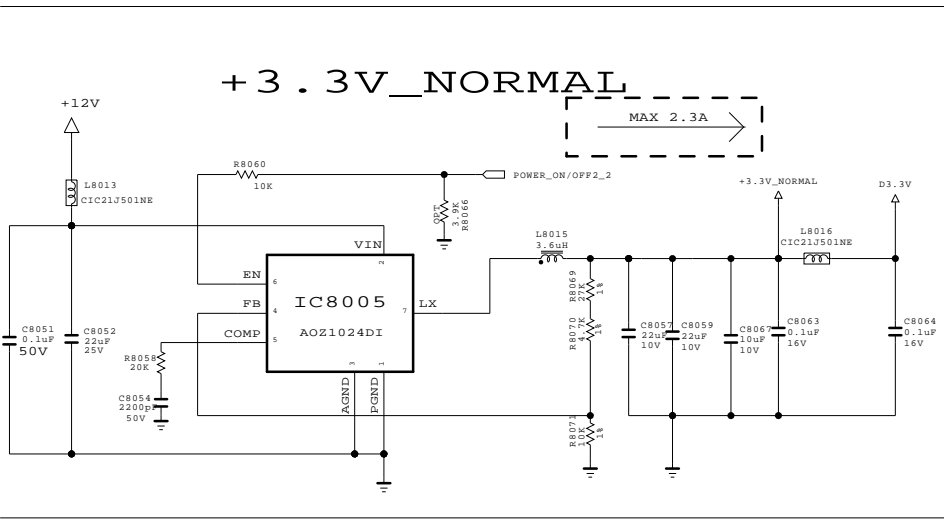
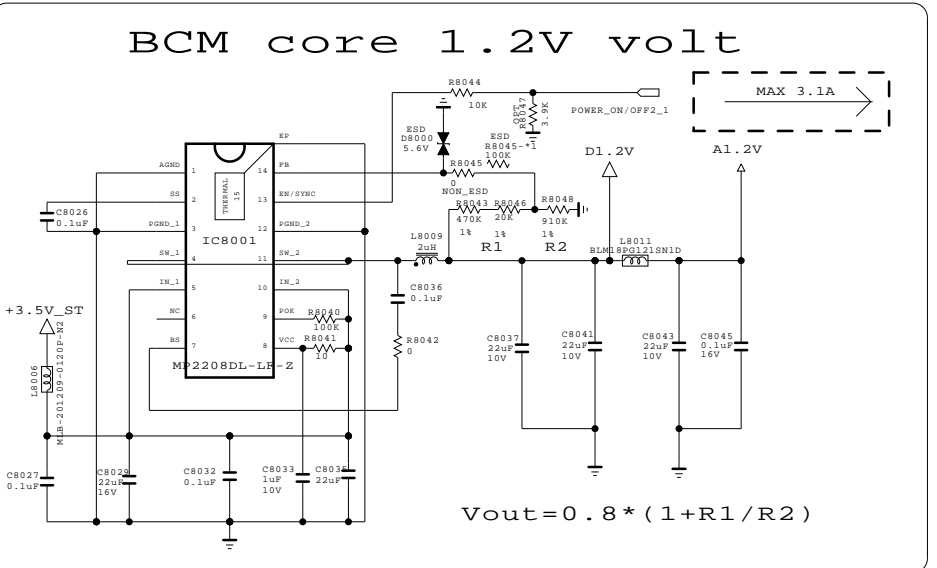
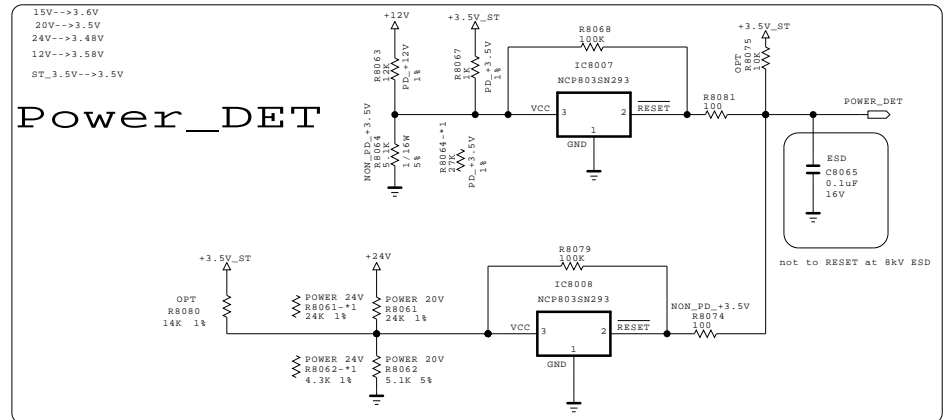
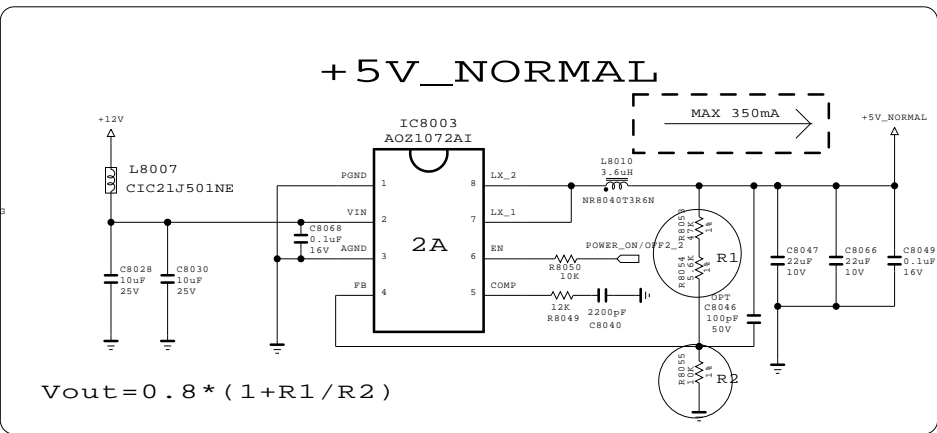
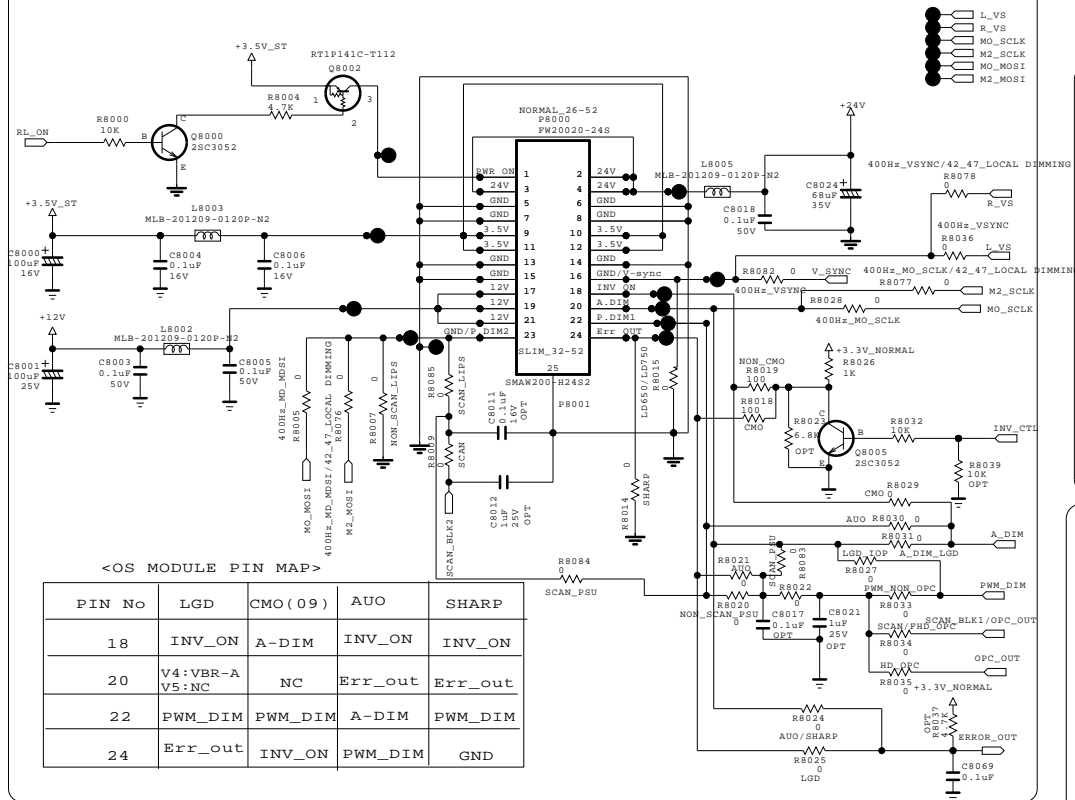
THE SYMBOL MARK OF THIS SCHEMATIC DIAGRAM INCORPORATES SPECIAL FEATURES IMPORTANT FOR PROTECTION FROM X-RADIATION. FILRE AND ELECTRICAL SHOCK HAZARDS, WHEN SERVICING IF IS ESSENTIAL THAT ONLY MANUFACTURES SPECIFIED PARTS BE USED FOR THE CRITICAL COMPONENTS IN THE SYMBOL MARK OF THE SCHEMATIC.

**SECRET**  
LGElectronics



MODEL		DATE	
BLOCK		SHEET	35 /

# FROM LIPS & POWER B/D

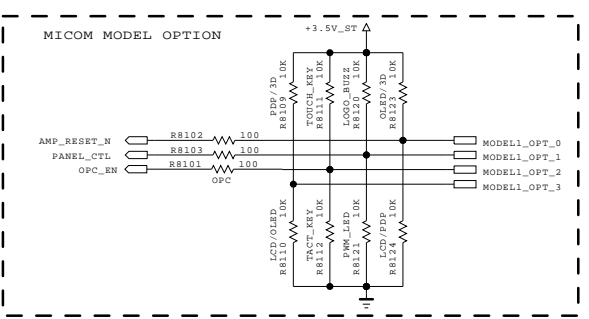
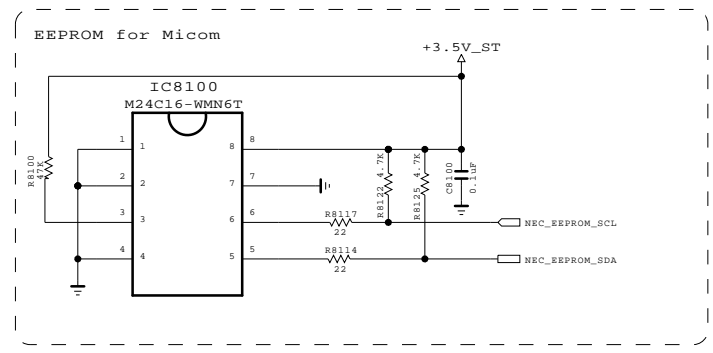
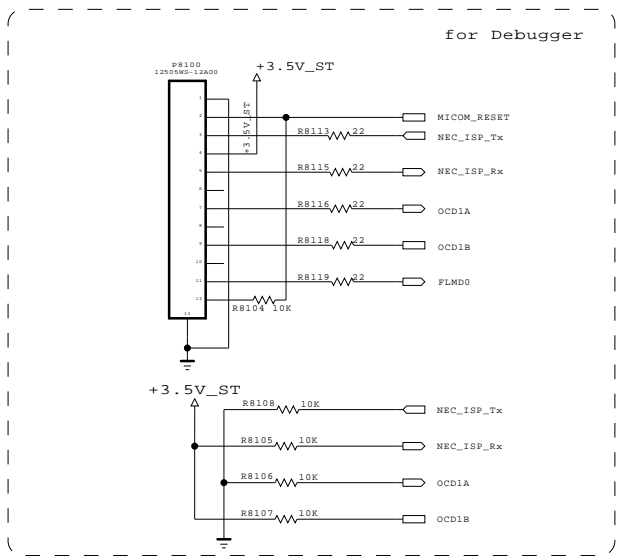


THE  $\Delta$  SYMBOL MARK OF THIS SCHEMATIC DIAGRAM INCORPORATES SPECIAL FEATURES IMPORTANT FOR PROTECTION FROM X-RADIATION. FILRE AND ELECTRICAL SHOCK HAZARDS, WHEN SERVICING IF IS ESSENTIAL THAT ONLY MANUFACTURES SPECIFIED PARTS BE USED FOR THE CRITICAL COMPONENTS IN THE  $\Delta$  SYMBOL MARK OF THE SCHEMATIC.

**SECRET**  
LGElectronics



MODEL	BCM (EUROBBTV)	DATE	
BLOCK	POWER	SHEET	15



MODEL OPTION

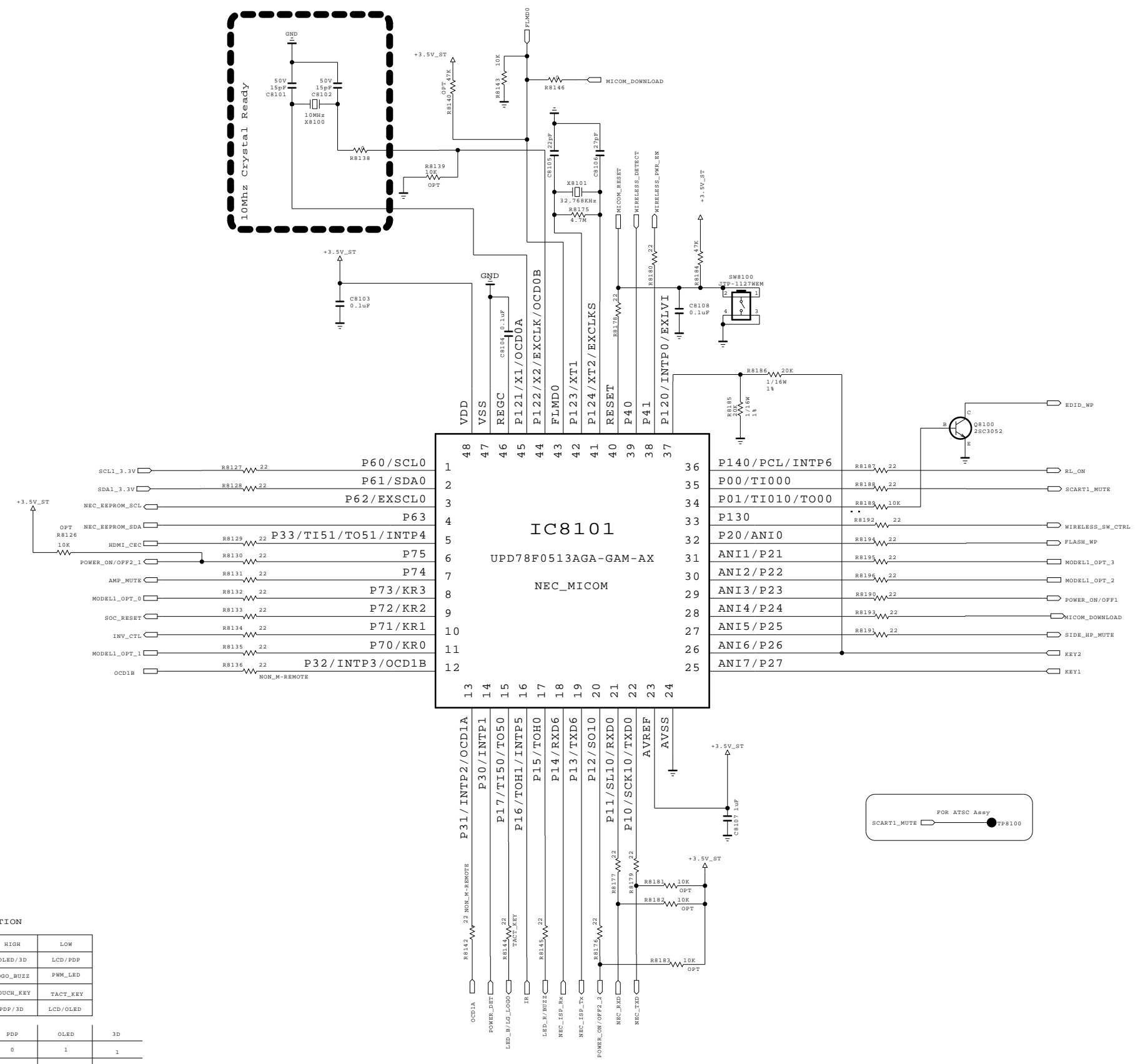
PIN NAME	PIN NO.	HIGH	LOW
MODEL_OPT_0	8	OLED/3D	LCD/PDP
MODEL_OPT_1	11	LOGO_BUZZ	PMW_LED
MODEL_OPT_2	30	TOUCH_KEY	TACT_KEY
MODEL_OPT_3	31	PDP/3D	LCD/OLED

	LCD	PDP	OLED	3D
MODEL_OPT_0	0	0	1	1
MODEL_OPT_3	0	1	0	1

	LOW	LOW_SMALL	TBD	HIGH
MODEL_OPT_1	0	0	1	1
MODEL_OPT_2	0	1	0	1



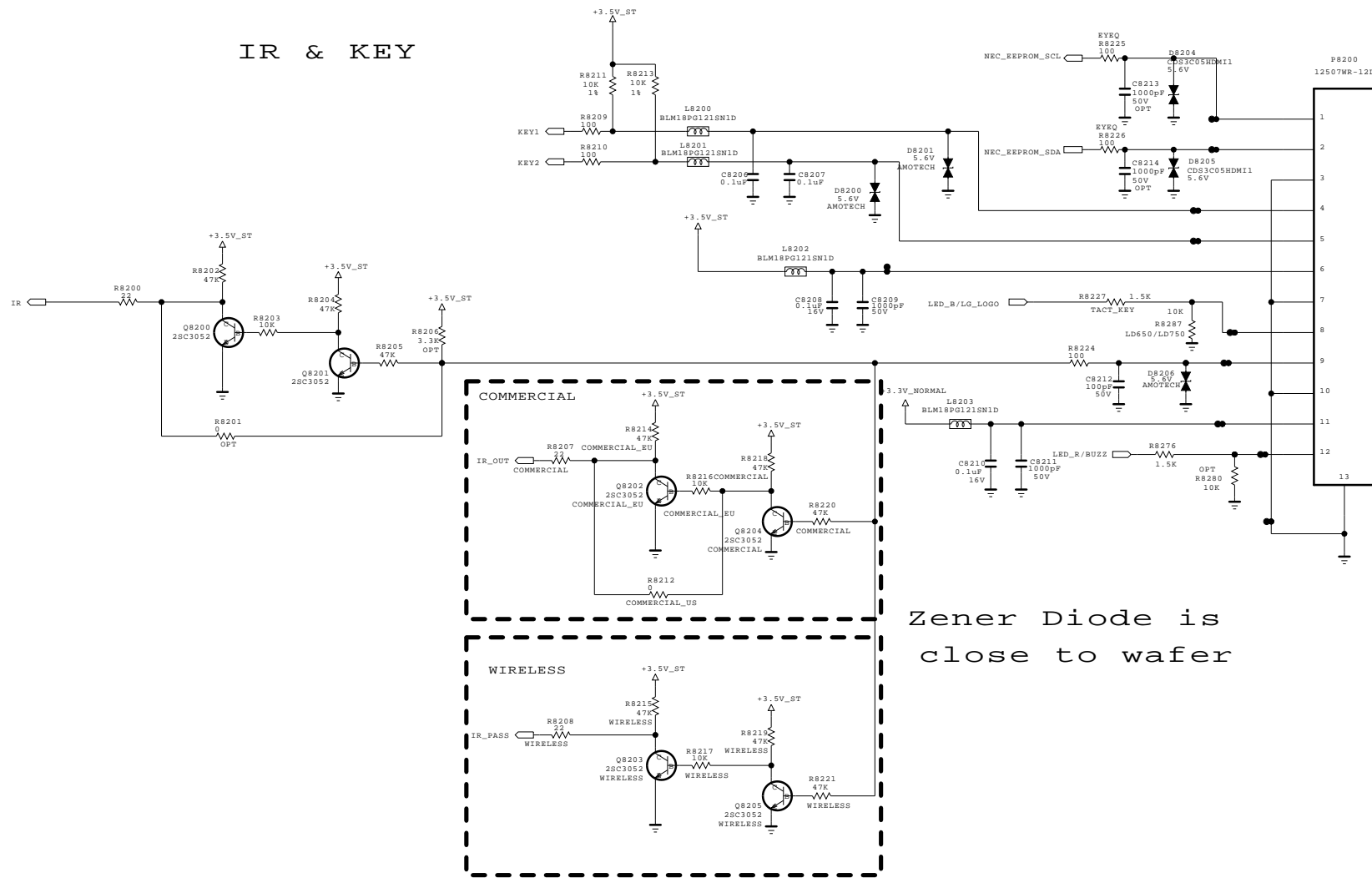
THE SYMBOL MARK OF THIS SCHEMATIC DIAGRAM INCORPORATES SPECIAL FEATURES IMPORTANT FOR PROTECTION FROM X-RADIATION. FILRE AND ELECTRICAL SHOCK HAZARDS, WHEN SERVICING IF IS ESSENTIAL THAT ONLY MANUFACTURES SPECIFIED PARTS BE USED FOR THE CRITICAL COMPONENTS IN THE SYMBOL MARK OF THE SCHEMATIC.

**SECRET**  
LGElectronics

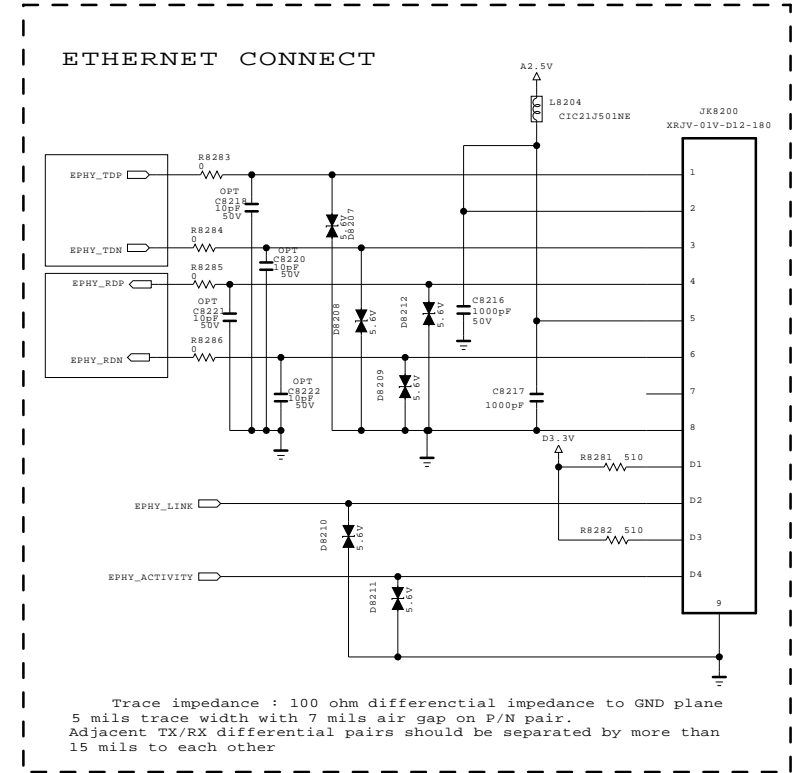


MODEL	GP2_Saturn7M	DATE	Ver. 1.4
BLOCK	MICOM	SHEET	5

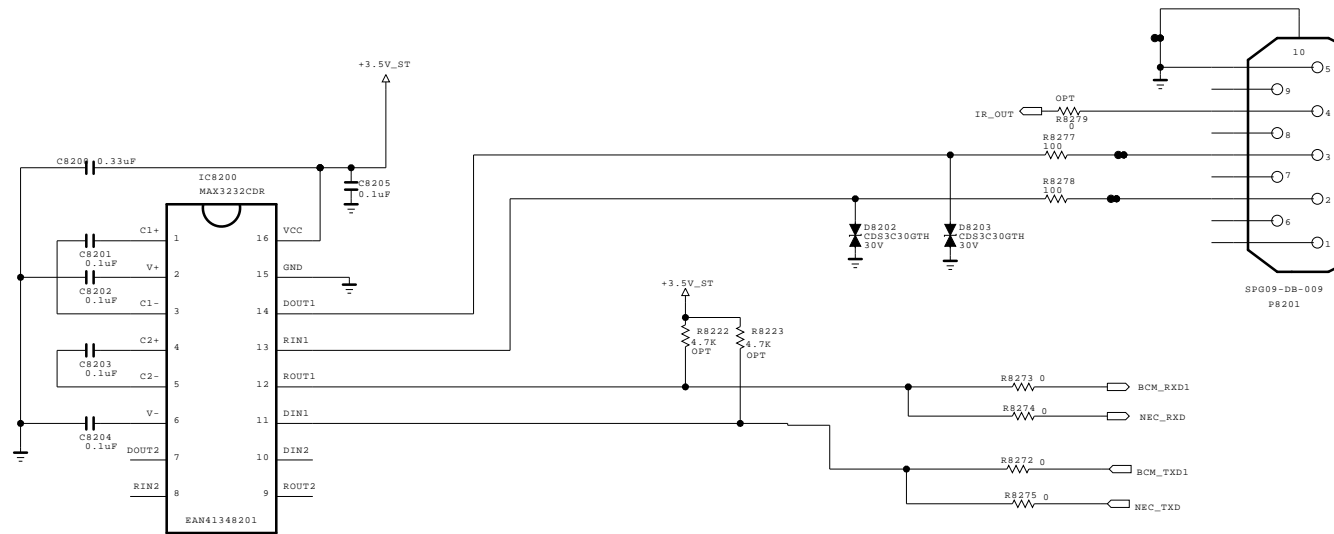
# IR & KEY



Zener Diode is close to wafer



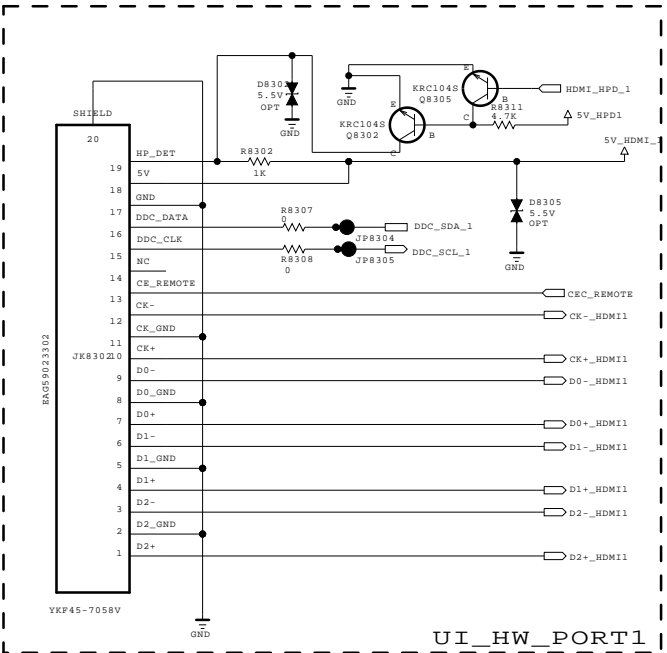
# RS232C



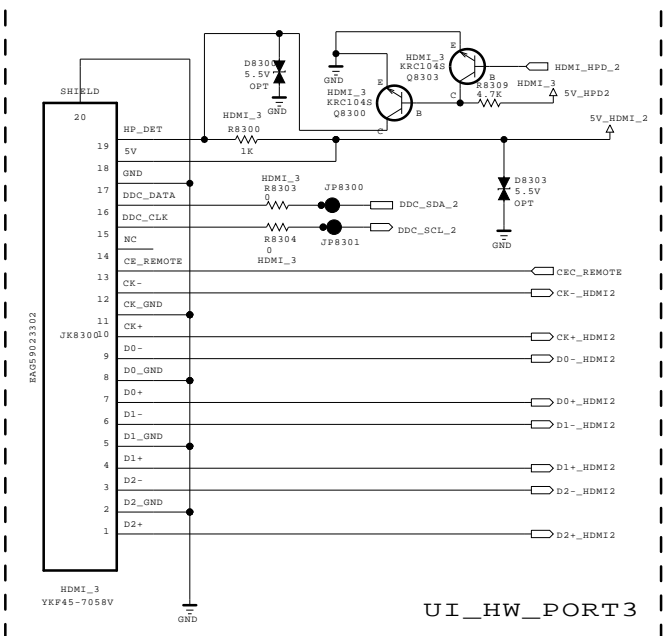
THE SYMBOL MARK OF THIS SCHEMATIC DIAGRAM INCORPORATES SPECIAL FEATURES IMPORTANT FOR PROTECTION FROM X-RADIATION. FILRE AND ELECTRICAL SHOCK HAZARDS, WHEN SERVICING IF IS ESSENTIAL THAT ONLY MANUFACTURES SPECIFIED PARTS BE USED FOR THE CRITICAL COMPONENTS IN THE SYMBOL MARK OF THE SCHEMATIC.

SECRET	LG ELECTRONICS
LGElectronics	

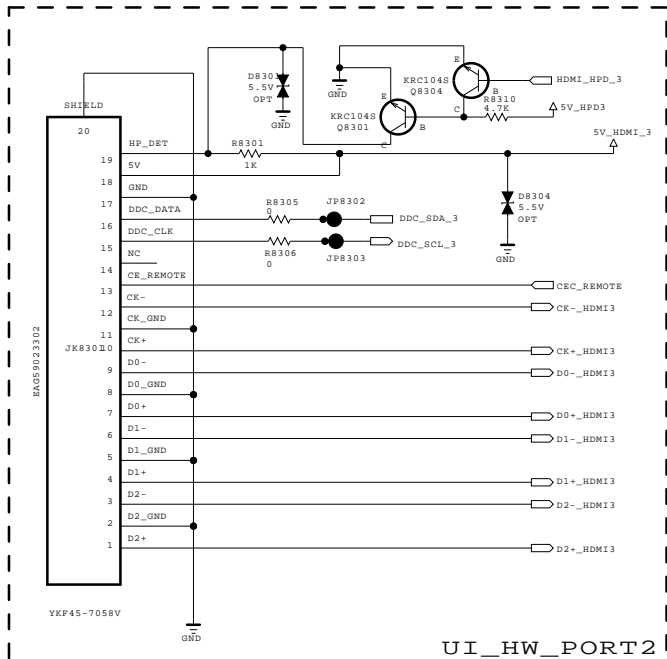
MODEL		DATE	
BLOCK		SHEET	



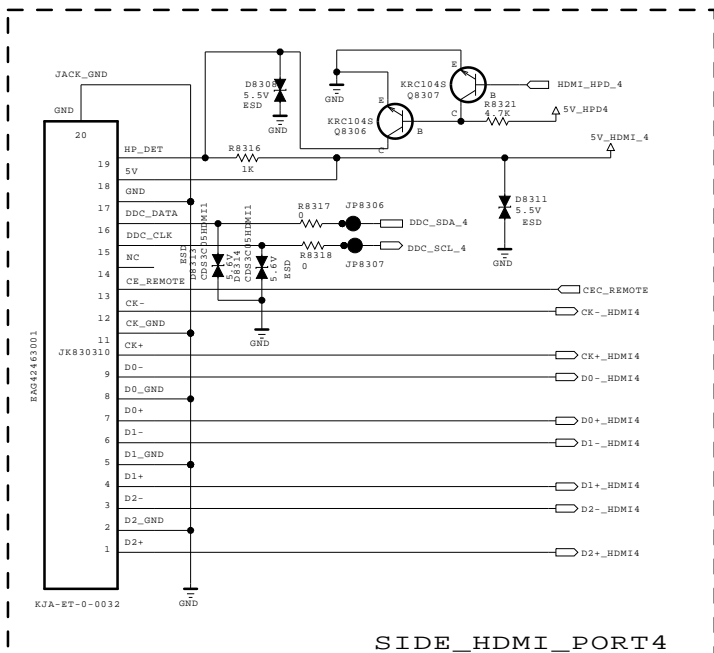
UI\_HW\_PORT1



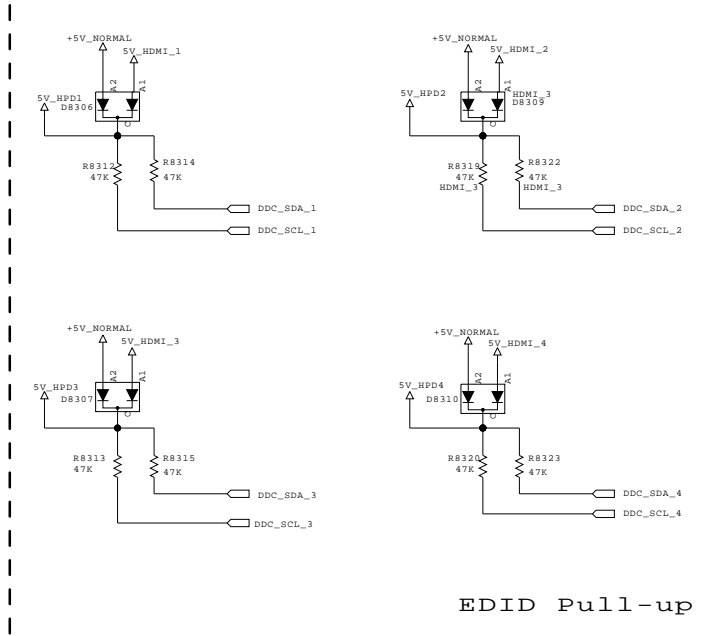
UI\_HW\_PORT3



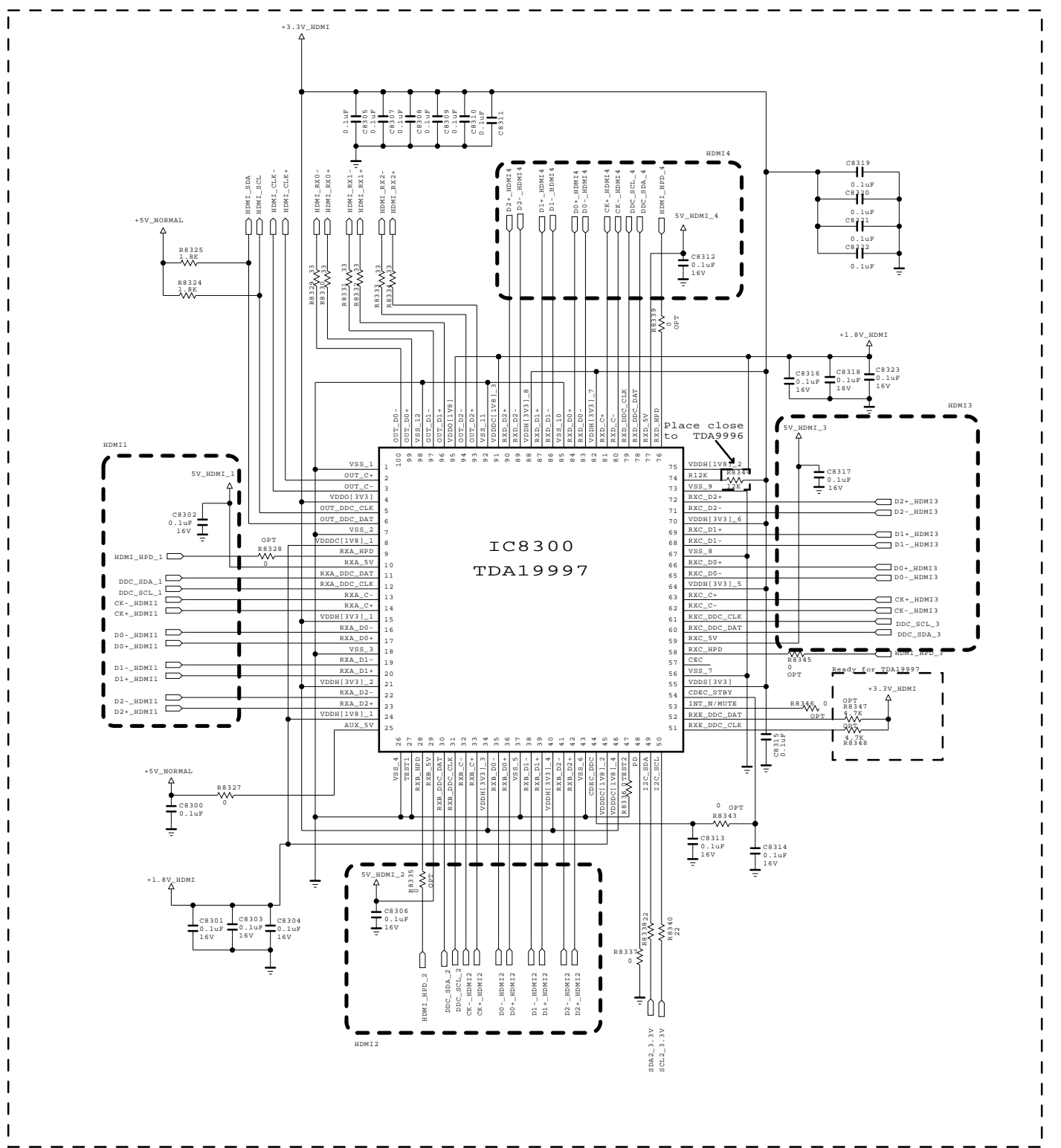
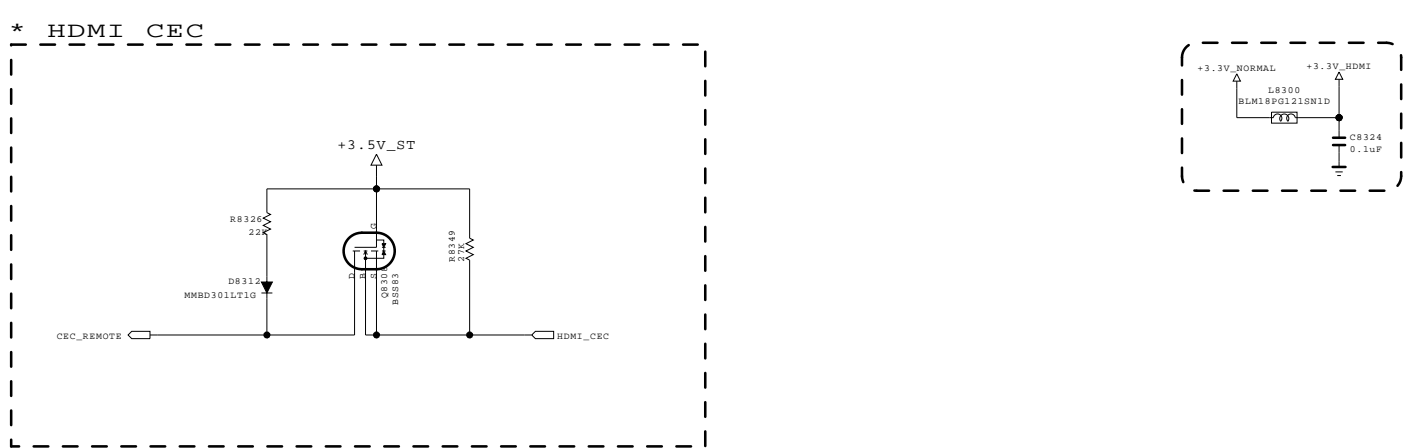
UI\_HW\_PORT2



SIDE\_HDMI\_PORT4



EDID Pull-up



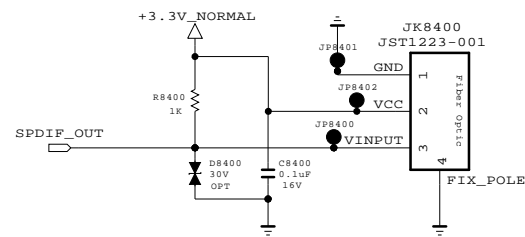
THE SYMBOL MARK OF THIS SCHEMATIC DIAGRAM INCORPORATES SPECIAL FEATURES IMPORTANT FOR PROTECTION FROM X-RADIATION. FILRE AND ELECTRICAL SHOCK HAZARDS, WHEN SERVICING IF IS ESSENTIAL THAT ONLY MANUFACTURES SPECIFIED PARTS BE USED FOR THE CRITICAL COMPONENTS IN THE SYMBOL MARK OF THE SCHEMATIC.

SECRET  
LGElectronics

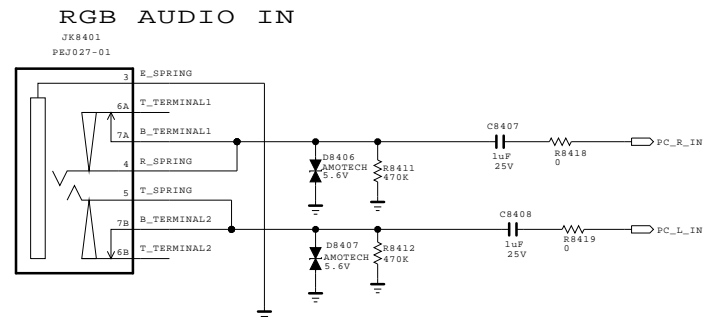
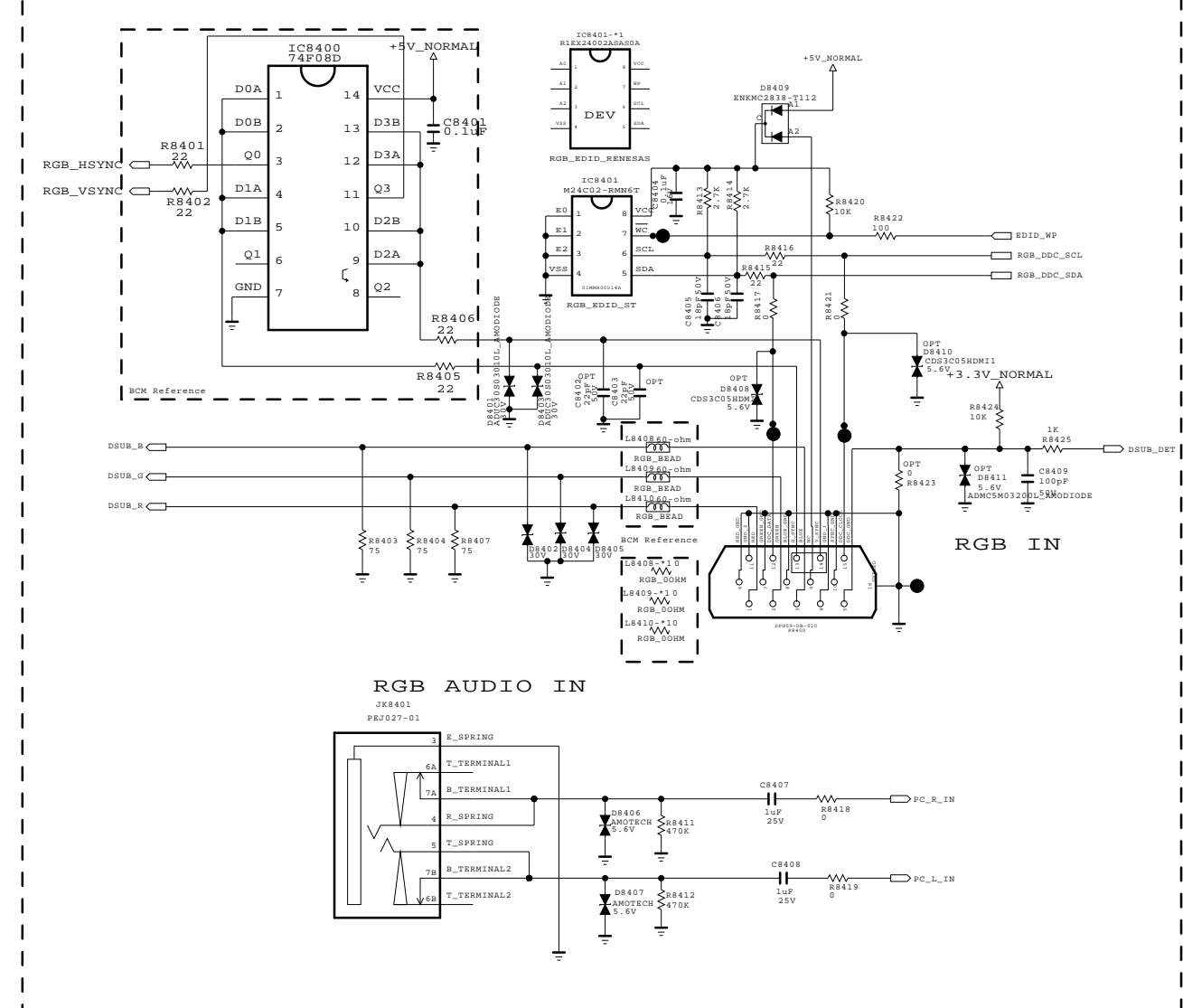
LEE GI YOUNG

LG ELECTRONICS

MODEL	BCM (EUROBBTV)	DATE	2009.06.18
BLOCK	HDMI	SHEET	8



RGB\_PC



THE SYMBOL MARK OF THIS SCHEMATIC DIAGRAM INCORPORATES SPECIAL FEATURES IMPORTANT FOR PROTECTION FROM X-RADIATION. FILRE AND ELECTRICAL SHOCK HAZARDS, WHEN SERVICING IF IS ESSENTIAL THAT ONLY MANUFACTURES SPECIFIED PARTS BE USED FOR THE CRITICAL COMPONENTS IN THE SYMBOL MARK OF THE SCHEMATIC.

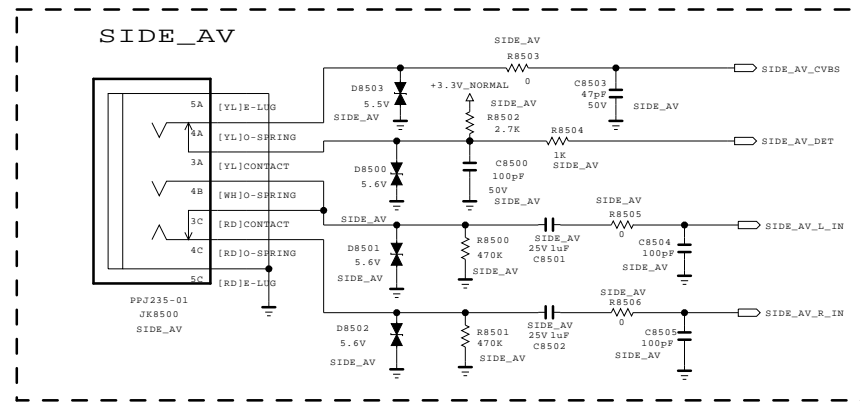
SECRET  
LGElectronics



MODEL	EUROBBTV	DATE	2009.06.18
BLOCK	ETC SUB BOARD I/F	SHEET	9 /



(New Item Development H:9.2mm)



THE SYMBOL MARK OF THIS SCHEMATIC DIAGRAM INCORPORATES SPECIAL FEATURES IMPORTANT FOR PROTECTION FROM X-RADIATION. FILRE AND ELECTRICAL SHOCK HAZARDS, WHEN SERVICING IF IS ESSENTIAL THAT ONLY MANUFACTURES SPECIFIED PARTS BE USED FOR THE CRITICAL COMPONENTS IN THE SYMBOL MARK OF THE SCHEMATIC.

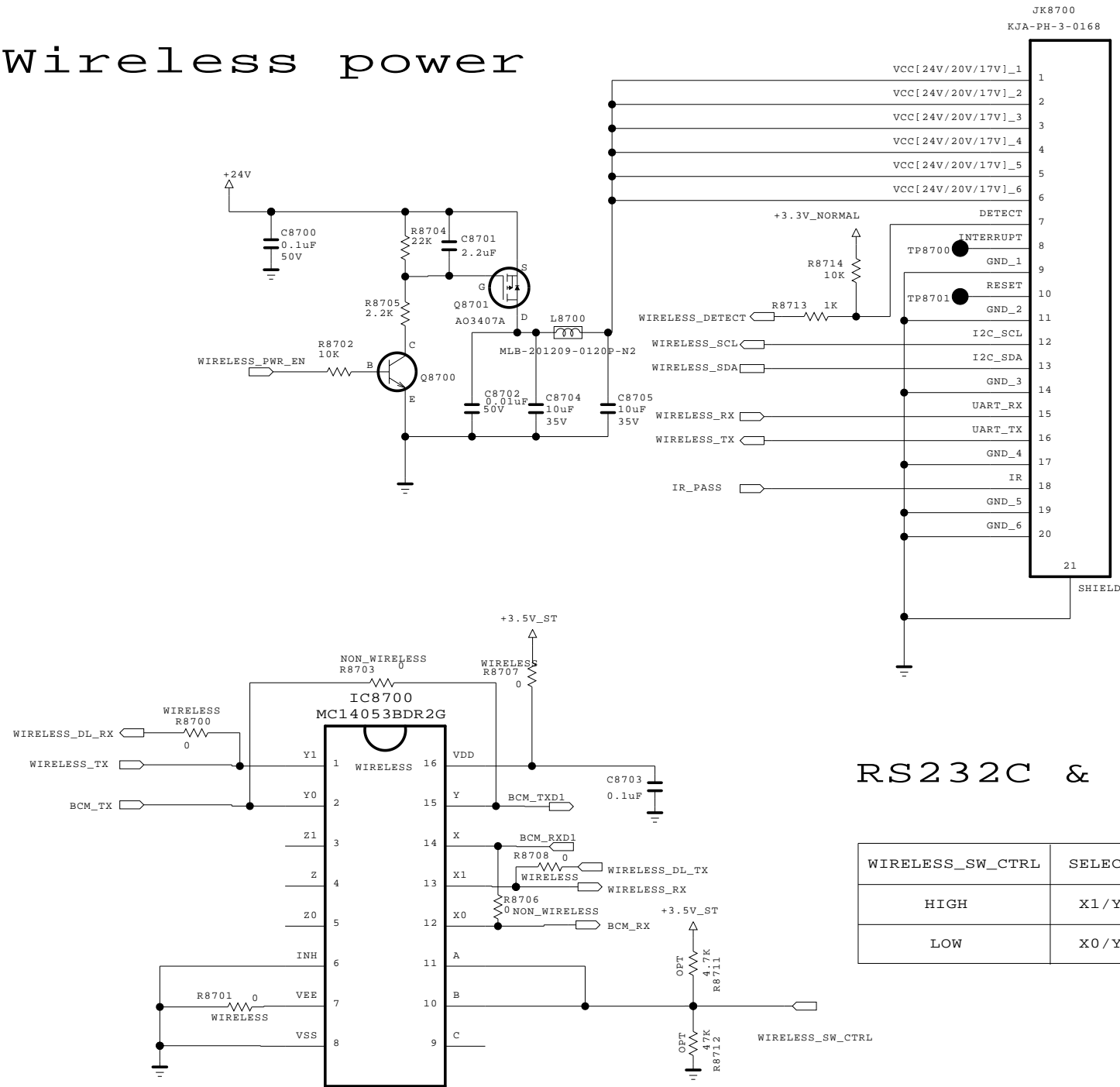
SECRET  
LGElectronics



MODEL		DATE	
BLOCK		SHEET	/

# WIRELESS READY MODEL

## Wireless power



## RS232C & Wireless

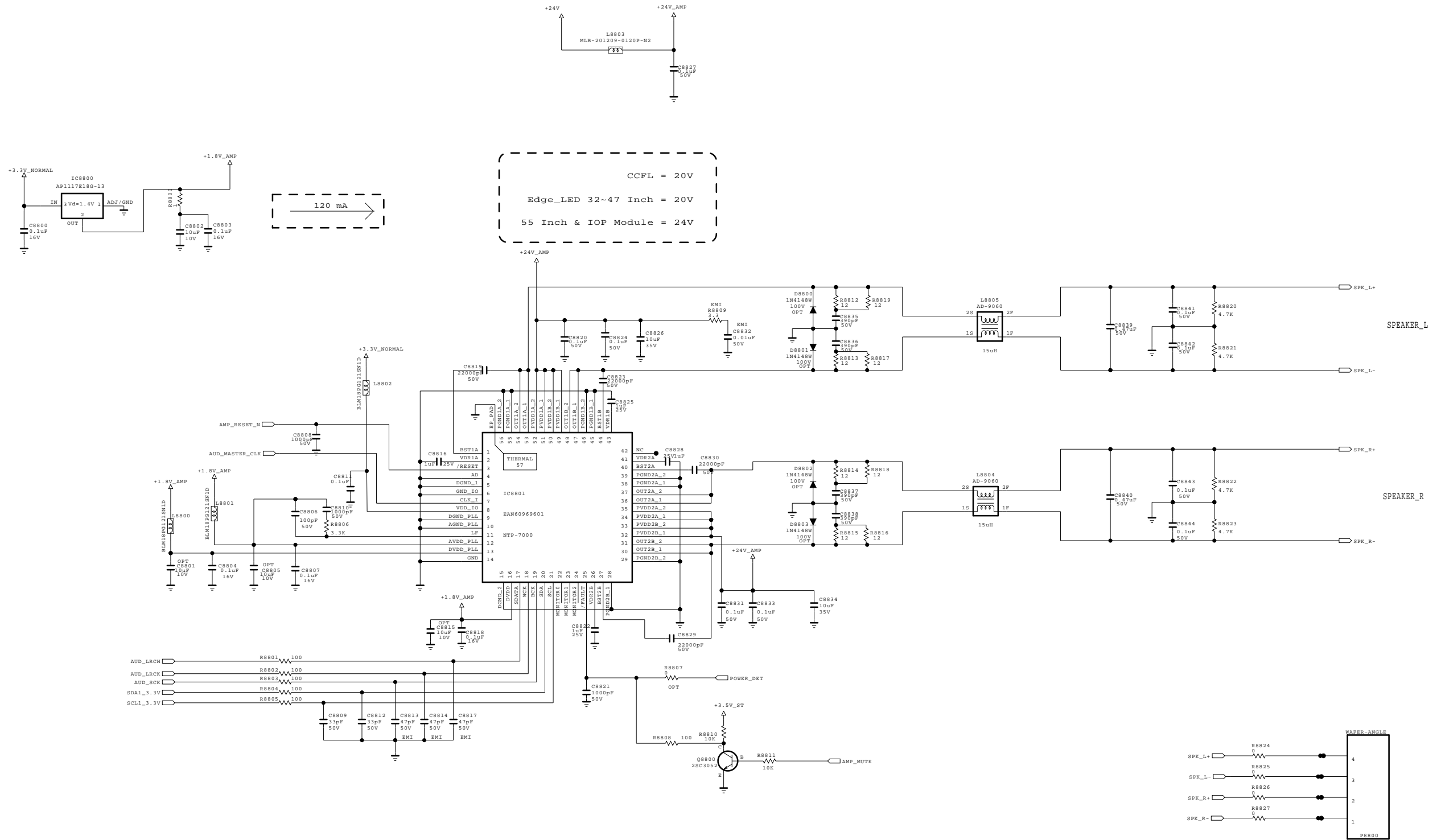
WIRELESS_SW_CTRL	SELECT PIN	STATUS
HIGH	X1/Y1/Z1	WIRELESS Dongle connect --> WIRELESS RS232
LOW	X0/Y0/Z0	WIRELESS Dongle Dis_con --> S7 RS232

THE ⚠ SYMBOL MARK OF THIS SCHEMATIC DIAGRAM INCORPORATES SPECIAL FEATURES IMPORTANT FOR PROTECTION FROM X-RADIATION. FILRE AND ELECTRICAL SHOCK HAZARDS, WHEN SERVICING IF IS ESSENTIAL THAT ONLY MANUFACTURES SPECIFIED PARTS BE USED FOR THE CRITICAL COMPONENTS IN THE ⚠ SYMBOL MARK OF THE SCHEMATIC.

**SECRET**  
**LG Electronics**

**LG ELECTRONICS**

MODEL		DATE	
BLOCK		SHEET	12 /

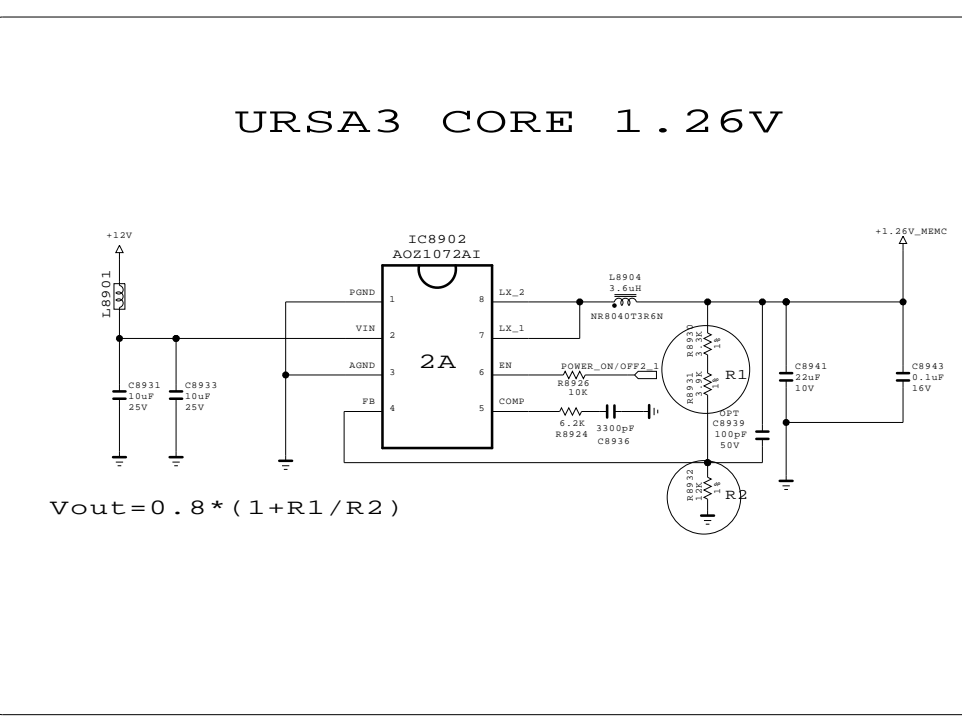
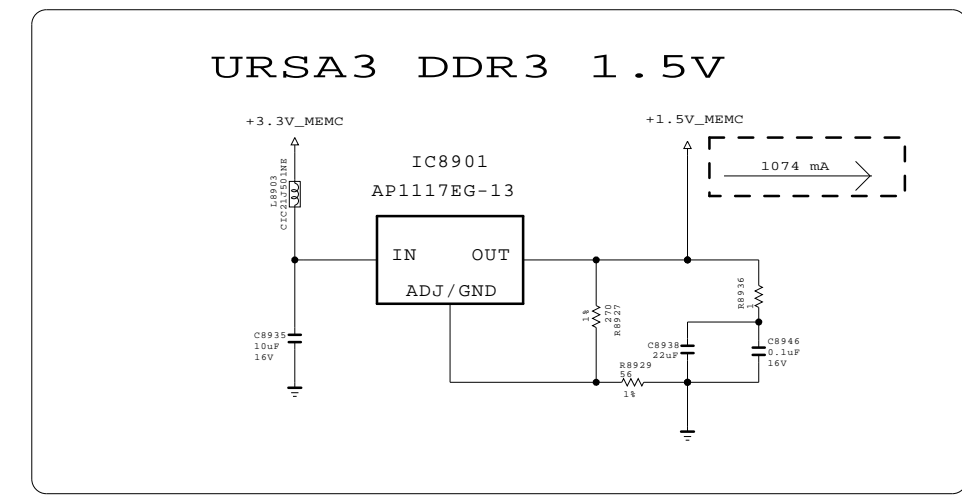
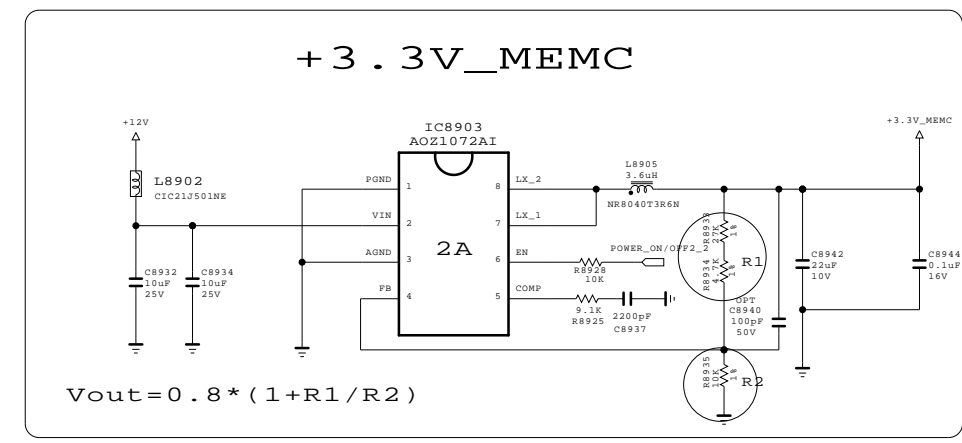
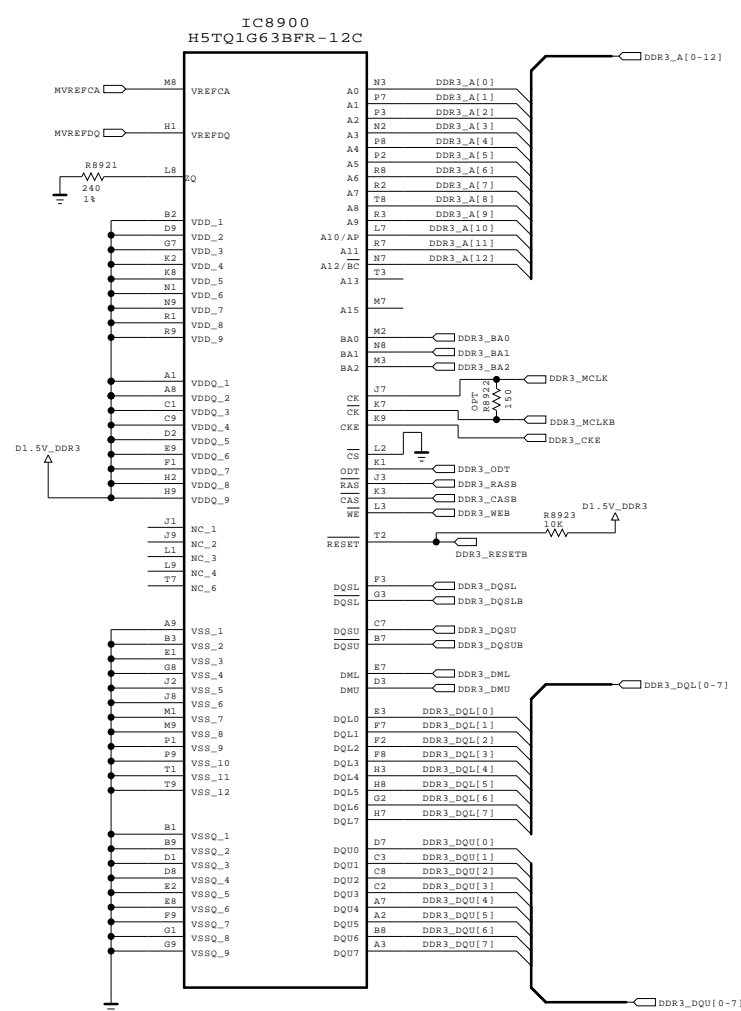
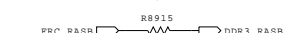
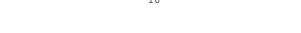
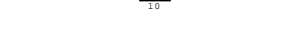
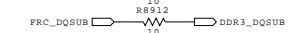
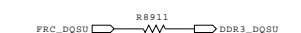
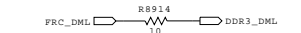
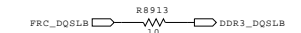
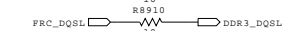
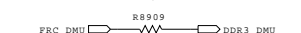
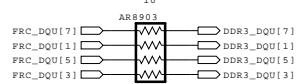
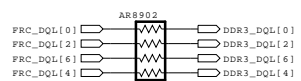
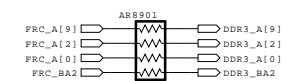
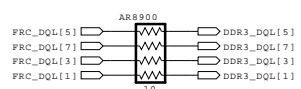
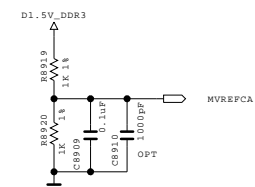
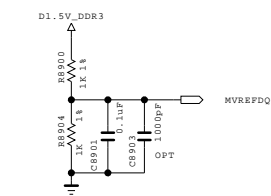
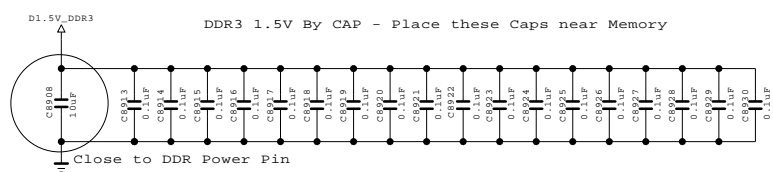
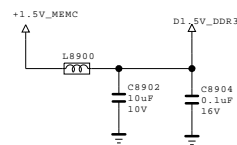


THE SYMBOL MARK OF THIS SCHEMATIC DIAGRAM INCORPORATES SPECIAL FEATURES IMPORTANT FOR PROTECTION FROM X-RADIATION. FILRE AND ELECTRICAL SHOCK HAZARDS, WHEN SERVICING IF IS ESSENTIAL THAT ONLY MANUFACTURES SPECIFIED PARTS BE USED FOR THE CRITICAL COMPONENTS IN THE SYMBOL MARK OF THE SCHEMATIC.

**SECRET**  
LGElectronics

KIM JONG HYUN LG ELECTRONICS

MODEL	BCM (EUROBBTV)	DATE	2009.06.18
BLOCK	NTP7000	SHEET	38 /



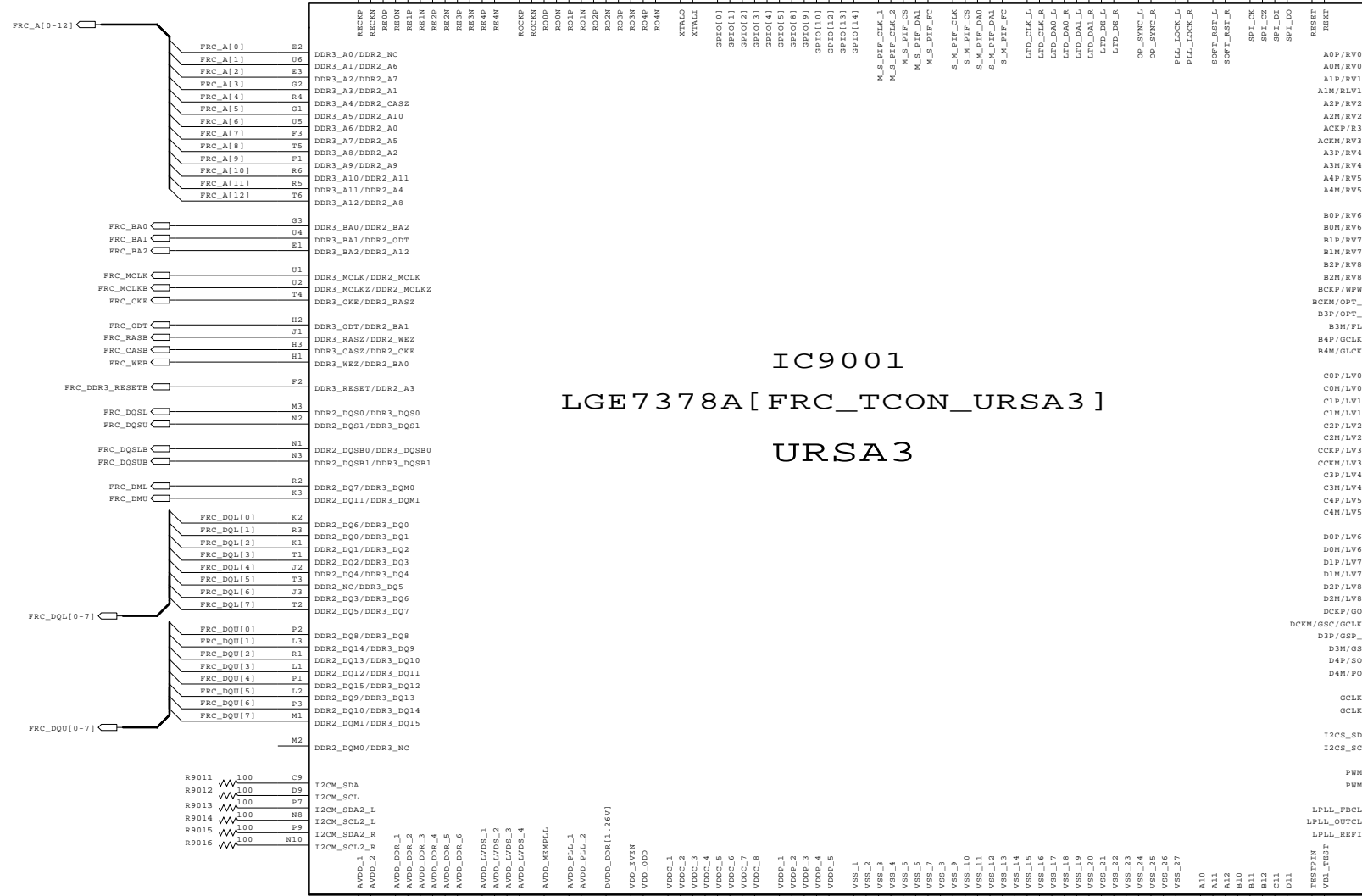
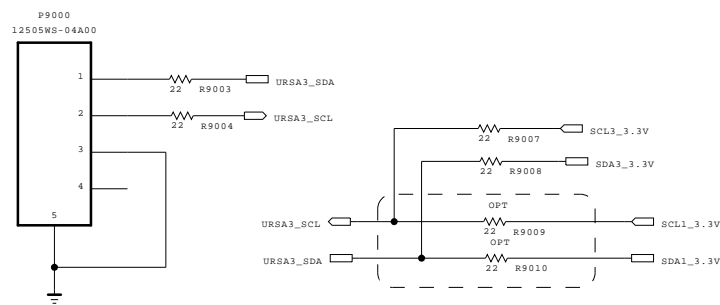
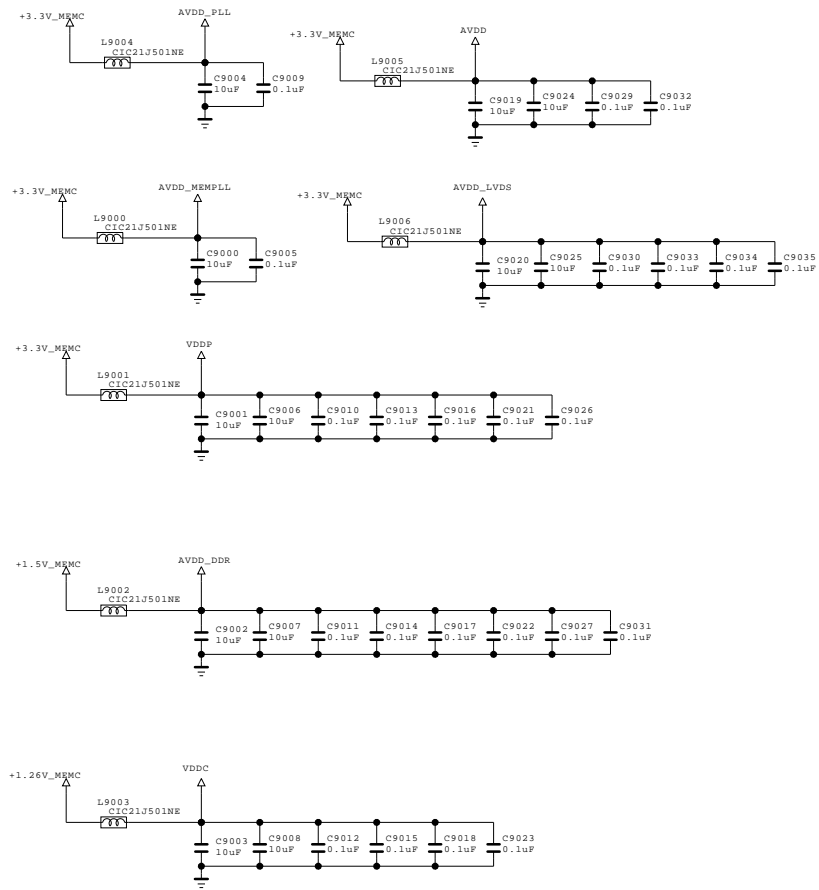
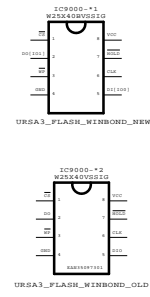
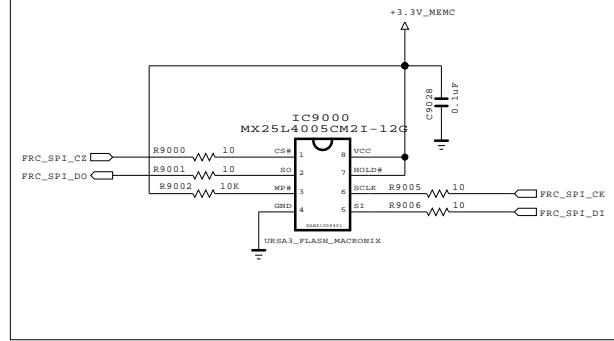
THE SYMBOL MARK OF THIS SCHEMATIC DIAGRAM INCORPORATES SPECIAL FEATURES IMPORTANT FOR PROTECTION FROM X-RADIATION. FILRE AND ELECTRICAL SHOCK HAZARDS, WHEN SERVICING IF IS ESSENTIAL THAT ONLY MANUFACTURES SPECIFIED PARTS BE USED FOR THE CRITICAL COMPONENTS IN THE SYMBOL MARK OF THE SCHEMATIC.

**SECRET**  
LGElectronics

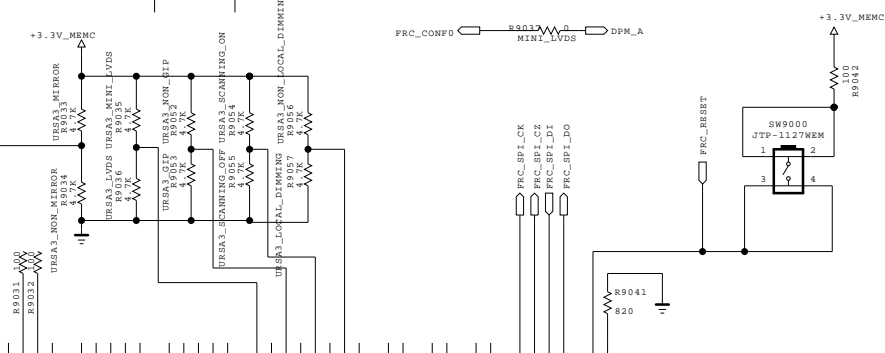


MODEL	COMMON	DATE	2009.09.11
BLOCK	URSA3 DDR & Power	SHEET	89

# Serial Flash

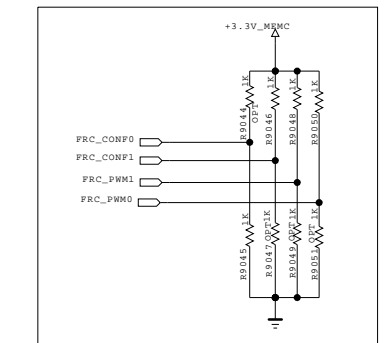


FRC OPTION	LOW	HIGH
K14	NON_MIRROR	MIRROR
T10	LVDS	MINI_LVDS
R10	GIP	NON_GIP
R9	SCAN_OFF	SCAN_ON
U10	LD	NON_LD



## IC9001 LGE7378A [ FRC\_TCON\_URSA3 ] URSA3

### Separate DVDD\_DDR Power



I2C ADR: GPIO1: HI:B8 LOW:B4  
 CHIP\_CONF: {GPIO8, PWM1, PWM0}  
 CHIP\_CONF= 3 \* #5: boot from internal SRAM  
 CHIP\_CONF= 3 \* #6: boot from EEPROM  
 CHIP\_CONF= 3 \* #7: boot from SPI Flash

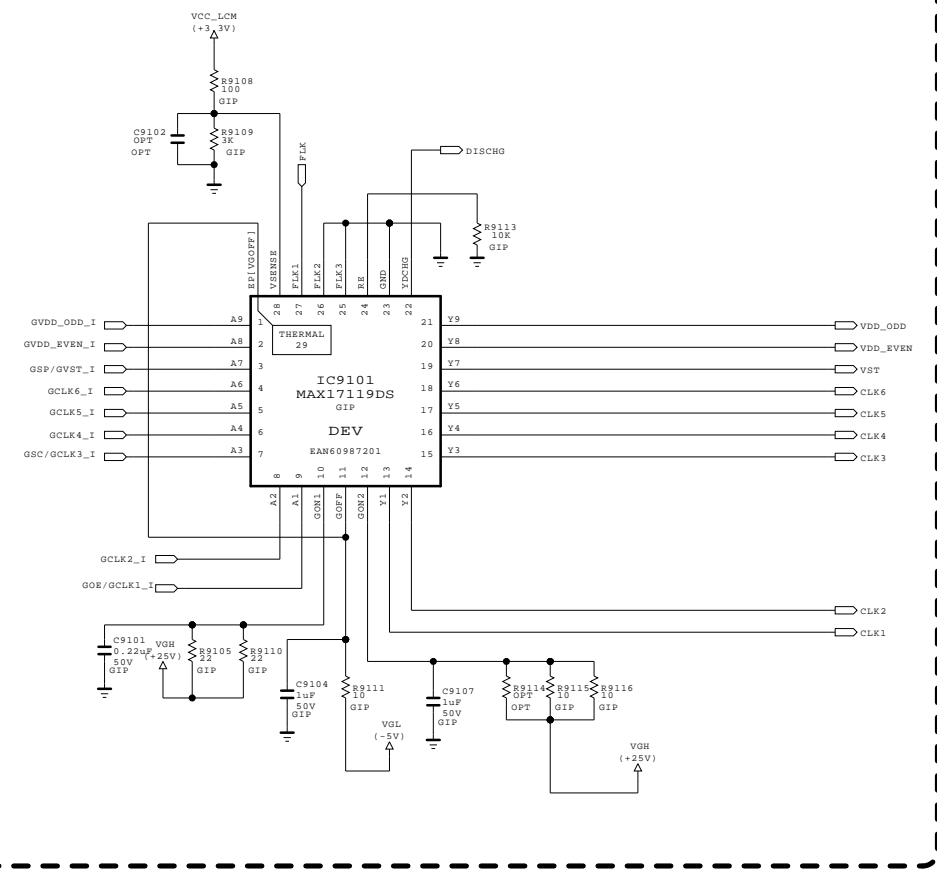
THE SYMBOL MARK OF THIS SCHEMATIC DIAGRAM INCORPORATES SPECIAL FEATURES IMPORTANT FOR PROTECTION FROM X-RADIATION. FILRE AND ELECTRICAL SHOCK HAZARDS, WHEN SERVICING IF IS ESSENTIAL THAT ONLY MANUFACTURES SPECIFIED PARTS BE USED FOR THE CRITICAL COMPONENTS IN THE SYMBOL MARK OF THE SCHEMATIC.

**SECRET**  
LGElectronics



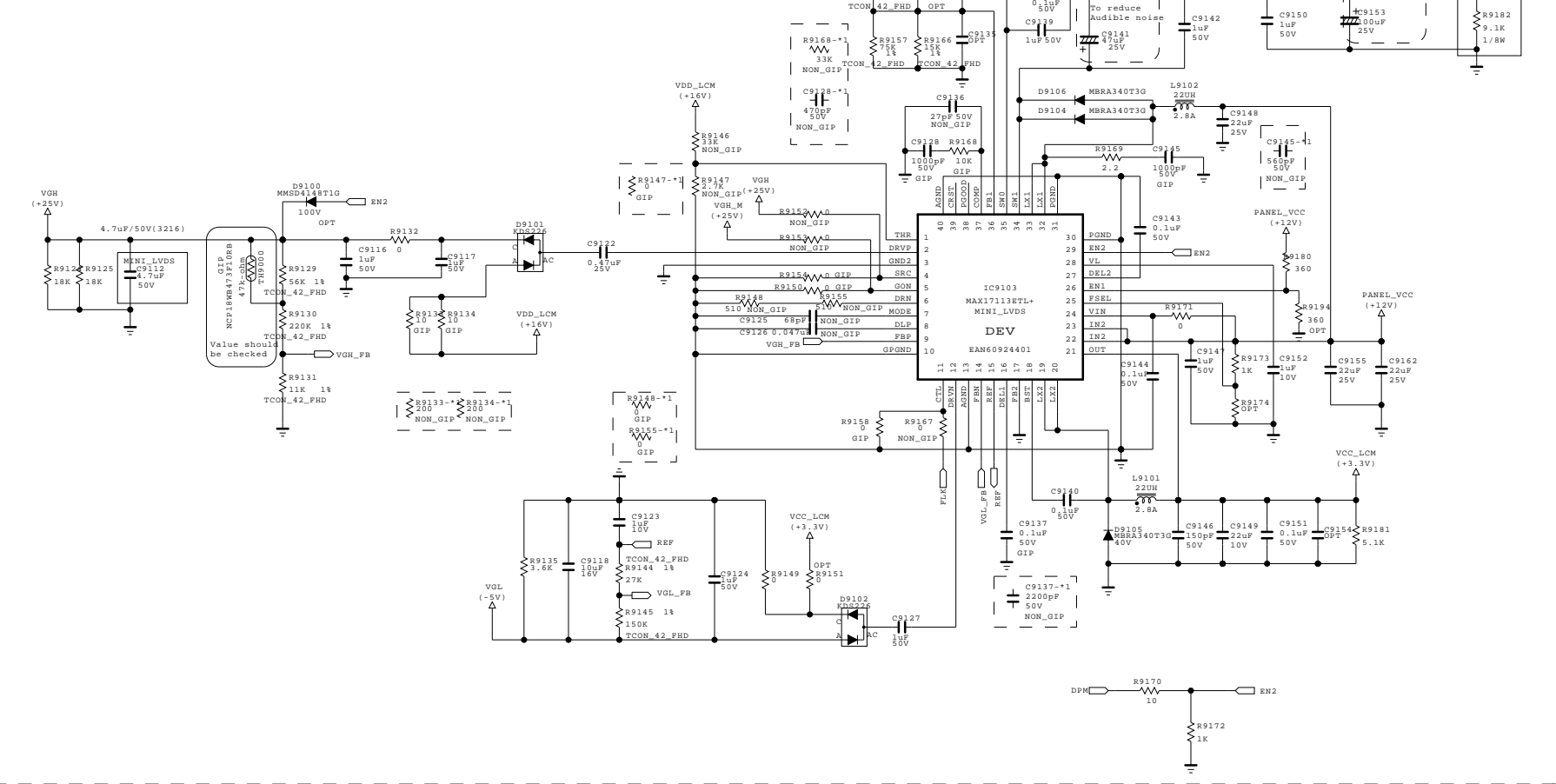
MODEL	COMMON	DATE	2009.09.11
BLOCK	URSA3 (NO L.D.)	SHEET	90

[LEVEL Shift Block]



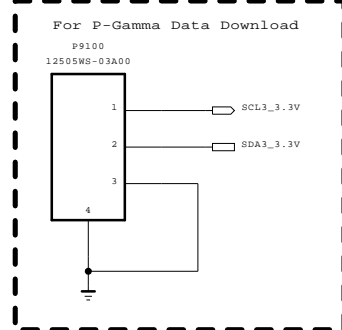
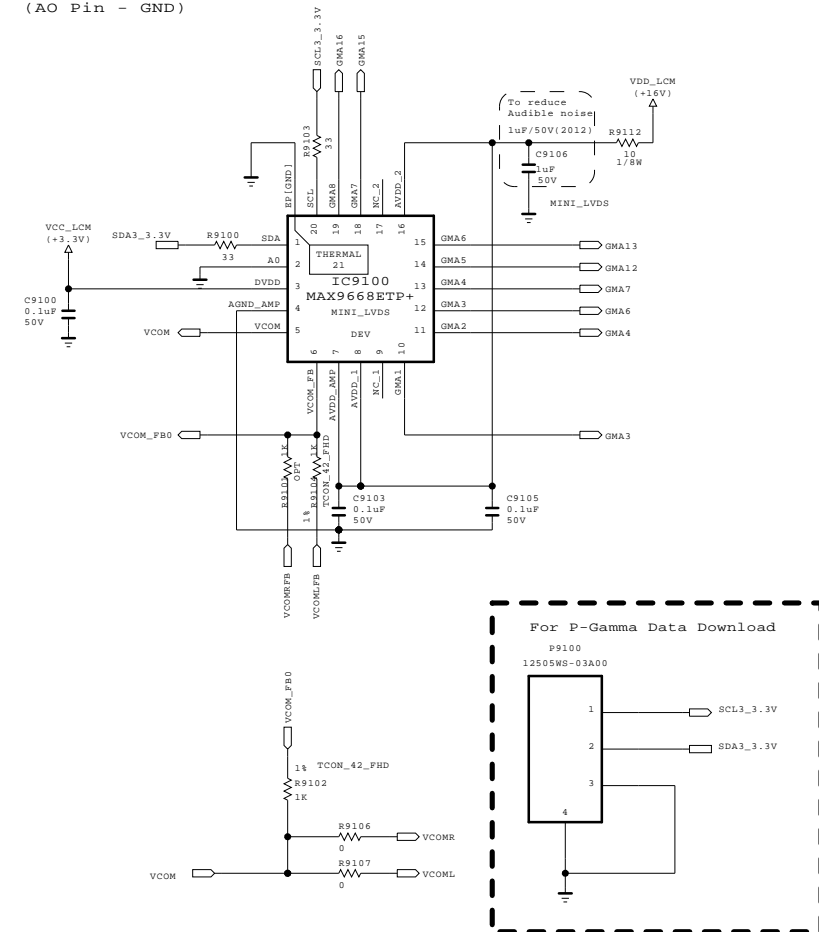
[POWER Block]

\* Voltage Target  
 VDD\_LCM = 16.25V  
 VGH = 28.50V  
 VGL = -5.35V

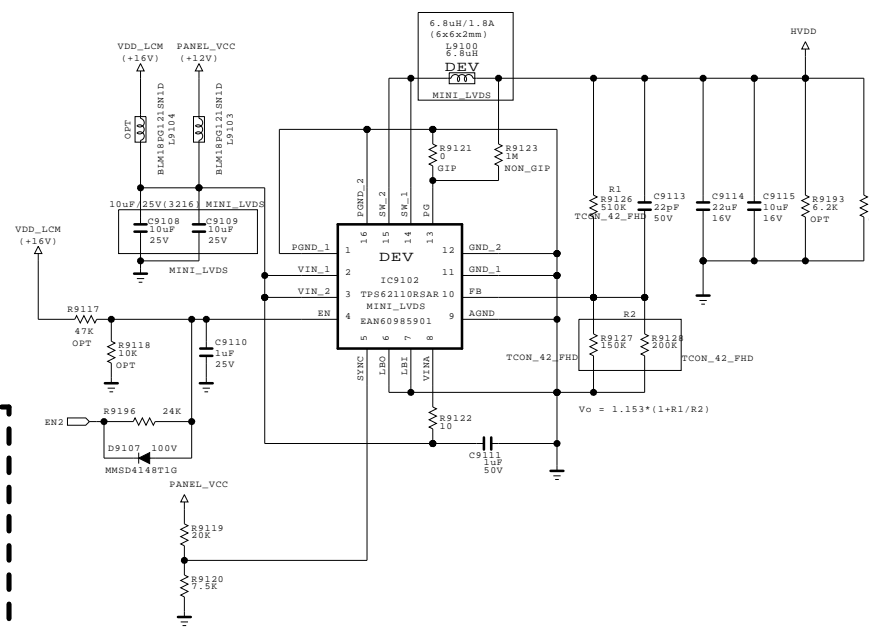


[P-GAMMA Block]

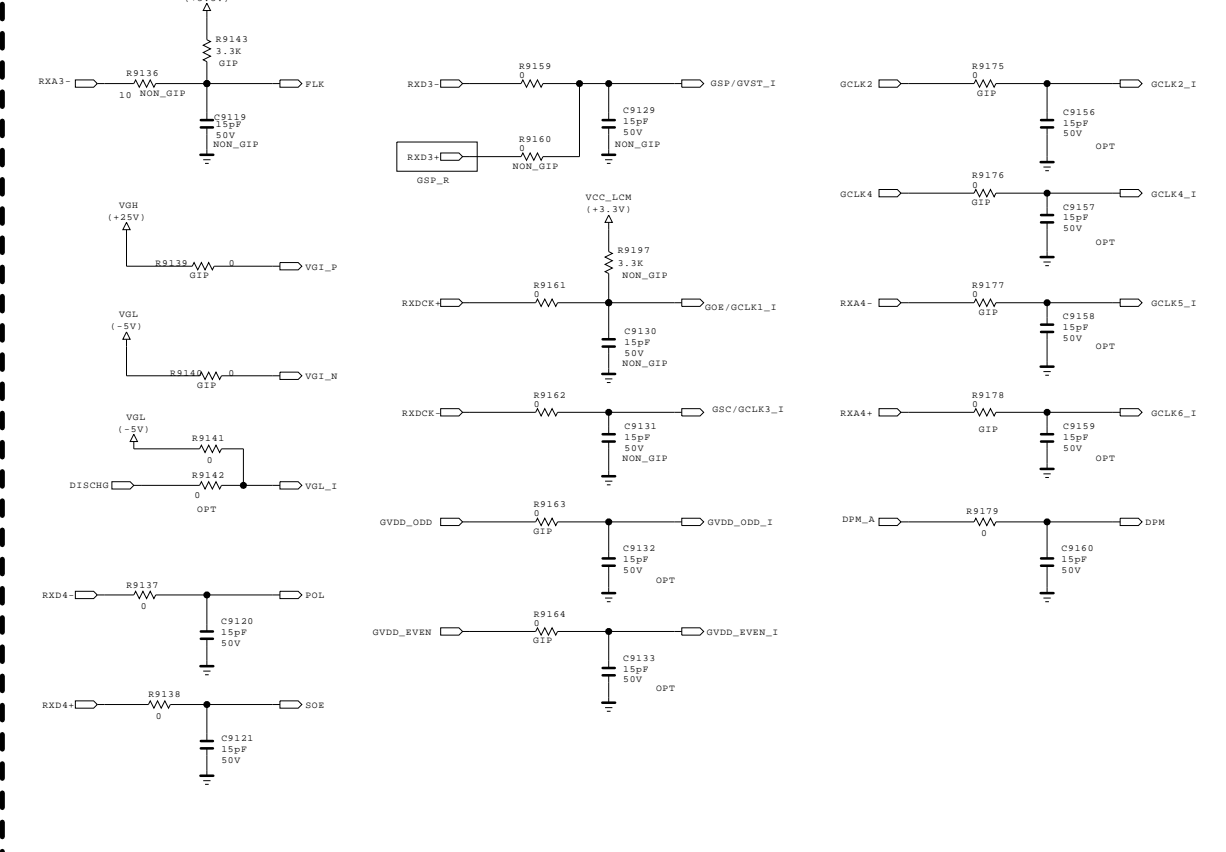
Slave Address : 0xE8h  
 (AO Pin - GND)



[HVDD Block]



(Signal Name Change)

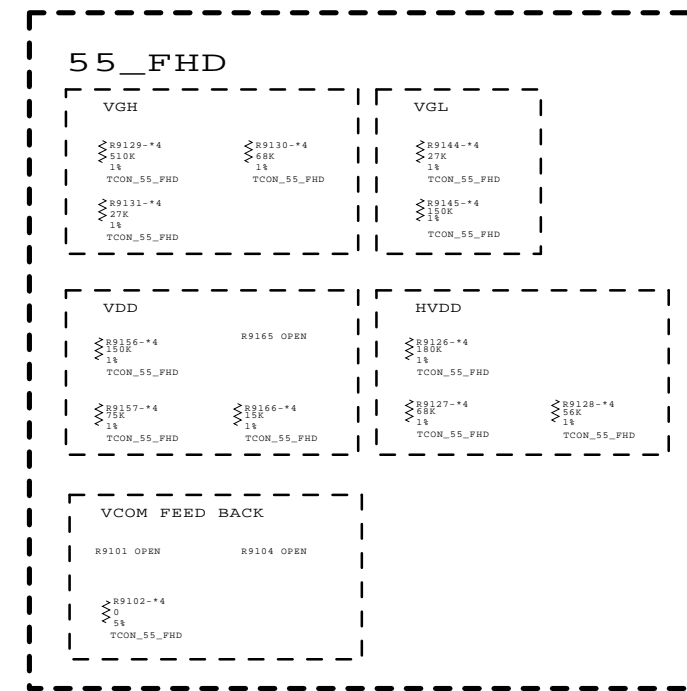
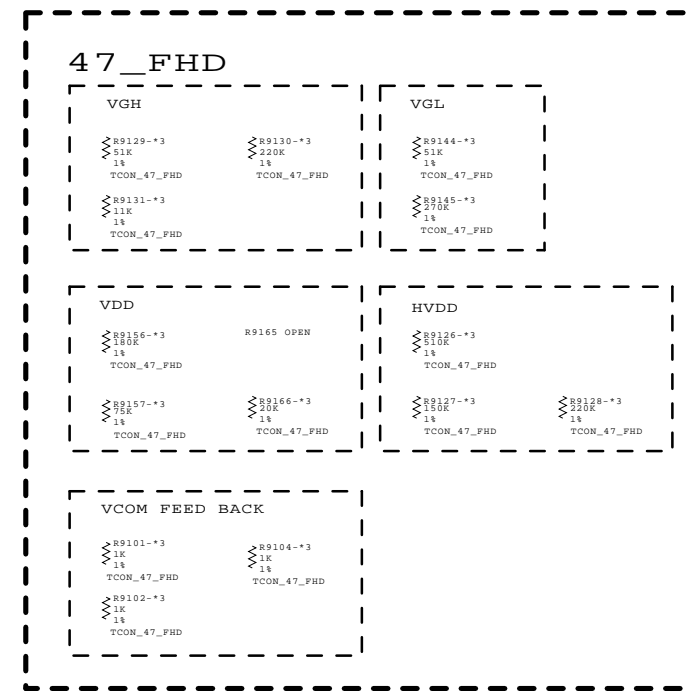
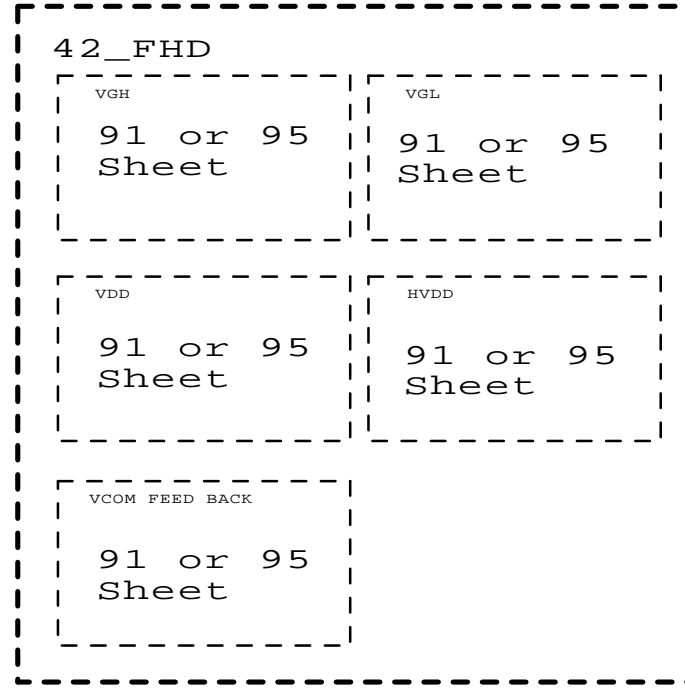
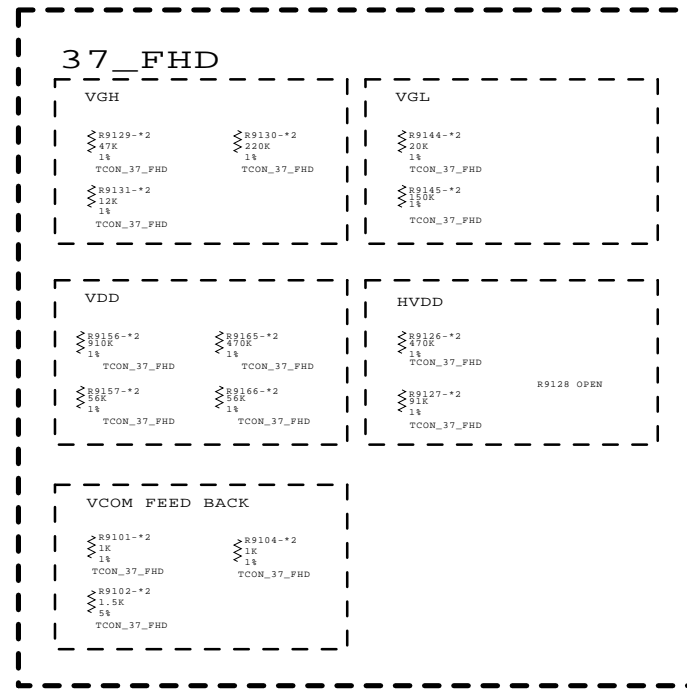
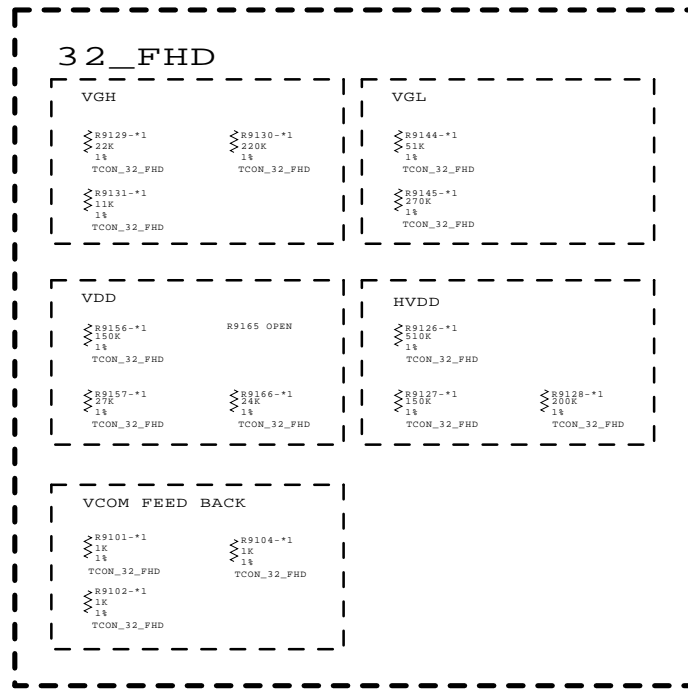


THE  $\Delta$  SYMBOL MARK OF THIS SCHEMATIC DIAGRAM INCORPORATES SPECIAL FEATURES IMPORTANT FOR PROTECTION FROM X-RADIATION. FILRE AND ELECTRICAL SHOCK HAZARDS, WHEN SERVICING IF IS ESSENTIAL THAT ONLY MANUFACTURES SPECIFIED PARTS BE USED FOR THE CRITICAL COMPONENTS IN THE  $\Delta$  SYMBOL MARK OF THE SCHEMATIC.

SECRET  
 LGElectronics



MODEL	COMMON	DATE	09/09/10
BLOCK	T-Con (NO L.D.)	SHEET	91



THE SYMBOL MARK OF THIS SCHEMATIC DIAGRAM INCORPORATES SPECIAL FEATURES IMPORTANT FOR PROTECTION FROM X-RADIATION. FILRE AND ELECTRICAL SHOCK HAZARDS, WHEN SERVICING IF IS ESSENTIAL THAT ONLY MANUFACTURES SPECIFIED PARTS BE USED FOR THE CRITICAL COMPONENTS IN THE SYMBOL MARK OF THE SCHEMATIC.

SECRET  
LGElectronics



MODEL	Common	DATE	09/12/15
BLOCK	T-Con Power Option	SHEET	98 /

