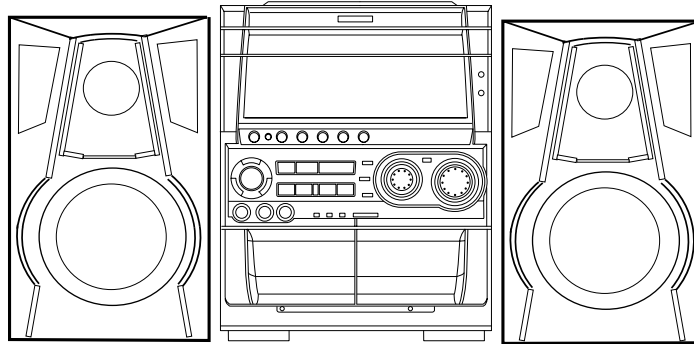




NSX-AJ70 U

NSX-SZ70 HR,HS

NSX-SZ70E HA



SERVICE MANUAL

COMPACT DISC STEREO
CASSETTE RECEIVER

BASIC TAPE MECHANISM: 2ZM-3MK2 PR4NM
BASIC CD MECHANISM: AZG-1 ZD3RDM

SYSTEM	CD-CASSEIVER	SPEAKER	REMOTE CONTROLLER
NSX-AJ70	CX-NAJ70	SX-WNAJ70	RC-ZAS01
NSX-SZ70	CX-NSZ70	SX-WNSZ70	
NSX-SZ70E	CX-NSZ70E	SX-WNSZ70	

- This Service Manual is the "Revision Publishing" and replace the "Simple Manual" NSX-AJ70<U> (S/M Code No. 09-001-425-3T1) NSX-SZ70/SZ70E<HR, HA> (S/M Code No. 09-001-425-3T2) and NSX-SZ70<HS> (S/M Code No. 09-002-425-3T3).
- If requiring information about the CD mechanism, see Service Manual of AZG-1 (S/M Code No. 09-001-335-3N8).

aiwa

S/M Code No. 09-005-425-3R2

REVISION

DATA

SPECIFICATIONS

<FM Tuner section>

Tuning range 87.5 MHz to 108 MHz
Usable sensitivity(IHF) 13.2 dBf
Antenna terminals 75 ohms (unbalanced)

<AM Tuner section>

Tuning range 530 kHz to 1710 kHz (10 kHz step)
 531 kHz to 1602 kHz (9 kHz step)
Usable sensitivity 350 uV/m
Antenna Loop antenna

<Amplifier section>

Mid-high frequency amplifier<HA,HR,HS>

Power output Rated: 32 W + 32 W
 (8 ohms, T.H.D. 1 %,1 kHz)
 Reference: 40 W + 40 W
 (8 ohms, T.H.D. 10 %,1 kHz)
Total harmonic distortion 0.1 % (15 W, 1 kHz, 8 ohms,
 DIN AUDIO)

Mid-high frequency amplifier<U>

Power output 25 W + 25 W (200 Hz -20 kHz, THD
 less than 1 %, 8 ohms)
Total harmonic distortion 0.1 % (10 W, 1 kHz, 8 ohms, DIN
 AUDIO)

Low frequency amplifier<HA,HR,HS>

Power output Rated: 96 W + 96 W
 (6 ohms, T.H.D. 1 %, 135 Hz)<HA>
 (6 ohms, T.H.D. 1 %, 130 Hz)<HR,HS>
 Reference: 120 W + 120 W
 (6 ohms, T.H.D. 10 %,135 Hz)<HA>
 (6 ohms, T.H.D. 10 %,130 Hz)<HR,HS>
Total harmonic distortion 0.1 % (45 W,135 Hz,6 ohms,DIN
 AUDIO)<HA>
 0.1 % (45 W,130 Hz,6 ohms,DIN
 AUDIO)<HR,HS>

Low frequency amplifier<U>

Power output 75 W + 75 W (50 Hz -200 Hz, THD
 less than 1 %, 6 ohms)
Total harmonic distortion 0.1 % (35 W, 135 Hz, 6 ohms, DIN
 AUDIO)

Inputs

VIDEO/AUX : 316 mV (adjustable)
 MD: 316 mV (adjustable)
 MIC: 1.8 mV (10 kohms)<U,HA>
 MIC1,MIC2: 1.0 mV (10 kohms)<HR,HS>

Outputs

SPEAKERS HIGH FREQ :
 accept speakers of 8 ohms or more
SPEAKERS LOW FREQ :
 accept speakers of 6 ohms or more
SURROUND SPEAKERS :
 accept speakers of 8 to 16 ohms
LINE OUT: 210 mV
PHONES (stereo jack) : accepts
 headphones of 32 ohms or more

<Cassette deck section>

Track format 4 tracks, 2 channels stereo
Frequency response CrO2 tape: 50 Hz – 16000 Hz
 Normal tape: 50 Hz – 15000 Hz
Recording system AC bias
Heads Deck 1: Playback head x 1
 Deck 2: Recording/Playback head
 x 1, erase head x 1

<Compact disc player section>

Laser Semiconductor laser ($\lambda = 780 \text{ nm}$)
D-A converter 1 bit dual
Signal-to-noise ratio 85 dB (1 kHz, 0 dB)
Harmonic distortion 0.05 % (1 kHz, 0 dB)
Wow and flutter Unmeasurable

<Speaker system SX-WNSZ70/WNAJ70>

Speaker system 3 way, Built-in subwoofer(magnetic
 shielded type)
Speaker units Subwoofer :
 160 mm (6 ³/₈ in.) cone type
 Full range:
 100 mm (4 in.) cone type
 Super Tweeter :
 20 mm (¹³/₁₆ in.) ceramic type
Impedance 6 ohms / 8 ohms
Sensitivity 87 dB/W/m
Dimensions (W x H x D) 240 x 324 x 281 mm
 (9 ¹/₂ x 12 ⁷/₈ x 11 ¹/₄ in.)
Weight 5.0 kg (11 lbs)<U,HA>, 5.2 kg<HR,HS>

<General>

Power requirements 120 V AC, 60 Hz<U>
 120 V/220-230 V/240 V AC
 switchable, 50/60Hz<HA,HR>
 220 V AC, 50/60 Hz<HS>
 135 W<U>, 200W<HA,HR,HS>
Power consumption
**Power consumption in
 standby mode** If the power-economizing mode is
 ECO OFF: 21W<HA>,22 W<U>,
 26 W<HR,HS>
 If the power-economizing mode is
 ECO ON or ECO AUTO: 0.9 W
Dimensions (W x H x D) 260 x 330 x 360 mm
 (10 ¹/₄ x 13 x 14 ¹/₄ in.)<U>
 260 x 330 x 395 mm<HA,HR>
Weight 8.4 kg (18 lbs 8 oz.)<U>,
 9.5 kg<HA,HR,HS>

- Design and specifications are subject to change without notice.
- The word "BBE"and the "BBE symbol" are trademarks of BBE Sound, Inc.
 Under license from BBE Sound,Inc.

ACCESSORIES / PACKAGE LIST

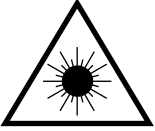
REF. NO.	PART NO.	KANRI NO.	DESCRIPTION
1	8A-NF7-901-010		IB,H(ECA)M<HR>
1	8A-NF7-902-010		IB,LH(ESP)M<HA>
1	8A-NF7-913-010		IB,U(ESF)I<U>
2	87-006-225-010		AM LOOP ANT NC2<U,HA,HS>
3	87-006-226-010		AM LOOPANT C0<HR>
4	87-043-115-010		ANT,FEEDER FM
5	87-A91-017-010		PLUG,CONVERSION JT-0476<U,HR,HS>
6	8Z-NF8-702-010		RC UNIT,RC-ZAS01

PROTECTION OF EYES FROM LASER BEAM DURING SERVICING

This set employs laser. Therefore, be sure to follow carefully the instructions below when servicing.

WARNING!!

WHEN SERVICING, DO NOT APPROACH THE LASER EXIT WITH THE EYE TOO CLOSELY. IN CASE IT IS NECESSARY TO CONFIRM LASER BEAM EMISSION. BE SURE TO OBSERVE FROM A DISTANCE OF MORE THAN 30cm FROM THE SURFACE OF THE OBJECTIVE LENS ON THE OPTICAL PICK-UP BLOCK.



- Caution: Invisible laser radiation when open and interlocks defeated avoid exposure to beam.
- Advarsel: Usynlig laserstråling ved åbning, når sikkerhedsafbrydere er ude af funktion. Undgå udsættelse for stråling.

VAROITUS!

Laitteen Käyttäminen muulla kuin tässä käyttöohjeessa mainitulla tavalla saattaa altistaa käytt-täjän turvallisuusluokan 1 ylittävälle näkymättömälle lasersäteilylle.

WARNING!

Om apparaten används på annat sätt än vad som specificeras i denna bruksanvisning, kan användaren utsättas för osynlig laserstrålning, som överskrider gränsen för laserklass 1.

CAUTION

Use of controls or adjustments or performance of procedures other than those specified herein may result in hazardous radiation exposure.

ATTENTION

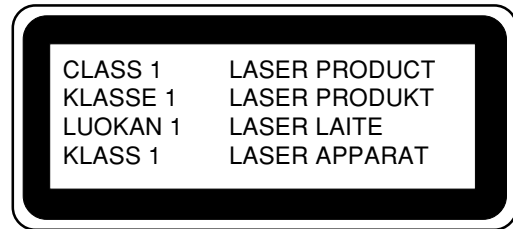
L'utilisation de commandes, réglages ou procédures autres que ceux spécifiés peut entraîner une dangereuse exposition aux radiations.

ADVARSEL

Usynlig laserstråling ved åbning, når sikkerhedsafbrydere er ude af funktion. Undgå udsættelse for stråling.

This Compact Disc player is classified as a CLASS 1 LASER product.

The CLASS 1 LASER PRODUCT label is located on the rear exterior.

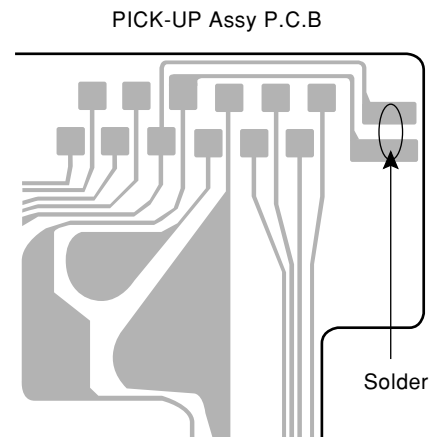


Precaution to replace Optical block

(KSS-213F)

Body or clothes electrostatic potential could ruin laser diode in the optical block. Be sure ground body and workbench, and use care the clothes do not touch the diode.

- 1) After the connection, remove solder shown in right figure.



NOTE ON BEFORE STARTING REPAIR

1. Forced discharge of electrolytic capacitor of power supply block

When repair is going to be attempted in the set that uses relay circuit in the power supply block, electric potential is kept charged across the electrolytic capacitors (C101, 102) even though AC power cord is removed. If repair is attempted in this condition, secondary defect can occur.

In order to prevent the secondary trouble, perform the following measures before starting repair work.

Discharge procedure

- ① Remove the AC power cord.
- ② Connect a discharging resistor at an end of lead wire that has clips at both ends. Connect the other end of the lead wire to metal chassis.
- ③ Contact the other end of the discharging resistor to the positive (+) side (+VH) of C101. (For two seconds)
- ④ Contact the same end of the discharging resistor as step ③ to the negative (-) side (-VH) of C102 in the same way. (For two seconds)
- ⑤ Check that voltage across C101 and C102 has decreased to 1 V or less using a multimeter or an oscilloscope.

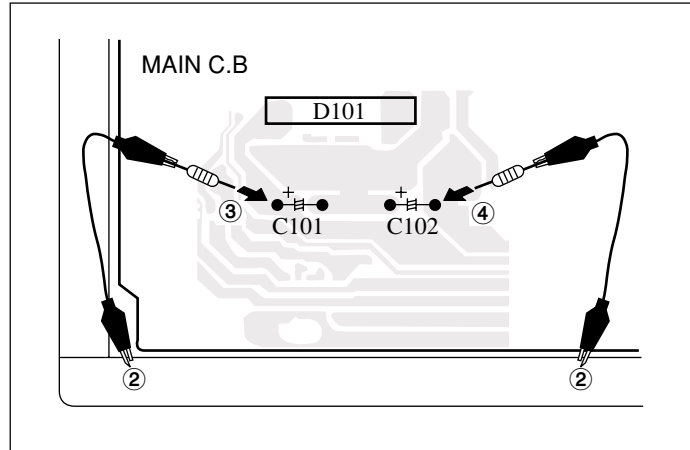


Fig-1

Select a discharging resistor referring to the following table.

Charging voltage (V) (C101, 102)	Discharging resistor (Ω)	Rated power (W)	Parts number
25-48	100	3	87-A00-247-090
49-140	220	5	87-A00-232-090

Note: The reference numbers (C101, C102) of the electrolytic capacitors can change depending on the models. Be sure to check the reference numbers of the charging capacitors on schematic diagram before starting the discharging work.

2. Check items before exchanging the MICROCOMPUTER

Be sure to check the following items before exchanging the MICROCOMPUTER. Exchange the MICROCOMPUTER after confirming that the MICROCOMPUTER is surely defective.

2-1. Regarding the HOLD terminal of the MICROCOMPUTER

When the HOLD terminal (INPUT) of the MICROCOMPUTER is "H", the MICROCOMPUTER is judged to be operating correctly. When this terminal is "L", the main power cannot be turned on. Therefore, be sure to check the terminal voltage of the HOLD terminal before exchange.

When the MICROCOMPUTER is not defective, the HOLD terminal can also go "L" when the POWER AMPLIFIER has any abnormalities that triggers the abnormality detection circuit on the MAIN C. B. that sets the HOLD terminal to "L".

- Good or no good judgement of the MICROCOMPUTER

- ① Turn on the AC main power.
- ② Confirm that the main power is turned on and the HOLD terminal of the MICROCOMPUTER keeps the "H" level or not.
- ③ When the HOLD terminal is "L" level, the abnormality detection circuit is judged to be working correctly and the MICROCOMPUTER is judged to be good.

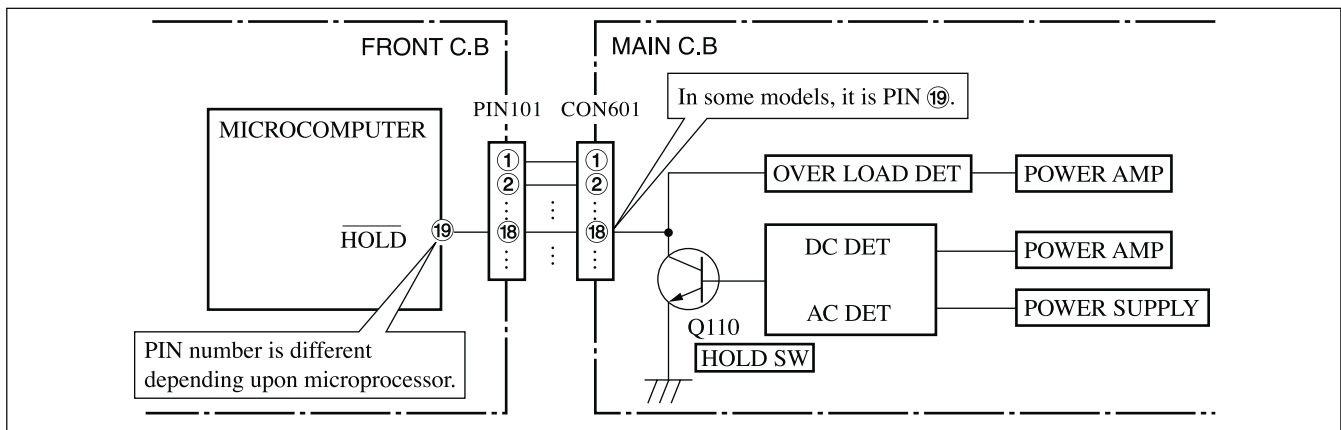


Fig-2-1

In such a case, check also if the POWER AMPLIFIER circuit or power supply circuit has any abnormalities or not.

2-2. Regarding reset

There are cases that the machine does not work correctly because the MICROCOMPUTER is not reset even though the AC power cord is re-inserted, or the software reset (pressing the STOP key + POWER key) is performed.

When the above described phenomenon occurs, it can lead to wrong judgement as if the MICROCOMPUTER is defective and to exchange the MICROCOMPUTER. In such a case, perform the forced-reset by the following procedure and check good or no good of the MICROCOMPUTER.

- ① Remove the AC power cord.

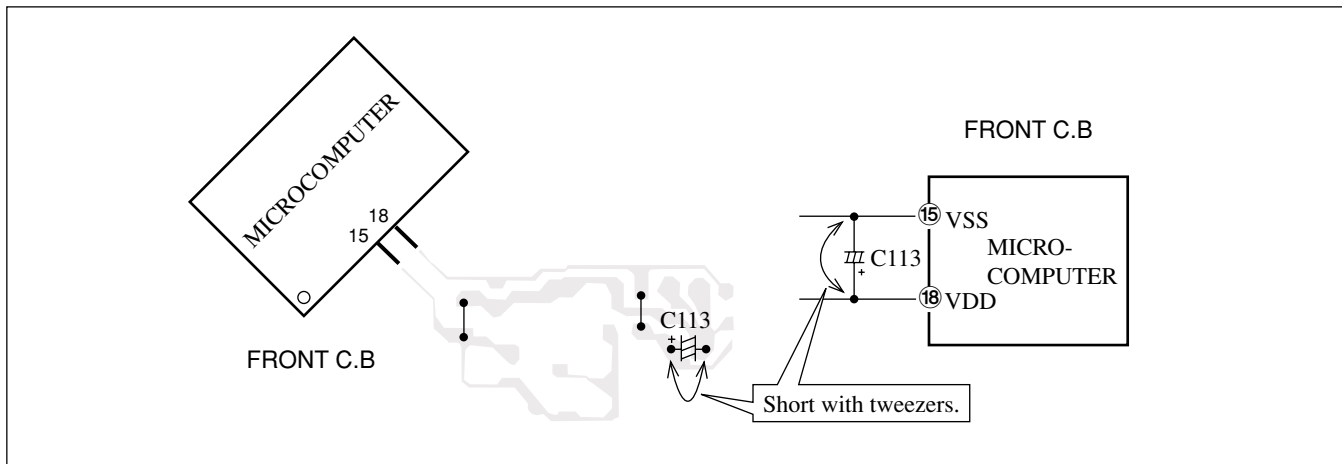


Fig-2-2

- ② Short both ends of the electrolytic capacitor C113 that is connected to VDD of the MICROCOMPUTER with tweezers.
- ③ Connect the AC power cord again. If the MICROCOMPUTER returns to the normal operation, the MICROCOMPUTER is good.

Note: The reference number or MICROCOMPUTER pin number of transistor (Q110) and electrolytic capacitor (C113) can change depending on the models. Be sure to check the reference numbers on schematic diagram before starting the discharging work.

2-3. Confirmation of soldering state of MICROCOMPUTER

Check the soldering state of the MICROCOMPUTER in addition to the above described procedures. Be sure to exchange the MICROCOMPUTER after surely confirming that the trouble is not caused by poor soldering but the MICROCOMPUTER itself.

ELETRICAL MAIN PARTS LIST

REF. NO.	PART NO.	KANRI NO.	DESCRIPTION	REF. NO.	PART NO.	KANRI NO.	DESCRIPTION
IC							
	8A-NF6-610-030		C-IC, LC876564V-5P35	C22	87-016-658-000		CAP, E 4700-35 M SMG
	87-A21-018-040		C-IC, M65849BFP631D<HR>	C25	87-010-406-080		CAP, ELECT 22-25V<U>
	87-A21-418-010		IC, STK490-340<EXCEPT U>	C25	87-010-405-080		CAP, E 10-50 M 11L SME<HA, HR, HS>
	87-A21-397-010		IC, STK490-070<EXCEPT U>	C26	87-010-406-080		CAP, ELECT 22-50V
	87-A21-398-010		IC, STK490-110<U>	C27	87-010-405-080		CAP, ELECT 10-25V<HS>
	87-A21-396-010		IC, STK490-040<U>	C27	87-010-406-080		CAP, ELECT 22-50V<U, HA, HR>
	87-A21-482-010		IC, RPM6938-H4	C28	87-010-406-080		CAP, ELECT 10-50V
	87-A20-783-040		C-IC, BA7762AFS	C31	87-010-263-080		CAP, ELECT 100-10V
	87-A21-577-040		C-IC, M61506FP	C32	87-010-197-080		CAP, CHIP 0.01 DM
	87-A21-021-040		C-IC, BU2099FV	C33	87-010-263-080		CAP, ELECT 100-10V
	87-070-289-040		IC, BU 2092F	C34	87-010-384-080		CAP, ELECT 100-25V
	87-A21-452-040		C-IC, BD3876KS2	C35	87-010-406-080		CAP, ELECT 22-50V
	87-A21-051-040		C-IC, BU9990-03FS	C36	87-010-381-080		CAP, ELECT 330-16V
	87-A21-560-010		IC, LA1844L-A<HS>	C38	87-010-394-080		CAP, ELECT 220-35V
	87-A21-415-010		IC, LA1843<EXCEPT HS>	C39	87-010-394-080		CAP, ELECT 220-35V
	87-070-127-110		IC, LC72131 D	C40	87-010-197-080		CAP, CHIP 0.01 DM
	87-020-454-010		IC, DN6851	C60	87-010-403-080		CAP, ELECT 3.3-50V
				C80	87-010-401-080		CAP, ELECT 1-50V<HA, HR>
				C81	87-010-263-080		CAP, ELECT 100-10V<HA, HR>
				C81	87-010-260-080		CAP, ELECT 47-25V<HS>
TRANSISTOR							
	87-026-245-080		TR, DTC114ES	C82	87-010-380-080		CAP, ELECT 47-16V<HA, HR>
	87-026-609-080		TR, KTA1266GR	C104	87-010-196-080		CHIP CAPACITOR, 0.1-25
	87-A30-198-080		TR, KTC3199GR	C105	87-010-196-080		CHIP CAPACITOR, 0.1-25
	87-026-610-080		TR, KTC3198GR	C111	87-010-545-080		CAP, ELECT 0.22-50V
	87-A30-076-080		C-TR, 2SC3052F	C112	87-010-545-080		CAP, ELECT 0.22-50V
	87-A30-075-080		C-TR, 2SA1235F	C113	87-010-545-080		CAP, ELECT 0.22-50V
	87-A30-318-080		TR, CSA952K	C114	87-010-545-080		CAP, ELECT 0.22-50V
	89-213-702-010		TR, 2SB1370 (1.8W)	C115	87-010-546-080		CAP, ELECT 0.33-50V
	87-A30-087-080		C-FET, 2SK2158	C116	87-010-546-080		CAP, ELECT 0.33-50V
	87-A30-107-070		C-TR, CMBT5401	C121	87-010-545-080		CAP, ELECT 0.22-50V
	87-A30-073-080		C-TR, RT1N 141C	C122	87-010-545-080		CAP, ELECT 0.22-50V
	87-A30-074-080		C-TR, RT1P 141C	C171	87-012-368-080		C-CAP, S 0.1-50 F
	87-A30-269-040		C-FET, 2SJ461-T1	C172	87-012-368-080		C-CAP, S 0.1-50 F
	87-A30-106-070		C-TR, CMBT5551	C173	87-012-368-080		C-CAP, S 0.1-50 F
	87-A30-105-080		C-TR, RT1P 441C	C174	87-012-368-080		C-CAP, S 0.1-50 F
	87-A30-086-040		C-TR, CSD1306E	C301	87-010-318-080		C-CAP, S 47P-50 CH
	87-A30-329-080		TR, CD1585BC	C302	87-010-318-080		C-CAP, S 47P-50 CH
	89-327-143-080		TR, 2SC2714 (0.1W)	C303	87-012-157-080		C-CAP, S 330P-50 CH
	87-A30-072-080		C-TR, RT1P 144C	C304	87-012-157-080		C-CAP, S 330P-50 CH
	87-A30-234-080		TR, CSC4115BC	C305	87-012-157-080		C-CAP, S 330P-50 CH
	89-503-602-080		C-FET, 2SK360E<HR>	C306	87-012-157-080		C-CAP, S 330P-50 CH
	87-026-463-080		TR, 2SA933SRS	C307	87-010-196-080		CHIP CAPACITOR, 0.1-25
				C309	87-010-196-080		CHIP CAPACITOR, 0.1-25
				C310	87-010-196-080		CHIP CAPACITOR, 0.1-25
				C311	87-010-198-080		CAP, CHIP 0.022
DIODE							
	87-A40-548-090		DIODE, D3SBA20	C312	87-010-198-080		CAP, CHIP 0.022
	87-017-654-060		DIODE, GBU6J	C313	87-010-179-080		CAP, CHIP S B1200P
	87-A40-547-090		DIODE, D5SBA20	C314	87-010-179-080		CAP, CHIP S B1200P
	87-020-465-080		DIODE, 1SS133	C315	87-010-179-080		CAP, CHIP S B1200P
	87-A40-553-080		DIODE, 1N4003 LES	C316	87-010-179-080		CAP, CHIP S B1200P
	87-A40-781-080		ZENER, UZ36BSA	C321	87-012-142-080		CAP, S 0.33-16
	87-A40-764-080		ZENER, UZ10BSC	C322	87-012-142-080		CAP, S 0.33-16
	87-A40-313-080		C-DIODE, MC 2840	C324	87-010-260-080		CAP, ELECT 47-25V
	87-A40-270-080		C-DIODE, MC2838	C325	87-010-370-080		CAP, E 330-6.3 SME
	87-A40-269-080		C-DIODE, MC2836	C327	87-010-404-080		CAP, ELECT 4.7-50V
	87-A40-768-080		ZENER, UZ16BSA	C328	87-010-404-080		CAP, ELECT 4.7-50V
	87-A40-752-080		ZENER, UZ6.2BSC	C332	87-010-196-080		CHIP CAPACITOR, 0.1-25
	87-A40-802-080		ZENER, UZ5.1BSC	C335	87-010-401-080		CAP, ELECT 1-50V
	87-017-978-080		DIODE, 1N4003	C336	87-010-401-080		CAP, ELECT 1-50V
	87-A40-745-080		ZENER, UZ4.7BSA	C337	87-010-196-080		CHIP CAPACITOR, 0.1-25
	87-A40-748-080		ZENER, UZ5.6BSA	C339	87-010-196-080		CHIP CAPACITOR, 0.1-25
	87-017-149-080		ZENER, HZS6A2L	C340	87-010-196-080		CHIP CAPACITOR, 0.1-25
	87-A40-618-080		VARI-CAP, SVC348 (S/T) <HR>	C351	87-012-140-080		CAP 470P
				C352	87-012-140-080		CAP 470P
				C354	87-010-175-080		CAP 560P
MAIN C.B							
C3	87-012-368-080		C-CAP, S 0.1-50 F	C355	87-010-178-080		CHIP CAP 1000P
C4	87-012-368-080		C-CAP, S 0.1-50 F	C356	87-010-260-080		CAP, ELECT 47-25V
C21	87-016-658-000		CAP, E 4700-35 M SMG	C357	87-010-197-080		CAP, CHIP 0.01 DM
				C358	87-010-183-080		C-CAP, S 2700P-50 B
				C359	87-010-183-080		C-CAP, S 2700P-50 B

REF. NO.	PART NO.	KANRI NO.	DESCRIPTION	REF. NO.	PART NO.	KANRI NO.	DESCRIPTION
C360	87-010-183-080		C-CAP,S 2700P-50 B	C638	87-A10-307-080		CAP,M 0.1-50 J
C363	87-A10-292-080		CAP,M 5600P-50 J	C639	87-010-405-080		CAP, ELECT 10-50V
C370	87-010-196-080		CHIP CAPACITOR,0.1-25	C641	87-010-401-080		CAP, ELECT 1-50V
C373	87-016-083-080		C-CAP,S 0.15-16 RK	C642	87-010-401-080		CAP, ELECT 1-50V
C374	87-016-083-080		C-CAP,S 0.15-16 RK	C643	87-010-196-080		CHIP CAPACITOR,0.1-25
C378	87-010-196-080		CHIP CAPACITOR,0.1-25	C644	87-010-401-080		CAP, ELECT 1-50V
C379	87-010-382-080		CAP, ELECT 22-25V	C671	87-010-322-080		C-CAP,S 100P-50 CH
C380	87-010-382-080		CAP, ELECT 22-25V	C672	87-010-322-080		C-CAP,S 100P-50 CH
C381	87-010-197-080		CAP, CHIP 0.01 DM	C673	87-010-197-080		CAP, CHIP 0.01 DM
C382	87-010-312-080		C-CAP,S 15P-50 CH	C679	87-010-196-080		CHIP CAPACITOR,0.1-25
C383	87-010-197-080		CAP, CHIP 0.01 DM	C680	87-010-197-080		CAP, CHIP 0.01 DM
C384	87-010-402-080		CAP, ELECT 2.2-50V	C682	87-010-196-080		CHIP CAPACITOR,0.1-25
C386	87-010-196-080		CHIP CAPACITOR,0.1-25	C771	87-010-263-080		CAP, ELECT 100-10V
C387	87-012-145-080		CAP, CHIP S 270P CH	C772	87-010-197-080		CAP, CHIP 0.01 DM
C388	87-012-156-080		C-CAP,S 220P-50 CH	C773	87-010-184-080		CHIP CAPACITOR 3300P(K)<U,HS>
C391	87-010-319-080		C-CAP,S 56P-50 CH	C774	87-010-184-080		CHIP CAPACITOR 3300P(K)<U,HS>
C392	87-010-319-080		C-CAP,S 56P-50 CH	C779	87-010-426-080		C-CAP,S 0.012-25 K B<U,HA,HS>
C393	87-010-319-080		C-CAP,S 56P-50 CH	C779	87-010-182-080		C-CAP,S 2200P-50 K B C2012<HR>
C394	87-010-319-080		C-CAP,S 56P-50 CH	C780	87-010-426-080		C-CAP,S 0.012-25 K B<U,HA,HS>
C501	87-010-263-080		CAP,E 100-10 M 11L SME<HR,HS>	C780	87-010-182-080		C-CAP,S 2200P-50 K B C2012<HR>
C502	87-010-196-080		C-CAP,S 0.1-25 Z F C2012<HR,HS>	C782	87-010-197-080		CAP, CHIP 0.01 DM
C503	87-012-393-080		C-CAP,S 0.22-16 K W5R CM/CB<HR,HS>	C783	87-010-197-080		CAP, CHIP 0.01 DM
C504	87-012-393-080		C-CAP,S 0.22-16 K W5R CM/CB<HR,HS>	C784	87-010-197-080		CAP, CHIP 0.01 DM
C505	87-012-393-080		C-CAP,S 0.22-16 K W5R CM/CB<HR,HS>	C785	87-010-197-080		CAP, CHIP 0.01 DM
C506	87-010-184-080		C-CAP,S 3300P-50 K B C2012<HR,HS>	C786	87-010-197-080		CAP, CHIP 0.01 DM
C507	87-010-177-080		C-CAP,S 820P-50 J SL C2012<HR,HS>	C788	87-010-149-080		C-CAP,S 5P-50 CH
C508	87-016-081-080		C-CAP,S 0.1-16 K R GRM<HR>	C789	87-A10-592-080		C-CAP,S 0.015-50 J B
C509	87-016-081-080		C-CAP,S 0.1-16 K R GRM<HR>	C790	87-A10-592-080		C-CAP,S 0.015-50 J B
C510	87-010-184-080		C-CAP,S 3300P-50 K B C2012<HR,HS>	C791	87-010-196-080		CHIP CAPACITOR,0.1-25
C511	87-010-177-080		C-CAP,S 820P-50 J SL C2012<HR,HS>	C792	87-010-197-080		CAP, CHIP 0.01 DM
C512	87-012-393-080		C-CAP,S 0.22-16 K W5R CM/CB<HR,HS>	C793	87-010-404-080		CAP, ELECT 4.7-50V
C513	87-010-544-080		CAP,E 0.1-50 M 11L SME<HR,HS>	C795	87-010-197-080		CAP, CHIP 0.01 DM
C514	87-010-374-080		CAP,E 47-10 M 11L SME<HR,HS>	C796	87-010-197-080		CAP, CHIP 0.01 DM
C515	87-010-401-080		CAP,E 1-50 M 11L SME<HR,HS>	C797	87-010-405-080		CAP, ELECT 10-50V
C516	87-010-401-080		CAP,E 1-50 M 11L SME<HR,HS>	C798	87-010-197-080		CAP, CHIP 0.01 DM
C517	87-010-183-080		C-CAP,S 2700P-50 K B GRM<HR,HS>	C799	87-010-407-080		CAP, ELECT 33-50V
C518	87-010-183-080		C-CAP,S 2700P-50 K B GRM<HR,HS>	C800	87-012-369-080		C-CAP,S 0.047-50F
C531	87-010-405-080		CAP,E 10-50 M 11L SME<HR,HS>	C801	87-010-403-080		CAP, ELECT 3.3-50V
C532	87-010-196-080		C-CAP,S 0.1-25 Z F C2012<HR,HS>	C802	87-012-369-080		C-CAP,S 0.047-50F
C533	87-010-196-080		C-CAP,S 0.1-25 Z F C2012<HR,HS>	C803	87-010-198-080		CAP, CHIP 0.022
C534	87-012-156-080		C-CAP,S 220P-50 J CH GRM<HR>	C804	87-010-263-080		CAP, ELECT 100-10V
C535	87-010-178-080		C-CAP,S 1000P-50 K B C2012<HR,HS>	C806	87-010-401-040		CAP,E 1-50 SME
C536	87-010-196-080		CHIP CAPACITOR,0.1-25	C807	87-010-400-080		CAP, ELECT 0.47-50V
C538	87-010-318-080		C-CAP,S 47P-50 J CH GRM<HR,HS>	C808	87-010-401-080		CAP, ELECT 1-50V
C541	87-010-178-080		C-CAP,S 1000P-50 K B C2012<HR,HS>	C809	87-010-401-080		CAP, ELECT 1-50V
C609	87-010-181-080		CAP,CHIP S 1800P	C810	87-010-263-040		CAP,E 100-10
C610	87-010-181-080		CAP,CHIP S 1800P	C810	87-010-196-080		CHIP CAPACITOR,0.1-25
C611	87-010-956-080		CHIP-CAP,S 0.068-25B	C811	87-010-403-080		CAP, ELECT 3.3-50V
C612	87-016-369-080		C-CAP,S 0.033-25 B K	C811	87-010-545-040		CAP,E 0.22-50 SME
C613	87-010-197-080		CAP, CHIP 0.01 DM	C812	87-010-403-080		CAP, ELECT 3.3-50V
C614	87-016-669-080		C-CAP,S 0.1-25 K B	C812	87-010-405-040		CAP,E 10-50
C616	87-010-184-080		CHIP CAPACITOR 3300P(K)	C814	87-010-197-080		CAP, CHIP 0.01 DM
C617	87-012-369-080		C-CAP,S 0.047-50F	C815	87-010-403-080		CAP, ELECT 3.3-50V<U,HA,HS>
C618	87-010-401-080		CAP, ELECT 1-50V	C815	87-010-400-080		CAP, ELECT 0.47-50V<HR>
C619	87-010-263-080		CAP, ELECT 100-10V	C816	87-010-403-080		CAP, ELECT 3.3-50V<U,HA,HS>
C620	87-016-669-080		C-CAP,S 0.1-25 K B	C816	87-010-400-080		CAP, ELECT 0.47-50V<HR>
C621	87-010-197-080		CAP, CHIP 0.01 DM	C819	87-010-179-080		CAP,CHIP S B1200P<U,HS>
C623	87-010-401-080		CAP, ELECT 1-50V	C820	87-010-179-080		CAP,CHIP S B1200P<U,HS>
C624	87-010-401-080		CAP, ELECT 1-50V	C821	87-010-405-080		CAP, ELECT 10-50V
C626	87-A10-354-080		C-CAP,S 0.047-50 K B	C823	87-010-177-080		C-CAP,S 820P-50 SL
C627	87-010-400-080		CAP, ELECT 0.47-50V	C824	87-010-405-080		CAP, ELECT 10-50V
C628	87-010-400-080		CAP, ELECT 0.47-50V	C825	87-010-596-080		CAP, S 0.047-16
C629	87-A10-354-080		C-CAP,S 0.047-50 K B	C842	87-010-197-080		CAP, CHIP 0.01 DM
C630	87-010-383-080		CAP, ELECT 33-25V	C843	87-010-190-080		S CHIP F 0.01
C631	87-010-185-080		C-CAP,S 3900P-50 B	C844	87-010-197-080		CAP, CHIP 0.01 DM
C632	87-010-185-080		C-CAP,S 3900P-50 B	C845	87-010-190-080		S CHIP F 0.01
C634	87-010-196-080		CHIP CAPACITOR,0.1-25	C846	87-010-190-080		S CHIP F 0.01
C635	87-A10-307-080		CAP,M 0.1-50 J	C847	87-010-190-080		S CHIP F 0.01
C636	87-A10-307-080		CAP,M 0.1-50 J	C848	87-010-190-080		S CHIP F 0.01
C637	87-A10-307-080		CAP,M 0.1-50 J	C849	87-010-190-080		S CHIP F 0.01

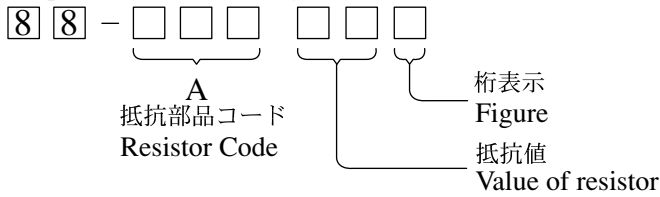
REF. NO.	PART NO.	KANRI NO.	DESCRIPTION	REF. NO.	PART NO.	KANRI NO.	DESCRIPTION
C387	87-010-196-080		CHIP CAPACITOR,0.1-25	R211	87-012-156-080		C-CAP,S 220P-50 J CH GRM
C392	87-010-320-080		CHIP CAP 68P	R212	87-012-156-080		C-CAP,S 220P-50 J CH GRM
C402	87-010-196-080		CHIP CAPACITOR,0.1-25	S101	87-A91-709-010		SW,RTRY 1-2-24 RE012103 PV
C403	87-010-322-080		C-CAP,S 100P-50 CH	S102	87-A91-710-010		SW,RTRY 1-2-12 RE012103 PV
C404	87-010-322-080		C-CAP,S 100P-50 CH	S301	87-A91-024-180		SW,TACT KSHG611BT
C405	87-010-322-080		C-CAP,S 100P-50 CH	S302	87-A91-024-180		SW,TACT KSHG611BT
C406	87-010-322-080		C-CAP,S 100P-50 CH	S303	87-A91-024-180		SW,TACT KSHG611BT
C407	87-010-322-080		C-CAP,S 100P-50 CH	S304	87-A91-024-180		SW,TACT KSHG611BT
C408	87-010-322-080		C-CAP,S 100P-50 CH	S305	87-A91-024-180		SW,TACT KSHG611BT
C409	87-010-196-080		C-CAP,S 0.1-25 Z F C2012	S306	87-A91-024-180		SW,TACT KSHG611BT
C501	87-010-544-040		CAP,E 0.1-50 SME<U,HA>	S311	87-A91-024-180		SW,TACT KSHG611BT<HR,HS>
C502	87-010-196-080		CHIP CAPACITOR,0.1-25<U,HA>	S312	87-A91-024-180		SW,TACT KSHG611BT<HR,HS>
C503	87-010-544-040		CAP,E 0.1-50 SME<U,HA>	S313	87-A91-024-180		SW,TACT KSHG611BT<HR,HS>
C504	87-012-156-080		C-CAP,S 220P-50 CH<U,HA>	S314	87-A91-024-180		SW,TACT KSHG611BT<HA,HR,HS>
C505	87-010-178-080		CHIP CAP 1000P<U,HA>	S321	87-A91-024-180		SW,TACT KSHG611BT
C521	87-010-178-080		CHIP CAP 1000P<U,HA>	S322	87-A91-024-180		SW,TACT KSHG611BT
C601	87-010-186-080		CAP,CHIP 4700P	S323	87-A91-024-180		SW,TACT KSHG611BT
C602	87-010-405-040		CAP,E 10-50 M 11L SME<HR>	S324	87-A91-024-180		SW,TACT KSHG611BT
C603	87-010-320-080		CHIP CAP 68P	S325	87-A91-024-180		SW,TACT KSHG611BT
C604	87-010-546-040		CAP,E 0.33-50	S326	87-A91-024-180		SW,TACT KSHG611BT
C606	87-010-112-040		CAP,E 100-16	S327	87-A91-024-180		SW,TACT KSHG611BT
C607	87-010-196-080		CHIP CAPACITOR,0.1-25	S328	87-A91-024-180		SW,TACT KSHG611BT
C608	87-010-178-080		C-CAP,S 1000P-50 K B C2012<HR>	S329	87-A91-024-180		SW,TACT KSHG611BT<HA,HR,HS>
C609	87-010-196-080		CHIP CAPACITOR,0.1-25	S330	87-A91-024-180		SW,TACT KSHG611BT<HA,HR,HS>
C621	87-010-178-080		CHIP CAP 1000P	S331	87-A91-024-180		SW,TACT KSHG611BT<HA,HR,HS>
C652	87-010-183-080		C-CAP,S 2700P-50 B	S332	87-A91-024-180		SW,TACT KSHG611BT<HA,HR,HS>
C653	87-010-213-080		C-CAP,S 0.015-50 B	S333	87-A91-024-180		SW,TACT KSHG611BT
C701	87-010-260-040		CAP,E 47-25 SME	S334	87-A91-024-180		SW,TACT KSHG611BT
C802	87-010-168-080		CAP, CHIP 150P<HA,HS,HR>	S341	87-A91-024-180		SW,TACT KSHG611BT
C804	87-010-187-080		CAP CHIP S5600P<HA,HS,HR>	S342	87-A91-024-180		SW,TACT KSHG611BT
C808	87-010-196-080		CHIP CAPACITOR,0.1-25<HA,HS>	S343	87-A91-024-180		SW,TACT KSHG611BT
C809	87-012-155-080		C-CAP 180P-50CH<HA,HS,HR>	S344	87-A91-024-180		SW,TACT KSHG611BT
CN102	8A-NF7-605-010		CONN ASSY,4P V 80MM	S345	87-A91-024-180		SW,TACT KSHG611BT
CN104	87-099-017-010		CONN, 15P 6216 V	S346	87-A91-024-180		SW,TACT KSHG611BT
CN901	87-A60-138-010		CONN,13P V FE	S347	87-A91-024-180		SW,TACT KSHG611BT
CON101	87-099-720-010		CONN,30P TYK-B(P)	S349	87-A91-024-180		SW,TACT KSHG611BT
FB601	87-008-372-080		FILTER, EMI BL OIRNI	S350	87-A91-024-180		SW,TACT KSHG611BT
FB801	87-008-372-080		FILTER, EMI BL OIRNI<HA,HR,HS>	S351	87-A91-024-180		SW,TACT KSHG611BT
FC104	88-915-111-110		FF-CABLE,15P 1.25	S352	87-A91-024-180		SW,TACT KSHG611BT
FC901	85-NF5-618-010		CABLE,FFC 13P-1.25	S353	87-A91-024-180		SW,TACT KSHG611BT
FL201	8A-NF7-601-010		FL,BJ754GNK	S354	87-A91-024-180		SW,TACT KSHG611BT
J601	87-A61-242-010		JACK,6.3 BLK MONO W/SW V KM	S355	87-A91-024-180		SW,TACT KSHG611BT
J602	87-A61-242-010		JACK,6.3 BLK MONO W/SW V KM<HR>	VR501	86-NFA-607-010		VR,RTRY 10K15AX1<U,HA,HS>
JW807	87-005-847-080		COIL,2.2UH K CECS<HR>				
L101	87-A50-333-010		COIL,OSC 9.43MHZ				
L801	87-A50-093-010		COIL,CLOCK 5.76MHZ<HA,HR,HS>				
L802	87-005-847-080		COIL,2.2UH (CECS) <HA,HR,HS>				
LED401	87-017-733-080		LED,SEL1250SM	C101	87-010-183-080		C-CAP,S 2700P-50 B
LED402	87-017-733-080		LED,SEL1250SM	C102	87-010-183-080		C-CAP,S 2700P-50 B
LED403	87-017-733-080		LED,SEL1250SM	C103	87-010-545-080		CAP, ELECT 0.22-50V
LED404	87-017-733-080		LED,SEL1250SM	C104	87-010-545-080		CAP, ELECT 0.22-50V
LED405	87-017-733-080		LED,SEL1250SM	C107	87-010-405-080		CAP, ELECT 10-50V
LED416	87-A40-619-080		LED,SLR-56PT-TE7-W GRN	C108	87-010-405-080		CAP, ELECT 10-50V
LED417	87-A40-619-080		LED,SLR-56PT-TE7-W GRN	C111	87-010-179-080		C-CAP,S 1200P-50 K B GRM<HS>
LED418	87-A40-619-080		LED,SLR-56PT-TE7-W GRN	C112	87-010-179-080		C-CAP,S 1200P-50 K B GRM<HS>
LED419	87-A40-619-080		LED,SLR-56PT-TE7-W GRN	C113	87-010-405-080		CAP, ELECT 10-50V
LED420	87-A40-619-080		LED,SLR-56PT-TE7-W GRN	C114	87-010-405-080		CAP, ELECT 10-50V
LED421	87-A40-619-080		LED,SLR-56PT-TE7-W GRN	C115	87-010-866-080		CAP, ELECT 10-63
LED422	87-A40-317-080		LED,SLR-342VCT31 RED	C116	87-010-866-080		CAP, ELECT 10-63
LED423	87-A40-317-080		LED,SLR-342VCT31 RED	C119	87-010-197-080		CAP, CHIP 0.01 DM
LED424	87-A40-317-080		LED,SLR-342VCT31 RED	C120	87-010-197-080		CAP, CHIP 0.01 DM
LED440	87-A40-563-010		LED,SEL6515C-LF62 PGRN	C133	87-010-190-080		C-CAP,S 0.01-50 Z F C2012
LED441	87-A40-563-010		LED,SEL6515C-LF62 PGRN	C153	87-010-188-080		C-CAP,S 6800P-50 K B C2012
LED442	87-A40-563-010		LED,SEL6515C-LF62 PGRN	C201	87-A10-300-080		CAP,M 0.027-50 J
LED443	87-A40-563-010		LED,SEL6515C-LF62 PGRN	C202	87-A10-300-080		CAP,M 0.027-50 J
LED444	87-A40-563-010		LED,SEL6215S-LF62 PGRN	C203	87-A10-300-080		CAP,M 0.027-50 J
LED445	87-A40-563-010		LED,SEL6215S-LF62 PGRN	C204	87-A10-300-080		CAP,M 0.027-50 J
LED454	87-A40-678-010		LED,SELU1E10CXM BLUE-DEF	C205	87-010-180-080		C-CER 1500P
LED455	87-A40-678-010		LED,SELU1E10CXM BLUE-DEF	C206	87-010-180-080		C-CER 1500P
LED499	87-017-733-080		LED,SEL1250SM	C207	87-010-401-080		CAP, ELECT 1-50V
				C208	87-010-401-080		CAP, ELECT 1-50V

REF. NO.	PART NO.	KANRI NO.	DESCRIPTION	REF. NO.	PART NO.	KANRI NO.	DESCRIPTION
C209	87-010-187-080		CAP CHIP S5600P	C12	87-016-657-090		CAP, E 3300-71<HA,HR,HS>
C210	87-010-187-080		CAP CHIP S5600P	C13	87-016-520-000		CAP, E 3300-65 M SMG<U>
C211	87-010-402-080		CAP, ELECT 2.2-50V	C13	87-016-657-090		CAP, E 3300-71<HA,HR,HS>
C212	87-010-402-080		CAP, ELECT 2.2-50V	C16	87-010-403-080		CAP, ELECT 3.3-50V
C215	87-012-140-080		C-CAP,S 470P-50 J CH<U,HA,HR>	CN1	87-A61-110-010		CONN,9P V TID-A
C215	87-010-179-080		C-CAP,S 1200P-50 K B GRM<HS>	△	CN2	87-A61-108-010	CONN,5P V TID-A
C216	87-012-140-080		C-CAP,S 470P-50 J CH<U,HA,HR>	△	PT1	8A-NF7-621-010	PT,ANF-7 U<U>
C216	87-010-179-080		C-CAP,S 1200P-50 K B GRM<HS>	△	PT1	8A-NF7-622-010	PT,ANF-7 H<HA,HR,HS>
C217	87-010-403-080		CAP, ELECT 3.3-50V	△	PT2	8A-NF8-661-010	PT,SUB ANF-8 U<U>
C218	87-010-403-080		CAP, ELECT 3.3-50V	△	PT2	8A-NF8-673-010	PT,SUB ANF-8 (H) KAMI<HA,HR,HS>
C221	87-010-405-080		CAP, ELECT 10-50V	△	RY1	87-A91-281-010	RELAY,AC DC12V OSA-SS-212DM5<HA,HR,HS>
C222	87-010-405-080		CAP, ELECT 10-50V	△	RY2	87-A90-976-010	RELAY,AC 12V SDT-S-112 LMR<U>
C223	87-010-197-080		CAP, CHIP 0.01 DM	△	S1	87-A90-165-010	SW,SL 1-2-3 SWS2301<HA,HR>
C224	87-010-197-080		CAP, CHIP 0.01 DM	△	T1	87-A60-317-010	TERMINAL, 1P MSC
C251	87-010-196-080		CHIP CAPACITOR,0.1-25	△	T2	87-A60-317-010	TERMINAL, 1P MSC
C252	87-010-196-080		CHIP CAPACITOR,0.1-25				
C253	87-010-196-080		CHIP CAPACITOR,0.1-25				VM C.B<HA,HR,HS>
C254	87-010-196-080		CHIP CAPACITOR,0.1-25				
C255	87-010-190-080		S CHIP F 0.01		CNA3	87-049-919-010	CONN,3P V WHT EH
C256	87-010-190-080		S CHIP F 0.01				
C257	87-010-190-080		S CHIP F 0.01				DECK C.B
C258	87-010-190-080		S CHIP F 0.01				
C401	87-010-260-080		CAP, ELECT 47-25	W1	82-ZM3-601-010		RBN,CORD,4P-75
CN101	87-A61-011-010		CONN,13P H BLK TAC-L13P-A3	CON105	87-099-756-010		CONN,15P 9604 S F
CN102	87-A61-011-010		CONN,13P H BLK TAC-L13P-A3	SFR1	87-024-581-010		SFR,3.3K DIA 6H
CNA101	8A-NF8-656-010		CONN ASSY,5P TID-A 400	SOL1	82-ZM1-618-410		SOL ASSY,27
J201	87-A61-148-010		JACK,PIN 4P R/W BLUE	SOL2	82-ZM1-618-410		SOL ASSY,27
L251	87-A50-610-010		COIL,1UH K(MDEC)<U,HA>	SW1	87-A90-248-010		SW,MICRO ESE11SH2CXQ
L252	87-A50-610-010		COIL,1UH K(MDEC)<U,HA>	SW2	87-A90-248-010		SW,MICRO ESE11SH2CXQ
R129	87-A00-262-080		RES,M/F 0.15-2W J	SW3	87-A90-248-010		SW,MICRO ESE11SH2CXQ
R130	87-A00-262-080		RES,M/F 0.15-2W J	SW4	87-036-110-010		SW,MICRO SPPB62
R231	87-A00-258-080		RES,M/F 0.22-1W J	SW5	87-036-110-010		SW,MICRO SPPB62
R232	87-A00-258-080		RES,M/F 0.22-1W J	SW6	87-036-110-010		SW,MICRO SPPB62
WH101	87-A90-459-010		HLDR,WIRE 2.5-5P	SW8	87-A90-248-010		SW,MICRO ESE11SH2CXQ
				SW9	87-A90-248-010		SW,MICRO ESE11SH2CXQ
PT C.B							
C1	87-010-387-080		CAP,E 470-25 SME				HEAD-1 C.B
C4	87-A11-148-080		CAP,TC U 0.1-50 Z F				
C5	87-A11-148-080		CAP,TC U 0.1-50 Z F		85-ZM3-602-010		PWB,FLEX A
C6	87-A10-627-000		CAP,E 2200-50 M SMG				
C7	87-A10-627-000		CAP,E 2200-50 M SMG				HEAD-2 C.B
C8	87-A11-148-080		CAP,TC U 0.1-50 Z F				
C9	87-A11-148-080		CAP,TC U 0.1-50 Z F		85-ZM3-602-010		PWB,FLEX A
C10	87-A11-148-080		CAP,TC U 0.1-50 Z F	CON351	87-NF6-616-010		CONN ASSY,8P-RPB
C11	87-A11-148-080		CAP,TC U 0.1-50 Z F				
C12	87-016-520-000		CAP,E 3300-65 M SMG<U>				

○チップ抵抗部品コード／CHIP RESISTOR PART CODE

チップ抵抗部品コードの成り立ち

Chip Resistor Part Coding



チップ抵抗
Chip resistor

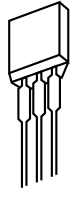
容量 Wattage	種類 Type	許容誤差 Tolerance	記号 Symbol	寸法/Dimensions (mm)			抵抗コード : A Resistor Code : A	
				外形/Form	L	W		t
1/16W	1005	± 5%	CJ		1.0	0.5	0.35	104
1/16W	1608	± 5%	CJ		1.6	0.8	0.45	108
1/10W	2125	± 5%	CJ		2	1.25	0.45	118
1/8W	3216	± 5%	CJ		3.2	1.6	0.55	128

TRANSISTOR ILLUSTRATION



E C B

KTA1266GR
KTC3198GR
KTC3199GR
CSA952K



E C B

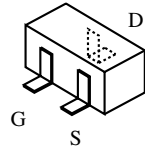
CD1585BC
CSC4115BC

DTC114ES



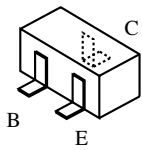
B C E

2SB1370



G S

2SK2158
2SJ461-T1
2SK360E



B E C

2SA1235F
2SC2714
2SC3052F
CMBT5551
CMBT5401
CSD1306E

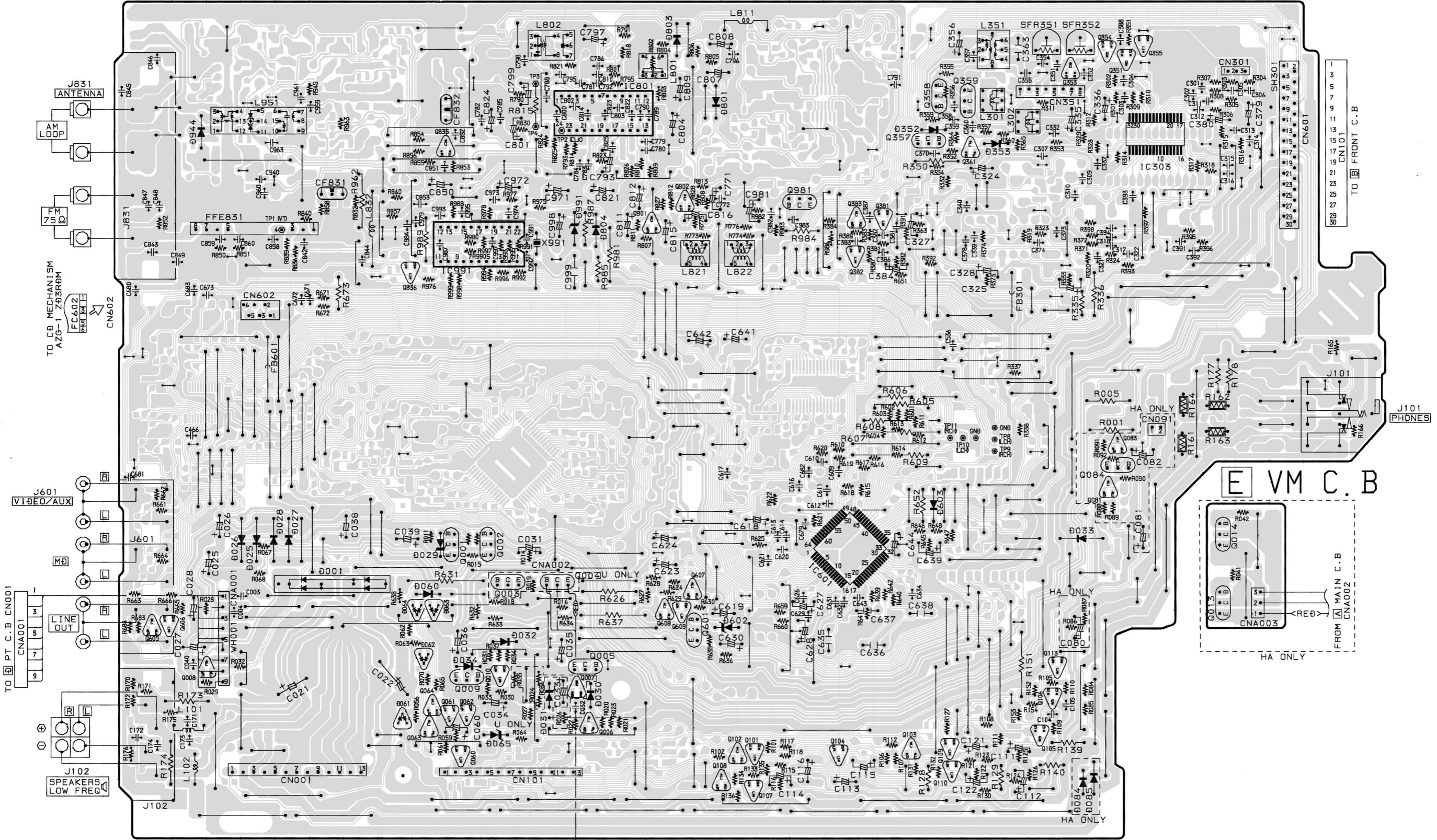
RT1N141C
RT1P141C
RT1P144C
RT1P441C
2SA933SRS

32 31 30 29 28 27 26 25 24 23 22 21 20 19 18 17 16 15 14 13 12 11 10 9 8 7 6 5 4 3 2 1

A MAIN C.B. <U, HA>

FROM HEAD-2 C.B.
CON351
1 3 5 7 8

FROM HEAD-1 C.B.
CON301
1 2 3

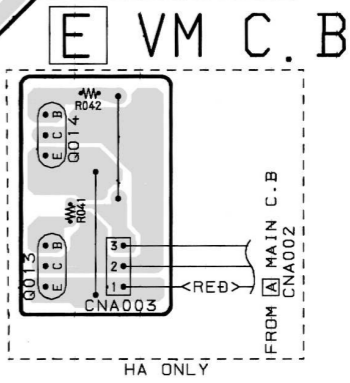


FROM AMP C.B.
CN102
1 3 5 7 9 11 13

FROM AMP C.B.
CN101
1 3 5 7 9 11 13

TO VM C.B.
L_CNA003 HA ONLY

HA ONLY
CN091
1 2
FAN 1

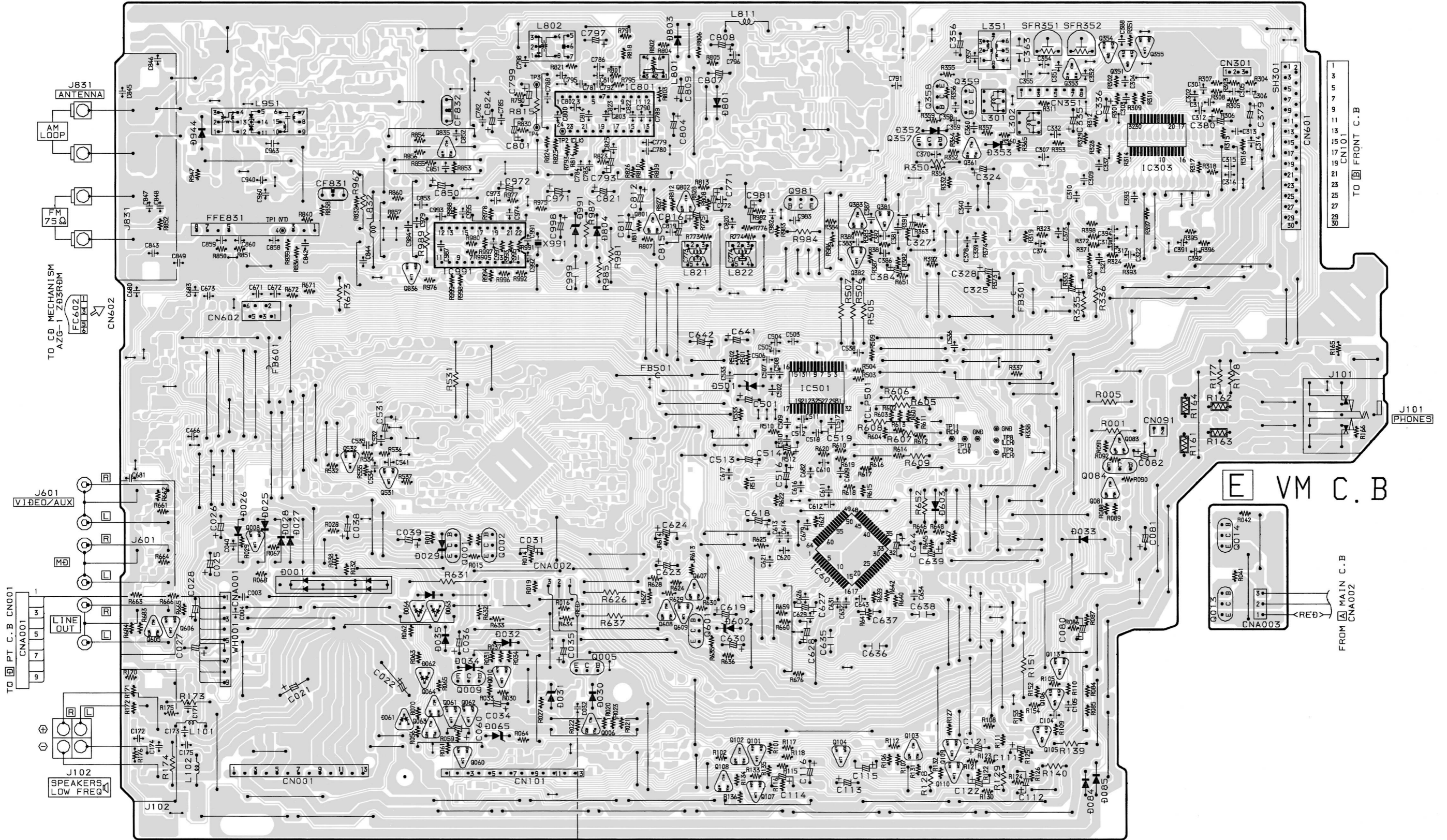


32 31 30 29 28 27 26 25 24 23 22 21 20 19 18 17 16 15 14 13 12 11 10 9 8 7 6 5 4 3 2 1

A MAIN C.B <HS>

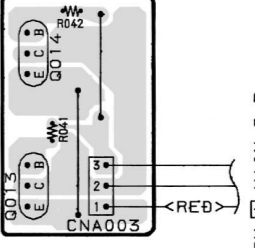
FROM HEAD-2 C.B
CON351
1 3 5 7 8

FROM HEAD-1 C.B
CON301
1 2 3



TO FRONT C.B
CN601
1 3 5 7 9 11 13 15 17 19 21 23 25 27 29 31

E VM C.B



FROM MAIN C.B
CNA002

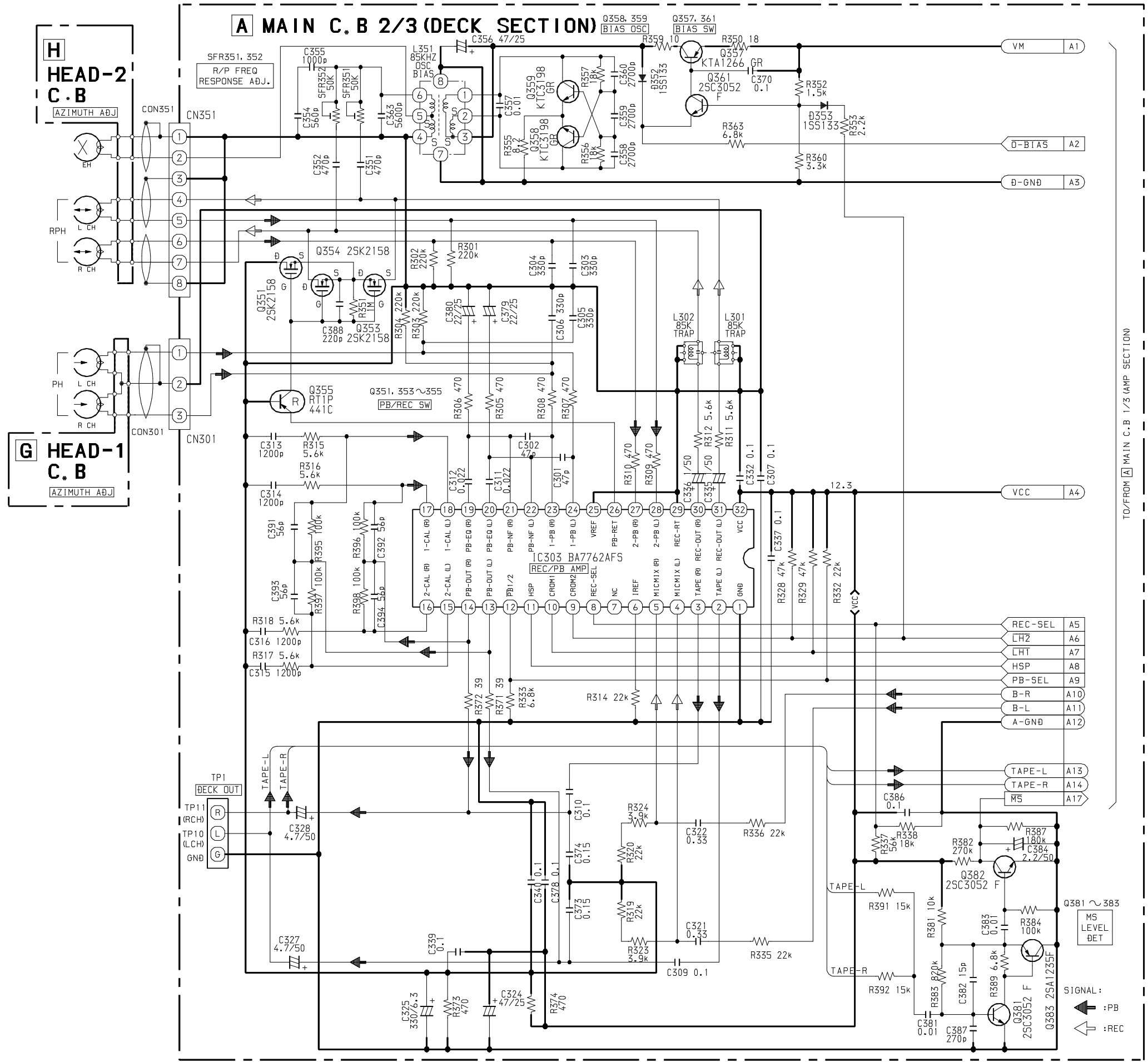
CON102
FROM AMP C.B

CON101
FROM AMP C.B

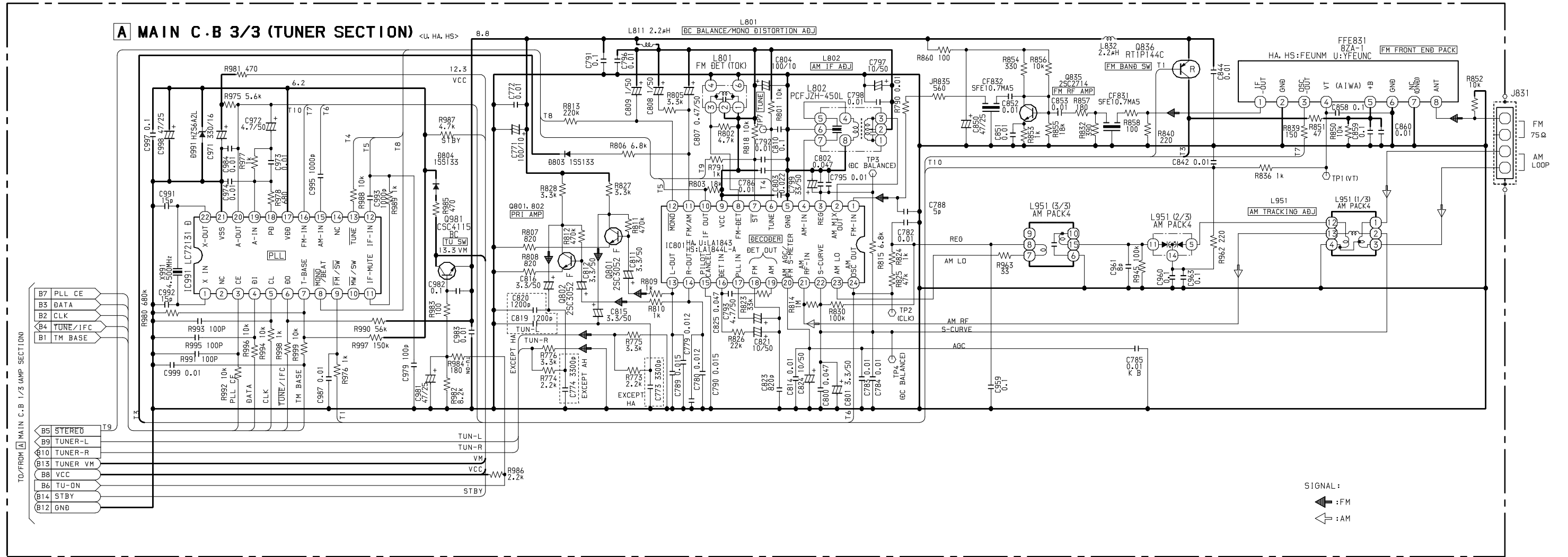
TO VM C.B
CNA003

CN091
FAN 1

A B C D E F G H I J K L M N O P Q R S T U



SCHEMATIC DIAGRAM - 3 (MAIN 3/3: TUNER: U,HA,HS)



32 31 30 29 28 27 26 25 24 23 22 21 20 19 18 17 16 15 14 13 12 11 10 9 8 7 6 5 4 3 2 1

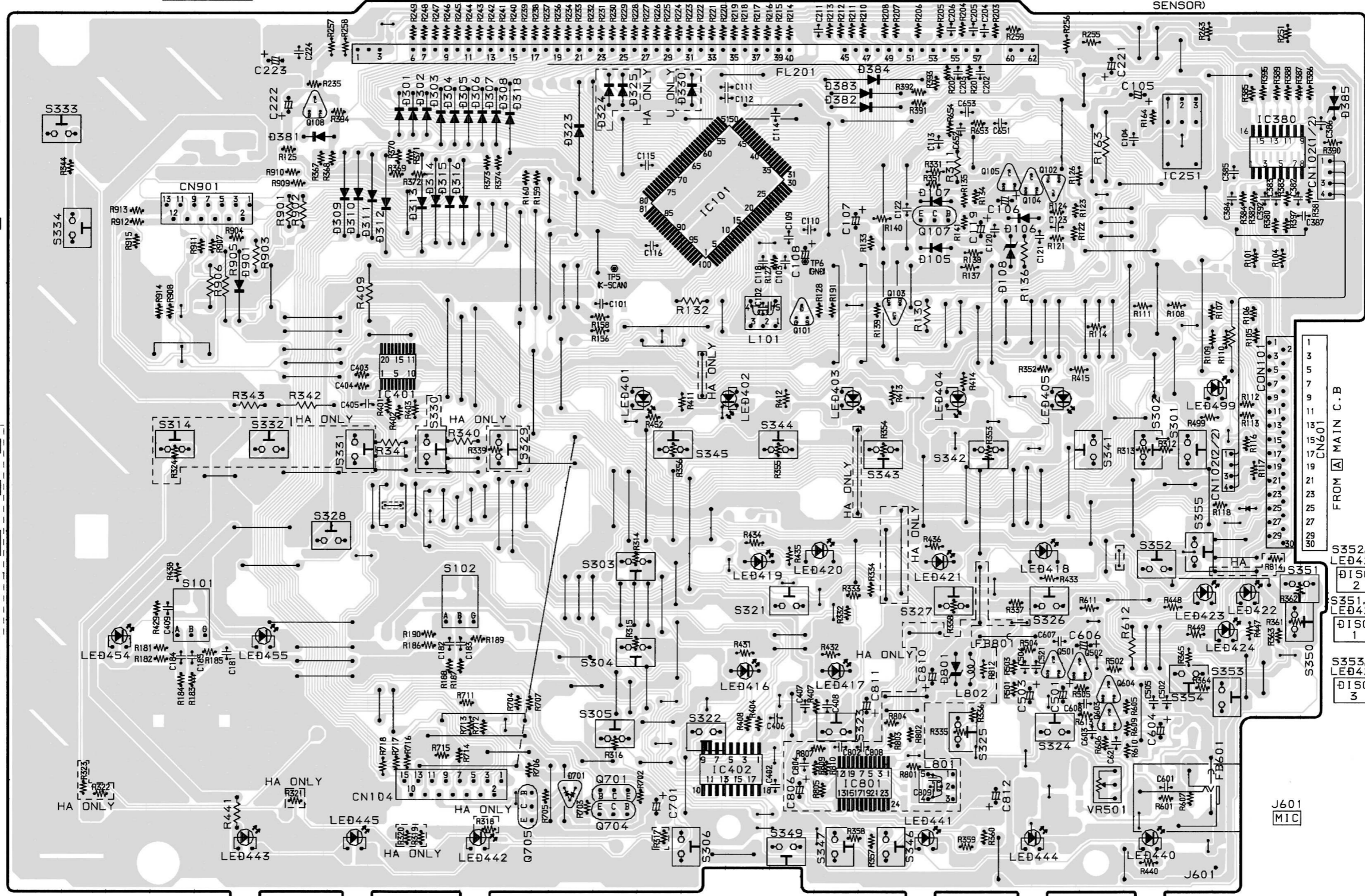
A
B
C
D
E
F
G
H
I
J
K
L
M
N
O
P
Q
R
S
T
U

TO CD MECHANISM
AZG-1 ZD3RDM
FC901
13 11 9 7 5 3 1

B FRONT C. B <HA, U>

FL201
(DISPLAY)

IC251
(REMOTE
SENSOR)



LED499
STANDBY

FROM MAIN C. B
CN601

S352, LED423
DISC 2
S355
▲ OPEN/CLOSE
S351, LED422
DISC 1
S350
CD BLANK SKIP
S353, LED424
DISC 3
S354
DISC CHANGE

HA ONLY
S314
SPICE B
S332
SPICE A
S331
AUTO SPICE /FILL IN
S330
BEAT ON/OFF
S329
RHYTHM
S101
LED454, LED455
VOLUME

LED442, LED443, LED445
DECK 2 BACK LIGHT
S328
ENTER
FC104
TO DECK C. B
S371
MULTI JOG
S303
GEO
S304
TIMER
S305
CLOCK
S306
KARAOKE
S345, S344, S343,
LED401 LED402 LED403
S342, LED404 S341, LED405 S302
S301
POWER STANDBY/ON
S321, LED419
DIRECTION/PRESET
S327, LED421
CLEAR
S326, LED418
MSET
S322, LED416
S323, LED417
S325
REC/REC MUTE
S324
SYNC SUB NORM/HIGH
S349
CD EBIT/CHECK
S347, LED420
REV MODE (DECK2)
S346
DEMO
LED440, LED441, LED444
DECK1 BACK LIGHT

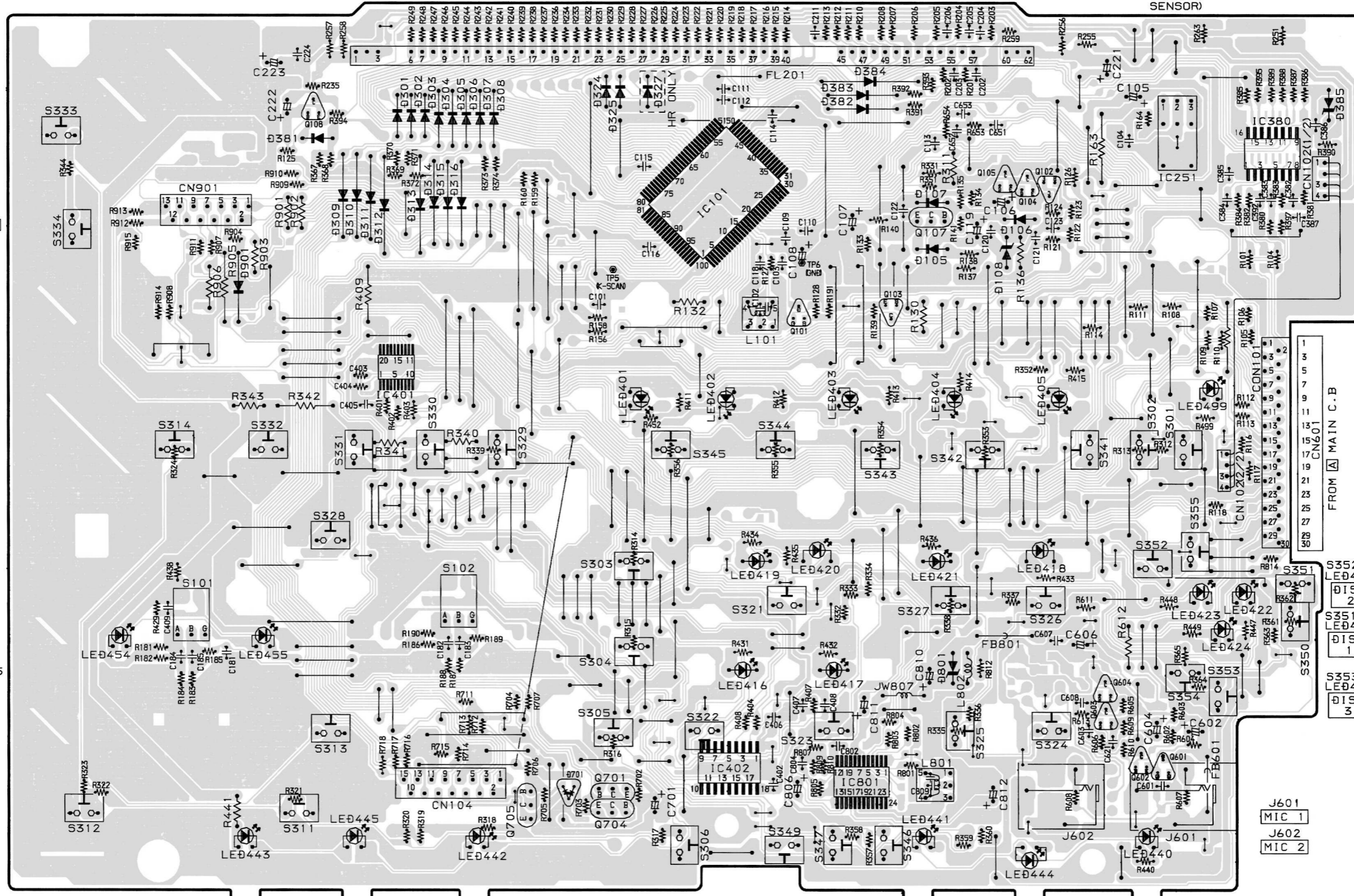
32 31 30 29 28 27 26 25 24 23 22 21 20 19 18 17 16 15 14 13 12 11 10 9 8 7 6 5 4 3 2 1

A
B
C
D
E
F
G
H
I
J
K
L
M
N
O
P
Q
R
S
T
U

TO CD MECHANISM
620-1 ZRNDM
FC901
13 11 9 7 5 3 1

B FRONT C.B <HR, HS> FL201 (DISPLAY)

IC251 (REMOTE SENSOR)



LED499
STANDBY

FROM MAIN C.B
CN601

S352, LED423
S355
S351, LED422
S350
S353, LED424
S354

DISC 2
DISC 1
DISC 3

OPEN/CLOSE
CD BLANK SKIP
DISC CHANGE

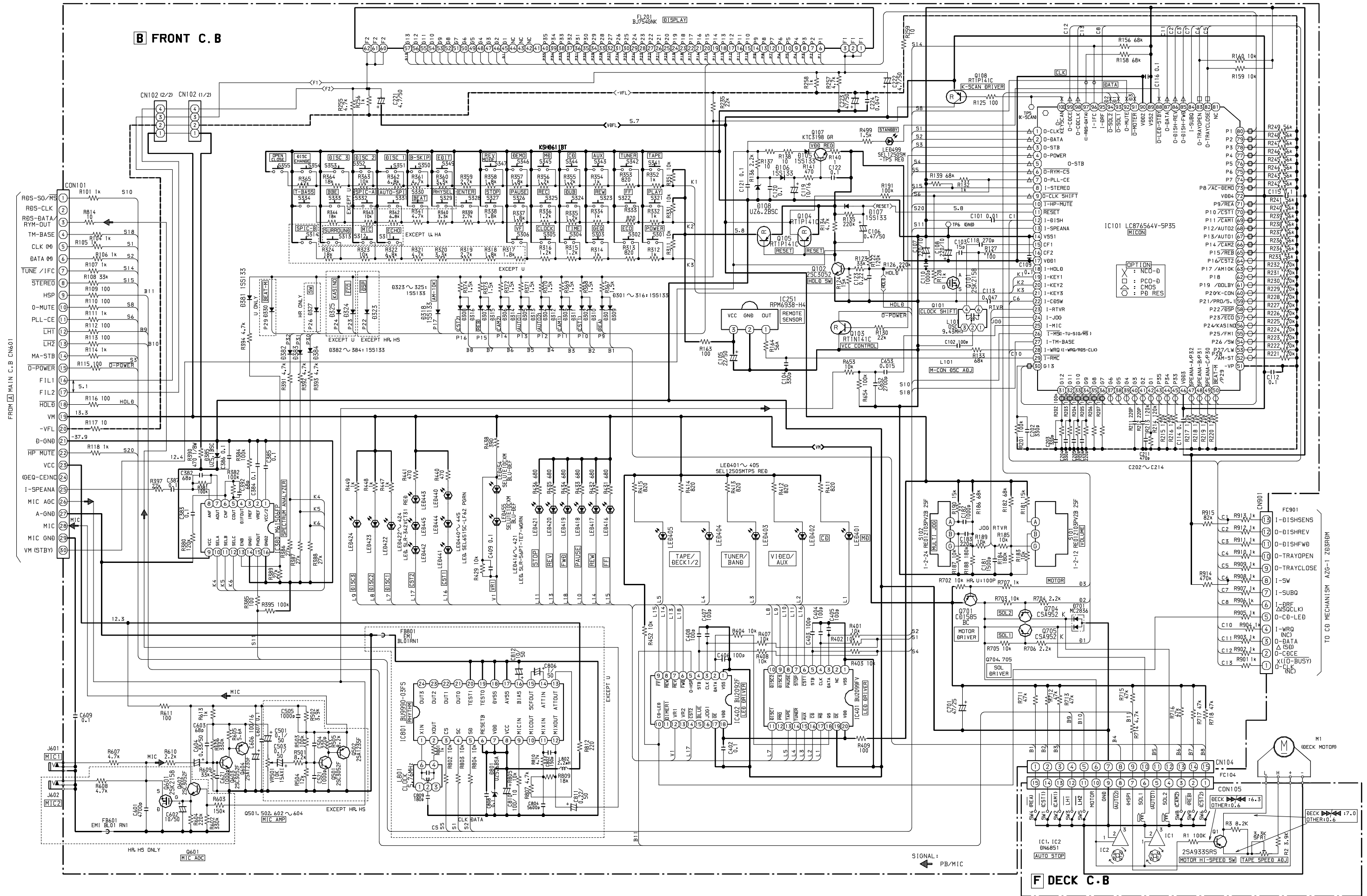
J601
MIC 1
J602
MIC 2

S312 MIC
S311 ECHO
S328 ENTER
S313 SURROUND
S371 MULTI JOG
S303 GEO
S304 TIMER
S305 CLOCK
S306 KARAOKE
S345, LED401 MB
S344, LED402 CB
S343, LED403 VIDEO/AUX
S342, LED404
S341, LED405
S302 ECD
S301 POWER STANDBY/ON
S321, LED419
S327, LED421
S326, LED418
S322, LED416
S323, LED417
S325 REC/REC MUTE
S324 SYNC SUB NORM/HIGH
S349 CD EDIT/CHECK
S347, LED420 REV MODE (DECK2)
S346 DEMO
LED440, LED441, LED444 DECK1 BACK LIGHT

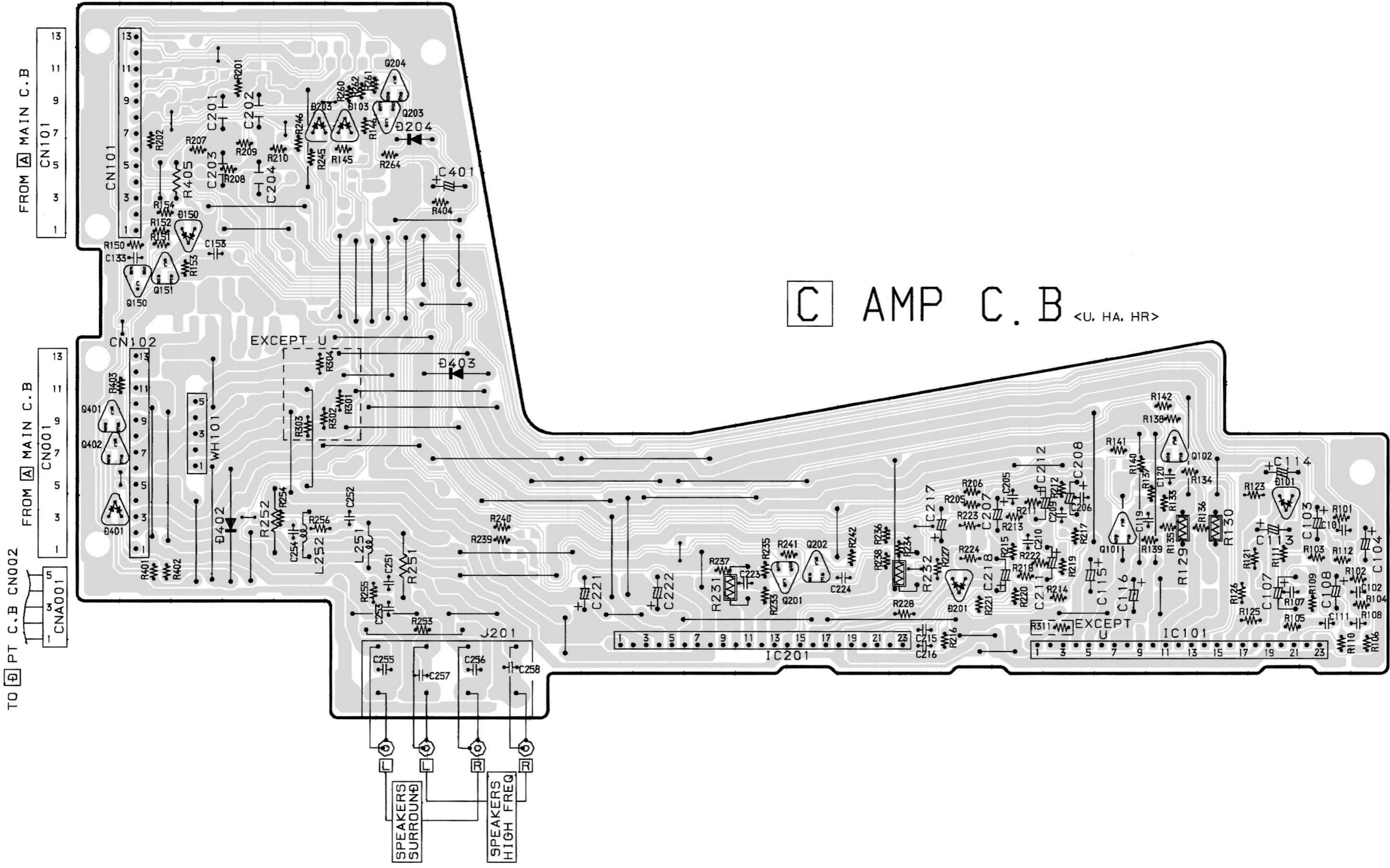
S312 MIC
LED442, LED443, LED445
DECK 2 BACK LIGHT

13 11 9 7 5 3 1
FC104
TO DECK C.B

SCHEMATIC DIAGRAM - 5 (FRONT/DECK)



32	31	30	29	28	27	26	25	24	23	22	21	20	19	18	17	16	15	14	13	12	11	10	9	8	7	6	5	4	3	2	1
----	----	----	----	----	----	----	----	----	----	----	----	----	----	----	----	----	----	----	----	----	----	----	---	---	---	---	---	---	---	---	---



C AMP C.B. <U, HA, HR>

TO PT C.B. CN002

FROM MAIN C.B.

FROM MAIN C.B.

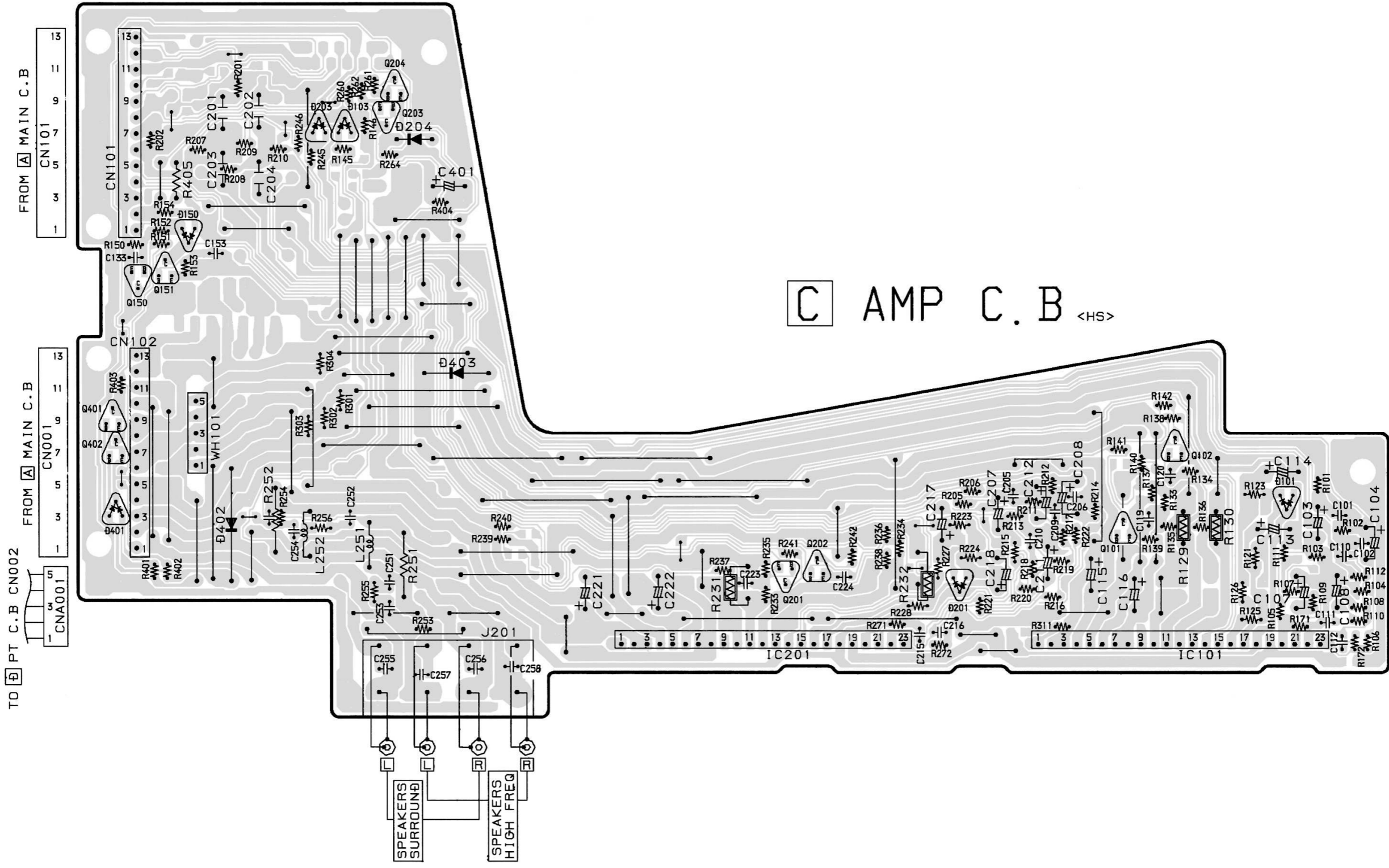
SPEAKERS SURROUND

SPEAKERS HIGH FREQ

A
B
C
D
E
F
G
H
I
J
K
L
M
N
O
P
Q
R
S
T
U

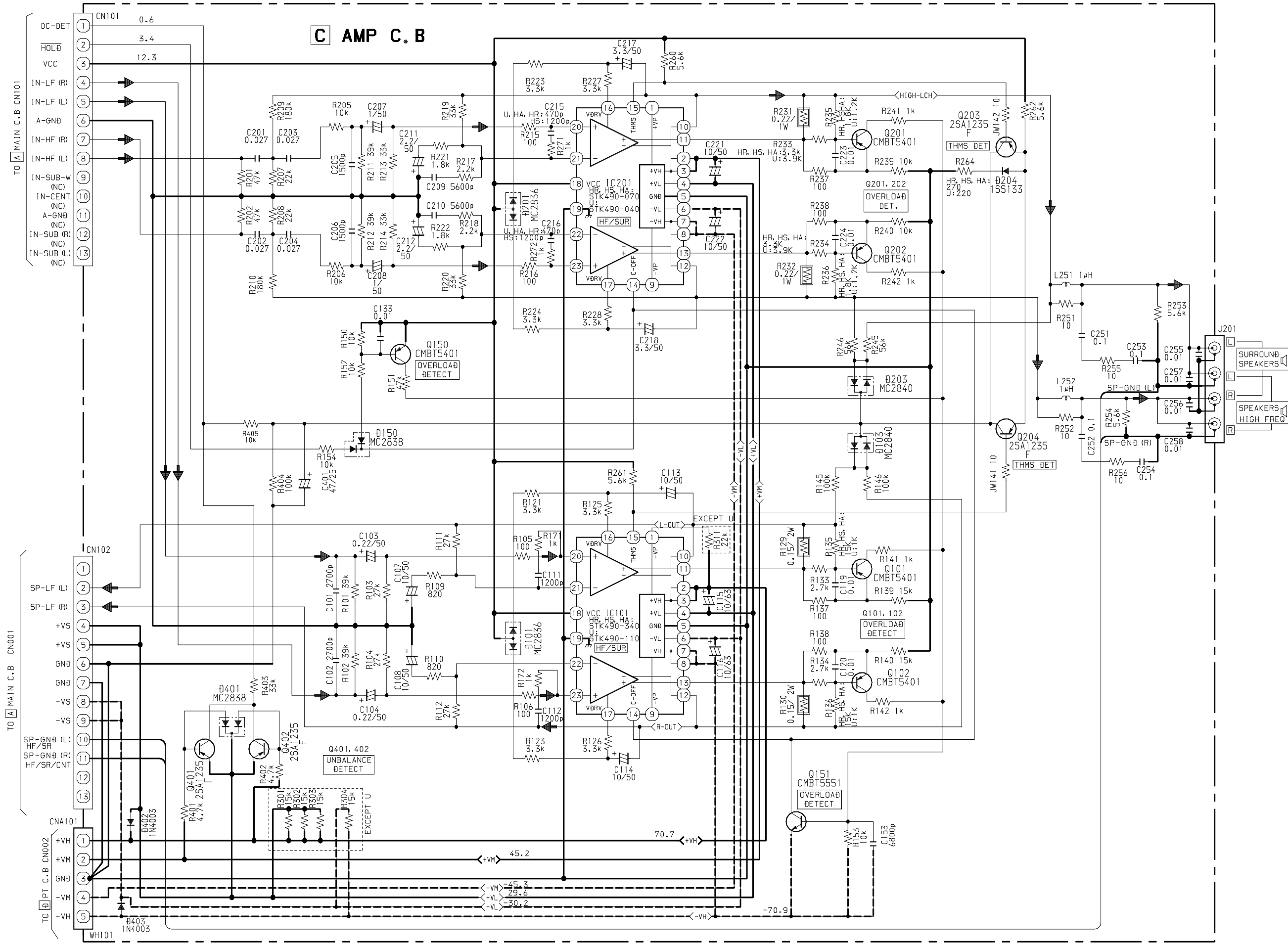
32	31	30	29	28	27	26	25	24	23	22	21	20	19	18	17	16	15	14	13	12	11	10	9	8	7	6	5	4	3	2	1
----	----	----	----	----	----	----	----	----	----	----	----	----	----	----	----	----	----	----	----	----	----	----	---	---	---	---	---	---	---	---	---

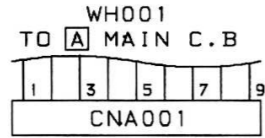
A
B
C
D
E
F
G
H
I
J
K
L
M
N
O
P
Q
R
S
T
U



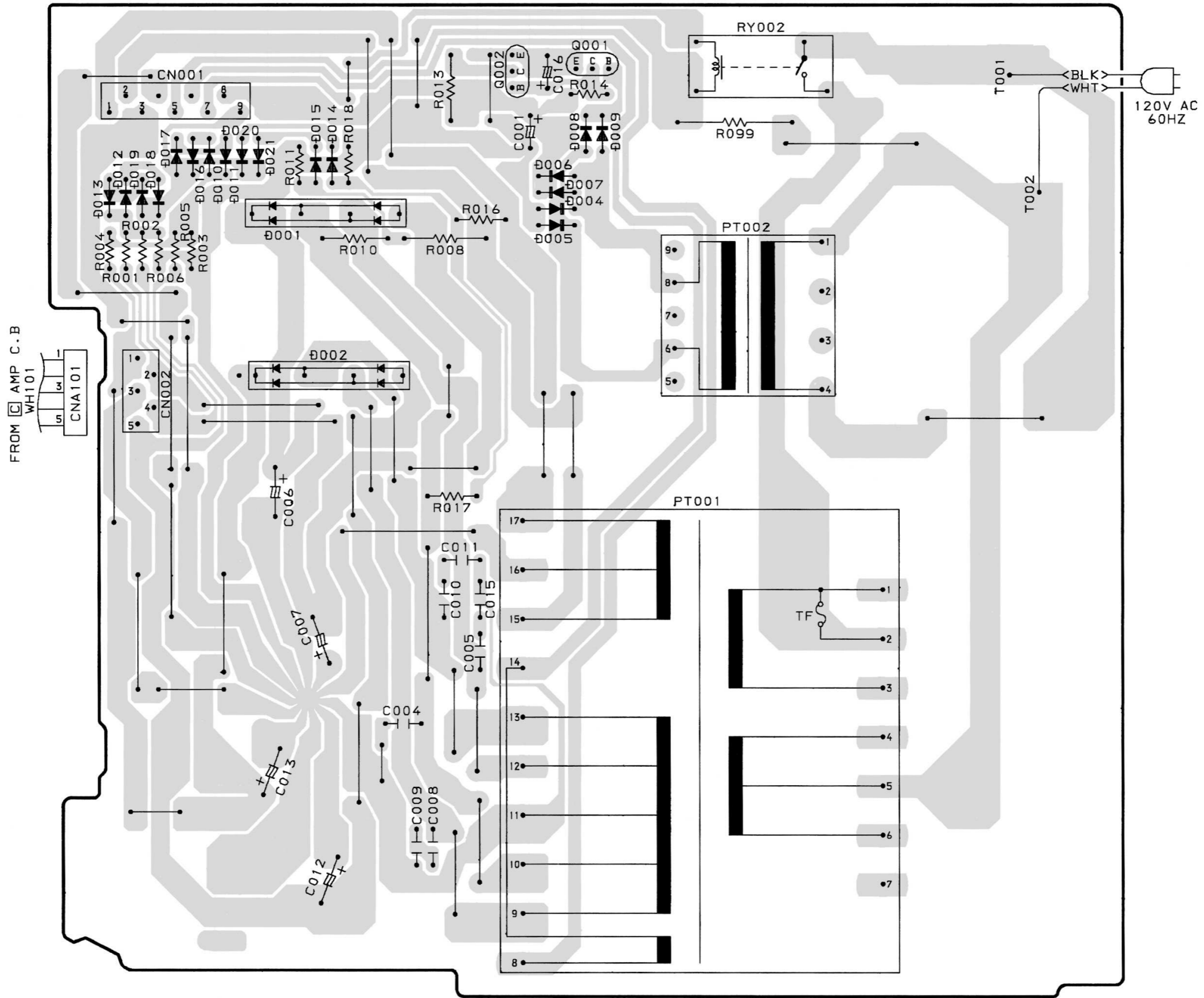
C AMP C.B <HS>

SCHEMATIC DIAGRAM - 6 (AMP)





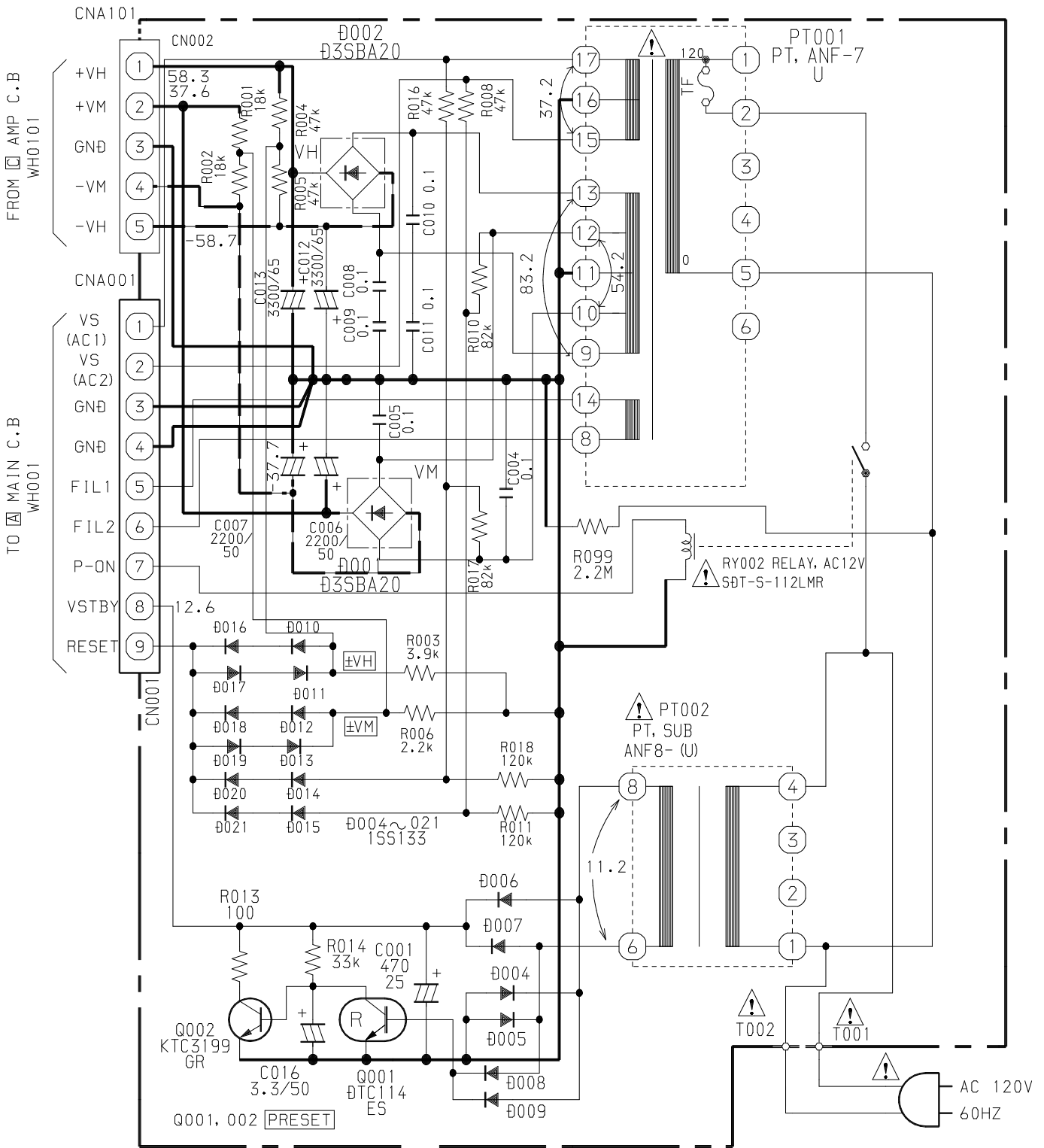
PT C.B <U>

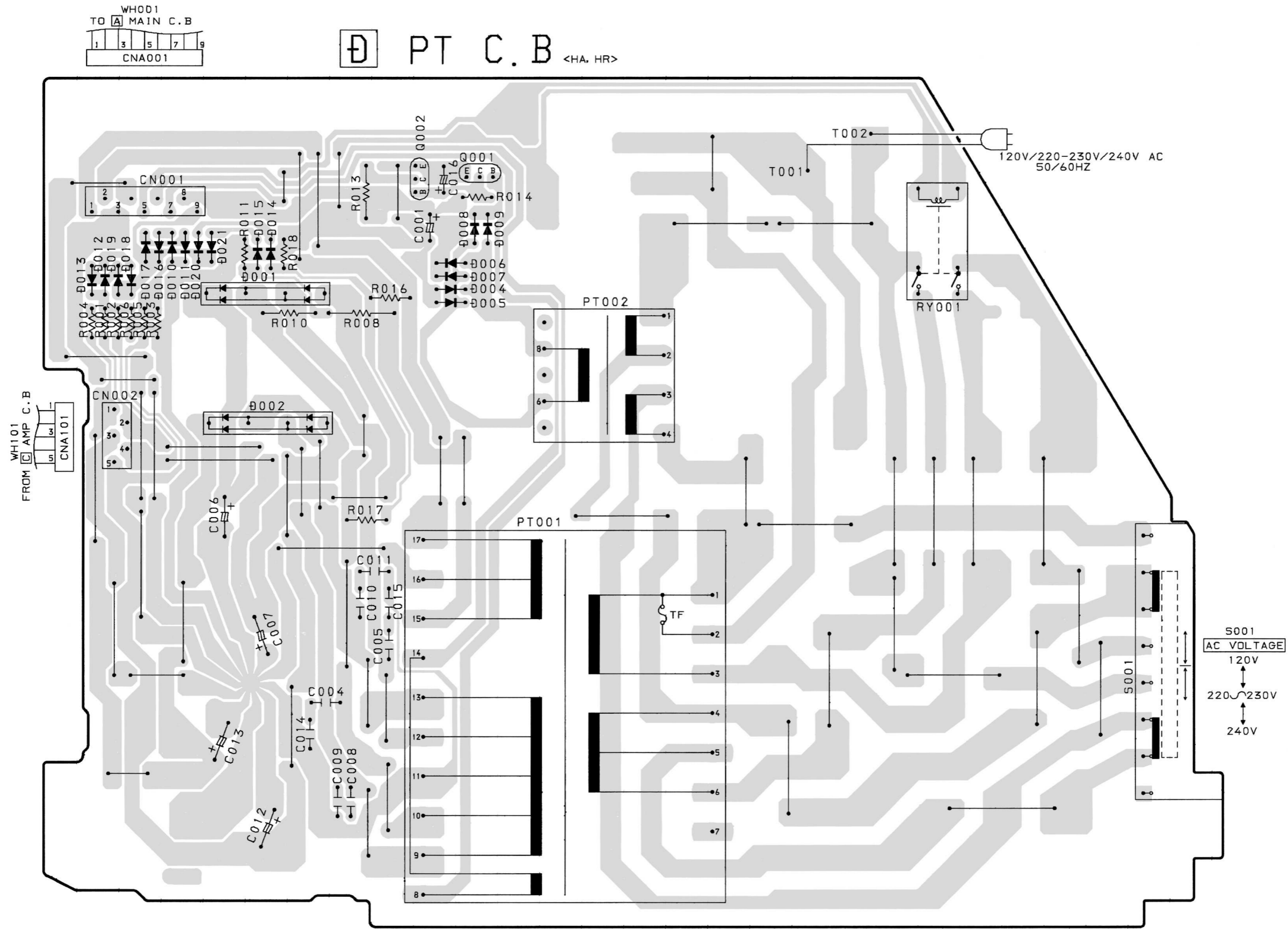


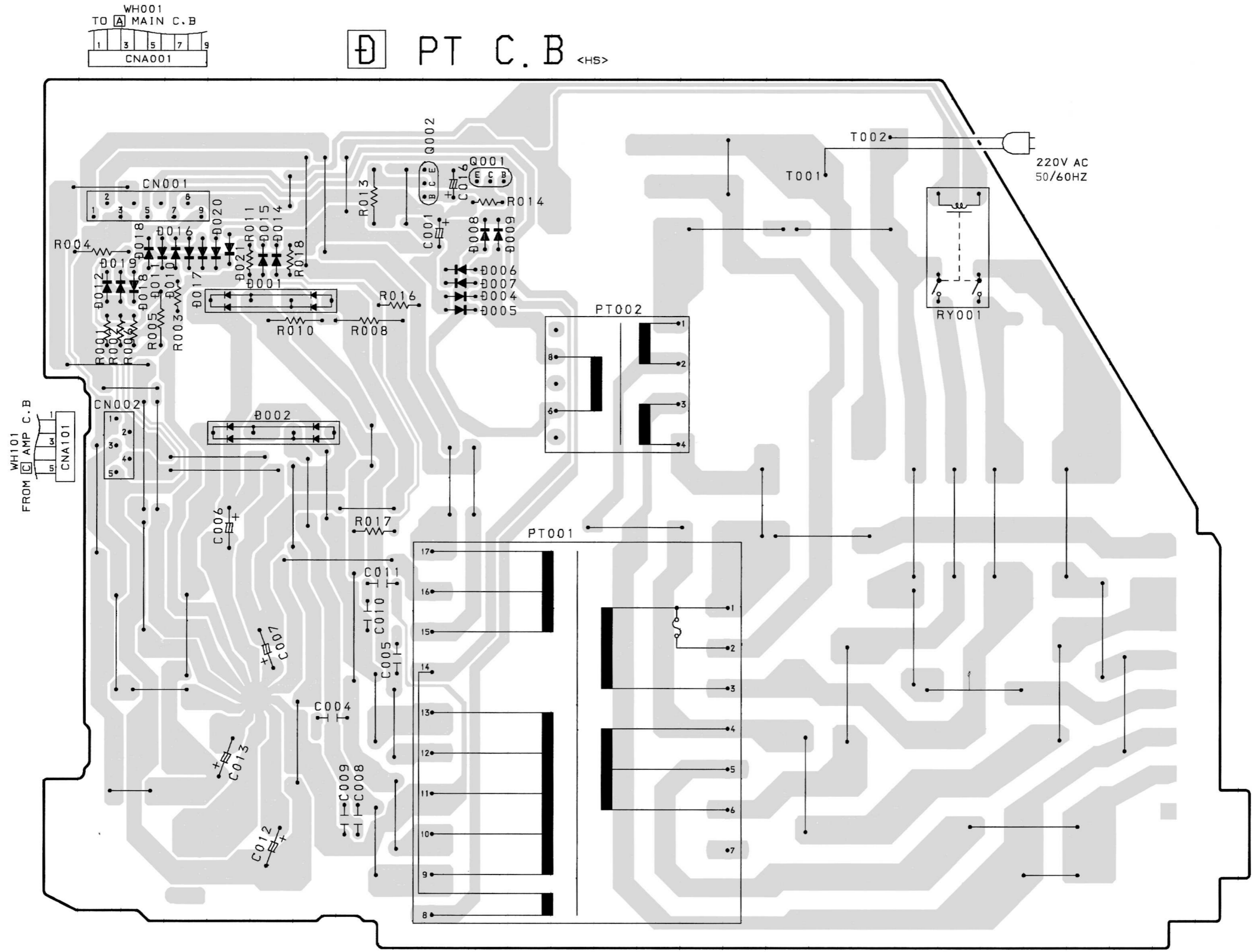
A
B
C
D
E
F
G
H
I
J
K
L
M
N
O
P
Q
R
S
T
U

SCHEMATIC DIAGRAM - 7 (PT: U)

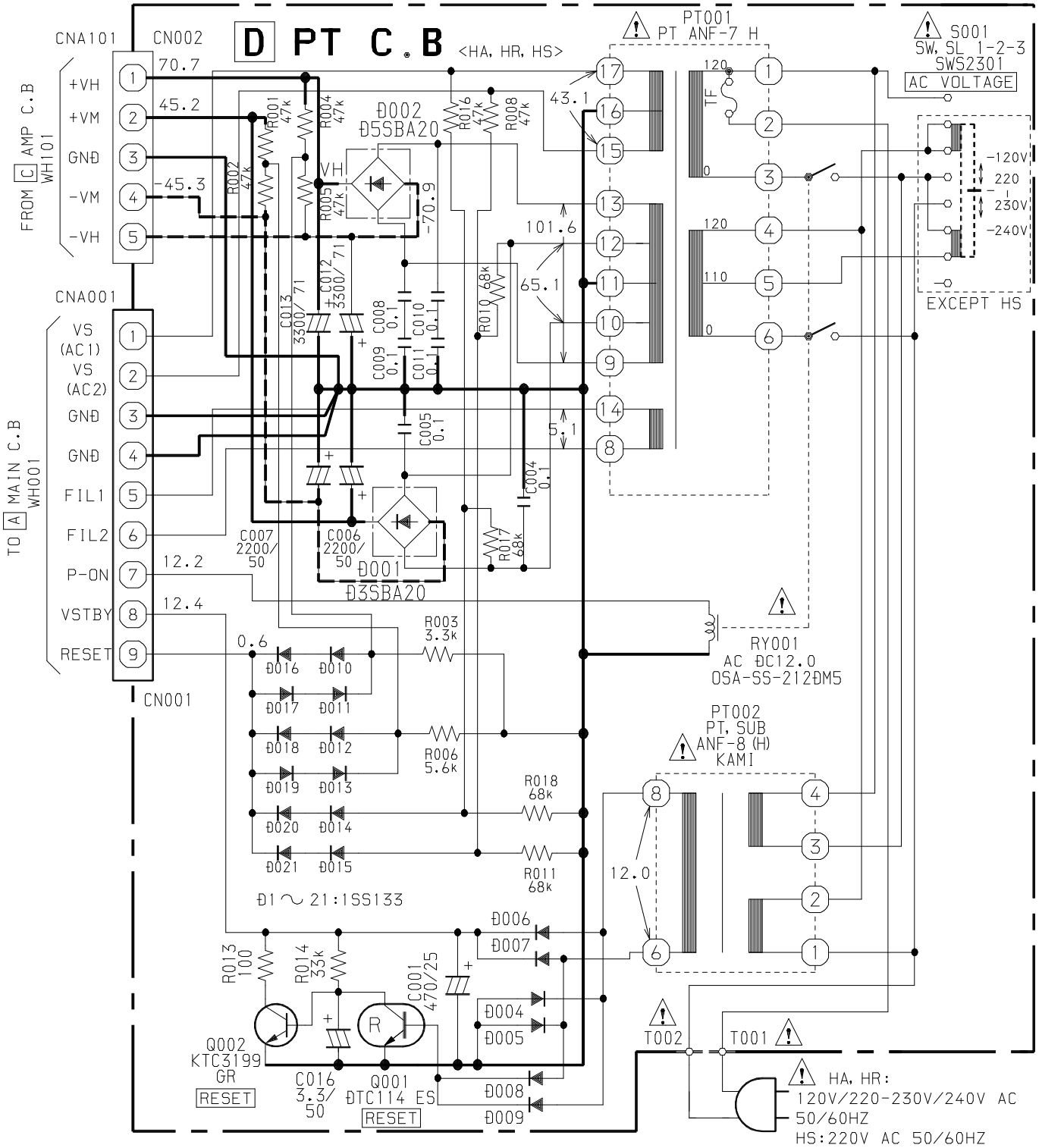
D PT C.B <U>







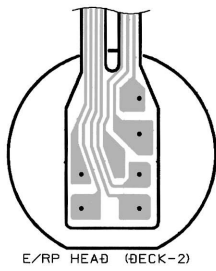
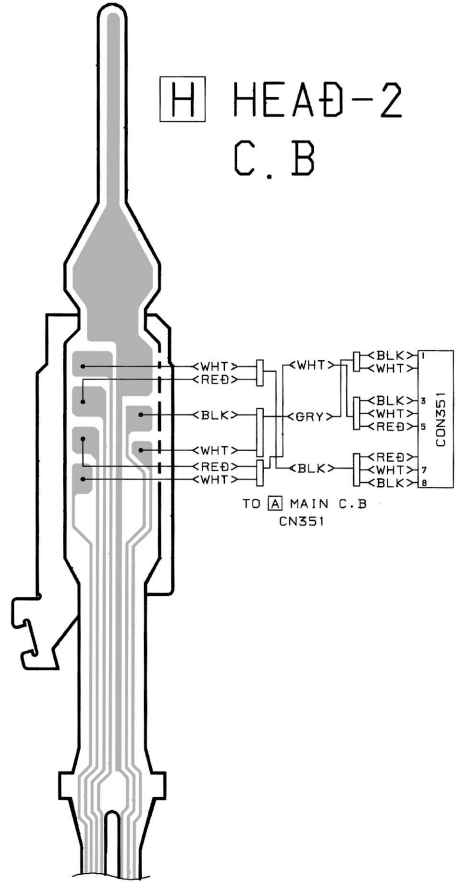
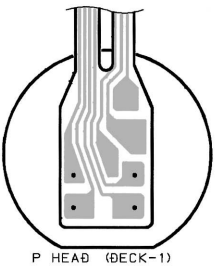
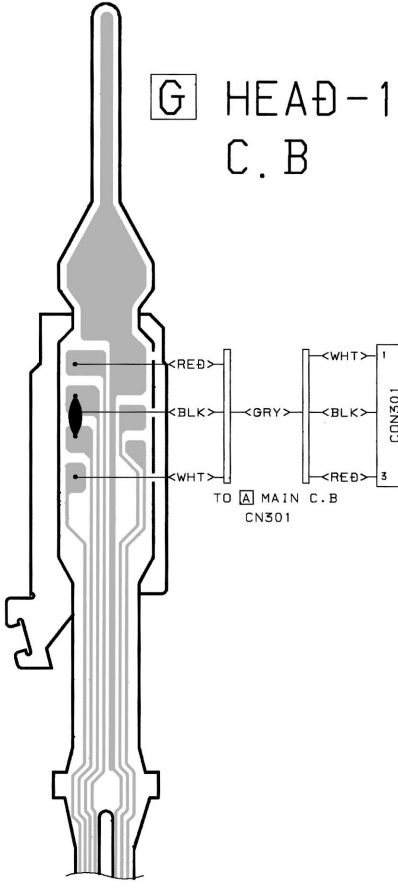
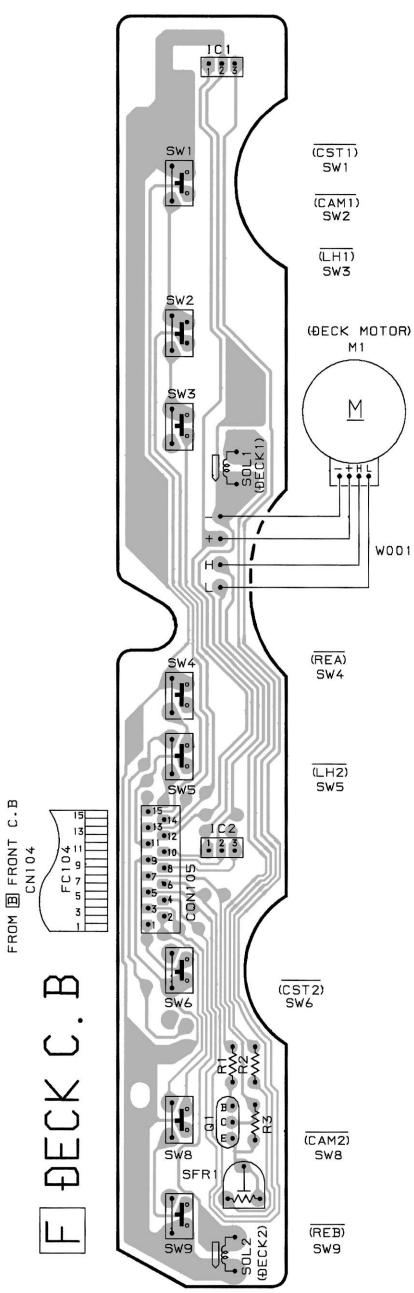
SCHEMATIC DIAGRAM - 8 (PT: HA,HR,HS)



WIRING - 11 (DECK / HEAD-1 / HEAD-2)

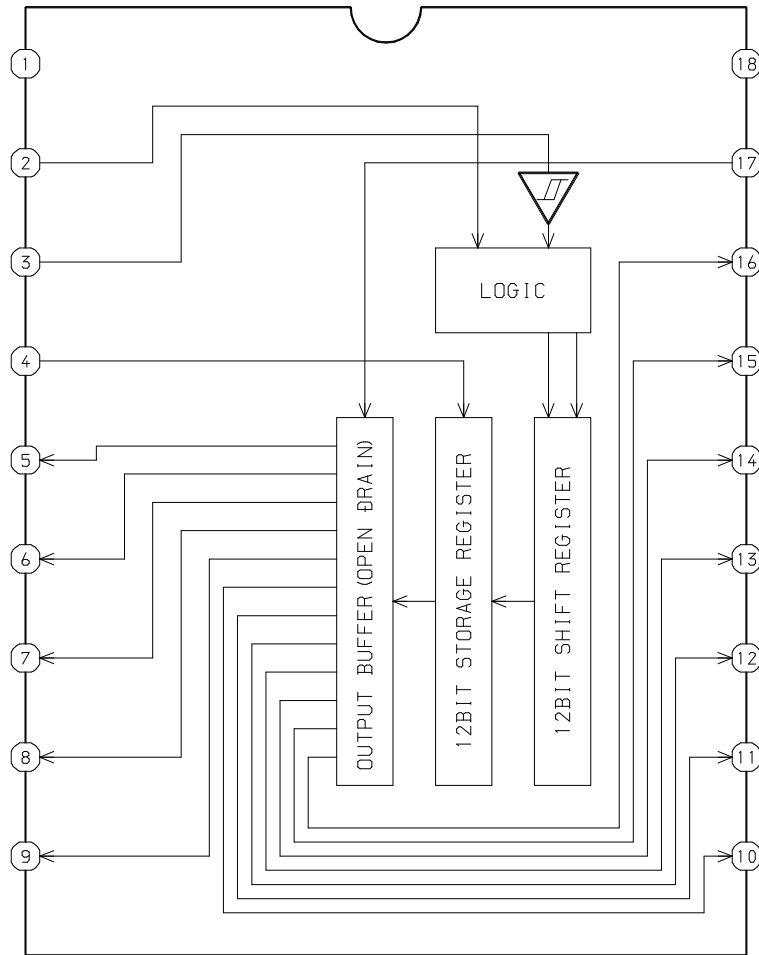
15	14	13	12	11	10	9	8	7	6	5	4	3	2	1
----	----	----	----	----	----	---	---	---	---	---	---	---	---	---

A
B
C
D
E
F
G
H
I
J
K
L
M
N
O
P
Q
R
S
T
U

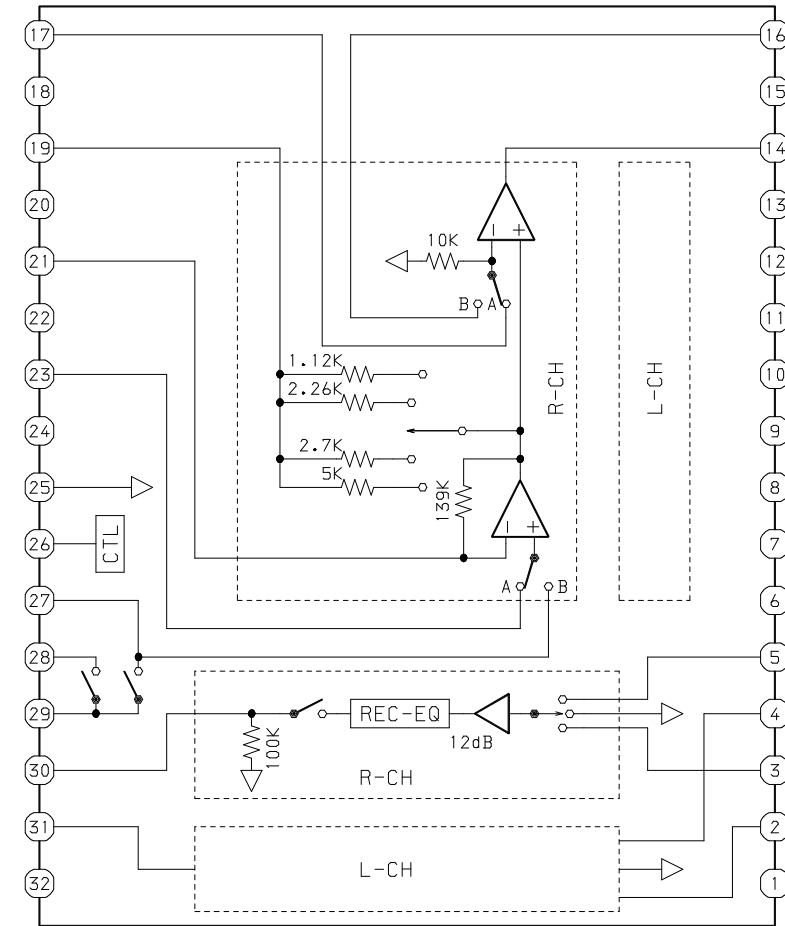


IC BLOCK DIAGRAM

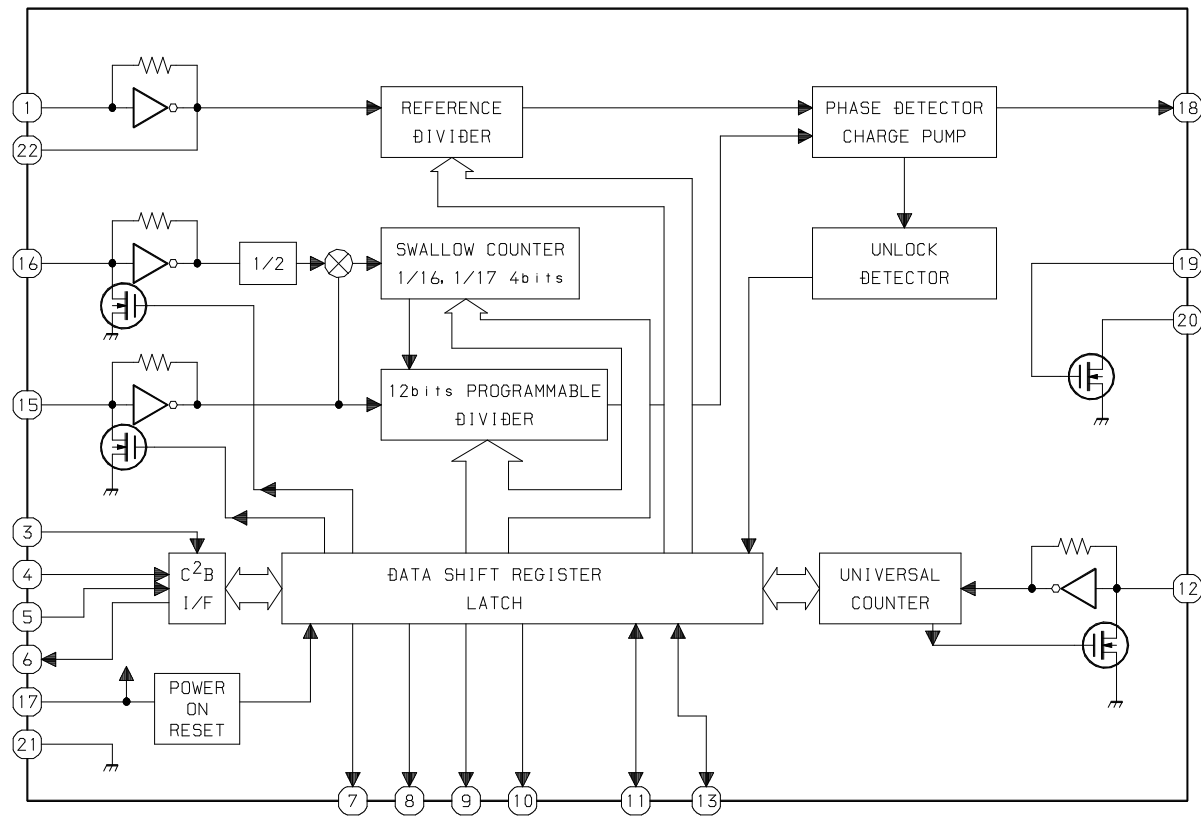
IC, BU2092F



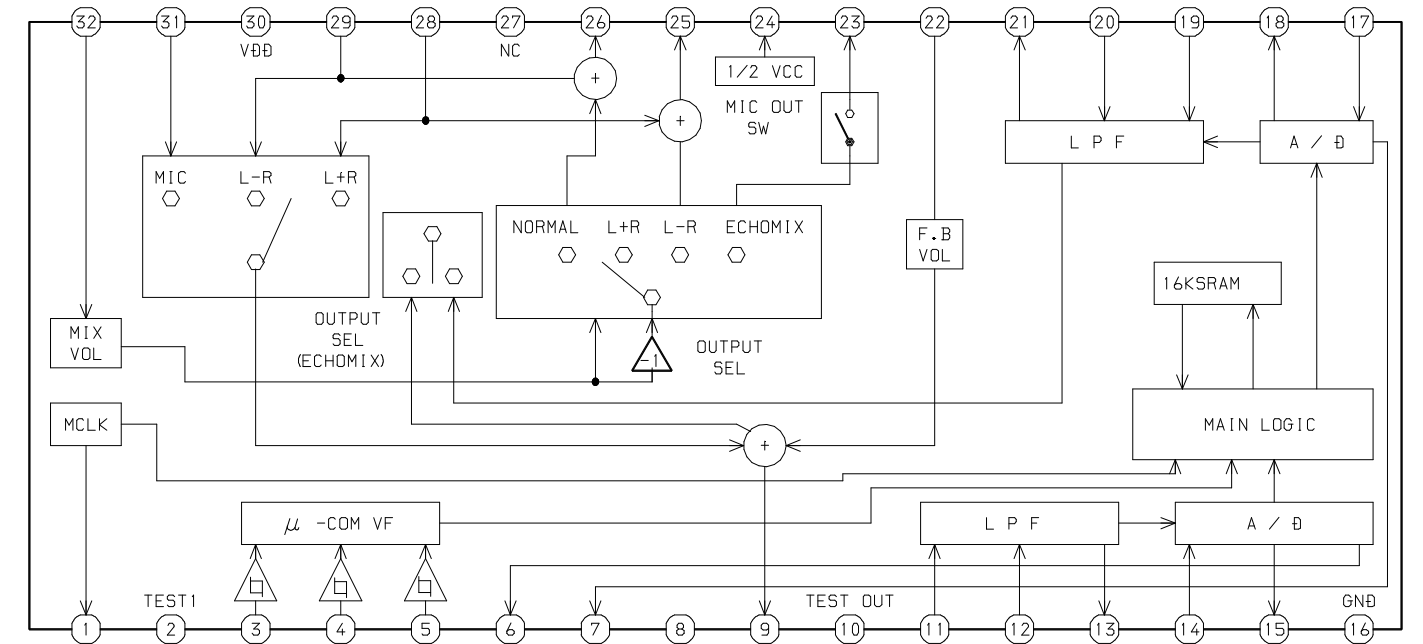
IC, BA7762AFS



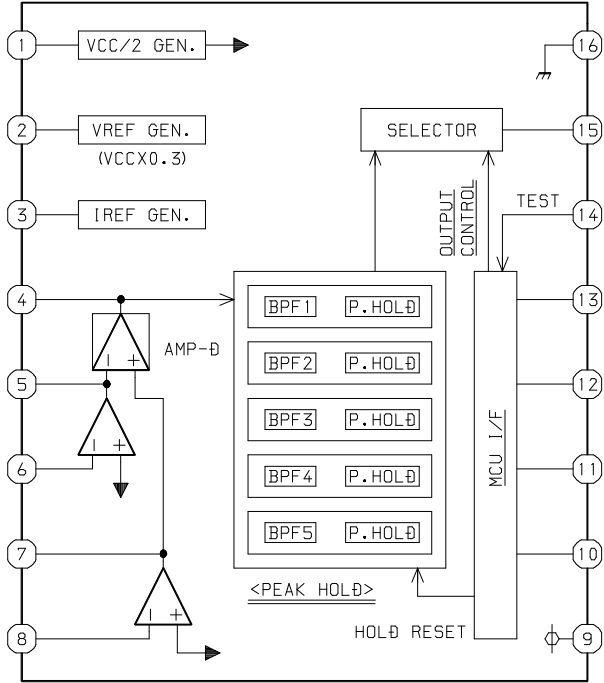
IC, LC72131D



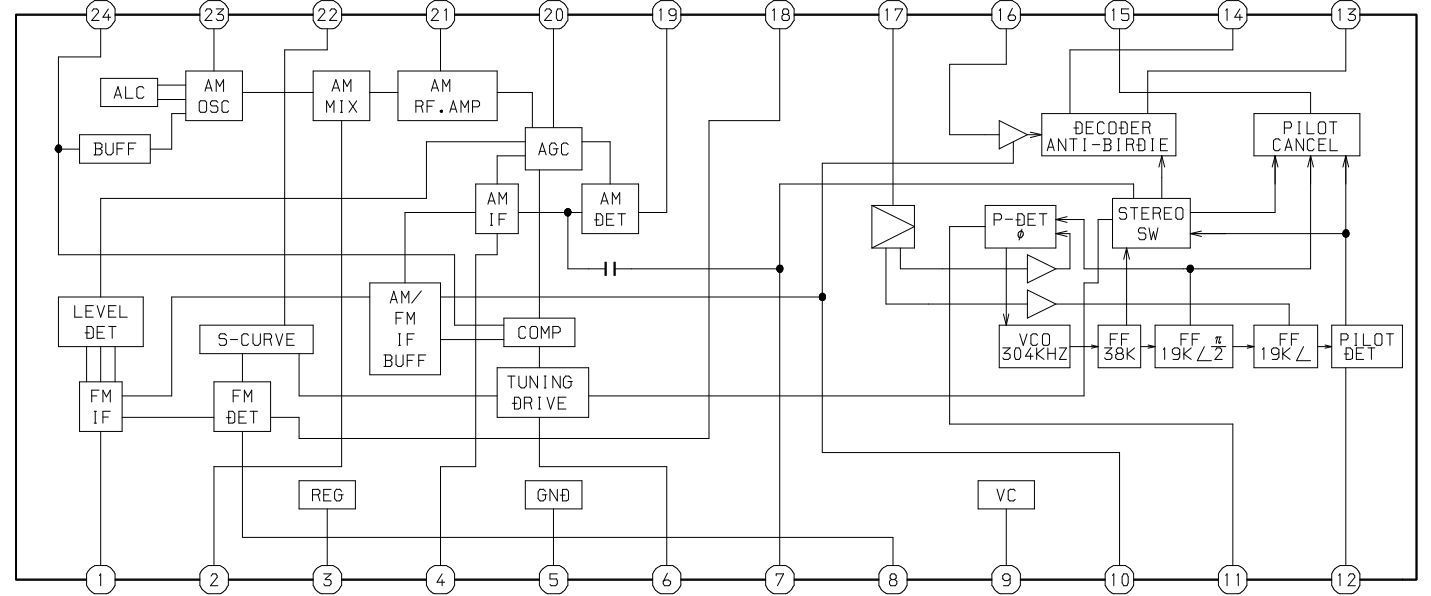
IC, M65849BFP631D



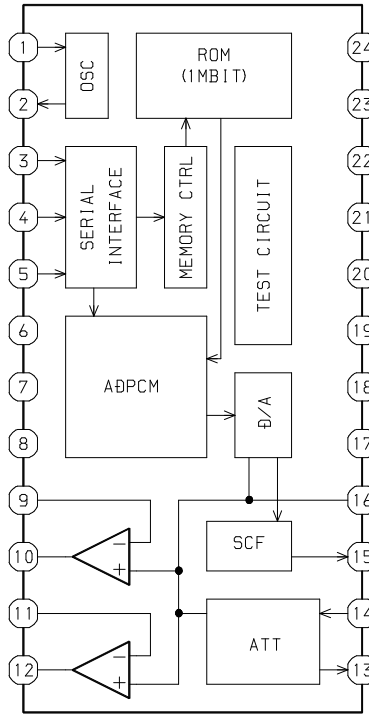
IC, M61506FP



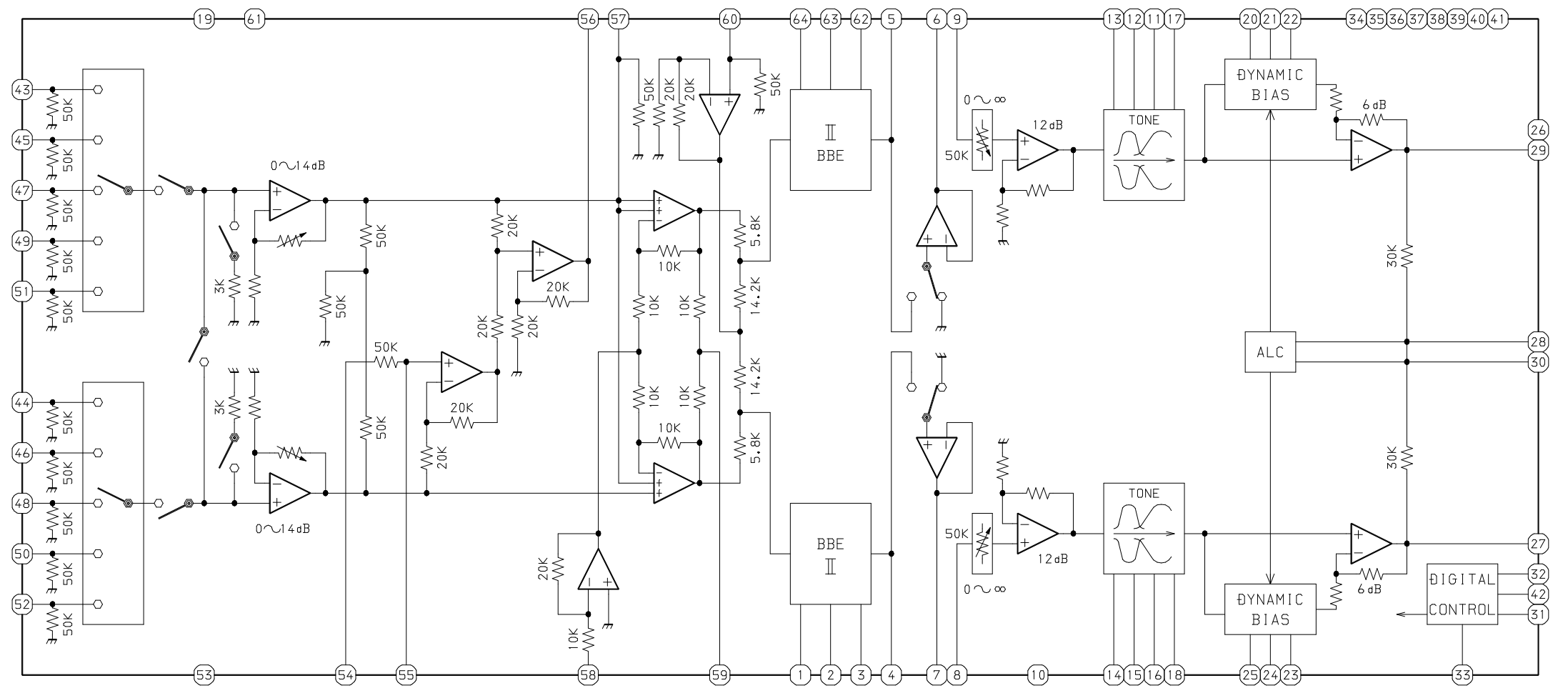
IC, LA1843



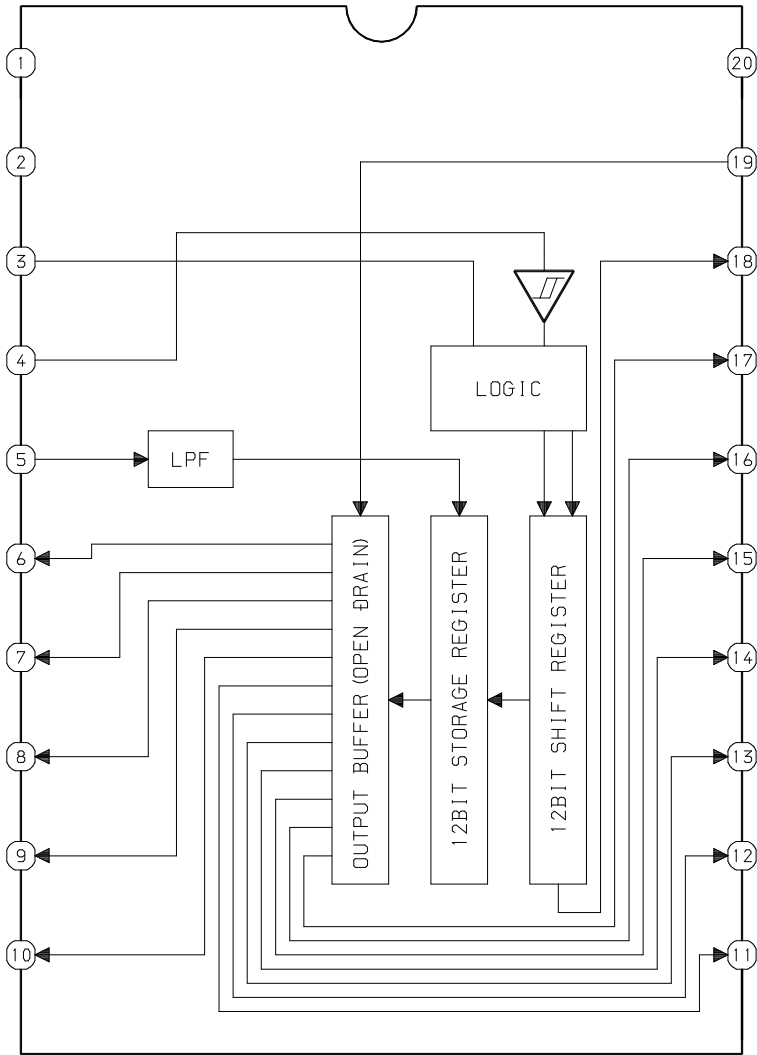
IC, BU9990-03FS



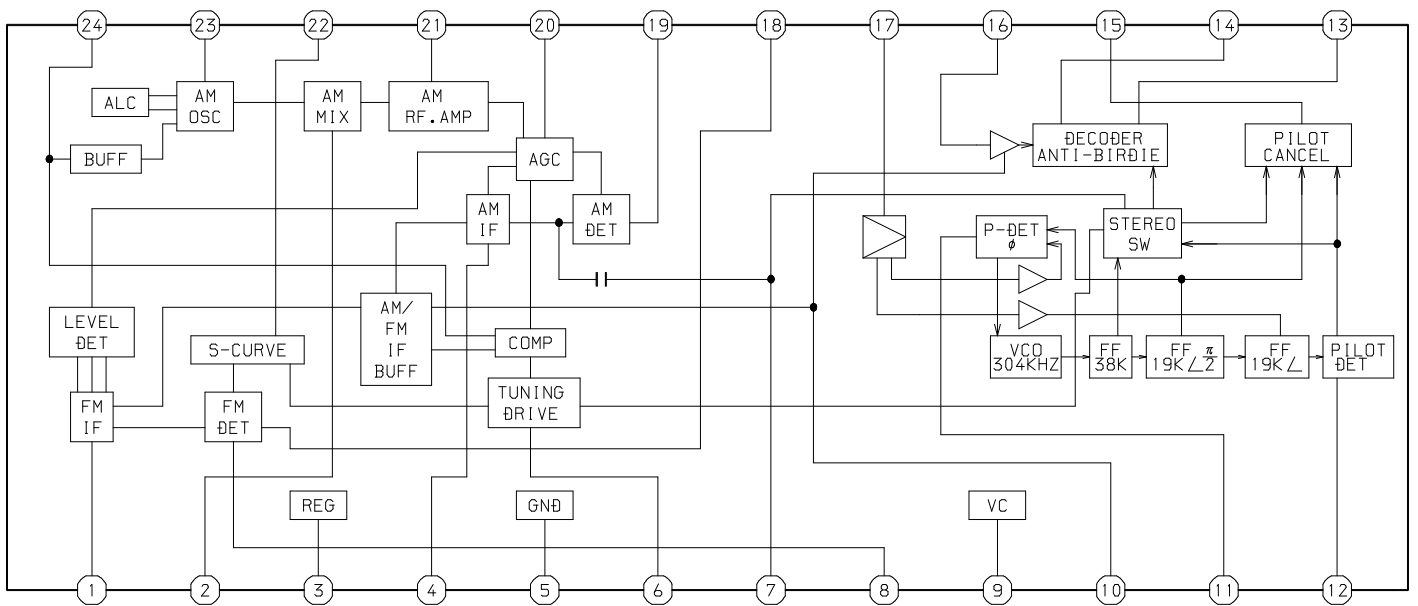
IC, B03876KS2



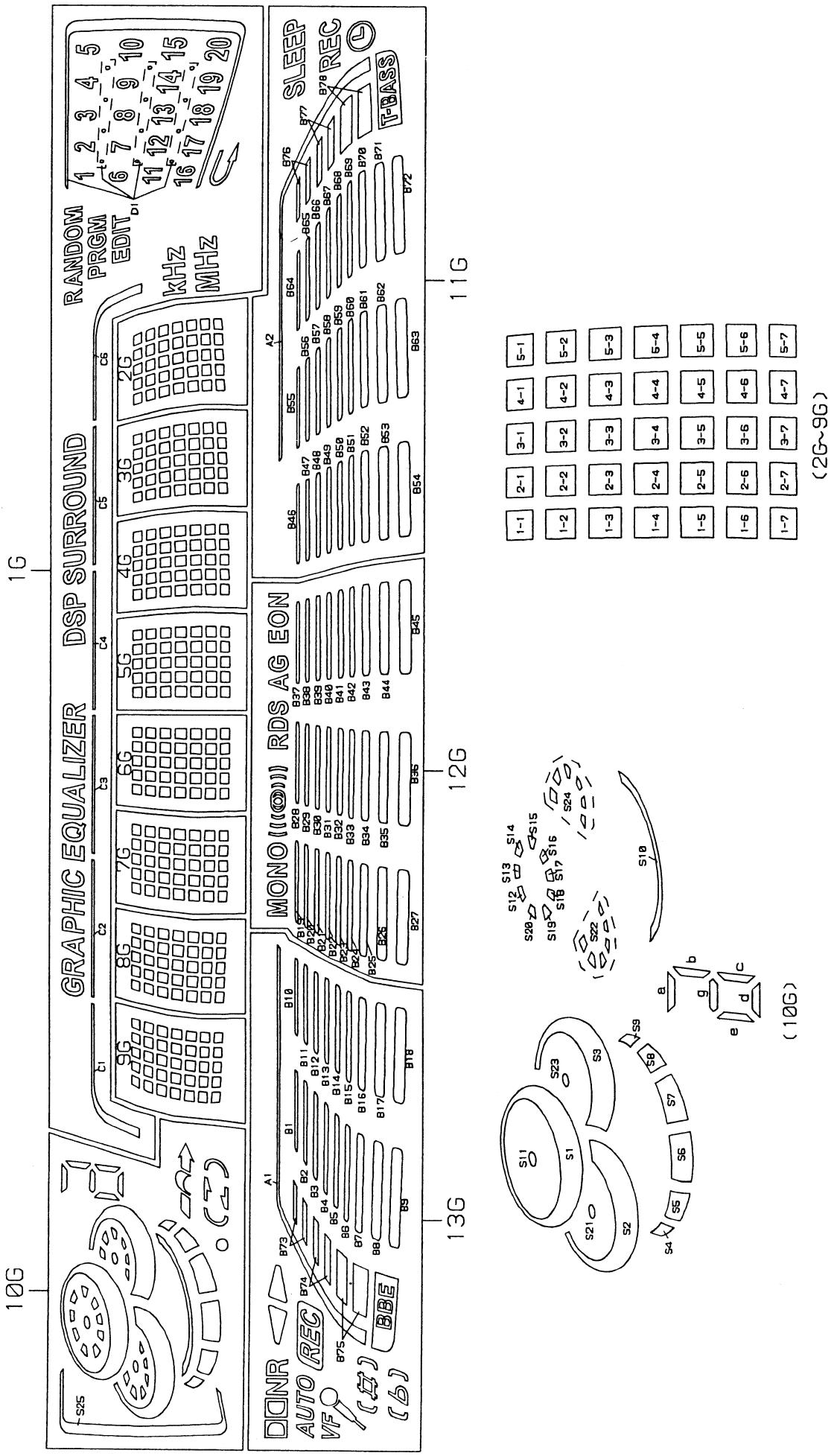
IC, BU2099FV



IC, LA1844L-A



FL (BJ754 GNK) GRID ASSIGNMENT AND ANODE CONNECTION
 GRID ASSIGNMENT



ANODE CONNECTION

	13G	12G	11G	10G	9G~2G	1G
P1		B27	B54	b	1-1	DSP SURROUND
P2		B36	B63	c	2-1	GRAPHIC EQUALIZER
P3		B45	B72	a, g, d	3-1	C6
P4		B26	B53	e	4-1	C5
P5		B35	B62	S1	5-1	C4
P6		B44	B71	S12	1-2	C3
P7		B25	B52	S13	2-2	C2
P8		B34	B61	S20	3-2	C1
P9		B43	B70	S14	4-2	RANDOM
P10	A1	B24	B51	S11	5-2	PRGM
P11		B33	B60	S19	1-3	EDIT
P12	B75	B42	B69	S15	2-3	
P13	B74	B23	B50	S18	3-3	KHz
P14	B73	B32	B59	S16	4-3	MHz
P15	B9	B41	B68	S17	5-3	16
P16	B18	B22	B49	S3	1-4	11
P17	B8	B31	B58	S24	2-4	6
P18	B17	B40	B67	S23	3-4	1
P19	B7	B21	B48	S2	4-4	17
P20	B16	B30	B57	S22	5-4	12
P21	B6	B39	B66	S21	1-5	7
P22	B15	B20	B47	S10	2-5	2
P23	B5	B29	B56	S9	3-5	18
P24	B14	B38	B65	S8	4-5	13
P25	B4	B19	B46	S7	5-5	8
P26	B13	B28	B55	S6	1-6	3
P27	B3	B37	B64	S5	2-6	19
P28	B12	MONO	T-BASS	S4	3-6	14
P29	B2		A2		4-6	9
P30	B11	RDS	B78		5-6	4
P31	B1	AG	B77		1-7	20
P32	B10	EON	B76		2-7	15
P33	-	-	SLEEP		3-7	10
P34	-	-	REC	S25	4-7	5
P35	-	-		-	5-7	D1

IC DESCRIPTION

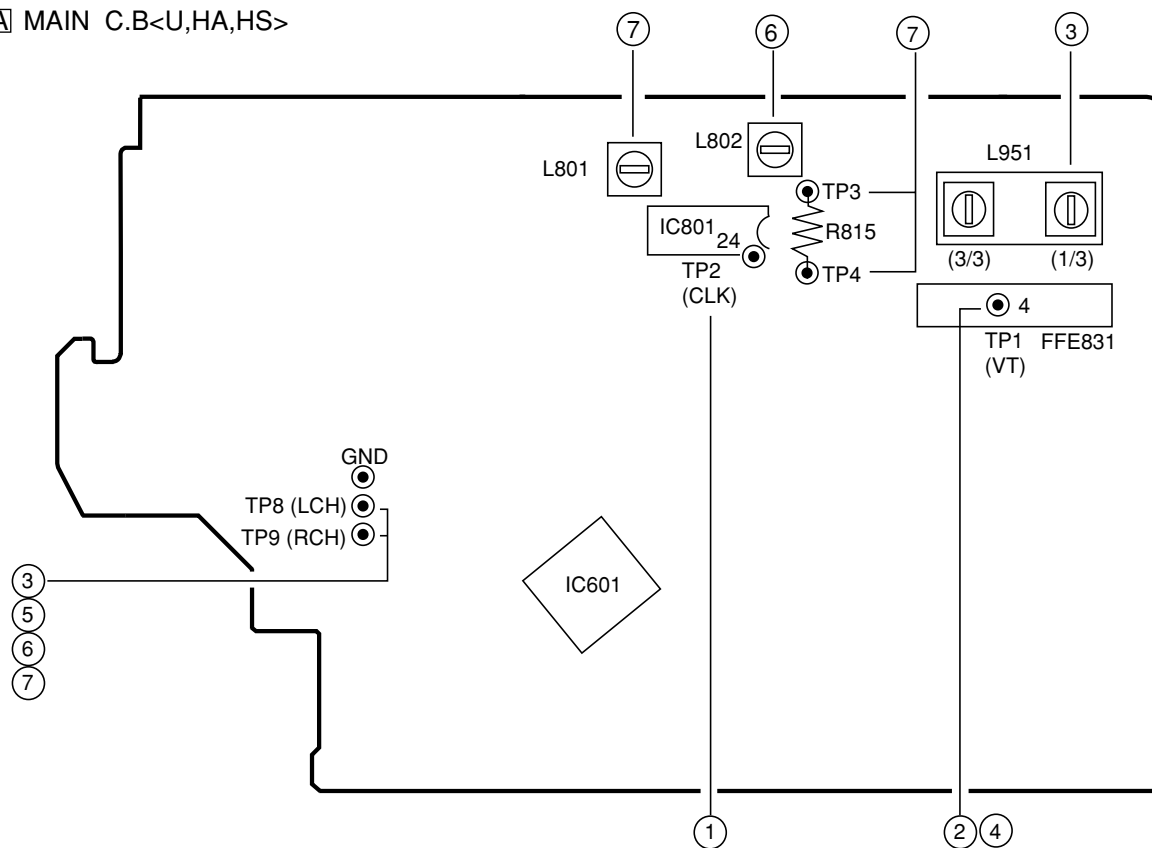
IC, LC876564W-5P35

Pin No.	Pin Name	I/O	Description
1	O-CLK	O	Common serial CLOCK output.
2	O-DATA	O	Common Serial DATA output.
3	O-STB	O	Common serial STROBE output.
4	O-POWER	O	System power ON/OFF output.
5	O-STB	O	Strobe output for shift register.
6	$\overline{\text{O-RYM-CS}}$	O	Chip select output for rhythm IC.
7	O-PLL-CE	O	Chip enable output for PLL.
8	I-STEREO	I	Stereo detect input.
9	$\overline{\text{O-CLK SHIFT}}$	O	Tuner clock shift output (active L).
10	$\overline{\text{I-HP-MUTE}}$	I	Headphones connect detect input.
11	$\overline{\text{RESET}}$	I	Reset input.
12	I-DISH	I	CD turn table photo sensor input.
13	I-SPEANA	I	Spectrum analyger level AD input.
14	VSS1	-	Connected to GND.
15	CF 1	-	9.43MHz oscillator circuit.
16	CF2		
17	VDD1	-	Power supply.
18	I-HOLD	I	Power supply voltage detect A/D input.
19 ~ 21	KEY 1 ~ 3	I	KEY 1 ~ 3 A/D input.
22	I-CDSW	I	CD mechanism SW A/D input.
23	I-RTVR	I	Rotary encorder A/D input for VR.
24	I-JOG	I	Rotary encorder A/D input for MULTI JOG.
25	I-MIC	I	MIC input for auto vocal fader.
26	$\overline{\text{I-MS}}$	I	DECK MS detect input
27	I-TM-BASE	I	Timebase clock (8Hz) input.
28	I-WRQ	I	CD WRQ input.
29	$\overline{\text{I-RMC}}$	I	Remote control signal input. Active: "L".
30 ~ 42	G13 ~ G1	O	FL grid G13 ~ G1 output.
43 ~ 45	P35 ~ P33	O	FL segment P35 ~ P33 output.
46	VDD3	-	Power supply.
47	P32/SPEANA A	O	FL segment P32 output / Spectrum analyger band select output (A) .
48	P31/SPEANA B	O	FL segment P31 output / Spectrum analyger band select output (B) .
49	P30/SPEANA C	O	FL segment P30 output / Spectrum analyger band select output (C).
50	P29/ $\overline{\text{BEAT-M}}$	O/I	FL segment P29 output / Beat master less diode input (not used).
51	-VP	-	Connected to -VFL.
52	P28/AM-ST	O/I	FL segment P28 output / AM-STEREO diode input (not used).
53	P27/LW	O/I	FL segment P27 output / LW diode input (not used).
54	P26/SW	O/I	FL segment P26 output / SW diode input (not used).
55	P25/FM1	O/I	FL segment P25 output / FM1 diode input (not used).
56	P24/KASINO	O/I	FL segment P24 output / Initial KASINO DEMO diode input.
57	P23/ECO	O/I	FL segment P23 output / Initial ECO mode less diode input.

Pin No.	Pin Name	I/O	Description
58	P22/ $\overline{\text{DSP}}$	O/I	FL segment P22 output / DSP less diode input.
59	P21/PRO/5.1	O/I	FL segment P21 output / PRO-LOGIC 5.1CH diode input (not used).
60	P20	O	FL segment P20 output.
61	P19/DOBLY	O/I	FL segment P19 output / Deck DOBLY diode input (not used).
62	P18	O	FL segment P18 output.
63	P17/AM10K	O/I	FL segment P17 output / AM10 change diode input (not used).
64	P16/ $\overline{\text{CST2}}$	O/I	FL segment P16 output / Deck 2 cassette detect sw input.
65	P15/REB	O/I	FL segment P15 output / Deck side B record permission sw input.
66	P14/CAM2	O/I	FL segment P14 output / Deck 2 CAM sw input.
67	P13/AUTO1	O/I	FL segment P13 output / Deck 1 auto stop input.
68	P12/AUTO2	O/I	FL segment P12 output / Deck 2 auto stop input.
69	P11/ $\overline{\text{CAM1}}$	O/I	FL segment P11 output / Deck 1 CAM sw input.
70	P10/CST1	O/I	FL segment P10 output / Deck 1 cassette detect sw input.
71	P9/ $\overline{\text{REA}}$	O/I	FL segment P9 output / Deck side A record permission sw input.
72	VDD4	-	Power supply.
73	P8/ $\overline{\text{AC-DEMO}}$	O/I	FL segment P8 output / Demo less diode input.
74 ~ 80	P7 ~ 1	O	FL segment output (P7 ~ 1).
81	NC	-	Not connected.
82	O-TRAY CLOSE	O	CD tray close output.
83	O-TRAY OPEN	O	CD tray open output.
84	I-SUBQ	O	CD SUBQ detect input.
85	O-DISH-FWD	O	CD turn table forward revolution output.
86	O-DISH-REV	O	CD turn table reverse revolution output.
87	O-DATA	O	CD data output.
88	$\overline{\text{O-LED-STBY}}$	O	STBY LED on output (STBY LED on during O-POWER OFF).
89	VSS2	-	Connected to GND.
90	VDD2	-	Power supply.
91	$\overline{\text{O-MOTOR}}$	O	DECK motor output.
92	O-MUTE	O	System mute ON/OFF output.
93	$\overline{\text{O-SOL1}}$	O	DECK1 plunger $\overline{\text{ON}}$ /OFF output.
94	$\overline{\text{O-SOL2}}$	O	DECK2 plunger $\overline{\text{ON}}$ /OFF output.
95	I-DRF	I	CD DRF input.
96	I-IFC	I	Tuner IFC input.
97	NC	-	Not connected.
98	O-CD CLK	O	CD CLK output.
99	O-CD-CE	O	CD CD output.
100	O-KSCAN	O	Key scan timing output.

ADJUSTMENT - 1 (TUNER: U,HA,HS)

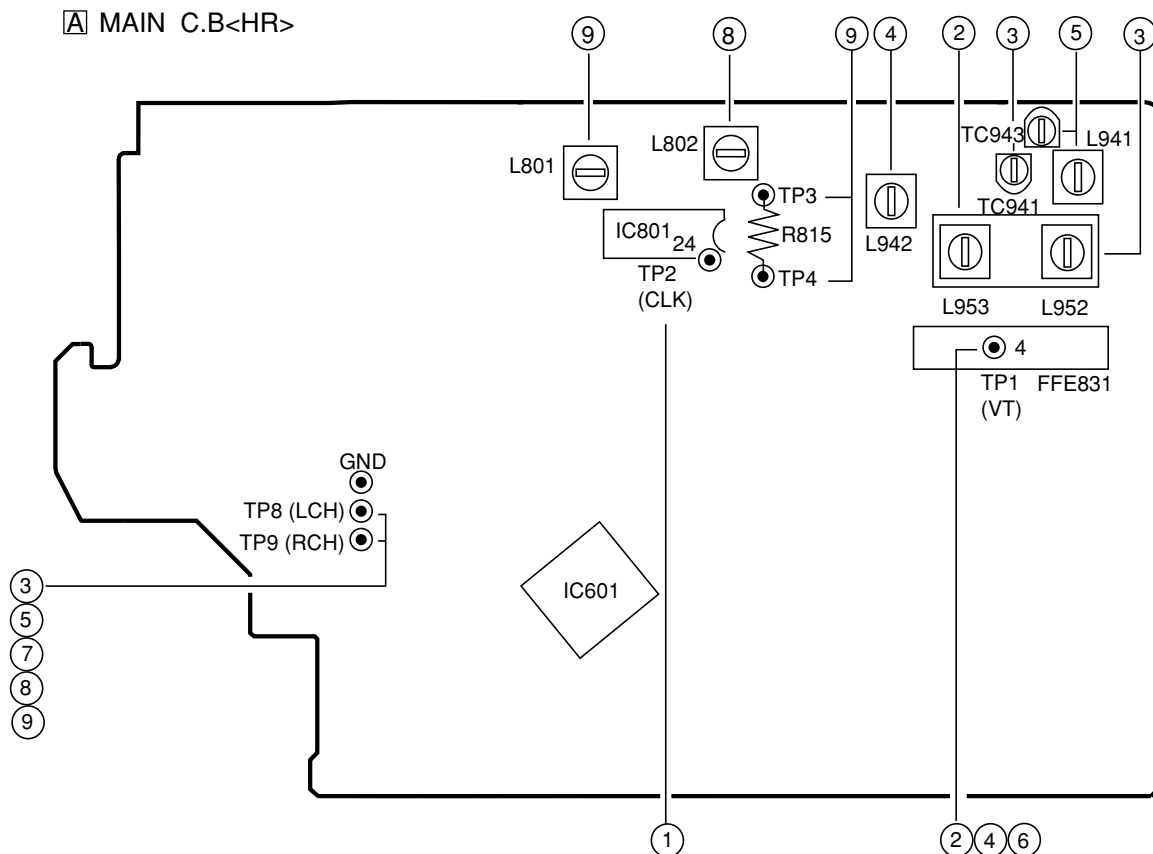
Ⓐ MAIN C.B<U,HA,HS>



< TUNER SECTION >

1. Clock Frequency Check
 - Settings : • Test point : TP2 (CLK)
 - Method : Set to AM 1710kHz and check that the test point is 2160kHz \pm 45Hz.
2. AM VT Check
 - Settings : • Test point : TP1 (VT)
 - Method : Set to AM 1710kHz and AM 530kHz and check that the test point is less than 8.5V(1710kHz) and more than 0.6V(530kHz).
3. AM Tracking Adjustment
 - Settings : • Test point : TP8(Lch), TP9(Rch)
 - Adjustment location : L951(1/3)..... 999kHz
 - Method : Set to AM 999kHz and adjust L951(1/3) so that the test point is max.
4. FM VT Check
 - Settings : • Test point : TP1 (VT)
 - Method : Set to FM 108.0MHz and check that the test point is less than 8.0V. Set to FM 87.5MHz and check that the test point is more than 0.5V.
5. FM Tracking Check
 - Settings : • Test point : TP8(Lch), TP9(Rch)
 - Method : Set to FM 98.0MHz and check that the test point is less than 9.0dB μ V.
6. AM IF Adjustment
 - Settings : • Test point : TP8(Lch), TP9(Rch)
 - Adjustment location : L802
 - Input level : Variable
 - Method : Adjust L802 so that the output becomes max.
7. DC Balance / Mono Distortion Adjustment
 - Settings : • Test point : TP3, TP4 (DC Balance)
TP8(Lch), TP9(Rch) (Distortion)
 - Adjustment location : L801
 - Input level : 60dB μ V
 - Method : Set to FM 98.0MHz and adjust L801 so that the voltage between TP3 and TP4 becomes 0V \pm 0.3V. Next, check that the distortion is minimum.

ADJUSTMENT - 2 (TUNER: HR)

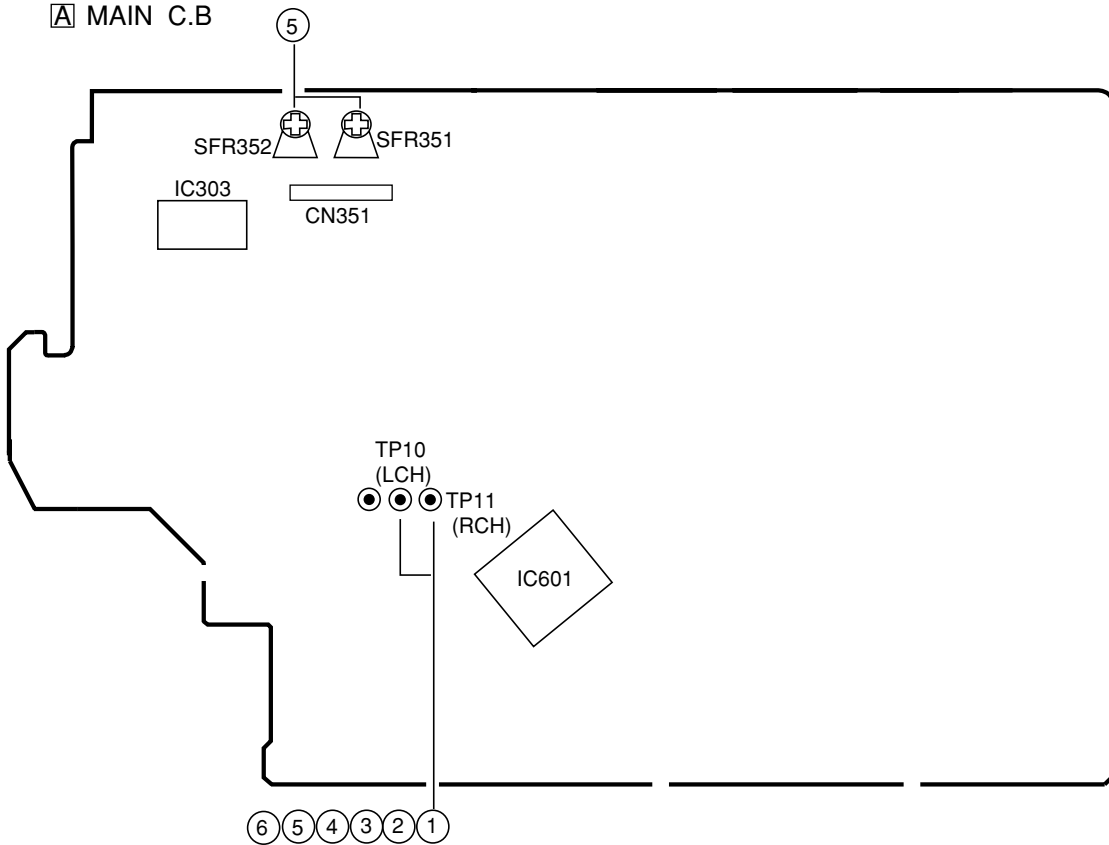


< TUNER SECTION >

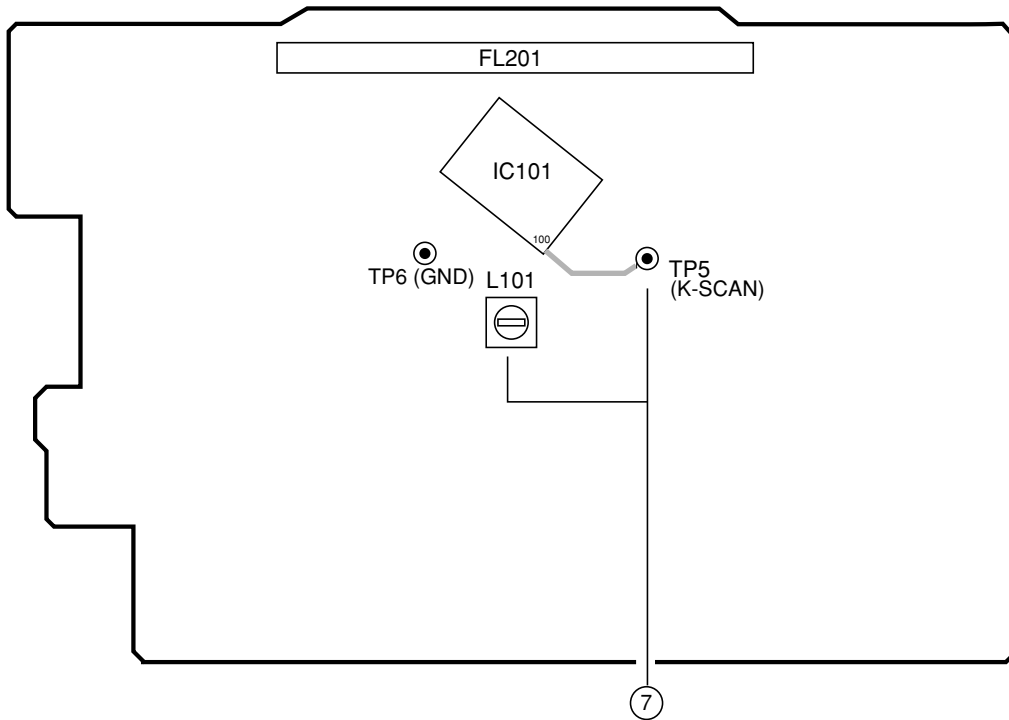
1. Clock Frequency Check
 - Settings : • Test point : TP2 (CLK)
 - Method : Set to MW 1602kHz and check that the test point is 2052kHz \pm 45Hz.
2. MW VT Check
 - Settings : • Test point : TP1 (VT)
 - Adjustment location : L953
 - Method : Set to MW 1602kHz and adjust L953 so that the test point become 8.0V \pm 0.05V. Then set to MW 531kHz and check that the test point is more than 0.3V.
3. MW Tracking Adjustment
 - Settings : • Test point : TP8(Lch), TP9(Rch)
 - Adjustment location :
 - L952..... 603kHz
 - TC941..... 1404kHz
 - Method : Set up TC941 to center before adjustment. Adjust L952 so that level at 603kHz become maximum. Then adjust TC941 so that the level at 1404kHz becomes maximum.
4. SW VT Adjustment
 - Settings : • Test point : TP1(VT)
 - Adjustment location : L942
 - Method : Set to SW 17.9MHz and adjust L942 so that the test point becomes 7.0V \pm 0.05V. Then set to SW 5.9MHz and check that the test point is more than 0.3V.
5. SW Tracking Adjustment
 - Settings : • Test point : TP8(Lch), TP9(Rch)
 - Adjustment location :
 - L941..... 5.9MHz
 - TC943..... 17.9MHz
 - Method : Set up TC943 to center before adjustment. Adjust L941 so that level at 5.9MHz becomes maximum. Then adjust TC943 so that the level at 17.9MHz becomes maximum.
6. FM VT Check
 - Settings : • Test point : TP1(VT)
 - Method : Set to FM 108.0MHz and check that the test point is less than 8.0V. Then set to FM 87.5MHz and check that the test point is more than 0.5V.
7. FM Tracking Check
 - Settings : • Test point : TP8(Lch), TP9(Rch)
 - Method : Set to FM 98.0MHz and check that the test point is less than 9.0dB μ V.
8. AM IF Adjustment
 - Settings : • Test point : TP8(Lch), TP9(Rch)
 - Adjustment location : L802
 - Input level : Variable
 - Method : Adjust L802 so that the output becomes maximum.
9. DC Balance / Mono Distortion Adjustment
 - Settings : • Test point :
 - TP3, TP4(DC Balance)
 - TP8(Lch), TP9(Rch)(Distortion)
 - Adjustment location : L801
 - Input level : 60dB μ V
 - Method : Set to FM 98.0MHz and adjust L801 so that the voltage between TP3 and TP4 becomes 0V \pm 0.3V. Next, check that the distortion is minimum.

ADJUSTMENT - 3 (DECK / FORNT)

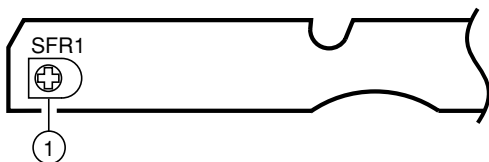
A MAIN C.B



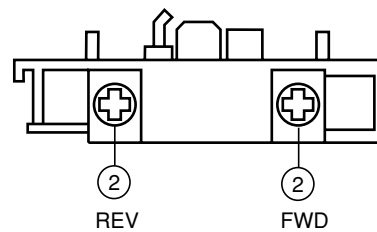
B FRONT C.B



E DECK C.B



DECK-1 P, DECK-2 R/P/E HEAD

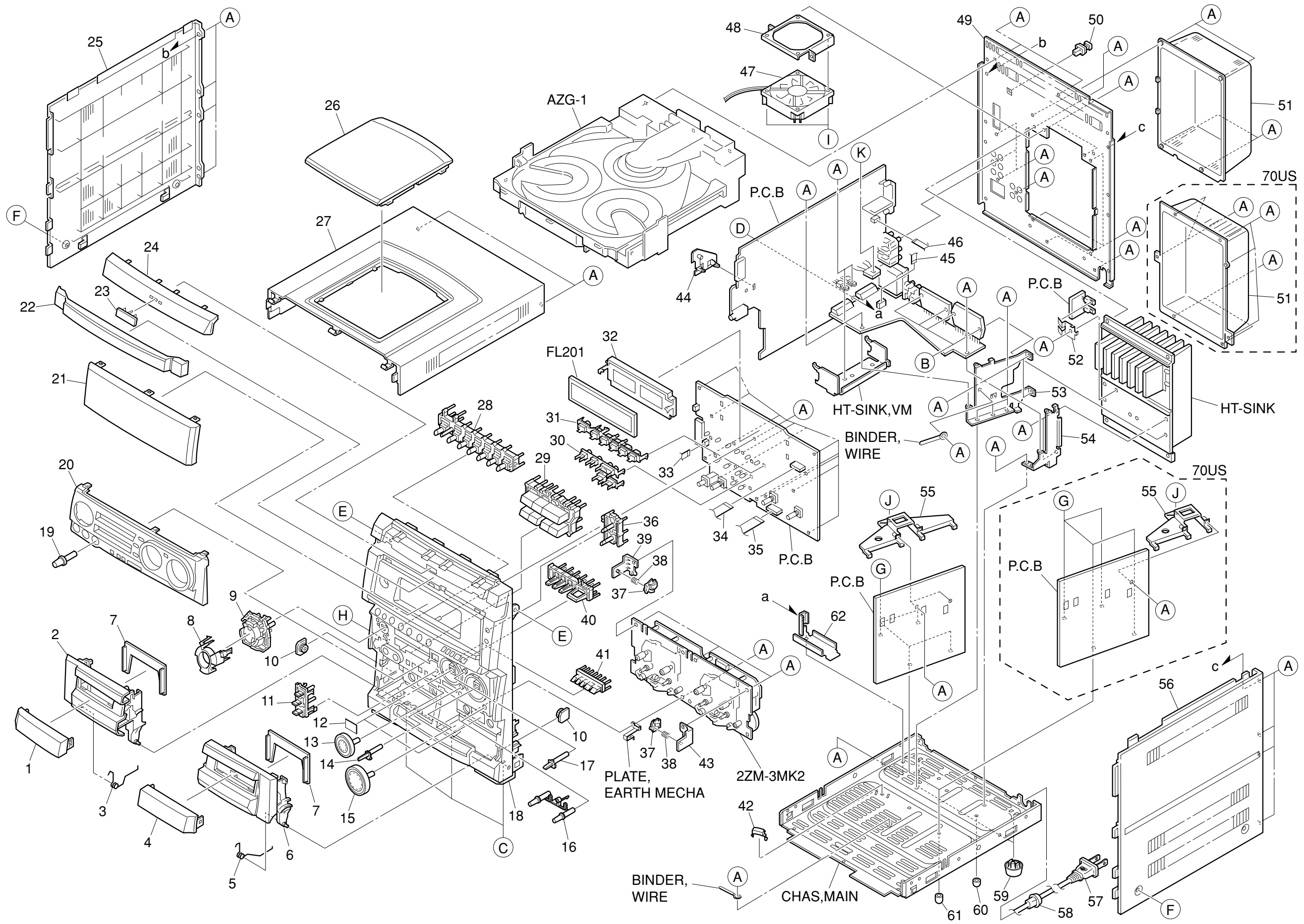


< DECK SECTION >

1. Tape Speed Adjustment (DECK 2)
Settings : • Test tape : TTA-100(3kHz)
• Test point : TP10(Lch), TP11(Rch)
• Adjustment location : SFR1
Method : Play back the test tape and adjust SFR1 so that the frequency counter reads 3000Hz \pm 5Hz(FWD) and \pm 45Hz(REV) with respect to forward speed.
2. Head Azimuth Adjustment (DECK 1, DECK 2)
Settings : • Test tape : TTA-300 (315/10kHz)
• Test point : TP10(Lch), TP11(Rch)
• Adjustment location : Head azimuth adjustment screw
Method : Play back the 10kHz signal of the test tape and adjust screw so that the output becomes maximum. Next, perform on each FWD PLAY and REV PLAY mode.
3. PB Frequency Response Check (DECK 1, DECK 2)
Settings : • Test tape : TTA-300 (315/10kHz)
• Test point : TP10(Lch), TP11(Rch)
Method : Play back the 315Hz and 10kHz signals of the test tape and check that the output ratio of the 10kHz signal with respect to that of the 315Hz signal is within 0 ± 3 dB.
4. REC/PB Frequency Response Adjustment (DECK 2)
Settings : • Test tape : TTA-602 (Normal)
• Test point : TP10(Lch), TP11(Rch)
• Input signal : 1kHz / 10kHz (LINE IN)
• Adjustment location :
SFR351 (Lch)
SFR352 (Rch)
Method : Apply a 1kHz signal and REC mode. Then adjust OSC attenuator so that the output level at the test points becomes 9.0mV. Record and play back the 1kHz and 10kHz signals and adjust SFRs so that the output level of the 10kHz signals becomes 0dB \pm 0.5dB with respect to that of the 1kHz signal.
5. REC/PB Frequency response Check (DECK 2)
Settings : • Test tape : TTA-615 (CrO₂)
• Test point : TP10(Lch), TP11(Rch)
• Input signal : 1kHz/10kHz (LINE IN)
Method : Apply a 1kHz signal and REC mode. Then Adjust OSC attenuator so that the output level at the test points becomes 9.0mV. Record and play back the 1kHz and 10kHz signals and check that the output is 0dB \pm 2dB.
6. REC/PB Sensitivity Check (DECK 2)
Settings : • Test tape : TTA-615 (CrO₂)
• Test point : TP10(Lch), TP11(Rch)
• Input signal : 1kHz (LINE IN)
Method : Apply a 1kHz signal and REC mode. Then adjust OSC attenuator so that the output level at the test points becomes 90mV. Record and play back the 1kHz signal and check that the output is -1dB \pm 3dB.

<FRONT SECTION>

7. μ -CON OSC Adjustment
Settings : • Test point : TP5(K-SCAN)
• Adjustment location : L101
Method : Insert AC plug with pressing TUNER function key. Adjust L101 so that the frequency across the test point is 208.8Hz \pm 0.2Hz.



MECHANICAL PARTS LIST 1 / 1

REF. NO.	PART NO.	KANRI NO.	DESCRIPTION	REF. NO.	PART NO.	KANRI NO.	DESCRIPTION
1	8A-NF7-010-010		WINDOW, CASS 1	43	87-NF4-217-110		HLDR, LOCK 2
2	8A-NF7-003-010		BOX, CASS 1	44	8A-NF8-206-010		HLDR, PWB M
3	82-NF5-218-010		SPR-T, EJECT 1 (SIN)	45	8A-NF8-656-010		CONN ASSY 5P TID-A 400
4	8A-NF7-011-010		WINDOW, CASS 2	46	85-NF5-617-010		CABLE, FFC 6P-1.25
5	82-NF5-219-010		SPR-T, EJECT 2 (SIN)	47	87-A91-711-010		FAN, 3110GL-B4W-B34-H02<EXCEPT U>
6	8A-NF7-004-010		BOX, CASS 2	48	8A-NF6-219-010		HLDR, FAN<EXCEPT U>
7	86-NF6-061-010		REFLECTOR, CASS	49	8A-NF7-152-010		PANEL, REAR HASM-F<HA>
8	8A-NF7-012-010		PANEL, DIRECT	49	8A-NF7-141-010		PANEL, REAR HRJSM-F<HR>
9	8A-NF7-041-010		KEY, ASSY CD	49	8A-NF7-155-010		PANEL, REAR HSSM-F<HS>
10	8Z-NF6-210-010		DMPR, 150 N				
11	8A-NF7-029-010		KEY, GEQ	49	8A-NF7-071-010		PANEL, REAR US<U>
12	81-532-080-010		LABEL, CASS. COMPT	50	84-ZG1-245-210		CAP, OPTICAL
13	8A-NF7-048-010		KNOB, RTRY ASSY JOG	51	8A-NF7-053-010		COVER, REAR H<EXCEPT U>
14	8A-NF7-024-010		KEY, SURROUND<HR, HS>	51	8A-NF7-129-010		COVER, REAR STEEL UJ<U>
15	8A-NF7-049-010		KNOB, RTRY ASSY VOL	52	8A-NF7-226-010		HLDR, IC2-T2<HR, HA, HS>
16	8A-NF7-034-010		KEY, MIC<HR, HS>	53	8A-NF7-207-010		HLDR, HT L
17	8A-NF7-023-010		KEY, ENTER	54	8A-NF7-208-010		HLDR, HT R
18	8A-NF7-081-010		CABI, FR HR<HR, HS>	55	8A-NF6-217-010		HLDR, PWB PT<EXCEPT U>
18	8A-NF7-083-010		CABI, FR LH<EXCEPT U, HR, HS>	55	8A-NF7-225-010		HLDR, PWB PT 85S<U>
18	8A-NF7-001-010		CABI, FR U<U>	56	8A-NF7-112-010		PANEL, RIGHT V-2
19	8A-NF7-015-010		KNOB, RTRY MIC<EXCEPT HR, HS>	57	87-A80-105-010		AC CORD ASSY, AZ<HA>
20	8A-NF7-101-010		PANEL, ASSY FR HR<HR, HS>	57	87-A80-092-010		AC CORD ASSY, E BLK SUN<HR>
20	8A-NF7-020-010		PANEL, ASSY FR U<EXCEPT HR, HS>	57	87-A80-110-010		AC CORD ASSY, U SPT-2W<U>
21	8A-NF7-090-010		WINDOW, DISP HA<HA>	57	87-A80-155-010		AC CORD ASSY, HS TS<HS>
21	8A-NF7-091-010		WINDOW, DISP HR<HR, HS>	58	87-085-185-010		BUSHING, AC CORD (E)<EXCEPT U>
				58	87-A91-422-010		BUSHING, AC CORD (U)<U>
21	8A-NF7-006-010		WINDOW, DISP U<U>	59	87-085-221-010		FOOT, H13.5<U>
22	8A-NF7-005-010		PANEL, TRAY U	59	87-085-221-010		FOOT, H13.5<HR, HA, HS>
23	87-CE3-023-010		BADGE, AIWA 30N SILV	60	8Z-NB8-254-010		COVER, PL M3
24	8A-NF7-008-010		PANEL, CD	61	8Z-NB8-240-010		COVER, PL
25	8A-NF8-007-010		PANEL, LEFT V-2	62	8A-NF7-209-010		HLDR, PWB-M BTM
26	8A-NF8-006-010		WINDOW, TOP				
27	8A-NF8-005-010		PANEL, TOP	A	87-067-703-010		TAPPING SCREW, BVT2+3-10
28	8A-NF7-035-010		KEY, ASSY FUN	B	87-067-581-010		TAPPING SCREW, BVT2+3-15
29	8A-NF7-026-010		KEY, ASSY OPE	C	87-067-688-010		BVTT+3-6
30	8A-NF7-214-010		GUIDE, OPE	D	87-NF4-224-010		S-SCREW, IT3B+3-8 CU
31	8A-NF7-213-010		GUIDE, FUN	E	87-721-097-410		QT2+3-12 GLD
32	87-NF5-203-110		GUIDE, FL (*)	F	87-067-641-010		UTT2+3-8 (W/O SLOT) BL
33	85-NF7-605-010		CONN ASSY 4P V 8MM	G	87-078-191-010		S-SCREW, IT+4-10
34	85-NF5-618-010		CABLE, FFC 13P-1.25	H	87-723-096-410		QT2+3-10W/O SLOT BL
35	88-915-171-110		FF-CABLE, 15P 1.25<U>	I	87-067-689-010		TAPPING SCREW, BVTT+3-8<HR, HA, HS>
35	88-915-111-110		FF-CABLE, 15P 1.25<HR, HA, HS>	J	87-067-579-010		TAPPING SCREW, BVT2+3-8<HR, HA, HS>
36	8A-NF7-021-010		KEY, BBE	K	87-067-001-010		S-SCREW BWWST 2+3-12
37	82-NF5-229-010		PLATE, LOCK				
38	86-NF9-224-010		SPR-C, LOCK				
39	87-NF4-216-010		HLDR, LOCK 1				
40	8A-NF7-046-010		KEY, KARAOKE				
41	8A-NF7-022-010		KEY, SPICE<EXCEPT U>				
42	87-NF4-221-010		HLDR, CABLE				

COLOR NAME TABLE

Basic color symbol	Color	Basic color symbol	Color	Basic color symbol	Color
B	Black	C	Cream	D	Orange
G	Green	H	Gray	L	Blue
LT	Transparent Blue	N	Gold	P	Pink
R	Red	S	Silver	ST	Titan Silver
T	Brown	V	Violet	W	White
WT	Transparent White	Y	Yellow	YT	Transparent Yellow
LM	Metallic Blue	LL	Light Blue	GT	Transparent Green
LD	Dark Blue	DT	Transparent Orange		

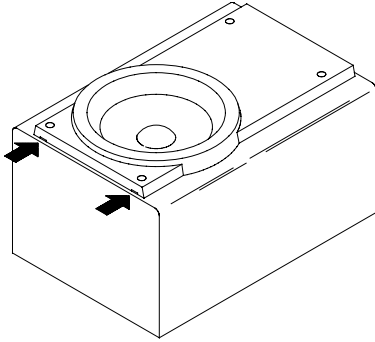
TAPE MECHANISM PARTS LIST 1 / 1

REF. NO.	PART NO.	KANRI NO.	DESCRIPTION	REF. NO.	PART NO.	KANRI NO.	DESCRIPTION
1	82-ZM3-301-510		CHAS ASSY,M2	36	82-ZM3-339-010		SHAFT, COUPLER N3 (DECK 1)
2	82-ZM1-258-110		SPR-T, PINCH L	37	86-ZM1-206-010		BELT, MAIN L
3	82-ZM1-341-110		LVR ASSY, PINCH L2	38	82-ZM1-322-010		SPR-T, FR60
4	82-ZM1-333-010		PLATE, LINK 2	39	82-ZM1-220-210		GEAR, IDLER
5	82-ZM1-266-11K		LVR, DIR	40	82-ZM3-616-010		RING MAGNET 4
6	82-ZM1-214-010		SPR-T, DIR	41	82-ZM1-216-31K		GEAR, REEL
7	82-ZM1-206-81K		CHAS, HEAD	42	87-A90-319-010		HEAD, PH HADKH2 FPC
8	82-ZM3-340-010		SH, BELT D2	42	87-A90-320-010		HEAD, RPH HADKH5 FPC
9	82-ZM1-269-210		SPR-T, BRG	43	82-ZM1-225-21K		GEAR, FR
10	82-ZM1-219-110		SPR-T, LINK	44	82-ZM1-226-010		GEAR, REW
11	82-ZM1-210-110		GEAR, H T	45	82-ZM3-333-310		SLIP DISK ASSY 2
12	82-ZM1-213-010		SPR-T, HEAD	46	82-ZM1-338-010		BELT FR4
13	82-ZM1-207-610		GUIDE, TAPE	47	82-ZM1-349-110		FLY-WHL, R W (DECK 2)
14	86-ZM4-206-010		S-SCREW, AZIMUTH	47	82-ZM3-338-110		FLY-WHL, R3 W (DECK 1)
15	82-ZM1-314-110		PLATE, HEAD	48	82-ZM1-348-010		FLY-WHL, L W (DECK 2)
16	82-ZM1-208-110		HLDR, HEAD	48	82-ZM1-348-010		FLY-WHL, L W (DECK 1)
17	82-ZM1-218-010		SPR-E, HB	49	82-ZM3-329-210		BELT, SBU R2
18	82-ZM1-263-110		LVR, EJECT L (DECK 1)	50	82-ZM1-245-210		HLDR, IC
18	82-ZM1-264-010		LVR, EJECT R (DECK 2)	51	87-045-347-019		MOT, SHU2L 70 (M1)
19	82-ZM1-222-21K		LVR, PLAY	52	82-ZM3-221-010		PULLEY, MOT 2M
20	82-ZM1-217-310		REEL TABLE	53	82-ZM1-288-019		SH, 1.63-3.2-0.5 SLT
21	82-ZM1-244-510		SPR-C, BT	54	80-ZM6-243-019		SH, 1.75-3.6-0.5 SLT
22	82-ZM1-285-310		SPR-C, BT L	55	82-ZM3-335-210		PULLEY, COUPLER M3 (DECK 1)
23	82-ZM1-257-010		SPR-T, CAS	56	82-ZM3-337-010		BELT, SBU MOT 2
24	82-ZM1-241-310		LVR, MC	57	82-ZM3-339-010		SHAFT, COUPLER N3 (DECK 1)
25	82-ZM1-242-010		LVR, CAS	58	86-ZM1-206-010		BELT, MAIN L
26	82-ZM1-243-010		LVR, STOP	59	82-ZM3-340-010		SH, BELT D2
27	82-ZM1-344-110		LVR ASSY, PINCH R2	A	85-ZM3-202-010		S-SCREW, TG
28	82-ZM1-259-110		SPR-T, PINCH R	B	80-ZM6-207-019		V+1.6-7
29	82-ZM1-240-11K		LVR, REC (DECK 2)	C	82-ZM3-318-019		S-SCRW MOTOR M2
31	82-ZM1-255-310		SPR-E, LVR DIR	D	87-B10-043-010		W-P, 0.99-4-0.25 SLT
32	82-ZM3-305-01K		GEAR, CAM M2	E	82-ZM3-334-010		PW, 2.16-6-0.4
33	82-ZM1-227-21K		LVR, TRIG				
34	82-ZM3-306-11K		LVR, FR M2				
35	82-ZM1-265-110		SPR-E, TRIG				

SPEAKER DISASSEMBLY INSTRUCTIONS

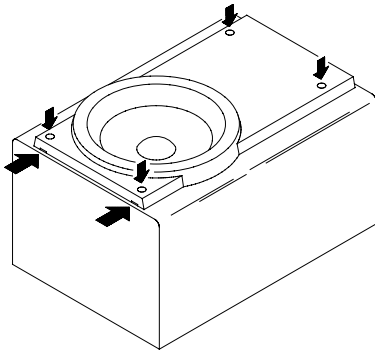
Type.1

Insert a flat-bladed screwdriver into the position indicated by the arrows and remove the panel. Remove the screws of each speaker unit and then remove the speaker units.



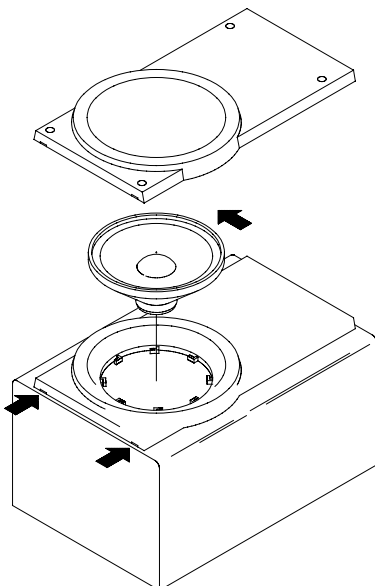
Type.2

Remove the grill frame and four pieces of rubber caps by pulling out with a flat-bladed screwdriver. Remove the screws from hole where installed rubber caps. Insert a flat-bladed screwdriver into the position indicated by the arrows and remove the panel. Remove the screws of each speaker unit and then remove the speaker units.

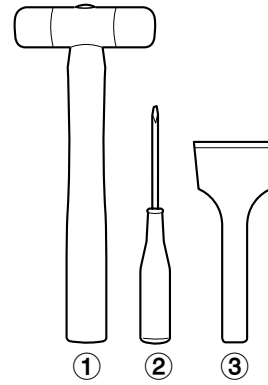


Type.3

Insert a flat-bladed screwdriver into the position indicated by the arrows and remove the panel. Turn the speaker unit to counter-clockwise direction while inserting a flat-bladed screwdriver into one of the hollows around speaker unit, and then remove the speaker unit. After replacing the speaker unit, install it turning to clockwise direction until "click" sound comes out.



Type.4



TOOLS

- ① Plastic head hammer
- ② (⊖) flat head screwdriver
- ③ Cut chisel

How to Remove the PANEL, FR

1. Insert the (⊖) flat head screwdriver tip into the gap between the PANEL, FR and the PANEL, SPKR. Tap the head of the (⊖) flat head screwdriver with the plastic hammer head, and create the clearance as shown in Fig-1.
2. Insert the cut chisel in the clearance, and tap the head of the cut chisel with plastic hammer as shown in Fig-2, to remove the PANEL, FR.
3. Place the speaker horizontally. Tap head of the cut chisel with plastic hammer as shown in Fig-3, and remove the PANEL, FR completely.

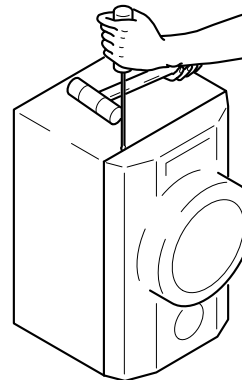


Fig-1

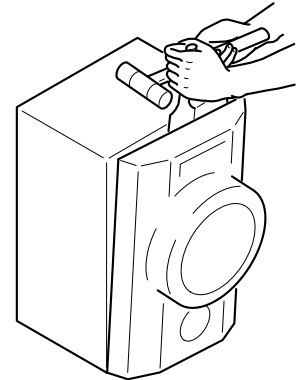


Fig-2

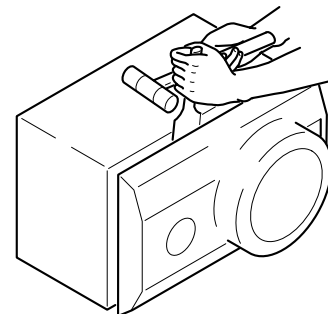


Fig-3

How to Attach the PANEL, FR

Attach the PANEL, FR to the PANEL, SPKR. Tap the four corners of the PANEL, FR with the plastic hammer to fit the PANEL, FR into the PANEL, SPKR completely.

SPEAKER PARTS LIST SX-WNSZ70 (YLSL / YJSL / Y1SL) / SX-WNAJ70 (YUSL)

REF. NO.	PART NO.	KANRI NO.	DESCRIPTION
1	8Z-NS6-606-110		SPKR, W 160
2	8A-NS7-604-010		SPKR, M 100
3	88-NSK-610-010		SPKR, CERAMIC ASSY
4	8Z-NSY-003-010		CORD, BUSH
5	8A-NS7-017-010		PROTECTOR,
6	88-NS5-610-010		CORD, SPKR
7	88-NS5-611-010		CORD, SPKR B/L
8	8A-NS7-001-010		PANEL, FR<SX-WNSZ70>
8	8A-NS7-021-010		PANEL, FR U<SX-WNAJ70>
9	8A-NS7-004-010		PANEL, DUCT
10	8A-NS7-005-010		GRILLE, FRAME ASSY<SX-WNSZ70>
10	8A-NS7-014-010		GRILLE, FRAME ASSY U<SX-WNAJ70>
11	8A-NSJ-006-010		BADGE, AIWA S35

アイワ株式会社 〒110-8710 東京都台東区池之端1-2-11 ☎03(3827)3111 (代表)
AIWA CO.,LTD. 2-11, IKENOHATA 1-CHOME, TAITO-KU, TOKYO 110, JAPAN TEL:03 (3827) 3111