

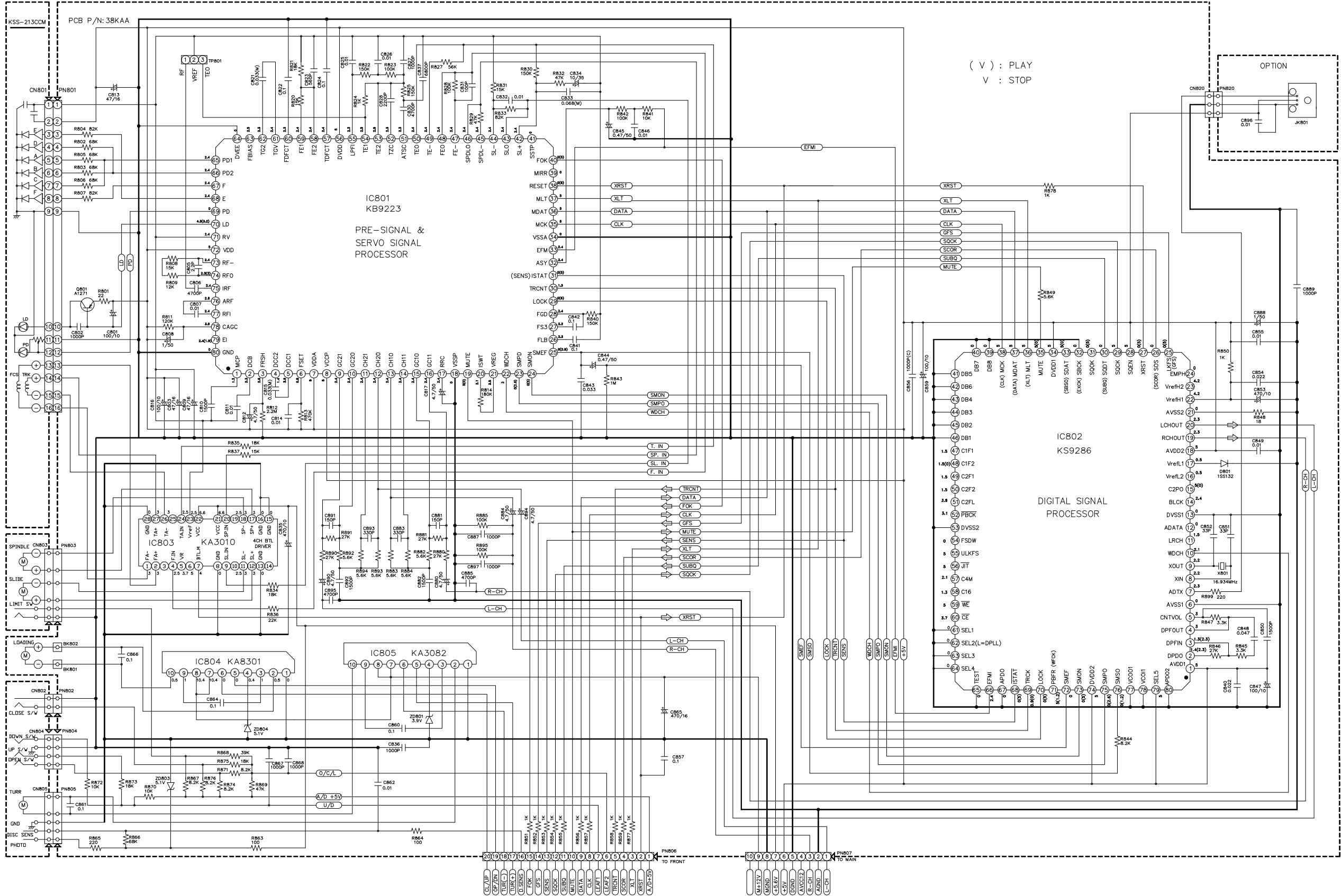
- +5.6V
- TU/TA L
- TU/TA R
- +12V(A)
- GND
- CE
- DO
- CLK
- DI
- ST

- AUX R
- AUX L
- REC L
- REC R
- TV/VCR R
- TV/VCR L
- DECK-B
- DECK-A
- HALL-B
- HALL-A
- P-CTRL
- TU FUNC

- EXP CLK1
- EXP DO1
- CD-LATC
- 12V-MTR
- CD L
- A-GND
- CD R
- A-GND
- D-GND
- +5.0V
- +5.6V
- GND (M)
- +12V (M)
- GND

- HALL-A
- HALL-B
- ST
- DI
- DO
- CLK
- PLL CLK
- PLL CE
- VKK(-36V)
- GND(D)
- F1
- F2

AC POWER CORD
AC 115/230V



(V) : PLAY
V : STOP

OPTION

IC801
KB9223
PRE-SIGNAL &
SERVO SIGNAL
PROCESSOR

IC802
KS9286
DIGITAL SIGNAL
PROCESSOR

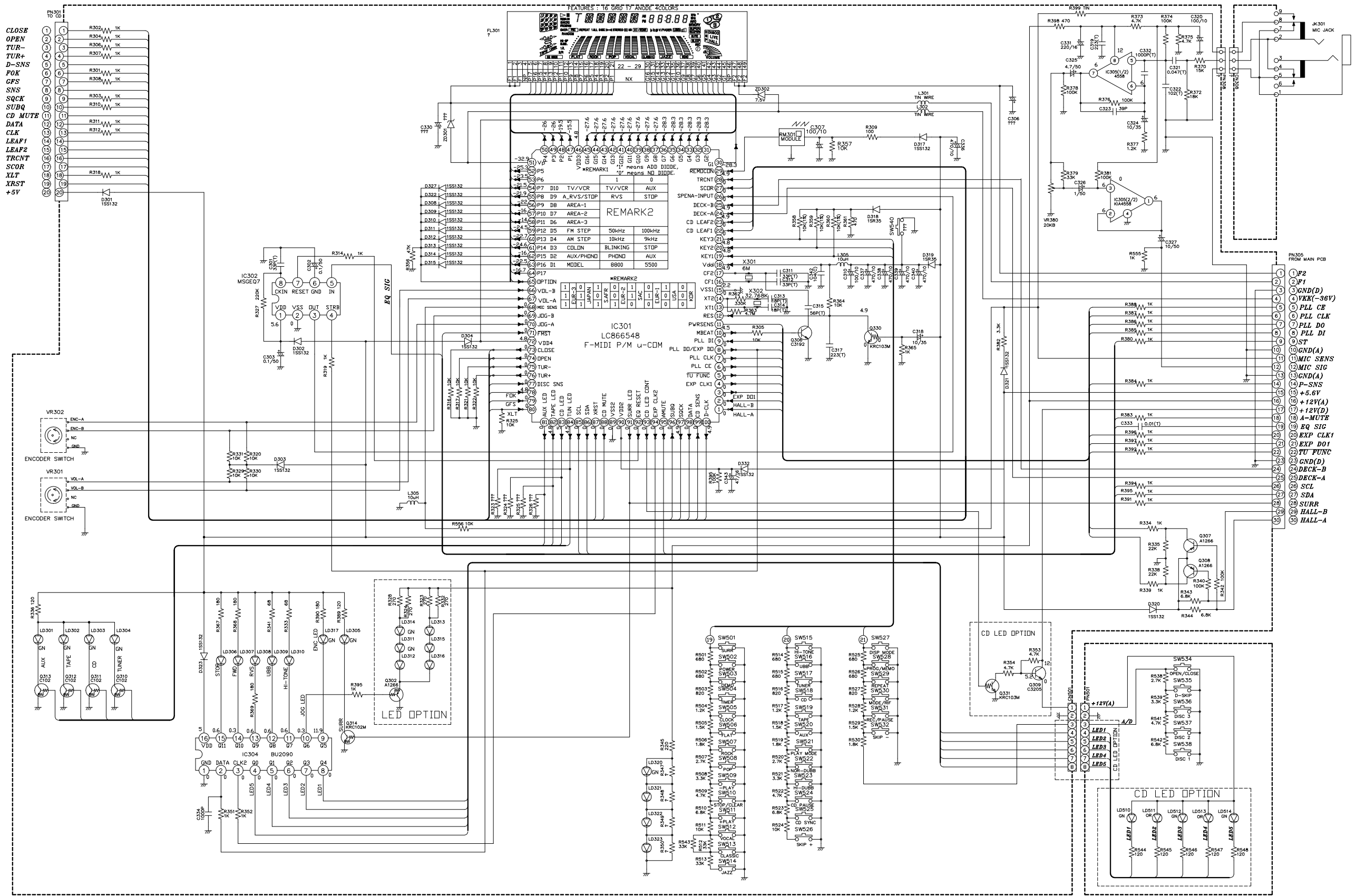
IC803
KA3010
4CH BTL
DRIVER

IC804
KA8301

IC805
KA3082

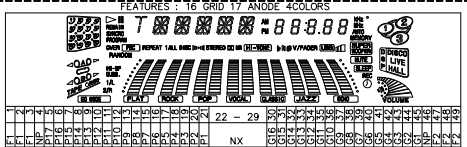
- 20
- 19
- 18
- 17
- 16
- 15
- 14
- 13
- 12
- 11
- 10
- 9
- 8
- 7
- 6
- 5
- 4
- 3
- 2
- 1

- 10
- 9
- 8
- 7
- 6
- 5
- 4
- 3
- 2
- 1



CLOSE
OPEN
TUR-
TUR+
D-SNS
FOK
SNS
SQCK
SUBQ
CD MUTE
DATA
CLK
LEAF1
LEAF2
TRCNT
SCOR
XLT
XRST
+5V

FEATURES: 16 GRID 17 ANGLE 4 COLORS



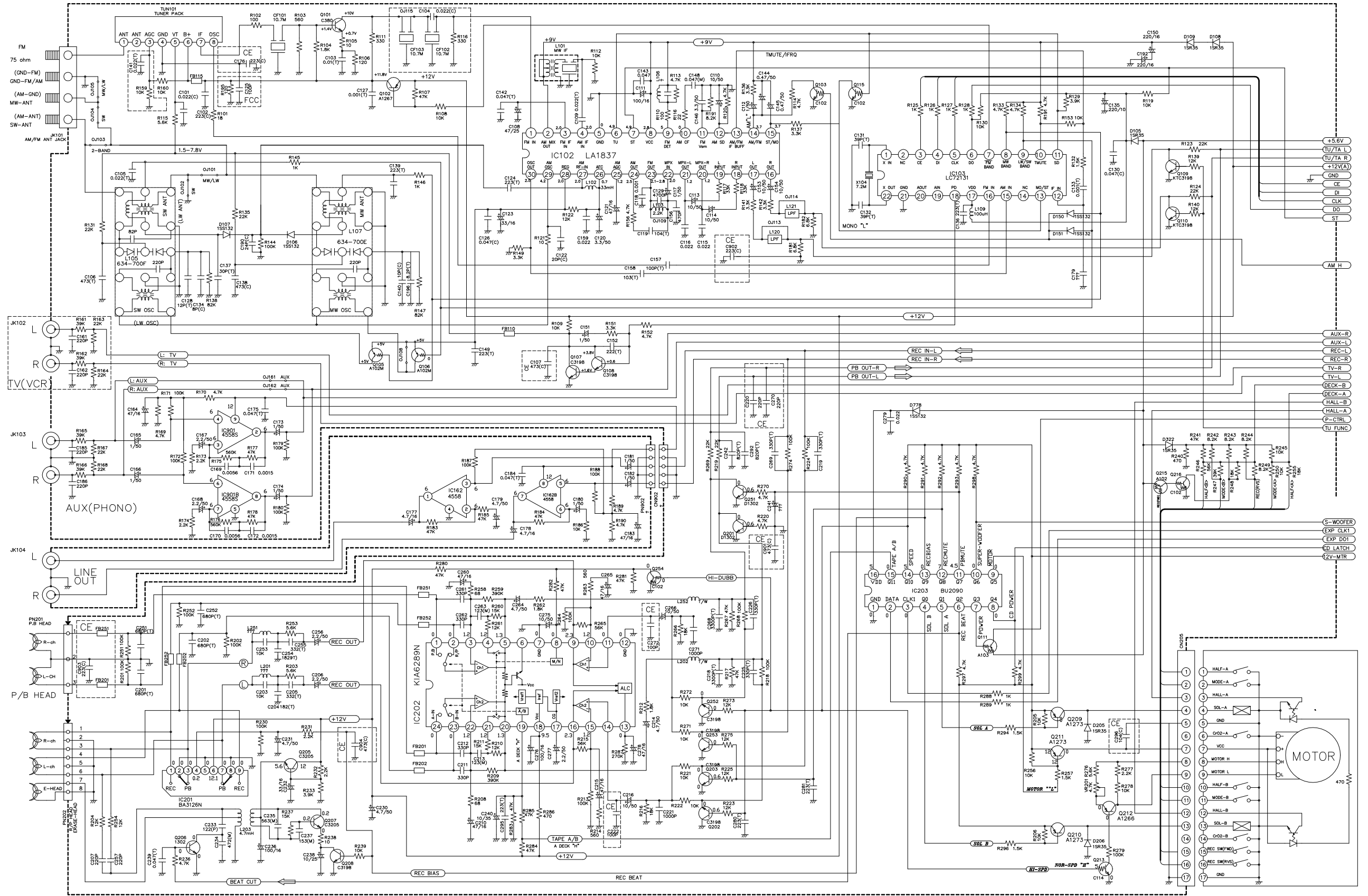
REMARK2

1	0
2	0
3	0
4	0
5	0
6	0
7	0
8	0
9	0
10	0
11	0
12	0
13	0
14	0
15	0
16	0
17	0
18	0
19	0
20	0
21	0
22	0
23	0
24	0
25	0
26	0
27	0
28	0
29	0
30	0

REMARK2

1	0
2	0
3	0
4	0
5	0
6	0
7	0
8	0
9	0
10	0
11	0
12	0
13	0
14	0
15	0
16	0
17	0
18	0
19	0
20	0
21	0
22	0
23	0
24	0
25	0
26	0
27	0
28	0
29	0
30	0

- 1 P2
- 2 P1
- 3 GND(D)
- 4 VKK(-36V)
- 5 PLL CE
- 6 PLL CLK
- 7 PLL DO
- 8 PLL DI
- 9 ST
- 10 GND(A)
- 11 MIC SENS
- 12 MIC SIG
- 13 GND(A)
- 14 P-SNS
- 15 +5.6V
- 16 +12V(A)
- 17 +12V(D)
- 18 A-MUTE
- 19 EQ SIG
- 20 EXP CLK1
- 21 EXP DO1
- 22 TU FUNC
- 23 GND(D)
- 24 DECK-B
- 25 DECK-A
- 26 SCL
- 27 SDA
- 28 SURR
- 29 HALL-B
- 30 HALL-A



- +5.6V
- TU/TA L
- TU/TA R
- +12V(A)
- GND
- CE
- DI
- CLK
- DO
- ST

- AUX-R
- AUX-L
- REC-L
- REC-R
- TV-R
- TV-L
- DECK-B
- HALL-B
- HALL-A
- F-CTRL
- TU FUNC

- S-WOOFER
- EXP CLK1
- EXP DO1
- CD LATCH
- 12V-MTR

