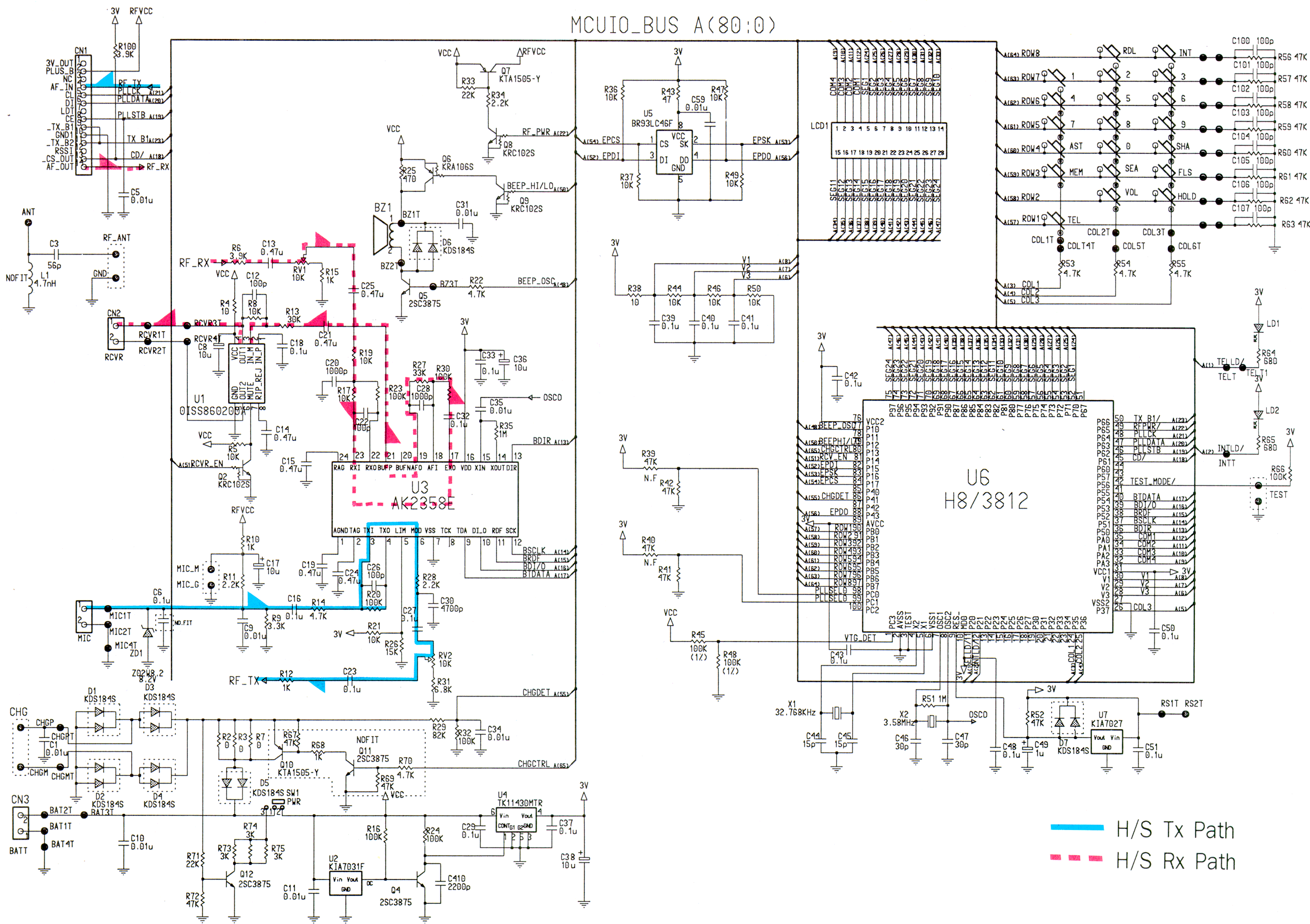


# KEYPAD

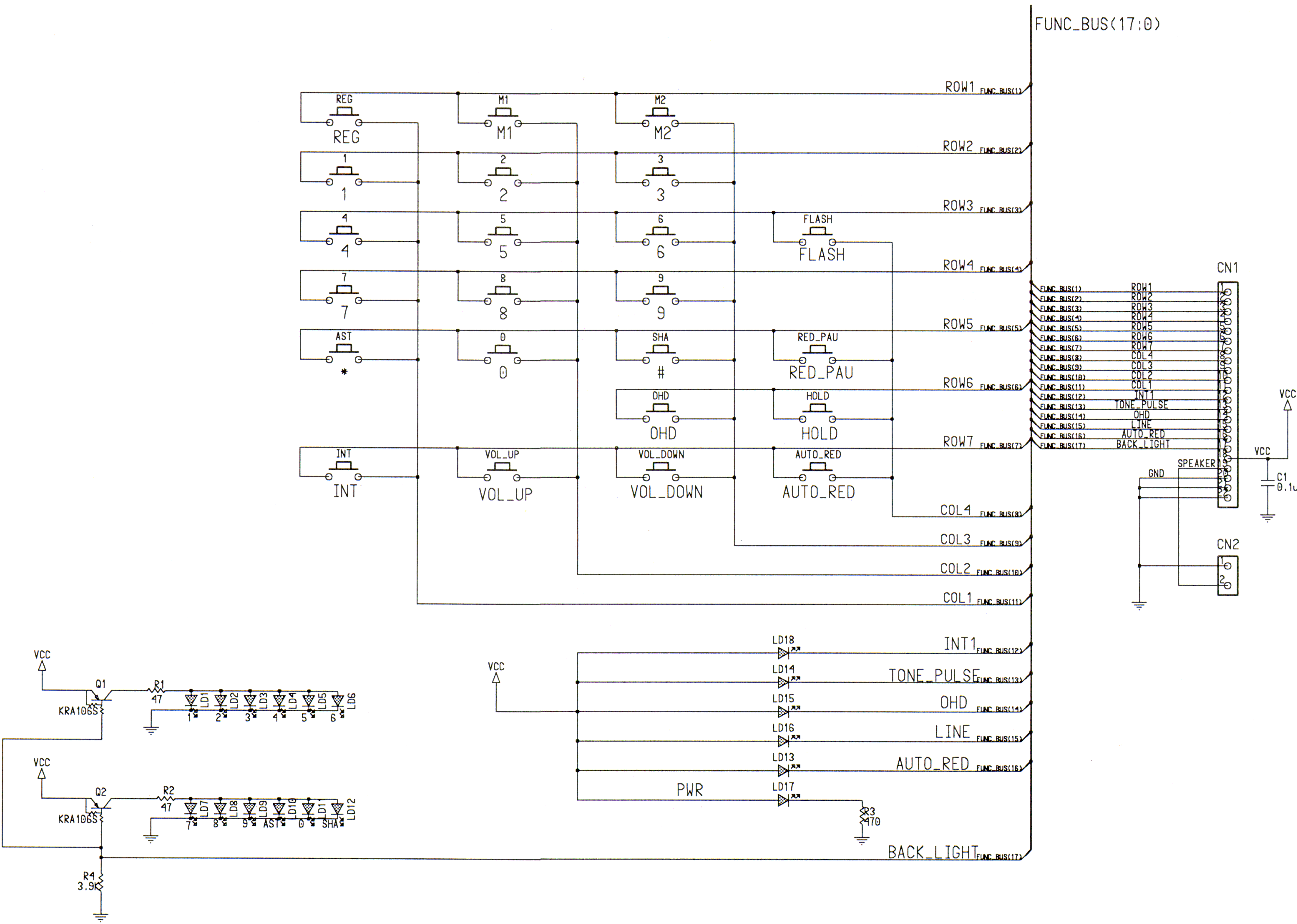
MCUIO\_BUS A(80:0)



— H/S Tx Path  
 - - - H/S Rx Path

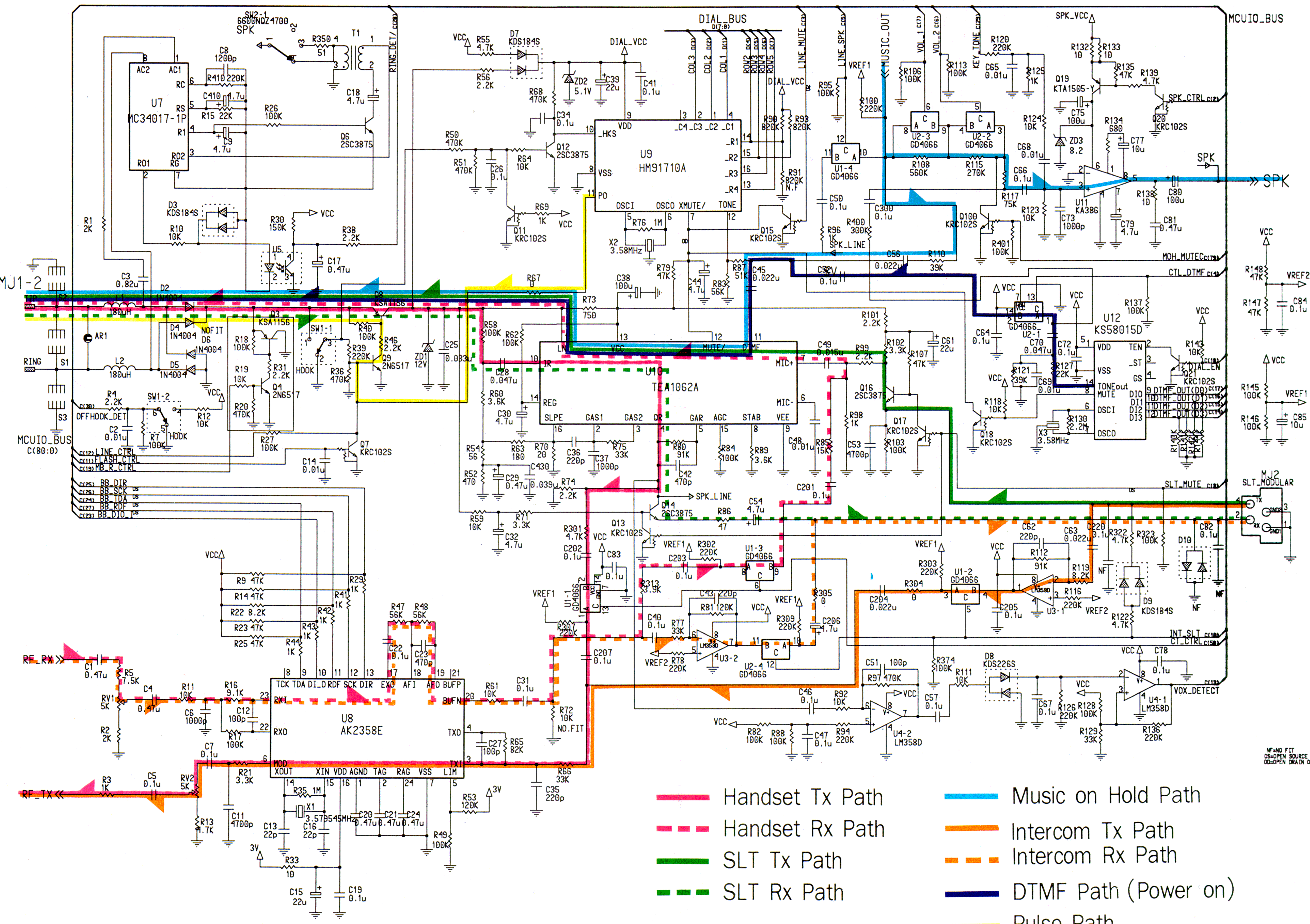


# Function





# MAIN - 1



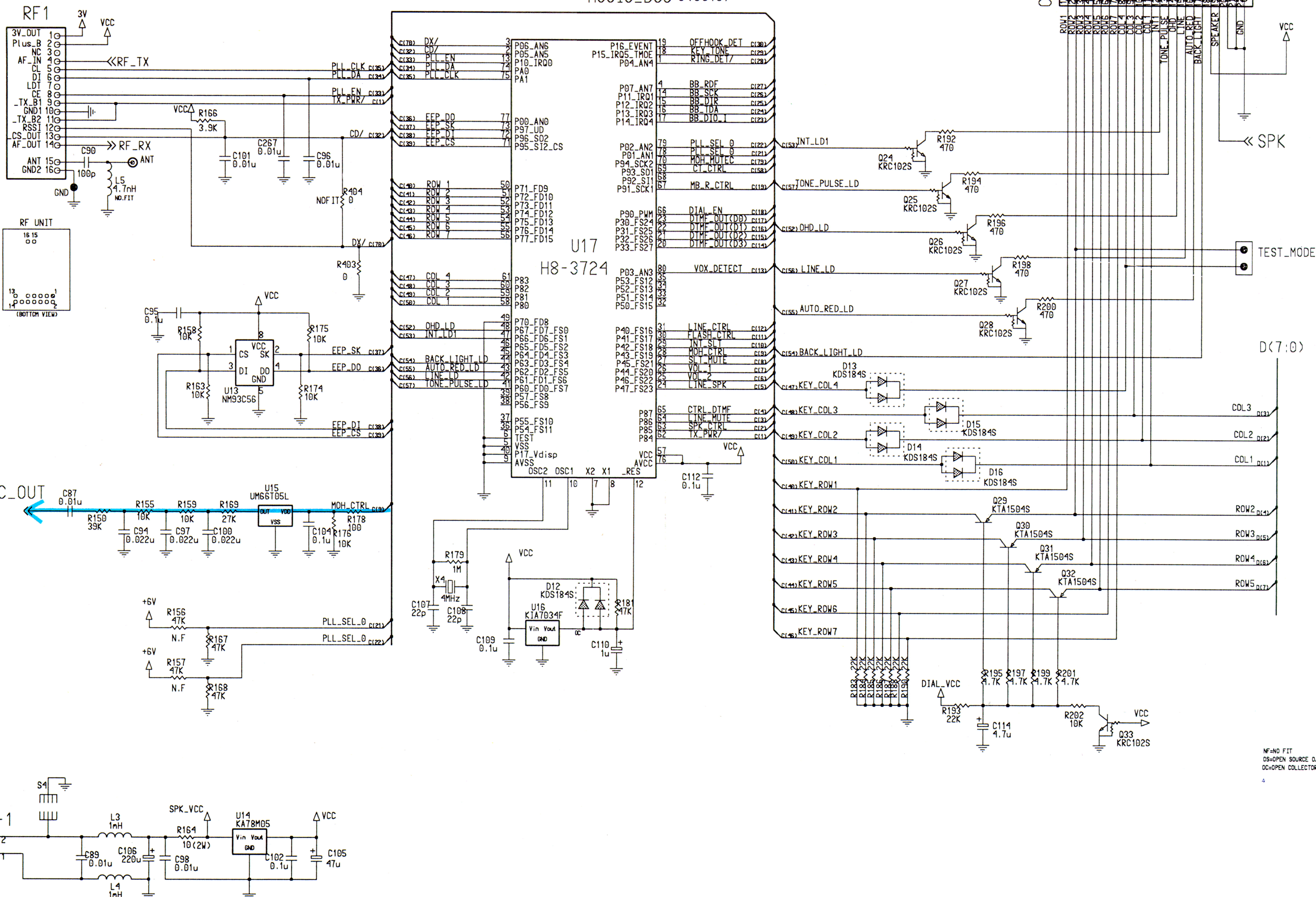
- Handset Tx Path
- - - Handset Rx Path
- SLT Tx Path
- - - SLT Rx Path
- Music on Hold Path
- Intercom Tx Path
- - - Intercom Rx Path
- DTMF Path (Power on)
- Pulse Path

NF=NO FIT  
 OS=OPEN SOURCE O/P  
 OD=OPEN DRAIN O/P



# MAIN - 2

MCUIO\_BUS C(80:0)



NF=NO FIT  
 OS=OPEN SOURCE O/P  
 OC=OPEN COLLECTOR O/P