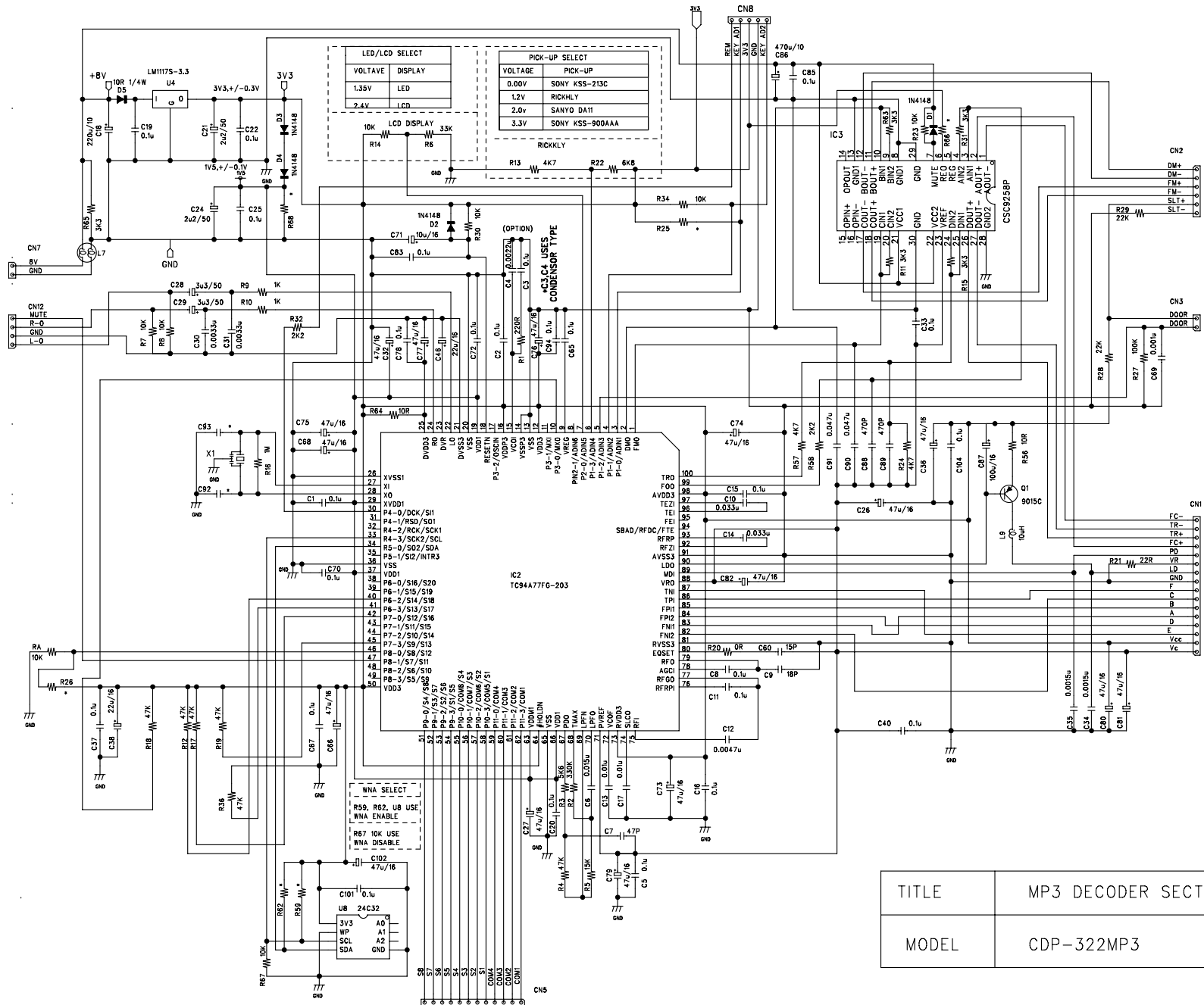


*THE SCHEMATIC IS SUBJECT

IC4
TA8227

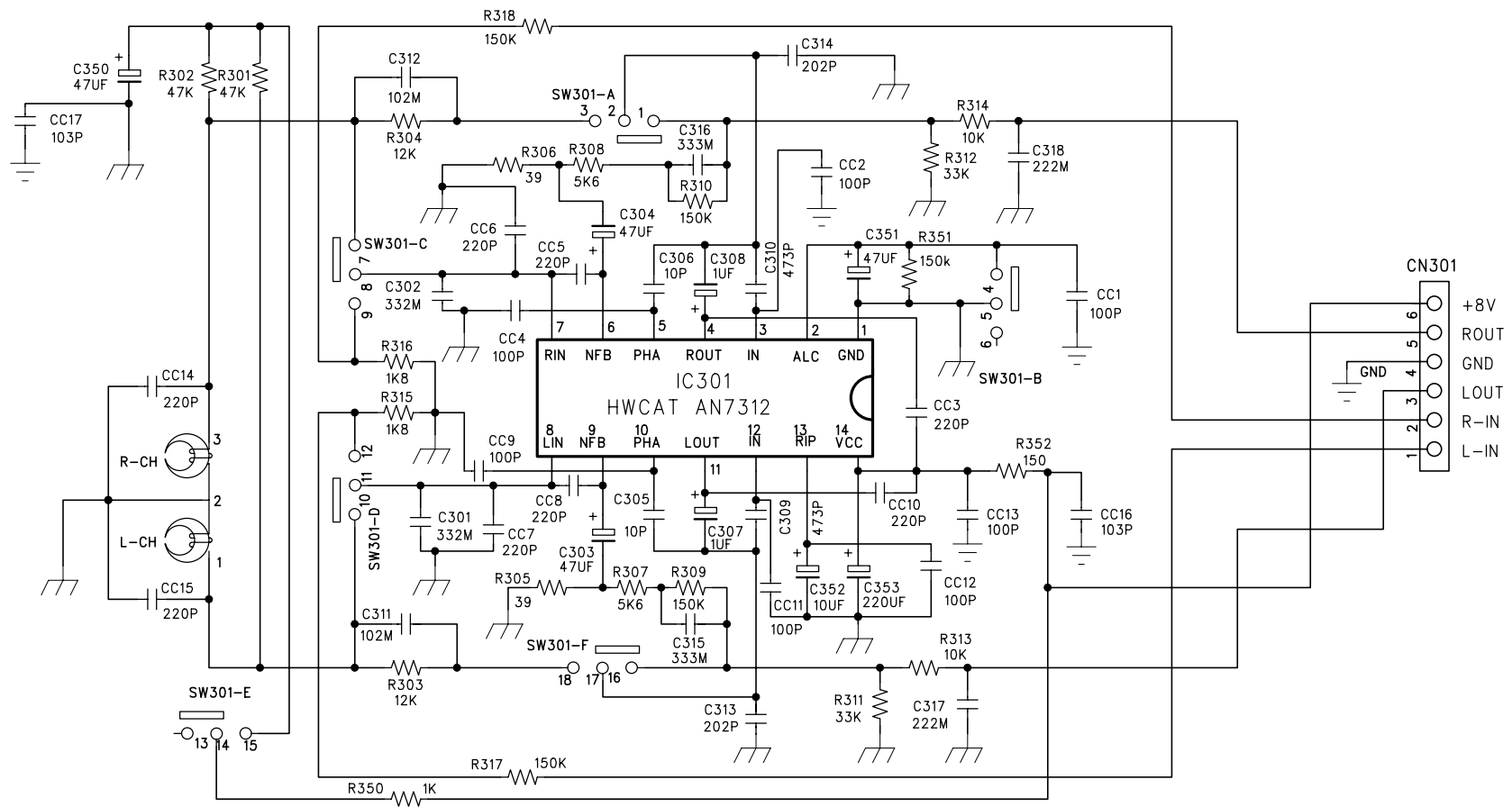
322 POWER & RADIO (2111) SCH
MODEL: CDP-322MP3



LED/LCD SELECT	
VOLTAGE	DISPLAY
1.35V	LED
2.4V	LCD

PICK-UP SELECT	
VOLTAGE	PICK-UP
0.00V	SONY KSS-213C
1.2V	RICKKLY
2.0V	SANYO DA11
3.3V	SONY KSS-900AAA

TITLE	MP3 DECODER SECTION
MODEL	CDP-322MP3



MODEL: CDP-322MP3
TITLE: R/P BOARD