

AV RECEIVER/AV AMPLIFIER

RX-V557/HTR-5850/DSP-AX557

RX-V457/HTR-5840/DSP-AX457

SERVICE MANUAL

IMPORTANT NOTICE

This manual has been provided for the use of authorized YAMAHA Retailers and their service personnel. It has been assumed that basic service procedures inherent to the industry, and more specifically YAMAHA Products, are already known and understood by the users, and have therefore not been restated.

WARNING: Failure to follow appropriate service and safety procedures when servicing this product may result in personal injury, destruction of expensive components, and failure of the product to perform as specified. For these reasons, we advise all YAMAHA product owners that any service required should be performed by an authorized YAMAHA Retailer or the appointed service representative.

IMPORTANT: The presentation or sale of this manual to any individual or firm does not constitute authorization, certification or recognition of any applicable technical capabilities, or establish a principle-agent relationship of any form.

The data provided is believed to be accurate and applicable to the unit(s) indicated on the cover. The research, engineering, and service departments of YAMAHA are continually striving to improve YAMAHA products. Modifications are, therefore, inevitable and specifications are subject to change without notice or obligation to retrofit. Should any discrepancy appear to exist, please contact the distributor's Service Division.

WARNING: Static discharges can destroy expensive components. Discharge any static electricity your body may have accumulated by grounding yourself to the ground buss in the unit (heavy gauge black wires connect to this buss).

IMPORTANT: Turn the unit OFF during disassembly and part replacement. Recheck all work before you apply power to the unit.

■ CONTENTS

<p>TO SERVICE PERSONNEL 2</p> <p>FRONT PANELS 3~6</p> <p>REAR PANELS 6~15</p> <p>SPECIFICATIONS / 参考仕様 16~18</p> <p>INTERNAL VIEW 18~19</p> <p>REMOTE CONTROL PANELS 19</p> <p>DISASSEMBLY PROCEDURES / 分解手順 20~23</p> <p>SELF DIAGNOSIS FUNCTION (DIAG) / 自己診断機能 (ダイアグ) 24~44</p>	<p>AMP ADJUSTMENT / アンプ部調整 45</p> <p>IC DATA 46~51</p> <p>BLOCK DIAGRAM 52~55</p> <p>DISPLAY DATA 56</p> <p>PRINTED CIRCUIT BOARD 57~79</p> <p>PIN CONNECTION DIAGRAM 80</p> <p>SCHEMATIC DIAGRAM 81~93</p> <p>PARTS LIST 95~129</p> <p>REMOTE CONTROL 130~131</p>
--	---

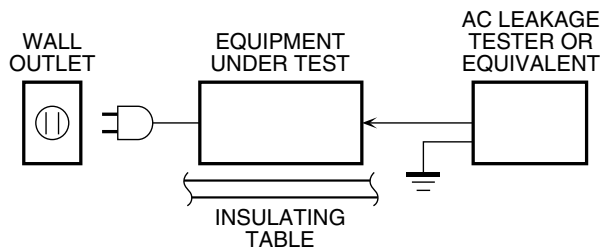


このサービスマニュアルは、エコマーク認定の再生紙を使用しています。
This Service Manual uses recycled paper.



■ TO SERVICE PERSONNEL

1. Critical Components Information
 Components having special characteristics are marked ⚠ and must be replaced with parts having specifications equal to those originally installed.
2. Leakage Current Measurement (For 120V Models Only)
 When service has been completed, it is imperative to verify that all exposed conductive surfaces are properly insulated from supply circuits.
 - Meter impedance should be equivalent to 1500 ohms shunted by 0.15μF.
 - Leakage current must not exceed 0.5mA.
 - Be sure to test for leakage with the AC plug in both polarities.



“CAUTION”

“F1, 2: FOR CONTINUED PROTECTION AGAINST RISK OF FIRE, REPLACE ONLY WITH SAME TYPE 8A, 125V FUSE.”

CAUTION

F1, 2: REPLACE WITH SAME TYPE 8A, 125V FUSE.

ATTENTION

F1, 2: UTILISER UN FUSIBLE DE RECHANGE DE MEME TYPE DE 8A, 125V.

WARNING: CHEMICAL CONTENT NOTICE!

The solder used in the production of this product contains LEAD. In addition, other electrical/electronic and/or plastic (where applicable) components may also contain traces of chemicals found by the California Health and Welfare Agency (and possibly other entities) to cause cancer and/or birth defects or other reproductive harm.

DO NOT PLACE SOLDER, ELECTRICAL/ELECTRONIC OR PLASTIC COMPONENTS IN YOUR MOUTH FOR ANY REASON WHATSOEVER!

Avoid prolonged, unprotected contact between solder and your skin! When soldering, do not inhale solder fumes or expose eyes to solder/flux vapor!

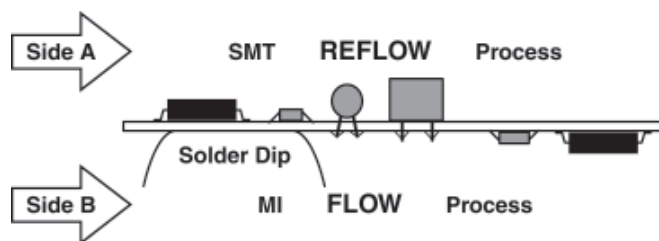
If you come in contact with solder or components located inside the enclosure of this product, wash your hands before handling food.

About Lead Free Solder / 無鉛ハンダについて

The P.C.B.s installed in this unit are soldered using the following solder.

本機に搭載されている基板のハンダ付けに使用されているハンダは下記の通りです。

	Component Side / 部品面	Foil Side / ハンダ面
DSP P.C.B.	Lead Solder / 鉛入りハンダ	Lead Free Solder / 無鉛ハンダ
FUNCTION P.C.B.	—	Lead Free Solder / 無鉛ハンダ
OPERATION P.C.B.	—	Lead Free Solder / 無鉛ハンダ
MAIN P.C.B.	—	Lead Free Solder / 無鉛ハンダ
POWER P.C.B.	—	Lead Free Solder / 無鉛ハンダ
SUBTRANS P.C.B.	—	Lead Free Solder / 無鉛ハンダ
CONVERSION P.C.B.	Lead Solder / 鉛入りハンダ	Lead Free Solder / 無鉛ハンダ
VIDEO P.C.B.	—	Lead Free Solder / 無鉛ハンダ
XM P.C.B.	Lead Solder / 鉛入りハンダ	Lead Free Solder / 無鉛ハンダ



Among some types of lead free solder currently available, it is recommended to use one of the following types for the repair work.

- Sn + Ag + Cu (tin + silver + copper)
- Sn + Cu (tin + copper)
- Sn + Zn + Bi (tin + zinc + bismuth)

無鉛ハンダにはいくつかの種類がありますが、修理時には下記のような無鉛ハンダの使用を推奨します。

- ・ Sn+Ag+Cu(錫+銀+銅)
- ・ Sn+Cu(錫+銅)
- ・ Sn+Zn+Bi(錫+亜鉛+ビスマス)

Caution:

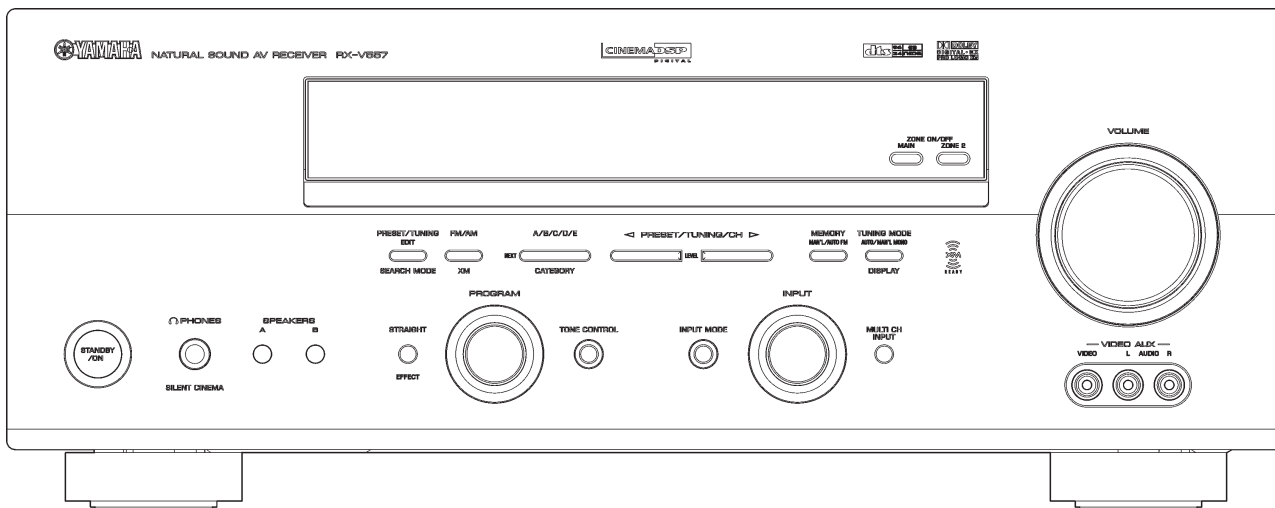
1. As the melting point temperature of the lead free solder is about 30°C to 40°C (50°F to 70°F) higher than that of the lead solder, be sure to use a soldering iron suitable to each solder.
2. If lead solder must be used, be sure to remove lead free solder from each terminal section of the parts to be replaced and from the area around it completely before soldering, or make sure that the lead free solder and lead solder melt together fully.

注意:

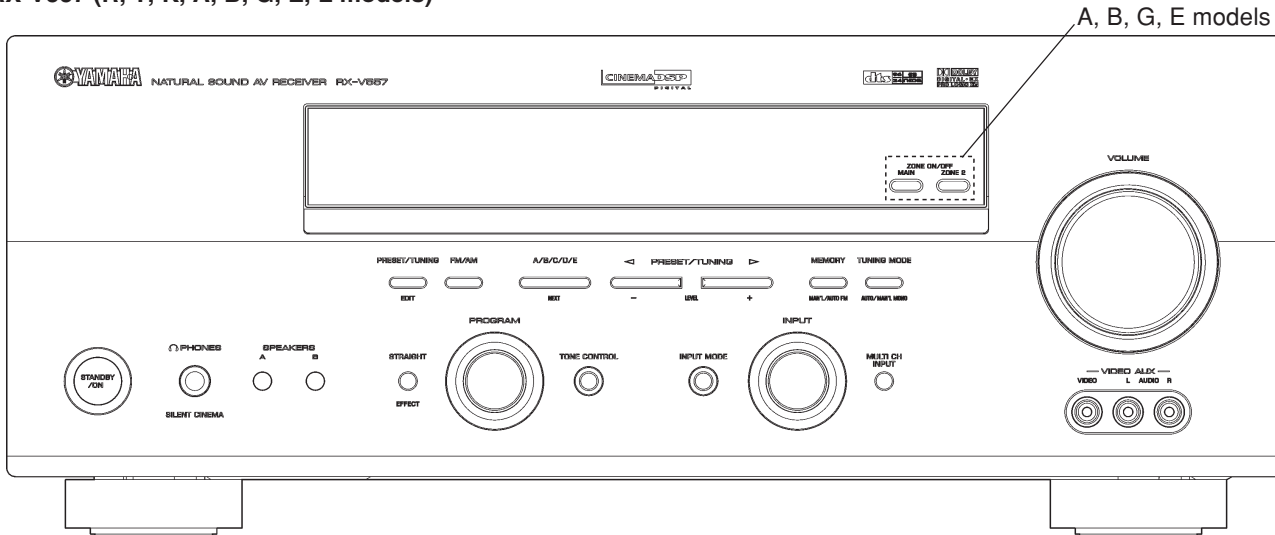
- ① 無鉛ハンダの融点温度は通常の鉛入りハンダに比べ30~40°C程度高くなっていますので、それぞれのハンダに合ったハンダごてをご使用ください。
- ② 鉛入りハンダを使わざるを得ない場合は、あらかじめ交換する部品端子部やその周辺部の無鉛ハンダをすべて取り除くか、あるいは無鉛ハンダと鉛入りハンダが十分に溶けた状態となるようにハンダ付けしてください。

FRONT PANELS

RX-V557 (U, C models)

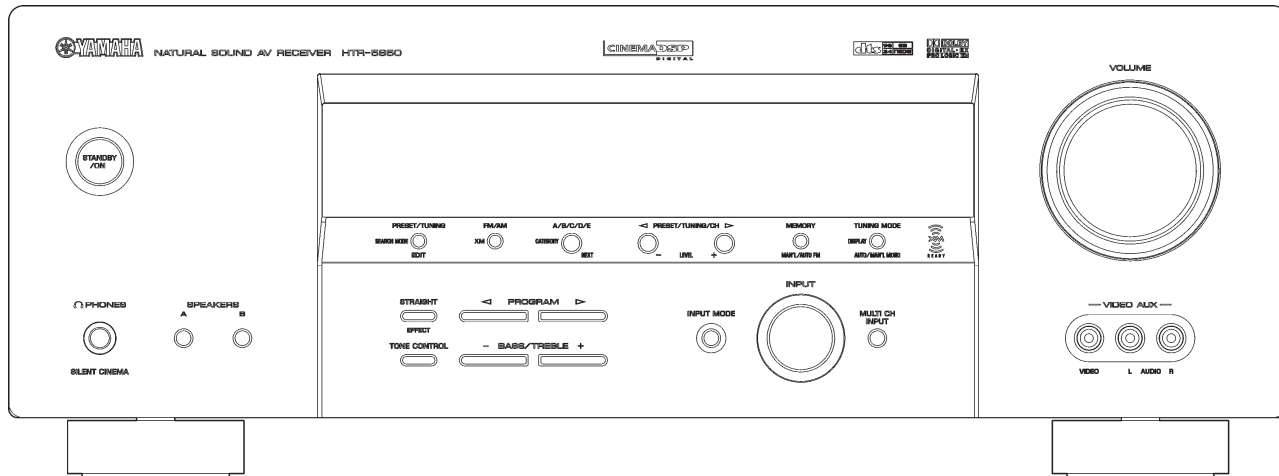


RX-V557 (R, T, K, A, B, G, E, L models)

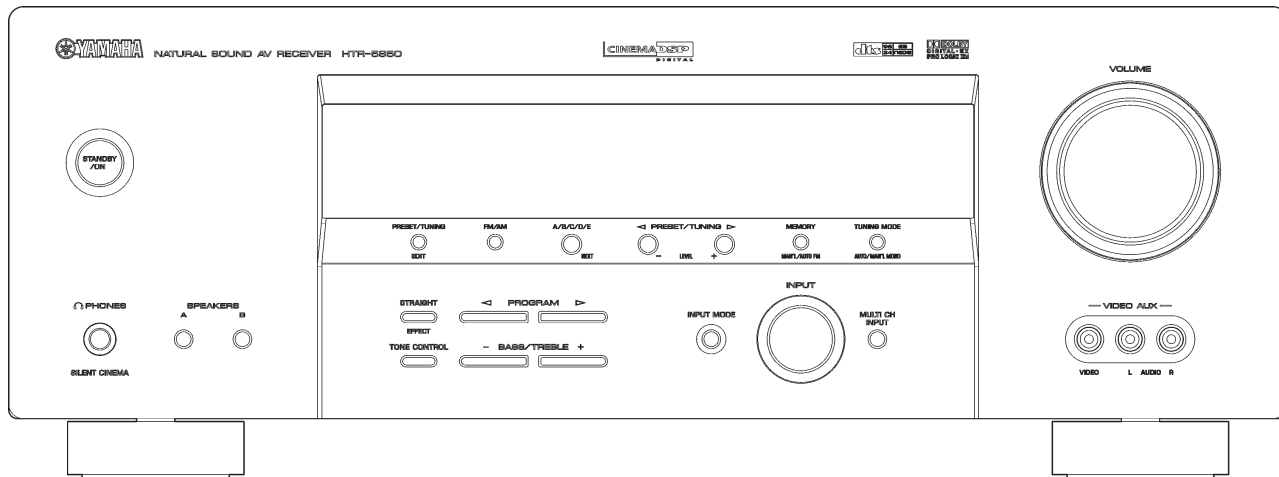


RX-V557/HTR-5850/DSP-AX557
 RX-V457/HTR-5840/DSP-AX457

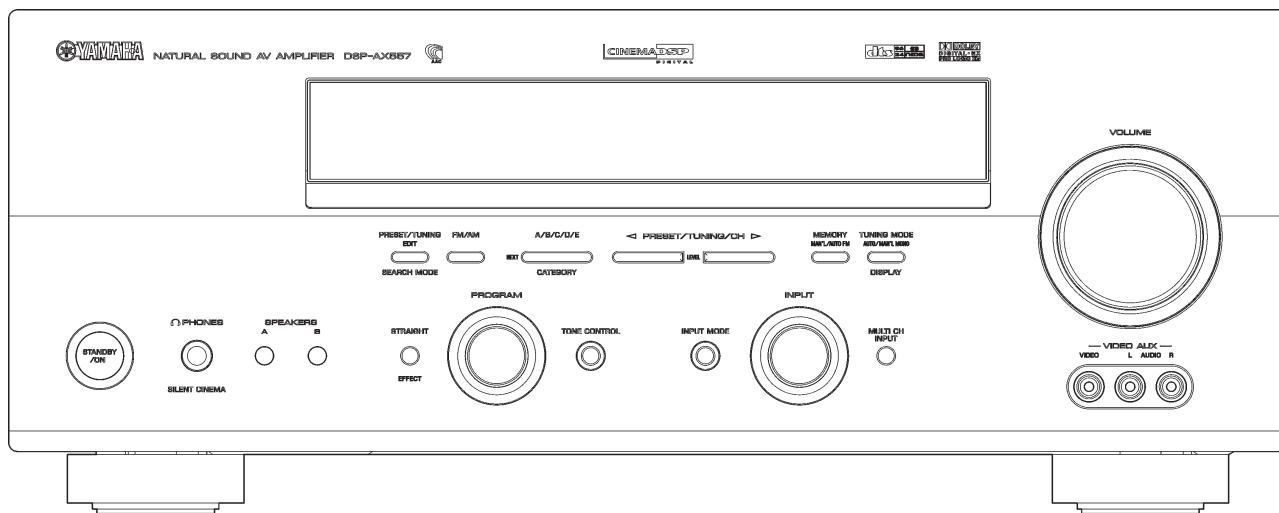
HTR-5850 (U, C models)



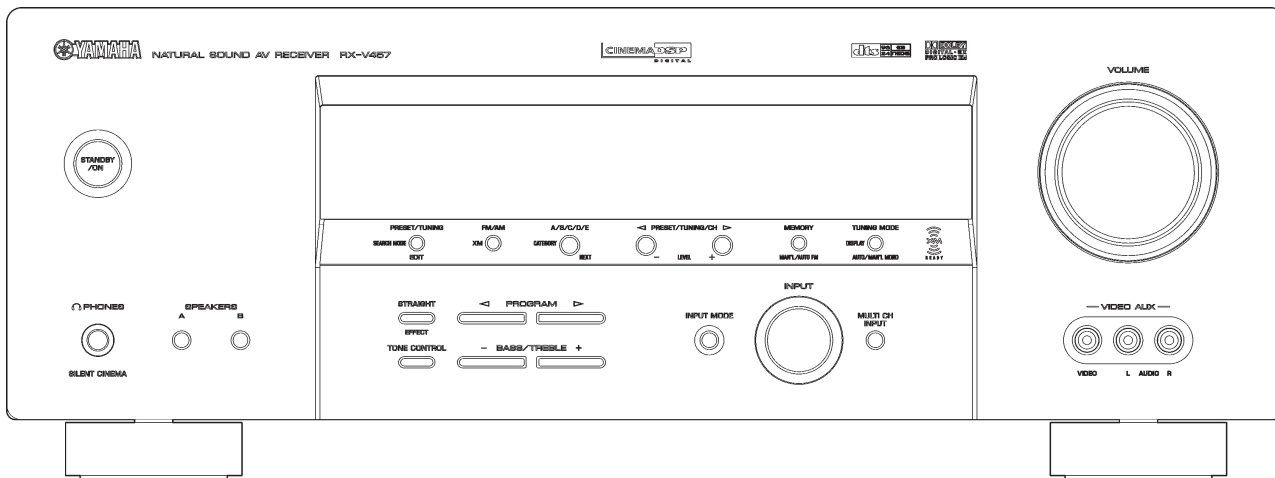
HTR-5850 (T, K, A models)



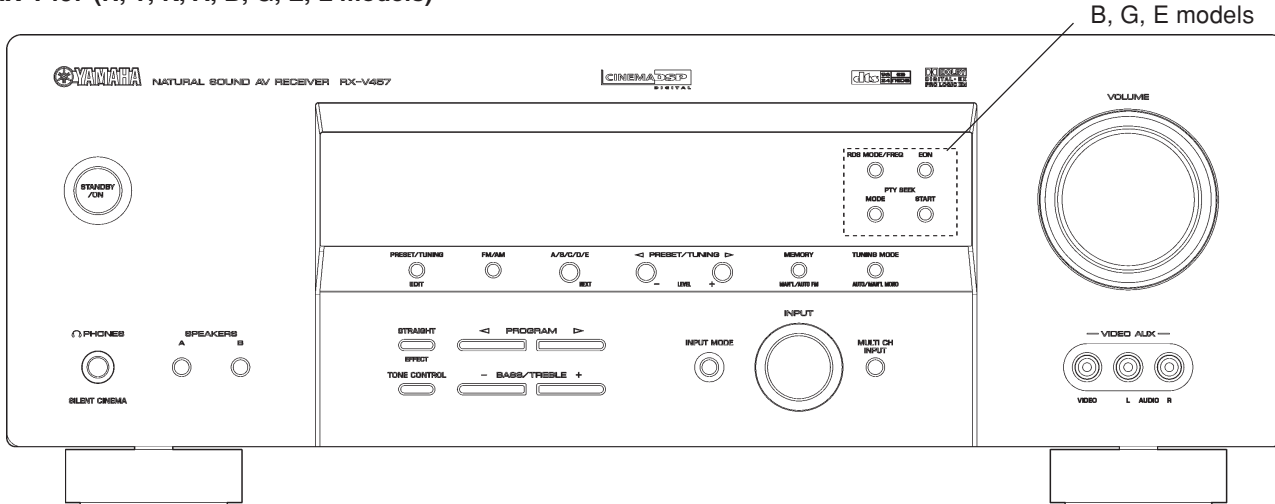
DSP-AX557 (J model)



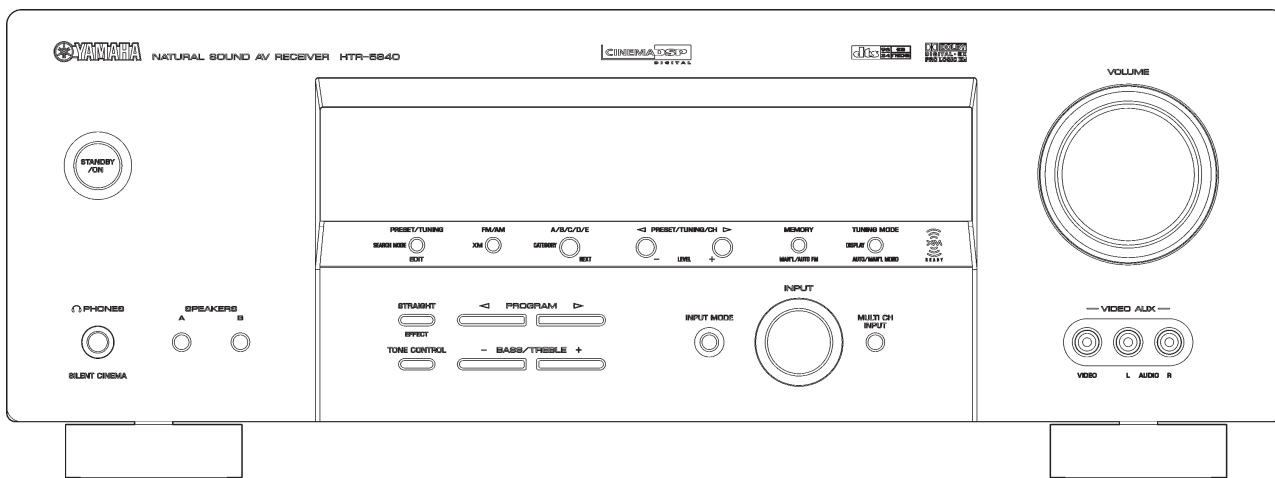
RX-V457 (U, C models)



RX-V457 (R, T, K, A, B, G, E, L models)



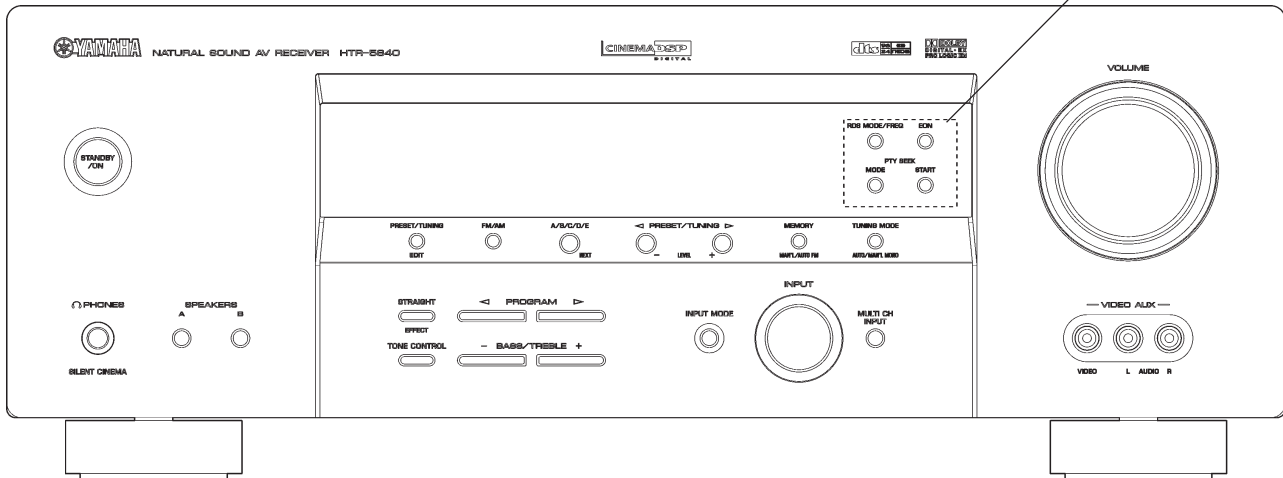
HTR-5840 (U, C models)



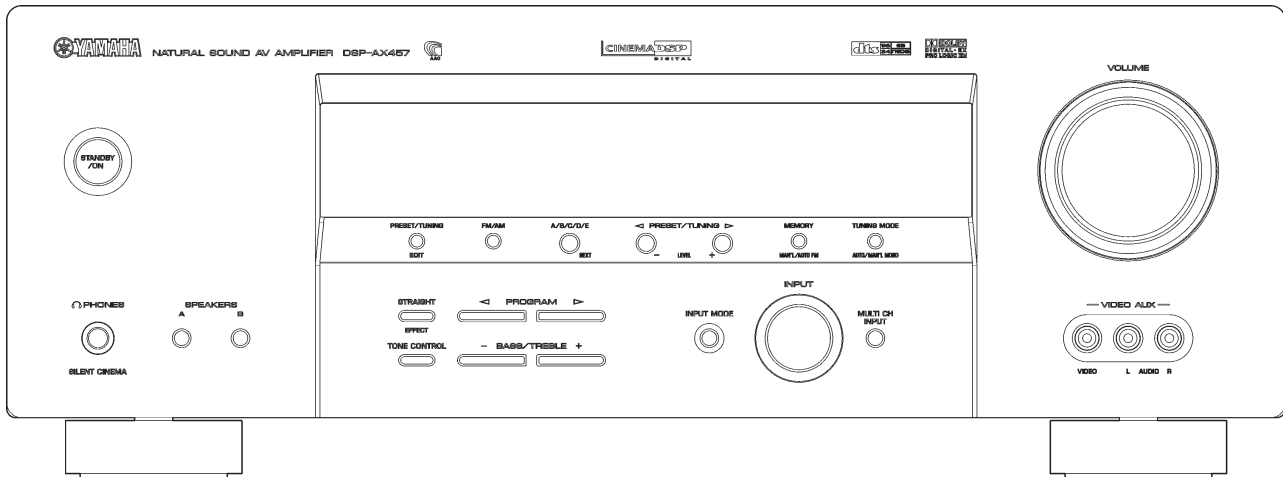
RX-V557/HTR-5850/DSP-AX557
RX-V457/HTR-5840/DSP-AX457

HTR-5840 (T, K, A, B, G, E models)

B, G, E models

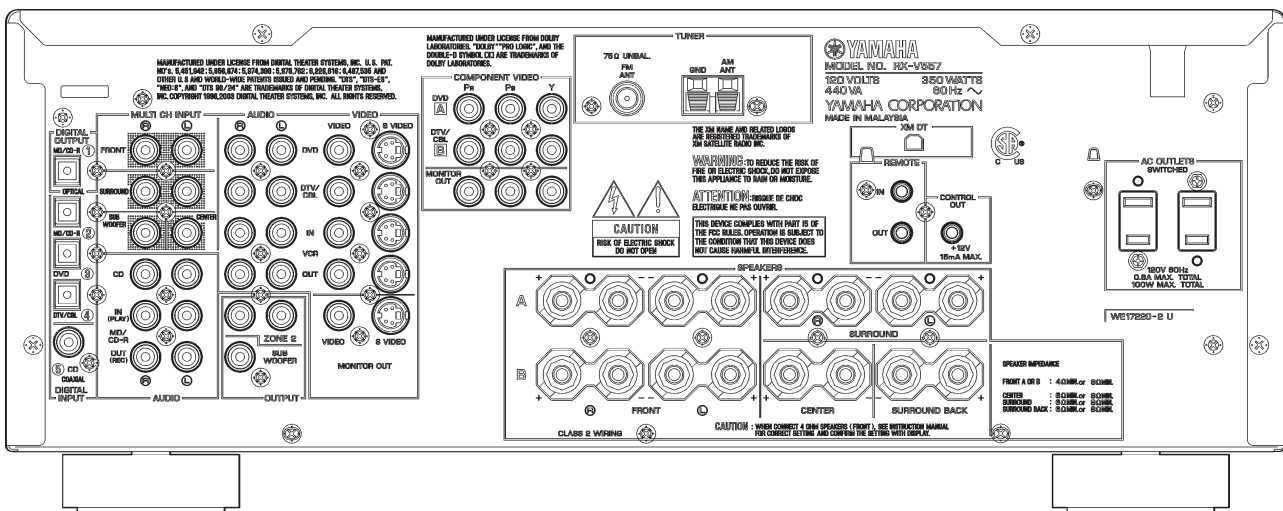


DSP-AX457 (J model)

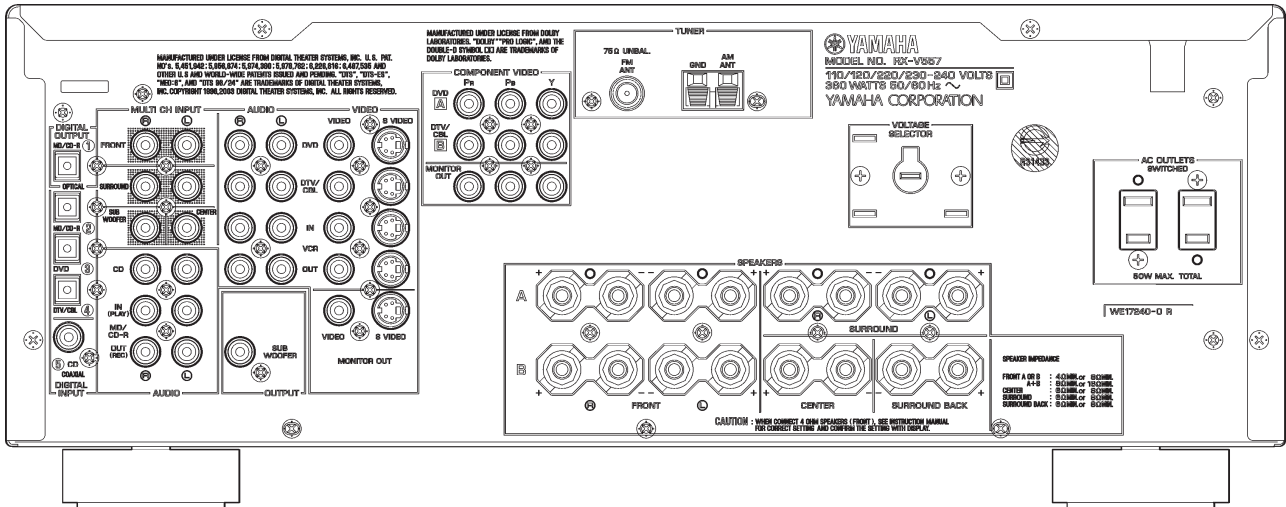


REAR PANELS

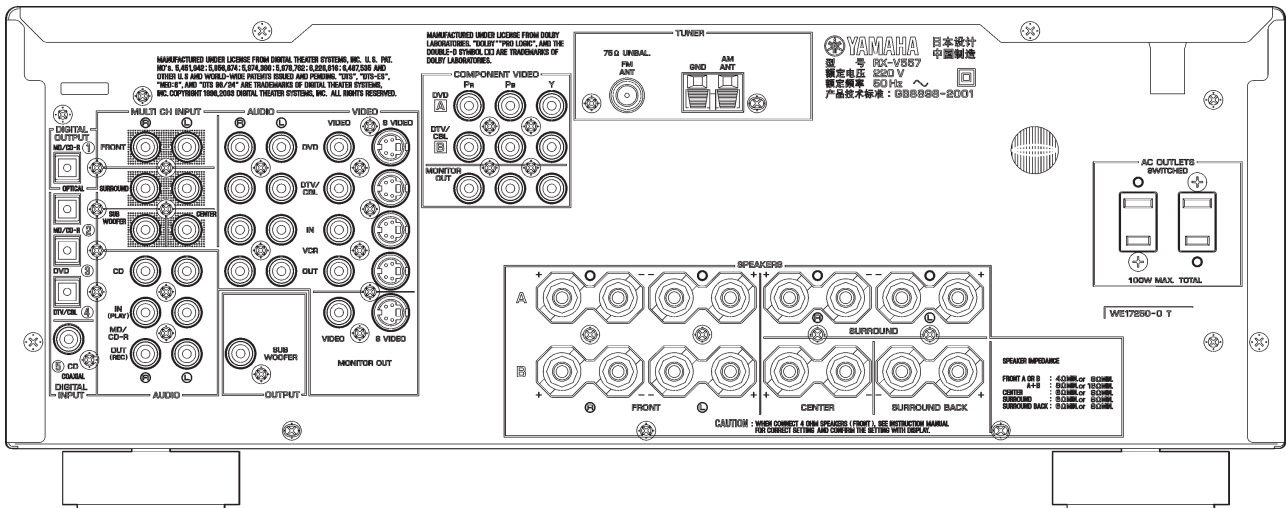
RX-V557 (U, C models)



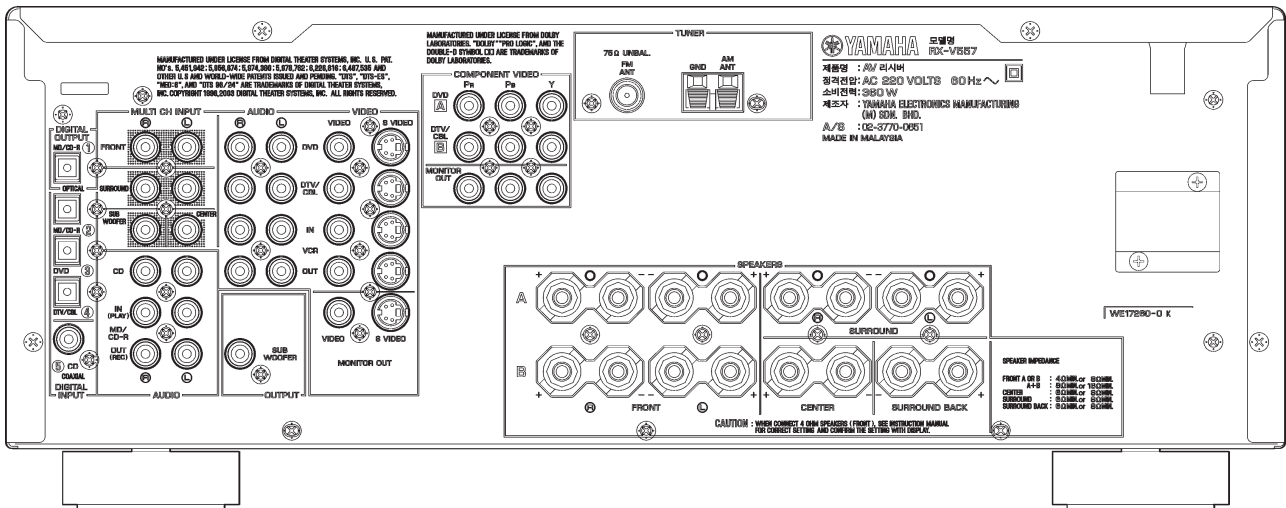
RX-V557 (R model)



RX-V557 (T model)

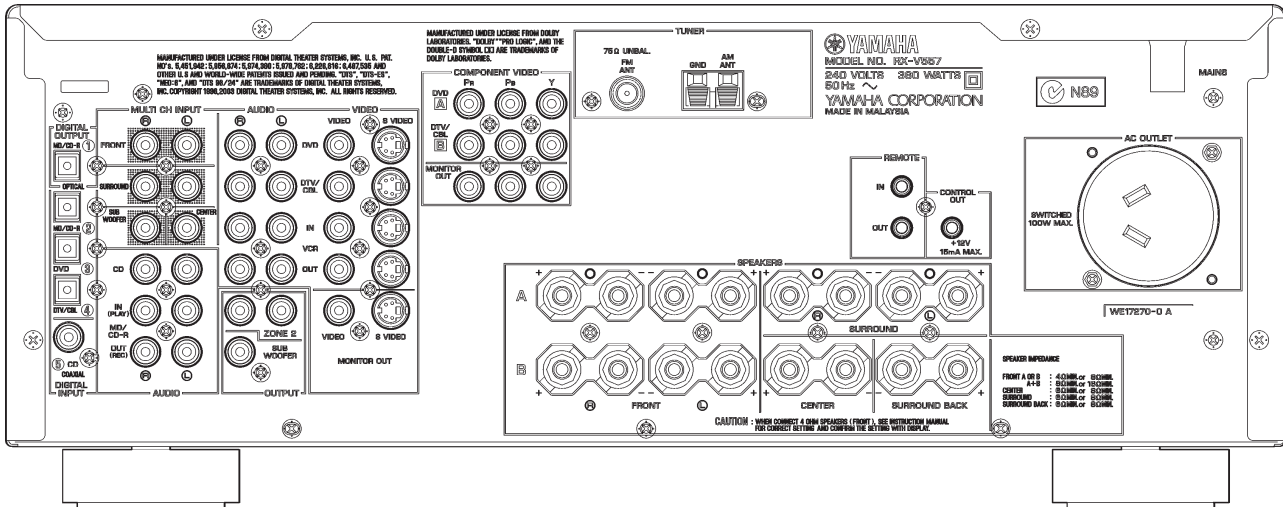


RX-V557 (K model)

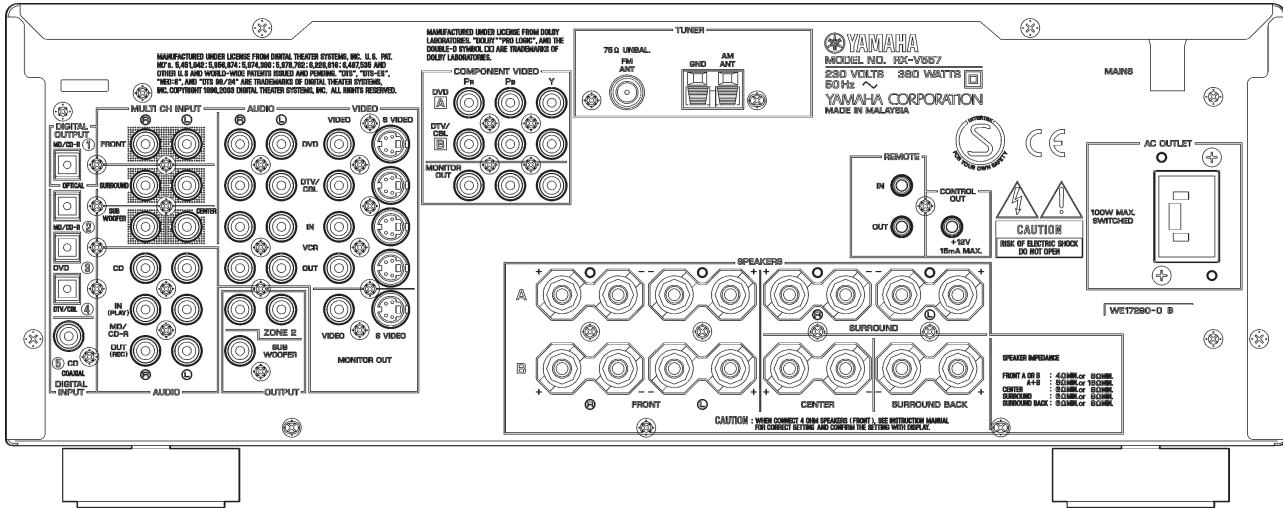


RX-V557/HTR-5850/DSP-AX557
RX-V457/HTR-5840/DSP-AX457

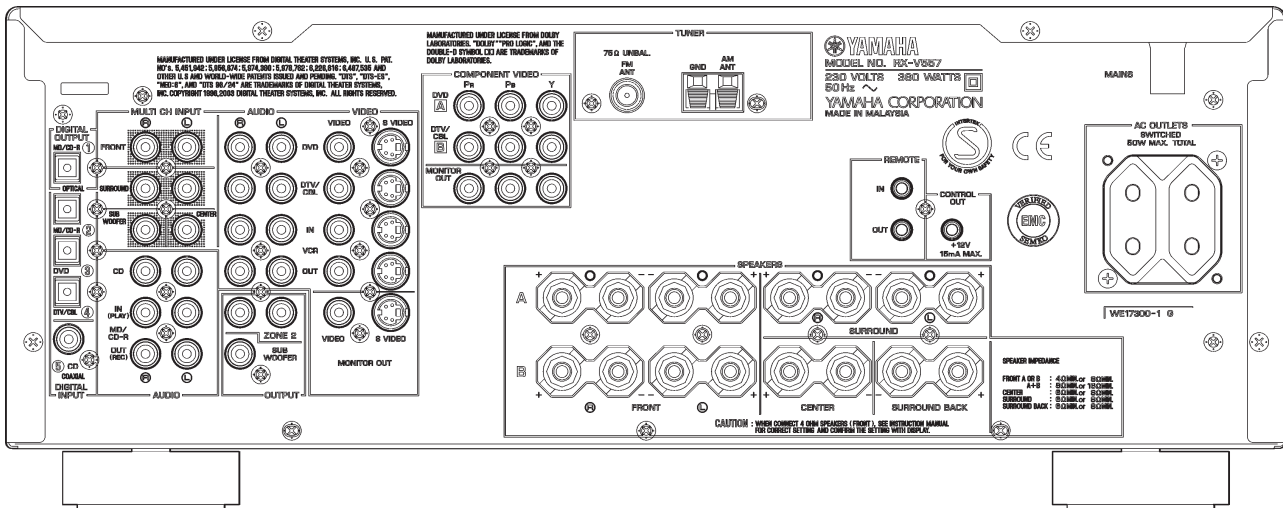
RX-V557 (A model)



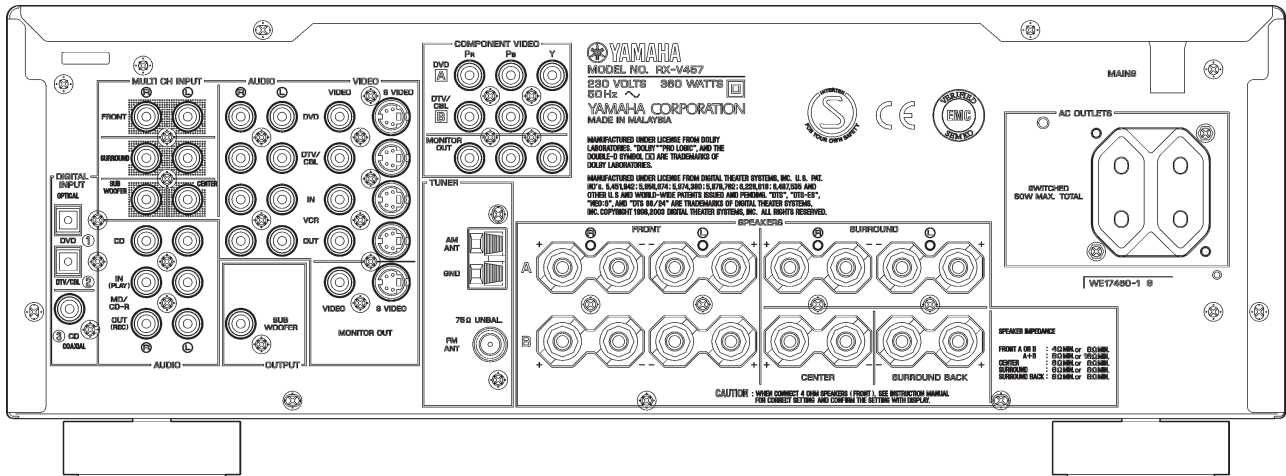
RX-V557 (B model)



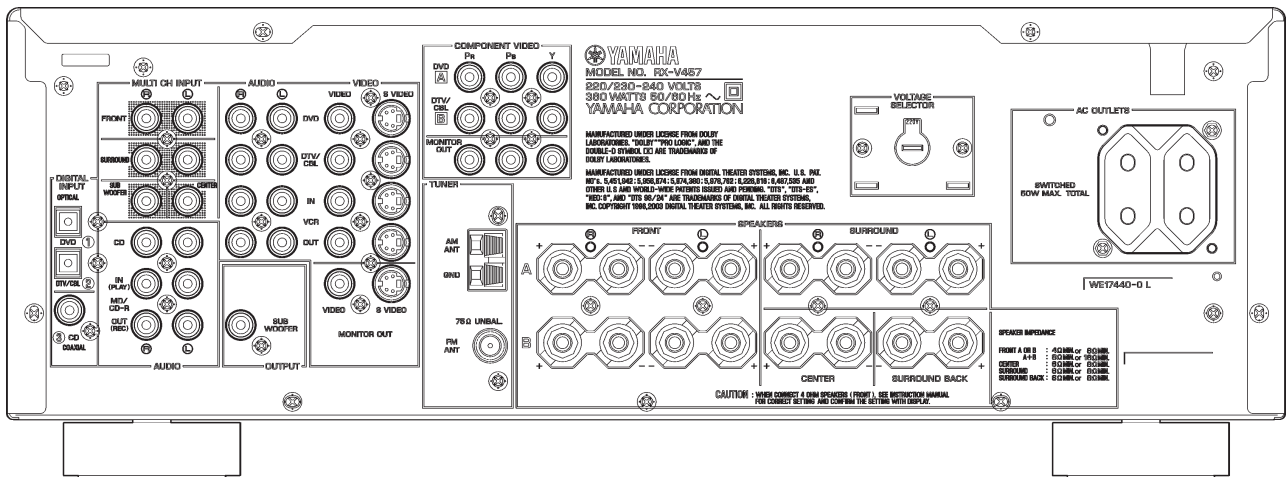
RX-V557 (G, E models)



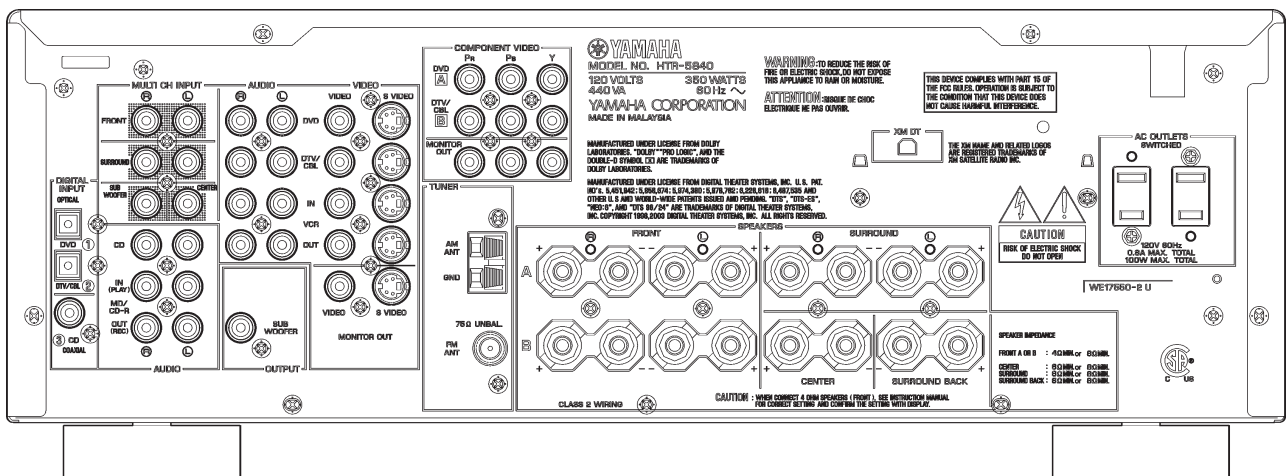
RX-V457 (G, E models)



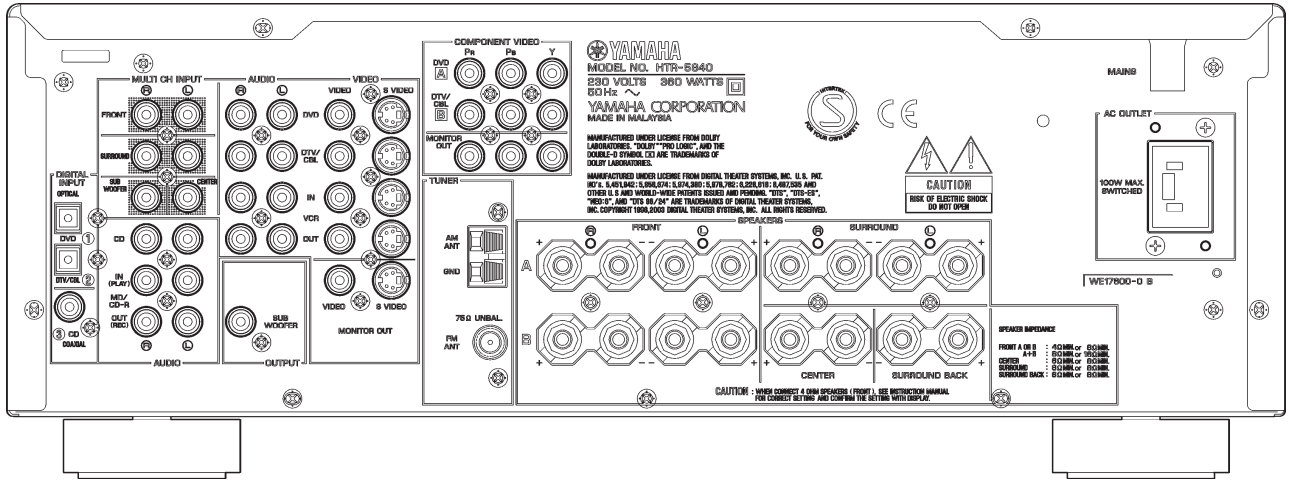
RX-V457 (L model)



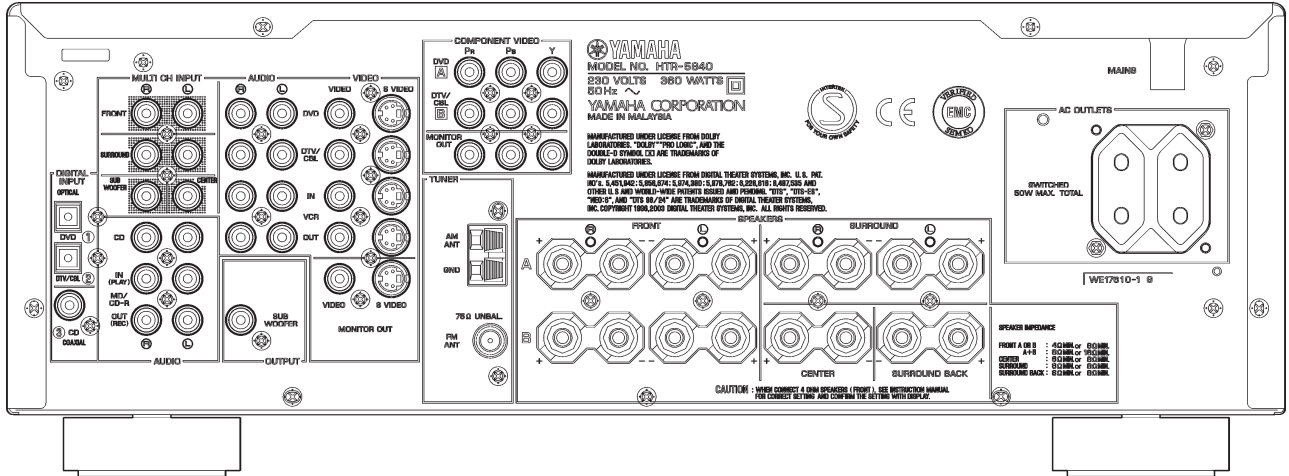
HTR-5840 (U, C models)



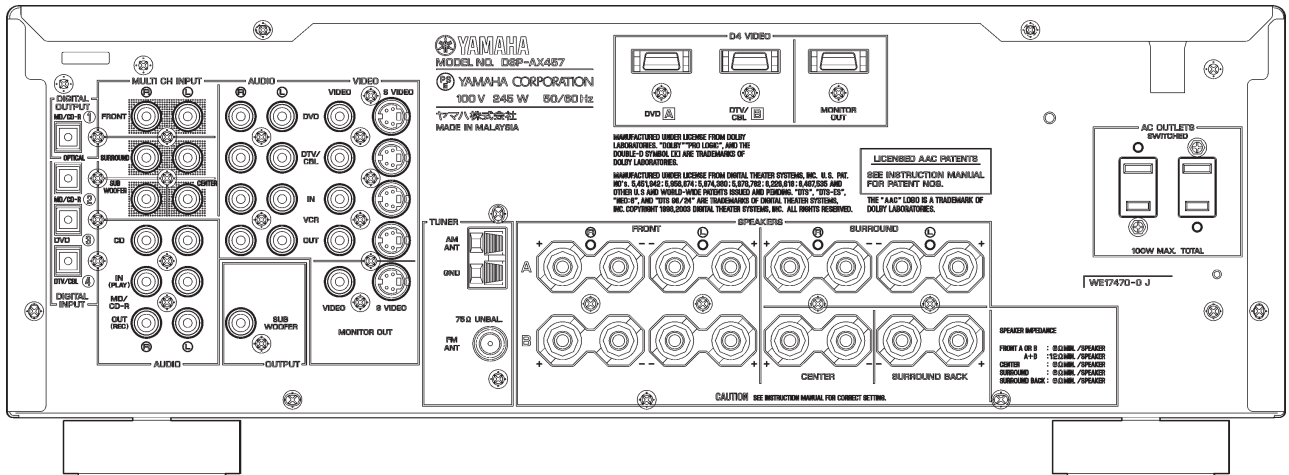
HTR-5840 (B model)



HTR-5840 (G, E models)



DSP-AX457 (J model)



■ SPECIFICATIONS / 参考仕様

■ Audio Section / オーディオ部

Minimum RMS Output Power (Power Amp. Section) / 定格出力 (パワーアンプ部)

[RX-V557]
(20 Hz to 20 kHz, 0.09% THD, 8 ohms)

FRONT L/R	90 W + 90 W
CENTER	90 W
SURROUND L/R	90 W + 90 W
SURROUND BACK	90 W

[HTR-5850]
(1 kHz, 0.7% THD, 8 ohms)

FRONT L/R	105 W + 105 W
CENTER	105 W
SURROUND L/R	105 W + 105 W
SURROUND BACK	105 W

[DSP-AX557] (J model)
(20 Hz to 20 kHz, 0.09% THD, 6 ohms)

FRONT L/R	90 W + 90 W
CENTER	90 W
SURROUND L/R	90 W + 90 W
SURROUND BACK	90 W

[RX-V457]
(20 Hz to 20 kHz, 0.09% THD, 8 ohms)

FRONT L/R	85 W + 85 W
CENTER	85 W
SURROUND L/R	85 W + 85 W
SURROUND BACK	85 W

[HTR-5840]
(1 kHz, 0.7% THD, 8 ohms)

FRONT L/R	100 W + 100 W
CENTER	100 W
SURROUND L/R	100 W + 100 W
SURROUND BACK	100 W

[DSP-AX457] (J model)
(20 Hz to 20 kHz, 0.09% THD, 6 ohms)

FRONT L/R	85 W + 85 W
CENTER, REAR CENTER	85 W
SURROUND L/R	85 W + 85 W
SURROUND BACK	85 W

Maximum Power / 実用最大出力 (EIAJ) (1 kHz, 10% THD)

[RX-V557/HTR-5850] (R, T, K, L models)

FRONT L/R (8 ohms)	130 W + 130 W
CENTER, REAR CENTER (8 ohms)	130 W
SURROUND L/R (8 ohms)	130 W + 130 W
SURROUND BACK (8 ohms)	130 W

[DSP-AX557] (J model)

FRONT L/R (6 ohms)	130 W + 130 W
CENTER, REAR CENTER (6 ohms)	130 W
SURROUND L/R (6 ohms)	130 W + 130 W
SURROUND BACK (6 ohms)	130 W

[RX-V457/HTR-5840] (R, T, K, L models)

FRONT L/R (8 ohms)	125 W + 125 W
CENTER, REAR CENTER (8 ohms)	125 W
SURROUND L/R (8 ohms)	125 W + 125 W
SURROUND BACK (8 ohms)	125 W

[DSP-AX457] (J model)

FRONT L/R (6 ohms)	125 W + 125 W
CENTER, REAR CENTER (6 ohms)	125 W
SURROUND L/R (6 ohms)	125 W + 125 W
SURROUND BACK (6 ohms)	125 W

DIN Standard Output Power Per Channel / DINパワー (1 kHz, 0.7% THD, 4 ohms)

[RX-V557/HTR-5850] (B, G, E models)

FRONT L/R	135 W + 135 W
CENTER	135 W
SURROUND L/R	135 W + 135 W
SURROUND BACK	135 W

[RX-V457/HTR-5840] (B, G, E models)

FRONT L/R	130 W + 130 W
CENTER	130 W
SURROUND L/R	130 W + 130 W
SURROUND BACK	130 W

IEC Power / IECパワー (1 kHz, 0.06% THD, 8 ohms)

[RX-V557/HTR-5850] (B, G, E, L models)

FRONT L/R	100 W + 100 W
-----------	---------------

[RX-V457/HTR-5840] (B, G, E, L models)

FRONT L/R	95 W + 95 W
-----------	-------------

Dynamic Power Per Channel / ダイナミックパワー (IHF) (8/6/4/2 ohms)

[RX-V557/HTR-5850]

FRONT L/R	120/155/190/235 W
-----------	-------------------

[DSP-AX557] (J model)

FRONT L/R	~130/160/205 W
-----------	----------------

[RX-V457/HTR-5840]

FRONT L/R	115/150/185/230 W
-----------	-------------------

[DSP-AX457] (J model)

FRONT L/R	~125/155/200 W
-----------	----------------

Dynamic Headroom / ダイナミックヘッドルーム (8 ohms)

[RX-V557/HTR-5850] (U, C models) 1.25 dB
[RX-V457/HTR-5840] (U, C models) 1.31 dB

Damping Factor / ダンピングファクタ

20 Hz to 20 kHz, SPEAKER-A 120 or more

Input Sensitivity / Input Impedance (入力感度/入力インピーダンス)

CD, etc. 200 mV / 47 k-ohms
MULTI CH IN
FRONT L/R, CENTER, SURROUND L/R, SUB WOOFER
..... 200 mV / 47 k-ohms

Maximum Input Signal Level / 最大許容入力 (1 kHz, 0.5% THD)

CD, etc. (Effect On) 2.2 V or more

Output Level / Output Impedance (出力電圧/出力インピーダンス)

REC OUT 200 mV / 1.2 k-ohms
20 Hz SUB WOOFER 4 V / 1.2 k-ohms

[RX-V557] (U, C, A, B, G, E models)

ZONE2 OUT 200 mV / 1.2 k-ohms

Headphone Jack Rated Output / Impedance (ヘッドフォン出力/出力インピーダンス)

CD, etc. (1 kHz, 50 mV, 8 ohms) 150 mV / 100 ohms

Frequency Response / 周波数特性

CD, etc. to FRONT L/R (10 Hz to 100 kHz) +0/-3.0 dB

Total Harmonic Distortion / 全高調波歪率

(20 Hz to 20 kHz, 40 W, 8 ohms)
CD, etc. (Effect Off) to FRONT L/R SP OUT 0.06 % or less

Signal to Noise Ratio / 信号対雑音比 (IHF-A Network)

CD, etc. (Input shorted) SP OUT
250 mV 100 dB or more

Residual Noise / 残留ノイズ (IHF-A Network)

FRONT L/R SP OUT 150 μV or less

Channel Separation / チャンネルセパレーション

CD, etc. (Input 5.1 k-ohms shorted, 1 kHz/10 kHz)
60 dB or more/45 dB or more

Tone Control Characteristics / トーンコントロール特性

BASS
Boost/Cut ±10 dB (60 Hz)
TREBLE
Boost/Cut ±10 dB (20 kHz)

Filter Characteristics / フィルター特性

FRONT L/R, CENTER, SURROUND L/R, SURROUND BACK SP
Small (H.P.F.)
fc= 40/60/80/90/100/110/120/160/200 Hz / 12 dB/oct.
SUBWOOFER (L.P.F.)
fc= 40/60/80/90/100/110/120/160/200 Hz / 24 dB/oct.

■ Video Section / ビデオ部

Video Signal Type / ビデオ信号方式

U, C, R, K, J models NTSC
T, A, B, G, E, L models PAL

Video Signal Type (Video Conversion) / ビデオ信号方式 (ビデオコンバージョン)

[RX-V557/HTR-5850/DSP-AX557]
U, C, R, K, A, B, G, E, L, J models NTSC
R, T, A, B, G, E, L models PAL

Composite Video Signal Level / コンポジットビデオ信号

1 Vp-p / 75 ohms

S-Video Signal Level / Sビデオ信号

Y 1 Vp-p / 75 ohms
C 0.286 Vp-p / 75 ohms

Component Signal Level (U, C, R, T, K, A, B, G, E, L models)

Y 1 Vp-p / 75 ohms
Cb/Cr 0.7 Vp-p / 75 ohms

D4-Video Signal Level / D4端子ビデオ信号 (J model)
Y 1 Vp-p / 75 ohms
Cb/Cr 0.7 Vp-p / 75 ohms
Maximum Input Level / 最大許容入力 1.5 Vp-p or more
Signal to Noise Ratio / 信号対雑音比 50 dB or more
Monitor Out Frequency Response / モニターアウト周波数帯域
Composite Video Signal Level,
S-Video Signal Level 5 Hz to 10 MHz, -3 dB
D4-Video Signal Level (J model) 5 Hz to 60 MHz, -3 dB
[RX-V557/HTR-5850/DSP-AX557]
Component Video Signal Level 5 Hz to 60 MHz, -3 dB
[RX-V457/HTR-5840/DSP-AX457]
Component Video Signal Level (U, C, R, T, K, A, B, G, E, L models)
5 Hz to 60 MHz, -3 dB

■ **FM Section / FM部**

Tuning Range / 受信周波数範囲
U, C models 87.5 to 107.9 MHz
R, L models 87.5 to 108.0 / 87.50 to 108.00 MHz
T, K, A, B, G, E models 87.50 to 108.00 MHz
J model 76.0 to 90.0 MHz
50 dB Quietng Sensitivity / 50 dB SN感度 (IHF) (1 kHz, 100% Mod.)
Mono / Stereo 2.0 μV (17.3 dBf) / 25 μV (39.2 dBf)
Usable Sensitivity / 実用感度 (IHF)
Mono 1.0 μV (11.2 dBf)
Selectivity / 選択度 (400 kHz) 70 dB
Signal to Noise Ratio / 信号対雑音比 (IHF)
Mono / Stereo 76 dB / 70 dB
Harmonic Distortion / 歪率 (1 kHz)
Mono/Stereo 0.2 / 0.3 %
Stereo Separation / ステレオセパレーション
1 kHz 42 dB
Frequency Response / 周波数特性
20 Hz to 15 kHz +0.5 / -2 dB
Antenna Input / アンテナ入力 75 ohms unbalanced

■ **AM Section / AM部**

Tuning Range / 受信周波数範囲
U, C models 530 to 1,710 kHz
R, L models 530 to 1,710 / 531 to 1,611 kHz
T, K, A, B, G, E, J models 531 to 1,611 kHz
Usable Sensitivity / 実用感度 300 μV/m
Antenna / アンテナ入力 Loop Antenna

■ **General / 総合**

Power Supply / 電源電圧
U, C models AC 120 V, 60 Hz
R model AC 110/120/220/230-240 V, 50/60 Hz
T model AC 220 V, 50 Hz
K model AC 220 V, 60 Hz
A model AC 240 V, 50 Hz
B, G, E models AC 230 V, 50 Hz
L model AC 220/230-240 V, 50/60 Hz
J model AC 100V, 50/60 Hz

Power Consumption / 消費電力
U, C models 350 W / 440 VA
R, T, K, A, B, G, E, L models 360 W
J model 245 W
Standby Power Consumption (reference data) / 待機時消費電力 (参考値)
AC240 V / 50 Hz 0.1 W

Maximum Power Consumption (R model)
6ch Drive, 10% THD 700 W

AC Outlets / ACアウトレット
2 Switched Outlets
U, C, T, J models 100 W max. total
R, G, E, L models 50 W max. total
1 Switched Outlet
A, B models 100 W max.

Dimensions / 寸法 (W x H x D)
[RX-V557/DSP-AX557]
435 x 171 x 420.3 mm (17-1/8" x 6-3/4" x 16-9/16")
[HTR-5850/RX-V457/HTR-5840/DSP-AX457]
435 x 161 x 419.3 mm (17-1/8" x 6-5/16" x 16-1/2")

Weight / 質量 11.0 kg (24 lbs. 4 oz.)

Finish / 仕上げ
[RX-V557]
Gold color R, T, K models
Black color U, C, R, A, B, G, E models
Titanium color C, A, B, G, E, L models

[HTR-5850]
Gold color T model
Black color U, C models
Silver color U, C, K, A models

[DSP-AX557]
Gold color J model

[RX-V457]
Gold color R, T, K, L models
Black color U, C, R, A, B, G, E models
Silver color R, K, L models
Titanium color C, A, B, G, E models

[HTR-5840]
Gold color T model
Black color U, C, G, E models
Silver color U, C, K, A, B, G, E models

[DSP-AX457]
Gold color J model
Silver color J model

Accessories / 付属品
Remote Control x 1, Batteries (Manganese Dry) x 4 (RAV254/RAV255), Batteries x 2 (RAV304), Indoor FM Antenna x 1, AM Loop Antenna x 1, Antenna Adapter x 1 [PAL 75/300 ohms] (B model)

* Specifications are subject to change without notice due to product improvements.

※ 参考仕様および外観は予告なく変更されることがあります。

U U.S.A. model C Canadian model
R General model T Chinese model
K Korean model A Australian model
B British model G European model
E South European model L Singapore model
J Japanese model



Manufactured under license from Dolby Laboratories. "Dolby", "Pro Logic", "Surround EX", and the double-D symbol are trademarks of Dolby Laboratories.

ドルビーラボラトリーズからの実施権により製造されています。「ドルビー」、「PRO LOGIC」、「Surround EX」およびダブルD記号DDは、ドルビーラボラトリーズの商標です。

SILENT™
CINEMA

"SILENT CINEMA" is a trademark of YAMAHA CORPORATION.

「サイレントシネマ/SILENT CINEMA」はヤマハ株式会社の登録商標です。



"DTS", "DTS-ES", "Neo:6" and "DTS 96/24" are trademarks of Digital Theater Systems, Inc.

DTS, DTS-ES Extended Surround, Neo:6およびDTS 96/24はデジタルシアターシステムズの登録商標です。

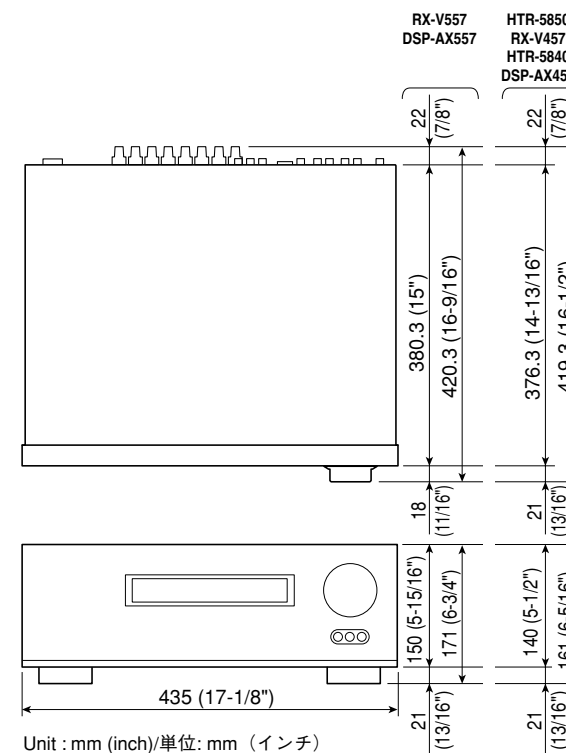


The XM name and related logos are registered trademarks of XM Satellite Radio Inc.



AACロゴマークはドルビーラボラトリーズの商標です。

• **DIMENSIONS / 寸法図**



• **The variable range of the parameter (Min/Max/Step) / パラメーターの可変範囲 (最小/最大/ステップ)**

PARAMETER NAME	PROGRAM NAME										UNIT			
	MUSIC				ENTERTAINMENT		TV THEATER		MOVIE THEATER	PRO LOGIC		PRO LOGIC II / IIx	DTS Neo:6	
	Hall in Vienna	The Bottom Line	The Roxy Thtr	Rock/Pop	DISC	GAME	MONO MOVIE	TV SPORTS			MOVIE/GAME	MUSIC	CINEMA/MUSIC	
DSP LEVEL	-6/3/1	-6/3/1	-6/3/1	-6/3/1	-6/3/1	-6/3/1	-6/3/1	-6/3/1	-6/3/1	-6/3/1				dB
INIT. DEY	1/99/1	1/99/1	1/99/1		1/99/1		1/99/1		1/99/1	1/99/1				ms
ROOM SIZE	0.1/2.0/0.1	0.1/2.0/0.1	0.1/2.0/0.1				0.1/2.0/0.1		0.1/2.0/0.1	0.1/2.0/0.1				
LIVENESS	0/10/1	0/10/1	0/10/1		0/10/1		0/10/1		0/10/1	0/10/1				
P. INIT. DLY				1/99/1		1/99/1		1/99/1						ms
P. ROOM SIZE				0.1/2.0/0.1		0.1/2.0/0.1		0.1/2.0/0.1						
P. LIVENESS														
S. INIT. DLY				1/49/1		1/49/1		1/49/1						ms
S. ROOM SIZE				0.1/2.0/0.1		0.1/2.0/0.1		0.1/2.0/0.1						
S. LIVENESS														
SB. INIT. DLY				1/49/1		1/49/1		1/49/1						ms
SB. RM SIZE				0.1/2.0/0.1		0.1/2.0/0.1		0.1/2.0/0.1						
SB. LIVENESS														
REV. TIME		1.0/5.0/0.1			1.0/5.0/0.1		1.0/5.0/0.1							s
REV. DLY		0/250/1			0/250/1		0/250/1							ms
REV. LEVEL		0/100/1			0/100/1		0/100/1							%
PLII/PLIix											PLII/PLIix	PLII/PLIix		
PANORAMA											OFF/ON	OFF/ON	OFF/ON	
DIMENSIONS											-3/3/1	-3/3/1	-3/3/1	
CT WIDTH											0/7/1	0/7/1		
C. IMAGE											0.1/1.0/0.1	0.1/1.0/0.1	0/1.0/0.1	

7ch STEREO PARAMETER		
CT LEVEL	0/100/1	%
SL LEVEL	0/100/1	%
SR LEVEL	0/100/1	%
SB1 LEVEL	0/100/1	%
SB2 LEVEL	0/100/1	%

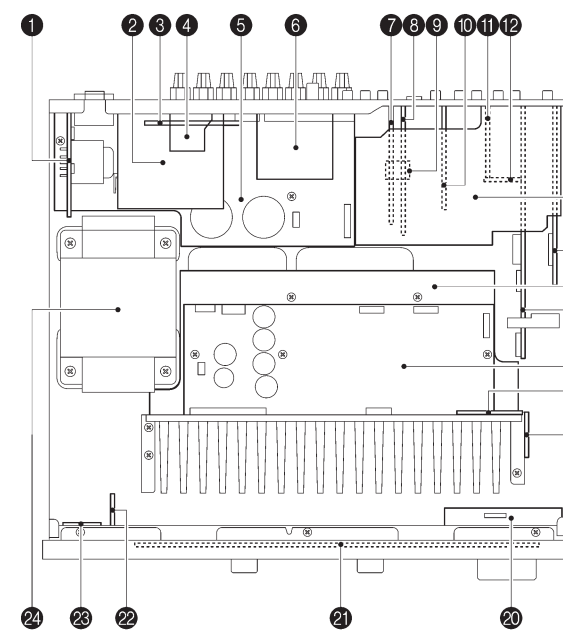
• Set Menu Table / セットメニュー

CATEGORY	MAIN MENU	SUB MENU	SELECT MENU	VALUE [INITIAL]
• BASIC SETUP			ROOM : S >M L	S / [M] / L
			SUBWOOFER : YES	[YES] / NONE
			SPEAKERS : 6spk	2 / 3 / 4 / 5 / [6]
			>SET CANCEL	[SET] / CANCEL
			CHECK OK? : YES	[YES] / NO
			FR ***** *****	± 10.0 dB step
			C ***** *****	
			SL ***** *****	
			SB ***** *****	
			SR ***** *****	
SWFR ***** *****				
• MANUAL SETUP	1 SOUND MENU	A) SPEAKER SET	FRONT : LARGE	SMALL / [LARGE]
			CENTER : SML	NONE / [SML] / LRG
			SUR LR : SML	
			SUR B : SML	
			BASS OUT : BOTH	SWFR / FRONT / [BOTH]
			Cross Over : 80 Hz	40 / 60 / [80] / 90 / 100 / 110 / 120 / 160 / 200 Hz
			SWFR PHASE : NRM	[NRM] / REV
		B) SP LEVEL	FL ***** *****	-10.0 dB to +10.0 dB [0.0 dB] / 1.0 dB step
			FR ***** *****	
			C ***** *****	
			SL ***** *****	
			SR ***** *****	
			SB ***** *****	
			SWFR ***** *****	
		C) SP DISTANCE	UNIT : feet	feet (U, C models) / meters (R, T, K, A, B, G, E, L, J models)
			FRONT L 10.0 ft / 3.00 m	feet : 1.0 ft to 80.0 ft [10.0 ft] / 0.5 ft step meters : 0.30 m to 24.00 m [3.00 m] / 0.10 m step
			FRONT R 10.0 ft / 3.00 m	
			CENTER 10.0 ft / 3.00 m	
			SUR. L 10.0 ft / 3.00 m	
			SUR. R 10.0 ft / 3.00 m	
			SUR. B 10.0 ft / 3.00 m	
		SWFR 10.0 ft / 3.00 m		
		D) CENTER GEQ	TEST : >OFF ON	[OFF] / ON
			100 Hz - - 0	-6 dB to +6 dB [0 dB] / 1 dB step
			300 Hz - - 0	
			1 kHz - - 0	
			3 kHz - - 0	
		10 kHz - - 0		
		E) LFE LEVEL	SP LFE : 0	-20 dB to 0 dB [0 dB] / 1 step
			HP LFE : 0	
F) D . RANGE	SP D . R : MAX	MIN / STD / [MAX]		
	HP D . R : MAX			
G) AUDIO SET	MUTE TYP : MUTE	-20 dB / [MUTE]		
	A. DELAY : 0 ms	0 ms to 160 ms / 1 step		
	TC. BYPASS : AUTO	OFF / [AUTO]		
	DUAL MONO : MAIN	[MAIN] / SUB / ALL (J model)		

CATEGORY	MAIN MENU	SUB MENU	SELECT MENU	VALUE [INITIAL]
	2 INPUT MENU	A) I/O ASSIGN	C . V [A] : DVD	[DVD] / VCR / V-AUX / DTV/CBL
			C . V [B] : DTV/CBL	--- / VCR / V-AUX / [DTV/CBL]
			OUT (1) : MD/CD-R	[MD/CD-R] / CD / VCR / V-AUX / DTV/CBL / DVD
			IN (2) : MD/CD-R	(RX-V557, HTR-5850, DSP-AX557)
			IN (3) : DVD	--- / CD / VCR / V-AUX / DTV/CBL / [DVD]
			IN (4) : DTV/CBL	--- / CD / VCR / V-AUX / [DTV/CBL] / DVD
		IN (5) : CD	MD/CD-R / [CD] / VCR / V-AUX / DTV/CBL / DVD	
		B) INPUT MODE	> AUTO / LAST	[AUTO] / LAST
		C) INPUT RENAME	CD	Input is possible to 8 characters / 最大8文字まで入力可能
			MD/CD-R	Input is possible Character type / 入力可能文字
	TUNER		CAPITAL / 英大文字 A to Z	
	DVD		SMALL / 英小文字 a to z	
			DTV/CBL	FIGURE / 数字 0 to 9
			V-AUX	Space / 空白
			VCR	MARK / 記号 # * - + / ; < > ? etc.
	3 OPTION MENU	A) DISPLAY SET	DIMMER : 0	-5 to 0 / 1 step
			V CONV. : ON	OFF / [ON]
		B) MEMORY GUARD	MEM. GUARD : OFF	[OFF] / ON
		C) PARAM. INI		
		D) MULTI ZONE	SP B : MAIN	[MAIN] / ZONE B
E) XM RADIO (U model)		ANTENNA : NONE	[NONE] / 0 % to 100 %	

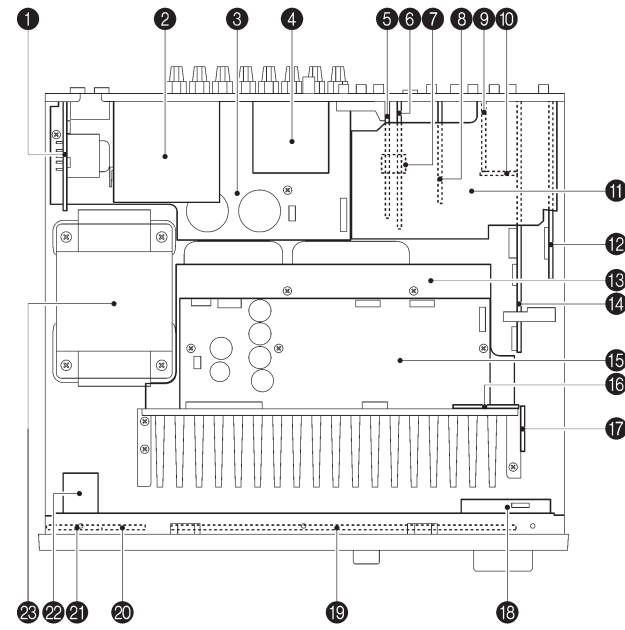
■ INTERNAL VIEW

RX-V557/DSP-AX557



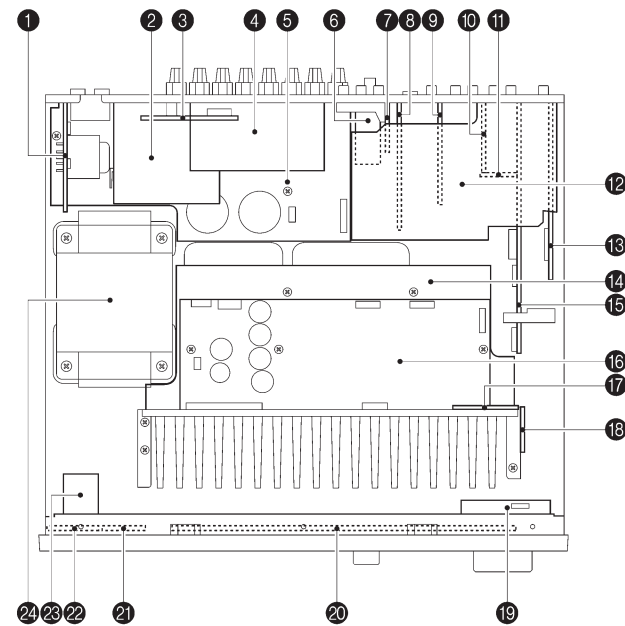
- ① SUBTRANS(1) P.C.B.
- ② XM P.C.B. (U, C models)
- ③ SUBTRANS(5) P.C.B. (R, L models)
- ④ SUBTRANS(8) P.C.B. (U, C, A, B, G, E models)
- ⑤ MAIN (2) P.C.B.
- ⑥ Tuner
- ⑦ CONVERSION P.C.B.
- ⑧ SUBTRANS(3) P.C.B.
- ⑨ SUBTRANS(10) P.C.B.
- ⑩ SUBTRANS(6) P.C.B.
- ⑪ SUBTRANS(7) P.C.B.
- ⑫ SUBTRANS(9) P.C.B.
- ⑬ SUBTRANS(2) P.C.B.
- ⑭ DSP P.C.B.
- ⑮ MAIN (1) P.C.B.
- ⑯ FUNCTION P.C.B.
- ⑰ POWER (1) P.C.B.
- ⑱ MAIN (5) P.C.B.
- ⑲ POWER (2) P.C.B.
- ⑳ OPERATION (5) P.C.B.
- ㉑ OPERATION (1) P.C.B.
- ㉒ OPERATION (3) P.C.B.
- ㉓ OPERATION (2) P.C.B.
- ㉔ Power Transformer

HTR-5850



- 1 SUBTRANS(1) P.C.B.
- 2 XM P.C.B. (U, C models)
- 3 MAIN (2) P.C.B.
- 4 Tuner
- 5 CONVERSION P.C.B.
- 6 SUBTRANS(3) P.C.B.
- 7 SUBTRANS(10) P.C.B.
- 8 SUBTRANS(6) P.C.B.
- 9 SUBTRANS(7) P.C.B.
- 10 SUBTRANS(9) P.C.B.
- 11 SUBTRANS(2) P.C.B.
- 12 DSP P.C.B.
- 13 MAIN (1) P.C.B.
- 14 FUNCTION P.C.B.
- 15 POWER (1) P.C.B.
- 16 MAIN (5) P.C.B.
- 17 POWER (2) P.C.B.
- 18 OPERATION (4) P.C.B.
- 19 OPERATION (1) P.C.B.
- 20 OPERATION (5) P.C.B.
- 21 OPERATION (2) P.C.B.
- 22 OPERATION (3) P.C.B.
- 23 Power Transformer

RX-V457/HTR-5840/DSP-AX457

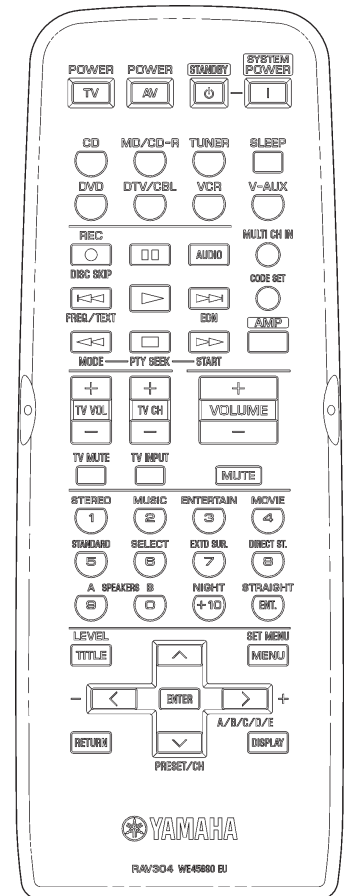
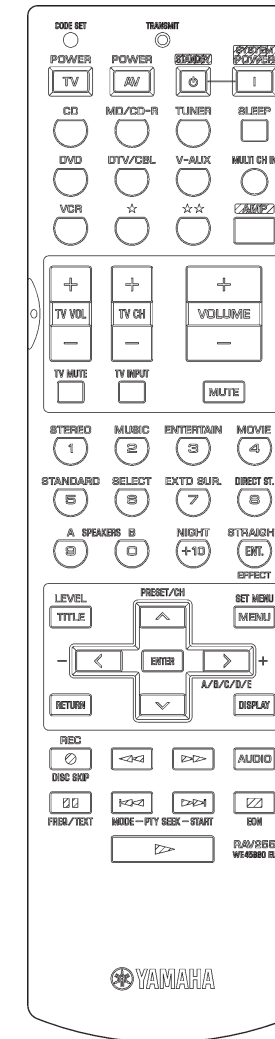
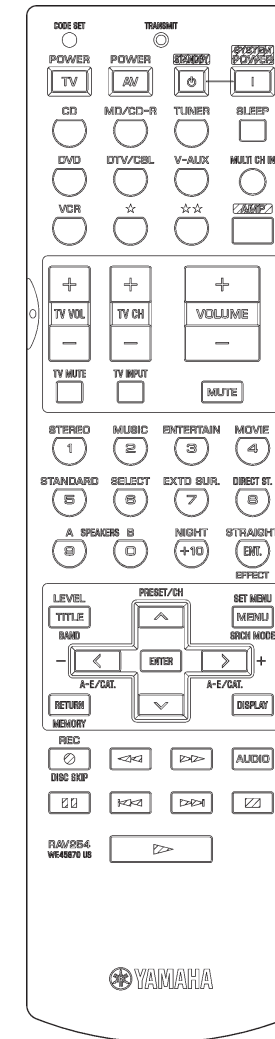


- 1 SUBTRANS(1) P.C.B.
- 2 XM P.C.B. (U, C models)
- 3 SUBTRANS(5) P.C.B. (R, L models)
- 4 VIDEO P.C.B. (J model)
- 5 MAIN (2) P.C.B.
- 6 Tuner
- 7 SUBTRANS(4) P.C.B. (U, C, R, T, K, A, B, G, E, L models)
- 8 SUBTRANS(3) P.C.B.
- 9 SUBTRANS(6) P.C.B.
- 10 SUBTRANS(7) P.C.B.
- 11 SUBTRANS(9) P.C.B.
- 12 SUBTRANS(2) P.C.B.
- 13 DSP P.C.B.
- 14 MAIN (1) P.C.B.
- 15 FUNCTION P.C.B.
- 16 POWER (1) P.C.B.
- 17 MAIN (5) P.C.B.
- 18 POWER (2) P.C.B.
- 19 OPERATION (4) P.C.B.
- 20 OPERATION (1) P.C.B.
- 21 OPERATION (5) P.C.B.
- 22 OPERATION (2) P.C.B.
- 23 OPERATION (3) P.C.B.
- 24 Power Transformer

REMOTE CONTROL PANELS

- RX-V557 (U, C, R, T, K, A, L models) RX-V557 (B, G, E models)
- HTR-5850 (U, C, T, K, A models)
- DSP-AX557 (J model)
- RX-V457 (U, C, R, T, K, A, L models)
- HTR-5840 (U, C, T, K, A models)
- DSP-AX457 (J model)

- RX-V457 (B, G, E models)
- HTR-5840 (B, G, E models)



DISASSEMBLY PROCEDURES

(Remove parts in the order as numbered.)
Disconnect the power cable from the AC outlet.

1. Removal of Top Cover

- Remove 4 screws (①) and 5 screws (②). (Fig. 1)
- Slide the Top Cover rearward to remove it. (Fig. 1)

2. Removal of Front Panel Unit

- Remove 2 Knobs. (Fig. 1)
- Remove 1 screw (③) and then remove the Support Top. (Fig. 1)
- Remove 6 screws (④) and then remove the Front Panel Unit. (Fig. 1)

3. Removal of Plate Side

- Remove 2 push rivets (⑤). (Fig. 1)
- Remove the Plate Side L/R. (Fig. 1)

4. Removal of Sub Chassis Unit

- Remove 2 screws (⑥) and then slide the Sub Chassis Unit forward. (Fig. 1)
- Loosen the harness fixture fixing the cable.
- Remove CB306, CB309, CB456 and CB863 and then remove the Sub Chassis Unit. (Fig. 1)

(番号順に部品を取り外してください。)
AC電源コンセントから、電源コードを抜いてください。

1. トップカバーの外し方

- ①のネジ4本、②のネジ5本を外します。(Fig. 1)
- トップカバーを後方へスライドさせ、取り外します。(Fig. 1)

2. フロントパネルユニットの外し方

- ノブを2個取り外します。(Fig. 1)
- ③のネジ1本を外し、サポートトップを取り外します。(Fig. 1)
- ④のネジ6本を外し、フロントパネルユニットを取り外します。(Fig. 1)

3. プレート、サイドの外し方

- ⑤のプッシュリベット2本を外します。(Fig. 1)
- プレートサイドL/Rを取り外します。(Fig. 1)

4. サブシャーシユニットの外し方

- ⑥のネジ2本を外し、サブシャーシユニットを前方に引き出します。(Fig. 1)
- ケーブルを固定している束線止めをゆるめます。
- CB306、CB309、CB456、CB863を外し、サブシャーシユニットを取り外します。(Fig. 1)

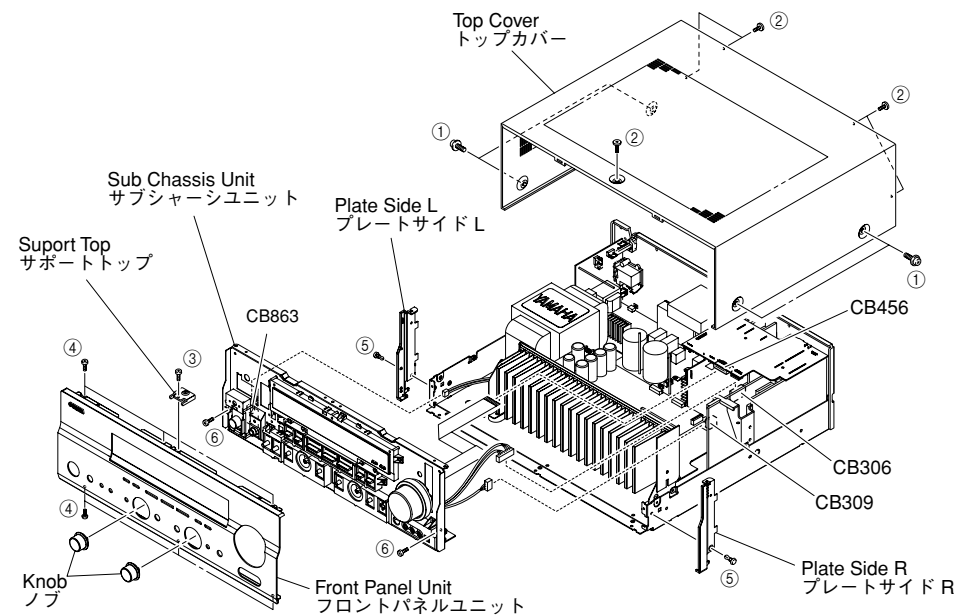


Fig. 1

5. Removal of DSP P.C.B.

- Remove 1 screw (⑦). (Fig. 2)
- Remove 7 screws (⑧). (Fig. 3)
- Remove CB2 and CB11. (Fig. 2)
- Lift up the SUBTRANS (2) P.C.B. and remove the CB1. (Fig. 2)
- Remove the DSP P.C.B. with the Support/DSP. (Fig. 2)

5. DSP P.C.B.の外し方

- ⑦のネジ1本を外します。(Fig. 2)
- ⑧のネジ7本を外します。(Fig. 3)
- CB2、CB11を外します。(Fig. 2)
- SUBTRANS(2)P.C.B.を上部に浮かせCB1を外します。(Fig. 2)
- DSP P.C.B.をサポート/DSPと共に取り外します。(Fig. 2)

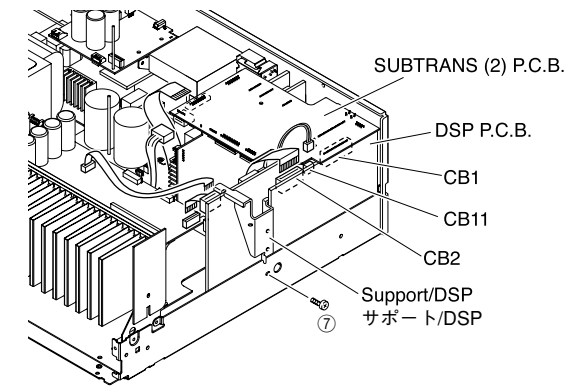


Fig. 2

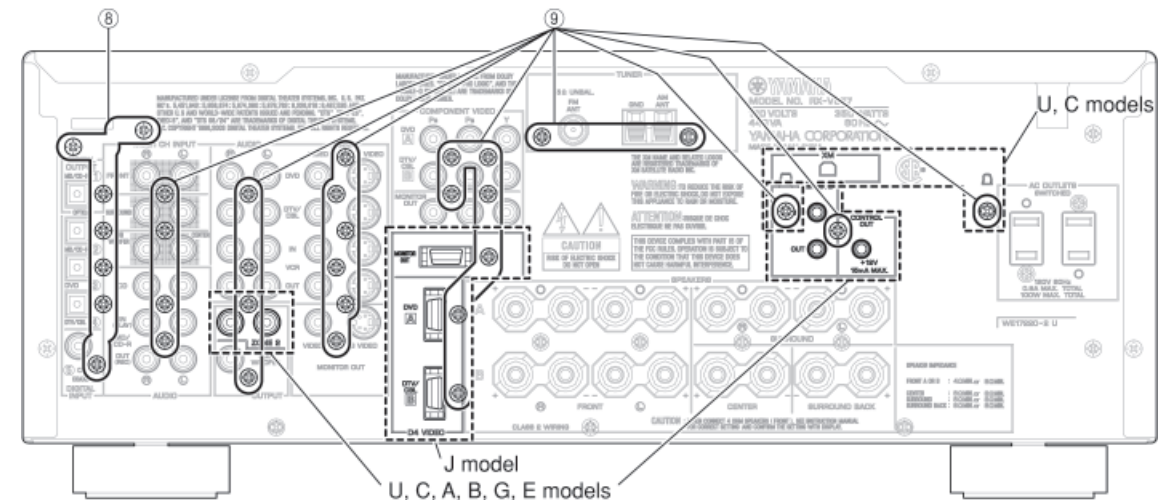


Fig. 3

6. Removal of FUNCTION, SUBTRANS (2), (3), (6), (7), (8) (U, C, A, B, G, E models), (9), (10), CONVERSION, XM (U, C models) P.C.B.s and Tuner

- Remove CB21, CB23, CB24 (U, C models), CB307, CB351, CB452, CB453 and CB706. (Fig. 4)
- Remove 23 (U, C models) / 21 (A, B, G, E models) / 19 (R, T, K, L models) screws (⑨). (Fig. 3)
- Remove FUNCTION, SUBTRANS (2), (3), (6), (7), (8) (U, C, A, B, G, E models), (9), (10), CONVERSION, XM (U, C models) P.C.B.s and the Tuner. (Fig. 4)

6. FUNCTION, SUBTRANS (2), (3), (6), (7), (9), (10), CONVERSION P.C.B., TUNERの外し方

- CB307, CB351, CB452, CB453, CB706を外します。(Fig. 4)
- ⑨のネジ22本を外します。(Fig. 3)
- FUNCTION, SUBTRANS(2)、(3)、(6)~(10)、CONVERSION P.C.B., TUNERを取り外します。(Fig. 4)

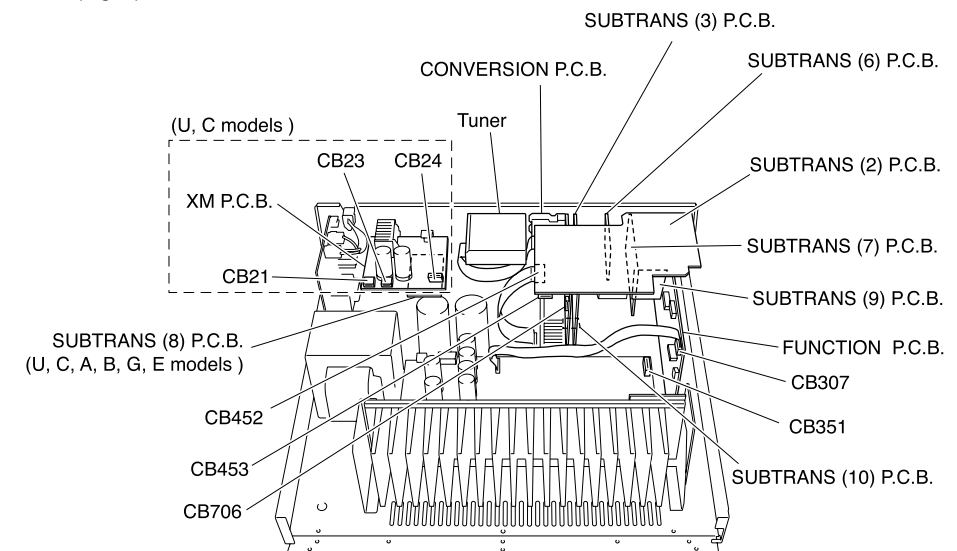


Fig. 4

7. Removal of MAIN (1), (5) and POWER (1), (2) P.C.B.s

- Remove CB354. (Fig. 5)
- Remove 2 screws (⑩), 2 screws (⑪) and 3 screws (⑫). (Fig. 5)
- Remove MAIN (1), (5) and POWER (1), (2) P.C.B.s. (Fig. 5)

7. MAIN (1)、(5)、POWER (1)、(2) P.C.B.の外し方

- CB354を外します。(Fig. 5)
- ⑩のネジ2本、⑪のネジ2本、⑫のネジ3本を外します。(Fig. 5)
- MAIN (1)、(5)、POWER (1)、(2) P.C.B.を取り外します。(Fig. 5)

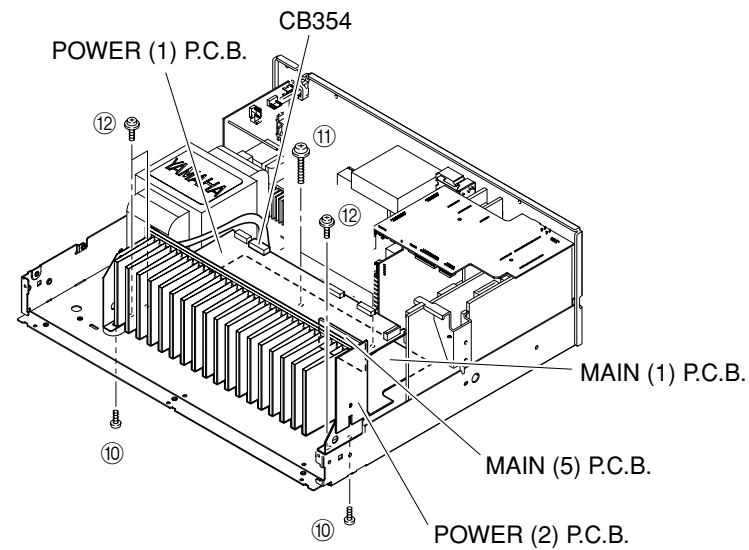


Fig. 5

When checking the P.C.B.:

- Put a Cloth over the equipment. Put the MAIN (1), (5), and POWER (1), (2) P.C.B.s together with the heat sink upright on the Cloth and check them. (Fig. 6)
- Reconnect all cables (connectors) that have been disconnected.
- When connecting the flat cable, use care for the polarity.
- The P.C.B. removed from the rear panel does not work because its grounding is loose. Be sure to connect the ground of each P.C.B. to the chassis or GND with a jumper wire or the like.

P.C.B.チェックをする場合には

- 布を敷きます。その上にMAIN(1)、(5)、POWER(1)、(2) P.C.B.をヒートシンクと一緒に立ててチェックします。(Fig. 6)
- 外したケーブル(コネクタ)をすべて接続してください。
- フラットケーブルを接続する際、極性に注意してください。
- リアパネルから外したP.C.B.はアースが浮いて動作しませんので、各P.C.B.のアースをリード線等でシャーシまたはGNDに接続してください。

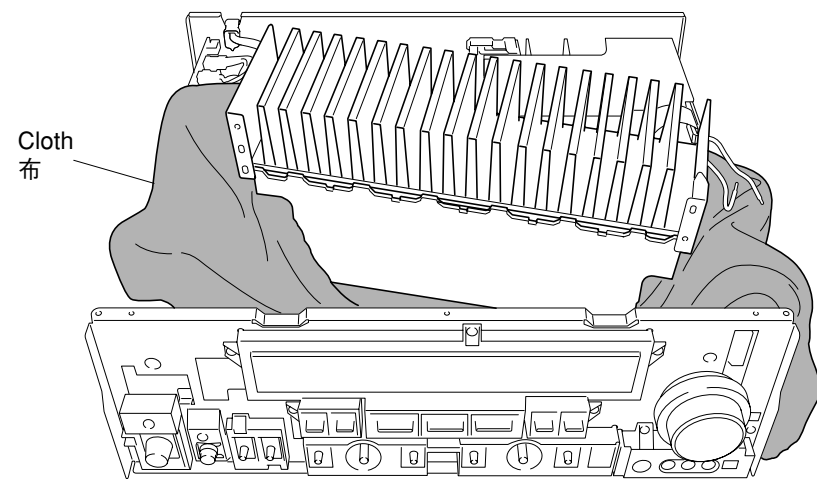


Fig. 6

DISASSEMBLY PROCEDURES / 分解手順

(Remove parts in the order as numbered.)
Disconnect the power cable from the AC outlet.

(番号順に部品を取り外してください。)
AC電源コンセントから、電源コードを抜いてください。

1. Removal of Top Cover

- Remove 4 screws (①) and 5 screws (②). (Fig. 1)
- Slide the Top Cover rearward to remove it. (Fig. 1)

1. トップカバーの外し方

- ①のネジ4本、②のネジ5本を外します。(Fig. 1)
- トップカバーを後方へスライドさせ、取り外します。(Fig. 1)

2. Removal of Front Panel Unit

- Remove 7 screws (③) and then slide the Front Panel Unit forward. (Fig. 1)
- Loosen the harness fixture fixing the cable.
- Remove CB306, CB309, CB456 and CB863 and then remove the Front Panel Unit. (Fig. 1)

2. フロントパネルユニットの外し方

- ③のネジ7本を外し、フロントパネルユニットを前方へ引き出します。(Fig. 1)
- ケーブルを固定している束線止めをゆるめます。
- CB306、CB309、CB456、CB863を外し、フロントパネルユニットを取り外します。(Fig. 1)

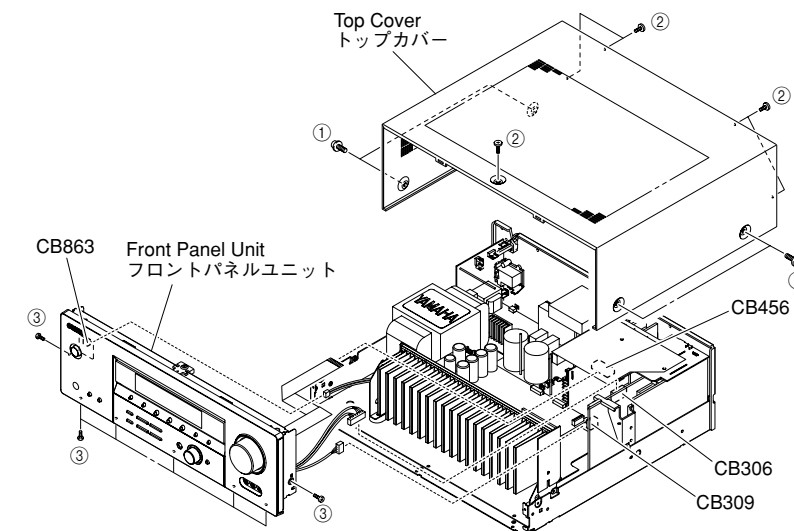


Fig. 1

3. Removal of DSP P.C.B.

- Remove 1 screw (④). (Fig. 2)
- Remove 7 (HTR-5850), 5 (RX-V457, HTR-5840) screws (⑤). (Fig. 3)
- Remove CB2 and CB11. (Fig. 2)
- Lift up the SUBTRANS (2) P.C.B. and remove the CB1. (Fig. 2)
- Remove the DSP P.C.B. with the Support/DSP. (Fig. 2)

3. DSP P.C.B.の外し方

- ④のネジ1本を外します。(Fig. 2)
- ⑤のネジ6本を外します。(Fig. 3)
- CB2、CB11を外します。(Fig. 2)
- SUBTRANS (2) P.C.B.を上部に浮かせCB1を外します。(Fig. 2)
- DSP P.C.B.をサポート/DSPと共に取り外します。(Fig. 2)

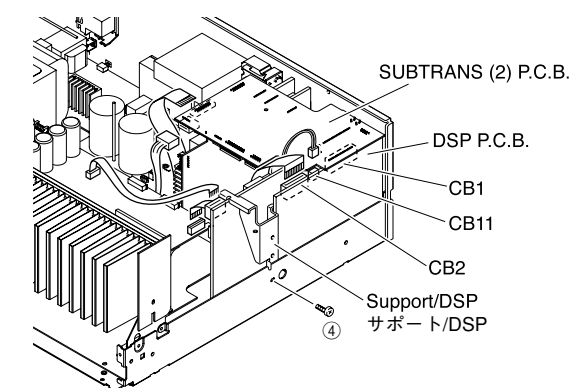
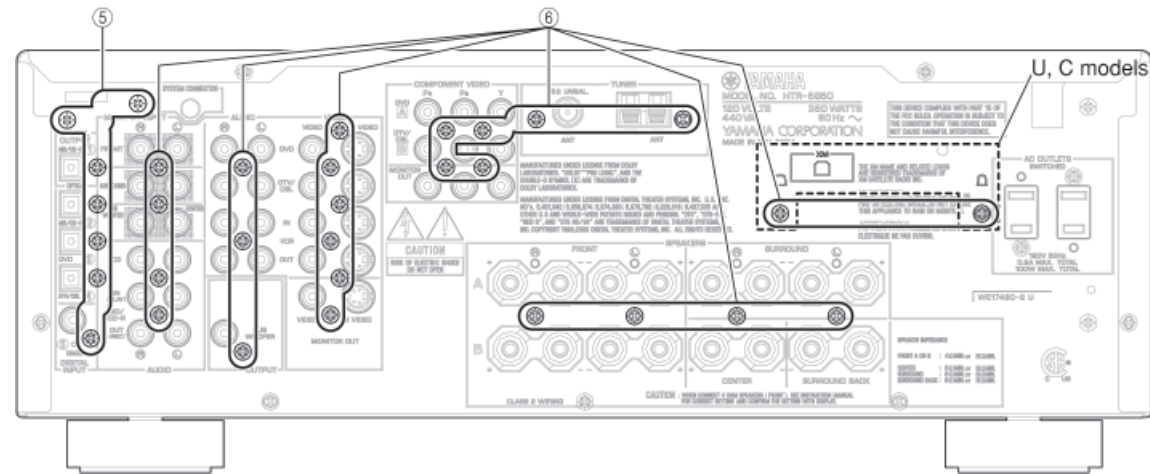
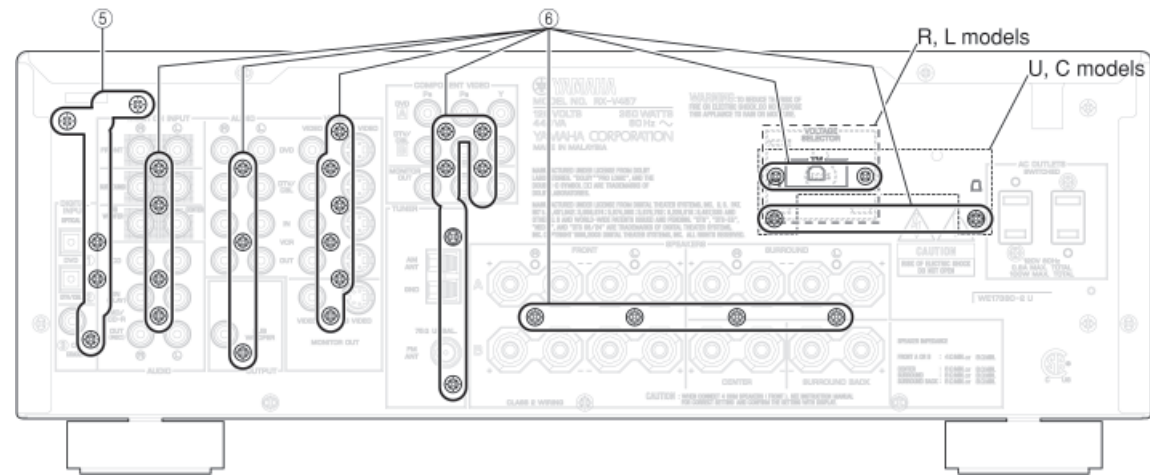


Fig. 2

HTR-5850



RX-V457/HTR-5840



DSP-AX457

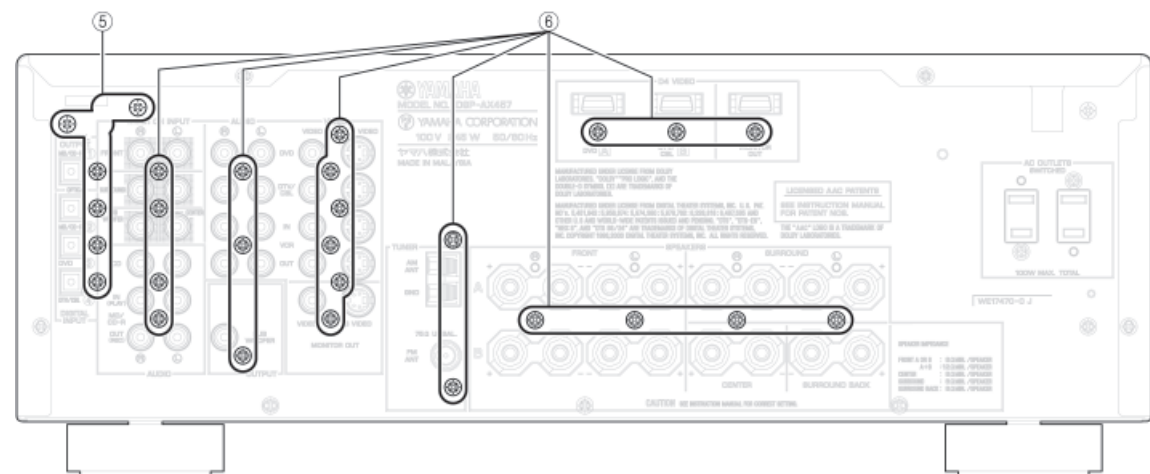


Fig. 3

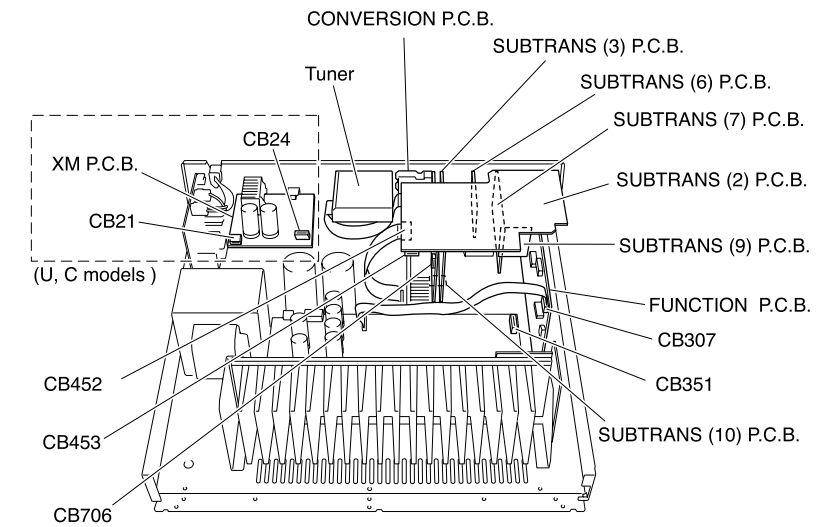
4. Removal of FUNCTION, SUBTRANS (2), (3), (6), (7), (9), (10), CONVERSION (HTR-5850), XM (U, C models) P.C.B.s and Tuner

- a. Remove CB21, CB24 (U, C models), CB307, CB351, CB452, CB453 and CB706 (HTR-5850). (Fig. 4)
- b. Remove 25 (U, C, R, L models), 23 (T, K, A, B, G, E models) screws (⑥). (Fig. 3)
- c. Remove FUNCTION, SUBTRANS (2), (3), (4) (RX-V457/HTR-5840), (6), (7), (9), (10) (HTR-5850), CONVERSION (HTR-5850), XM (U, C models) P.C.B.s and Tuner. (Fig. 4)

4. FUNCTION, SUBTRANS (2), (3), (6), (7), (9), VIDEO, TUNERの外し方

- a. CB307, CB351, CB452, CB453を外します。(Fig. 4)
- b. ⑥のネジ22本を外します。(Fig. 3)
- c. FUNCTION, SUBTRANS (2), (3), (6), (7), (9), VIDEO, TUNERを取り外します。(Fig. 4)

HTR-5850



RX-V457/HTR-5840/DSP-AX457

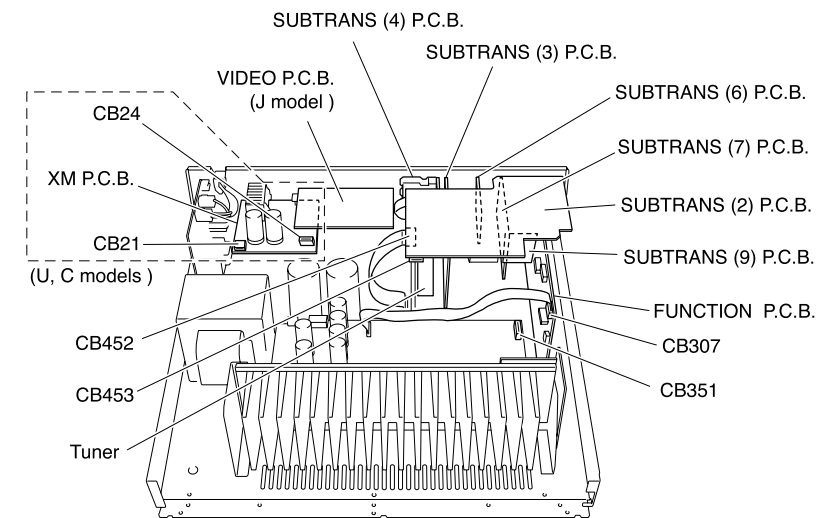


Fig. 4

5. Removal of MAIN (1), (5) and POWER (1), (2) P.C.B.s

- a. Remove CB354. (Fig. 5)
- b. Remove 2 screws (7), 2 screws (8) and 3 screws (9). (Fig. 5)
- c. Remove MAIN (1), (5) and POWER (1), (2) P.C.B.s. (Fig. 5)

5. MAIN (1) (5) POWER (1) (2) P.C.B.の外し方

- a. CB354を外します。(Fig. 5)
- b. 7のネジ2本、8のネジ2本、9のネジ3本を外します。(Fig. 5)
- c. MAIN (1) (5) POWER (1) (2) P.C.B.を取り外します。(Fig. 5)

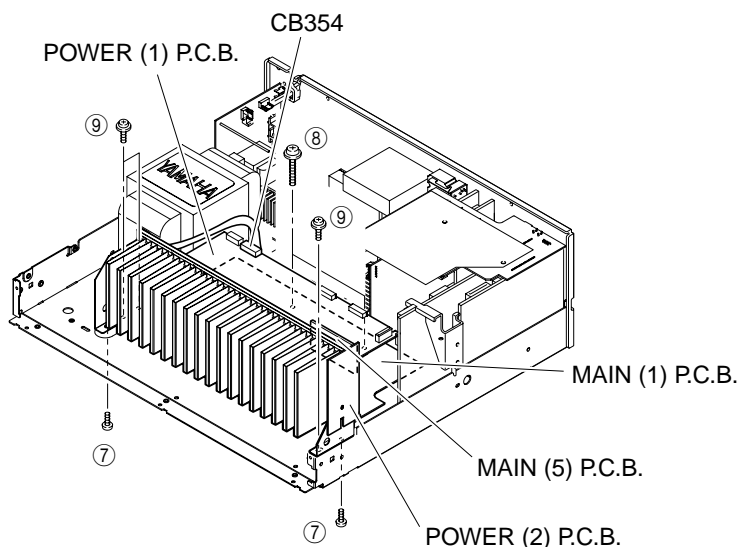


Fig. 5

When checking the P.C.B.:

- Put a Cloth over the equipment. Put the MAIN (1), (5) and POWER (1), (2) P.C.B.s together with the heat sink upright on the Cloth and check them. (Fig. 6)
- Reconnect all cables (connectors) that have been disconnected.
- When connecting the flat cable, use care for the polarity.
- The P.C.B. removed from the rear panel does not work because its grounding is loose. Be sure to connect the ground of each P.C.B. to the chassis or GND with a jumper wire or the like.

P.C.B.チェックをする場合には

- 布を敷きます。その上にMAIN(1) (5)、POWER (1) (2) P.C.B.をヒートシンクと一緒に立ててチェックします。(Fig. 6)
- 外したケーブル(コネクター)をすべて接続してください。
- フラットケーブルを接続する際、極性に注意してください。
- リアパネルから外したP.C.B.はアースが浮いて動作しませんので、各P.C.B.のアースをリード線等でシャーシまたはGNDに接続してください。

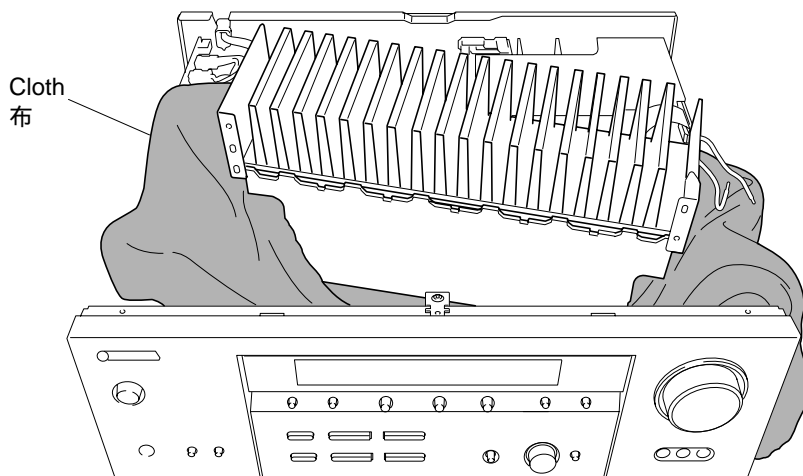


Fig. 6

■ SELF DIAGNOSIS FUNCTION (DIAG) / 自己診断機能(ダイアグ)

This unit has self diagnosis functions that are intended for inspection, measurement and location of faulty point.

There are 20 DIAG menu items, each of which has sub-menu items.

Listed in the table below are menu items and sub-menu items.

Note that not all menu items listed will apply to the models covered in this service manual.

本機には、検査、測定、不良個所の発見を目的にした自己診断機能(ダイアグ)があります。

ダイアグメニューは20個あり、そのそれぞれにサブメニューがあります。(ダイアグのメニュー操作は本体で行います。) 下表はメニュー一覧です。

下表の全メニュー項目が、このサービスマニュアル記載のモデルに適用されるとは限りません。

No	DIAG menu	sub-menu
1	BYPASS [1.ANALOG BYPASS]	1. ANALOG BYPASS
		2. DSP BYPASS
2	RAM THROUGH [2.RAM MARGIN]	1. RAM MARGIN
		2. RAM FULL BIT
3	PRO LOGIC [3.PRO LOGIC]	1. PRO LOGIC
4	SPEAKERS SET [4.FRNT:SML 0dB]	1. FRNT: SML 0dB
		2. CENTER: NONE
		3. LFE/B: FRNT
		4. Pres Mix: 5ch
		5. FRNT GAIN1
		6. FRNT GAIN2
		7. SURR B Check
5	EXT-INPUT [5.XCH INPUT_6]	1. 6CH INPUT_6
		2. 6CH INPUT_8
6	MIC CHECK [6.MIC CHK --dB]	MIC CHK --dB (Not applied to these models / このモデルには適用されません)
7	DISPLAY CHECK [7. VFD CHECK]	1. VFD CHECK (Initial display / 初期表示)
		2. VFD DISP OFF (All segments OFF / 全セグメント消灯)
		3. VFD DISP ALL (All segments ON 100% / 全セグメント点灯100%)
		4. VFD DIMMER (All segments ON 50% / 全セグメント点灯50%)
		5. CHECKED PATTERN (ON in lattice / 格子状点灯)
8	MANUAL TEST [8.TEST ALL]	1. TEST ALL
		2. TEST FRNT L
		3. TEST CENTER
		4. TEST FRNT R
		5. TEST SURR R
		6. TEST SB R
		7. TEST SB L
		7. TEST SURR L
9	FACTORY PRESET [9.PRESET INHI]	1. PRESET INHI (memory initialization inhibited / メモリーの初期化禁止)
		2. PRESET RSRV (memory initialized / メモリーの初期化)
10	AD DATA CHECK [DC:98% PS: 38%]	1. DC/PS (protection)
		2. THM
		3. IMP SW/POWER LIMIT
		4. K0/K1 (panel key)
11	V_CONV_STATUS [L:iiiiiiii]	1. LOW BYTE (Not applied to these models / このモデルには適用されません)
		2. HIGH BYTE (Not applied to these models / このモデルには適用されません)
12	XM [12.XMS1xxxxxxxx]	1. XMS1 (Not applied to these models / このモデルには適用されません)
		2. XMS2 (Not applied to these models / このモデルには適用されません)

No	DIAG menu	sub-menu
13	IF STATUS IS1:440308C000	1. DST 2. DMD 3. DIF 4. PC 5. CS1 6. CS2 7. DEI 8. BS1 9. BS2 10. BS3 11. BS4 12. BS5 13. BS6 14. BS7 15. BS8 16. MTT 17. BGI 18. DGI
14	DSP RAM CHECK TI BUS:NoEr	1. TI BUS
15	SWFR CUT OFF 15.LFE LPF 40	1. LFE LPF 2. LFE HPF
16	PROTECTION SETTING Not applied to these models. このモデルには適用されません。	1. PS L 2. PS H 3. DC L 4. DC H 5. TEMP 6. PL_8_M_L: 7. PL_8_M_H 8. PL_8_N_L: 9. PL_8_N_H: 10. PL_6_M_L: 11. PL_6_M_H: 12. PL_6_N_L: 13. PL_6_N_H:
17	PROTECTION HISTORY	1. HISTORY 1 2. HISTORY 2 3. HISTORY 3 4. HISTORY 4
18	SOFT SWITCH 18.SW :PCB	1. SW MODE 2. MODEL SETTING 3. DESTINATION 4. TUNER DESTINATION 5. TUNER TYPE 6. VIDEO FORMAT 7. ZONE 2 8. AAC 9. TUNER 10. ZONE 2 AMP 11. OSD 12. YPAO
19	ROM VERSION/ CHECK SUM/PORT VER. XXXXX	1. U-COM VERSION 2. U-COM CHECK SUM ALL/PROGRAM 3. OPE/DSP/XM 4. AAC PORT 5. TI (DSP) VERSION 6. TI (DSP) SUM 7. EE SUM
20	DSP WRITTING	1. TI Boot

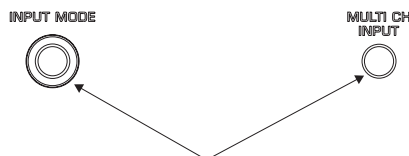
• Starting DIAG

Press the "STANDBY/ON" key while simultaneously pressing those two keys of the main unit as indicated in the figure below.

ダイアグの起動

本体の下図に示すキーを同時に押しながら"STANDBY/ON"キーを押すと、ダイアグが起動します。

Keys of main unit / 本体キー



Turn on the power while pressing these keys.
これらのキーを同時に押しながら、パワーオンする。

• Starting DIAG in the protection cancel mode

If the protection function works and causes hindrance to trouble diagnosis, cancel the protection function as described below, and it will be possible to enter the DIAG mode. (The protection functions other than the excess current detect function will be disabled.)

Press the "STANDBY/ON" key while simultaneously pressing those two keys indicated in the figure above. At this time, keep pressing those two keys for 3 seconds or longer.

In this mode, the "SLEEP" segment of the FL display of the main unit flashes to indicate that the mode is DIAG mode with the protection functions disabled.

CAUTION!

Using this product with the protection function disabled may cause damage to itself. Use special care for this point when using this mode.

プロテクション解除モードでの起動

プロテクションが動作することにより、故障箇所の診断に支障をきたすような場合は、次の方法によりプロテクションを解除した状態でダイアグモードに入ることができます。(過電流検出以外のプロテクション動作を解除する)

上図のキーを同時に押しながら"STANDBY/ON"キーを押します。このとき、上図のキーを3秒以上押し続けてください。このモードでは本体FLの"SLEEP"セグメントが点滅し、プロテクションを解除した状態でのダイアグモードであることを知らせます。

注意!

プロテクションを解除した状態でのダイアグモードは、危険な状態でもプロテクションが作動しないため、動作させると、機器を破壊することがあります。このモードを使用する場合は十分注意してください。

• Canceling DIAG

[1] Before canceling DIAG, execute setting for FACTORY PRESET of DIAG menu No.9 (Memory initialization inhibited or Memory initialized).

* In order to keep the user memory stored, be sure to select PRESET INHIBITED (Memory initialization inhibited).

[2] Turn off the power by pressing the "STANDBY/ON" key of the main unit.

ダイアグの解除

ダイアグを解除する前に、ダイアグメニューNo.9のFACTORY PRESET(メモリーの初期化禁止/またはメモリーの初期化)の設定をします。

ユーザーメモリーを保持したい場合は、必ずPRESET INHIBITED(メモリー初期化禁止)を選択してください。本体の"STANDBY/ON"キーを押し、パワーオフにします。

• Display provided when DIAG started

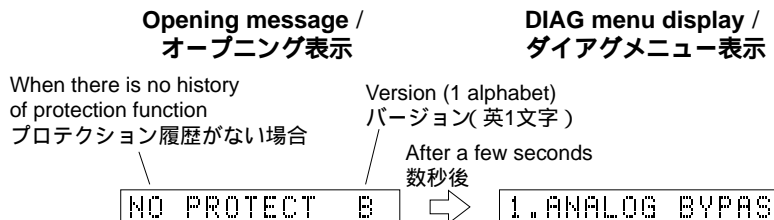
The FL display of the main unit displays the protection function history data and the version (1 alphabet) and the DIAG menu [sub-menu (ANALOG BYPASS) of DIAG menu No.1 BYPASS] a few seconds later.

ダイアグ起動時の表示

本体のFLディスプレイにプロテクション履歴情報とバージョン(英1文字)が表示され、数秒後にダイアグメニュー(No.1 BYPASSのサブメニューANALOG BYPASS)になります。

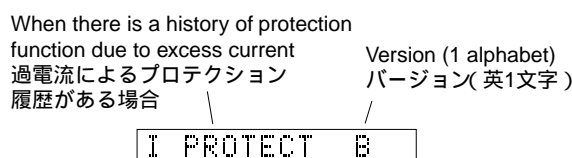
When there is no history of protection function:

プロテクション履歴がない場合:



When there is a history of protection function:

プロテクション履歴がある場合:



Cause: An excessive current flowed through the power amplifier.

原因：パワーアンプに過電流が流れた。

Supplementary information: As current of the power transistor is detected, the abnormal channel can be identified by checking the current detect transistor.

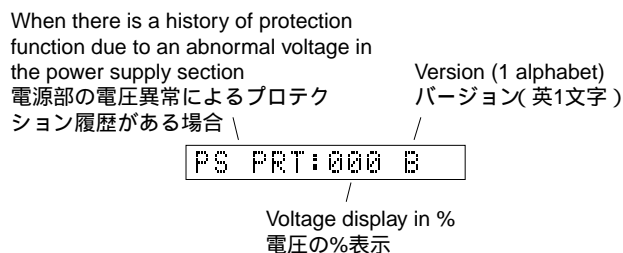
補足：パワートランジスタの電流を検出していますので、電流検出トランジスタをチェックすれば異常チャンネルが特定できます。

Turning on the power without correcting the abnormality will cause the protection function to work immediately and the power supply will instantly be shut off.

異常状態のままパワーオンすると、瞬時にプロテクションがかかり、すぐに電源が切れます。

Note)

- Applying the power to a unit without correcting the abnormality can be dangerous and cause additional circuit damage.
- The output transistors in each amplifier channel should be checked for damage before applying any power.
- Amplifier current should be monitored by measuring across the emitter resistors for each channel.



Cause: The voltage in the power supply section is abnormal.

原因：電源部の電圧が異常。

Supplementary information: The abnormal voltage is displayed in % based on 5V as 100%.

補足：異常時の電圧の状態を、5Vを100%とした値で%表示します。

Turning on the power without correcting the abnormality will cause the protection function to work 1 second later and the power supply will be shut off.

異常状態のままパワーオンすると、1秒後にプロテクションがかかり、電源が切れます。

When there is a history of protection function due to abnormal DC output
DC出力異常によるプロテクション履歴がある場合

Version (1 alphabet)
バージョン(英1文字)

DC PRT: B

Cause: DC output of the power amplifier is abnormal.

原因：パワーアンプのDC出力が異常。

Supplementary information: The abnormal voltage is displayed in % based on 5V as 100%.

補足：異常時の電圧の状態を、5Vを100%とした値で%表示します。

Turning on the power without correcting the abnormality will cause the protection function to work 3 seconds later and the power supply will be shut off.

異常状態のままパワーオンすると、3秒後にプロテクションがかかり、電源が切れます。

When there is a history of protection function due to excessive heat sink temperature
放熱器の異常温度によるプロテクション履歴がある場合

Version (1 alphabet)
バージョン(英1文字)

TMP PRT: 000 B

Voltage display in %
電圧の%表示

Cause: The temperature of the heat sink is excessively high.

原因：放熱器の温度が異常。

Supplementary information: The abnormal voltage is displayed in % based on 5V as 500%.

補足：異常時の電圧の状態を、5Vを500%とした値で%表示します。

Turning on the power without correcting the abnormality will cause the protection function to work 1 second later and the power supply will be shut off.

異常状態のままパワーオンすると、1秒後にプロテクションがかかり、電源が切れます。

- * Additional causes of protection can be due to loose connections, associated components, CPU, etc.
- * For the protection voltage value, refer to DIAG menu No.10 described later.

前記の異常原因の他に、コネクタのはずれやCPU周辺などに原因がある場合があります。
プロテクションの電圧値に関しては、後述のダイアグメニューNo.10を参照してください。

• History of protection function

When the protection function has worked, its history is stored in memory with a backup. Even if no abnormality is noted while servicing the unit, an abnormality which has occurred previously can be defined as long as the backup data has been stored.

The history of the protection function is cleared when DIAG is cancelled by selecting PRESET RESERVED (Memory initialized) of DIAG menu No.9 or when the backup data is erased.

プロテクションの履歴

プロテクションが働いた場合、履歴をバックアップして記憶しています。サービスのときに異常が認められなくても、バックアップが残っていれば、お客様のところで起きた異常を区別できます。

プロテクションの履歴は、ダイアグメニューNo.9でPRESET RESERVED(メモリーの初期化)を選んでダイアグを解除した場合や、バックアップが消えたときにはクリアされます。

• Display during menu operation

During the DIAG operation, the function at work is indicated on the FL indicator. The contents displayed during the function operation are described in the later section on details of functions.

メニュー動作中の表示

ダイアグ中、本体のFLディスプレイに動作中の機能が表示されます。機能動作中の表示内容については、後述の機能詳細で記述します。

• Operation procedure of DIAG menu and SUB-MENU

There are 20 MENU items, each of which has some SUB-MENU items.

DIAG menu selection

Main unit: Select the menu using the PROGRAM knob.

SUB-MENU selection

Main unit: Select the sub-menu using ▷ (Forward) and ◁ (Reverse) keys of PRESET/TUNING.

ダイアグメニューとサブメニューの操作

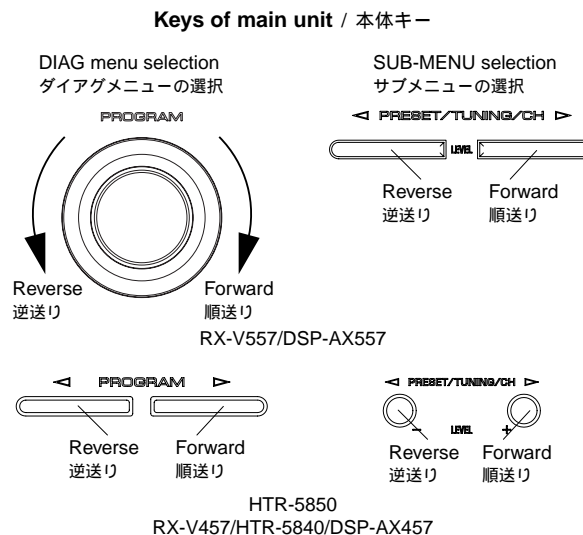
ダイアグにはNo.1～20のメニューがあり、そのそれぞれにサブメニューがあります。

ダイアグメニューの選択

本体キーでの操作：PROGRAMツマミで選択します。

サブメニューの選択

本体キーでの操作：PRESET/TUNING ▷(順送り) ◁(逆送り) キーで選択します。



• Functions in DIAG mode

In addition to the DIAG menu items, functions as listed below are available.

- Input selection, 6CH input
- Center/Rear/Rear Center/Sub-woofer level adjustment
- Speaker relay control of A and B
- Muting
- Power on/off
- Master volume

* Functions related to the tuner and the set menu are not available.

* It is possible to confirm Menu No.13 IF STATUS while keeping the signal process (operation status) of each DIAG menu by using the INPUT MODE key of the main unit.

ダイアグ中の機能

ダイアグメニューの他に、以下の機能が動作します。

- インプット切り換え、6CHインプット
- センター、リア、リアセンター、サブウーファーレベル調整
- スピーカーリレーA/B
- ミューティング
- パワーオン/オフ
- マスターボリューム

チューナー関連、セットメニュー関連は機能しません。

本体のINPUT MODEキーにより、各ダイアグメニューの信号処理(動作状態)を維持したままメニューNo.13"IF STATUS"の確認ができます。

• Initial settings used to start DIAG

The following settings are used when starting DIAG.

When DIAG is canceled, these settings are restored to those before starting DIAG.

- Master volume: -20 dB
- Input: DVD (MULTI CH INPUT OFF)
- Effect level: 0 dB
- Audio mute: OFF
- Speaker relay of A and B: ON
- Speaker setting: LARGE / BASS OUT = SWFR
- DIAG menu: BYPASS (1. ANALOG BYPASS)

ダイアグ開始時の初期設定

ダイアグ開始時に以下のような設定になります。ダイアグ解除時にはダイアグ開始前の状態に戻ります。

- マスターボリューム：-20 dB
- インプット：DVD (MULTI CH INPUT オフ)
- エフェクトレベル：0 dB
- オーディオミュート：オフ
- スピーカーリレーA/B：ON
- スピーカー設定：LARGE / BASS OUT = SWFR
- ダイアグメニュー：BYPASS (1. ANALOG BYPASS)

• Details of DIAG menu

ダイアグメニュー詳細

1. BYPASS

Using the sub-menu, it is possible to select analog bypass output or DSP bypass output.

1. BYPASS

サブメニューによりANALOG BYPASS/DSP BYPASSが選択可能です。

ANALOG BYPASS

ANALOG BYPASS

1. ANALOG BYPASS

Reference data

INPUT: DVD ANALOG

SUBWOOFER OUTPUT: 50 Hz, Others: 1 kHz

Input level	Volume	SPEAKERS OUT				SUBWOOFER OUTPUT
		FRONT L/R	CENTER	SURROUND L/R	SURROUND BACK L/R	
Both ch, -20 dBm	+6.0 dB	+13.0 dBm	- ∞	- ∞	- ∞	- ∞

DSP BYPASS

DSP BYPASS

1. DSP BYPASS

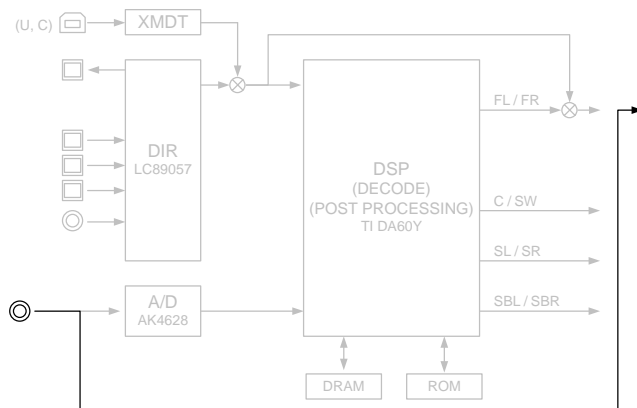
Reference data

INPUT: DVD ANALOG

SUBWOOFER OUTPUT: 50 Hz, Others: 1 kHz

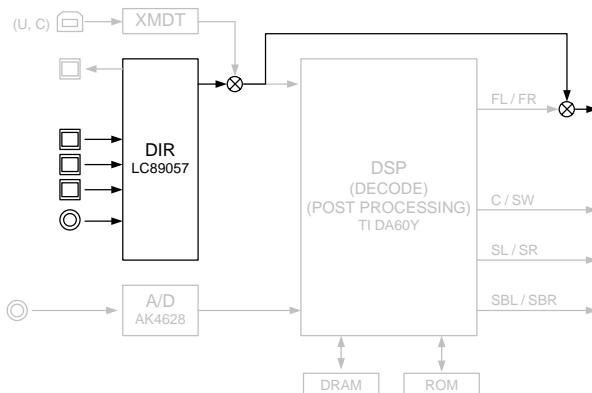
Input level	Volume	SPEAKERS OUT				SUBWOOFER OUTPUT
		FRONT L/R	CENTER	SURROUND L/R	SURROUND BACK L/R	
Both ch, -20 dBm	+6.0 dB	- ∞	- ∞	- ∞	- ∞	- ∞

ANALOG BYPASS



(Shaded items not used in this example)

DSP BYPASS



(Shaded items not used in this example)

2. RAM THROUGH

Using the sub-menu, it is possible to select margin output or full-bit output.

2. RAM THROUGH

サブメニューによりMARGIN/Full Bitが選択可能です。

RAM MARGIN

Following head margin is reserved.

RAM MARGIN

以下のヘッドマージンを取ります。

FRONT	CENTER	SURROUND	SURROUND BACK	SUBWOOFER
+15.0 dB	+14.0 dB	+9.0 dB	+7.5 dB	+18.0 dB

2.RAM MARGIN

Reference data

INPUT: DVD ANALOG

SUBWOOFER OUTPUT: 50 Hz, Others: 1 kHz

Input level	Volume	SPEAKERS OUT				SUBWOOFER OUTPUT
		FRONT L/R	CENTER	SURROUND L/R	SURROUND BACK L/R	
Both ch, -20 dBm	+6.0 dB	+13.0 dBm	+13.0 dBm	+13.0 dBm	+13.0 dBm	+0.5 dBm

RAM FULL BIT

No head margin is reserved except SW.

RAM FULL BIT

SW以外のヘッドマージンを取りません。

FRONT	CENTER	SURROUND	SURROUND BACK	SUBWOOFER
0 dB	0 dB	0 dB	0 dB	+18 dB

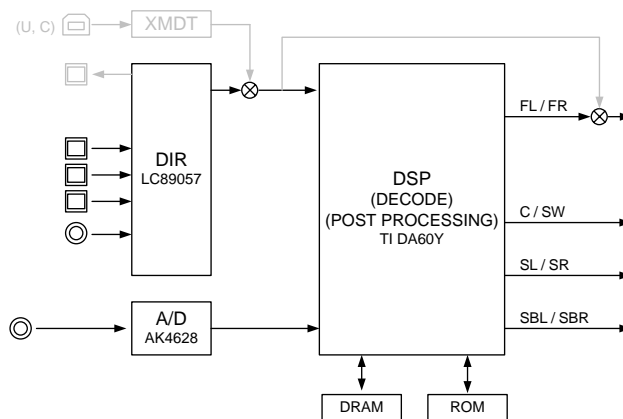
2.RAM FULL BIT

Reference data

INPUT: DVD ANALOG

SUBWOOFER OUTPUT: 50 Hz, Others: 1 kHz

Input level	Volume	SPEAKERS OUT				SUBWOOFER OUTPUT
		FRONT L/R	CENTER	SURROUND L/R	SURROUND BACK L/R	
Both ch, -20 dBm	+6.0 dB	+6.0 dBm	+13.0 dBm	+13.0 dBm	+13.0 dBm	+0.5 dBm



(Shaded items not used in this example)

When input source is stereo, signal is assigned as below.

2ch信号入力時、以下のように信号を振り分けて出力します。

- Front L → Center / Surround L / Surround Back L, R
- Front R → Surround R
- Front L +10 dB → SWFR

3. PRO LOGIC

Dolby PRO LOGIC is applied to input stereo source.

3. PRO LOGIC

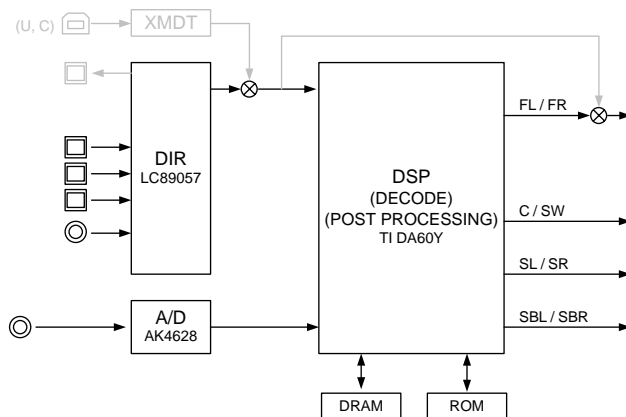
入力2ch信号にDolby PRO LOGIC処理を行います。

Reference data

INPUT: DVD ANALOG

SUBWOOFER OUTPUT: 50 Hz, Others: 1 kHz

Input level	Volume	SPEAKERS OUT				SUBWOOFER OUTPUT
		FRONT L/R	CENTER	SURROUND L/R	SURROUND BACK L/R	
Each ch, -20 dBm	+6.0 dB	+9.5 dBm	- ∞	- ∞	- ∞	- ∞
Both ch, -20 dBm	+6.0 dB	- ∞	+13.0 dBm	- ∞	- ∞	- ∞



(Shaded items not used in this example)

4. SPEAKERS SET

The analog switch settings for each sub-menu are as shown in the table below.

4. SPEAKERS SET

各サブメニューにおけるアナログスイッチの設定は以下の通りです。

Sub-menu	FRONT	CENTER	SUR.	SUR.B	LFE
1 FRNT: SML 0 dB	SMALL	LARGE	LARGE	LARGE	SWFR
2 CENTER: NONE	LARGE	NONE	LARGE	LARGE	SWFR
3 LFE/B: FRNT	LARGE	SMALL	SMALL	SMALL	FRONT
4 Pre Mix: 5ch	LARGE	LARGE	LARGE	LARGE	SWFR
5 Front GAIN 1	LARGE	LARGE	LARGE	LARGE	SWFR
6 Front GAIN 2	LARGE	LARGE	LARGE	LARGE	SWFR
7 SURR B Check	LARGE	LARGE	LARGE	LARGE	SWFR

LARGE: This mode is used with a speaker with high bass reproduction performance (a large unit). Full bandwidth signals are output.

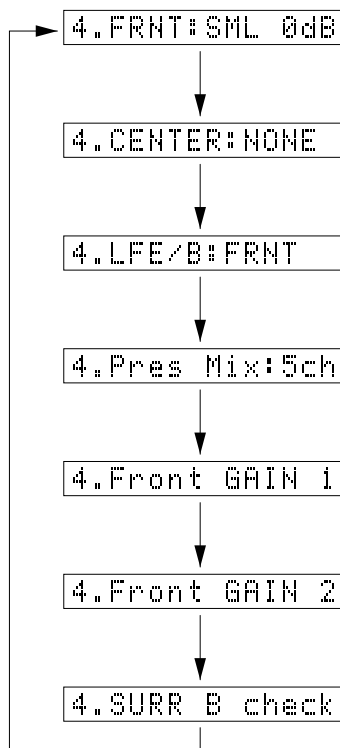
SMALL: This mode is used with a speaker with low bass reproduction performance (a small unit). The signals of 80 Hz or less are mixed into the channel specified by LFE/BASS.

NONE: This mode is used with no center speaker. The center content is reduced by 3 dB and distributed to FRONT L/R.

LARGE : 低音再生能力の高い(ユニットの大きい)スピーカーを使用するモードです。全帯域が出力されます。

SMALL : 低音再生能力の低い(ユニットの小さい)スピーカーを使用するモードです。80 Hz以下がLFE/BASSで指定したチャンネルにミックスされます。

NONE : スピーカーを使用しないモードです。センター成分は-3 dBされて、FRONT L/R に振り分けられます。



Reference data

INPUT: DVD ANALOG (Both ch)

SUBWOOFER OUTPUT: 50 Hz, Others: 1 kHz

	Sub-menu	Input level	Volume	SPEAKER OUT				SUBWOOFER OUTPUT
				FRONT	CENTER	SURROUND	SURROUND BACK	
1	FRONT: SML 0dB	Both ch, -20 dBm	+6.0 dB	+13.0 dBm	+13.0 dBm	+13.0 dBm	+13.0 dBm	+3.5 dBm
2	CENTER: NONE	Both ch, -20 dBm	+6.0 dB	+10.0 dBm	+13.0 dBm	+13.0 dBm	+13.0 dBm	+0.5 dBm
3	LFE/B: FRNT (1 kHz)	Both ch, -20 dBm	+6.0 dB	- ∞	+13.0 dBm	+13.0 dBm	+13.0 dBm	- ∞
	LFE/B: FRNT (50 Hz)	Both ch, -20 dBm	+6.0 dB	+25.0 dBm	+3.5 dBm	+3.5 dBm	+3.5 dBm	- ∞
4	Pres Mix: 5ch	Both ch, -20 dBm	+6.0 dB	- ∞	+13.0 dBm	+17.5 dBm	+13.0 dBm	-0.5 dBm
5	Front Gain 1	Both ch, -20 dBm	+6.0 dB	+20.0 dBm	+13.0 dBm	+13.0 dBm	+13.0 dBm	-0.5 dBm
6	Front Gain 2	Both ch, -20 dBm	+6.0 dB	+20.0 dBm	+13.0 dBm	+13.0 dBm	+13.0 dBm	-0.5 dBm
7	SURR B check	Both ch, -20 dBm	+6.0 dB	- ∞	- ∞	- ∞	+13.0 dBm	- ∞

5. EXTERNAL INPUT

The signal input through the 6CH INPUT terminals is output.

The speaker impedance can be selected.

5. EXTERNAL INPUT

6CH入力した信号が出力されます。
6オーム、8オームが選択できます。

XCH INPUT_6

XCH INPUT_6

5.XCH INPUT_6

Reference data

INPUT: MULTI CH INPUT

SUBWOOFER OUTPUT: 50 Hz, Others: 1 kHz

Input level	Volume	SPEAKERS OUT				SUBWOOFER OUTPUT
		FRONT L/R	CENTER	SURROUND L/R	SURROUND BACK L/R	
Both ch, -20 dBm	+6.0 dB	+13.0 dBm	+13.0 dBm	+13.0 dBm	- ∞	+10.0 dBm

XCH INPUT_8

XCH INPUT_8

5.XCH INPUT_8

Reference data

INPUT: MULTI CH INPUT

SUBWOOFER OUTPUT: 50 Hz, Others: 1 kHz

Input level	Volume	SPEAKERS OUT				SUBWOOFER OUTPUT
		FRONT L/R	CENTER	SURROUND L/R	SURROUND BACK L/R	
Both ch, -20 dBm	+6.0 dB	+13.0 dBm	+13.0 dBm	+13.0 dBm	- ∞	+10.0 dBm

6. MIC CHECK

MIC CHK --dB

Not applied to these models.

6. MIC CHECK

MIC CHK --dB

このモデルには適用されません。

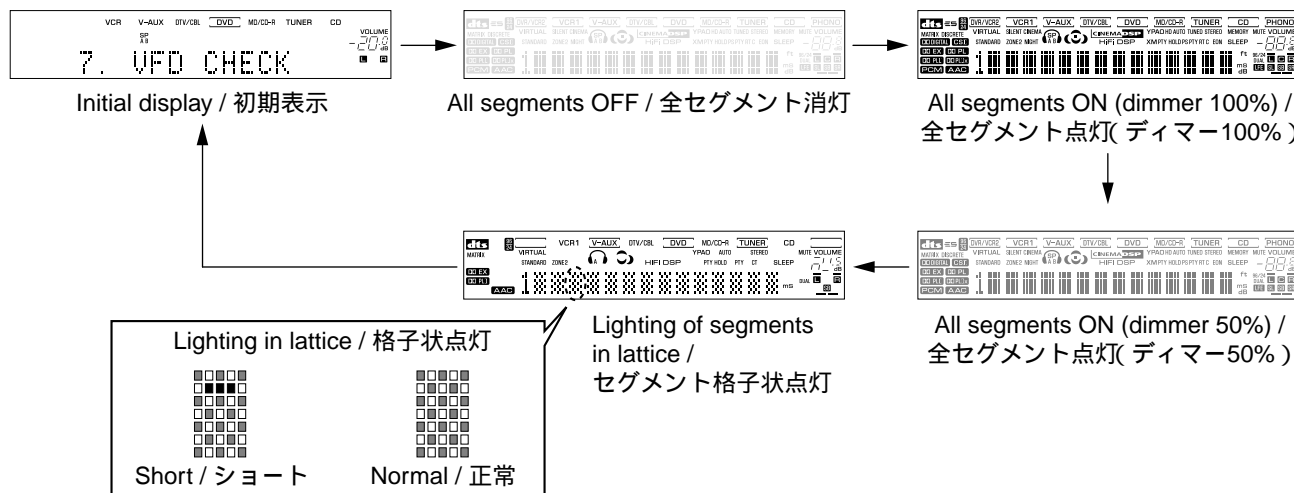
6.MIC CHK --dB

7. DISPLAY CHECK

This program is used to check the FL display section. The display condition varies as shown below according to the sub-menu operation. The signals are processed using EFFECT OFF (The L/R signal is output using ANALOG MAIN BYPASS.)

7. DISPLAY CHECK

FL表示部のチェックプログラムです。サブメニュー操作により、表示状態が以下のように変わります。信号処理はEFFECT OFF(ANALOG MAIN BYPASSでL/Rを出力)です。



Segment conditions of the FL driver and the FL tube are checked by turning ON and OFF all segments. Next, the operation of the FL driver is checked by using the dimmer control. Then a short between segments next to each other is checked by turning ON and OFF all segments alternately (in lattice). (In the above example, the segments in the second row from the top are shorted.)

全セグメント消灯・全セグメント点灯によりFLドライバー、FL管のセグメントの不良を確認します。次に、ディマーコントロールによってFLドライバーの動作チェックを行います。さらに全セグメントを交互(格子状)に点灯/消灯することで、隣り合うセグメントのショートをチェックします。(上図の例では、上から2行目のセグメントがショートしています。)

8. MANUAL TEST

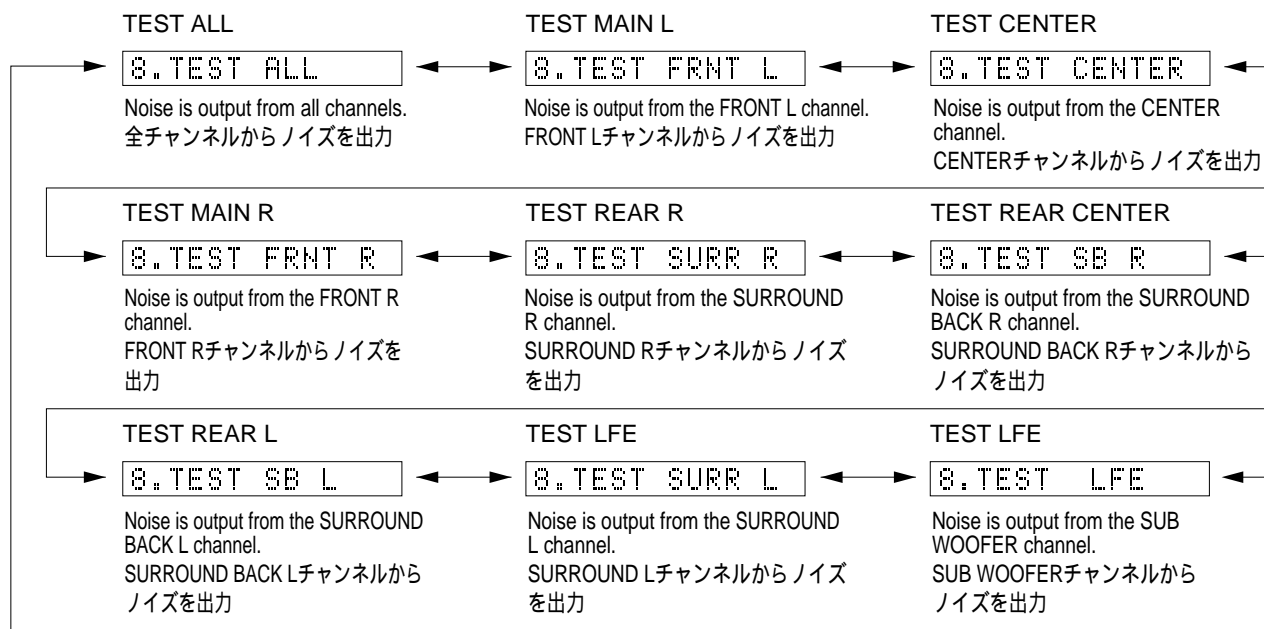
The noise generator circuit built into the DSP outputs the test noise through the channels specified by the sub-menu.

The noise frequency for LFE is 35 to 250 Hz. Other than that, the center frequency is 800 Hz

8. MANUAL TEST

DSP内蔵のノイズ発生回路によって、サブメニューで指定したチャンネルへテストノイズを出力します。

LFE用のノイズ周波数は35～250 Hz、それ以外は中心周波数800 Hzとなります。



9. FACTORY PRESET

This menu is used to reserve and inhibit initialization of the back-up RAM. The signals are processed in the same way as EFFECT OFF. (The L/R signal is output using ANALOG MAIN BYPASS.)

9. FACTORY PRESET

バックアップ用RAM(音場プログラムのパラメーターやセットメニュー内容など)の初期化を予約/禁止します。

信号処理はEFFECT OFFと同じです(ANALOG MAIN BYPASSで、L/Rを出力)。

9. PRESET INHI

PRESET INHIBIT (Initialization inhibited) / PRESET INHIBIT(初期化禁止)

RAM initialization is not executed. Select this sub-menu to protect the values set by the user.
RAMの初期化は行われません。ユーザーの設定値を保護するときは、こちらを選択してください。

9. PRESET RSRV

PRESET RESERVED (Initialization reserved) / PRESET RESERVED (初期化予約)

Initialization of the back-up RAM is reserved. (Actually, initialization is executed the next time that the power is turned on.) Select this sub-menu to reset to the original factory settings or to reset the RAM.

バックアップRAMの初期化が予約されます。(実際に初期化されるのは、次回の電源投入時です。)工場出荷時やRAMをリセットしたいときは、こちらを選択してください。

CAUTION: Before setting to the PRESET RESERVED for initialization, write down the existing preset memory content of the Tuner in a table as shown below. (This is because initialization will cause the user memory content to be erased.)

注意：PRESET RESERVEDを選んで初期化をする前に、チューナーのユーザーメモリー内容を下表に書き写してください。(初期化をすると、ユーザーメモリーの内容は消えてしまいます。)

Preset group	P1	P2	P3	P4	P5	P6	P7	P8
A								
B								
C								
D								
E								

• PRESET STATIONS / プリセット局

STATION		FM FACTORY PRESET DATA (MHz)			
PAGE	NO.	U, C	R, T, K, A, B, G, E, L	J	
A/C/E	1	87.5	87.5	76.0	
	2	90.1	90.1	83.0	
	3	95.1	95.1	84.0	
	4	98.1	98.1	86.0	
	5	107.9	108.0	90.0	
	6	88.1	88.1	78.0	
	7	106.1	106.1	88.0	
	8	107.9	108.0	82.1	

STATION		AM FACTORY PRESET DATA (kHz)			
PAGE	NO.	U, C, R, T, K	A, B, G, E, L	J	
B/D	1	630	630	630	
	2	1080	1080	1080	
	3	1440	1440	1440	
	4	530	531	531	
	5	1710	1611	1611	
	6	900	900	900	
	7	1350	1350	1350	
	8	1400	1404	1404	

10. AD DATA CHECK

This menu is used to display the A/D conversion value of the terminals which detect panel keys of the main unit and protection functions in % using the sub-menu. During signal processing, the condition before execution is maintained.

When K0/K1 menu is selected, keys become non-operable due to detection of the values of all keys. However, it is possible to advance to the next sub-menu by turning the VOLUME knob of the main unit. When using this function, note that turning the VOLUME knob more than 2 clicks will cause the volume value to change.

* The numeric value in the figure is an example for reference.

DC/PS (protection detection)

DC: DC protection value

Normal value: 1 to 13 (Reference: 5V=100%)

When DC is out of the normal value range, the protection function works to turn off the power.

PS: Power supply voltage protection value

Normal value: 18 to 33 (Reference: 5V=100%)

When PS is out of the normal value range, the protection function works to turn off the power.

10. AD DATA CHECK

本体パネルキー、プロテクションなどを検出している端子のA/D変換の値を、サブメニューで%表示します。信号処理は実行前の状態を維持します。

K0/K1のメニューにすると、全キーの値を検出するためキー操作はできなくなりますが、本体のVOLUMEを回すことにより、次のサブメニューに進めることができます。このとき2クリック以上回すと、ボリューム値が変化するので注意してください。

図中の数値は参考例です。

DC/PS (プロテクションの検出)

DC: DCプロテクションの値

正常値1~13(基準電圧 5V=100%)

DCは正常値を外れるとプロテクションが働き、電源オフされます。

PS: 電源電圧プロテクションの値

正常値18~33(基準電圧 5V=100%)

PSは正常値を外れるとプロテクションが働き、電源オフされます。

DC:008 PS:030

THM (temperature detection)

THM: 500% display of the voltage based on the temperature detected value. Reference voltage : 5V
 For the normal value, refer to the table below.

THM (温度検出)

THM: 温度検出値で電圧の500%表示、基準電圧は5V
 正常値は下表参照。

THM:100

Destination	Normal Voltage
U, C, T, K, A, B, G, E, J	9-177
R, L	9-167

IMP SW/POWER LIMIT

(Impedance/power limiter detection)

IMP: Not applied to these models.

PL: Power limiter detection value

The voltage value of pin No. 92 of IC451 is displayed, using 5V/256 as standard.

The port (No.3) output is controlled by using the input voltage value of pin No. 92 of IC451.

IMP:8 PL:55%

Not applied to these models.

K0/K1 (Panel key of main unit)

A/D of the key fails to function properly when the standard value is deviated. In this case, check the constant of partial pressure resistor, solder condition, etc. Refer to table 1.

K0:100%K1:100%

IMP SW/POWER LIMIT

(インピーダンス/パワーリミッターの検出)

IMP: このモデルには適用されません。

PL: パワーリミッター検出の値

IC451 92ピンの入力電圧値を5V/256を基準にして表示します。

IC451 92ピンの入力電圧値により、ポート(3ピン)を制御します。

K0/K1 (本体パネルキー)

キーのA/Dは基準値から外れると、正常な動きをしません。Table 1をご覧ください、各キーの分圧抵抗の定数、ハンダ不良等の確認をしてください。

[Table 1]

RX-V557 (U, C, A, B, G, E models)

Display (%)	K0	K1
0 - 6	MAIN POWER	Z2 POWER
7 - 13	-	-
14 - 21	-	-
22 - 31	-	-
32 - 41	INPUT MODE	MULTI CH INPUT
42 - 53	STRAIGHT	FM/AM
54 - 63	TONE CONTROL	A/B/C/D/E
64 - 72	PRESET/TUNING	PRESET/TUNING ◁
73 - 80	SPEAKER B	PRESET/TUNING ▷
81 - 88	SPEAKER A	MEMORY
89 - 95	-	TUNING MODE
96 - 100	KEY OFF	KEY OFF

[Table 1]

RX-V557/DSP-AX557 (R, T, K, L, J models)

Display (%)	K0	K1
0 - 6	-	-
7 - 13	-	-
14 - 21	-	-
22 - 31	-	-
32 - 41	INPUT MODE	MULTI CH INPUT
42 - 53	STRAIGHT	FM/AM
54 - 63	TONE CONTROL	A/B/C/D/E
64 - 72	PRESET/TUNING	PRESET/TUNING ◁
73 - 80	SPEAKER B	PRESET/TUNING ▷
81 - 88	SPEAKER A	MEMORY
89 - 95	-	TUNING MODE
96 - 100	KEY OFF	KEY OFF

[Table 1]

HTR-5850/RX-V457/HTR-5840/DSP-AX457 (U, C, R, T, K, A, L, J models)

Display (%)	K0	K1
0 - 6	PROGRAM ◁	-
7 - 13	PROGRAM ▷	-
14 - 21	BASS/TREBLE -	-
22 - 31	BASS/TREBLE +	-
32 - 41	INPUT MODE	MULTI CH INPUT
42 - 53	STRAIGHT	FM/AM
54 - 63	TONE CONTROL	A/B/C/D/E
64 - 72	PRESET/TUNING	PRESET/TUNING ◁
73 - 80	SPEAKER B	PRESET/TUNING ▷
81 - 88	SPEAKER A	MEMORY
89 - 95	-	TUNING MODE
96 - 100	KEY OFF	KEY OFF

[Table 1]

RX-V457/HTR-5840 (B, G, E models)

Display (%)	K0	K1
0 - 6	PROGRAM ◁	EON
7 - 13	PROGRAM ▷	MODE
14 - 21	BASS/TREBLE -	PTY SEEK START
22 - 31	BASS/TREBLE +	PTY SEEK MODE
32 - 41	INPUT MODE	MULTI CH INPUT
42 - 53	STRAIGHT	FM/AM
54 - 63	TONE CONTROL	A/B/C/D/E
64 - 72	PRESET/TUNING	PRESET/TUNING ◁
73 - 80	SPEAKER B	PRESET/TUNING ▷
81 - 88	SPEAKER A	MEMORY
89 - 95	-	TUNING MODE
96 - 100	KEY OFF	KEY OFF

11. V CONV STATUS

Not applied to these models.

LOW BYTE DATA

L: 11111111

HIGH BYTE DATA

H: 11111111

11. V CONV STATUS

このモデルには適用されません。

LOW BYTE DATA

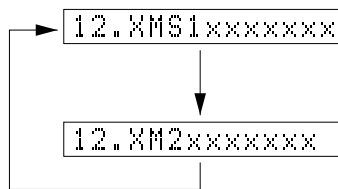
HIGH BYTE DATA

12. XM STATUS

Not applied to these models.

12. XM STATUS

このモデルには適用されません。



13. IF STATUS (Input function status)

Using the sub-menu, the status data is displayed one after another in the hexadecimal notation.

During signal processing, the status before execution of this menu is maintained.

* Numeric values in the figure example are for reference.

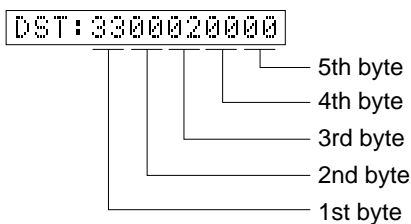
13. IF STATUS

サブメニュー操作により、以下のステータス情報を順次16進数で表示します。信号処理は、本メニュー実行前の状態を維持します。

図中の数値は参考例です。

DST: DSP status

DST: DSPステータス



<1st byte> Digital input/output setting value
 Upper 4 bits: REC OUT selected /
 lower 4 bits: INPUT selected

<第1バイト> デジタル入出力設定値
 上位4 bit REC OUT選択 /
 下位4 bit INPUT選択

Value	Choice	Preset name
0	NONE	
1	OPT FRONT	V-AUX
2	OPT 1	MD/CD-R
3	OPT 2	DVD
4	OPT 3	DTV/CBL
8	COAX 1	CD
9	COAX 2	DVD

<2nd byte> / <第2バイト>

Fs information of reproduction signal /
 再生信号のFs情報

Display	Fs (kHz)
00	Analog
01	32 kHz
02	44.1 kHz
03	48 kHz
04	64 kHz
05	88.2 kHz
06	96 kHz
07	128 kHz
08	176.4 kHz
09	192 kHz
0A	Unknown NRM
0B	Unknown DBL
0C	Unknown QUAD
0D	Unknown
0E	Undefined

<3rd byte> / <第3バイト>

Audio code mode information of
 reproduction signal /
 再生信号のオーディオコードモード情報

Display	Audio code
00	1+1
01	1/0
02	2/0
03	3/0
04	2/1
05	3/1
06	2/2
07	3/2
08	2/3
09	3/3
0A	3/4
0B	over 6.1
0C	Milti-Mono
0D	Milti-PCE
0E	Unknown
0F	Undefined

<4rd byte> / <第4バイト>

Format information of reproduction signal /
 再生信号のフォーマット情報

Display	Signal format
00	Analog
01	Err
10	PCM Audio
20	Digital Data
21	IEC1937
22	None PCM
23	Unknown
50	dts
51	dts-CD
52	dts 96/24
54	dts-ES (Matrix)
58	dts-ES (Discrete)
5C	dts-ES (Both)
60	AAC
C0	Dolby Digital
C1	Dolby Digital Karaoke
C4	Dolby Digital EX
FF	Undefined

<5th byte> / <第5バイト>

Signal processing status information /
 信号処理ステータス情報

bit	Fs (kHz)
bit 7	Digital mute
bit 6	-
bit 5	6.1 (7.1) processing
bit 4	Analog mute
bit 3	-
bit 2	PCM through
bit 1	-
bit 0	dts analog mute

DMD: Decoder mode information
 Not applied to these models.

DMD : デコーダー情報
 このモデルには適用されません。

DMD: 03C00000

DIF: DIR information
 Not applied to these models.

DIF : DIR情報
 このモデルには適用されません。

DIF: 1401000600

PC: Preamble C information
 Not applied to these models.

PC : Preamble C情報
 このモデルには適用されません。

PC: 0000

CS1, 2: Channel status information
 Not applied to these models.

CS1、2 : チャンネルステータス情報
 このモデルには適用されません。

CS1: 000000000000 - - - - - CS2: 00

DEI: Decoder information
 Not applied to these models.

DEI : デコーダー情報
 このモデルには適用されません。

DEI: 0808000600

BS1-8: Bit stream information
 Not applied to these models.

BS1-8 : ビットストリーム情報
 このモデルには適用されません。

BS1: 0000000000 - - - - - BS8: 00

MTT: Mute Trigger
 Not applied to these models.

MTT : Mute Trigger
 このモデルには適用されません。

MTT: 0018001820

DGI: Digital information
 Not applied to these models.

DGI : DIGITAL系情報
 このモデルには適用されません。

DGI: FFFFFFFF

14. DSP BUS CHECK

This menu is used to self-diagnose whether or not the bus connection for the TI (DA60Y) and the external ROM/RAM is made properly.
 When no error is detected, "NoEr" appears on display.

14. DSP BUS CHECK

TI(DA60Y)と外付けROM/RAMとのバス接続の正否を自己診断します。
 エラーが検出されなかった場合は、“ NoEr ”と表示されます。

TI BUS:NoEr

No error detected.
 不良検出なし

or

TI BUS:Boot

When this indication is displayed with in seconds or displayed alternately “NoEr” and “Boot”, it is highly possible that there are errors.
 数秒間この状態、またはNoErと交互に表示される場合、異常が発生している可能性があります。

15. SWFR CUT OFF

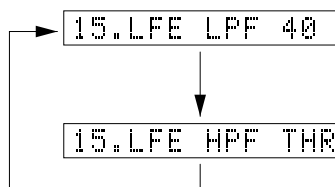
The cut off frequency setting of LFE.

15. SWFR CUT OFF

LFE出力のカットオフ周波数を設定できます。

Low-pass filter setting.

It can be selected 40 Hz to 200 Hz every 10 Hz by the STRAIGHT key.



ローパスフィルタの設定です。

STRAIGHTキーにより、40 Hz ~ 200 Hzまで 10 Hz単位で変更できます。

High-pass filter setting.

It can be selected 40 Hz to 200 Hz every 10 Hz and through by the STRAIGHT key.

ハイパスフィルタの設定です。

STRAIGHTキーにより、40 Hz ~ 200 Hzまで 10 Hz単位とスルーに変更できます。

16. PROTECTION SETTING

Not applied to these models.

16. PROTECTION SETTING

このモデルには適用されません。

17. PROTECTION HISTORY

Four protection histories are display.

17. PROTECTION HISTORY

過去のプロテクション履歴を4つまで表示します。

18. SOFT SW

Note) Changing the function setting may hinder the proper operation.

This menu is used to switch the function settings on P.C.B. through the software so as to activate the product.

The protection function follows the P.C.B. settings. When connected to AC or in the maker preset state, the unit is initialized to the P.C. B. setting. Display of each function after initialization varies depending on settings on P.C.B. The operation mode can be changed by selecting the sub-menu and then using the STRAIGHT key.

SW MODE: PCB, MODEL or FNC can be selected.

18.SW : PCB

MODEL SETTING: V757, V657, H5860, V557, V457, H5850 or V357 can be selected. (SW MODE: Selectable when MODEL has been selected.)

18.MODEL:V557

DESTINATION: J, U, C, R, T, K, A, B, G (E) or L can be selected. (SW MODE: Selectable when MODEL has been selected.)

18.DEST :U

TUNER DESTINATION: J, UC, R, ABG or RL can be selected. (SW MODE: Selectable when FNC has been selected.)

18.TuDest:UC

TUNER TYPE: NRM, RDS or XM can be selected. (SW MODE: Selectable when FNC has been selected.)

18.TuTyp:XM

VIDEO FORMAT: NTSC or PAL can be selected. (SW MODE: Selectable when FNC has been selected.)

18.VIDEO:NTSC

ZONE2: NOT or EXIST can be selected. (SW MODE: Selectable when FNC has been selected.)

18.ZONE2:NOT

18. SOFT SW

注)機能設定を変更した場合、正常に動作しないことがあります。

P.C.B.上の機能設定をソフト的に切り替えて、製品を動作させる機能です。

プロテクション機能は、P.C.B.の設定にしたいがいます。AC接続またはメーカープリセットで、P.C.B.の設定に初期化されます。初期化後の各機能の表示は、P.C.B.上の設定によります。操作は、サブメニューを選んだ後、STRAIGHTキーで切り替えます。

SW MODE : PCB、MODELまたはFNCを選択できます。

MODEL SETTING : V757、V657、H5860、V557、V457、H5850、V357のいずれかを選択できます。(SW MODE : MODEL時選択できます。)

DESTINATION : J、U、C、R、T、K、A、B、(E) Lのいずれかを選択できます。(SW MODE : MODEL時選択できます。)

TUNER DESTINATION : J、UC、R、ABG、RLのいずれかを選択できます。(SW MODE : FNC時選択できます。)

TUNER TYPE : NRM、RDS、XMのいずれかを選択できます。(SW MODE : FNC時選択できます。)

VIDEO FORMAT : NTSCまたはPALを選択できます。(SW MODE : FNC時選択できます。)

ZONE2 : NOTまたはEXISTを選択できます。(SW MODE : FNC時選択できます。)

AAC: NOT or EXIST can be selected. (SW MODE:
Selectable when FNC has been selected.)

AAC : NOTまたはEXISTを選択できます。(SW MODE : FNC
時選択できます。)

18.AAC #NOT

TUNER: NOT or EXIST can be selected. (SW MODE:
Selectable when FNC has been selected.)

TUNER : NOTまたはEXISTを選択できます。(SW MODE :
FNC時選択できます。)

18.TUNER#EXIST

ZONE2 AMP: NOT or EXIST can be selected. (SW
MODE: Selectable when FNC has been selected.)

ZONE2 AMP : NOTまたはEXISTを選択できます。(SW
MODE : FNC時選択できます。)

18.Z2AMP#NOT

OSD: NOT or EXIST can be selected. (SW MODE:
Selectable when FNC has been selected.)

OSD : NOTまたはEXISTを選択できます。(SW MODE : FNC
時選択できます。)

18.OSD #NOT

YPAO: NOT or EXIST can be selected. (SW MODE:
Selectable when FNC has been selected.)

YPAO : NOTまたはEXISTを選択できます。(SW MODE :
FNC時選択できます。)

18.YPAO #NOT

19. SOFTWARE VERSION

The version, checksum and the port specified by the microprocessor are displayed. The signal is processed using EFFECT OFF. The checksum is obtained by adding the data at every 16 bits for each program area and expressing the result as a 4-figure hexadecimal data.

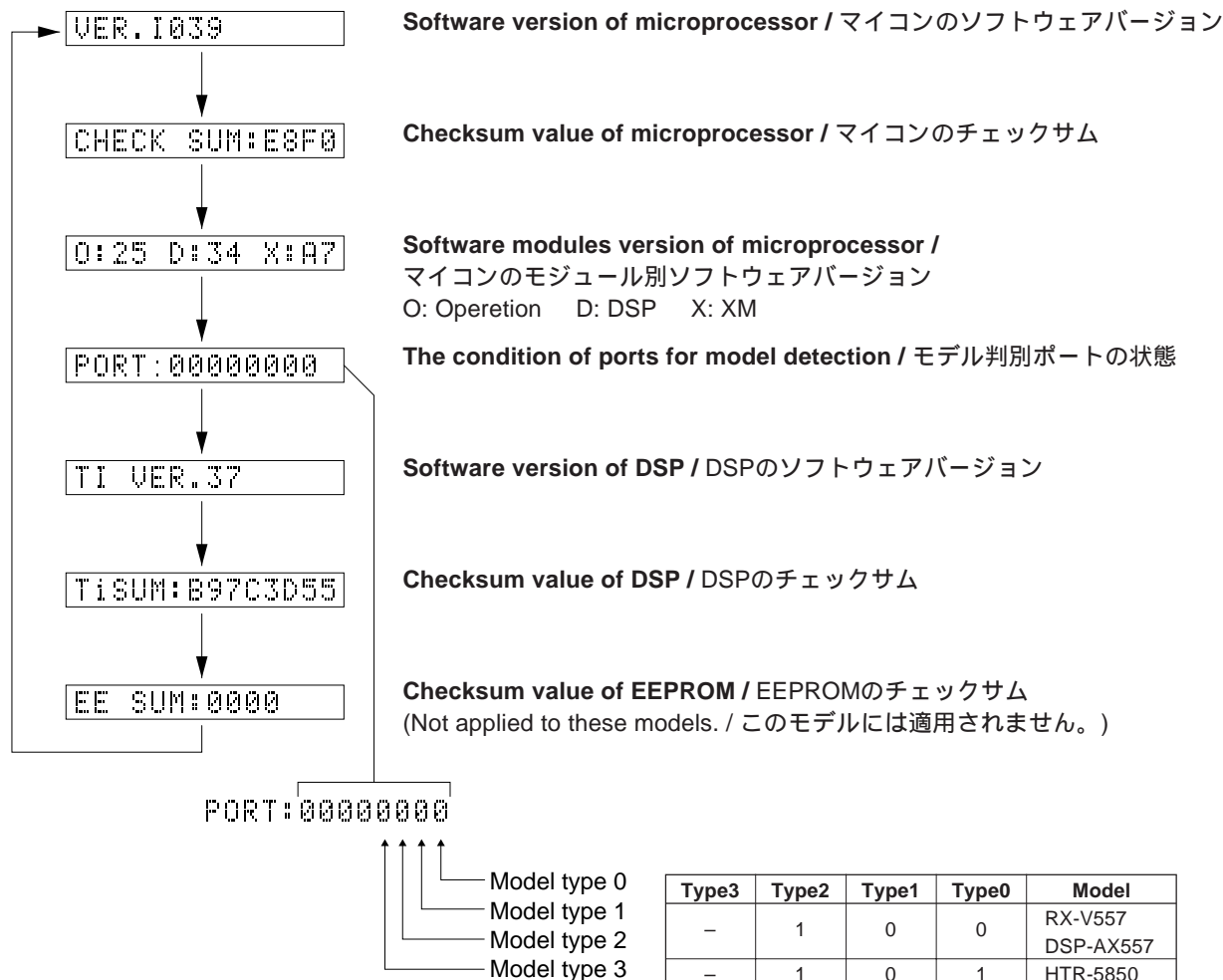
* Numeric values in the figure example are for reference.

19. SOFTWARE VERSION

ソフトウェアのバージョン、チェックサム、マイコンの指定ポートを表示します。

信号はエフェクトOFFです。チェックサムは、プログラムエリア別にデータを16ビットごとに加算していき、4桁の16進データで現したものです。

図中の数値は参考例です。



20. DSP SOFTWARE REWRITE

The rewriting mode of DSP software.
 (Not applied to these models.)

20. DSP SOFTWARE REWRITE

DSPのソフトウェア書き換えモードです。
 (このモデルには適用されません。)

■ AMP ADJUSTMENT / アンプ部調整

Confirmation of Idling Current of MAIN (1) P. C. B.

- Right after power is turned on, confirm that each measured voltage across the terminals of R45 (FRONT Lch), R46 (FRONT Rch), R50 (CENTER), R47 (SURROUND Lch), R48 (SURROUND Rch), R49 (SURROUND BACK Rch) is between 0.1 mV and 10.0 mV.
- If it exceeds 10.0 mV, open (cutoff) R38 (FRONT Lch), R39 (FRONT Rch), R37 (CENTER), R34 (SURROUND Lch), R35 (SURROUND Rch), R36 (SURROUND BACK Rch) and reconfirm the voltage.

Attention

If the measured voltage exceeds 10.0 mV. after an amplifier repair, first check for a defective component before cutting the bias resistor.

- Confirm that the voltage is 0.2 mV ~ 15.0 mV. after 60 minutes.

メイン(1)基板のアイドリング電流の確認

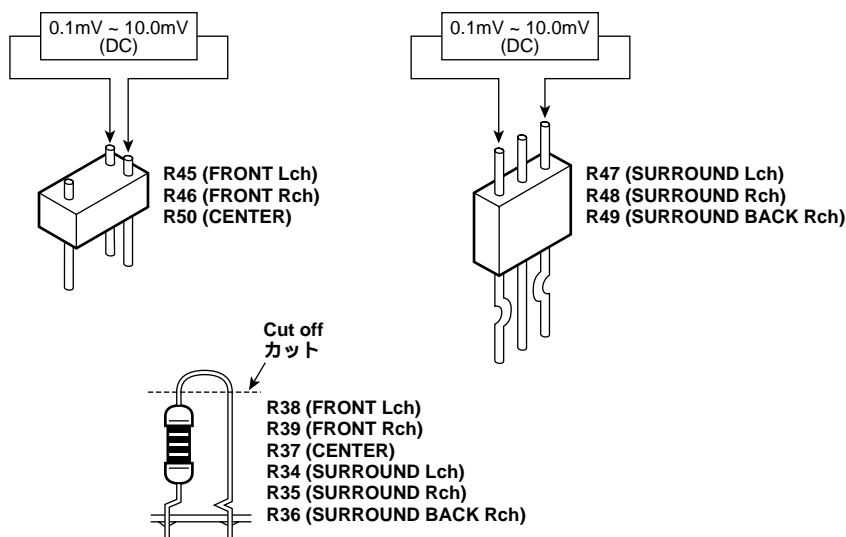
電源投入直後、R45(FRONT Lch)、R46(FRONT Rch)、R50(CENTER)、R47(SURROUND Lch)、R48(SURROUND Rch)、R49(SURROUND BACK Rch)の端子間電圧を測定し、0.1 mVから10.0 mVの間であることを確認してください。

電圧が10 mVを超えている場合は、R38(FRONT Lch)、R39(FRONT Rch)、R37(CENTER)、R34(SURROUND Lch)、R35(SURROUND Rch)、R36(SURROUND BACK Rch)をカットし、電圧を再確認してください。

注意

パワーアンプ修理後に10.0 mVを超えている場合は、抵抗をカットする前に故障箇所を調べてください。

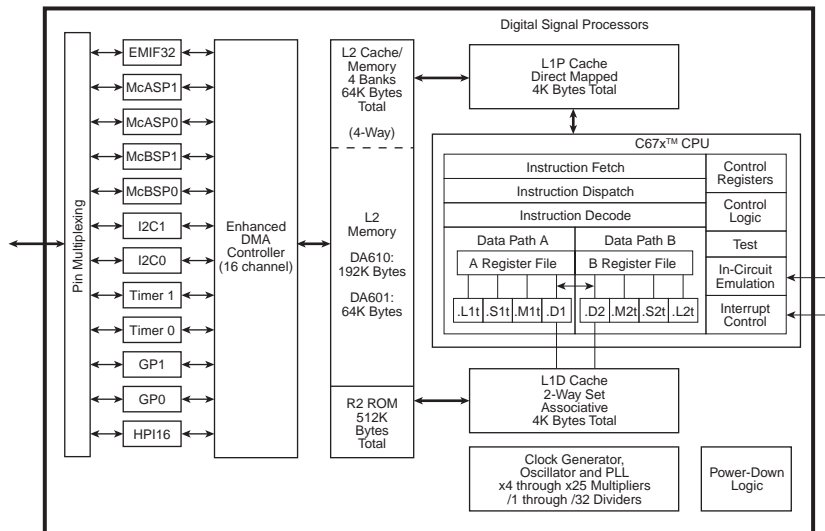
60分後、電圧が0.2 mV ~ 15.0 mVであることを確認してください。



IC DATA

IC5 : D60YA003BPYP225 (DSP P.C.B.)

Decoder



No.	Name [Default]	I/O	Function
1	GP0[4] / (EXT_INT4)	IOZ	General purpose I/O port 4 / Interrupt input (polarity selectable individually by using register)
2	GP0[6] / (EXT_INT6)	IOZ	General purpose I/O port 6 / Interrupt input (polarity selectable individually by using register)
3	CVDD	S	1.2V power supply
4	VSS	GND	Ground
5	DVDD	S	3.3V power supply
6	GP0[5] / (EXT_INT5)	IOZ	General purpose I/O port 5 / Interrupt input (polarity selectable individually by using register) (Unconnected)
7	GP0[7] / (EXT_INT7)	IOZ	General purpose I/O port 7 / Interrupt input (polarity selectable individually by using register) (Unconnected)
8	CLKS1	I	McBSP1 external clock source
9	DVDD	S	3.3V power supply
10	VSS	GND	Ground
11	CVDD	S	1.2V power supply
12	TINP1 / AHCLKX0	I / IOZ	Timer 1 Input / McASP0 Transmission MCLK
13	AXR1[11]	IOZ	McASP1 Transmission/reception data 11
14	CVDD	S	1.2V power supply
15	VSS	GND	Ground
16	CLKX0 / ACLKX0	IOZ	McBSP0 Transmission clock / McASP0 Transmission BCLK
17	AXR1[12]	IOZ	McASP1 Transmission/reception data 12
18	AXR1[13]	IOZ	McASP1 Transmission/reception data 13
19	ACLKR0	IOZ	McASP0 Reception BCLK
20	DX0	O/Z	McBSP0 Transmission data
21	FSX0	IOZ	McBSP0 Transmission Frame Sync
22	CVDD	S	1.2V power supply
23	VSS	GND	Ground
24	AFSR0	IOZ	McASP0 Reception LRCLK
25	DVDD	S	3.3V power supply
26	VSS	GND	Ground
27	DR0	I	McBSP0 Reception data
28	AHCLKR0	IOZ	McASP0 Reception MCLK
29	CVDD	S	1.2V power supply
30	VSS	GND	Ground
31	FSX1	IOZ	McBSP1 Transmission Frame Sync (Input in SPI slave state) (Unconnected)
32	AXR1[10]	IOZ	McASP1 Transmission/reception data 10
33	CLKX1 / AMUTE0	IOZ	McBSP1 Transmission clock (Input in SPI slave state) / McASP0 MUTE output (Unconnected)
34	VSS	GND	Ground
35	CVDD	S	1.2V power supply
36	AXR1[9]	IOZ	McASP1 Transmission/reception data 9
37	DR1 / SDA1	I / IOZ	McBSP1 Reception data / I2C1 data (Unconnected)
38	AXR1[8]	IOZ	McASP1 Transmission/reception data 8
39	VSS	GND	Ground
40	CVDD	S	1.2V power supply

IC5 : D60YA003BPYP225 (DSP P.C.B.)

Decoder

No.	Name	I/O	Function
41	SCL0	IOZ	I2C0 clock
42	SDA0	IOZ	I2C0 data
43	CVDD	S	1.2V power supply
44	DVDD	S	3.3V power supply
45	VSS	GND	Ground
46	CVDD	S	1.2V power supply
47	DVDD	S	3.3V power supply
48	VSS	GND	Ground
49	VSS	GND	Ground
50	CVDD	S	1.2V power supply
51	CVDD	S	1.2V power supply
52	VSS	GND	Ground
53	CVDD	S	1.2V power supply
54	VSS	GND	Ground
55	DVDD	S	3.3v power supply
56	ARDY	I	Asynchronous RAM Ready input
57	/CE3	O/Z	For external memory area, Enable 3 (Unconnected)
58	DVDD	S	3.3V power supply
59	VSS	GND	Ground
60	CVDD	S	1.2V power supply
61	/CE2	O/Z	For external memory area, Enable 2 (Unconnected)
62	EA2	O/Z	For external memory, Address 2
63	EA3	O/Z	For external memory, Address 3
64	EA4	O/Z	For external memory, Address 4
65	DVDD	S	3.3V power supply
66	VSS	GND	Ground
67	CVDD	S	1.2v power supply
68	EA5	O/Z	For external memory, Address 5
69	EA6	O/Z	For external memory, Address 6
70	EA7	O/Z	For external memory, Address 7
71	EA8	O/Z	For external memory, Address 8
72	DVDD	S	3.3V power supply
73	VSS	GND	Ground
74	EA9	O/Z	For external memory, Address 9
75	/SDRAS	O/Z	SDRAM RAS
76	EA10	O/Z	For external memory, Address 10
77	ECLKOUT	O/Z	Clock output for EMIF
78	ECLKIN	I	Clock input for EMIF (Unconnected)
79	/SDCAS	O/Z	SDRAM CAS
80	CVDD	S	1.2V power supply
81	VSS	GND	Ground
82	CLKOUT2 / GP0[2]	O/Z / IOZ	Half clock output of device Speed / General purpose I/O0 port 2 (Unconnected)
83	/SDWE	O/Z	SDRAM WE
84	DVDD	S	3.3V power supply
85	VSS	GND	Ground
86	EA11	O/Z	For external memory, Address 11
87	DVDD	S	3.3V power supply
88	VSS	GND	Ground
89	CVDD	S	1.2V power supply
90	EA14	O/Z	For external memory, Address 14 (Unconnected)
91	EA13	O/Z	For external memory, Address 13
92	EA16	O/Z	For external memory, Address 16 (Unconnected)
93	EA12	O/Z	For external memory, Address 12
94	EA15	O/Z	For external memory, Address 15 (Unconnected)
95	EA18	O/Z	For external memory, Address 18 (Unconnected)
96	CVDD	S	1.2V power supply
97	VSS	GND	Ground
98	DVDD	S	3.3V power supply

IC5 : D60YA003BPYP225 (DSP P.C.B.)

Decoder

No.	Name	I/O	Function
99	EA17	O/Z	For external memory, Address 17 (Unconnected)
100	EA19	O/Z	For external memory, Address 19 (Unconnected)
101	EA20	O/Z	For external memory, Address 20 (Unconnected)
102	/CE0	O/Z	For external memory area, Enable 0
103	/CE1	O/Z	For external memory area, Enable 1 (Unconnected)
104	CVDD	S	1.2V power supply
105	CVDD	S	1.2V power supply
106	VSS	GND	Ground
107	DVDD	S	3.3V power supply
108	/BE1	O/Z	For external memory, Byte Enable Control 1
109	EA21	O/Z	For external memory, Address 21 (Unconnected)
110	/BE0	O/Z	For external memory, Byte Enable Control 0
111	ED13	IOZ	For external memory, Data 13
112	ED15	IOZ	For external memory, Data 15
113	ED14	IOZ	For external memory, Data 14
114	DVDD	S	3.3V power supply
115	VSS	GND	Ground
116	CVDD	S	1.2V power supply
117	ED11	IOZ	For external memory, Data 11
118	ED12	IOZ	For external memory, Data 12
119	ED9	IOZ	For external memory, Data 9
120	ED10	IOZ	For external memory, Data 10
121	ED6	IOZ	For external memory, Data 6
122	ED7	IOZ	For external memory, Data 7
123	ED8	IOZ	For external memory, Data 8
124	CVDD	S	1.2V power supply
125	VSS	GND	Ground
126	DVDD	S	3.3V power supply
127	ED4	IOZ	For external memory, Data 4
128	ED5	IOZ	For external memory, Data 5
129	ED3	IOZ	For external memory, Data 3
130	ED2	IOZ	For external memory, Data 2
131	ED1	IOZ	For external memory, Data 1
132	ED0	IOZ	For external memory, Data 0
133	CVDD	S	1.2V power supply
134	VSS	GND	Ground
135	GP0[1]	IOZ	General purpose I/O0 port 1 (Unconnected)
136	BUSREQ	O/Z	For external memory, Bus request output (Unconnected)
137	/HOLDA	O/Z	For external memory, Hold request approval to host (Unconnected)
138	/HOLD	I	For external memory, Hold request from host
139	AFSR1	IOZ	McASP1 reception LRCLK
140	ACLKR1	IOZ	McASP1 reception BCLK
141	DVDD	S	3.3V power supply
142	VSS	GND	Ground
143	AXR[0]	IOZ	McASP1 transmission/reception data 0
144	AXR[1]	IOZ	McASP1 transmission/reception data 1
145	AXR1[2]	IOZ	McASP1 transmission/reception data 2
146	AXR18[3]	IOZ	McASP1 transmission/reception data 3
147	AXR1[4]	IOZ	McASP1 transmission/reception data 4
148	VSS	GND	Ground
149	CVDD	S	1.2V power supply
150	AXR1[5]	IOZ	McASP1 transmission/reception data 5
151	AXR1[6]	IOZ	McASP1 transmission/reception data 6
152	AXR1[7]	IOZ	McASP1 transmission/reception data 7
153	ACLKX1	IOZ	McASP1 transmission BCLK
154	AMUTE1	OZ	McASP1 MUTE output
155	AFSX1	IOZ	McASP1 transmission LRCLK
156	GP0[0]	IOZ	General purpose I/O0 port 0 (SPI ready signal output Active: H)

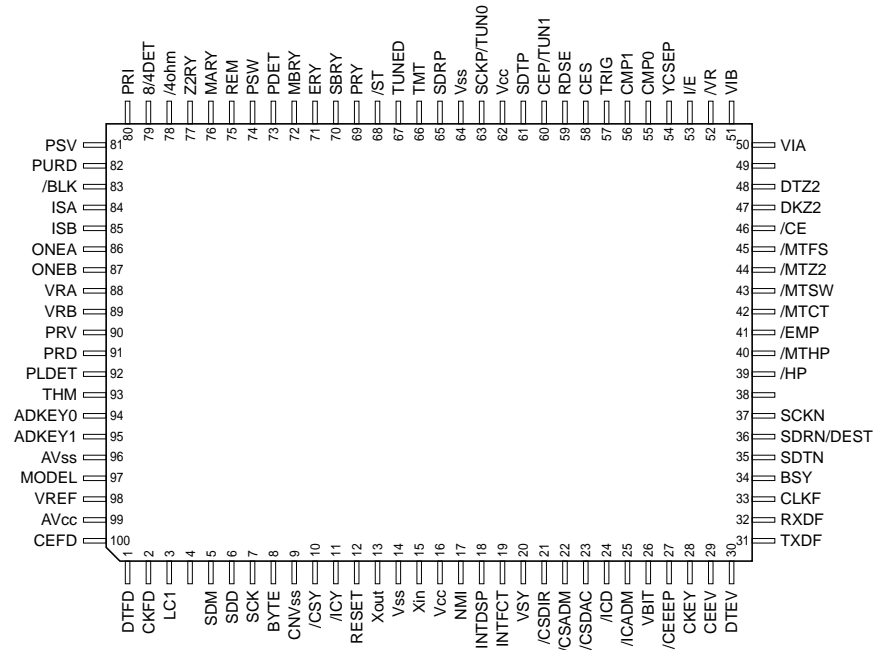
IC5 : D60YA003BPYP225 (DSP P.C.B.)

Decoder

No.	Name	I/O	Function
157	CVDD	S	1.2V power supply
158	VSS	GND	Ground
159	AHCLKX1	IOZ	McASP1 transmission MCLK
160	GP0[8]	IOZ	General purpose I/O0 port 8
161	AHCLKR1	IOZ	McASP1 reception MCLK
162	DVDD	S	3.3V power supply
163	VSS	GND	Ground
164	GP0[3]	IOZ	General purpose I/O0 port 3 (Unconnected)
165	GP0[9]	IOZ	General purpose I/O0 port 9
166	GP0[10]	IOZ	General purpose I/O0 port 10
167	GP0[11]	IOZ	General purpose I/O0 port 11
168	GP0[12]	IOZ	General purpose I/O0 port 12
169	CVDD	S	1.2V power supply
170	VSS	GND	Ground
171	CVDD	S	1.2V power supply
172	GP0[13]	IOZ	General purpose I/O0 port 13
173	GP0[14]	IOZ	General purpose I/O0 port 14
174	GP0[15]	IOZ	General purpose I/O0 port 15
175	NMI	I	Nonmaskable Interrupt ↑ edge
176	/RESET	I	Device reset
177	CVDD	S	1.2V power supply
178	OSCIN	I	X'tal input, Oscillation: 12 to 25MHz
179	OSCOU	O	X'tal output (Unconnected)
180	OSCVSS	GND	X'tal GND internal connection (Unconnected)
181	OSCVDD	S	X'tal 1.2V power supply internal connection (Unconnected)
182	VSS	GND	Ground
183	DVDD	S	3.3V power supply
184	CLKOUT3	O	Programmable clock output up to 32 division of PLL (Unconnected)
185	EMU1	IOZ	JTAG emulation pin 1 (1 k-ohms PD when boundary scanning)
186	EMU0	IOZ	JTAG emulation pin 0 (1 k-ohms PD when boundary scanning)
187	TDO	O/Z	JTAG Data Out
188	DVDD	S	3.3V power supply
189	VSS	GND	Ground
190	CVDD	S	1.2V power supply
191	TDI	I	JTAG Data In
192	TMS	I	JTAG Mode Select
193	TCK	I	JTAG Clock
194	VSS	GND	Ground
195	CVDD	S	1.2V power supply
196	CVDD	S	1.2V power supply
197	/TRST	I	JTAG Reset
198	RSV2	O/Z	Reserved (Unconnected)
199	PLLG	A	Analog GND for PLL
200	RSV0	A	Reserved (Unconnected)
201	PLLV	A	Analog 1.2V power supply for PLL
202	PLLV	A	Analog 3.3V power supply for PLL
203	RSV1	I	Reserved (GND)
204	CLKIN	I	Clock input
205	CLKMODE0	I	PLL input clock selection: Clkin or X'tal
206	DVDD	S	3.3V power supply
207	VSS	GND	Ground
208	CVDD	S	1.2V power supply

RX-V557/HTR-5850/DSP-AX557
RX-V457/HTR-5840/DSP-AX457

IC451: M30626FHPFP (SUBTRANS P.C.B.)
16bit μ -COM (Main CPU)



No.	Port Name	Terminal Name	I/O				Function
			PowerOn	Pure Direct	Standby	Sleep	
1	P96/ANEX1/SOUT4	DTFD	SO		O	O	FL Driver TxD
2	P95/ANEX0/CLK4	CKFD	SO		O	O	FL Driver CLOCK
3	P94/DA1/TB4in	LIMIT	DA		O	O	Limiter control output
4	P93/DA0/TB3in	TRIG	O		O	O	DC TRIGGER output
5	P92/TB2in/SOUT3	SDM	SO		O	O	Serial data output to DIR, TI (DA601) / DIR : 4M, LSBF/TI : 1M, MSBF
6	P91/TB1in/SIN3	SDD	SI		O	O	Serial data input from DIR, TI (DA601)
7	P90/TB0in/CLK3	SCK	SO		O	O	Serial data clock output to DIR, TI (DA601), DAC
8	BYTE	BYTE	MCU		MCU	MCU	Vss : When single chip mode is used
9	CNVss	CNVss	MCU		MCU	MCU	Vss : When single chip mode is used, Vcc : When flash writing is used
10	P87/Xcin	MUTETI	O		O	O	Muting (HI=MUTE) of TI decoder DSP DA601
11	P86/Xcout	TIBUSY	I		O	O	TI BUSY detection / CDDA write data input
12	/RESET	/RESET	MCU		MCU	MCU	Reset
13	Xout	Xout	MCU		MCU	MCU	Oscillation output (oscillation stopped in Sleep mode)
14	Vss	Vss	MCU		MCU	MCU	Ground for micro-processor
15	Xin	Xin	MCU		MCU	MCU	Oscillation input
16	Vcc1	Vcc	MCU		MCU	MCU	Power supply +5V for micro-processor
17	P85/NMI	NMI	MCU		MCU	MCU	Unused, connected to Vcc
18	P84/INT2	/INTTI	IRQ		O	O	Interruption of TI decoder DSP DA601
19	P83/INT1	/INTDIR	IRQ		O	O	Interruption of DIR
20	P82/INT0	N.C.	O		O	O	
21	P81/TA4in/U	/CSDIR	O		O	O	DIR chip enable
22	P80/TA4out/U	/CSTI	O		O	O	TI decoder DSP DA601 chip enable
23	P77/TA3in	/CSDAC	O		O	O	DAC (common to 2ch/8ch) chip enable
24	P76/TA3out	/ICDIR	O		O	O	DIR reset
25	P75/TA2in/W	/ICTI	O		O	O	TI decoder DSP DA601 reset
26	P74/TA2out/W	SPIRDY	O		O	O	TI DA601 Serial Ready / CDDA write WCK input
27	P73/CTS2/RTS2/TA1in/V	/CEEEP	I		O	O	EEPROM CE
28	P72/CLK2/TA1out/V	CKZ2	O		O	O	Zone2 Selector (BD3841) Clock (RX-V557_U, C, A, B, G, E models)
29	P71/RXD2/SCL2/TA0in/TB5in	DRXM	SI		O	O	DABIC IC RxD (U model)
30	P70/TXD2/SDA2/TA0out	DTXM	SO		O	O	DABIC IC TxD (U model)
31	P67/TXD1/SDA1	DTEV	SO		O	O	Electronic volume IC DATA
		TXDF	SO				Data transmission terminal for AF220

IC451: M30626FHPFP (SUBTRANS P.C.B.)
16bit μ-COM (Main CPU)

No.	Port Name	Terminal Name	I/O				Function
			PowerOn	Pure Direct	Standby	Sleep	
32	P66/RXD1/SCL1	DTZ2 RXDF	O SO	O			Zone2 Selector (BD3841) DATA (RX-V557_U, C, A, B, G models) FLASH ROM RxD
33	P65/CLK1	CKEV CLKF	SO SO	O			Electronic volume IC Clock Clock transmission terminal for AF220
34	P64/CTS1/RTS1/CTS0/CLKS1	BSY	O				BUSY signal output for AF220
35	P63/TXD0/SDA0	DTCV	SO	O	O	O	IIC data I/O for video (RX-V557)
36	P62/RXD0/SCL0	CKCV	SO	O	O	O	IIC clock I/O for video (clock speed 100kHz) (RX-V557)
37	P61/CLK0	/HP	I	O			HEAD PHONE detection
38	P60/CTS0/RTS0	/MTHP	O	O			HEAD PHONE MUTE output
39	P57/RDY/CLKout	/MTCT	O	O			MUTE Center
40	P56/ALE	/MTSW	O	O			MUTE SW
41	P55/HOLD	/EMP	I				For FLASH writing (LO)
42	P54/HLDA	/MTZ2	O	O			Zone 2 MUTE (RX-V557_U, C, A, B, G models)
43	P53/BCLK	/MTFS	O	O			MUTE Front/Surround, PreOUT
44	P52/RD	VIA	O	O			VIDEO Selector A
45	P51/WRH/BHE	VIB	O	O			VIDEO Selector B
46	P50/WRL/WR	/CE	I				For FLASH writing (HI)
47	P47/CS3	VR	O	O			VIDEO RecOut Selector 1
48	P46/CS2			O			
49	P45/CS1	YCSEP	O	O			Selection of Y/C separation (RX-V557)
50	P44/CS0	CMP0/MOD3	O	O			Component Selector 0 (RX-V557, HTR-5850)
51	P43/A19	CMP1	O	O			Component Selector 1 (RX-V557, HTR-5850)
52	P42/A18	CPNTD	I	O			Component Signal Detector (DVD)
53	P41/A17	CPNTT	I	O			Component Signal Detector (DTV)
54	P40/A16	SVIDD	I	O			S-Video Signal Detector
55	P37/A15	MOD2		I			MODEL distinction 2 (Data taken in when reset is cancelled)
56	P36/A14	MOD1		I			MODEL distinction 1 (Data taken in when reset is cancelled)
57	P35/A13	SDTN	O	O			RDS IC TxD (B, G models)
58	P34/A12	SDRN	I	O			RDS RxD (B, G models)
59	P33/A11	XMPWR SCKN	O O	O O			XM/DT BUS POWER CONTROL (U, C models) RDS IC Clock (B, G models)
60	P32/A10	/ICXM RDSE	O O	O O			DABIC IC reset (U model) RDS Enable (B, G models)
61	P31/A9	CEP	O	O			PLL IC Enable
62	Vcc2	Vcc	MCU	MCU		MCU	Power supply +5V for micro-processor
63	P30/A8	SDTP	O	O			PLL IC TxD
64	Vss	Vss	MCU	MCU		MCU	Ground for micro-processor
65	P27/A7	SCKP	O	O			PLL IC Clock (With/without pull-up resistor is selected for every 4 bits.)
66	P26/A6	SDRP	I+	O			PLL IC RxD (With/without pull-up resistor is selected for every 4 bits.)
67	P25/A5	TUNED	I+	O			TUNED (With/without pull-up resistor is selected for every 4 bits.)
68	P24/A4	/ST	I+	O			TUNER /ST (With/without pull-up resistor is selected for every 4 bits.)
69	P23/A3	/TMUTE	O	O			TUNER MUTE
70	P22/A2	PRY	O	O			Power relay output
71	P21/A1	SBRY	O	O			Surround Back SP relay output
72	P20/A0	ERY	O	O			Surround SP relay output
73	P17/D15/INT5	PDET	IRQ	IRQ			Power Down DETECT INT
74	P16/D14/INT4	/PSW	IRQ	IRQ			SYSTEM/MAIN/Zone2 Power switch interruption (Pushed switch is judged using ADKEY0 and ADKEY1. Refer to Details of "AD-DA".)
75	P15/D13/INT3	REM	IRQ	IRQ			Remote control input
76	P14/D12	MBRY	O	O			Front B SP relay output
77	P13/D11	MARY	O	O			Front A SP relay output
78	P12/D10	YST	O	O			YST amp control (HTR-5835)
79	P11/D9	4ohm	O	O			IMPEDANCE control: At 8ohm setting, Low (relay OFF, B voltage High) / ±B voltage Control: At 4ohm setting and temperature rise, High (relay ON, B voltage Low)
80	P10/D8	PRI	I	O			Protection over current detection
81	P07/D7	PSV	O	O			Power Save
82	P06/D6	/VMUTE	O	O			VIDEO MUTE control (Low : VIDEO MUTE ON) (RX-V557)
83	P05/D5	/BLK	O	O			FL Driver light off

IC451: M30626FHPFP (SUBTRANS P.C.B.)
16bit μ-COM (Main CPU)

No.	Port Name	Terminal Name	I/O				Function
			PowerOn	Pure Direct	Standby	Sleep	
84	P04/D4	ISA	I	O			INPUT Selector Rotary A
85	P03/D3	ISB	I	O			INPUT Selector Rotary B
86	P02/D2	TONEA	O	O			Tone Control Rotary A (RX-V557, DSP-AX557)
87	P01/D1	TONEB	I	O			Tone Control Rotary B (RX-V557, DSP-AX557)
88	P00/D0	VRA	I	O			Volume Rotary A
89	P107/AN7/KI3	VRB	I	O			Volume Rotary B
90	P106/AN6/KI2	PRV	AD	AD			AD protection power supply voltage detection (Refer to Protection Setting Table.)
91	P105/AN5/KI1	PRD	AD	AD			AD protection DC detection (Refer to Protection Setting Table.)
92	P104/AN4/KI0	PLDET	AD	AD			AD POWER LIMITTER detection (Refer to Limiter Setting Table.)
93	P103/AN3	THM	AD	AD			AD temperature detection (Refer to Protection Setting Table.)
94	P102/AN2	ADKEY0	AD	AD			AD Key 0 (Refer to Details of "AD-DA".)
95	P101/AN1	ADKEY1	AD	AD			AD Key 1 (Refer to Details of "AD-DA".)
96	Avss	Avss	MCU	MCU		MCU	Ground for AD
97	P100/AN0	DEST	AD	AD			Distinction for AD (Data taken in when reset is cancelled. Refer to Details of "AD-DA".)
98	Vref	Vref	MCU	MCU		MCU	Reference for AD
99	Avcc	Avcc	MCU	MCU		MCU	Power supply for AD
100	P97/Adtrg/Sin4	CEFD / MOD0	O	O / I			FL Driver CE / MODEL distinction 0 (Data taken in when reset is cancelled.)

RX-V557 (U, C, A, B, G, E models)
Key Input(A-D) Pull-Up Resistance 10 k-Ohms

Ohm	+ 0.0 k	+ 1.0 k	+ 1.0 k	+ 1.5 k	+ 2.2 k	+ 3.3 k	+ 4.7 k	+ 4.7 k	+ 6.8 k	+ 10.0 k	+ 22.0 k
V	~ 0.3	~ 0.7	~ 1.0	1.5	~ 2.0	~ 2.6	~ 3.1	~ 3.4	~ 3.7	~ 4.0	~ 4.4
ADKEY0 94pin/AN2	MAIN POWER	-	-	-	INPUT MODE	STRAIGHT	TONE CONTROL	PRESET/TUNING	SPEAKER B	SPEAKER A	-
ADKEY1 95pin/AN1	Z2 POWER	-	-	-	MULTI CH INPUT	FM/AM	A/B/C/D/E	PRESET/TUNING <	PRESET/TUNING >	MEMORY	TUNING MODE

RX-V557/DSP-AX557 (R, T, K, L, J models)
Key Input(A-D) Pull-Up Resistance 10 k-Ohms

Ohm	+ 0.0 k	+ 1.0 k	+ 1.0 k	+ 1.5 k	+ 2.2 k	+ 3.3 k	+ 4.7 k	+ 4.7 k	+ 6.8 k	+ 10.0 k	+ 22.0 k
V	~ 0.3	~ 0.7	~ 1.0	1.5	~ 2.0	~ 2.6	~ 3.1	~ 3.4	~ 3.7	~ 4.0	~ 4.4
ADKEY0 94pin/AN2	-	-	-	-	INPUT MODE	STRAIGHT	TONE CONTROL	PRESET/TUNING	SPEAKER B	SPEAKER A	-
ADKEY1 95pin/AN1	-	-	-	-	MULTI CH INPUT	FM/AM	A/B/C/D/E	PRESET/TUNING <	PRESET/TUNING >	MEMORY	TUNING MODE

HTR-5850/RX-V457/HTR-5840/DSP-AX457 (U, C, R, T, K, A, L, J models)
Key Input(A-D) Pull-Up Resistance 10 k-Ohms

Ohm	+ 0.0 k	+ 1.0 k	+ 1.0 k	+ 1.5 k	+ 2.2 k	+ 3.3 k	+ 4.7 k	+ 4.7 k	+ 6.8 k	+ 10.0 k	+ 22.0 k
V	~ 0.3	~ 0.7	~ 1.0	1.5	~ 2.0	~ 2.6	~ 3.1	~ 3.4	~ 3.7	~ 4.0	~ 4.4
ADKEY0 94pin/AN2	PROGRAM	PROGRAM	BASS/TREBLE	BASS/TREBLE	INPUT MODE	STRAIGHT	TONE CONTROL	PRESET/TUNING	SPEAKER B	SPEAKER A	-
ADKEY1 95pin/AN1	<	>	-	+	MULTI CH INPUT	FM/AM	A/B/C/D/E	PRESET/TUNING <	PRESET/TUNING >	MEMORY	TUNING MODE

RX-V457/HTR-5840 (B, G, E models)
Key Input(A-D) Pull-Up Resistance 10 k-Ohms

Ohm	+ 0.0 k	+ 1.0 k	+ 1.0 k	+ 1.5 k	+ 2.2 k	+ 3.3 k	+ 4.7 k	+ 4.7 k	+ 6.8 k	+ 10.0 k	+ 22.0 k
V	~ 0.3	~ 0.7	~ 1.0	1.5	~ 2.0	~ 2.6	~ 3.1	~ 3.4	~ 3.7	~ 4.0	~ 4.4
ADKEY0 94pin/AN2	PROGRAM	PROGRAM	BASS/TREBLE	BASS/TREBLE	INPUT MODE	STRAIGHT	TONE CONTROL	PRESET/TUNING	SPEAKER B	SPEAKER A	-
ADKEY1 95pin/AN1	EON	MODE	PTY SEEK START	PTY SEEK MODE	MULTI CH INPUT	FM/AM	A/B/C/D/E	PRESET/TUNING <	PRESET/TUNING >	MEMORY	TUNING MODE

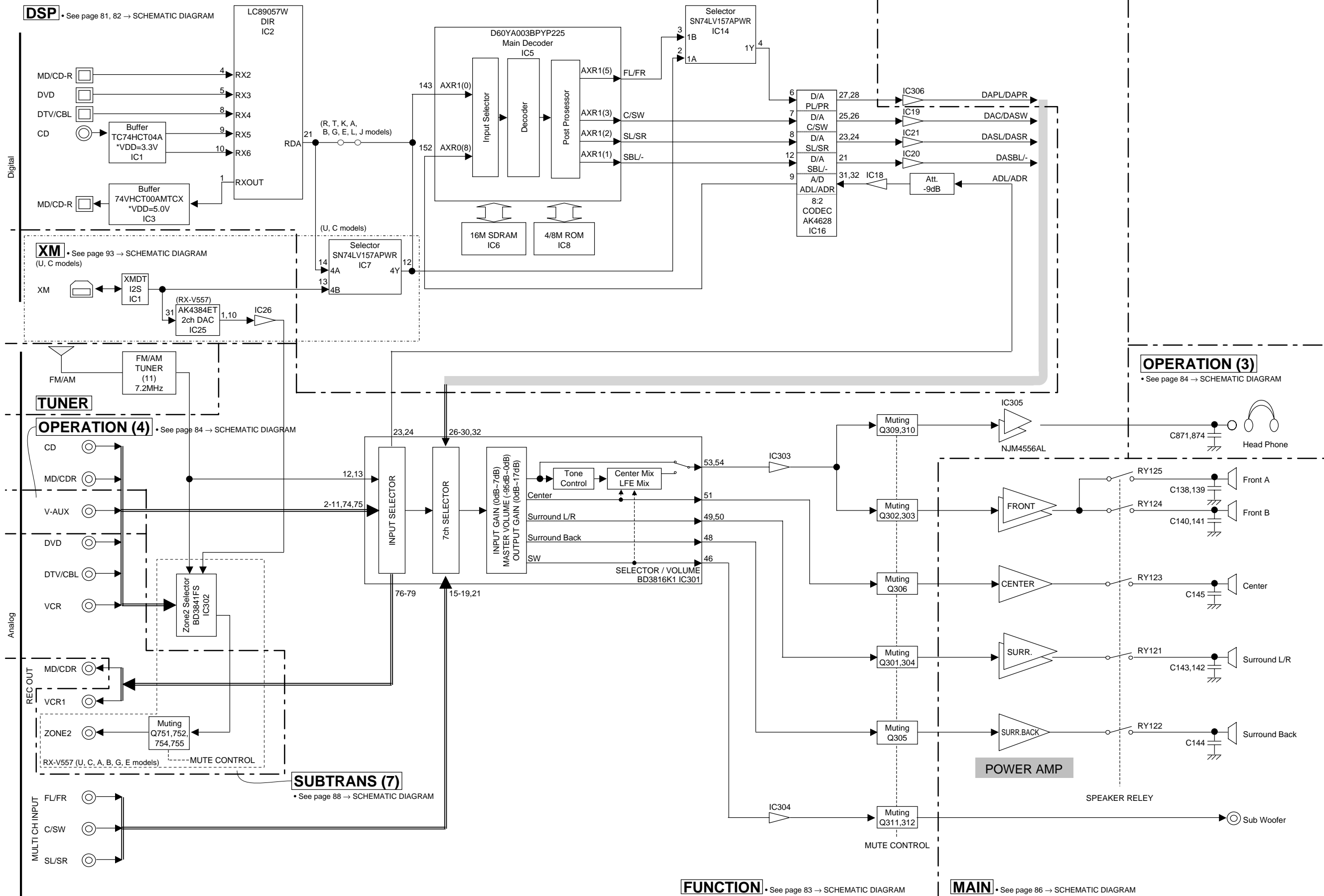
MODEL Distinction Port / モデル判別ポート

Pin	Function	Name	RX-V557/DSP-AX557	HTR-5850	RX-V457/HTR-5840/DSP-AX457
100	P97	MOD0	0	1	1
56	P36	MOD1	0	0	1
55	P37	MOD2	1	1	1
50	P44	MOD3	-	-	-

Distinction for AD Port / 仕向け先判別ポート
Pull-Up Resistance 10 k-Ohms

Ohm	0.0 k	1.2 k	2.7 k	4.7 k	6.8 k	10.0 k	15.0 k	27.0 k	47.0 k	100.0 k	∞
V	0-0.2	0.3-0.8	0.9-1.3	1.4-1.8	1.8-2.2	2.3-2.7	2.8-3.3	3.4-3.8	3.9-4.3	4.4-4.7	4.8-5.0
A-D (5V=256)	0-13	14-40	41-68	69-92	93-115	116-140	141-170	171-198	199-221	222-244	245-255
DEST 97pin	J	U	C	R	T	K	A	B	GE	L	-

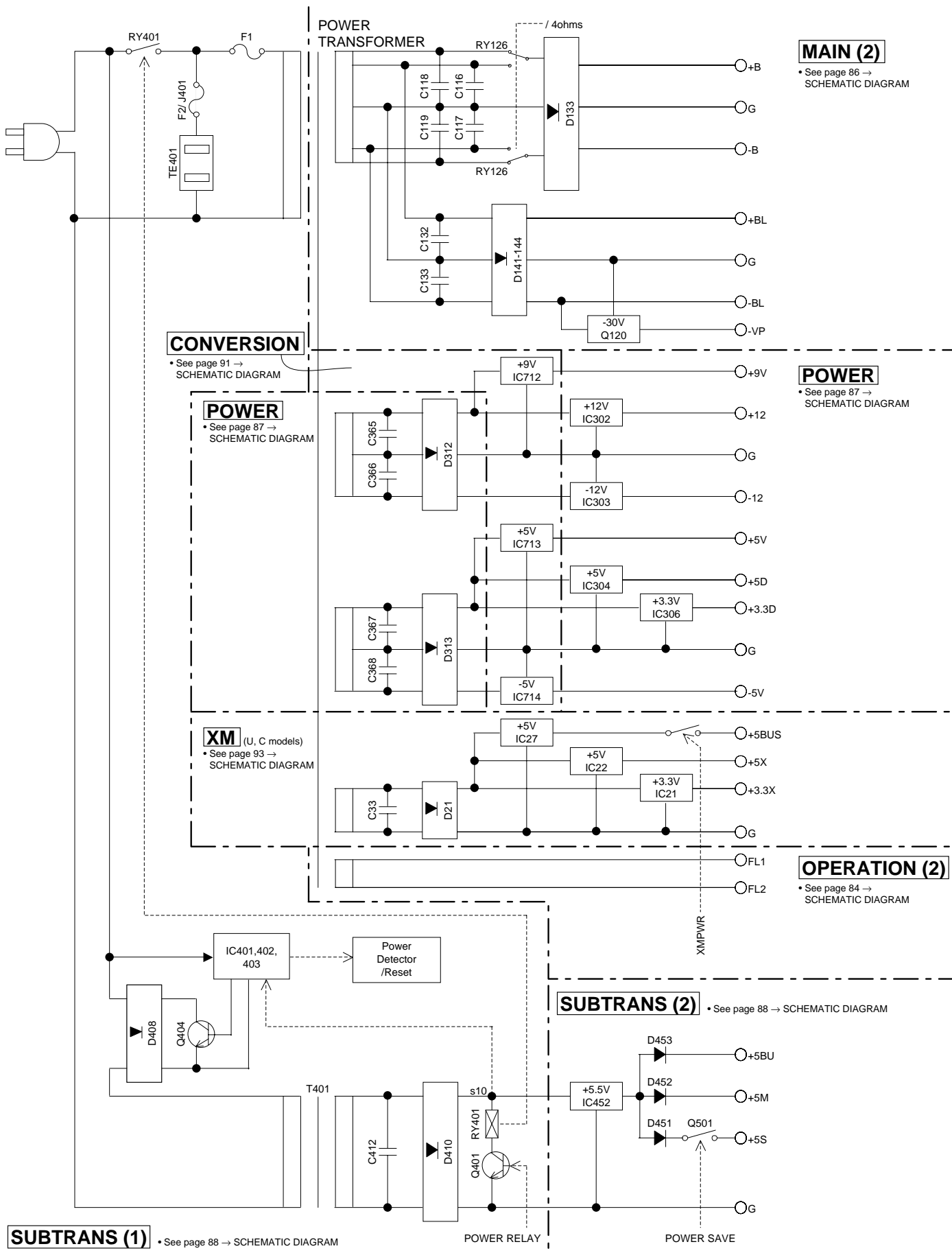
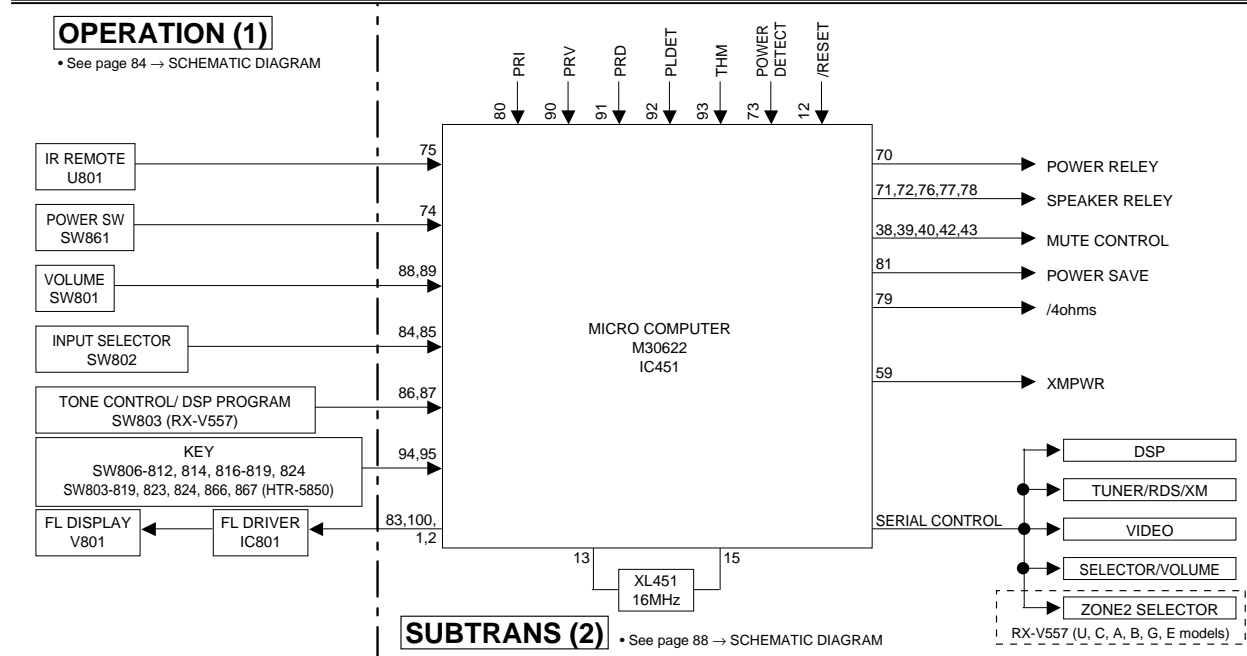
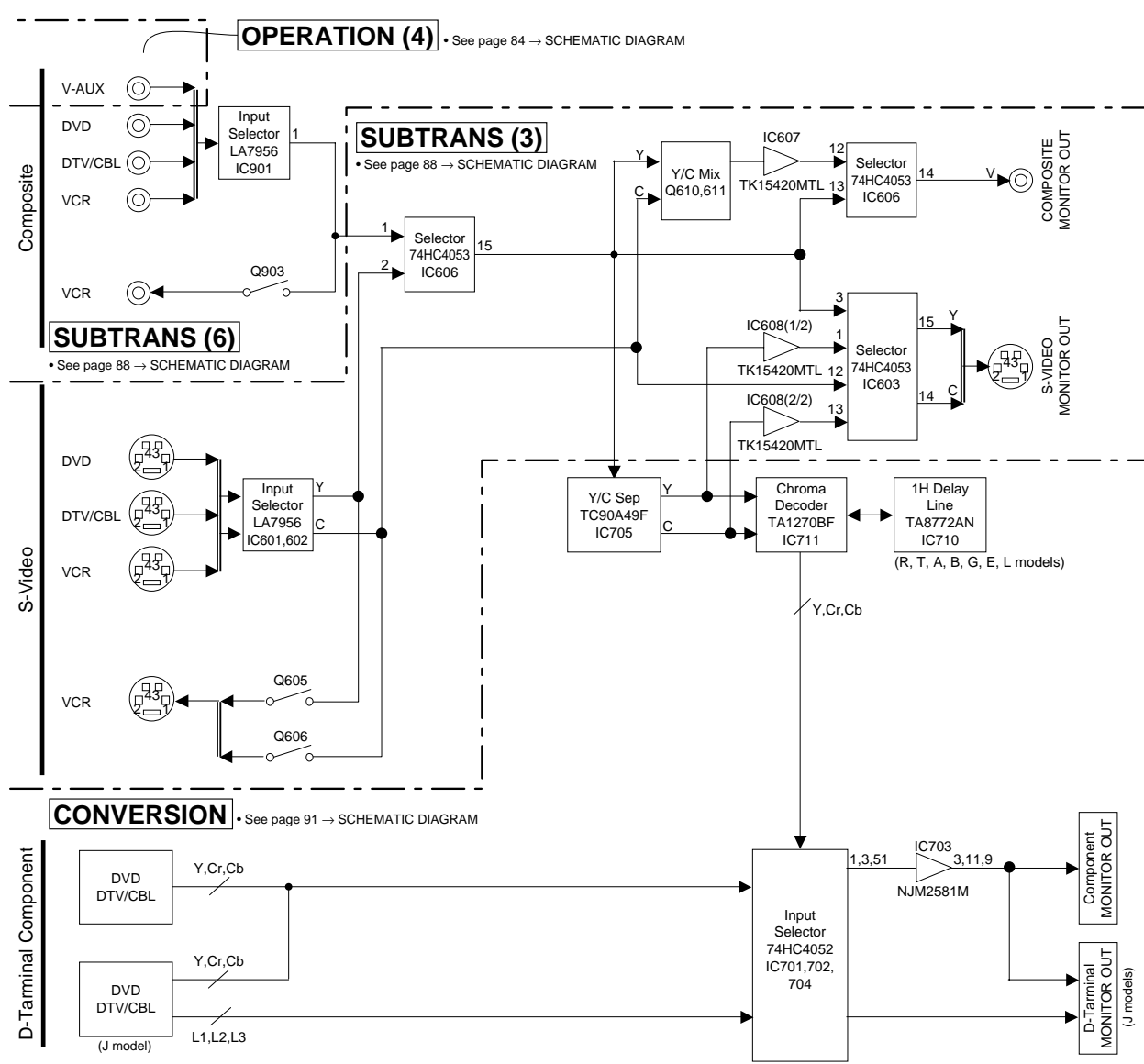
BLOCK DIAGRAM (1/2) RX-V557/HTR-5850/DSP-AX557



FUNCTION • See page 83 → SCHEMATIC DIAGRAM

MAIN • See page 86 → SCHEMATIC DIAGRAM

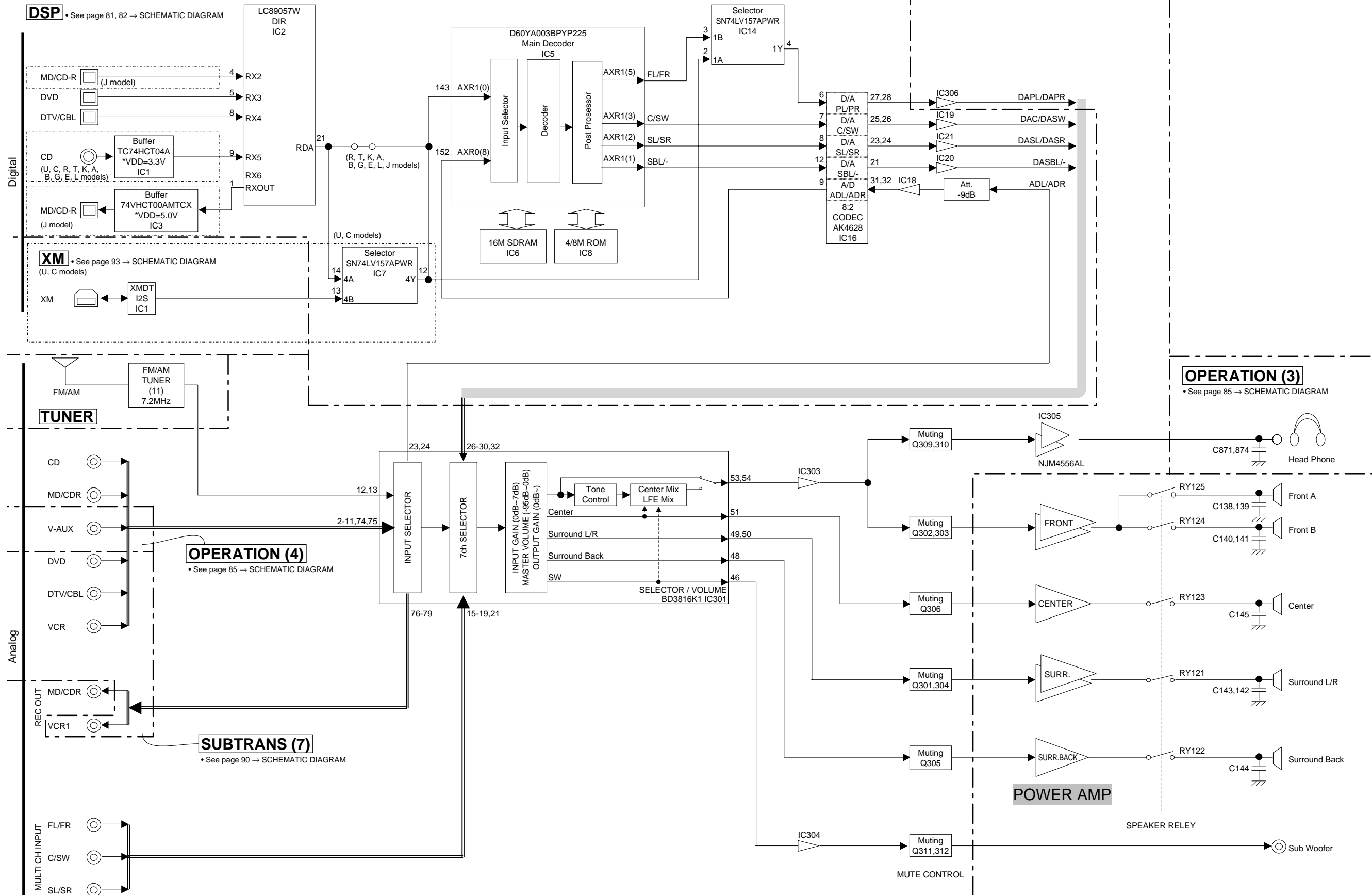
BLOCK DIAGRAM (2/2) RX-V557/HTR-5850/DSP-AX557



MAIN (2)
• See page 86 → SCHEMATIC DIAGRAM

POWER
• See page 87 → SCHEMATIC DIAGRAM

BLOCK DIAGRAM (1/2) RX-V457/HTR-5840/DSP-AX457



OPERATION (3)

• See page 85 → SCHEMATIC DIAGRAM

OPERATION (4)

• See page 85 → SCHEMATIC DIAGRAM

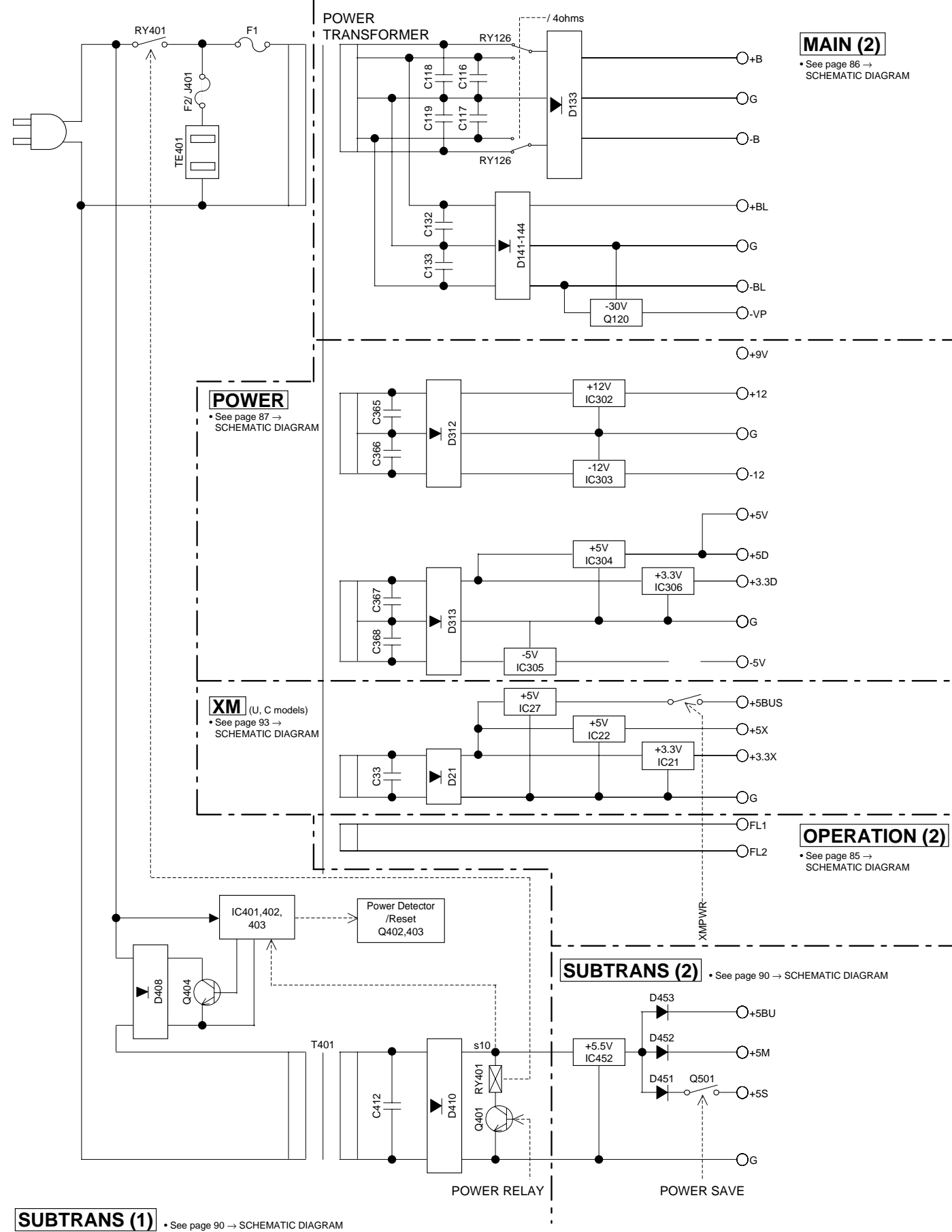
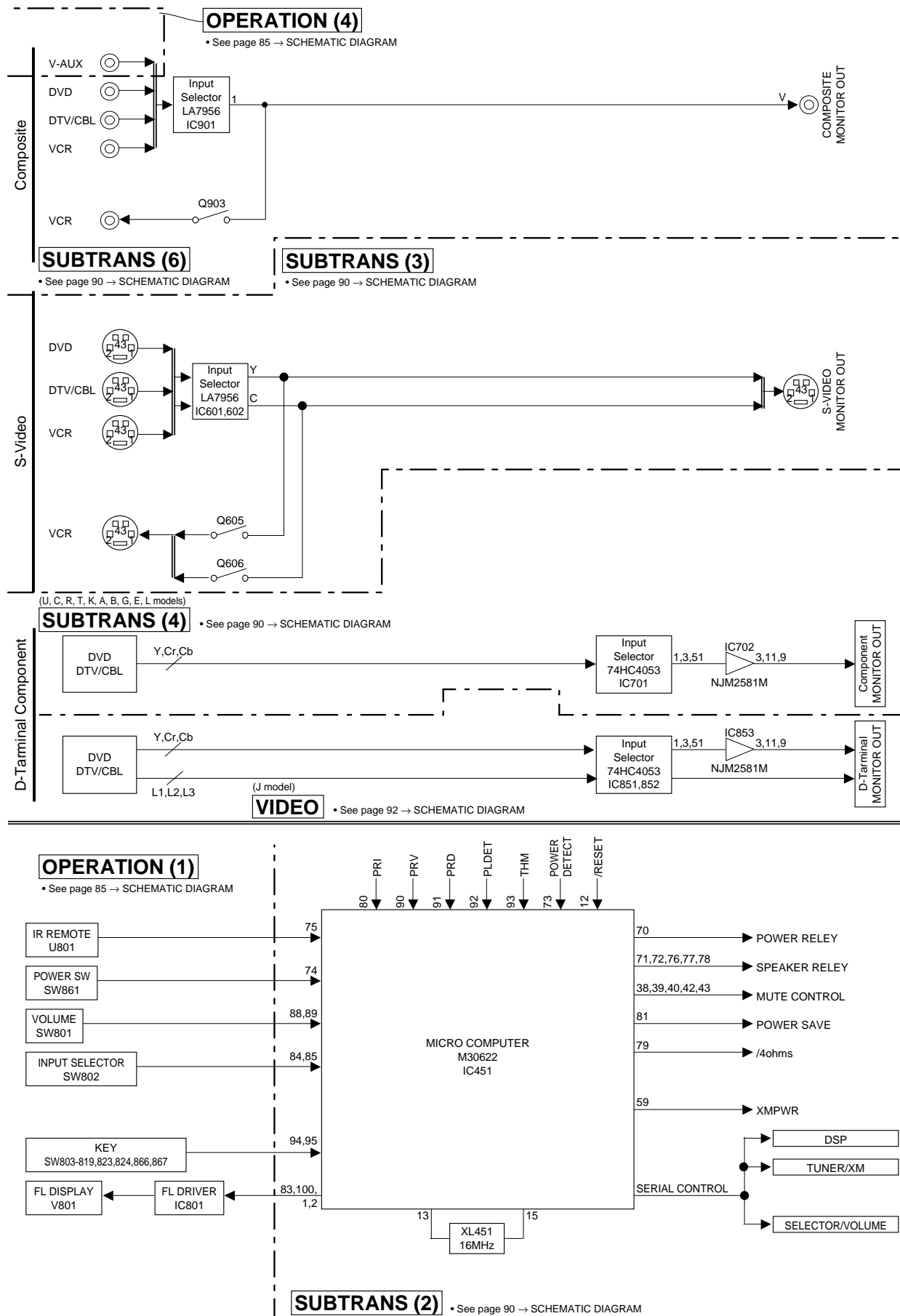
SUBTRANS (7)

• See page 90 → SCHEMATIC DIAGRAM

FUNCTION • See page 83 → SCHEMATIC DIAGRAM

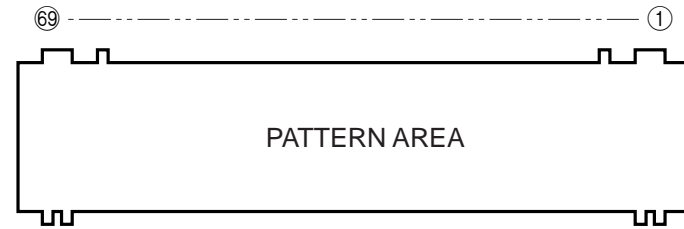
MAIN • See page 86 → SCHEMATIC DIAGRAM

BLOCK DIAGRAM (2/2) RX-V457/HTR-5840/DSP-AX457



■ DISPLAY DATA

● V801 : 17-BT-24GNK (WE289300)



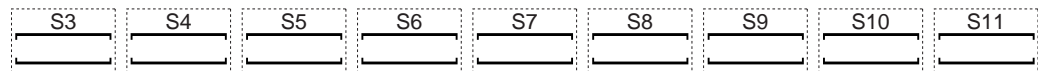
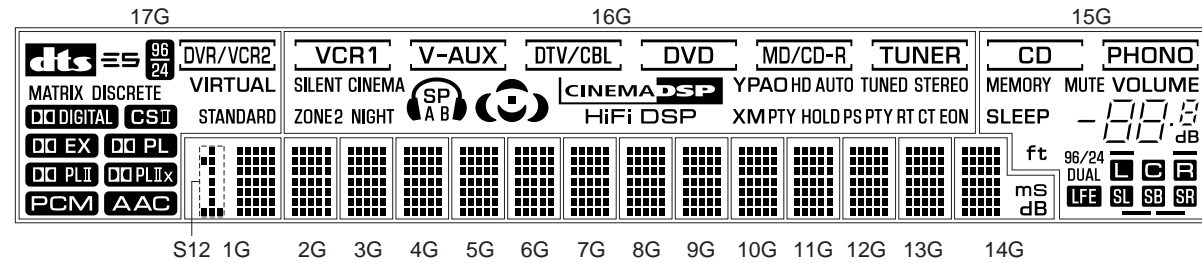
● PIN CONNECTION

Pin No.	69	68	67	66	65	64	63	62	61	60	59	58	57	56	55	54	53	52	51	50	49	48	47	46	45	44	43	42	41	40	39	38	37	36	35
Connection	F2	NX	NP	NP	P1	P2	P3	P4	P5	P6	P7	P8	P9	P10	P11	P12	P13	P14	P15	P16	P17	P18	P19	P20	P21	P22	P23	P24	P25	P26	P27	P28	P29	P30	P31

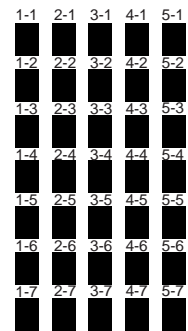
Pin No.	34	33	32	31	30	29	28	27	26	25	24	23	22	21	20	19	18	17	16	15	14	13	12	11	10	9	8	7	6	5	4	3	2	1
Connection	P32	P33	P34	P35	P36	P37	NX	NX	NX	NX	NX	NX	NX	17G	16G	15G	14G	13G	12G	11G	10G	9G	8G	7G	6G	5G	4G	3G	2G	1G	NP	NP	NX	F1

Note : 1) F1, F2 Filament 2) NP No pin 3) NX No extended pin 4) DL Datum line 5) 1G ~ 16G Grid

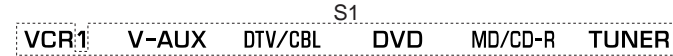
● GRID ASSIGNMENT



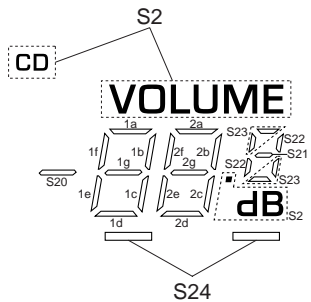
(17G~15G)



(1G~14G)



(16G)



(15G)

● ANODE CONNECTION

	17G	16G	15G	14G	13G~2G	1G
P1	dts	EDN	SLEEP	1-1	1-1	1-1
P2	ES	CT	MEMORY	2-1	2-1	2-1
P3	MATRIX	RT	MUTE	3-1	3-1	3-1
P4	DISCRETE	PTY	S20	4-1	4-1	4-1
P5	96/24	PS	1a	5-1	5-1	5-1
P6	DD DIGITAL	PTY HOLD	1b	1-2	1-2	1-2
P7	DD EX	XM	1c	2-2	2-2	2-2
P8	DD PL	S14	1d	3-2	3-2	3-2
P9	DD PLI	S15	1e	4-2	4-2	4-2
P10	DD PLIX	S16	1f	5-2	5-2	5-2
P11	AAC	S17	1g	1-3	1-3	1-3
P12	PCM	S18	2a	2-3	2-3	2-3
P13	STANDARD	SILENT CINEMA	2b	3-3	3-3	3-3
P14	CSI	S13	2c	4-3	4-3	4-3
P15	VIRTUAL	SP	2d	5-3	5-3	5-3
P16	DVR/VCR2	A	2e	1-4	1-4	1-4
P17	S3	B	2f	2-4	2-4	2-4
P18	-	ZONE2	2g	3-4	3-4	3-4
P19	-	NIGHT	S2	4-4	4-4	4-4
P20	-	HiFi DSP	S10	5-4	5-4	5-4
P21	-	S19	S11	1-5	1-5	1-5
P22	-	YPAO	PHONO	2-5	2-5	2-5
P23	-	HD	S21	3-5	3-5	3-5
P24	-	AUTO	S22	4-5	4-5	4-5
P25	-	TUNED	S23	5-5	5-5	5-5
P26	-	STEREO	ft	1-6	1-6	1-6
P27	-	S4	S24	2-6	2-6	2-6
P28	-	S5	96/24	3-6	3-6	3-6
P29	-	S6	DUAL	4-6	4-6	4-6
P30	-	S7	LFE	5-6	5-6	5-6
P31	-	S8	L	1-7	1-7	1-7
P32	-	S9	C	2-7	2-7	2-7
P33	-	-	R	3-7	3-7	3-7
P34	-	S1	SL	4-7	4-7	4-7
P35	-	-	SB	5-7	5-7	5-7
P36	-	-	SR	ms	-	S12
P37	-	-	S25	dB	-	-

1 ■ PRINTED CIRCUIT BOARD (Foil side)

Circuit No.	RX-V557/HTR-5850/DSP-AX557					RX-V457/HTR-5840/DSP-AX457								
	J	R	T	K	A, B, G, E, L	U	C	J	U	C	R	T	K	A, B, G, E, L
C11	X							X						
C12	X							X						
C16	X							X						
C20	X							X						
C222	X							X						
C3	X							X						
C6, 7	X							X						
IC1	X							X						
IC3	X							X						
IC7	X							X						
L10	X							X						
L11	X							X						
L2	X							X						
L9	X							X						
PJ1	X							X						
R1														
R27														
R3														
R35														
R48														
R51														
R64														
R65														
R7														
R8, 9														
U1														
U2														

X : NOT USED / O : USED

• Semiconductor Location

Ref. No.	Location
D3	I5
D8	B3
D9	E6
D10	E6
D11	E6
D12	E6
D13	C5
IC1	D3
IC2	B4
IC3	B3
IC5	C4
IC6	E4
IC7	B5
IC8	E3
IC9	C5
IC10	B4
IC11	B3
IC12	C4
IC13	E5
IC14	D5
IC16	D5
IC18	E6
IC19	C6
IC21	D6
IC22	B4
IC26	B4

2 DSP P.C.B. (Side A)

Lead Solder Used

DSP P.C.B. (Side B)

Lead Free Solder Used

3 SUBTRANS (2)
(CB457)

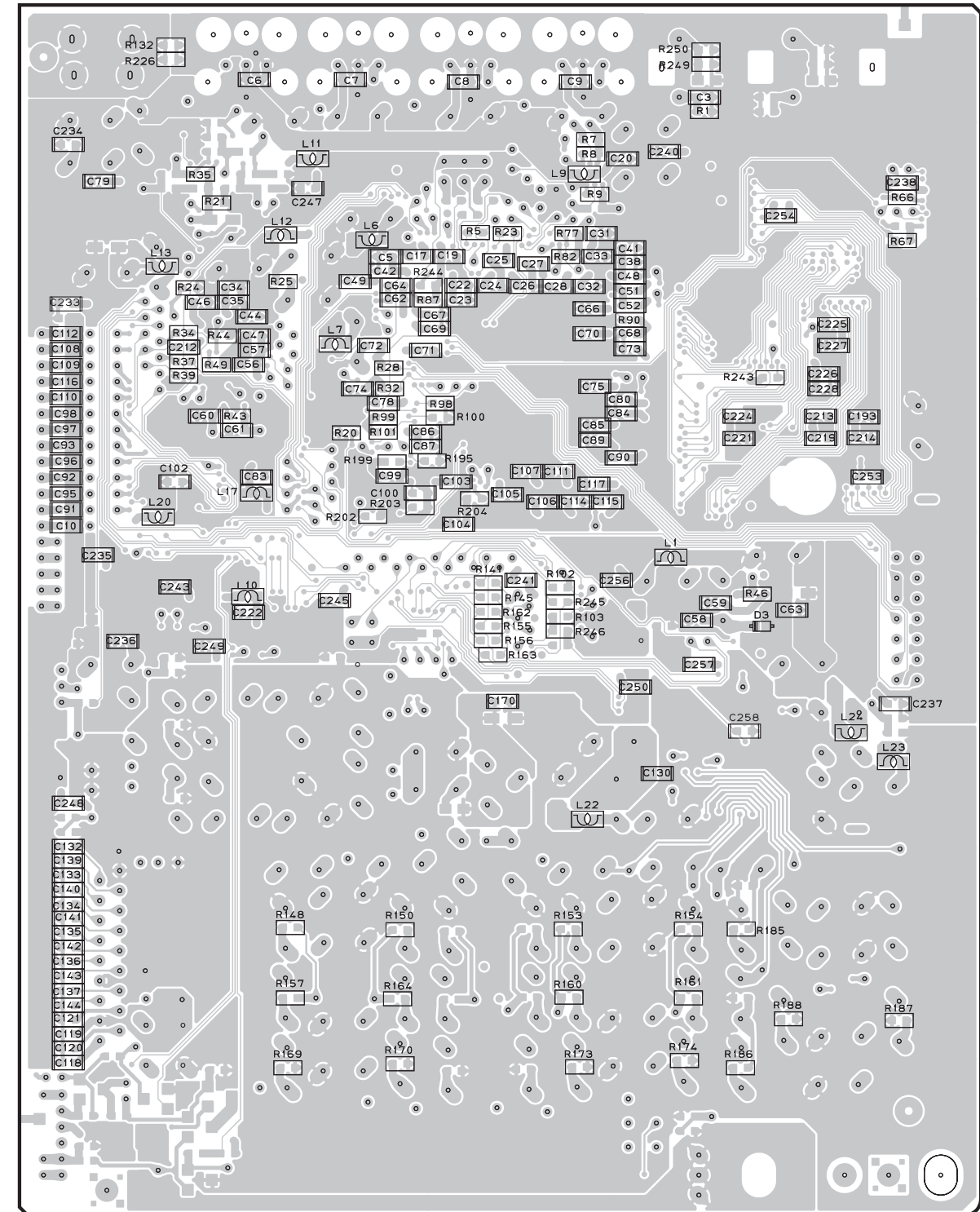
- /INTTI
- /INTDIR
- /SPIRDY
- /TIBUSY
- /ICTI
- /ICDIR
- SDM
- SDD
- SCK
- /CSDAC
- MUTETI
- /CSTI
- /CSDIR
- DG
- XMMCK
- XMWCK
- XMSCK
- XMSDD

4 FUNCTION
(W301)

- E
- E

- E
- L
- R
- C
- SW
- SBL
- SBR
- SR
- PL
- PR
- E
- ADL
- ADR
- +12
- 12
- +3.3D
- +5D

6 FUNCTION
(CB305)

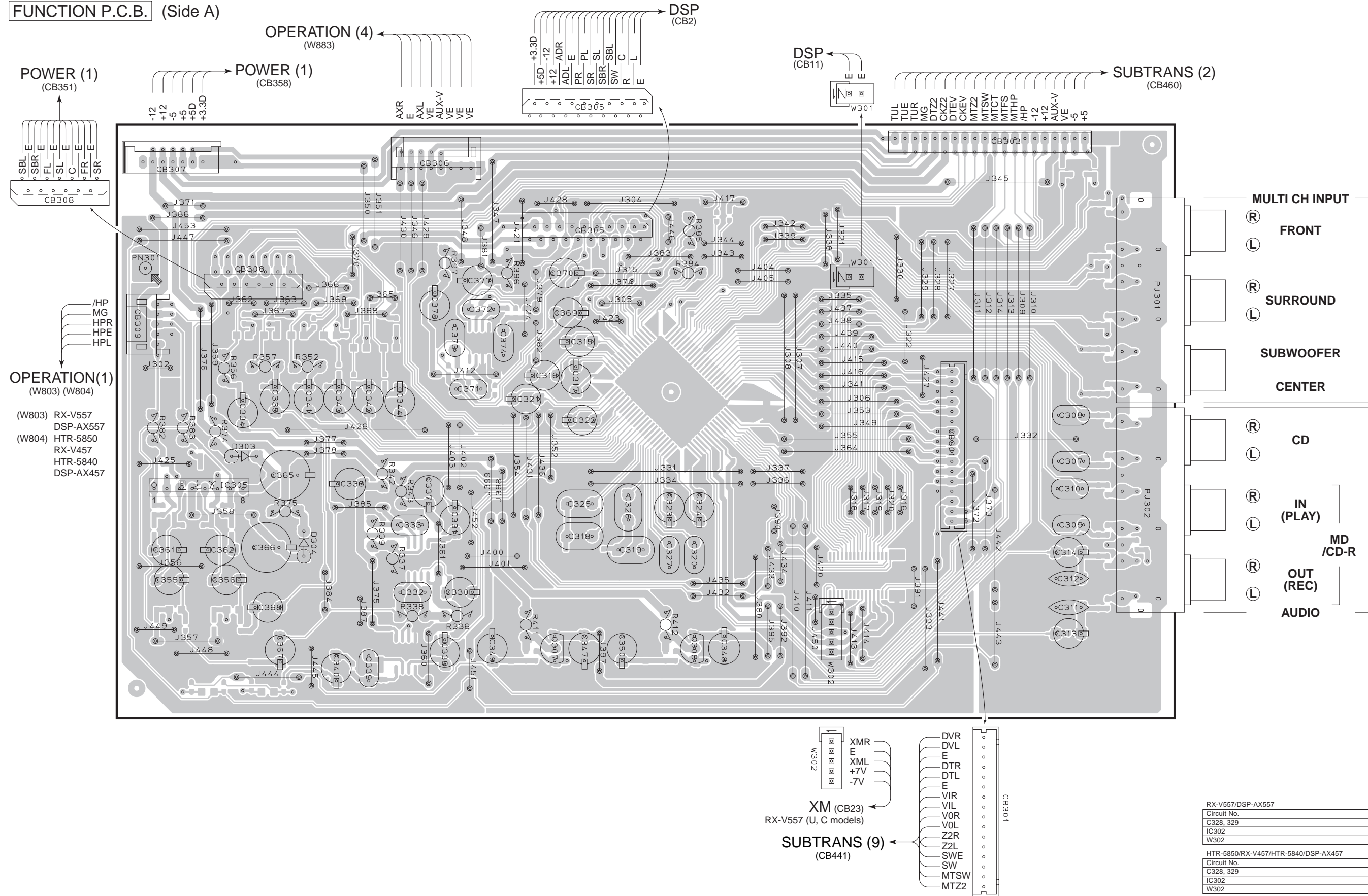


PRINTED CIRCUIT BOARD (Foil side)

FUNCTION P.C.B. (Side A)

Semiconductor Location

Ref. No.	Location
D303	B4
D304	C5
IC305	B5
Q307	D5
Q308	E5



POWER (1)
(CB351)

OPERATION (4)
(W883)

DSP
(CB2)

DSP
(CB11)

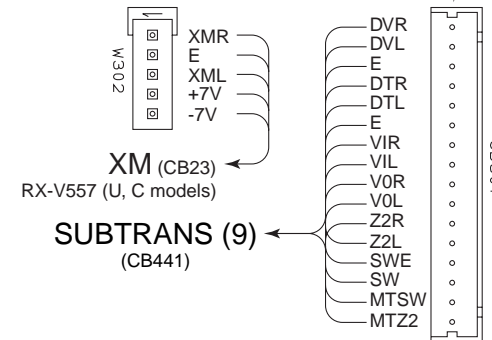
SUBTRANS (2)
(CB460)

/HP
MG
HPR
HPE
HPL

OPERATION (1)
(W803) (W804)

- (W803) RX-V557
- (W803) DSP-AX557
- (W804) HTR-5850
- (W804) RX-V457
- (W804) HTR-5840
- (W804) DSP-AX457

- MULTI CH INPUT
- FRONT
- SURROUND
- SUBWOOFER
- CENTER
- CD
- IN (PLAY)
- MD / CD-R
- OUT (REC)
- AUDIO



RX-V557/DSP-AX557		J	R	T	K	L	U	C	A	B	G	E
Circuit No.	C328, 329	X	X	X	X	X	X	X	X	X	X	X
IC302		X	X	X	X	X	X	X	X	X	X	X
W302		X	X	X	X	X	X	X	X	X	X	X

HTR-5850/RX-V457/HTR-5840/DSP-AX457		J	U	C	R	T	K	A	B	G	E	L
Circuit No.	C328, 329	X	X	X	X	X	X	X	X	X	X	X
IC302		X	X	X	X	X	X	X	X	X	X	X
W302		X	X	X	X	X	X	X	X	X	X	X

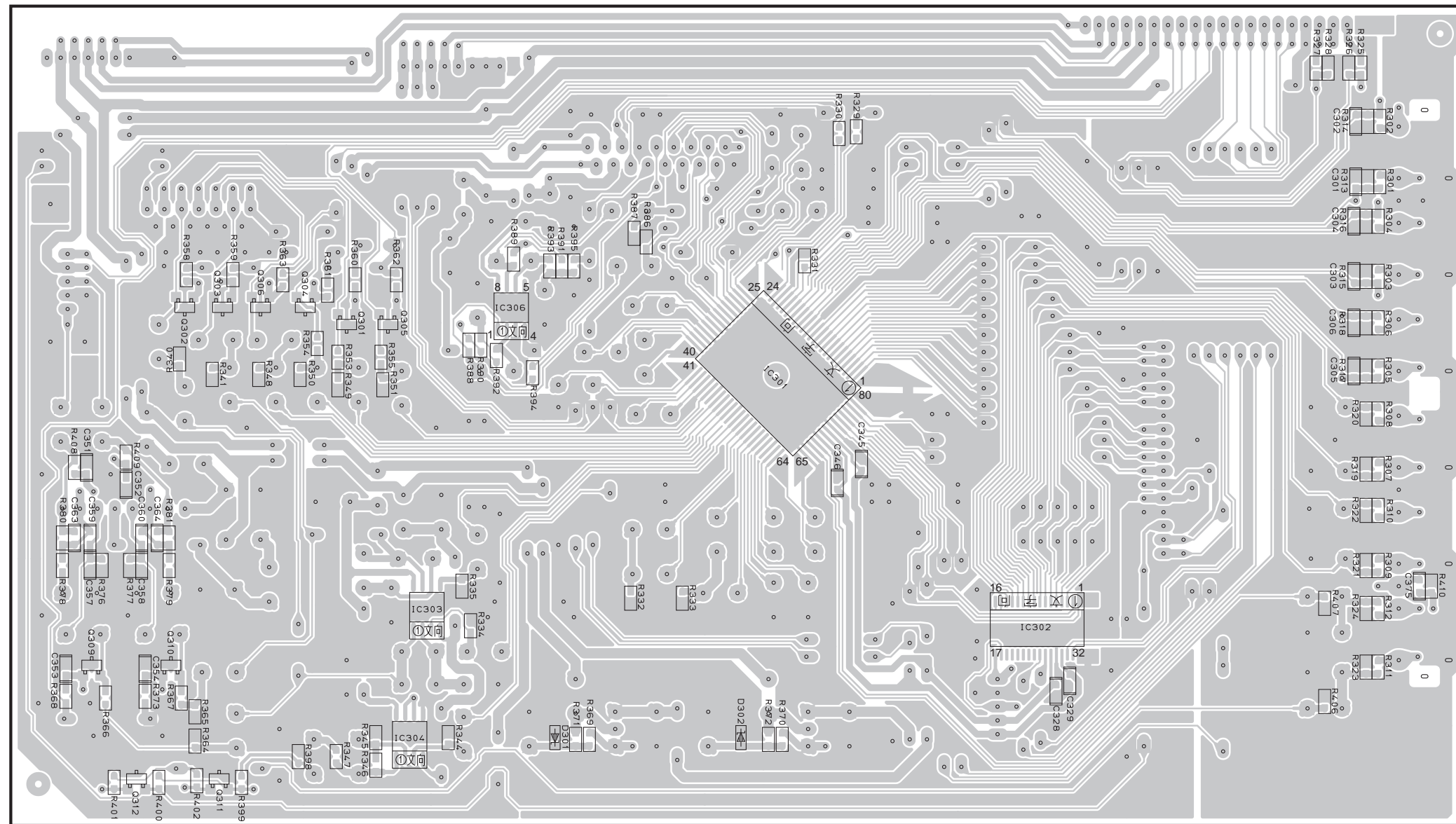
X : NOT USED / O : USED

1 ■ PRINTED CIRCUIT BOARD (Foil side)

FUNCTION P.C.B. (Side B) Lead Free Solder Used

• Semiconductor Location

Ref. No.	Location
D301	D6
D302	E6
IC301	E4
IC302	F5
IC303	C5
IC304	C6
IC306	D4
Q301	C4
Q302	B4
Q303	B4
Q304	C4
Q305	C4
Q306	C4
Q309	B5
Q310	B5
Q311	B6
Q312	B6



5

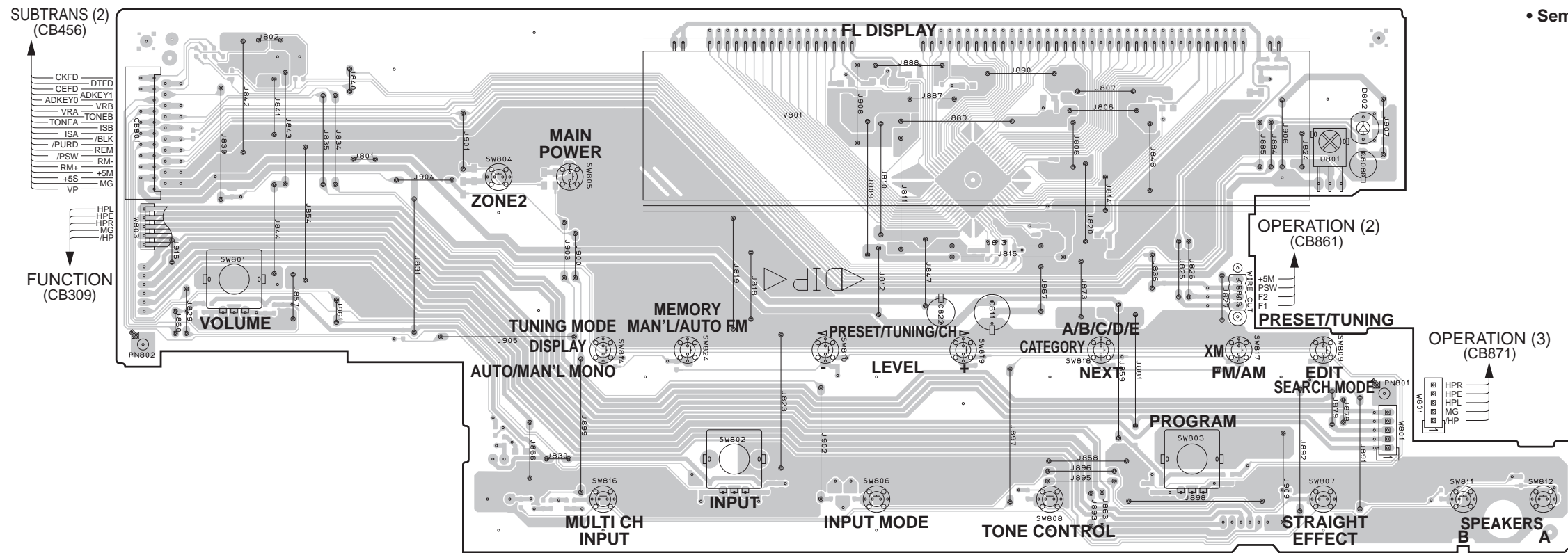
6

7

PRINTED CIRCUIT BOARD (Foil side) RX-V557/DSP-AX557

OPERATION (1) P.C.B.

(Side A)

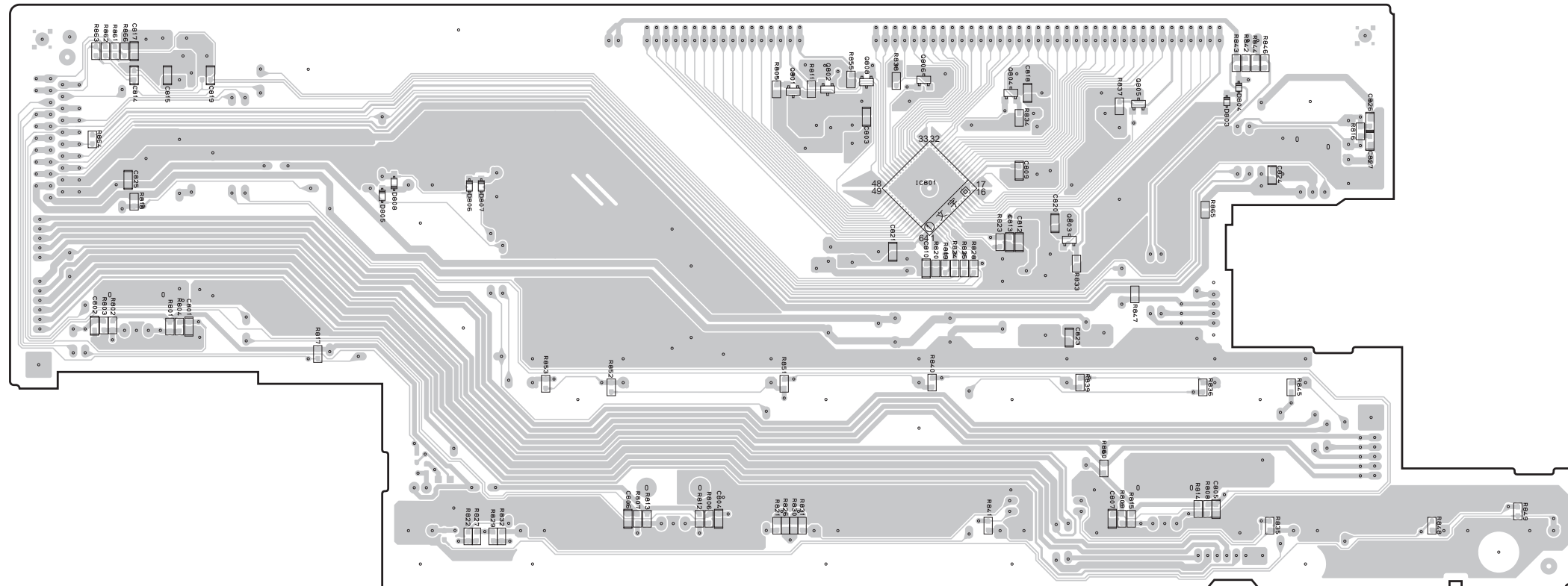


• Semiconductor Location

Ref. No.	Location
D802	I2
D803	H5
D804	H5
D805	D5
D806	E5
D807	E5
D808	D5
IC801	G5
Q801	F5
Q802	F5
Q803	G5
Q804	G5
Q805	H5
Q806	G5
Q808	F5

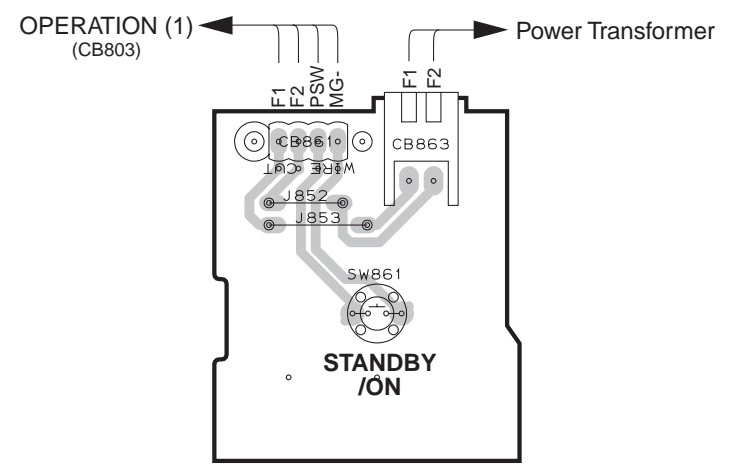
OPERATION (1) P.C.B. (Side B)

Lead Free Solder Used

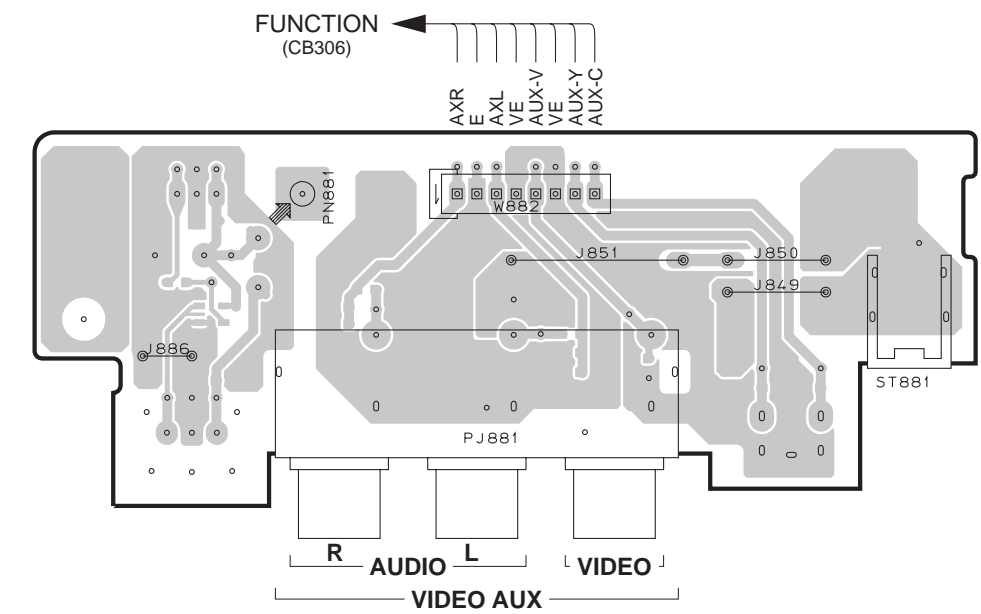


PRINTED CIRCUIT BOARD (Foil side) RX-V557/DSP-AX557

OPERATION (2) P.C.B. (Side A)



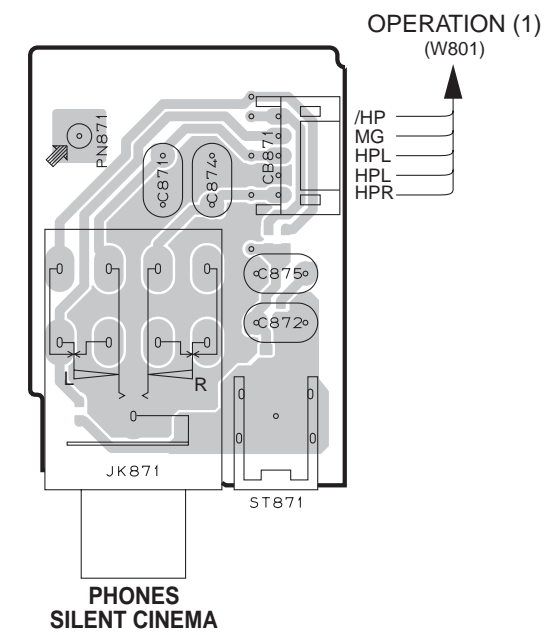
OPERATION (5) P.C.B. (Side A)



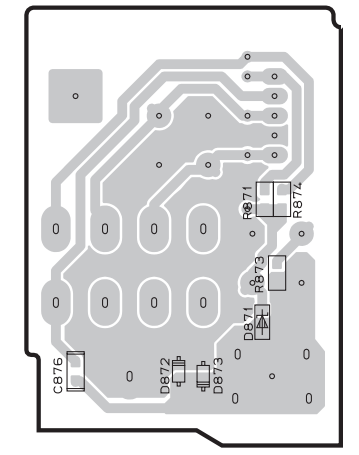
• Semiconductor Location

Ref. No.	Location
D871	D6
D872	D6
D873	D6
D881	I5
D882	I5
D883	H5
D884	H5

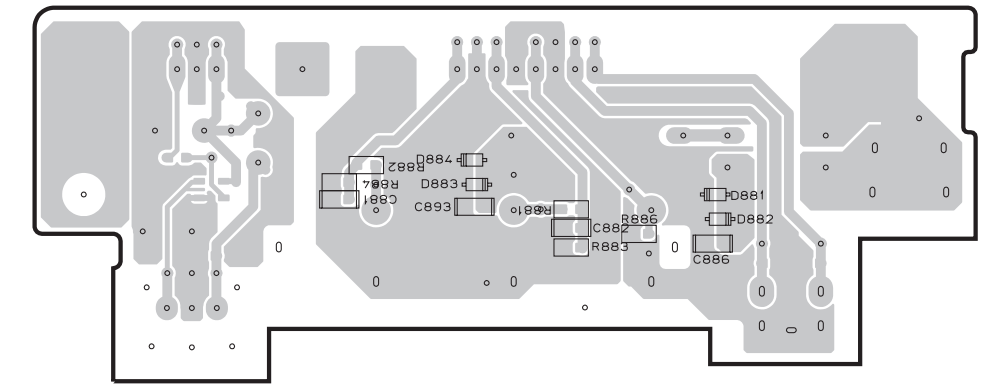
OPERATION (3) P.C.B. (Side A)



OPERATION (3) P.C.B. (Side B)
Lead Free Solder Used

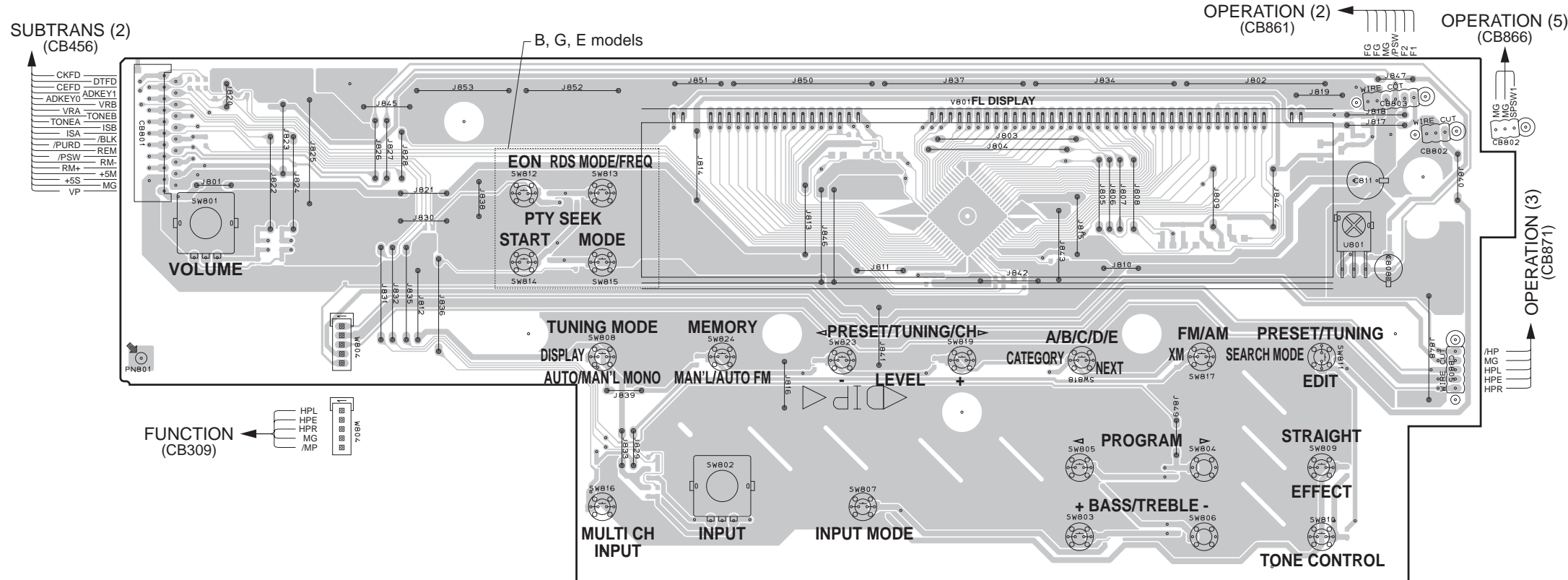


OPERATION (5) P.C.B. (Side B) Lead Free Solder Used



PRINTED CIRCUIT BOARD (Foil side) HTR-5850 RX-V457/HTR-5840/DSP-AX457

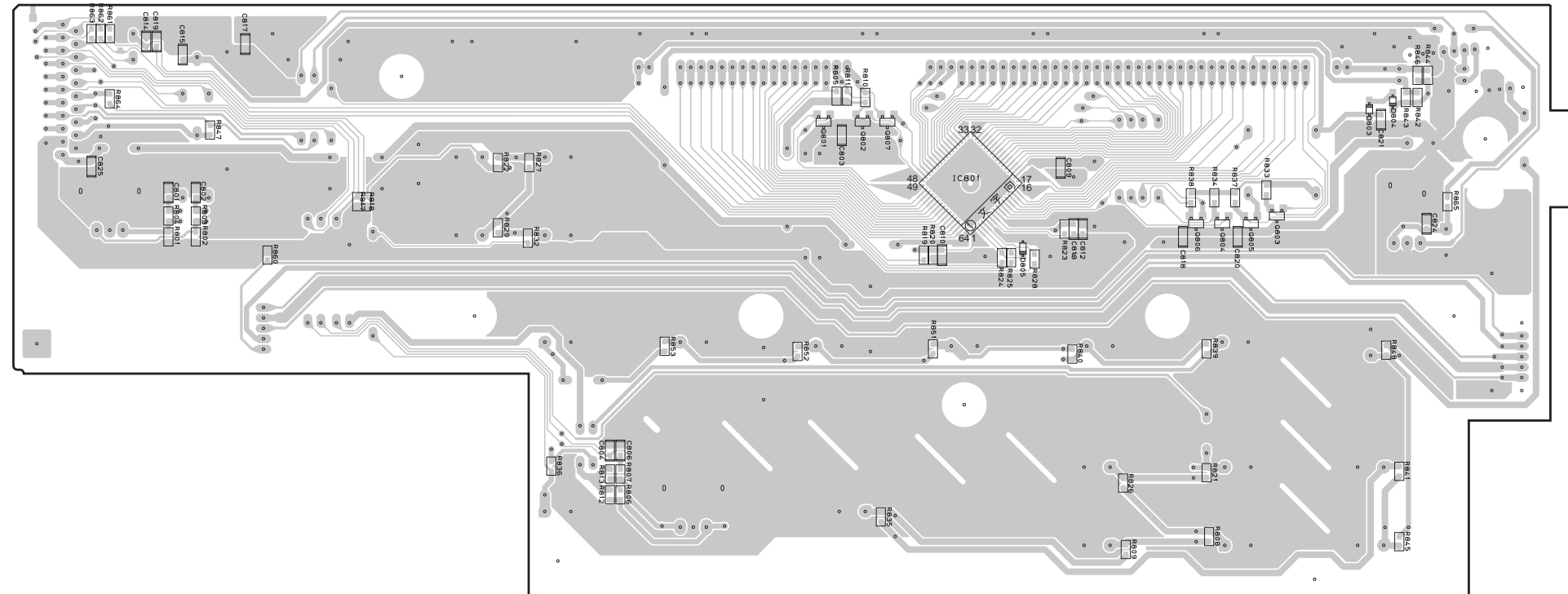
OPERATION (1) P.C.B.
 (Side A)



• Semiconductor Location

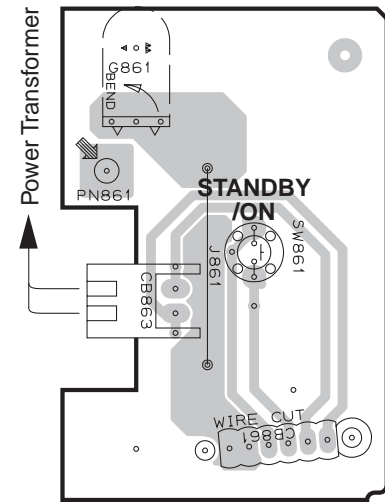
Ref. No.	Location
D803	H5
D804	H5
D805	G5
IC801	F5
Q801	F5
Q802	F5
Q803	H5
Q804	H5
Q805	H5
Q806	G5
Q807	F5

OPERATION (1) P.C.B. (Side B)
 Lead Free Solder Used



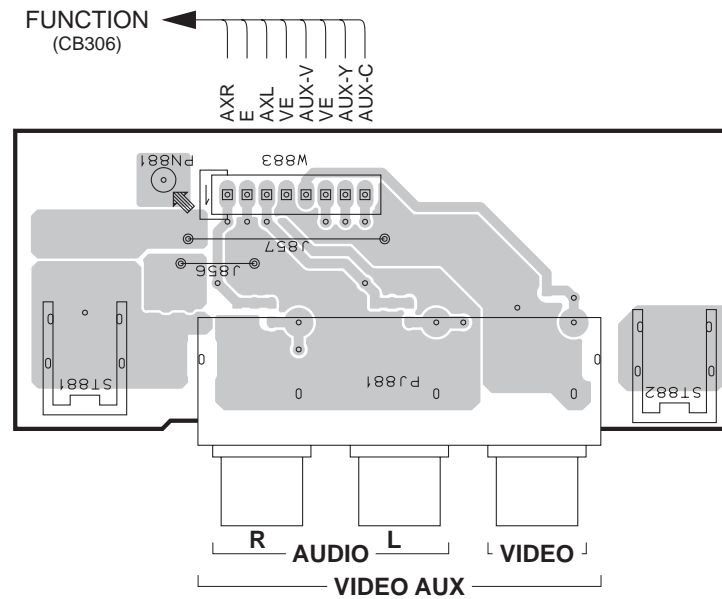
PRINTED CIRCUIT BOARD (Foil side) HTR-5850 RX-V457/HTR-5840/DSP-AX457

OPERATION (2) P.C.B. (Side A)

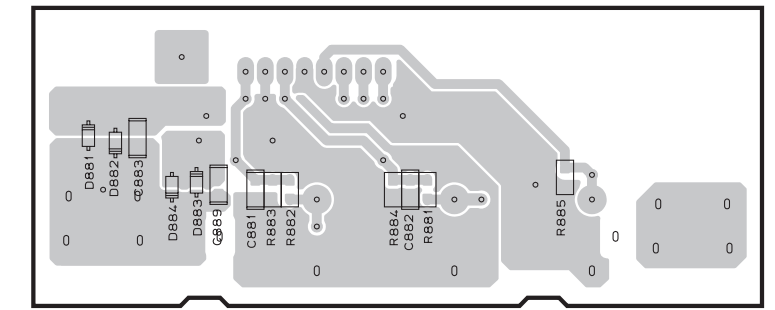


OPERATION(1)
(CB803)

OPERATION (4) P.C.B. (Side A)

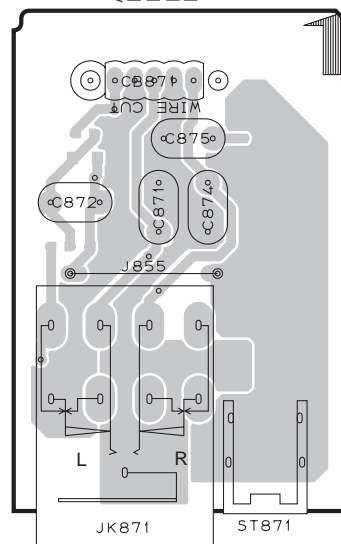


OPERATION (4) P.C.B. (Side B)
Lead Free Solder Used

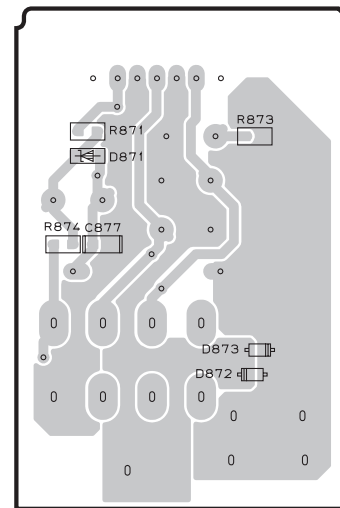


OPERATION (3) P.C.B. (Side A)

OPERATION(1)
(W805)

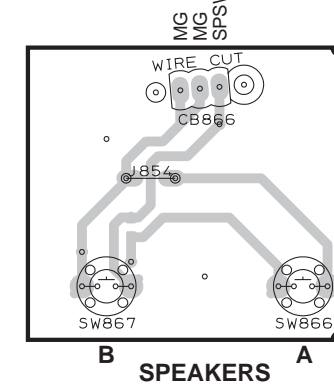


OPERATION (3) P.C.B. (Side B)
Lead Free Solder Used

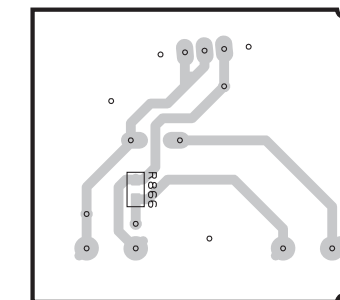


OPERATION (5) P.C.B. (Side A)

OPERATION (1)
(CB802)



OPERATION (5) P.C.B. (Side B)
Lead Free Solder Used

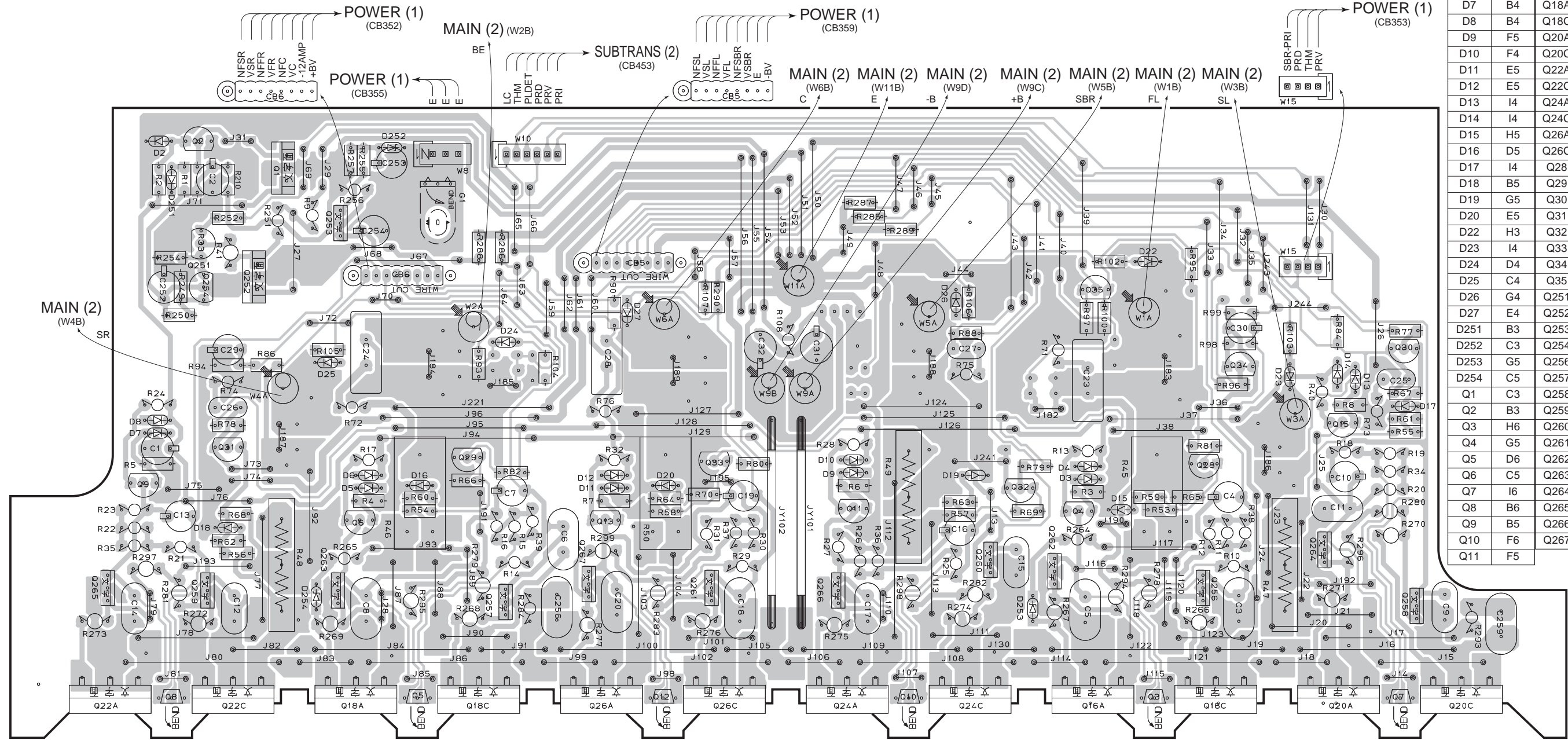


• Semiconductor Location

Ref. No.	Location
D871	D5
D872	D6
D873	D6
D881	H3
D882	H3
D883	I3
D884	H3

PRINTED CIRCUIT BOARD (Foil side) Lead Free Solder Used

MAIN (1) P.C.B. (Side A)



• Semiconductor Location

Ref. No.	Location	Ref. No.	Location
D2	B3	Q12	E6
D3	G5	Q13	E5
D4	G5	Q15	I4
D5	C5	Q16A	G6
D6	C5	Q16C	H6
D7	B4	Q18A	C6
D8	B4	Q18C	D6
D9	F5	Q20A	I6
D10	F4	Q20C	I6
D11	E5	Q22A	B6
D12	E5	Q22C	B6
D13	I4	Q24A	F6
D14	I4	Q24C	G6
D15	H5	Q26A	E6
D16	D5	Q26C	E6
D17	I4	Q28	H5
D18	B5	Q29	D4
D19	G5	Q30	I4
D20	E5	Q31	B4
D22	H3	Q32	G5
D23	I4	Q33	E4
D24	D4	Q34	H4
D25	C4	Q35	G4
D26	G4	Q251	B3
D27	E4	Q252	C3
D251	B3	Q253	C3
D252	C3	Q254	B3
D253	G5	Q256	H5
D254	C5	Q257	D5
Q1	C3	Q258	I5
Q2	B3	Q259	B5
Q3	H6	Q260	G5
Q4	G5	Q261	E5
Q5	D6	Q262	G5
Q6	C5	Q263	C5
Q7	I6	Q264	I5
Q8	B6	Q265	B5
Q9	B5	Q266	F5
Q10	F6	Q267	D5
Q11	F5		

Circuit No.	J, U, C, R, T, A	K, B, G, L, E
C130, 131, 134-141	X	O
TE120, 121	X	O

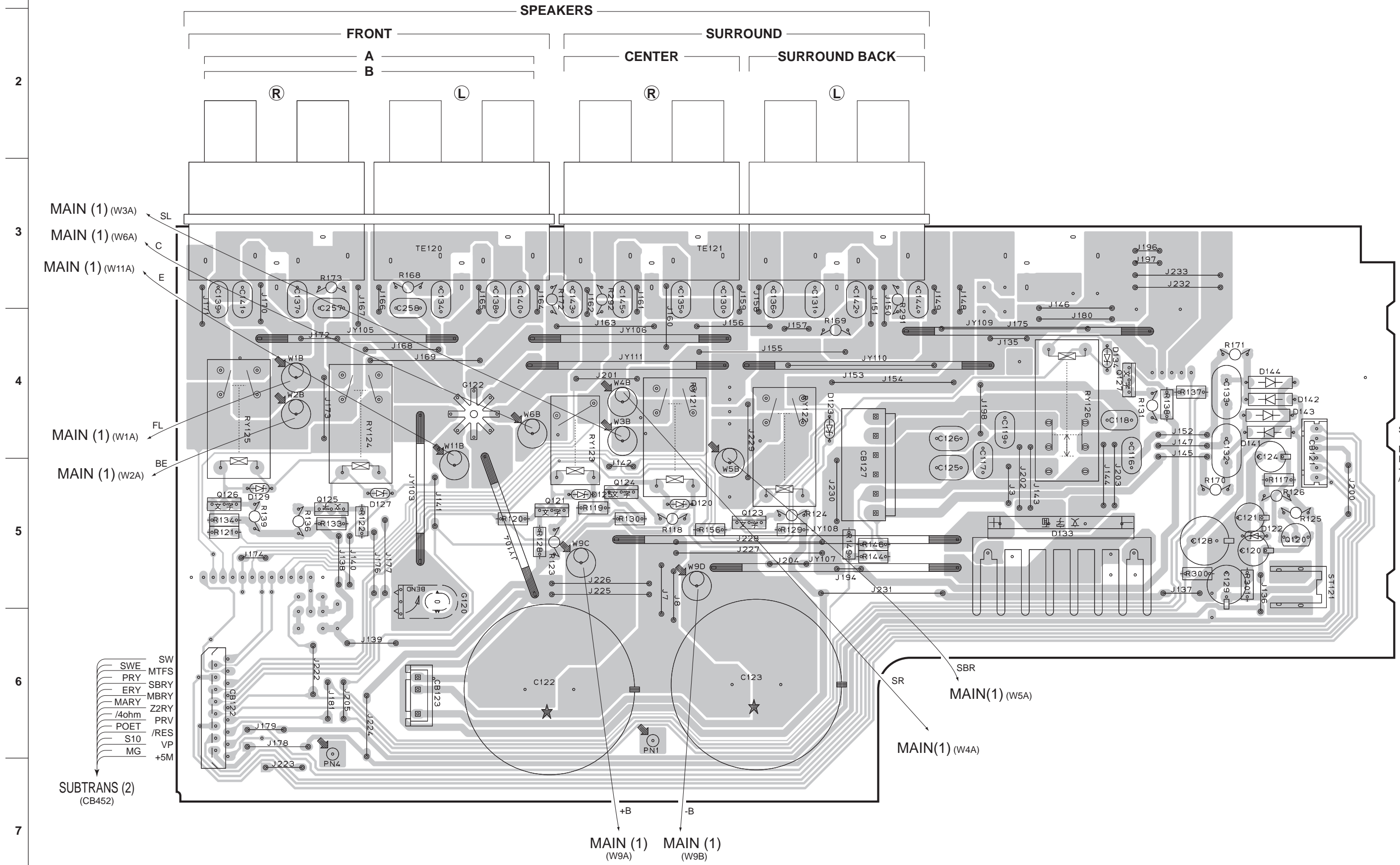
X: NOT USED / O: USED

1 ■ PRINTED CIRCUIT BOARD (Foil side) Lead Free Solder Used

MAIN (2) P.C.B. (Side A)

• Semiconductor Location

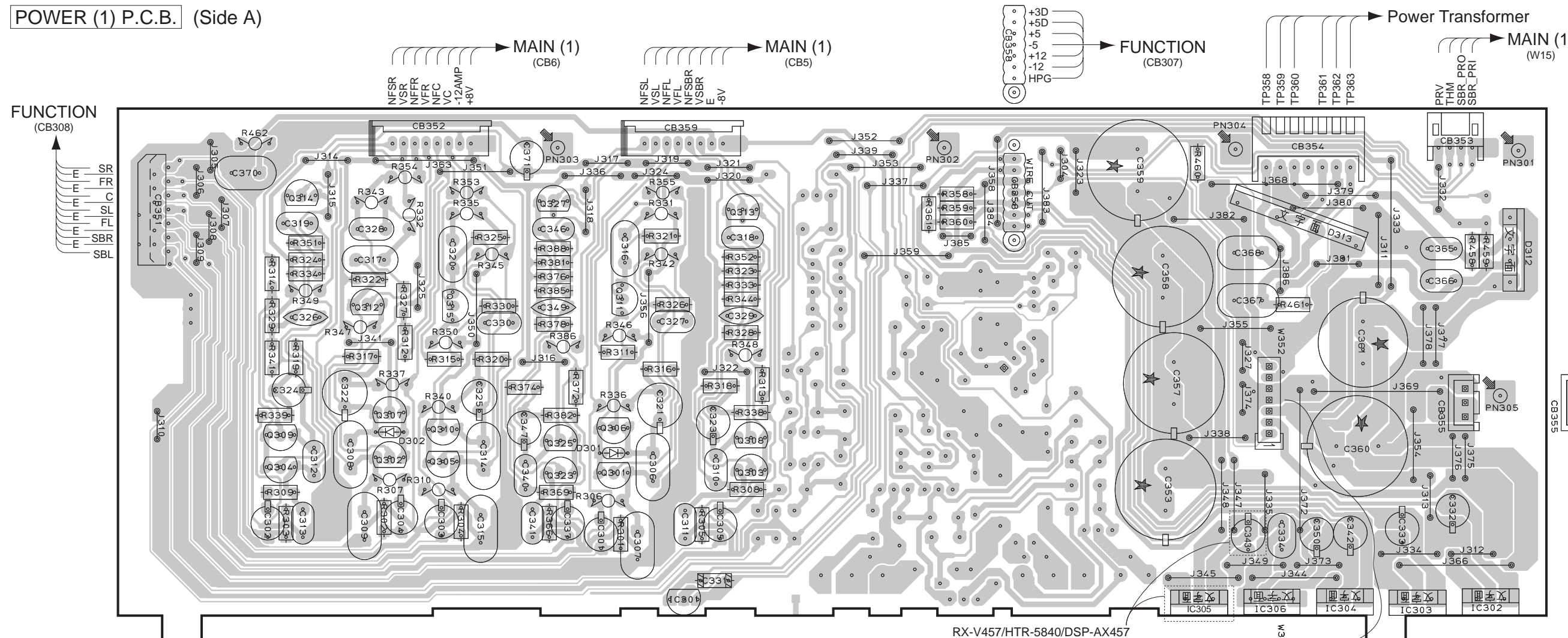
Ref. No.	Location
D120	E5
D122	I5
D123	F4
D125	D5
D127	C5
D129	B5
D133	G5
D134	H4
D141	I4
D142	I4
D143	I4
D144	I4
Q120	I5
Q121	D5
Q123	E5
Q124	E5
Q125	C5
Q126	B5
Q127	H4



S10
PRY
MG
PDET
+5M
/RES
SUBTRANS (1)
(CB401)

PRINTED CIRCUIT BOARD (Foil side) Lead Free Solder Used

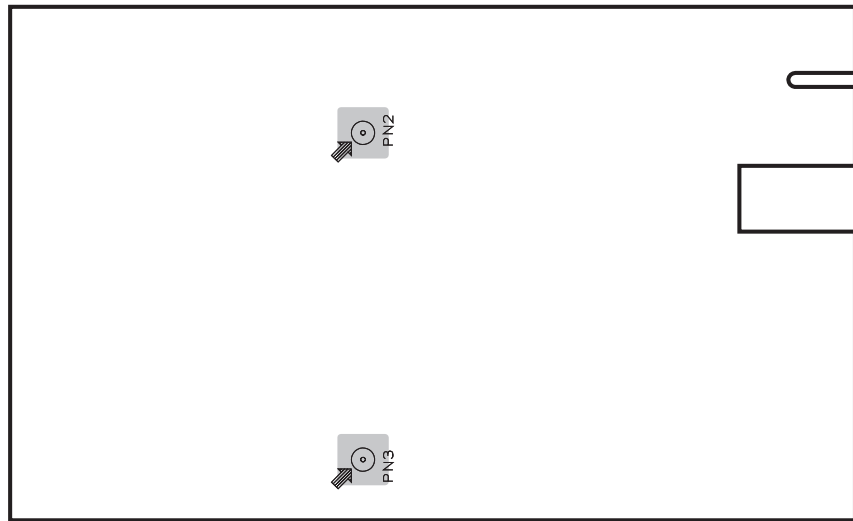
POWER (1) P.C.B. (Side A)



Semiconductor Location

Ref. No.	Location
D301	D4
D302	C4
D312	J3
D313	H3
IC301	E5
IC302	I5
IC303	I5
IC304	H5
IC305	G5
IC306	H5
Q301	D4
Q302	C4
Q303	E4
Q304	B4
Q305	C4
Q306	D4
Q307	C4
Q308	E4
Q309	B4
Q310	C4
Q311	D3
Q312	C3
Q313	E3
Q314	B3
Q315	C3
Q323	D4
Q325	D4
Q327	D3

POWER (2) P.C.B. (Side A)

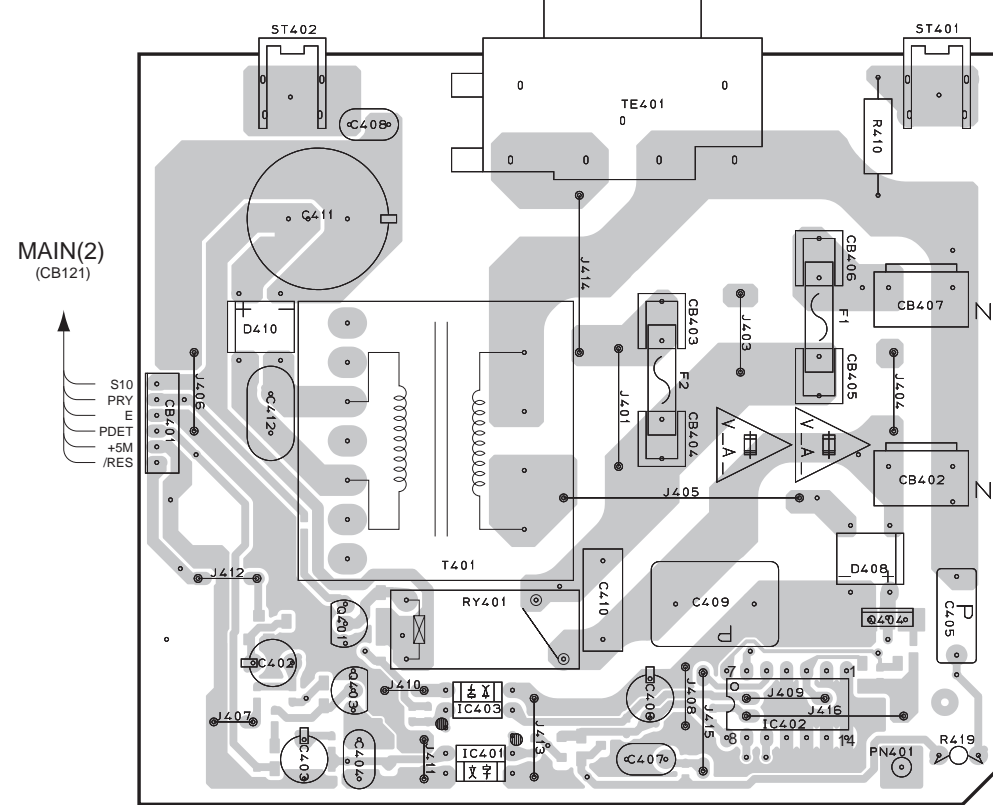


Circuit No.	RX-V557/HTR-5850/DSP-AX557	RX-V457/HTR-5840/DSP-AX457
C343	X	O
IC305	X	O
R362	X	O
W352	X	O

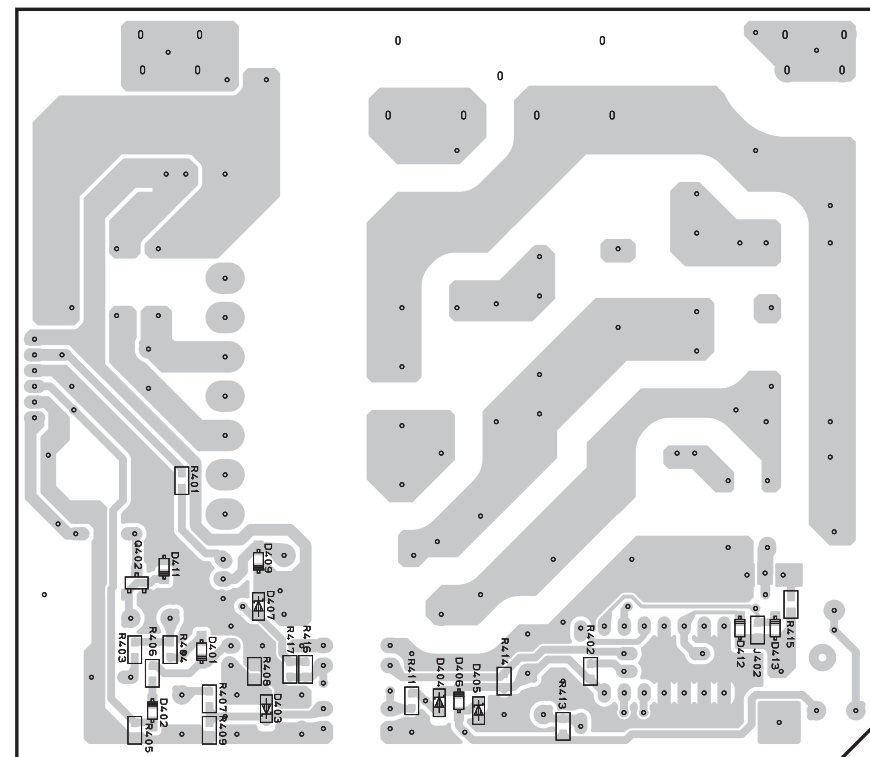
X : NOT USED / O : USED

PRINTED CIRCUIT BOARD (Foil side) **RX-V557/DSP-AX557**
HTR-5850 (T, K models)

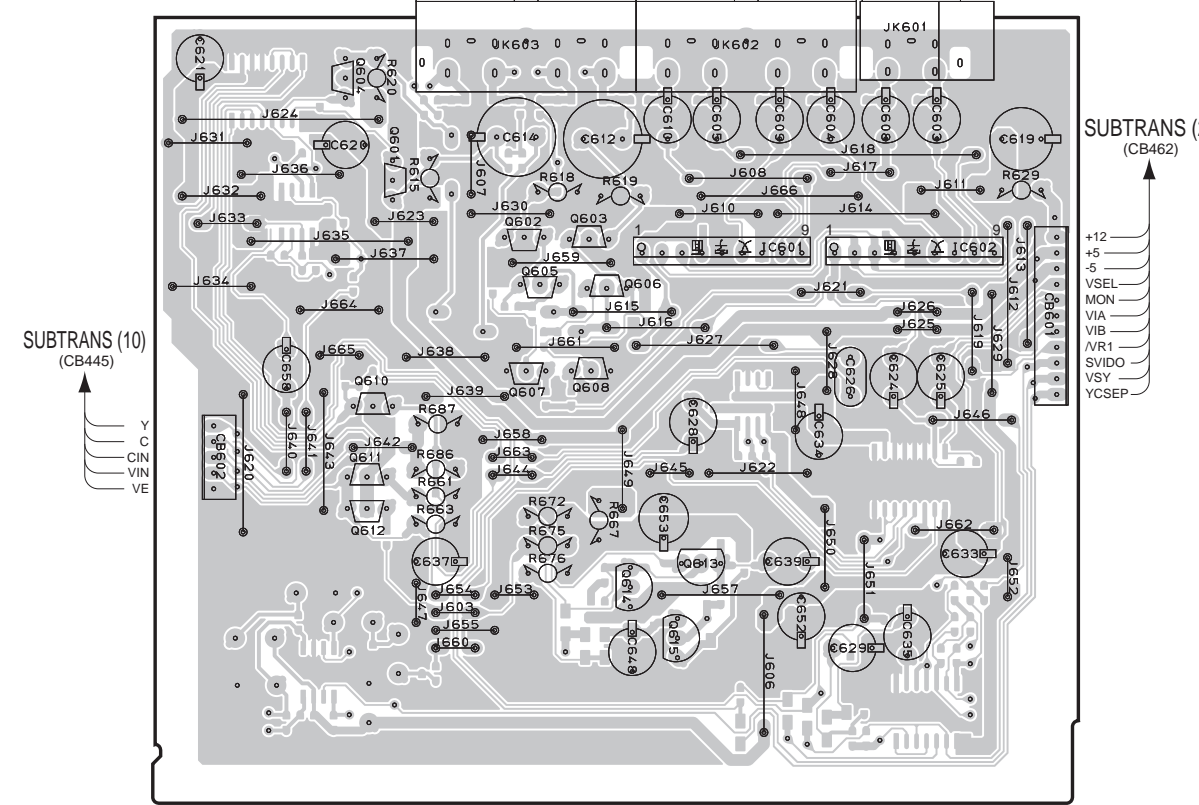
SUBTRANS (1) P.C.B. (Side A)



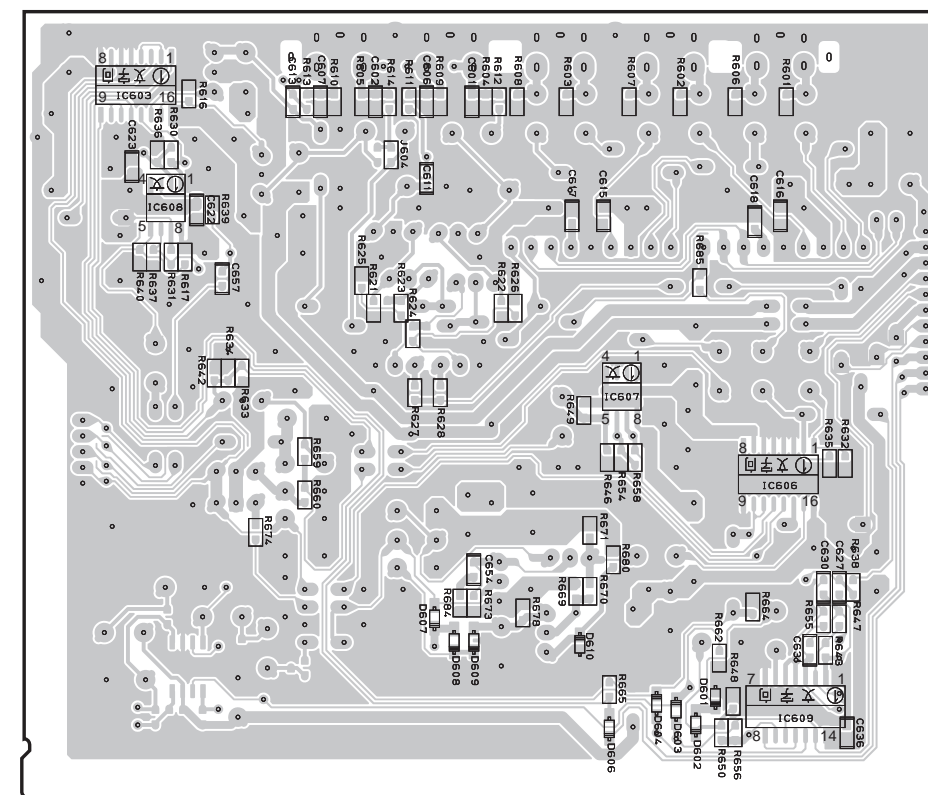
SUBTRANS (1) P.C.B. (Side B) Lead Free Solder Used



SUBTRANS (3) P.C.B. (Side A)



SUBTRANS (3) P.C.B. (Side B) Lead Free Solder Used

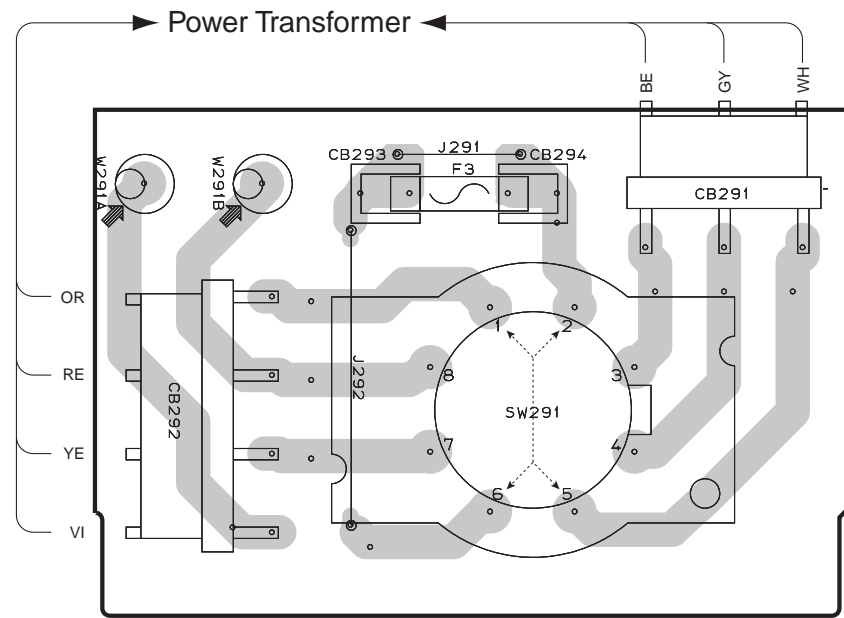


• Semiconductor Location

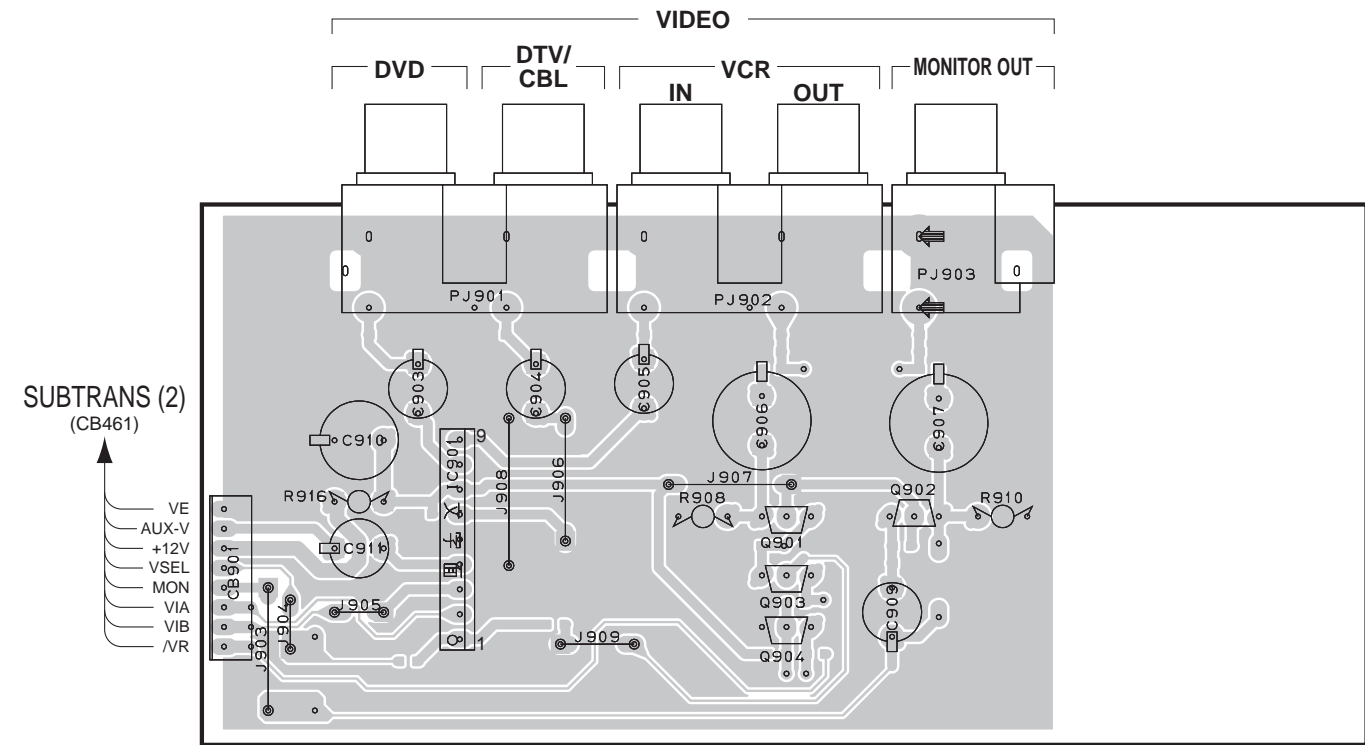
Ref. No.	Location
D401	B7
D402	B7
D403	B7
D404	C7
D405	C7
D406	C7
D407	B7
D408	C4
D409	B7
D410	B3
D411	B7
D412	D7
D413	D7
D601	H7
D602	H7
D603	H7
D604	H7
D606	H7
D607	G7
D608	G7
D609	G7
D610	H7
IC401	B4
IC402	C4
IC403	B4
IC601	G2
IC602	H2
IC603	F5
IC606	H6
IC607	H6
IC608	F5
IC609	H7
Q401	B4
Q402	B7
Q403	B4
Q404	D4
Q601	G2
Q602	G2
Q603	G2
Q604	F2
Q605	G3
Q606	G3
Q607	G3
Q608	G3
Q610	F3
Q611	F3
Q612	F3
Q613	H4
Q614	G4
Q615	G4

PRINTED CIRCUIT BOARD (Foil side) RX-V557/DSP-AX557

SUBTRANS (5) P.C.B. (Side A)
(R, L models)



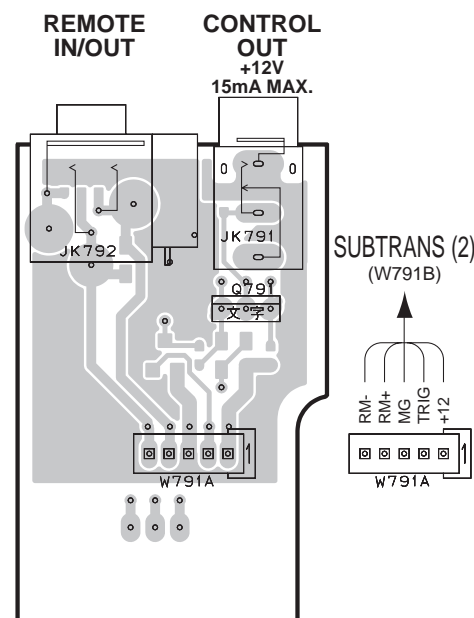
SUBTRANS (6) P.C.B. (Side A)



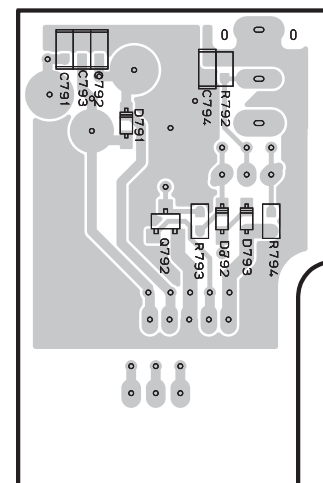
• Semiconductor Location

Ref. No.	Location
D791	C6
D792	D6
D793	D6
IC901	G3
Q791	B6
Q792	D6
Q901	H3
Q902	H3
Q903	H4
Q904	H4

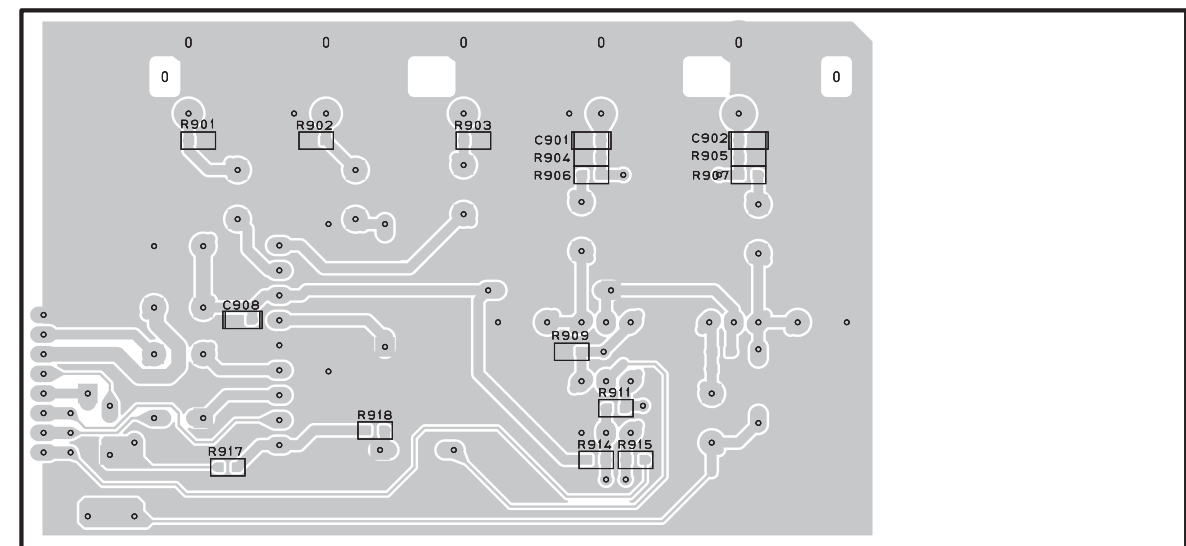
SUBTRANS (8) P.C.B. (Side A)
(U, C, A, B, G models)



SUBTRANS (8) P.C.B. (Side B)
Lead Free Solder Used
(U, C, A, B, G models)

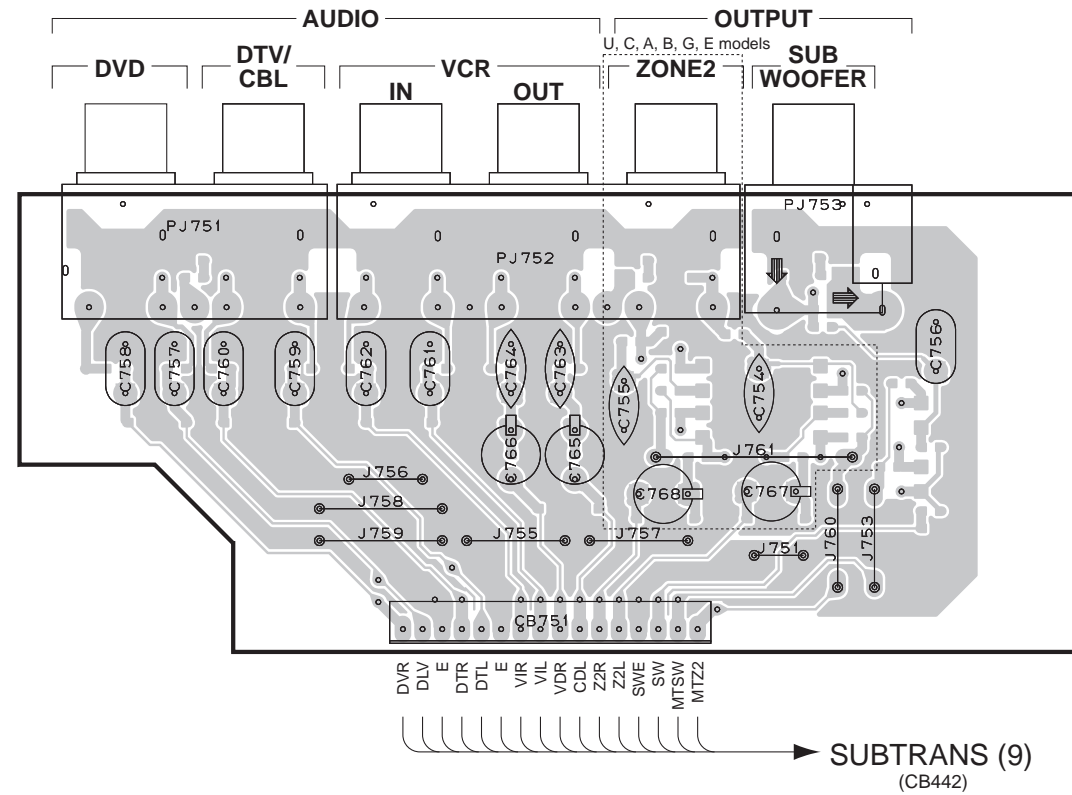


SUBTRANS (6) P.C.B. (Side B) Lead Free Solder Used

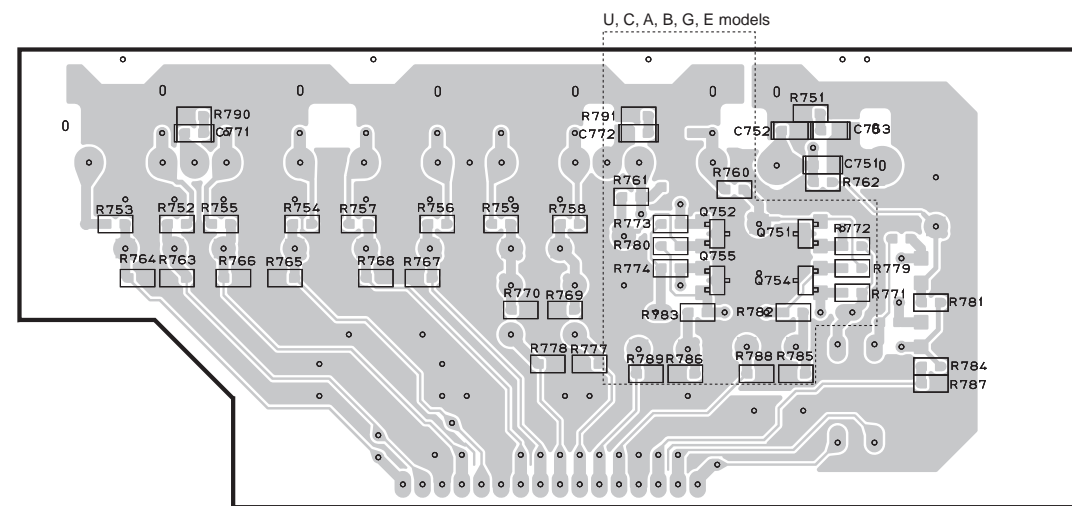


PRINTED CIRCUIT BOARD (Foil side) RX-V557/DSP-AX557

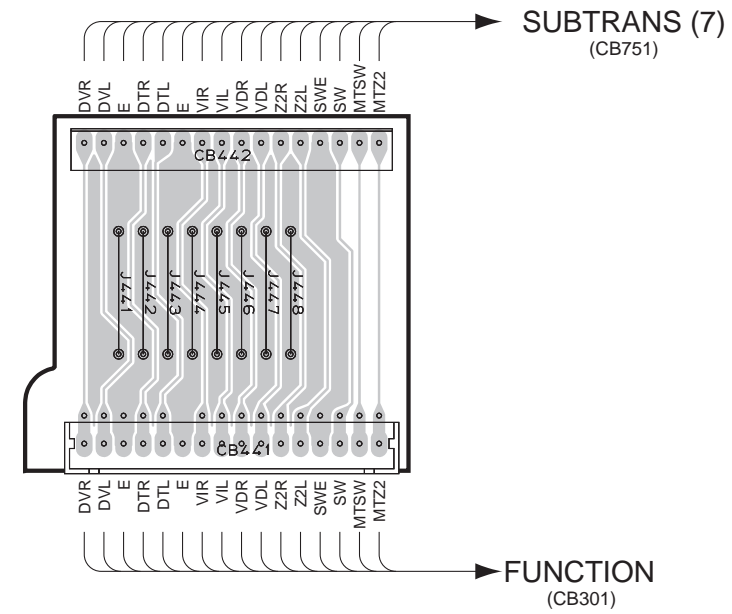
SUBTRANS (7) P.C.B. (Side A)



SUBTRANS (7) P.C.B. (Side B) Lead Free Solder Used



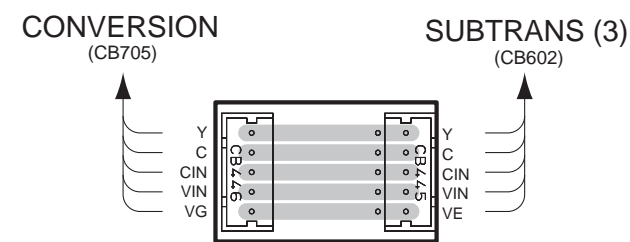
SUBTRANS (9) P.C.B. (Side A)



• Semiconductor Location

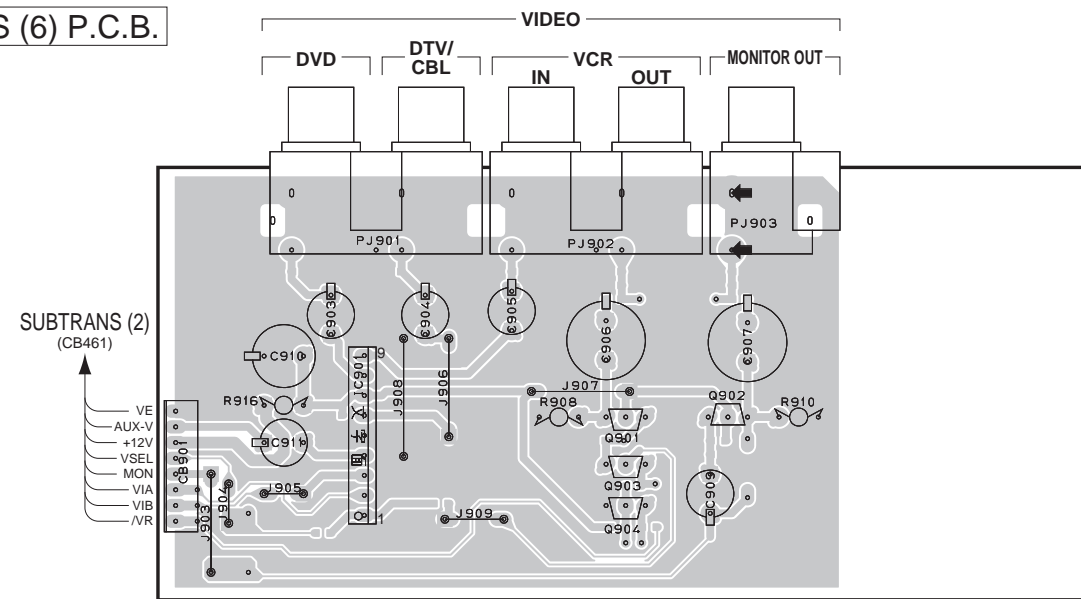
Ref. No.	Location
Q751	D6
Q752	D6
Q754	D6
Q755	D6

SUBTRANS (10) P.C.B. (Side A)

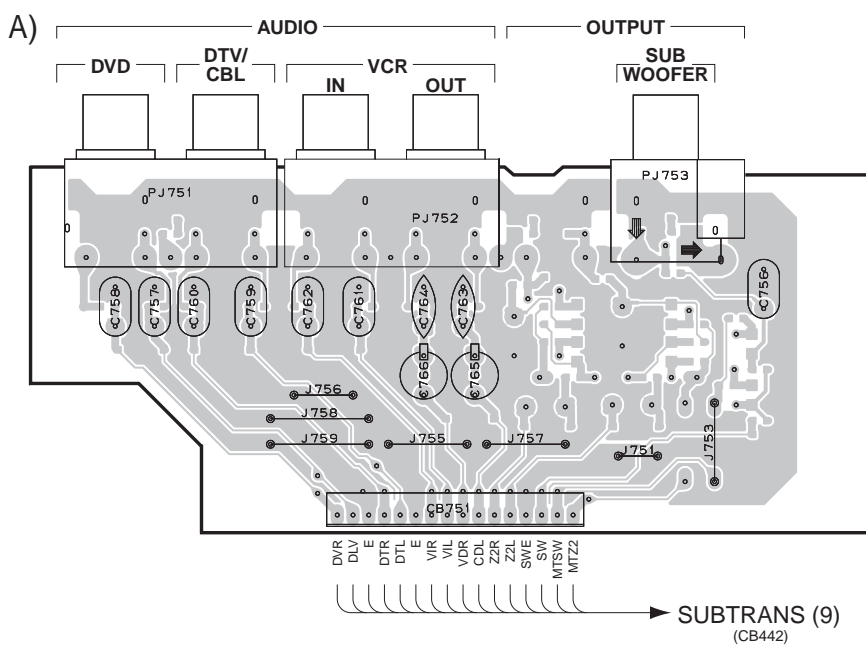


1 ■ PRINTED CIRCUIT BOARD (Foil side) HTR-5850

SUBTRANS (6) P.C.B.
(Side A)



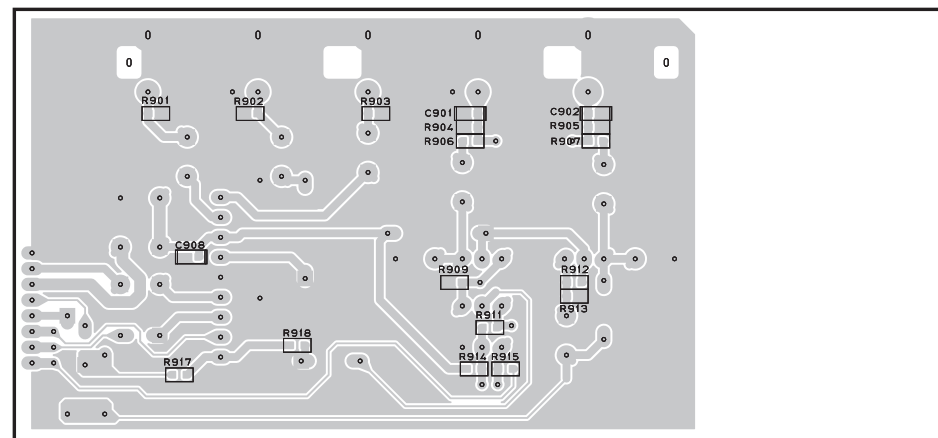
SUBTRANS (7) P.C.B. (Side A)



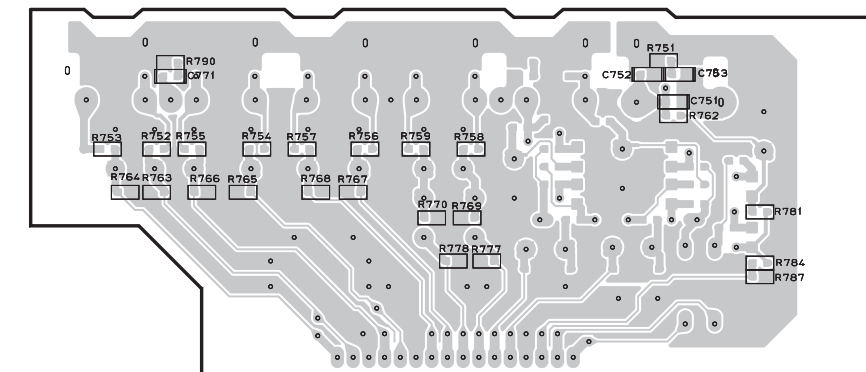
• Semiconductor Location

Ref. No.	Location
IC901	B3
Q901	C3
Q902	D3
Q903	C3
Q904	C3

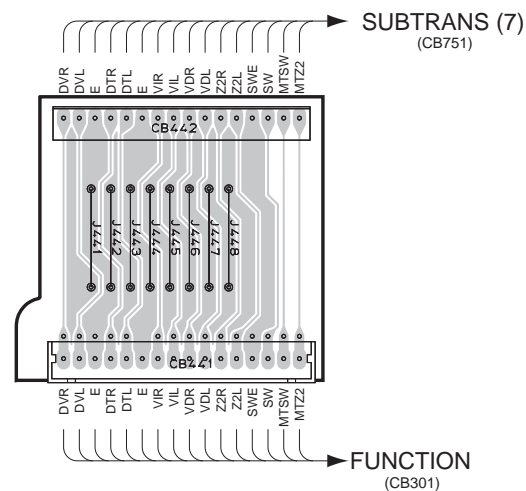
SUBTRANS (6) P.C.B. (Side B) Lead Free Solder Used



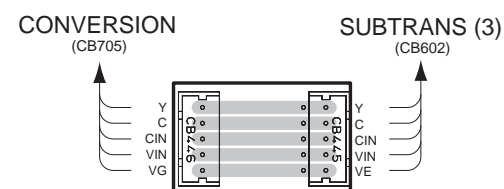
SUBTRANS (7) P.C.B. (Side B) Lead Free Solder Used



SUBTRANS (9) P.C.B.
(Side A)



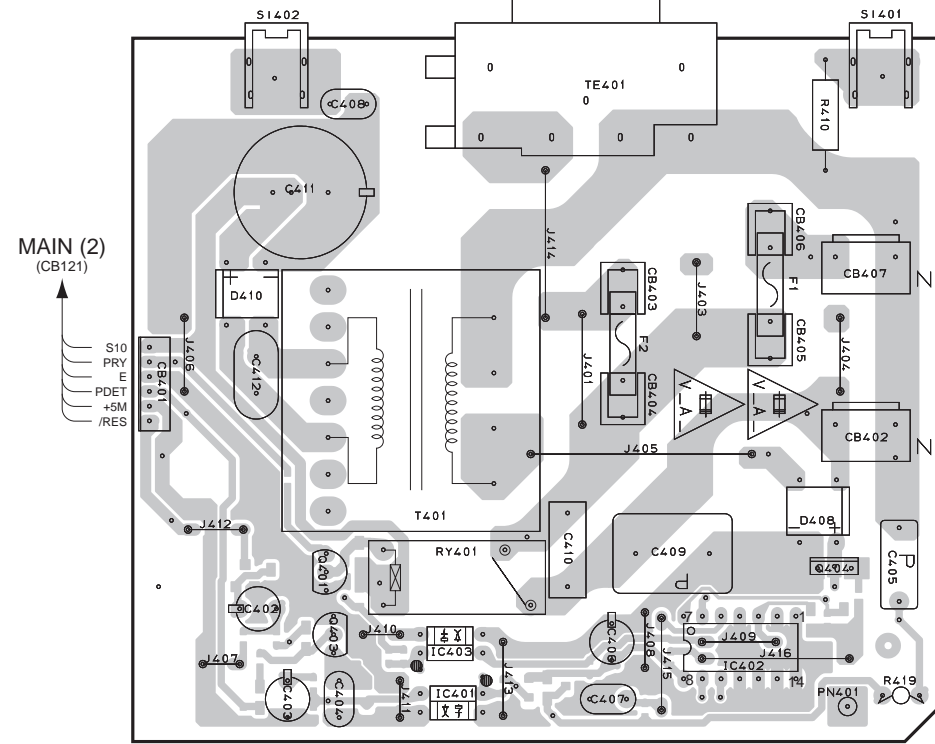
SUBTRANS (10) P.C.B. (Side A)



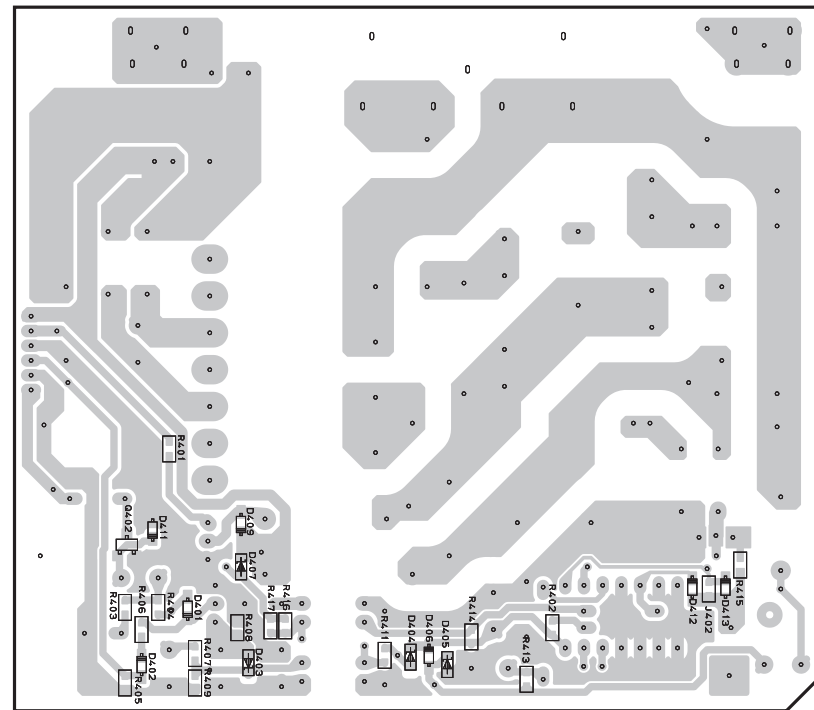
PRINTED CIRCUIT BOARD (Foil side)

RX-V457/HTR-5840/DSP-AX457

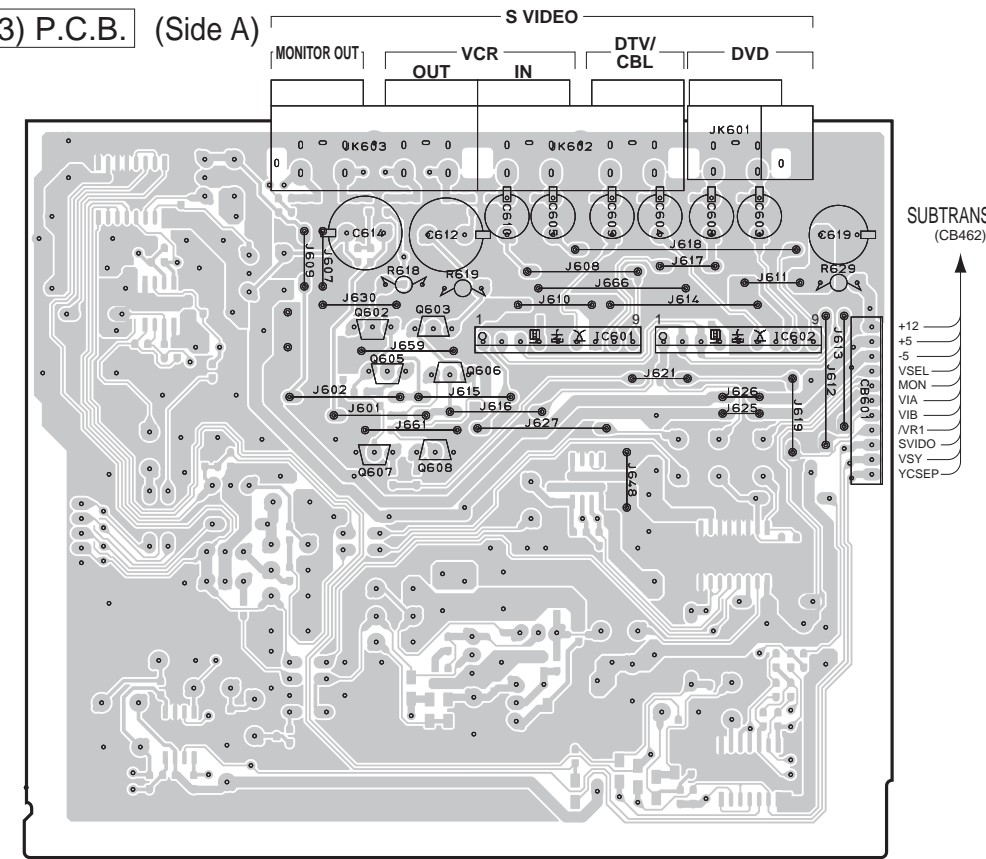
SUBTRANS (1) P.C.B. (Side A)



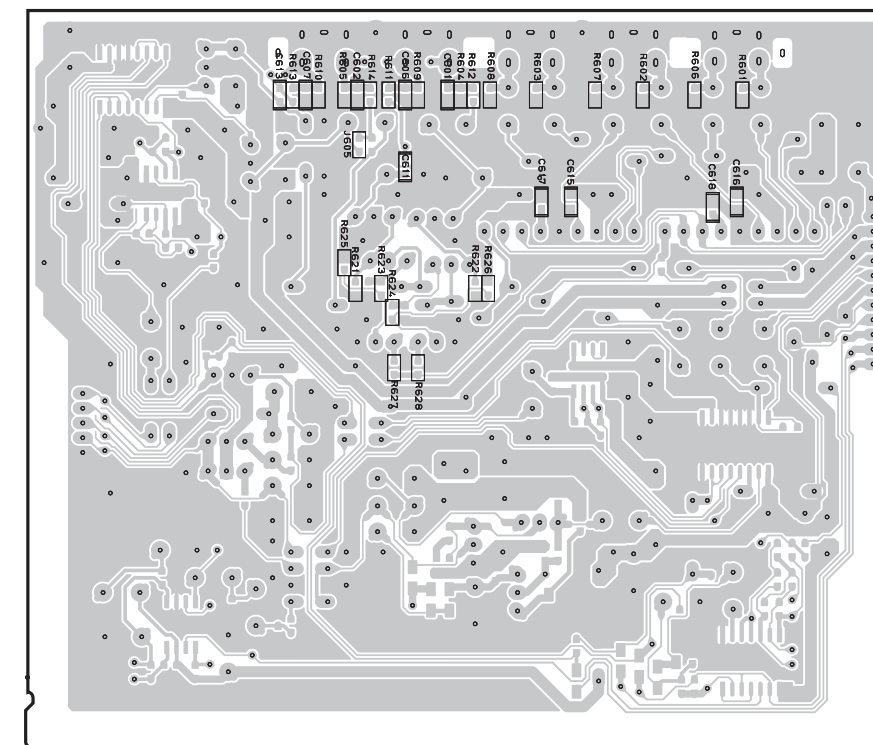
SUBTRANS (1) P.C.B. (Side B) Lead Free Solder Used



SUBTRANS (3) P.C.B. (Side A)



SUBTRANS (3) P.C.B. (Side B) Lead Free Solder Used



• Semiconductor Location

Ref. No.	Location
D401	B7
D402	B7
D403	B7
D404	C7
D405	C7
D406	C7
D407	B6
D409	B6
D411	B6
D412	C7
D413	D7
IC401	B4
IC402	C4
IC403	B4
IC601	G2
IC602	H2
Q401	B3
Q402	B7
Q403	B4
Q404	C3
Q602	G2
Q603	G2
Q605	G3
Q606	G3
Q607	G3
Q608	G3

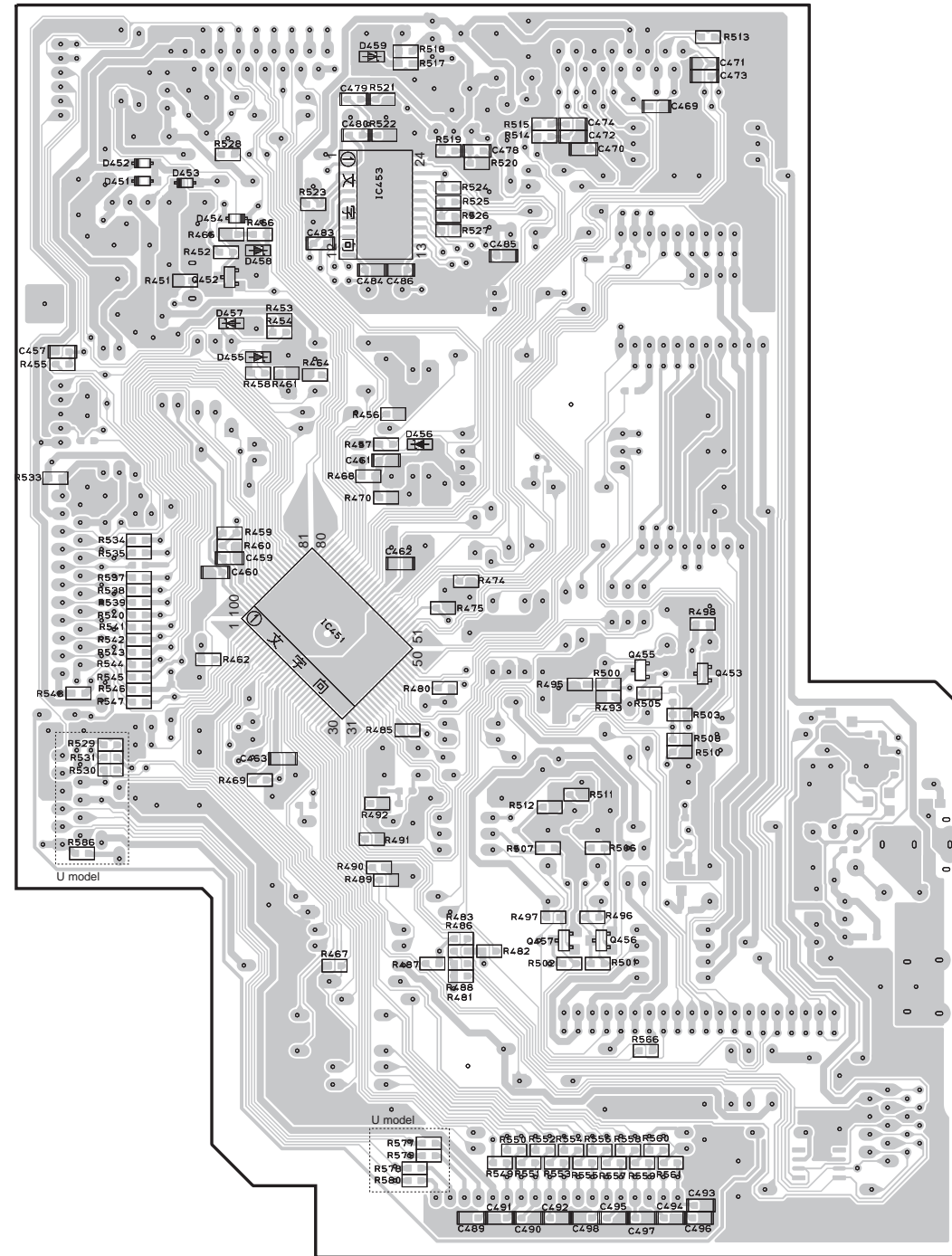
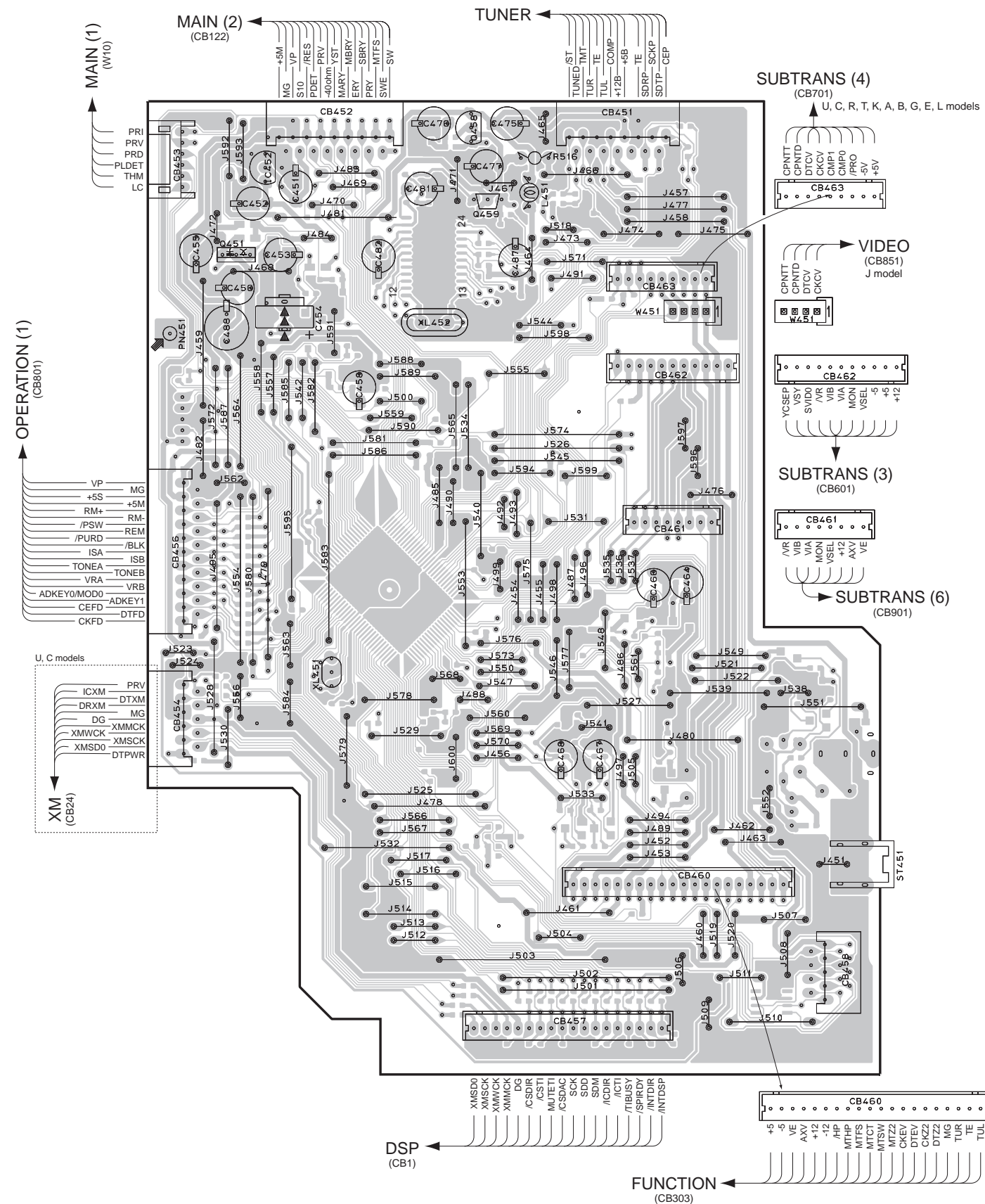
PRINTED CIRCUIT BOARD (Foil side) RX-V457/HTR-5840/DSP-AX457

SUBTRANS (2) P.C.B. (Side A)

SUBTRANS (2) P.C.B. (Side B) Lead Free Solder Used

• Semiconductor Location

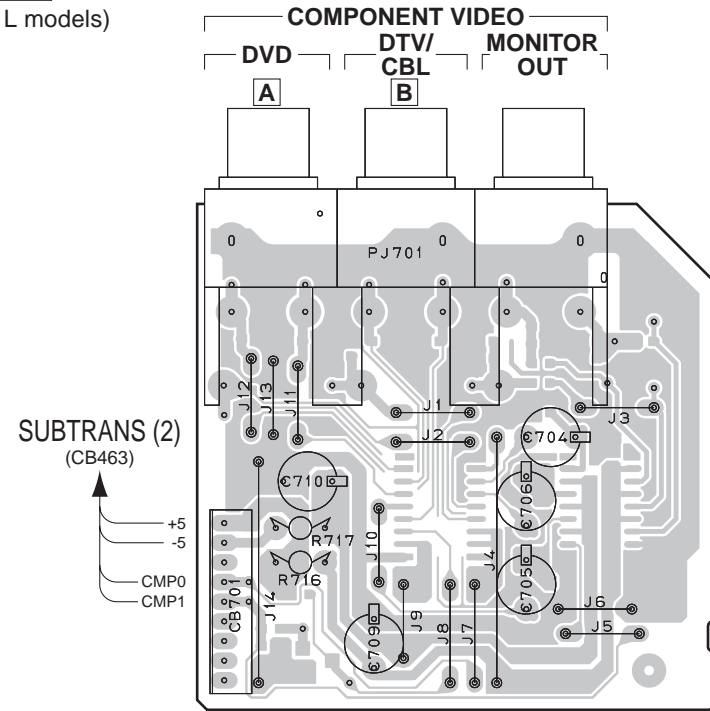
Ref. No.	Location
D451	F3
D452	F3
D453	G3
D454	G3
D455	G3
D456	G4
D457	G3
D458	G3
D459	G2
IC451	G4
IC452	B2
IC453	G2
Q451	B3
Q452	G3
Q453	H4
Q455	H4
Q456	H6
Q457	H6
Q458	C2
Q459	C3



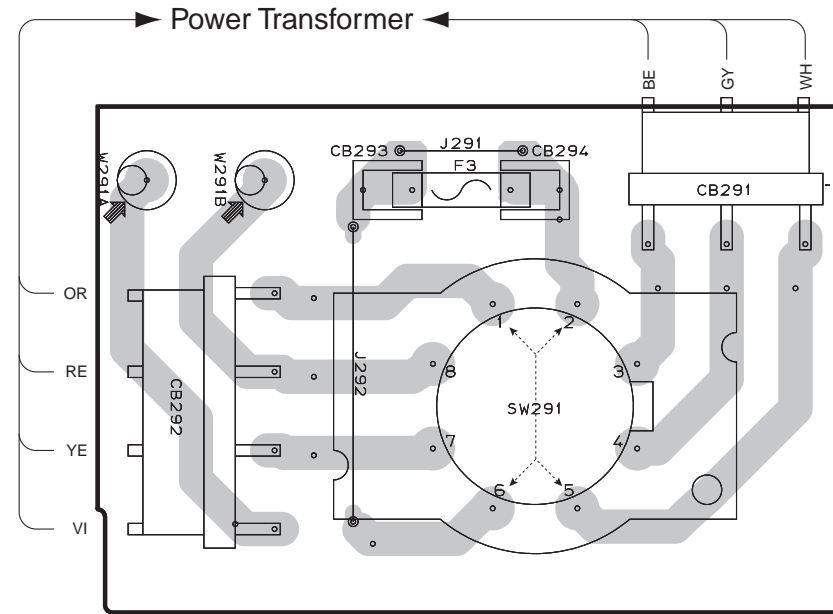
1
2
3
4
5
6
7

■ PRINTED CIRCUIT BOARD (Foil side) RX-V457/HTR-5840/DSP-AX457

SUBTRANS (4) P.C.B. (Side A)
 (U, C, R, T, K, A, B, G, E, L models)



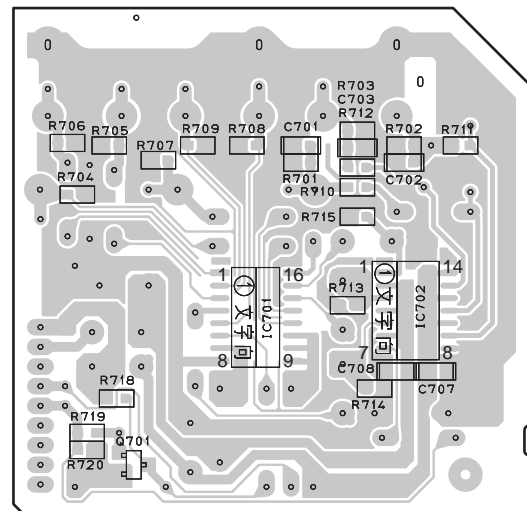
SUBTRANS (5) P.C.B. (Side A)
 (R, L models)



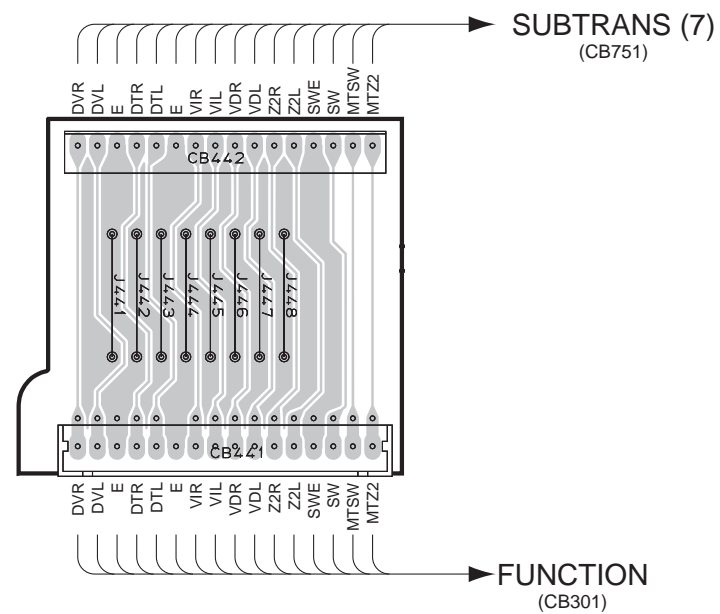
• Semiconductor Location

Ref. No.	Location
IC701	B6
IC702	C6
Q701	B6

SUBTRANS (4) P.C.B. (Side B) Lead Free Solder Used
 (U, C, R, T, K, A, B, G, E, L models)

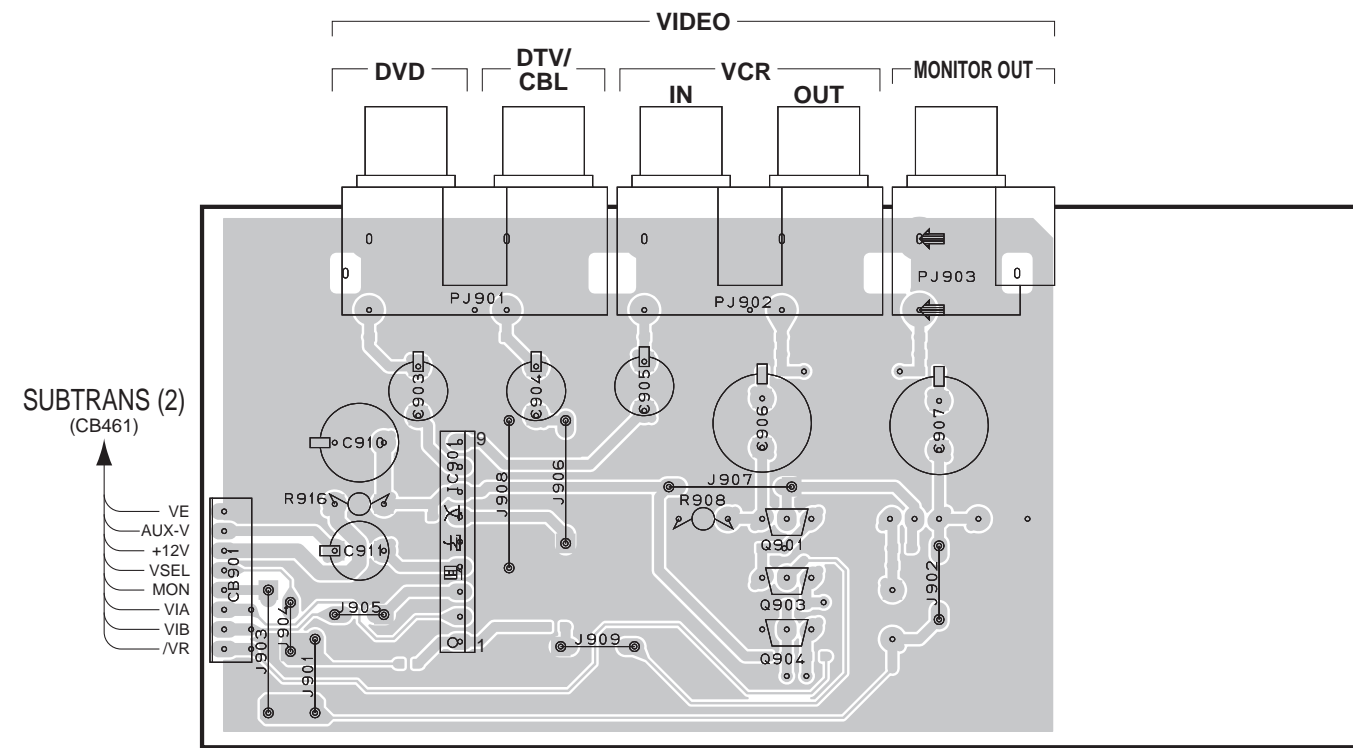


SUBTRANS (9) P.C.B. (Side A)

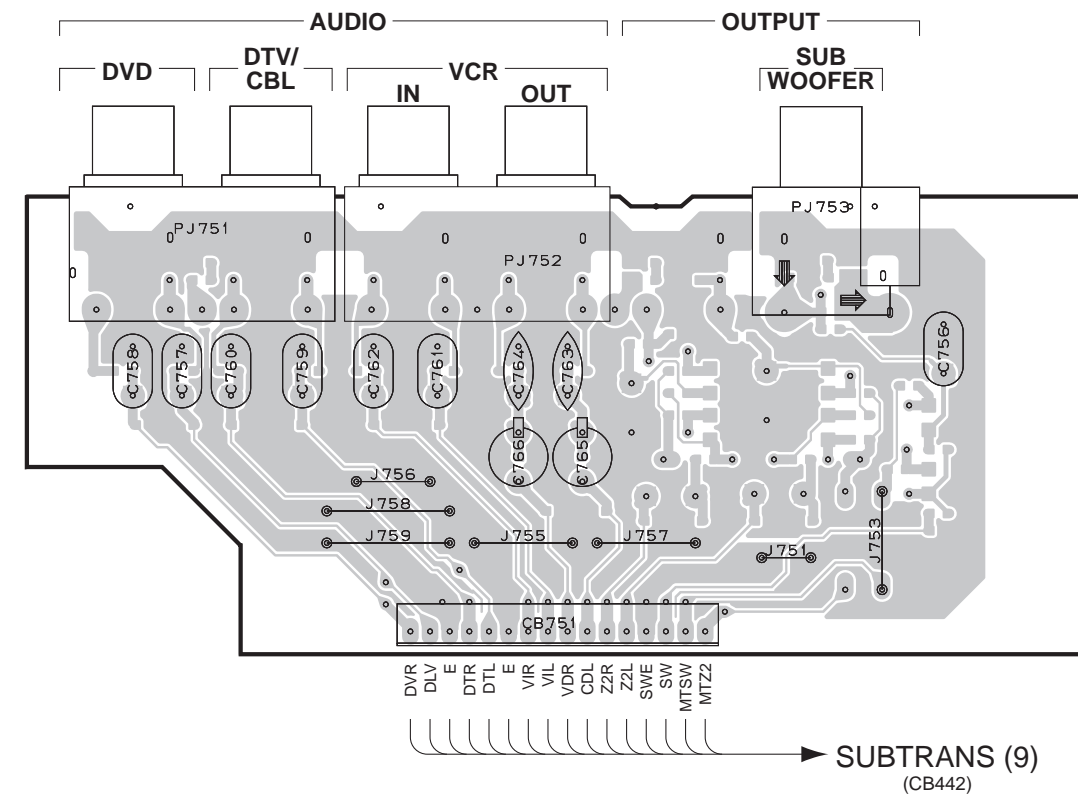


1 ■ PRINTED CIRCUIT BOARD (Foil side) RX-V457/HTR-5840/DSP-AX457

SUBTRANS (6) P.C.B. (Side A)



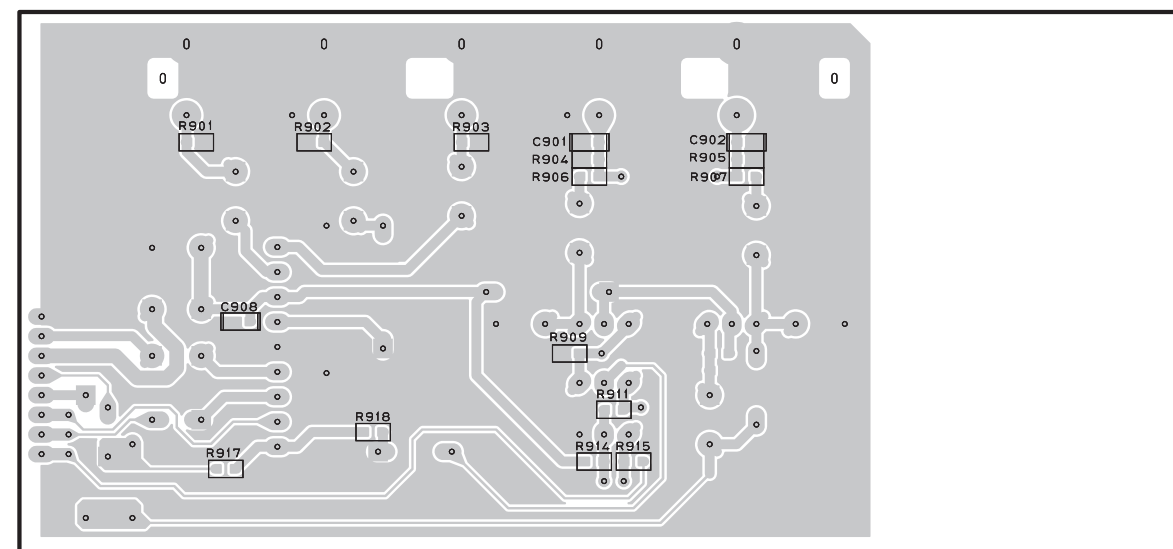
SUBTRANS (7) P.C.B. (Side A)



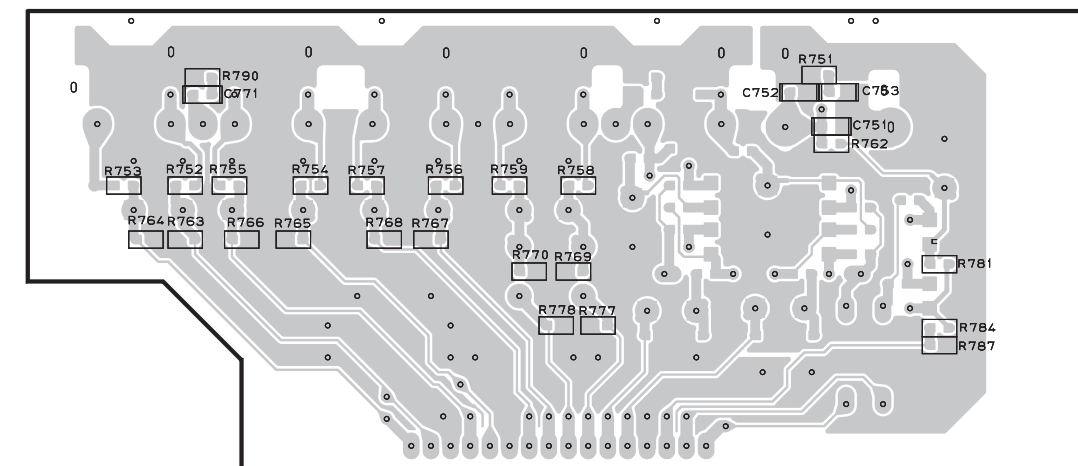
• Semiconductor Location

Ref. No.	Location
IC901	B3
Q901	C3
Q903	C4
Q904	C4

SUBTRANS (6) P.C.B. (Side B) Lead Free Solder Used



SUBTRANS (7) P.C.B. (Side B) Lead Free Solder Used



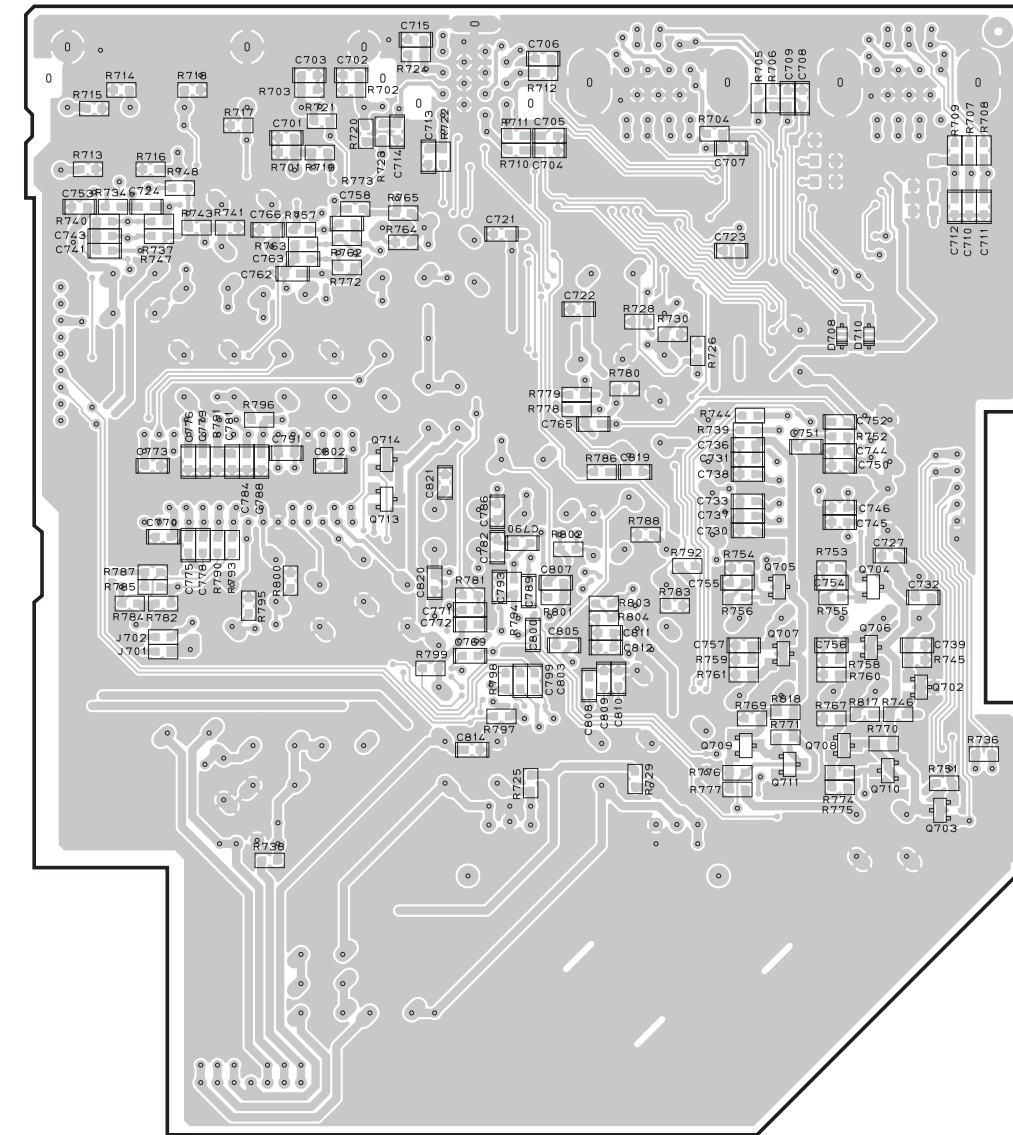
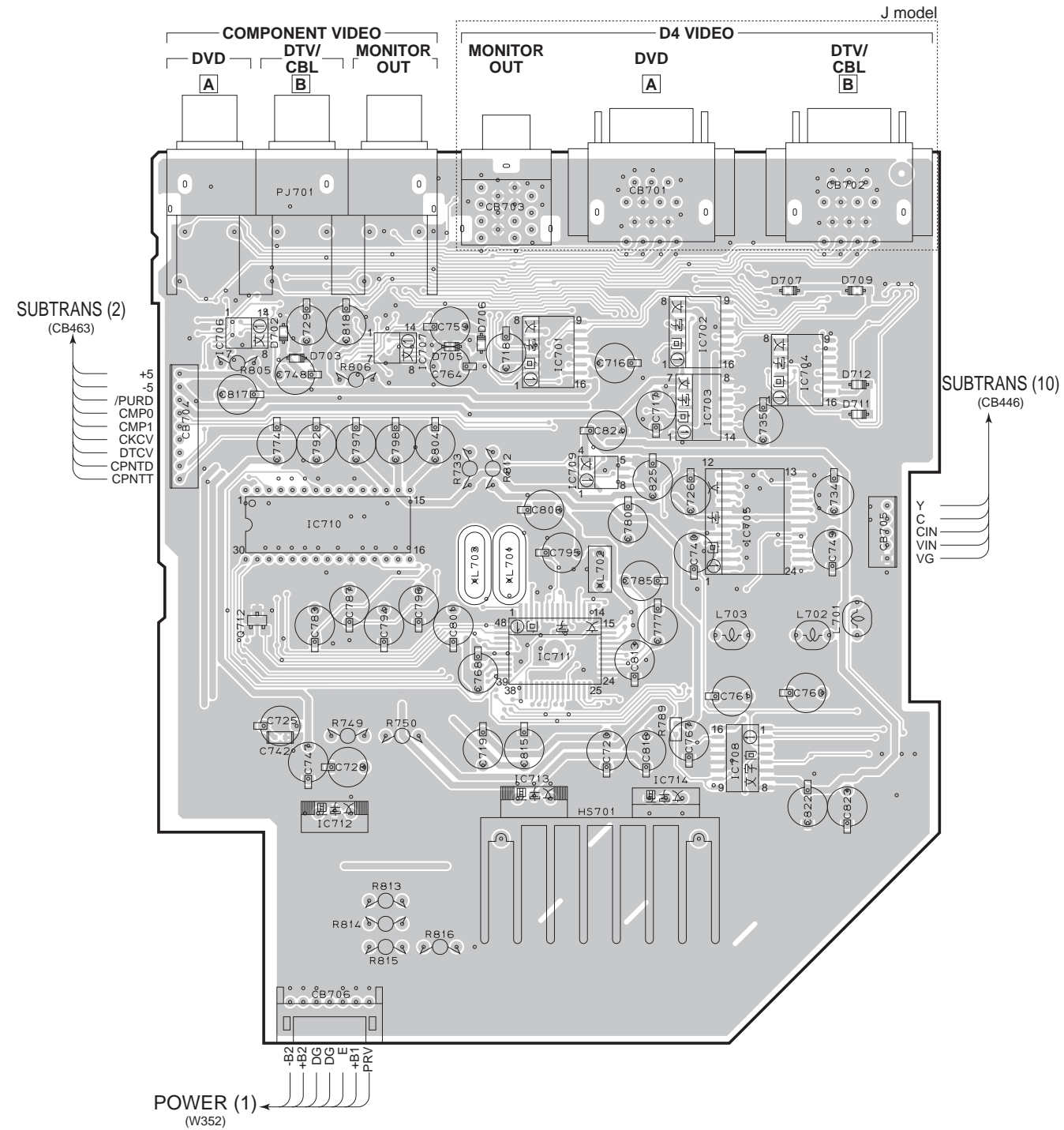
PRINTED CIRCUIT BOARD (Foil side) RX-V557/HTR-5850/DSP-AX557

CONVERSION P.C.B. (Side A) Lead Solder Used

CONVERSION P.C.B. (Side B) Lead Free Solder Used

• Semiconductor Location

Ref. No.	Location
D702	B3
D703	B3
D705	C3
D706	C3
D707	D3
D708	I3
D709	D3
D710	I3
D711	D3
D712	D3
IC701	C3
IC702	D3
IC703	D3
IC704	D3
IC705	D5
IC706	B3
IC707	B3
IC708	D5
IC709	C4
IC710	B4
IC711	C4
IC712	B5
IC713	C5
IC714	C5
Q702	I4
Q703	I5
Q704	I4
Q705	H4
Q706	I4
Q707	H4
Q708	I5
Q709	H5
Q710	I5
Q711	H5
Q712	B4
Q713	G4
Q714	G4

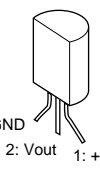
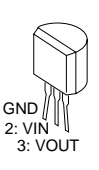
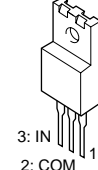

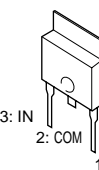
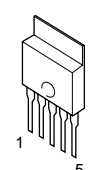
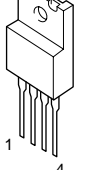
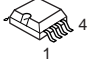
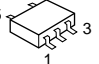

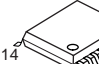



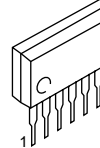
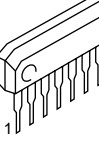
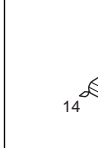

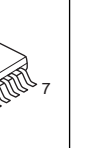
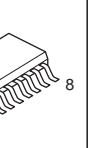
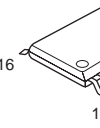
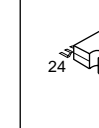
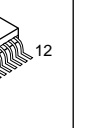
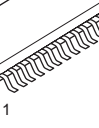
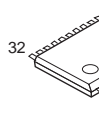
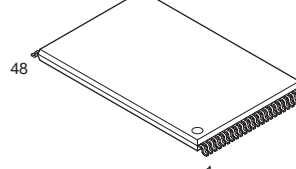
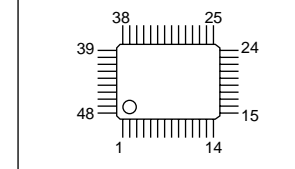
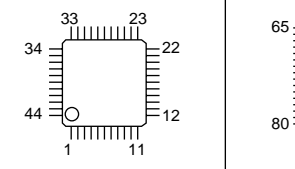
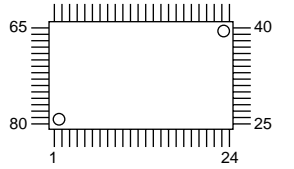
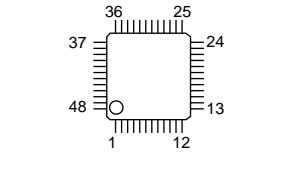
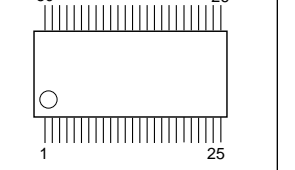
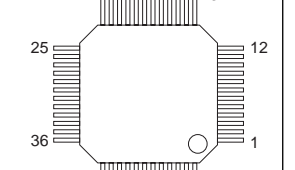
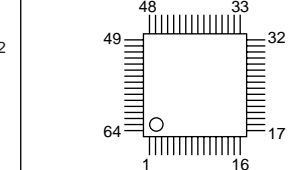


Circuit No.	J	U, C, K	R, T, A, B, G, E, L
CB701-703	O	X	X
C747, 774, 783, 787, 792, 794, 796-798, 801, 804	X	X	O
D707-712	O	X	X
IC704	O	X	X
IC710	X	X	O
Q713, 714	X	X	O
R749	X	X	O
XL703	X	X	O

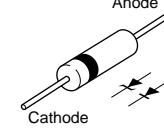
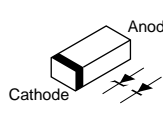
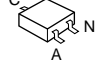
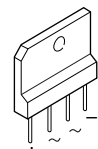
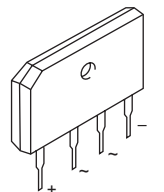
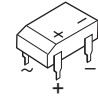
X : NOT USED / O : USED

■ PIN CONNECTION DIAGRAM

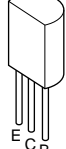
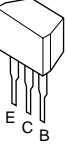
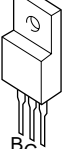

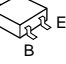

• ICs

LM61CIZ  3: GND 2: Vout 1: +Vs	NJU7201L55  1: GND 2: VIN 3: VOUT	NJM7805FA NJM7809FA NJM7812FA  3: IN 2: COM 1: OUT	NJM79M05FA NJM79M12FA  3: COM 2: IN 1: OUT	μPC29M33T-E1  3: IN 2: COM 1: OUT	PQ012FZ01ZP  1 5	NJM2388F  1 4
NE5532DR  8 4 1	SN74AHC1G08DCKR SN74AHC1G32DCKR  5 4 1 3	NJM2068MD TK15420M  8 4 1	NJM2581M SN74AHCT00PWR SN74AHCT08PWR SN74LV157APWR SN74LVU04APWR  14 7 1	PQ05RD11  1 4	NJM78M05DL1A  1 3	BA50BC0T  1 3
NJM4556AL  1 8	LA7956  1 9	TC74HCU04AFEL TC4013BP  14 7 1	TC74VHCU04FT  14 7 1	TC74HC4052AF TC74HC4053AF  16 8 1	SN74LV245APWR  20 10 1	
AK4384ET  16 8 1	TC90A49F  24 12 1	LC72722PM  24 12 1	BD3841FS  32 17 1 16	TA8772AN  30 15 1		
MBM29LV400BC-70PFT  48 24 1	TA1270BF  38 25 39 24 48 15 1 14	AK4628VQ  33 23 34 22 44 12 1 11	BD3816K1  64 41 65 40 80 25 1 24			
XMDT  36 25 37 24 48 13 1 12	W9816G6CH  50 26 1 25	LC89057W-VF4D-E  24 13 25 12 36 1 37 48	M66003-0131FP  48 33 49 32 64 17 1 16			

• Diodes

1N4002S 1SS133 1SS270A 1T2  Anode Cathode	MTZJ15A MTZJ2.4B MTZJ27A MTZJ30A  Anode Cathode	1SS355 MA8030-L MA8051-M MA8056-M MA8068-H MA8075-H MA8091-M MA8100-M RB500V-40 UDZ3.6BTE-17	SB01-05Q  C N A
TS6P03G  +	D3SBA20 KBP103G  +	S1NB20 S1NB60  +	

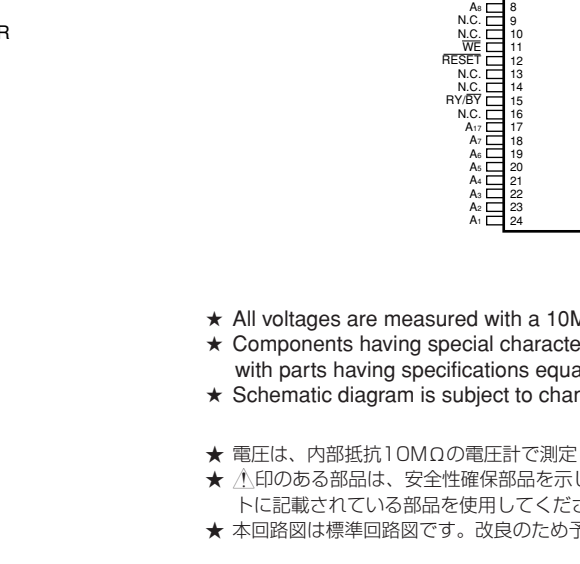
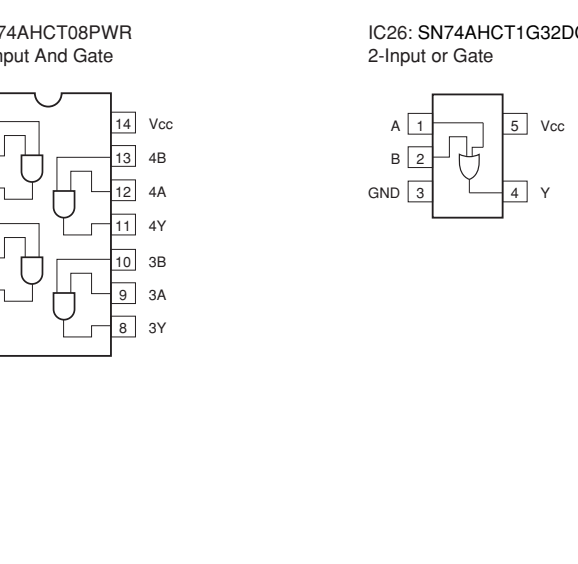
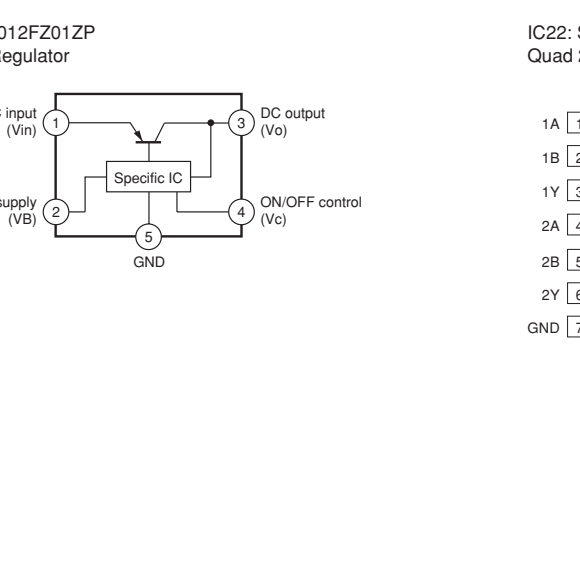
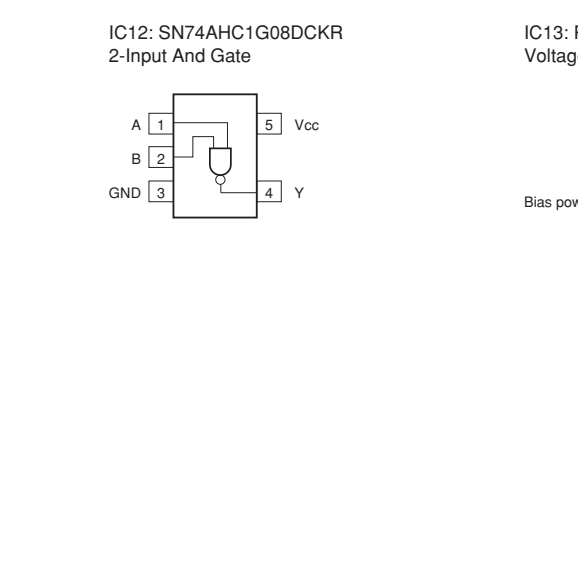
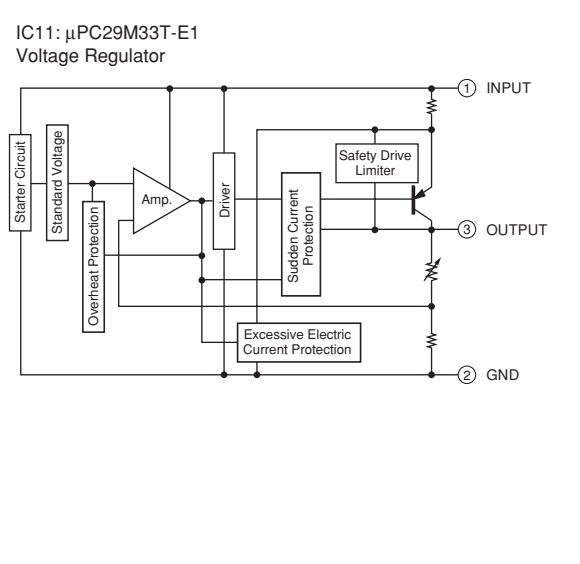
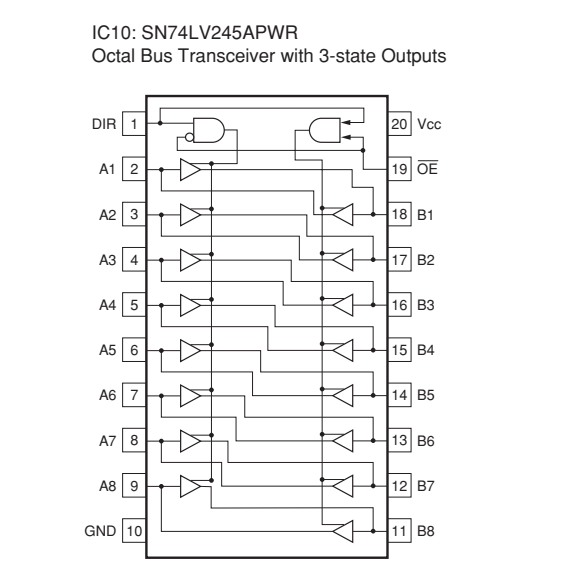
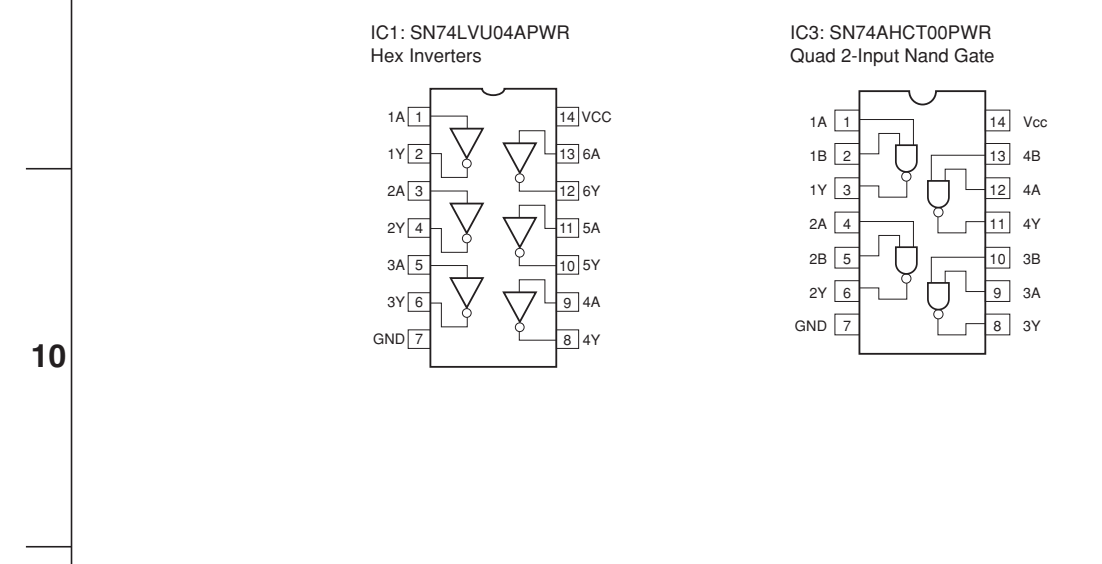
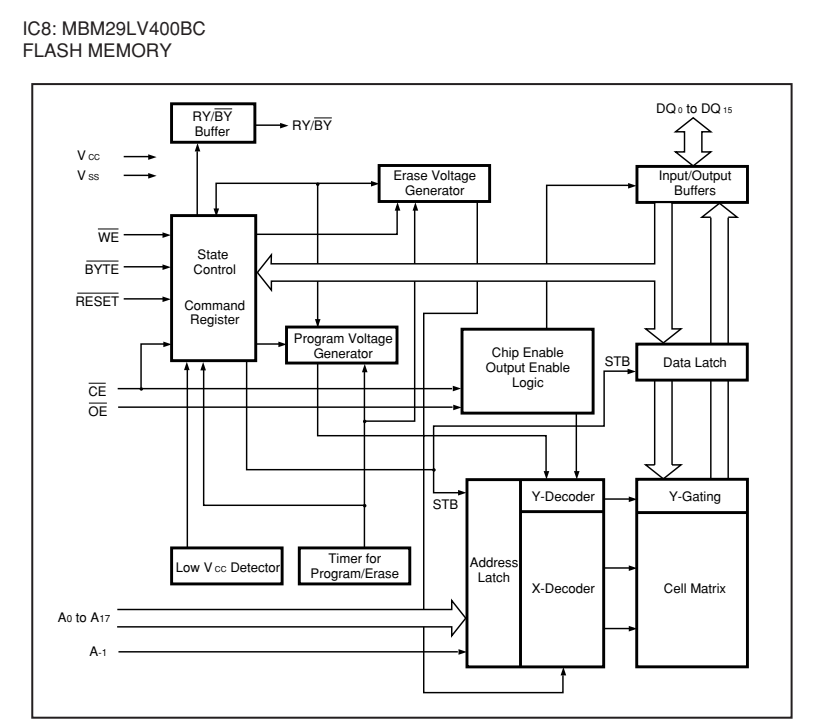
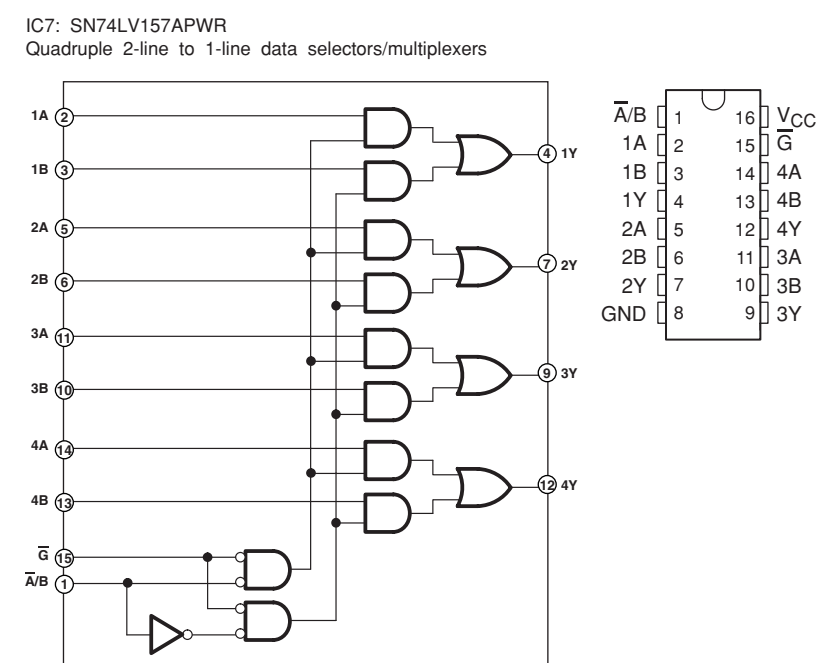
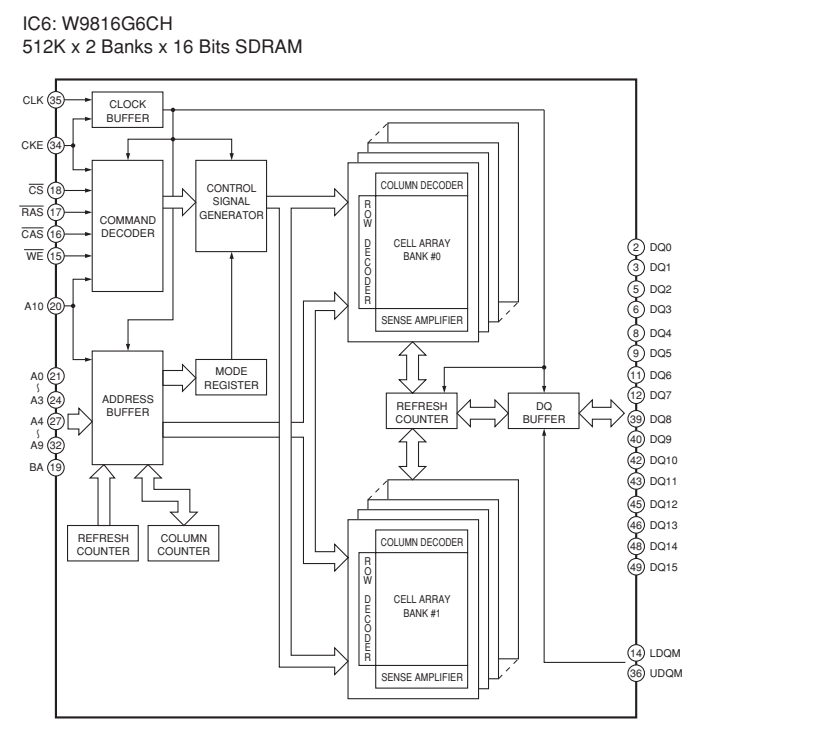
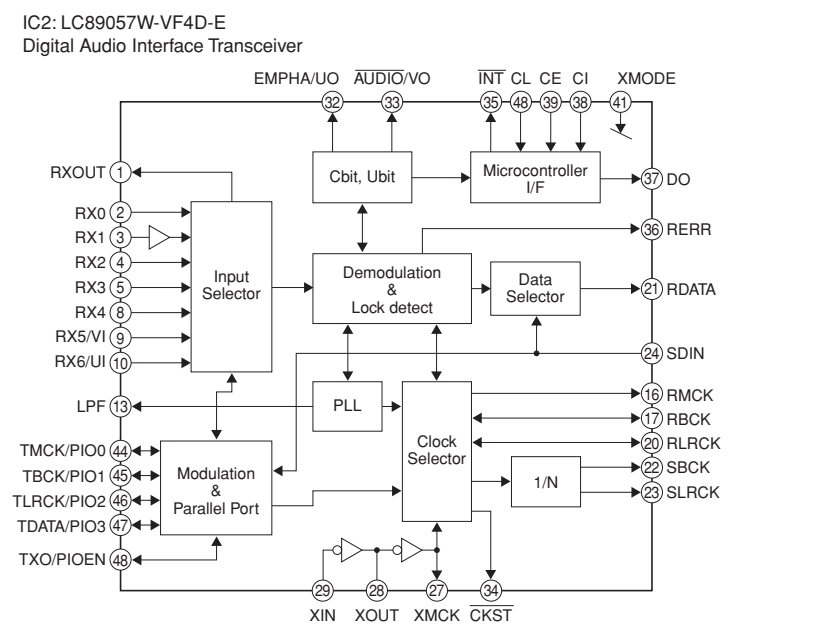
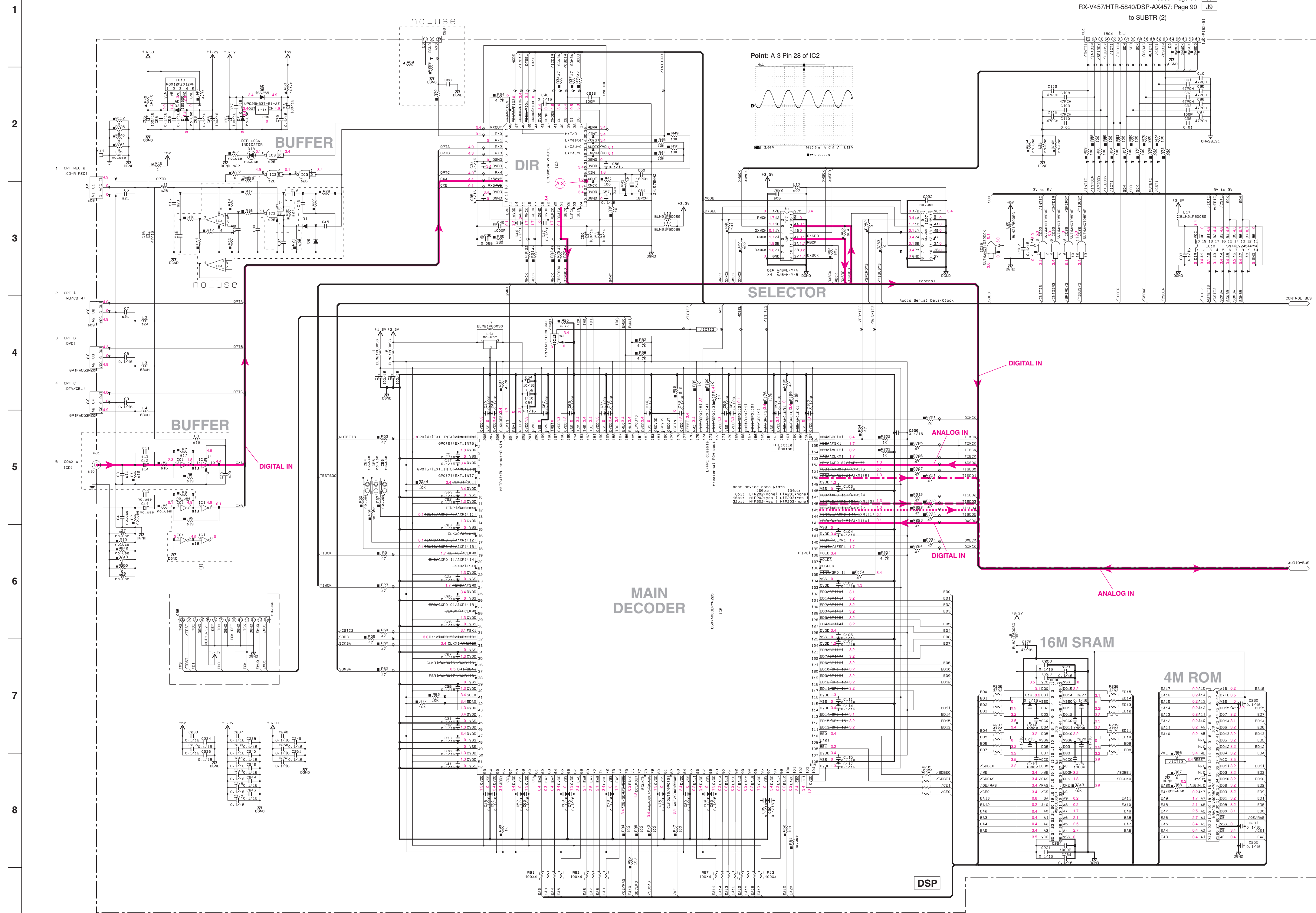
• Transistors

2SA1015 2SA949 2SC1815 2SC1890A 2SC2229 2SC2240 2SC535 2SA2N5401C 2SC2N5551C  E C B	2SC1740S 2SD1915F  E C B	2SB1274  B C E	2SA1695 2SC4468  B C E
2SA1037K 2SC2412K 2SD1938F DTC144EKA  C B E	2SA1708 2SA1770 2SC4488 2SC4614  E C B		

SCHEMATIC DIAGRAM (DSP 1/2)

RX-V557/DSP-AX557: Page 88
 HTR-5850: Page 89
 RX-V457/HTR-5840/DSP-AX457: Page 90

RX-V557/HTR-5850/DSP-AX557/RX-V457/HTR-5840/DSP-AX457



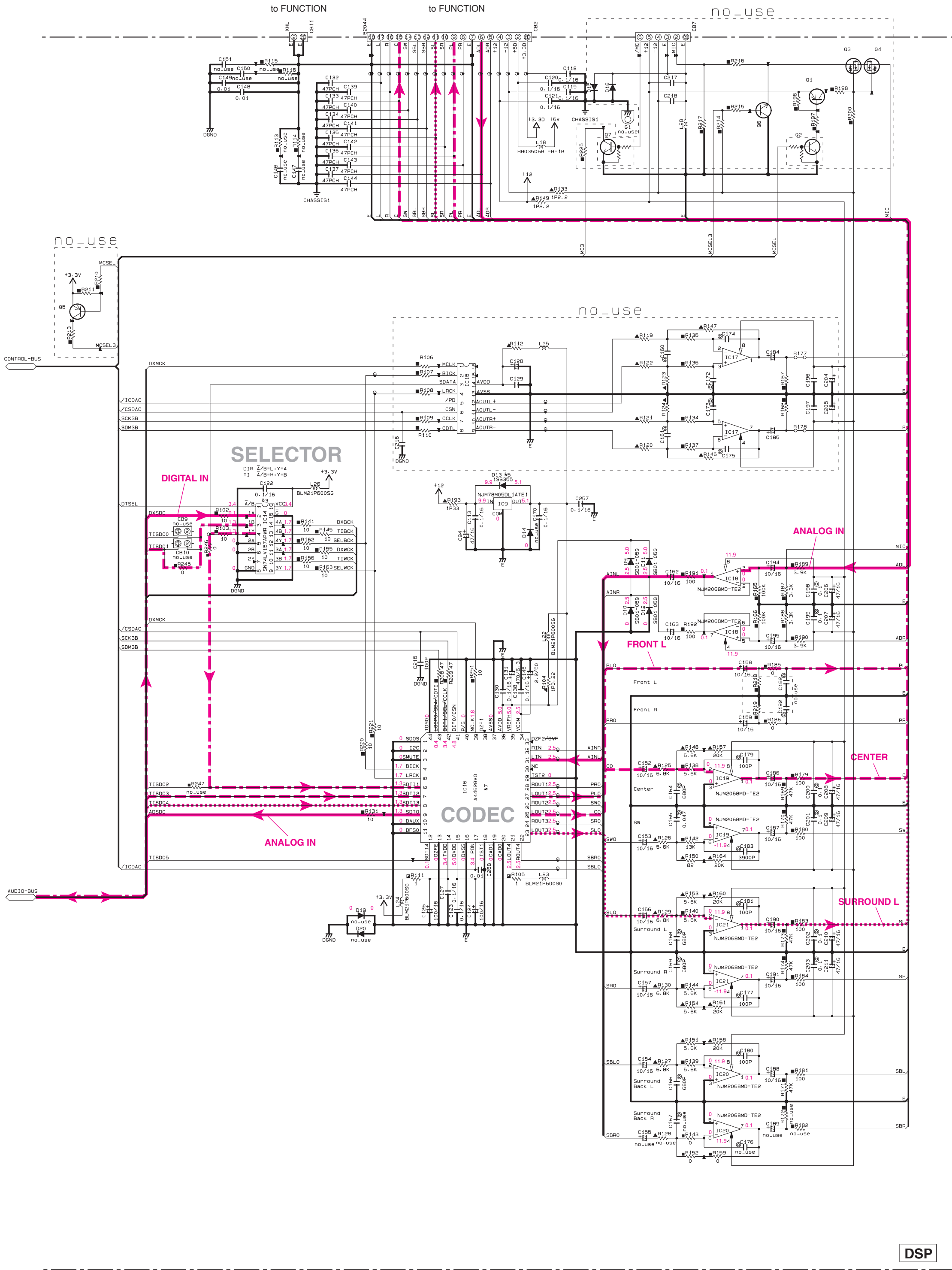
All voltages are measured with a 10MΩ/V DC electronic volt meter.
 Components having special characteristics are marked with * and must be replaced with parts having specifications equal to those originally installed.
 Schematic diagram is subject to change without notice.

電圧は、内部抵抗10MΩの電圧計で測定したものです。
 *印のある部品は、安全性確保部品を示しています。部品の交換が必要な場合、パーツリストに記載されている部品を使用してください。
 本回路図は標準回路図です。改訂のため予告なく変更することがございます。

SCHEMATIC DIAGRAM (DSP 2/2)

Page 83 [B1] to FUNCTION

Page 83 [E1] to FUNCTION



Destination Part List	RX-V557/HTR-5850/DSP-AX557				RX-V457/HTR-5840/DSP-AX457			
xxx	LOC	U.C.	R.T.K.A.B.G.E.L.	J.R.T.K.A.B.G.E.L.	U.C.	R.T.K.A.B.G.E.L.	J.R.T.K.A.B.G.E.L.	U.C.
51	R48	RD35000	X	RD35000	RD35000	X	RD35000	X
52	R51	RD35000	X	RD35000	RD35000	X	RD35000	X
53	R64	RD35000	X	RD35000	RD35000	X	RD35000	X
54	R68	RD35000	X	RD35000	RD35000	X	RD35000	X
56	C222	X	US09510	X	X	US09510	X	US09510
57	L10	X	V244990	X	X	V244990	X	BLM1P00050
58	U1	448890	448890	448890	448890	448890	448890	448890
59	U2	448890	448890	448890	448890	448890	448890	448890
60	Pu1	448890	448890	448890	448890	448890	448890	448890
61	C3	X	US08120	X	X	US08120	X	US08120
62	R1	X	RD35482	X	X	RD35482	X	RD35482
63	C11	X	US13010	X	X	US13010	X	US13010
64	C12	X	US08120	X	X	US08120	X	US08120
65	R3	X	RD35568	X	X	RD35568	X	RD35568
66	L9	X	V244990	X	X	V244990	X	BLM1P00050
67	R7	X	RD35647	X	X	RD35647	X	RD35647
68	IC1	X	SN74LV157APWR	X	X	SN74LV157APWR	X	SN74LV157APWR
69	Hb-09	X	RD35718	X	X	RD35718	X	RD35718
70	C20	X	US09510	X	X	US09510	X	US09510
71	C21	X	US09510	X	X	US09510	X	US09510
72	C6-C7	US13010	X	X	X	US13010	X	US13010
73	C16	US08120	X	X	X	US08120	X	US08120
74	L2	V244990	X	X	X	V244990	X	BLM1P00050
75	L11	BLM1P00050	X	X	X	BLM1P00050	X	BLM1P00050
76	IC3	3301840	X	X	X	3301840	X	SN74MHC100PWR
77	R29	RD35000	X	X	X	RD35000	X	RD35000
78	R21	RD35010	X	X	X	RD35010	X	RD35010

Interchangeable Parts at Manufacture-Stage

Mark	Reference Parts Number	Parts Name
51	U1	GR1F45031Z
52	U2-4	GR1F45031Z
53	IC1-14	SN74LV157APWR
54	IC5	WS1662C-7
55	D3-B-13	155395
56		M4111
57	IC16	AK4628VQ

CAPACITOR PARTS NAME

REMARKS	PARTS NAME
NO MARK	ELECTROLYTIC CAPACITOR
⊗	TANTALUM CAPACITOR
⊙	CERAMIC TUBULAR CAPACITOR
⊕	POLYESTER FILM CAPACITOR
⊖	POLYSTYRENE FILM CAPACITOR
⊙	MICA CAPACITOR
⊕	POLYPROPYLENE FILM CAPACITOR
⊖	SEMICONDUCTIVE CERAMIC CAPACITOR
⊙	POLYPHENYLENE SULFIDE FILM CAPACITOR

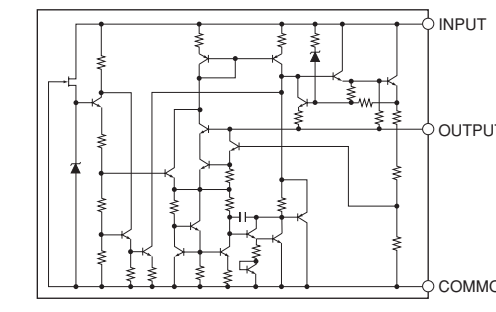
RESISTOR PARTS NAME

REMARKS	PARTS NAME
NO MARK	CARBON FILM RESISTOR (P±5)
⊗	CARBON FILM RESISTOR (P±10)
⊕	METAL OXIDE FILM RESISTOR
⊖	METAL FILM RESISTOR
⊙	METAL PLATE RESISTOR
⊕	FIRE PROOF CARBON FILM RESISTOR
⊖	CEMENT MIXED RESISTOR
⊙	SEMI-VARIABLE RESISTOR
⊕	CHIP RESISTOR

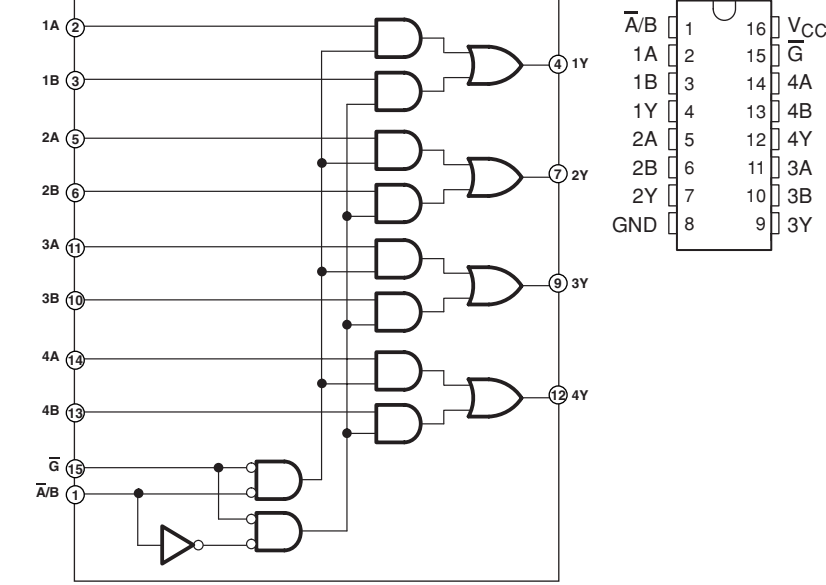
NOTICE (model)

(J)..... JAPAN
 (U)..... U.S.A.
 (C)..... CANADA
 (R)..... GENERAL
 (T)..... CHINA
 (K)..... KOREA
 (A)..... AUSTRALIA
 (B)..... BRITISH
 (E)..... EUROPE
 (L)..... SINGAPORE
 (V)..... SOUTH EUROPE
 (I)..... TAIWAN

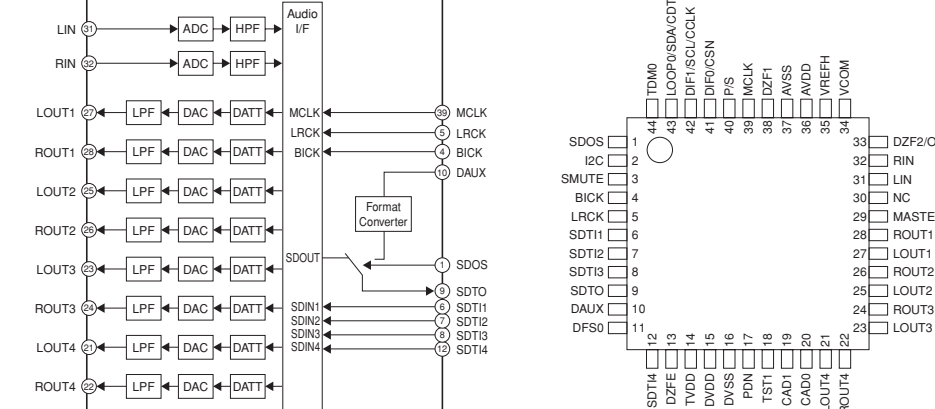
IC3: NJM78M05DL1A Voltage Regulator



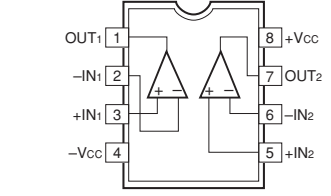
IC14: SN74LV157APWR Quaduple 2-line to 1-line data selectors/multiplexers



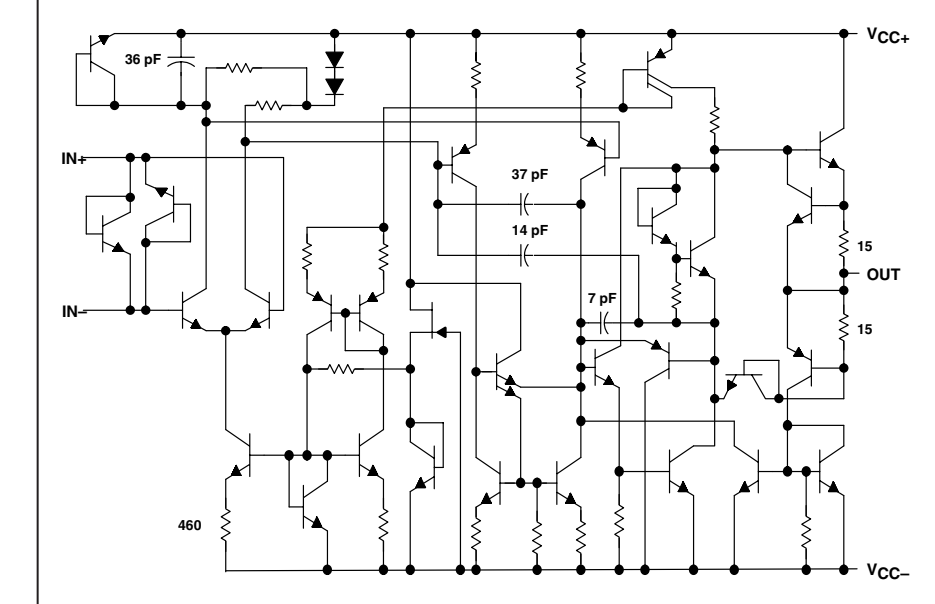
IC16: AK4628VQ 192kHz 24Bit 8-channel CODEC



IC18, 21: NJM2068MD Dual OP-Amp



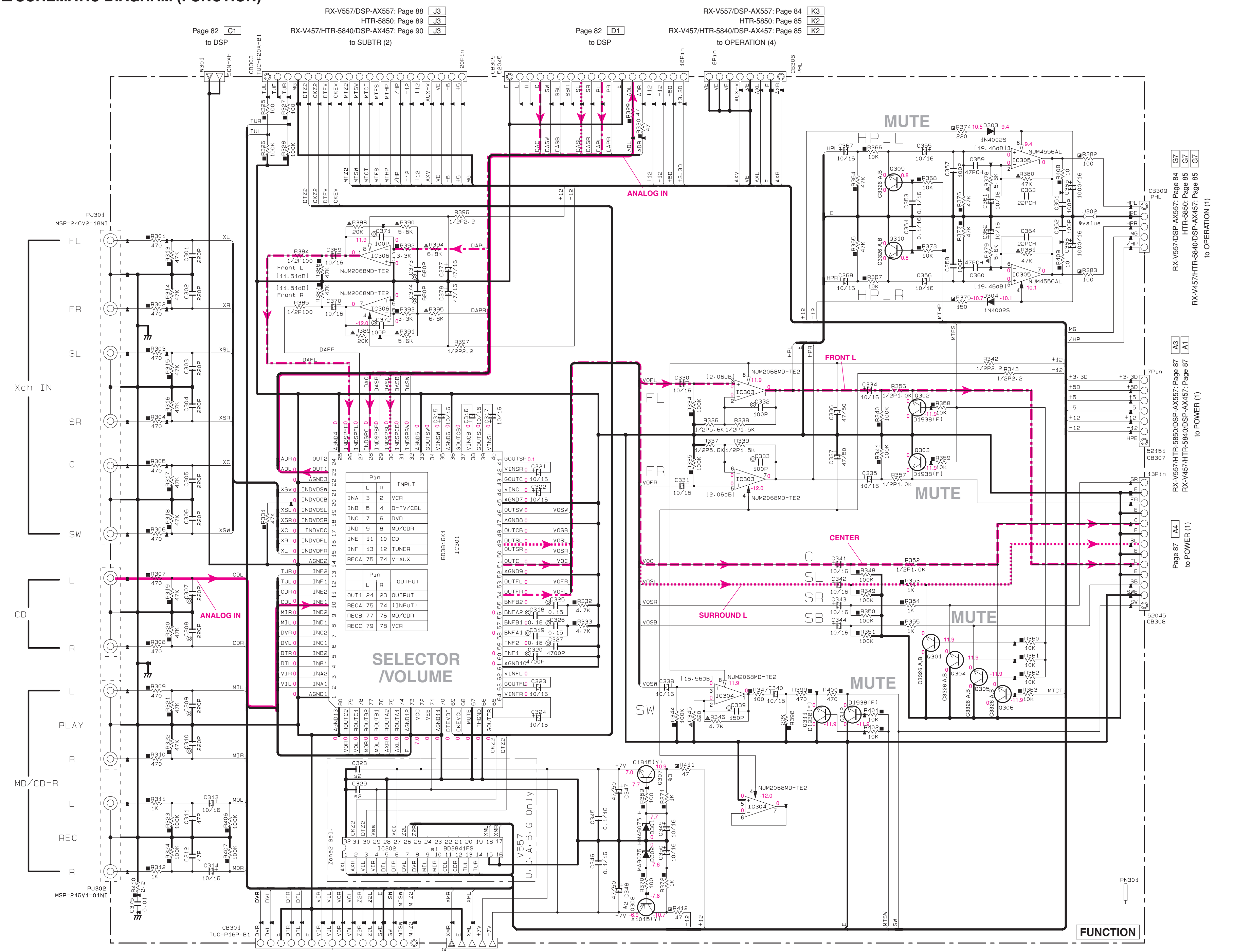
IC19, 20: NE5532DR DUAL LOW-NOISE OPERATIONAL AMPLIFIERS



* All voltages are measured with a 10MΩ/V DC electronic volt meter.
 * Components having special characteristics are marked with a star (★) and must be replaced with parts having specifications equal to those originally installed.
 * Schematic diagram is subject to change without notice.

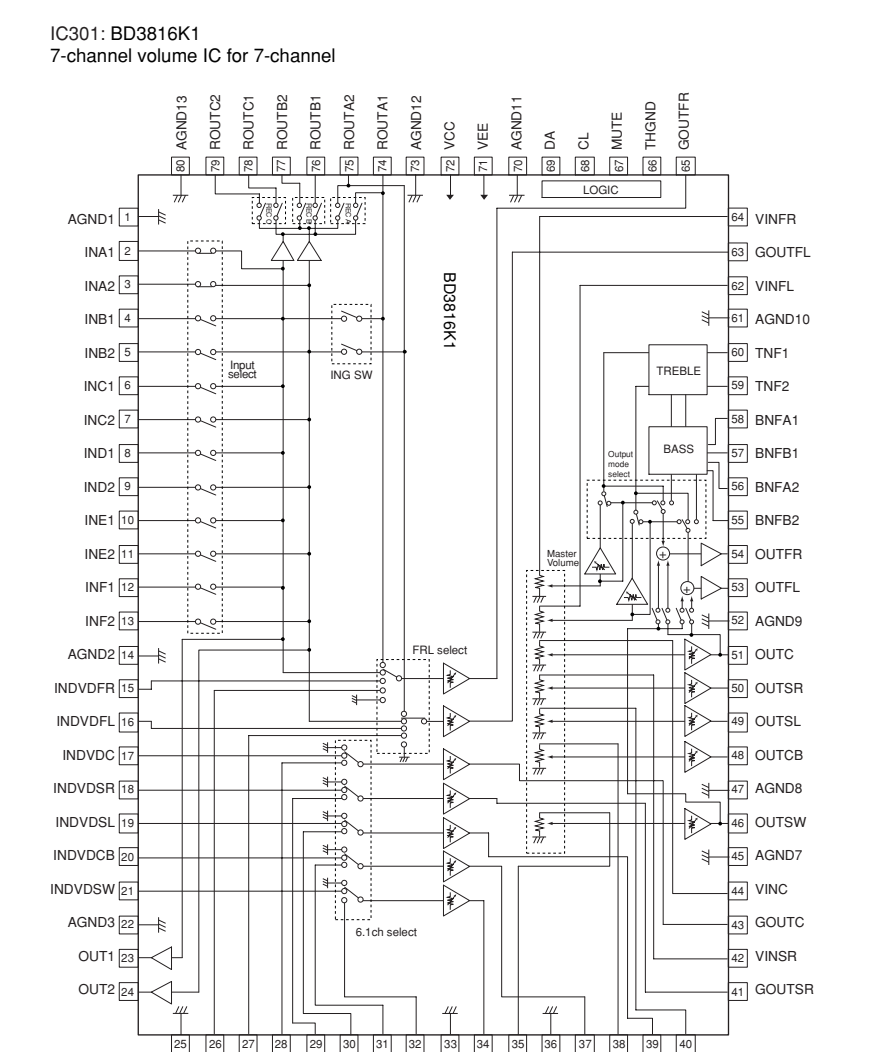
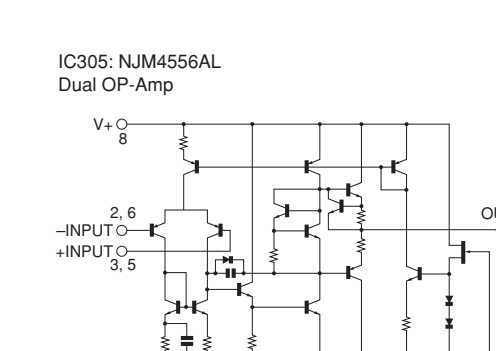
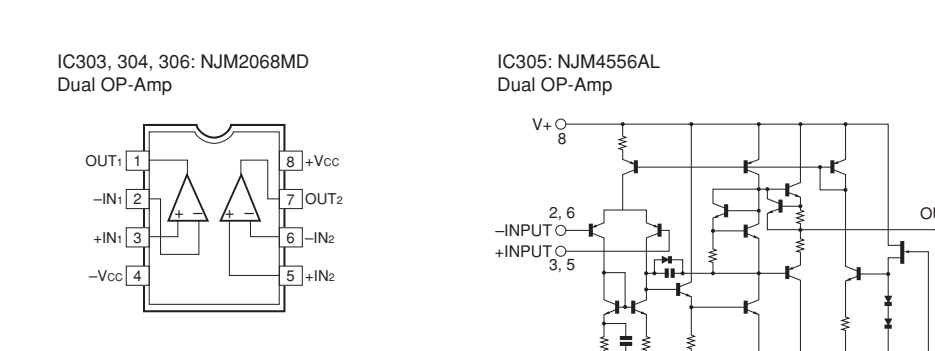
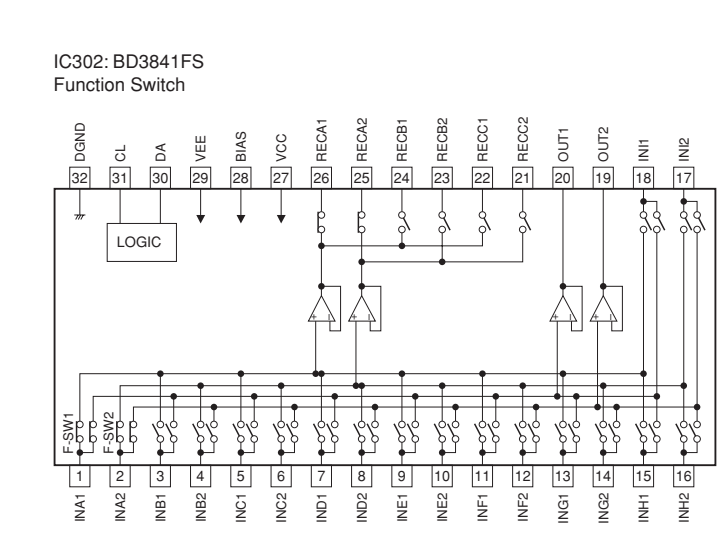
* 電圧は、内部抵抗10MΩの電圧計で測定したものです。
 * ★印のある部品は、安全性確保部品を示しています。部品の交換が必要な場合、パーツリストに記載されている部品を使用してください。
 * 本回路図は標準回路図です。改良のため予告なく変更することがございます。

SCHEMATIC DIAGRAM (FUNCTION)



RX-V557/DSP-AX557: Page 88 [J3]
 HTR-5850: Page 89 [J2]
 RX-V457/HTR-5840/DSP-AX457: Page 90 [J3]
 RX-V557/DSP-AX557: Page 84 [K3]
 HTR-5850: Page 85 [K2]
 RX-V457/HTR-5840/DSP-AX457: Page 85 [K2]

RX-V557/DSP-AX557: Page 88 [G8]
 HTR-5850: Page 89 [C4]
 RX-V457/HTR-5840/DSP-AX457: Page 90 [C5]
 RX-V557: Page 93 [J5]
 to XM (U, C models)
 to SUBTR (9)



mode1	v457 HTR-5850 HTR-5840 HTR-5830	v557 DSP-AX557	Dest.	ALL	J-R-T-K-L	U-C	A-B-G-E
s1	IC302	x	x	x	BD3841FS X3547A0	0.17A6 US13510	BD3841FS X3547A0
s2	C328-329	x	x	x	0.17A6 US13510	0.17A6 US13510	0.17A6 US13510
s3	W302	x	x	x	MF40540		x

Interchangeable Parts at Manufacture-Stage

Mark	Reference Parts Number	Parts Name
♠1		
♠2	0308	2SA1015(Y) KTA1266
♠3	0307	2SC1815(Y) KTC13198

RESISTOR

REMARKS	PARTS NAME
NO MARK	CARBON FILM RESISTOR (P=5)
⊠	CARBON FILM RESISTOR (P=10)
△	METAL OXIDE FILM RESISTOR
⊞	METAL FILM RESISTOR
⊞	METAL PLATE RESISTOR
⊞	FIRE PROOF CARBON FILM RESISTOR
⊞	CEMENT MOLDED RESISTOR
⊞	SEMI VARIABLE RESISTOR
⊞	CHIP RESISTOR

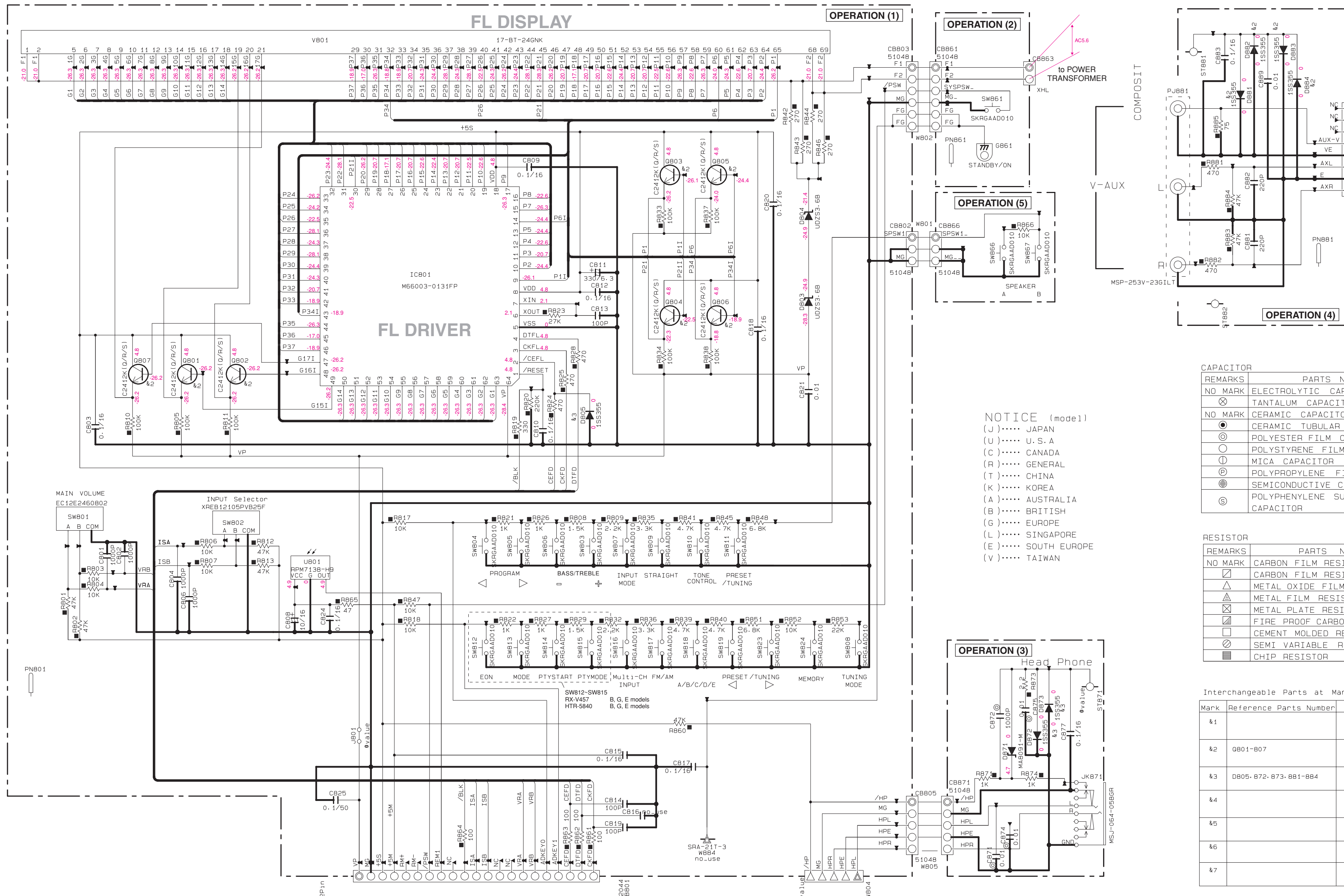
CAPACITOR

REMARKS	PARTS NAME
NO MARK	ELECTROLYTIC CAPACITOR
⊗	TANTALUM CAPACITOR
NO MARK	CERAMIC CAPACITOR
⊙	CERAMIC TUBULAR CAPACITOR
⊙	POLYESTER FILM CAPACITOR
⊙	POLYSTYRENE FILM CAPACITOR
⊙	MICA CAPACITOR
⊙	POLYPROPYLENE FILM CAPACITOR
⊙	SEMICONDUCTIVE CERAMIC CAPACITOR

NOTICE (mode1)
 (J)..... JAPAN
 (U)..... U.S. A
 (C)..... CANADA
 (R)..... GENERAL
 (T)..... CHINA
 (K)..... KOREA
 (A)..... AUSTRALIA
 (B)..... BRITISH
 (G)..... EUROPE
 (L)..... SINGAPORE
 (E)..... SOUTH EUROPE
 (V)..... TAIWAN

* All voltages are measured with a 10MΩ/V DC electronic volt meter.
 * Components having special characteristics are marked ♠, and must be replaced with parts having specifications equal to those originally installed.
 * Schematic diagram is subject to change without notice.

* 電圧は、内部抵抗10MΩの電圧計で測定したものです。
 * ♠印のある部品は、安全性確保部品を示しています。部品の交換が必要な場合、パーツリストに記載されている部品を使用してください。
 * 本回路図は標準回路図です。改良のため予告なく変更することがございます。



NOTICE (mode1)
 (J)..... JAPAN
 (U)..... U. S. A
 (C)..... CANADA
 (R)..... GENERAL
 (T)..... CHINA
 (K)..... KOREA
 (A)..... AUSTRALIA
 (B)..... BRITISH
 (G)..... EUROPE
 (L)..... SINGAPORE
 (E)..... SOUTH EUROPE
 (V)..... TAIWAN

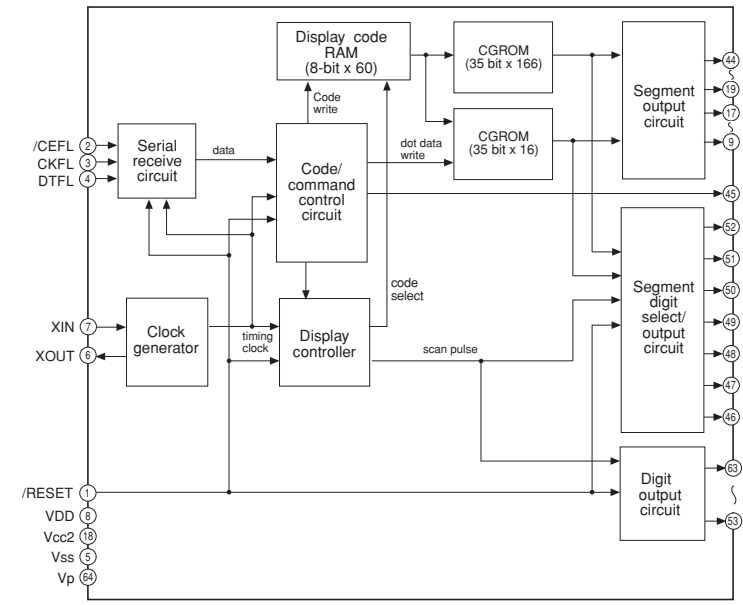
REMARKS	PARTS NAME
NO MARK	ELECTROLYTIC CAPACITOR
⊗	TANTALUM CAPACITOR
NO MARK	CERAMIC CAPACITOR
⊙	CERAMIC TUBULAR CAPACITOR
⊖	POLYESTER FILM CAPACITOR
⊕	POLYSTYRENE FILM CAPACITOR
⊖	MICA CAPACITOR
⊕	POLYPROPYLENE FILM CAPACITOR
⊖	SEMICONDUCTIVE CERAMIC CAPACITOR
⊕	POLYPHENYLENE SULFIDE FILM CAPACITOR

REMARKS	PARTS NAME
NO MARK	CARBON FILM RESISTOR (P=5)
⊗	CARBON FILM RESISTOR (P=10)
△	METAL OXIDE FILM RESISTOR
⊕	METAL FILM RESISTOR
⊖	METAL PLATE RESISTOR
⊕	FIRE PROOF CARBON FILM RESISTOR
⊖	CEMENT MOLDED RESISTOR
⊕	SEMI VARIABLE RESISTOR
⊖	CHIP RESISTOR

Interchangeable Parts at Manufacture-Stage

Mark	Reference Parts Number	Parts Name
&1		
&2	DB01-807	25C2412K1Q/R/S1
&3	DB05-872-873-881-884	1SS355
&4		NA1111
&5		
&6		
&7		

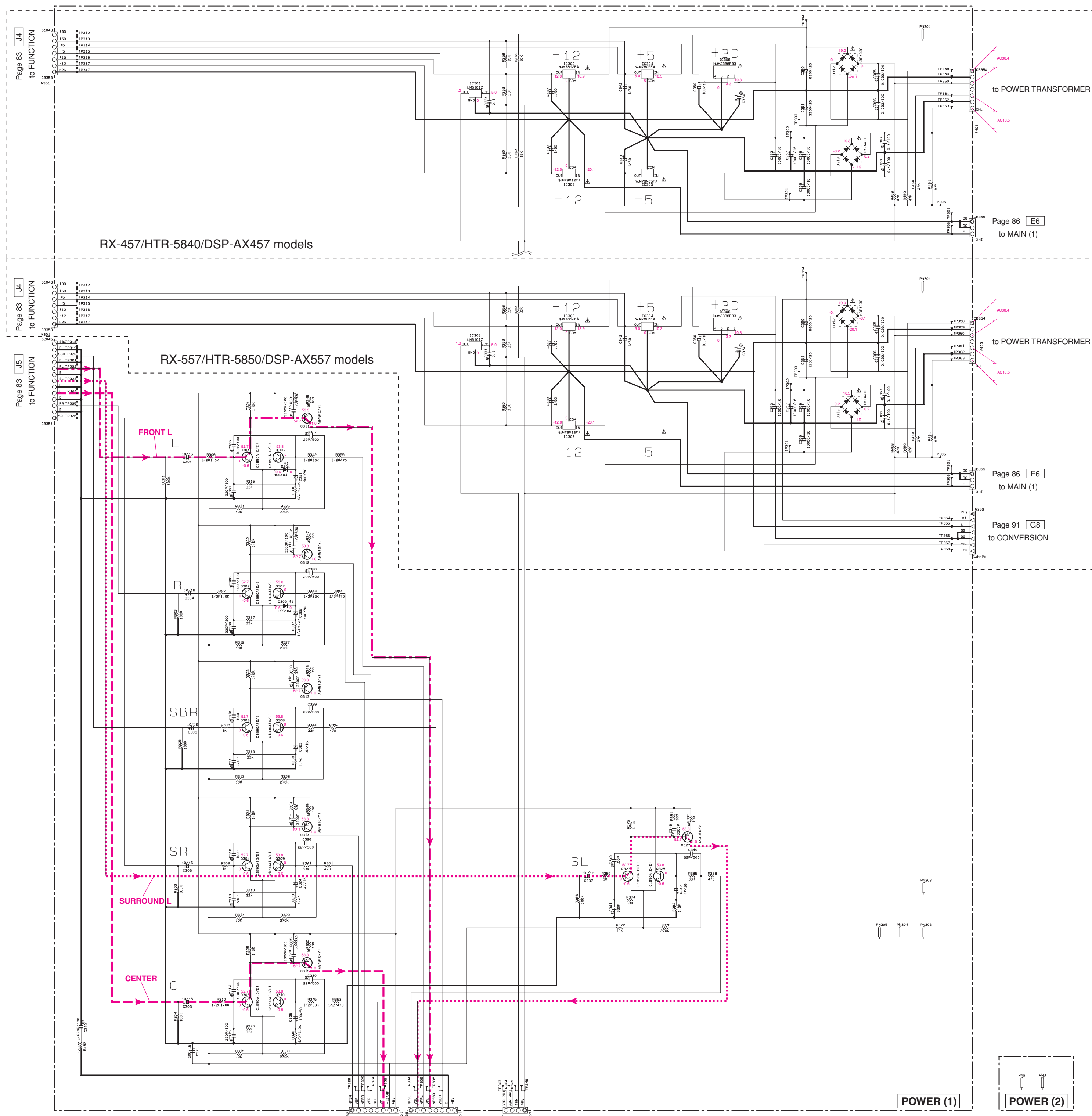
IC801: M66003-0101FP
FL Display Driver



HTR-5850: Page 89 [H9]
 RX-V457/HTR-5840/DSP-AX457: Page 90 [H9]
 to SUBTR (2)
 Page 83 [J3]
 to FUNCTION

* All voltages are measured with a 10MΩ/V DC electronic volt meter.
 * 電圧は、内部抵抗10MΩの電圧計で測定したものです。
 * !印のある部品は、安全性確保部品を示しています。部品の交換が必要な場合、パーツリストに記載されている部品を使用してください。
 * 本回路図は標準回路図です。改良のため予告なく変更することがございます。

■ SCHEMATIC DIAGRAM (POWER)



RESISTOR

REMARKS	PARTS NAME
NO MARK	CARBON FILM RESISTOR (P=91)
□	CARBON FILM RESISTOR (P=90)
△	METAL OXIDE FILM RESISTOR
○	METAL FILM RESISTOR
◇	METAL PLATE RESISTOR
■	FINE PITCH CARBON FILM RESISTOR
□	CHEMIST. METAL FILM RESISTOR
○	SEMI-VARIABLE RESISTOR
○	LODIP RESISTOR

Interchangeable Parts at Manufacture-Stage

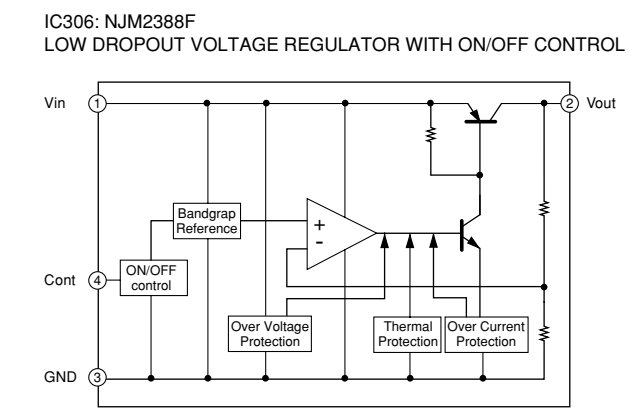
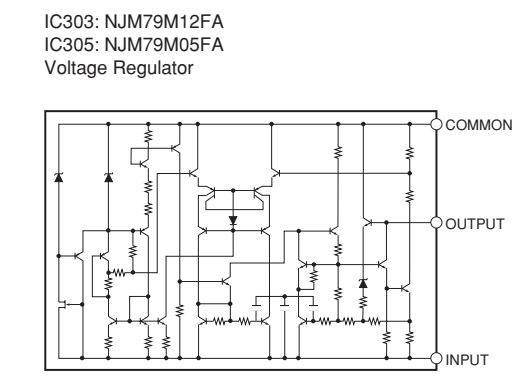
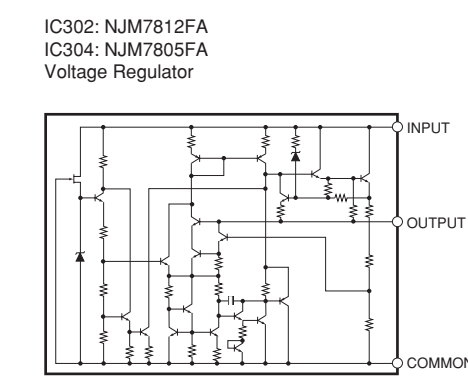
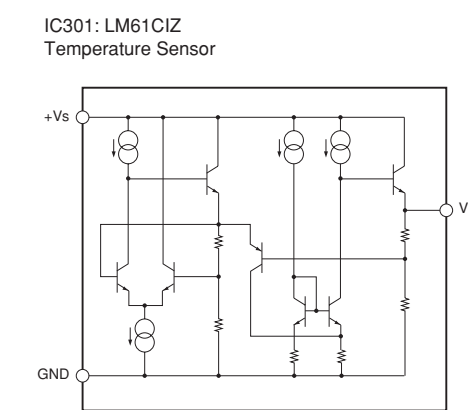
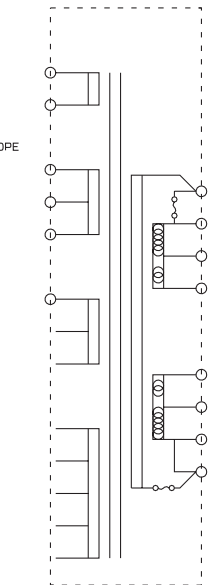
Part No.	Interchangeable Part No.	Part Name
41	40A-302	10000
		10000
		10000

CAPACITOR

REMARKS	PARTS NAME
NO MARK	ELECTROLYTIC CAPACITOR
○	TANTALUM CAPACITOR
NO MARK	CERAMIC CAPACITOR
●	CERAMIC TUBULAR CAPACITOR
○	POLYESTER FILM CAPACITOR
○	POLYSTYRENE FILM CAPACITOR
○	POLYPROPYLENE FILM CAPACITOR
○	SEMICONDUCTIVE CERAMIC CAPACITOR
○	POLYETHYLENE SULFIDE FILM CAPACITOR

NOTICE (note1)

J..... JAPAN
 U..... U.S.A.
 C..... CANADA
 □..... GENERAL
 T..... CHINA
 K..... KOREA
 A..... AUSTRALIA
 B..... BRITAIN
 O..... EUROPE
 L..... SINGAPORE
 E..... SOUTH EUROPE
 V..... TAIWAN



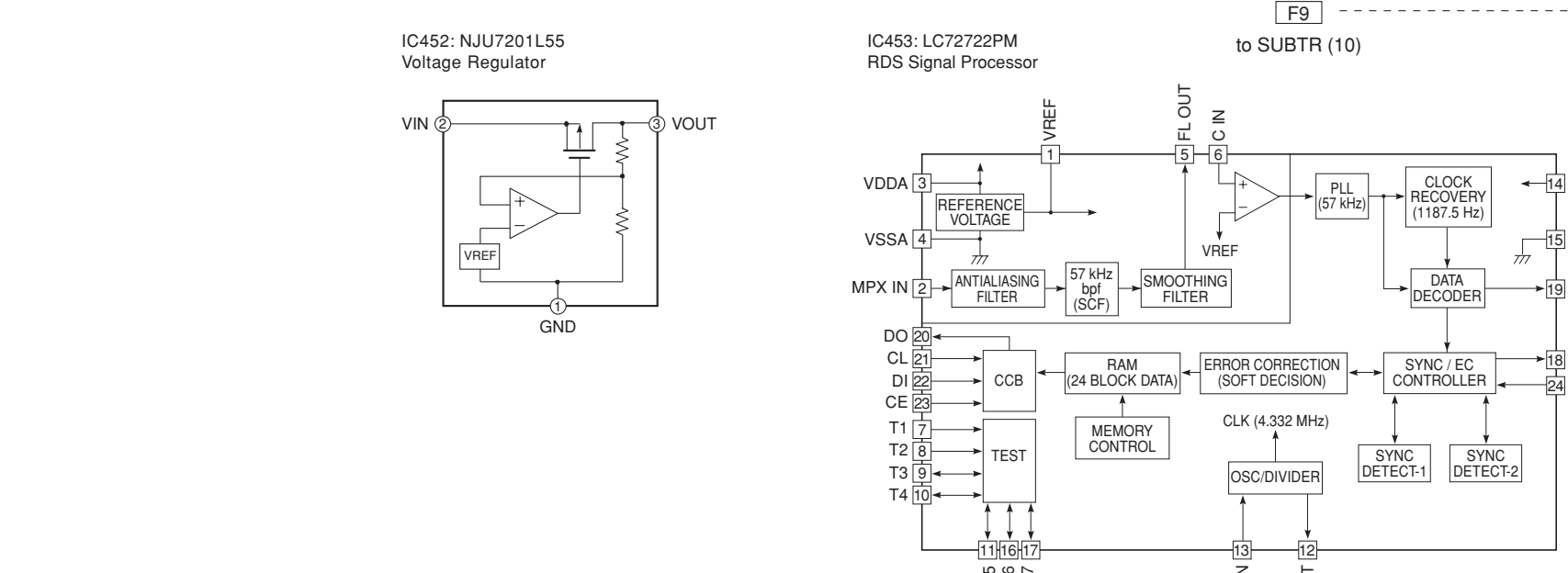
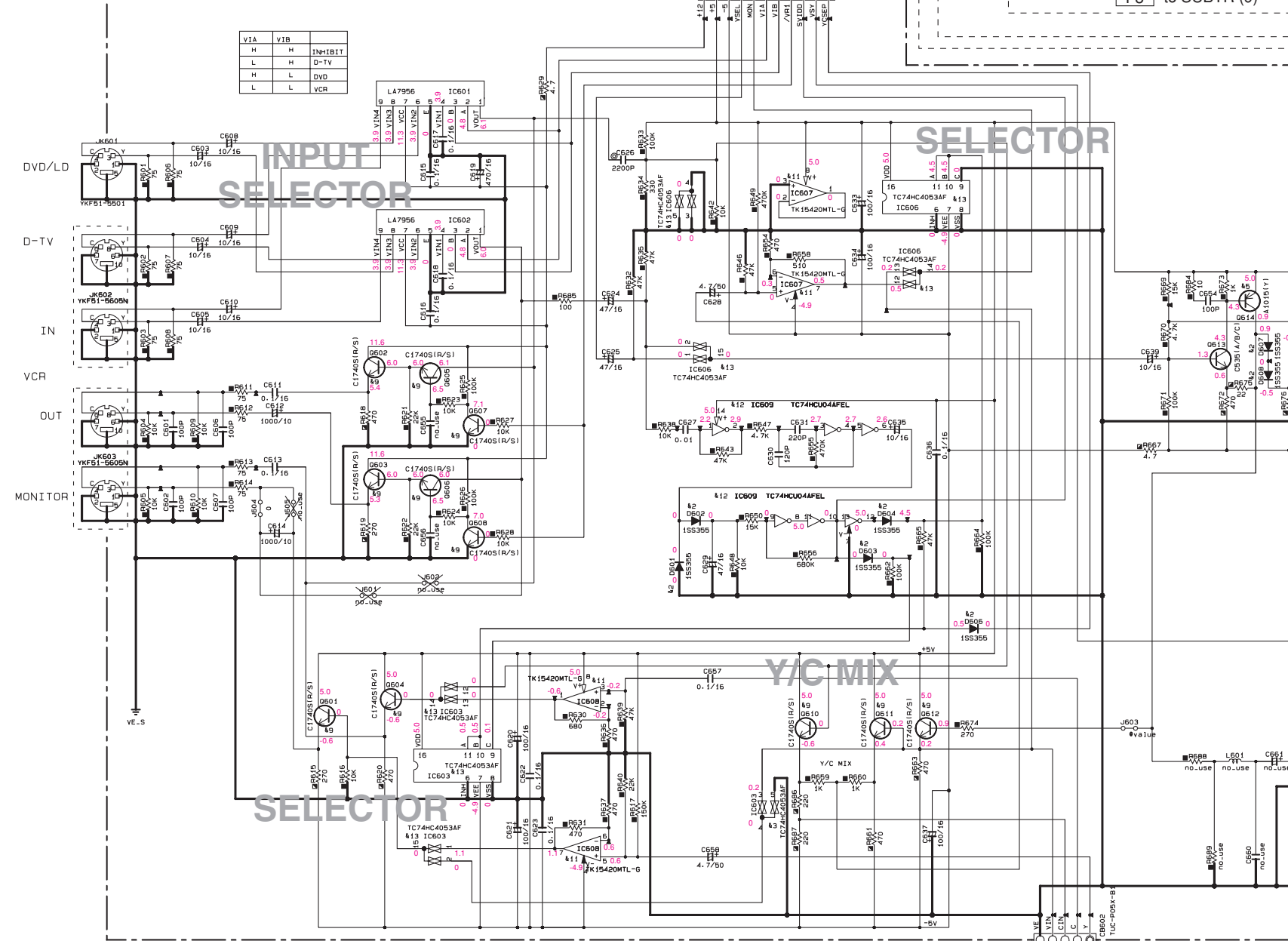
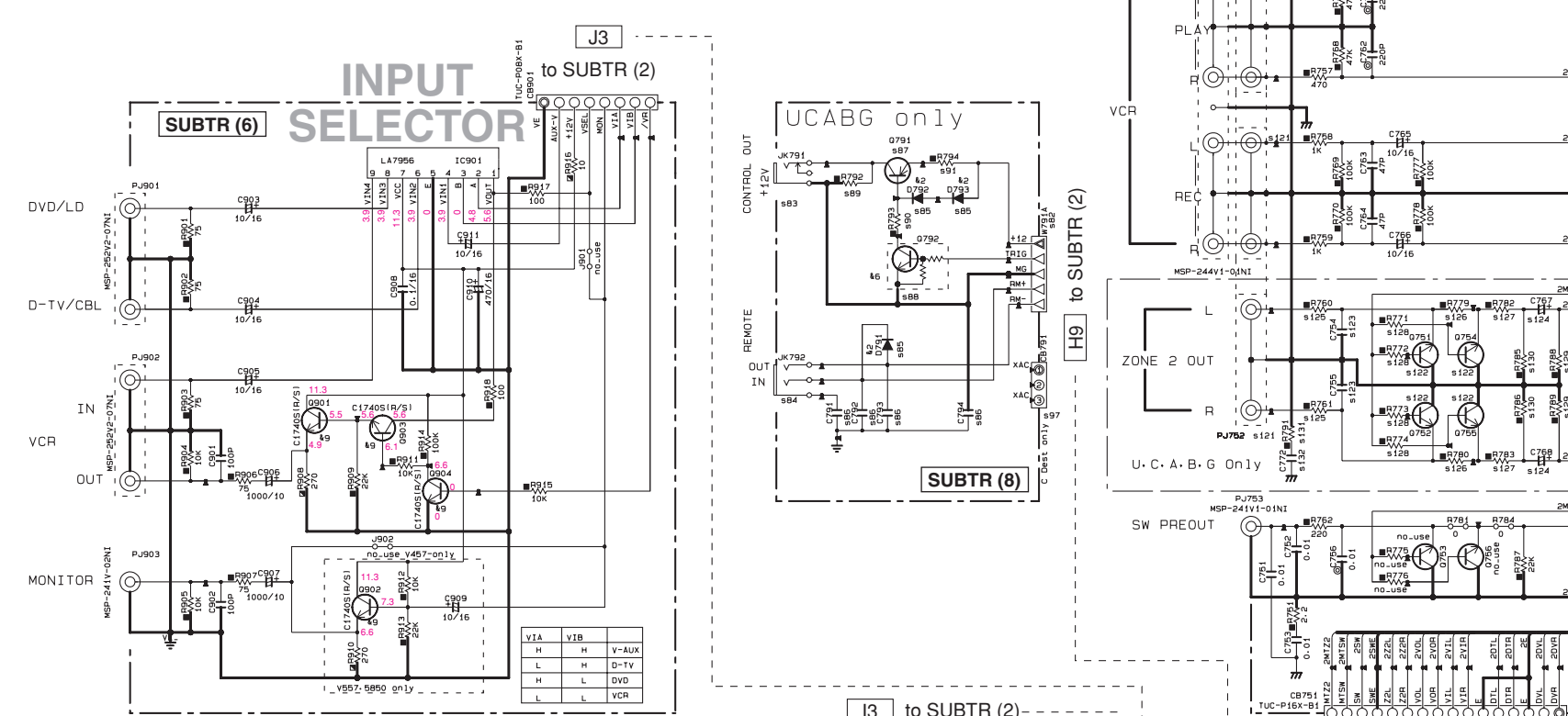
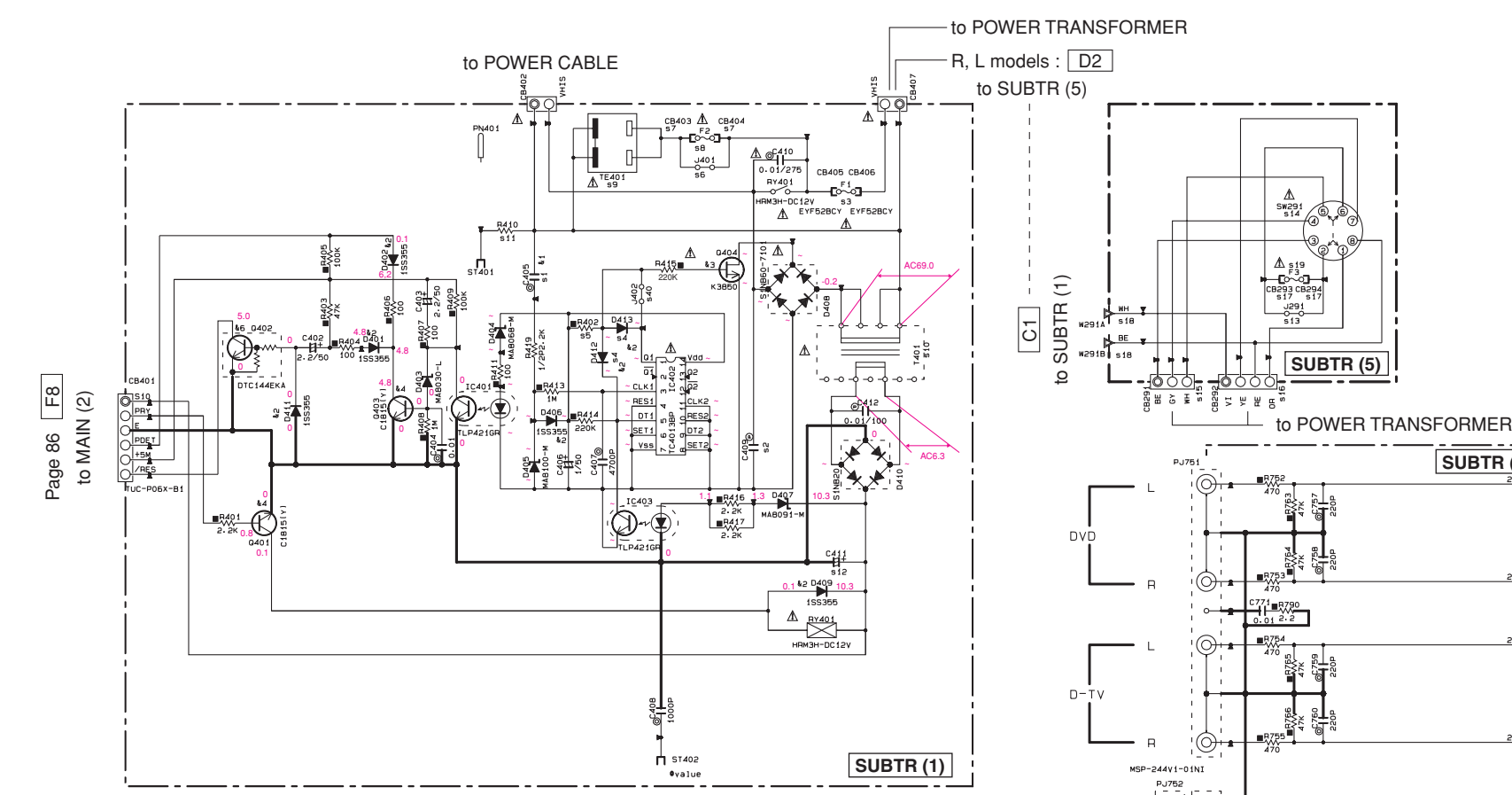
Page 86 [A4] Page 86 [A4] Page 86 [A1]
to MAIN (1) to MAIN (1) to MAIN (1)

POWER (1)

POWER (2)

★ All voltages are measured with a 10MΩ/V DC electronic volt meter.
 ★ Components having special characteristics are marked with a dot, and must be replaced with parts having specifications equal to those originally installed.
 ★ Schematic diagram is subject to change without notice.

★ 電圧は、内部抵抗10MΩの電圧計で測定したものです。
 ★ 点印のある部品は、安全性確保部品を示しています。部品の交換が必要な場合、パーツリストに記載されている部品を使用してください。
 ★ 本回路図は標準回路図です。改良のため予告なく変更することがございます。



Interchangeable Parts at Manufacture Stage

Part No.	Reference Number	Part Name	QTY	Part No.	Reference Number	Part Name	QTY
A1	C40	RES	1	A1	C40	RES	1
A2	C40	RES	1	A2	C40	RES	1
A3	C40	RES	1	A3	C40	RES	1
A4	C40	RES	1	A4	C40	RES	1
A5	C40	RES	1	A5	C40	RES	1

Destination Part List (RDS)

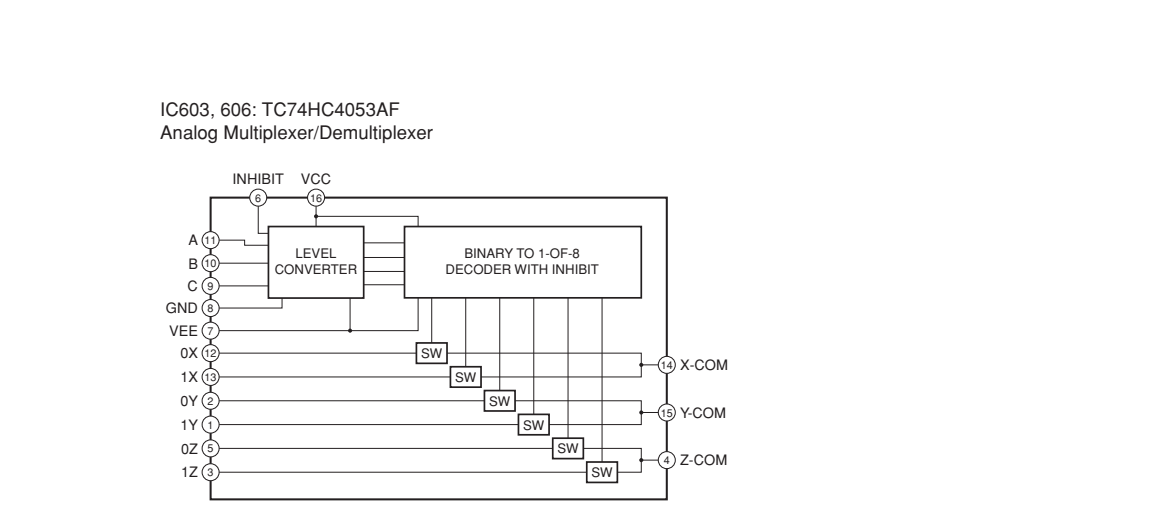
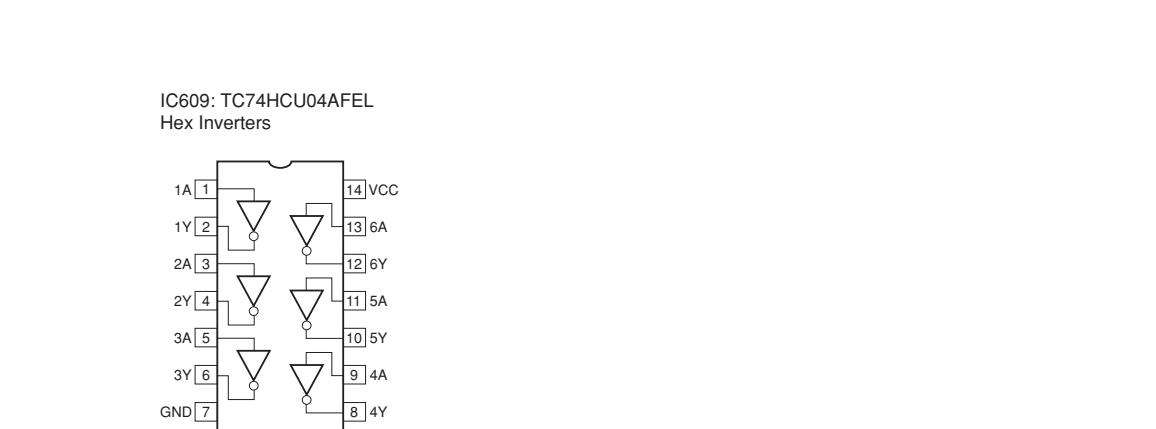
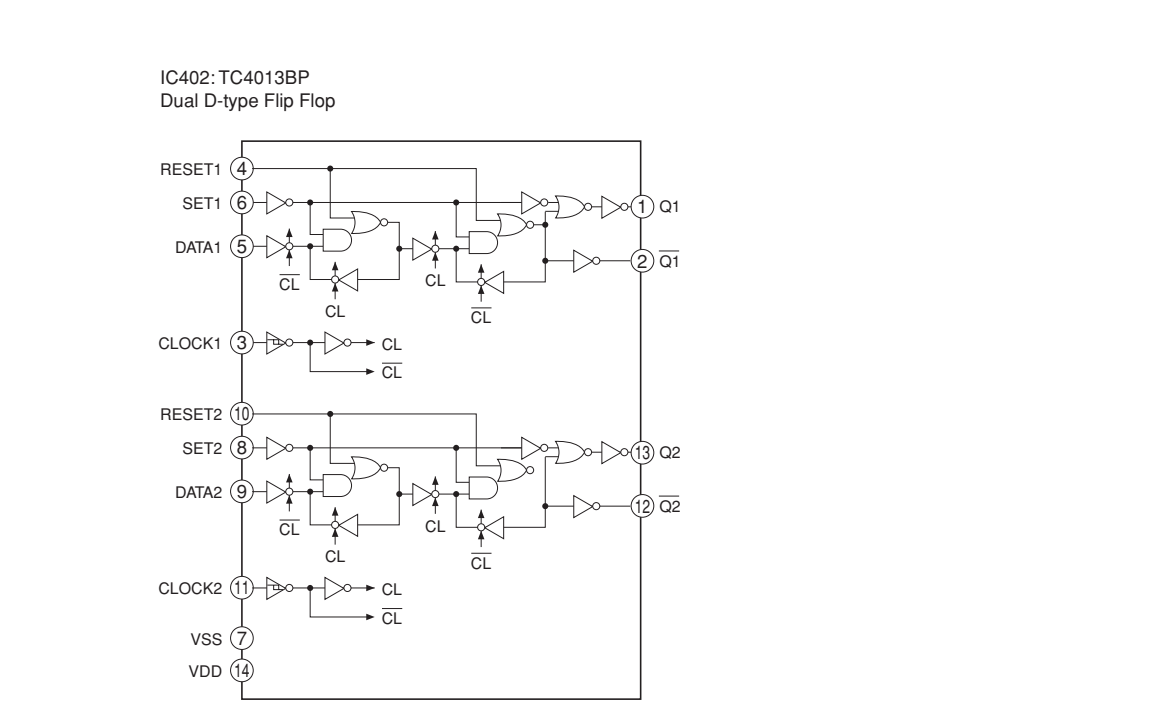
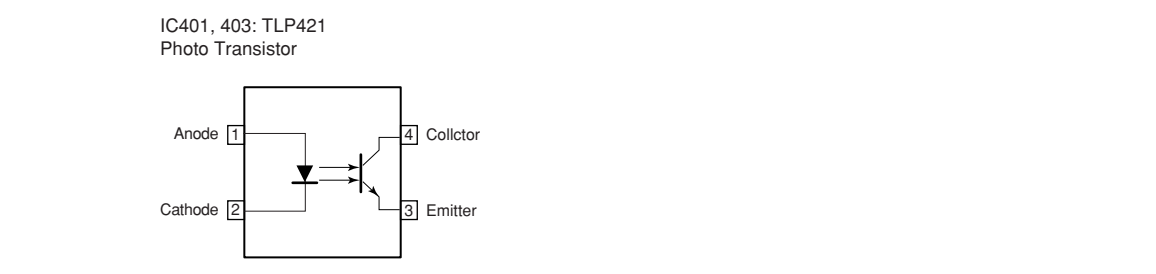
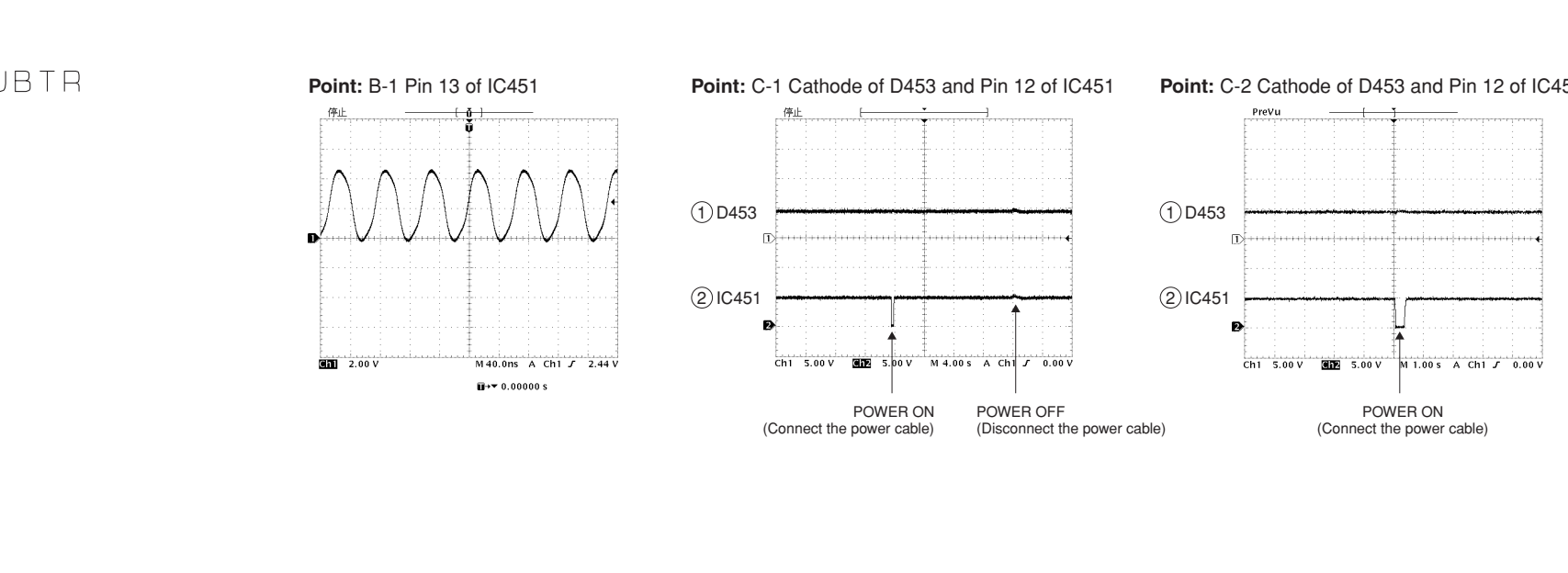
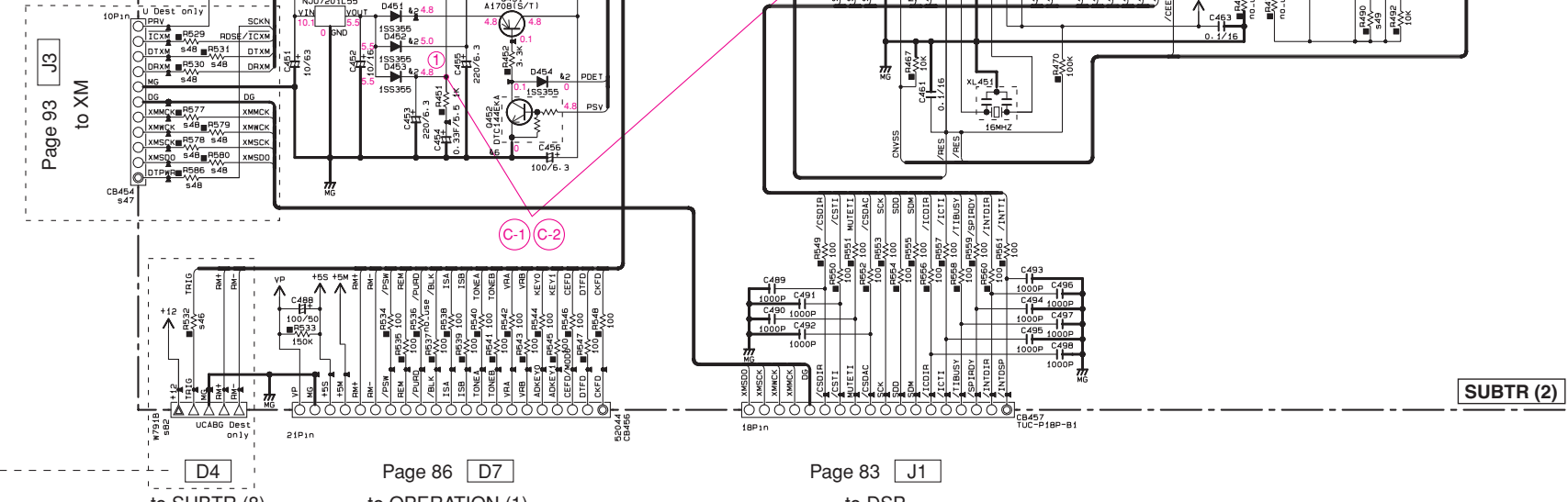
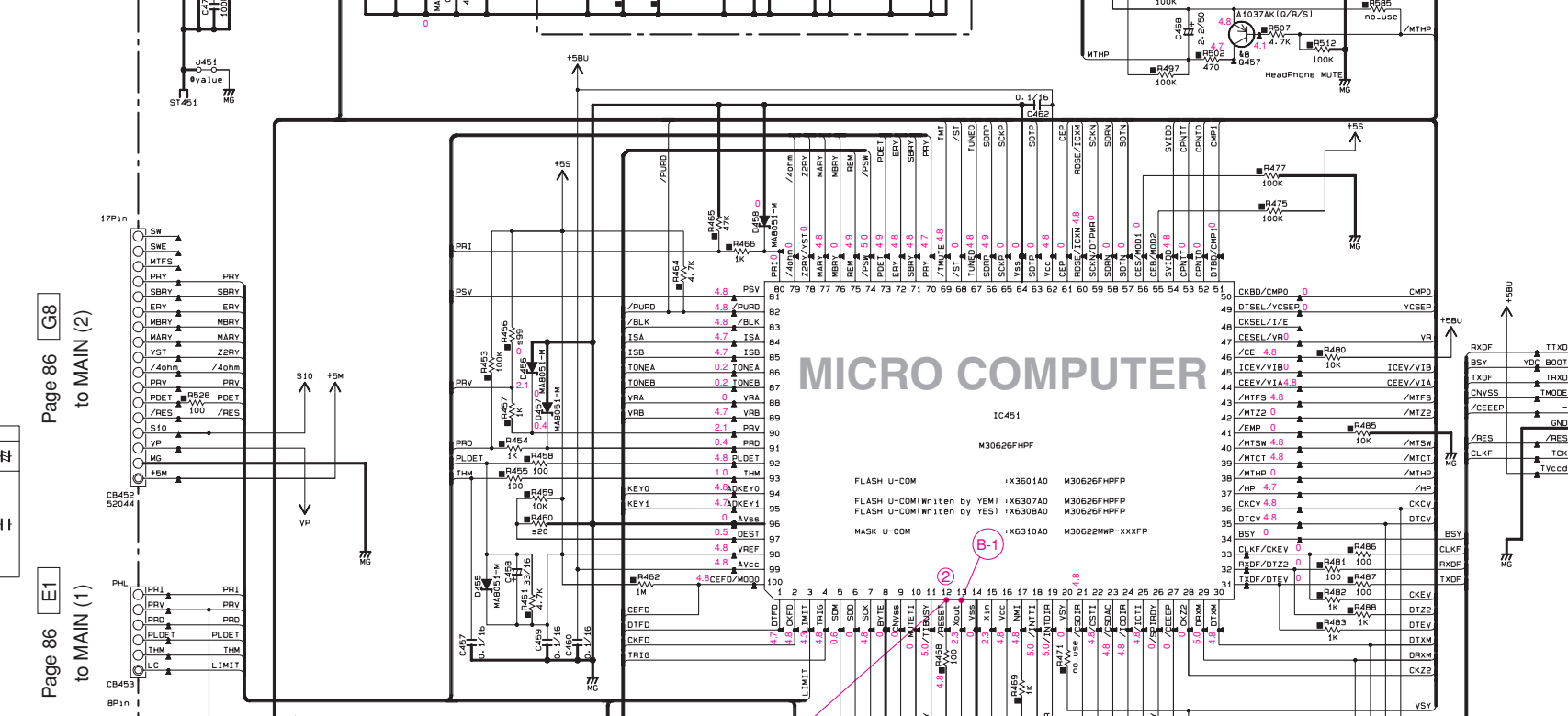
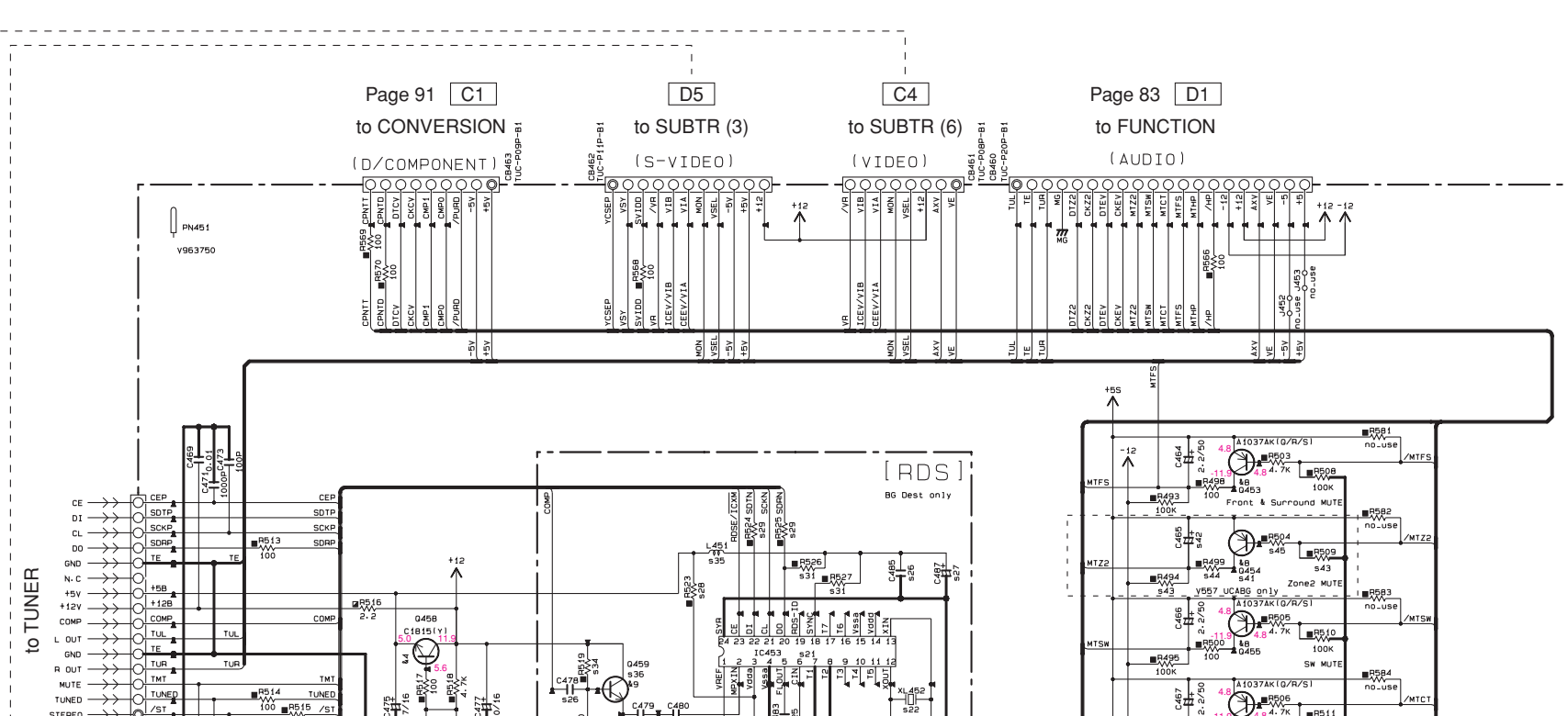
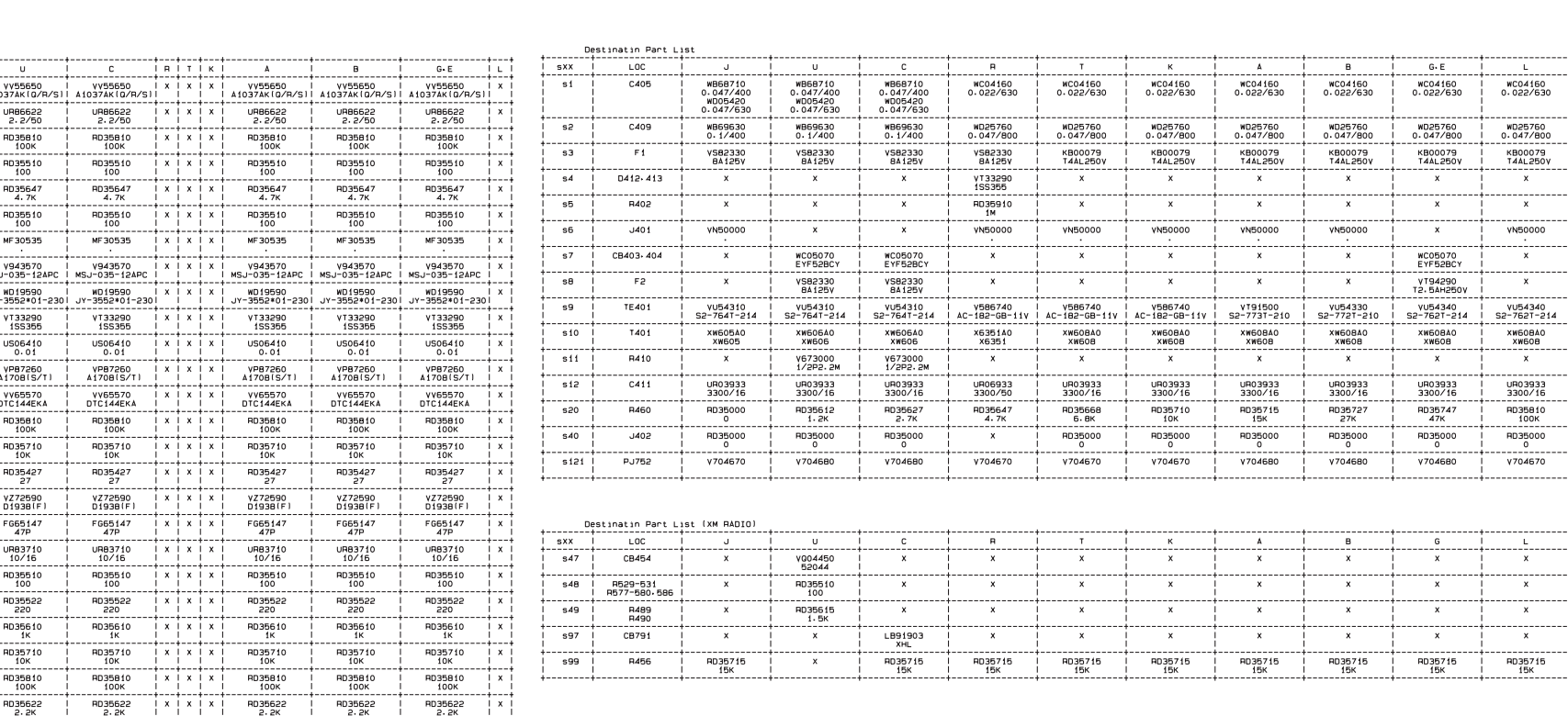
Part No.	Reference Number	Part Name	QTY	Part No.	Reference Number	Part Name	QTY
A1	C40	RES	1	A1	C40	RES	1
A2	C40	RES	1	A2	C40	RES	1
A3	C40	RES	1	A3	C40	RES	1
A4	C40	RES	1	A4	C40	RES	1
A5	C40	RES	1	A5	C40	RES	1

NOTICE (RDS only)

RESISTOR

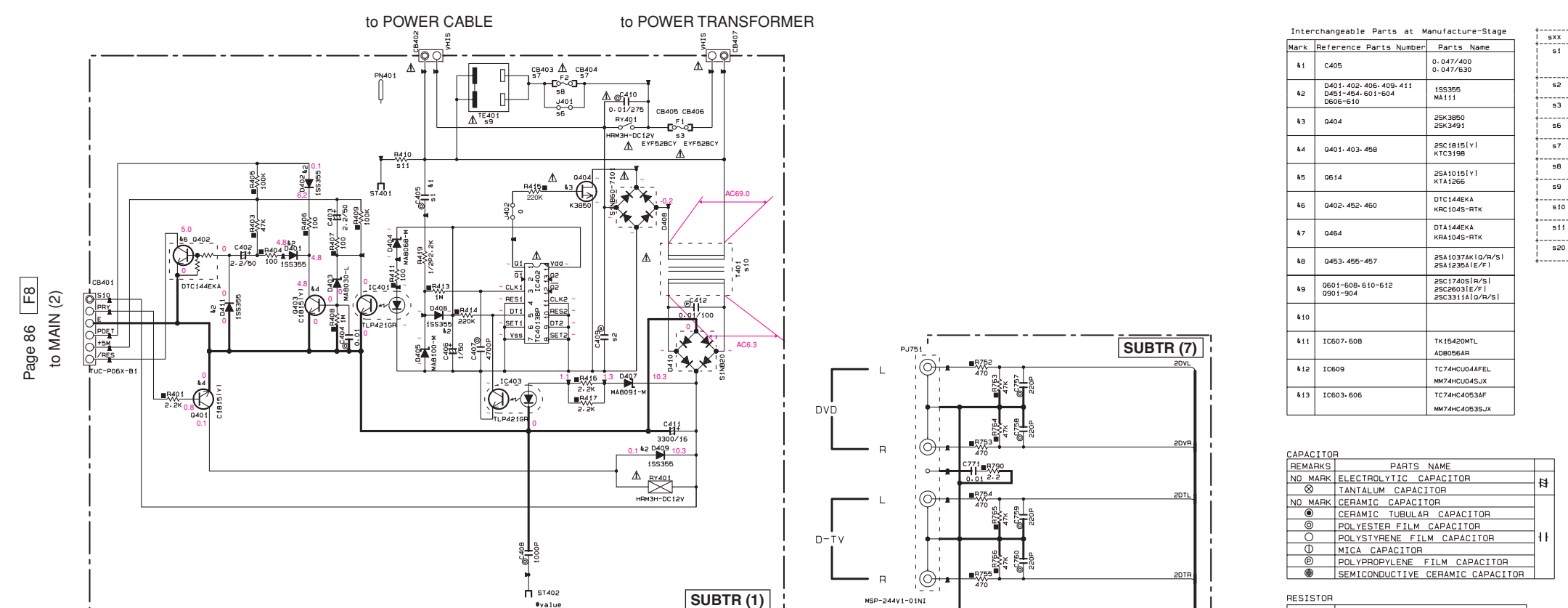
CAPACITOR

IC601, 602, 901: LA7956 Video Switch



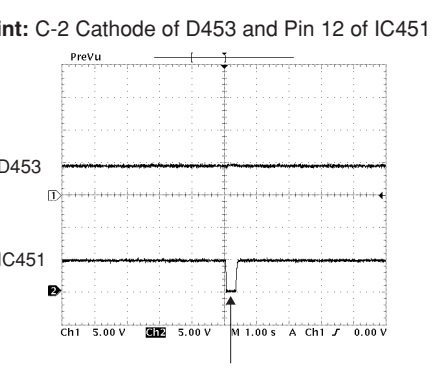
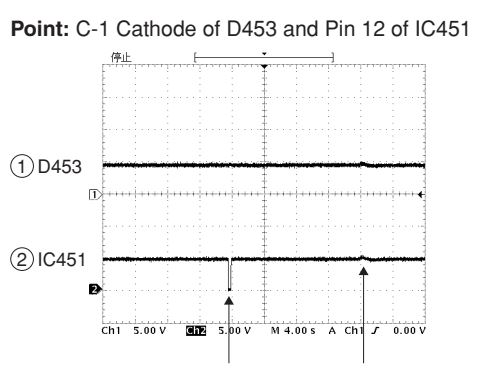
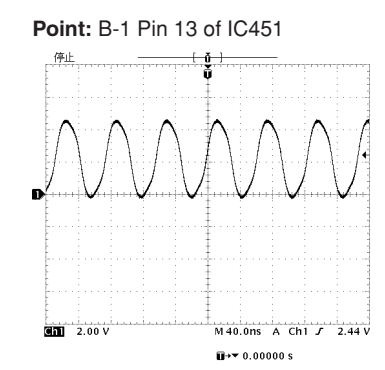
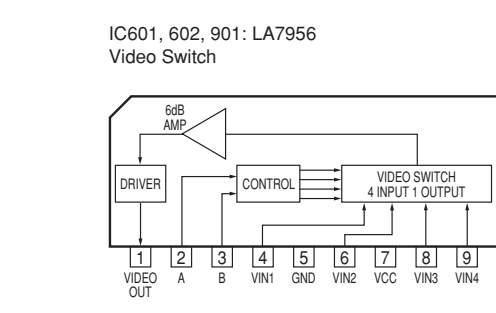
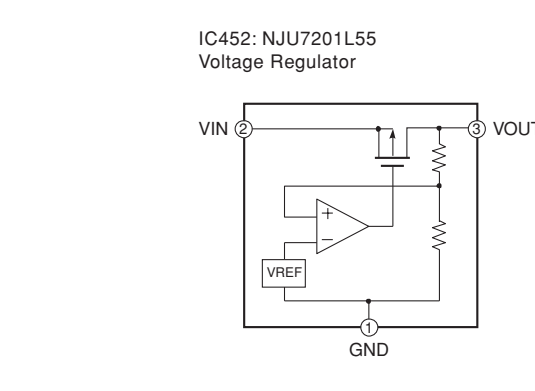
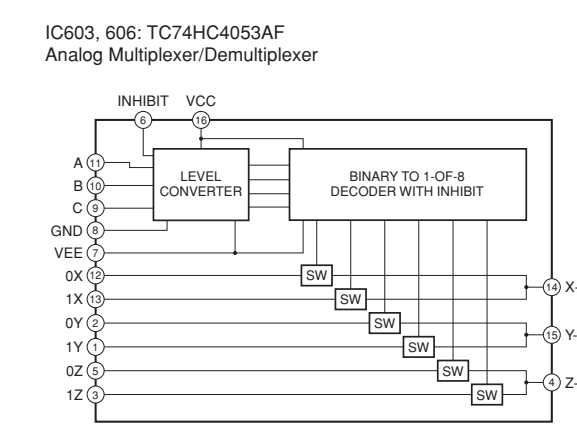
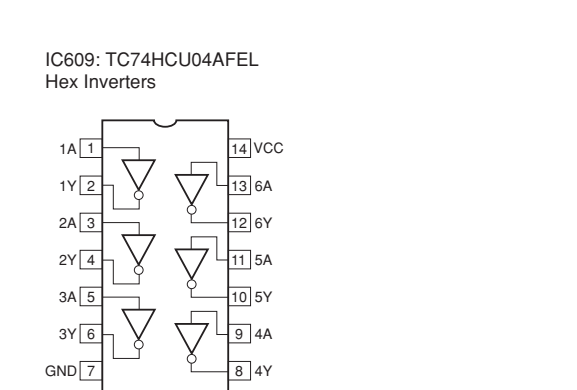
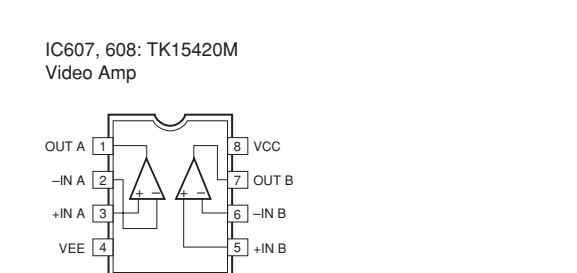
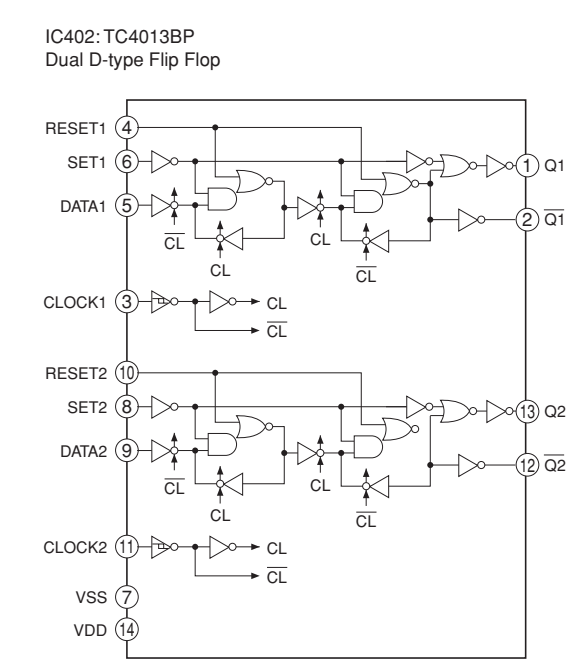
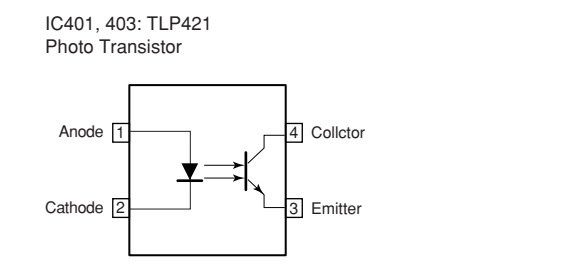
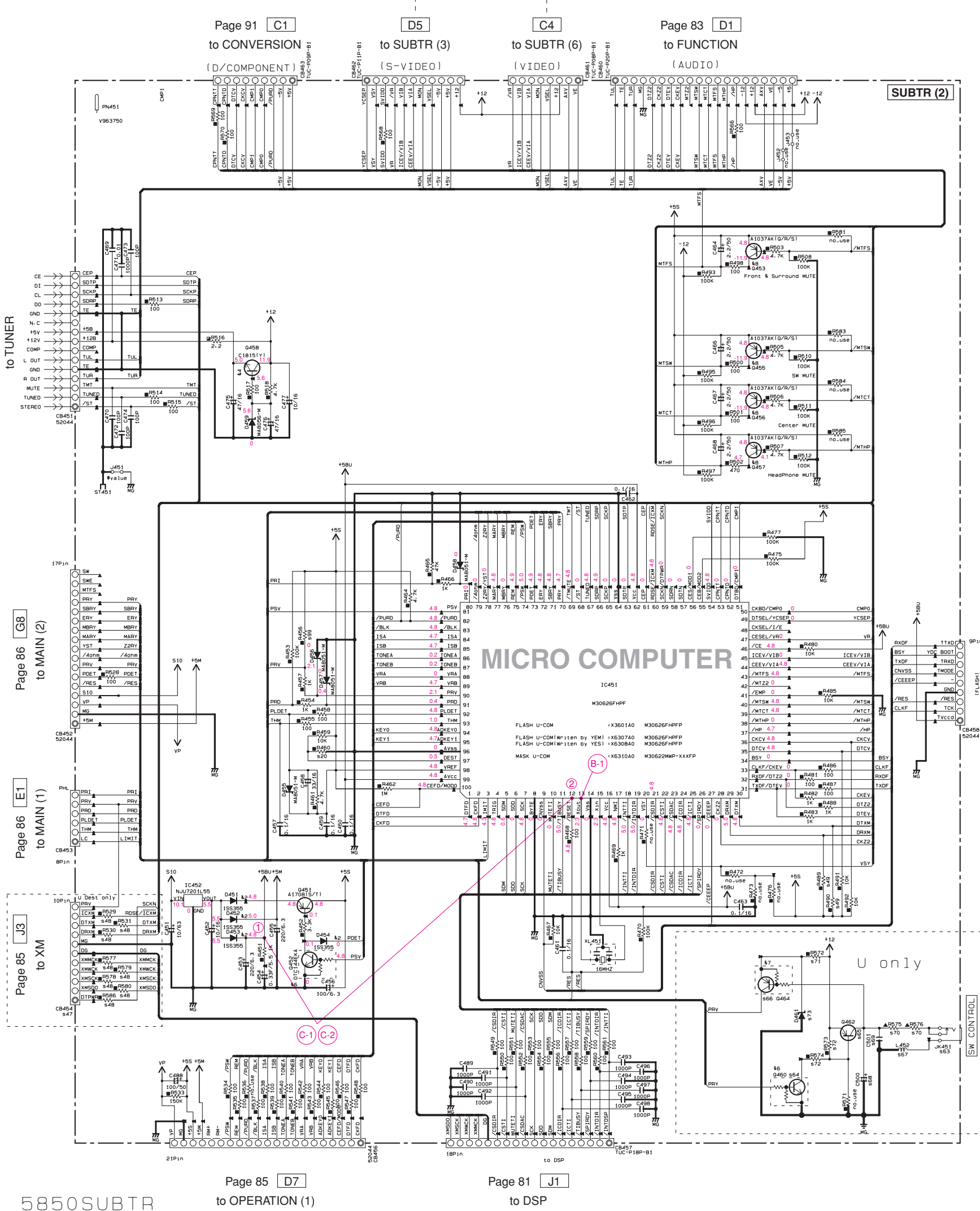
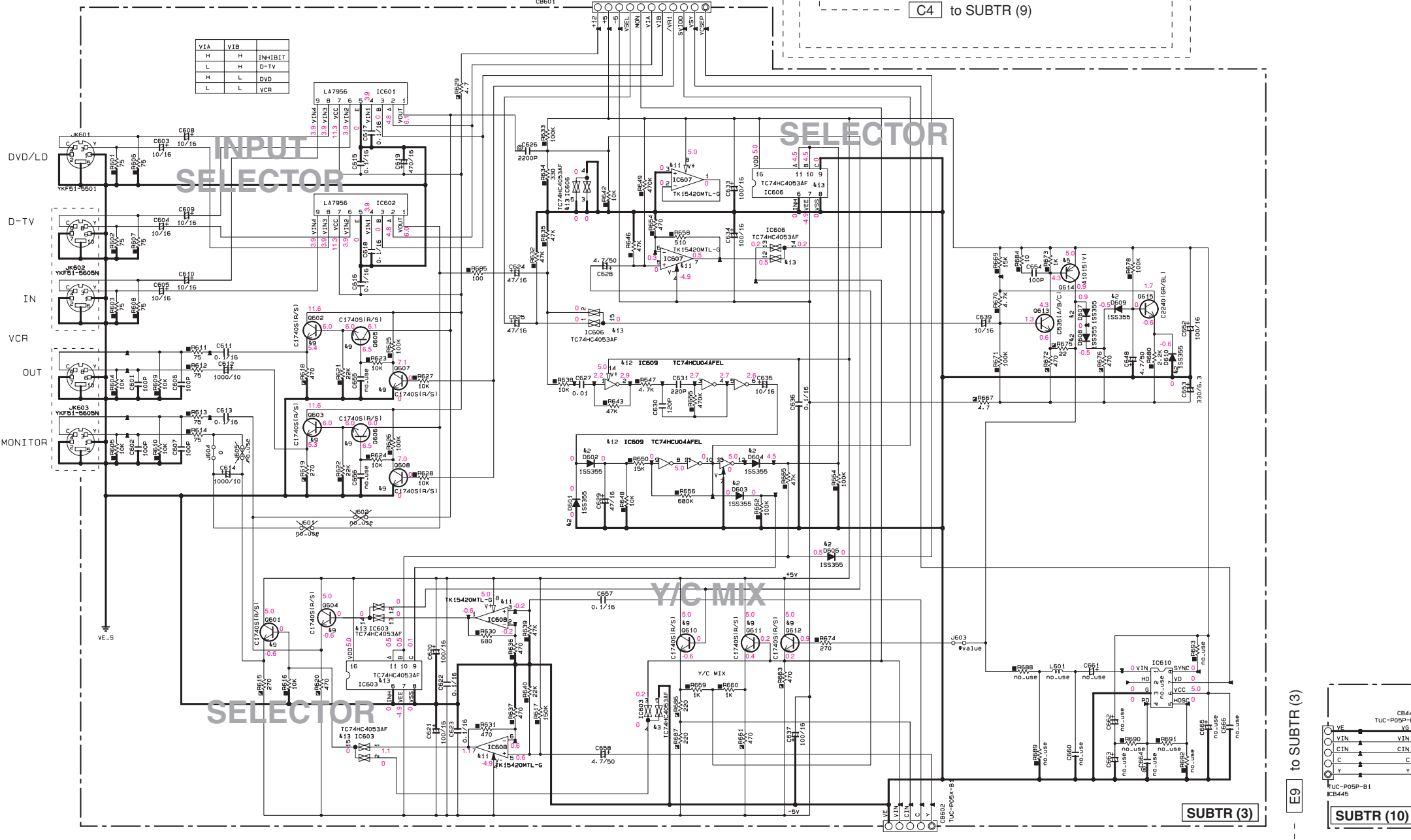
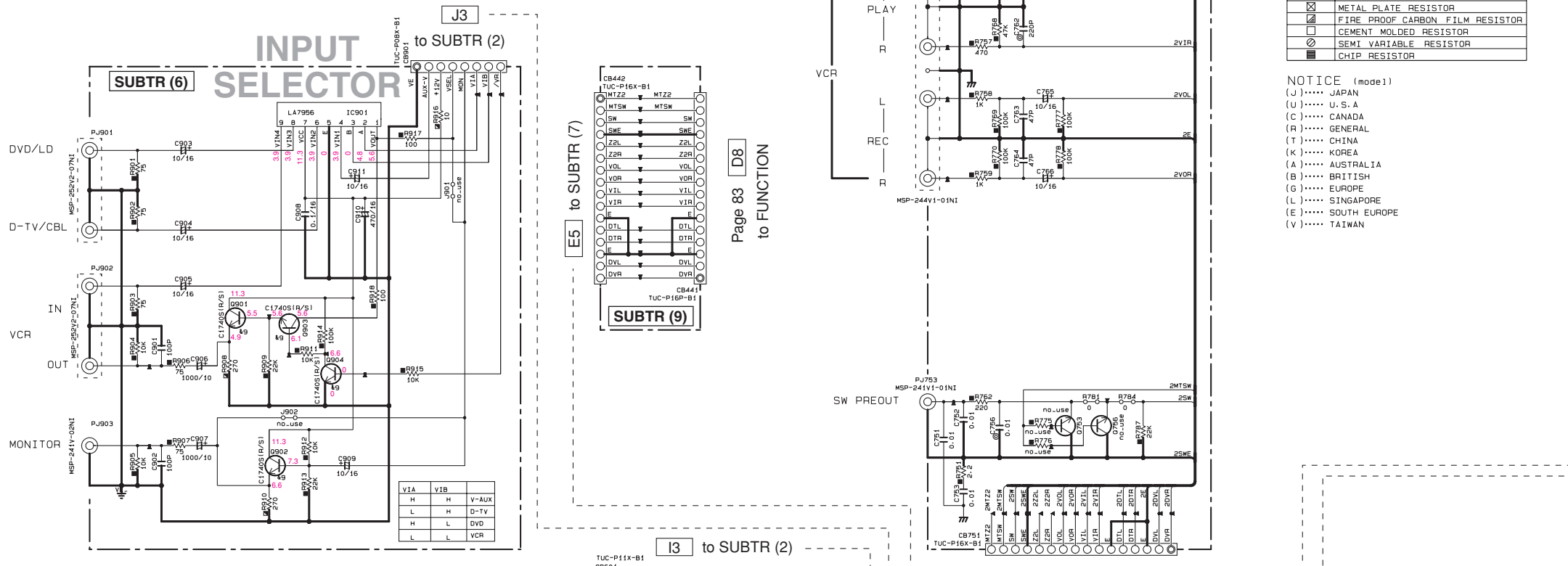
* All voltages are measured with a 10MΩ/V DC electronic volt meter.
* Components having special characteristics are marked with a star and must be replaced with parts having specifications equal to those originally installed.
* Schematic diagram is subject to change without notice.

* 電圧は、内部抵抗10MΩの電圧計で測定したものです。
* 1印のある部品は、安全性確保部品を示しています。部品の交換が必要な場合、パーツリストに記載されている部品を使用してください。
* 本回路図は標準回路図です。改良のため予告なく変更することがございます。



Part No.	Reference Part No.	Part Name	QTY
41	C405	0.547μF 50V	1
42	D401-402-403-404-411	1SS300	1
43	D405	1N4148	1
44	D401-403-404	2C2108N(1)	1
45	D414	2C2108N(1)	1
46	D405-406-407	2C2108N(1)	1
47	D405-406-407	2C2108N(1)	1
48	D405-406-407	2C2108N(1)	1
49	D405-406-407	2C2108N(1)	1
50	D405-406-407	2C2108N(1)	1
51	D405-406-407	2C2108N(1)	1
52	D405-406-407	2C2108N(1)	1
53	D405-406-407	2C2108N(1)	1
54	D405-406-407	2C2108N(1)	1
55	D405-406-407	2C2108N(1)	1
56	D405-406-407	2C2108N(1)	1
57	D405-406-407	2C2108N(1)	1
58	D405-406-407	2C2108N(1)	1
59	D405-406-407	2C2108N(1)	1
60	D405-406-407	2C2108N(1)	1
61	D405-406-407	2C2108N(1)	1
62	D405-406-407	2C2108N(1)	1
63	D405-406-407	2C2108N(1)	1
64	D405-406-407	2C2108N(1)	1
65	D405-406-407	2C2108N(1)	1
66	D405-406-407	2C2108N(1)	1
67	D405-406-407	2C2108N(1)	1
68	D405-406-407	2C2108N(1)	1
69	D405-406-407	2C2108N(1)	1
70	D405-406-407	2C2108N(1)	1
71	D405-406-407	2C2108N(1)	1
72	D405-406-407	2C2108N(1)	1
73	D405-406-407	2C2108N(1)	1
74	D405-406-407	2C2108N(1)	1
75	D405-406-407	2C2108N(1)	1
76	D405-406-407	2C2108N(1)	1
77	D405-406-407	2C2108N(1)	1
78	D405-406-407	2C2108N(1)	1
79	D405-406-407	2C2108N(1)	1
80	D405-406-407	2C2108N(1)	1
81	D405-406-407	2C2108N(1)	1
82	D405-406-407	2C2108N(1)	1
83	D405-406-407	2C2108N(1)	1
84	D405-406-407	2C2108N(1)	1
85	D405-406-407	2C2108N(1)	1
86	D405-406-407	2C2108N(1)	1
87	D405-406-407	2C2108N(1)	1
88	D405-406-407	2C2108N(1)	1
89	D405-406-407	2C2108N(1)	1
90	D405-406-407	2C2108N(1)	1
91	D405-406-407	2C2108N(1)	1
92	D405-406-407	2C2108N(1)	1
93	D405-406-407	2C2108N(1)	1
94	D405-406-407	2C2108N(1)	1
95	D405-406-407	2C2108N(1)	1
96	D405-406-407	2C2108N(1)	1
97	D405-406-407	2C2108N(1)	1
98	D405-406-407	2C2108N(1)	1
99	D405-406-407	2C2108N(1)	1
100	D405-406-407	2C2108N(1)	1

- CAPACITOR**
- REMARKS: PARTS NAME
- NO MARK ELECTROLYTIC CAPACITOR
 - TANTALUM CAPACITOR
 - NO MARK CERAMIC CAPACITOR
 - CERAMIC SUBSTRATE CAPACITOR
 - POLYESTER FILM CAPACITOR
 - CONDUCTIVE FILM CAPACITOR
 - MICA CAPACITOR
 - NON-POLYMER FILM CAPACITOR
 - SEMICONDUCTIVE CERAMIC CAPACITOR
- RESISTOR**
- REMARKS: PARTS NAME
- NO MARK CARBON FILM RESISTOR (HP=1)
 - CARBON FILM RESISTOR (HP=10)
 - METAL OXIDE FILM RESISTOR
 - METAL FILM RESISTOR
 - FLAME PROOF CARBON FILM RESISTOR
 - CEMENT MOLDED RESISTOR
 - SEMICONDUCTIVE FILM RESISTOR
 - CHIP RESISTOR
- NOTICE (code)**
- (J) JAPAN
 - (U) U.S.A.
 - (C) CANADA
 - (R) GENERAL
 - (T) CHINA
 - (A) AUSTRALIA
 - (B) BRITISH
 - (E) EUROPE
 - (L) LONDON
 - (S) SOUTH EUROPE
 - (V) TAIWAN



* All voltages are measured with a 10MQ/V DC electronic volt meter.
 * Components having special characteristics are marked !, and must be replaced with parts having specifications equal to those originally installed.
 * Schematic diagram is subject to change without notice.

★ 電圧は、内部抵抗10MΩの電圧計で測定したものです。
 ★ !印のある部品は、特殊性を有する部品です。部品の交換が必要な場合、パーツリストに記載されている部品を使用してください。
 ★ 本回路図は標準回路図です。改良のため予告なく変更することがございます。

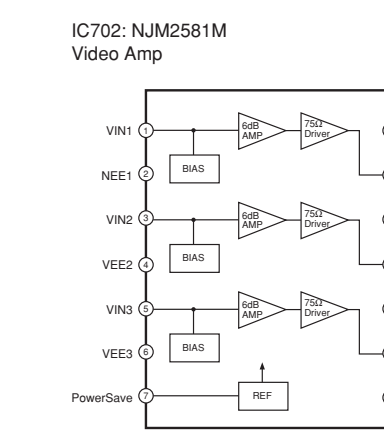
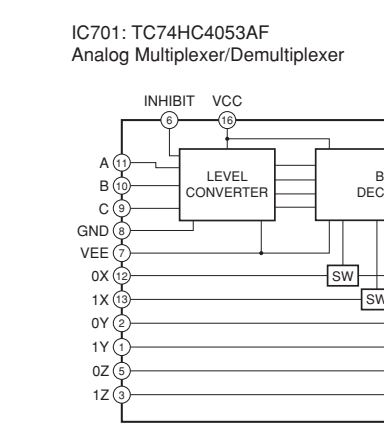
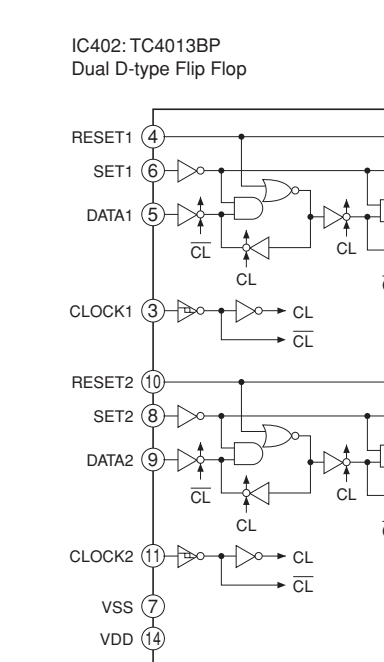
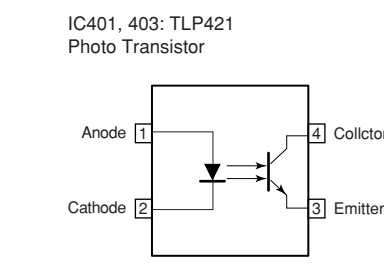
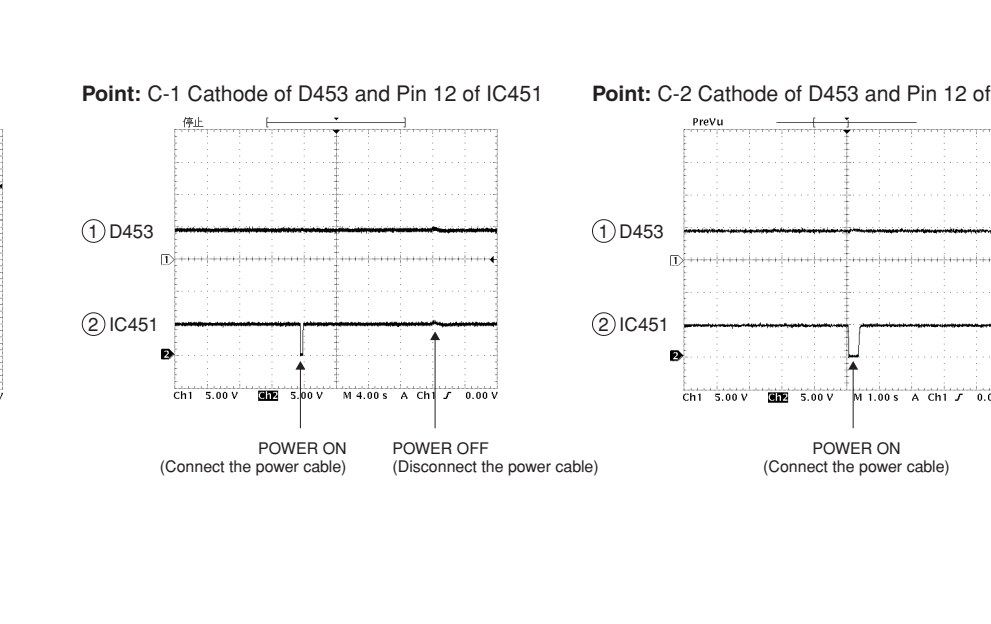
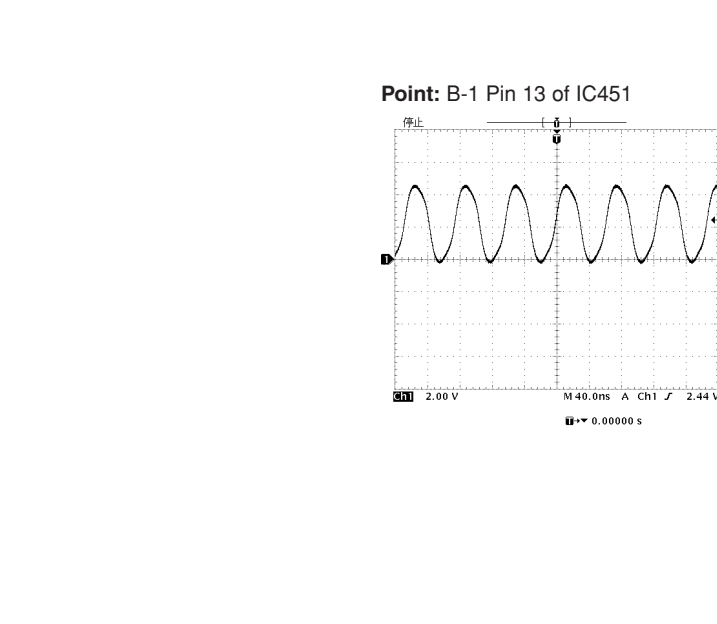
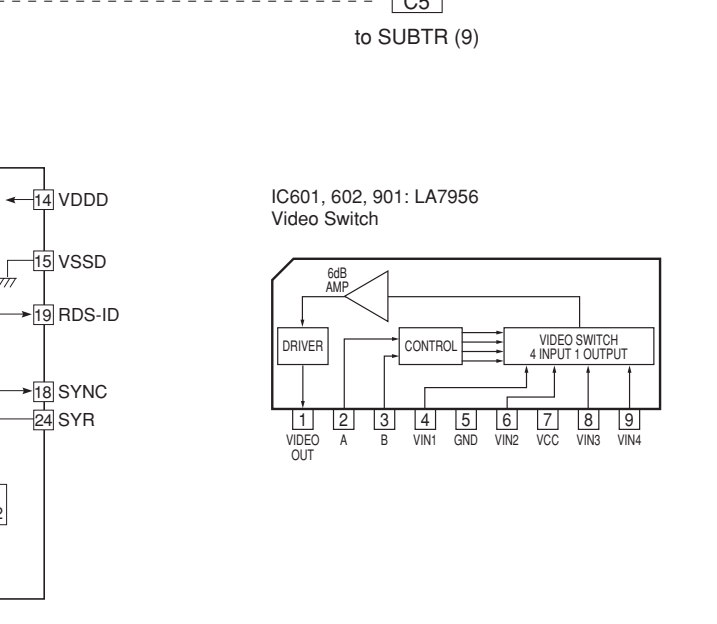
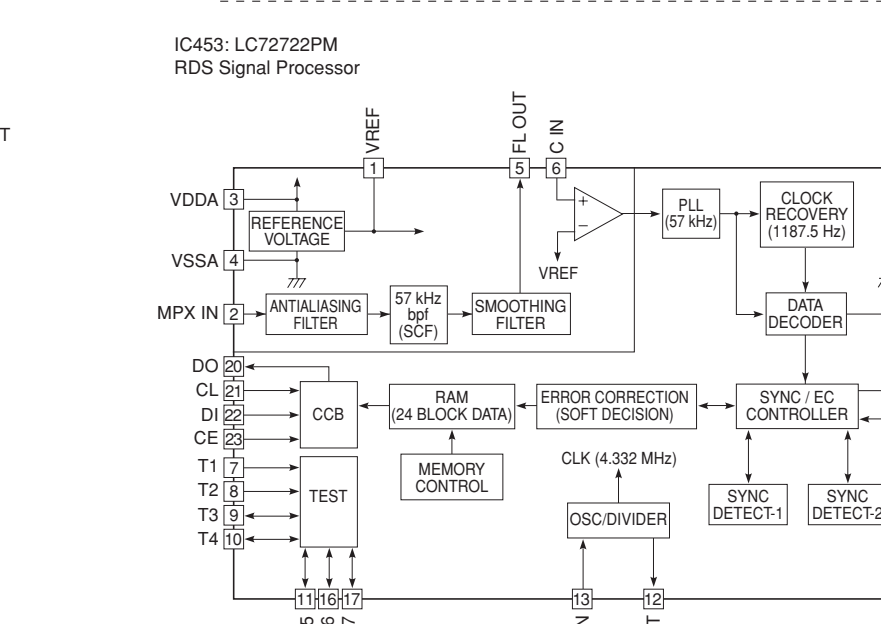
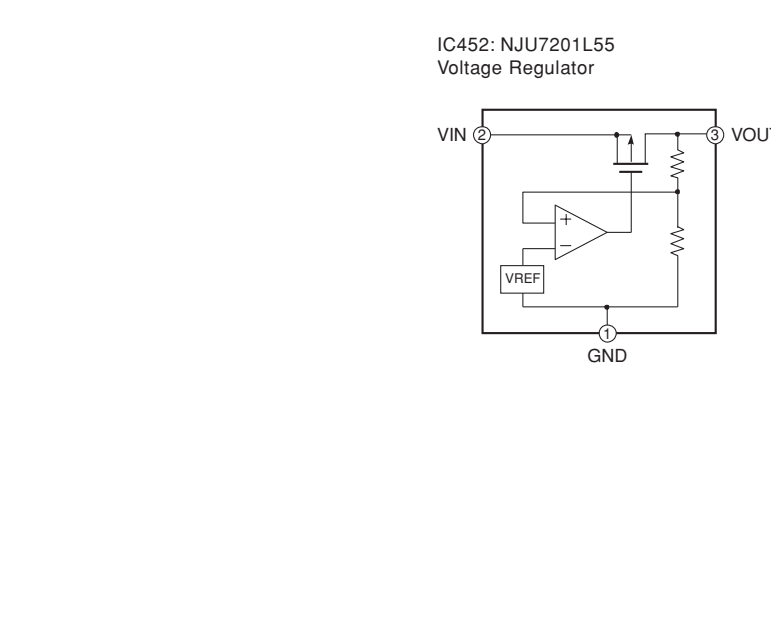
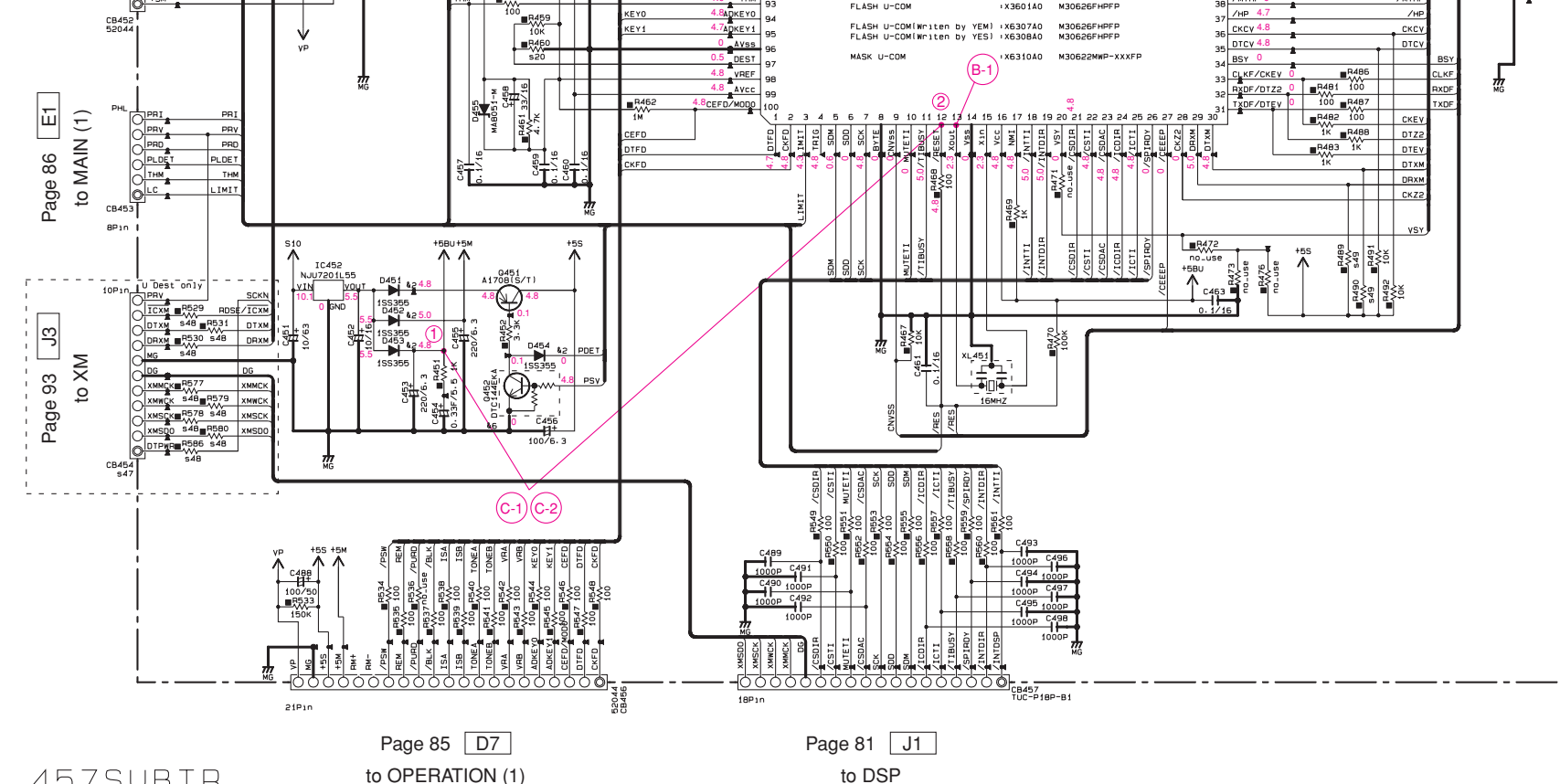
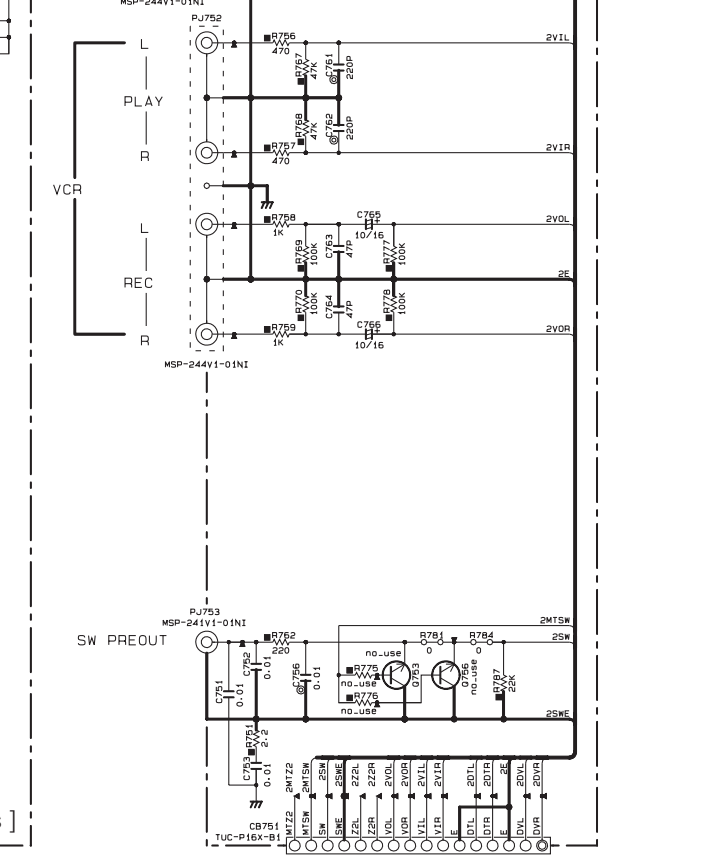
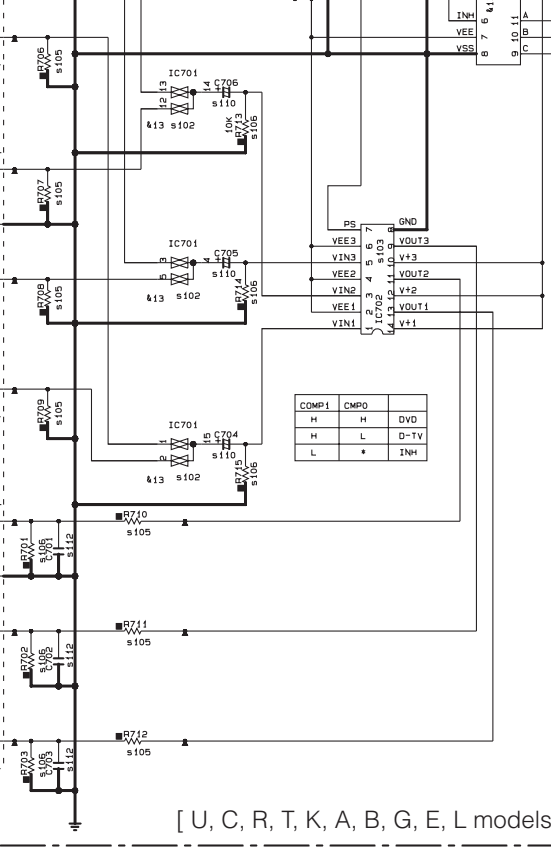
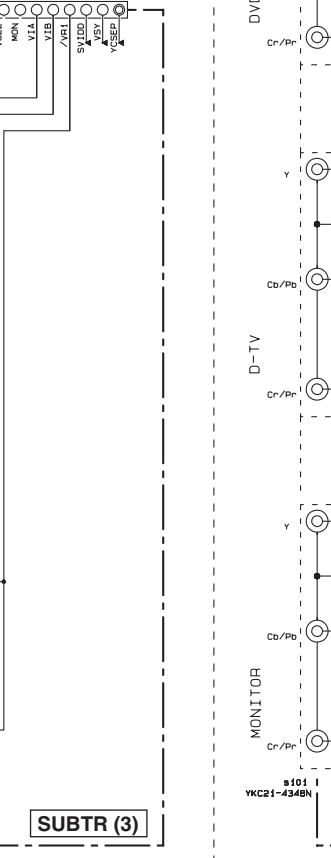
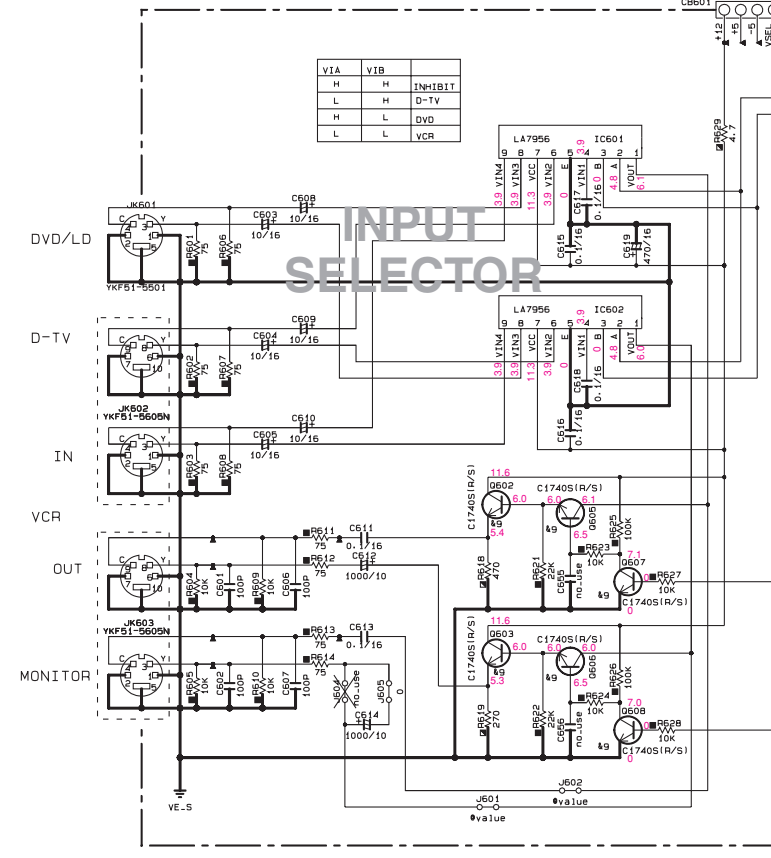
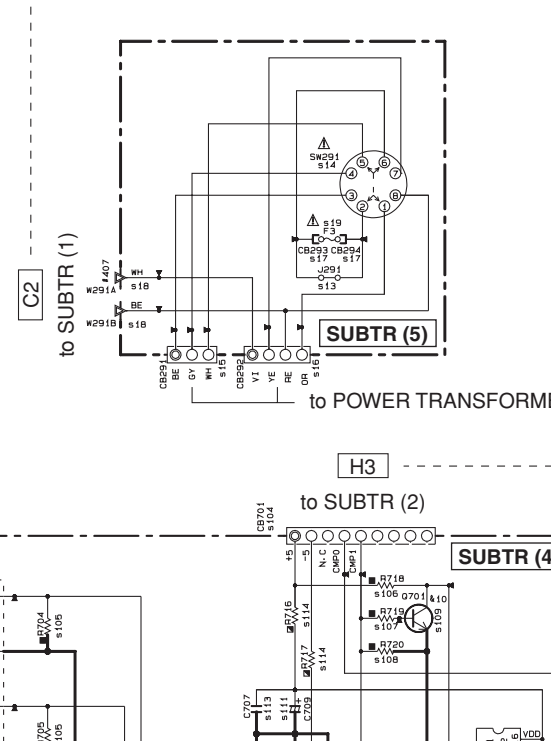
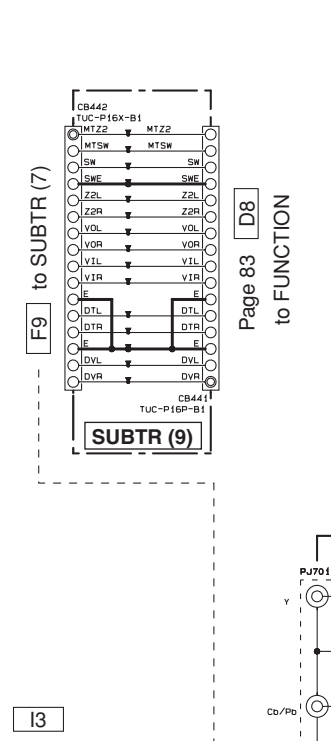
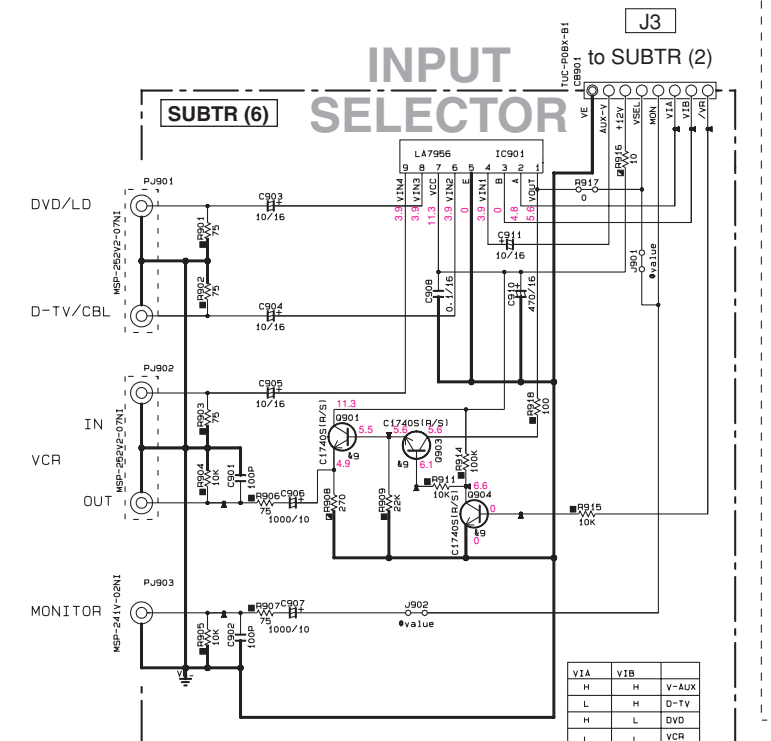
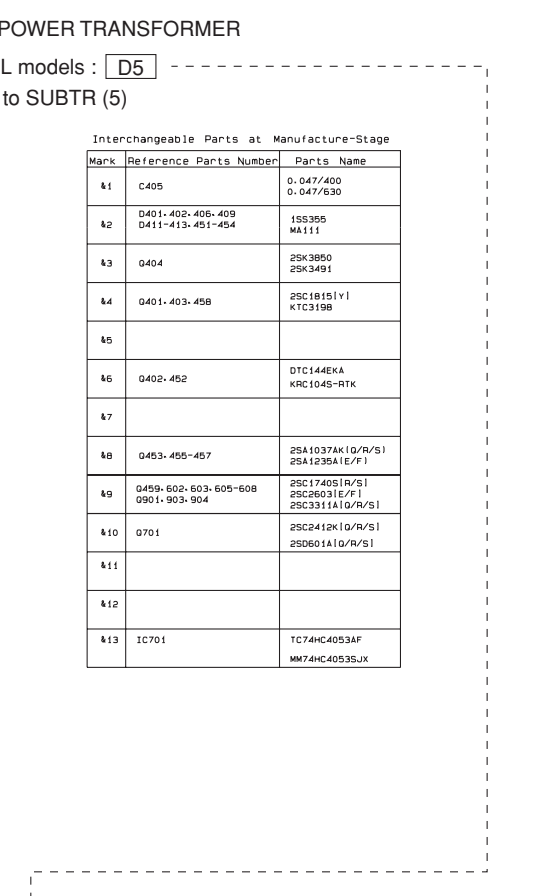
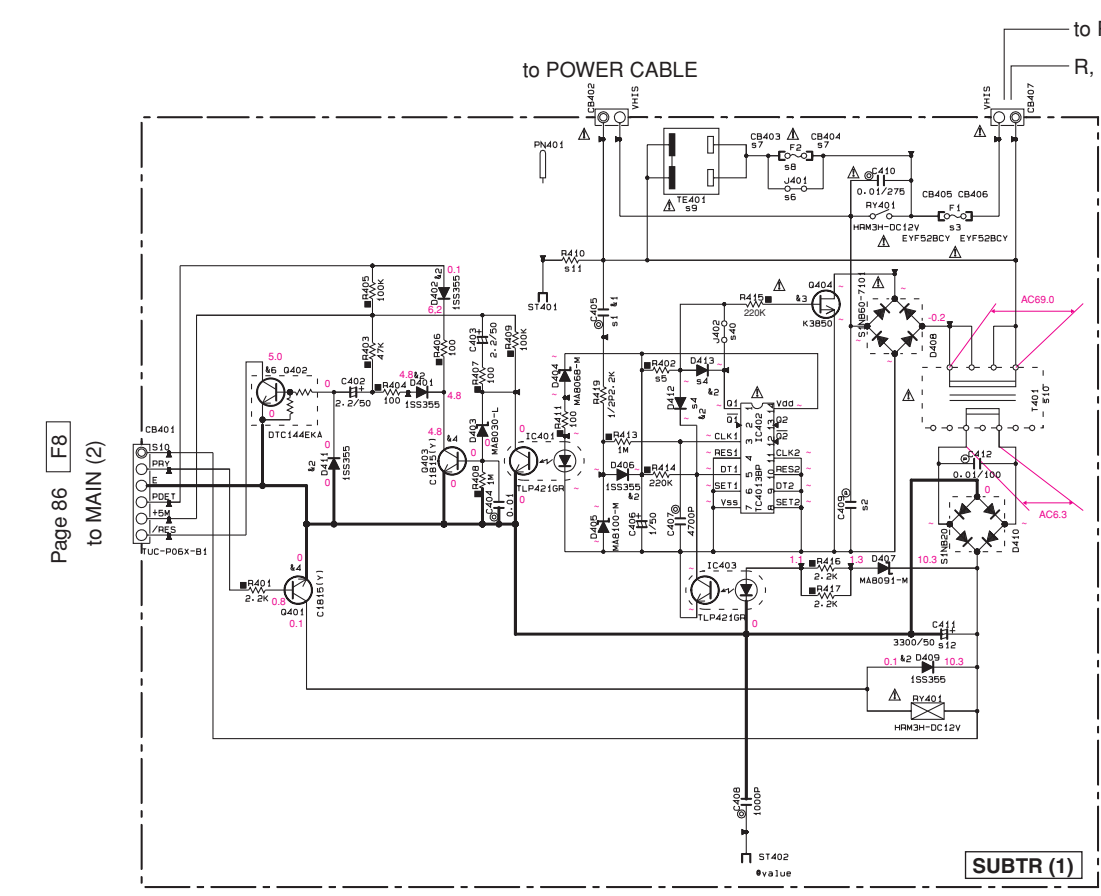
NOTICE (model)

Table with columns: RESISTOR, PARTS NAME, REMARKS

Table with columns: CAPACITOR, PARTS NAME, REMARKS

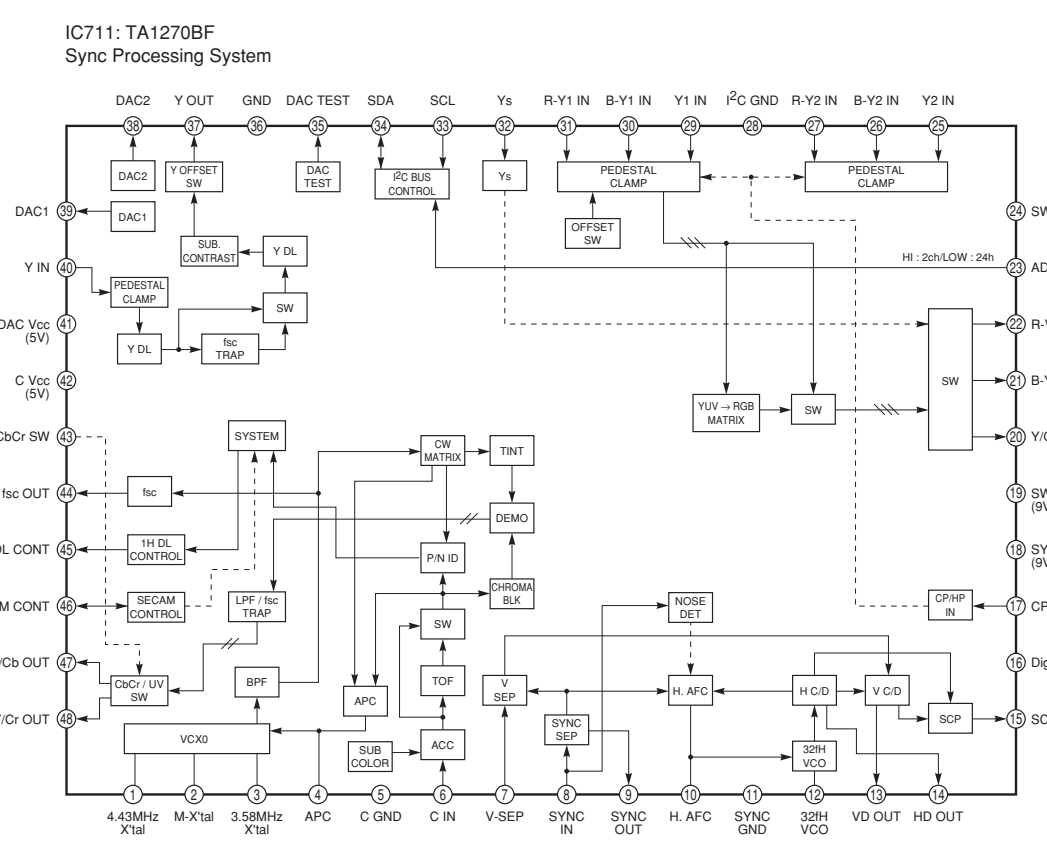
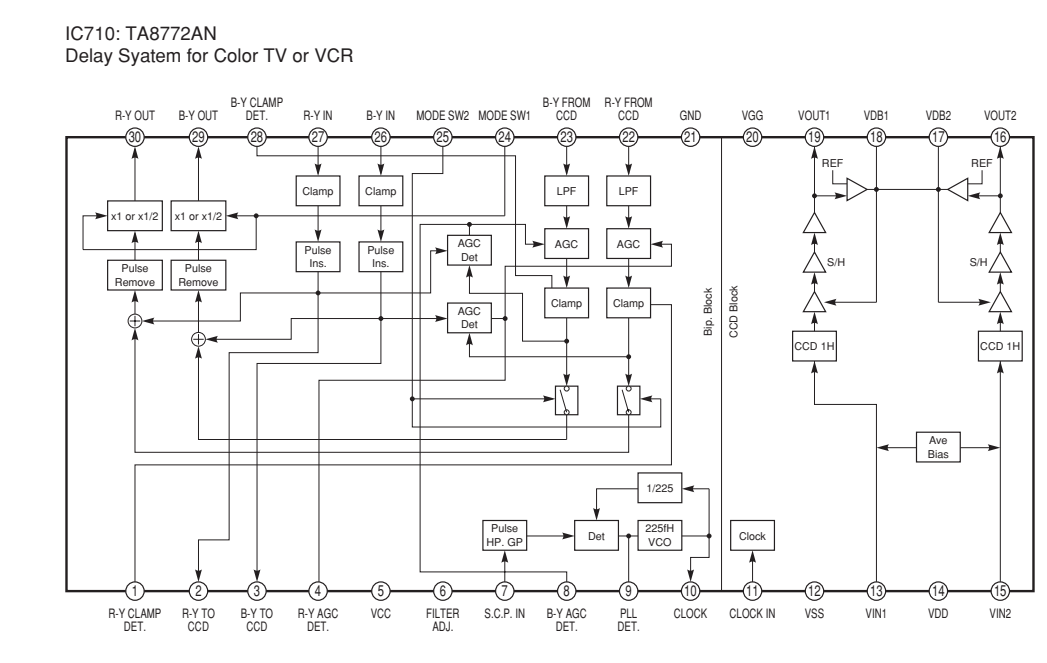
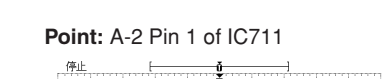
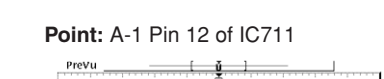
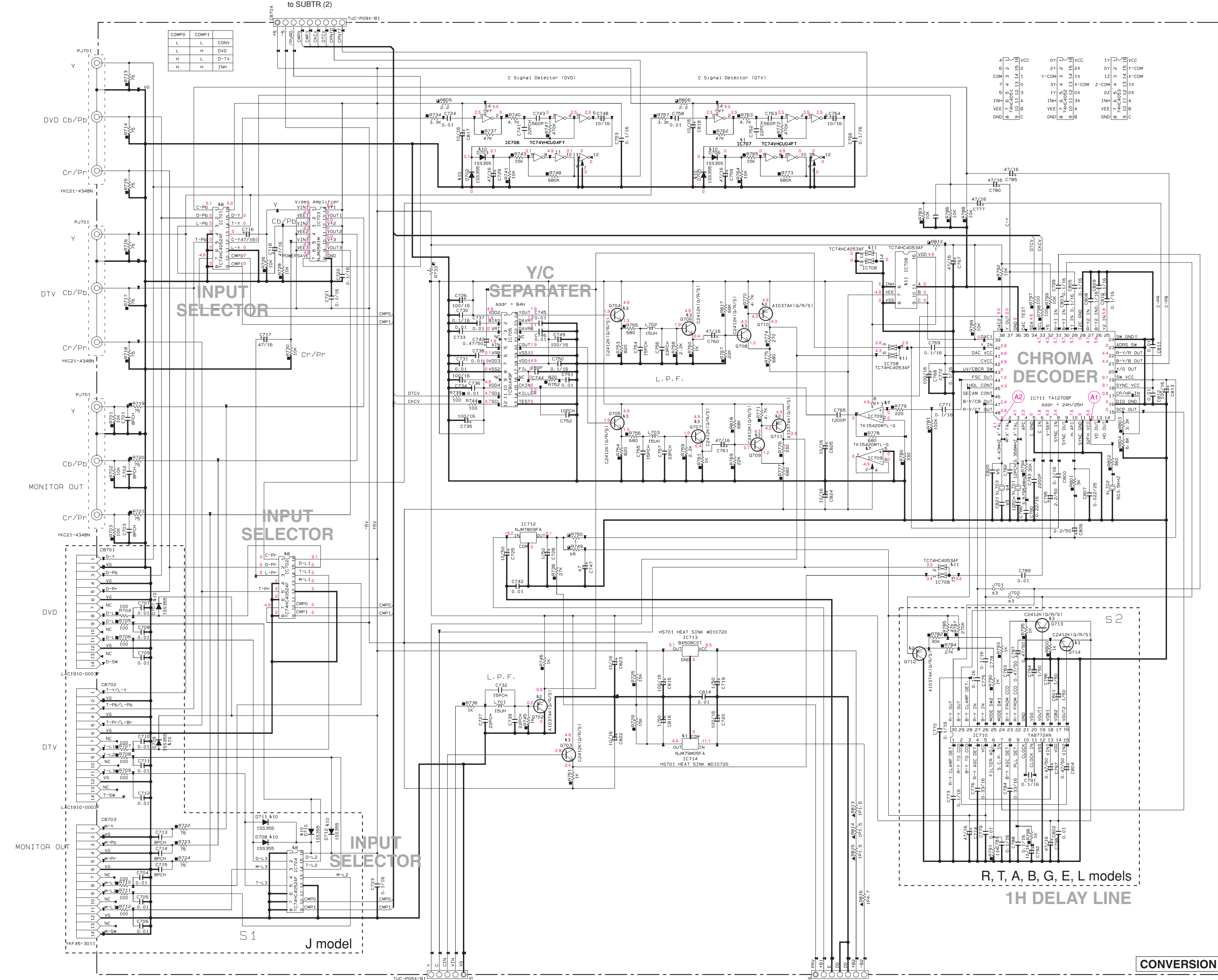
Table with columns: Part No., Part Name, Remarks, etc.

Table with columns: Part No., Part Name, Remarks, etc.



★ All voltages are measured with a 10MΩ/V DC electronic voltmeter.
★ Components having special characteristics are marked with a star and must be replaced with parts having specifications equal to those originally installed.
★ Schematic diagram is subject to change without notice.
★ 電圧は、内部抵抗10MΩの電圧計で測定したものです。
★ *印のある部品は、安全性確保部品を示しています。部品の交換が必要な場合、パーツリストに記載されている部品を使用してください。
★ 本回路図は標準回路図です。改良のため予告なく変更することがございます。

RX-V557/DSP-AX557: Page 88 [H3]
HTR-5850: Page 89 [H3]

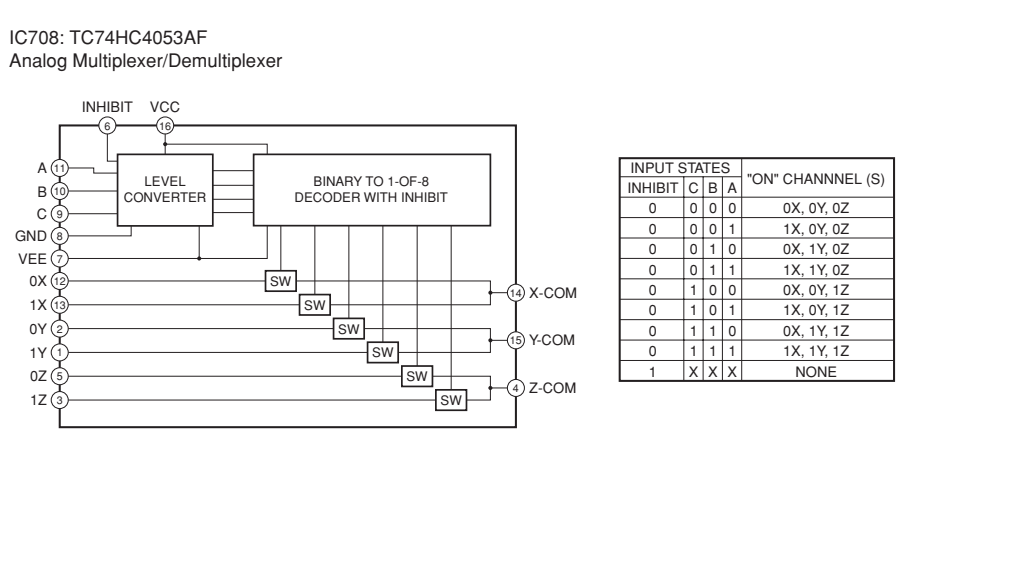
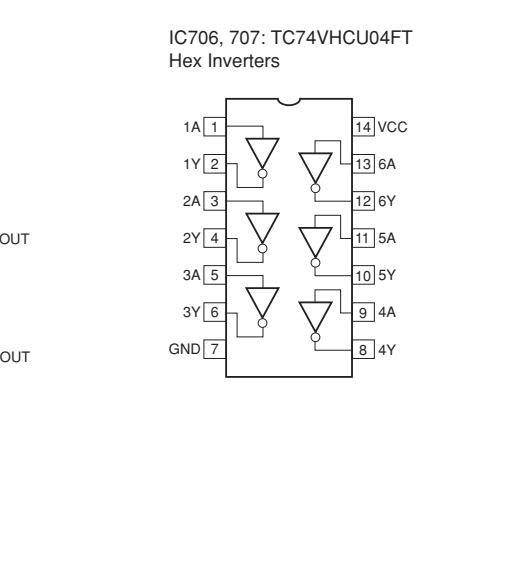
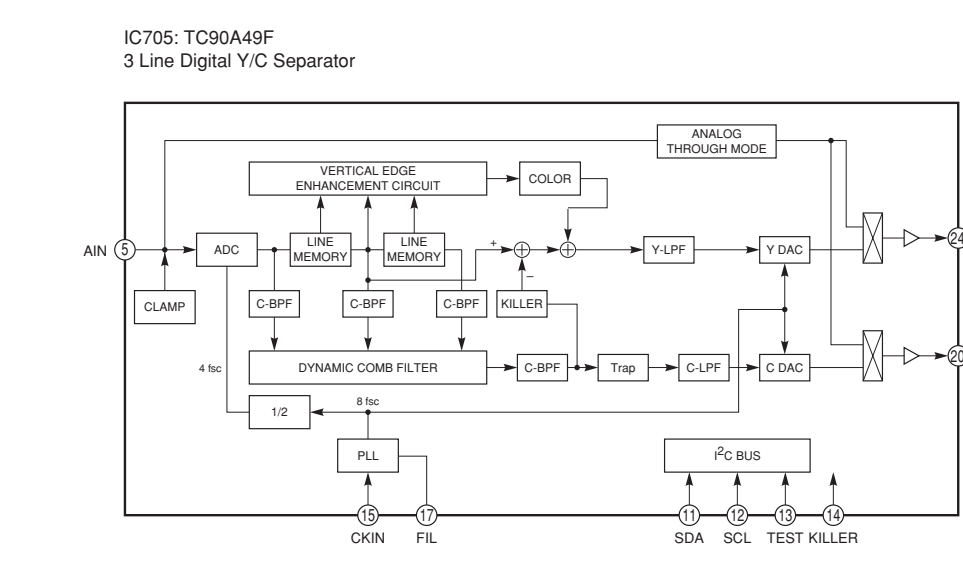
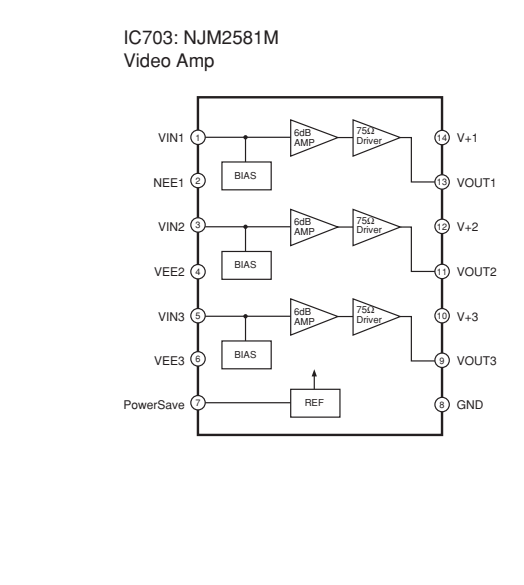
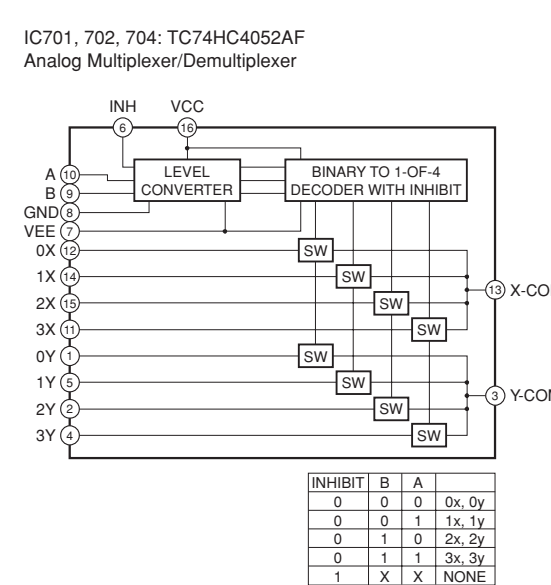
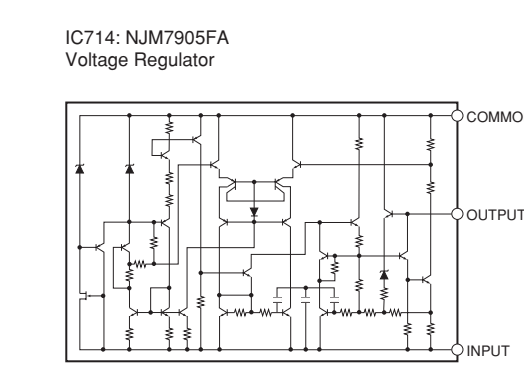
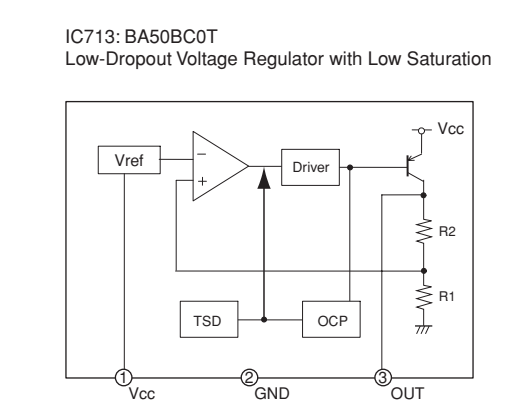
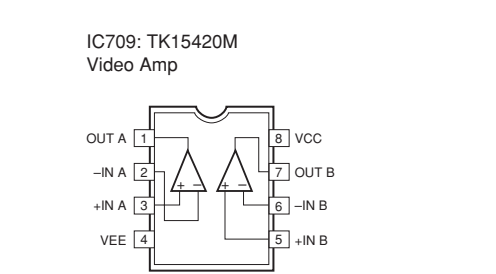
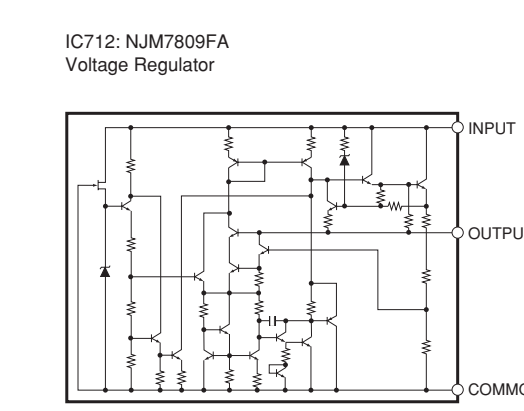


S	J	U-C-K	R	T	A	B	G	E	L	Models
51	D	X	X							D4
52	X	X								
53	J701-702	RD3600	RD3600	X						
54	XL703	X	X						4.43361MHz MB79000	
55	CB20-821	X	X						US05112	
56	R749	X	X						I	HV75310
57	C747	X	X						UR63747	

Interchangeable Parts at Manufacture-Stage

Part No.	Reference Part Number	Parts Name
41	IC714	NJM7905FA AN7905F
42	0702-710-711-712	2SA1037AK(G/R/S) 2SA1235A1E(F/I)
43	0703-709-713-714	2SC2424K(G/R/S) 2SD6114(G/R/S)
44		
45	IC713	NJM7905FA AN7905F
46		
47	IC709	TK15420M AD8956AR
48	IC701-702-704	TC74HC4052AF HW74HC4052JX
49		
410	0702-703-705-706-707-712	1S5395 HA111
411	IC708	TC74HC4053AF HW74HC4053JX
412		

Implementation
Component Video
Video Conversion: V/C Separate & Chroma Decoder



REMARKS	PARTS NAME
NO MARK	ELECTROLYTIC CAPACITOR
NO MARK	TANTALUM CAPACITOR
NO MARK	CERAMIC CAPACITOR
⊙	CERAMIC TUBULAR CAPACITOR
⊙	POLYESTER FILM CAPACITOR
⊙	POLYSTYRENE FILM CAPACITOR
⊙	MICA CAPACITOR
⊙	POLYPROPYLENE FILM CAPACITOR
⊙	SEMICONDUCTIVE CERAMIC CAPACITOR

REMARKS	PARTS NAME
NO MARK	CARBON FILM RESISTOR (P=5)
⊙	CARBON FILM RESISTOR (P=10)
⊙	METAL OXIDE FILM RESISTOR
⊙	METAL FILM RESISTOR
⊙	METAL PLATE RESISTOR
⊙	FILM THIN-FILM CARBON FILM RESISTOR
⊙	SEMI-VARIABLE RESISTOR
⊙	CHTP RESISTOR

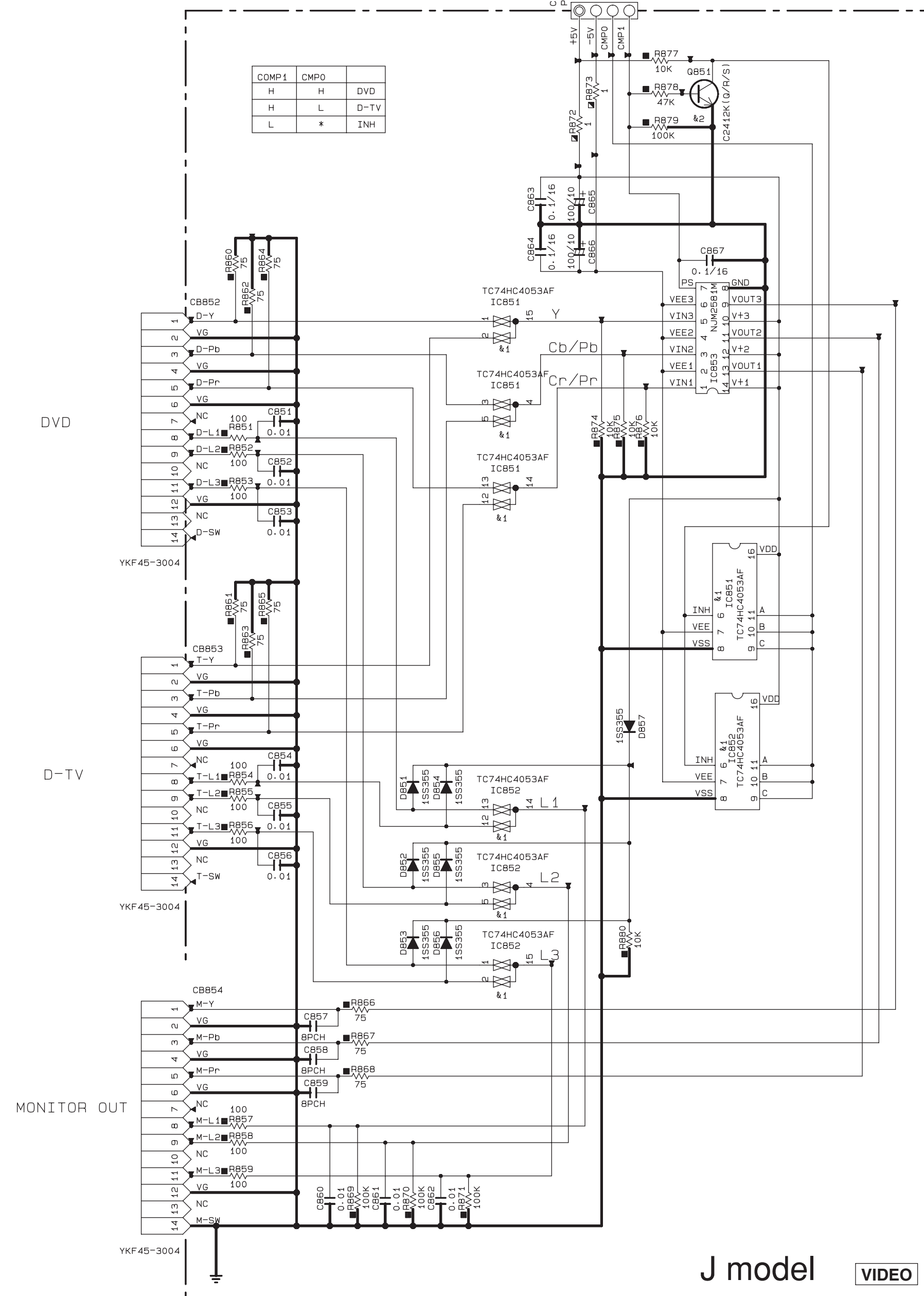
NOTICE (mode1)
(J)..... JAPAN
(U)..... U.S.A.
(C)..... CANADA
(R)..... GENERAL
(T)..... CHINA
(K)..... KOREA
(A)..... AUSTRALIA
(B)..... BRITISH
(E)..... EUROPE
(L)..... SINGAPORE
(S)..... SOUTH EUROPE
(V)..... TAIWAN

- ★ All voltages are measured with a 10MΩ/2V DC electronic volt meter.
- ★ Components having special characteristics are marked with a star and must be replaced with parts having specifications equal to those originally installed.
- ★ Schematic diagram is subject to change without notice.
- ★ 電圧は、内部抵抗10MΩの電圧計で測定したものです。
- ★ *印のある部品は、安全性確保部品を示しています。部品の交換が必要な場合、パーツリストに記載されている部品を使用してください。
- ★ 本回路図は標準回路図です。改良のため予告なく変更することがあります。

SCHEMATIC DIAGRAM (VIDEO) DSP-AX457 (J model)

to SUBTR (2)

COMP1	CMPO	
H	H	DVD
H	L	D-TV
L	*	INH



RESISTOR

REMARKS	PARTS NAME
NO MARK	CARBON FILM RESISTOR (P=5)
□	CARBON FILM RESISTOR (P=10)
△	METAL OXIDE FILM RESISTOR
▲	METAL FILM RESISTOR
⊠	METAL PLATE RESISTOR
■	FIRE PROOF CARBON FILM RESISTOR
□	CEMENT MOLDED RESISTOR
⊙	SEMI VARIABLE RESISTOR
■	CHIP RESISTOR

CAPACITOR

REMARKS	PARTS NAME
NO MARK	ELECTROLYTIC CAPACITOR
⊗	TANTALUM CAPACITOR
NO MARK	CERAMIC CAPACITOR
●	CERAMIC TUBULAR CAPACITOR
⊙	POLYESTER FILM CAPACITOR
○	POLYSTYRENE FILM CAPACITOR
⊖	MICA CAPACITOR
⊕	POLYPROPYLENE FILM CAPACITOR
⊗	SEMICONDUCTIVE CERAMIC CAPACITOR

Interchangeable Parts at Manufacture-Stage

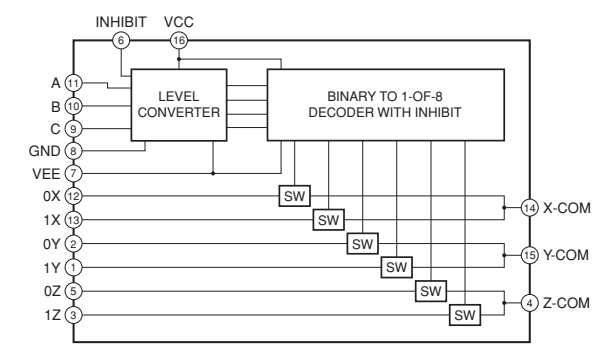
Mark	Reference Parts Number	Parts Name
k1	IC851-852	TC74HC4053AF MM74HC4053SUX
k2	Q851	C2412K1G/R/S1 D601A1G/R/S1

NOTICE (model)

- (J)..... JAPAN
- (U)..... U. S. A
- (C)..... CANADA
- (R)..... GENERAL
- (T)..... CHINA
- (K)..... KOREA
- (A)..... AUSTRALIA
- (B)..... BRITISH
- (G)..... EUROPE
- (L)..... SINGAPORE
- (E)..... SOUTH EUROPE
- (V)..... TAIWAN

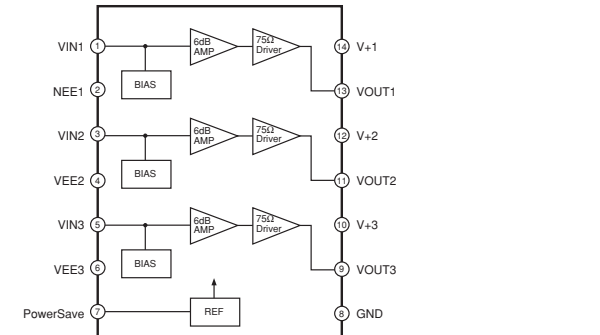
IC851, 852: TC74HC4053AF

Analog Multiplexer/Demultiplexer



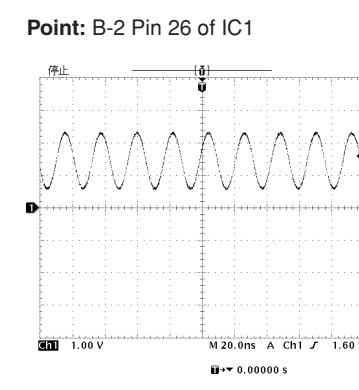
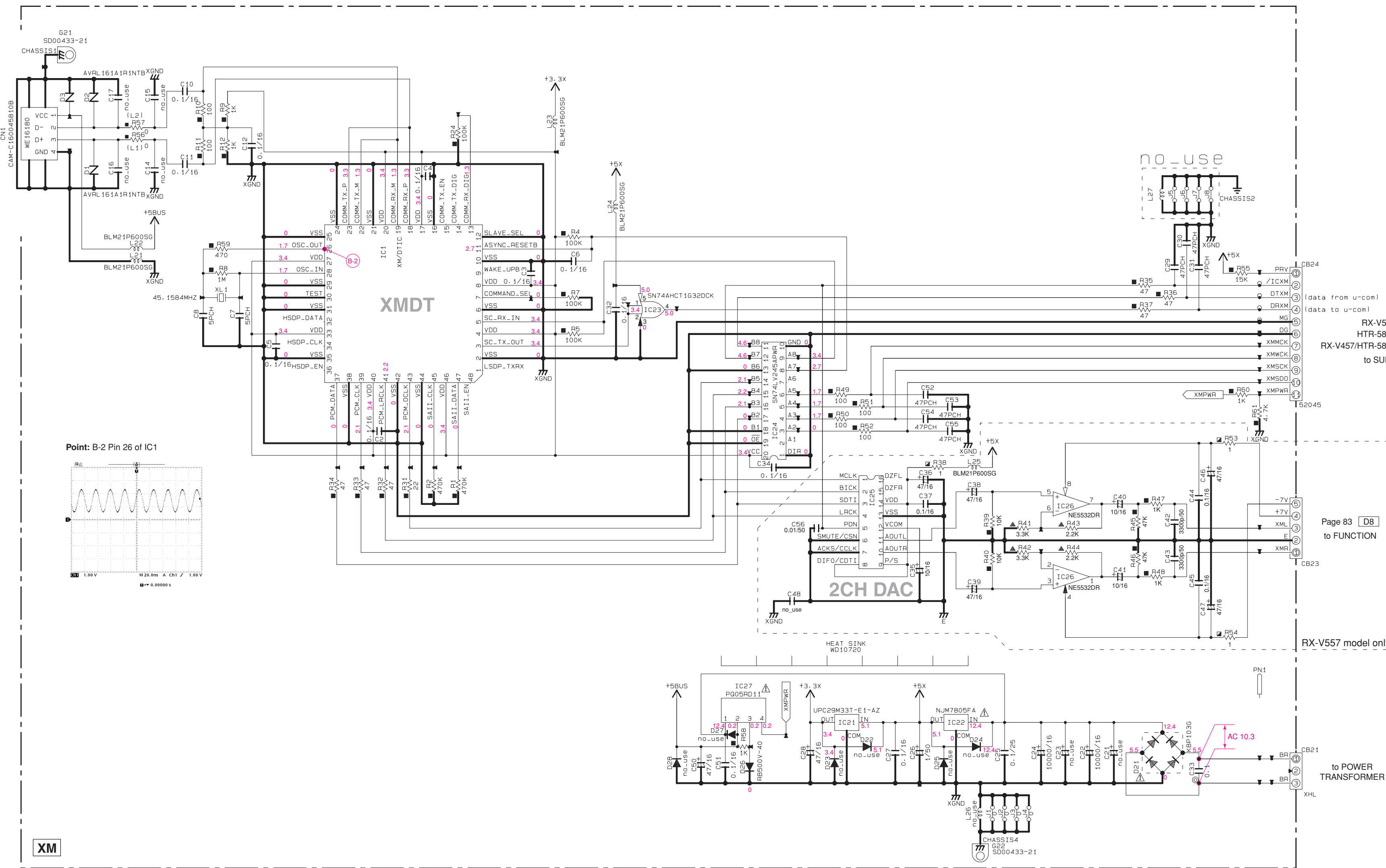
IC853: NJM2581M

Video Amp



* All voltages are measured with a 10MΩ/V DC electronic volt meter.
 * Components having special characteristics are marked with a triangle and must be replaced with parts having specifications equal to those originally installed.
 * Schematic diagram is subject to change without notice.

* 電圧は、内部抵抗10MΩの電圧計で測定したものです。
 * 三角形のある部品は、安全性確保部品を示しています。部品の交換が必要な場合、パーツリストに記載されている部品を使用してください。
 * 本回路図は標準回路図です。改良のため予告なく変更することがございます。

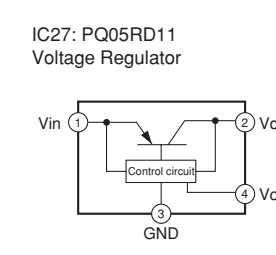
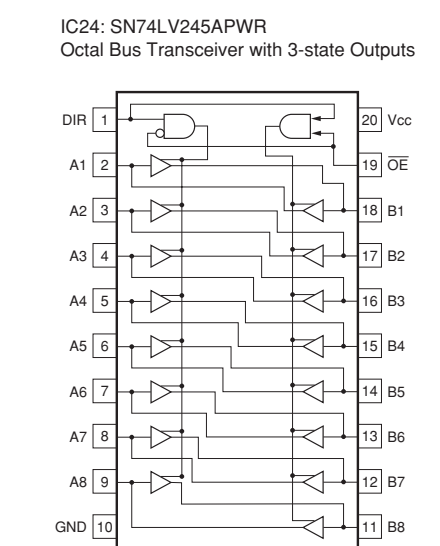
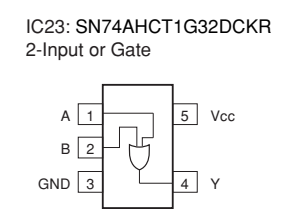
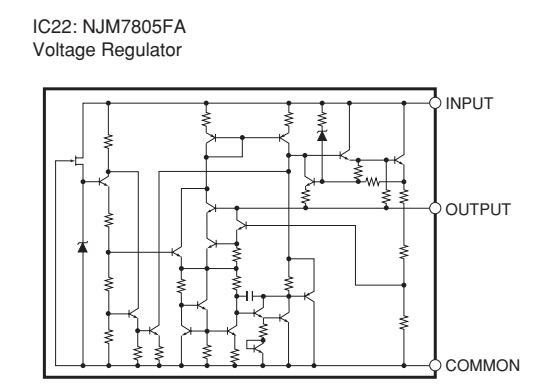
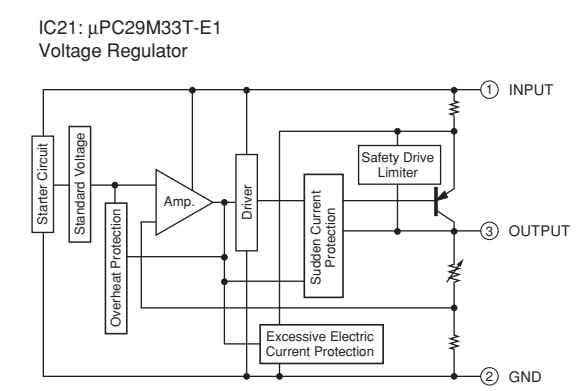
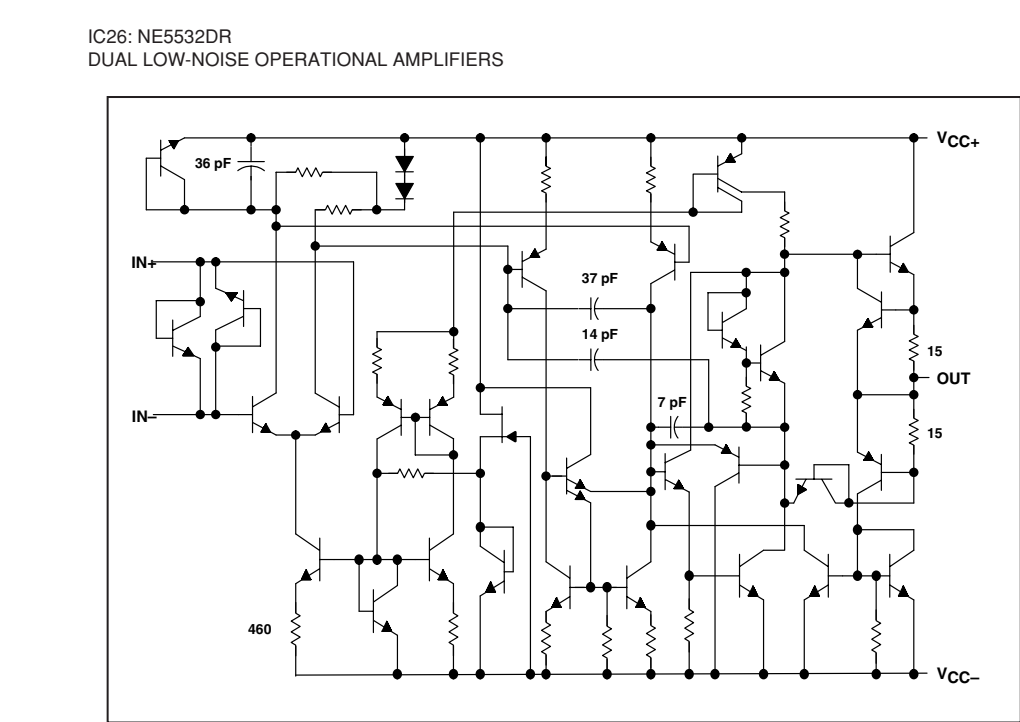
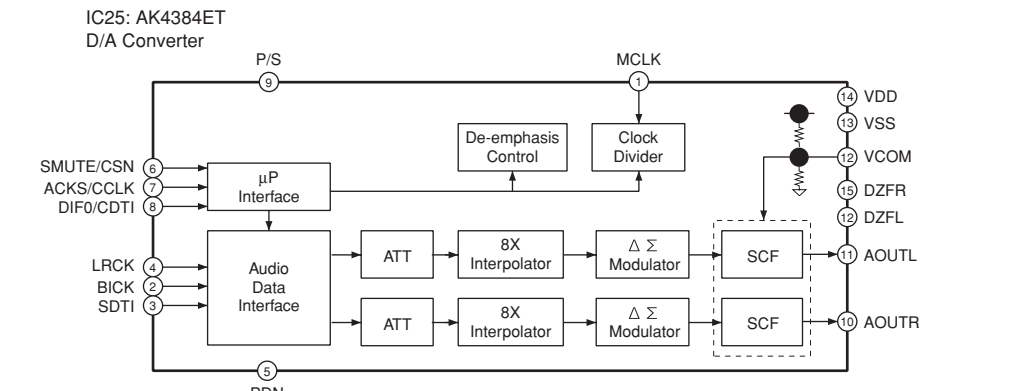


REMARKS	PARTS NAME
NO MARK	ELECTROLYTIC CAPACITOR
⊗	TANTALUM CAPACITOR
NO MARK	CERAMIC CAPACITOR
⊙	CERAMIC TUBULAR CAPACITOR
⊖	POLYESTER FILM CAPACITOR
○	POLYSTYRENE FILM CAPACITOR
⊕	MICA CAPACITOR
⊗	POLYPROPYLENE FILM CAPACITOR
⊖	SEMICONDUCTIVE CERAMIC CAPACITOR
⊙	POLYPHENYLENE SULFIDE FILM CAPACITOR

REMARKS	PARTS NAME
NO MARK	CARBON FILM RESISTOR (P=5)
⊗	CARBON FILM RESISTOR (P=10)
△	METAL OXIDE FILM RESISTOR
⊖	METAL FILM RESISTOR
⊗	METAL PLATE RESISTOR
⊖	FIRE PROOF CARBON FILM RESISTOR
⊖	CEMENT MOLDED RESISTOR
⊖	SEMI VARIABLE RESISTOR
⊖	CHIP RESISTOR

NOTICE (model)

(J)..... JAPAN
 (U)..... U. S. A
 (C)..... CANADA
 (R)..... GENERAL
 (T)..... CHINA
 (K)..... KOREA
 (A)..... AUSTRALIA
 (B)..... BRITISH
 (G)..... EUROPE
 (L)..... SINGAPORE
 (E)..... SOUTH EUROPE
 (V)..... TAIWAN



★ All voltages are measured with a 10MΩ/V DC electronic volt meter.
 ★ Components having special characteristics are marked ⊕, and must be replaced with parts having specifications equal to those originally installed.
 ★ Schematic diagram is subject to change without notice.
 ★ 電圧は、内部抵抗10MΩの電圧計で測定したものです。
 ★ ⊕印のある部品は、安全性確保部品を示しています。部品の交換が必要な場合、パーツリストに記載されている部品を使用してください。
 ★ 本回路図は標準回路図です。改良のため予告なく変更することがございます。

PARTS LIST

■ ELECTRICAL PARTS

■ WARNING

● Components having special characteristics are marked \triangle and must be replaced with parts having specifications equal to those originally installed.

● \triangle 印のある部分は、安全確保部品を示しています。部品の交換が必要な場合、パーツリストに記載されている部品を使用してください。

● 部品価格ランクは、予告なく変更することがあります。

ABBREVIATIONS IN THIS LIST ARE AS FOLLOWS:

C.A.EL.CHP	: CHIP ALUMI.ELECTROLYTIC CAP	L.EMIT	: LIGHT EMITTING MODULE
C.CE	: CERAMIC CAP	LED.DSPLY	: LED DISPLAY
C.CE.ARRAY	: CERAMIC CAP ARRAY	LED.INFRD	: LED,INFRARED
C.CE.CHP	: CHIP CERAMIC CAP	MODUL.RF	: MODULATOR,RF
C.CE.ML	: MULTILAYER CERAMIC CAP	PHOT.CPL	: PHOTO COUPLER
C.CE.M.CHP	: CHIP MULTILAYER CERAMIC CAP	PHOT.INTR	: PHOTO INTERRUPTER
C.CE.SAFTY	: RECOGNIZED CERAMIC CAP	PHOT.RFLCT	: PHOTO REFLECTOR
C.CE.TUBLR	: CERAMIC TUBULAR CAP	PIN.TEST	: PIN,TEST POINT
C.CE.SMI	: SEMI CONDUCTIVE CERAMIC CAP	PLST.RIVET	: PLASTIC RIVET
C.EL	: ELECTROLYTIC CAP	R.ARRAY	: RESISTOR ARRAY
C.MICA	: MICA CAP	R.CAR.	: CARBON RESISTOR
C.ML.FLM	: MULTILAYER FILM CAP	R.CAR.CHP	: CHIP RESISTOR
C.MP	: METALLIZED PAPER CAP	R.CAR.FP	: FLAME PROOF CARBON RESISTOR
C.MYLAR	: MYLAR FILM CAP	R.FUS	: FUSABLE RESISTOR
C.MYLAR.ML	: MULTILAYER MYLAR FILM CAP	R.MTL.CHP	: CHIP METAL FILM RESISTOR
C.PAPER	: PAPER CAPACITOR	R.MTL.FLM	: METAL FILM RESISTOR
C.PLS	: POLYSTYRENE FILM CAP	R.MTL.OXD	: METAL OXIDE FILM RESISTOR
C.POL	: POLYESTER FILM CAP	R.MTL.PLAT	: METAL PLATE RESISTOR
C.POLY	: POLYETHYLENE FILM CAP	RSNR.CE	: CERAMIC RESONATOR
C.PP	: POLYPROPYLENE FILM CAP	RSNR.CRYS	: CRYSTAL RESONATOR
C.TNTL	: TANTALUM CAP	R.TW.CEM	: TWIN CEMENT FIXED RESISTOR
C.TNTL.CHP	: CHIP TANTALUM CAP	R.WW	: WIRE WOUND RESISTOR
C.TRIM	: TRIMMER CAP	SCR.BND.HD	: BIND HEAD B-TITE SCREW
CN	: CONNECTOR	SCR.BW.HD	: BW HEAD TAPPING SCREW
CN.BS.PIN	: CONNECTOR,BASE PIN	SCR.CUP	: CUP TITE SCREW
CN.CANNON	: CONNECTOR,CANNON	SCR.TERM	: SCREW TERMINAL
CN.DIN	: CONNECTOR,DIN	SCR.TR	: SCREW,TRANSISTOR
CN.FLAT	: CONNECTOR,FLAT CABLE	SUPRT.PCB	: SUPPORT,P.C.B.
CN.POST	: CONNECTOR,BASE POST	SURG.PRTCT	: SURGE PROTECTOR
COIL.MX.AM	: COIL,AM MIX	SW.TACT	: TACT SWITCH
COIL.AT.FM	: COIL,FM ANTENNA	SW.LEAF	: LEAF SWITCH
COIL.DT.FM	: COIL,FM DETECT	SW.LEVER	: LEVER SWITCH
COIL.MX.FM	: COIL,FM MIX	SW.MICRO	: MICRO SWITCH
COIL.OUTPT	: OUTPUT COIL	SW.PUSH	: PUSH SWITCH
DIOD.ARRAY	: DIODE ARRAY	SW.RT.ENC	: ROTARY ENCODER
DIODE.BRG	: DIODE BRIDGE	SW.RT.MTR	: ROTARY SWITCH WITH MOTOR
DIODE.CHP	: CHIP DIODE	SW.RT	: ROTARY SWITCH
DIODE.VAR	: VARACTOR DIODE	SW.SLIDE	: SLIDE SWITCH
DIOD.Z.CHP	: CHIP ZENER DIODE	TERM.SP	: SPEAKER TERMINAL
DIODE.ZENR	: ZENER DIODE	TERM.WRAP	: WRAPPING TERMINAL
DSCR.CE	: CERAMIC DISCRIMINATOR	THRMST.CHP	: CHIP THERMISTOR
FER.BEAD	: FERRITE BEADS	TR.CHP	: CHIP TRANSISTOR
FER.CORE	: FERRITE CORE	TR.DGT	: DIGITAL TRANSISTOR
FET.CHP	: CHIP FET	TR.DGT.CHP	: CHIP DIGITAL TRANSISTOR
FL.DSPLY	: FLUORESCENT DISPLAY	TRANS	: TRANSFORMER
FLTR.CE	: CERAMIC FILTER	TRANS.PULS	: PULSE TRANSFORMER
FLTR.COMB	: COMB FILTER MODULE	TRANS.PWR	: POWER TRANSFORMER ASS'Y
FLTR.LC.RF	: LC FILTER,EMI	TUNER.AM	: TUNER PACK,AM
GND.MTL	: GROUND PLATE	TUNER.FM	: TUNER PACK,FM
GND.TERM	: GROUND TERMINAL	TUNER.PK	: FRONT-ENDTUNER PACK
HOLDER.FUS	: FUSE HOLDER	VR	: ROTARY POTENTIOMETER
IC.PRTCT	: IC PROTECTOR	VR.MTR	: POTENTIOMETER WITH MOTOR
JUMPER.CN	: JUMPER CONNECTOR	VR.SW	: POTENTIOMETER WITH ROTARY SW
JUMPER.TST	: JUMPER,TEST POINT	VR.SLIDE	: SLIDE POTENTIOMETER
L.DTCT	: LIGHT DETECTING MODULE	VR.TRIM	: TRIMMER POTENTIOMETER

Note) Those parts marked with “#” are not included in the P.C.B. ass'y.

P.C.B. DSP

Schm Ref.	PART NO.	Description	Remarks	Markets	部 品 名	Rank	
*	WE592900	P. C. B.	DSP	557, 5850	JRTKABGEL	P C B D S P	
*	WE593000	P. C. B.	DSP	557, 5850	UC	P C B D S P	
*	WE593100	P. C. B.	DSP	457	J	P C B D S P	
*	WE593200	P. C. B.	DSP	457, 5840	UC	P C B D S P	
*	WE593300	P. C. B.	DSP	457, 5840	RTKABGEL	P C B D S P	
CB1	V7828500	SOCKET	18P TE TUC SERIES			コネクタースocket	
CB2	VQ044800	CN. BS. PIN	18P			F F Cコネクタ	01
CB11	LB919020	CN. BS. PIN	2P			ベース付ポスト	01
C1	UR238100	C. EL	100uF 16V			ケミコン	
C2	UR238100	C. EL	100uF 16V			ケミコン	
C12	UR837220	C. EL	22uF 16V	557, 5850		ケミコン	01
C12	UR837220	C. EL	22uF 16V	457, 5840	UCRTKABGEL	ケミコン	01
C15	UR837470	C. EL	47uF 16V			ケミコン	01
C36	UA654680	C. MYLAR	0.068uF 50V			マイラーコン	02
C40	UA653100	C. MYLAR	1000pF 50V			マイラーコン	03
C50	UR838100	C. EL	100uF 16V			ケミコン	01
C53	UR838100	C. EL	100uF 16V			ケミコン	01
C54	UR837100	C. EL	10uF 16V			ケミコン	01
C55	UR238100	C. EL	100uF 16V			ケミコン	
C65	UR238100	C. EL	100uF 16V			ケミコン	
C76	UR238100	C. EL	100uF 16V			ケミコン	
C81	UR238100	C. EL	100uF 16V			ケミコン	
C94	UR837470	C. EL	47uF 16V			ケミコン	01
C124	UR838100	C. EL	100uF 16V			ケミコン	01
C126	UR838100	C. EL	100uF 16V			ケミコン	01
C131	UR818470	C. EL	470uF 6.3V			ケミコン	01
C145	UR866220	C. EL	2.2uF 50V			ケミコン	01
C152	UR837100	C. EL	10uF 16V			ケミコン	01
C153	UR837100	C. EL	10uF 16V			ケミコン	01
C154	UR837100	C. EL	10uF 16V			ケミコン	01
C156	UR837100	C. EL	10uF 16V			ケミコン	01
C157	UR837100	C. EL	10uF 16V			ケミコン	01
C158	UR837100	C. EL	10uF 16V			ケミコン	01
C159	UR837100	C. EL	10uF 16V			ケミコン	01
C162	UR837100	C. EL	10uF 16V			ケミコン	01
C163	UR837100	C. EL	10uF 16V			ケミコン	01
C164	UA652680	C. MYLAR	680pF 50V			マイラーコン	01
C165	UA654470	C. MYLAR	0.047uF 50V			マイラーコン	01
C166	UA652680	C. MYLAR	680pF 50V			マイラーコン	01
C168	UA652680	C. MYLAR	680pF 50V			マイラーコン	01
C169	UA652680	C. MYLAR	680pF 50V			マイラーコン	01
C177	UA652100	C. MYLAR	100pF 50V			マイラーコン	01
C178	UR837470	C. EL	47uF 16V			ケミコン	01
C179	UA652100	C. MYLAR	100pF 50V			マイラーコン	01
C180	UA652100	C. MYLAR	100pF 50V			マイラーコン	01
C181	UA652100	C. MYLAR	100pF 50V			マイラーコン	01
C183	UA653390	C. MYLAR	3900pF 50V			マイラーコン	01
C186	UR837100	C. EL	10uF 16V			ケミコン	01
C187	UR837100	C. EL	10uF 16V			ケミコン	01

* New Parts * 新規部品

RX-V557/HTR-5850/DSP-AX557
 RX-V457/HTR-5840/DSP-AX457

P.C.B. DSP

Schm Ref.	PART NO.	Description	Remarks	Markets	部 品 名	Rank
C188	UR837100	C. EL 10uF 16V			ケミコン	01
C190	UR837100	C. EL 10uF 16V			ケミコン	01
C191	UR837100	C. EL 10uF 16V			ケミコン	01
C194	UR837100	C. EL 10uF 16V			ケミコン	01
C195	UR837100	C. EL 10uF 16V			ケミコン	01
C198	VE326000	C. MYLAR. ML 0.1uF 50V			積層マイラーコン	01
C199	VE326000	C. MYLAR. ML 0.1uF 50V			積層マイラーコン	01
C200	VE326000	C. MYLAR. ML 0.1uF 50V			積層マイラーコン	01
C201	VE326000	C. MYLAR. ML 0.1uF 50V			積層マイラーコン	01
C202	VE326000	C. MYLAR. ML 0.1uF 50V			積層マイラーコン	01
C203	VE326000	C. MYLAR. ML 0.1uF 50V			積層マイラーコン	01
C206	UR837470	C. EL 47uF 16V			ケミコン	01
C207	UR837470	C. EL 47uF 16V			ケミコン	01
C208	UR837470	C. EL 47uF 16V			ケミコン	01
C209	UR837470	C. EL 47uF 16V			ケミコン	01
C210	UR837470	C. EL 47uF 16V			ケミコン	01
C211	UR837470	C. EL 47uF 16V			ケミコン	01
D3	VT332900	DIODE 1SS355			ダイオード	01
D8	VT332900	DIODE 1SS355			ダイオード	01
D9	WB081800	DIODE SB01-05Q			ショットキダイオード	
D10	WB081800	DIODE SB01-05Q			ショットキダイオード	
D11	WB081800	DIODE SB01-05Q			ショットキダイオード	
D12	WB081800	DIODE SB01-05Q			ショットキダイオード	
D13	VT332900	DIODE 1SS355			ダイオード	01
IC1	X3936A00	IC SN74LVU04APWR	557, 5850		ロジックIC	
IC1	X3936A00	IC SN74LVU04APWR	457, 5840	UCRTKABGEL	ロジックIC	
IC2	X5444A00	IC LC89057W-VF4D-E			IC	
IC3	X3018A00	IC SN74AHCT00PWR NAND			ロジックIC T S O P	01
IC5	X6137A00	IC D60YA003BPYP225			IC	
IC6	X2590B00	IC W9816G6CH-7 SDRAM			メモリIC 16M	06
IC7	X6123A00	IC SN74LV157APWR		UC	ロジックIC	
IC8	X6261A00	IC MBM29LV400BC-70PFT			メモリIC 4M	06
IC9	XS534A00	IC NJM78M05DL1A (TE1)			電源IC TO-252	02
IC10	X3693A00	IC SN74LV245APWR TRAN			ロジックIC T S S O P	
IC11	X6051A00	IC UPC29M33T-E1-AZ			電源IC	
IC12	X3833A00	IC SN74AHC1G08DCKR			ロジックIC S O P	01
IC13	X5945A00	IC PQ012FZ01ZPH			電源IC	
IC14	X6123A00	IC SN74LV157APWR			ロジックIC	
IC16	X3807A00	IC AK4628VQ			IC	
IC18	X3505A00	IC NJM2068MD-TE2			アンプIC S O P	02
IC19	X5482A00	IC NE5532DR OP AMP			アンプIC S O P	
IC20	X5482A00	IC NE5532DR OP AMP			アンプIC S O P	
IC21	X3505A00	IC NJM2068MD-TE2			アンプIC S O P	02
IC22	X3824A00	IC SN74AHCT08PWR			ロジックIC	01
IC26	X2080A00	IC SN74AHCT1G32DCKR			ロジックIC	01
PJ1	V4483900	JACK. PIN 1P YKC21-3895	557, 5850		ピンジャック	
PJ1	V4483900	JACK. PIN 1P YKC21-3895	457, 5840	UCRTKABGEL	ピンジャック	
R18	HV753100	R. CAR. FP 1Ω 1/4W			不燃化カーボン抵抗	01
R40	V8070000	R. MTL. FLM 1Ω 1W			金属被膜抵抗	01

* New Parts * 新規部品

P.C.B. DSP & P.C.B. FUNCTION

Schm Ref.	PART NO.	Description	Remarks	Markets	部 品 名	Rank
R63	V8070000	R. MTL. FLM	1Ω 1W		金属被膜抵抗	01
R104	VU224000	R. MTL. FLM	0.22Ω 1W		金属被膜抵抗	01
R105	HV753100	R. CAR. FP	1Ω 1/4W		不燃化カーボン抵抗	01
R111	HV753100	R. CAR. FP	1Ω 1/4W		不燃化カーボン抵抗	01
R133	V8070100	R. MTL. FLM	2.2Ω 1W		金属被膜抵抗	01
R149	V8070100	R. MTL. FLM	2.2Ω 1W		金属被膜抵抗	01
R193	V8070600	R. MTL. FLM	33Ω 1W		金属被膜抵抗	01
ST1	V4040500	SCR. TERM	M3		スクリュー／ターミナル	01
U1	WB001600	CN. PHOT. SN	1P GP1FA553TZ	557, 5850	光ファイバリンク	
U1	WB001600	CN. PHOT. SN	1P GP1FA553TZ	457	J 光ファイバリンク	
U2	WB001400	CN. PHOT. SN	1P GP1FA553RZ	557, 5850	光ファイバ受信器	04
U2	WB001400	CN. PHOT. SN	1P GP1FA553RZ	457	J 光ファイバ受信器	04
U3	WB001400	CN. PHOT. SN	1P GP1FA553RZ		光ファイバ受信器	04
U4	WB001400	CN. PHOT. SN	1P GP1FA553RZ		光ファイバ受信器	04
XL1	V3625700	RSNR. CRYST	24.576MHz		水晶振動子	03
*	WE593600	P. C. B.	FUNCTION	557	JRTKL PCB ファンクション	
*	WE593700	P. C. B.	FUNCTION	557	UC PCB ファンクション	
*	WE593800	P. C. B.	FUNCTION	557	ABGE PCB ファンクション	
*	WE593600	P. C. B.	FUNCTION	5850, 457, 5840	PCB ファンクション	
CB301	V7826600	CN	16P TE TUC SERIES		コネクタプラグ	01
CB303	V7828700	SOCKET	20P SE TUC SERIES		コネクタソケット	01
CB305	VP573800	CN. BS. PIN	18P		FFCコネクタ	01
CB306	VB858700	CN. BS. PIN	8P		ベースピン	01
CB307	VK026600	CN. BS. PIN	7P		ワイヤトラップ	01
CB308	VM923600	CN. BS. PIN	13P		FFCコネクタ	01
CB309	VB858400	CN. BS. PIN	5P		ベースピン	01
C307	UA652220	C. MYLAR	220pF 50V		マイラーコン	01
C308	UA652220	C. MYLAR	220pF 50V		マイラーコン	01
C309	UA652220	C. MYLAR	220pF 50V		マイラーコン	01
C310	UA652220	C. MYLAR	220pF 50V		マイラーコン	01
C311	FG651470	C. CE	47pF 50V		セラコン	01
C312	FG651470	C. CE	47pF 50V		セラコン	01
C313	UR837100	C. EL	10uF 16V		ケミコン	01
C314	UR837100	C. EL	10uF 16V		ケミコン	01
C315	UR837100	C. EL	10uF 16V		ケミコン	01
C316	UR837100	C. EL	10uF 16V		ケミコン	01
C317	UR837100	C. EL	10uF 16V		ケミコン	01
C318	VE326300	C. MYLAR. ML	0.18uF 50V		積層マイラーコン	01
C319	VE326300	C. MYLAR. ML	0.18uF 50V		積層マイラーコン	01
C320	UA653470	C. MYLAR	4700pF 50V		マイラーコン	01
C321	UR837100	C. EL	10uF 16V		ケミコン	01
C322	UR837100	C. EL	10uF 16V		ケミコン	01
C323	UR837100	C. EL	10uF 16V		ケミコン	01
C324	UR837100	C. EL	10uF 16V		ケミコン	01
C325	VE326200	C. MYLAR. ML	0.15uF 50V		積層マイラーコン	01
C326	VE326200	C. MYLAR. ML	0.15uF 50V		積層マイラーコン	01

* New Parts * 新規部品

RX-V557/HTR-5850/DSP-AX557
 RX-V457/HTR-5840/DSP-AX457

P.C.B. FUNCTION

Schm Ref.	PART NO.	Description	Remarks	Markets	部 品 名	Rank
C327	UA653470	C. MYLAR	4700pF 50V		マイラーコン	01
C330	UR837100	C. EL	10uF 16V		ケミコン	01
C331	UR837100	C. EL	10uF 16V		ケミコン	01
C332	UA652100	C. MYLAR	100pF 50V		マイラーコン	01
C333	UA652100	C. MYLAR	100pF 50V		マイラーコン	01
C334	UR837100	C. EL	10uF 16V		ケミコン	01
C335	UR837100	C. EL	10uF 16V		ケミコン	01
C336	UR867470	C. EL	47uF 50V		ケミコン	01
C337	UR867470	C. EL	47uF 50V		ケミコン	01
C338	UR837100	C. EL	10uF 16V		ケミコン	01
C339	UA652150	C. MYLAR	150pF 50V		マイラーコン	01
C340	UR837100	C. EL	10uF 16V		ケミコン	01
C341	UR837100	C. EL	10uF 16V		ケミコン	01
C342	UR837100	C. EL	10uF 16V		ケミコン	01
C343	UR837100	C. EL	10uF 16V		ケミコン	01
C344	UR837100	C. EL	10uF 16V		ケミコン	01
C347	UR867470	C. EL	47uF 50V		ケミコン	01
C348	UR867470	C. EL	47uF 50V		ケミコン	01
C349	UR837100	C. EL	10uF 16V		ケミコン	01
C350	UR837100	C. EL	10uF 16V		ケミコン	01
C355	UR837100	C. EL	10uF 16V		ケミコン	01
C356	UR837100	C. EL	10uF 16V		ケミコン	01
C361	UR837100	C. EL	10uF 16V		ケミコン	01
C362	UR837100	C. EL	10uF 16V		ケミコン	01
C365	UR839100	C. EL	1000uF 16V		ケミコン	01
C366	UR839100	C. EL	1000uF 16V		ケミコン	01
C367	UR837100	C. EL	10uF 16V		ケミコン	01
C368	UR837100	C. EL	10uF 16V		ケミコン	01
C369	UR837100	C. EL	10uF 16V		ケミコン	01
C370	UR837100	C. EL	10uF 16V		ケミコン	01
C371	UA652100	C. MYLAR	100pF 50V		マイラーコン	01
C372	UA652100	C. MYLAR	100pF 50V		マイラーコン	01
C373	UA652680	C. MYLAR	680pF 50V		マイラーコン	01
C374	UA652680	C. MYLAR	680pF 50V		マイラーコン	01
C377	UR837470	C. EL	47uF 16V		ケミコン	01
C378	UR837470	C. EL	47uF 16V		ケミコン	01
D301	VU994300	DIODE. ZENR	MA8075-H 7.7V		ツェナーダイオード	
D302	VU994300	DIODE. ZENR	MA8075-H 7.7V		ツェナーダイオード	
D303	VV307700	DIODE	1N4002S		ダイオード	01
D304	VV307700	DIODE	1N4002S		ダイオード	01
IC301	X5092A00	IC	BD3816K1		IC	
IC302	X3547A00	IC	BD3841FS	557	UCABGE IC	06
IC303	X3505A00	IC	NJM2068MD-TE2		アンプ IC SOP	02
IC304	X3505A00	IC	NJM2068MD-TE2		アンプ IC SOP	02
IC305	XP844A00	IC	NJM4556AL		IC	02
IC306	X3505A00	IC	NJM2068MD-TE2		アンプ IC SOP	02
PJ301	V7190400	JACK. PIN	6P		ピンジャック	03
PJ302	V7046800	JACK. PIN	6P MSP-246V1-01NI		ピンジャック	
PN301	V9637500	PIN	L=70 #18		スタイルピン	

* New Parts * 新規部品

P.C.B. FUNCTION & P.C.B. OPERATION

Schm Ref.	PART NO.	Description	Remarks	Markets	部 品 名	Rank
Q301	VD303700	TR	2SC3326 A, B		トランジスタ	
Q302	VD303700	TR	2SC3326 A, B		トランジスタ	
Q303	VD303700	TR	2SC3326 A, B		トランジスタ	
Q304	VD303700	TR	2SC3326 A, B		トランジスタ	
Q305	VD303700	TR	2SC3326 A, B		トランジスタ	
Q306	VD303700	TR	2SC3326 A, B		トランジスタ	
Q307	iC181510	TR	2SC1815 Y		トランジスタ	2 S C 01
Q308	iA101510	TR	2SA1015 Y		トランジスタ	2 S A 01
Q309	VD303700	TR	2SC3326 A, B		トランジスタ	
Q310	VD303700	TR	2SC3326 A, B		トランジスタ	
Q311	VZ725900	TR	2SD1938F S, T		トランジスタ	
Q312	VZ725900	TR	2SD1938F S, T		トランジスタ	
R336	HF356560	R. CAR	5.6KΩ 1/2W		カーボン抵抗	
R337	HF356560	R. CAR	5.6KΩ 1/2W		カーボン抵抗	
R338	HF356150	R. CAR	1.5KΩ 1/2W		カーボン抵抗	
R339	HF356150	R. CAR	1.5KΩ 1/2W		カーボン抵抗	
R342	HF353220	R. CAR	2.2Ω 1/2W		カーボン抵抗	
R343	HF353220	R. CAR	2.2Ω 1/2W		カーボン抵抗	
R352	HF356100	R. CAR	1KΩ 1/2W		カーボン抵抗	
R356	HF356100	R. CAR	1KΩ 1/2W		カーボン抵抗	
R357	HF356100	R. CAR	1KΩ 1/2W		カーボン抵抗	
R374	HV755220	R. CAR. FP	220Ω 1/4W		不燃化カーボン抵抗	01
R375	HV755150	R. CAR. FP	150Ω 1/4W		不燃化カーボン抵抗	01
R382	HV755100	R. CAR. FP	100Ω 1/4W		不燃化カーボン抵抗	01
R383	HV755100	R. CAR. FP	100Ω 1/4W		不燃化カーボン抵抗	01
R384	HF355100	R. CAR	100Ω 1/2W		カーボン抵抗	
R385	HF355100	R. CAR	100Ω 1/2W		カーボン抵抗	
R396	HF353220	R. CAR	2.2Ω 1/2W		カーボン抵抗	
R397	HF353220	R. CAR	2.2Ω 1/2W		カーボン抵抗	
R411	HV754470	R. CAR. FP	47Ω 1/4W		不燃化カーボン抵抗	01
R412	HV754470	R. CAR. FP	47Ω 1/4W		不燃化カーボン抵抗	01
	WE594000	P. C. B.	OPERATION	557	P C B オペレーション	
	WE594100	P. C. B.	OPERATION	5850, 457, 5840	P C B オペレーション	
CB801	VQ045100	CN. BS. PIN	21P		F F Cコネクター	02
CB863	LB919020	CN. BS. PIN	2P		ベース付ポスト	01
CB871	VB858400	CN. BS. PIN	5P	557	ベースピン	01
C808	UM397100	C. EL	10uF 16V		ケミコン	01
C811	UM388330	C. EL	330uF 6.3V		ケミコン	01
C822	UM417100	C. EL	10uF 50V	557	ケミコン	01
C871	UA654100	C. MYLAR	0.01uF 50V		マイラーコン	01
C872	UA653100	C. MYLAR	1000pF 50V		マイラーコン	03
C874	UA654100	C. MYLAR	0.01uF 50V		マイラーコン	01
C875	UA654100	C. MYLAR	0.01uF 50V		マイラーコン	01
D802	V2598200	LED	SIR-505ST	557	L E D	
D803	VU171500	D I O D E. Z E N R	UDZ 3.6BTE-17 3.6V		ツェナーダイオード	01
D804	VU171500	D I O D E. Z E N R	UDZ 3.6BTE-17 3.6V		ツェナーダイオード	01

*
*

* New Parts * 新規部品

RX-V557/HTR-5850/DSP-AX557
 RX-V457/HTR-5840/DSP-AX457

P.C.B. OPERATION

Schm Ref.	PART NO.	Description	Remarks	Markets	部 品 名	Rank
D805	VT332900	DIODE	1SS355		ダイオード	01
D806	VT332900	DIODE	1SS355	557	ダイオード	01
D807	VT332900	DIODE	1SS355	557	ダイオード	01
D808	VT332900	DIODE	1SS355	557	ダイオード	01
D871	VU995000	DIODE. ZENR	MA8091-M 9.1V		ツェナーダイオード	
D872	VT332900	DIODE	1SS355		ダイオード	01
D873	VT332900	DIODE	1SS355		ダイオード	01
D881	VT332900	DIODE	1SS355		ダイオード	01
D882	VT332900	DIODE	1SS355		ダイオード	01
D883	VT332900	DIODE	1SS355		ダイオード	01
D884	VT332900	DIODE	1SS355		ダイオード	01
IC801	X6386A00	IC	M66003-0131FP		IC	
JK871	V9408200	JACK. PHONE	MSJ-064-05B GR		ホーンジャック	03
PJ881	V7190100	JACK. PIN	3P		ピンジャック	
PN801	V9637500	PIN	L=70 #18		スタイルピン	
PN802	V9637500	PIN	L=70 #18	557	スタイルピン	
PN861	V9637500	PIN	L=70 #18	5850, 457, 5840	スタイルピン	
PN871	V9637500	PIN	L=70 #18	557	スタイルピン	
PN881	V9637500	PIN	L=70 #18		スタイルピン	
Q801	VV556400	TR	2SC2412K Q, R, S		トランジスタ	01
Q802	VV556400	TR	2SC2412K Q, R, S		トランジスタ	01
Q803	VV556400	TR	2SC2412K Q, R, S		トランジスタ	01
Q804	VV556400	TR	2SC2412K Q, R, S		トランジスタ	01
Q805	VV556400	TR	2SC2412K Q, R, S		トランジスタ	01
Q806	VV556400	TR	2SC2412K Q, R, S		トランジスタ	01
Q807	VV556400	TR	2SC2412K Q, R, S	5850, 457, 5840	トランジスタ	01
Q808	VV556400	TR	2SC2412K Q, R, S	557	トランジスタ	01
ST871	V4040500	SCR. TERM	M3	557	スクリュー/ターミナル	01
ST871	WA246200	SCR. TERM	3.5	5850, 457, 5840	スクリューターミナル	
ST881	WA246200	SCR. TERM	3.5		スクリューターミナル	
ST882	WA246200	SCR. TERM	3.5	5850, 457, 5840	スクリューターミナル	
SW801	V9597100	SW. RT. ENC	EC12E2460802		ロータリーエンコーダ	04
SW802	V9266400	SW. RT. ENC	XREB12105PVB25F		ロータリーエンコーダ	02
SW803	V9266400	SW. RT. ENC	XREB12105PVB25F	557	ロータリーエンコーダ	02
SW803	WD483100	SW. TACT	SKRGAAD010	5850, 457, 5840	タクト SW	01
SW804	WD483100	SW. TACT	SKRGAAD010		タクト SW	01
SW805	WD483100	SW. TACT	SKRGAAD010		タクト SW	01
SW806	WD483100	SW. TACT	SKRGAAD010		タクト SW	01
SW807	WD483100	SW. TACT	SKRGAAD010		タクト SW	01
SW808	WD483100	SW. TACT	SKRGAAD010		タクト SW	01
SW809	WD483100	SW. TACT	SKRGAAD010		タクト SW	01
SW810	WD483100	SW. TACT	SKRGAAD010		タクト SW	01
SW811	WD483100	SW. TACT	SKRGAAD010		タクト SW	01
SW812	WD483100	SW. TACT	SKRGAAD010		タクト SW	01
SW813	WD483100	SW. TACT	SKRGAAD010	5850, 457, 5840	タクト SW	01
SW814	WD483100	SW. TACT	SKRGAAD010		タクト SW	01
SW815	WD483100	SW. TACT	SKRGAAD010	5850, 457, 5840	タクト SW	01
SW816	WD483100	SW. TACT	SKRGAAD010		タクト SW	01
SW817	WD483100	SW. TACT	SKRGAAD010		タクト SW	01

* New Parts * 新規部品

P.C.B. OPERATION & P.C.B. MAIN

Schm Ref.	PART NO.	Description	Remarks	Markets	部 品 名	Rank
SW818	WD483100	SW. TACT	SKRGAAD010		タクト SW	01
SW819	WD483100	SW. TACT	SKRGAAD010		タクト SW	01
SW823	WD483100	SW. TACT	SKRGAAD010	5850, 457, 5840	タクト SW	01
SW824	WD483100	SW. TACT	SKRGAAD010		タクト SW	01
SW861	WD483100	SW. TACT	SKRGAAD010		タクト SW	01
SW866	WD483100	SW. TACT	SKRGAAD010	5850, 457, 5840	タクト SW	01
SW867	WD483100	SW. TACT	SKRGAAD010	5850, 457, 5840	タクト SW	01
U801	WC746300	L. DTCT	RPM7138-H9		リモコン受光ユニット	
V801	WE289300	FL. DSPLY	17-BT-24GNK		蛍光表示管	
	V6880300	SHEET			シート/F L	
	V6007100	SPACER. FL	4.6/10/32		スパーサ F L	
	WE588000	P. C. B.	MAIN	557, 5850	JUCRTA	P C B メイン
	WE588100	P. C. B.	MAIN	557, 5850	KBGEL	P C B メイン
	WE588200	P. C. B.	MAIN	457, 5840	JUCRTA	P C B メイン
	WE588300	P. C. B.	MAIN	457, 5840	KBGEL	P C B メイン
CB121	V7825600	CN	6P TE TUC SERIES		コネクタープラグ	
CB122	VM973500	CN. BS. PIN	17P		F F Cコネクター	01
CB123	WB127100	CN. BS. PIN	3P TE XH		ベースツキポスト	
CB127	LB932060	CN. BS. PIN	6P		ベースポスト	01
C1	UR297100	C. EL	10uF 100V		ケミコン	
C2	UR297100	C. EL	10uF 100V		ケミコン	
C3	UT952150	C. PP	150pF 100V		P Pコン	
C4	UR267470	C. EL	47uF 50V		ケミコン	
C5	UT952150	C. PP	150pF 100V		P Pコン	
C6	UT952150	C. PP	150pF 100V		P Pコン	
C7	UR267470	C. EL	47uF 50V		ケミコン	
C8	UT952150	C. PP	150pF 100V		P Pコン	
C9	UT952150	C. PP	150pF 100V		P Pコン	
C10	UR267470	C. EL	47uF 50V		ケミコン	
C11	UT952150	C. PP	150pF 100V		P Pコン	
C12	UT952150	C. PP	150pF 100V		P Pコン	
C13	UR267470	C. EL	47uF 50V		ケミコン	
C14	UT952150	C. PP	150pF 100V		P Pコン	
C15	UT952150	C. PP	150pF 100V		P Pコン	
C16	UR267470	C. EL	47uF 50V		ケミコン	
C17	UT952150	C. PP	150pF 100V		P Pコン	
C18	UT952150	C. PP	150pF 100V		P Pコン	
C19	UR267470	C. EL	47uF 50V		ケミコン	
C20	UT952150	C. PP	150pF 100V		P Pコン	
C23	UT954220	C. PP	0.022uF 100V		P Pコン	
C24	UT954220	C. PP	0.022uF 100V		P Pコン	
C25	VR324700	C. MYLAR	0.022uF 100V		マイラーコン	
C26	VR324700	C. MYLAR	0.022uF 100V		マイラーコン	
C27	VR324700	C. MYLAR	0.022uF 100V		マイラーコン	
C28	UT954220	C. PP	0.022uF 100V		P Pコン	
C29	UR818100	C. EL	100uF 6.3V		ケミコン	01

*
*
*
*

* New Parts * 新規部品

RX-V557/HTR-5850/DSP-AX557
RX-V457/HTR-5840/DSP-AX457

P.C.B. MAIN

Schm Ref.	PART NO.	Description	Remarks	Markets	部 品 名	Rank
	C30	UR866470 C. EL	4.7uF 50V		ケミコン	01
⚠	C31	UR297100 C. EL	10uF 100V		ケミコン	
⚠	C32	UR297100 C. EL	10uF 100V		ケミコン	
	C116	WA747600 C. MYLAR	1000pF 100V		マイラーコン	
	C117	WA747600 C. MYLAR	1000pF 100V		マイラーコン	
	C118	WA747600 C. MYLAR	1000pF 100V		マイラーコン	
	C119	WA747600 C. MYLAR	1000pF 100V		マイラーコン	
	C120	UR857470 C. EL	47uF 35V		ケミコン	01
⚠	C121	UR866470 C. EL	4.7uF 50V		ケミコン	01
* ⚠	C122	WE515700 C. EL	10000uF 71V	557, 5850	ケミコン	
* ⚠	C122	WE586800 C. EL	8200uF 71V	457, 5840	ケミコン	
* ⚠	C123	WE515700 C. EL	10000uF 71V	557, 5850	ケミコン	
* ⚠	C123	WE586800 C. EL	8200uF 71V	457, 5840	ケミコン	
	C124	UR858100 C. EL	100uF 35V		ケミコン	01
	C125	VR325400 C. MYLAR	0.1uF 100V		マイラーコン	01
	C126	VR325400 C. MYLAR	0.1uF 100V		マイラーコン	01
	C128	UR268220 C. EL	220uF 50V		ケミコン	
	C129	UR268100 C. EL	100uF 50V		ケミコン	
	C130	UA654100 C. MYLAR	0.01uF 50V		KBGEL マイラーコン	01
	C131	UA654100 C. MYLAR	0.01uF 50V		KBGEL マイラーコン	01
	C132	VR325400 C. MYLAR	0.1uF 100V		マイラーコン	01
⚠	C133	VR324900 C. MYLAR	0.1uF 100V		マイラーコン	01
	C134	UA654100 C. MYLAR	0.01uF 50V		KBGEL マイラーコン	01
	C135	UA654100 C. MYLAR	0.01uF 50V		KBGEL マイラーコン	01
	C136	UA654100 C. MYLAR	0.01uF 50V		KBGEL マイラーコン	01
	C137	UA654100 C. MYLAR	0.01uF 50V		KBGEL マイラーコン	01
	C138	UA653470 C. MYLAR	4700pF 50V		KBGEL マイラーコン	01
	C139	UA653470 C. MYLAR	4700pF 50V		KBGEL マイラーコン	01
	C140	UA653470 C. MYLAR	4700pF 50V		KBGEL マイラーコン	01
	C141	UA653470 C. MYLAR	4700pF 50V		KBGEL マイラーコン	01
	C142	UA654220 C. MYLAR	0.022uF 50V		マイラーコン	01
	C143	UA654220 C. MYLAR	0.022uF 50V		マイラーコン	01
	C144	UA654220 C. MYLAR	0.022uF 50V		マイラーコン	01
	C145	UA654220 C. MYLAR	0.022uF 50V		マイラーコン	01
	C252	UR297100 C. EL	10uF 100V		ケミコン	
	C253	UR237100 C. EL	10uF 16V		ケミコン	
	C254	UR237100 C. EL	10uF 16V		ケミコン	
	C256	WE100900 C. PP	220pF 630V		P Pコン	
	C257	UA654220 C. MYLAR	0.022uF 50V		マイラーコン	01
	C258	UA654220 C. MYLAR	0.022uF 50V		マイラーコン	01
	C259	WE100900 C. PP	220pF 630V		P Pコン	
	D3	VD631600 DIODE	1SS133, 176		ダイオード	01
	D4	VD631600 DIODE	1SS133, 176		ダイオード	01
	D5	VD631600 DIODE	1SS133, 176		ダイオード	01
	D6	VD631600 DIODE	1SS133, 176		ダイオード	01
	D7	VD631600 DIODE	1SS133, 176		ダイオード	01
	D8	VD631600 DIODE	1SS133, 176		ダイオード	01
	D9	VD631600 DIODE	1SS133, 176		ダイオード	01
	D2	VD631600 DIODE	1SS133, 176		ダイオード	01

* New Parts * 新規部品

P.C.B. MAIN

Schm Ref.	PART NO.	Description	Remarks	Markets	部 品 名	Rank
D10	VD631600	DIODE	1SS133, 176		ダイオード	01
D11	VD631600	DIODE	1SS133, 176		ダイオード	01
D12	VD631600	DIODE	1SS133, 176		ダイオード	01
D13	VD631600	DIODE	1SS133, 176		ダイオード	01
D14	VD631600	DIODE	1SS133, 176		ダイオード	01
D15	VN008700	DIODE	1SS270A		ダイオード	01
D16	VN008700	DIODE	1SS270A		ダイオード	01
D17	VN008700	DIODE	1SS270A		ダイオード	01
D18	VN008700	DIODE	1SS270A		ダイオード	01
D19	VN008700	DIODE	1SS270A		ダイオード	01
D20	VN008700	DIODE	1SS270A		ダイオード	01
D22	VN008700	DIODE	1SS270A		ダイオード	01
D23	VN008700	DIODE	1SS270A		ダイオード	01
D24	VN008700	DIODE	1SS270A		ダイオード	01
D25	VN008700	DIODE	1SS270A		ダイオード	01
D26	VN008700	DIODE	1SS270A		ダイオード	01
D27	VN008700	DIODE	1SS270A		ダイオード	01
D120	VG442900	DIODE. ZENR	MTZJ27B 27V		ツェナーダイオード	01
D122	VG443200	DIODE. ZENR	MTZJ30A 30V		ツェナーダイオード	01
D123	VG442900	DIODE. ZENR	MTZJ27B 27V		ツェナーダイオード	01
D125	VG442900	DIODE. ZENR	MTZJ27B 27V		ツェナーダイオード	01
D127	VG442900	DIODE. ZENR	MTZJ27B 27V		ツェナーダイオード	01
D129	VG442900	DIODE. ZENR	MTZJ27B 27V		ツェナーダイオード	01
⚠ D133	WA653200	DIODE. BRG	TS6P03G 6.0A 200V		ダイオードブリッジ	04
D134	VG442900	DIODE. ZENR	MTZJ27B 27V		ツェナーダイオード	01
⚠ D141	VS997800	DIODE	1T2		ダイオード	01
⚠ D142	VS997800	DIODE	1T2		ダイオード	01
⚠ D143	VS997800	DIODE	1T2		ダイオード	01
⚠ D144	VS997800	DIODE	1T2		ダイオード	01
D251	VD631600	DIODE	1SS133, 176		ダイオード	01
D252	VG440700	DIODE. ZENR	MTZJ15A 15V		ツェナーダイオード	
D253	VG435500	DIODE. ZENR	MTZJ2.4B 2.4V		ツェナーダイオード	01
D254	VG435500	DIODE. ZENR	MTZJ2.4B 2.4V		ツェナーダイオード	01
G122	V5995800	PLATE. GND			アースプレート	
PN1	V9637500	PIN	L=70 #18		スタイルピン	
PN4	V9637500	PIN	L=70 #18		スタイルピン	
Q1	VC614000	TR	2SB1274 O, R, S		トランジスタ	02
Q2	iA101510	TR	2SA1015 Y		トランジスタ	2 S A 01
⚠ Q3	VK432900	TR	2SD1915F S, T		トランジスタ	01
Q4	VR325600	TR	2SC2229 O, Y		トランジスタ	01
⚠ Q5	VK432900	TR	2SD1915F S, T		トランジスタ	01
Q6	VR325600	TR	2SC2229 O, Y		トランジスタ	01
⚠ Q7	VK432900	TR	2SD1915F S, T		トランジスタ	01
⚠ Q8	VK432900	TR	2SD1915F S, T		トランジスタ	01
Q9	VR325600	TR	2SC2229 O, Y		トランジスタ	01
⚠ Q10	VK432900	TR	2SD1915F S, T		トランジスタ	01
Q11	VR325600	TR	2SC2229 O, Y		トランジスタ	01
⚠ Q12	VK432900	TR	2SD1915F S, T		トランジスタ	01
Q13	VR325600	TR	2SC2229 O, Y		トランジスタ	01

* New Parts * 新規部品

RX-V557/HTR-5850/DSP-AX557
 RX-V457/HTR-5840/DSP-AX457

P.C.B. MAIN

Schm Ref.	PART NO.	Description	Remarks	Markets	部 品 名	Rank
	Q15	VR325600 TR	2SC2229 O, Y		トランジスタ	01
△	Q16A	iX630850 TR	2SA1695 O, P, Y		トランジスタ	04
△	Q16C	iX630860 TR	2SC4468 O, P, Y		トランジスタ	04
△	Q18A	iX630850 TR	2SA1695 O, P, Y		トランジスタ	04
△	Q18C	iX630860 TR	2SC4468 O, P, Y		トランジスタ	04
△	Q20A	iX630850 TR	2SA1695 O, P, Y		トランジスタ	04
△	Q20C	iX630860 TR	2SC4468 O, P, Y		トランジスタ	04
△	Q22A	iX630850 TR	2SA1695 O, P, Y		トランジスタ	04
△	Q22C	iX630860 TR	2SC4468 O, P, Y		トランジスタ	04
△	Q24A	iX630850 TR	2SA1695 O, P, Y		トランジスタ	04
△	Q24C	iX630860 TR	2SC4468 O, P, Y		トランジスタ	04
△	Q26A	iX630850 TR	2SA1695 O, P, Y		トランジスタ	04
△	Q26C	iX630860 TR	2SC4468 O, P, Y		トランジスタ	04
	Q28	WC398400 TR	2SC2N5551C-AT		トランジスタ	
	Q29	WC398400 TR	2SC2N5551C-AT		トランジスタ	
	Q30	WC398400 TR	2SC2N5551C-AT		トランジスタ	
	Q31	WC398400 TR	2SC2N5551C-AT		トランジスタ	
	Q32	WC398400 TR	2SC2N5551C-AT		トランジスタ	
	Q33	WC398400 TR	2SC2N5551C-AT		トランジスタ	
	Q34	WC397700 TR	2SA2N5401C-AT		トランジスタ	
	Q35	iC181510 TR	2SC1815 Y		トランジスタ 2 S C	01
△	Q120	iA101510 TR	2SA1015 Y		トランジスタ 2 S A	01
	Q121	VP872700 TR	2SC4488 S, T		トランジスタ	01
	Q123	VP872700 TR	2SC4488 S, T		トランジスタ	01
	Q124	VP872700 TR	2SC4488 S, T		トランジスタ	01
△	Q125	VP872700 TR	2SC4488 S, T		トランジスタ	01
	Q126	VP872700 TR	2SC4488 S, T		トランジスタ	01
	Q127	VP872700 TR	2SC4488 S, T		トランジスタ	01
	Q251	iC181510 TR	2SC1815 Y		トランジスタ 2 S C	01
△	Q252	VC614000 TR	2SB1274 O, R, S		トランジスタ	02
	Q253	VP872600 TR	2SA1708 S, T		トランジスタ	01
	Q254	iC181510 TR	2SC1815 Y		トランジスタ 2 S C	01
	Q256	V4096100 TR	2SC4614 S, T		トランジスタ	02
	Q257	V4096100 TR	2SC4614 S, T		トランジスタ	02
	Q258	V4096100 TR	2SC4614 S, T		トランジスタ	02
△	Q259	V4096100 TR	2SC4614 S, T		トランジスタ	02
	Q260	V4096100 TR	2SC4614 S, T		トランジスタ	02
	Q261	V4096100 TR	2SC4614 S, T		トランジスタ	02
	Q262	V4096000 TR	2SA1770 S, T		トランジスタ	03
	Q263	V4096000 TR	2SA1770 S, T		トランジスタ	03
△	Q264	V4096000 TR	2SA1770 S, T		トランジスタ	03
△	Q265	V4096000 TR	2SA1770 S, T		トランジスタ	03
	Q266	V4096000 TR	2SA1770 S, T		トランジスタ	03
	Q267	V4096000 TR	2SA1770 S, T		トランジスタ	03
	R9	HV754100 R. CAR. FP	10Ω 1/4W		不燃化カーボン抵抗	01
	R10	HL006270 R. MTL. OXD	2.7KΩ 1/2W		酸化金属被膜抵抗	
	R11	HL005470 R. MTL. OXD	470Ω 1/2W		酸化金属被膜抵抗	
	R12	HL005820 R. MTL. OXD	820Ω 1/2W		酸化金属被膜抵抗	
	R13	HV755100 R. CAR. FP	100Ω 1/4W		不燃化カーボン抵抗	01

* New Parts * 新規部品

P.C.B. MAIN

Schm Ref.	PART NO.	Description	Remarks	Markets	部 品 名	Rank	
R14	HL006270	R. MTL. OXD	2.7KΩ	1/2W		酸化金属被膜抵抗	
R15	HL005470	R. MTL. OXD	470Ω	1/2W		酸化金属被膜抵抗	
R16	HL005820	R. MTL. OXD	820Ω	1/2W		酸化金属被膜抵抗	
R17	HV755100	R. CAR. FP	100Ω	1/4W		不燃化カーボン抵抗	01
R18	HL006270	R. MTL. OXD	2.7KΩ	1/2W		酸化金属被膜抵抗	
R19	HL005470	R. MTL. OXD	470Ω	1/2W		酸化金属被膜抵抗	
R20	HL005820	R. MTL. OXD	820Ω	1/2W		酸化金属被膜抵抗	
R21	HL006270	R. MTL. OXD	2.7KΩ	1/2W		酸化金属被膜抵抗	
R22	HL005470	R. MTL. OXD	470Ω	1/2W		酸化金属被膜抵抗	
R23	HL005820	R. MTL. OXD	820Ω	1/2W		酸化金属被膜抵抗	
R24	HV755100	R. CAR. FP	100Ω	1/4W		不燃化カーボン抵抗	01
R25	HL006270	R. MTL. OXD	2.7KΩ	1/2W		酸化金属被膜抵抗	
R26	HL005470	R. MTL. OXD	470Ω	1/2W		酸化金属被膜抵抗	
R27	HL005820	R. MTL. OXD	820Ω	1/2W		酸化金属被膜抵抗	
R28	HV755100	R. CAR. FP	100Ω	1/4W		不燃化カーボン抵抗	01
R29	HL006270	R. MTL. OXD	2.7KΩ	1/2W		酸化金属被膜抵抗	
R30	HL005470	R. MTL. OXD	470Ω	1/2W		酸化金属被膜抵抗	
R31	HL005820	R. MTL. OXD	820Ω	1/2W		酸化金属被膜抵抗	
R32	HV755100	R. CAR. FP	100Ω	1/4W		不燃化カーボン抵抗	01
R34	HL006100	R. MTL. OXD	1KΩ	1/2W		酸化金属被膜抵抗	
R35	HL006100	R. MTL. OXD	1KΩ	1/2W		酸化金属被膜抵抗	
R36	HL006100	R. MTL. OXD	1KΩ	1/2W		酸化金属被膜抵抗	
R37	HL006100	R. MTL. OXD	1KΩ	1/2W		酸化金属被膜抵抗	
R38	HL006100	R. MTL. OXD	1KΩ	1/2W		酸化金属被膜抵抗	
R39	HL006100	R. MTL. OXD	1KΩ	1/2W		酸化金属被膜抵抗	
R40	HV755100	R. CAR. FP	100Ω	1/4W		不燃化カーボン抵抗	01
R41	V8072100	R. MTL. OXD	5.6KΩ	1W		酸化金属被膜抵抗	
⚠ R45	V3873200	R. WW	0.22Ω	3W		セメント抵抗	02
⚠ R46	V3873200	R. WW	0.22Ω	3W		セメント抵抗	02
⚠ R47	WB279900	R. WW	RGC55C	0.22+0.22		セメント抵抗	
⚠ R48	WB279900	R. WW	RGC55C	0.22+0.22		セメント抵抗	
⚠ R49	WB279900	R. WW	RGC55C	0.22+0.22		セメント抵抗	
⚠ R50	V3873200	R. WW	0.22Ω	3W		セメント抵抗	02
⚠ R71	V8070300	R. MTL. FLM	10Ω	1W		金属被膜抵抗	
⚠ R72	V8070300	R. MTL. FLM	10Ω	1W		金属被膜抵抗	
⚠ R73	V8070300	R. MTL. FLM	10Ω	1W		金属被膜抵抗	
⚠ R74	V8070300	R. MTL. FLM	10Ω	1W		金属被膜抵抗	
⚠ R75	V8070300	R. MTL. FLM	10Ω	1W		金属被膜抵抗	
⚠ R76	V8070300	R. MTL. FLM	10Ω	1W		金属被膜抵抗	
⚠ R108	HV753100	R. CAR. FP	1Ω	1/4W		不燃化カーボン抵抗	01
R118	HV755180	R. CAR. FP	180Ω	1/4W		不燃化カーボン抵抗	01
R123	HV755180	R. CAR. FP	180Ω	1/4W		不燃化カーボン抵抗	01
R124	HV755180	R. CAR. FP	180Ω	1/4W		不燃化カーボン抵抗	01
⚠ R125	HV755100	R. CAR. FP	100Ω	1/4W		不燃化カーボン抵抗	01
⚠ R126	HV756100	R. CAR. FP	1KΩ	1/4W		不燃化カーボン抵抗	01
R131	HV755180	R. CAR. FP	180Ω	1/4W		不燃化カーボン抵抗	01
R136	HV755180	R. CAR. FP	180Ω	1/4W		不燃化カーボン抵抗	01
R139	HV755180	R. CAR. FP	180Ω	1/4W		不燃化カーボン抵抗	01
R168	HV753470	R. CAR. FP	4.7Ω	1/4W		不燃化カーボン抵抗	01

* New Parts * 新規部品

RX-V557/HTR-5850/DSP-AX557
RX-V457/HTR-5840/DSP-AX457

P.C.B. MAIN

Schm Ref.	PART NO.	Description	Remarks	Markets	部 品 名	Rank
	R169 HV753470	R. CAR. FP 4.7Ω 1/4W			不燃化カーボン抵抗	01
△	R170 HV753100	R. CAR. FP 1Ω 1/4W			不燃化カーボン抵抗	01
△	R171 HV753100	R. CAR. FP 1Ω 1/4W			不燃化カーボン抵抗	01
	R172 HV753470	R. CAR. FP 4.7Ω 1/4W			不燃化カーボン抵抗	01
	R173 HV753470	R. CAR. FP 4.7Ω 1/4W			不燃化カーボン抵抗	01
	R210 V8072000	R. MTL. OXD 4.7KΩ 1W			酸化金属被膜抵抗	
	R251 HV756470	R. CAR. FP 4.7KΩ 1/4W			不燃化カーボン抵抗	01
	R256 HV756100	R. CAR. FP 1KΩ 1/4W			不燃化カーボン抵抗	01
	R264 HV754100	R. CAR. FP 10Ω 1/4W			不燃化カーボン抵抗	01
	R265 HV754100	R. CAR. FP 10Ω 1/4W			不燃化カーボン抵抗	01
	R266 HV753470	R. CAR. FP 4.7Ω 1/4W			不燃化カーボン抵抗	01
	R267 HV753470	R. CAR. FP 4.7Ω 1/4W			不燃化カーボン抵抗	01
	R268 HV753470	R. CAR. FP 4.7Ω 1/4W			不燃化カーボン抵抗	01
	R269 HV753470	R. CAR. FP 4.7Ω 1/4W			不燃化カーボン抵抗	01
	R270 HV753470	R. CAR. FP 4.7Ω 1/4W			不燃化カーボン抵抗	01
△	R271 HV753470	R. CAR. FP 4.7Ω 1/4W			不燃化カーボン抵抗	01
	R272 HV753470	R. CAR. FP 4.7Ω 1/4W			不燃化カーボン抵抗	01
	R273 HV753470	R. CAR. FP 4.7Ω 1/4W			不燃化カーボン抵抗	01
	R274 HV753470	R. CAR. FP 4.7Ω 1/4W			不燃化カーボン抵抗	01
	R275 HV753470	R. CAR. FP 4.7Ω 1/4W			不燃化カーボン抵抗	01
	R276 HV753470	R. CAR. FP 4.7Ω 1/4W			不燃化カーボン抵抗	01
	R277 HV753470	R. CAR. FP 4.7Ω 1/4W			不燃化カーボン抵抗	01
	R278 HV755100	R. CAR. FP 100Ω 1/4W			不燃化カーボン抵抗	01
	R279 HV755100	R. CAR. FP 100Ω 1/4W			不燃化カーボン抵抗	01
	R280 HV755100	R. CAR. FP 100Ω 1/4W			不燃化カーボン抵抗	01
	R281 HV755100	R. CAR. FP 100Ω 1/4W			不燃化カーボン抵抗	01
	R282 HV755100	R. CAR. FP 100Ω 1/4W			不燃化カーボン抵抗	01
	R283 HV755100	R. CAR. FP 100Ω 1/4W			不燃化カーボン抵抗	01
	R284 VP939700	R. MTL. FLM 4.7Ω 1W			金属被膜抵抗	01
	R291 HV753470	R. CAR. FP 4.7Ω 1/4W			不燃化カーボン抵抗	01
	R292 HV753470	R. CAR. FP 4.7Ω 1/4W			不燃化カーボン抵抗	01
	R293 VP939700	R. MTL. FLM 4.7Ω 1W			金属被膜抵抗	01
	R294 HV755100	R. CAR. FP 100Ω 1/4W			不燃化カーボン抵抗	01
	R295 HV755100	R. CAR. FP 100Ω 1/4W			不燃化カーボン抵抗	01
△	R296 HV755100	R. CAR. FP 100Ω 1/4W			不燃化カーボン抵抗	01
△	R297 HV755100	R. CAR. FP 100Ω 1/4W			不燃化カーボン抵抗	01
	R298 HV755100	R. CAR. FP 100Ω 1/4W			不燃化カーボン抵抗	01
	R299 HV755100	R. CAR. FP 100Ω 1/4W			不燃化カーボン抵抗	01
	RY121 V5966300	RELAY DS24D2-0S(M)			リレー 24V	05
	RY122 V5966300	RELAY DS24D2-0S(M)			リレー 24V	05
	RY123 V5178900	RELAY DC DQ24D1-0S(M)			リレー 24V	
	RY124 V5966300	RELAY DS24D2-0S(M)			リレー 24V	05
	RY125 V5966300	RELAY DS24D2-0S(M)			リレー 24V	05
*	RY126 WE648700	RELAY DC DH24D2-0-0			リレー 24V	
	ST121 V4040500	SCR. TERM M3			スクリュー/ターミナル	01
	TE120 WC631900	TERM. SP LTS0810-1017FM		JUCRTA	スピーカターミナル	06
*	TE120 WD477500	TERM. SP LTS0810-1015FM		KBGEL	スピーカターミナル	
	TE121 WC631900	TERM. SP LTS0810-1017FM		JUCRTA	スピーカターミナル	06
*	TE121 WD477500	TERM. SP LTS0810-1015FM		KBGEL	スピーカターミナル	

* New Parts * 新規部品

P.C.B. MAIN & P.C.B. POWER

Schm Ref.	PART NO.	Description	Remarks	Markets	部 品 名	Rank
*	WE774200	SCR. BND. HD 3x10 MFZ2W3			バインドBタイトネジ	
*	WE588700	P. C. B. POWER	557, 5850		P C B パワー	
*	WE588800	P. C. B. POWER	457, 5840		P C B パワー	
	CB351	VM923600 CN. BS. PIN	13P		F F Cコネクター	01
	CB352	VK026700 CN. BS. PIN	8P		ワイヤートラップ	01
	CB353	VB858300 CN. BS. PIN	4P		コネクタベースポスト	01
	CB354	LB919070 CN. BS. PIN	7P		ベース付ポスト	01
	CB355	LB918030 CN. BS. PIN	3P		ベース付ポスト	01
	CB359	VK026700 CN. BS. PIN	8P		ワイヤートラップ	01
	C301	UR237100 C. EL	10uF 16V		ケミコン	
	C302	UR837100 C. EL	10uF 16V		ケミコン	01
	C303	UR237100 C. EL	10uF 16V		ケミコン	
	C304	UR237100 C. EL	10uF 16V		ケミコン	
	C305	UR837100 C. EL	10uF 16V		ケミコン	01
	C306	UT952100 C. PP	100pF 100V		P Pコン	
	C307	UT952220 C. PP	220pF 100V		P Pコン	
	C308	UT952100 C. PP	100pF 100V		P Pコン	
	C309	UT952220 C. PP	220pF 100V		P Pコン	
	C310	UA652100 C. MYLAR	100pF 50V		マイラーコン	01
	C311	UA652220 C. MYLAR	220pF 50V		マイラーコン	01
	C312	UA652100 C. MYLAR	100pF 50V		マイラーコン	01
	C313	UA652220 C. MYLAR	220pF 50V		マイラーコン	01
	C314	UT952100 C. PP	100pF 100V		P Pコン	
	C315	UT952220 C. PP	220pF 100V		P Pコン	
	C316	UT953330 C. PP	3300pF 100V		P Pコン	
	C317	UT953330 C. PP	3300pF 100V		P Pコン	
	C318	UA653330 C. MYLAR	3300pF 50V		マイラーコン	01
	C319	UA653330 C. MYLAR	3300pF 50V		マイラーコン	01
	C320	UT953330 C. PP	3300pF 100V		P Pコン	
	C321	UR268100 C. EL	100uF 50V		ケミコン	
	C322	UR268100 C. EL	100uF 50V		ケミコン	
	C323	UR837470 C. EL	47uF 16V		ケミコン	01
	C324	UR837470 C. EL	47uF 16V		ケミコン	01
	C325	UR268100 C. EL	100uF 50V		ケミコン	
	C326	WA970300 C. CE	22pF 500V		セラコン (C H)	
	C327	FU451220 C. MICA	22pF 500V		マイカコン	01
	C328	FU451220 C. MICA	22pF 500V		マイカコン	01
	C329	WA970300 C. CE	22pF 500V		セラコン (C H)	
	C330	FU451220 C. MICA	22pF 500V		マイカコン	01
	C331	VJ599100 C. CE. TUBLR	0.1uF 50V		円筒セラコン	01
	C332	UR266100 C. EL	1uF 50V		ケミコン	
	C333	UR266100 C. EL	1uF 50V		ケミコン	
	C334	VR325400 C. MYLAR	0.1uF 50V		マイラーコン	01
	C337	UR837100 C. EL	10uF 16V		ケミコン	01
	C340	UA652100 C. MYLAR	100pF 50V		マイラーコン	01
	C341	UA652220 C. MYLAR	220pF 50V		マイラーコン	01

* New Parts * 新規部品

RX-V557/HTR-5850/DSP-AX557
 RX-V457/HTR-5840/DSP-AX457

P.C.B. POWER

Schm Ref.	PART NO.	Description	Remarks	Markets	部 品 名	Rank
C342	UR266100	C. EL	1uF 50V		ケミコン	
C343	UR266100	C. EL	1uF 50V	457, 5840	ケミコン	
C346	UA653330	C. MYLAR	3300pF 50V		マイラーコン	01
C347	UR837470	C. EL	47uF 16V		ケミコン	01
C349	WA970300	C. CE	22pF 500V		セラコン (CH)	
C350	UR238100	C. EL	100uF 16V		ケミコン	
C353	UR23A100	C. EL	10000uF 16V		ケミコン	
C357	UR23A100	C. EL	10000uF 16V		ケミコン	
C358	UR23A100	C. EL	10000uF 16V		ケミコン	
C359	UR23A100	C. EL	10000uF 16V		ケミコン	
C360	UR249680	C. EL	6800uF 25V		ケミコン	
C361	UR249220	C. EL	2200uF 25V		ケミコン	
C365	VR325200	C. MYLAR	0.022uF 100V		マイラーコン	
C366	VR325200	C. MYLAR	0.022uF 100V		マイラーコン	
C367	VR325400	C. MYLAR	0.1uF 100V		マイラーコン	
C368	VR325400	C. MYLAR	0.1uF 100V		マイラーコン	
C370	UT952220	C. PP	220pF 100V		PPコン	
C371	UR238100	C. EL	100uF 16V		ケミコン	
D301	VD631600	DIODE	1SS133, 176		ダイオード	01
D302	VD631600	DIODE	1SS133, 176		ダイオード	01
△ D312	WA653100	DIODE. BRG	KBP103G 1.0A 200V		ダイオードブリッジ	02
△ D313	VN011300	DIODE. BRG	D3SBA20 4A 200V		ダイオード	03
△ IC301	X0515A00	IC	LM61C1Z THERMAL		電源IC	03
△ IC302	XJ608A00	IC	NJM7812FA		IC	02
△ IC303	XD343A00	IC	NJM79M12FA		IC	03
△ IC304	XJ607A00	IC	NJM7805FA 5V		IC	02
△ IC305	XE436A00	IC	NJM79M05FA	457, 5840	IC	03
△ IC306	X6248A00	IC	NJM2388F33		電源IC	
PN2	V9637500	PIN	L=70 #18		スタイルピン	
PN3	V9637500	PIN	L=70 #18		スタイルピン	
PN301	V9637500	PIN	L=70 #18		スタイルピン	
PN302	V9637500	PIN	L=70 #18		スタイルピン	
PN303	V9637500	PIN	L=70 #18		スタイルピン	
PN304	V9637500	PIN	L=70 #18		スタイルピン	
PN305	V9637500	PIN	L=70 #18		スタイルピン	
Q301	VP883100	TR	2SC1890A D, E		トランジスタ	01
Q302	VP883100	TR	2SC1890A D, E		トランジスタ	01
Q303	VP883100	TR	2SC1890A D, E		トランジスタ	01
Q304	VP883100	TR	2SC1890A D, E		トランジスタ	01
Q305	VP883100	TR	2SC1890A D, E		トランジスタ	01
Q306	VP883100	TR	2SC1890A D, E		トランジスタ	01
Q307	VP883100	TR	2SC1890A D, E		トランジスタ	01
Q308	VP883100	TR	2SC1890A D, E		トランジスタ	01
Q309	VP883100	TR	2SC1890A D, E		トランジスタ	01
Q310	VP883100	TR	2SC1890A D, E		トランジスタ	01
Q311	V3966800	TR	2SA949 0, Y		トランジスタ	02
Q312	V3966800	TR	2SA949 0, Y		トランジスタ	02
Q313	V3966800	TR	2SA949 0, Y		トランジスタ	02
Q314	V3966800	TR	2SA949 0, Y		トランジスタ	02

* New Parts * 新規部品

P.C.B. POWER & P.C.B. SUBTRANS

Schm Ref.	PART NO.	Description	Remarks	Markets	部 品 名	Rank	
Q315	V3966800	TR	2SA949 O,Y		トランジスタ	02	
Q323	VP883100	TR	2SC1890A D,E		トランジスタ	01	
Q325	VP883100	TR	2SC1890A D,E		トランジスタ	01	
Q327	V3966800	TR	2SA949 O,Y		トランジスタ	02	
R306	HF356100	R. CAR	1KΩ 1/2W		カーボン抵抗		
R307	HF356100	R. CAR	1KΩ 1/2W		カーボン抵抗		
R310	HF356100	R. CAR	1KΩ 1/2W		カーボン抵抗		
R331	HF355330	R. CAR	330Ω 1/2W		カーボン抵抗		
R332	HF355330	R. CAR	330Ω 1/2W		カーボン抵抗		
R335	HF355330	R. CAR	330Ω 1/2W		カーボン抵抗		
R336	HF356120	R. CAR	1.2KΩ 1/2W		カーボン抵抗		
R337	HF356120	R. CAR	1.2KΩ 1/2W		カーボン抵抗		
R340	HF356120	R. CAR	1.2KΩ 1/2W		カーボン抵抗		
R342	HF357330	R. CAR	33KΩ 1/2W		カーボン抵抗		
R343	HF357330	R. CAR	33KΩ 1/2W		カーボン抵抗		
R345	HF357330	R. CAR	33KΩ 1/2W		カーボン抵抗		
R346	HV755100	R. CAR. FP	100Ω 1/4W		不燃化カーボン抵抗	01	
R347	HV755100	R. CAR. FP	100Ω 1/4W		不燃化カーボン抵抗	01	
R348	HV755100	R. CAR. FP	100Ω 1/4W		不燃化カーボン抵抗	01	
R349	HV755100	R. CAR. FP	100Ω 1/4W		不燃化カーボン抵抗	01	
R350	HV755100	R. CAR. FP	100Ω 1/4W		不燃化カーボン抵抗	01	
R353	HF355470	R. CAR	470Ω 1/2W		カーボン抵抗		
R354	HF355470	R. CAR	470Ω 1/2W		カーボン抵抗		
R355	HF355470	R. CAR	470Ω 1/2W		カーボン抵抗		
R386	HV755100	R. CAR. FP	100Ω 1/4W		不燃化カーボン抵抗	01	
R462	HF353220	R. CAR	2.2Ω 1/2W		カーボン抵抗		
* * * * *	WE589100	P. C. B.	SUBTRANS	557	J	P C B サブトランス	
* * * * *	WE589200	P. C. B.	SUBTRANS	557	UC	P C B サブトランス	
* * * * *	WE589400	P. C. B.	SUBTRANS	557	R	P C B サブトランス	
* * * * *	WE589500	P. C. B.	SUBTRANS	557, 5850	T	P C B サブトランス	
* * * * *	WE589600	P. C. B.	SUBTRANS	557, 5850	K	P C B サブトランス	
* * * * *	WE589700	P. C. B.	SUBTRANS	557	A	P C B サブトランス	
* * * * *	WE589800	P. C. B.	SUBTRANS	557	B	P C B サブトランス	
* * * * *	WE589900	P. C. B.	SUBTRANS	557	GE	P C B サブトランス	
* * * * *	WE590000	P. C. B.	SUBTRANS	557	L	P C B サブトランス	
* * * * *	WE590100	P. C. B.	SUBTRANS	5850	UC	P C B サブトランス	
* * * * *	WE590300	P. C. B.	SUBTRANS	5850	A	P C B サブトランス	
* * * * *	WE590400	P. C. B.	SUBTRANS	457	J	P C B サブトランス	
* * * * *	WE590500	P. C. B.	SUBTRANS	457, 5840	UC	P C B サブトランス	
* * * * *	WE590700	P. C. B.	SUBTRANS	457	R	P C B サブトランス	
* * * * *	WE590800	P. C. B.	SUBTRANS	457, 5840	T	P C B サブトランス	
* * * * *	WE590900	P. C. B.	SUBTRANS	457, 5840	K	P C B サブトランス	
* * * * *	WE591000	P. C. B.	SUBTRANS	457, 5840	A	P C B サブトランス	
* * * * *	WE591100	P. C. B.	SUBTRANS	457, 5840	B	P C B サブトランス	
* * * * *	WE591200	P. C. B.	SUBTRANS	457, 5840	GE	P C B サブトランス	
* * * * *	WE591300	P. C. B.	SUBTRANS	457	L	P C B サブトランス	

* New Parts * 新規部品

RX-V557/HTR-5850/DSP-AX557
 RX-V457/HTR-5840/DSP-AX457

P.C.B. SUBTRANS

Schm Ref.	PART NO.	Description	Remarks	Markets	部 品 名	Rank		
	CB291	V9377800	CN. BS. PIN	3P SE VHSERIES		RL	ベース付ポスト	
	CB292	V9377900	CN. BS. PIN	4P SE VHSERIES		RL	ベース付ポスト	
⚠	CB293	WC050700	CLIP. FUSE	EYF52BCY		R	ヒューズクリップ	01
⚠	CB294	WC050700	CLIP. FUSE	EYF52BCY		R	ヒューズクリップ	01
	CB401	V7827300	SOCKET	6P TE TUC SERIES			コネクターソケット	
⚠	CB402	VG879900	CN. BS. PIN	2P			ベースピン	01
⚠	CB403	WC050700	CLIP. FUSE	EYF52BCY		UCGE	ヒューズクリップ	01
⚠	CB404	WC050700	CLIP. FUSE	EYF52BCY		UCGE	ヒューズクリップ	01
⚠	CB405	WC050700	CLIP. FUSE	EYF52BCY			ヒューズクリップ	01
⚠	CB406	WC050700	CLIP. FUSE	EYF52BCY			ヒューズクリップ	01
⚠	CB407	VG879900	CN. BS. PIN	2P			ベースピン	01
	CB441	V7826600	CN	16P TE TUC SERIES			コネクタープラグ	01
	CB442	V7828300	SOCKET	16P TE TUC SERIES			コネクターソケット	01
	CB445	V7825500	CN	5P TE TUC SERIES	557, 5850		コネクタープラグ	01
	CB446	V7825500	CN	5P TE TUC SERIES	557, 5850		コネクタープラグ	01
	CB451	VM929900	CN. BS. PIN	15P			F P Cコネクター	01
	CB452	VF982300	CN. BS. PIN	17P			F F Cコネクター	01
	CB453	VB858500	CN. BS. PIN	6P			ベースピン	01
	CB454	VQ044500	CN. BS. PIN	11P		UC	F F Cコネクター	01
	CB456	VQ045100	CN. BS. PIN	21P			F F Cコネクター	02
	CB457	V7826800	CN	18P TE TUC SERIES			コネクタープラグ	
	CB458	VQ044400	CN. BS. PIN	9P			F F Cコネクター	01
	CB460	V7827000	CN	20P TE TUC SERIES			コネクタープラグ	01
	CB461	V7825800	CN	8P TE TUC SERIES			コネクタープラグ	
	CB462	V7826100	CN	11P TE TUC SERIES			コネクタープラグ	01
	CB463	V7825900	CN	9P TE TUC SERIES	557, 5850		コネクタープラグ	
	CB463	V7825900	CN	9P TE TUC SERIES	457, 5840	UCRTKABGEL	コネクタープラグ	
	CB601	V7827800	SOCKET	11P SE TUC SERIES			コネクターソケット	
	CB602	V7827200	SOCKET	5P TE TUC SERIES	557, 5850		コネクターソケット	
	CB701	V7827600	SOCKET	9P SE TUC SERIES	457, 5840	UCRTKABGEL	コネクターソケット	
	CB751	V7828300	SOCKET	16P TE TUC SERIES			コネクターソケット	01
	CB901	V7827500	SOCKET	8P SE TUC SERIES			コネクターソケット	
	C402	UR866220	C. EL	2.2uF 50V			ケミコン	01
	C403	UR866220	C. EL	2.2uF 50V			ケミコン	01
	C404	UA654100	C. MYLAR	0.01uF 50V			マイラーコン	01
	C405	WB687100	C. POL. MTL	0.047uF 400V		JUC	メタライズドポリコン	01
	C405	WC041600	C. PP	0.022uF 630V		RTKABGEL	P Pコン	01
	C406	UR866100	C. EL	1uF 50V			ケミコン	01
	C407	UA653470	C. MYLAR	4700pF 50V			マイラーコン	01
	C408	UA653100	C. MYLAR	1000pF 50V			マイラーコン	03
	C409	WB696300	C. POL. MTL	0.1uF 400V		JUC	メタライズドポリコン	
*	C409	WD257600	C. PP	0.047uF 800V		RTKABGEL	P Pコン	
⚠	C410	V6185300	C. CE. SAFTY	0.01uF 275V			規格認定コン	
	C411	URO39330	C. EL	3300uF 16V		JUCTKABGEL	ケミコン	
*	C411	URO69330	C. EL	3300uF 50V		R	ケミコン	
*	C412	WE102900	C. PP	0.01uF 100V			P Pコン	
	C451	UR877100	C. EL	10uF 63V			ケミコン	01
	C452	UR837100	C. EL	10uF 16V	557	JRTK	ケミコン	01
	C452	UR837100	C. EL	10uF 16V			ケミコン	01

* New Parts * 新規部品

P.C.B. SUBTRANS

Schm Ref.	PART NO.	Description	Remarks	Markets	部 品 名	Rank
C453	UR818220	C. EL 220uF 6.3V			ケミコン	01
C454	WB165500	C. EL 0.33F 5.5V			ゴールドキャパシタ	
C455	UR818220	C. EL 220uF 6.3V			ケミコン	01
C456	UR818100	C. EL 100uF 6.3V			ケミコン	01
C458	UR837330	C. EL 33uF 16V			ケミコン	01
C464	UR866220	C. EL 2.2uF 50V			ケミコン	01
C465	UR866220	C. EL 2.2uF 50V	557	UCABGE	ケミコン	01
C466	UR866220	C. EL 2.2uF 50V			ケミコン	01
C467	UR866220	C. EL 2.2uF 50V			ケミコン	01
C468	UR866220	C. EL 2.2uF 50V			ケミコン	01
C475	UR837470	C. EL 47uF 16V			ケミコン	01
C476	UR837470	C. EL 47uF 16V			ケミコン	01
C477	UR837100	C. EL 10uF 16V			ケミコン	01
C481	UR837470	C. EL 47uF 16V		BGE	ケミコン	01
C482	UR837470	C. EL 47uF 16V		BGE	ケミコン	01
C487	UR837470	C. EL 47uF 16V		BGE	ケミコン	01
C488	UR868100	C. EL 100uF 50V			ケミコン	01
C500	UR837470	C. EL 47uF 16V	5850	UC	ケミコン	01
C603	UR837100	C. EL 10uF 16V			ケミコン	01
C604	UR837100	C. EL 10uF 16V			ケミコン	01
C605	UR837100	C. EL 10uF 16V			ケミコン	01
C608	UR837100	C. EL 10uF 16V			ケミコン	01
C609	UR837100	C. EL 10uF 16V			ケミコン	01
C610	UR837100	C. EL 10uF 16V			ケミコン	01
C612	UR829100	C. EL 1000uF 10V			ケミコン	01
C614	UR829100	C. EL 1000uF 10V			ケミコン	01
C619	UR838470	C. EL 470uF 16V			ケミコン	01
C620	UR838100	C. EL 100uF 16V	557, 5850		ケミコン	01
C621	UR838100	C. EL 100uF 16V	557, 5850		ケミコン	01
C624	UR837470	C. EL 47uF 16V	557, 5850		ケミコン	01
C625	UR837470	C. EL 47uF 16V	557, 5850		ケミコン	01
C626	UA653220	C. MYLAR 2200pF 50V	557, 5850		マイラーコン	01
C628	UR866470	C. EL 4.7uF 50V	557, 5850		ケミコン	01
C629	UR837470	C. EL 47uF 16V	557, 5850		ケミコン	01
C633	UR838100	C. EL 100uF 16V	557, 5850		ケミコン	01
C634	UR838100	C. EL 100uF 16V	557, 5850		ケミコン	01
C635	UR837100	C. EL 10uF 16V	557, 5850		ケミコン	01
C637	UR838100	C. EL 100uF 16V	557, 5850		ケミコン	01
C639	UR837100	C. EL 10uF 16V	557, 5850		ケミコン	01
C648	UR866470	C. EL 4.7uF 50V	557, 5850		ケミコン	01
C652	UR838100	C. EL 100uF 16V	557, 5850		ケミコン	01
C653	UR818330	C. EL 330uF 6.3V	557, 5850		ケミコン	01
C658	UR866470	C. EL 4.7uF 50V	557, 5850		ケミコン	01
C704	UR837100	C. EL 10uF 16V	457, 5840	UCRTKABGEL	ケミコン	01
C705	UR837100	C. EL 10uF 16V	457, 5840	UCRTKABGEL	ケミコン	01
C706	UR837100	C. EL 10uF 16V	457, 5840	UCRTKABGEL	ケミコン	01
C709	UR838100	C. EL 100uF 16V	457, 5840	UCRTKABGEL	ケミコン	01
C710	UR838100	C. EL 100uF 16V	457, 5840	UCRTKABGEL	ケミコン	01
C754	FG651470	C. CE 47pF 50V	557	UCABGE	セラコン	01

* New Parts * 新規部品

RX-V557/HTR-5850/DSP-AX557
RX-V457/HTR-5840/DSP-AX457

P.C.B. SUBTRANS

Schm Ref.	PART NO.	Description	Remarks	Markets	部 品 名	Rank	
C755	FG651470	C. CE	47pF 50V	557	UCABGE	セラコン	01
C756	UA654100	C. MYLAR	0.01uF 50V			マイラーコン	01
C757	UA652220	C. MYLAR	220pF 50V			マイラーコン	01
C758	UA652220	C. MYLAR	220pF 50V			マイラーコン	01
C759	UA652220	C. MYLAR	220pF 50V			マイラーコン	01
C760	UA652220	C. MYLAR	220pF 50V			マイラーコン	01
C761	UA652220	C. MYLAR	220pF 50V			マイラーコン	01
C762	UA652220	C. MYLAR	220pF 50V			マイラーコン	01
C763	FG651470	C. CE	47pF 50V			セラコン	01
C764	FG651470	C. CE	47pF 50V			セラコン	01
C765	UR837100	C. EL	10uF 16V			ケミコン	01
C766	UR837100	C. EL	10uF 16V			ケミコン	01
C767	UR837100	C. EL	10uF 16V	557	UCABGE	ケミコン	01
C768	UR837100	C. EL	10uF 16V	557	UCABGE	ケミコン	01
C903	UR837100	C. EL	10uF 16V			ケミコン	01
C904	UR837100	C. EL	10uF 16V			ケミコン	01
C905	UR837100	C. EL	10uF 16V			ケミコン	01
C906	UR829100	C. EL	1000uF 10V			ケミコン	01
C907	UR829100	C. EL	1000uF 10V			ケミコン	01
C909	UR837100	C. EL	10uF 16V	557, 5850		ケミコン	01
C910	UR838470	C. EL	470uF 16V			ケミコン	01
C911	UR837100	C. EL	10uF 16V			ケミコン	01
D401	VT332900	DIODE	1SS355			ダイオード	01
D402	VT332900	DIODE	1SS355			ダイオード	01
D403	VU990500	DIODE. ZENR	MA8030-L 2.9V			ツェナーダイオード	
D404	VU993800	DIODE. ZENR	MA8068-M 6.8V			ツェナーダイオード	01
D405	VU995400	DIODE. ZENR	MA8100-M 10V			ツェナーダイオード	
D406	VT332900	DIODE	1SS355			ダイオード	01
D407	VU995000	DIODE. ZENR	MA8091-M 9.1V			ツェナーダイオード	
D408	V4756800	DIODE	S1NB60 1.0A 600V			D i スタック	01
D409	VT332900	DIODE	1SS355			ダイオード	01
D410	VR253700	DIODE. BRG	S1NB20 1A 200V			D l ブリッジ X 4	02
D411	VT332900	DIODE	1SS355			ダイオード	01
D412	VT332900	DIODE	1SS355		R	ダイオード	01
D413	VT332900	DIODE	1SS355		R	ダイオード	01
D451	VT332900	DIODE	1SS355			ダイオード	01
D452	VT332900	DIODE	1SS355			ダイオード	01
D453	VT332900	DIODE	1SS355			ダイオード	01
D454	VT332900	DIODE	1SS355			ダイオード	01
D455	VU992600	DIODE. ZENR	MA8051-M 5.1V			ツェナーダイオード	01
D456	VU992600	DIODE. ZENR	MA8051-M 5.1V			ツェナーダイオード	01
D457	VU992600	DIODE. ZENR	MA8051-M 5.1V			ツェナーダイオード	01
D458	VU992600	DIODE. ZENR	MA8051-M 5.1V			ツェナーダイオード	01
D459	VU993000	DIODE. ZENR	MA8056-M 5.6V			ツェナーダイオード	01
D461	VU993800	DIODE. ZENR	MA8068-M 6.8V	5850	UC	ツェナーダイオード	01
D601	VT332900	DIODE	1SS355	557, 5850		ダイオード	01
D602	VT332900	DIODE	1SS355	557, 5850		ダイオード	01
D603	VT332900	DIODE	1SS355	557, 5850		ダイオード	01
D604	VT332900	DIODE	1SS355	557, 5850		ダイオード	01

* New Parts * 新規部品

P.C.B. SUBTRANS

Schm Ref.	PART NO.	Description	Remarks	Markets	部 品 名	Rank	
D606	VT332900	DIODE	1SS355	557, 5850		ダイオード	01
D607	VT332900	DIODE	1SS355	557, 5850		ダイオード	01
D608	VT332900	DIODE	1SS355	557, 5850		ダイオード	01
D609	VT332900	DIODE	1SS355	557, 5850		ダイオード	01
D610	VT332900	DIODE	1SS355	557, 5850		ダイオード	01
D791	VT332900	DIODE	1SS355	557	UCABGE	ダイオード	01
D792	VT332900	DIODE	1SS355	557	UCABGE	ダイオード	01
D793	VT332900	DIODE	1SS355	557	UCABGE	ダイオード	01
△ F1	VS823300	FUSE	T8A 125V		JUCR	ヒューズ	02
△ F1	KB000790	FUSE	T4A 250V		TKABGEL	ヒューズ	01
△ F2	VS823300	FUSE	T8A 125V		UC	ヒューズ	02
△ F2	VT942900	FUSE	T2.5A 250V		GE	ヒューズ	01
△ F3	KB000790	FUSE	T4A 250V		R	ヒューズ	01
IC401	V8100500	PHOT. CPL	TLP421 GR			フォトカプラ	01
△ IC402	iG001180	IC	TC4013BP FF			ロジックIC	05
IC403	V8100500	PHOT. CPL	TLP421 GR			フォトカプラ	01
IC451	X6618A00	IC. CPU	M30622MWP-229FP	MASK ROM		IC CPU	
IC452	X5041A00	IC	NJU7201L55 5.5V			電源IC SIL	02
IC453	X0082A00	IC	LC72722PM		BGE	IC SOP	
IC601	XH436A00	IC	LA7956			IC	03
IC602	XH436A00	IC	LA7956			IC	03
IC603	XY879A00	IC	TC74HC4053AF(EL)	557, 5850		ロジックIC SOP	03
IC606	XY879A00	IC	TC74HC4053AF(EL)	557, 5850		ロジックIC SOP	03
IC607	XW939A00	IC	TK15420M VIDEO AMP	557, 5850		アンプIC SOP	03
IC608	XW939A00	IC	TK15420M VIDEO AMP	557, 5850		アンプIC SOP	03
IC609	XD598A00	IC	TC74HCU04AFEL INV	557, 5850		ロジックIC	01
IC701	XY879A00	IC	TC74HC4053AF(EL)	457, 5840	UCRTKABGEL	ロジックIC SOP	03
IC702	X2904A00	IC	NJM2581M VIDEO AMP	457, 5840	UCRTKABGEL	アンプIC SOP	06
IC901	XH436A00	IC	LA7956			IC	03
JK451	V9435700	JACK. MNI	MSJ-035-12APC	5850	UC	モノラル ミニジャック	
JK601	VS867300	CN. DIN	4P YKF51-5501			DINコネクタ	03
JK602	V9273500	CN. DIN	2P YKF51-5605			DINコネクタ 2P	
JK603	V9273500	CN. DIN	2P YKF51-5605			DINコネクタ 2P	
JK791	V9435700	JACK. MNI	MSJ-035-12APC	557	UCABGE	モノラル ミニジャック	
JK792	WD195900	JACK	2P	557	UCABGE	ミニ ジャック	
PJ701	V8143900	JACK. PIN	9P SHIELD YKC21	457, 5840	UCRTKABGEL	ピンジャック	04
PJ751	V7046700	JACK. PIN	4P MSP-244V1-01NI			ピンジャック	03
PJ752	V7046700	JACK. PIN	4P MSP-244V1-01NI	557	JRTK	ピンジャック	03
PJ752	V7046800	JACK. PIN	6P MSP-246V1-01NI	557	UCABGE	ピンジャック	
PJ752	V7046700	JACK. PIN	4P MSP-244V1-01NI	5850, 457, 5840		ピンジャック	03
PJ753	V7189700	JACK. PIN	1P			ピンジャック	01
PJ901	V7190000	JACK. PIN	2P			ピンジャック	
PJ902	V7190000	JACK. PIN	2P			ピンジャック	
PJ903	V7189800	JACK. PIN	1P			ピンジャック	01
PN401	V9637500	PIN	L=70 #18			スタイルピン	
PN451	V9637500	PIN	L=70 #18			スタイルピン	
Q401	iC181510	TR	2SC1815 Y			トランジスタ 2SC	01
Q402	VV655700	TR. DGT	DTC144EKA			デジタルトランジスタ	01
Q403	iC181510	TR	2SC1815 Y			トランジスタ 2SC	01

* New Parts * 新規部品

P.C.B. SUBTRANS

Schm Ref.	PART NO.	Description	Remarks	Markets	部 品 名	Rank
△ Q404	WC741200	FET	2SK3850		F E T	
Q451	VP872600	TR	2SA1708 S, T		トランジスタ	01
Q452	VV655700	TR. DGT	DTC144EKA		デジタルトランジスタ	01
Q453	VV556500	TR	2SA1037K Q, R, S		トランジスタ	01
Q454	VV556500	TR	2SA1037K Q, R, S	557	UCABGE	01
Q455	VV556500	TR	2SA1037K Q, R, S		トランジスタ	01
Q456	VV556500	TR	2SA1037K Q, R, S		トランジスタ	01
Q457	VV556500	TR	2SA1037K Q, R, S		トランジスタ	01
Q458	iC181510	TR	2SC1815 Y		トランジスタ 2 S C	01
Q459	iC174020	TR	2SC1740S QRS		BGE	01
Q460	VV655700	TR. DGT	DTC144EKA	5850	UC	01
Q462	VP872600	TR	2SA1708 S, T	5850	UC	01
Q464	VV655300	TR. DGT	DTA144EKA	5850	UC	01
Q601	iC174020	TR	2SC1740S QRS	557, 5850		01
Q602	iC174020	TR	2SC1740S QRS			01
Q603	iC174020	TR	2SC1740S QRS			01
Q604	iC174020	TR	2SC1740S QRS	557, 5850		01
Q605	iC174020	TR	2SC1740S QRS			01
Q606	iC174020	TR	2SC1740S QRS			01
Q607	iC174020	TR	2SC1740S QRS			01
Q608	iC174020	TR	2SC1740S QRS			01
Q610	iC174020	TR	2SC1740S QRS	557, 5850		01
Q611	iC174020	TR	2SC1740S QRS	557, 5850		01
Q612	iC174020	TR	2SC1740S QRS	557, 5850		01
Q613	iC053540	TR	2SC535 A, B, C	557, 5850		01
Q614	iA101510	TR	2SA1015 Y	557, 5850		01
Q615	iC224030	TR	2SC2240 GR, BL	557, 5850		01
Q701	VV556400	TR	2SC2412K Q, R, S	457, 5840	UCRTKABGEL	01
Q751	VZ725900	TR	2SD1938F S, T	557	UCABGE	01
Q752	VZ725900	TR	2SD1938F S, T	557	UCABGE	01
Q754	VZ725900	TR	2SD1938F S, T	557	UCABGE	01
Q755	VZ725900	TR	2SD1938F S, T	557	UCABGE	01
Q791	VP872600	TR	2SA1708 S, T	557	UCABGE	01
Q792	VV655700	TR. DGT	DTC144EKA	557	UCABGE	01
Q901	iC174020	TR	2SC1740S QRS			01
Q902	iC174020	TR	2SC1740S QRS	557, 5850		01
Q903	iC174020	TR	2SC1740S QRS			01
Q904	iC174020	TR	2SC1740S QRS			01
R410	V6730000	R. CAR.	2.2MΩ 1/2W		UC	01
R419	HF356220	R. CAR	2.2KΩ 1/2W			01
R516	HV753220	R. CAR. FP	2.2Ω 1/4W			01
R575	WB784200	R. MTL. OXD	1.5Ω 1W	5850	UC	01
R576	WB784200	R. MTL. OXD	1.5Ω 1W	5850	UC	01
R615	HV755270	R. CAR. FP	270Ω 1/4W	557, 5850		01
R618	HV755470	R. CAR. FP	470Ω 1/4W			01
R619	HV755270	R. CAR. FP	270Ω 1/4W			01
R620	HV755470	R. CAR. FP	470Ω 1/4W	557, 5850		01
R629	HV753470	R. CAR. FP	4.7Ω 1/4W			01
R661	HV755470	R. CAR. FP	470Ω 1/4W	557, 5850		01

* New Parts * 新規部品

P.C.B. SUBTRANS & P.C.B. CONVERSION

Schm Ref.	PART NO.	Description	Remarks	Markets	部 品 名	Rank	
R663	HV755470	R. CAR. FP	470Ω 1/4W	557, 5850		不燃化カーボン抵抗	01
R667	HV753470	R. CAR. FP	4.7Ω 1/4W	557, 5850		不燃化カーボン抵抗	01
R672	HV755470	R. CAR. FP	470Ω 1/4W	557, 5850		不燃化カーボン抵抗	01
R675	HV754220	R. CAR. FP	22Ω 1/4W	557, 5850		不燃化カーボン抵抗	01
R676	HV755470	R. CAR. FP	470Ω 1/4W	557, 5850		不燃化カーボン抵抗	01
R686	HV755220	R. CAR. FP	220Ω 1/4W	557, 5850		不燃化カーボン抵抗	01
R687	HV755220	R. CAR. FP	220Ω 1/4W	557, 5850		不燃化カーボン抵抗	01
R716	HV753100	R. CAR. FP	1Ω 1/4W	457, 5840	UCRTKABGEL	不燃化カーボン抵抗	01
R717	HV753100	R. CAR. FP	1Ω 1/4W	457, 5840	UCRTKABGEL	不燃化カーボン抵抗	01
R908	HV755270	R. CAR. FP	270Ω 1/4W			不燃化カーボン抵抗	01
R910	HV755270	R. CAR. FP	270Ω 1/4W	557, 5850		不燃化カーボン抵抗	01
R916	HV754100	R. CAR. FP	10Ω 1/4W			不燃化カーボン抵抗	01
△ RY401	WE513800	RELAY	DC HRM3H-DC12V			リレー 12V	
△ ST401	V4040500	SCR. TERM	M3			スクリュー/ターミナル	01
△ ST402	V4040500	SCR. TERM	M3			スクリュー/ターミナル	01
△ ST451	V4040500	SCR. TERM	M3			スクリュー/ターミナル	01
△ SW291	WB493700	VOLT. SELCT	R8140246		R	電圧切替器	
△ SW291	WD073700	VOLT. SELCT	R8140254		L	電圧切替器	
△ T401	XW605A00	TRANS. PWR			J	電源トランス	04
△ T401	XW606A00	TRANS. PWR			UC	電源トランス	
* △ T401	X6351A00	TRANS. PWR			R	電源トランス	
△ T401	XW608A00	TRANS. PWR			TKABGEL	電源トランス	
△ TE401	VU543100	OUTLET. AC	2P		JUC	ACアウトレット	03
△ TE401	V5867400	OUTLET. AC	2P AC-182-GB-11V		RTK	ACアウトレット 2P	
△ TE401	VT915000	OUTLET. AC	1P		A	ACアウトレット	06
△ TE401	VU543300	OUTLET. AC	1P		B	ACアウトレット	05
△ TE401	VU543400	OUTLET. AC	2P		GEL	ACアウトレット	05
△ XL451	WA674700	RSNR. CE	16MHz CSTLS16MOX51			セラミック振動子	
△ XL452	V3930900	RSNR. CRY	4.332MHz		BGE	水晶振動子	05
* * *	WE594400	P. C. B.	CONVERSION	557	J	P C B コンバージョン	
* * *	WE594500	P. C. B.	CONVERSION	557, 5850	UCK	P C B コンバージョン	
* * *	WE594600	P. C. B.	CONVERSION	557, 5850	RTABGEL	P C B コンバージョン	
CB701	WE262500	CN	14P SE	557	J	D端子コネクタ	
CB702	WE262500	CN	14P SE	557	J	D端子コネクタ	
CB703	WD398400	CN. DIN	14P YKF45-3011	557	J	D I Nコネクタ	05
CB704	V7827600	SOCKET	9P SE TUC SERIES	557, 5850		コネクタソケット	
CB705	V7827200	SOCKET	5P TE TUC SERIES	557, 5850		コネクタソケット	
CB706	VB858600	CN. BS. PIN	7P	557, 5850		ベースピン	01
C716	UR837470	C. EL	47uF 16V	557, 5850		ケミコン	01
C717	UR837470	C. EL	47uF 16V	557, 5850		ケミコン	01
C718	UR837470	C. EL	47uF 16V	557, 5850		ケミコン	01
C719	UR866100	C. EL	1uF 50V	557, 5850		ケミコン	01
C720	UR838100	C. EL	100uF 16V	557, 5850		ケミコン	01
C725	UR867100	C. EL	10uF 50V	557, 5850		ケミコン	01
C726	UR838100	C. EL	100uF 16V	557, 5850		ケミコン	01
C728	UR866100	C. EL	1uF 50V	557, 5850		ケミコン	01

* New Parts * 新規部品

RX-V557/HTR-5850/DSP-AX557
RX-V457/HTR-5840/DSP-AX457

P.C.B. CONVERSION

Schm Ref.	PART NO.	Description	Remarks	Markets	部 品 名	Rank	
C729	UR837470	C. EL	47uF 16V	557, 5850		ケミコン	01
C734	UR838100	C. EL	100uF 16V	557, 5850		ケミコン	01
C735	UR838100	C. EL	100uF 16V	557, 5850		ケミコン	01
C740	UR865470	C. EL	0. 47uF 50V	557, 5850		ケミコン	01
C747	UR837470	C. EL	47uF 16V	557, 5850	RTABGEL	ケミコン	01
C748	UR837100	C. EL	10uF 16V	557, 5850		ケミコン	01
C749	UR838100	C. EL	100uF 16V	557, 5850		ケミコン	01
C759	UR837470	C. EL	47uF 16V	557, 5850		ケミコン	01
C760	UR837470	C. EL	47uF 16V	557, 5850		ケミコン	01
C761	UR837470	C. EL	47uF 16V	557, 5850		ケミコン	01
C764	UR837100	C. EL	10uF 16V	557, 5850		ケミコン	01
C767	UR837470	C. EL	47uF 16V	557, 5850		ケミコン	01
C768	UR838100	C. EL	100uF 16V	557, 5850		ケミコン	01
C774	UR837470	C. EL	47uF 16V	557, 5850	RTABGEL	ケミコン	01
C777	UR837470	C. EL	47uF 16V	557, 5850		ケミコン	01
C780	UR837470	C. EL	47uF 16V	557, 5850		ケミコン	01
C783	UR865470	C. EL	0. 47uF 50V	557, 5850	RTABGEL	ケミコン	01
C785	UR837470	C. EL	47uF 16V	557, 5850		ケミコン	01
C787	UR865470	C. EL	0. 47uF 50V	557, 5850	RTABGEL	ケミコン	01
C792	UR837100	C. EL	10uF 16V	557, 5850	RTABGEL	ケミコン	01
C794	UR866100	C. EL	1uF 50V	557, 5850	RTABGEL	ケミコン	01
C795	UR866220	C. EL	2. 2uF 50V	557, 5850		ケミコン	01
C796	UR866100	C. EL	1uF 50V	557, 5850	RTABGEL	ケミコン	01
C797	UR865470	C. EL	0. 47uF 50V	557, 5850	RTABGEL	ケミコン	01
C798	UR837470	C. EL	47uF 16V	557, 5850	RTABGEL	ケミコン	01
C801	UR866100	C. EL	1uF 50V	557, 5850	RTABGEL	ケミコン	01
C804	UR865470	C. EL	0. 47uF 50V	557, 5850	RTABGEL	ケミコン	01
C806	UR866220	C. EL	2. 2uF 50V	557, 5850		ケミコン	01
C813	UR838100	C. EL	100uF 16V	557, 5850		ケミコン	01
C815	UR838100	C. EL	100uF 16V	557, 5850		ケミコン	01
C816	UR866100	C. EL	1uF 50V	557, 5850		ケミコン	01
C817	UR837100	C. EL	10uF 16V	557, 5850		ケミコン	01
C818	UR837100	C. EL	10uF 16V	557, 5850		ケミコン	01
C822	UR837100	C. EL	10uF 16V	557, 5850		ケミコン	01
C823	UR837100	C. EL	10uF 16V	557, 5850		ケミコン	01
C824	UR837100	C. EL	10uF 16V	557, 5850		ケミコン	01
C825	UR837100	C. EL	10uF 16V	557, 5850		ケミコン	01
D702	VT332900	D1ODE	1SS355	557, 5850		ダイオード	01
D703	VT332900	D1ODE	1SS355	557, 5850		ダイオード	01
D705	VT332900	D1ODE	1SS355	557, 5850		ダイオード	01
D706	VT332900	D1ODE	1SS355	557, 5850		ダイオード	01
D707	VT332900	D1ODE	1SS355	557	J	ダイオード	01
D708	VT332900	D1ODE	1SS355	557	J	ダイオード	01
D709	VT332900	D1ODE	1SS355	557	J	ダイオード	01
D710	VT332900	D1ODE	1SS355	557	J	ダイオード	01
D711	VT332900	D1ODE	1SS355	557	J	ダイオード	01
D712	VT332900	D1ODE	1SS355	557	J	ダイオード	01
IC701	XS790A00	IC	TC74HC4052AF MPX	557, 5850		ロジック IC	02
IC702	XS790A00	IC	TC74HC4052AF MPX	557, 5850		ロジック IC	02

* New Parts * 新規部品

P.C.B. CONVERSION & P.C.B. VIDEO

Schm Ref.	PART NO.	Description	Remarks	Markets	部 品 名	Rank	
IC703	X2904A00	IC	NJM2581M VIDEO AMP	557, 5850		アンプ I C S O P	06
IC704	XS790A00	IC	TC74HC4052AF MPX	557	J	ロジック I C	02
IC705	X4349A00	IC	TC90A49F	557, 5850		I C デジタル	09
IC706	XZ509A00	IC	TC74VHCU04FT INVER	557, 5850		ロジック I C	01
IC707	XZ509A00	IC	TC74VHCU04FT INVER	557, 5850		ロジック I C	01
IC708	XY879A00	IC	TC74HC4053AF(EL)	557, 5850		ロジック I C S O P	03
IC709	XW939A00	IC	TK15420M VIDEO AMP	557, 5850		アンプ I C S O P	03
* IC710	X4346A00	IC	TA8772AN	557, 5850	RTABGEL	I C アナログ	
IC711	X4347A00	IC	TA1270BF	557, 5850		I C アナログ	10
* IC712	XJ609A00	IC	NJM7809FA 9V	557, 5850		電源 I C S I L	02
* IC713	X6520A00	IC	BA50BC0T	557, 5850		電源 I C	
IC714	XE436A00	IC	NJM79M05FA	557, 5850		I C	03
PJ701	V8143900	JACK PIN	9P SHIELD YKC21	557, 5850		ピンジャック	04
Q702	VV556500	TR	2SA1037K Q, R, S	557, 5850		トランジスタ	01
Q703	VV556400	TR	2SC2412K Q, R, S	557, 5850		トランジスタ	01
Q704	VV556400	TR	2SC2412K Q, R, S	557, 5850		トランジスタ	01
Q705	VV556400	TR	2SC2412K Q, R, S	557, 5850		トランジスタ	01
Q706	VV556400	TR	2SC2412K Q, R, S	557, 5850		トランジスタ	01
Q707	VV556400	TR	2SC2412K Q, R, S	557, 5850		トランジスタ	01
Q708	VV556400	TR	2SC2412K Q, R, S	557, 5850		トランジスタ	01
Q709	VV556400	TR	2SC2412K Q, R, S	557, 5850		トランジスタ	01
Q710	VV556500	TR	2SA1037K Q, R, S	557, 5850		トランジスタ	01
Q711	VV556500	TR	2SA1037K Q, R, S	557, 5850		トランジスタ	01
Q712	VV556500	TR	2SA1037K Q, R, S	557, 5850		トランジスタ	01
Q713	VV556400	TR	2SC2412K Q, R, S	557, 5850	RTABGEL	トランジスタ	01
Q714	VV556400	TR	2SC2412K Q, R, S	557, 5850	RTABGEL	トランジスタ	01
R733	HV753100	R. CAR. FP	1Ω 1/4W	557, 5850		不燃化カーボン抵抗	01
R749	HV753100	R. CAR. FP	1Ω 1/4W	557, 5850	RTABGEL	不燃化カーボン抵抗	01
R750	HV753100	R. CAR. FP	1Ω 1/4W	557, 5850		不燃化カーボン抵抗	01
R805	HV753220	R. CAR. FP	2.2Ω 1/4W	557, 5850		不燃化カーボン抵抗	01
R806	HV753220	R. CAR. FP	2.2Ω 1/4W	557, 5850		不燃化カーボン抵抗	01
R812	HV753100	R. CAR. FP	1Ω 1/4W	557, 5850		不燃化カーボン抵抗	01
R813	WB784200	R. MTL. OXD	1.5Ω 1W	557, 5850		金属被膜抵抗	
R814	WB784200	R. MTL. OXD	1.5Ω 1W	557, 5850		金属被膜抵抗	
R815	WB784200	R. MTL. OXD	1.5Ω 1W	557, 5850		金属被膜抵抗	
R816	VP939700	R. MTL. FLM	4.7Ω 1W	557, 5850		金属被膜抵抗	01
XL701	WB749900	RSNR. CRYST	3.579545MHz	557, 5850		水晶振動子	
XL702	V5345200	RSNR. CE	CSBLA503KECZF30-B0	557, 5850		セラミック振動子	01
* XL703	WB750000	RSNR. CRYST	4.433619MHz	557, 5850	RTABGEL	水晶振動子	
* WE774200	SCR. BND. HD	3x10 MFZN2W3	557, 5850			バインド B タイトネジ	
	WA709000	P. C. B.	VIDEO	457	J	P C B ビデオ	10
CB851	VB858300	CN. BS. PIN	4P	457	J	コネクタベースポスト	01
CB852	V7684100	CN	14P SE YKF SERIES	457	J	D端子コネクタ	
CB853	V7684100	CN	14P SE YKF SERIES	457	J	D端子コネクタ	
CB854	V7684100	CN	14P SE YKF SERIES	457	J	D端子コネクタ	
C865	UR828100	C. EL	100uF 10V	457	J	ケミコン	01

* New Parts * 新規部品

RX-V557/HTR-5850/DSP-AX557
 RX-V457/HTR-5840/DSP-AX457

P.C.B. VIDEO & P.C.B. XM

Schm Ref.	PART NO.	Description	Remarks	Markets	部 品 名	Rank
C866	UR828100	C. EL 100uF 10V	457	J	ケミコン	01
D851	VT332900	DIODE 1SS355	457	J	ダイオード	01
D852	VT332900	DIODE 1SS355	457	J	ダイオード	01
D853	VT332900	DIODE 1SS355	457	J	ダイオード	01
D854	VT332900	DIODE 1SS355	457	J	ダイオード	01
D855	VT332900	DIODE 1SS355	457	J	ダイオード	01
D856	VT332900	DIODE 1SS355	457	J	ダイオード	01
D857	VT332900	DIODE 1SS355	457	J	ダイオード	01
IC851	XY879A00	IC TC74HC4053AF(EL)	457	J	ロジック IC SOP	03
IC852	XY879A00	IC TC74HC4053AF(EL)	457	J	ロジック IC SOP	03
IC853	X2904A00	IC NJM2581M VIDEO AMP	457	J	アンプ IC SOP	06
Q851	VV556400	TR 2SC2412K Q, R, S	457	J	トランジスタ	01
R872	HV753100	R. CAR. FP 1Ω 1/4W	457	J	不燃化カーボン抵抗	01
R873	HV753100	R. CAR. FP 1Ω 1/4W	457	J	不燃化カーボン抵抗	01
* *	WE625300	P. C. B. XM	557	UC	P C B X M	
* *	WE625400	P. C. B. XM	5850, 457, 5840	UC	P C B X M	
	CB21	LB919030 CN. BS. PIN	3P		ベース付ポスト	01
	CB23	VB858400 CN. BS. PIN	5P	557	ベースピン	01
	CB24	VM859500 CN. BS. PIN	11P		F F C コネクタ	01
*	CN1	WE161800 CN	CAM-C16 4P SE		シリアルバスコネクタ	
	C22	UR73A100 C. EL	10000uF 16V		ケミコン	03
	C24	UR73A100 C. EL	10000uF 16V		ケミコン	03
	C26	UR866100 C. EL	1uF 50V		ケミコン	01
	C28	UR837470 C. EL	47uF 16V		ケミコン	01
	C33	VE326000 C. MYLAR. ML	0.1uF 50V		積層マイラーコン	01
	C35	UR837100 C. EL	10uF 16V	557	ケミコン	01
	C36	UR837470 C. EL	47uF 16V	557	ケミコン	01
	C38	UR837470 C. EL	47uF 16V	557	ケミコン	01
	C39	UR837470 C. EL	47uF 16V	557	ケミコン	01
	C40	UR837100 C. EL	10uF 16V	557	ケミコン	01
	C41	UR837100 C. EL	10uF 16V	557	ケミコン	01
	C42	US063330 C. EL	3300pF 50V	557	ケミコン	01
	C43	US063330 C. EL	3300pF 50V	557	ケミコン	01
	C46	UR837470 C. EL	47uF 16V	557	ケミコン	01
	C47	UR837470 C. EL	47uF 16V	557	ケミコン	01
	C50	UR837470 C. EL	47uF 16V		ケミコン	01
*	D1	WE674800 DIODE	AVRL161A1R1NTB		チップバリスタ	
*	D2	WE674800 DIODE	AVRL161A1R1NTB		チップバリスタ	
*	D3	WE674800 DIODE	AVRL161A1R1NTB		チップバリスタ	
△	D21	WA653100 DIODE. BRG	KBP103G 1.0A 200V		ダイオードブリッジ	02
	D26	V2376600 DIODE. SHOT	RB500V-40		ショットキーダイオード	01
	G21	WB438000 TERM. GND	M4 SD00433-21		アース端子	
	G22	WB438000 TERM. GND	M4 SD00433-21		アース端子	
*	IC1	X6227A00 IC. CPU	XMDT TRANSCIEVER		C P U / 周辺 I C	
	IC21	X6051A00 IC	UPC29M33T-E1-AZ		電源 I C	
△	IC22	XJ607A00 IC	NJM7805FA 5V		I C	02

* New Parts * 新規部品

P.C.B. XM

Schm Ref.	PART NO.	Description	Remarks	Markets	部 品 名	Rank	
IC23	X2080A00	IC	SN74AHCT1G32DCKR		UC	ロジックIC	01
IC24	X3693A00	IC	SN74LV245APWR TRAN		UC	ロジックICTSSOP	
* IC25	X6231A00	IC	AK4384ET	557	UC	IC	
IC26	X5482A00	IC	NE5532DR OP AMP	557	UC	アンプIC SOP	
△ IC27	XU814A00	IC	PQ05RD11 +5V 1.0A		UC	電源IC	03
PN1	V9637500	PIN	L=70 #18		UC	スタイルピン	
R38	HV753100	R. CAR. FP	1Ω 1/4W	557	UC	不燃化カーボン抵抗	01
R53	HV753100	R. CAR. FP	1Ω 1/4W	557	UC	不燃化カーボン抵抗	01
R54	HV753100	R. CAR. FP	1Ω 1/4W	557	UC	不燃化カーボン抵抗	01
* XL1	WE436500	RSNR. CRYST	45.1584M DSX840GA		UC	水晶振動子	

* New Parts * 新規部品

RX-V557/HTR-5850/DSP-AX557
 RX-V457/HTR-5840/DSP-AX457

Chip Parts

Schm Ref.	PART NO.	Description	Remarks	Markets	部 品 名	Rank
	US035100	C. CE. M. CHP	0.1uF	16V	チップセラコン	01
	US044220	C. CE. M. CHP	0.022uF	25V	チップセラコン	01
	US060500	C. CE. CHP	5pF	50V	チップセラコン	01
	US060800	C. CE. CHP	8pF	50V	チップセラコン	01
	US061100	C. CE. M. CHP	10pF	50V	チップセラコン	01
	US061120	C. CE. CHP	12pF	50V	チップセラ (C H)	01
	US061150	C. CE. CHP	15pF	50V	チップセラコン	01
	US061180	C. CE. CHP	18pF	50V	チップセラコン	01
	US061220	C. CE. M. CHP	22pF	50V	チップセラコン	01
	US061270	C. CE. M. CHP	27pF	50V	チップセラコン	01
	US061330	C. CE. M. CHP	33pF	50V	チップセラコン	01
	US061470	C. CE. M. CHP	47pF	50V	チップセラコン	01
	US062100	C. CE. M. CHP	100pF	50V	チップセラコン	01
	US062120	C. CE. CHP	120pF	50V	チップセラコン	01
	US062180	C. CE. CHP	180P	50V	チップセラコン	01
	US062220	C. CE. CHP	220pF	50V	チップセラコン	01
	US062330	C. CE. M. CHP	330pF	50V	チップセラコン	01
	US062560	C. CE. CHP	560pF	50V	チップセラ (S L)	01
	US063100	C. CE. M. CHP	1000pF	50V	チップセラコン	01
	US063120	C. CE. M. CHP	1200pF	50V	チップセラコン	01
	US063220	C. CE. M. CHP	2200pF	50V	チップセラコン	01
	US064100	C. CE. M. CHP	0.01uF	50V	チップセラコン	01
	US065100	C. CE. M. CHP	0.1uF	50V	チップセラ F	01
	US126100	C. CE. CHP	1uF	10V	チップセラ F	01
	US135100	C. CE. CHP	0.1uF	16V	チップセラコン	01
	US135220	C. CE. CHP	0.22uF	16V	チップセラ (F)	01
	US135330	C. CE. CHP	0.33uF	16V	チップセラ (F)	01
	US145100	C. CE. CHP	0.1uF	25V	チップセラ (F)	01
	RD350000	R. CHP	0Ω	1/16W	チップ抵抗	01
	RD353220	R. CHP	2.2Ω	1/16W	チップ抵抗	01
	RD354100	R. CHP	10Ω	1/16W	チップ抵抗	01
	RD354220	R. CHP	22Ω	1/16W	チップ抵抗	01
	RD354270	R. CHP	27Ω	1/16W	チップ抵抗	01
	RD354470	R. CHP	47Ω	1/16W	チップ抵抗	01
	RD354750	R. CHP	75Ω	1/16W	チップ抵抗	01
	RD354820	R. CHP	82Ω	1/16W	チップ抵抗	01
	RD355100	R. CHP	100Ω	1/16W	チップ抵抗	01
	RD355220	R. CHP	220Ω	1/16W	チップ抵抗	01
	RD355270	R. CHP	270Ω	1/16W	チップ抵抗	01
	RD355330	R. CHP	330Ω	1/16W	チップ抵抗	01
	RD355360	R. CHP	360Ω	1/16W	チップ抵抗	01
	RD355470	R. CHP	470Ω	1/16W	チップ抵抗	01
	RD355510	R. CHP	510Ω	1/16W	チップ抵抗	01
	RD355680	R. CHP	680Ω	1/16W	チップ抵抗	01
	RD355820	R. CHP	820Ω	1/16W	チップ抵抗	01
	RD356100	R. CHP	1KΩ	1/16W	チップ抵抗	01
	RD356120	R. CHP	1.2KΩ	1/16W	チップ抵抗	01
	RD356150	R. CHP	1.5KΩ	1/16W	チップ抵抗	01
	RD356220	R. CHP	2.2KΩ	1/16W	チップ抵抗	01
	RD356270	R. CHP	2.7KΩ	1/16W	チップ抵抗	01
	RD356300	R. CHP	3KΩ	1/16W	チップ抵抗	01
	RD356330	R. CHP	3.3KΩ	1/16W	チップ抵抗	01
	RD356390	R. CHP	3.9KΩ	1/16W	チップ抵抗	01

* New Parts * 新規部品

Chip Parts

Schm Ref.	PART NO.	Description	Remarks	Markets	部 品 名	Rank
	RD356470	R. CHP	4.7KΩ	1/16W	チップ抵抗	01
	RD356560	R. CHP	5.6KΩ	1/16W	チップ抵抗	01
	RD356680	R. CHP	6.8KΩ	1/16W	チップ抵抗	01
	RD357100	R. CHP	10KΩ	1/16W	チップ抵抗	01
	RD357110	R. CHP	11KΩ	1/16W	チップ抵抗	01
	RD357130	R. CHP	13KΩ	1/16W	チップ抵抗	01
	RD357150	R. CHP	15KΩ	1/16W	チップ抵抗	01
	RD357180	R. CHP	18KΩ	1/16W	チップ抵抗	01
	RD357220	R. CHP	22KΩ	1/16W	チップ抵抗	01
	RD357270	R. CHP	27KΩ	1/16W	チップ抵抗	01
	RD357300	R. CHP	30KΩ	1/16W	チップ抵抗	01
	RD357330	R. CHP	33KΩ	1/16W	チップ抵抗	01
	RD357470	R. CHP	47KΩ	1/16W	チップ抵抗	01
	RD357680	R. CHP	68KΩ	1/16W	チップ抵抗	01
	RD358100	R. CHP	100KΩ	1/16W	チップ抵抗	01
	RD358150	R. CHP	150KΩ	1/16W	チップ抵抗	01
	RD358220	R. CHP	220KΩ	1/16W	チップ抵抗	01
	RD358270	R. CHP	270KΩ	1/16W	チップ抵抗	01
	RD358470	R. CHP	470KΩ	1/16W	チップ抵抗	01
	RD358680	R. CHP	680KΩ	1/16W	チップ抵抗	01
	RD359100	R. CHP	1MΩ	1/16W	チップ抵抗	01
	RF354820	R. CAR. CHP	82Ω	1/16W	チップ抵抗	01
	RF355820	R. CHP	820Ω	1/16W	チップ抵抗	01
	RF356220	R. CHP	2.2KΩ	1/16W	チップ抵抗	01
	RF356330	R. CHP	3.3KΩ	1/16W	チップ抵抗	01
	RF356470	R. CHP	4.7KΩ	1/16W	チップ抵抗	01
	RF356560	R. CHP	5.6KΩ	1/16W	チップ抵抗	01
	RF356680	R. CHP	6.8KΩ	1/16W	チップ抵抗	01
	RF357200	R. CHP	20KΩ	1/16W	チップ抵抗	01
	RF357470	R. CHP	47KΩ	1/16W	チップ抵抗	01

* New Parts * 新規部品

MECHANICAL PARTS RX-V557/DSP-AX557

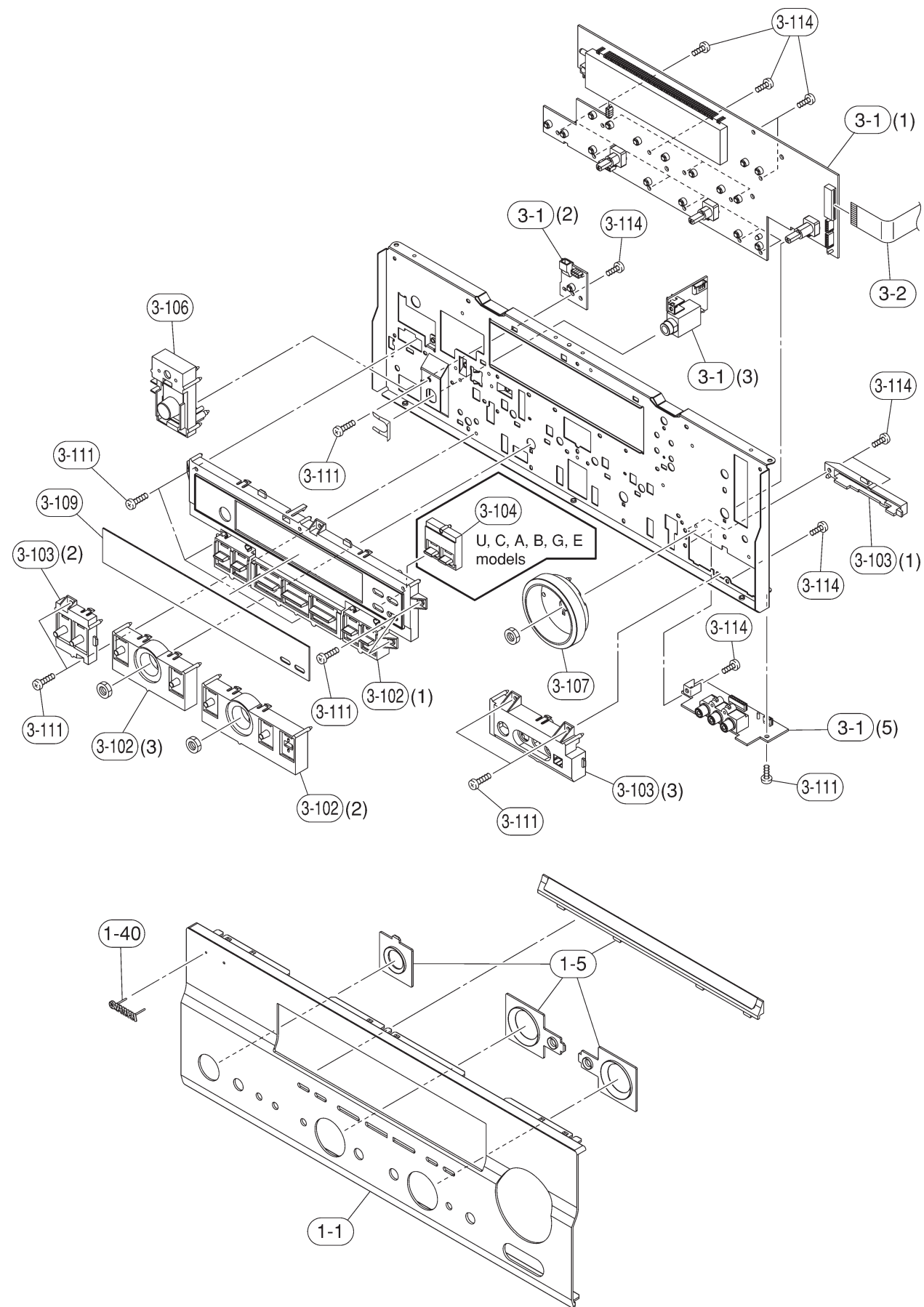
Schm Ref.	PART NO.	Description	Remarks	Markets	部 品 名	Rank
* 5	WE592900	P.C.B. ASS'Y		JRTKABGEL	P C B D S P	
* 5	WE593000	P.C.B. ASS'Y		UC	P C B D S P	
* 6	WE593600	P.C.B. ASS'Y		JRTKL	P C B ファンクション	
* 6	WE593700	P.C.B. ASS'Y		UC	P C B ファンクション	
* 6	WE593800	P.C.B. ASS'Y		ABGE	P C B ファンクション	
* 7	WE589100	P.C.B. ASS'Y		J	P C B サブトランス	
* 7	WE589200	P.C.B. ASS'Y		UC	P C B サブトランス	
* 7	WE589400	P.C.B. ASS'Y		R	P C B サブトランス	
* 7	WE589500	P.C.B. ASS'Y		T	P C B サブトランス	
* 7	WE589600	P.C.B. ASS'Y		K	P C B サブトランス	
* 7	WE589700	P.C.B. ASS'Y		A	P C B サブトランス	
* 7	WE589800	P.C.B. ASS'Y		B	P C B サブトランス	
* 7	WE589900	P.C.B. ASS'Y		GE	P C B サブトランス	
* 7	WE590000	P.C.B. ASS'Y		L	P C B サブトランス	
* 8	WE594400	P.C.B. ASS'Y		J	P C B コンバージョン	
* 8	WE594500	P.C.B. ASS'Y		UCK	P C B コンバージョン	
* 8	WE594600	P.C.B. ASS'Y		RTABGEL	P C B コンバージョン	
* 9	WE625300	P.C.B. ASS'Y		UC	P C B X M	
12	V6782200	AM/FM TUNER		J	AM/FM チューナ	13
* 12	V6782300	AM/FM TUNER		UCRTL	AM/FM チューナ	
* 12	V6782400	AM/FM TUNER		KABGE	AM/FM チューナ	
△ 15	X5250B00	POWER TRANSFORMER		J	電源トランス	
* △ 15	X6337A00	POWER TRANSFORMER		UC	電源トランス	
* △ 15	X6339A00	POWER TRANSFORMER		RL	電源トランス	
* △ 15	X6340A00	POWER TRANSFORMER		TK	電源トランス	
* △ 15	X6341A00	POWER TRANSFORMER		A	電源トランス	
* △ 15	X5251B00	POWER TRANSFORMER		BGE	電源トランス	
△ 16	V4007600	POWER CABLE	1.8m	J	電源コード	05
* △ 16	V9293500	POWER CABLE	2m	UC	電源コード	
* △ 16	WC992700	POWER CABLE	2m	R	電源コード	
△ 16	VZ542500	POWER CABLE	2m	T	電源コード	05
* △ 16	WC753000	POWER CABLE	2m	K	電源コード	
* △ 16	WC743700	POWER CABLE	2m	A	電源コード	
△ 16	VV437300	POWER CABLE	2m	B	電源コード	08
* △ 16	V9293600	POWER CABLE	2m	GEL	電源コード	
17	V2438700	CORD STOPPER	10P1		コードストッパー	02
25	MF118070	FLEXIBLE FLAT CABLE	18P 70mm P=1.25		カード電線 C & C	02
26	MF115140	FLEXIBLE FLAT CABLE	15P 140mm P=1.25		カード電線 C & C	03
27	MF113070	FLEXIBLE FLAT CABLE	13P 70mm P=1.25		カード電線 C & C	01
28	MF111300	FLEXIBLE FLAT CABLE	11P 300mm P=1.25	UC	カード電線 C & C	02
* 101	WE184600	TOP COVER		GD	トップカバー	
* 101	WE184500	TOP COVER		BL	トップカバー	
* 101	WE184700	TOP COVER		TI	トップカバー	
* 103	WE230900	REAR PANEL		J	リヤパネル	
* 103	WE172200	REAR PANEL		UC	リヤパネル	
* 103	WE172400	REAR PANEL		R	リヤパネル	
* 103	WE172500	REAR PANEL		T	リヤパネル	
* 103	WE172600	REAR PANEL		K	リヤパネル	
* 103	WE172700	REAR PANEL		A	リヤパネル	
* 103	WE172900	REAR PANEL		B	リヤパネル	
* 103	WE173000	REAR PANEL		GE	リヤパネル	
* 103	WE172800	REAR PANEL		L	リヤパネル	
* 105	WE183100	PLATE SIDE		GD	プレートサイド	
* 105	WE183000	PLATE SIDE		BL	プレートサイド	

* New Parts * 新規部品

Schm Ref.	PART NO.	Description	Remarks	Markets	部 品 名	Rank
* 105	WE183200	PLATE SIDE		TI	プレートサイド	
120	V0042500	LEG	D60xH21	GD	レッグ	03
120	VS025000	LEG	D60xH21	BL, TI	レッグ	02
121	WC494500	KNOB D48	VOLUME	GD	ノブ D 4 8	02
* 121	WC494400	KNOB D48	VOLUME	BL	ノブ D 4 8	
* 121	WC494600	KNOB D48	VOLUME	TI	ノブ D 4 8	
122	WC494900	KNOB D20	INPUT	GD	ノブ D 2 1 . 5	01
* 122	WC494800	KNOB D20	INPUT	BL	ノブ D 2 1 . 5	
* 122	WC495000	KNOB D20	INPUT	TI	ノブ D 2 1 . 5	
138	V3198100	DAMPER	GUARD		ダンパー	01
139	WC879000	DAMPER			ダンパー	
* 150	V8466300	COVER/AC OUTLETS		K	カバー/ACアウトレット	
155	V0368600	PUSH RIVET	P3555-B		プッシュリベット	01
* 160	WE774100	BIND HEAD BONDING B-T. SCREW	3x8 MFZN2B3		ボンディングBタイトネジ	
* 163	WE774300	BIND HEAD B-TIGHT SCREW	3x8 MFZN2W3		バインドBタイトネジ	
167	VT669300	PW HEAD B-TIGHT SCREW	3x8-8 MFC2		PWヘッドBタイトネジ	01
* 168	WE774600	SCREW IC	3x18 MFZN2W3		スクリューIC	
* 170	WE774700	BIND HEAD S-TIGHT SCREW	4x10 MFZN2W3		バインドSタイトネジ	
171	VD069600	PW HEAD S-TIGHT SCREW	4x8-10 MFN133	GD, TI	PWヘッドSタイトネジ	01
171	VH313200	BW HEAD S-TIGTE SCREW	4x8-10 MFN13BL	BL	BWヘッドSタイトネジ	01
* 172	WE200400	DISH HEAD B-TIGHT SCREW	3x6 MFN133	GD, TI	D I S H Bタイトネジ	
* 172	WE200500	DISH HEAD B-TIGHT SCREW	3x6 MFN13BL	BL	D I S H Bタイトネジ	01
		ACCESSORIES			付属品	
* 200	WE458700	REMOTE CONTROL	RAV254	BW091J	リモコン	
* 200	WE458800	REMOTE CONTROL	RAV255	BW091K	リモコン	
200-1	AAX34140	BATTERY COVER	71-0910-02000	71-0910-02000	電池蓋	05
202	V6267000	INDOOR FM ANTENNA	1.4m 1pc		F M簡易アンテナ	03
202	VQ147100	INDOOR FM ANTENNA	1.4m 1pc		F M簡易アンテナ	02
203	VR248500	AM LOOP ANTENNA	1.0m 1pc		A Mループアンテナ	03
204	VE364900	ANTENNA ADAPTER	PAL 75-300Ω	B	整合器	03
		BATTERY, MANGANESE DRY	UM-4NE (4pcs)		マンガン電池 4 P C S	

* New Parts * 新規部品

EXPLODED VIEW (FRONT PANEL UNIT & SUB CHASSIS UNIT) RX-V557/DSP-AX557

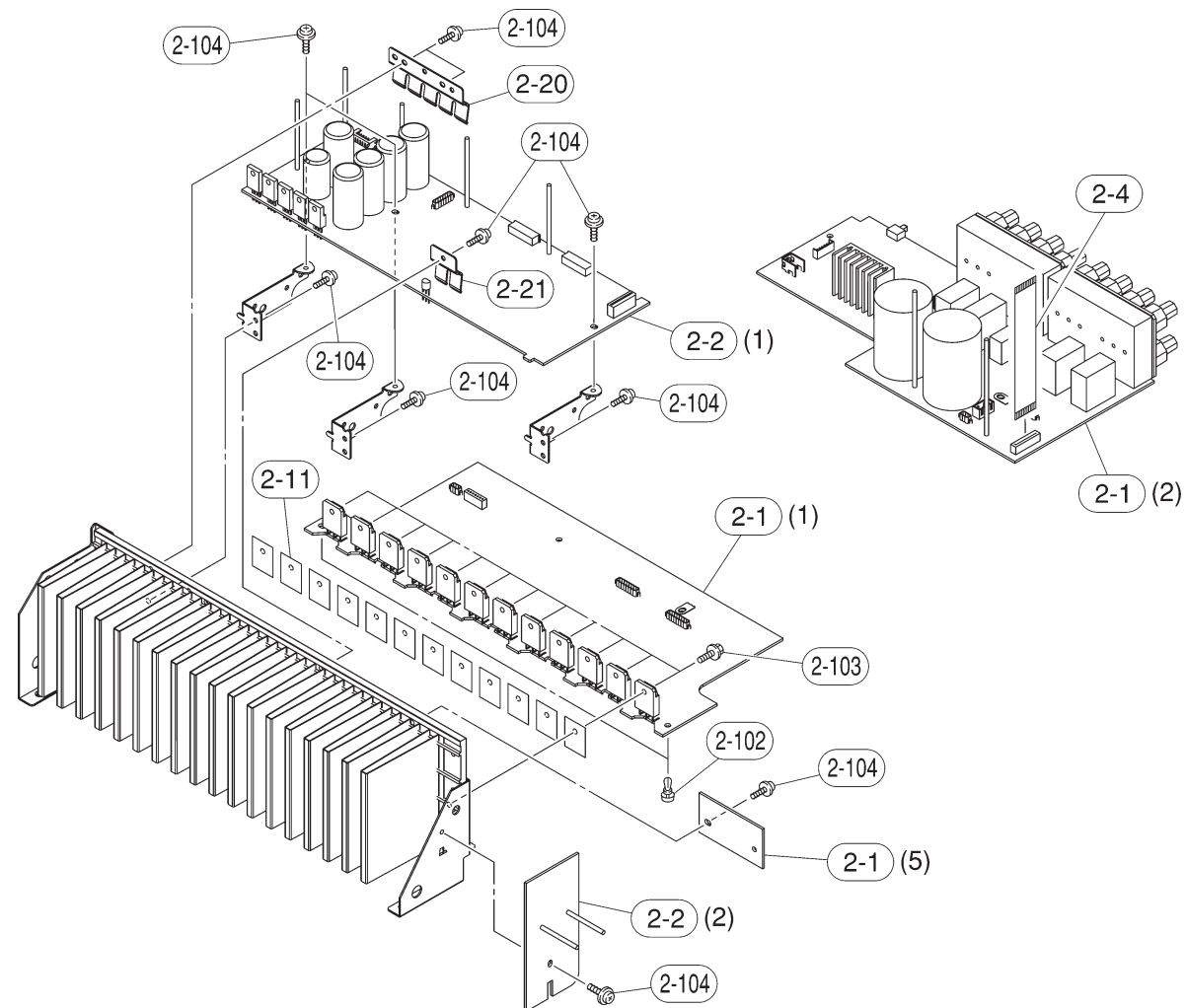


MECHANICAL PARTS (FRONT PANEL UNIT & SUB CHASSIS UNIT) RX-V557/DSP-AX557

Schm Ref.	PART NO.	Description	Remarks	Markets	部品名	Rank
* 1-1	WE256000	FRONT PANEL		GD	J	フロントパネル
* 1-1	WE178100	FRONT PANEL		GD	RTK	フロントパネル
* 1-1	WE177200	FRONT PANEL		BL	UC	フロントパネル
* 1-1	WE177300	FRONT PANEL		BL	RABGE	フロントパネル
* 1-1	WE255900	FRONT PANEL		TI		フロントパネル
* 1-5	WF155900	ESCUTCHEON/657		GD		エスカッション657
* 1-5	WF155800	ESCUTCHEON/657		BL		エスカッション657
* 1-5	WF156000	ESCUTCHEON/657		TI		エスカッション657
1-40	V6034200	EMBLEM		GD		エンブレム
1-40	V6034100	EMBLEM		BL, TI		エンブレム
* 3-1	WE594000	P.C.B. ASS'Y	OPERATION			P.C.B. オペレーション
3-2	MF121350	FLEXIBLE FLAT CABLE	21P 350mm P=1.25			カード電線 C&C
* 3-102	WC490900	BUTTONCASE 650		GD		ボタンケース650
* 3-102	WC490800	BUTTONCASE 650		BL		ボタンケース650
* 3-102	WC491000	BUTTONCASE 650		TI		ボタンケース650
* 3-103	WE185700	BUTTON 650		GD		ボタン 650
* 3-103	WE185600	BUTTON 650		BL		ボタン 650
* 3-103	WE185800	BUTTON 650		TI		ボタン 650
* 3-104	WE182400	BUTTON/ZONE2			UCABGE	ボタン/ZONE2
* 3-106	WF156200	BUTTON/STANDBY		GD		ボタンSTANDBY
* 3-106	WF156100	BUTTON/STANDBY		BL		ボタンSTANDBY
* 3-106	WF156300	BUTTON/STANDBY		TI		ボタンSTANDBY
* 3-107	WC493200	ESCUTCHEON/VOL		GD		エスカッションVOL
* 3-107	WC493100	ESCUTCHEON/VOL		BL		エスカッションVOL
* 3-107	WC493300	ESCUTCHEON/VOL		TI		エスカッションVOL
* 3-109	WC495200	SHEET, WINDOW			JRTKL	シート/ウィンドウ
* 3-109	WE183700	SHEET, WINDOW	ZONE2		UCABGE	シート/ウィンドウ
* 3-111	WE774300	BIND HEAD B-TIGHT SCREW	3x8 MFZN2W3			バインドBタイトネジ
* 3-114	WE774800	BIND HEAD P-TIGHT SCREW	3x8 MFZN2W3			バインドPタイトネジ

* New Parts * 新規部品

1 ■ EXPLODED VIEW (AMP UNIT) RX-V557/DSP-AX557



2

3

4

5

6

7

■ MECHANICAL PARTS (AMP UNIT) RX-V557/DSP-AX557

Schm Ref.	PART NO.	Description	Remarks	Markets	部品名	Rank
* 2-1	WE588000	P.C.B. ASS'Y	MAIN	JUCRTA	P C B メイン	
* 2-1	WE588100	P.C.B. ASS'Y	MAIN	KBGEL	P C B メイン	
* 2-2	WE588700	P.C.B. ASS'Y	POWER		P C B パワー	
2-4	MF117140	FLEXIBLE FLAT CABLE	17P 140mm P=1.25		カード電線 C & C	01
2-11	VV849300	RADIATION SHEET	19x24	JUCRTAK	シート/放熱	01
2-20	WC656000	SUPPORT/TR 5P			サポート/TR 5 P	
2-21	V2673000	SUPPORT/TR 2P			サポート/TR 2 P	01
2-102	VQ368600	PUSH RIVET	P3555-B		プッシュリベット	01
2-103	VK173200	SCREW, TRANSISTOR	3x15 SP MFC2		スクリュー-T R	01
2-104	VT669300					

* New Parts * 新規部品

MECHANICAL PARTS HTR-5850 RX-V457/HTR-5840/DSP-AX457

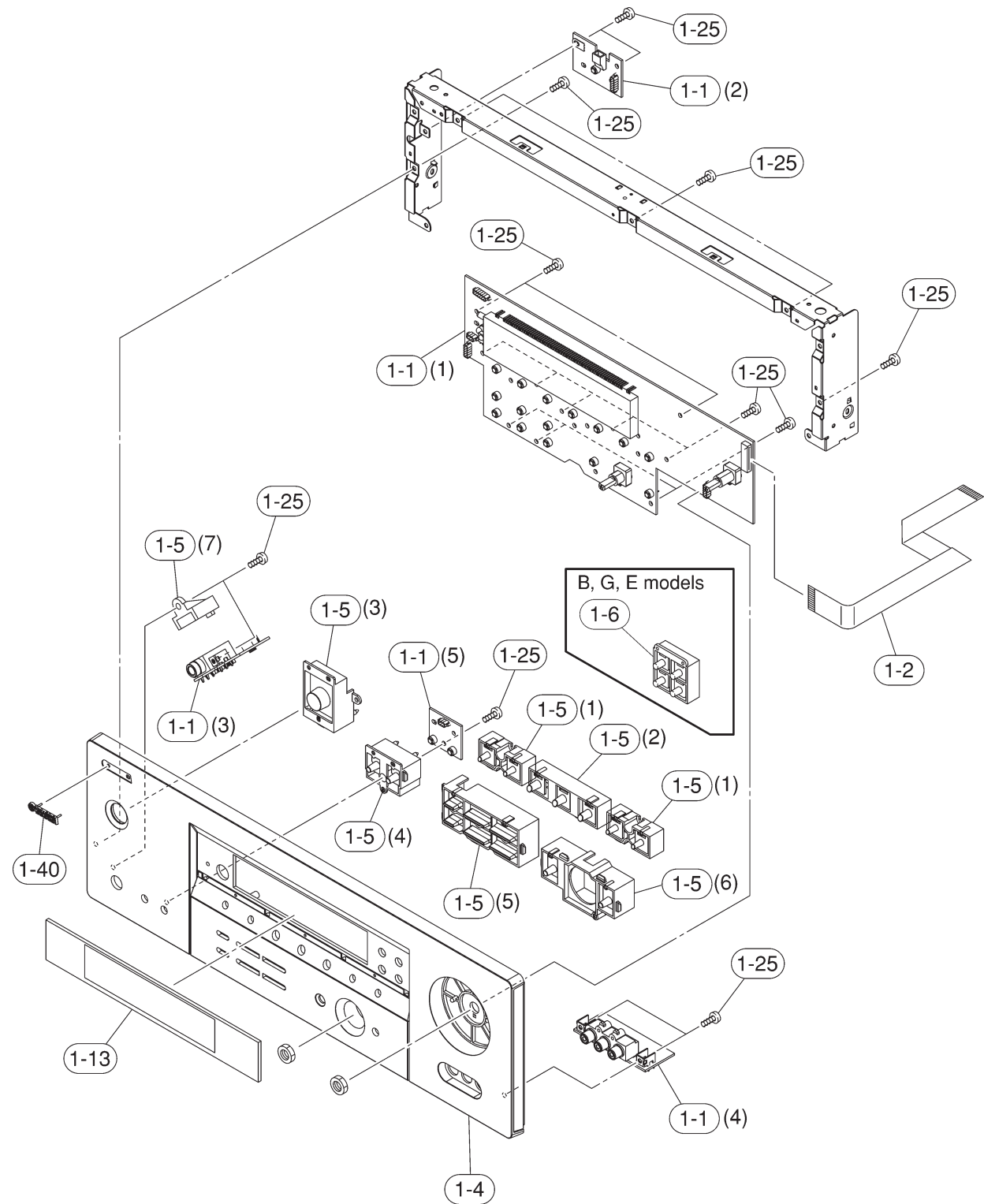
Schm Ref.	PART NO.	Description	Remarks	Markets	部 品 名	Rank	
* 5	WE593000	P.C.B. ASS'Y	DSP	5850	UC	P C B D S P	
* 5	WE592900	P.C.B. ASS'Y	DSP	5850	TKA	P C B D S P	
* 5	WE593100	P.C.B. ASS'Y	DSP	AX457	J	P C B D S P	
* 5	WE593200	P.C.B. ASS'Y	DSP	V457,5840	UC	P C B D S P	
* 5	WE593300	P.C.B. ASS'Y	DSP	V457,5840	RTKABGEL	P C B D S P	
* 6	WE593600	P.C.B. ASS'Y	FUNCTION			P C B ファンクション	
* 7	WE590100	P.C.B. ASS'Y	SUBTRANS	5850	UC	P C B サブトランス	
* 7	WE589500	P.C.B. ASS'Y	SUBTRANS	5850	T	P C B サブトランス	
* 7	WE589600	P.C.B. ASS'Y	SUBTRANS	5850	K	P C B サブトランス	
* 7	WE590300	P.C.B. ASS'Y	SUBTRANS	5850	A	P C B サブトランス	
* 7	WE590400	P.C.B. ASS'Y	SUBTRANS	AX457	J	P C B サブトランス	
* 7	WE590500	P.C.B. ASS'Y	SUBTRANS	V457,5840	UC	P C B サブトランス	
* 7	WE590700	P.C.B. ASS'Y	SUBTRANS	V457	R	P C B サブトランス	
* 7	WE590800	P.C.B. ASS'Y	SUBTRANS	V457,5840	T	P C B サブトランス	
* 7	WE590900	P.C.B. ASS'Y	SUBTRANS	V457,5840	K	P C B サブトランス	
* 7	WE591000	P.C.B. ASS'Y	SUBTRANS	V457,5840	A	P C B サブトランス	
* 7	WE591100	P.C.B. ASS'Y	SUBTRANS	V457,5840	B	P C B サブトランス	
* 7	WE591200	P.C.B. ASS'Y	SUBTRANS	V457,5840	GE	P C B サブトランス	
* 7	WE591300	P.C.B. ASS'Y	SUBTRANS	V457	L	P C B サブトランス	
* 8	WE594500	P.C.B. ASS'Y	CONVERSION	5850	UCK	P C B コンバージョン	
* 8	WE594600	P.C.B. ASS'Y	CONVERSION	5850	TA	P C B コンバージョン	
8	WA709000	P.C.B. ASS'Y	VIDEO		J	P C B ビデオ	
* 9	WE625400	P.C.B. ASS'Y	XM		UC	P C B XM	
12	V6782200	AM/FM TUNER	TFCE1J117A		J	AM/FM チューナ	
12	V6782300	AM/FM TUNER	TFCE1U115A		UCRTL	AM/FM チューナ	
12	V6782400	AM/FM TUNER	TFCE1E317A		KABGE	AM/FM チューナ	
△ 15	X5250B00	POWER TRANSFORMER			J	電源トランス	
△ 15	X6337A00	POWER TRANSFORMER			UC	電源トランス	
△ 15	X6339A00	POWER TRANSFORMER			RL	電源トランス	
△ 15	X6340A00	POWER TRANSFORMER			TK	電源トランス	
△ 15	X6341A00	POWER TRANSFORMER			A	電源トランス	
△ 15	X5251B00	POWER TRANSFORMER			BGE	電源トランス	
△ 16	V4007600	POWER CABLE	1.8m		J	電源コード	
△ 16	V9293500	POWER CABLE	2m		UC	電源コード	
△ 16	WC992700	POWER CABLE	2m		R	電源コード	
△ 16	VZ542500	POWER CABLE	2m		T	電源コード	
△ 16	WC753000	POWER CABLE	2m		K	電源コード	
△ 16	WC743700	POWER CABLE	2m		A	電源コード	
△ 16	VV437300	POWER CABLE	2m		B	電源コード	
△ 16	V9293600	POWER CABLE	2m		GE	電源コード	
△ 16	VN363700	POWER CABLE	2m		L	電源コード	
17	V2438700	CORD STOPPER	10P1			コードストッパー	
25	MF118070	FLEXIBLE FLAT CABLE	18P 70mm P=1.25			カード電線 C & C	
26	MF115140	FLEXIBLE FLAT CABLE	15P 140mm P=1.25	5850		カード電線 C & C	
26	MF115070	FLEXIBLE FLAT CABLE	15P 70mm P=1.25	V457,5840,AX457		カード電線 C & C	
27	MF113070	FLEXIBLE FLAT CABLE	13P 70mm P=1.25			カード電線 C & C	
28	MF111300	FLEXIBLE FLAT CABLE	11P 300mm P=1.25		UC	カード電線 C & C	
* 101	WE184900	TOP COVER		GD		トップカバー	
* 101	WE184800	TOP COVER		BL		トップカバー	
* 101	WE185000	TOP COVER		TI,SI		トップカバー	
* 103	WE174800	REAR PANEL		5850	UC	リヤパネル	
* 103	WE175000	REAR PANEL		5850	T	リヤパネル	
* 103	WE175100	REAR PANEL		5850	K	リヤパネル	
* 103	WE175200	REAR PANEL		5850	A	リヤパネル	

* New Parts * 新規部品

Schm Ref.	PART NO.	Description	Remarks	Markets	部 品 名	Rank	
* 103	WE174700	REAR PANEL	AX457	J	リヤパネル		
* 103	WE173800	REAR PANEL	V457	UC	リヤパネル		
* 103	WE174000	REAR PANEL	V457	R	リヤパネル		
* 103	WE174100	REAR PANEL	V457	T	リヤパネル		
* 103	WE174200	REAR PANEL	V457	K	リヤパネル		
* 103	WE174300	REAR PANEL	V457	A	リヤパネル		
* 103	WE174500	REAR PANEL	V457	B	リヤパネル		
* 103	WE174600	REAR PANEL	V457	GE	リヤパネル		
* 103	WE174400	REAR PANEL	V457	L	リヤパネル		
* 103	WE175500	REAR PANEL	5840	UC	リヤパネル		
* 103	WE175700	REAR PANEL	5840	T	リヤパネル		
* 103	WE175800	REAR PANEL	5840	K	リヤパネル		
* 103	WE175900	REAR PANEL	5840	A	リヤパネル		
* 103	WE176000	REAR PANEL	5840	B	リヤパネル		
* 103	WE176100	REAR PANEL	5840	GE	リヤパネル		
120	V0042500	LEG	D60xH21	GD	レッグ		
120	VV544300	LEG	D60xH21	5850BL,5840BL	レッグ (BK)		
120	VS025000	LEG	D60xH21	V457BL,TI,SI	レッグ		
* 121	WE183400	KNOB/D48	VOLUME	GD	ノブ/D48		
* 121	WE183300	KNOB/D48	VOLUME	BL	ノブ/D48		
* 121	WE183600	KNOB/D48	VOLUME	TI	ノブ/D48		
* 121	WE183600	KNOB/D48	VOLUME	SI	ノブ/D48		
122	WC560600	KNOB D23	INPUT	GD	ノブ D23		
122	WC560500	KNOB D23	INPUT	BL	ノブ D23		
122	WC560700	KNOB D23	INPUT	TI	ノブ D23		
122	WC560800	KNOB D23	INPUT	SI	ノブ D23		
138	V3198100	DAMPER	GUARD		ダンパー		
139	WC879000	DAMPER			ダンパー		
150	V8466300	COVER/AC OUTLETS		K	カバー/ACアウトレット		
* 151	WE952600	BARRIER/PCB			バリア/PCB		
155	VQ368600	PUSH RIVET	P3555-B		プッシュリベット		
* 160	WE774100	BIND HEAD BONDING B-T. SCREW	3x8 MFZN2B3		ボンディングBタイトネジ		
* 163	WE774300	BIND HEAD B-TIGHT SCREW	3x8 MFZN2W3		バインドBタイトネジ		
167	VT669300	PW HEAD B-TIGHT SCREW	3x8-8 MFC2		PWヘッドBタイトネジ		
* 168	WE774600	SCREW IC	3x18 MFZN2W3		スクリューIC		
* 170	WE774700	BIND HEAD S-TIGHT SCREW	4x10 MFZN2W3		バインドSタイトネジ		
171	VD069600	PW HEAD S-TIGHT SCREW	4x8-10 MFN133	GD,TI,SI	PWヘッドSタイトネジ		
171	VH313200	BW HEAD S-TIGTE SCREW	4x8-10 MFN13BL	BL	BWヘッドSタイトネジ		
* 172	WE200400	DISH HEAD B-TIGHT SCREW	3x6 MFN133	GD,TI,SI	DISH Bタイトネジ		
* 172	WE200500	DISH HEAD B-TIGHT SCREW	3x6 MFN13BL	BL	DISH Bタイトネジ		
		ACCESSORIES			付属品		
* 200	WE458700	REMOTE CONTROL	RAV254(BW091J)	5850,457,5840	JUCRTKAL	リモコン	
200-1	AAX34140	BATTERY COVER	71-0910-02000	5850,457,5840	JUCRTKAL	電池蓋	
* 201	WE458900	REMOTE CONTROL	RAV304	457,5840	BGE	リモコン	
201-1	AAX46580	BATTERY COVER	103RRC-244-01G	457,5840	BGE	電池蓋	
202	V6267000	INDOOR FM ANTENNA	1.4m 1pc		JUCRTL	FM簡易アンテナ	
202	VQ147100	INDOOR FM ANTENNA	1.4m 1pc		KABGE	FM簡易アンテナ	
203	VR248500	AM LOOP ANTENNA	1.0m 1pc			AMループアンテナ	
204	VE364900	ANTENNA ADAPTER	PAL 75-300Ω		B	整合器	
		BATTERY, MANGANESE DRY	UM-4NE, 4pcs			マンガン電池 4PCS	
		BATTERY	SUM-3N, 2pcs			乾電池 2PCS	

* New Parts * 新規部品

EXPLODED VIEW (FRONT PANEL UNIT) HTR-5850 RX-V457/HTR-5840/DSP-AX457

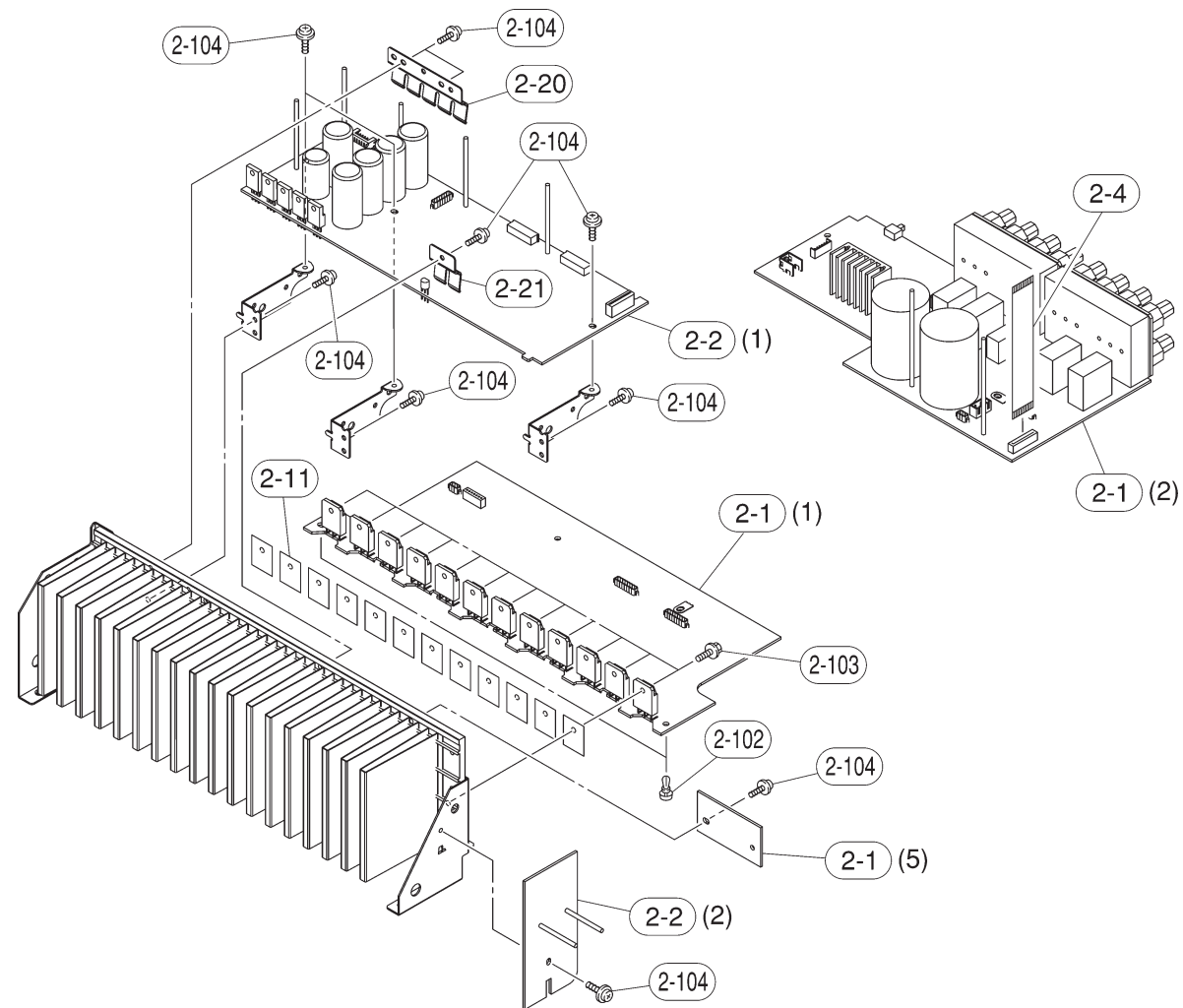


MECHANICAL PARTS (FRONT PANEL UNIT) HTR-5850 RX-V457/HTR-5840/DSP-AX457

Schm Ref.	PART NO.	Description	Remarks	Markets	部品名	Rank
* 1-1	WE594100	P.C.B. ASS'Y	OPERATION		P C B オペレーション	
1-2	MF121350	FLEXIBLE FLAT CABLE	21P 350mm P=1.25		カード電線 C&C	
* 1-4	WE287700	FRONT PANEL ASS'Y		5850GD	フロントパネルASSY	
* 1-4	WE180700	FRONT PANEL ASS'Y		5850BL UC	フロントパネルASSY	
* 1-4	WE287800	FRONT PANEL ASS'Y		5850SI UC	フロントパネルASSY	
* 1-4	WE287900	FRONT PANEL ASS'Y		5850SI KA	フロントパネルASSY	
* 1-4	WE187400	FRONT PANEL ASS'Y		AX457GD J	フロントパネルASSY	
* 1-4	WE187100	FRONT PANEL ASS'Y		V457GD RTKL	フロントパネルASSY	
* 1-4	WE186400	FRONT PANEL ASS'Y		V457BL UC	フロントパネルASSY	
* 1-4	WE186500	FRONT PANEL ASS'Y		V457BL RABGE	フロントパネルASSY	
* 1-4	WE283700	FRONT PANEL ASS'Y		V457TI C	フロントパネルASSY	
* 1-4	WE283800	FRONT PANEL ASS'Y		V457TI ABGE	フロントパネルASSY	
* 1-4	WE188000	FRONT PANEL ASS'Y		AX457SI J	フロントパネルASSY	
* 1-4	WE187600	FRONT PANEL ASS'Y		V457SI RKL	フロントパネルASSY	
* 1-4	WE191100	FRONT PANEL ASS'Y		5840GD	フロントパネルASSY	
* 1-4	WE190500	FRONT PANEL ASS'Y		5840BL UC	フロントパネルASSY	
* 1-4	WE190600	FRONT PANEL ASS'Y		5840BL GE	フロントパネルASSY	
* 1-4	WE191500	FRONT PANEL ASS'Y		5840SI UC	フロントパネルASSY	
* 1-4	WE191600	FRONT PANEL ASS'Y		5840SI KA	フロントパネルASSY	
* 1-4	WE191700	FRONT PANEL ASS'Y		5840SI BGE	フロントパネルASSY	
1-5	WC492000	BUTTONCASE 450		GD	ボタンケース450	
1-5	WC492200	BUTTONCASE 450		5850BL, 5840BL	ボタンケース450	
1-5	WC491900	BUTTONCASE 450		V457BL	ボタンケース450	
1-5	WC492100	BUTTONCASE 450		T1	ボタンケース450	
1-5	WC492300	BUTTONCASE 450		SI	ボタンケース450	
1-6	WC492700	BUTTON/RDS 450		BGE	ボタン/RDS450	
1-13	WC495600	SHEET, WINDOW		GD, T1	シート/ウインドウ	
* 1-13	WE815500	SHEET, WINDOW		BL	シート/ウインドウ	
* 1-13	WE815400	SHEET, WINDOW		SI	シート/ウインドウ	
* 1-25	WE774800	BIND HEAD P-TIGHT SCREW	3x8 MFZN2W3		バインドPタイトネジ	
1-40	V6034200	EMBLEM		GD	エンブレム	
1-40	V6034100	EMBLEM		BL, T1, SI	エンブレム	

* New Parts * 新規部品

EXPLODED VIEW (AMP UNIT) HTR-5850 RX-V457/HTR-5840/DSP-AX457



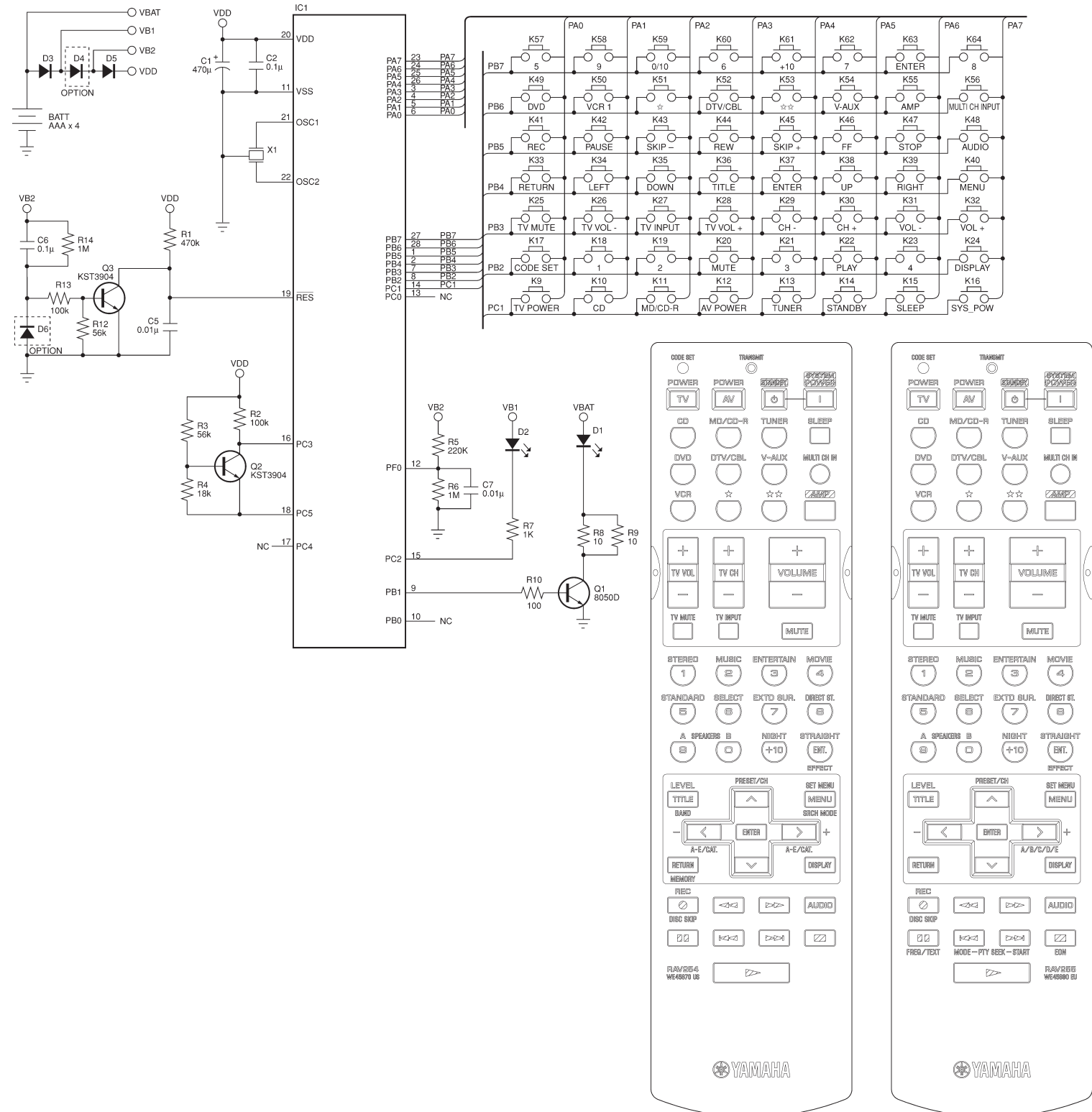
MECHANICAL PARTS (AMP UNIT) HTR-5850 RX-V457/HTR-5840/DSP-AX457

Schm Ref.	PART NO.	Description	Remarks	Markets	部品名	Rank
* 2-1	WE588000	P.C.B. ASS'Y	MAIN 5850	UCTA	P C B メイン	
* 2-1	WE588100	P.C.B. ASS'Y	MAIN 5850	K	P C B メイン	
* 2-1	WE588200	P.C.B. ASS'Y	MAIN V457, 5840, AX457	JUCRTA	P C B メイン	
* 2-1	WE588300	P.C.B. ASS'Y	MAIN V457, 5840	KBGEL	P C B メイン	
* 2-2	WE588700	P.C.B. ASS'Y	POWER 5850		P C B パワー	
* 2-2	WE588800	P.C.B. ASS'Y	POWER V457, 5840		P C B パワー	
2-4	MF117140	FLEXIBLE FLAT CABLE	17P 140mm P=1.25		カード電線 C & C	
2-11	VV849300	RADIATION SHEET	19x24		シート/放熱	
2-20	WC656000	SUPPORT/TR 5P			サポート/TR 5P	
2-21	V2673000	SUPPORT/TR 2P			サポート/TR 2P	
2-102	V0368600	PUSH RIVET	P3555-B		プッシュリベット	
2-103	VK173200	SCREW, TRANSISTOR	3x15 SP MFC2		スクリューTR	
2-104	VT669300	PW HEAD B-TIGHT SCREW	3x8-8 MFC2		PWヘッドBタイトネジ	

* New Parts * 新規部品

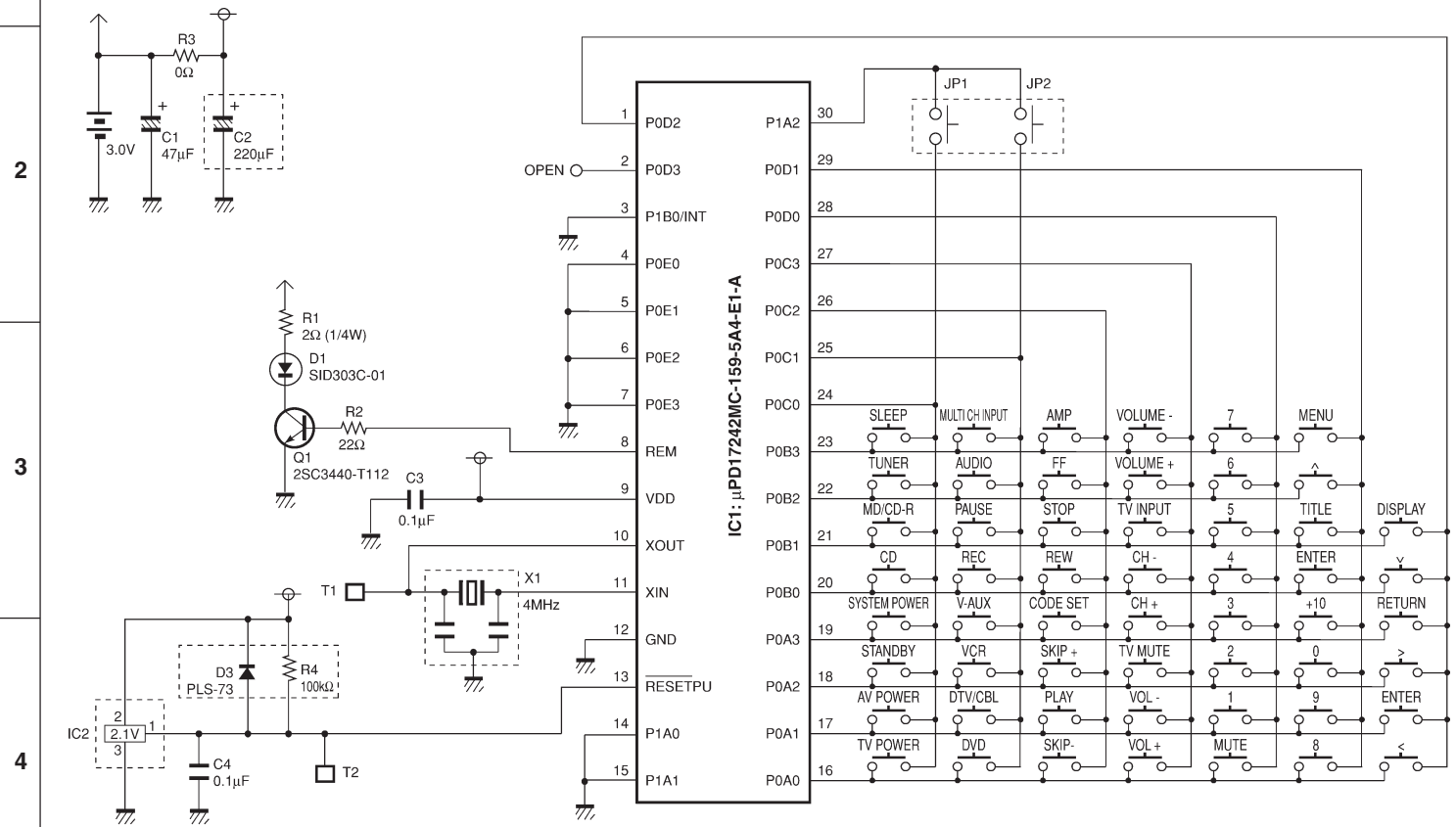
■ REMOTE CONTROL RAV254: RX-V557 (U, C, R, T, K, A, L models), HTR-5850, DSP-AX557, RX-V457 (U, C, R, T, K, A, L models), HTR-5840 (U, C, T, K, A models), DSP-AX457
RAV255: RX-V557 (B, G, E models)

● SCHEMATIC DIAGRAM

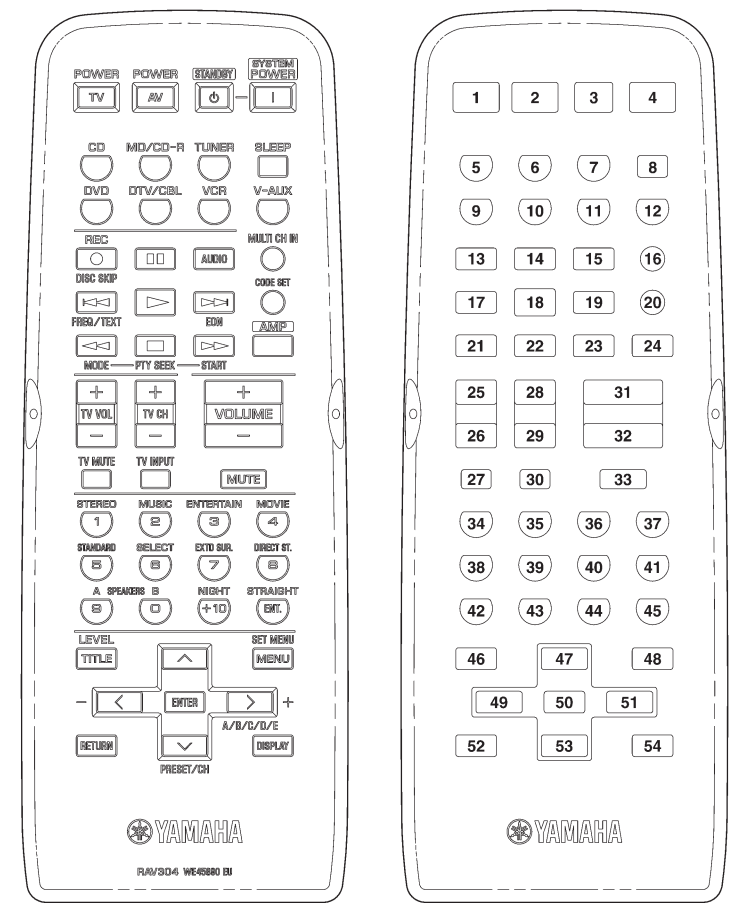


Key No.	Schematic Key No.	Function	YPC	ZONE2			DVD			LD	CD	CD-R	MD	TAPE		TUNER		AMP	
				MAIN	ZONE2	SYSTEM	Yamaha1	Yamaha3	Yamaha4					Yamaha	Yamaha1	Yamaha2	Yamaha1		Yamaha2
1	K17	CODE SET	-	-	-	-	-	-	-	-	-	-	-	-	-	-	-	-	
2	K9	TV POWER	-	-	-	-	-	-	-	-	-	-	-	-	-	-	-	-	
3	K12	AV POWER	-	-	-	-	7C-80	004.012	048.012	-	-	-	-	79-B5	-	-	-	-	
4	K14	STANDBY	7A-1E	7E-7F	7E-BB	7A-1E	-	-	-	-	-	-	-	-	-	-	-	-	
5	K16	SYSTEM POWER	7A-1D	7E-7E	7E-BA	7A-1D	-	-	-	-	-	-	-	-	-	-	-	-	
6	K10	CD	7A-15	7A-15	7A-D1	-	-	-	-	-	-	-	-	-	-	-	-	-	
7	K11	MD/CD-R	7A-C9	7A-C9	7A-CF	-	-	-	-	-	-	-	-	-	-	-	-	-	
8	K13	TUNER	7A-16	7A-16	7A-D2	-	-	-	-	-	-	-	-	-	-	-	-	-	
9	K15	SLEEP	7A-57	7A-57	-	-	-	-	-	-	-	-	-	-	-	-	-	-	
10	K49	DVD	7A-C1	7A-C1	7A-CD	-	-	-	-	-	-	-	-	-	-	-	-	-	
11	K52	DTV/CBL	7A-54	7A-54	7A-D9	-	-	-	-	-	-	-	-	-	-	-	-	-	
12	K54	V-AUX	7A-55	7A-55	7A-D8	-	-	-	-	-	-	-	-	-	-	-	-	-	
13	K56	MULTI CH INPUT	7A-87	7A-87	-	-	-	-	-	-	-	-	-	-	-	-	-	-	
14	K50	VCR	7A-0F	7A-0F	7A-D6	-	-	-	-	-	-	-	-	-	-	-	-	-	
15	K51	★	7A-13	7A-13	7A-D7	-	-	-	-	-	-	-	-	-	-	-	-	-	
16	K53	★★	-	-	-	-	-	-	-	-	-	-	-	-	-	-	-	-	
17	K55	AMP	-	-	-	-	-	-	-	-	-	-	-	-	-	-	-	-	
18	K28	TV VOL +	-	-	-	-	-	-	-	-	-	-	-	-	-	-	-	-	
19	K30	TV CH +	-	-	-	-	-	-	-	-	-	-	-	-	-	-	-	-	
20	K32	VOLUME +	7A-1A	7A-1A	-	-	-	-	-	-	-	-	-	7A-1A	-	-	-	-	
21	K26	TV VOL -	-	-	-	-	-	-	-	-	-	-	-	-	-	-	-	-	
22	K29	TV CH -	-	-	-	-	-	-	-	-	-	-	-	-	-	-	-	-	
23	K31	VOLUME -	7A-1B	7A-1B	-	-	-	-	-	-	-	-	-	7A-1B	-	-	-	-	
24	K25	TV MUTE	-	-	-	-	-	-	-	-	-	-	-	-	-	-	-	-	
25	K27	TV INPUT	-	-	-	-	-	-	-	-	-	-	-	-	-	-	-	-	
26	K20	MUTE	7A-1C	7A-1C	7A-DC	-	-	-	-	-	-	-	-	7A-1C	-	-	-	-	
27	K18	1	-	-	-	-	7C-94	004.001	048.001	7C-17	79-11	79-11	7F-91	79-85	79-B7	-	7A-E5	D1-0E	7A-88
28	K19	2	-	-	-	-	7C-95	004.002	048.002	7C-18	79-12	79-12	7F-92	79-86	79-B8	-	7A-E6	D1-0F	7A-89
29	K21	3	-	-	-	-	7C-96	004.003	048.003	7C-19	79-13	79-13	7F-93	79-87	79-B9	-	7A-E7	D1-10	7A-8A
30	K23	4	-	-	-	-	7C-97	004.004	048.004	7C-1A	79-14	79-14	7F-94	79-88	79-BA	-	7A-E8	D1-11	7A-8B
31	K57	5	-	-	-	-	7C-98	004.005	048.005	7C-1B	79-15	79-15	7F-95	79-89	79-BB	-	7A-E9	D1-12	7A-8C
32	K60	6	-	-	-	-	7C-99	004.006	048.006	7C-1C	79-16	79-16	7F-96	79-8A	79-BC	-	7A-EA	D1-13	7A-8D
33	K62	7	-	-	-	-	7C-9A	004.007	048.007	7C-1D	79-17	79-17	7F-97	79-8B	79-BD	-	7A-EB	D1-14	7A-8E
34	K64	8	-	-	-	-	7C-9B	004.008	048.008	7C-1E	79-18	79-18	7F-98	79-8C	79-BE	-	7A-EC	D1-15	7A-8F
35	K58	9	-	-	-	-	7C-9C	004.009	048.009	7C-1F	79-19	79-19	7F-99	79-8D	79-BF	-	-	-	7A-90
36	K59	0	-	-	-	-	7C-93	004.000	048.000	7C-10	79-10	79-10	7F-90	79-8E	79-C0	-	-	-	7A-96
37	K61	+10	-	-	-	-	7C-9D	004.120	-	7C-5D	79-1A	79-1A	7F-9A	79-8F	79-BF	-	-	-	7A-97
38	K63	ENTER	-	-	-	-	7C-9E	-	-	7C-15	79-0B	79-0B	7F-8A	-	-	-	-	-	7A-56
39	K36	TITLE	-	-	-	-	7C-B1	004.113	048.200	-	-	-	-	-	-	-	-	-	7A-86
40	K38	^	-	-	-	-	7C-B4	004.088	048.088	-	-	-	-	-	-	-	7A-10	7A-10	7A-98
41	K40	MENU	-	-	-	-	7C-B2	004.084	048.084	-	-	-	-	-	-	-	7A-12	-	7A-9C
42	K34	<	-	-	-	-	7C-B5	004.090	048.090	-	-	-	-	-	-	-	-	-	7A-53
43	K37	ENTER	-	-	-	-	7C-B8	004.092	048.092	-	-	-	-	-	-	-	-	-	-
44	K39	>	-	-	-	-	7C-B6	004.091	048.091	-	-	-	-	-	-	-	-	-	7A-52
45	K33	RETURN	-	-	-	-	7C-B7	004.131	048.131	-	-	-	-	-	-	-	D1-0D	7A-85	-
46	K35	v	-	-	-	-	7C-B3	004.089	048.089	-	-	-	-	-	-	-	7A-11	7A-11	7A-99
47	K24	DISPLAY	-	-	-	-	7C-A6	004.015	048.015	7C-13	79-0A	79-0A	7F-9E	79-A5	79-A5	-	-	-	7A-C2
48	K41	REC	-	-	-	-	7C-8B	004.127	048.055	-	7A-4F	79-4F	-	79-AF	79-B1	7A-04	7F-04	-	-
49	K44	REW	-	-	-	-	7C-86	004.041	048.041	7C-06	7A-0D	79-05	7F-88	79-AC	79-AC	7A-01	7F-01	-	-
50	K46	FF	-	-	-	-	7C-87	004.040	048.040	7C-07	7A-0C	79-06	7F-89	79-AD	79-AD	7A-02	7F-02	-	-
51	K48	AUDIO	-	-	-	-	7C-AD	004.078	048.078	7C-12	-	-	-	-	-	7A-06	7F-06	-	-
52	K42	PAUSE	-	-	-	-	7C-83	004.048	048.048	7C-5A	7A-09	79-55	7F-83	79-A9	79-A9	-	-	-	-
53	K43	SKIP -	-	-	-	-	7C-B9	004.033	048.033	7C-02	7A-0B	79-04	7F-86	79-AB	79-AB	7A-07	7F-07	-	-
54	K45	SKIP +	-	-	-	-	7C-BA	004.032	048.032	7C-03	7A-0A	79-07	7F-87	79-AE	79-AE	7A-04	7F-08	-	-
55	K47	STOP	-	-	-	-	7C-85	004.049	048.049	7C-5B	7A-09	79-56	7F-84	79-AA	79-AA	7A-03	7F-03	-	-
56	K22	PLAY	-	-	-	-	7C-82	004.044	048.044	7C-05	7A-08	79-02	7F-82	79-A8	79-A8	7A-00	7F-00	-	-

REMOTE CONTROL RAV304: RX-V457/HTR-5840 (B, G, E models)
SCHEMATIC DIAGRAM

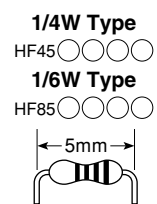
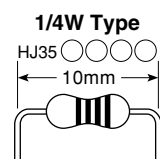


Key No.	Function	CODE								
		AMP	CD	MD	CD-R	TUNER	DVD (P)	DVD (Y)	DVD (M)	DVD-R (P)
1	TV POWER	-	-	-	-	-	-	-	-	-
2	AV POWER	-	-	-	7F-80	-	A5-AA	7C-80	3D-8D	A5-AA
3	STANDBY	7A-1E	-	-	-	-	-	-	-	-
4	SYSTEM POWER	7A-1D	-	-	-	-	-	-	-	-
5	CD	7A-15	-	-	-	-	-	-	-	-
6	MD/CD-R	7A-C9	-	-	-	-	-	-	-	-
7	TUNER	7A-16	-	-	-	-	-	-	-	-
8	SLEEP	7A-57	-	-	-	-	-	-	-	-
9	DVD	7A-C1	-	-	-	-	-	-	-	-
10	DTV/CBL	7A-54	-	-	-	-	-	-	-	-
11	VCR	7A-0F	-	-	-	-	-	-	-	-
12	V-AUX	7A-55	-	-	-	-	-	-	-	-
13	REC, DISC SKIP	-	7A-4F	79-AF	-	-	55-56	7C-8B	-	56-5A
14	PAUSE	-	7A-09	79-A9	7F-83	-	AA-5A	7C-83	06-B6	AA-5A
15	AUDIO	-	-	-	-	-	95-A6	7C-AD	33-83	95-A6
16	MULTI CH INPUT	7A-87	-	-	-	-	-	-	-	-
17	SKIP -	-	7A-0B	79-AB	7F-86	7A-A4	6A-9A	7C-B9	49-F9	6A-9A
18	PLAY	-	7A-08	79-A8	7F-82	-	A5-9A	7C-82	0A-BA	A5-9A
19	SKIP +	-	7A-0A	79-AE	7F-87	7A-A5	AA-9A	7C-BA	4A-FA	AA-9A
20	CODE SET	-	-	-	-	-	-	-	-	-
21	REW (SEARCH -)	-	7A-0D	79-AC	7F-88	7A-A6	69-9A	7C-86	04-B4	69-9A
22	STOP	-	7A-09	79-AA	7F-84	-	6A-5A	7C-85	00-B0	6A-5A
23	FF (SEARCH +)	-	7A-0C	79-AD	7F-89	7A-A7	A9-9A	7C-87	05-B5	A9-9A
24	AMP	-	-	-	-	-	-	-	-	-
25	TV VOL +	-	-	-	-	-	-	-	-	-
26	TV VOL -	-	-	-	-	-	-	-	-	-
27	TV MUTE	-	-	-	-	-	-	-	-	-
28	TV CH +	-	-	-	-	-	-	-	-	-
29	TV CH -	-	-	-	-	-	-	-	-	-
30	TV INPUT	-	-	-	-	-	-	-	-	-
31	VOLUME +	7A-1A	-	-	-	-	-	-	-	-
32	VOLUME -	7A-1B	-	-	-	-	-	-	-	-
33	MUTE	7A-1C	-	-	-	-	-	-	-	-
34	1	7A-88	79-11	79-85	7F-91	7A-E5	6A-AA	7C-94	10-A0	6A-AA
35	2	7A-89	79-12	79-86	7F-92	7A-E6	9A-AA	7C-95	11-A1	9A-AA
36	3	7A-8A	79-13	79-87	7F-93	7A-E7	5A-AA	7C-96	12-A2	5A-AA
37	4	7A-8B	79-14	79-88	7F-94	7A-E8	A6-AA	7C-97	13-A3	A6-AA
38	5	7A-8C	79-15	79-89	7F-95	7A-E9	66-AA	7C-98	14-A4	66-AA
39	6	7A-8D	79-16	79-8A	7F-96	7A-EA	96-AA	7C-99	15-A5	96-AA
40	7	7A-8E	79-17	79-8B	7F-97	7A-EB	56-AA	7C-9A	16-A6	56-AA
41	8	7A-8F	79-18	79-8C	7F-98	7A-EC	A9-AA	7C-9B	17-A7	A9-AA
42	9	7A-90	79-19	79-8D	7F-99	-	69-AA	7C-9C	18-A8	69-AA
43	0	7A-95	79-10	79-8E	7F-90	-	AA-AA	7C-93	19-A9	AA-AA
44	+10	7A-97	79-1A	79-8F	7F-9A	-	A9-56	7C-9D	89-39	A9-56
45	ENTER	7A-56	79-0B	-	7F-8A	-	A9-A5	7C-9E	-	A9-A5
46	TITLE	7A-86	-	-	-	-	6A-56	7C-B1	9B-2B	6A-56
47	^	7A-98	-	-	-	7A-10	A9-66	7C-B4	85-35	A9-66
48	MENU	7A-9C	-	-	-	7A-12	A6-66	7C-B2	80-30	A6-66
49	<	7A-53	-	-	-	-	99-66	7C-B5	87-37	99-66
50	ENTER	7A-DE	-	-	-	-	A5-66	7C-B8	82-32	A5-66
51	>	7A-52	-	-	-	-	59-66	7C-B6	88-38	59-66
52	RETURN	7A-85	-	-	-	-	5A-A9	7C-B7	81-31	5A-A9
53	v	7A-99	-	-	-	7A-11	69-66	7C-B3	86-36	69-66
54	DISPLAY	-	79-0A	79-A5	7F-9E	-	55-AA	7C-A6	92-22	55-AA



Parts List for Carbon Resistors

Value	1/4W Type Part No.	1/6W Type Part No.	Value	1/4W Type Part No.	1/6W Type Part No.
1.0 Ω	HJ35 3100	HF85 3100	10 kΩ	HF45 7100	HF45 7100
1.8 Ω	HJ35 3180	*	11 kΩ	HF45 7110	HF45 7110
2.2 Ω	HJ35 3220	HF85 3220	12 kΩ	HJ35 7120	HF85 7120
3.3 Ω	HJ35 3330	HF85 3330	13 kΩ	HF45 7130	HF45 7130
4.7 Ω	HJ35 3470	HF85 3470	15 kΩ	HF45 7150	HF45 7150
5.6 Ω	HJ35 3560	HF85 3560	18 kΩ	HF45 7180	HF45 7180
10 Ω	HF45 4100	HF45 4100	22 kΩ	HF45 7220	HF45 7220
15 Ω	HJ35 4150	HF85 4150	24 kΩ	HF45 7240	HF45 7240
22 Ω	HF45 4220	HF45 4220	27 kΩ	HJ35 7270	HF85 7270
27 Ω	HJ35 4270	HF85 4270	30 kΩ	HF45 7300	HF45 7300
33 Ω	HF45 4330	HF45 4330	33 kΩ	HF45 7330	HF45 7330
39 Ω	HJ35 4470	HF85 4390	36 kΩ	HF45 7360	HF45 7360
47 Ω	HF45 4470	HF45 4470	39 kΩ	HF45 7390	HF45 7390
56 Ω	HF45 4560	HF45 4560	47 kΩ	HF45 7470	HF45 7470
68 Ω	HF45 4680	HF45 4680	51 kΩ	HF45 7510	HF45 7510
75 Ω	HF45 4750	HF45 4750	56 kΩ	HF45 7560	HF45 7560
82 Ω	HF45 4820	HF45 4820	62 kΩ	HF45 7620	HF45 7620
91 Ω	HF45 4910	HF45 4910	68 kΩ	HF45 7680	HF45 7680
100 Ω	HF45 5100	HF45 5100	82 kΩ	HF45 7820	HF45 7820
110 Ω	HJ35 5110	HF85 5110	91 kΩ	HF45 7910	HF45 7910
120 Ω	HF45 5120	HF45 5120	100 kΩ	HF45 8100	HF45 8100
150 Ω	HF45 5150	HF45 5150	110 kΩ	HF45 8110	HF45 8110
160 Ω	HJ35 5160	*	120 kΩ	HF45 8120	HF45 8120
180 Ω	HF45 5180	HF45 5180	150 kΩ	HF45 8150	HF45 8150
200 Ω	HF45 5200	HF45 5200	180 kΩ	HF45 8180	HF45 8180
220 Ω	HF45 5220	HF45 5220	220 kΩ	HJ35 8220	HF85 8220
270 Ω	HF45 5270	HF45 5270	270 kΩ	HF45 8270	HF45 8270
330 Ω	HF45 5330	HF45 5330	300 kΩ	HF45 8300	HF45 8300
390 Ω	HF45 5390	HF45 5390	330 kΩ	HF45 8330	HF45 8330
430 Ω	HF45 5430	HF45 5430	390 kΩ	HJ35 8390	HF85 8390
470 Ω	HF45 5470	HF45 5470	470 kΩ	HF45 8470	HF45 8470
510 Ω	HF45 5510	HF45 5510	560 kΩ	HJ35 8560	HF85 8560
560 Ω	HF45 5560	HF45 5560	680 kΩ	HJ35 8680	HF85 8680
680 Ω	HF45 5680	HF45 5680	820 kΩ	HJ35 8820	HF85 8820
820 Ω	HF45 5820	HF45 5820	1.0 MΩ	HF45 9100	HF45 9100
910 Ω	HF45 5910	HF45 5910	1.2 MΩ	HJ35 9120	*
1.0 kΩ	HF45 6100	HF45 6100	1.5 MΩ	HJ35 9150	HF85 9150
1.2 kΩ	HF45 6120	HF45 6120	1.8 MΩ	HJ35 9180	HF85 9180
1.5 kΩ	HF45 6150	HF45 6150	2.2 MΩ	HJ35 9220	HF85 9220
1.8 kΩ	HF45 6180	HF45 6180	3.3 MΩ	HJ35 9330	HF85 9330
2.0 kΩ	HJ35 6200	HF85 6200	3.9 MΩ	HJ35 9390	*
2.2 kΩ	HF45 6220	HF45 6220	4.7 MΩ	HJ35 9470	HF85 9470
2.4 kΩ	HJ35 6240	HF85 6240			
2.7 kΩ	HF45 6270	HF45 6270			
3.0 kΩ	HF45 6300	HF45 6300			
3.3 kΩ	HF45 6330	HF45 6330			
3.6 kΩ	HJ35 6360	HF85 6360			
3.9 kΩ	HF45 6390	HF45 6390			
4.7 kΩ	HF45 6470	HF45 6470			
5.1 kΩ	HF45 6510	HF45 6510			
5.6 kΩ	HF45 6560	HF45 6560			
6.8 kΩ	HF45 6680	HF45 6680			
8.2 kΩ	HF45 6820	HF45 6820			
9.1 kΩ	HF45 6910	HF45 6910			



RX-V557/HTR-5850/DSP-AX557 RX-V457/HTR-5840/DSP-AX457



* : Not available