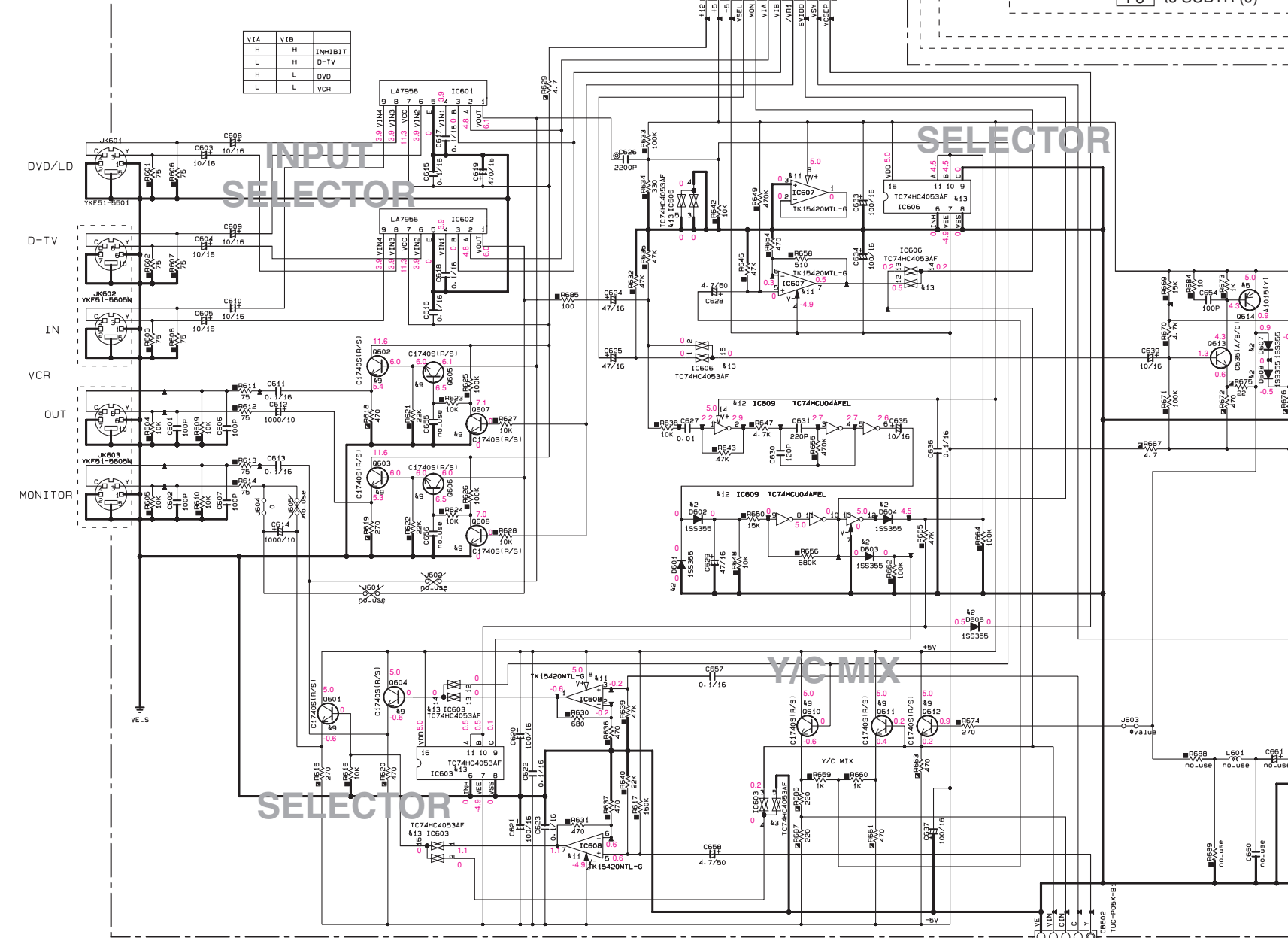
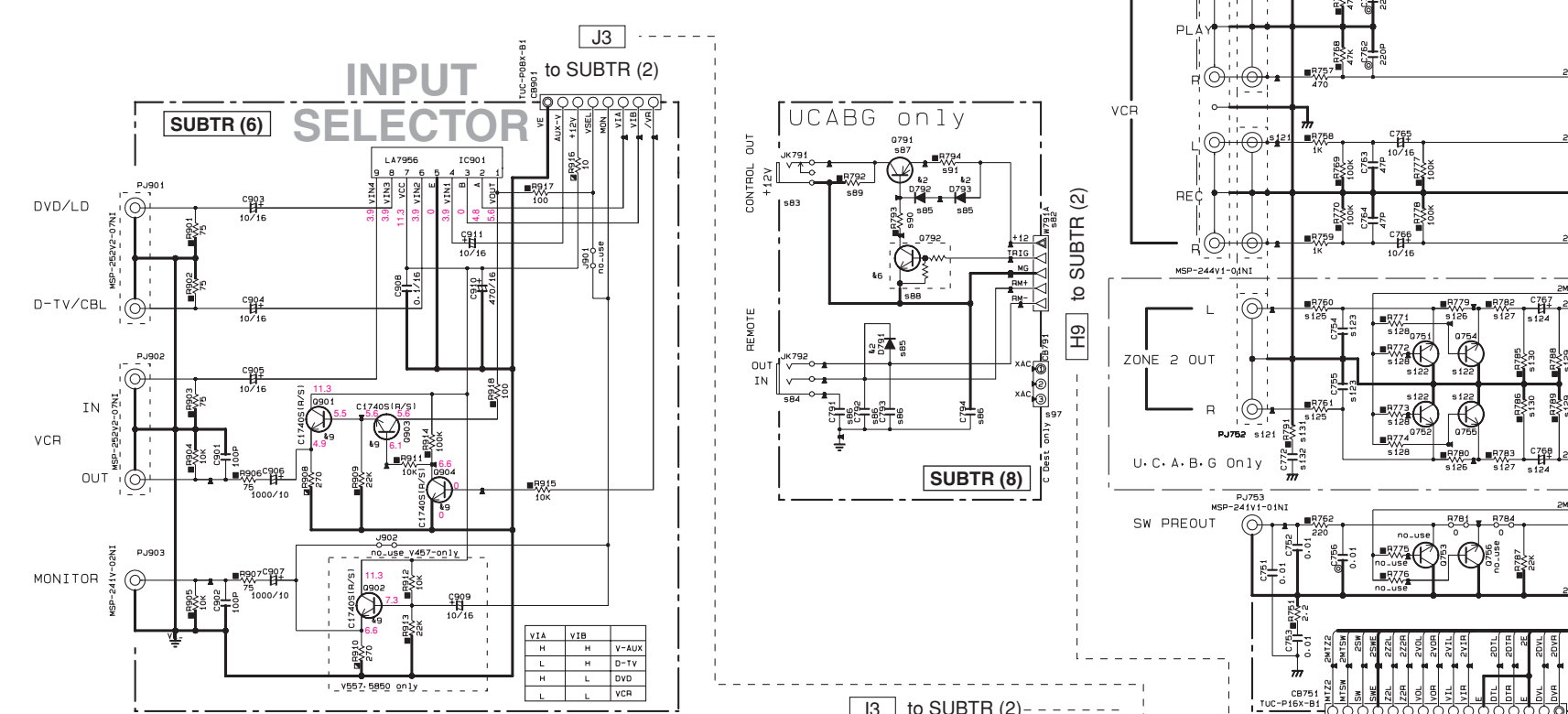
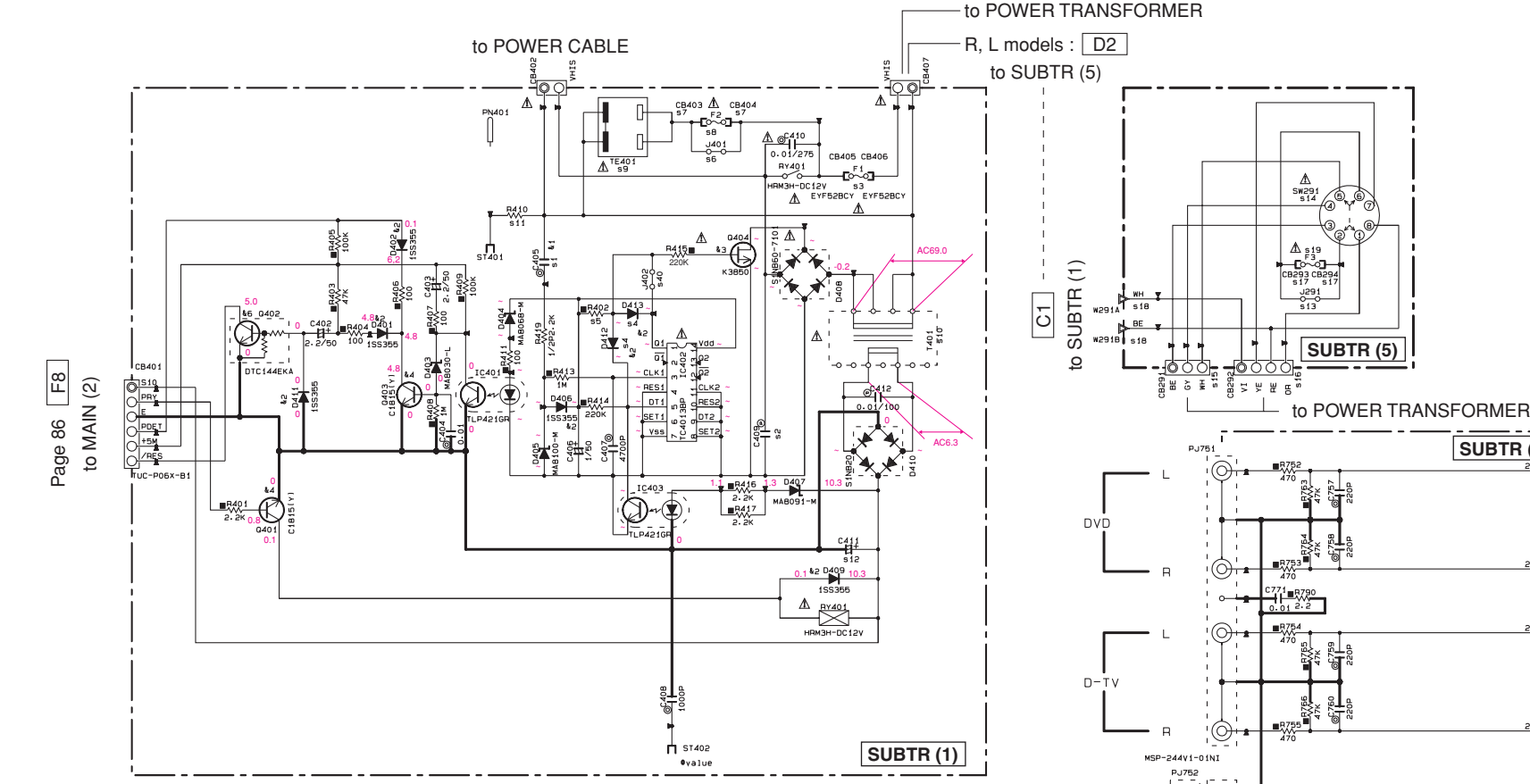


SCHEMATIC DIAGRAM (SUBTRANS) RX-V557/DSP-AX557



Interchangeable Parts at Manufacture Stage table with columns for Part No., Reference Number, Part Name, and Remarks.

Destination Part List (JAPAN) table with columns for Part No., Loc, and Part Name.

Destination Part List (INDONESIA) table with columns for Part No., Loc, and Part Name.

Destination Part List (MALAYSIA) table with columns for Part No., Loc, and Part Name.

Destination Part List (PHILIPPINES) table with columns for Part No., Loc, and Part Name.

Destination Part List (SINGAPORE) table with columns for Part No., Loc, and Part Name.

Destination Part List (TAINAN) table with columns for Part No., Loc, and Part Name.

Destination Part List (INDONESIA) table with columns for Part No., Loc, and Part Name.

Destination Part List (MALAYSIA) table with columns for Part No., Loc, and Part Name.

Destination Part List (PHILIPPINES) table with columns for Part No., Loc, and Part Name.

Destination Part List (SINGAPORE) table with columns for Part No., Loc, and Part Name.

Destination Part List (TAINAN) table with columns for Part No., Loc, and Part Name.

Destination Part List (INDONESIA) table with columns for Part No., Loc, and Part Name.

Destination Part List (MALAYSIA) table with columns for Part No., Loc, and Part Name.

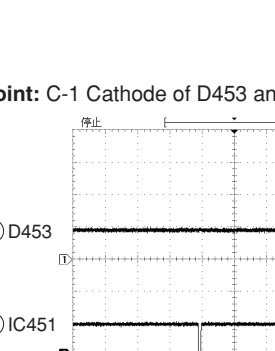
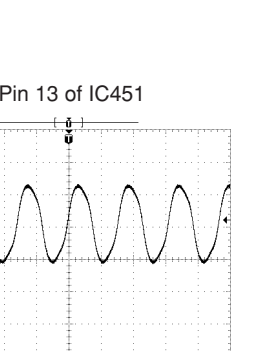
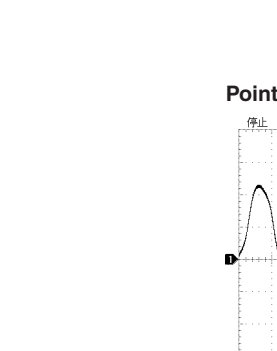
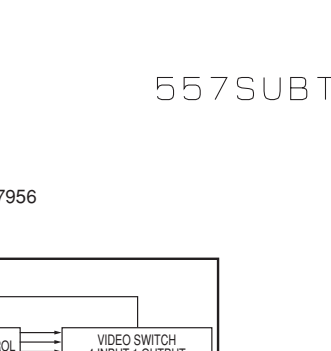
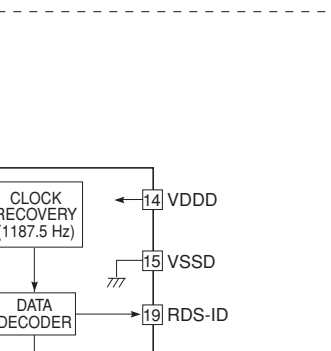
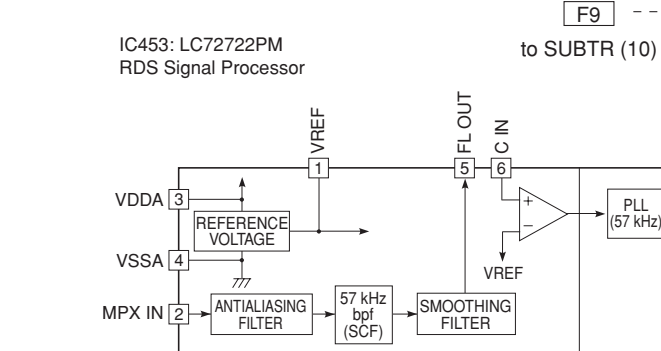
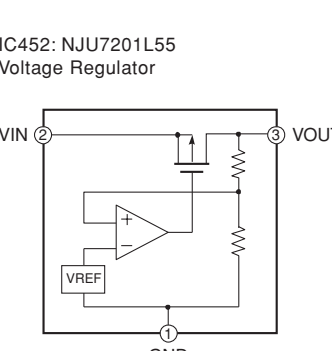
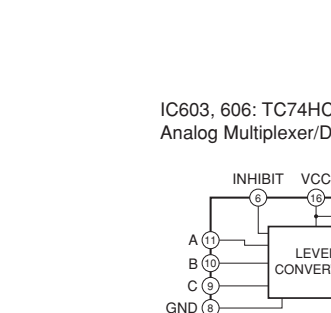
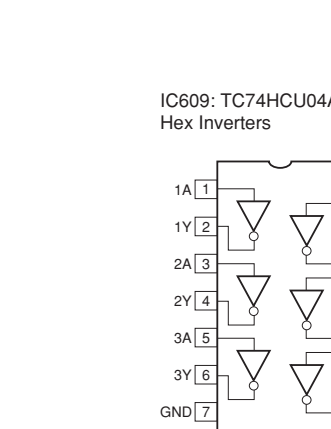
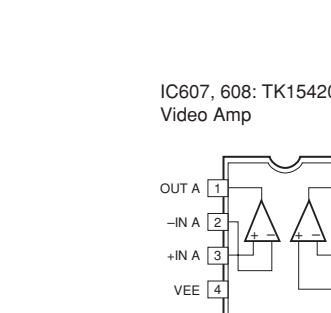
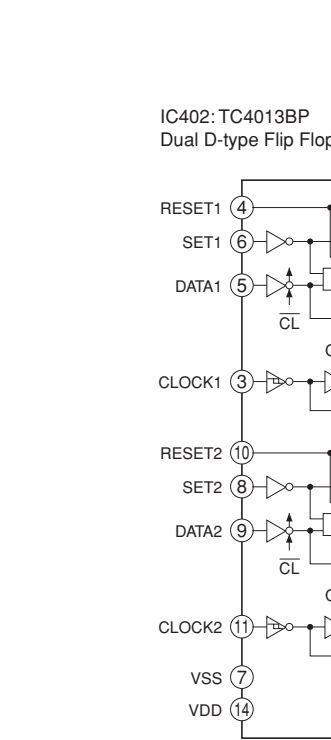
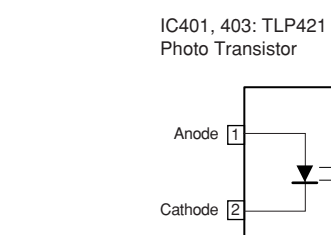
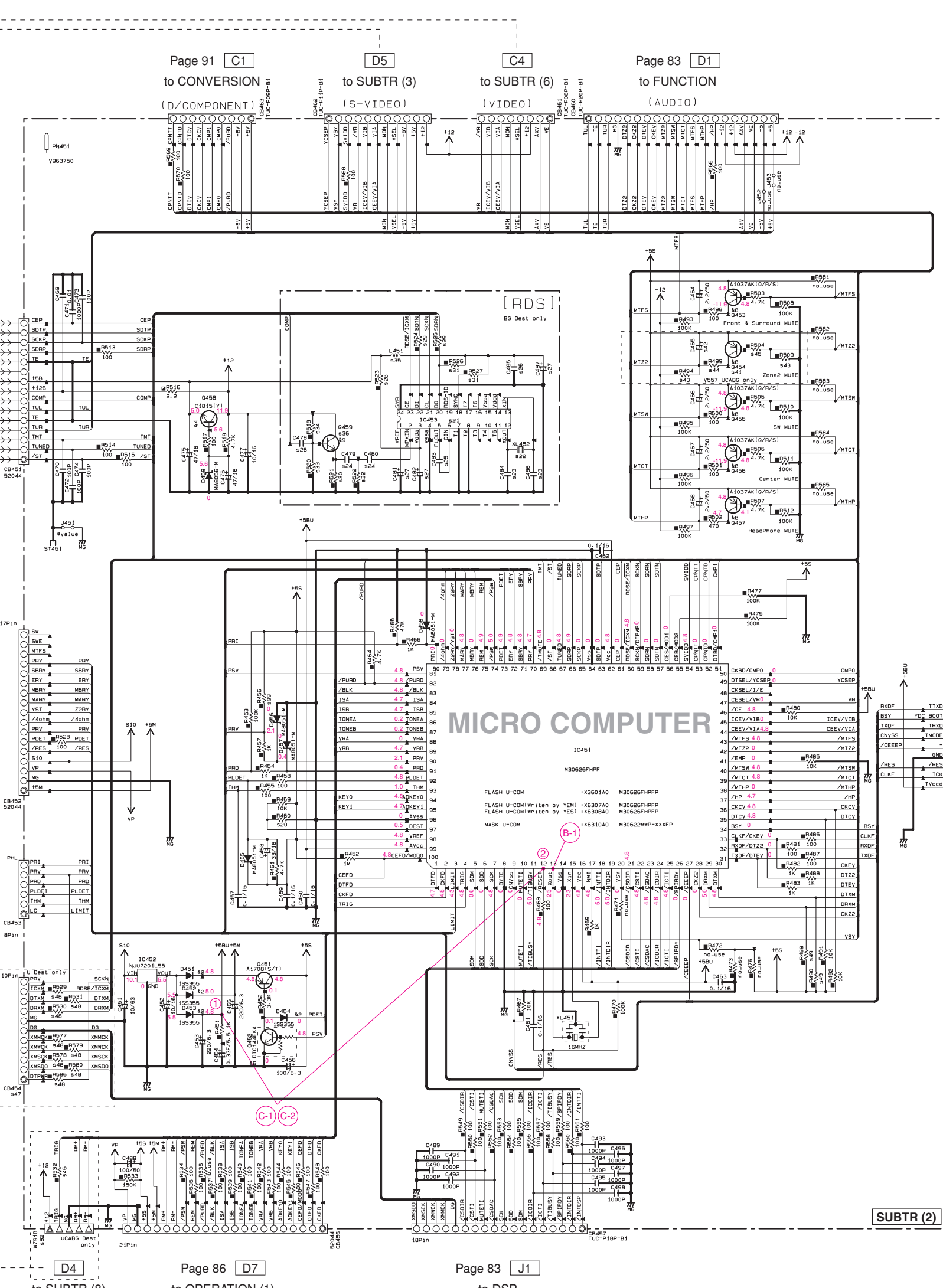
Destination Part List (PHILIPPINES) table with columns for Part No., Loc, and Part Name.

Destination Part List (SINGAPORE) table with columns for Part No., Loc, and Part Name.

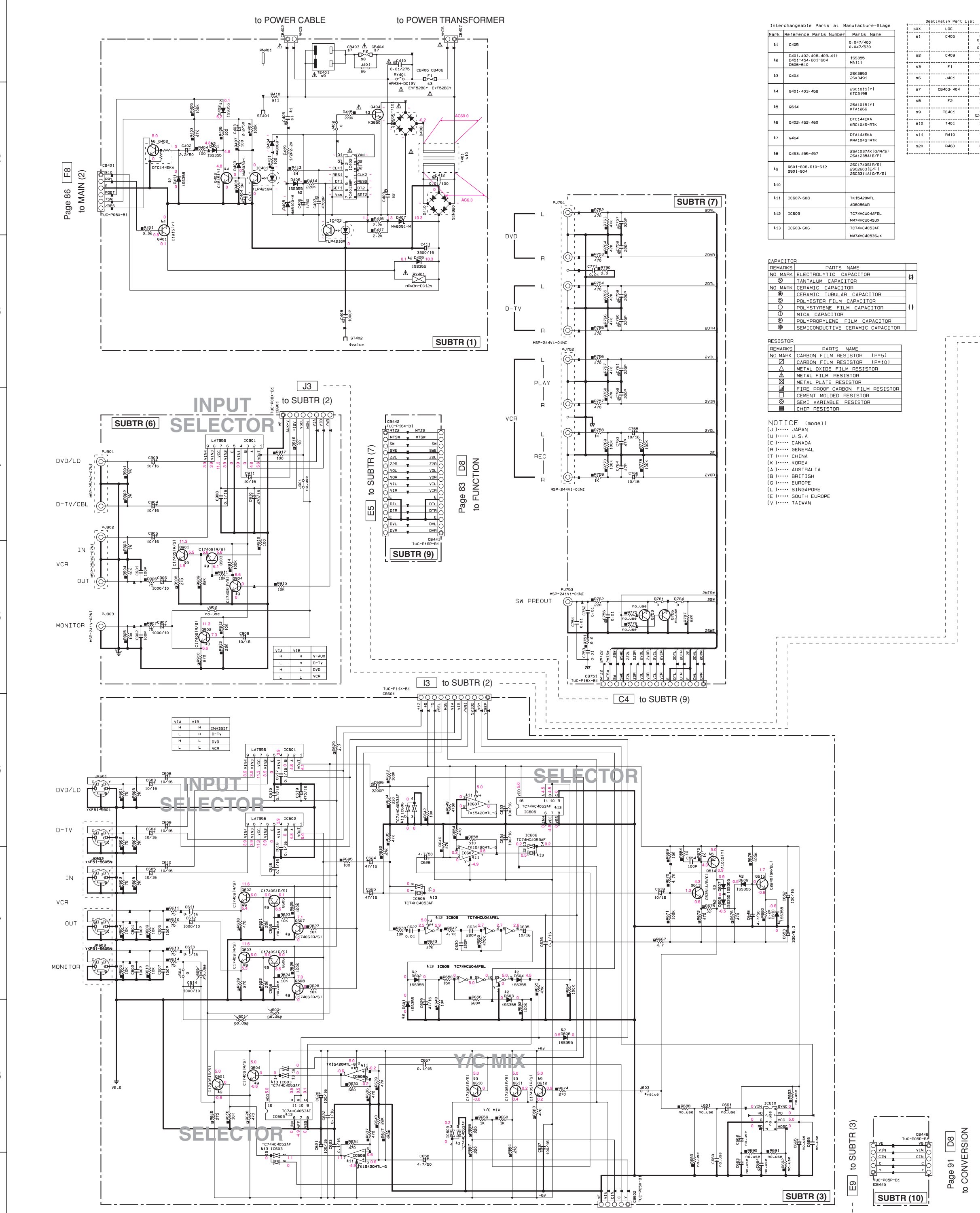
Destination Part List (TAINAN) table with columns for Part No., Loc, and Part Name.

NOTICE (MODEL) and RESISTOR PARTS NAME tables.

CAPACITOR PARTS NAME table.



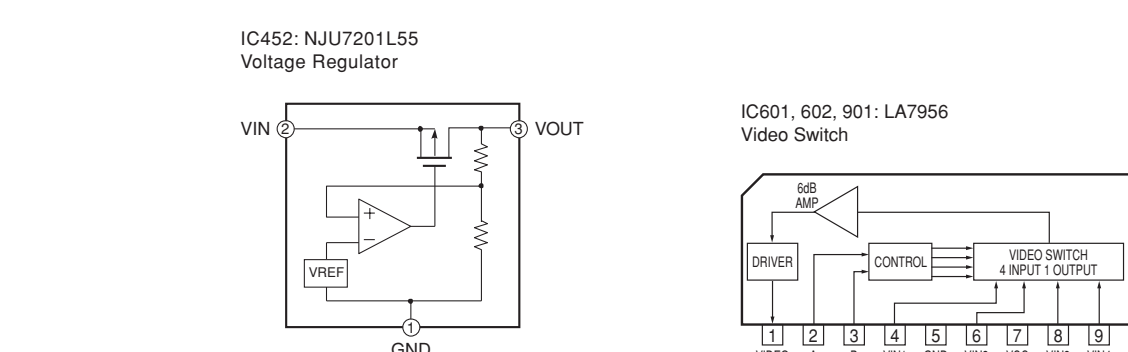
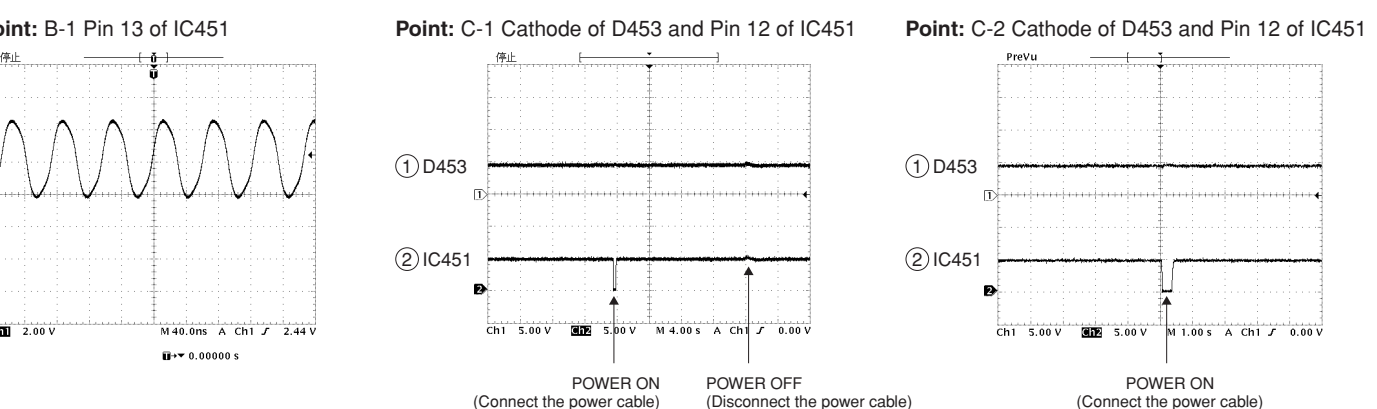
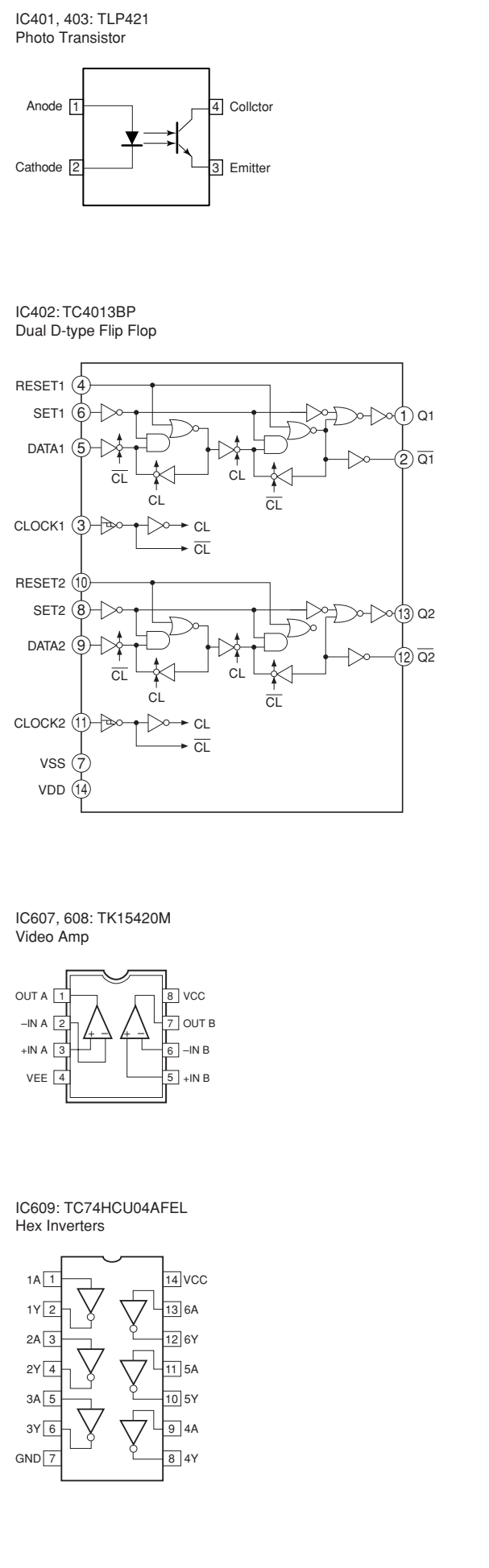
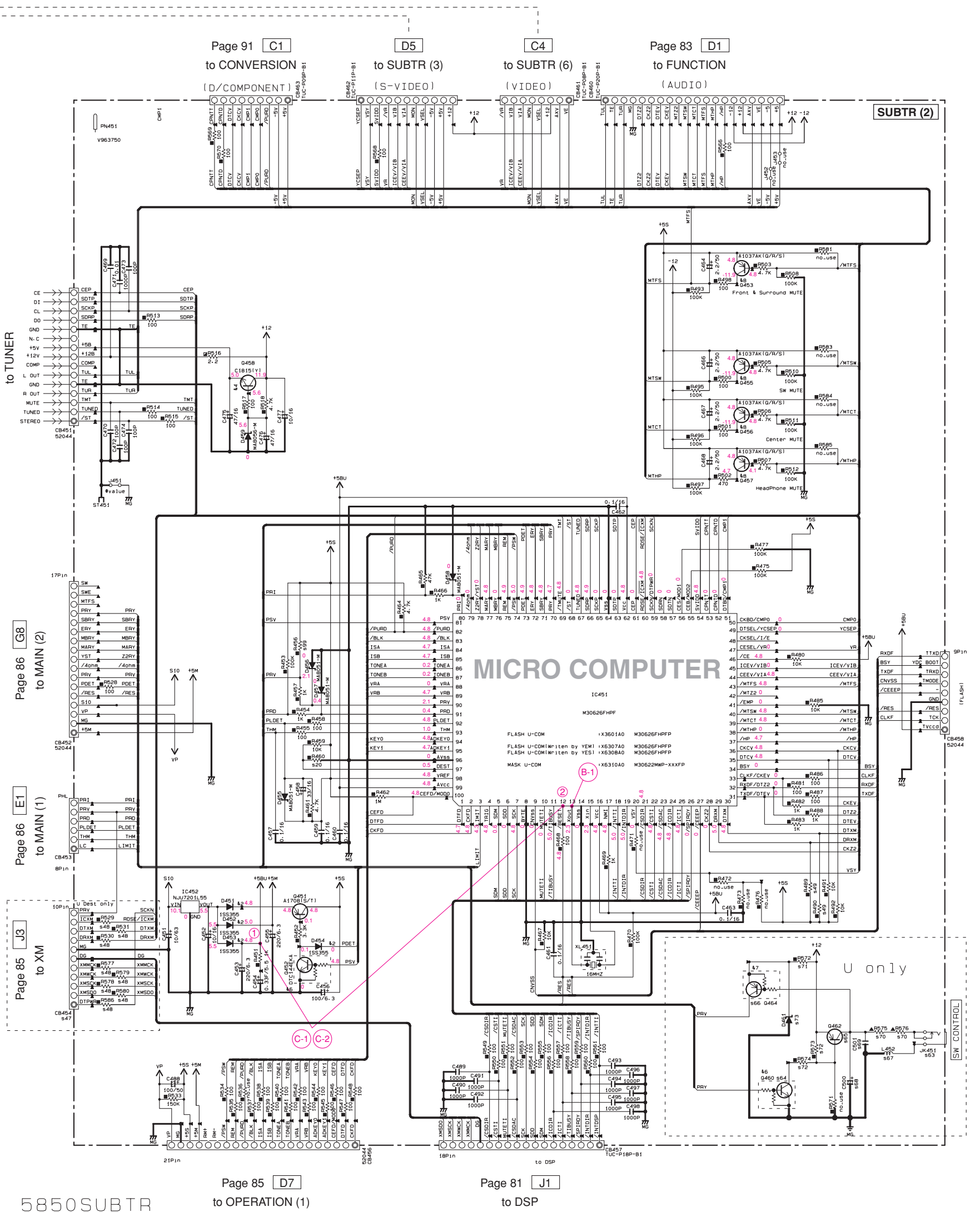
* All voltages are measured with a 10MΩ/V DC electronic volt meter. * Components having special characteristics are marked with a star symbol.



Designation Part List

Part No.	Designation	Part Name
41	C455	D. 547.400 0.100/500
42	DA01-403-403-411	IC5003
43	DA01-403-403-411	MC145584
44	DA01-403-403	MC145584
45	DA01-403-403	MC145584
46	DA01-403-403	MC145584
47	DA01-403-403	MC145584
48	DA01-403-403	MC145584
49	DA01-403-403	MC145584
50	DA01-403-403	MC145584
51	DA01-403-403	MC145584
52	DA01-403-403	MC145584
53	DA01-403-403	MC145584
54	DA01-403-403	MC145584
55	DA01-403-403	MC145584
56	DA01-403-403	MC145584
57	DA01-403-403	MC145584
58	DA01-403-403	MC145584
59	DA01-403-403	MC145584
60	DA01-403-403	MC145584
61	DA01-403-403	MC145584
62	DA01-403-403	MC145584
63	DA01-403-403	MC145584
64	DA01-403-403	MC145584
65	DA01-403-403	MC145584
66	DA01-403-403	MC145584
67	DA01-403-403	MC145584
68	DA01-403-403	MC145584
69	DA01-403-403	MC145584
70	DA01-403-403	MC145584
71	DA01-403-403	MC145584
72	DA01-403-403	MC145584
73	DA01-403-403	MC145584
74	DA01-403-403	MC145584
75	DA01-403-403	MC145584
76	DA01-403-403	MC145584
77	DA01-403-403	MC145584
78	DA01-403-403	MC145584
79	DA01-403-403	MC145584
80	DA01-403-403	MC145584
81	DA01-403-403	MC145584
82	DA01-403-403	MC145584
83	DA01-403-403	MC145584
84	DA01-403-403	MC145584
85	DA01-403-403	MC145584
86	DA01-403-403	MC145584
87	DA01-403-403	MC145584
88	DA01-403-403	MC145584
89	DA01-403-403	MC145584
90	DA01-403-403	MC145584
91	DA01-403-403	MC145584
92	DA01-403-403	MC145584
93	DA01-403-403	MC145584
94	DA01-403-403	MC145584
95	DA01-403-403	MC145584
96	DA01-403-403	MC145584
97	DA01-403-403	MC145584
98	DA01-403-403	MC145584
99	DA01-403-403	MC145584
100	DA01-403-403	MC145584

- CAPACITOR**
- | Designation | Part Name |
|-------------|----------------------------------|
| NO MARK | ELECTROLYTIC CAPACITOR |
| NO MARK | TANTALUM CAPACITOR |
| NO MARK | CERAMIC SUBSTRATE CAPACITOR |
| NO MARK | POLYESTER FILM CAPACITOR |
| NO MARK | POLYPROPYLENE FILM CAPACITOR |
| NO MARK | NYLON FILM CAPACITOR |
| NO MARK | MICA CAPACITOR |
| NO MARK | POLYIMIDE FILM CAPACITOR |
| NO MARK | SEMICONDUCTIVE CERAMIC CAPACITOR |
- RESISTOR**
- | Designation | Part Name |
|-------------|---------------------------------|
| NO MARK | CARBON FILM RESISTOR (RH1) |
| NO MARK | CARBON FILM RESISTOR (RH2) |
| NO MARK | METAL OXIDE FILM RESISTOR |
| NO MARK | METAL FILM RESISTOR |
| NO MARK | CERMENT MOUNTED RESISTOR |
| NO MARK | FILM PROOF CARBON FILM RESISTOR |
| NO MARK | CERMENT MOUNTED RESISTOR |
| NO MARK | SEMICONDUCTIVE RESISTOR |
| NO MARK | CHIP RESISTOR |
- NOTICE (code)**
- (J) JAPAN
 (U) U.S.A.
 (C) CANADA
 (R) GENERAL
 (I) CHINA
 (A) AUSTRALIA
 (B) BRITISH
 (E) EUROPE
 (L) LINDSAY
 (G) SOUTH EUROPE
 (V) TAIWAN



* All voltages are measured with a 10MQ/V DC electronic volt meter.
 * Components having special characteristics are marked with an asterisk and must be replaced with parts having specifications equal to those originally installed.
 * Schematic diagram is subject to change without notice.
 * 電圧は、内部抵抗10MQの電圧計で測定したものです。
 * *印のある部品は、特殊性を持つ部品を示しています。部品の交換が必要な場合、パーツリストに記載されている部品を使用してください。
 * 本回路図は標準回路図です。改良のため予告なく変更することがございます。

NOTICE (model)
1) U.S.A.
2) U.S.A.
3) CANADA
4) GENERAL
5) CHINA
6) KOREA
7) AUSTRALIA
8) BRITISH
9) EUROPE
10) SINGAPORE
11) SOUTH EUROPE
12) TAIWAN

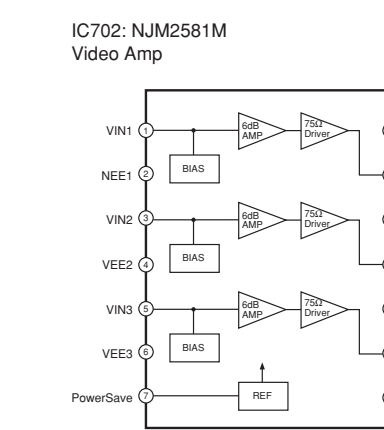
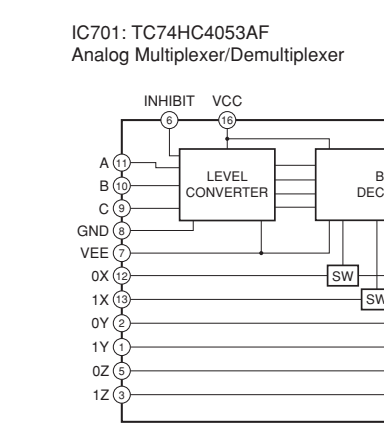
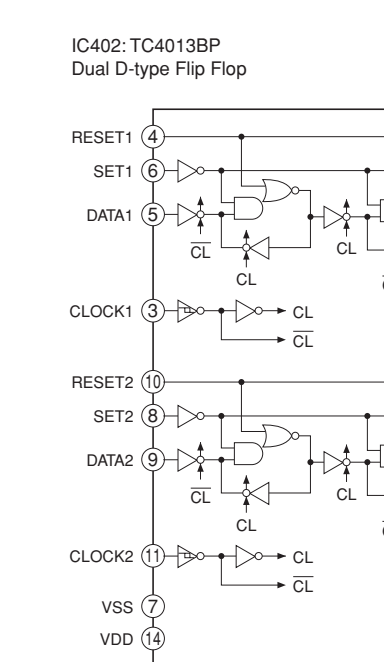
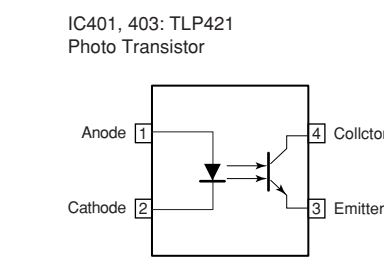
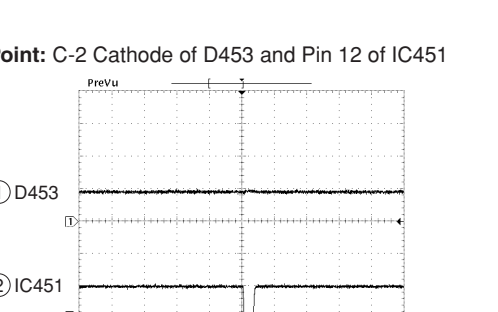
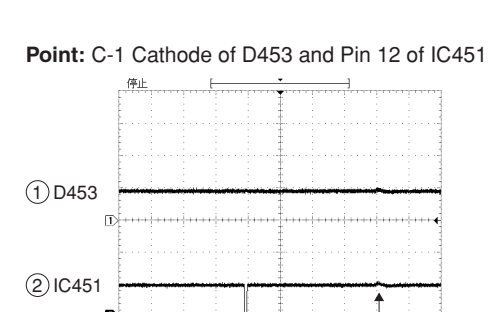
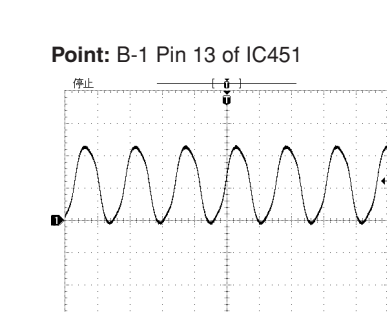
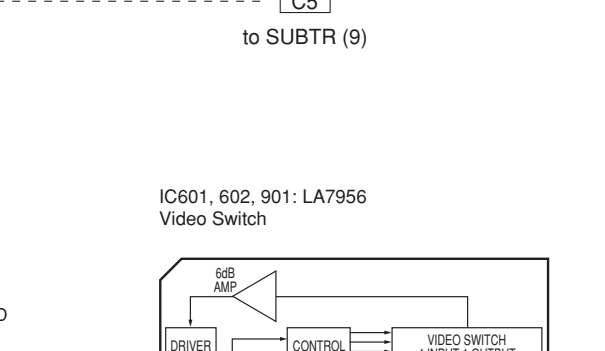
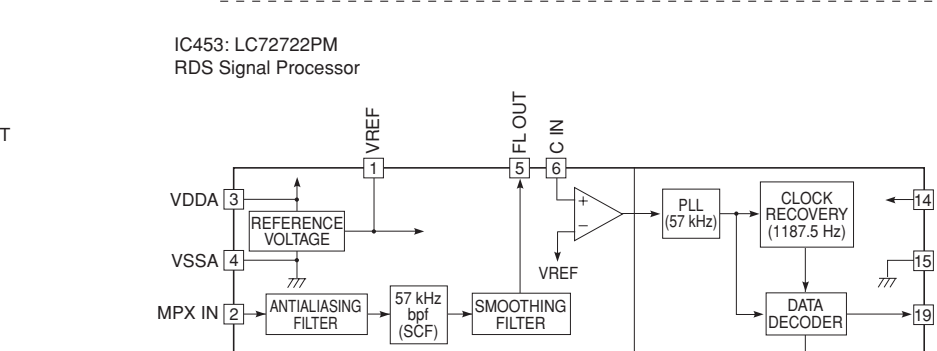
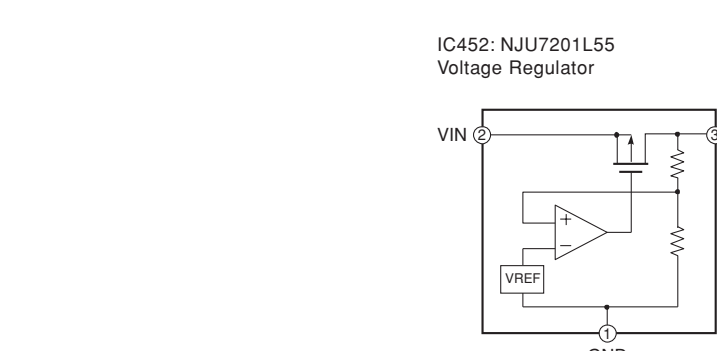
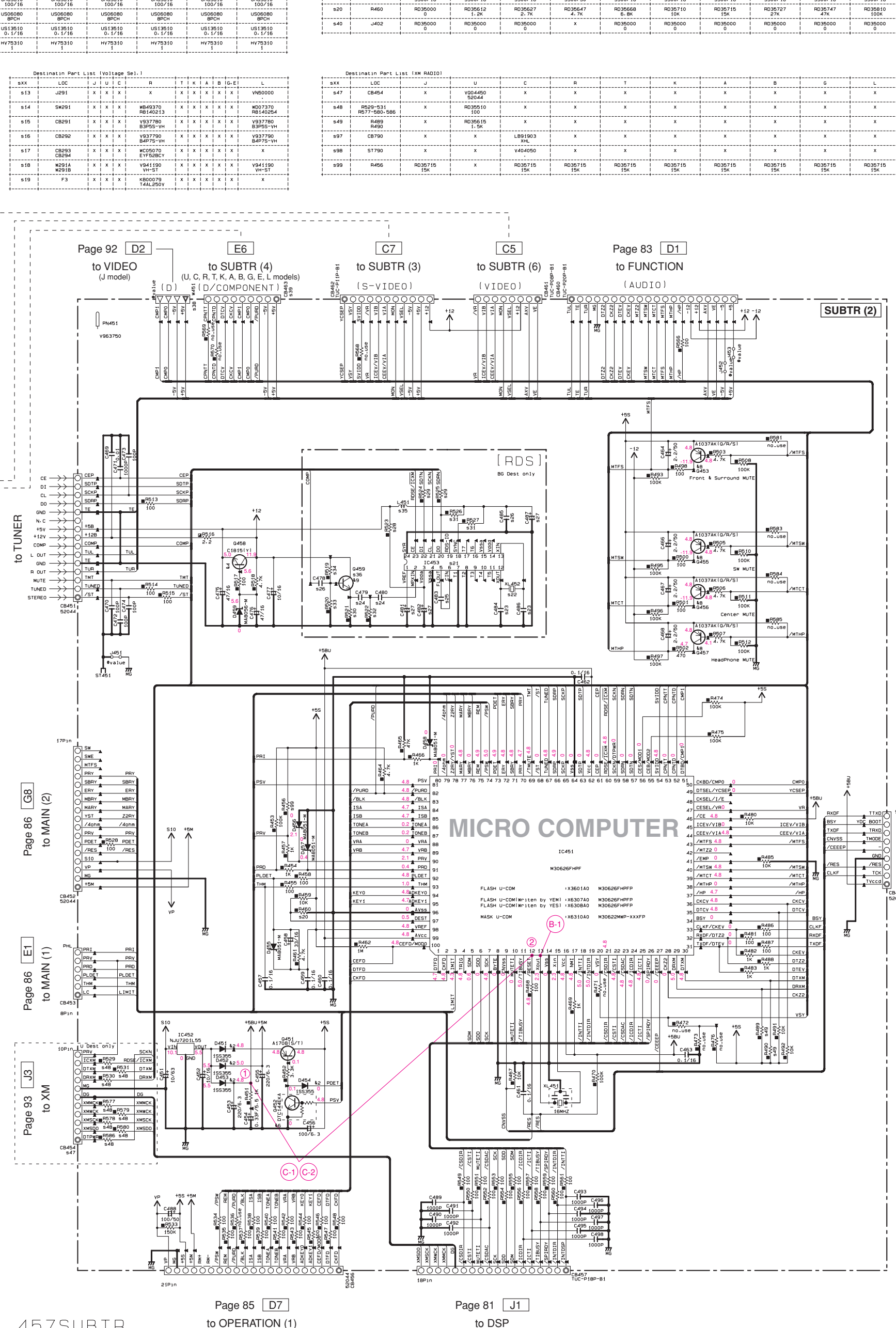
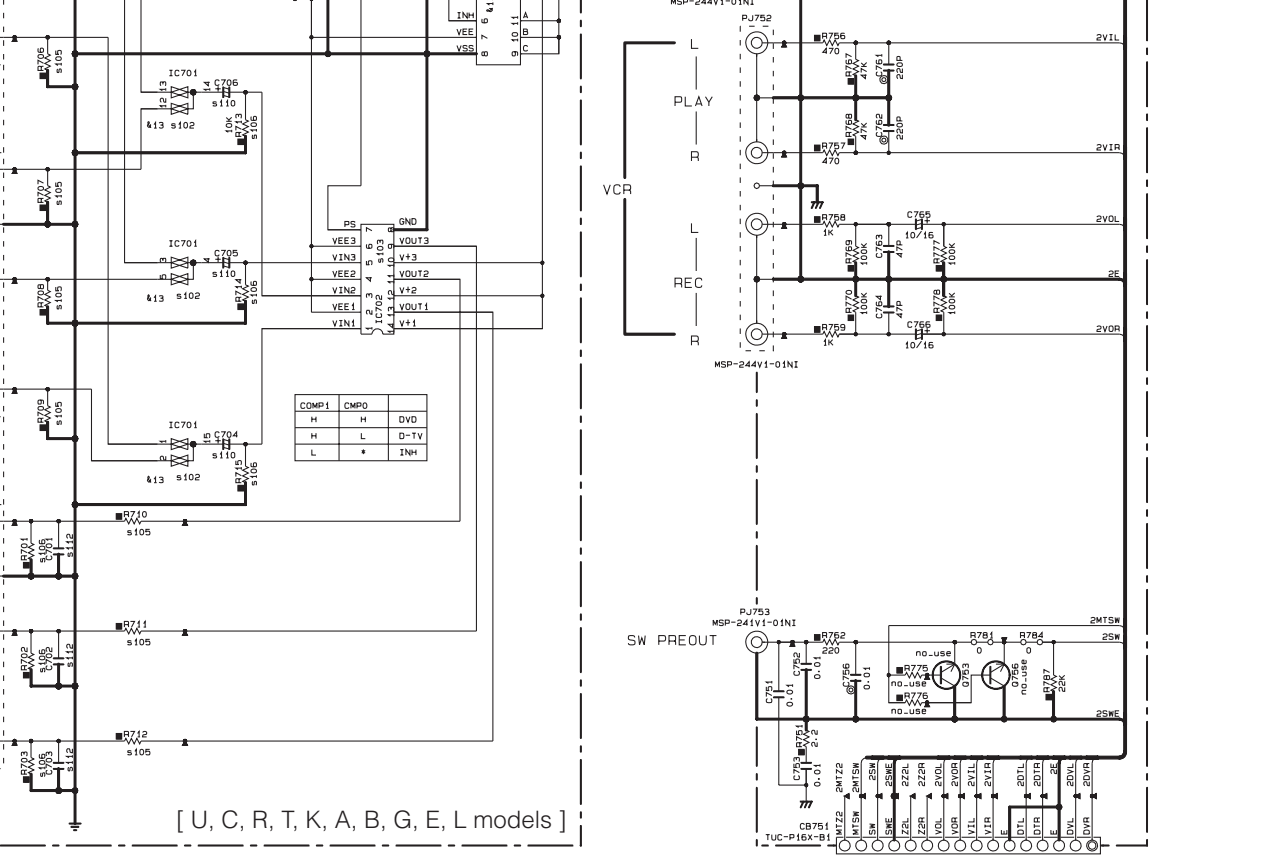
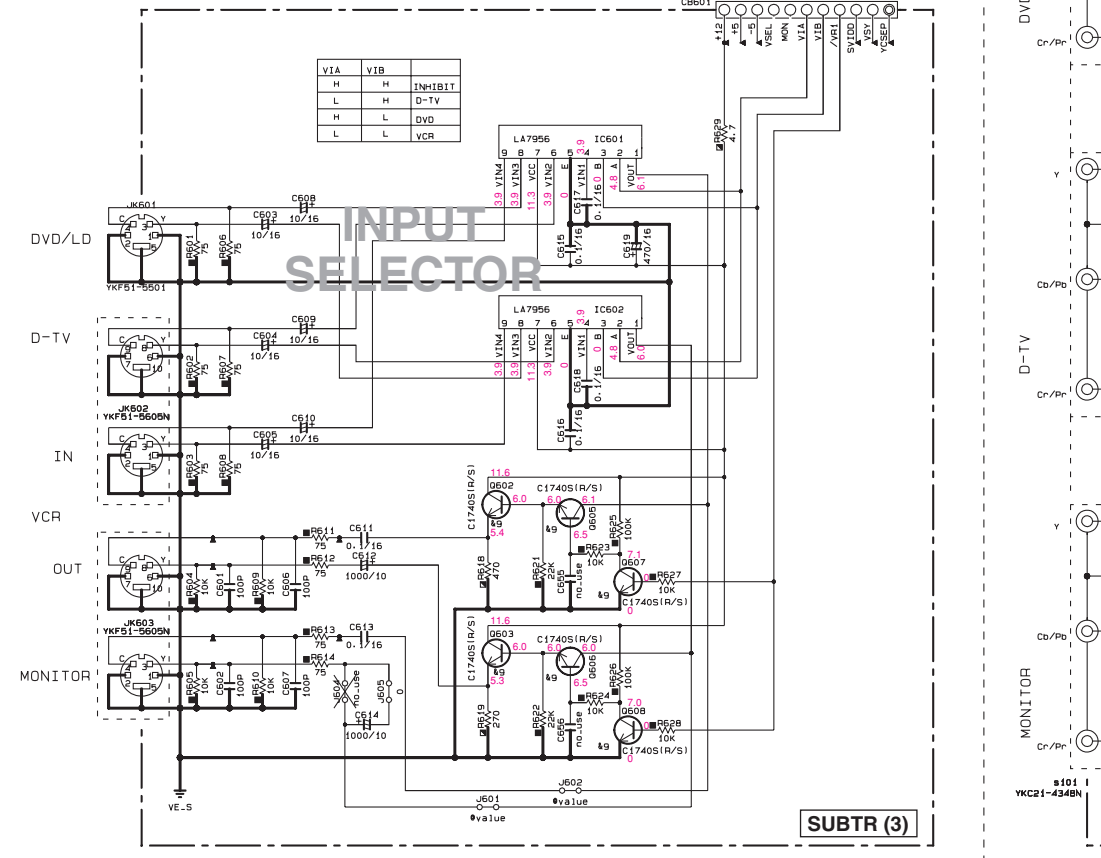
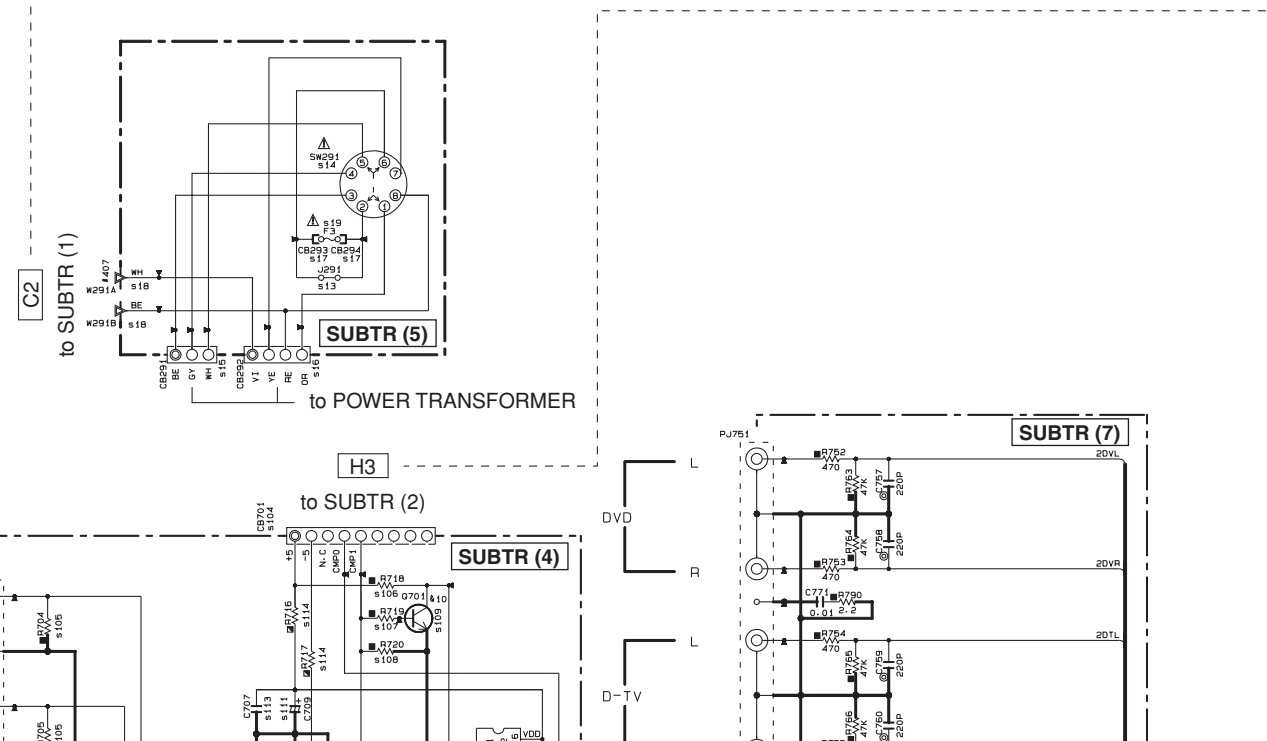
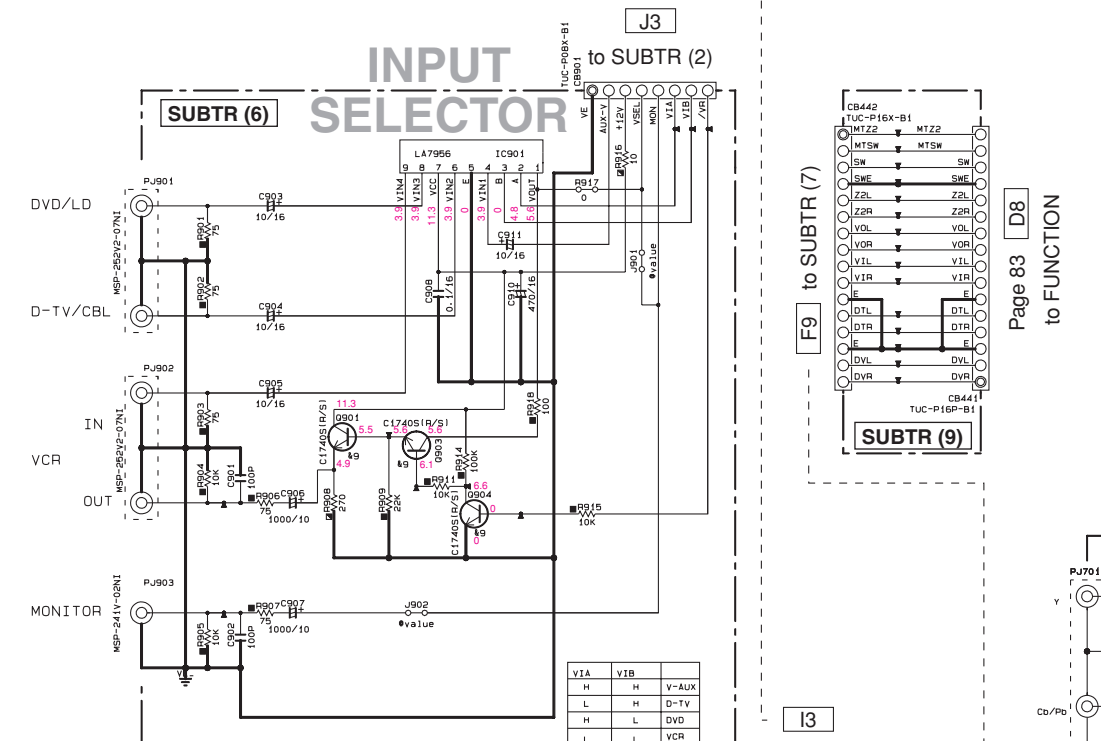
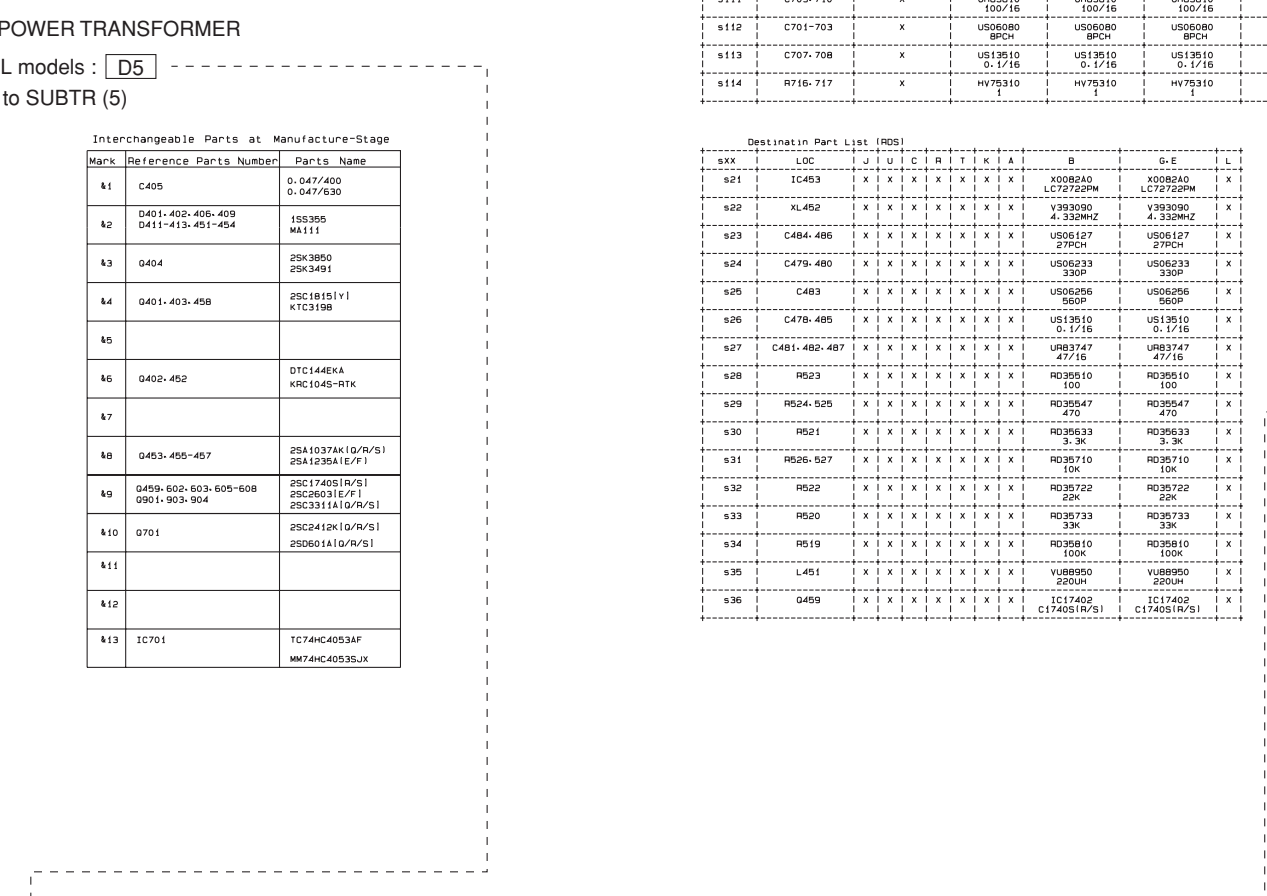
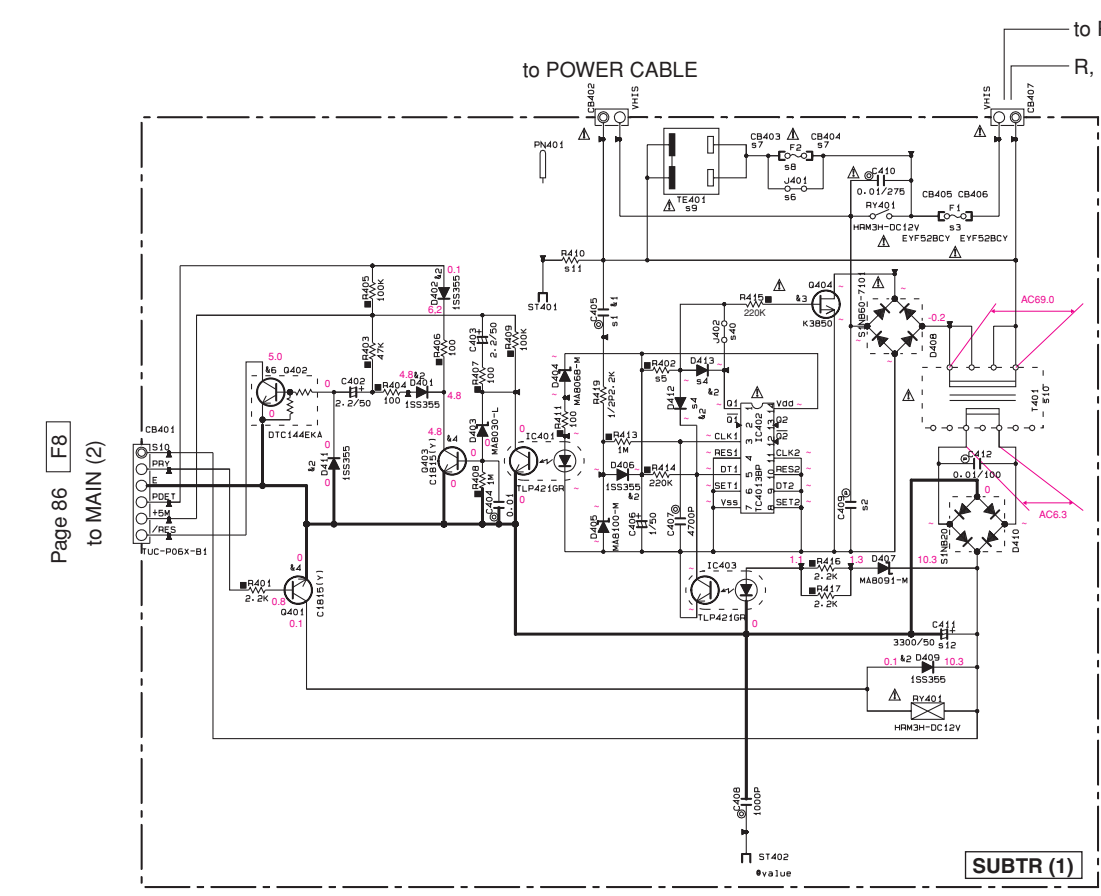
RESISTOR PARTS NAME table with columns for RESISTOR, PARTS NAME, and various resistor types like CARBON FILM, METAL OXIDE FILM, etc.

CAPACITOR PARTS NAME table with columns for CAPACITOR, PARTS NAME, and various capacitor types like ELECTROLYTIC, TANTALUM, CERAMIC, etc.

Interchangeable Parts List table with columns for Part No., Reference Part No., and Parts Name.

Part List table for components like IC401, IC402, IC403, etc., with columns for Part No., Part Name, and various specifications.

Part List table for components like IC404, IC405, IC406, etc., with columns for Part No., Part Name, and various specifications.

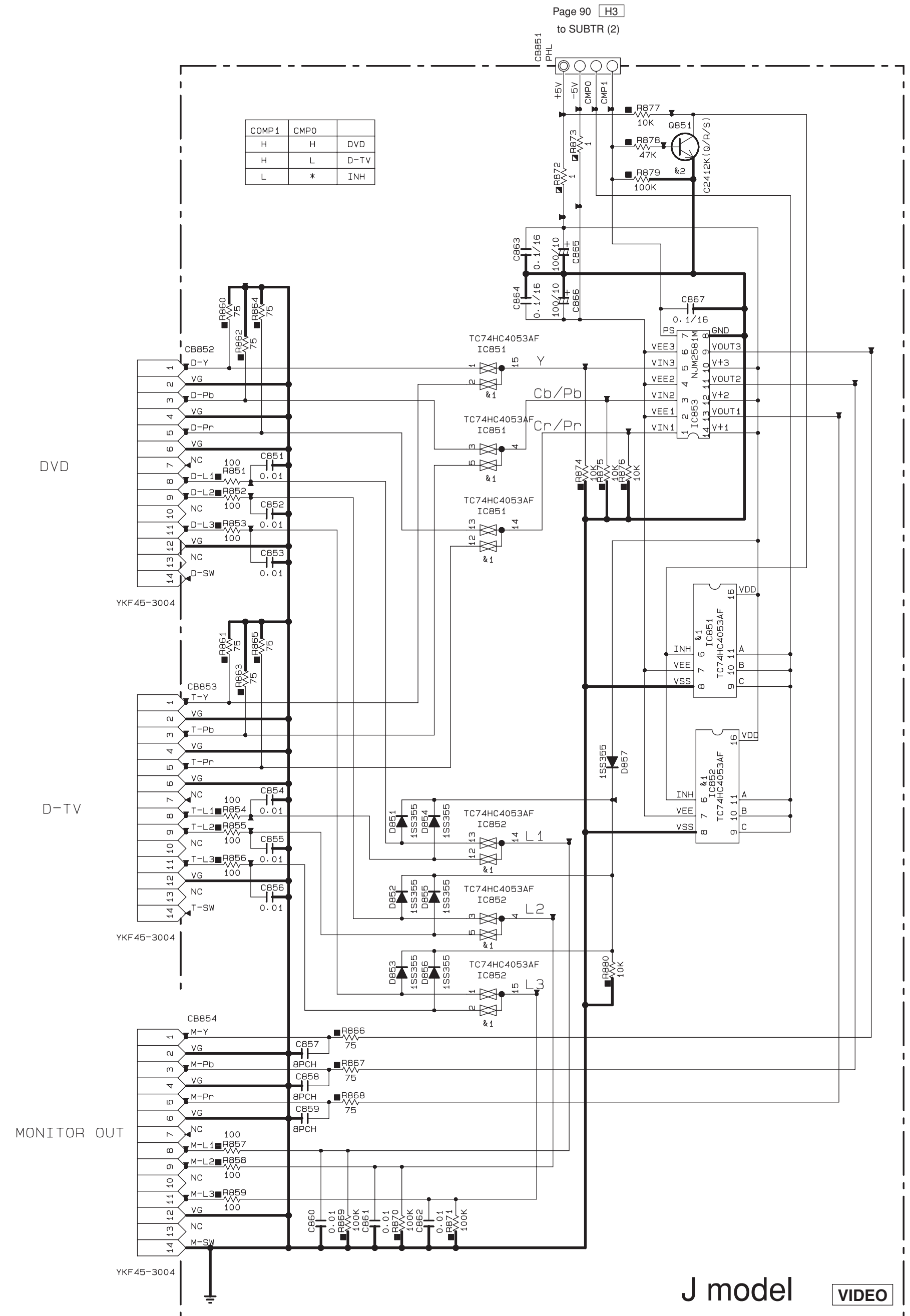


* All voltages are measured with a 10MΩ DC electronic voltmeter.
* Components having special characteristics are marked ! and must be replaced with parts having specifications equal to those originally installed.
* Schematic diagram is subject to change without notice.
* 電圧は、内部抵抗10MΩの電圧計で測定したものです。
* !印のある部品は、安全性確保部品を示しています。部品の交換が必要な場合、パーツリストに記載されている部品を使用してください。
* 本回路図は標準回路図です。改良のため予告なく変更することがございます。

SCHEMATIC DIAGRAM (VIDEO) DSP-AX457 (J model)

Page 90 H3 to SUBTR (2)

COMP1	CMPO	
H	H	DVD
H	L	D-TV
L	*	INH



RESISTOR

REMARKS	PARTS NAME
NO MARK	CARBON FILM RESISTOR (P=5)
□	CARBON FILM RESISTOR (P=10)
△	METAL OXIDE FILM RESISTOR
▲	METAL FILM RESISTOR
⊠	METAL PLATE RESISTOR
■	FIRE PROOF CARBON FILM RESISTOR
□	CEMENT MOLDED RESISTOR
⊕	SEMI VARIABLE RESISTOR
■	CHIP RESISTOR

CAPACITOR

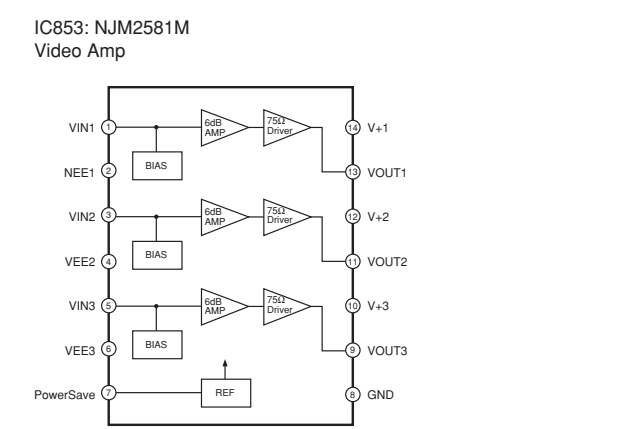
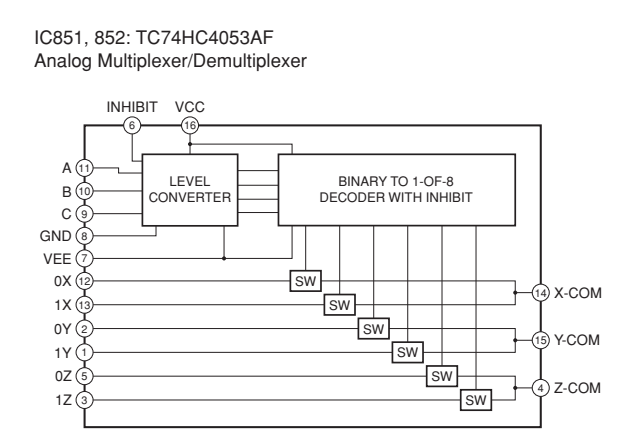
REMARKS	PARTS NAME
NO MARK	ELECTROLYTIC CAPACITOR
⊗	TANTALUM CAPACITOR
NO MARK	CERAMIC CAPACITOR
●	CERAMIC TUBULAR CAPACITOR
⊙	POLYESTER FILM CAPACITOR
○	POLYSTYRENE FILM CAPACITOR
⊖	MICA CAPACITOR
⊕	POLYPROPYLENE FILM CAPACITOR
⊗	SEMICONDUCTIVE CERAMIC CAPACITOR

Interchangeable Parts at Manufacture-Stage

Mark	Reference Parts Number	Parts Name
k1	IC851-852	TC74HC4053AF MM74HC4053SUX
k2	Q851	C2412K1G/R/S1 D601A1G/R/S1

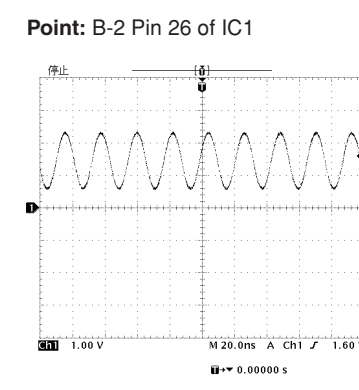
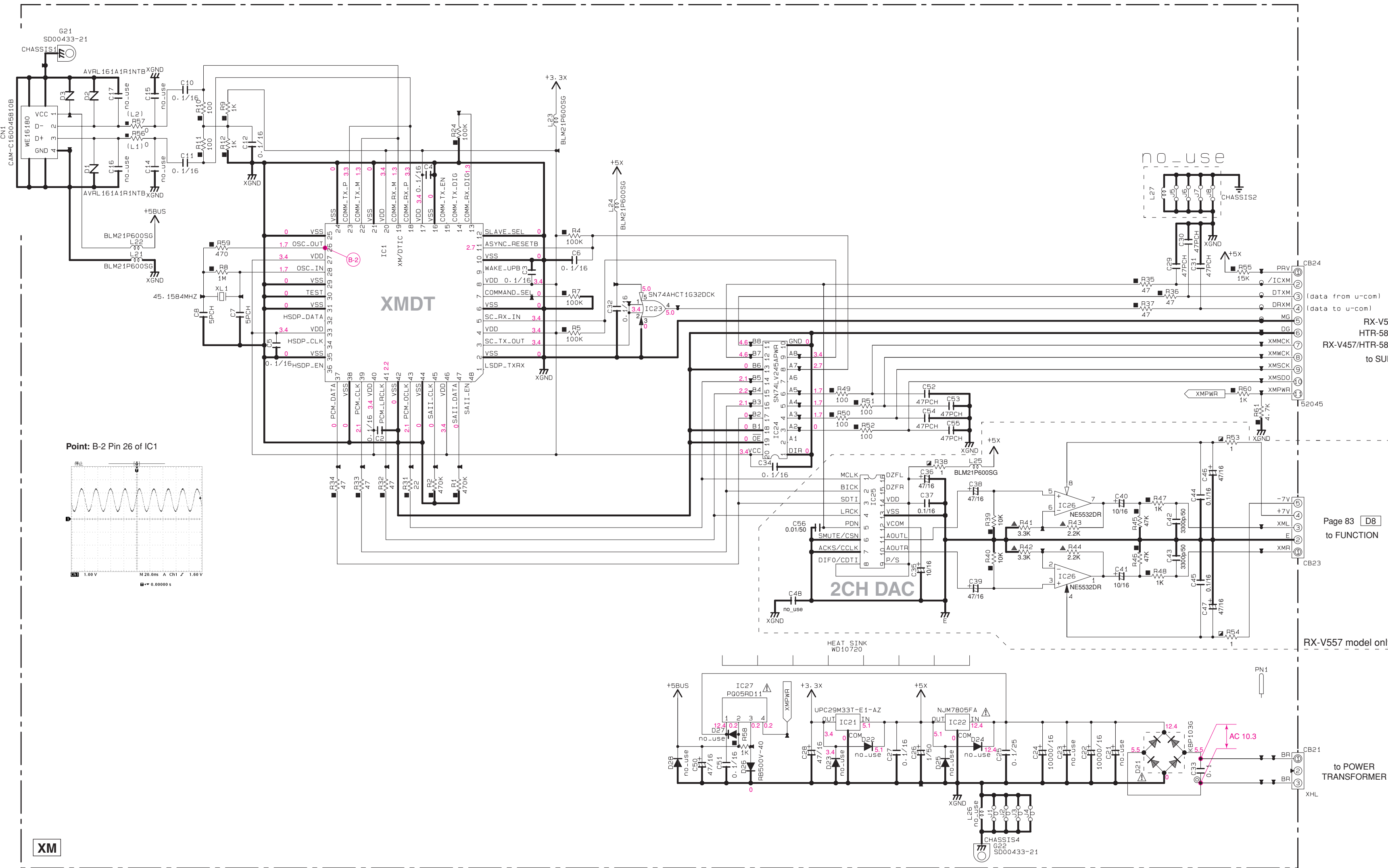
NOTICE (model)

(J)..... JAPAN
 (U)..... U.S.A
 (C)..... CANADA
 (R)..... GENERAL
 (T)..... CHINA
 (K)..... KOREA
 (A)..... AUSTRALIA
 (B)..... BRITISH
 (G)..... EUROPE
 (L)..... SINGAPORE
 (E)..... SOUTH EUROPE
 (V)..... TAIWAN



* All voltages are measured with a 10MΩ/V DC electronic volt meter.
 * Components having special characteristics are marked with a triangle and must be replaced with parts having specifications equal to those originally installed.
 * Schematic diagram is subject to change without notice.

* 電圧は、内部抵抗10MΩの電圧計で測定したものです。
 * 三角形のある部品は、安全性確保部品を示しています。部品の交換が必要な場合、パーツリストに記載されている部品を使用してください。
 * 本回路図は標準回路図です。改良のため予告なく変更することがございます。

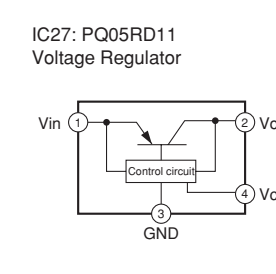
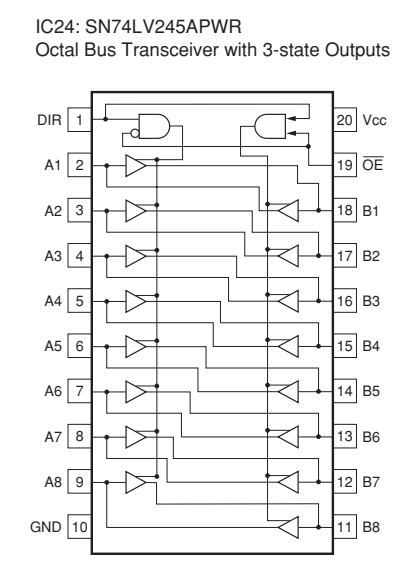
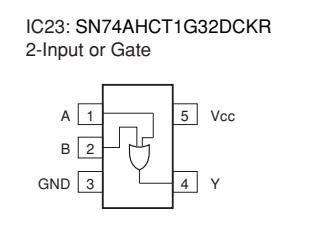
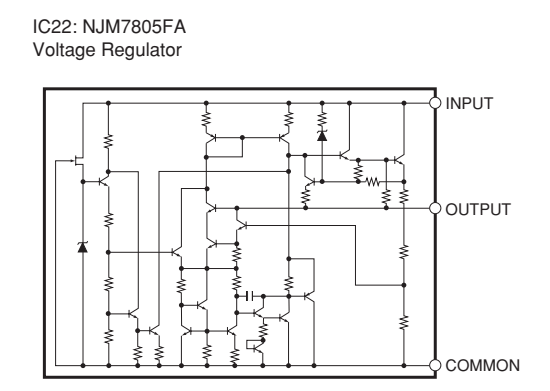
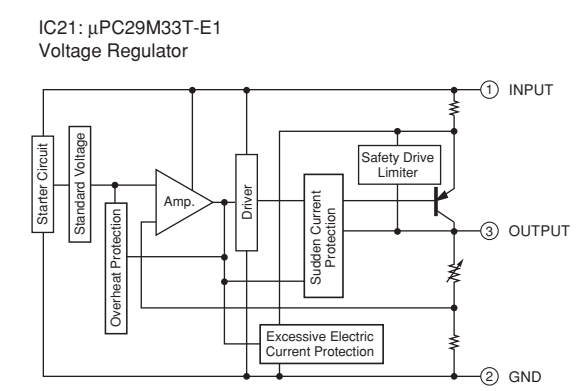
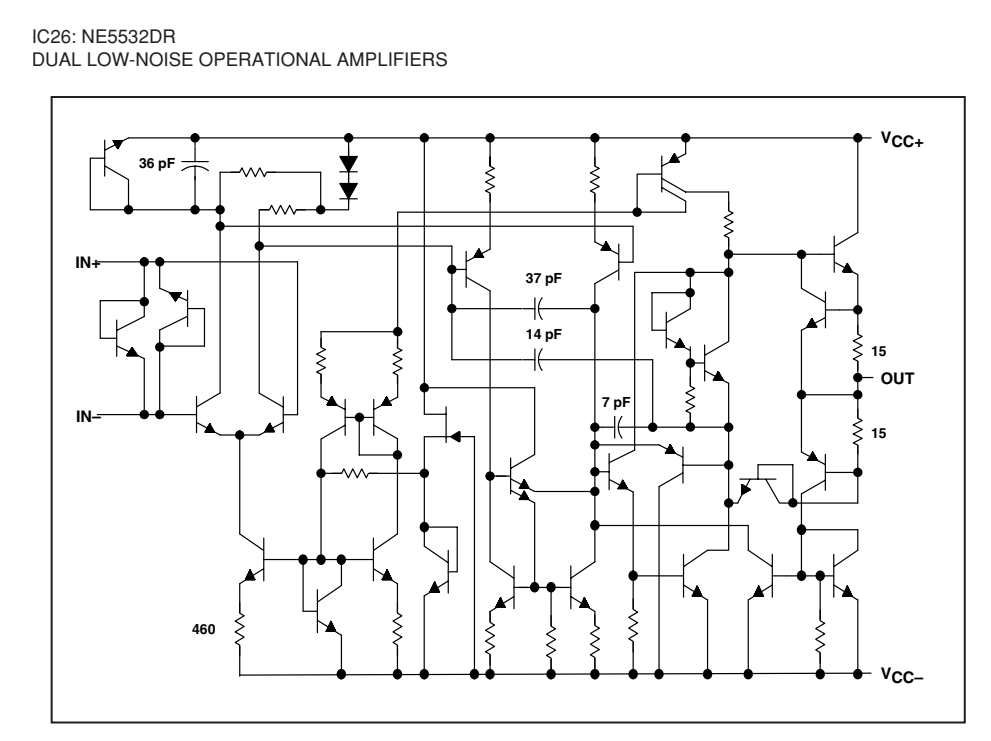
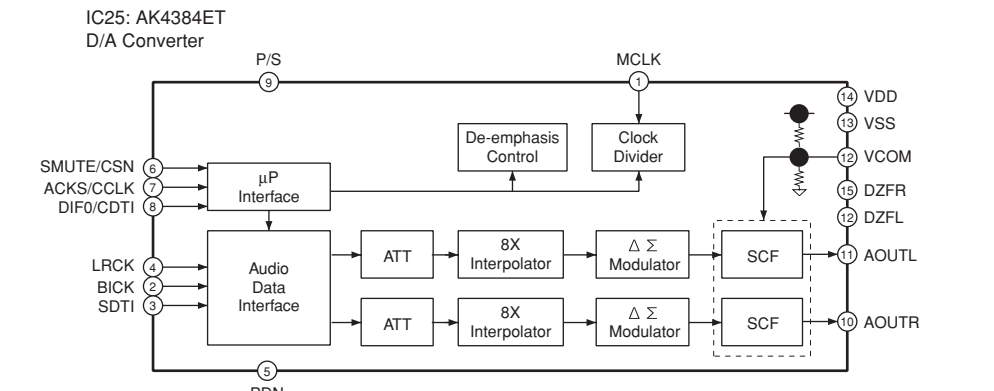


REMARKS	PARTS NAME
NO MARK	ELECTROLYTIC CAPACITOR
⊗	TANTALUM CAPACITOR
NO MARK	CERAMIC CAPACITOR
⊙	CERAMIC TUBULAR CAPACITOR
⊖	POLYESTER FILM CAPACITOR
○	POLYSTYRENE FILM CAPACITOR
⊕	MICA CAPACITOR
⊗	POLYPROPYLENE FILM CAPACITOR
⊖	SEMICONDUCTIVE CERAMIC CAPACITOR
⊙	POLYPHENYLENE SULFIDE FILM CAPACITOR

REMARKS	PARTS NAME
NO MARK	CARBON FILM RESISTOR (P=5)
⊗	CARBON FILM RESISTOR (P=10)
△	METAL OXIDE FILM RESISTOR
⊖	METAL FILM RESISTOR
⊗	METAL PLATE RESISTOR
⊖	FIRE PROOF CARBON FILM RESISTOR
⊖	CEMENT MOLDED RESISTOR
⊖	SEMI VARIABLE RESISTOR
⊖	CHIP RESISTOR

NOTICE (model)

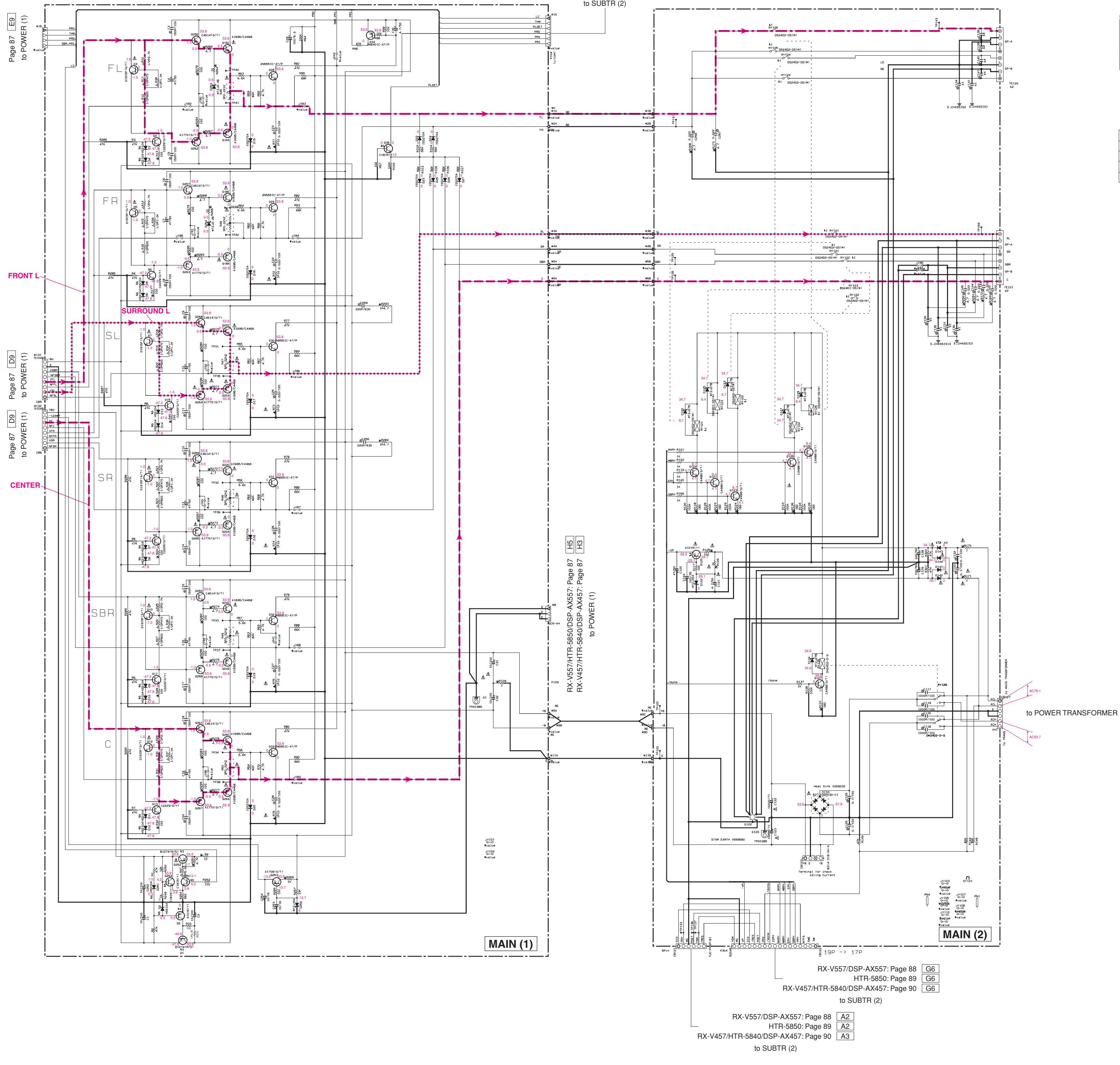
(J)..... JAPAN
 (U)..... U. S. A
 (C)..... CANADA
 (R)..... GENERAL
 (T)..... CHINA
 (K)..... KOREA
 (A)..... AUSTRALIA
 (B)..... BRITISH
 (G)..... EUROPE
 (L)..... SINGAPORE
 (E)..... SOUTH EUROPE
 (V)..... TAIWAN



★ All voltages are measured with a 10MΩ/V DC electronic volt meter.
 ★ Components having special characteristics are marked ⊕, and must be replaced with parts having specifications equal to those originally installed.
 ★ Schematic diagram is subject to change without notice.
 ★ 電圧は、内部抵抗10MΩの電圧計で測定したものです。
 ★ ⊕印のある部品は、安全性確保部品を示しています。部品の交換が必要な場合、パーツリストに記載されている部品を使用してください。
 ★ 本回路図は標準回路図です。改良のため予告なく変更することがございます。

SCHEMATIC DIAGRAM (MAIN)

RX-V557/DSP-AX557: Page 88
 HTR-5850: Page 89
 RX-V457/HTR-5840/DSP-AX457: Page 90



RESISTOR	PARTS NAME
NO MARK	CARBON FILM RESISTOR (1/4W)
□	CARBON FILM RESISTOR (1/2W)
△	METAL FILM RESISTOR
◇	METAL PLATE RESISTOR
○	FILM-PROOF CARBON FILM RESISTOR
◎	CEMENT MIXED RESISTOR
①	METAL SURFACE RESISTOR
②	CHIP RESISTOR

CAPACITOR	PARTS NAME
□	NON-POLARIZED FILM CAPACITOR
◇	TANTALUM CAPACITOR
△	ORGANIC SUBSTRATE CAPACITOR
○	POLYESTER FILM CAPACITOR
◎	POLYPROPYLENE FILM CAPACITOR
①	POLYBUTYLENE FILM CAPACITOR
②	POLYETHYLENE TEREPHTHALATE FILM CAPACITOR
③	POLYBENZENE SULFIDE FILM CAPACITOR

NOTICE (GROUP)
 (J) JAPAN
 (U) U.S.A.
 (C) CANADA
 (E) GERMANY
 (F) FRANCE
 (K) KOREA
 (A) AUSTRALIA
 (B) BRITAIN
 (S) SWITZERLAND
 (I) ITALY
 (D) DENMARK
 (N) NETHERLANDS
 (P) POLAND
 (R) SWEDEN
 (T) THAILAND

RESISTOR	MANUFACTURE	RESISTANCE	RESISTANCE TOLERANCE	RESISTOR VALUE
R1	DAIICHI DENKI	100	±1%	100Ω
R2	DAIICHI DENKI	100	±1%	100Ω
R3	DAIICHI DENKI	100	±1%	100Ω
R4	DAIICHI DENKI	100	±1%	100Ω

RESISTOR	MANUFACTURE	RESISTANCE	RESISTANCE TOLERANCE	RESISTOR VALUE
R1	DAIICHI DENKI	100	±1%	100Ω
R2	DAIICHI DENKI	100	±1%	100Ω
R3	DAIICHI DENKI	100	±1%	100Ω
R4	DAIICHI DENKI	100	±1%	100Ω

Page 87 [E9] to POWER (1)
 Page 87 [D3] to POWER (1)
 Page 87 [D3] to POWER (1)
 CENTER

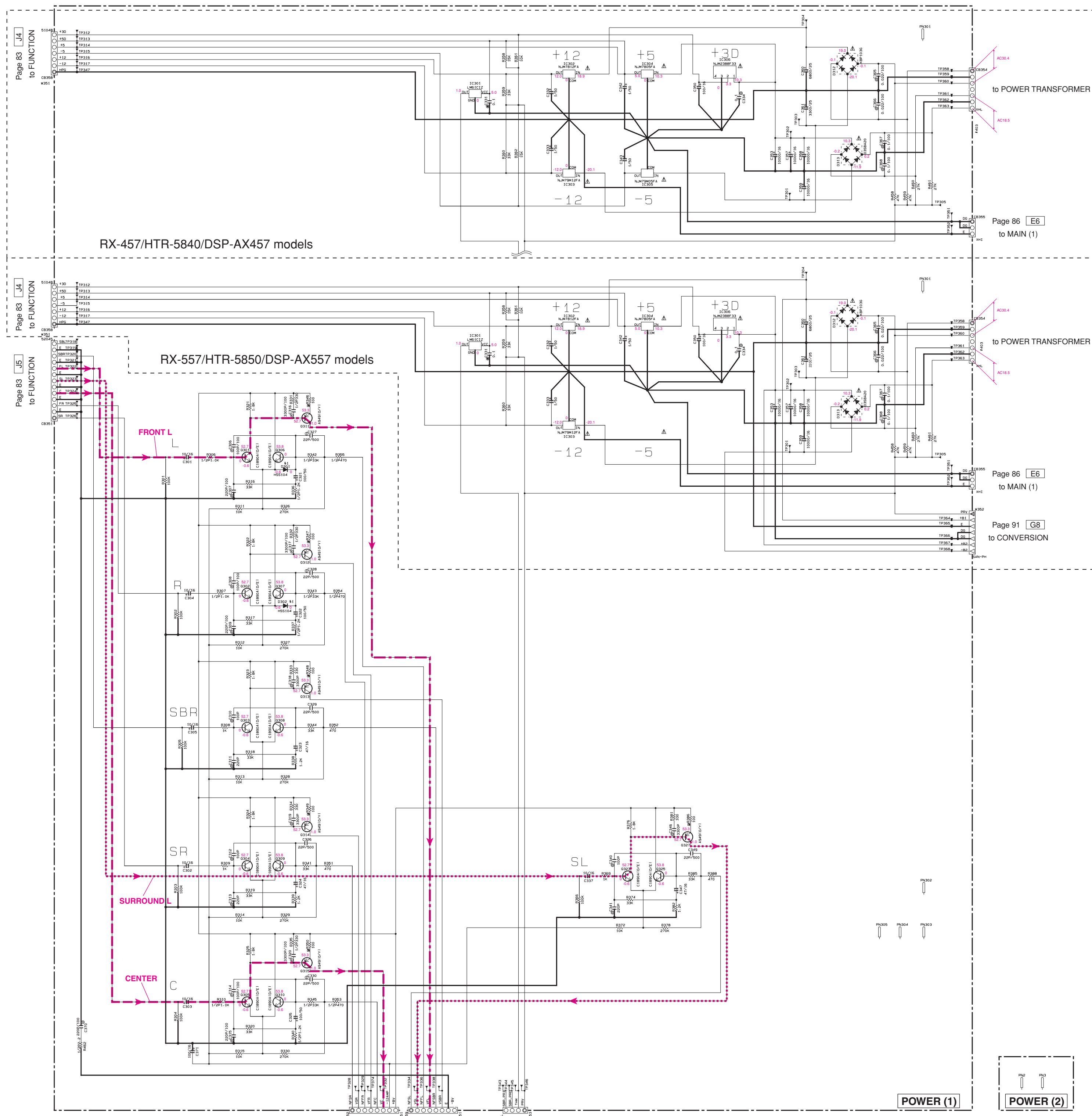
RX-V557/HTR-5850/DSP-AX557: Page 87
 RX-V457/HTR-5840/DSP-AX457: Page 87
 to POWER (1)

RX-V557/DSP-AX557: Page 88
 HTR-5850: Page 89
 RX-V457/HTR-5840/DSP-AX457: Page 90
 to SUBTR (2)
 RX-V557/DSP-AX557: Page 88
 HTR-5850: Page 89
 RX-V457/HTR-5840/DSP-AX457: Page 90
 to SUBTR (2)

* All voltages are measured with a 10MΩ/V DC electronic volt meter.
 * Components having special characteristics are marked with a triangle and must be replaced with parts having specifications equal to those originally installed.
 * Schematic diagram is subject to change without notice.

* 電圧は、内部抵抗10MΩの電圧計で測定したものです。
 * 印のある部品は、安全性確保部品を示しています。部品の交換が必要な場合、パーツリストに記載されている部品を使用してください。
 * 本回路図は標準回路図です。改良のため予告なく変更することがございます。

■ SCHEMATIC DIAGRAM (POWER)



RESISTOR

REMARKS	PARTS NAME
NO MARK	CARBON FILM RESISTOR (P=91)
□	CARBON FILM RESISTOR (P=90)
△	METAL OXIDE FILM RESISTOR
○	METAL FILM RESISTOR
◇	METAL PLATE RESISTOR
□	FINE PRINT CARBON FILM RESISTOR
◇	CEMENT WOUND RESISTOR
○	SEMI-VARIABLE RESISTOR
○	LODIP RESISTOR

Interchangeable Parts at Manufacture-Stage

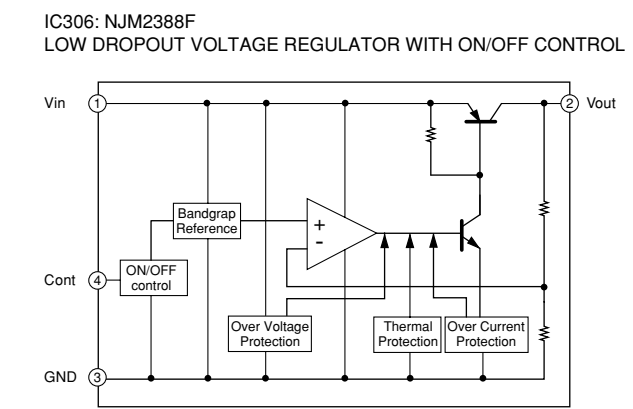
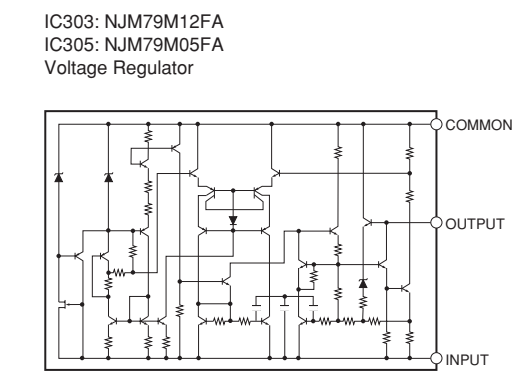
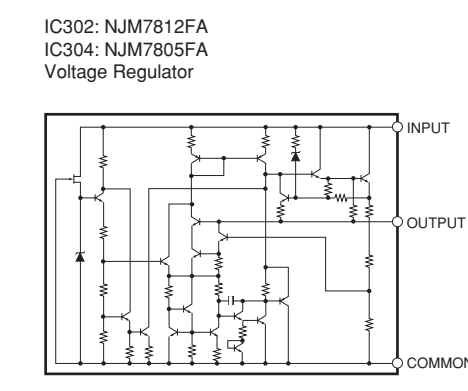
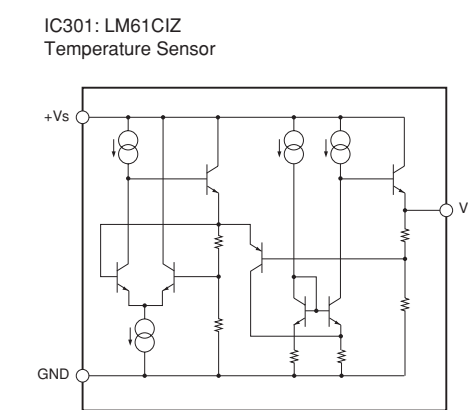
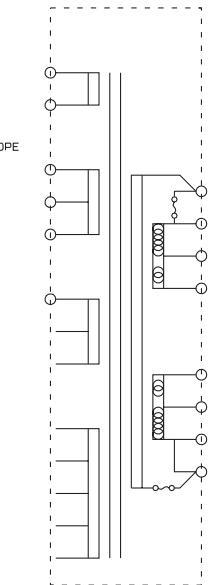
Part No.	Interchangeable Part No.	Part Name
41	40A-302	1000Ω
	1000Ω	1000Ω
	1000Ω	1000Ω

CAPACITOR

REMARKS	PARTS NAME
NO MARK	ELECTROLYTIC CAPACITOR
○	TANTALUM CAPACITOR
NO MARK	CERAMIC CAPACITOR
○	CERAMIC TUBULAR CAPACITOR
○	POLYESTER FILM CAPACITOR
○	POLYSTYRENE FILM CAPACITOR
○	POLYPROPYLENE FILM CAPACITOR
○	SEMICONDUCTIVE CERAMIC CAPACITOR
○	POLYETHYLENE SULFIDE FILM CAPACITOR

NOTICE (note1)

J..... JAPAN
 U..... U.S.A.
 C..... CANADA
 □..... GENERAL
 T..... CHINA
 K..... KOREA
 A..... AUSTRALIA
 B..... BRITAIN
 O..... EUROPE
 E..... SINGAPORE
 S..... SOUTH EUROPE
 V..... TAIWAN



Page 86 [A4] Page 86 [A4] Page 86 [A1]
 to MAIN (1) to MAIN (1) to MAIN (1)

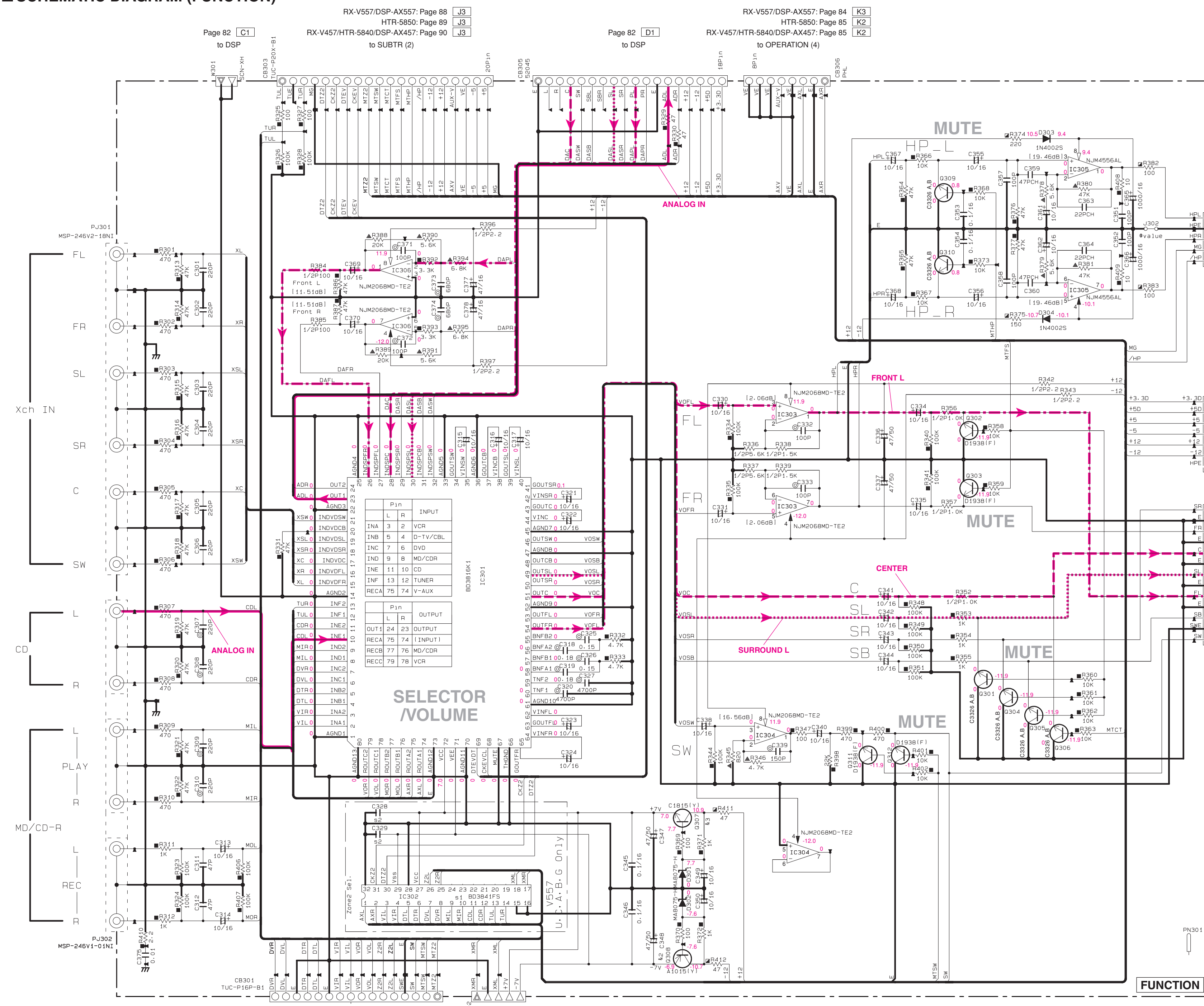
POWER (1)

POWER (2)

★ All voltages are measured with a 10MΩ/V DC electronic volt meter.
 ★ Components having special characteristics are marked .f. and must be replaced with parts having specifications equal to those originally installed.
 ★ Schematic diagram is subject to change without notice.

★ 電圧は、内部抵抗10MΩの電圧計で測定したものです。
 ★ .f.印のある部品は、安全性確保部品を示しています。部品の交換が必要な場合、パーツリストに記載されている部品を使用してください。
 ★ 本回路図は標準回路図です。改良のため予告なく変更することがございます。

SCHEMATIC DIAGRAM (FUNCTION)



RX-V557/DSP-AX557: Page 84 [G7]
 HTR-5850: Page 85 [G7]
 RX-V457/HTR-5840/DSP-AX457: Page 85 [G7]
 to OPERATION (1)

RX-V557/DSP-AX557: Page 87 [A3]
 RX-V457/HTR-5840/DSP-AX457: Page 87 [A1]
 to POWER (1)

Page 87 [A4]
 to POWER (1)

mode1	v457 HTR-5850 HTR-5840 HTR-5830	v557 DSP-AX557
Dest.	ALL	J-R-T-K-L U-C A-B-G-E
s1	IC302	X X BD3841F5 X3547A0
s2	C328-329	X X 0.1746 US13510
s3	W302	X X MF40540

Interchangeable Parts at Manufacture-Stage

Mark	Reference Parts Number	Parts Name
♠1		
♠2	0308	2SA1015(1) KTA1266
♠3	0307	2SC1815(1) KTC13198

RESISTOR

REMARKS	PARTS NAME
NO MARK	CARBON FILM RESISTOR (P=5)
⊠	CARBON FILM RESISTOR (P=10)
△	METAL OXIDE FILM RESISTOR
⊞	METAL FILM RESISTOR
⊞	METAL PLATE RESISTOR
⊞	FIRE PROOF CARBON FILM RESISTOR
⊞	CEMENT MOLDED RESISTOR
⊞	SEMI VARIABLE RESISTOR
⊞	CHIP RESISTOR

CAPACITOR

REMARKS	PARTS NAME
NO MARK	ELECTROLYTIC CAPACITOR
⊗	TANTALUM CAPACITOR
NO MARK	CERAMIC CAPACITOR
⊙	CERAMIC TUBULAR CAPACITOR
⊙	POLYESTER FILM CAPACITOR
⊙	POLYSTYRENE FILM CAPACITOR
⊙	MICA CAPACITOR
⊙	POLYPROPYLENE FILM CAPACITOR
⊙	SEMICONDUCTIVE CERAMIC CAPACITOR

NOTICE (mode1)

(J)..... JAPAN
 (U)..... U.S. A
 (C)..... CANADA
 (R)..... GENERAL
 (T)..... CHINA
 (K)..... KOREA
 (A)..... AUSTRALIA
 (B)..... BRITISH
 (G)..... EUROPE
 (L)..... SINGAPORE
 (E)..... SOUTH EUROPE
 (V)..... TAIWAN

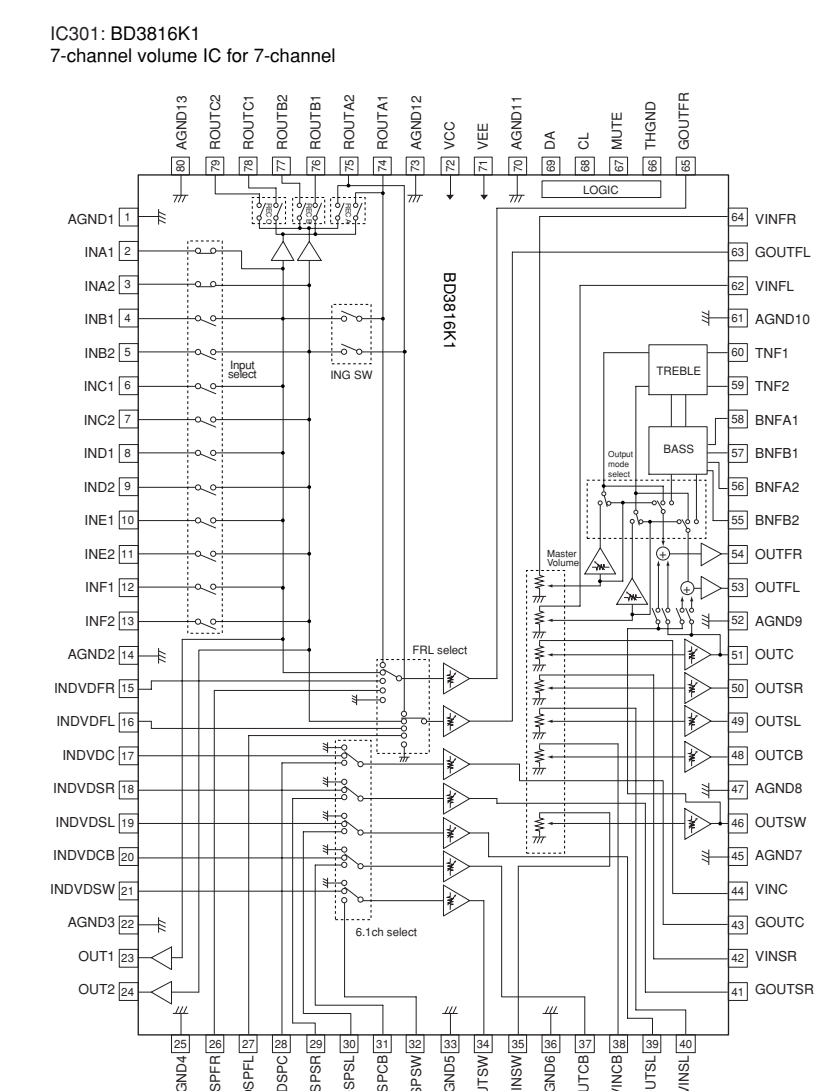
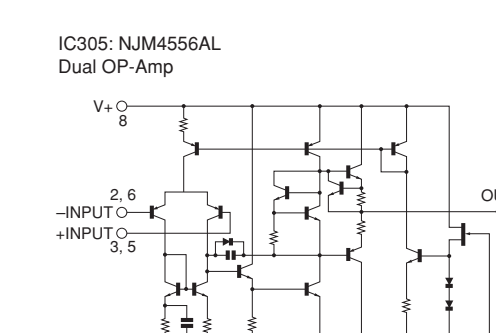
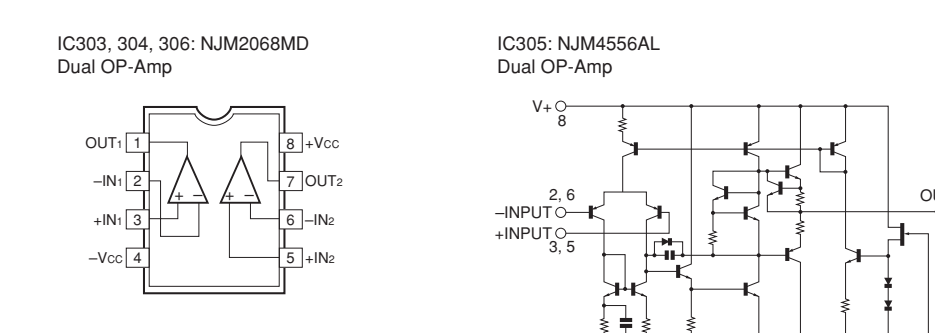
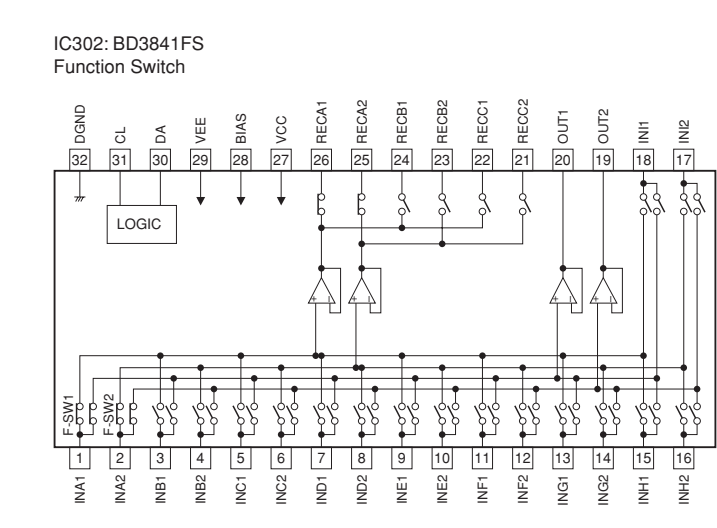
RX-V557/DSP-AX557: Page 88 [J3]
 HTR-5850: Page 89 [J3]
 RX-V457/HTR-5840/DSP-AX457: Page 90 [J3]
 to DSP
 to SUBTR (2)

Page 82 [C1]
 to DSP

Page 82 [D1]
 to DSP
 to OPERATION (4)

RX-V557/DSP-AX557: Page 88 [G8]
 HTR-5850: Page 89 [C4]
 RX-V457/HTR-5840/DSP-AX457: Page 90 [C5]
 to SUBTR (9)

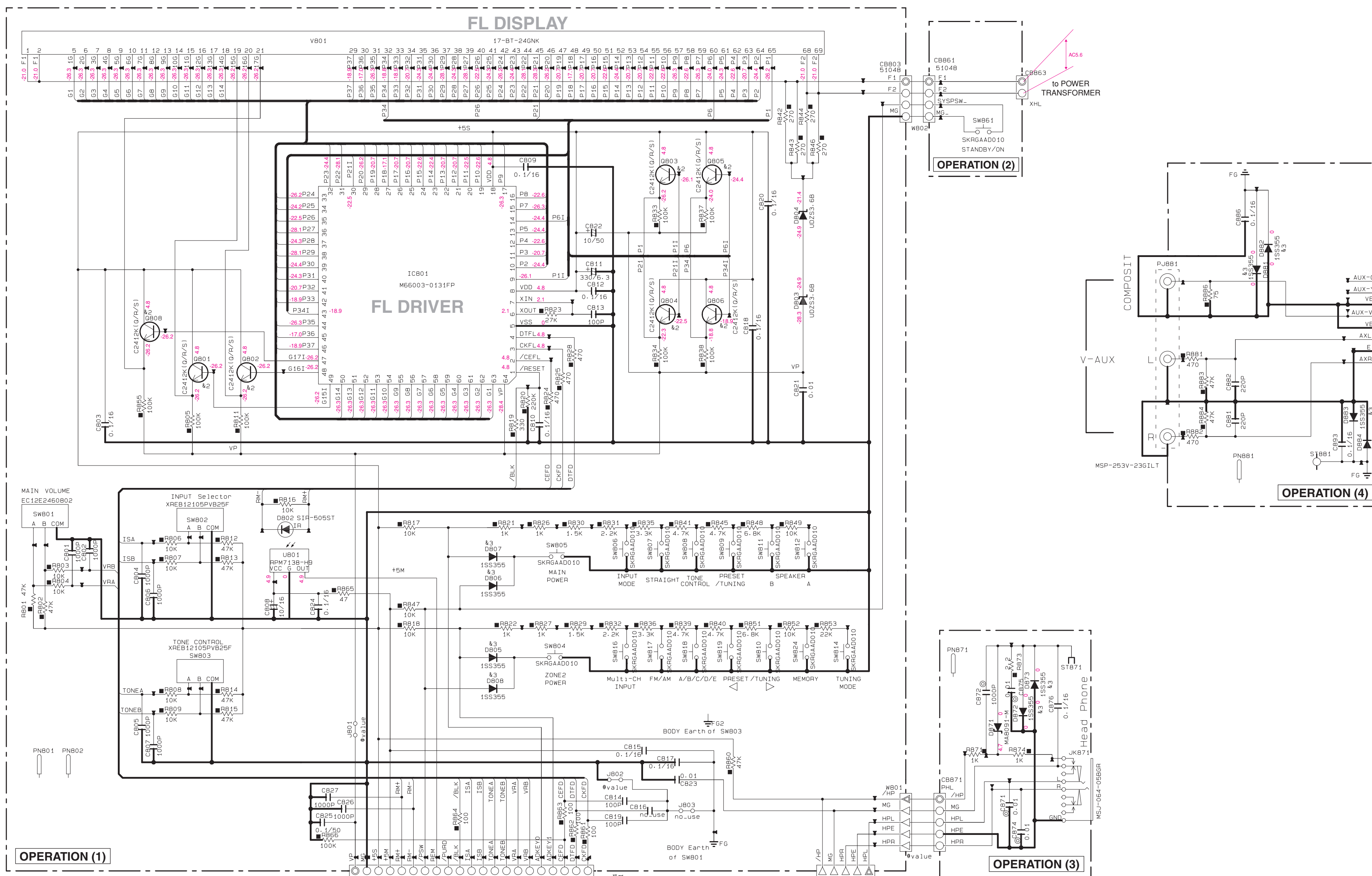
RX-V557: Page 93 [J5]
 to XM
 (U, C models)



* All voltages are measured with a 10MΩ/V DC electronic volt meter.
 * Components having special characteristics are marked ♠, and must be replaced with parts having specifications equal to those originally installed.
 * Schematic diagram is subject to change without notice.

* 電圧は、内部抵抗10MΩの電圧計で測定したものです。
 * ♠印のある部品は、安全性確保部品を示しています。部品の交換が必要な場合、パーツリストに記載されている部品を使用してください。
 * 本回路図は標準回路図です。改良のため予告なく変更することがございます。

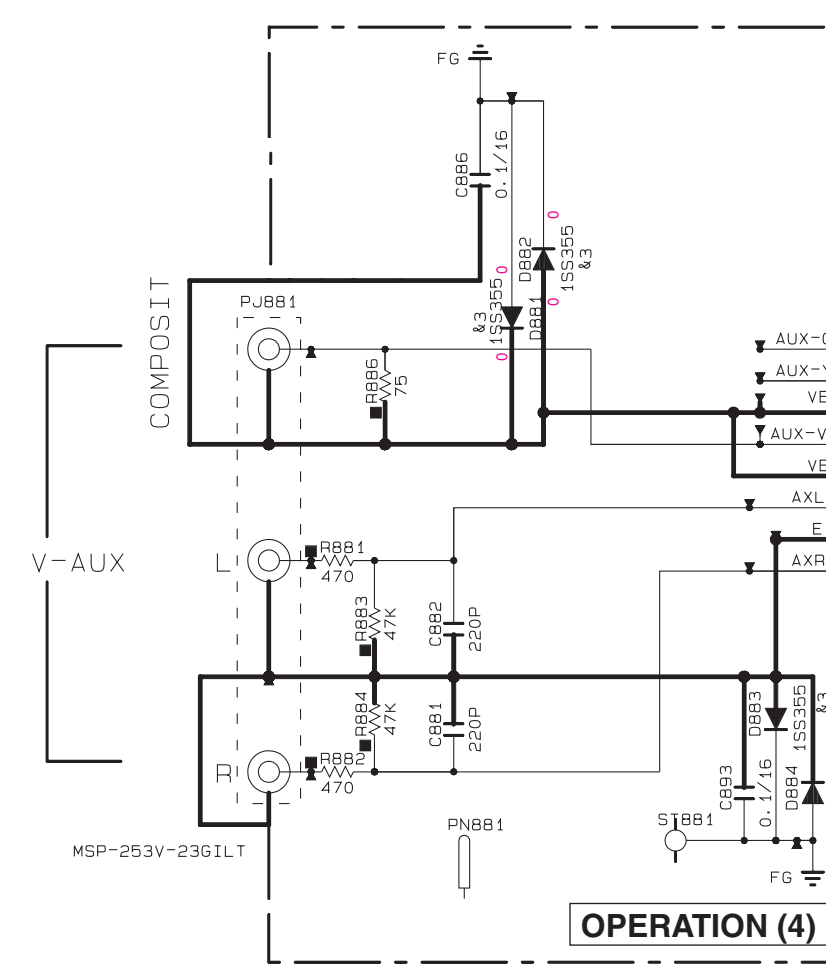
SCHEMATIC DIAGRAM (OPERATION) RX-V557/DSP-AX557



OPERATION (1)

OPERATION (2)

OPERATION (3)



OPERATION (4)

Page 88 [H9] to SUBTR (2)

Page 83 [J3] to FUNCTION

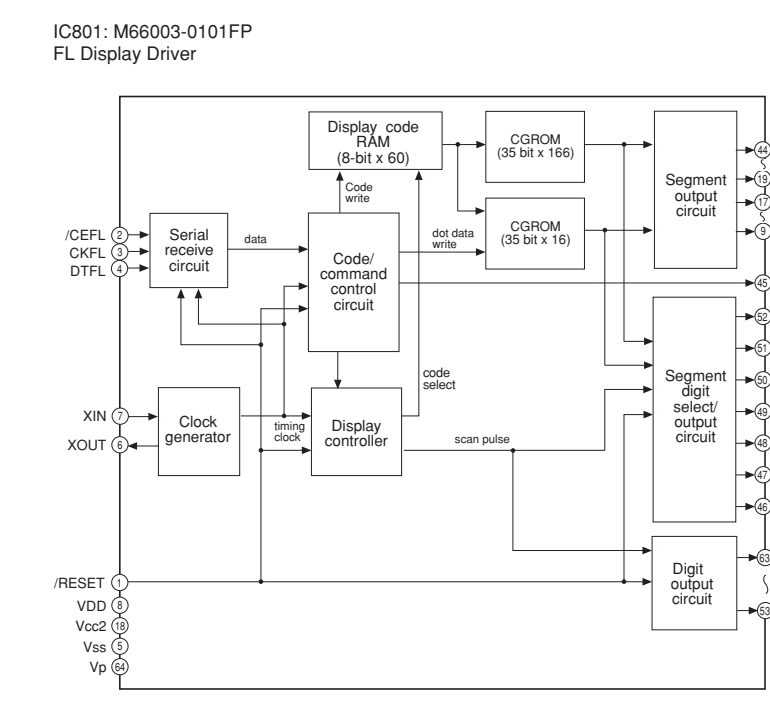
REMARKS	PARTS NAME	
NO MARK	ELECTROLYTIC CAPACITOR	⊖
⊗	TANTALUM CAPACITOR	
NO MARK	CERAMIC CAPACITOR	
⊙	CERAMIC TUBULAR CAPACITOR	
⊖	POLYESTER FILM CAPACITOR	
⊙	POLYSTYRENE FILM CAPACITOR	
⊖	MICA CAPACITOR	
⊖	POLYPROPYLENE FILM CAPACITOR	
⊖	SEMICONDUCTIVE CERAMIC CAPACITOR	
⊖	POLYPHENYLENE SULFIDE FILM CAPACITOR	

REMARKS	PARTS NAME	
NO MARK	CARBON FILM RESISTOR (P=5)	
⊖	CARBON FILM RESISTOR (P=10)	
⊖	METAL OXIDE FILM RESISTOR	
⊖	METAL FILM RESISTOR	
⊖	METAL PLATE RESISTOR	
⊖	FIRE PROOF CARBON FILM RESISTOR	
⊖	CEMENT MOLDED RESISTOR	
⊖	SEMI VARIABLE RESISTOR	
⊖	CHIP RESISTOR	

NOTICE (model)
 (J)..... JAPAN
 (U)..... U.S.A
 (C)..... CANADA
 (R)..... GENERAL
 (T)..... CHINA
 (K)..... KOREA
 (A)..... AUSTRALIA
 (B)..... BRITISH
 (G)..... EUROPE
 (L)..... SINGAPORE
 (E)..... SOUTH EUROPE
 (V)..... TAIWAN

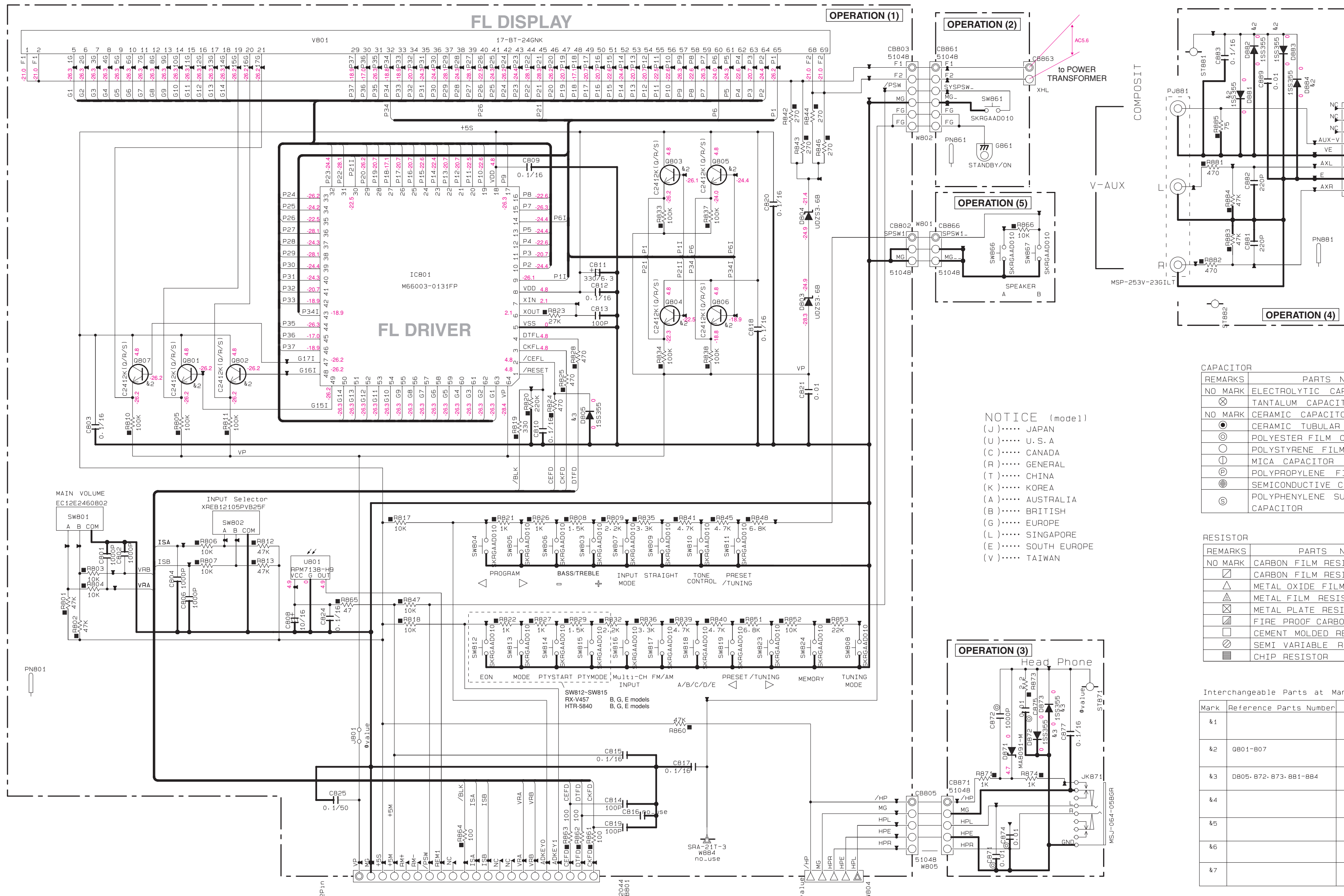
Interchangeable Parts at Manufacture-Stage

Mark	Reference Parts Number	Parts Name
k1		
k2	0801-806-808	25C2412K1G/R/S1 250601A1G/R/S1
k3	D872-873-881-884-805-808	15S355 MA111
k4		
k5		
k6		
k7		



* All voltages are measured with a 10MΩ/V DC electronic volt meter.
 * Components having special characteristics are marked ⊖ and must be replaced with parts having specifications equal to those originally installed.
 * Schematic diagram is subject to change without notice.

* 電圧は、内部抵抗10MΩの電圧計で測定したものです。
 * *印のある部品は、安全性確保部品を示しています。部品の交換が必要な場合、パーツリストに記載されている部品を使用してください。
 * 本回路図は標準回路図です。改良のため予告なく変更することがございます。



NOTICE (mode1)
 (J)..... JAPAN
 (U)..... U. S. A
 (C)..... CANADA
 (R)..... GENERAL
 (T)..... CHINA
 (K)..... KOREA
 (A)..... AUSTRALIA
 (B)..... BRITISH
 (G)..... EUROPE
 (L)..... SINGAPORE
 (E)..... SOUTH EUROPE
 (V)..... TAIWAN

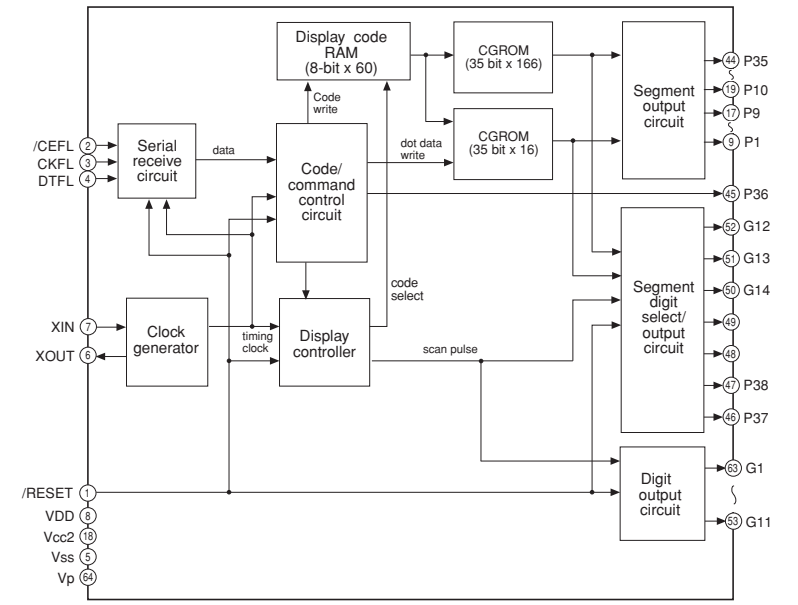
REMARKS	PARTS NAME
NO MARK	ELECTROLYTIC CAPACITOR
⊗	TANTALUM CAPACITOR
NO MARK	CERAMIC CAPACITOR
⊙	CERAMIC TUBULAR CAPACITOR
⊖	POLYESTER FILM CAPACITOR
⊕	POLYSTYRENE FILM CAPACITOR
⊖	MICA CAPACITOR
⊕	POLYPROPYLENE FILM CAPACITOR
⊖	SEMICONDUCTIVE CERAMIC CAPACITOR
⊕	POLYPHENYLENE SULFIDE FILM CAPACITOR

REMARKS	PARTS NAME
NO MARK	CARBON FILM RESISTOR (P=5)
⊗	CARBON FILM RESISTOR (P=10)
⊕	METAL OXIDE FILM RESISTOR
⊖	METAL FILM RESISTOR
⊕	METAL PLATE RESISTOR
⊖	FIRE PROOF CARBON FILM RESISTOR
⊕	CEMENT MOLDED RESISTOR
⊖	SEMI VARIABLE RESISTOR
⊕	CHIP RESISTOR

Interchangeable Parts at Manufacture-Stage

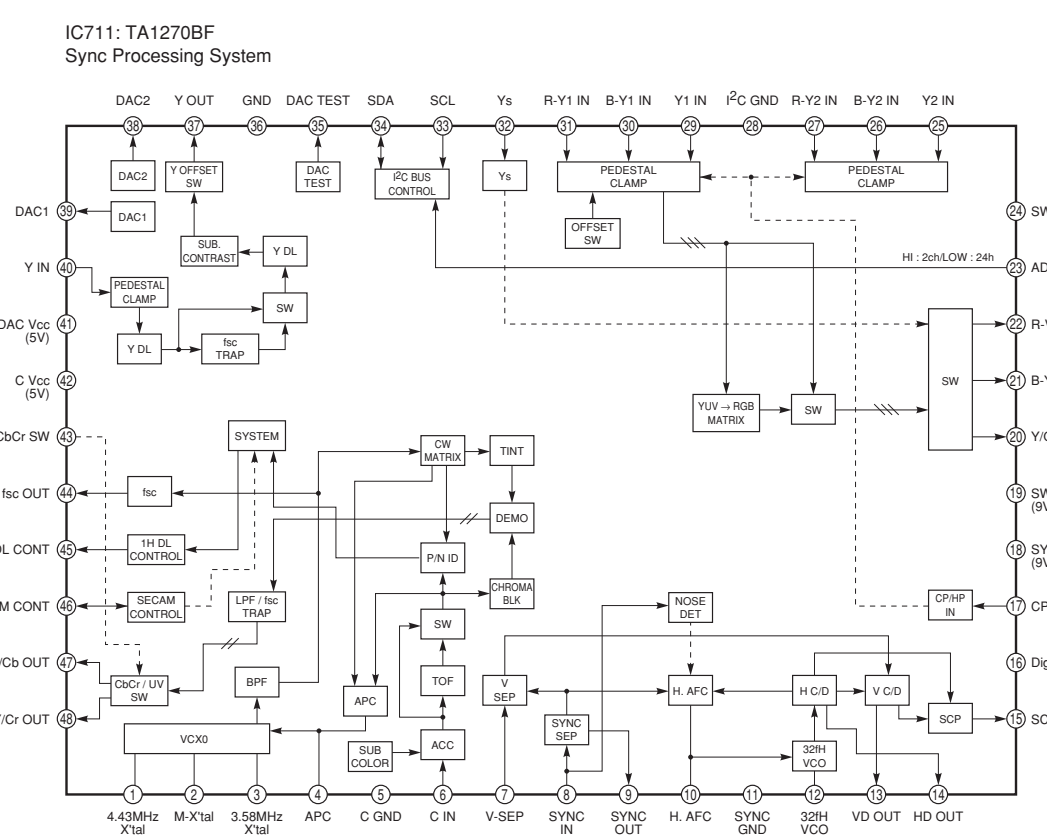
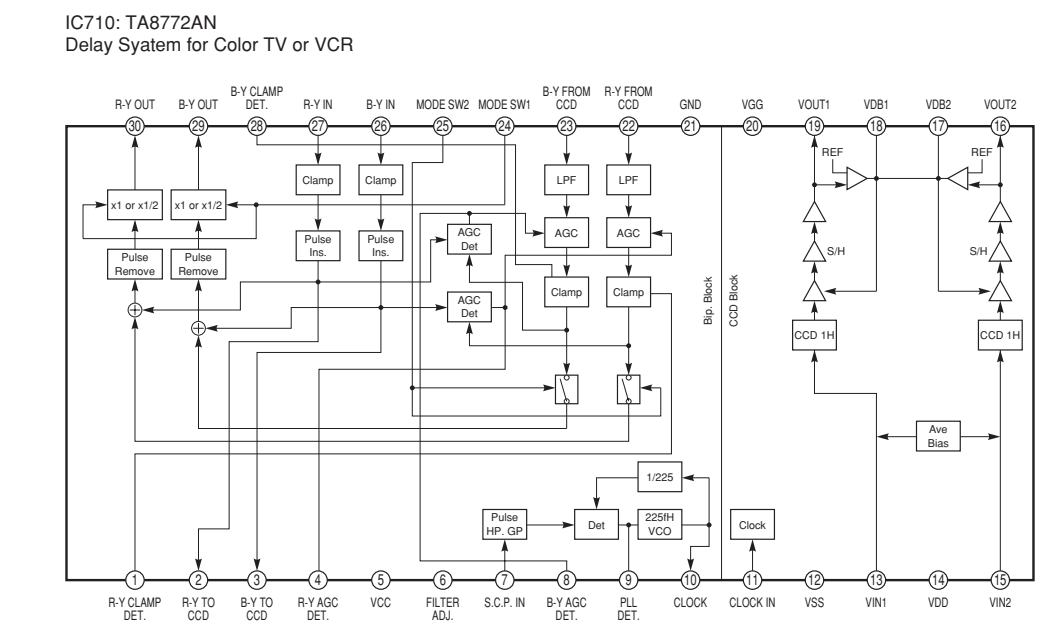
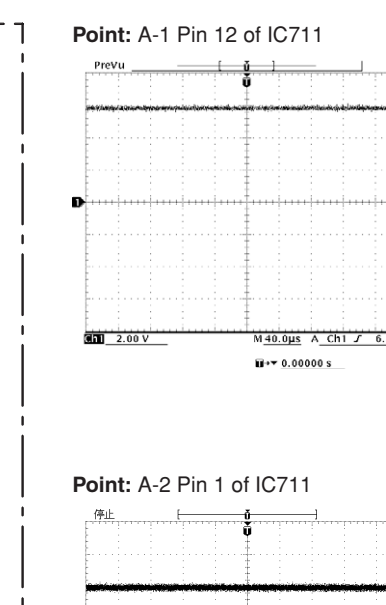
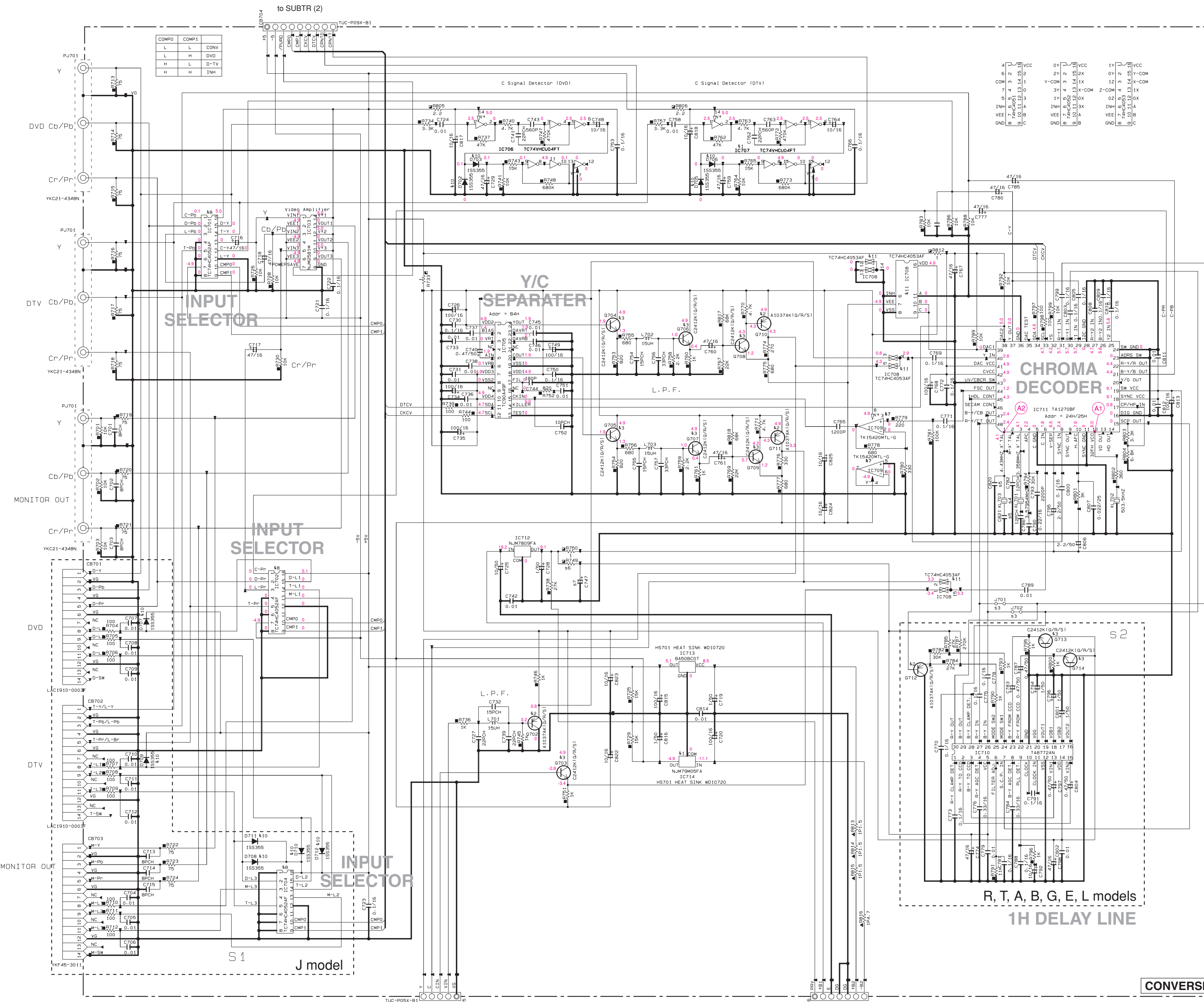
Mark	Reference Parts Number	Parts Name
&1		
&2	DB01-807	25C2412K1Q/R/S1
&3	DB05-872-873-881-884	1SS355
&4		NA1111
&5		
&6		
&7		

IC801: M66003-0101FP
FL Display Driver



* All voltages are measured with a 10MΩ/V DC electronic volt meter.
 * 電圧は、内部抵抗10MΩの電圧計で測定したものです。
 * !印のある部品は、安全性確保部品を示しています。部品の交換が必要な場合、パーツリストに記載されている部品を使用してください。
 * 本回路図は標準回路図です。改良のため予告なく変更することがございます。

RX-V557/DSP-AX557: Page 88 [H3]
HTR-5850: Page 89 [H3]
to SUBTR (2)

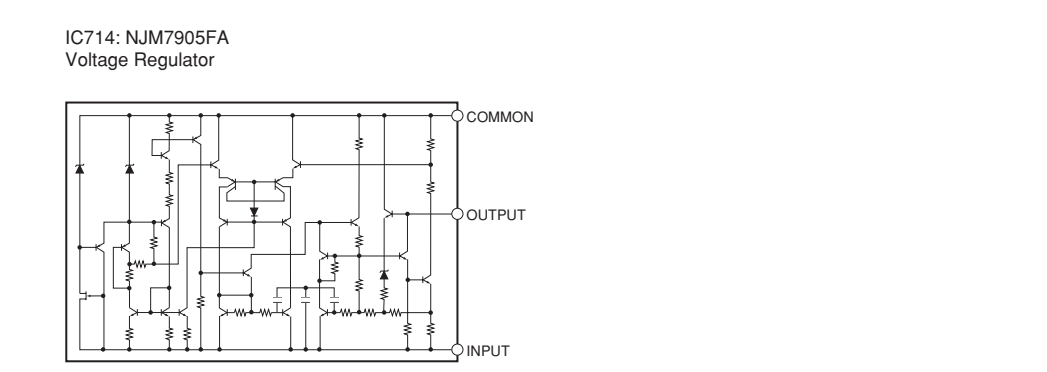
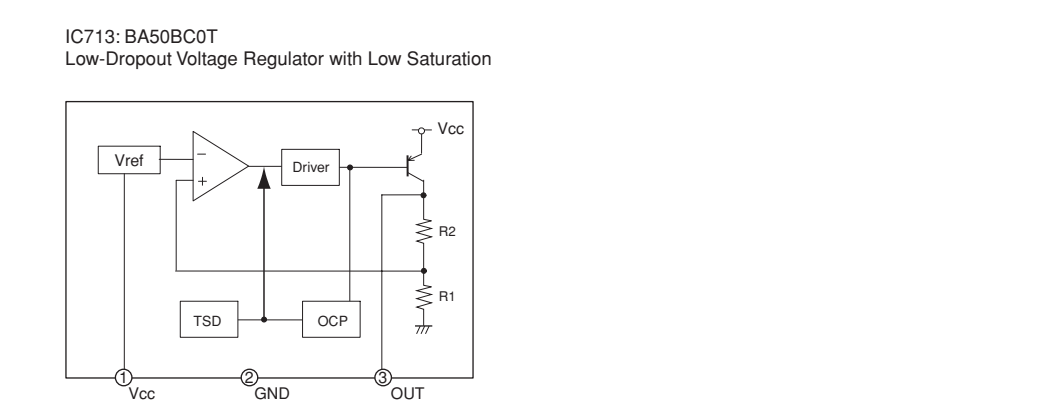
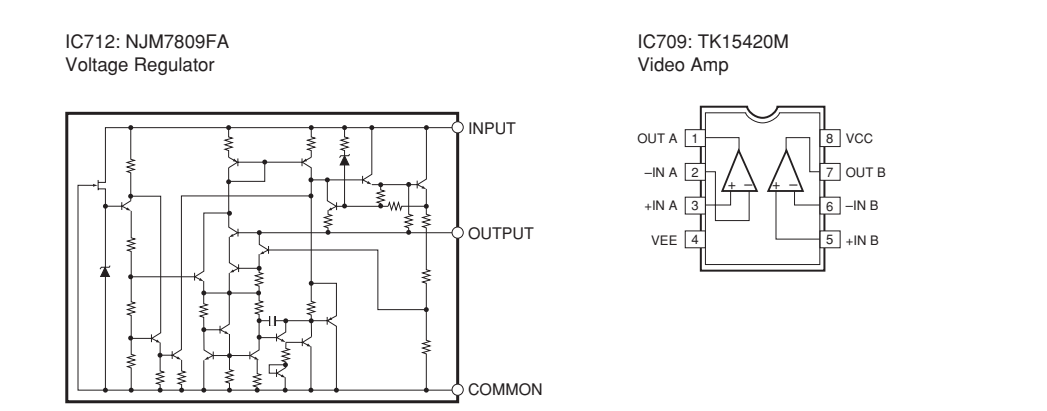


IC	J	U-C-K	R	T	A	B	G	E	L	Model
51	D	X		X						D4
52	X	X								O
53	J701-702									X
54	XL703	X	X							4.43361MHz M879000 L300V US05112
55	R749	X	X							I HV75310
57	C747	X	X							UR63747

Interchangeable Parts at Manufacture-Stage

Part No.	Reference Part Number	Parts Name
41	IC714	NJM7905FA AN7905F
42	Q702-710-711-712	2SA1037AK(G/R/S) 2SA1235A1E(F/I)
43	Q703-709-713-714	2SC2424K(G/R/S) 2SD6114(G/R/S)
44		
45	IC713	NJM7905FA AN7905F
46		
47	IC709	TK15420M AD8956AR
48	IC701-702-704	TC74HC4052AF HW74HC4052JX
49		
410	Q702-703-705-706-707-712	1S5355 M4111
411	IC708	TC74HC4053AF HW74HC4053JX
412		

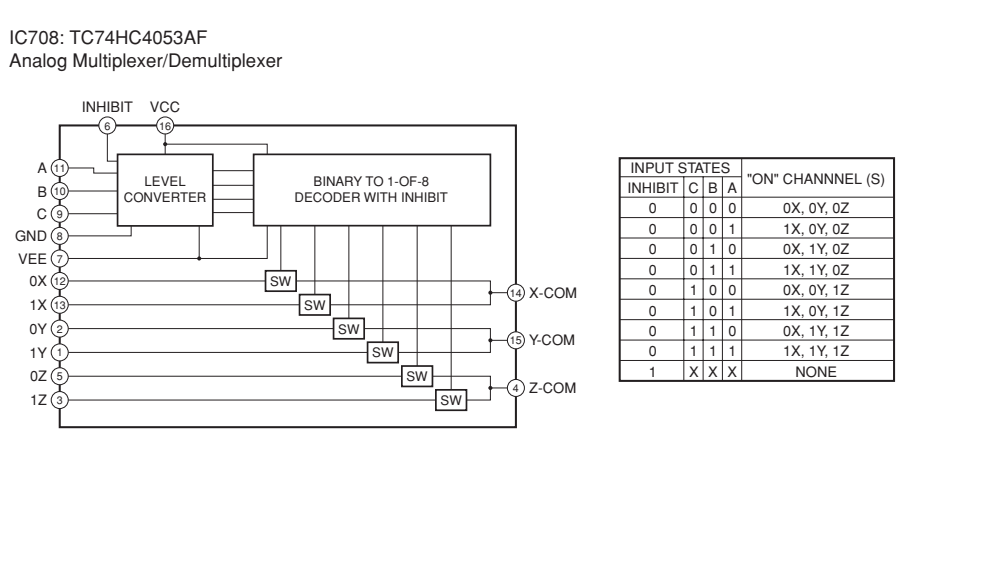
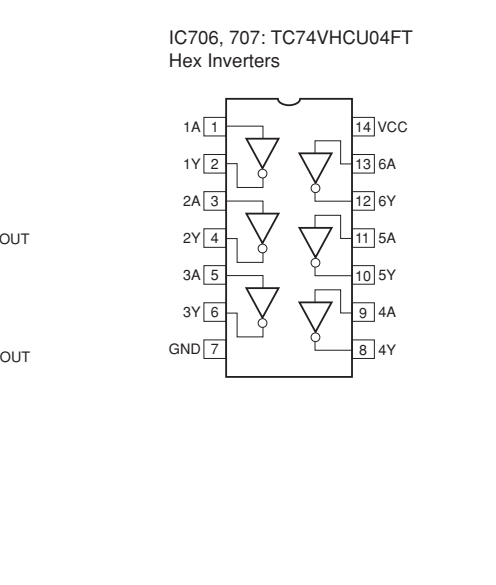
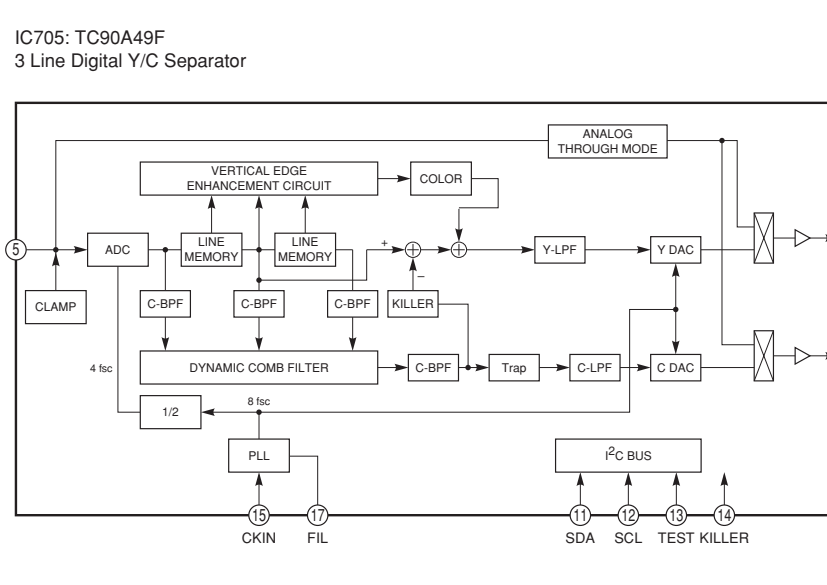
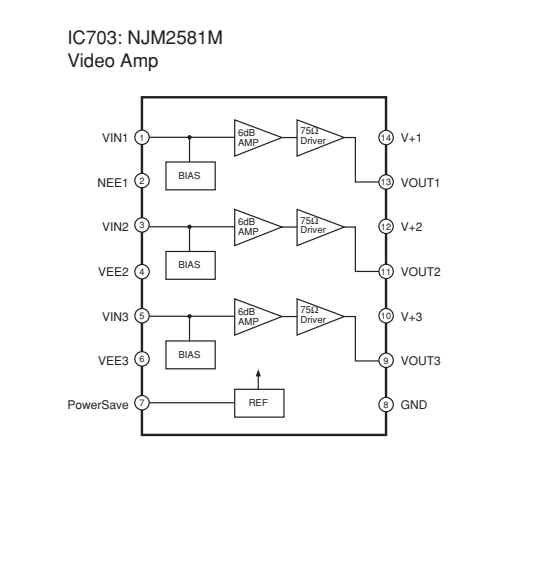
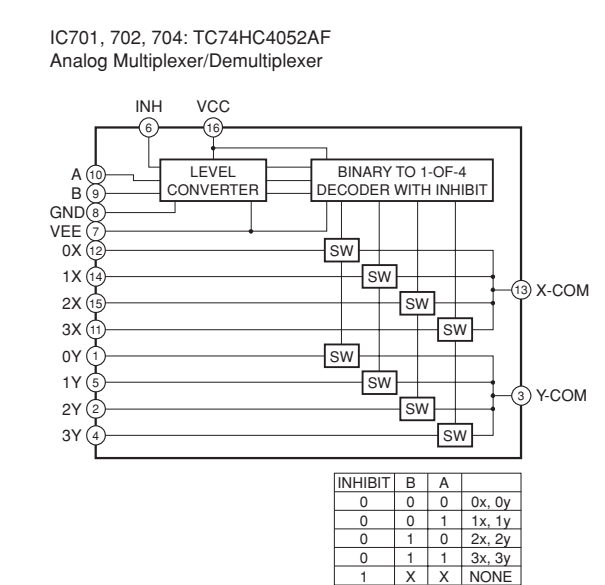
Implementation
Component video
Video Conversion/VC Separate & Chroma Decoder



CAPACITOR		RESISTOR	
REMARKS	PARTS NAME	REMARKS	PARTS NAME
NO MARK	ELECTROLYTIC CAPACITOR	NO MARK	CARBON FILM RESISTOR (P=5)
⊗	TANTALUM CAPACITOR	△	CARBON FILM RESISTOR (P=10)
NO MARK	CERAMIC CAPACITOR	□	METAL OXIDE FILM RESISTOR
⊙	CERAMIC TUBULAR CAPACITOR	▢	METAL FILM RESISTOR
⊕	POLYESTER FILM CAPACITOR	⊠	METAL PLATE RESISTOR
⊖	POLYSTYRENE FILM CAPACITOR	⊡	FIBRE DRIPOF CARBON FILM RESISTOR
⊗	MICA CAPACITOR	⊞	SEMI VARIABLE RESISTOR
⊘	POLYPROPYLENE FILM CAPACITOR	⊚	CHTP RESISTOR

NOTICE (mode1)
(J)..... JAPAN
(U)..... U.S.A.
(C)..... CANADA
(R)..... GENERAL
(T)..... CHINA
(K)..... KOREA
(A)..... AUSTRALIA
(B)..... BRITISH
(E)..... EUROPE
(L)..... SINGAPORE
(S)..... SOUTH EUROPE
(V)..... TAIWAN

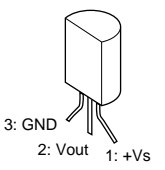
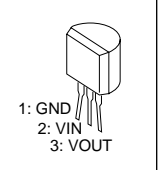
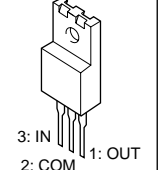
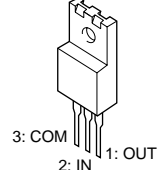
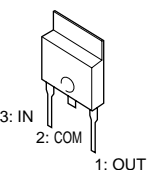
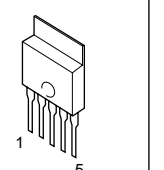
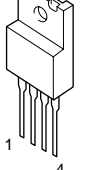
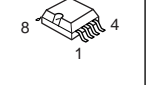
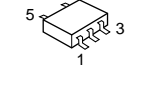
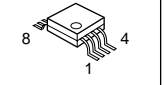
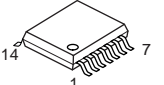

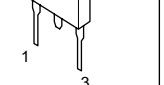
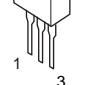
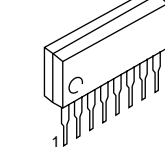
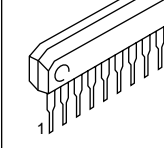
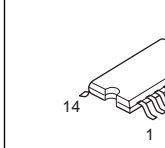
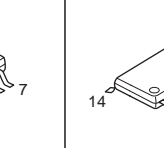
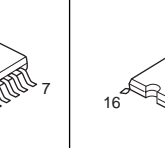
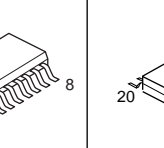
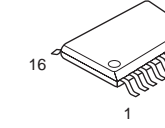
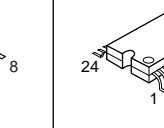
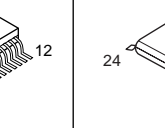
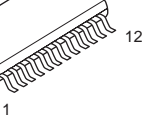
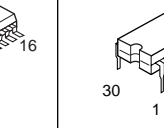
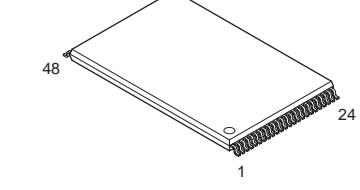
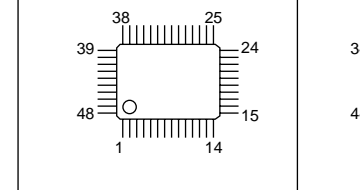
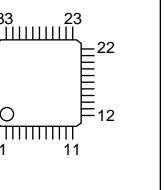
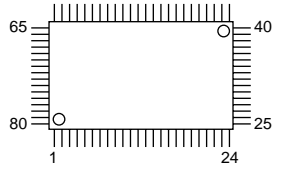
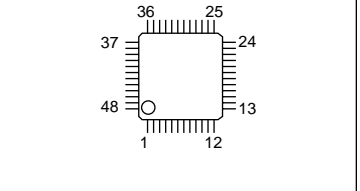
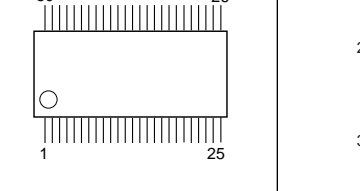
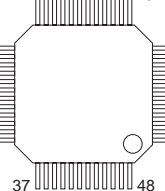
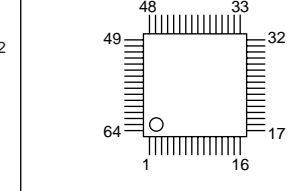
- ★ All voltages are measured with a 10MΩ/2V DC electronic volt meter.
- ★ Components having special characteristics are marked ! and must be replaced with parts having specifications equal to those originally installed.
- ★ Schematic diagram is subject to change without notice.
- ★ 電圧は、内部抵抗10MΩの電圧計で測定したものです。
- ★ !印のある部品は、安全性確保部品を示しています。部品の交換が必要な場合、パーツリストに記載されている部品を使用してください。
- ★ 本回路図は標準回路図です。改良のため予告なく変更することがあります。



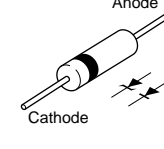
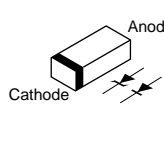
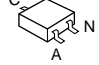
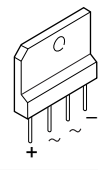
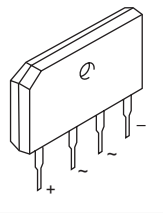
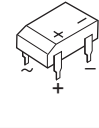
INPUT STATES	INHIBIT	C	B	A	"ON" CHANNEL (S)
0	0	0	0	0	0X 0Y 0Z
0	0	0	1	1	0X 1Y 0Z
0	0	1	0	1	1X 0Y 1Z
0	0	1	1	1	1X 0Y 1Z
0	1	0	0	0	0X 1Y 0Z
0	1	0	0	1	1X 1Y 0Z
0	1	0	1	1	1X 1Y 1Z
0	1	1	0	0	0X 1Y 0Z
0	1	1	0	1	1X 1Y 0Z
0	1	1	1	1	1X 1Y 1Z
1	X	X	X	X	NONE

■ PIN CONNECTION DIAGRAM

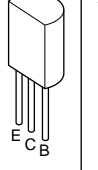
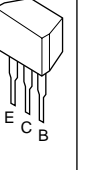
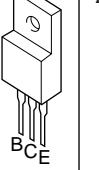
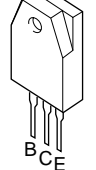
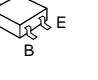
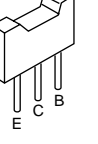
• ICs

LM61CIZ  3: GND 2: Vout 1: +Vs	NJU7201L55  1: GND 2: VIN 3: VOUT	NJM7805FA NJM7809FA NJM7812FA  3: IN 2: COM 1: OUT	NJM79M05FA NJM79M12FA  3: COM 2: IN 1: OUT	μPC29M33T-E1  3: IN 2: COM 1: OUT	PQ012FZ01ZP  1 5	NJM2388F  1 4
NE5532DR  8 4 1	SN74AHC1G08DCKR SN74AHC1G32DCKR  5 4 3 1	NJM2068MD TK15420M  8 4 1	NJM2581M SN74AHCT00PWR SN74AHCT08PWR SN74LV157APWR SN74LVU04APWR  14 7 1	PQ05RD11  1 4	NJM78M05DL1A  1 3	BA50BC0T  1 3
NJM4556AL  1 8	LA7956  1 9	TC74HCU04AFEL TC4013BP  14 7 1	TC74VHCU04FT  14 7 1	TC74HC4052AF TC74HC4053AF  16 8 1	SN74LV245APWR  20 10 1	
AK4384ET  16 8 1	TC90A49F  24 12 1	LC72722PM  24 12 1	BD3841FS  32 17 16 1	TA8772AN  30 15 1		
MBM29LV400BC-70PFT  48 24 1	TA1270BF  38 25 24 39 48 15 14 1	AK4628VQ  33 23 22 34 44 12 11 1	BD3816K1  64 41 40 65 80 25 24 1			
XMDT  36 25 24 37 48 13 12 1	W9816G6CH  50 26 25 1	LC89057W-VF4D-E  24 13 12 25 36 1 48 37 1	M66003-0131FP  48 33 32 49 64 17 16 1			

• Diodes

1N4002S 1SS133 1SS270A 1T2  Anode Cathode	MTZJ15A MTZJ2.4B MTZJ27A MTZJ30A  Anode Cathode	1SS355 MA8030-L MA8051-M MA8056-M MA8068-H MA8075-H MA8091-M MA8100-M RB500V-40 UDZ3.6BTE-17	SB01-05Q  C N A
TS6P03G  +	D3SBA20 KBP103G  +	S1NB20 S1NB60  +	

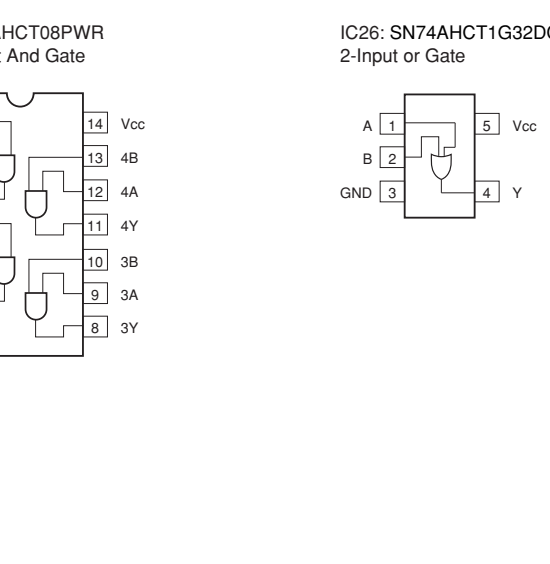
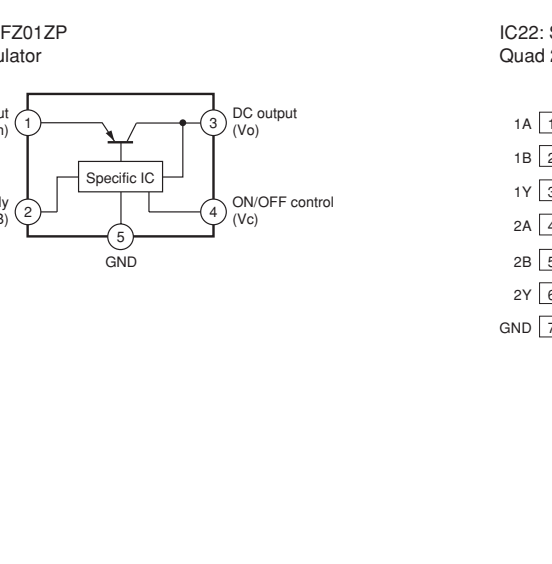
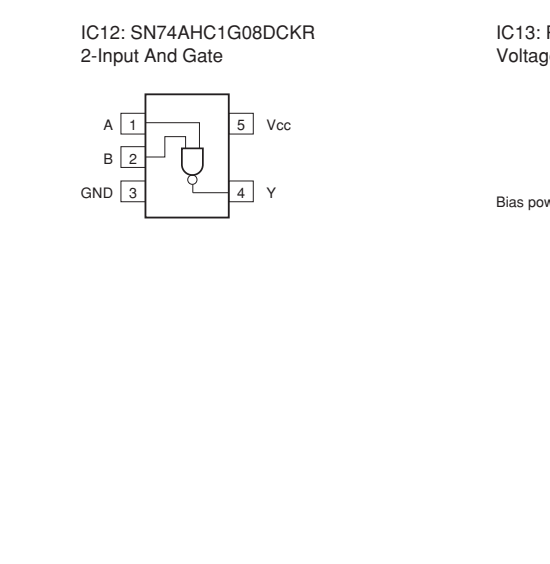
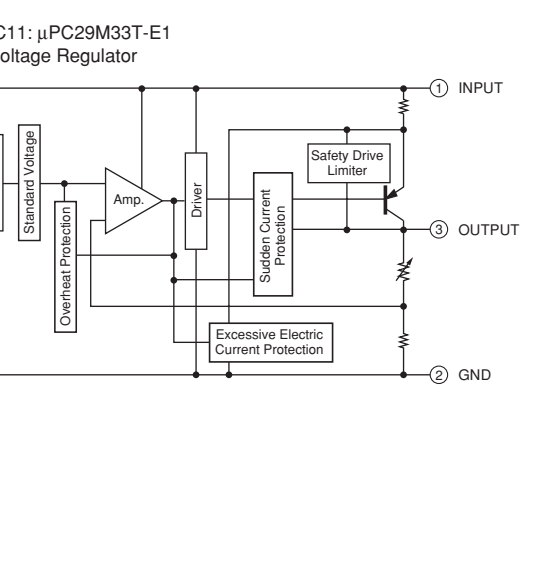
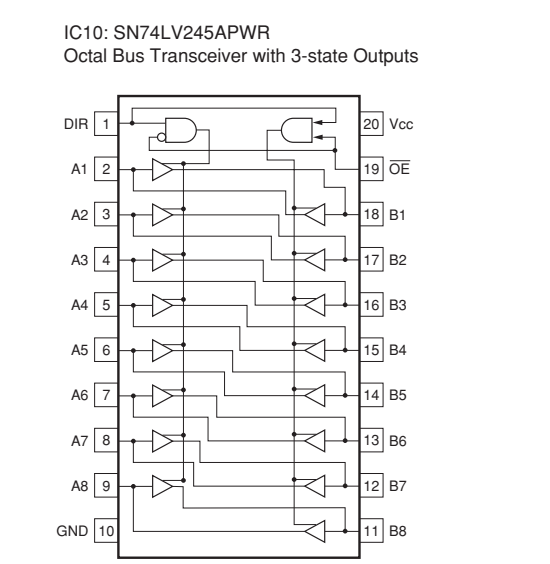
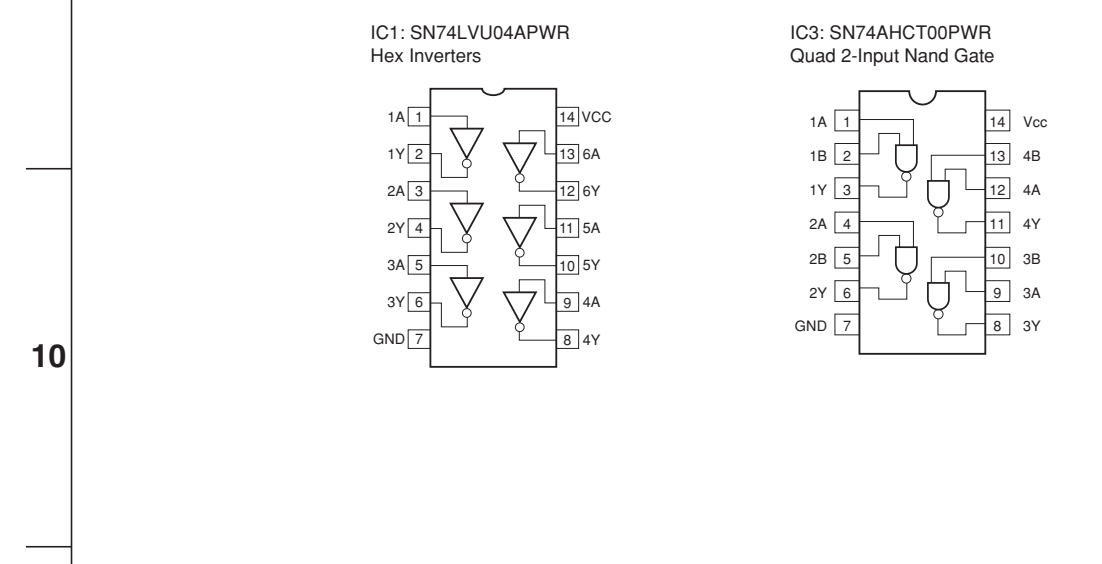
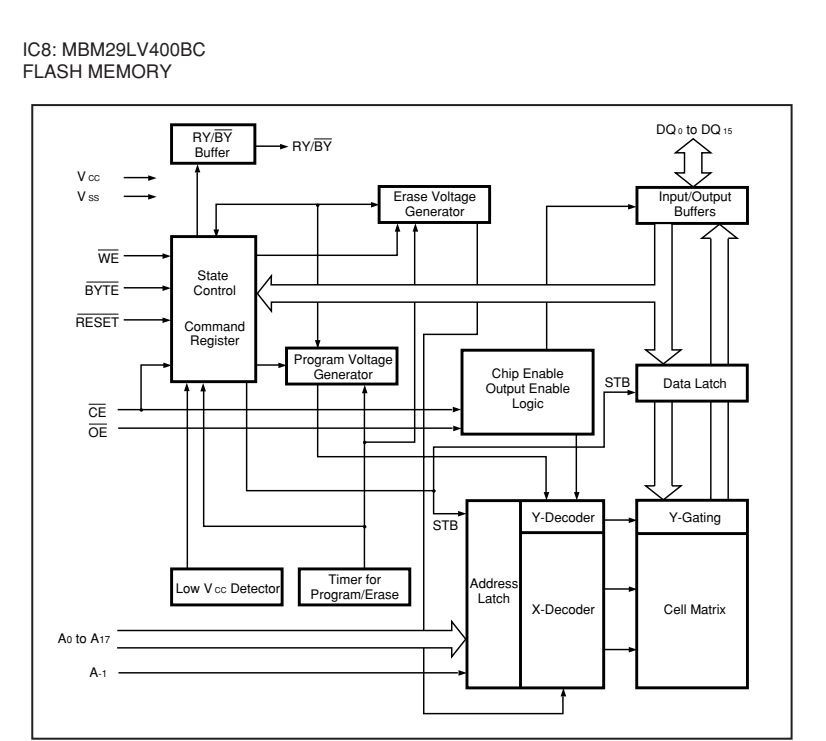
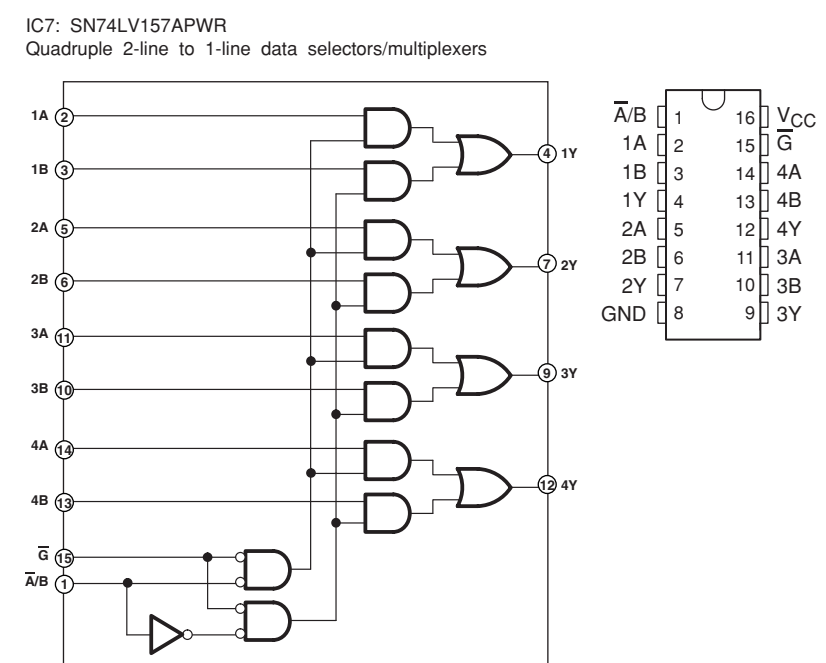
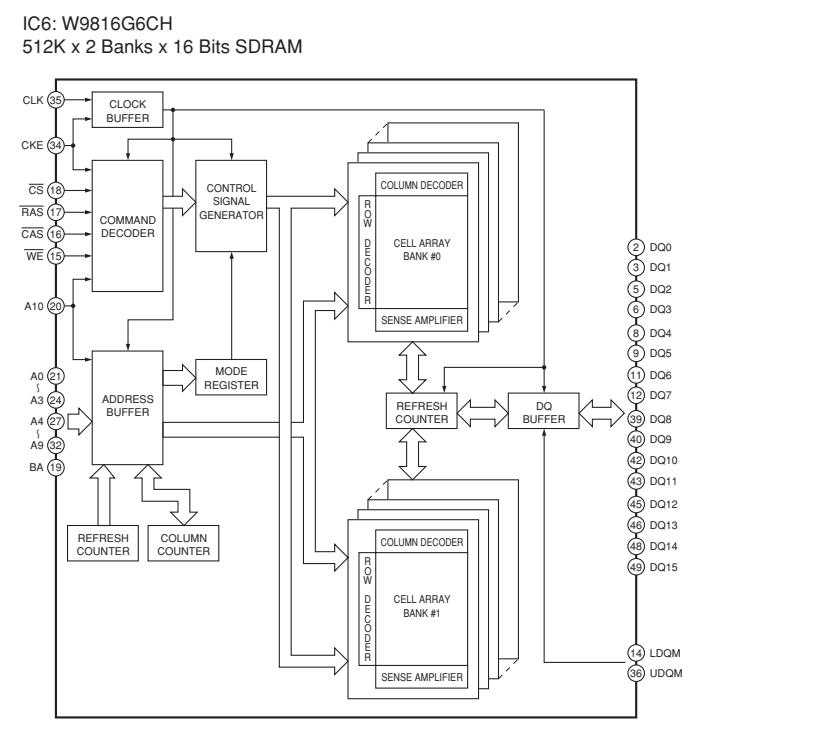
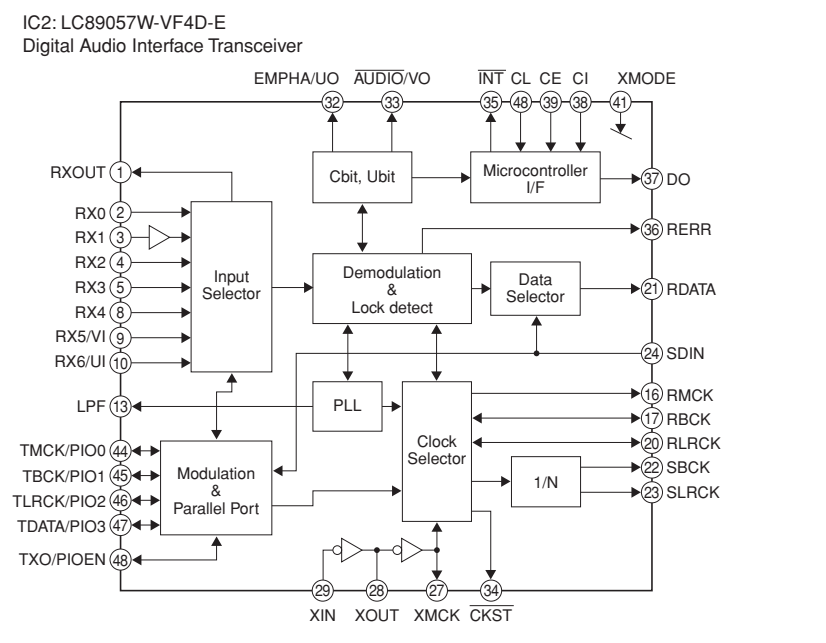
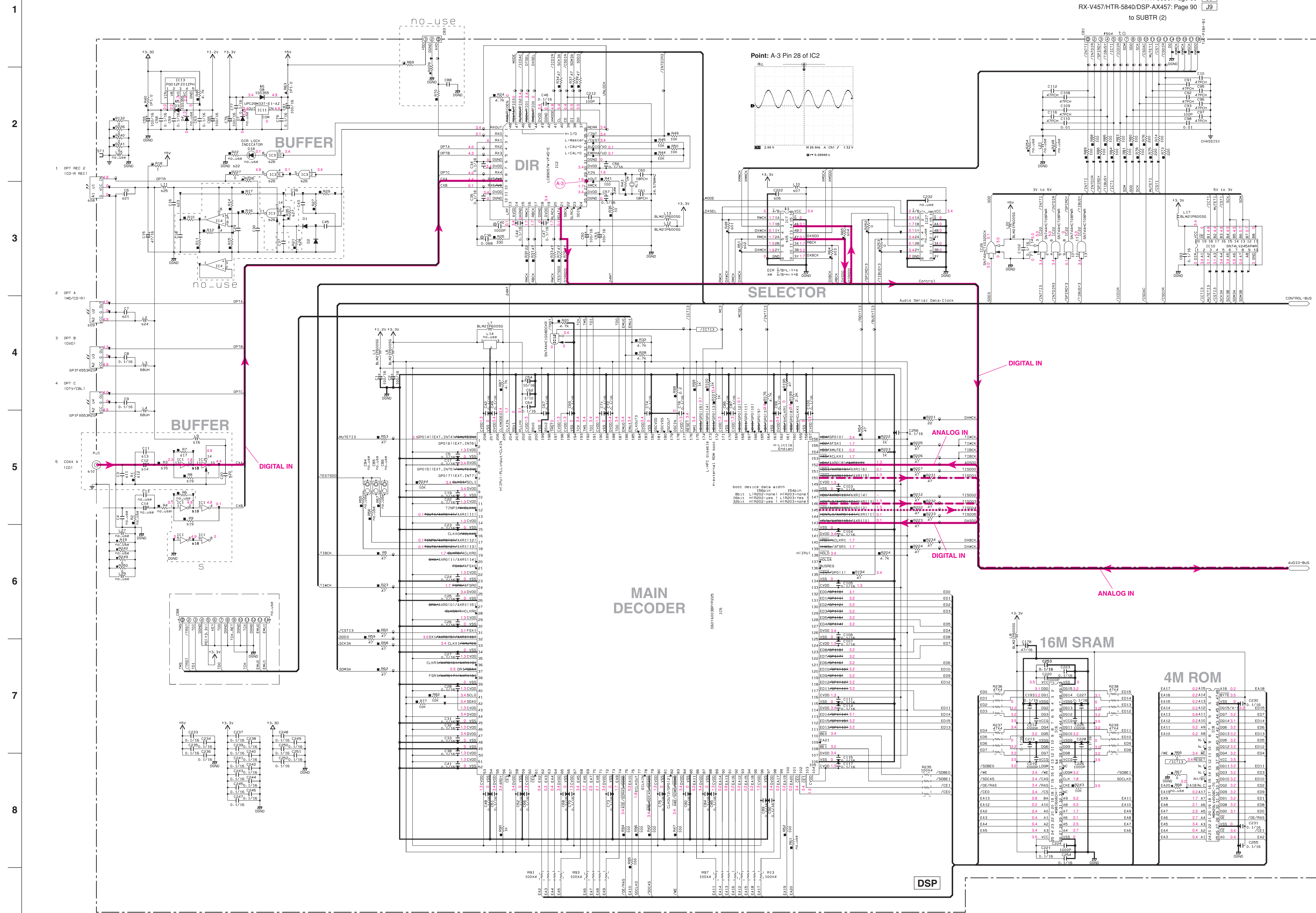
• Transistors

2SA1015 2SA949 2SC1815 2SC1890A 2SC2229 2SC2240 2SC535 2SA2N5401C 2SC2N5551C  E C B	2SC1740S 2SD1915F  E C B	2SB1274  B C E	2SA1695 2SC4468  B C E
2SA1037K 2SC2412K 2SD1938F DTC144EKA  C E B	2SA1708 2SA1770 2SC4488 2SC4614  E C B		

SCHEMATIC DIAGRAM (DSP 1/2)

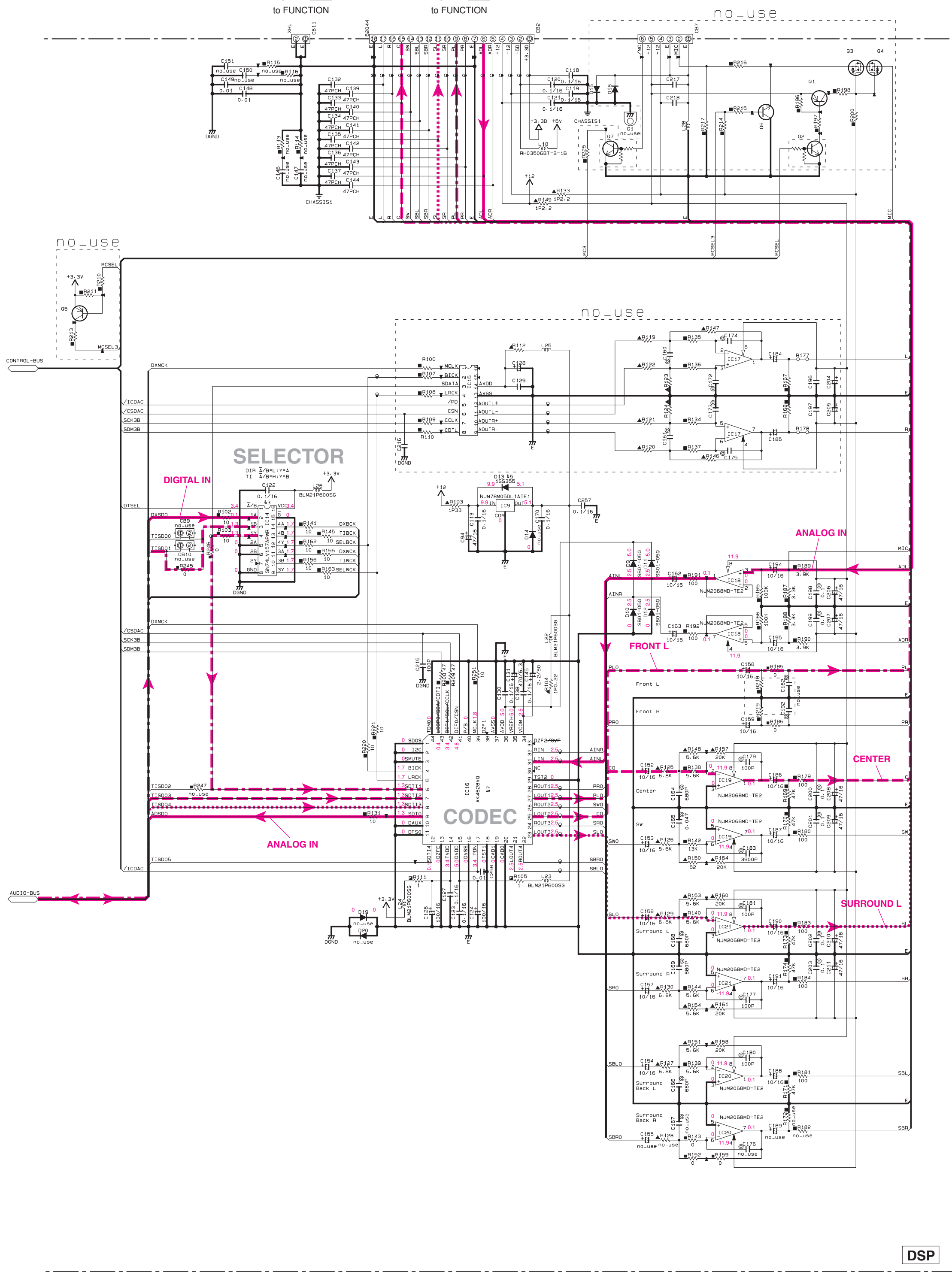
RX-V557/DSP-AX557: Page 88
 HTR-5850: Page 89
 RX-V457/HTR-5840/DSP-AX457: Page 90

RX-V557/HTR-5850/DSP-AX557/RX-V457/HTR-5840/DSP-AX457



All voltages are measured with a 10MΩ/V DC electronic volt meter.
 Components having special characteristics are marked with * and must be replaced with parts having specifications equal to those originally installed.
 Schematic diagram is subject to change without notice.

電圧は、内部抵抗10MΩの電圧計で測定したものです。
 *印のある部品は、安全性確保部品を示しています。部品の交換が必要な場合、パーツリストに記載されている部品を使用してください。
 本回路図は標準回路図です。改良のため予告なく変更することがございます。



Destination Part List	RX-V557/HTR-5850/DSP-AX557		RX-V457/HTR-5840/DSP-AX457	
xxx	LOC	U.C.	R.T.K.A.B.G.E.L.	J.R.T.K.A.B.G.E.L.
81	R48	RD35000	X	RD35000
82	R51	RD35000	X	RD35000
83	R64	RD35000	X	RD35000
84	R68	RD35000	X	RD35000
85	IC7	SN74LV157APWR	X	SN74LV157APWR
86	C222	US09510	X	US09510
87	L10	V244990	X	V244990
88	U1	WM0180	X	WM0180
89	U2	GP17A503R20P	X	GP17A503R20P
90	Pu1	4448900	4448900	4448900
91	C3	US08120	US08120	US08120
92	R1	RD35482	RD35482	RD35482
93	C11	US13010	US13010	US13010
94	C12	US08120	US08120	US08120
95	R3	RD35068	RD35068	RD35068
96	L9	V244990	V244990	V244990
97	R7	RD35647	RD35647	RD35647
98	IC1	SN74LV044PWR	SN74LV044PWR	SN74LV044PWR
99	Hb-09	RD35718	RD35718	RD35718
100	C20	US09510	US09510	US09510
101	C6-C7	US13010	US13010	US13010
102	C16	US08120	US08120	US08120
103	L2	V244990	V244990	V244990
104	L1	BLM1P000G5	BLM1P000G5	BLM1P000G5
105	IC3	SN74HC10DWR	SN74HC10DWR	SN74HC10DWR
106	R29	RD35000	RD35000	RD35000
107	R21	RD35010	RD35010	RD35010

Interchangeable Parts at Manufacture-Stage

Mark	Reference Parts Number	Parts Name
81	U1	GP17A503R20P
82	U2-4	GP17A503R20P
83	IC7-14	SN74LV157APWR
84	IC6	WM1802CH-7
85	D3-B-13	105395
86		M4111
87	IC16	AK4628VQ

CAPACITOR PARTS NAME

NO MARK	ELECTROLYTIC CAPACITOR
⊗	TANTALUM CAPACITOR
NO MARK	CERAMIC CAPACITOR
⊙	CERAMIC TUBULAR CAPACITOR
⊖	POLYESTER FILM CAPACITOR
○	POLYSTYRENE FILM CAPACITOR
⊕	MICA CAPACITOR
⊙	POLYPROPYLENE FILM CAPACITOR
⊖	SEMICONDUCTIVE CERAMIC CAPACITOR
⊕	POLYPHENYLENE SULFIDE FILM CAPACITOR

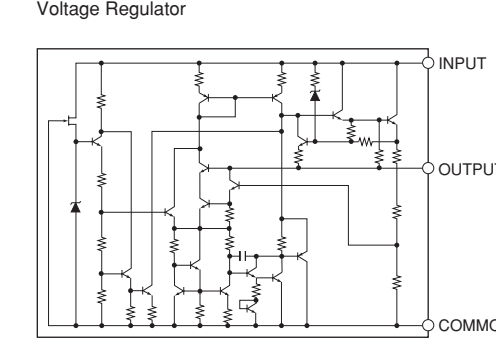
RESISTOR PARTS NAME

NO MARK	CARBON FILM RESISTOR (P±5)
⊠	CARBON FILM RESISTOR (P±10)
△	METAL OXIDE FILM RESISTOR
▲	METAL FILM RESISTOR
⊖	METAL PLATE RESISTOR
⊕	FIRE PROOF CARBON FILM RESISTOR
⊠	CEMENT MIXED RESISTOR
⊖	SEMI VARIABLE RESISTOR
⊕	CHIP RESISTOR

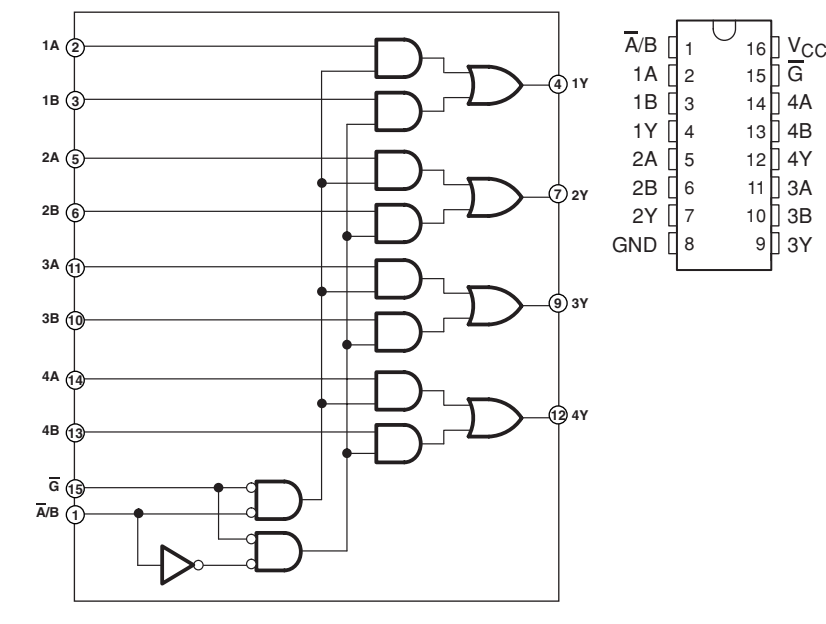
NOTICE (model)

(J)..... JAPAN
 (U)..... U.S.A.
 (C)..... CANADA
 (R)..... GENERAL
 (T)..... CHINA
 (K)..... KOREA
 (A)..... AUSTRALIA
 (B)..... BRITISH
 (E)..... EUROPE
 (L)..... SINGAPORE
 (V)..... SOUTH EUROPE
 (I)..... TAIWAN

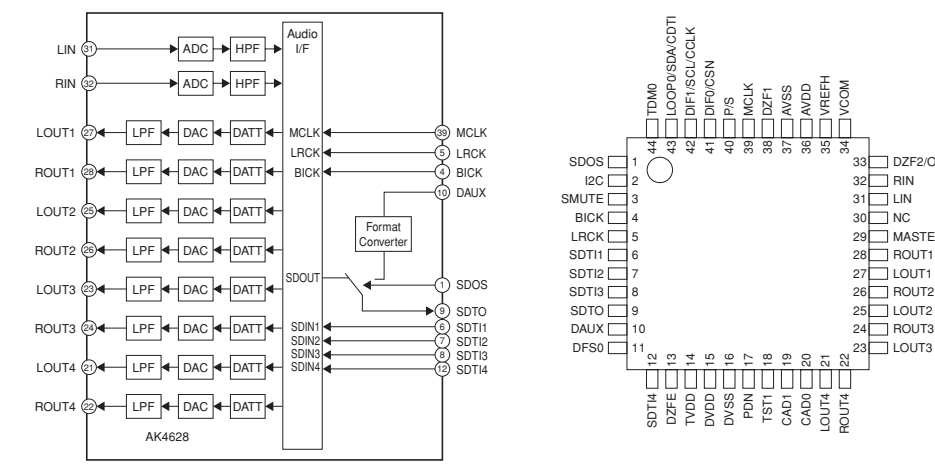
IC9: NJM78M05DL1A Voltage Regulator



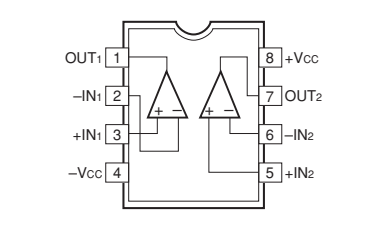
IC14: SN74LV157APWR Quaduple 2-line to 1-line data selectors/multiplexers



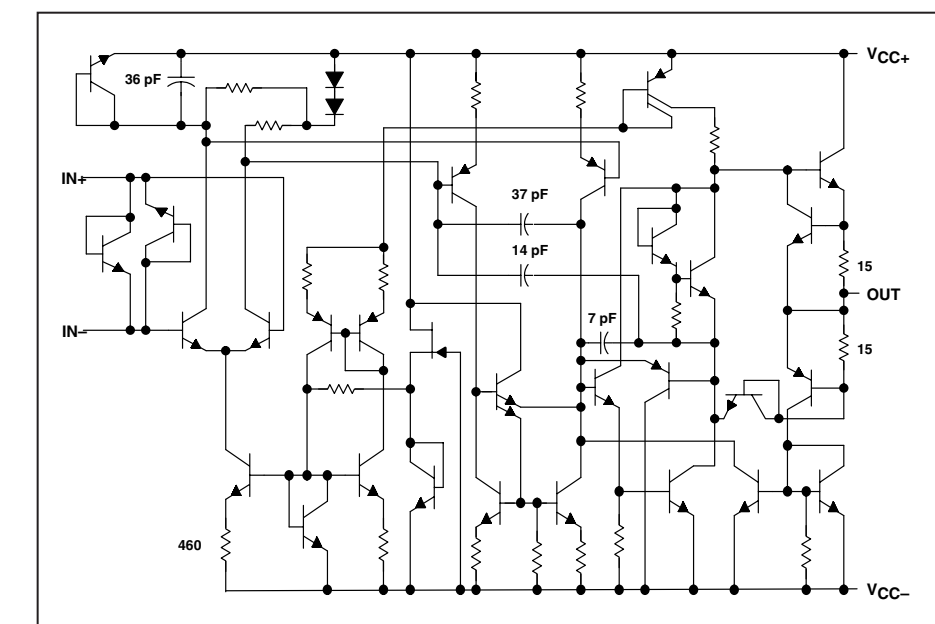
IC16: AK4628VQ 192kHz 24Bit 8-channel CODEC



IC18, 20: NJM2068MD Dual OP-Amp



IC19, 20: NE5532DR DUAL LOW-NOISE OPERATIONAL AMPLIFIERS



* All voltages are measured with a 10MΩ/V DC electronic volt meter.
 * Components having special characteristics are marked with a star (★) and must be replaced with parts having specifications equal to those originally installed.
 * Schematic diagram is subject to change without notice.

★ 電圧は、内部抵抗10MΩの電圧計で測定したものです。
 ★ 星印のある部品は、安全性確保部品を示しています。部品の交換が必要な場合、パーツリストに記載されている部品を使用してください。
 ★ 本回路図は標準回路図です。改良のため予告なく変更することがございます。