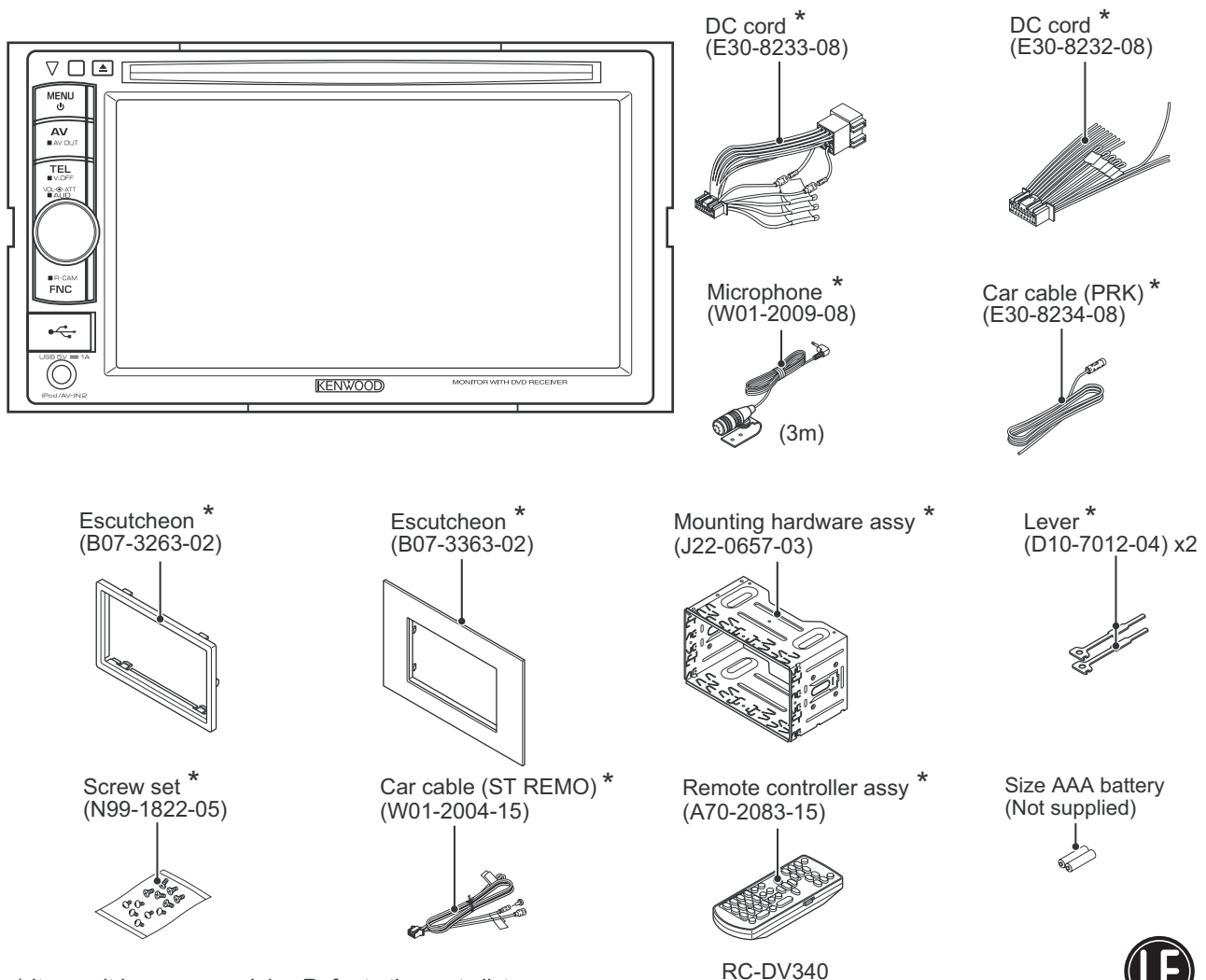


# KENWOOD


## SERVICE MANUAL

### MONITOR WITH DVD RECEIVER

**DDX3021, DDX3049, DDX3051, DDX319, DDX4021BT,  
DDX4031, DDX4031BT, DDX4031BTM, DDX4031M,  
DDX4049BT, DDX4051BT, DDX419**



\* It uses it by some models. Refer to the parts list.

This product uses Lead Free solder.  PbF  
This product complies with the **RoHS** directive for the European market.

# SPECIFICATION

## Models for destination "K&R"

<b>Monitor section</b>		
Picture Size	6.1 inches (diagonal) wide 136.2 mm (W) × 72 mm (H)	
Display System	Transparent TN LCD panel	
Drive System	TFT active matrix system	
Number of Pixels	1,152,000 (800H × 480V × RGB)	
Effective Pixels	99.99%	
Pixel Arrangement	RGB striped arrangement	
Back Lighting	LED	
<b>DVD player section</b>		
D/A Converter	24 bit	
Audio Decoder	Linear PCM/Dolby Digital/dts/MP3/WMA/AAC/WAV	
Video Decoder	MPEG1/MPEG2/DivX [DDX4049BT/DDX3049]	
Wow & Flutter	Below Measurable Limit	
Frequency Response	Sampling frequency: 96 kHz	20 - 22,000 Hz
	Sampling frequency: 48 kHz	20 - 22,000 Hz
	Sampling frequency: 44.1 kHz	20 - 20,000 Hz
Total Harmonic Distortion	0.010% (1 kHz)	
S/N Ratio (dB)	99 dB (DVD-Video 96 kHz)	
Dynamic Range	98 dB (DVD-Video 96 kHz)	
Disc Format	DVD-Video/VIDEO-CD/CD-DA	
Sampling frequency	44.1/48/96 kHz	
Quantifying Bit Number	16/20/24 bit	
<b>USB interface section</b>		
USB Standard	USB 2.0 Full Speed	
File System	FAT 16/32	
Maximum Power Supply Current	DC 5 V <sub>max</sub> 1 A	
D/A Converter	24 Bit	
Video Decoder	MPEG1/MPEG2/DivX [DDX4049BT/DDX3049]	
Audio Decoder	MP3/WMA/AAC/WAV (Linear PCM)	
<b>Bluetooth section [DDX419/DDX4049BT]</b>		
Technology	Bluetooth 2.0 Certified	
Frequency	2.402 - 2.480 GHz	
Output Power	+4dBm (MAX), 0dBm (AVE), Power Class2	
Maximum Communication range	Line of sight approx. 10m (32.8 ft)	
Profile	HFP (Hands Free Profile), OPP (Object Push Profile), PBAP (Phonebook Access Profile), A2DP (Advanced Audio Distribution Profile), AVRCP (Audio/Video Remote Control Profile)	

<b>FM tuner section</b>		
Frequency Range	200 kHz: 87.9 MHz - 107.9 MHz [DDX419/DDX319] 50 kHz: 87.5 MHz - 108.0 MHz [DDX4049BT/DDX3049]	
Usable Sensitivity (S/N: 30 dB)	9.3 dBf (0.8 $\mu$ V/75 $\Omega$ )	
Quieting Sensitivity (S/N: 50 dB)	15.2 dBf (1.6 $\mu$ V/75 $\Omega$ )	
Frequency Response ( $\pm$ 3.0 dB)	30 Hz - 15 kHz	
S/N Ratio (dB)	70 dB (MONO)	
Selectivity ( $\pm$ 400 kHz)	$\geq$ 65 dB	
Stereo Separation	40 dB (1 kHz)	
<b>AM tuner section</b>		
Frequency Range (10 kHz)	530 kHz - 1 700 kHz	
Usable Sensitivity	28 dB $\mu$	
<b>Video section</b>		
Color System of External Video Input	NTSC/PAL	
External Video Input Level (RCA/mini jack)	1 Vp-p/ 75 $\Omega$	
External Audio Max Input Level (RCA/mini jack)	2 V/ 25 k $\Omega$	
Video Output Level (RCA jack)	1 Vp-p/ 75 $\Omega$	
Audio Output Level (mini jack)	1.2 V/ 10 k $\Omega$	
Analog RGB input	0.7 Vp-p/ 75 $\Omega$	
<b>Audio section</b>		
Maximum Power (Front & Rear)	50 W $\times$ 4	
Full Bandwidth Power (Front & Rear) (4 $\Omega$ , 14.4 V, 1% THD)	22 W $\times$ 4	
Preout Level (V)	4 V/10 k $\Omega$	
Preout Impedance	$\leq$ 600 $\Omega$	
Speaker Impedance	4 - 8 $\Omega$	
Tone	Bass	100 Hz $\pm$ 8 dB
	Middle	1 kHz $\pm$ 8 dB
	Treble	12.5 kHz $\pm$ 8 dB
<b>General</b>		
Operating Voltage	14.4 V (10.5 - 16 V allowable)	
Maximum Current Consumption	10 A	
Dimensions (W $\times$ H $\times$ D)	182 $\times$ 112 $\times$ 163 mm (7-3/16 $\times$ 4-7/16 $\times$ 6-7/16 inch)	
Operational Temperature Range	-10°C - +60°C	
Storage Temperature Range	-20°C - +85°C	
Weight	2.0 kg (4.4 lbs)	

- Although the effective pixels for the liquid crystal panel is given as 99.99% or more, 0.01% of pixels may not light or may light incorrectly.
- Specifications are subject to change without notice.

# SPECIFICATION

## Models for destination "E&Q"

<b>Monitor section</b>		
Picture Size	6.1 inches (diagonal) wide 136.2 mm (W) × 72 mm (H)	
Display System	Transparent TN LCD panel	
Drive System	TFT active matrix system	
Number of Pixels	1,152,000 (800H × 480V × RGB)	
Effective Pixels	99.99%	
Pixel Arrangement	RGB striped arrangement	
Back Lighting	LED	
<b>DVD player section</b>		
D/A Converter	24 bit	
Audio Decoder	Linear PCM/Dolby Digital/dts/MP3/WMA/AAC/WAV	
Video Decoder	MPEG1/MPEG2/DivX	
Wow & Flutter	Below Measurable Limit	
Frequency Response	Sampling frequency: 96 kHz	20 - 22,000 Hz
	Sampling frequency: 48 kHz	20 - 22,000 Hz
	Sampling frequency: 44.1 kHz	20 - 20,000 Hz
Total Harmonic Distortion	0.010% (1 kHz)	
S/N Ratio (dB)	99 dB (DVD-Video 96 kHz)	
Dynamic Range	98 dB (DVD-Video 96 kHz)	
Disc Format	DVD-Video/VIDEO-CD/CD-DA	
Sampling frequency	44.1/48/96 kHz	
Quantifying Bit Number	16/20/24 bit	
<b>USB interface section</b>		
USB Standard	USB 2.0 Full Speed	
File System	FAT 16/32	
Maximum Power Supply Current	DC 5 V <sub>max</sub> 1 A	
D/A Converter	24 Bit	
Video Decoder	MPEG1/MPEG2/DivX	
Audio Decoder	MP3/WMA/AAC/WAV (Linear PCM)	
<b>Bluetooth section [DDX4021BT/DDX4051BT]</b>		
Technology	Bluetooth 2.0 Certified	
Frequency	2.402 - 2.480 GHz	
Output Power	+4dBm (MAX), 0dBm (AVE), Power Class2	
Maximum Communication range	Line of sight approx. 10m (32.8 ft)	
Profile	HFP (Hands Free Profile), OPP (Object Push Profile), PBAP (Phonebook Access Profile), A2DP (Advanced Audio Distribution Profile), AVRCP (Audio/Video Remote Control Profile)	

<b>FM tuner section</b>		
Frequency Range (50 kHz)	87.5 MHz - 108.0 MHz	
Usable Sensitivity (S/N: 26 dB)	0.7 $\mu$ V/75 $\Omega$	
Quieting Sensitivity (S/N: 46 dB)	1.6 $\mu$ V/75 $\Omega$	
Frequency Response ( $\pm$ 3.0 dB)	30 Hz - 15 kHz	
S/N Ratio (dB)	65 dB (MONO)	
Selectivity ( $\pm$ 400 kHz)	$\geq$ 65 dB	
Stereo Separation	35 dB (1 kHz)	
<b>LW tuner section</b>		
Frequency Range (9 kHz)	153 kHz - 279 kHz	
Usable Sensitivity	45 $\mu$ V	
<b>MW tuner section</b>		
Frequency Range (9 kHz)	531 kHz - 1611 kHz	
Usable Sensitivity	25 $\mu$ V	
<b>Video section</b>		
Color System of External Video Input	NTSC/PAL	
External Video Input Level (RCA/mini jack)	1 V <sub>p-p</sub> / 75 $\Omega$	
External Audio Max Input Level (RCA/mini jack)	2 V/ 25 k $\Omega$	
Video Output Level (RCA jack)	1 V <sub>p-p</sub> / 75 $\Omega$	
Audio Output Level (mini jack)	1.2 V/ 10 k $\Omega$	
Analog RGB input	0.7 V <sub>p-p</sub> / 75 $\Omega$	
<b>Audio section</b>		
Maximum Power (Front & Rear)	50 W $\times$ 4	
Full Bandwidth Power (Front & Rear) (PWR DIN 45324, +B=14.4V)	30 W $\times$ 4	
Preout Level (V)	4 V/10 k $\Omega$	
Preout Impedance	$\leq$ 600 $\Omega$	
Speaker Impedance	4 - 8 $\Omega$	
Tone	Bass	100 Hz $\pm$ 8 dB
	Middle	1 kHz $\pm$ 8 dB
	Treble	12.5 kHz $\pm$ 8 dB
<b>General</b>		
Operating Voltage	14.4 V (10.5 - 16 V allowable)	
Maximum Current Consumption	10 A	
Dimensions (W $\times$ H $\times$ D)	182 $\times$ 112 $\times$ 163 mm	
Operational Temperature Range	-10°C - +60°C	
Storage Temperature Range	-20°C - +85°C	
Weight	2.0 kg	

- Although the effective pixels for the liquid crystal panel is given as 99.99% or more, 0.01% of pixels may not light or may light incorrectly.
- Specifications are subject to change without notice.

# SPECIFICATION

## Models for destination "X&C&M"

<b>Monitor section</b>		
Picture Size	6.1 inches (diagonal) wide 136.2 mm (W) × 72 mm (H)	
Display System	Transparent TN LCD panel	
Drive System	TFT active matrix system	
Number of Pixels	1,152,000 (800H × 480V × RGB)	
Effective Pixels	99.99%	
Pixel Arrangement	RGB striped arrangement	
Back Lighting	LED	
<b>DVD player section</b>		
D/A Converter	24 bit	
Audio Decoder	Linear PCM/Dolby Digital/dts/MP3/WMA/AAC/WAV	
Video Decoder	MPEG1/MPEG2/DivX	
Wow & Flutter	Below Measurable Limit	
Frequency Response	Sampling frequency: 96 kHz	20 - 22,000 Hz
	Sampling frequency: 48 kHz	20 - 22,000 Hz
	Sampling frequency: 44.1 kHz	20 - 20,000 Hz
Total Harmonic Distortion	0.010% (1 kHz)	
S/N Ratio (dB)	99 dB (DVD-Video 96 kHz)	
Dynamic Range	98 dB (DVD-Video 96 kHz)	
Disc Format	DVD-Video/VIDEO-CD/CD-DA	
Sampling frequency	44.1/48/96 kHz	
Quantifying Bit Number	16/20/24 bit	
<b>USB interface section</b>		
USB Standard	USB 2.0 Full Speed	
File System	FAT 16/32	
Maximum Power Supply Current	DC 5 V <sub>max</sub> 1 A	
D/A Converter	24 Bit	
Video Decoder	MPEG1/MPEG2/DivX	
Audio Decoder	MP3/WMA/AAC/WAV (Linear PCM)	
<b>Bluetooth section [DDX4031BT/DDX4031BTM]</b>		
Technology	Bluetooth 2.0 Certified	
Frequency	2.402 - 2.480 GHz	
Output Power	+4dBm (MAX), 0dBm (AVE), Power Class2	
Maximum Communication range	Line of sight approx. 10m (32.8 ft)	
Profile	HFP (Hands Free Profile), OPP (Object Push Profile), PBAP (Phonebook Access Profile), A2DP (Advanced Audio Distribution Profile), AVRCP (Audio/Video Remote Control Profile)	

<b>FM tuner section</b>		
Frequency Range	200 kHz: 87.9 MHz - 107.9 MHz (Region 4/6 models only) 50 kHz: 87.5 MHz - 108.0 MHz	
Usable Sensitivity (S/N: 26 dB)	9.3 dBf (0.8 $\mu$ V/75 $\Omega$ )	
Quieting Sensitivity (S/N: 46 dB)	15.2 dBf (1.6 $\mu$ V/75 $\Omega$ )	
Frequency Response ( $\pm$ 3.0 dB)	30 Hz - 15 kHz	
S/N Ratio (dB)	70 dB (MONO)	
Selectivity ( $\pm$ 400 kHz)	$\geq$ 65 dB	
Stereo Separation	40 dB (1 kHz)	
<b>AM tuner section</b>		
Frequency Range	AM (10 kHz)	530 kHz - 1700 kHz (Region 4/6 models only)
	LW (9 kHz)	153 kHz - 279 kHz
	MW (9 kHz)	531 kHz - 1611 kHz
Usable Sensitivity	AM	28 dB $\mu$
	LW	45 $\mu$ V
	MW	25 $\mu$ V
<b>Video section</b>		
Color System of External Video Input	NTSC/PAL	
External Video Input Level (RCA/mini jack)	1 Vp-p/ 75 $\Omega$	
External Audio Max Input Level (RCA/mini jack)	2 V/ 25 k $\Omega$	
Video Output Level (RCA jack)	1 Vp-p/ 75 $\Omega$	
Audio Output Level (mini jack)	1.2 V/ 10 k $\Omega$	
Analog RGB input	0.7 Vp-p/ 75 $\Omega$	
<b>Audio section</b>		
Maximum Power (Front & Rear)	50 W $\times$ 4	
Full Bandwidth Power (Front & Rear)(at less than 1% THD)	22 W $\times$ 4	
Preout Level (V)	4 V/10 k $\Omega$	
Preout Impedance	$\leq$ 600 $\Omega$	
Speaker Impedance	4 - 8 $\Omega$	
Tone	Bass	100 Hz $\pm$ 8 dB
	Middle	1 kHz $\pm$ 8 dB
	Treble	12.5 kHz $\pm$ 8 dB
<b>General</b>		
Operating Voltage	14.4 V (10.5 - 16 V allowable)	
Maximum Current Consumption	10 A	
Dimensions (W $\times$ H $\times$ D)	182 $\times$ 112 $\times$ 163 mm	
Operational Temperature Range	-10 $^{\circ}$ C - +60 $^{\circ}$ C	
Storage Temperature Range	-20 $^{\circ}$ C - +85 $^{\circ}$ C	
Weight	2.0 kg	

- Although the effective pixels for the liquid crystal panel is given as 99.99% or more, 0.01% of pixels may not light or may light incorrectly.
- Specifications are subject to change without notice.

# SECTION 1 PRECAUTION

## 1.1 Safety Precautions

- (1) This design of this product contains special hardware and many circuits and components specially for safety purposes. For continued protection, no changes should be made to the original design unless authorized in writing by the manufacturer. Replacement parts must be identical to those used in the original circuits. Services should be performed by qualified personnel only.
- (2) Alterations of the design or circuitry of the product should not be made. Any design alterations of the product should not be made. Any design alterations or additions will void the manufacturer's warranty and will further relieve the manufacturer of responsibility for personal injury or property damage resulting therefrom.
- (3) Many electrical and mechanical parts in the products have special safety-related characteristics. These characteristics are often not evident from visual inspection nor can the protection afforded by them necessarily be obtained by using replacement components rated for higher voltage, wattage, etc. Replacement parts which have these special safety characteristics are identified in the Parts List of Service Manual. Electrical components having such features are identified by shading on the schematics and by ( $\Delta$ ) on the Parts List in the Service Manual. The use of a substitute replacement which does not have the same safety characteristics as the recommended replacement parts shown in the Parts List of Service Manual may create shock, fire, or other hazards.
- (4) The leads in the products are routed and dressed with ties, clamps, tubings, barriers and the like to be separated from live parts, high temperature parts, moving parts and/or sharp edges for the prevention of electric shock and fire hazard. When service is required, the original lead routing and dress should be observed, and it should be confirmed that they have been returned to normal, after reassembling.

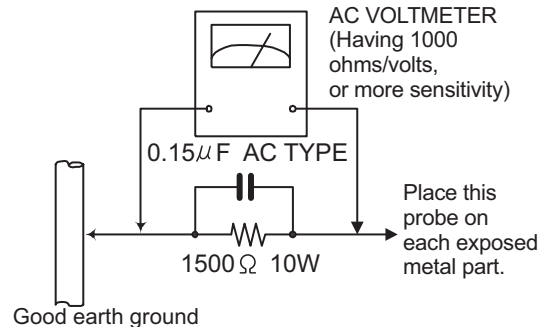
### (5) Leakage shock hazard testing

After reassembling the product, always perform an isolation check on the exposed metal parts of the product (antenna terminals, knobs, metal cabinet, screw heads, headphone jack, control shafts, etc.) to be sure the product is safe to operate without danger of electrical shock. Do not use a line isolation transformer during this check.

- Plug the AC line cord directly into the AC outlet. Using a "Leakage Current Tester", measure the leakage current from each exposed metal part of the cabinet, particularly any exposed metal part having a return path to the chassis, to a known good earth ground. Any leakage current must not exceed 0.5mA AC (r.m.s.).
- Alternate check method  
Plug the AC line cord directly into the AC outlet. Use an AC voltmeter having, 1,000 $\Omega$  per volt or more sensitivity in the following manner. Connect a 1,500 $\Omega$  10W resistor paralleled by a 0.15 $\mu$ F AC-type capacitor between an exposed metal part and a known good earth ground. Measure the AC voltage across the resistor with the AC

voltmeter.

Move the resistor connection to each exposed metal part, particularly any exposed metal part having a return path to the chassis, and measure the AC voltage across the resistor. Now, reverse the plug in the AC outlet and repeat each measurement. Voltage measured any must not exceed 0.75 V AC (r.m.s.). This corresponds to 0.5 mA AC (r.m.s.).



## 1.2 Warning

- (1) This equipment has been designed and manufactured to meet international safety standards.
- (2) It is the legal responsibility of the repairer to ensure that these safety standards are maintained.
- (3) Repairs must be made in accordance with the relevant safety standards.
- (4) It is essential that safety critical components are replaced by approved parts.
- (5) If mains voltage selector is provided, check setting for local voltage.

## 1.3 Caution

**Burrs formed during molding may be left over on some parts of the chassis.**

**Therefore, pay attention to such burrs in the case of pre-forming repair of this system.**

## 1.4 Critical parts for safety

In regard with component parts appearing on the silk-screen printed side (parts side) of the PWB diagrams, the parts that are printed over with black such as the resistor (■), diode (■) and ICP (●) or identified by the " $\Delta$ " mark nearby are critical for safety. When replacing them, be sure to use the parts of the same type and rating as specified by the manufacturer. (This regulation does not Except the J and C version)



## 1.5 Preventing static electricity

Electrostatic discharge (ESD), which occurs when static electricity stored in the body, fabric, etc. is discharged, can destroy the laser diode in the traverse unit (optical pickup). Take care to prevent this when performing repairs.

### 1.5.1 Grounding to prevent damage by static electricity

Static electricity in the work area can destroy the optical pickup (laser diode) in devices such as laser products.

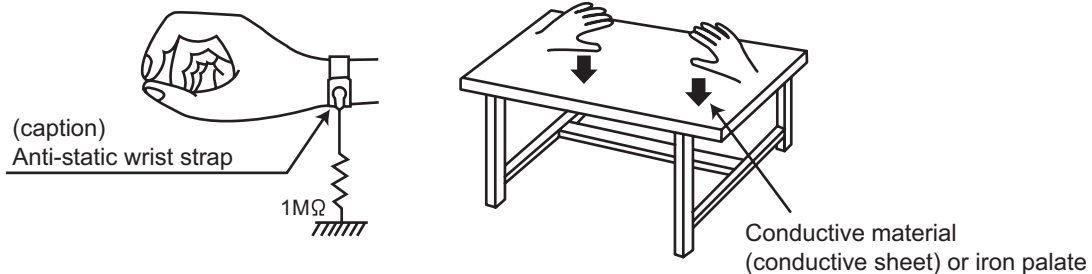
Be careful to use proper grounding in the area where repairs are being performed.

(1) Ground the workbench

Ground the workbench by laying conductive material (such as a conductive sheet) or an iron plate over it before placing the traverse unit (optical pickup) on it.

(2) Ground yourself

Use an anti-static wrist strap to release any static electricity built up in your body.



(3) Handling the optical pickup

- In order to maintain quality during transport and before installation, both sides of the laser diode on the replacement optical pickup are shorted. After replacement, return the shorted parts to their original condition. (Refer to the text.)
- Do not use a tester to check the condition of the laser diode in the optical pickup. The tester's internal power source can easily destroy the laser diode.

## 1.6 Handling the traverse unit (optical pickup)

(1) Do not subject the traverse unit (optical pickup) to strong shocks, as it is a sensitive, complex unit.

(2) Cut off the shorted part of the flexible cable using nippers, etc. after replacing the optical pickup. For specific details, refer to the replacement procedure in the text. Remove the anti-static pin when replacing the traverse unit. Be careful not to take too long a time when attaching it to the connector.

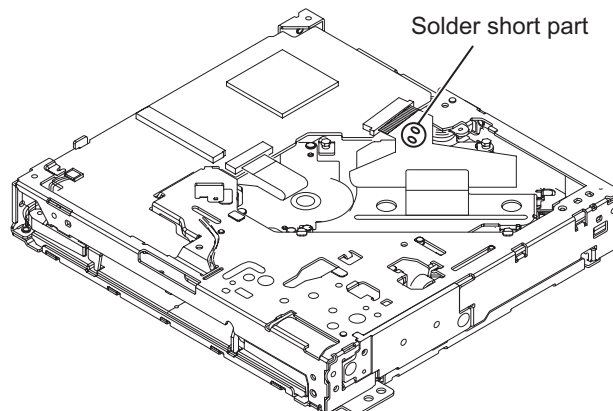
(3) Handle the flexible cable carefully as it may break when subjected to strong force.

(4) It is not possible to adjust the semi-fixed resistor that adjusts the laser power. Do not turn it.

## 1.7 Attention when traverse unit is decomposed

**\*Please refer to "Disassembly method" in the text for the pickup unit.**

- Apply solder to the short land sections before the FFC wire is disconnected from the connector on the servo board. (If the FFC wire is disconnected without applying solder, the pickup may be destroyed by static electricity.)
- In the assembly, be sure to remove solder from the short land sections after connecting the FFC wire.



## 1.8 Important for laser products

### 1.CLASS 1 LASER PRODUCT

#### 2.CAUTION :

(For U.S.A.) Visible and/or invisible class II laser radiation when open. Do not stare into beam.

(Others) Visible and/or invisible class 1M laser radiation when open. Do not view directly with optical instruments.

**3.CAUTION :** Visible and/or invisible laser radiation when open and inter lock failed or defeated. Avoid direct exposure to beam.

**4.CAUTION :** This laser product uses visible and/or invisible laser radiation and is equipped with safety switches which prevent emission of radiation when the drawer is open and the safety interlocks have failed or are defeated. It is dangerous to defeat the safety switches.

(For U.S.A.)

**CAUTION :** Visible and/or invisible class II laser radiation when open. Do not stare into beam.

(Others)

**CAUTION :** Visible and/or invisible class 1M laser radiation when open. Do not view directly with optical instruments

**ACHTUNG:** Sichtbare und/oder unsichtbare Laserstrahlung der Klasse 1M bei offenen Abdeckungen. Nicht direkt mit optischen Instrumenten betrachten.

**ATTENTION:** Rayonnement laser visible et/ou invisible de classe 1M une fois ouvert. Ne pas regarder directement avec des instruments optiques.

**VOORZICHTIG:** Zichtbare en/of onzichtbare klasse 1M laserstralen indien geopend. Bekijk niet direct met optische instrumenten.

**ATTENZIONE:** Radiazione laser in classe 1M visibile e/o invisibile quando aperto. Non osservare direttamente con strumenti ottici.

**WARNING:** Synlig och/eller osynlig laserstrålning, klass 1M, när denna del är öppnad. Betrakta ej strålen med optiska instrument.

**VARO!** Avattaessa olet alttiina näkyvälle ja/tai näkymättömälle luokan 1M lasersäteilylle. Älä tarkastele sitä optisen laitteen läpi.

**ADVASEL:** Synlig og/eller usynlig klasse 1M-laserstråling ved åbning. Se ikke direkte med optiske instrumenter.

**AVISO:** Radiación láser de clase 1M visible y/o invisible cuando está abierto. No mirar directamente con instrumental óptico.

**PRECAUÇÃO:** Radiação laser de classe 1M visível e/ou invisível quando aberto. Não olhe diretamente com instrumentos ópticos.

**5.CAUTION :** If safety switches malfunction, the laser is able to function.

**6.CAUTION :** Use of controls, adjustments or performance of procedures other than those specified here in may result in hazardous radiation exposure.



**CAUTION** Please use enough caution not to see the beam directly or touch it in case of an adjustment or operation check.

**PRECAUÇÃO:** Radiação laser de classe 1M visível e/ou invisível quando aberto. Não olhe diretamente com instrumentos ópticos.

**ПРЕДУПРЕЖДЕНИЕ:** В открытом состоянии происходит видимое и/или невидимое излучение лазера класса 1M. Не смотрите непосредственно в оптические инструменты.

**UWAGA:** Otwarcie spowoduje narażenie na widzialne i/lub niewidzialne promieniowanie lasera klasy 1M. Nie patrzeć bezpośrednio w przyrządy optyczne.

**UPOZORNĚNÍ:** Při otevření vydává viditelné popř. neviditelné laserové ozáření třídy 1M. Nedívejte se do otvoru přímo s optickými nástroji.

**FIGYELMEZTETÉS:** Látható és/vagy láthatatlan 1M osztályú sugárzás nyitott állapotban. Ne nézze közvetlenül optikai műszerekkel.

**注意:** 打開蓋板可能會產生可見或不可見的 1M 級鐳射。不要使用光學儀器直接進行窺視。

**注意:** 打开盖板可能会产生可见或不可见的 1M 级辐射。不要使用光学仪器直接进行窥视。

**تنبيه:** يوجد إشعاع ليزري مرئي و/أو غير مرئي من الفئة 1M عندما يكون الجهاز مفتوحاً. تجنب النظر مباشرة داخل الجهاز باستخدام أدوات بصرية.

**احتياط:** هنگامی که باز گردد، تشعشع مرئی و یا نامرئی کلاس 1M لیزر وجود دارد. با لوازم چشمی مستقیماً به آن نگاه نکنید.

**주의:** 개방하면 가시 및/또는 비가시 클래스 1M 레이저 방사선이 나옵니다. 광학 기구로 직접 들여다보지 마십시오.

## SECTION 2 SPECIFIC SERVICE INSTRUCTIONS

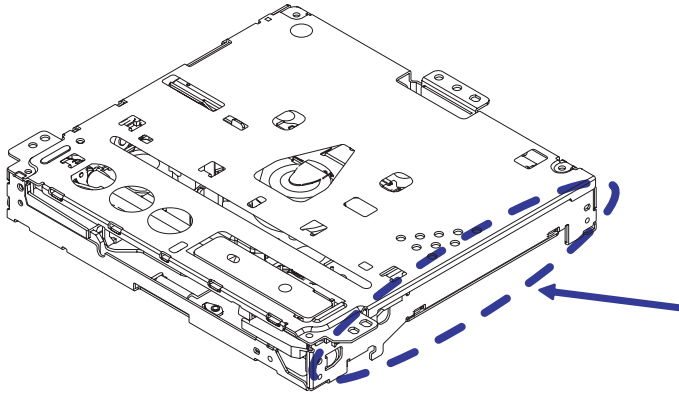
### 2.1 Identifying the DVD Mechanism

This unit is equipped with one of the two DVD mechanism types below.

- FMU-XS2-21D
- FMU-XS2-41D

Before sending the mechanism for repair, please check the following and refer to the corresponding materials.

SPECIFICATION	
MODEL NAME	STAMP No.
FMU-XS2-11D	S21
FMU-XS2-21D	S22
FMU-XS2-31D	S23
FMU-XS2-41D	S24
FMU-XS3-11D	S31
FMU-XS3-21D	S32



Chassis Stamp Print on Right Side of Mechanism



## 2.2 COMPONENTS DESCRIPTION

### 2.2.1 MAIN UNIT

Ref. No.	Application / Function	Operation / Condition / Compatibility
IC11	Tuner IC	FM/AM Tuner
IC101	Power IC	Power AMP
IC141	Electric Vol IC	Audio Vol Control, Audio Signal Select
IC152	AND Logic IC	Navi(SXI) TX 5.0V→3.3V convert
IC153	AND Logic IC	Navi(SXI) RX 3.3V→5.0V convert
IC181	Analogue IC	Audio Isolation AMP
IC191	OP-AMP X 2	DVD Audio LPF
IC261	Vdeo selector IC	RGB or YCbCr selector
IC701	MCU IC	System control IC
IC721	EEPROM	Memory
IC731	Voltage detect IC	Reset signal generate at 2.4V
IC751	AND Logic IC	REMOCON signal MIX curcuit
IC801	Regulator	System DC Regulator IC
IC802	Regulator	D5V DCDCconverter IC
IC803	DCDCcontrol IC	D3.3V/24.5V/-20V DCDC converter IC
IC821	Regulator	For BU3.3V Regulator IC
IC831	Regulator	USB5V DCDCconverter IC
IC851	Regulator	15V Regulator IC
IC931	SW FET	STREMO control
Q717	Transistor	SI control
Q731	Transistor	AMUTE control
Q791	Transistor	TOUCH control
Q801	Transistor	System DC control
Q802	Transistor	System DC control
Q803	Transistor	System DC control
Q804	Transistor	System DC control
Q805	Transistor	System DC control
Q821	Transistor	3.3V Power Supply control
Q822	Transistor	3.3V Power Supply control
Q871	SW FET	SW14V ON/OFF
Q872	Transistor	SW14V control
Q873	Transistor	SW14V control
Q874	Transistor	SW14V control
Q875	Transistor	SW14V control
Q931	Transistor	Steering REMOCON control
Q971	Transistor	BU_DET control
Q972	Transistor	BU_DET control
Q1121	Transistor	PRE_OUT_Mute
Q1221	Transistor	PRE_OUT_Mute
Q1301	Transistor	PWIC control
Q1302	Transistor	PWIC control
Q1341	Transistor	AV_OUT_Mute
Q1401	Transistor	PRE_OUT_Mute

Ref. No.	Application / Function	Operation / Condition / Compatibility
Q1501	Transistor	AMUTE control
Q1502	Transistor	AMUTE control
Q1503	Transistor	AMUTE control
Q1504	Transistor	AMUTE control
Q1505	Transistor	AMUTE control
Q1507	Transistor	AMUTE control
Q1508	Transistor	AMUTE control
Q1541	Transistor	SXI PWREN cntrol
Q1542	Transistor	SXI PWREN cntrol
Q1942	Transistor	PARKING control
Q1943	Transistor	PARKING control
Q1944	Transistor	PARKING control
Q1951	Transistor	ILUMI control
Q1961	Transistor	REVERSE control
Q8021	Transistor	DCDC ERROR_DET
Q8022	Transistor	DCDC ERROR_DET
Q8101	SW FET	DCDC SW FET (D3.3V)
Q8102	Transistor	DCDC control
Q8103	Transistor	DCDC control
Q8104	Transistor	DCDC ERROR_DET
Q8201	SW FET	DCDC SW FET (24.5V-20V)
Q8202	Transistor	DCDC control
Q8203	Transistor	DCDC control
Q8301	Transistor	DCDC control

### 2.2.2 SUB UNIT

Ref. No.	Application / Function	Operation / Condition / Compatibility
IC201	Video buffer	AVOUT Video driver with LPF
IC211	Video selector IC	Video selector to AVOUT
IC231	Video selector IC	Video selector to LCD
IC241	Analogue IC	VIDEO Isolation AMP

### 2.2.3 PANEL-A UNIT

Ref. No.	Application / Function	Operation / Condition / Compatibility
IC401	Croma gamma T/C Scaller	Croma gamma T/C Scaller
IC404	Logic IC	APPCLK buffer
IC405	Regulator	1.2V Regulator IC
IC406	Logic IC	Vsync 1.0V→3.3V convert
IC431	128Mbit SDRAM IC	SDRAM for Image signal preservation
IC441	64Mbit FLASH ROM	FLASH ROM for MN103SH23
IC451	64Mbit FLASH ROM	FLASH ROM for MN103SH23
IC501	Regulator	9.2V Regulator IC
IC511	OP-AMP X 2	VCOM AMP
Q4002	Transistor	Vsync control
Q4601	Transistor	VIDEO buffer
Q4611	Transistor	VIDEO buffer
Q4621	Transistor	VIDEO buffer
Q4631	Transistor	VIDEO buffer
Q5201	Transistor	18V Regulator
Q5202	Transistor	18V Regulator
Q5203	Transistor	18V Regulator
Q5301	Transistor	-6V Regulator
Q5302	Transistor	-6V Regulator

### 2.2.4 PANEL-B UNIT

Ref. No.	Application / Function	Operation / Condition / Compatibility
IC611	Regulator	3.3V Regulator IC
IC651	Remote control module	Remote control sensor
Q6001	Transistor	LCD Constant current circuit
Q6002	Transistor	LCD Constant current circuit
Q6003	Transistor	LCD Constant current circuit
Q6004	Transistor	LCD Constant current circuit
Q6005	Transistor	18V Regulator
Q6006	Transistor	LCD Constant current circuit
Q6007	Transistor	LCD Constant current circuit
Q6008	Transistor	LCD Constant current circuit
Q6009	Transistor	LCD Constant current circuit
Q6010	Transistor	18V Regulator controller
Q6011	Transistor	18V Regulator controller
Q6101	Transistor	TOUCH control
Q6102	Transistor	TOUCH control
Q6103	Transistor	TOUCH control
Q6104	Transistor	TOUCH control
Q6105	Transistor	TOUCH control
Q6201	Transistor	LED B Constant current circuit
Q6202	Transistor	LED G Constant current circuit
Q6203	Transistor	LED R Constant current circuit

### 2.2.5 BT UNIT

Ref. No.	Application / Function	Operation / Condition / Compatibility
IC301	BLUETOOTH MCU IC	BLUETOOTH controller
IC302	16Mbit FLASH ROM	FLASH ROM for BLUETOOTH MCU IC
IC303	128Mbit SDRAM IC	SDRAM for BLUETOOTH MCU IC
IC304	Fixed Current Limit Power Distribution Switch	Hihg side Switch For BLUETOOTH DONGLE
IC311	EEPROM	Memory
IC331	DAC IC	DAC for BLUETOOTH Audio
IC332	OP-AMP X 2	LPF for BLUETOOTH Audio
IC341	OP-AMP X 2	AMP for BLUETOOTH MIC
IC371	Regulator	1.8V Regulator
Q3311	Transistor	5.0V Regulator for DAC

## SECTION 3 DISASSEMBLY

### 3.1 Main body (Used model: DDX419)

#### 3.1.1 Removing the Panel unit (See Fig.1 to Fig.4)

- (1) Remove the 3 screws A attaching the Panel unit.

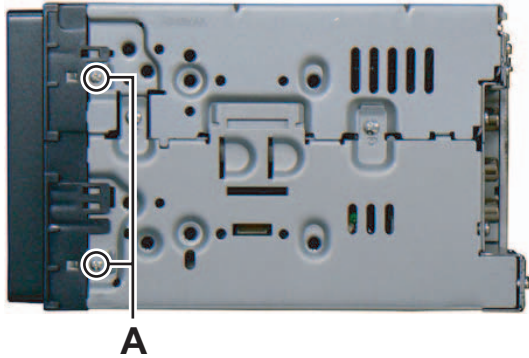


Fig.1

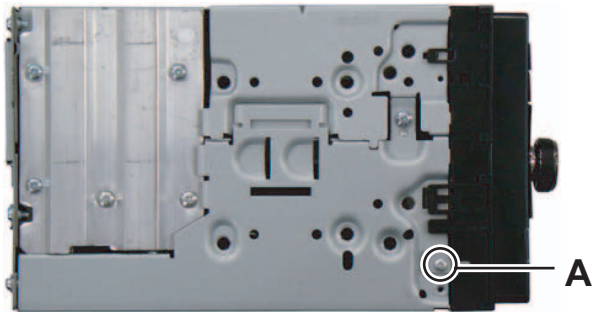


Fig.2

- (2) Remove the 6 hooks a attaching the Panel unit.

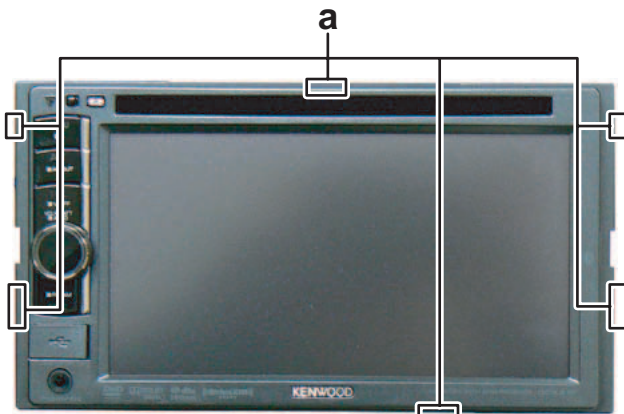


Fig.3

- (3) Disconnect the connector wire connected to connector [CN654](#) of the Panel-B unit.

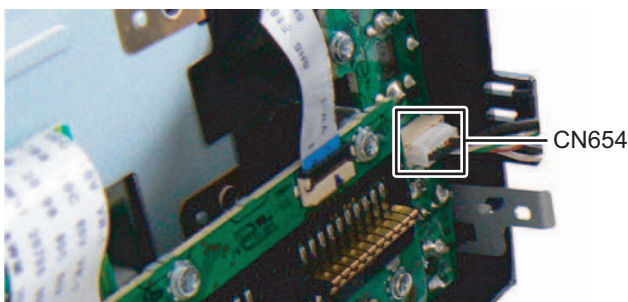


Fig.4

#### 3.1.2 Removing the Panel-B unit (See Fig.5)

- (1) Disconnect the FFC/FPC wires connected to connector [CN603](#), [CN604](#), [CN605](#), [CN605](#) of the Panel-B unit.  
 (2) Remove the 4 screws B attaching the Panel-B unit.

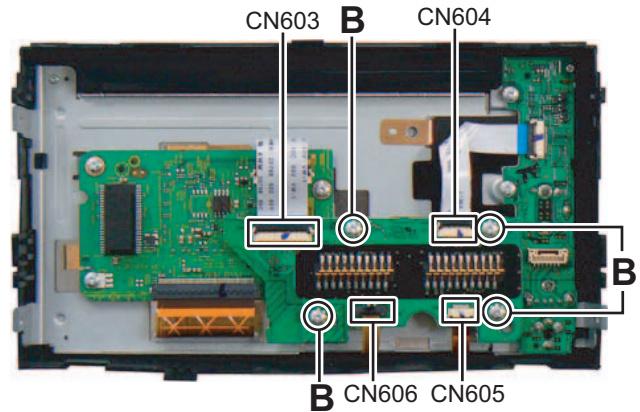


Fig.5

#### 3.1.3 Removing the Panel-A unit / Switch unit (See Fig.6)

- (1) Disconnect the FPC connected to connector [CN501](#) of the Panel-A unit.  
 (2) Remove the four screws C attaching the Panel-A unit.  
 (3) Remove the volume knob  
 (4) Remove the 3 screws D attaching the Switch unit.

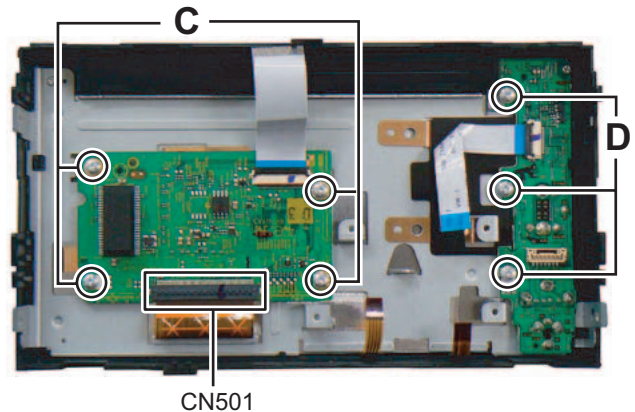


Fig.6

**3.1.4 Removing the DVD mechanism (See Fig.7 to 13)**

(1) Remove the 3 screws **E** and 2 screws **F** attaching the Heat sink.

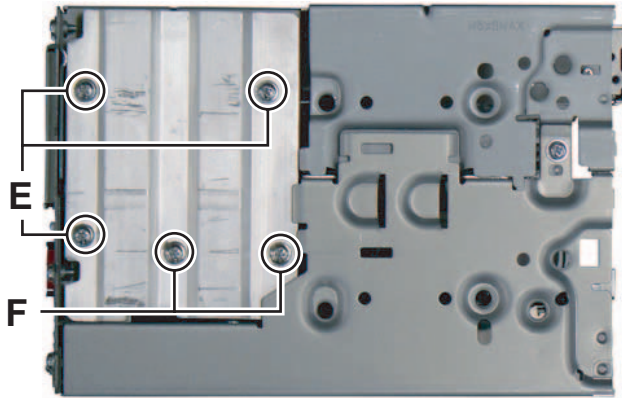


Fig.7

(2) Remove the 2 screws **G** and 2 screws **H** attaching the Rear heat sink

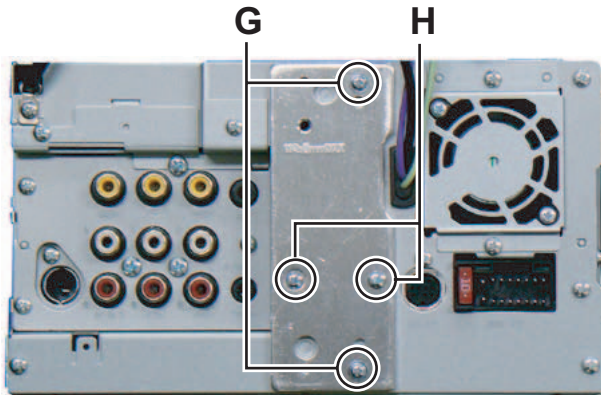


Fig.8

(3) Disconnect the FFC wire connected to connector **CN105** of the Main unit. (See Fig.9)

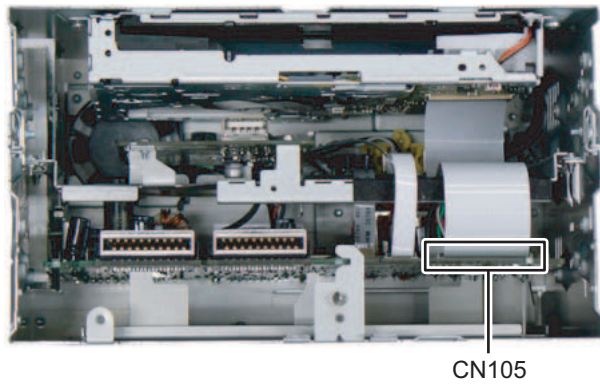


Fig.9

(4) Remove the 2 screws **J** attaching the Top chassis. (See Fig.10)

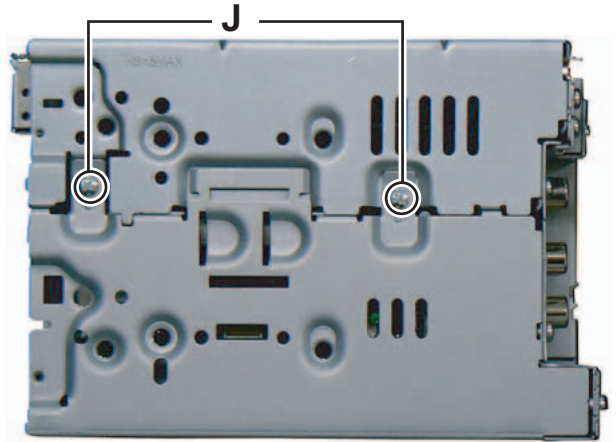


Fig.10

(5) Remove the 1 screw **K** attaching the Top chassis. (See Fig.11)

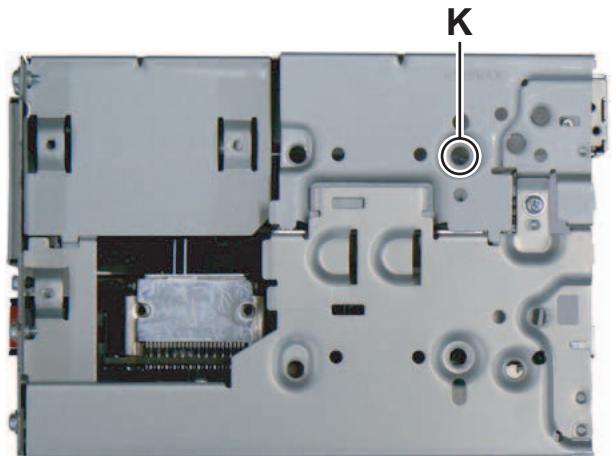


Fig.11

(6) Remove the 4 screws **L** attaching the Top chassis. (See Fig.12)

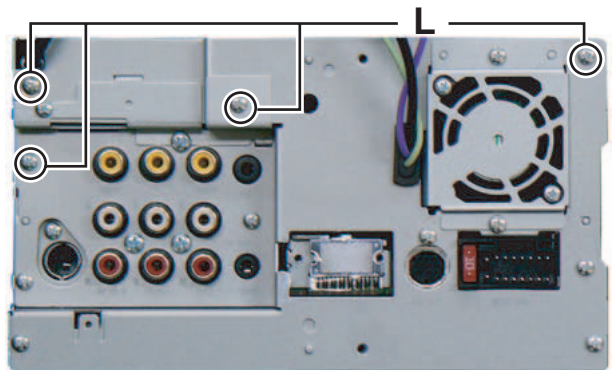


Fig.12

- (7) Remove the 3 screws **M** attaching the DVD mechanism.  
(See Fig.13)

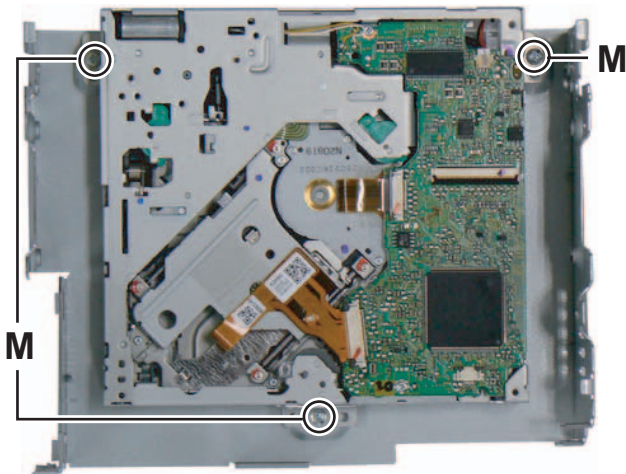


Fig.13

### 3.1.5 Removing the BT unit (See Fig.14)

- (1) Disconnect the FFC wire connected to connector [CN311](#) of the BT unit.
- (2) Disconnect connector wire connected to connector [CN341](#) of the BT unit.
- (3) Remove the 4 screws **N** attaching the BT unit.

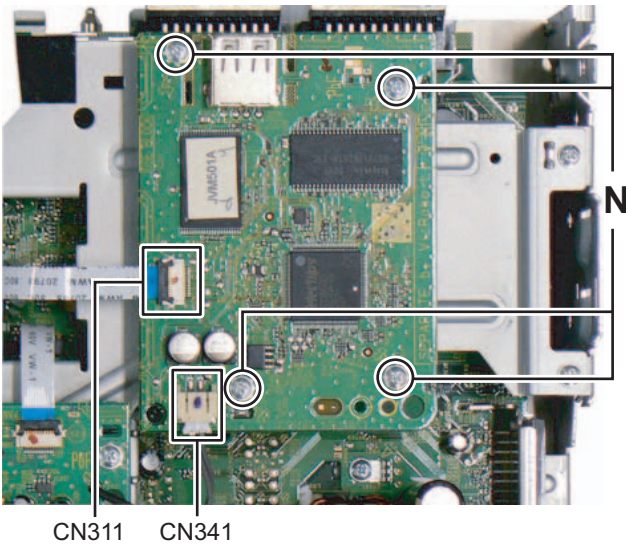


Fig.14

### 3.1.6 Removing the Sub unit (See Fig.15, 16)

- (1) Remove the 1 screw **P** attaching the Sub unit. (See Fig.15)

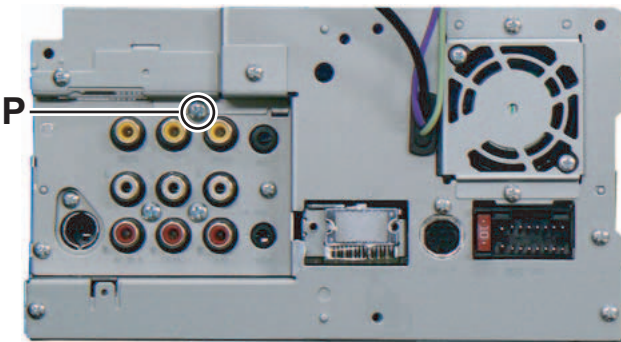


Fig.15

- (2) Disconnect the FFC wire from Main unit connected to connectors [CN201](#) and [CN202](#) of the Sub unit. (See Fig.16)
- (3) Disconnect the Car cable connected to connector [CN104](#) of the Main unit. (See Fig.16)
- (4) Disconnect the Car cable connected to connector [CN241](#) of the Sub unit. (See Fig.16)
- (5) Remove the 3 screws **Q** attaching the Sub unit. (See Fig.16)

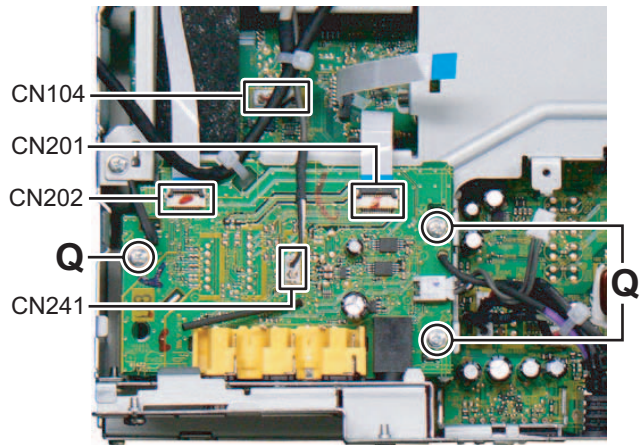


Fig.16

### 3.1.7 Removing the Rear panel (See Fig.17, 18)

- (1) Disconnect the connector wire connected to connector [CN101](#), [CN112](#) of the Main unit. (See Fig.17)

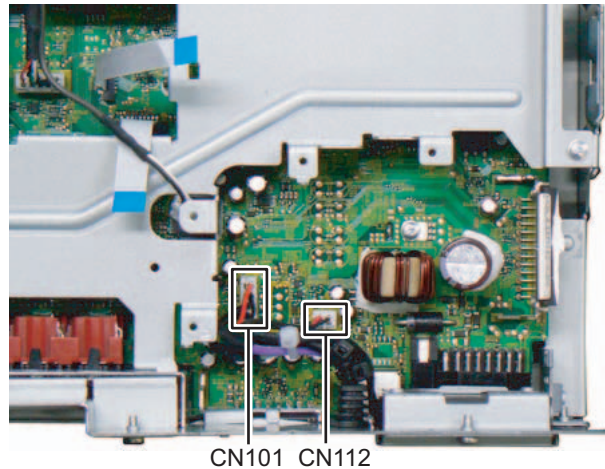


Fig.17

- (2) Remove the 6 screws **R** and 2 screws **S** attaching the Rear panel. (See Fig.18)

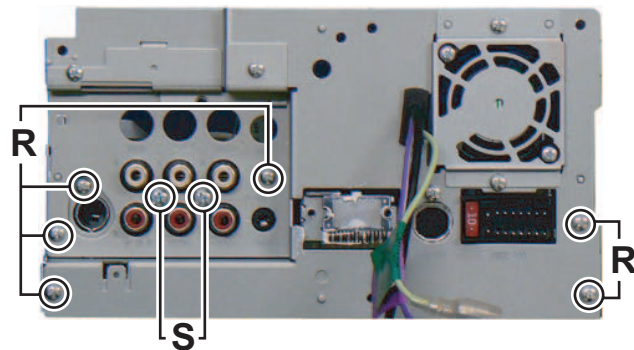


Fig.18



### 3.1.8 Removing the Center chassis (See Fig.19)

- (1) Remove the 4 screws T attaching the Center chassis.

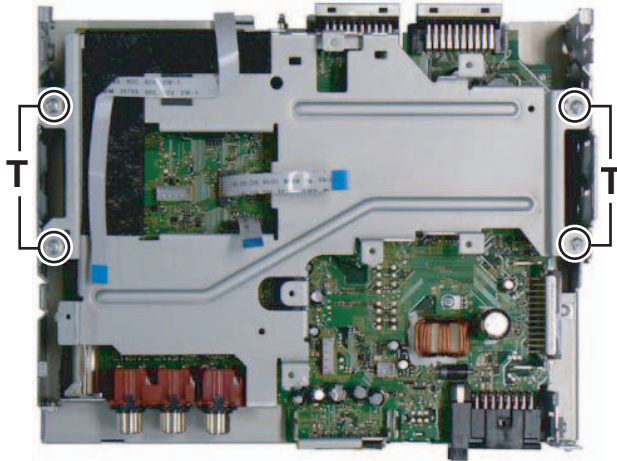


Fig.19

### 3.1.9 Removing the Main unit (See Fig.20)

- (1) Remove the 4 screws U attaching the Main unit.

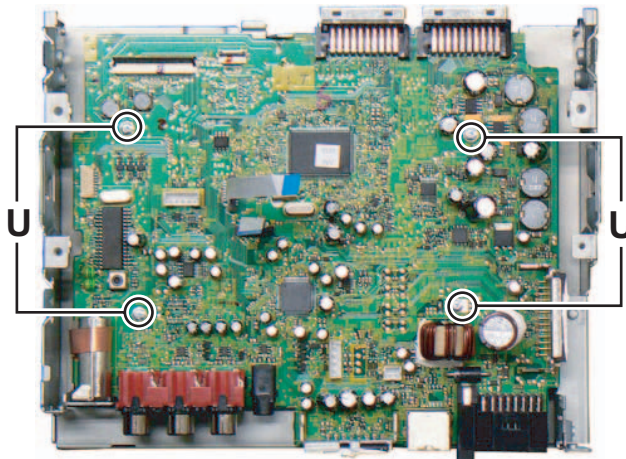


Fig.20

## 3.2 DVD mechanism

### 3.2.1 Removing the Traverse mechanism assembly (See Fig.1 to 6)

- (1) Solder the short land section on the flexible wire of pickup. (See Fig.1)

#### Caution:

\* Solder the short land section on the flexible wire of pickup before disconnecting the flexible wire from the connector [CN101](#) on the Front end board.

If the flexible wire is disconnected without attaching the solder, the pickup may be destroyed by static electricity.

\* When attaching the Traverse mechanism assembly, remove the solder from the short land section after connection the flexible wire to the connector [CN101](#) on the Front end board.

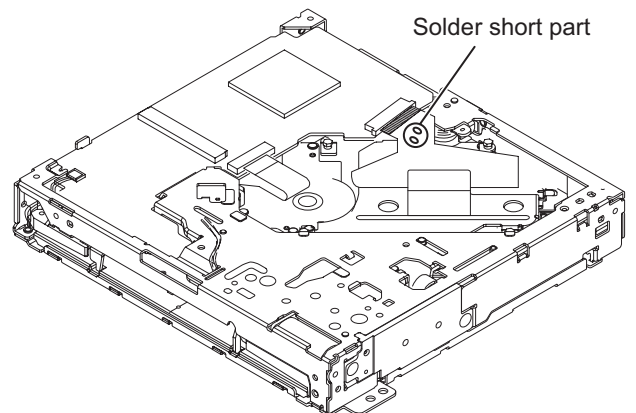


Fig.1

- (2) Voltage supply to [TP79](#) and [TP81](#) approx DC 3.0V until Clamper is shift to loading complete position. (See Fig.2)
- (3) Disconnect the flexible wires from Traverse mechanism assembly connected to connector [CN1](#) and [CN101](#) of the Front end board. (See Fig.2)

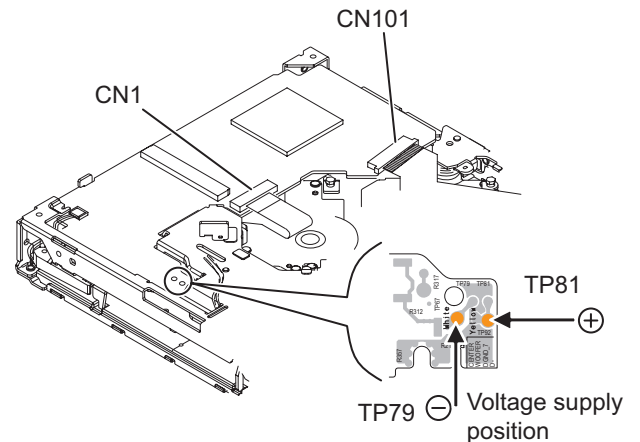


Fig.2

- (4) Remove the five screws **A** attaching the Top cover assembly.  
(See Fig.3)

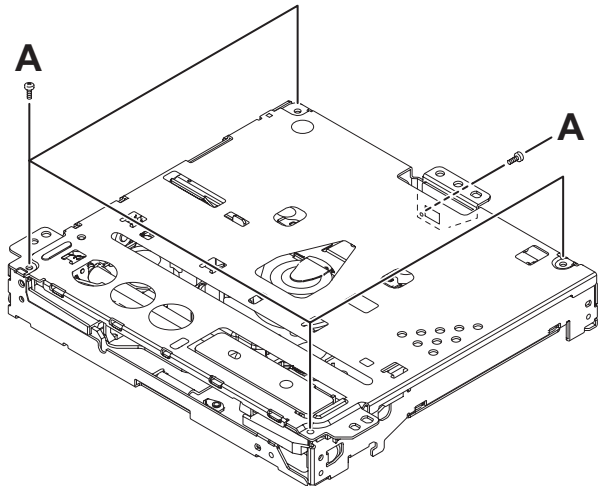


Fig.3

- (5) From the bottom side, disconnect the connector wire from Top cover assembly connected to connector **CN2** of the Front end board. (See Fig.4)

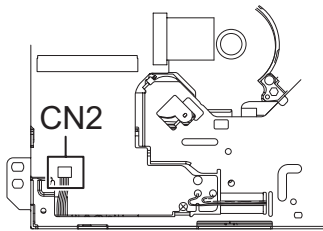


Fig.4

- (6) From the bottom side, remove the spring from Traverse mechanism assembly. (See Fig.5)

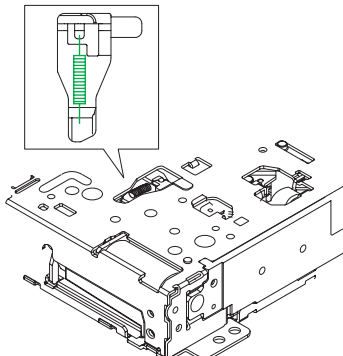


Fig.5

- (7) From the top side, pull up the traverse mechanism and disengage three dumper positions. (See Fig.6)

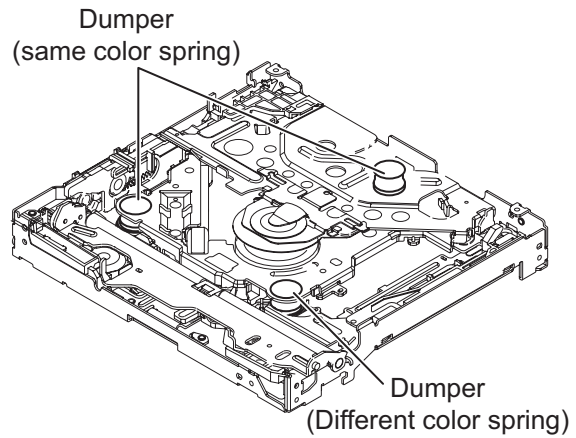


Fig.6

### 3.2.2 Removing the Front end board (See Fig.7)

- (1) Remove the Motor wires from loading motor soldered to **TP79** and **TP81** of the Front end board.
- (2) Remove the two screws **B** attaching the Front end board.

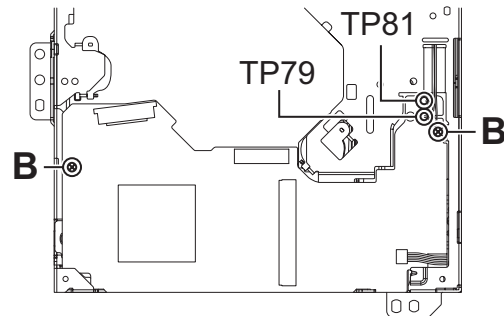


Fig.7

### 3.2.3 Removing the Loading arm assembly (See Fig.8)

- (1) Remove the Loading arm spring L from Loading arm assembly.
- (2) Slide to left side and then disengage hook a then hook b.

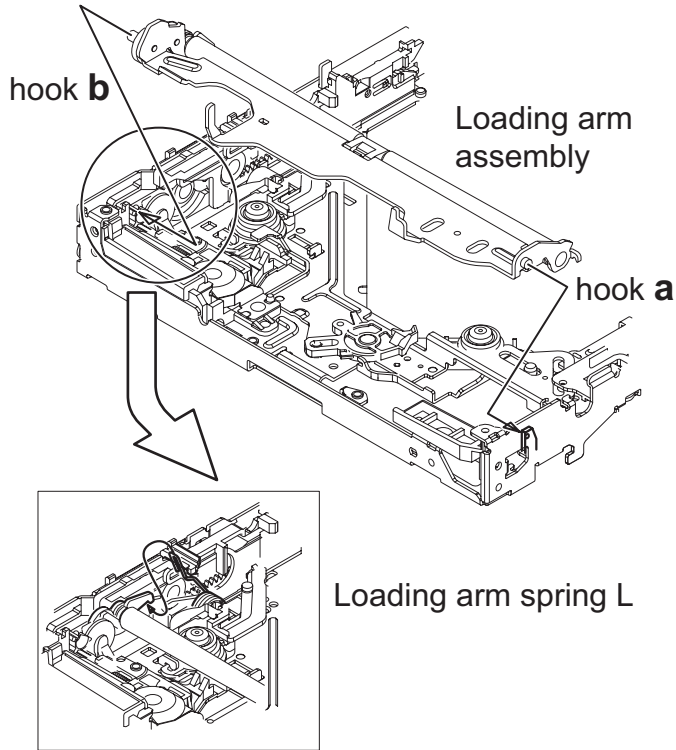


Fig.8

### 3.2.4 Removing the Gear base assembly (See Fig.9, 10)

- (1) Remove the Loading arm spring L. (See Fig.9)

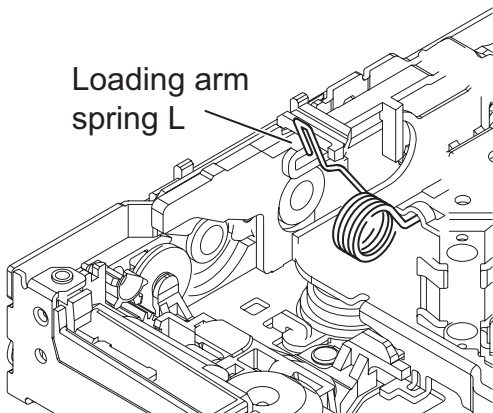


Fig.9

- (2) Remove the two screws C attaching the Gear base assembly. (See Fig.10)

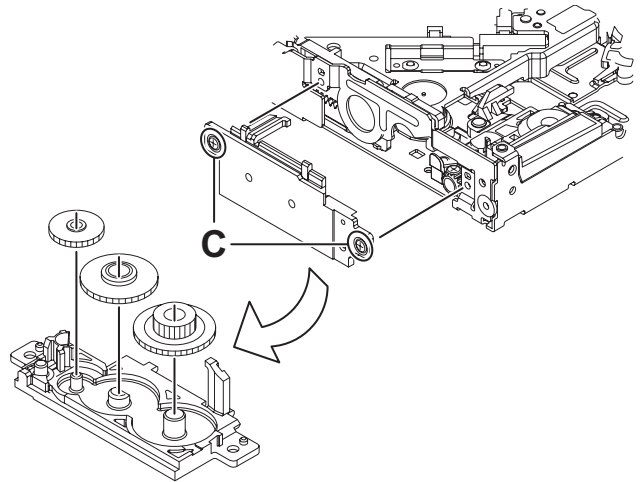


Fig.10

### 3.2.5 Removing the Loading arm holder. (See Fig.11)

- (1) Remove the two screws D attaching the Loading arm holder.
- (2) Remove the Loading arm spring R.

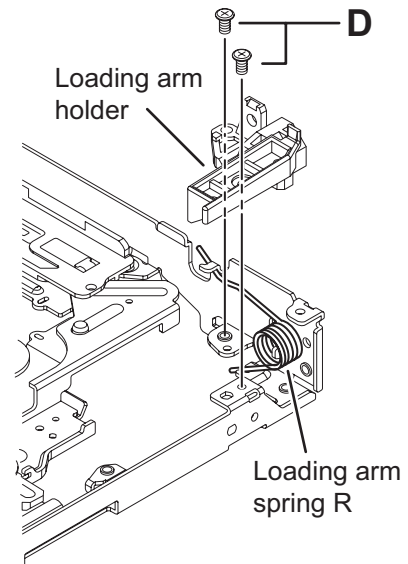


Fig.11

### 3.2.6 Removing the Loading motor assembly (See Fig.12)

- (1) Remove the three screws E attaching the Loading motor assembly.

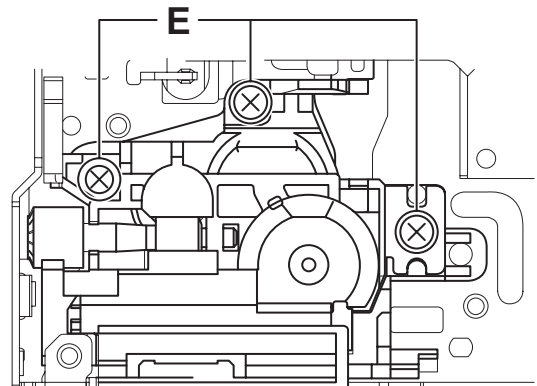


Fig.12

### 3.2.7 Removing the Slide cam assembly (See Fig.13)

- (1) Slide to backward the Slide cam assembly and the remove the Slide cam spring.
- (2) Slide to frontward the slide cam assembly, and then take out it.

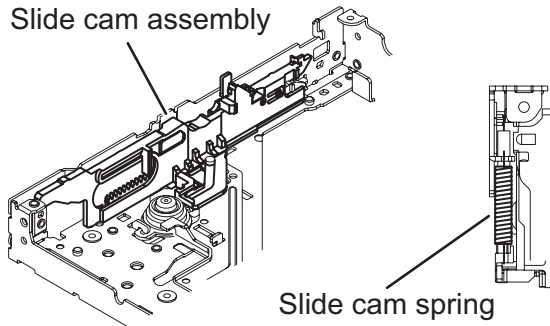


Fig.13

### 3.2.8 Removing the Photo board (See Fig.14)

- (1) Pressing the hook **c** and then slide to backward (slide to the arrow side) the Disc plate.
- (2) Remove the one screw **F** attaching the Photo board.

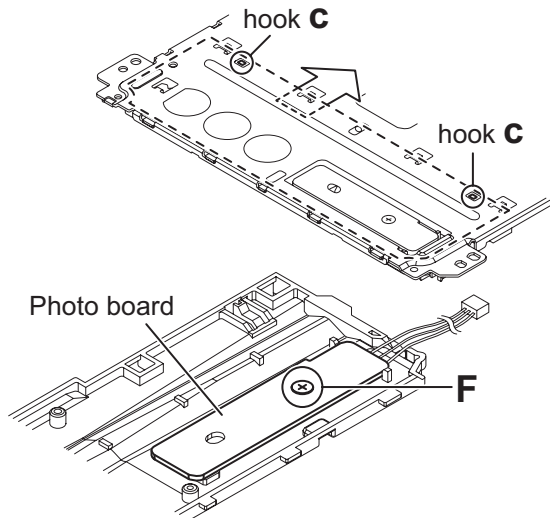


Fig.14

### 3.2.9 Removing the Loading motor (See Fig.15 to 18)

- (1) Remove the A wheel gear. (See Fig.15)

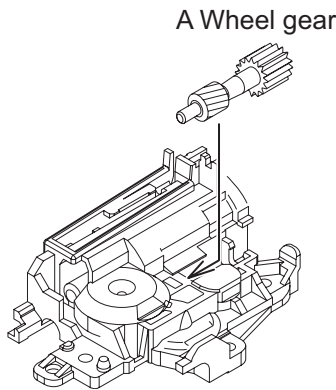


Fig.15

- (2) Remove the A worm gear, M connect gear and M wheel gear by sequentially. (See Fig.16)

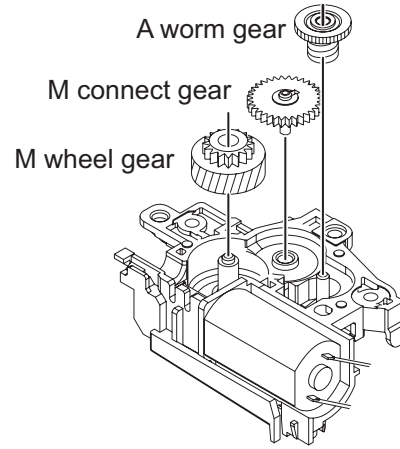


Fig.16

- (3) Remove the two screws **G** attaching the Loading motor. (See Fig.17)

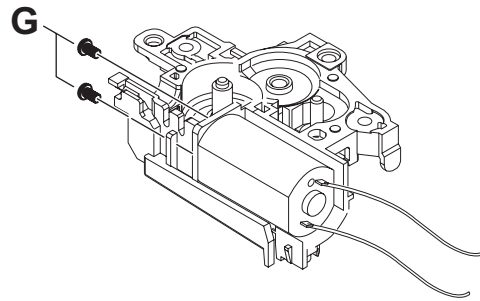


Fig.17

- (4) When attaching the Loading motor, motor wire should arrange to figure. (See Fig.18)

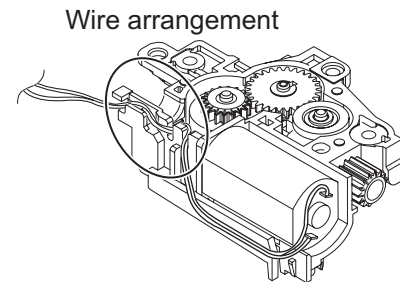


Fig.18

### 3.2.10 Removing the Roller assembly (See Fig.19)

- (1) Remove the Slit washer.
- (2) Remove the R middle gear.
- (3) Remove the R connect gear.
- (4) Snap off the part **a** of the Roller assembly.
- (5) Lift up the part **b** of the Roller assembly, and then release part **c** (When release part **c**, R collar R is easy to come off, does not lose it).

#### CAUTION:

When reattach the Roller assembly, Middle gear should keep direction and Slit washer should be change new part.

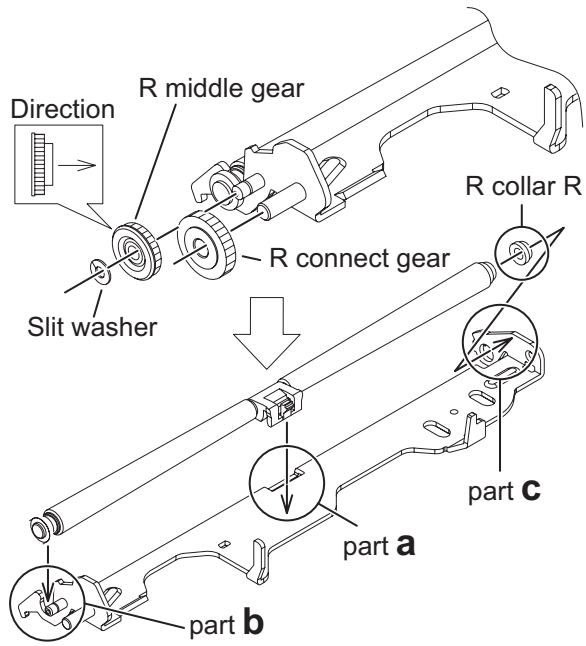


Fig.19

**3.2.11 Removing the Roller (See Fig.20)**

- (1) Remove the Slit washer.
- (2) Pull out the Roller shaft.

**CAUTION:**

When reattach the Roller shaft, Slit washer should be change new part.

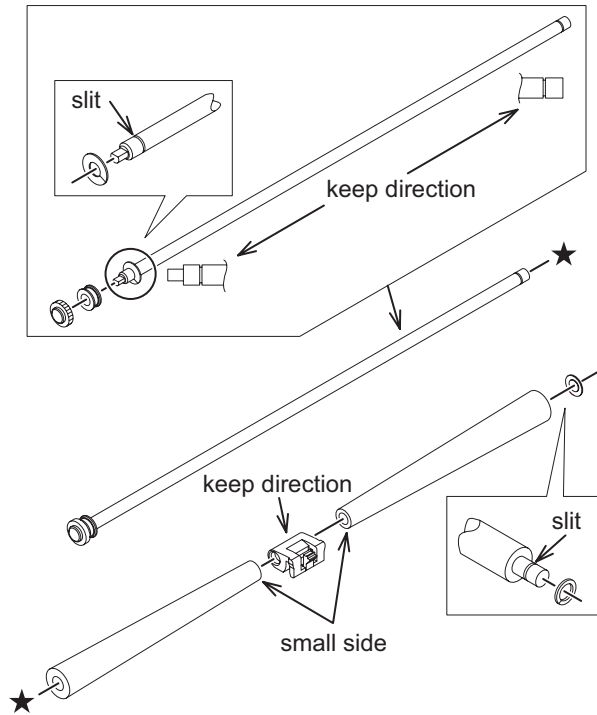


Fig.20

## SECTION 4 ADJUSTMENT

### 4.1 TEST MODE

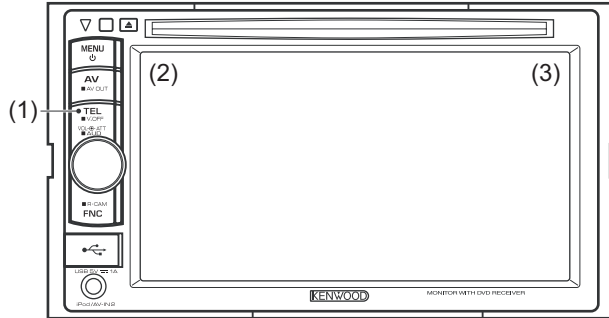
#### 4.1.1 List of special modes

Mode name	Description	Key used
Service mode	Mode used for service.	TEL/AUD + Upper left → Upper right
Production mode	Special operation mode for production line. Not used for service.	FNC + RST
SS mode	Special service mode entered from the production mode. Not used for service.	TEL/AUD + Upper right
OPENING CUSTOMIZE MODE (and) Setting Rewrite mode	Mode used by sales and retail. Overwrites the start-up screen with DISC/USB.	AV + FNC + RST
Forcefully cancel Security code	Supports the specification for entering code for forcefully canceling security using wireless remote controller when Security code is unknown (Used mainly by service).  * Can be input from any source or condition. * Can be input on Security Code input screen. * No time out is specified.	Wireless remote controller (AUD mode) 55222777
TUNER span switching	Switches TUNER frequency step/span.	EJECT + ATT + RST
Retailer mode ON	(1) When power ON, always start with DISC source (whether or not there is a DISC in the unit). * In all cases when the power supply is turned ON, including initial power ON, power OFF → ON, ACC OFF → ON, etc, DISC source come up first. (2) EJECT prohibited * Ejected only when [EJECT] key is pressed and held for 10 seconds. (3) Backup memory and installer memory will not function.	MENU + FNC + RST
Retailer mode OFF	Cancels the above special operation.	MENU + RST

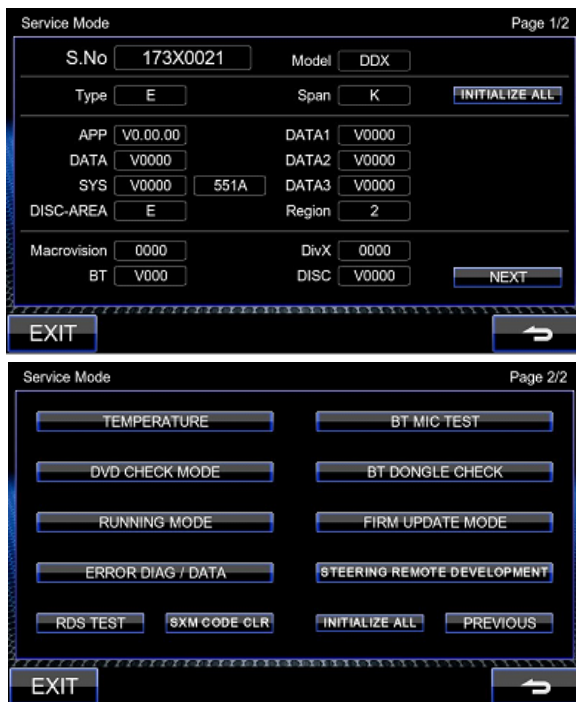
## 4.2 SERVICE MODE

### 4.2.1 Switching to service mode

- While pressing the [TEL] (1) key, within 0.5sec., touch upper left corner (2) of the touch panel, and then within 2 sec., touch upper right corner (3) of the touch panel.



### 4.2.2 Display specifications



Text	Description
S.NO	Serial number
Model	Model Information
Type	Destination information
Span *	Display of Span selection status for Tuner (displayed as K or M)
APP V*.***	Display of APP u-controller + design data version
DATA V****	Font data version display
SYS V**** ****	Display of system controller version and JVM number
DISC-Area	Area information on DISC mecha module
DATA1 V****	Display of opening data's version
DATA2 V****	Display of wallpaper data's version

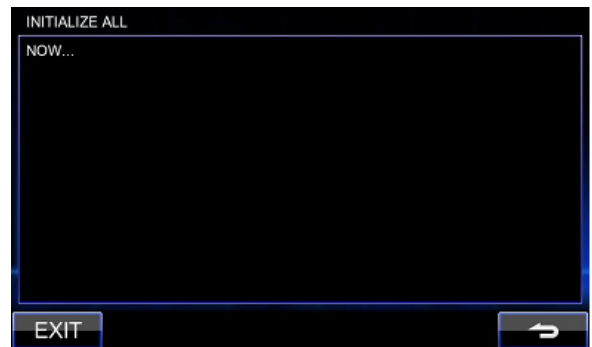
Text	Description
DATA3 V****	Display of steering remote control threshold version Displays the version number when threshold data is written using USB. For DOP models, display as follows as the fixed value is retained from the beginning. HONDA : KC MAZDA : KF MITSUBISHI : KG ISUZU : KJ NISSAN1 : KS1 NISSAN2 : KS2 TOYOTA : KL
region	Region code display
Macrovision ****	Macrovision version display
BT V***	BT module Firmware version display
DivX ****	DvX version display
DISC V****	DISC mecha module version display

Key	Action
NEXT	Switch from Page1 → 2
PREVIOUS	Switch from Page2 → 1
EXIT	Exit the service mode and return to the normal screen.

#### 4.2.2.1 INITIALIZE ALL

- Initialize backup memory, installer memory
- Initialize DISC module (Initialize to normal).
- Initialize Bluetooth module.
- Initialize user-captured wall paper area.  
Clear the user-captured area of APP u-com F. ROM and bring back to the default condition (all black).
- Do not clear touch panel adjustment data/ TUNER adjustment data/ TUNER span information/ serial number.

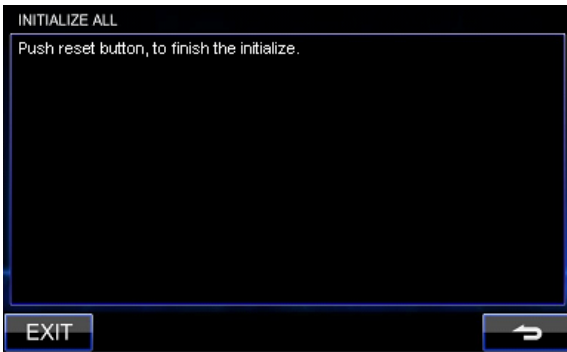
<While executing INITIALIZE>



**<When INITIALIZE completed normally>**

Below screen is retained and normal screen is not displayed.

- [BACK] / [EXIT] keys prohibited
- All keys including hard keys and remote controller keys are prohibited.



**<When INITIALIZE terminated abnormally>**

Determine error in each block of SYSTEM/ DISC/ BT.

- In case of Bluetooth, Initialize Error is also considered as abnormal termination

Discontinue process once NG is detected, and display the corresponding error as follows.

**NG SYSTEM:** Clearing of the unit set EEP (APP management and SYS management) terminated abnormally

**NG DISC:** Clearing of DISC module EEPROM terminated abnormally.

**NG BT:** BT module initialization terminated abnormally.

The below screen is retained until the [EXIT] key is pressed. When the [EXIT] key is pressed, normal screen is brought back.



**4.2.2.2 TEMPERATURE**

Displays DISC module temperature (displays in 3 digits).

Acquires data from the module and updates the display every 30 seconds, as is done in the normal operation mode.



**4.2.2.3 RUNNING MODE**

Refer to the "RUNNING MODE".

**4.2.2.4 DVD CHECK MODE**

When this mode is selected, reset DISC module and restart in Check Mode.

After restarting in Check Mode, transit to DVD CHECK MODE screen.

Refer to the "DVD CHECK MODE".

**4.2.2.5 ERROR/DIAG DATA**

Refer to the "ERROR READ".

**4.2.2.6 RDS TEST MODE**

Valid only with TUNER source.

When this mode is selected, operate TUNER in RDS execution mode.

In the display specifications required in the above files, only the 5 parameters, S-Meter, Noise, Multipath, Integrated noise, and tunnel are supported.

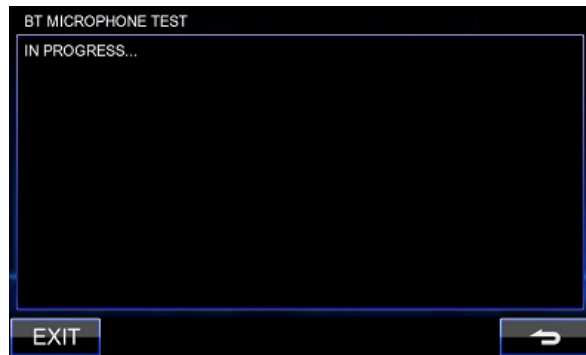
**4.2.2.7 BT MICROPHONE TEST**

The mode for confirming the normal operation of BT audio circuit by inputting audio from MIC and outputting from the speaker.

- Switch the audio selector to Bluetooth.
- Send Bluetooth Loopback START command to TCC.
- Send to TCC the command for setting Mic Gain, set at Gain 2 (fixed).

**<While executing MICROPHONE TEST>**

Retain the above screen until [EXIT] key or [BACK] key is pressed.

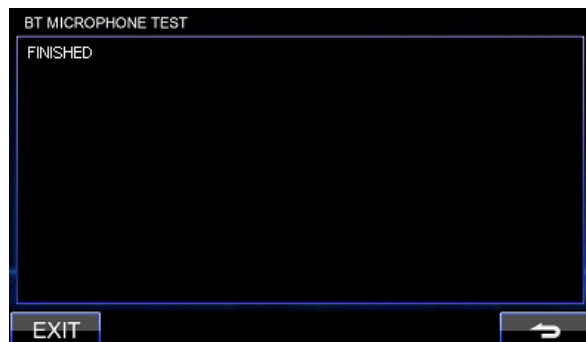


BACK ↓ EXIT

**<MICROPHONE TEST completed>**

This mode can be cleared only by turning the power OFF.

- [BACK] / [EXIT] keys prohibited





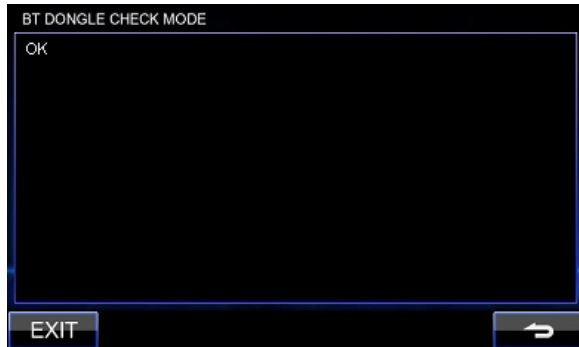
#### 4.2.2.8 BT DONGLE CHECK MODE

Mode for checking if the Telechips module USB terminal operates electrically normally.

- Test only after the BT dongle is inserted.

Upon moving to this mode, display the following after the BT dongle is correctly detected.

##### <OK display>

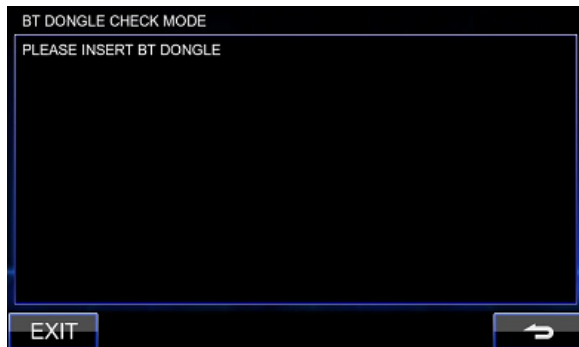


**[BACK]** key: Returns to the SS mode or service mode screen

**[EXIT]** key: Exits the SS mode or service mode

Display the following if the BT dongle cannot be correctly detected.

##### <NG display>



**[BACK]** key: Returns to the SS mode or service mode screen

**[EXIT]** key: Exits the SS mode or service mode

If the inserted BT dongle is inserted while the above NG screen is displayed, switch to the OK display.

#### 4.2.2.9 FIRM UPDATE MODE

Refer to the "FIRM UPDATE MODE selection screen".

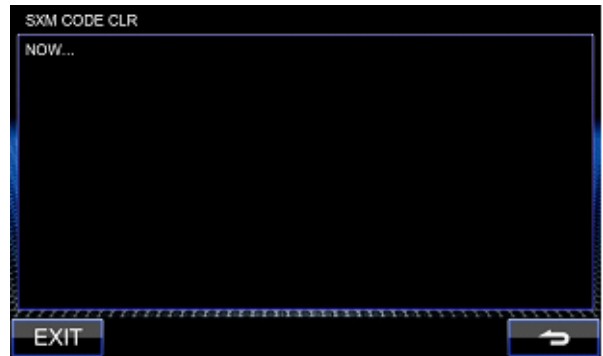
#### 4.2.2.10 STEERING REMOTE DEVELOPMENT

Refer to the "STEERING REMOTE DEVELOPMENT screen".

#### 4.2.2.11 SXM CODE CLR

Mode for clearing the Sirius XM parental code

Press the KEY to start the clearing process. The screen switches to the following view.



After the clearing process is complete, switch to the following screen.



**[BACK]** key: Returns to the SS mode or service mode screen

**[EXIT]** key: Exits the SS mode or service mode

#### 4.2.3 DVD CHECK MODE display specifications

Directly touch the item to select the operation.

**NORMAL PLAY:** Displays the currently selected item

**XXXX XXXX:** Displays the data acquired from the mecha module (4 bytes) as it is.



- DVD CHECK MODE is cleared by power OFF (Clear by ACC OFF/ BATTERY OFF/Detach).
- Immediately after moving to the DVD CHECK MODE, hide the display of all the above. Display the top 2 lines after an item is selected.
- 3rd line display: Display Arg 2,3,4,5 (HEX) of the command received from the module, in the following format.

X X X X    X X X X  
Arg2 Arg3    Arg4 Arg5

- (1) NORMAL PLAY  
Process test item [1] of the check mode specification  
2nd line display: NORMAL PLAY  
3rd line display: Available
- (2) EF OUT-TRACKING OFF  
Process test item [2] of the check mode specification  
2nd line display: EF OUT-TRACKING OFF  
3rd line display: Nil
- (3) EF IN-TRACKING OFF  
Process test item [3] of the check mode specification  
2nd line display: EF IN-TRACKING OFF  
3rd line display: Nil
- (4) CD-LASER ON  
Process test item [4] of the check mode specification  
2nd line display: CD-LASER ON  
3rd line display: Available
- (5) DVD-LASER ON  
Process test item [5] of the check mode specification  
2nd line display: DVD-LASER ON  
3rd line display: Available
- (6) DVDx1 JITTER MODE  
Process test item [6] of the check mode specification  
2nd line display: DVDx1 JITTER MODE  
3rd line display: Available
- (7) SEARCH & JITTER  
Process test item [10] of the check mode specification  
2nd line display: SEARCH & JITTER  
3rd line display: Available
- (8) MONITOR  
Process test item [11] of the check mode specification  
2nd line display: MONITOR  
3rd line display: Available
- (9) DVDx1 PLAY  
Process test item [12] of the check mode specification  
2nd line display: DVDx1 PLAY  
3rd line display: Available
- (10) STOP  
Process test item [13] of the check mode specification  
2nd line display: STOP  
3rd line display: Nil
- (11) EJECT  
Process test item [14] of the check mode specification  
2nd line display: EJECT  
3rd line display: Nil
- (12) LOAD  
Process test item [15] of the check mode specification  
2nd line display: LOAD  
3rd line display: Nil
- (13) SLEEP  
Process test item [16] of the check mode specification  
2nd line display: SLEEP  
3rd line display: Nil
- (14) EEPROM DATA OSD
  - Send "OSD display request command" (start EEPROM record data OSD display mode) to the DISC module.
  - When a remote control key command (CURSOR UP/DOWN/LEFT/RIGHT) is received while this item is selected, send CURSOR UP/DOWN/LEFT/RIGHT as it is to the DISC module.
  - After this item is selected, only POWER OFF is valid, and selection of items [1] to [13] will not be valid.  
(As DISC module does not guarantee normal operation after moving to this mode)
 2nd line display: EEPROM DATA OSD  
3rd line display: Nil

#### 4.2.4 RUNNING MODE display specifications

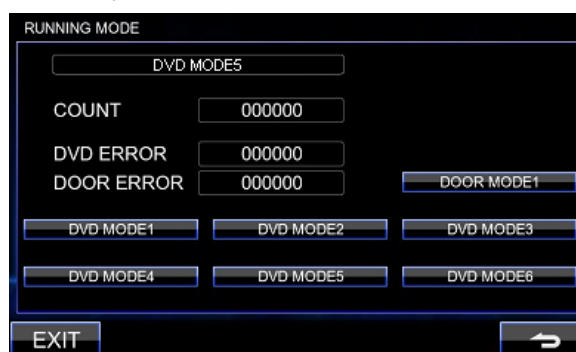
Directly touch the item to select the operation.

**DVD MODE5:** Displays the currently selected mode

**COUNT:** Counter display

**DVD ERROR:** Displays the error code for error in the DISC mecha (display as 000000 when there is no error)

**DOOR ERROR:** Displays the error code for error in the door mecha (display as 000000 when there is no error)



\*Immediately after moving to the RUNNING MODE, hide the display of all the above. Display the above items after an item is selected.

**[BACK] key:** Goes back to the service mode \*Only valid before selecting an item. Not valid after a selection is made.

#### Mode Cancel Key

- DOOR MODE can be canceled using the EJECT hard key.
- DVD MODE can be canceled using the Power Off hard key.

#### (1) DOOR MODE

Execute Door mecha running mode 1.  
(Not valid for models without door mecha.)  
2th line display: DOOR MODE 1  
3th line display: Display the number of runs in 6 digits.  
4th line display: No display  
5th line display: Display as "000000" when there is no door mecha error, display the door mecha error code when an error has occurred.

#### (2) DVD MODE 1 to DVD MODE 6

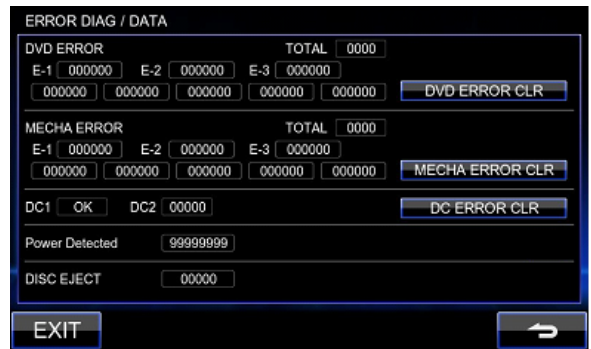
Execute DVD running mode 1 to 6.  
(Refer to the following DVD mechanism running mode list.)  
For models with door mecha, OPEN/CLOSE the door in sync with DISC LOAD/EJECT.  
2nd line display: DVD MODE 1-6  
3rd line display: Display Arg 5,6,7 (BCD) of the Unit request (running status) received from DISC module in 6 digits.  
4th line display: Display Arg 2,3,4 (HEX) of the Unit request (running status) received from DISC module in 6 digits.  
5th line display: Display as "000000" when there is no door mecha error, display the door mecha error code when an error has occurred. (No display for models without door mecha.)

(3) Running mode list

Mode	Operation in 1 cycle	Mechanism error	Disc error	Feed error	EE-PROM error
1	Loading → Eject → Wait 5 seconds	Stop	-		-
2	Loading → Eject → Wait 5 seconds	Retry	-		-
3	Loading → Play back → Eject → Wait 5 seconds	Stop	Stop	Stop	-
4	Inner circumference → Outer circumference → Inner circumference (seeking)	Stop	Stop	Stop	-
5	Loading → EE-PROM read → EE-PROM value check → Play back → Eject → EEPROM read → EEPROM write → Wait 5 seconds	Stop	Stop	Stop	Stop
6	Loading → EE-PROM read → EE-PROM value check → Play back → Eject → EEPROM read → EEPROM write → Wait 5 seconds	Stop	Stop	Stop	Stop

- Running mode 1 and 2 tests only loading and ejecting of disc.
- Running mode 4 does not include ejecting. 1 cycle consists of accessing outer circumference → accessing inner circumference.
- Running mode 3 tests disc loading, ejecting, and play back.
- Running modes 5 and 6 tests and checks disc loading, ejecting, play back, EEPROM operation.
- Mechanism error means an error at the time of loading and/or ejecting.
- Disc error is an error at the time of disc play back.
- Feed error is an error at the time of feed operation.
- EEPROM error is an error at the time of EEPROM operation.
- Stop at the time of error is the mode where the operation stops immediately after an occurrence of an error without retrying.
- Retry at the time of error is the mode where normal operation retry is executed after the initial error, and if the error persists, the operation stops.

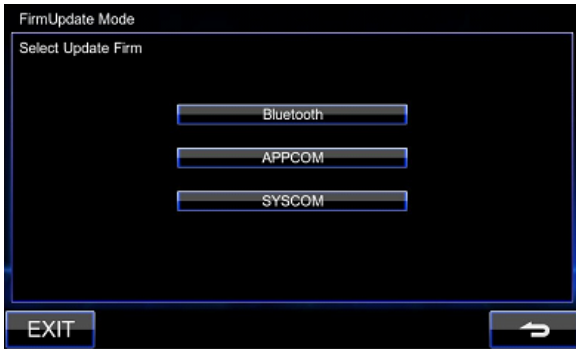
4.2.5 ERROR/DIAG DATA display and CLEAR screen



[BACK] key: Goes back to the service mode

- (1) DVD ERROR (DISC module error history)  
By DISC module communication, acquire total error count, the most recent 3 errors, initial 5 errors, and display them.
- (2) MECHA ERROR (door mechanism error history)  
Read total error count, the most recent 3 errors, initial 5 errors, and display them.
- (3) DC1 / DC2 (DC offset error history)  
Read whether or not there is a DC1 error, and DC2 error count, and display them.
- (4) DISC EJECT \*\*\*\* times  
By DISC module communication, acquire DISC EJECT count and display it.
- (5) [DVD ERROR/DISC EJECT CLR] key  
Clears the DVD ERROR history and DISC EJECT count. (Sends to DISC module EEPROM initialization command (also initializes error history).)  
→Goes back to the SERVICE MODE
- (6) [MECHA ERROR CLR] key  
Clears the door mechanism error history.  
→Goes back to the SERVICE MODE
- (7) [DC ERROR CLR] key  
Clears the DC1/2 error history.  
→Goes back to the SERVICE MODE

#### 4.2.6 FIRM UPDATE MODE selection screen



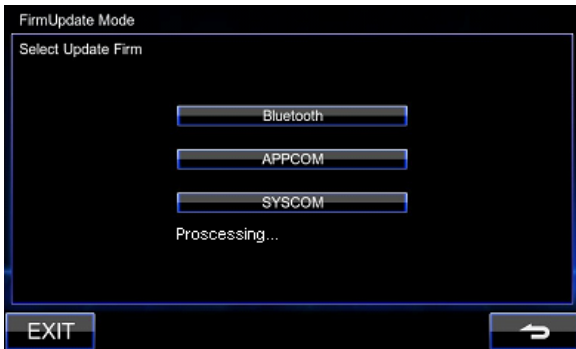
**[BACK] key:** Goes back to the SERVICE MODE

(1) **[SYSCOM] key**

Perform Update when a USB device containing the Update data is inserted.

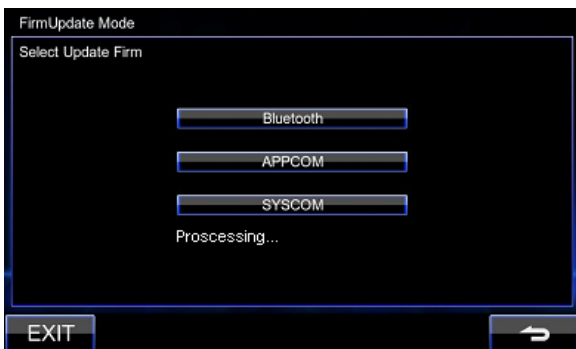
- Select a USB source before moving to the service mode.
- Beep sound is output while Update is in progress and when it is complete, so make sure a speaker is connected.

**<Display during Update (Image)>**



- Output beep sound at regular intervals while Update is in progress

**<Update Complete Display (Image)>**



\*Do not renew display after Update is complete. Alter the interval of beep sound to notify its completion.

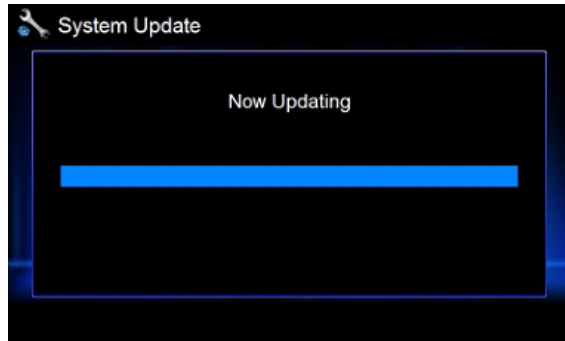
\*Press the Reset button after Update is complete to return to normal operation

(2) **[APPCOM] key**

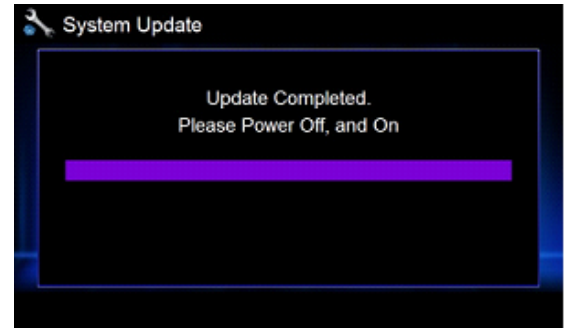
Perform Update when a USB device containing the Update data is inserted.

\*Select a USB source before moving to the service mode.

**<Display during Update (Image)>**

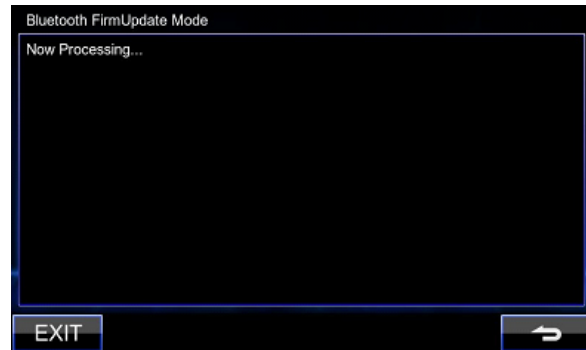


**<Update Complete Display (Image)>**



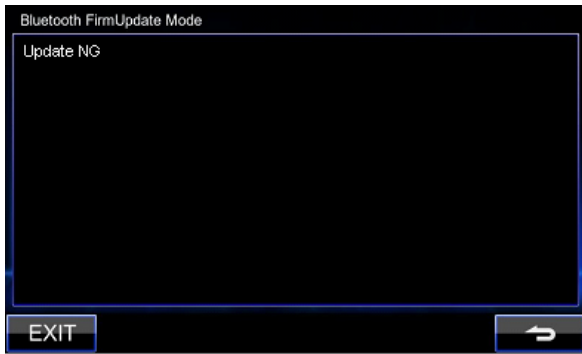
(3) **[Bluetooth] key**

- When a BT dongle is inserted in the Telechips USB terminal or when nothing is inserted →No transition of operation.
- When a USB memory is inserted in the Telechips USB terminal→Transit to the following screen, send [Play] key to the address USB, and allow reading of files in the USB memory.



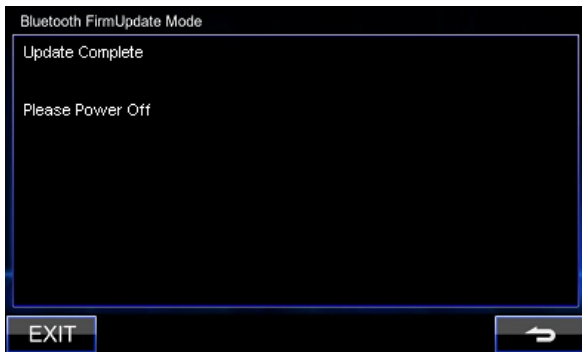
**[BACK] key:** invalid

- If update information (Update file in the ROOT folder) command is received, control thereafter follows the specifications of the module.
- If USB file information command is received, it is considered that Update data was not acknowledged and the following screen is displayed.
- Or, the same screen is displayed when update information (update error) is received.



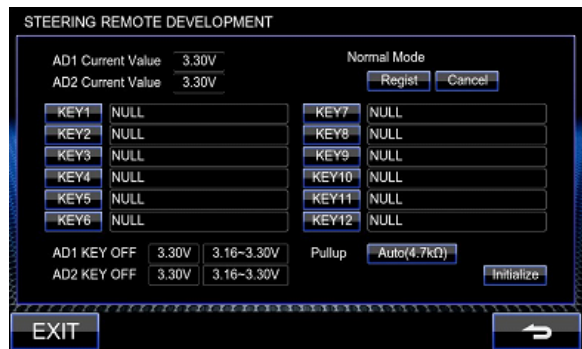
[BACK] key: invalid

- The following screen is displayed when update information (update successful) is received.



[BACK] key: invalid

#### 4.2.7 STEERING REMOTE DEVELOPMENT screen

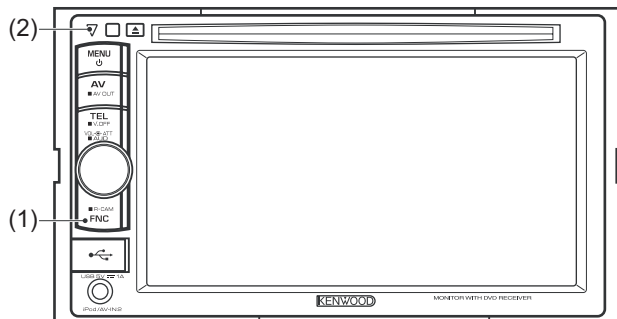


[BACK] key: Goes back to the SERVICE MODE

### 4.3 Production mode

#### 4.3.1 Key operation when going into production mode

Press and hold the [FNC] key (1) and press the [RESET] key (2).



#### 4.3.2 Display, operation setting, and special key operation in production mode

##### 4.3.2.1 Display in production mode

In order to allow the operator acknowledge that they are in the production mode, "Production Mode" POPUP is constantly displayed.

##### <Display/Hide Conditions>

**Display:** GUI control screen, video screen <including Control, Menu Control>

**Hide:** Setup screen, MODE screen, Test Mode screen <SS, Service>

##### 4.3.2.2 Initial setting in production mode

Item	Production mode	Normal mode
Volume initial value	→	15(-34dB)
Volume maximum value	33(-10dB)	35(0dB)
FAN control	Always ON	ON/OFF *1
DISC module image output	NTSC	NTSC/PAL
SETUP > BEEP	OFF *3	ON *2
SETUP > CAMERA INPUT	ON *3	ON *2
SETUP > Audio > Fad/Bal	→	CENTER
SETUP > Audio > Vol Adjust	→	0 (all sources)
SETUP > Audio > HPF Front	→	Through
SETUP > Audio > HPF Rear	→	Through
SETUP > Audio > LPF	→	Through
SETUP > Audio > SW Level	→	0
SETUP > Audio > SW Phase	→	Normal
SETUP > Audio > Loudness	OFF	ON
SETUP > Audio > Equalizer	→	Natural
SETUP > Audio > Speaker Select	→	Standard
SETUP > Audio > Subwoofer	→	ON
SETUP > INPUT > AV-INPUT	AV-IN	AV-IN/iPod (Depending on the destination)
AV-OUT	DVD	OFF

\*1: FAN is On at all times even during normal operation.

\*2: Depends on the Back UP memory.

\*3: Discards the Back UP memory and performs setting forcibly.

##### 4.3.2.3 Special key operation in production mode only (invalid in normal mode)

[TEL] key + [Touch panel upper right corner] (Press twice) Transit to SS mode.

##### 4.3.2.4 Protection when production mode is continued

If the production mode continues for 30 minutes, the unit turns its power OFF, and power ON is disabled until reset.

### 4.3.3 Clearing the production mode

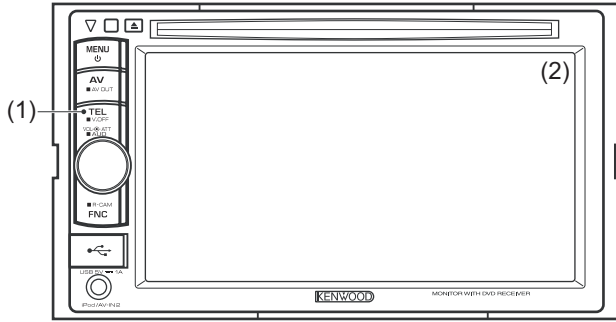
- Power OFF by the [POWER] key
- Power OFF by ACC OFF
- Power OFF by battery OFF
- Power OFF by detach detection

Clear the production mode by one of the 4 options above and return to the normal mode.

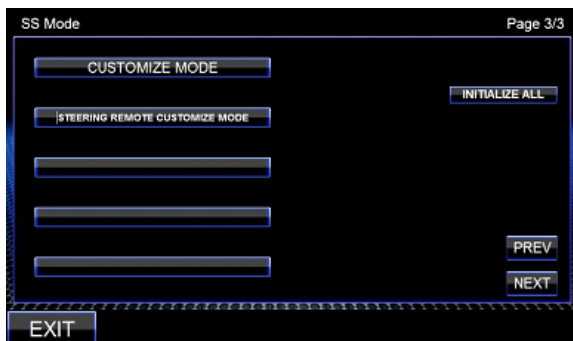
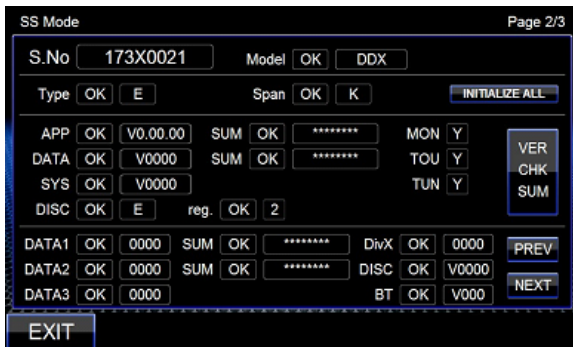
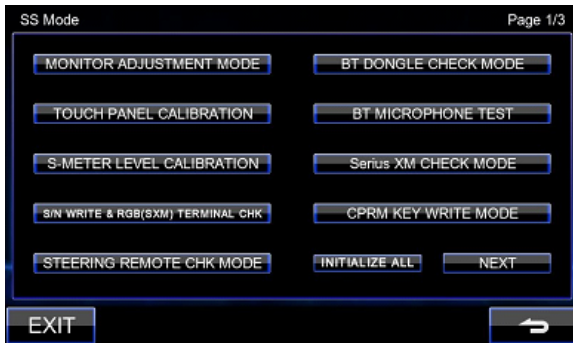
### 4.4 SS mode

#### 4.4.1 Switching to SS mode

Press and hold the [TEL] key (1) and, within 0.5 sec., touch the upper right corner (2) of the touch panel.



#### 4.4.2 Display specifications



When any of the above SS mode screens is displayed (Page 1/3, 2/3, 3/3), set the audio selector to MUTE (equivalent to Stand-by source).

Upon exiting the SS mode to return to the normal mode, restore the audio selector to the original source.

Text	Description
SYS V ****	Display of system controller version
APP V *****	Display of APP micro-controller + design data version
DATA V ****	Display of Font data version
DISC V ****	Display of DISC mecha module's version
DivX ****	Display of DivX version
BT V ***	Display of BT module's firmware version
Span *	Display of Span selection status of Tuner. Display as K or M. *For areas that do not support Span selection, display as "-".
Type	Area information
Model	Model information
DISC-AREA	Area information of DISC mecha module
reg.	Region code
Ok Display for All Items Above	When APP & DATA CHKSUM is executed, check against data in USB, and display OK or NG. *Not displayed if it is not executed. *Display NG in red.
TUN : Y or N	Display the SmeterLevelOffset adjustment status of Tuner. Y: adjustment complete, N: not adjusted. *Display N in red.
MON : Y or N	Display status of monitor adjustment by production line. Y: adjustment complete, N: not adjusted. *Display N in red.
TOU : Y or N	Display status of touch panel adjustment by production line. Y: adjustment complete, N: not adjusted. *Display N in red.
SUM OK *****	Display APP micro-controller program area's sum and check sum results. Check sum OK or NG. *Display NG in red.
SUM OK *****	Display APP micro-controller design data area's sum and check sum results. Check sum OK or NG. *Display NG in red.
S.NO	Serial number. Not written: ----- Models that do not support serial numbers: None *Display "-----" in red.
DATA1 V****	Display of opening data's version
DATA2 V****	Display of wallpaper data's version
DATA3 V****	Display of steering remote control threshold version Displays the version number when threshold data is written using USB. For DOP models, display as follows as the fixed value is retained from the beginning. HONDA : KC MAZDA : KF MITSUBISHI : KG ISUZU : KJ NISSAN1 : KS1 NISSAN2 : KS2 TOYOTA : KL

Key	Action
NEXT	Switch from 1→2, switch from Page2→3
PREVIOUS	Switch from Page2→1, switch from Page3→2
EXIT	Exit the SS mode and return to the normal screen

#### 4.4.2.1 INITIALIZE ALL

Same as in SERVICE MODE.

#### 4.4.2.2 S/N WRITE & RGB(SXM) TERMINAL CHK

Mode for writing serial number.

In this mode, in order to also check electricity of all terminals of RGB connector, video and audio selectors are fixed to RGB terminal.

- (1) When this mode is selected, carry out the following processes.
  - Configure the NAVI communication terminal's serial setting to the setting for serial writing.
  - Set the video selector to RGB input.
  - Set the audio selector to NAVI.

The display is switched to RGB and the image input from the jig is displayed.

\*The operator knows, by seeing the image switched, the set is ready for serial writing.

- (2) From hereafter, communication with the jig does not update the display.  
Display on the jig application indicates the status.
- (3) When received from the jig "request for ending serial writing mode", follow the process below.
  - Set the NAVI communication terminal's serial setting back to the normal operation setting.
  - Set the video selector back to the original setting.
  - Set the audio selector back to the original setting.
  - Switch the display to the following GUI display.  
Read the serial number written in and display in the following screen.



#### 4.4.2.3 S/N WRITE & RGB(SXM) TERMINAL CHK

Mode for writing serial number.

As this mode is also used for performing electrical check of all terminals of Sxi connectors, fix the audio selector to the Sxi terminal side.

\*General Sxi operation is not guaranteed after this mode is selected.

- (1) When this mode is selected, carry out the following processes.
  - Set Sxi serial terminal setting to that for writing Serial No.
  - Set POWER\_EN terminal to Low output.
  - Set audio selector to the Sxi side.

- Set video selector to the RGB input side. (This is consequently set to the mecha side since there is no RGB input.)

Since there is no RGB input in this case, display switches consequently to the mecha side to display video input from mecha.

\*The operator knows, by seeing the image switched, the set is ready for serial writing.

- (2) From hereafter, communication with the jig does not update the display.  
Display on the jig application indicates the status.
- (3) When received from the jig "request for ending serial writing mode", follow the process below.
  - Set the NAVI communication terminal's serial setting back to the normal operation setting.
  - Set POWER\_EN terminal to High output.
  - Set the audio selector back to the original setting.
  - Switch the display to the following GUI display. (Read the serial number written in and display in the following screen.)



#### 4.4.2.4 MONITOR ADJUSTMENT MODE

Mode for adjusting the image quality on the production line.

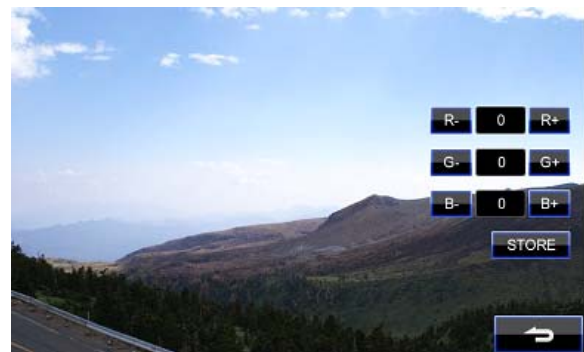
Display the following.

In this case, regardless of the current source, set Video selector to AV-IN (external input), and display the external input video in the background.

(This is for adjustment by inputting composite signal in a white image from an external pattern generator.)

Restore the Video selector to the original state when exiting this adjustment mode.

- As adjustment is performed while pressing the sensor of the measuring instrument against the center of the monitor, display the adjustment button and STORE button on the Aright side of the screen.



Adjustment items are only 3 items, Drive R/G/B only, and pressing the STORE button writes the adjustment value into F. ROM.

#### 4.4.2.5 BT MICROPHONE TEST

Same as in SERVICE MODE.

#### 4.4.2.6 BT DONGLE CHECK MODE

Same as in SERVICE MODE.

#### 4.4.2.7 S-METER LEVEL CALIBRATION

Refer to the "SMETER LEVEL CALIBRATION".

#### 4.4.2.8 TOUCH PANEL CALIBRATION

Refer to the "TOUCH PANEL CALIBRATION (Touch adjustment, offset (GRAPHIC) VGA)"

#### 4.4.2.9 VER/CHECK SUM

Performs check on the version number of each micro-controller/data and the SUM value of the APP program area/DATA area. Select this item after inserting a USB device containing the check data for all of the above.

##### (1) Version Number Check

Determines whether the version number retained within the set is consistent with that read from the USB device.

If the version number is consistent, display "OK" to the left of the version display. If it is not consistent, display "NG".

Perform version check on all items on SS Mode Page2/3 marked with "OK".

**OK:** V1.00.00 Consistent

**NG:** V1.00.00 Not consistent

V1.00.00 Not checked

##### (2) SUM Value Check

Calculate the SUM value for each of the APP program area and DATA area, and determine whether they are consistent with the SUM value read from the USB device.

If the value is consistent, display OK + SUM value. If it is not consistent, display NG + SUM value.

\*Exclude DATA area for DOP (DATA1, DATA2, DATA3) from SUM calculation.

##### <CHKSUM OK>

ASUM OK \*\*\*\*\* (SUM value 4 bytes) ← Upper line shows CHKSUM result of program area

DSUM OK \*\*\*\*\* (SUM value 4 bytes) ← Lower line shows CHKSUM result of DATA area

##### <CHKSUM NG (NG only for Data Area)>

ASUM OK \*\*\*\*\* (SUM value 4 bytes) ← Upper line shows CHKSUM result of program area

DSUM NG \*\*\*\*\* (SUM value 4 bytes) ← Lower line shows CHKSUM result of DATA area

##### <Not Calculated>

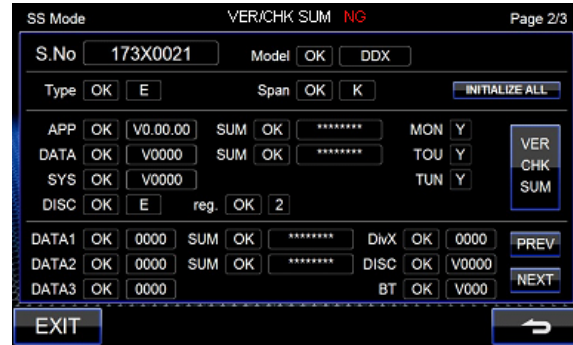
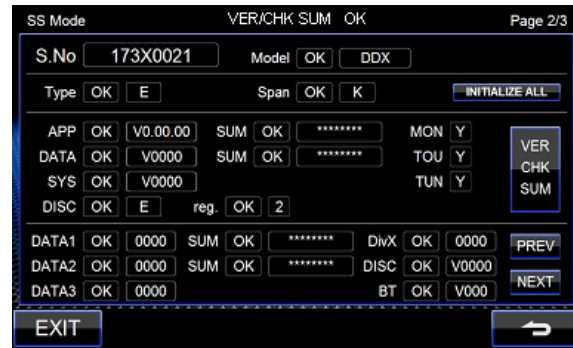
ASUM

DSUM

##### (3) TOTAL Assessment

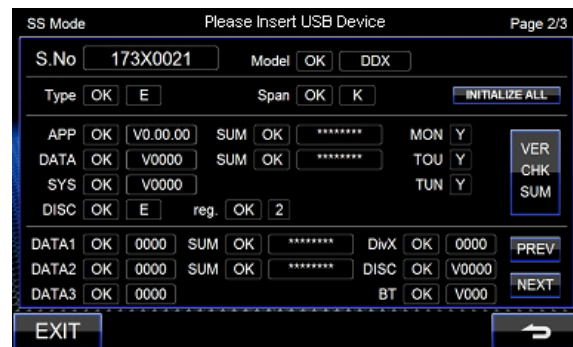
Display TOTAL as OK only if all version checks and SUM values are OK, and all monitor adjustment, touch panel adjustment, and S meter adjustment are complete.

Display as NG if any one of these is NG.



##### (4) When USB device is not inserted

Display the following if a USB device is not detected when this item is selected.



#### 4.4.2.10 STEERING REMOTE CHK MODE

Performs voltage check on the Steering Remote terminal.

#### 4.4.2.11 Sirius XM CHECK MODE

Mode for checking the Sirius XM terminal.

#### 4.4.2.12 CUSTOMIZE MODE

Mode for customizing for DOP at the production line.

Performs Update when a USB device containing data for rewriting is inserted.

Data subject to rewriting is as follows.

- Opening image
- Wallpaper image

#### 4.4.2.13 STEERING REMOTE CUSTOMIZE MODE

Mode for customizing for DOP at the production line.

Performs Update when a USB device containing data for rewriting is inserted.

Data subject to rewriting is as follows.

- Steering remote control threshold (by manufacturer)

#### 4.5 SMETER LEVEL CALIBRATION

Transit to the following screen display and calibrate S.METER level offset.



There are 2 types of modes: AUTO calibration mode and MANUAL calibration mode. If SMETER LEVEL CALIBRATION item is selected, the AUTO calibration mode is always selected.

For the LEVEL OFFSET value, display the previous adjustment value after entering this item.

- When ending automatic level offset adjustment, send "TEST MODE Level offset mode abort" via the local transmission TUNER CONTROL KEY.

**S.METER:** Displays S meter's instantaneous value at the "00" position (display in 2 HEX digits)

**LEVEL OFFSET:** Displays LEVEL OFFSET value at the "00" position (display in 2 HEX digits)

**Freq.:** Current frequency display

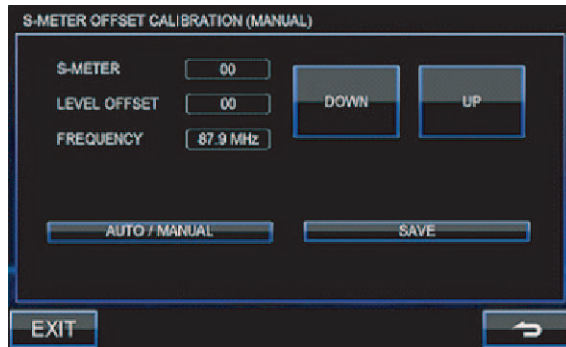
**STANDBY:** Displays the adjustment status. (Not displayed during MANUAL.)

**On standby:** "STANDBY"

**Adjusting:** "IN PROGRESS..."

**Ended successfully:** "OK"

**Aborted:** "NG"



**[BACK] key:** Exits this mode and returns to the SS MODE screen

**[EXIT] key:** Exits this mode and returns to the normal screen (SS mode is also canceled)

(1) AUTO/MANUAL

Select whether to calibrate level offset by AUTO or MANUAL.

If the 1st line item is AUTO, "(AUTO)" is displayed after "S.METER LEVEL OFFSET CALIBRATION", and if the 1st line item is MANUAL, then "(MANUAL)" is displayed after "S.METER LEVEL OFFSET CALIBRATION".

(2) AUTO START

Displayed only if AUTO calibration is selected in 1. Press this key to start level offset auto-calibration.

[Additional Information]

SSG setting when AUTO calibrating

- Frequency: FM 98.3MHz

- Modulation : Off
- Output: 35dBμV

With the above setting made, connect SSG to the set, and start calibration by the [AUTO START] key.

\*RDS SSG does not need to be connected.

If NG, slightly change output (dBμV) and start calibration again.

(3) UP

Displayed only if MANUAL calibration is selected in 1. Press this key to manually calibrate level offset value.

(4) DOWN

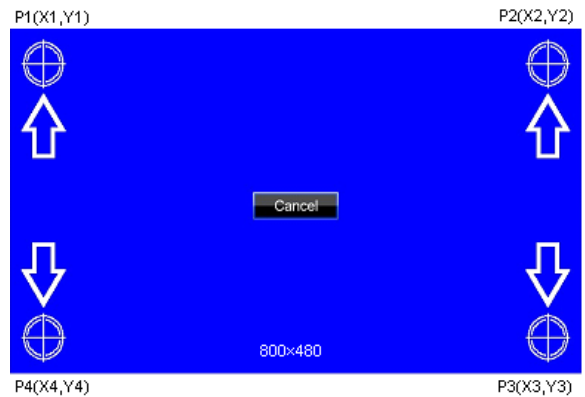
Displayed only if MANUAL calibration is selected in 1. Press this key to manually calibrate level offset value.

(5) SAVE

Displayed only if MANUAL calibration is selected in 1. Save the level offset value calibrated in 3 and 4

**4.6 TOUCH PANEL CALIBRATION (Touch adjustment, offset (GRAPHIC) VGA)**

Define the coordinates used in this sheet.



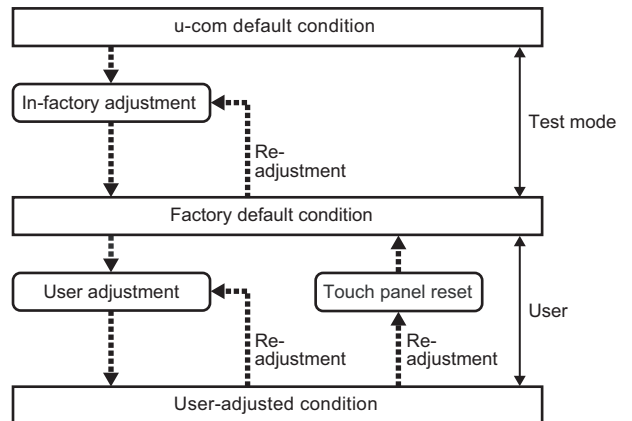
**4.6.1 Touch adjustment (TOUCH ADJUST)**

The 4 points on the screen, P1 (X1,Y1), P2 (X2,Y2), P3 (X3,Y3), P4 (X4,Y4) are the coordinate values (voltage values) actually read by touch adjustment.

The points shown on the adjustment screen have 2 dots, one for X and one for Y coordinate.

In normal mode touch adjustment, P2 and P4 coordinates are acquired. In test mode touch adjustment, coordinates of P1 to P4 are acquired (The reference point is lower left, whose coordinate value shall be (1,1)).

**4.6.2 Touch panel ADJUST specifications**

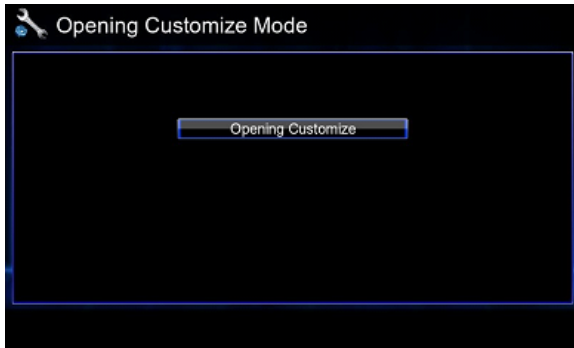


**Note 1:** In normal mode touch adjustment, "RESET" on the touch adjustment screen resumes the data touchadjusted in the test mode.

**Note2:** Factory default adjustment should be cleared, and re-adjustment is enabled.

**Note3:** Users cannot RESET the factory default condition.

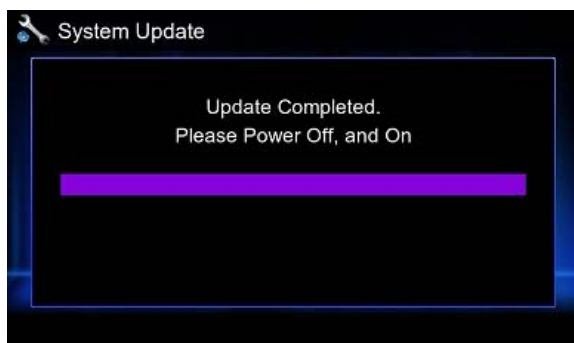
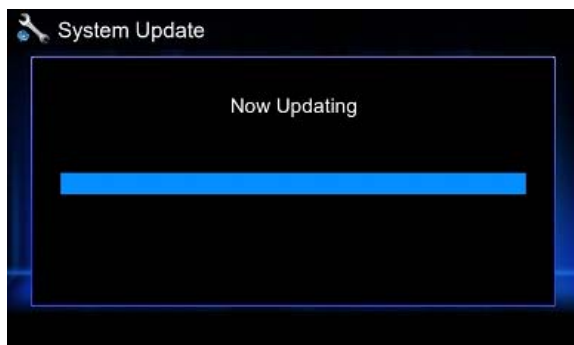
#### 4.7 OPENNING CUSTOMIZE screen



(1) [Opening Customize] key

Transits to the following screen, and displays a prompt for Disc or USB memory insertion.

- Independent of the source, and insertion of DISC or USB from any source can be accepted.  
In other words, switch the input source of DISC mecha to USB when USB is inserted.
- After entering this screen, reset is required to go back to normal operation.



## **SECTION 5 TROUBLESHOOTING**

This service manual does not describe TROUBLESHOOTING.



# KENWOOD

JVC KENWOOD Corporation  
Car Electronics Business Group 2967-3, Ishikawa-machi, Hachioji-shi, Tokyo, 192-8525, Japan

---

(No.WA022<Rev.001>)

Printed in Japan  
VSE

# KENWOOD

## PARTS LIST

### MONITOR WITH DVD RECEIVER

DDX3021

DDX3049

DDX3051

DDX319

DDX4021BT

DDX4031

DDX4031BT

DDX4031BTM

DDX4031M

DDX4049BT

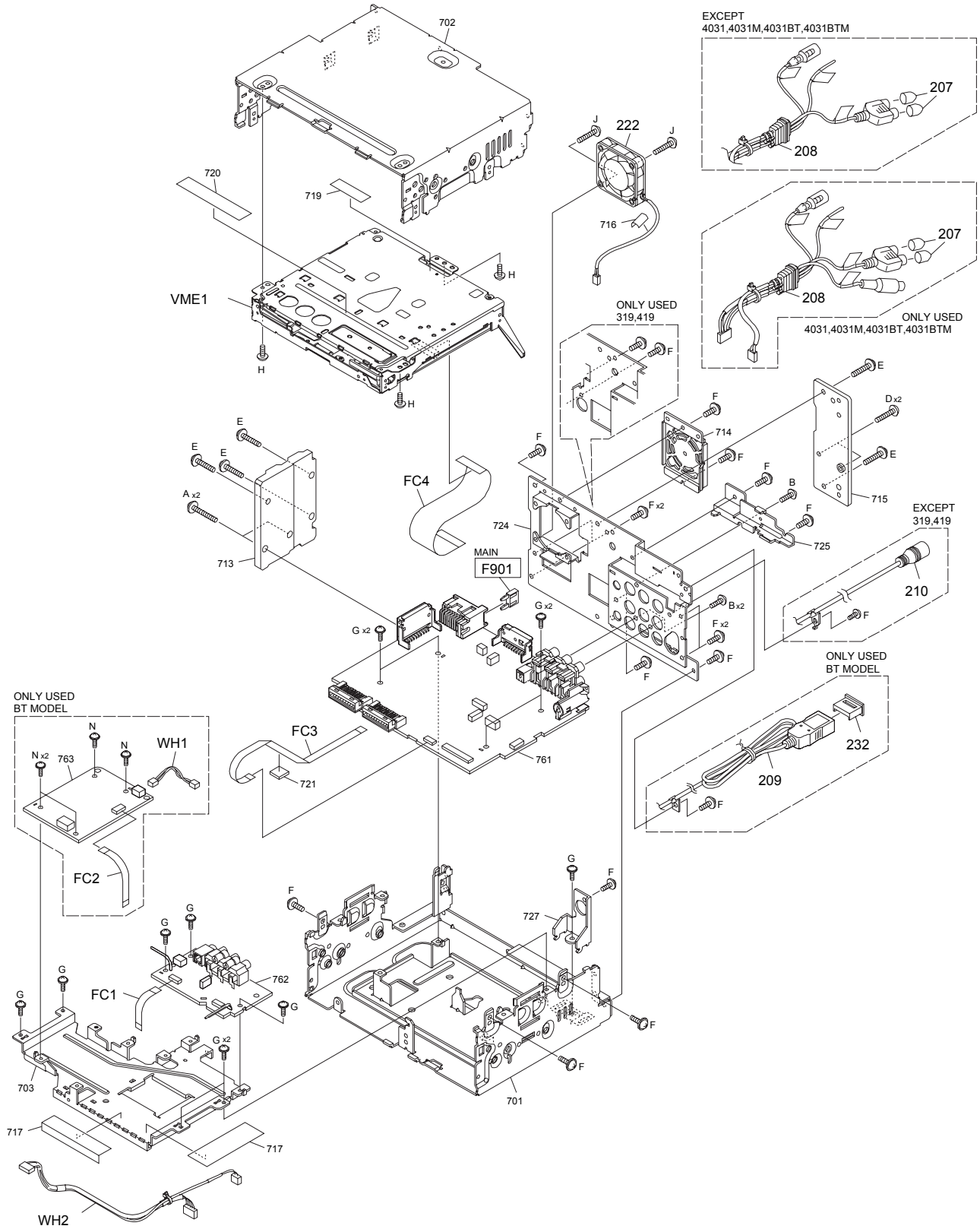
DDX4051BT

DDX419



# EXPLODED VIEW (UNIT)

Block No.200A



Parts with the exploded numbers larger than 700 are not supplied.

MODEL	MARK	MODEL	MARK	MODEL	MARK	MODEL	MARK
DDX3021E	E2	DDX3049R	R2	DDX3051Q	Q2	DDX319K	K1
DDX4021BTE	E1	DDX4031BTM	M1	DDX4031BTMM	M2	DDX4031BTX	X1
DDX4031M	M3	DDX4031MM	M4	DDX4031X	X2	DDX4049BTR	R1
DDX4051BTQ	Q1	DDX419K	K0				

Safe	Symbol No.	Parts No.	Parts Name	Description	QTY	Local
------	------------	-----------	------------	-------------	-----	-------

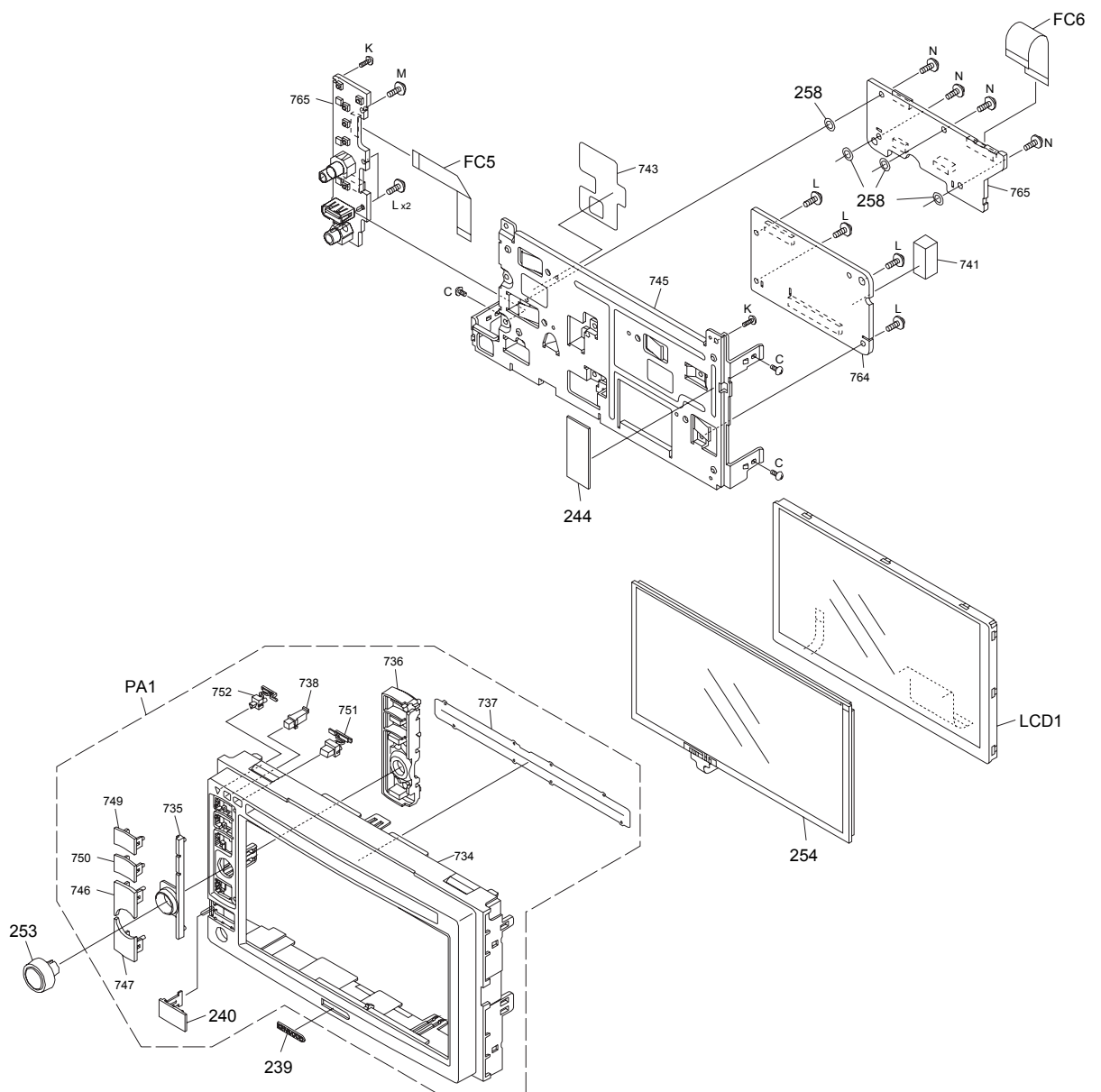
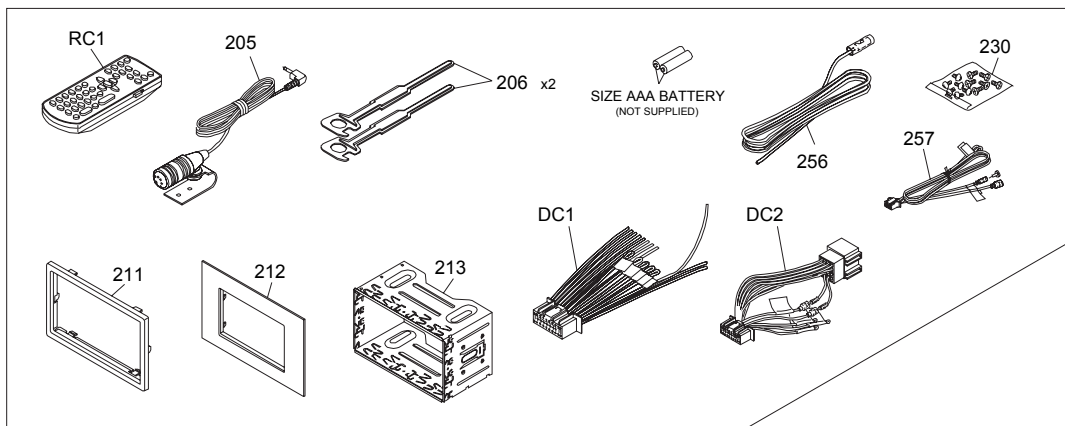
EXPLODED VIEW (UNIT) <200A>

FC1	E39-1289-08	FFC WIRE	14pin 5cm	1	
FC2	E39-1228-08	FFC WIRE	12pin 7cm	1	E1,M1,M2,X1,R1,Q1,K0
FC3	E39-1229-08	FFC WIRE	12pin 16cm	1	
FC4	E39-1230-08	FFC WIRE	50pin 13cm	1	
VME1	D40-2248-08	DVD MECHA MODULE	FMU-XS2-21D	1	
VME1 or	D40-2245-08	DVD MECHA MODULE	FMU-XS2-41D	1	
WH1	E39-1231-08	E-SI C WIRE C-C		1	E1,M1,M2,X1,R1,Q1,K0
WH2	E39-1232-08	E-HARNESS ASSY		1	
A	N09-6837-08	SPECIAL SCREW		2	
B	N09-6871-08	TAP SCREW	M3 x 10mm	3	
D	N09-6873-08	TAP SCREW	M2.6 x 10mm	2	
E	N09-6774-08	SPECIAL SCREW		5	
F	N09-6890-08	SPECIAL SCREW		17	
G	N09-6876-08	SPECIAL SCREW		12	
H	N09-6764-08	SPECIAL SCREW		3	
J	N09-6878-08	SPECIAL SCREW		2	
N	N09-6876-08	SPECIAL SCREW		4	
207	F09-3112-08	PIN CAP		2	
208	E30-8281-08	CAR CABLE	AV	1	E2,R2,Q2,K1,E1,R1,Q1,K0
208	E30-8282-08	CAR CABLE	AV	1	M1,M2,X1,M3,M4,X2
209	E30-8231-08	CAR CABLE	USB	1	E1,M1,M2,X1,R1,Q1,K0
210	E30-8283-08	CAR CABLE	NAVI	1	E2,R2,Q2,E1,M1,M2,X1,M3,M4,X2,R1,Q1
222	F09-3088-08	COOLING FAN		1	
232	W02-5567-08	RF MODULE	BT	1	E1,M1,M2,X1,R1,Q1,K0



# EXPLODED VIEW (PANEL)

Block No.200B



Parts with the exploded numbers larger than 700 are not supplied.

MODEL	MARK	MODEL	MARK	MODEL	MARK	MODEL	MARK
DDX3021E	E2	DDX3049R	R2	DDX3051Q	Q2	DDX319K	K1
DDX4021BTE	E1	DDX4031BTM	M1	DDX4031BTMM	M2	DDX4031BTX	X1
DDX4031M	M3	DDX4031MM	M4	DDX4031X	X2	DDX4049BTR	R1
DDX4051BTQ	Q1	DDX419K	K0				

Safe	Symbol No.	Parts No.	Parts Name	Description	QTY	Local
------	------------	-----------	------------	-------------	-----	-------

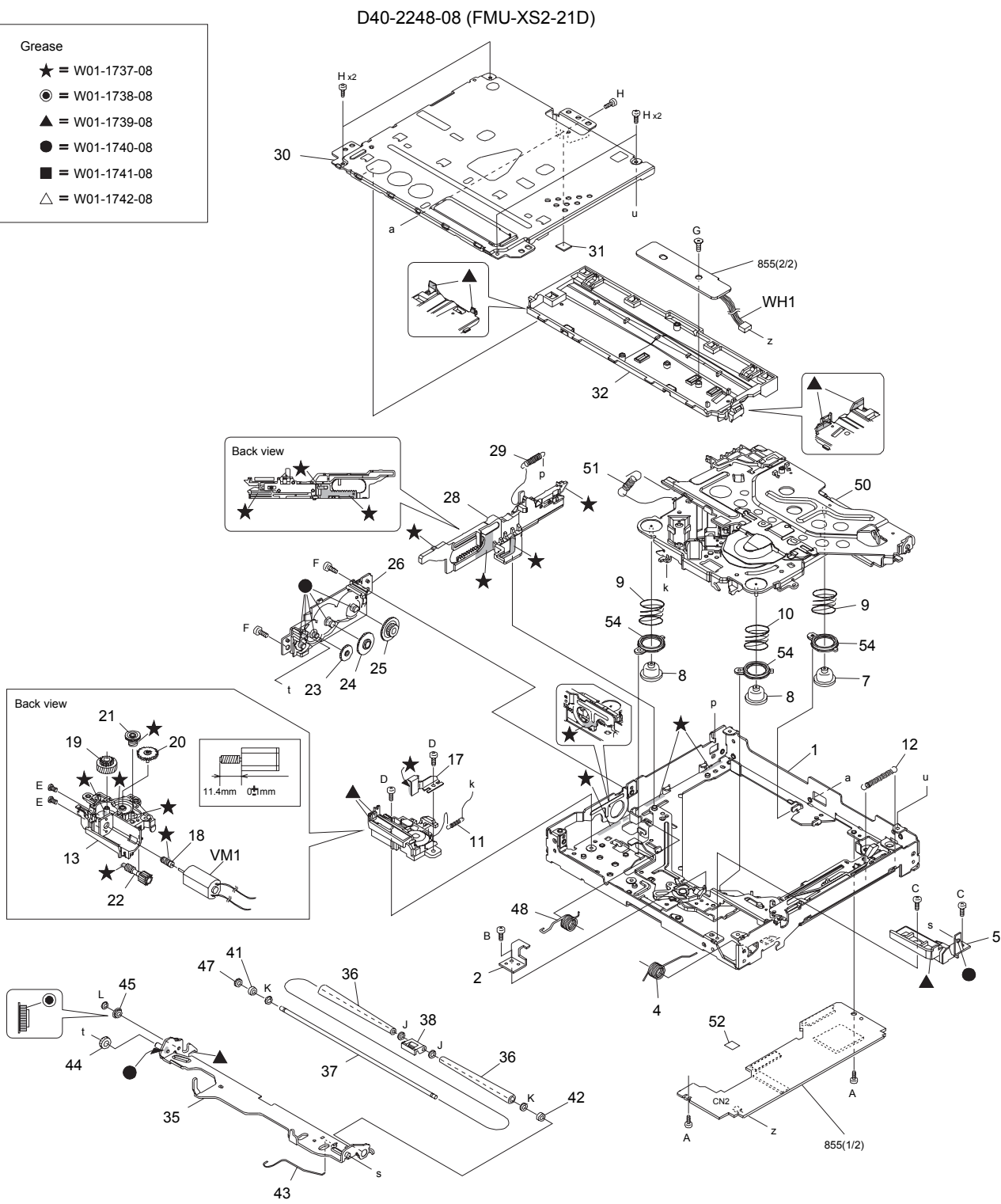
EXPLODED VIEW (PANEL) <200B>

DC1	E30-8232-08	DC CORD			1	R2,K1,M1,M2,X1,M3,M4, X2,R1,K0
DC2	E30-8233-08	DC CORD			1	E2,Q2,E1,Q1
FC5	E39-1225-08	FFC WIRE	17pin 6cm		1	
FC6	E39-1226-08	FFC WIRE	30pin 5cm		1	
LCD1	B38-1237-08	LCD MODULE			1	
PA1	A64-5383-08	FRONT PANEL ASSY			1	E2
PA1	A64-5382-08	FRONT PANEL ASSY			1	R2
PA1	A64-5384-08	FRONT PANEL ASSY			1	Q2
PA1	A64-5381-08	FRONT PANEL ASSY			1	K1
PA1	A64-5388-08	FRONT PANEL ASSY			1	E1
PA1	A64-5390-08	FRONT PANEL ASSY			1	M1,M2,X1,M4
PA1	A64-5385-08	FRONT PANEL ASSY			1	M3,M4,X2
PA1	A64-5387-08	FRONT PANEL ASSY			1	R1
PA1	A64-5389-08	FRONT PANEL ASSY			1	Q1
PA1	A64-5386-08	FRONT PANEL ASSY			1	K0
RC1	A70-2083-15	REMOCON UNIT			1	R2,M1,M2,M3,M4,R1
C	N86-2004-48	TAP SCREW	M2 x 4mm		3	
K	N09-5625-08	SCREW			2	
L	N09-6889-08	SPECIAL SCREW			6	
M	N09-6901-08	SPECIAL SCREW			1	
N	N09-6876-08	SPECIAL SCREW			4	
205	W01-2009-08	MICROPHONE			1	E1,M1,M2,X1,R1,Q1,K0
206	D10-7012-04	LEVER			2	E2,R2,Q2,K1,E1,R1,Q1,K0
211	B07-3263-02	ESCUTCHEON(2DIN)			1	E2,R2,Q2,K1,E1,X1,X2,R1,Q1,K0
212	B07-3363-02	ESCUTCHEON(UNIV)			1	X1,X2
213	J22-0657-03	SLEEVE ASSY			1	E2,R2,Q2,K1,E1,R1,Q1,K0
230	N99-1822-05	SCREW SET			1	R2,K1,M1,M2,X1,M3,M4, X2,R1,K0
239	B43-1524-04	BADGE			1	
240	B09-1012-08	CAP(USB)			1	E2,Q2,E1,M1,M2,X1,M3, M4,X2,Q1
240	B09-1011-08	CAP(USB)			1	R2,K1,R1,K0
244	G11-3840-08	SPACER			1	
253	K28-0503-08	VOL.KNOB ASSY			1	
254	S79-0884-08	TOUCH PANEL			1	
256	E30-8234-08	CAR CABLE	PRK		1	
257	W01-2004-15	CAR CABLE	ST REMO		1	M1,M2,X1,M3,M4,X2
258	F09-3122-08	SPACER			4	
-	B64-4979-08	INST BOOK	ENG		1	E2,Q2,E1,Q1
-	B64-4980-08	INST BOOK	FRE		1	E2,E1
-	B64-4981-08	INST BOOK	GER		1	E2,E1
-	B64-4982-08	INST BOOK	DUT		1	E2,E1
-	B64-4983-08	INST BOOK	ITA		1	E2,E1
-	B64-4984-08	INST BOOK	SPA		1	E2,E1
-	B64-4985-08	INST BOOK	POR		1	E2,E1
-	B64-4973-08	INST BOOK	ENG		1	R2,K1,R1,K0
-	B64-4975-08	INST BOOK	SPA		1	R2,K1,R1,K0
-	B64-4986-08	INST BOOK	POR		1	R2,R1
-	B64-4987-08	INST BOOK	RUS		1	Q2,Q1
-	B64-4988-08	INST BOOK	UKR		1	Q2,Q1
-	B64-4974-08	INST BOOK	FRE		1	K1,K0
-	B64-4976-08	INST BOOK	ENG		1	M1,M2,X1,M3,M4,X2
-	B64-4977-08	INST BOOK	CHI-S		1	M1,M3
-	B64-4978-08	INST BOOK	ARA		1	M2,M4
-	H54-5211-08	CARTON			1	E2
-	H54-5210-08	CARTON			1	R2
-	H54-5212-08	CARTON			1	Q2
-	H54-5209-08	CARTON			1	K1
-	H54-5218-08	CARTON			1	E1
-	H54-5220-08	CARTON			1	M1
-	H54-5221-08	CARTON			1	M2
-	H54-5222-08	CARTON			1	X1
-	H54-5213-08	CARTON			1	M3
-	H54-5214-08	CARTON			1	M4
-	H54-5215-08	CARTON			1	X2
-	H54-5217-08	CARTON			1	R1
-	H54-5219-08	CARTON			1	Q1
-	H54-5216-08	CARTON			1	K0

# EXPLODED VIEW (DVD:D40-2248-08/FMU-XS2-21D)

Block No.150A

- Grease
- ★ = W01-1737-08
  - ⊙ = W01-1738-08
  - ▲ = W01-1739-08
  - = W01-1740-08
  - = W01-1741-08
  - △ = W01-1742-08



MODEL	MARK	MODEL	MARK	MODEL	MARK	MODEL	MARK
DDX3021E	E2	DDX3049R	R2	DDX3051Q	Q2	DDX319K	K1
DDX4021BTE	E1	DDX4031BTM	M1	DDX4031BTMM	M2	DDX4031BTX	X1
DDX4031M	M3	DDX4031MM	M4	DDX4031X	X2	DDX4049BTR	R1
DDX4051BTQ	Q1	DDX419K	K0				

Safe	Symbol No.	Parts No.	Parts Name	Description	QTY	Local
------	------------	-----------	------------	-------------	-----	-------

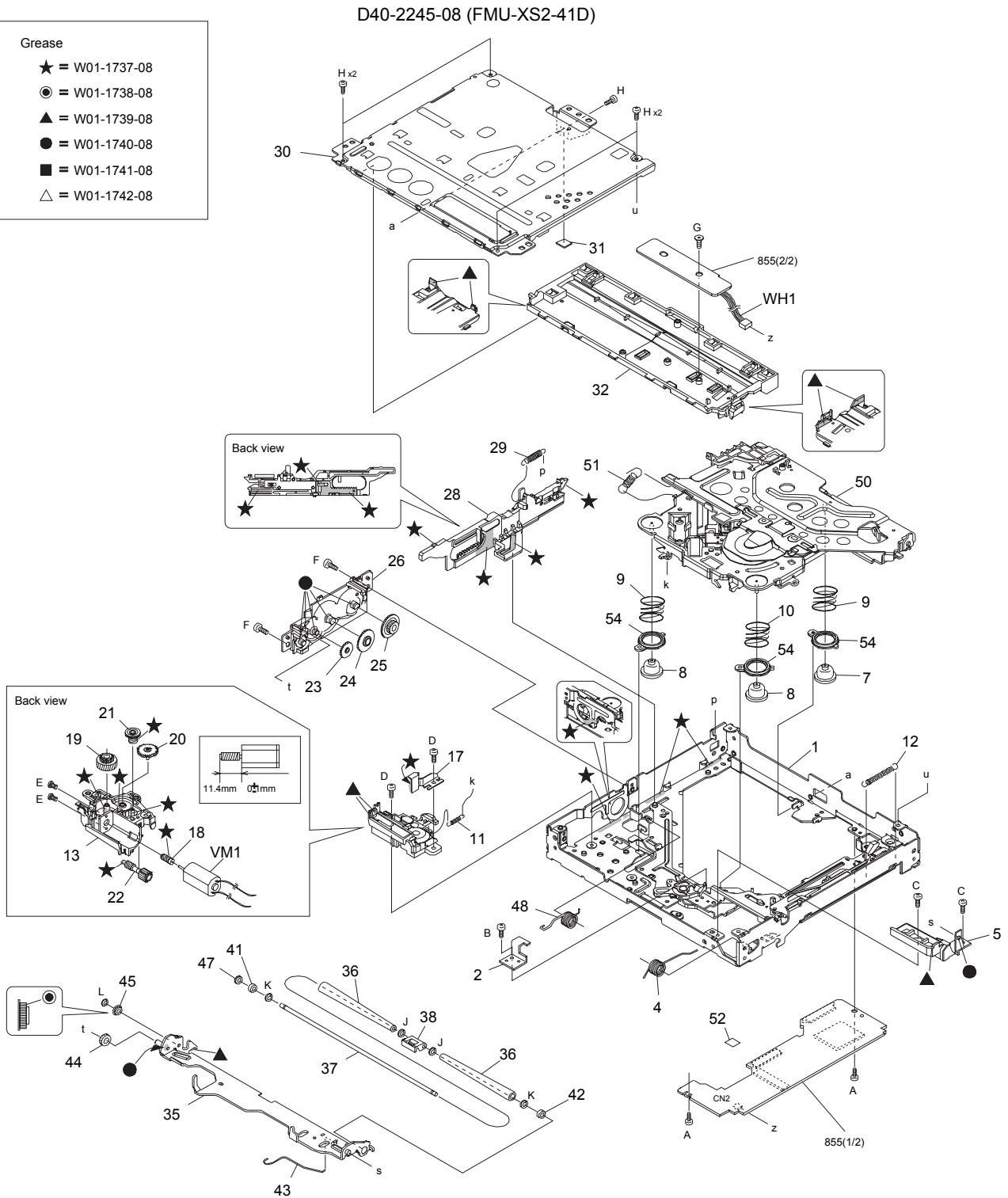
EXPLODED VIEW (DVD:D40-2248-08/FMU-XS2-21D) <150A>

VM1	T42-1376-08	LOADING MOTOR			1	
WH1	E39-1298-08	E-FL/RB WIRE			1	
A	N09-6778-08	MINI SCREW			2	
B	N09-6779-08	SPECIAL SCREW			1	
C	N09-6778-08	MINI SCREW			2	
D	N09-6780-08	MINI TAP SCREW			2	
E	N09-6781-08	SCREW	M1.4 x 2.5mm		2	
F	N09-6778-08	MINI SCREW			2	
G	N09-6782-08	SPECIAL SCREW			1	
H	N09-6778-08	MINI SCREW			5	
J	N29-0544-08	WASHER			2	
K	N29-0542-08	SLIT WASHER			2	
L	N29-0543-08	SLIT WASHER	3.5mm/1.7mm x 0.25mm		1	
1	A10-5568-08	FRAME UNIT			1	
2	J22-0881-08	STOPPER			1	
4	G01-4747-08	L A SPRING(R) 2			1	
5	G01-4711-08	L ARM HOLDER			1	
7	J02-1216-08	INSULATOR			1	
8	J02-1217-08	INSULATOR			2	
9	G01-4712-08	DAMPER SPRING B			2	
10	G01-4713-08	DAMPER SPRING A			1	
11	G01-4714-08	FLOATING SPRING			1	
12	G01-4715-08	LOCK SLIDER SPR			1	
13	J22-0882-08	MOTOR HOLDER			1	
17	G02-1598-08	MOTOR TH SPRING			1	
18	D13-3115-08	MOTOR WORM GEAR			1	
19	D13-2500-08	M WHEEL GEAR			1	
20	D13-3001-08	M CONNECT GEAR			1	
21	D13-3002-08	A WORM GEAR			1	
22	D13-3003-08	A WHEEL GEAR			1	
23	D13-3004-08	ACT GEAR			1	
24	D13-3005-08	A CONNECT GAER			1	
25	D13-3006-08	LOAD GAER			1	
26	J22-0883-08	GEAR BASE			1	
28	D10-7065-08	SLIDE CAM ASSY			1	
29	G01-4716-08	S,CAM SPRING			1	
30	A10-5515-08	TOP COVER			1	
31	J30-1096-08	SPACER			1	
32	J22-0909-08	DISC PLATE 2			1	
35	D10-7096-08	LOADING A AS 2			1	
36	D14-1035-08	ROLLER			2	
37	D21-2534-08	ROLLER SHAFT 2			1	
38	J22-0885-08	SHAFT GUIDE			1	
41	J31-1082-08	ROLLER COLLAR L			1	
42	J31-1087-08	R. COLLAR R2			1	
43	D10-7097-08	L ARM ROD			1	
44	D13-3007-08	CONNECT GEAR			1	
45	D13-3008-08	MIDDLE GEAR			1	
47	D13-3009-08	ROLLER GAER			1	
48	G01-4748-08	L A SPRING(L) 2			1	
50	D40-2239-08	TRA MECHA UNIT	CM-FMUXM1D		1	
51	G01-4718-08	CLAMPER SPRING			1	
52	J30-1099-08	SPACER(P)			1	
54	J02-1215-08	INSULATOR CAP			3	

# EXPLODED VIEW (DVD:D40-2245-08/FMU-XS2-41D)

Block No.150B

- Grease
- ★ = W01-1737-08
  - = W01-1738-08
  - ▲ = W01-1739-08
  - = W01-1740-08
  - = W01-1741-08
  - △ = W01-1742-08



Parts with the exploded numbers larger than 700 are not supplied.

MODEL	MARK	MODEL	MARK	MODEL	MARK	MODEL	MARK
DDX3021E	E2	DDX3049R	R2	DDX3051Q	Q2	DDX319K	K1
DDX4021BTE	E1	DDX4031BTM	M1	DDX4031BTMM	M2	DDX4031BTX	X1
DDX4031M	M3	DDX4031MM	M4	DDX4031X	X2	DDX4049BTR	R1
DDX4051BTQ	Q1	DDX419K	K0				

Safe	Symbol No.	Parts No.	Parts Name	Description	QTY	Local
------	------------	-----------	------------	-------------	-----	-------

EXPLODED VIEW (DVD:D40-2245-08/FMU-XS2-41D) <150B>

VM1	T42-1376-08	LOADING MOTOR			1	
WH1	E39-1099-08	E-SI C WIRE C-F			1	
A	N09-6778-08	MINI SCREW			2	
B	N09-6779-08	SPECIAL SCREW			1	
C	N09-6778-08	MINI SCREW			2	
D	N09-6780-08	MINI TAP SCREW			2	
E	N09-6781-08	SCREW	M1.4 x 2.5mm		2	
F	N09-6778-08	MINI SCREW			2	
G	N09-6782-08	SPECIAL SCREW			1	
H	N09-6778-08	MINI SCREW			5	
J	N29-0544-08	WASHER			2	
K	N29-0542-08	SLIT WASHER			2	
L	N29-0543-08	SLIT WASHER	3.5mm/1.7mm x 0.25mm		1	
1	A10-5568-08	FRAME UNIT			1	
2	J22-0881-08	STOPPER			1	
4	G01-4747-08	L A SPRING(R) 2			1	
5	G01-4711-08	L ARM HOLDER			1	
7	J02-1216-08	INSULATOR			1	
8	J02-1217-08	INSULATOR			2	
9	G01-4712-08	DAMPER SPRING B			2	
10	G01-4713-08	DAMPER SPRING A			1	
11	G01-4714-08	FLOATING SPRING			1	
12	G01-4715-08	LOCK SLIDER SPR			1	
13	J22-0882-08	MOTOR HOLDER			1	
17	G02-1598-08	MOTOR TH SPRING			1	
18	D13-3115-08	MOTOR WORM GEAR			1	
19	D13-2500-08	M WHEEL GEAR			1	
20	D13-3001-08	M CONNECT GEAR			1	
21	D13-3002-08	A WORM GEAR			1	
22	D13-3003-08	A WHEEL GEAR			1	
23	D13-3004-08	ACT GEAR			1	
24	D13-3005-08	A CONNECT GAER			1	
25	D13-3006-08	LOAD GAER			1	
26	J22-0883-08	GEAR BASE			1	
28	D10-7065-08	SLIDE CAM ASSY			1	
29	G01-4716-08	S,CAM SPRING			1	
30	A10-5515-08	TOP COVER			1	
31	J30-1096-08	SPACER			1	
32	J22-0909-08	DISC PLATE 2			1	
35	D10-7096-08	LOADING A AS 2			1	
36	D14-1035-08	ROLLER			2	
37	D21-2534-08	ROLLER SHAFT 2			1	
38	J22-0885-08	SHAFT GUIDE			1	
41	J31-1082-08	ROLLER COLLAR L			1	
42	J31-1087-08	R. COLLAR R2			1	
43	D10-7097-08	L ARM ROD			1	
44	D13-3007-08	CONNECT GEAR			1	
45	D13-3008-08	MIDDLE GEAR			1	
47	D13-3009-08	ROLLER GAER			1	
48	G01-4748-08	L A SPRING(L) 2			1	
50	D40-2239-08	TRA MECHA UNIT	CM-FMUXM1D		1	
51	G01-4718-08	CLAMPER SPRING			1	
52	J30-1099-08	SPACER(P)			1	
54	J02-1215-08	INSULATOR CAP			3	

MAIN UNIT-2 (LVA11038-xxA) <ER>

IC11	TEF6614TV1S3-X	IC			1	
IC101	TB2926CHQ	IC			1	
IC141	E-TDA7415CB	IC			1	
IC152	74AHC1G08GW	IC			1	
IC153	74AHCT1G08GW	IC(DIGITAL)			1	
IC181	NJM2794RB2ZB	IC			1	
IC191	NJM4565E-X	IC			1	
IC261	NJM2584AM-X	IC			1	
IC701	JVM551D	IC(MCU)			1	
IC721	R1EX24016ASAAX	IC			1	
IC731	XC6120N242NG-X	IC			1	
IC751	74AHC1G08GW	IC(DIGITAL)			1	
IC801	LV5680P	IC			1	
IC802	BD9673EFJ	IC			1	
IC803	BA9743AFV-X	IC			1	
IC821	XC6213B332N-G	IC			1	
IC831	BD9673EFJ	IC			1	
IC851	NJM2835DL1-15X	IC			1	
IC931	RT3J33M-1	MOS FET ARRAY			1	M1,M2,X1,M3,M4,X2
Q717	DRA9143Z	DIGI TRANSISTOR			1	
Q731	DRA9114E	DIGI TRANSISTOR			1	
Q791	2SA812A/5-6/-X	TRANSISTOR			1	
Q801	DRC9144E	DIGI TRANSISTOR			1	
Q802	DRA9144E	DIGI TRANSISTOR			1	
Q803	DRC9114E	DIGI TRANSISTOR			1	
Q804	DRA9114E	DIGI TRANSISTOR			1	
Q805	DRC9114E	DIGI TRANSISTOR			1	
Q821	DRA9114E	DIGI TRANSISTOR			1	
Q822	DRC9144E	DIGI TRANSISTOR			1	
Q871	MTM98140-X	TRANSISTOR			1	

E2,R2,Q2,E1,M1,M2,X1,  
M3,M4,X2,R1,Q1

MODEL	MARK	MODEL	MARK	MODEL	MARK	MODEL	MARK
DDX3021E	E2	DDX3049R	R2	DDX3051Q	Q2	DDX319K	K1
DDX4021BTE	E1	DDX4031BTM	M1	DDX4031BTMM	M2	DDX4031BTX	X1
DDX4031M	M3	DDX4031MM	M4	DDX4031X	X2	DDX4049BTR	R1
DDX4051BTQ	Q1	DDX419K	K0				

Safe	Symbol No.	Parts No.	Parts Name	Description	QTY	Local
	Q872	DRA9114E	DIGI TRANSISTOR		1	
	Q873	DRC9144E	DIGI TRANSISTOR		1	
	Q874	DRC9114E	DIGI TRANSISTOR		1	
	Q875	DRA9114E	DIGI TRANSISTOR		1	
	Q971	DSC5001/R/	TRANSISTOR		1	
	Q972	DSC5001/R/	TRANSISTOR		1	
	Q1121	DMC20402-W	PAIR TRANSISTOR		1	
	Q1221	DMC20402-W	PAIR TRANSISTOR		1	
	Q1301	DRC9114E	DIGI TRANSISTOR		1	
	Q1302	DRA9114E	DIGI TRANSISTOR		1	
	Q1341	DMC20402-W	PAIR TRANSISTOR		1	
	Q1401	INC2002AC1-X	TRANSISTOR		1	
	Q1501	DRA9114E	DIGI TRANSISTOR		1	
	Q1502	DSC5001/R/	TRANSISTOR		1	
	Q1503	DRA9114E	DIGI TRANSISTOR		1	
	Q1504	DRA9114E	DIGI TRANSISTOR		1	
	Q1505	DRC9143Z	DIGI TRANSISTOR		1	
	Q1507	DRC9143Z	DIGI TRANSISTOR		1	
	Q1508	DRC9143Z	DIGI TRANSISTOR		1	
	Q1541	DRA9114E	DIGI TRANSISTOR		1	K1,K0
	Q1542	DRC9114Y	DIGI TRANSISTOR		1	K1,K0
	Q1942	DSC5001/R/	TRANSISTOR		1	
	Q1943	DRA9114Y	DIGI TRANSISTOR		1	
	Q1944	DSC5001/R/	TRANSISTOR		1	
	Q1951	RT1N141U-X	DIGI TRANSISTOR		1	
	Q1961	DRC9114E	DIGI TRANSISTOR		1	
	Q8021	DRC9114E	DIGI TRANSISTOR		1	
	Q8022	DRC9114E	DIGI TRANSISTOR		1	
	Q8101	TPC6110-X	MOS FET		1	
	Q8102	2SC1623A/5-6/-	TRANSISTOR		1	
	Q8103	2SA812A/5-6/-X	TRANSISTOR		1	
	Q8104	DRC9114E	DIGI TRANSISTOR		1	
	Q8201	RTQ035N03-W	MOS FET		1	
	Q8202	2SA812A/5-6/-X	TRANSISTOR		1	
	Q8203	2SC1623A/5-6/-	TRANSISTOR		1	
	Q8301	2SC1623A/5-6/-	TRANSISTOR		1	
	D821	CRS03	SB DIODE		1	
	D871	RKZ18B2KG-X	Z DIODE		1	
	D901	1N5402-BPC04	SI DIODE		1	
	D902	GS1J-LTP-X	DIODE		1	
	D931	RKZ18B2KG-X	Z DIODE		1	M1,M2,X1,M3,M4,X2
	D932	RKZ18B2KG-X	Z DIODE		1	M1,M2,X1,M3,M4,X2
	D935	RKS801KF	SI DIODE		1	M1,M2,X1,M3,M4,X2
	D936	RKS801KF	SI DIODE		1	M1,M2,X1,M3,M4,X2
	D971	RKZ6.8B2KG-X	Z DIODE		1	
	D972	RKZ6.8B2KG-X	Z DIODE		1	
	D1121	MC2836-X	DIODE		1	
	D1221	MC2836-X	DIODE		1	
	D1303	RKS801KF	SI DIODE		1	
	D1304	RKS801KF	SI DIODE		1	
	D1341	MC2836-X	DIODE		1	
	D1371	CRS03	SB DIODE		1	
	D1372	RKZ5.6KG(B2)	Z DIODE		1	
	D1381	RKZ4.7KG(B2)	Z DIODE		1	
	D1382	RKS801KF	SI DIODE		1	
	D1401	MC2836-X	DIODE		1	
	D1402	MC2836-X	DIODE		1	
	D1403	MC2836-X	DIODE		1	
	D1501	MC2836-X	DIODE		1	
	D1502	MC2836-X	DIODE		1	
	D1503	MC2836-X	DIODE		1	
	D1504	MC2836-X	DIODE		1	
	D1911	CRS03	SB DIODE		1	
	D1912	CRS03	SB DIODE		1	
	D1921	MBRX130-TP-X	SB DIODE		1	
	D1922	MBRX130-TP-X	SB DIODE		1	
	D1931	MC2836-X	DIODE		1	
	D1941	RKS801KF	SI DIODE		1	
	D1961	RKZ18B2KG-X	Z DIODE		1	
	D1971	RKZ6.2KG(B2)	Z DIODE		1	
	D7301	RKS801KF	SI DIODE		1	
	D8001	RB051L-40-X	SB DIODE		1	
	D8011	CRS03	SB DIODE		1	
	D8021	RKZ6.2KG(B2)	Z DIODE		1	
	D8022	RKZ6.2KG(B2)	Z DIODE		1	
	D8031	RB051L-40-X	SB DIODE		1	
	D8101	RB051L-40-X	SB DIODE		1	
	D8106	RKZ6.2KG(B2)	Z DIODE		1	
	D8201	CRS03	SB DIODE		1	
	D8203	KDR720E-X	SB DIODE		1	
	D8204	KDR720E-X	SB DIODE		1	
	D8205	KDR720E-X	SB DIODE		1	
	D8301	RKS801KF	SI DIODE		1	
	D8501	RKS801KF	SI DIODE		1	
	C1	CK73HB1H471K	C CAPACITOR	470pF 50V K	1	
	C8	CC73HCH1H270J	C CAPACITOR	27pF 50V J	1	
	C9	CK73GB1C224K	C CAPACITOR	0.22uF 16V K	1	
	C10	CK73HB1E103K	C CAPACITOR	0.01uF 16V K	1	

MODEL	MARK	MODEL	MARK	MODEL	MARK	MODEL	MARK
DDX3021E	E2	DDX3049R	R2	DDX3051Q	Q2	DDX319K	K1
DDX4021BTE	E1	DDX4031BTM	M1	DDX4031BTMM	M2	DDX4031BTX	X1
DDX4031M	M3	DDX4031MM	M4	DDX4031X	X2	DDX4049BTR	R1
DDX4051BTQ	Q1	DDX419K	K0				

Safe	Symbol No.	Parts No.	Parts Name	Description	QTY	Local
	C12	CK73HB1E103K	C CAPACITOR	0.01uF 16V K	1	
	C13	CK73HB1A104K	C CAPACITOR	0.1uF 10V K	1	
	C14	CK73HB1E103K	C CAPACITOR	0.01uF 16V K	1	
	C16	CK73HB1E103K	C CAPACITOR	0.01uF 16V K	1	
	C17	C90-6946-08	E CAPACITOR	100uF 16V M	1	
	C18	CK73HB1A104K	C CAPACITOR	0.1uF 10V K	1	
	C19	CK73GB1A105K	C CAPACITOR	1uF 16V K	1	
	C20	CC73HCH1H060D	C CAPACITOR	6pF 50V J	1	
	C21	CK73HB1A104K	C CAPACITOR	0.1uF 10V K	1	
	C22	CK73HB1H102K	C CAPACITOR	1000pF 50V K	1	
	C23	CC73HCH1H100D	C CAPACITOR	10pF 50V J	1	
	C24	CK73GB1C224K	C CAPACITOR	0.22uF 16V K	1	
	C25	CK73HB1E103K	C CAPACITOR	0.01uF 16V K	1	
	C26	CK73GB1A105K	C CAPACITOR	1uF 16V K	1	
	C27	CC73HCH1H150J	C CAPACITOR	15pF 50V J	1	
	C29	CK73HB1A104K	C CAPACITOR	0.1uF 10V K	1	
	C30	CK73HB1E103K	C CAPACITOR	0.01uF 16V K	1	
	C42	CK73HB1H102K	C CAPACITOR	1000pF 50V K	1	
	C45	CC73HCH1H070D	C CAPACITOR	7pF 50V J	1	
	C46	CC73HCH1H020C	C CAPACITOR	2pF 50V J	1	
	C50	CK73GB1H103K	C CAPACITOR	0.01uF 50V K	1	
	C260	CK73FB0J106K	C CAPACITOR	10uF 6.3V K	1	
	C262	CK73GB1C105K	C CAPACITOR	1uF 16V K	1	E2,R2,Q2,E1,M1,M2,X1, M3,M4,X2,R1,Q1
	C272	CK73GB1C105K	C CAPACITOR	1uF 16V K	1	E2,R2,Q2,E1,M1,M2,X1, M3,M4,X2,R1,Q1
	C282	CK73GB1C105K	C CAPACITOR	1uF 16V K	1	E2,R2,Q2,E1,M1,M2,X1, M3,M4,X2,R1,Q1
	C705	CK73HB1A104K	C CAPACITOR	0.1uF 10V K	1	
	C713	CK73HB1H102K	C CAPACITOR	1000pF 50V K	1	
	C714	CC73HCH1H220J	C CAPACITOR	22pF 50V J	1	
	C715	CC73HCH1H220J	C CAPACITOR	22pF 50V J	1	
	C717	CC73HCH1H120J	C CAPACITOR	12pF 50V J	1	
	C718	CC73HCH1H100D	C CAPACITOR	10pF 50V J	1	
	C723	C90-6945-08	E CAPACITOR	220uF 10V M	1	
	C801	C90-6894-08	E CAPACITOR	10uF 25V M	1	
	C802	C90-6894-08	E CAPACITOR	10uF 25V M	1	R2,K1,M1,M2,X1,M3,M4, X2,R1,K0
	C803	C90-6945-08	E CAPACITOR	220uF 10V M	1	
	C804	CK73HB1A104K	C CAPACITOR	0.1uF 10V K	1	
	C805	CK73HB1A104K	C CAPACITOR	0.1uF 10V K	1	
	C806	CK73HB1A104K	C CAPACITOR	0.1uF 10V K	1	
	C807	CK73GB1A105K	C CAPACITOR	1uF 16V K	1	
	C808	C90-6947-08	E CAPACITOR	47uF 25V M	1	
	C809	CD04BN1C221M	E CAPACITOR	220uF 16V M	1	
	C810	CK73GB1H102K	C CAPACITOR	1000pF 50V K	1	
	C812	C90-6949-08	E CAPACITOR	22uF 50V M	1	
	C816	CK73GB1H104K	C CAPACITOR	0.1uF 50V K	1	
	C818	CC73HCH1H020C	C CAPACITOR	2pF 50V J	1	
	C820	CK73GB1H103K	C CAPACITOR	0.01uF 50V K	1	
	C821	C90-6946-08	E CAPACITOR	100uF 16V M	1	
	C822	C90-6894-08	E CAPACITOR	10uF 25V M	1	
	C871	CK73HB1E103K	C CAPACITOR	0.01uF 16V K	1	
	C872	CK73GB1C334K	C CAPACITOR	0.33uF 16V K	1	
	C901	C90-6783-05	E CAPACITOR	3900uF	1	
	C902	C90-6895-08	E CAPACITOR	2.2uF 50V M	1	
	C904	C90-6895-08	E CAPACITOR	2.2uF 50V M	1	
	C921	CK73HB1H102K	C CAPACITOR	1000pF 50V K	1	
	C931	CK73HB1E103K	C CAPACITOR	0.01uF 16V K	1	M1,M2,X1,M3,M4,X2
	C932	CK73HB1E103K	C CAPACITOR	0.01uF 16V K	1	M1,M2,X1,M3,M4,X2
	C962	CK73HB1E103K	C CAPACITOR	0.01uF 16V K	1	
	C963	CK73GB1H102K	C CAPACITOR	1000pF 50V K	1	
	C1101	CC73HCH1H101J	C CAPACITOR	100pF 50V J	1	
	C1102	CC73HCH1H101J	C CAPACITOR	100pF 50V J	1	
	C1106	CK73GB1C224K	C CAPACITOR	0.22uF 16V K	1	
	C1111	CC73HCH1H101J	C CAPACITOR	100pF 50V J	1	
	C1112	CC73HCH1H101J	C CAPACITOR	100pF 50V J	1	
	C1116	CK73GB1C224K	C CAPACITOR	0.22uF 16V K	1	
	C1121	CC73GCH1H101J	C CAPACITOR	100pF 50V J	1	
	C1122	C90-6896-08	E CAPACITOR	4.7uF 50V M	1	
	C1131	CC73GCH1H101J	C CAPACITOR	100pF 50V J	1	
	C1132	C90-6896-08	E CAPACITOR	4.7uF 50V M	1	
	C1141	CC73GCH1H101J	C CAPACITOR	100pF 50V J	1	
	C1142	CK73FB0J475K	C CAPACITOR	4.7uF 6.3V K	1	
	C1151	CC73GCH1H101J	C CAPACITOR	100pF 50V J	1	
	C1158	CK73GB1A105K	C CAPACITOR	1uF 16V K	1	K1,K0
	C1161	CK73GB1A105K	C CAPACITOR	1uF 16V K	1	
	C1162	C90-6896-08	E CAPACITOR	4.7uF 50V M	1	
	C1163	CK73GB1A105K	C CAPACITOR	1uF 16V K	1	E1,M1,M2,X1,R1,Q1,K0
	C1166	CK73GB1A105K	C CAPACITOR	1uF 16V K	1	
	C1167	CK73GB1A105K	C CAPACITOR	1uF 16V K	1	
	C1170	CK73GB1A105K	C CAPACITOR	1uF 16V K	1	
	C1181	CK73GB1A105K	C CAPACITOR	1uF 16V K	1	
	C1182	CK73GB1A105K	C CAPACITOR	1uF 16V K	1	



MODEL	MARK	MODEL	MARK	MODEL	MARK	MODEL	MARK
DDX3021E	E2	DDX3049R	R2	DDX3051Q	Q2	DDX319K	K1
DDX4021BTE	E1	DDX4031BTM	M1	DDX4031BTMM	M2	DDX4031BTX	X1
DDX4031M	M3	DDX4031MM	M4	DDX4031X	X2	DDX4049BTR	R1
DDX4051BTQ	Q1	DDX419K	K0				

Safe	Symbol No.	Parts No.	Parts Name	Description	QTY	Local
	C1191	C90-6894-08	E CAPACITOR	10uF 25V M	1	
	C1192	C90-6894-08	E CAPACITOR	10uF 25V M	1	
	C1193	CK73HB1H471K	C CAPACITOR	470pF 50V K	1	
	C1194	CK73HB1H682K	C CAPACITOR	6800pF 25V K	1	
	C1195	CK73HB1H471K	C CAPACITOR	470pF 50V K	1	
	C1201	CC73HCH1H101J	C CAPACITOR	100pF 50V J	1	
	C1202	CC73HCH1H101J	C CAPACITOR	100pF 50V J	1	
	C1206	CK73GB1C224K	C CAPACITOR	0.22uF 16V K	1	
	C1211	CC73HCH1H101J	C CAPACITOR	100pF 50V J	1	
	C1212	CC73HCH1H101J	C CAPACITOR	100pF 50V J	1	
	C1216	CK73GB1C224K	C CAPACITOR	0.22uF 16V K	1	
	C1221	CC73GCH1H101J	C CAPACITOR	100pF 50V J	1	
	C1222	C90-6896-08	E CAPACITOR	4.7uF 50V M	1	
	C1231	CC73GCH1H101J	C CAPACITOR	100pF 50V J	1	
	C1232	C90-6896-08	E CAPACITOR	4.7uF 50V M	1	
	C1241	CC73GCH1H101J	C CAPACITOR	100pF 50V J	1	
	C1242	CK73FB0J475K	C CAPACITOR	4.7uF 6.3V K	1	
	C1251	CC73GCH1H101J	C CAPACITOR	100pF 50V J	1	
	C1258	CK73GB1A105K	C CAPACITOR	1uF 16V K	1	K1,K0
	C1261	CK73GB1A105K	C CAPACITOR	1uF 16V K	1	
	C1262	C90-6896-08	E CAPACITOR	4.7uF 50V M	1	
	C1263	CK73GB1A105K	C CAPACITOR	1uF 16V K	1	E1,M1,M2,X1,R1,Q1,K0
	C1266	CK73GB1A105K	C CAPACITOR	1uF 16V K	1	
	C1267	CK73GB1A105K	C CAPACITOR	1uF 16V K	1	
	C1270	CK73GB1A105K	C CAPACITOR	1uF 16V K	1	
	C1281	CK73GB1A105K	C CAPACITOR	1uF 16V K	1	
	C1282	CK73GB1A105K	C CAPACITOR	1uF 16V K	1	
	C1291	C90-6894-08	E CAPACITOR	10uF 25V M	1	
	C1292	C90-6894-08	E CAPACITOR	10uF 25V M	1	
	C1293	CK73HB1H471K	C CAPACITOR	470pF 50V K	1	
	C1294	CK73HB1H682K	C CAPACITOR	6800pF 25V K	1	
	C1295	CK73HB1H471K	C CAPACITOR	470pF 50V K	1	
	C1301	CK73HB1E103K	C CAPACITOR	0.01uF 16V K	1	
	C1303	CC73HCH1H820J	C CAPACITOR	82pF 50V J	1	
	C1304	CK73GB1A105K	C CAPACITOR	1uF 16V K	1	
	C1306	C90-6894-08	E CAPACITOR	10uF 25V M	1	
	C1308	CC73HCH1H820J	C CAPACITOR	82pF 50V J	1	
	C1309	CK73GB1H103K	C CAPACITOR	0.01uF 50V K	1	
	C1312	CK73GB1A105K	C CAPACITOR	1uF 16V K	1	
	C1313	CK73GB1A105K	C CAPACITOR	1uF 16V K	1	
	C1351	CK73GB1C473K	C CAPACITOR	0.047uF 16V K	1	
	C1353	CK73GB1H104K	C CAPACITOR	0.1uF 50V K	1	K1,K0
	C1354	CK73HB1E103K	C CAPACITOR	0.01uF 16V K	1	
	C1355	CK73HB1E103K	C CAPACITOR	0.01uF 16V K	1	
	C1358	CK73FB1C106K	C CAPACITOR	10uF 16V K	1	K1,K0
	C1367	CC73HCH1H330J	C CAPACITOR	33pF 50V J	1	
	C1368	C90-6894-08	E CAPACITOR	10uF 25V M	1	
	C1369	CK73GB1A105K	C CAPACITOR	1uF 16V K	1	
	C1370	CK73FB1C106K	C CAPACITOR	10uF 16V K	1	
	C1371	C90-6946-08	E CAPACITOR	100uF 16V M	1	
	C1373	C90-6912-08	E CAPACITOR	1uF 50V M	1	
	C1374	CK73GB1A474K	C CAPACITOR	0.47uF 10V K	1	
	C1375	C90-6912-08	E CAPACITOR	1uF 50V M	1	
	C1376	CK73GB1A474K	C CAPACITOR	0.47uF 10V K	1	
	C1377	CC73HCH1H020C	C CAPACITOR	2pF 50V J	1	
	C1378	C90-6894-08	E CAPACITOR	10uF 25V M	1	
	C1380	CK73GB1A105K	C CAPACITOR	1uF 16V K	1	
	C1381	CK73HB1E103K	C CAPACITOR	0.01uF 16V K	1	
	C1382	C90-6947-08	E CAPACITOR	47uF 25V M	1	
	C1383	C90-6892-08	E CAPACITOR	22uF 16V M	1	
	C1391	C90-6947-08	E CAPACITOR	47uF 25V M	1	
	C1392	C90-6894-08	E CAPACITOR	10uF 25V M	1	
	C1393	C90-6894-08	E CAPACITOR	10uF 25V M	1	
	C1400	CC73GCH1H101J	C CAPACITOR	100pF 50V J	1	
	C1401	CK73GB1H102K	C CAPACITOR	1000pF 50V K	1	
	C1402	C90-6894-08	E CAPACITOR	10uF 25V M	1	
	C1601	CC73HCH1H070D	C CAPACITOR	7pF 50V J	1	
	C1911	CK73GB1H104K	C CAPACITOR	0.1uF 50V K	1	
	C1932	CK73GB1H104K	C CAPACITOR	0.1uF 50V K	1	
	C1944	CK73GB1C225K	C CAPACITOR	2.2uF 10V K	1	
	C1952	C90-6892-08	E CAPACITOR	22uF 16V M	1	
	C1963	C90-6894-08	E CAPACITOR	10uF 25V M	1	
	C6221	CK73HB1E103K	C CAPACITOR	0.01uF 16V K	1	
	C6222	CK73HB1E103K	C CAPACITOR	0.01uF 16V K	1	
	C7088	CK73HB1E103K	C CAPACITOR	0.01uF 16V K	1	
	C7089	CK73GB1H103K	C CAPACITOR	0.01uF 50V K	1	
	C7092	CK73GB1H103K	C CAPACITOR	0.01uF 50V K	1	
	C7093	CK73GB1H103K	C CAPACITOR	0.01uF 50V K	1	
	C7095	CK73HB1E103K	C CAPACITOR	0.01uF 16V K	1	
	C7104	CK73HB1E103K	C CAPACITOR	0.01uF 16V K	1	
	C7106	CK73HB1E103K	C CAPACITOR	0.01uF 16V K	1	
	C7107	CK73HB1E103K	C CAPACITOR	0.01uF 16V K	1	
	C7108	CK73HB1E103K	C CAPACITOR	0.01uF 16V K	1	
	C7109	CK73HB1E103K	C CAPACITOR	0.01uF 16V K	1	
	C7121	CK73HB1E103K	C CAPACITOR	0.01uF 16V K	1	
	C7126	CK73HB1E103K	C CAPACITOR	0.01uF 16V K	1	
	C7128	CK73HB1E103K	C CAPACITOR	0.01uF 16V K	1	

MODEL	MARK	MODEL	MARK	MODEL	MARK	MODEL	MARK
DDX3021E	E2	DDX3049R	R2	DDX3051Q	Q2	DDX319K	K1
DDX4021BTE	E1	DDX4031BTM	M1	DDX4031BTMM	M2	DDX4031BTX	X1
DDX4031M	M3	DDX4031MM	M4	DDX4031X	X2	DDX4049BTR	R1
DDX4051BTQ	Q1	DDX419K	K0				

Safe	Symbol No.	Parts No.	Parts Name	Description	QTY	Local
	C7301	CK73HB1E103K	C CAPACITOR	0.01uF 16V K	1	
	C7302	CK73GB1A105K	C CAPACITOR	1uF 16V K	1	
	C7501	CK73HB1E103K	C CAPACITOR	0.01uF 16V K	1	
	C7503	CC73HCH1H331J	C CAPACITOR	330pF 50V J	1	
	C8003	CD04AS1E470M	E CAPACITOR	47uF 25V M	1	
	C8004	CK73EB1E106K	C CAPACITOR	10uF 25V	1	
	C8005	C93-1512-08	C CAPACITOR	0.1uF 16V K	1	
	C8006	CK73HB1H682K	C CAPACITOR	6800pF 50V K	1	
	C8008	CK73FB0J106K	C CAPACITOR	10uF 6.3V K	1	
	C8009	C92-2056-08	E CAPACITOR	470uF 10V M	1	
	C8010	CK73FB0J106K	C CAPACITOR	10uF 6.3V K	1	
	C8011	CK73HB1H102K	C CAPACITOR	1000pF 50V K	1	
	C8033	CD04AS1E470M	E CAPACITOR	47uF 25V M	1	
	C8034	CK73EB1E106K	C CAPACITOR	10uF 25V	1	
	C8035	C93-1512-08	C CAPACITOR	0.1uF 16V K	1	
	C8036	CK73HB1H682K	C CAPACITOR	6800pF 50V K	1	
	C8038	CK73FB0J106K	C CAPACITOR	10uF 6.3V K	1	
	C8039	C90-6943-08	E CAPACITOR	330uF 6.3V M	1	
	C8041	CK73HB1H102K	C CAPACITOR	1000pF 50V K	1	
	C8101	CK73GB1A334K	C CAPACITOR	0.33uF 10V K	1	
	C8103	CK73HB1H102K	C CAPACITOR	1000pF 50V K	1	
	C8106	CK73EB1E106K	C CAPACITOR	10uF 25V	1	
	C8107	CK73FB0J106K	C CAPACITOR	10uF 6.3V K	1	
	C8108	C92-2056-08	E CAPACITOR	470uF 10V M	1	
	C8201	CK73GB1A474K	C CAPACITOR	0.47uF 10V K	1	
	C8203	CK73HB1H222K	C CAPACITOR	2200pF 50V K	1	
	C8204	CK73GB1H682K	C CAPACITOR	6800pF 50V K	1	
	C8205	C93-1599-08	C CAPACITOR	390pF 50V K	1	
	C8206	CK73EB1E106K	C CAPACITOR	10uF 25V	1	
	C8207	CK73EB1E106K	C CAPACITOR	10uF 25V	1	
	C8208	C92-2057-08	E CAPACITOR	100uF 50V M	1	
	C8209	CK73EB1E106K	C CAPACITOR	10uF 25V	1	
	C8210	CK73GB1H104K	C CAPACITOR	0.1uF 50V K	1	
	C8213	C90-6949-08	E CAPACITOR	22uF 50V M	1	
	C8301	CK73HB1A104K	C CAPACITOR	0.1uF 10V K	1	
	C8302	C93-1598-08	C CAPACITOR	2700pF 50V K	1	
	C8303	CK73HB1A104K	C CAPACITOR	0.1uF 10V K	1	
	C8304	CK73HB1H102K	C CAPACITOR	1000pF 50V K	1	
	C8306	CK73GB1A105K	C CAPACITOR	1uF 16V K	1	
	C8501	CK73FB1E334K	C CAPACITOR	0.33uF 25V K	1	
	C8502	C90-6892-08	E CAPACITOR	22uF 16V M	1	
	R14	RK73HB1J472J	MG RESISTOR	4.7kΩ 1/16W J	1	
	R16	RK73HB1J684J	MG RESISTOR	680kΩ 1/16W J	1	
	R19	RK73HB1J101J	MG RESISTOR	100Ω 1/16W J	1	
	R21	RK73EB2E220J	MG RESISTOR	22Ω 1/8W J	1	
	R22	RK73HB1J684J	MG RESISTOR	680kΩ 1/16W J	1	
	R23	RK73HB1J101J	MG RESISTOR	100Ω 1/16W J	1	
	R262	RK73HH1J151D	MG RESISTOR	150Ω 1/16W D	1	
	R264	RK73HB1J470J	MG RESISTOR	47Ω 1/16W J	1	
	R265	RK73HB1J470J	MG RESISTOR	47Ω 1/16W J	1	E2,R2,Q2,E1,M1,M2,X1, M3,M4,X2,R1,Q1
	R266	RK73HB1J470J	MG RESISTOR	47Ω 1/16W J	1	E2,R2,Q2,E1,M1,M2,X1, M3,M4,X2,R1,Q1
	R267	RK73HB1J470J	MG RESISTOR	47Ω 1/16W J	1	E2,R2,Q2,E1,M1,M2,X1, M3,M4,X2,R1,Q1
	R268	RK73HB1J470J	MG RESISTOR	47Ω 1/16W J	1	K1,K0
	R269	RK73HB1J470J	MG RESISTOR	47Ω 1/16W J	1	K1,K0
	R272	RK73HH1J151D	MG RESISTOR	150Ω 1/16W D	1	K1,K0
	R282	RK73HH1J151D	MG RESISTOR	150Ω 1/16W D	1	
	R700	RK73HB1J221J	MG RESISTOR	220Ω 1/16W J	1	
	R701	RK73HB1J123J	MG RESISTOR	12kΩ 1/16W J	1	E2,R2,Q2,E1,M1,M2,X1, M3,M4,X2,R1,Q1
	R702	RK73HB1J332J	MG RESISTOR	3.3kΩ 1/16W J	1	E2,E1
	R702	RK73HB1J152J	MG RESISTOR	1.5kΩ 1/16W J	1	R2,R1
	R702	R92-5562-08	MG RESISTOR	6.2kΩ 1/16W J	1	Q2,Q1
	R702	RK73HB1J123J	MG RESISTOR	12kΩ 1/16W J	1	K1,K0
	R702	RK73HB1J912J	MG RESISTOR	9.1kΩ 1/16W J	1	M1,M3
	R702	RK73HB1J153J	MG RESISTOR	15kΩ 1/16W J	1	M2,M4
	R702	RK73HB1J243J	MG RESISTOR	24kΩ 1/16W J	1	X1,X2
	R703	RK73HB1J123J	MG RESISTOR	12kΩ 1/16W J	1	
	R704	RK73HB1J433J	MG RESISTOR	43kΩ 1/16W J	1	
	R707	RK73HB1J473J	MG RESISTOR	47kΩ 1/16W J	1	
	R708	RK73HB1J123J	MG RESISTOR	12kΩ 1/16W J	1	
	R709	RK73HB1J223J	MG RESISTOR	22kΩ 1/16W J	1	
	R711	RK73HB1J123J	MG RESISTOR	12kΩ 1/16W J	1	
	R712	RK73GB2A123J	MG RESISTOR	12kΩ 1/16W J	1	
	R714	RK73HB1J000J	MG RESISTOR	0Ω 1/16W J	1	
	R715	RK73HB1J106J	MG RESISTOR	10MΩ 1/16W J	1	
	R722	RK73HB1J123J	MG RESISTOR	12kΩ 1/16W J	1	
	R723	RK73HB1J123J	MG RESISTOR	12kΩ 1/16W J	1	M1,M2,X1,M3,M4,X2
	R724	RK73HB1J123J	MG RESISTOR	12kΩ 1/16W J	1	E2,R2,Q2,K1,E1,R1,Q1,K 0
	R725	RK73HB1J473J	MG RESISTOR	47kΩ 1/16W J	1	K1,K0

MODEL	MARK	MODEL	MARK	MODEL	MARK	MODEL	MARK
DDX3021E	E2	DDX3049R	R2	DDX3051Q	Q2	DDX319K	K1
DDX4021BTE	E1	DDX4031BTM	M1	DDX4031BTMM	M2	DDX4031BTX	X1
DDX4031M	M3	DDX4031MM	M4	DDX4031X	X2	DDX4049BTR	R1
DDX4051BTQ	Q1	DDX419K	K0				

Safe	Symbol No.	Parts No.	Parts Name	Description	QTY	Local
	R726	RK73HB1J473J	MG RESISTOR	47kΩ 1/16W J	1	
	R729	RK73GB2A473J	MG RESISTOR	47kΩ 1/16W J	1	
	R734	RK73HB1J472J	MG RESISTOR	4.7kΩ 1/16W J	1	
	R735	RK73HB1J472J	MG RESISTOR	4.7kΩ 1/16W J	1	
	R741	RK73HB1J473J	MG RESISTOR	47kΩ 1/16W J	1	
	R743	RK73HB1J104J	MG RESISTOR	100kΩ 1/16W J	1	
	R748	RK73HB1J104J	MG RESISTOR	100kΩ 1/16W J	1	
	R749	RK73HB1J473J	MG RESISTOR	47kΩ 1/16W J	1	
	R750	RK73HB1J473J	MG RESISTOR	47kΩ 1/16W J	1	E2,R2,Q2,E1,M1,M2,X1, M3,M4,X2,R1,Q1
	R752	RK73HB1J473J	MG RESISTOR	47kΩ 1/16W J	1	K1,K0
	R753	RK73HB1J473J	MG RESISTOR	47kΩ 1/16W J	1	E1,M1,M2,X1,R1,Q1,K0
	R758	RK73HB1J473J	MG RESISTOR	47kΩ 1/16W J	1	E2,R2,Q2,K1,M3,M4,X2
	R765	RK73HB1J472J	MG RESISTOR	4.7kΩ 1/16W J	1	
	R766	RK73HB1J472J	MG RESISTOR	4.7kΩ 1/16W J	1	
	R774	RK73HB1J473J	MG RESISTOR	47kΩ 1/16W J	1	
	R776	RK73HB1J472J	MG RESISTOR	4.7kΩ 1/16W J	1	
	R777	RK73HB1J272J	MG RESISTOR	2.7kΩ 1/16W J	1	
	R780	RK73HB1J103J	MG RESISTOR	10kΩ 1/16W J	1	
	R781	RK73HB1J103J	MG RESISTOR	10kΩ 1/16W J	1	
	R790	RK73HB1J223J	MG RESISTOR	22kΩ 1/16W J	1	
	R792	RK73HB1J223J	MG RESISTOR	22kΩ 1/16W J	1	
	R796	RK73HB1J473J	MG RESISTOR	47kΩ 1/16W J	1	
	R797	RK73HB1J473J	MG RESISTOR	47kΩ 1/16W J	1	
	R798	RK73HB1J473J	MG RESISTOR	47kΩ 1/16W J	1	
	R799	RK73HB1J474J	MG RESISTOR	470kΩ 1/16W J	1	
	R800	RK73HB1J000J	MG RESISTOR	0Ω 1/16W J	1	
	R801	RK73GH2A103D	MG RESISTOR	10kΩ 1/16W D	1	
	R803	RK73GH2A562D	MG RESISTOR	5.6kΩ 1/16W D	1	
	R806	RK73HH1J472D	MG RESISTOR	4.7kΩ 1/16W D	1	
	R807	RK73HH1J273D	MG RESISTOR	27kΩ 1/16W D	1	
	R808	RK73HB1J331J	MG RESISTOR	330Ω 1/16W J	1	
	R809	RK73HB1J821J	MG RESISTOR	820Ω 1/16W J	1	
	R811	RK73HB1J300J	MG RESISTOR	30Ω 1/16W J	1	
	R813	RK73HB1J271J	MG RESISTOR	270Ω 1/16W J	1	
	R814	RK73FB2B000J	MG RESISTOR	0Ω 1/10W J	1	E2,Q2,E1,Q1
	R815	RK73FB2B000J	MG RESISTOR	0Ω 1/10W J	1	
	R871	RK73HB1J223J	MG RESISTOR	22kΩ 1/16W J	1	R2,K1,M1,M2,X1,M3,M4, X2,R1,K0
	R872	RK73HB1J103J	MG RESISTOR	10kΩ 1/16W J	1	
	R873	RK73HB1J471J	MG RESISTOR	470Ω 1/16W J	1	
	R874	RK73HB1J472J	MG RESISTOR	4.7kΩ 1/16W J	1	
	R875	RK73HB1J103J	MG RESISTOR	10kΩ 1/16W J	1	
	R923	RK73FB2B000J	MG RESISTOR	0Ω 1/10W J	1	
	R931	RK73FB2B470J	MG RESISTOR	47Ω 1/10W J	1	M1,M2,X1,M3,M4,X2
	R932	RK73FB2B470J	MG RESISTOR	47Ω 1/10W J	1	M1,M2,X1,M3,M4,X2
	R933	RK73HH1J472D	MG RESISTOR	4.7kΩ 1/16W D	1	M1,M2,X1,M3,M4,X2
	R934	RK73HH1J472D	MG RESISTOR	4.7kΩ 1/16W D	1	M1,M2,X1,M3,M4,X2
	R935	R92-5603-08	MG RESISTOR	240Ω 1/10W D	1	M1,M2,X1,M3,M4,X2
	R936	R92-5603-08	MG RESISTOR	240Ω 1/10W D	1	M1,M2,X1,M3,M4,X2
	R937	RK73HB1J104J	MG RESISTOR	100kΩ 1/16W J	1	M1,M2,X1,M3,M4,X2
	R938	RK73HB1J104J	MG RESISTOR	100kΩ 1/16W J	1	M1,M2,X1,M3,M4,X2
	R939	RK73HB1J102J	MG RESISTOR	1kΩ 1/16W J	1	M1,M2,X1,M3,M4,X2
	R940	RK73HB1J102J	MG RESISTOR	1kΩ 1/16W J	1	M1,M2,X1,M3,M4,X2
	R941	RK73HB1J152J	MG RESISTOR	1.5kΩ 1/16W J	1	M1,M2,X1,M3,M4,X2
	R942	RK73HB1J152J	MG RESISTOR	1.5kΩ 1/16W J	1	M1,M2,X1,M3,M4,X2
	R943	RK73HB1J681J	MG RESISTOR	680Ω 1/16W J	1	M1,M2,X1,M3,M4,X2
	R944	RK73HB1J681J	MG RESISTOR	680Ω 1/16W J	1	M1,M2,X1,M3,M4,X2
	R945	R92-5604-08	MG RESISTOR	270Ω 1/10W D	1	M1,M2,X1,M3,M4,X2
	R946	R92-5604-08	MG RESISTOR	270Ω 1/10W D	1	M1,M2,X1,M3,M4,X2
	R961	RK73HB1J152J	MG RESISTOR	1.5kΩ 1/16W J	1	
	R971	RK73FB2B683J	MG RESISTOR	68kΩ 1/10W J	1	
	R972	RK73FB2B473J	MG RESISTOR	47kΩ 1/10W J	1	
	R973	RK73HB1J153J	MG RESISTOR	15kΩ 1/16W J	1	
	R974	RK73HB1J473J	MG RESISTOR	47kΩ 1/16W J	1	
	R975	RK73HB1J103J	MG RESISTOR	10kΩ 1/16W J	1	
	R976	RK73HB1J822J	MG RESISTOR	8.2kΩ 1/16W J	1	
	R1101	RK73HB1J000J	MG RESISTOR	0Ω 1/16W J	1	
	R1102	RK73HB1J750J	MG RESISTOR	75Ω 1/16W J	1	
	R1103	RK73HB1J510J	MG RESISTOR	51Ω 1/16W J	1	
	R1110	RK73HB1J000J	MG RESISTOR	0Ω 1/16W J	1	E2,R2,Q2,E1,M1,M2,X1, M3,M4,X2,R1,Q1
	R1111	RK73HB1J000J	MG RESISTOR	0Ω 1/16W J	1	
	R1112	RK73HB1J750J	MG RESISTOR	75Ω 1/16W J	1	
	R1113	RK73HB1J510J	MG RESISTOR	51Ω 1/16W J	1	
	R1121	RK73FB2B101J	MG RESISTOR	100Ω 1/10W J	1	
	R1122	RK73GB2A473J	MG RESISTOR	47kΩ 1/16W J	1	
	R1123	RK73HB1J471J	MG RESISTOR	470Ω 1/16W J	1	
	R1124	RK73HB1J472J	MG RESISTOR	4.7kΩ 1/16W J	1	
	R1131	RK73FB2B101J	MG RESISTOR	100Ω 1/10W J	1	
	R1132	RK73GB2A473J	MG RESISTOR	47kΩ 1/16W J	1	
	R1133	RK73HB1J471J	MG RESISTOR	470Ω 1/16W J	1	
	R1134	RK73HB1J472J	MG RESISTOR	4.7kΩ 1/16W J	1	

MODEL	MARK	MODEL	MARK	MODEL	MARK	MODEL	MARK
DDX3021E	E2	DDX3049R	R2	DDX3051Q	Q2	DDX319K	K1
DDX4021BTE	E1	DDX4031BTM	M1	DDX4031BTMM	M2	DDX4031BTX	X1
DDX4031M	M3	DDX4031MM	M4	DDX4031X	X2	DDX4049BTR	R1
DDX4051BTQ	Q1	DDX419K	K0				

Safe	Symbol No.	Parts No.	Parts Name	Description	QTY	Local
	R1141	RK73FB2B101J	MG RESISTOR	100Ω 1/10W J	1	
	R1142	RK73GB2A473J	MG RESISTOR	47kΩ 1/16W J	1	
	R1143	RK73HB1J472J	MG RESISTOR	4.7kΩ 1/16W J	1	
	R1144	RK73HB1J471J	MG RESISTOR	470Ω 1/16W J	1	
	R1151	RK73GB2A222J	MG RESISTOR	2.2kΩ 1/16W J	1	
	R1152	RK73GB2A473J	MG RESISTOR	47kΩ 1/16W J	1	
	R1154	RK73FB2B100J	MG RESISTOR	10Ω 1/10W J	1	K1,K0
	R1166	RK73GB2A332J	MG RESISTOR	3.3kΩ 1/16W J	1	
	R1181	RK73HB1J000J	MG RESISTOR	0Ω 1/16W J	1	
	R1182	RK73HB1J103J	MG RESISTOR	10kΩ 1/16W J	1	
	R1184	RK73HB1J000J	MG RESISTOR	0Ω 1/16W J	1	
	R1191	RK73HB1J472J	MG RESISTOR	4.7kΩ 1/16W J	1	
	R1192	RK73HB1J472J	MG RESISTOR	4.7kΩ 1/16W J	1	
	R1193	RK73HB1J472J	MG RESISTOR	4.7kΩ 1/16W J	1	
	R1194	RK73HB1J101J	MG RESISTOR	100Ω 1/16W J	1	
	R1195	RK73HB1J101J	MG RESISTOR	100Ω 1/16W J	1	
	R1196	RK73HB1J472J	MG RESISTOR	4.7kΩ 1/16W J	1	
	R1201	RK73HB1J000J	MG RESISTOR	0Ω 1/16W J	1	
	R1202	RK73HB1J750J	MG RESISTOR	75Ω 1/16W J	1	
	R1203	RK73HB1J510J	MG RESISTOR	51Ω 1/16W J	1	
	R1210	RK73HB1J000J	MG RESISTOR	0Ω 1/16W J	1	E2,R2,Q2,E1,M1,M2,X1, M3,M4,X2,R1,Q1
	R1211	RK73HB1J000J	MG RESISTOR	0Ω 1/16W J	1	
	R1212	RK73HB1J750J	MG RESISTOR	75Ω 1/16W J	1	
	R1213	RK73HB1J510J	MG RESISTOR	51Ω 1/16W J	1	
	R1221	RK73FB2B101J	MG RESISTOR	100Ω 1/10W J	1	
	R1222	RK73GB2A473J	MG RESISTOR	47kΩ 1/16W J	1	
	R1223	RK73HB1J471J	MG RESISTOR	470Ω 1/16W J	1	
	R1224	RK73HB1J472J	MG RESISTOR	4.7kΩ 1/16W J	1	
	R1231	RK73FB2B101J	MG RESISTOR	100Ω 1/10W J	1	
	R1232	RK73GB2A473J	MG RESISTOR	47kΩ 1/16W J	1	
	R1233	RK73HB1J471J	MG RESISTOR	470Ω 1/16W J	1	
	R1234	RK73HB1J472J	MG RESISTOR	4.7kΩ 1/16W J	1	
	R1241	RK73FB2B101J	MG RESISTOR	100Ω 1/10W J	1	
	R1242	RK73GB2A473J	MG RESISTOR	47kΩ 1/16W J	1	
	R1243	RK73HB1J472J	MG RESISTOR	4.7kΩ 1/16W J	1	
	R1244	RK73HB1J471J	MG RESISTOR	470Ω 1/16W J	1	
	R1251	RK73GB2A222J	MG RESISTOR	2.2kΩ 1/16W J	1	
	R1252	RK73GB2A473J	MG RESISTOR	47kΩ 1/16W J	1	
	R1254	RK73FB2B100J	MG RESISTOR	10Ω 1/10W J	1	K1,K0
	R1266	RK73GB2A332J	MG RESISTOR	3.3kΩ 1/16W J	1	
	R1281	RK73HB1J000J	MG RESISTOR	0Ω 1/16W J	1	
	R1282	RK73HB1J103J	MG RESISTOR	10kΩ 1/16W J	1	
	R1284	RK73HB1J000J	MG RESISTOR	0Ω 1/16W J	1	
	R1291	RK73HB1J472J	MG RESISTOR	4.7kΩ 1/16W J	1	
	R1292	RK73HB1J472J	MG RESISTOR	4.7kΩ 1/16W J	1	
	R1293	RK73HB1J472J	MG RESISTOR	4.7kΩ 1/16W J	1	
	R1294	RK73HB1J101J	MG RESISTOR	100Ω 1/16W J	1	
	R1295	RK73HB1J101J	MG RESISTOR	100Ω 1/16W J	1	
	R1296	RK73HB1J472J	MG RESISTOR	4.7kΩ 1/16W J	1	
	R1301	RK73HB1J333J	MG RESISTOR	33kΩ 1/16W J	1	
	R1302	RK73HB1J473J	MG RESISTOR	47kΩ 1/16W J	1	
	R1303	RK73HB1J473J	MG RESISTOR	47kΩ 1/16W J	1	
	R1304	RK73HB1J331J	MG RESISTOR	330Ω 1/16W J	1	
	R1307	RK73HB1J430J	MG RESISTOR	43Ω 1/16W J	1	
	R1308	RK73HB1J123J	MG RESISTOR	12kΩ 1/16W J	1	
	R1309	RK73HB1J123J	MG RESISTOR	12kΩ 1/16W J	1	
	R1310	RK73HB1J000J	MG RESISTOR	0Ω 1/16W J	1	E2,R2,Q2,E1,M1,M2,X1, M3,M4,X2,R1,Q1
	R1311	RK73HB1J000J	MG RESISTOR	0Ω 1/16W J	1	
	R1314	RK73HB1J104J	MG RESISTOR	100kΩ 1/16W J	1	
	R1315	RK73HB1J000J	MG RESISTOR	0Ω 1/16W J	1	
	R1316	RK73HB1J104J	MG RESISTOR	100kΩ 1/16W J	1	
	R1317	RK73HB1J104J	MG RESISTOR	100kΩ 1/16W J	1	K1,K0
	R1325	RK73HB1J000J	MG RESISTOR	0Ω 1/16W J	1	E2,R2,Q2,E1,M1,M2,X1, M3,M4,X2,R1,Q1
	R1326	RK73FB2B101J	MG RESISTOR	100Ω 1/10W J	1	K1,K0
	R1327	RK73HB1J104J	MG RESISTOR	100kΩ 1/16W J	1	
	R1350	RK73FB2B100J	MG RESISTOR	10Ω 1/10W J	1	
	R1352	RK73FB2B4R7J	MG RESISTOR	4.7Ω 1/10W J	1	K1,K0
	R1356	RK73FB2B101J	MG RESISTOR	100Ω 1/10W J	1	K1,K0
	R1357	RK73HB1J000J	MG RESISTOR	0Ω 1/16W J	1	K1,K0
	R1358	RK73HB1J000J	MG RESISTOR	0Ω 1/16W J	1	E2,R2,Q2,E1,M1,M2,X1, M3,M4,X2,R1,Q1
	R1359	RK73FB2B101J	MG RESISTOR	100Ω 1/10W J	1	K1,K0
	R1360	RK73HB1J000J	MG RESISTOR	0Ω 1/16W J	1	K1,K0
	R1363	RK73HB1J104J	MG RESISTOR	100kΩ 1/16W J	1	
	R1364	RK73HB1J000J	MG RESISTOR	0Ω 1/16W J	1	
	R1368	RK73HB1J102J	MG RESISTOR	1kΩ 1/16W J	1	
	R1369	RK73HB1J103J	MG RESISTOR	10kΩ 1/16W J	1	
	R1370	RK73HB1J103J	MG RESISTOR	10kΩ 1/16W J	1	
	R1371	RK73HB1J221J	MG RESISTOR	220Ω 1/16W J	1	
	R1372	RK73HB1J104J	MG RESISTOR	100kΩ 1/16W J	1	
	R1373	RK73HB1J222J	MG RESISTOR	2.2kΩ 1/16W J	1	

MODEL	MARK	MODEL	MARK	MODEL	MARK	MODEL	MARK
DDX3021E	E2	DDX3049R	R2	DDX3051Q	Q2	DDX319K	K1
DDX4021BTE	E1	DDX4031BTM	M1	DDX4031BTMM	M2	DDX4031BTX	X1
DDX4031M	M3	DDX4031MM	M4	DDX4031X	X2	DDX4049BTR	R1
DDX4051BTQ	Q1	DDX419K	K0				

Safe	Symbol No.	Parts No.	Parts Name	Description	QTY	Local
	R1374	RK73HB1J101J	MG RESISTOR	100Ω 1/16W J	1	
	R1375	RK73HB1J472J	MG RESISTOR	4.7kΩ 1/16W J	1	
	R1378	RK73HB1J300J	MG RESISTOR	30Ω 1/16W J	1	
	R1379	RK73HB1J100J	MG RESISTOR	10Ω 1/16W J	1	
	R1381	RK73HB1J000J	MG RESISTOR	0Ω 1/16W J	1	
	R1382	RK73FB2B132J	MG RESISTOR	1.3kΩ 1/10W J	1	
	R1384	RK73HB1J000J	MG RESISTOR	0Ω 1/16W J	1	
	R1385	RK73HB1J102J	MG RESISTOR	1kΩ 1/16W J	1	
	R1386	RK73HB1J222J	MG RESISTOR	2.2kΩ 1/16W J	1	
	R1391	RK73HB1J103J	MG RESISTOR	10kΩ 1/16W J	1	
	R1392	RK73HB1J103J	MG RESISTOR	10kΩ 1/16W J	1	
	R1393	RK73HB1J103J	MG RESISTOR	10kΩ 1/16W J	1	
	R1394	RK73HB1J103J	MG RESISTOR	10kΩ 1/16W J	1	
	R1401	RK73FB2B101J	MG RESISTOR	100Ω 1/10W J	1	
	R1402	RK73HB1J473J	MG RESISTOR	47kΩ 1/16W J	1	
	R1403	RK73HB1J471J	MG RESISTOR	470Ω 1/16W J	1	
	R1404	RK73HB1J472J	MG RESISTOR	4.7kΩ 1/16W J	1	
	R1502	RK73HB1J473J	MG RESISTOR	47kΩ 1/16W J	1	
	R1503	RK73HB1J222J	MG RESISTOR	2.2kΩ 1/16W J	1	
	R1542	RK73HB1J000J	MG RESISTOR	0Ω 1/16W J	1	K1,K0
	R1601	RK73HB1J100J	MG RESISTOR	10Ω 1/16W J	1	
	R1912	RK73EB2E332J	MG RESISTOR	3.3kΩ 1/8W J	1	
	R1921	RK73FB2B472J	MG RESISTOR	4.7kΩ 1/10W J	1	
	R1931	RK73HB1J103J	MG RESISTOR	10kΩ 1/16W J	1	
	R1932	RK73HB1J683J	MG RESISTOR	68kΩ 1/16W J	1	
	R1933	RK73HB1J123J	MG RESISTOR	12kΩ 1/16W J	1	
	R1941	RK73HB1J473J	MG RESISTOR	47kΩ 1/16W J	1	
	R1942	RK73HB1J223J	MG RESISTOR	22kΩ 1/16W J	1	
	R1944	RK73HB1J223J	MG RESISTOR	22kΩ 1/16W J	1	
	R1945	RK73HB1J471J	MG RESISTOR	470Ω 1/16W J	1	
	R1946	RK73HB1J473J	MG RESISTOR	47kΩ 1/16W J	1	
	R1947	RK73HB1J473J	MG RESISTOR	47kΩ 1/16W J	1	
	R1948	RK73HB1J223J	MG RESISTOR	22kΩ 1/16W J	1	
	R1952	RK73HB1J472J	MG RESISTOR	4.7kΩ 1/16W J	1	
	R1953	RK73HB1J273J	MG RESISTOR	27kΩ 1/16W J	1	
	R1961	RK73HB1J103J	MG RESISTOR	10kΩ 1/16W J	1	
	R1971	RK73FB2B132J	MG RESISTOR	1.5kΩ 1/8W J	1	
	R6221	RK73HB1J333J	MG RESISTOR	33kΩ 1/16W J	1	
	R6222	RK73HB1J333J	MG RESISTOR	33kΩ 1/16W J	1	
	R7008	RK73HB1J102J	MG RESISTOR	1kΩ 1/16W J	1	
	R7011	RK73HB1J101J	MG RESISTOR	100Ω 1/16W J	1	K1,K0
	R7014	RK73HB1J154J	MG RESISTOR	150kΩ 1/16W J	1	
	R7017	RK73HB1J101J	MG RESISTOR	100Ω 1/16W J	1	
	R7024	RK73HB1J473J	MG RESISTOR	47kΩ 1/16W J	1	
	R7025	RK73HB1J101J	MG RESISTOR	100Ω 1/16W J	1	
	R7038	RK73HB1J101J	MG RESISTOR	100Ω 1/16W J	1	
	R7040	RK73HB1J473J	MG RESISTOR	47kΩ 1/16W J	1	
	R7046	RK73HB1J222J	MG RESISTOR	2.2kΩ 1/16W J	1	
	R7048	RK73HB1J472J	MG RESISTOR	4.7kΩ 1/16W J	1	
	R7062	RK73HB1J102J	MG RESISTOR	1kΩ 1/16W J	1	
	R7063	RK73HB1J102J	MG RESISTOR	1kΩ 1/16W J	1	
	R7064	RK73HB1J102J	MG RESISTOR	1kΩ 1/16W J	1	
	R7065	RK73HB1J221J	MG RESISTOR	220Ω 1/16W J	1	
	R7066	RK73HB1J221J	MG RESISTOR	220Ω 1/16W J	1	
	R7072	RK73GB2A102J	MG RESISTOR	1kΩ 1/16W J	1	
	R7073	RK73GB2A102J	MG RESISTOR	1kΩ 1/16W J	1	
	R7088	RK73HB1J102J	MG RESISTOR	1kΩ 1/16W J	1	
	R7089	RK73HB1J102J	MG RESISTOR	1kΩ 1/16W J	1	
	R7092	RK73HB1J102J	MG RESISTOR	1kΩ 1/16W J	1	
	R7093	RK73HB1J102J	MG RESISTOR	1kΩ 1/16W J	1	
	R7095	RK73HB1J102J	MG RESISTOR	1kΩ 1/16W J	1	
	R7103	RK73HB1J101J	MG RESISTOR	100Ω 1/16W J	1	
	R7115	RK73HB1J222J	MG RESISTOR	2.2kΩ 1/16W J	1	
	R7116	RK73HB1J222J	MG RESISTOR	2.2kΩ 1/16W J	1	
	R7117	RK73HB1J000J	MG RESISTOR	0Ω 1/16W J	1	
	R7118	RK73HB1J472J	MG RESISTOR	4.7kΩ 1/16W J	1	
	R7119	RK73HB1J102J	MG RESISTOR	1kΩ 1/16W J	1	
	R7121	RK73HB1J102J	MG RESISTOR	1kΩ 1/16W J	1	
	R7122	RK73HB1J102J	MG RESISTOR	1kΩ 1/16W J	1	
	R7130	RK73HB1J101J	MG RESISTOR	100Ω 1/16W J	1	
	R7201	RK73HB1J473J	MG RESISTOR	47kΩ 1/16W J	1	
	R7202	RK73HB1J473J	MG RESISTOR	47kΩ 1/16W J	1	
	R7301	RK73HB1J223J	MG RESISTOR	22kΩ 1/16W J	1	
	R7302	RK73HB1J473J	MG RESISTOR	47kΩ 1/16W J	1	
	R7303	RK73HB1J223J	MG RESISTOR	22kΩ 1/16W J	1	
	R7304	RK73HB1J103J	MG RESISTOR	10kΩ 1/16W J	1	
	R7502	RK73HB1J101J	MG RESISTOR	100Ω 1/16W J	1	
	R7505	RK73HB1J912J	MG RESISTOR	9.1kΩ 1/16W J	1	
	R7506	RK73HB1J104J	MG RESISTOR	100kΩ 1/16W J	1	
	R7777	RK73HB1J103J	MG RESISTOR	10kΩ 1/16W J	1	
	R8000	RK73HB1J102J	MG RESISTOR	1kΩ 1/16W J	1	
	R8001	RK73HB1J102J	MG RESISTOR	1kΩ 1/16W J	1	
	R8005	RK73EB2E100J	MG RESISTOR	10Ω 1/8W J	1	
	R8006	RK73HB1J103J	MG RESISTOR	10kΩ 1/16W J	1	
	R8007	RK73HH1J104D	MG RESISTOR	100kΩ 1/16W D	1	
	R8008	R92-5251-08	MG RESISTOR	24kΩ 1/16W D	1	
	R8009	RK73HB1J103J	MG RESISTOR	10kΩ 1/16W J	1	
	R8010	RK73HB1J103J	MG RESISTOR	10kΩ 1/16W J	1	

MODEL	MARK	MODEL	MARK	MODEL	MARK	MODEL	MARK
DDX3021E	E2	DDX3049R	R2	DDX3051Q	Q2	DDX319K	K1
DDX4021BTE	E1	DDX4031BTM	M1	DDX4031BTMM	M2	DDX4031BTX	X1
DDX4031M	M3	DDX4031MM	M4	DDX4031X	X2	DDX4049BTR	R1
DDX4051BTQ	Q1	DDX419K	K0				

Safe	Symbol No.	Parts No.	Parts Name	Description	QTY	Local
	R8030	RK73HB1J103J	MG RESISTOR	10kΩ 1/16W J	1	
	R8031	RK73HB1J102J	MG RESISTOR	1kΩ 1/16W J	1	
	R8032	RK73HB1J103J	MG RESISTOR	10kΩ 1/16W J	1	
	R8033	RK73HB1J102J	MG RESISTOR	1kΩ 1/16W J	1	
	R8034	RK73EB2E100J	MG RESISTOR	10Ω 1/8W J	1	
	R8036	RK73HB1J103J	MG RESISTOR	10kΩ 1/16W J	1	
	R8037	RK73HH1J104D	MG RESISTOR	100kΩ 1/16W D	1	
	R8038	R92-5251-08	MG RESISTOR	24kΩ 1/16W D	1	
	R8039	RK73HB1J000J	MG RESISTOR	0Ω 1/16W J	1	
	R8041	RK73HB1J223J	MG RESISTOR	22kΩ 1/16W J	1	
	R8042	RK73HB1J103J	MG RESISTOR	10kΩ 1/16W J	1	
	R8101	RK73HB1J683J	MG RESISTOR	68kΩ 1/16W J	1	
	R8102	RK73HB1J823J	MG RESISTOR	82kΩ 1/16W J	1	
	R8103	RK73HH1J333D	MG RESISTOR	33kΩ 1/16W D	1	
	R8104	RK73HH1J333D	MG RESISTOR	33kΩ 1/16W D	1	
	R8105	RK73HB1J121J	MG RESISTOR	120Ω 1/16W J	1	
	R8106	RK73HB1J222J	MG RESISTOR	2.2kΩ 1/16W J	1	
	R8107	RK73HB1J222J	MG RESISTOR	2.2kΩ 1/16W J	1	
	R8109	RK73HH1J471D	MG RESISTOR	470Ω 1/16W D	1	
	R8110	RK73HH1J122D	MG RESISTOR	1.2kΩ 1/16W D	1	
	R8111	RK73HH1J102D	MG RESISTOR	1kΩ 1/16W D	1	
	R8115	RK73HB1J5R6J	MG RESISTOR	5.6Ω 1/16W J	1	
	R8201	RK73HB1J683J	MG RESISTOR	68kΩ 1/16W J	1	
	R8202	RK73HB1J683J	MG RESISTOR	68kΩ 1/16W J	1	
	R8203	RK73HH1J333D	MG RESISTOR	33kΩ 1/16W D	1	
	R8204	RK73HH1J333D	MG RESISTOR	33kΩ 1/16W D	1	
	R8205	RK73HB1J562J	MG RESISTOR	5.6kΩ 1/16W J	1	
	R8206	RK73HB1J821J	MG RESISTOR	820Ω 1/16W J	1	
	R8207	RK73HB1J471J	MG RESISTOR	470Ω 1/16W J	1	
	R8208	RK73HB1J103J	MG RESISTOR	10kΩ 1/16W J	1	
	R8209	RK73HH1J472D	MG RESISTOR	4.7kΩ 1/16W D	1	
	R8210	RK73HH1J123D	MG RESISTOR	12kΩ 1/16W D	1	
	R8211	RK73HH1J102D	MG RESISTOR	1kΩ 1/16W D	1	
	R8212	RK73HB1J333J	MG RESISTOR	33kΩ 1/16W J	1	
	R8213	RK73HB1J123J	MG RESISTOR	12kΩ 1/16W J	1	
	R8214	RK73HB1J150J	MG RESISTOR	15Ω 1/16W J	1	
	R8215	RK73HB1J100J	MG RESISTOR	10Ω 1/16W J	1	
	R8216	RK73FB2B100J	MG RESISTOR	10Ω 1/10W J	1	
	R8217	RK73HB1J000J	MG RESISTOR	0Ω 1/16W J	1	
	R8301	RK73HB1J333J	MG RESISTOR	33kΩ 1/16W J	1	
	R8302	RK73HB1J473J	MG RESISTOR	47kΩ 1/16W J	1	
	R8303	RK73HB1J122J	MG RESISTOR	1.2kΩ 1/16W J	1	
	R8309	RK73HB1J000J	MG RESISTOR	0Ω 1/16W J	1	
	R9993	RK73HB1J000J	MG RESISTOR	0Ω 1/16W J	1	
	R9998	RK73GB2A000J	MG RESISTOR	0Ω 1/10W J	1	
	R9999	RK73GB2A000J	MG RESISTOR	0Ω 1/10W J	1	
	RA131	RK74HB1J392J	NET RESISTOR	3.9kΩ J	1	
	RA722	RK74HB1J102J	NET RESISTOR	1kΩ J	1	E1,M1,M2,X1,R1,Q1,K0
	RA723	RK74HB1J470J	NET RESISTOR	47Ω J	1	
	RA724	RK74HB1J102J	NET RESISTOR	1kΩ J	1	
	RA725	RK74HB1J102J	NET RESISTOR	1kΩ J	1	
	RA729	RK74HB1J101J	NET RESISTOR	100Ω J	1	
	RA731	RK74HB1J102J	NET RESISTOR	1kΩ J	1	
	L1	L30-0790-08	RF COIL		1	
	L2	L33-2620-08	COIL	560uH J	1	
	L3	L40-2781-86	P COIL	0.27uH K	1	
	L5	L33-2620-08	COIL	560uH J	1	
	L6	L33-2497-08	COIL	4.7uH M	1	
	L8	L40-4781-86	P COIL	0.47uH K	1	
	L9	L33-2657-08	P COIL	4.7uH K	1	
	L10	L40-4781-86	P COIL	0.47uH K	1	
	L11	L33-2500-08	P COIL	1.8uH K	1	
	L801	L33-2505-08	COIL	22uH M	1	
	L901	L33-2436-05	CHOKE COIL		1	
	L902	L33-2625-08	COIL	100uH M	1	
	L961	L92-1001-05	CHOKE COIL		1	
	L8001	L33-2493-05	COIL	22uH M	1	
	L8002	L33-2505-08	COIL	22uH M	1	
	L8031	L33-2493-05	COIL	22uH M	1	
	L8101	L33-2493-05	COIL	22uH M	1	
	L8201	L33-2653-08	COIL	47uH M	1	
	CN101	E41-3070-08	CONNECTOR	W-B (1-4)	1	
	CN103	E41-3299-08	CONNECTOR	FFC/FPC (1-12)	1	E1,M1,M2,X1,R1,Q1,K0
	CN104	E41-3364-08	CONNECTOR	FFC/FPC (1-14)	1	
	CN105	E41-3365-08	CONNECTOR	FFC/FPC (1-50)	1	
	CN108	E41-3366-08	CONNECTOR	FFC/FPC (1-12)	1	
	CN110	E41-2248-05	CONNECTOR	W-B (1-8)	1	
	CN111	E41-1685-05	CONNECTOR	W-B (1-5)	1	
	CN112	E41-3067-08	CONNECTOR	W-B (1-2)	1	
	CN114	E58-1124-05	CONNECTOR	(1-20)	1	
	CN115	E58-1124-05	CONNECTOR	(1-20)	1	
	CN119	E40-6526-05	CONNECTOR	W-B (1-3)	1	M1,M2,X1,M3,M4,X2
	CN901	E58-0991-05	CAR CONNECTOR		1	
△	F151	F53-0469-08	FUSE	5A	1	K1,K0
△	F801	F53-0469-08	FUSE	5A	1	
△	F831	F53-0470-08	FUSE	2A	1	
△	F901	F52-0023-05	FUSE	10A	1	
	J101	E04-0346-08	ANT TERMINAL		1	

MODEL	MARK	MODEL	MARK	MODEL	MARK	MODEL	MARK
DDX3021E	E2	DDX3049R	R2	DDX3051Q	Q2	DDX319K	K1
DDX4021BTE	E1	DDX4031BTM	M1	DDX4031BTMM	M2	DDX4031BTX	X1
DDX4031M	M3	DDX4031MM	M4	DDX4031X	X2	DDX4049BTR	R1
DDX4051BTQ	Q1	DDX419K	K0				

Safe	Symbol No.	Parts No.	Parts Name	Description	QTY	Local
	J151	QNZ0907-001	CIR CONNECTOR		1	K1,K0
	J1001	E63-0998-08	PIN JACK		1	
	J1003	E11-0680-08	3.5 JACK		1	
	K1	NQR0269-026X	FERRITE BEADS	10.500mA	1	
	TH131	NAD0052-471X	P THERMISTOR	470Ω	1	
	VA111	VR1005CCA270	VARIISTOR(ZNR)	27V	1	
	VA121	VR1005CCA270	VARIISTOR(ZNR)	27V	1	
	VA131	VR1005CCA270	VARIISTOR(ZNR)	27V	1	
	VA151	VR1005CCA270	VARIISTOR(ZNR)	27V	1	K1,K0
	VA152	VR1005CCA270	VARIISTOR(ZNR)	27V	1	K1,K0
	VA153	VR1005CCA270	VARIISTOR(ZNR)	27V	1	K1,K0
	VA154	VR1005CCA270	VARIISTOR(ZNR)	27V	1	K1,K0
	VA155	VR1005CCA270	VARIISTOR(ZNR)	27V	1	K1,K0
	VA156	VR1005CCA270	VARIISTOR(ZNR)	27V	1	K1,K0
	VA941	VR1005CCA270	VARIISTOR(ZNR)	27V	1	
	X1	L77-3840-08	CRYSTAL		1	
	X701	L77-3887-08	CRYSTAL		1	
	X702	L77-3806-08	CRYSTAL	32.768KHz	1	
<b>PANEL-A UNIT (LVA11039-13A) &lt;PA&gt;</b>						
	IC401	MN103SH23	IC(MCU)		1	
	IC404	NL17SZ17XV5-X	IC(DIGITAL)		1	
	IC405	XC6213B122NGX	IC		1	
	IC406	TC7SP3125TU-X	IC(DIGITAL)		1	
	IC431	A3V28S40FTP-G6	IC		1	
	IC441	JVM575C	PROGRAMED IC	IC441 IC451 will need to be replaced in pairs	1	
	IC451	JVM576C	PROGRAMED IC	IC441 IC451 will need to be replaced in pairs	1	
	IC501	NJM2831F92-X	IC		1	
	IC511	NJM2904V-X	IC		1	
	Q4002	DRC9114E	DIGI TRANSISTOR		1	
	Q4601	DSA5001/R/	TRANSISTOR		1	
	Q4611	DSA5001/R/	TRANSISTOR		1	
	Q4621	DSA5001/R/	TRANSISTOR		1	
	Q4631	DSA5001/R/	TRANSISTOR		1	
	Q5201	DRC9114E	DIGI TRANSISTOR		1	
	Q5202	DSC5001/R/	TRANSISTOR		1	
	Q5203	DSC5001/R/	TRANSISTOR		1	
	Q5301	DSA5001/R/	TRANSISTOR		1	
	Q5302	DSA5001/R/	TRANSISTOR		1	
	D4001	HSU119TRF-E	SI DIODE		1	
	D5201	HSU119TRF-E	SI DIODE		1	
	D5202	RKZ18B2KG-X	Z DIODE		1	
	C4001	CC73HCH1H060D	C CAPACITOR	6pF 50V J	1	
	C4002	CC73HCH1H060D	C CAPACITOR	6pF 50V J	1	
	C4010	CK73HB1A104K	C CAPACITOR	0.1uF 10V K	1	
	C4013	CK73HB1A104K	C CAPACITOR	0.1uF 10V K	1	
	C4019	CK73HB1A104K	C CAPACITOR	0.1uF 10V K	1	
	C4020	CK73HB0J105K	C CAPACITOR	1uF 6.3V K	1	
	C4028	CK73HB1A104K	C CAPACITOR	0.1uF 10V K	1	
	C4038	CK73HB1A104K	C CAPACITOR	0.1uF 10V K	1	
	C4039	CK73HB0J105K	C CAPACITOR	1uF 6.3V K	1	
	C4049	CK73HB1A104K	C CAPACITOR	0.1uF 10V K	1	
	C4051	CK73HB1A104K	C CAPACITOR	0.1uF 10V K	1	
	C4055	CK73HB1A104K	C CAPACITOR	0.1uF 10V K	1	
	C4056	CK73FB0J106K	C CAPACITOR	10uF 6.3V K	1	
	C4057	CK73FB0J106K	C CAPACITOR	10uF 6.3V K	1	
	C4066	CK73HB1A104K	C CAPACITOR	0.1uF 10V K	1	
	C4067	CK73HB0J105K	C CAPACITOR	1uF 6.3V K	1	
	C4069	CK73HB1A104K	C CAPACITOR	0.1uF 10V K	1	
	C4074	CK73HB1A104K	C CAPACITOR	0.1uF 10V K	1	
	C4075	CK73HB0J105K	C CAPACITOR	1uF 6.3V K	1	
	C4085	CK73HB1A104K	C CAPACITOR	0.1uF 10V K	1	
	C4094	CK73HB1E103K	C CAPACITOR	0.01uF 16V K	1	
	C4095	CK73HB1A104K	C CAPACITOR	0.1uF 10V K	1	
	C4097	CK73HB1A104K	C CAPACITOR	0.1uF 10V K	1	
	C4103	CK73HB1A104K	C CAPACITOR	0.1uF 10V K	1	
	C4106	CK73HB1A104K	C CAPACITOR	0.1uF 10V K	1	
	C4107	CK73HB1A104K	C CAPACITOR	0.1uF 10V K	1	
	C4120	CK73HB1A104K	C CAPACITOR	0.1uF 10V K	1	
	C4121	CK73HB1A104K	C CAPACITOR	0.1uF 10V K	1	
	C4122	CK73HB1A104K	C CAPACITOR	0.1uF 10V K	1	
	C4129	CC73GCH1H151J	C CAPACITOR	150pF 50V J	1	
	C4135	CK73HB1A104K	C CAPACITOR	0.1uF 10V K	1	
	C4145	CK73HB1A104K	C CAPACITOR	0.1uF 10V K	1	
	C4154	CK73HB1H102K	C CAPACITOR	1000pF 50V K	1	
	C4155	CK73HB1H102K	C CAPACITOR	1000pF 50V K	1	
	C4156	CK73HB0J105K	C CAPACITOR	1uF 6.3V K	1	
	C4157	CK73HB1A104K	C CAPACITOR	0.1uF 10V K	1	
	C4158	CK73HB0J105K	C CAPACITOR	1uF 6.3V K	1	
	C4159	CC73HCH1H101J	C CAPACITOR	100pF 50V J	1	
	C4160	CC73HCH1H330J	C CAPACITOR	33pF 50V J	1	
	C4161	CC73HCH1H560J	C CAPACITOR	56pF 50V J	1	
	C4163	CK73HB1A104K	C CAPACITOR	0.1uF 10V K	1	
	C4164	CK73HB1A104K	C CAPACITOR	0.1uF 10V K	1	
	C4165	CK73HB1A104K	C CAPACITOR	0.1uF 10V K	1	
	C4166	CK73HB1A104K	C CAPACITOR	0.1uF 10V K	1	
	C4168	CK73FB0J226M	C CAPACITOR	22uF 6.3V M	1	

MODEL	MARK	MODEL	MARK	MODEL	MARK	MODEL	MARK
DDX3021E	E2	DDX3049R	R2	DDX3051Q	Q2	DDX319K	K1
DDX4021BTE	E1	DDX4031BTM	M1	DDX4031BTMM	M2	DDX4031BTX	X1
DDX4031M	M3	DDX4031MM	M4	DDX4031X	X2	DDX4049BTR	R1
DDX4051BTQ	Q1	DDX419K	K0				

Safe	Symbol No.	Parts No.	Parts Name	Description	QTY	Local
	C4169	CK73HB1A104K	C CAPACITOR	0.1uF 10V K	1	
	C4171	CK73HB1A104K	C CAPACITOR	0.1uF 10V K	1	
	C4172	CK73HB1A104K	C CAPACITOR	0.1uF 10V K	1	
	C4173	CK73HB1A104K	C CAPACITOR	0.1uF 10V K	1	
	C4176	CK73HB1A104K	C CAPACITOR	0.1uF 10V K	1	
	C4177	CK73HB1A104K	C CAPACITOR	0.1uF 10V K	1	
	C4178	CK73HB1A104K	C CAPACITOR	0.1uF 10V K	1	
	C4182	CK73HB1A104K	C CAPACITOR	0.1uF 10V K	1	
	C4183	CK73HB0J105K	C CAPACITOR	1uF 6.3V K	1	
	C4190	CK73HB1A104K	C CAPACITOR	0.1uF 10V K	1	
	C4196	CK73HB1A104K	C CAPACITOR	0.1uF 10V K	1	
	C4201	CK73HB1A104K	C CAPACITOR	0.1uF 10V K	1	
	C4210	CK73HB1A104K	C CAPACITOR	0.1uF 10V K	1	
	C4217	CK73FB0J475K	C CAPACITOR	4.7uF 6.3V K	1	
	C4218	CK73HB1A104K	C CAPACITOR	0.1uF 10V K	1	
	C4301	CK73HB1A104K	C CAPACITOR	0.1uF 10V K	1	
	C4303	CK73HB1A104K	C CAPACITOR	0.1uF 10V K	1	
	C4309	CK73HB1A104K	C CAPACITOR	0.1uF 10V K	1	
	C4314	CK73HB1A104K	C CAPACITOR	0.1uF 10V K	1	
	C4327	CK73FB0J106K	C CAPACITOR	10uF 6.3V K	1	
	C4343	CK73HB1A104K	C CAPACITOR	0.1uF 10V K	1	
	C4349	CK73HB1A104K	C CAPACITOR	0.1uF 10V K	1	
	C4354	CK73FB0J106K	C CAPACITOR	10uF 6.3V K	1	
	C4408	CK73HB1A104K	C CAPACITOR	0.1uF 10V K	1	
	C4409	CK73FB0J106K	C CAPACITOR	10uF 6.3V K	1	
	C4508	CK73HB1A104K	C CAPACITOR	0.1uF 10V K	1	
	C4601	CK73HB1A104K	C CAPACITOR	0.1uF 10V K	1	
	C4602	CC73HCH1H680J	C CAPACITOR	68pF 50V J	1	
	C4604	CC73HCH1H180J	C CAPACITOR	18pF 50V J	1	
	C4605	CK73FB0J106K	C CAPACITOR	10uF 6.3V K	1	
	C4614	CC73HCH1H560J	C CAPACITOR	56pF 50V J	1	
	C4615	CK73HB0J105K	C CAPACITOR	1uF 6.3V K	1	
	C4616	CK73HB0J105K	C CAPACITOR	1uF 6.3V K	1	
	C4624	CC73HCH1H560J	C CAPACITOR	56pF 50V J	1	
	C4625	CK73HB0J105K	C CAPACITOR	1uF 6.3V K	1	
	C4626	CK73HB0J105K	C CAPACITOR	1uF 6.3V K	1	
	C4634	CC73HCH1H560J	C CAPACITOR	56pF 50V J	1	
	C4635	CK73HB0J105K	C CAPACITOR	1uF 6.3V K	1	
	C4636	CK73HB0J105K	C CAPACITOR	1uF 6.3V K	1	
	C5001	CK73GB1H104K	C CAPACITOR	0.1uF 50V K	1	
	C5002	C93-1512-08	C CAPACITOR	0.1uF 16V K	1	
	C5003	CK73FB0J106K	C CAPACITOR	10uF 6.3V K	1	
	C5004	CK73FB1C106K	C CAPACITOR	10uF 16V K	1	
	C5005	CK73HB0J105K	C CAPACITOR	1uF 6.3V K	1	
	C5010	CK73GB1A105K	C CAPACITOR	1uF 16V K	1	
	C5011	CK73GB1H104K	C CAPACITOR	0.1uF 50V K	1	
	C5103	C93-1512-08	C CAPACITOR	0.1uF 16V K	1	
	C5201	CK73GB1H104K	C CAPACITOR	0.1uF 50V K	1	
	C5202	CK73FB1E105K	C CAPACITOR	1uF 25V K	1	
	C5203	CK73GB1H104K	C CAPACITOR	0.1uF 50V K	1	
	C5301	C93-1512-08	C CAPACITOR	0.1uF 16V K	1	
	C5302	CK73HB1A104K	C CAPACITOR	0.1uF 10V K	1	
	R4001	RK73HB1J681J	MG RESISTOR	680Ω 1/16W J	1	
	R4002	RK73HB1J105J	MG RESISTOR	1MΩ 1/16W J	1	
	R4030	RK73HB1J680J	MG RESISTOR	68Ω 1/16W J	1	
	R4053	RK73HB1J680J	MG RESISTOR	68Ω 1/16W J	1	
	R4054	RK73HB1J680J	MG RESISTOR	68Ω 1/16W J	1	
	R4058	RK73HB1J103J	MG RESISTOR	10kΩ 1/16W J	1	
	R4060	RK73HB1J101J	MG RESISTOR	100Ω 1/16W J	1	
	R4062	RK73HB1J102J	MG RESISTOR	1kΩ 1/16W J	1	
	R4063	RK73HB1J102J	MG RESISTOR	1kΩ 1/16W J	1	
	R4064	RK73HB1J101J	MG RESISTOR	100Ω 1/16W J	1	
	R4065	RK73HB1J102J	MG RESISTOR	1kΩ 1/16W J	1	
	R4066	RK73HB1J101J	MG RESISTOR	100Ω 1/16W J	1	
	R4067	RK73HB1J101J	MG RESISTOR	100Ω 1/16W J	1	
	R4069	RK73HB1J101J	MG RESISTOR	100Ω 1/16W J	1	
	R4070	RK73HB1J101J	MG RESISTOR	100Ω 1/16W J	1	
	R4077	RK73HB1J101J	MG RESISTOR	100Ω 1/16W J	1	
	R4078	RK73HB1J680J	MG RESISTOR	68Ω 1/16W J	1	
	R4079	RK73HB1J680J	MG RESISTOR	68Ω 1/16W J	1	
	R4083	RK73HB1J680J	MG RESISTOR	68Ω 1/16W J	1	
	R4087	RK73HB1J680J	MG RESISTOR	68Ω 1/16W J	1	
	R4091	RK73HB1J680J	MG RESISTOR	68Ω 1/16W J	1	
	R4127	RK73HB1J101J	MG RESISTOR	100Ω 1/16W J	1	
	R4128	RK73HB1J101J	MG RESISTOR	100Ω 1/16W J	1	
	R4129	RK73HB1J470J	MG RESISTOR	47Ω 1/16W J	1	
	R4130	RK73HB1J102J	MG RESISTOR	1kΩ 1/16W J	1	
	R4131	RK73HB1J101J	MG RESISTOR	100Ω 1/16W J	1	
	R4132	RK73HB1J220J	MG RESISTOR	22Ω 1/16W J	1	
	R4133	RK73HB1J470J	MG RESISTOR	47Ω 1/16W J	1	
	R4136	RK73HB1J470J	MG RESISTOR	47Ω 1/16W J	1	
	R4137	RK73HB1J101J	MG RESISTOR	100Ω 1/16W J	1	
	R4138	RK73HB1J330J	MG RESISTOR	33Ω 1/16W J	1	
	R4146	RK73HB1J750J	MG RESISTOR	75Ω 1/16W J	1	
	R4161	RK73HB1J101J	MG RESISTOR	100Ω 1/16W J	1	
	R4164	RK73HH1J103D	MG RESISTOR	10kΩ 1/16W D	1	
	R4166	RK73HB1J2R2J	MG RESISTOR	2.2Ω 1/16W J	1	
	R4167	RK73HB1J000J	MG RESISTOR	0Ω 1/16W J	1	



MODEL	MARK	MODEL	MARK	MODEL	MARK	MODEL	MARK
DDX3021E	E2	DDX3049R	R2	DDX3051Q	Q2	DDX319K	K1
DDX4021BTE	E1	DDX4031BTM	M1	DDX4031BTMM	M2	DDX4031BTX	X1
DDX4031M	M3	DDX4031MM	M4	DDX4031X	X2	DDX4049BTR	R1
DDX4051BTQ	Q1	DDX419K	K0				

Safe	Symbol No.	Parts No.	Parts Name	Description	QTY	Local
	R4402	RK73HB1J680J	MG RESISTOR	68Ω 1/16W J	1	
	R4501	RK73HB1J000J	MG RESISTOR	0Ω 1/16W J	1	
	R4502	RK73HB1J680J	MG RESISTOR	68Ω 1/16W J	1	
	R4503	RK73HB1J000J	MG RESISTOR	0Ω 1/16W J	1	
	R4516	RK73HB1J000J	MG RESISTOR	0Ω 1/16W J	1	
	R4517	RK73HB1J000J	MG RESISTOR	0Ω 1/16W J	1	
	R4601	RK73HB1J391J	MG RESISTOR	390Ω 1/16W J	1	
	R4606	RK73HB1J152J	MG RESISTOR	1.5kΩ 1/16W J	1	
	R4608	RK73HB1J471J	MG RESISTOR	470Ω 1/16W J	1	
	R4611	RK73HB1J470J	MG RESISTOR	47Ω 1/16W J	1	
	R4613	RK73HB1J103J	MG RESISTOR	10kΩ 1/16W J	1	
	R4614	RK73HB1J103J	MG RESISTOR	10kΩ 1/16W J	1	
	R4615	RK73HB1J151J	MG RESISTOR	150Ω 1/16W J	1	
	R4618	RK73HB1J471J	MG RESISTOR	470Ω 1/16W J	1	
	R4621	RK73HB1J470J	MG RESISTOR	47Ω 1/16W J	1	
	R4623	RK73HB1J103J	MG RESISTOR	10kΩ 1/16W J	1	
	R4624	RK73HB1J103J	MG RESISTOR	10kΩ 1/16W J	1	
	R4625	RK73HB1J151J	MG RESISTOR	150Ω 1/16W J	1	
	R4628	RK73HB1J471J	MG RESISTOR	470Ω 1/16W J	1	
	R4631	RK73HB1J470J	MG RESISTOR	47Ω 1/16W J	1	
	R4633	RK73HB1J103J	MG RESISTOR	10kΩ 1/16W J	1	
	R4634	RK73HB1J103J	MG RESISTOR	10kΩ 1/16W J	1	
	R4635	RK73HB1J151J	MG RESISTOR	150Ω 1/16W J	1	
	R4638	RK73HB1J471J	MG RESISTOR	470Ω 1/16W J	1	
	R4640	RK73HB1J000J	MG RESISTOR	0Ω 1/16W J	1	
	R5001	RK73HH1J101D	MG RESISTOR	100Ω 1/16W D	1	
	R5002	RK73HH1J161D	MG RESISTOR	160Ω 1/16W D	1	
	R5003	RK73HH1J430D	MG RESISTOR	430Ω 1/16W D	1	
	R5004	R92-5558-08	MG RESISTOR	36Ω 1/16W D	1	
	R5005	RK73HH1J101D	MG RESISTOR	100Ω 1/16W D	1	
	R5006	RK73HH1J161D	MG RESISTOR	160Ω 1/16W D	1	
	R5007	RK73HH1J101D	MG RESISTOR	100Ω 1/16W D	1	
	R5008	R92-5558-08	MG RESISTOR	36Ω 1/16W D	1	
	R5009	RK73HH1J430D	MG RESISTOR	430Ω 1/16W D	1	
	R5010	RK73HH1J161D	MG RESISTOR	160Ω 1/16W D	1	
	R5011	RK73HH1J620D	MG RESISTOR	62Ω 1/16W D	1	
	R5020	RK73HB1J101J	MG RESISTOR	100Ω 1/16W J	1	
	R5106	RK73HH1J822D	MG RESISTOR	8.2kΩ 1/16W D	1	
	R5107	RK73HH1J472D	MG RESISTOR	4.7kΩ 1/16W D	1	
	R5109	RK73HB1J105J	MG RESISTOR	1MΩ 1/16W J	1	
	R5201	RK73HB1J473J	MG RESISTOR	47kΩ 1/16W J	1	
	R5203	RK73HB1J183J	MG RESISTOR	18kΩ 1/16W J	1	
	R5204	RK73HB1J183J	MG RESISTOR	18kΩ 1/16W J	1	
	R5205	RK73HB1J471J	MG RESISTOR	470Ω 1/16W J	1	
	R5302	RK73HB1J103J	MG RESISTOR	10kΩ 1/16W J	1	
	R5303	RK73HH1J103D	MG RESISTOR	10kΩ 1/16W D	1	
	R5304	RK73HH1J562D	MG RESISTOR	5.6kΩ 1/16W D	1	
	RA401	RK74HB1J680J	NET RESISTOR	68Ω J	1	
	RA402	RK74HB1J680J	NET RESISTOR	68Ω J	1	
	RA403	RK74HB1J680J	NET RESISTOR	68Ω J	1	
	RA404	RK74HB1J680J	NET RESISTOR	68Ω J	1	
	RA405	RK74HB1J680J	NET RESISTOR	68Ω J	1	
	RA406	RK74HB1J680J	NET RESISTOR	68Ω J	1	
	RA407	RK74HB1J680J	NET RESISTOR	68Ω J	1	
	RA408	RK74HB1J680J	NET RESISTOR	68Ω J	1	
	RA409	RK74HB1J680J	NET RESISTOR	68Ω J	1	
	RA415	RK74HB1J101J	NET RESISTOR	100Ω J	1	
	RA416	RK74HB1J101J	NET RESISTOR	100Ω J	1	
	RA417	RK74HB1J101J	NET RESISTOR	100Ω J	1	
	RA418	RK74HB1J101J	NET RESISTOR	100Ω J	1	
	RA419	RK74HB1J101J	NET RESISTOR	100Ω J	1	
	RA420	RK74HB1J330J	NET RESISTOR	33Ω J	1	
	L4001	L33-2543-08	COIL	47uH M	1	
	L4601	L33-2654-08	COIL	47uH J	1	
	CN401	E41-3367-08	CONNECTOR	FFC/FPC (1-30)	1	
	CN501	E41-3310-08	CONNECTOR	FFC/FPC (1-60)	1	
	X4001	L77-3860-08	CRYSTAL		1	
PANEL-B UNIT (LVA11042-11A) <PB>						
	IC611	BU33TD3WG	IC		1	
	IC651	PIC95603	IR DETECT UNIT		1	
	Q6001	DSC5001/R/	TRANSISTOR		1	
	Q6002	DSC5001/R/	TRANSISTOR		1	
	Q6003	DSC5001/R/	TRANSISTOR		1	
	Q6004	DSC5001/R/	TRANSISTOR		1	
	Q6005	DSC7004/RS/-X	TRANSISTOR		1	
	Q6006	DSC5001/R/	TRANSISTOR		1	
	Q6007	DSC5001/R/	TRANSISTOR		1	
	Q6008	DSC5001/R/	TRANSISTOR		1	
	Q6009	DSC5001/R/	TRANSISTOR		1	
	Q6010	DRA9114E	DIGI TRANSISTOR		1	
	Q6011	DRC9114E	DIGI TRANSISTOR		1	
	Q6101	DRA9143Z	DIGI TRANSISTOR		1	
	Q6102	DRC9143Z	DIGI TRANSISTOR		1	
	Q6103	DRC9143Z	DIGI TRANSISTOR		1	
	Q6104	DRA9143Z	DIGI TRANSISTOR		1	
	Q6105	DRC9143Z	DIGI TRANSISTOR		1	
	Q6201	DSC5001/R/	TRANSISTOR		1	
	Q6202	DSC5001/R/	TRANSISTOR		1	

MODEL	MARK	MODEL	MARK	MODEL	MARK	MODEL	MARK
DDX3021E	E2	DDX3049R	R2	DDX3051Q	Q2	DDX319K	K1
DDX4021BTE	E1	DDX4031BTM	M1	DDX4031BTMM	M2	DDX4031BTX	X1
DDX4031M	M3	DDX4031MM	M4	DDX4031X	X2	DDX4049BTR	R1
DDX4051BTQ	Q1	DDX419K	K0				

Safe	Symbol No.	Parts No.	Parts Name	Description	QTY	Local
	Q6203	DSC5001/R/	TRANSISTOR		1	
	D6041	RKZ18B2KG-X	Z DIODE		1	
	D6042	RKS801KF	SI DIODE		1	
	D6101	RKZ6.2KG(B2)	Z DIODE		1	
	D6102	RKZ6.2KG(B2)	Z DIODE		1	
	D6103	RKZ6.2KG(B2)	Z DIODE		1	
	D6104	RKZ6.2KG(B2)	Z DIODE		1	
	D6501	B30-3227-08	LED		1	
	D6502	B30-3227-08	LED		1	
	D6504	B30-3227-08	LED		1	
	D6506	SML-D12V8W/PQ	LED		1	
	D6507	SML-D12V8W/PQ	LED		1	
	C6001	CK73GB1H104K	C CAPACITOR	0.1uF 50V K	1	
	C6002	CK73GB1H104K	C CAPACITOR	0.1uF 50V K	1	
	C6003	CK73FB1E105K	C CAPACITOR	1uF 25V K	1	
	C6004	CK73GB1H104K	C CAPACITOR	0.1uF 50V K	1	
	C6015	CK73FB0J106K	C CAPACITOR	10uF 6.3V K	1	
	C6101	CC73GCH1H101J	C CAPACITOR	100pF 50V J	1	
	C6102	CC73GCH1H101J	C CAPACITOR	100pF 50V J	1	
	C6103	CC73GCH1H101J	C CAPACITOR	100pF 50V J	1	
	C6104	CC73GCH1H101J	C CAPACITOR	100pF 50V J	1	
	C6107	CK73HB1A104K	C CAPACITOR	0.1uF 10V K	1	
	C6108	CK73FB0J475K	C CAPACITOR	4.7uF 6.3V K	1	
	C6502	CK73FB0J106K	C CAPACITOR	10uF 6.3V K	1	
	C6503	CK73EB1E106K	C CAPACITOR	10uF 25V	1	
	C6504	CK73HB1H102K	C CAPACITOR	1000pF 50V K	1	
	C6507	CC73GCH1H101J	C CAPACITOR	100pF 50V J	1	
	C6508	CC73GCH1H101J	C CAPACITOR	100pF 50V J	1	
	R6001	RK73HB1J181J	MG RESISTOR	180Ω 1/16W J	1	
	R6002	RK73HB1J221J	MG RESISTOR	220Ω 1/16W J	1	
	R6003	RK73HB1J181J	MG RESISTOR	180Ω 1/16W J	1	
	R6004	RK73HB1J221J	MG RESISTOR	220Ω 1/16W J	1	
	R6005	RK73HB1J181J	MG RESISTOR	180Ω 1/16W J	1	
	R6006	RK73HB1J221J	MG RESISTOR	220Ω 1/16W J	1	
	R6007	RK73HB1J181J	MG RESISTOR	180Ω 1/16W J	1	
	R6008	RK73HB1J221J	MG RESISTOR	220Ω 1/16W J	1	
	R6009	RK73HB1J000J	MG RESISTOR	0Ω 1/16W J	1	
	R6012	RK73HB1J122J	MG RESISTOR	1.2kΩ 1/16W J	1	
	R6013	RK73HB1J121J	MG RESISTOR	120Ω 1/16W J	1	
	R6201	RK73HB1J473J	MG RESISTOR	47kΩ 1/16W J	1	
	R6202	RK73HB1J473J	MG RESISTOR	47kΩ 1/16W J	1	
	R6203	RK73HB1J473J	MG RESISTOR	47kΩ 1/16W J	1	
	R6204	RK73HH1J301D	MG RESISTOR	300Ω 1/16W D	1	
	R6207	RK73HH1J271D	MG RESISTOR	270Ω 1/16W D	1	
	R6208	RK73HH1J301D	MG RESISTOR	300Ω 1/16W D	1	
	R6209	RK73HH1J331D	MG RESISTOR	330Ω 1/16W D	1	
	R6210	RK73HH1J391D	MG RESISTOR	390Ω 1/16W D	1	
	R6212	RK73GB2A470J	MG RESISTOR	47Ω 1/16W J	1	
	R6501	RK73GB2A332J	MG RESISTOR	3.3kΩ 1/16W J	1	
	R6502	RK73GB2A302J	MG RESISTOR	3kΩ 1/16W J	1	
	R6504	RK73GB2A332J	MG RESISTOR	3.3kΩ 1/16W J	1	
	R6505	RK73GB2A302J	MG RESISTOR	3kΩ 1/16W J	1	
	R6507	RK73HB1J100J	MG RESISTOR	10Ω 1/16W J	1	
	R6508	RK73HB1J181J	MG RESISTOR	180Ω 1/16W J	1	
	R6509	RK73HB1J182J	MG RESISTOR	1.8kΩ 1/16W J	1	
	R6510	RK73HB1J222J	MG RESISTOR	2.2kΩ 1/16W J	1	
	R6511	RK73HB1J750J	MG RESISTOR	75Ω 1/16W J	1	
	R6514	RK73GB2A473J	MG RESISTOR	47kΩ 1/16W J	1	
	R6516	RK73GB2A473J	MG RESISTOR	47kΩ 1/16W J	1	
	RA601	R92-5559-08	NET RESISTOR	820Ω J	1	
	RA602	RK74HB1J102J	NET RESISTOR	1kΩ J	1	
	RA603	RK74HB1J470J	NET RESISTOR	47Ω J	1	
	L6001	L33-2543-08	COIL	47uH M	1	
	CN601	QGZ1102K2-20X	CONNECTOR	(1-20)	1	
	CN602	QGZ1102K2-20X	CONNECTOR	(1-20)	1	
	CN603	E41-3367-08	CONNECTOR	FFC/FPC (1-30)	1	
	CN604	E41-3368-08	CONNECTOR	FFC/FPC (1-17)	1	
	CN605	E41-3369-08	CONNECTOR	FFC/FPC (1-10)	1	
	CN606	E41-3300-08	CONNECTOR	FFC/FPC (1-4)	1	
	CN651	E41-3368-08	CONNECTOR	FFC/FPC (1-17)	1	
	CN654	E41-3301-08	CONNECTOR	W-B (1-7)	1	
	EP651	E23-0795-08	EARTH TERMINAL		1	
	J6501	QNZ0963-002	USB CONNECTOR		1	
	J6502	E11-0675-08	3.5 JACK		1	
	JS651	T99-0484-05	ROTARY ENCODER		1	
	S6501	S70-0960-05	TACT SWITCH		1	
	S6502	S70-0960-05	TACT SWITCH		1	
	S6503	S70-0960-05	TACT SWITCH		1	
	S6504	S70-0960-05	TACT SWITCH		1	
	S6505	S70-0960-05	TACT SWITCH		1	
	S6506	S70-0960-05	TACT SWITCH		1	
	VA614	VR1005CCA270	VARIATOR(ZNR)	27V	1	
	VA616	VR1005CCA270	VARIATOR(ZNR)	27V	1	
	VA628	VR1005CCA270	VARIATOR(ZNR)	27V	1	
	VA630	VR1005CCA270	VARIATOR(ZNR)	27V	1	
	VA632	VR1005CCA270	VARIATOR(ZNR)	27V	1	
	VA633	VR1005CCA270	VARIATOR(ZNR)	27V	1	

MODEL	MARK	MODEL	MARK	MODEL	MARK	MODEL	MARK
DDX3021E	E2	DDX3049R	R2	DDX3051Q	Q2	DDX319K	K1
DDX4021BTE	E1	DDX4031BTM	M1	DDX4031BTMM	M2	DDX4031BTX	X1
DDX4031M	M3	DDX4031MM	M4	DDX4031X	X2	DDX4049BTR	R1
DDX4051BTQ	Q1	DDX419K	K0				

Safe	Symbol No.	Parts No.	Parts Name	Description	QTY	Local
	VA636	VR1005CCA270	VARISTOR(ZNR)	27V	1	
	VA638	VR1005CCA270	VARISTOR(ZNR)	27V	1	
	VA640	VR1005CCA270	VARISTOR(ZNR)	27V	1	
	VA651	VR1005CCA270	VARISTOR(ZNR)	27V	1	
	VA653	VR1005CCA270	VARISTOR(ZNR)	27V	1	
<b>SUB UNIT (LVA11128-xxA) &lt;SU&gt;</b>						
	IC201	NJM2561F1-X	IC		1	
	IC211	NJM2535V-ZB	IC		1	
	IC231	NJM2535V-ZB	IC		1	
	IC241	NJM2505AF-ZB	IC		1	
	D296	MC2850-T111	SI DIODE		1	E2,R2,Q2,E1,M1,M2,X1, M3,M4,X2,R1,Q1
	C200	C90-6894-08	E CAPACITOR	10uF 25V M	1	
	C201	CK73HB1A104K	C CAPACITOR	0.1uF 10V K	1	
	C202	C92-2056-08	E CAPACITOR	470uF 10V M	1	
	C203	CK73HB1A104K	C CAPACITOR	0.1uF 10V K	1	
	C211	CK73GB1A105K	C CAPACITOR	1uF 16V K	1	
	C212	CK73GB1A105K	C CAPACITOR	1uF 16V K	1	
	C213	CK73GB1A105K	C CAPACITOR	1uF 16V K	1	
	C214	CK73HB1A104K	C CAPACITOR	0.1uF 10V K	1	
	C231	CK73GB1A105K	C CAPACITOR	1uF 16V K	1	
	C232	CK73GB1A105K	C CAPACITOR	1uF 16V K	1	
	C233	CK73GB1A105K	C CAPACITOR	1uF 16V K	1	
	C234	CK73HB1A104K	C CAPACITOR	0.1uF 10V K	1	
	C241	CK73FB1C475K	C CAPACITOR	4.7uF 16V K	1	
	C242	CK73FB1C475K	C CAPACITOR	4.7uF 16V K	1	
	C243	CK73GB1A105K	C CAPACITOR	1uF 16V K	1	
	C244	CK73HB1A104K	C CAPACITOR	0.1uF 10V K	1	
	C261	C93-1512-08	C CAPACITOR	0.1uF 16V K	1	E2,R2,Q2,E1,M1,M2,X1, M3,M4,X2,R1,Q1
	C271	C93-1512-08	C CAPACITOR	0.1uF 16V K	1	E2,R2,Q2,E1,M1,M2,X1, M3,M4,X2,R1,Q1
	C281	C93-1512-08	C CAPACITOR	0.1uF 16V K	1	E2,R2,Q2,E1,M1,M2,X1, M3,M4,X2,R1,Q1
	C296	CK73GB1H473K	C CAPACITOR	0.047uF 50V K	1	E2,R2,Q2,E1,M1,M2,X1, M3,M4,X2,R1,Q1
	C2102	CK73GB1C105K	C CAPACITOR	1uF 16V K	1	E2,R2,Q2,E1,M1,M2,X1, M3,M4,X2,R1,Q1
	C2202	CK73GB1C105K	C CAPACITOR	1uF 16V K	1	E2,R2,Q2,E1,M1,M2,X1, M3,M4,X2,R1,Q1
	C2302	CK73GB1C105K	C CAPACITOR	1uF 16V K	1	E2,R2,Q2,E1,M1,M2,X1, M3,M4,X2,R1,Q1
	R201	RK73GB2A750J	MG RESISTOR	75Ω 1/16W J	1	
	R215	RK73HH1J151D	MG RESISTOR	150Ω 1/16W D	1	
	R218	RK73HB1J000J	MG RESISTOR	0Ω 1/16W J	1	
	R219	RK73FB2B000J	MG RESISTOR	0Ω 1/10W J	1	
	R231	RK73GB2A750J	MG RESISTOR	75Ω 1/16W J	1	
	R241	RK73HB1J471J	MG RESISTOR	470Ω 1/16W J	1	
	R242	RK73HB1J471J	MG RESISTOR	470Ω 1/16W J	1	
	R243	RK73GB2A750J	MG RESISTOR	75Ω 1/16W J	1	
	R245	RK73HB1J154J	MG RESISTOR	150kΩ 1/16W J	1	
	R246	RK73HB1J104J	MG RESISTOR	100kΩ 1/16W J	1	
	R248	RK73HB1J000J	MG RESISTOR	0Ω 1/16W J	1	
	R251	RK73FB2B101J	MG RESISTOR	100Ω 1/10W J	1	E2,R2,Q2,E1,M1,M2,X1, M3,M4,X2,R1,Q1
	R252	RK73FB2B101J	MG RESISTOR	100Ω 1/10W J	1	E2,R2,Q2,E1,M1,M2,X1, M3,M4,X2,R1,Q1
	R261	RK73HB1J101J	MG RESISTOR	100Ω 1/16W J	1	E2,R2,Q2,E1,M1,M2,X1, M3,M4,X2,R1,Q1
	R268	RK73GB2A750J	MG RESISTOR	75Ω 1/16W J	1	E2,R2,Q2,E1,M1,M2,X1, M3,M4,X2,R1,Q1
	R271	RK73HB1J101J	MG RESISTOR	100Ω 1/16W J	1	E2,R2,Q2,E1,M1,M2,X1, M3,M4,X2,R1,Q1
	R278	RK73GB2A750J	MG RESISTOR	75Ω 1/16W J	1	E2,R2,Q2,E1,M1,M2,X1, M3,M4,X2,R1,Q1
	R281	RK73HB1J101J	MG RESISTOR	100Ω 1/16W J	1	E2,R2,Q2,E1,M1,M2,X1, M3,M4,X2,R1,Q1
	R288	RK73GB2A750J	MG RESISTOR	75Ω 1/16W J	1	E2,R2,Q2,E1,M1,M2,X1, M3,M4,X2,R1,Q1
	R291	RK73HB1J100J	MG RESISTOR	10Ω 1/16W J	1	E2,R2,Q2,E1,M1,M2,X1, M3,M4,X2,R1,Q1
	R295	RK73FB2B101J	MG RESISTOR	100Ω 1/10W J	1	E2,R2,Q2,E1,M1,M2,X1, M3,M4,X2,R1,Q1

MODEL	MARK	MODEL	MARK	MODEL	MARK	MODEL	MARK
DDX3021E	E2	DDX3049R	R2	DDX3051Q	Q2	DDX319K	K1
DDX4021BTE	E1	DDX4031BTM	M1	DDX4031BTMM	M2	DDX4031BTX	X1
DDX4031M	M3	DDX4031MM	M4	DDX4031X	X2	DDX4049BTR	R1
DDX4051BTQ	Q1	DDX419K	K0				

Safe	Symbol No.	Parts No.	Parts Name	Description	QTY	Local
	R296	RK73GB2A471J	MG RESISTOR	470Ω 1/16W J	1	E2,R2,Q2,E1,M1,M2,X1, M3,M4,X2,R1,Q1
	R2101	RK73FB2B101J	MG RESISTOR	100Ω 1/10W J	1	E2,R2,Q2,E1,M1,M2,X1, M3,M4,X2,R1,Q1
	R2201	RK73FB2B101J	MG RESISTOR	100Ω 1/10W J	1	E2,R2,Q2,E1,M1,M2,X1, M3,M4,X2,R1,Q1
	RA241	RK74HB1J392J	NET RESISTOR	3.9kΩ J	1	
	CN201	E41-3353-05	CONNECTOR	FFC/FPC (1-14)	1	
	CN202	E41-3366-08	CONNECTOR	FFC/FPC (1-12)	1	
	CN222	E41-3069-08	CONNECTOR	W-B (1-2)	1	
	CN231	E41-1699-05	CONNECTOR	W-B (1-2)	1	E1,M1,M2,X1,R1,Q1,K0
	CN261	E41-1697-05	CONNECTOR	W-B (1-7)	1	E2,R2,Q2,E1,M1,M2,X1, M3,M4,X2,R1,Q1
	CN262	E41-1686-05	CONNECTOR	W-B (1-6)	1	E2,R2,Q2,E1,M1,M2,X1, M3,M4,X2,R1,Q1
	J201	E63-0999-08	PIN JACK		1	
	J2000	E11-0679-08	3.5 JACK		1	E1,M1,M2,X1,R1,Q1,K0
	VA201	VR1005CCA270	VARISTOR(ZNR)	27V	1	
	VA210	VR1005CCA270	VARISTOR(ZNR)	27V	1	E2,R2,Q2,E1,M1,M2,X1, M3,M4,X2,R1,Q1
	VA220	VR1005CCA270	VARISTOR(ZNR)	27V	1	E2,R2,Q2,E1,M1,M2,X1, M3,M4,X2,R1,Q1
	VA233	VR1005CCA270	VARISTOR(ZNR)	27V	1	
	VA249	VR1005CCA270	VARISTOR(ZNR)	27V	1	
	VA251	VR1005CCA270	VARISTOR(ZNR)	27V	1	E2,R2,Q2,E1,M1,M2,X1, M3,M4,X2,R1,Q1
	VA252	VR1005CCA270	VARISTOR(ZNR)	27V	1	E2,R2,Q2,E1,M1,M2,X1, M3,M4,X2,R1,Q1
	VA261	VR1005CCA270	VARISTOR(ZNR)	27V	1	E2,R2,Q2,E1,M1,M2,X1, M3,M4,X2,R1,Q1
	VA271	VR1005CCA270	VARISTOR(ZNR)	27V	1	E2,R2,Q2,E1,M1,M2,X1, M3,M4,X2,R1,Q1
	VA281	VR1005CCA270	VARISTOR(ZNR)	27V	1	E2,R2,Q2,E1,M1,M2,X1, M3,M4,X2,R1,Q1
	VA291	VR1005CCA270	VARISTOR(ZNR)	27V	1	E2,R2,Q2,E1,M1,M2,X1, M3,M4,X2,R1,Q1
	VA295	VR1005CCA270	VARISTOR(ZNR)	27V	1	E2,R2,Q2,E1,M1,M2,X1, M3,M4,X2,R1,Q1

BT UNIT (FOR BT MODEL) (LVA10924-13A) <BT>

IC301	TCC8600	IC			1	E1,M1,M2,X1,R1,Q1,K0
IC302	JVM501D	PROGRAMED IC			1	E1,M1,M2,X1,R1,Q1,K0
IC303	A3V28S40FTP-G6	IC			1	E1,M1,M2,X1,R1,Q1,K0
IC304	BD6538G	IC			1	E1,M1,M2,X1,R1,Q1,K0
IC311	M24256-BRMN6-X	IC			1	E1,M1,M2,X1,R1,Q1,K0
IC331	AK4387ET-X	IC			1	E1,M1,M2,X1,R1,Q1,K0
IC332	NJM4565E-X	IC			1	E1,M1,M2,X1,R1,Q1,K0
IC341	NJM4565E-X	IC			1	E1,M1,M2,X1,R1,Q1,K0
IC371	XC6213B182NG-X	IC			1	E1,M1,M2,X1,R1,Q1,K0
Q3311	2SC1623A/5-6/-	TRANSISTOR			1	E1,M1,M2,X1,R1,Q1,K0
D3311	RKZ6.2KG(B2)	Z DIODE			1	E1,M1,M2,X1,R1,Q1,K0
D3312	HSU119TRF-E	SI DIODE			1	E1,M1,M2,X1,R1,Q1,K0
C311	CK73FB0J106K	C CAPACITOR	10uF 6.3V K		1	E1,M1,M2,X1,R1,Q1,K0
C331	CK73FB0J106K	C CAPACITOR	10uF 6.3V K		1	E1,M1,M2,X1,R1,Q1,K0
C333	CK73HB1A104K	C CAPACITOR	0.1uF 10V K		1	E1,M1,M2,X1,R1,Q1,K0
C335	CK73HB1A104K	C CAPACITOR	0.1uF 10V K		1	E1,M1,M2,X1,R1,Q1,K0
C337	CK73HB1A104K	C CAPACITOR	0.1uF 10V K		1	E1,M1,M2,X1,R1,Q1,K0
C339	CK73FB0J106K	C CAPACITOR	10uF 6.3V K		1	E1,M1,M2,X1,R1,Q1,K0
C341	CK73HB1A104K	C CAPACITOR	0.1uF 10V K		1	E1,M1,M2,X1,R1,Q1,K0
C343	CK73HB1A104K	C CAPACITOR	0.1uF 10V K		1	E1,M1,M2,X1,R1,Q1,K0
C371	CK73HB1A104K	C CAPACITOR	0.1uF 10V K		1	E1,M1,M2,X1,R1,Q1,K0
C372	CK73FB1A225K	C CAPACITOR	2.2uF 10V K		1	E1,M1,M2,X1,R1,Q1,K0
C3001	CK73FB0J106K	C CAPACITOR	10uF 6.3V K		1	E1,M1,M2,X1,R1,Q1,K0
C3003	CK73GB1A105K	C CAPACITOR	1uF 16V K		1	E1,M1,M2,X1,R1,Q1,K0
C3010	CK73HB1E103K	C CAPACITOR	0.01uF 16V K		1	E1,M1,M2,X1,R1,Q1,K0
C3100	CK73HB1E103K	C CAPACITOR	0.01uF 16V K		1	E1,M1,M2,X1,R1,Q1,K0
C3102	CK73HB1H821K	C CAPACITOR	820pF 50V K		1	E1,M1,M2,X1,R1,Q1,K0
C3103	CC73GCH1H151J	C CAPACITOR	150pF 50V J		1	E1,M1,M2,X1,R1,Q1,K0
C3104	CK73GB1A105K	C CAPACITOR	1uF 16V K		1	E1,M1,M2,X1,R1,Q1,K0
C3142	CK73GB1A105K	C CAPACITOR	1uF 16V K		1	E1,M1,M2,X1,R1,Q1,K0
C3143	CC73HCH1H471J	C CAPACITOR	470pF 50V J		1	E1,M1,M2,X1,R1,Q1,K0
C3145	C93-1600-08	C CAPACITOR	0.012uF 16V K		1	E1,M1,M2,X1,R1,Q1,K0
C3146	C93-1600-08	C CAPACITOR	0.012uF 16V K		1	E1,M1,M2,X1,R1,Q1,K0
C3147	CK73HB1A104K	C CAPACITOR	0.1uF 10V K		1	E1,M1,M2,X1,R1,Q1,K0
C3151	CK73GB1A105K	C CAPACITOR	1uF 16V K		1	E1,M1,M2,X1,R1,Q1,K0
C3152	CK73GB1A105K	C CAPACITOR	1uF 16V K		1	E1,M1,M2,X1,R1,Q1,K0
C3202	CK73HB1H821K	C CAPACITOR	820pF 50V K		1	E1,M1,M2,X1,R1,Q1,K0
C3203	CC73GCH1H151J	C CAPACITOR	150pF 50V J		1	E1,M1,M2,X1,R1,Q1,K0

MODEL	MARK	MODEL	MARK	MODEL	MARK	MODEL	MARK
DDX3021E	E2	DDX3049R	R2	DDX3051Q	Q2	DDX319K	K1
DDX4021BTE	E1	DDX4031BTM	M1	DDX4031BTMM	M2	DDX4031BTX	X1
DDX4031M	M3	DDX4031MM	M4	DDX4031X	X2	DDX4049BTR	R1
DDX4051BTQ	Q1	DDX419K	K0				

Safe	Symbol No.	Parts No.	Parts Name	Description	QTY	Local
	C3204	CK73GB1A105K	C CAPACITOR	1uF 16V K	1	E1,M1,M2,X1,R1,Q1,K0
	C3241	CK73HB1H102K	C CAPACITOR	1000pF 50V K	1	E1,M1,M2,X1,R1,Q1,K0
	C3242	CK73GB1A105K	C CAPACITOR	1uF 16V K	1	E1,M1,M2,X1,R1,Q1,K0
	C3243	CC73HCH1H471J	C CAPACITOR	470pF 50V J	1	E1,M1,M2,X1,R1,Q1,K0
	C3301	C90-5968-08	E CAPACITOR	100uF 16V M	1	E1,M1,M2,X1,R1,Q1,K0
	C3302	CK73HB1A104K	C CAPACITOR	0.1uF 10V K	1	E1,M1,M2,X1,R1,Q1,K0
	C3303	CE32BJ1C470M	E CAPACITOR	47uF 16V M	1	E1,M1,M2,X1,R1,Q1,K0
	C3304	C93-1600-08	C CAPACITOR	0.012uF 16V K	1	E1,M1,M2,X1,R1,Q1,K0
	C3311	C90-5968-08	E CAPACITOR	100uF 16V M	1	E1,M1,M2,X1,R1,Q1,K0
	C3322	C93-1512-08	C CAPACITOR	0.1uF 16V K	1	E1,M1,M2,X1,R1,Q1,K0
	C3323	CE32BJ1C470M	E CAPACITOR	47uF 16V M	1	E1,M1,M2,X1,R1,Q1,K0
	C3324	CK73HB1H821K	C CAPACITOR	820pF 50V K	1	E1,M1,M2,X1,R1,Q1,K0
	C3325	CC73GCH1H151J	C CAPACITOR	150pF 50V J	1	E1,M1,M2,X1,R1,Q1,K0
	C3326	CK73GB1A105K	C CAPACITOR	1uF 16V K	1	E1,M1,M2,X1,R1,Q1,K0
	C3407	CK73HB1A104K	C CAPACITOR	0.1uF 10V K	1	E1,M1,M2,X1,R1,Q1,K0
	C3409	CK73HB1A104K	C CAPACITOR	0.1uF 10V K	1	E1,M1,M2,X1,R1,Q1,K0
	C3410	CK73HB1A104K	C CAPACITOR	0.1uF 10V K	1	E1,M1,M2,X1,R1,Q1,K0
	C3419	CK73HB1A104K	C CAPACITOR	0.1uF 10V K	1	E1,M1,M2,X1,R1,Q1,K0
	C3424	CK73HB1A104K	C CAPACITOR	0.1uF 10V K	1	E1,M1,M2,X1,R1,Q1,K0
	C3426	CK73HB1A104K	C CAPACITOR	0.1uF 10V K	1	E1,M1,M2,X1,R1,Q1,K0
	C3440	CK73HB1A104K	C CAPACITOR	0.1uF 10V K	1	E1,M1,M2,X1,R1,Q1,K0
	C3443	CK73HB1A104K	C CAPACITOR	0.1uF 10V K	1	E1,M1,M2,X1,R1,Q1,K0
	C3454	CC73HCH1H270J	C CAPACITOR	27pF 50V J	1	E1,M1,M2,X1,R1,Q1,K0
	C3455	CC73HCH1H330J	C CAPACITOR	33pF 50V J	1	E1,M1,M2,X1,R1,Q1,K0
	C3458	CK73HB1A104K	C CAPACITOR	0.1uF 10V K	1	E1,M1,M2,X1,R1,Q1,K0
	C3465	CK73HB1A104K	C CAPACITOR	0.1uF 10V K	1	E1,M1,M2,X1,R1,Q1,K0
	C3468	CK73HB1E103K	C CAPACITOR	0.01uF 16V K	1	E1,M1,M2,X1,R1,Q1,K0
	C3469	CK73HB1A104K	C CAPACITOR	0.1uF 10V K	1	E1,M1,M2,X1,R1,Q1,K0
	C3472	CK73HB1H122K	C CAPACITOR	1200pF 50V K	1	E1,M1,M2,X1,R1,Q1,K0
	C3473	CK73HB0J105K	C CAPACITOR	1uF 6.3V K	1	E1,M1,M2,X1,R1,Q1,K0
	C3475	CC73HCH1H331J	C CAPACITOR	330pF 50V J	1	E1,M1,M2,X1,R1,Q1,K0
	C3477	C93-1601-08	C CAPACITOR	0.15uF 16V K	1	E1,M1,M2,X1,R1,Q1,K0
	C3484	CK73HB1A104K	C CAPACITOR	0.1uF 10V K	1	E1,M1,M2,X1,R1,Q1,K0
	C3491	CK73HB1A104K	C CAPACITOR	0.1uF 10V K	1	E1,M1,M2,X1,R1,Q1,K0
	C3492	CK73HB1C473K	C CAPACITOR	0.047uF 16V K	1	E1,M1,M2,X1,R1,Q1,K0
	C3524	CK73HB1A104K	C CAPACITOR	0.1uF 10V K	1	E1,M1,M2,X1,R1,Q1,K0
	C3575	CC73HCH1H220J	C CAPACITOR	22pF 50V J	1	E1,M1,M2,X1,R1,Q1,K0
	R322	RK73HB1J472J	MG RESISTOR	4.7kΩ 1/16W J	1	E1,M1,M2,X1,R1,Q1,K0
	R323	RK73HB1J473J	MG RESISTOR	47kΩ 1/16W J	1	E1,M1,M2,X1,R1,Q1,K0
	R324	RK73HB1J472J	MG RESISTOR	4.7kΩ 1/16W J	1	E1,M1,M2,X1,R1,Q1,K0
	R3003	RK73HB1J103J	MG RESISTOR	10kΩ 1/16W J	1	E1,M1,M2,X1,R1,Q1,K0
	R3004	RK73HB1J153J	MG RESISTOR	15kΩ 1/16W J	1	E1,M1,M2,X1,R1,Q1,K0
	R3005	RK73HB1J153J	MG RESISTOR	15kΩ 1/16W J	1	E1,M1,M2,X1,R1,Q1,K0
	R3006	RK73HB1J223J	MG RESISTOR	22kΩ 1/16W J	1	E1,M1,M2,X1,R1,Q1,K0
	R3010	RK73HB1J100J	MG RESISTOR	10Ω 1/16W J	1	E1,M1,M2,X1,R1,Q1,K0
	R3101	RK73HB1J223J	MG RESISTOR	22kΩ 1/16W J	1	E1,M1,M2,X1,R1,Q1,K0
	R3102	RK73HB1J243J	MG RESISTOR	24kΩ 1/16W J	1	E1,M1,M2,X1,R1,Q1,K0
	R3103	RK73HB1J153J	MG RESISTOR	15kΩ 1/16W J	1	E1,M1,M2,X1,R1,Q1,K0
	R3142	RK73HB1J122J	MG RESISTOR	1.2kΩ 1/16W J	1	E1,M1,M2,X1,R1,Q1,K0
	R3143	RK73HB1J124J	MG RESISTOR	120kΩ 1/16W J	1	E1,M1,M2,X1,R1,Q1,K0
	R3144	RK73HB1J822J	MG RESISTOR	8.2kΩ 1/16W J	1	E1,M1,M2,X1,R1,Q1,K0
	R3145	RK73HB1J333J	MG RESISTOR	33kΩ 1/16W J	1	E1,M1,M2,X1,R1,Q1,K0
	R3146	RK73HB1J103J	MG RESISTOR	10kΩ 1/16W J	1	E1,M1,M2,X1,R1,Q1,K0
	R3151	RK73HB1J103J	MG RESISTOR	10kΩ 1/16W J	1	E1,M1,M2,X1,R1,Q1,K0
	R3152	RK73HB1J103J	MG RESISTOR	10kΩ 1/16W J	1	E1,M1,M2,X1,R1,Q1,K0
	R3201	RK73HB1J223J	MG RESISTOR	22kΩ 1/16W J	1	E1,M1,M2,X1,R1,Q1,K0
	R3202	RK73HB1J243J	MG RESISTOR	24kΩ 1/16W J	1	E1,M1,M2,X1,R1,Q1,K0
	R3203	RK73HB1J153J	MG RESISTOR	15kΩ 1/16W J	1	E1,M1,M2,X1,R1,Q1,K0
	R3241	RK73HB1J822J	MG RESISTOR	8.2kΩ 1/16W J	1	E1,M1,M2,X1,R1,Q1,K0
	R3242	RK73HB1J122J	MG RESISTOR	1.2kΩ 1/16W J	1	E1,M1,M2,X1,R1,Q1,K0
	R3243	RK73HB1J124J	MG RESISTOR	120kΩ 1/16W J	1	E1,M1,M2,X1,R1,Q1,K0
	R3311	RK73HB1J122J	MG RESISTOR	1.2kΩ 1/16W J	1	E1,M1,M2,X1,R1,Q1,K0
	R3312	RK73HB1J680J	MG RESISTOR	68Ω 1/16W J	1	E1,M1,M2,X1,R1,Q1,K0
	R3313	RK73HB1J680J	MG RESISTOR	68Ω 1/16W J	1	E1,M1,M2,X1,R1,Q1,K0
	R3321	RK73HB1J103J	MG RESISTOR	10kΩ 1/16W J	1	E1,M1,M2,X1,R1,Q1,K0
	R3322	RK73HB1J103J	MG RESISTOR	10kΩ 1/16W J	1	E1,M1,M2,X1,R1,Q1,K0
	R3323	RK73HB1J223J	MG RESISTOR	22kΩ 1/16W J	1	E1,M1,M2,X1,R1,Q1,K0
	R3324	RK73HB1J243J	MG RESISTOR	24kΩ 1/16W J	1	E1,M1,M2,X1,R1,Q1,K0
	R3325	RK73HB1J153J	MG RESISTOR	15kΩ 1/16W J	1	E1,M1,M2,X1,R1,Q1,K0
	R3326	RK73HB1J473J	MG RESISTOR	47kΩ 1/16W J	1	E1,M1,M2,X1,R1,Q1,K0
	R3404	RK73HB1J102J	MG RESISTOR	1kΩ 1/16W J	1	E1,M1,M2,X1,R1,Q1,K0
	R3415	RK73HB1J103J	MG RESISTOR	10kΩ 1/16W J	1	E1,M1,M2,X1,R1,Q1,K0
	R3444	RK73HB1J470J	MG RESISTOR	47Ω 1/16W J	1	E1,M1,M2,X1,R1,Q1,K0
	R3446	RK73HB1J470J	MG RESISTOR	47Ω 1/16W J	1	E1,M1,M2,X1,R1,Q1,K0
	R3447	RK73HB1J470J	MG RESISTOR	47Ω 1/16W J	1	E1,M1,M2,X1,R1,Q1,K0
	R3454	RK73HB1J151J	MG RESISTOR	150Ω 1/16W J	1	E1,M1,M2,X1,R1,Q1,K0
	R3455	RK73HB1J105J	MG RESISTOR	1MΩ 1/16W J	1	E1,M1,M2,X1,R1,Q1,K0
	R3460	RK73HB1J472J	MG RESISTOR	4.7kΩ 1/16W J	1	E1,M1,M2,X1,R1,Q1,K0
	R3463	RK73HB1J101J	MG RESISTOR	100Ω 1/16W J	1	E1,M1,M2,X1,R1,Q1,K0
	R3468	RK73HB1J223J	MG RESISTOR	22kΩ 1/16W J	1	E1,M1,M2,X1,R1,Q1,K0
	R3469	RK73HB1J223J	MG RESISTOR	22kΩ 1/16W J	1	E1,M1,M2,X1,R1,Q1,K0
	R3478	RK73HB1J472J	MG RESISTOR	4.7kΩ 1/16W J	1	E1,M1,M2,X1,R1,Q1,K0
	R3479	RK73HB1J153J	MG RESISTOR	15kΩ 1/16W J	1	E1,M1,M2,X1,R1,Q1,K0
	R3480	RK73HB1J153J	MG RESISTOR	15kΩ 1/16W J	1	E1,M1,M2,X1,R1,Q1,K0
	R3482	RK73HB1J330J	MG RESISTOR	33Ω 1/16W J	1	E1,M1,M2,X1,R1,Q1,K0
	R3483	RK73HB1J330J	MG RESISTOR	33Ω 1/16W J	1	E1,M1,M2,X1,R1,Q1,K0
	R3491	RK73HB1J103J	MG RESISTOR	10kΩ 1/16W J	1	E1,M1,M2,X1,R1,Q1,K0

MODEL	MARK	MODEL	MARK	MODEL	MARK	MODEL	MARK
DDX3021E	E2	DDX3049R	R2	DDX3051Q	Q2	DDX319K	K1
DDX4021BTE	E1	DDX4031BTM	M1	DDX4031BTMM	M2	DDX4031BTX	X1
DDX4031M	M3	DDX4031MM	M4	DDX4031X	X2	DDX4049BTR	R1
DDX4051BTQ	Q1	DDX419K	K0				

Safe	Symbol No.	Parts No.	Parts Name	Description	QTY	Local
	R3493	RK73HB1J271J	MG RESISTOR	270Ω 1/16W J	1	E1,M1,M2,X1,R1,Q1,K0
	R3494	RK73HB1J271J	MG RESISTOR	270Ω 1/16W J	1	E1,M1,M2,X1,R1,Q1,K0
	R3577	RK73HB1J472J	MG RESISTOR	4.7kΩ 1/16W J	1	E1,M1,M2,X1,R1,Q1,K0
	R3586	RK73HB1J472J	MG RESISTOR	4.7kΩ 1/16W J	1	E1,M1,M2,X1,R1,Q1,K0
	R3587	RK73HB1J472J	MG RESISTOR	4.7kΩ 1/16W J	1	E1,M1,M2,X1,R1,Q1,K0
	R3589	RK73HB1J472J	MG RESISTOR	4.7kΩ 1/16W J	1	E1,M1,M2,X1,R1,Q1,K0
	R3593	RK73HB1J472J	MG RESISTOR	4.7kΩ 1/16W J	1	E1,M1,M2,X1,R1,Q1,K0
	R3594	RK73HB1J472J	MG RESISTOR	4.7kΩ 1/16W J	1	E1,M1,M2,X1,R1,Q1,K0
	RA301	RK74HB1J680J	NET RESISTOR	68Ω J	1	E1,M1,M2,X1,R1,Q1,K0
	RA302	RK74HB1J680J	NET RESISTOR	68Ω J	1	E1,M1,M2,X1,R1,Q1,K0
	RA303	RK74HB1J680J	NET RESISTOR	68Ω J	1	E1,M1,M2,X1,R1,Q1,K0
	RA304	RK74HB1J680J	NET RESISTOR	68Ω J	1	E1,M1,M2,X1,R1,Q1,K0
	RA305	RK74HB1J470J	NET RESISTOR	47Ω J	1	E1,M1,M2,X1,R1,Q1,K0
	RA306	RK74HB1J472J	NET RESISTOR	4.7kΩ J	1	E1,M1,M2,X1,R1,Q1,K0
	RA307	RK74HB1J101J	NET RESISTOR	100Ω J	1	E1,M1,M2,X1,R1,Q1,K0
	L3001	L92-1006-08	CHOKE COIL		1	E1,M1,M2,X1,R1,Q1,K0
	L3301	L33-2543-08	COIL	47uH M	1	E1,M1,M2,X1,R1,Q1,K0
	L3462	L33-2500-08	P COIL	1.8uH K	1	E1,M1,M2,X1,R1,Q1,K0
	L3473	L33-2656-08	COIL	33uH M	1	E1,M1,M2,X1,R1,Q1,K0
	CN302	E41-1702-05	CONNECTOR	W-B (1-5)	1	E1,M1,M2,X1,R1,Q1,K0
	CN311	E41-3366-08	CONNECTOR	FFC/FPC (1-12)	1	E1,M1,M2,X1,R1,Q1,K0
	CN341	E41-2721-05	CONNECTOR	W-B (1-2)	1	E1,M1,M2,X1,R1,Q1,K0
	X3402	L77-3888-08	CRYSTAL		1	E1,M1,M2,X1,R1,Q1,K0

DVA DVD UNIT (D40-2248-08/FMU-XS2-21D) IN DVD MECHA <DVA>

	IC101	RT3CLLM/EF-X	TRANSISTOR		1	
	IC102	RT3K11M-X	MOS FET ARRAY		1	
	IC201	BD8215EFV-X	IC		1	
	IC301	MN2DS0040MA	IC		1	
	IC381	JVM532H	PROGRAMED IC		1	
	IC391	A3V28S40FTP-G6	IC		1	
	IC401	AK4387ET-X	IC		1	
	IC501	BR24T32FVT-W-X	IC		1	
	IC511	MFI341S2162-X	IC		1	
	IC901	MM3233CF-X	IC		1	
	IC921	BD12KA5FP-X	IC		1	
	Q4	DSC2001/R/-X	TRANSISTOR		1	
	Q11	DSC2001/R/-X	TRANSISTOR		1	
	Q101	2SB1424/R/-W	TRANSISTOR		1	
	Q102	2SB1424/R/-W	TRANSISTOR		1	
	Q103	2SC4617	TRANSISTOR		1	
	D6	AN1102W-6-X	IR LED		1	
	D7	AN1102W-6-X	IR LED		1	
	D9	PS1192HB-22-X	PHOTO TRANSISTOR		1	
	D11	PS1192HB-22-X	PHOTO TRANSISTOR		1	
	C101	CK73FB0J226M	C CAPACITOR	22uF 6.3V M	1	
	C102	C91-2327-08	C CAPACITOR	47uF 6.3V M	1	
	C103	C91-2327-08	C CAPACITOR	47uF 6.3V M	1	
	C104	C93-1512-08	C CAPACITOR	0.1uF 16V K	1	
	C105	C93-1512-08	C CAPACITOR	0.1uF 16V K	1	
	C106	C93-1512-08	C CAPACITOR	0.1uF 16V K	1	
	C107	C93-1512-08	C CAPACITOR	0.1uF 16V K	1	
	C108	C93-1512-08	C CAPACITOR	0.1uF 16V K	1	
	C109	C93-1512-08	C CAPACITOR	0.1uF 16V K	1	
	C110	C93-1512-08	C CAPACITOR	0.1uF 16V K	1	
	C111	CK73GB1A105K	C CAPACITOR	1uF 16V K	1	
	C112	CK73GB1A105K	C CAPACITOR	1uF 16V K	1	
	C113	C93-1512-08	C CAPACITOR	0.1uF 16V K	1	
	C121	C93-1512-08	C CAPACITOR	0.1uF 16V K	1	
	C122	CK73HB1C333K	C CAPACITOR	0.033uF 16V K	1	
	C123	C93-1512-08	C CAPACITOR	0.1uF 16V K	1	
	C124	C93-1512-08	C CAPACITOR	0.1uF 16V K	1	
	C131	C93-1598-08	C CAPACITOR	2700pF 50V K	1	
	C133	C93-1518-08	C CAPACITOR	0.68uF 16V K	1	
	C134	C93-1518-08	C CAPACITOR	0.68uF 16V K	1	
	C135	C93-1512-08	C CAPACITOR	0.1uF 16V K	1	
	C136	C93-1512-08	C CAPACITOR	0.1uF 16V K	1	
	C137	C93-1512-08	C CAPACITOR	0.1uF 16V K	1	
	C138	C93-1512-08	C CAPACITOR	0.1uF 16V K	1	
	C141	C93-1512-08	C CAPACITOR	0.1uF 16V K	1	
	C151	C93-1512-08	C CAPACITOR	0.1uF 16V K	1	
	C201	C91-2330-08	C CAPACITOR	47uF 16V K	1	
	C203	C91-2330-08	C CAPACITOR	47uF 16V K	1	
	C207	C93-1512-08	C CAPACITOR	0.1uF 16V K	1	
	C208	CK73HB1H222K	C CAPACITOR	2200pF 50V K	1	
	C209	CK73HB1H102K	C CAPACITOR	1000pF 50V K	1	
	C210	CK73HB1H102K	C CAPACITOR	1000pF 50V K	1	
	C211	CK73HB1H102K	C CAPACITOR	1000pF 50V K	1	
	C212	C93-1512-08	C CAPACITOR	0.1uF 16V K	1	
	C213	C93-1512-08	C CAPACITOR	0.1uF 16V K	1	
	C214	C93-1512-08	C CAPACITOR	0.1uF 16V K	1	
	C215	C93-1512-08	C CAPACITOR	0.1uF 16V K	1	
	C218	CK73HB1H102K	C CAPACITOR	1000pF 50V K	1	
	C219	C93-1512-08	C CAPACITOR	0.1uF 16V K	1	
	C220	C93-1512-08	C CAPACITOR	0.1uF 16V K	1	
	C221	CK73GB1A105K	C CAPACITOR	1uF 16V K	1	
	C241	CK73HB1E223K	C CAPACITOR	0.022uF 25V K	1	
	C242	CK73HB1E223K	C CAPACITOR	0.022uF 25V K	1	
	C251	CK73HB1H221K	C CAPACITOR	220pF 50V K	1	

MODEL	MARK	MODEL	MARK	MODEL	MARK	MODEL	MARK
DDX3021E	E2	DDX3049R	R2	DDX3051Q	Q2	DDX319K	K1
DDX4021BTE	E1	DDX4031BTM	M1	DDX4031BTMM	M2	DDX4031BTX	X1
DDX4031M	M3	DDX4031MM	M4	DDX4031X	X2	DDX4049BTR	R1
DDX4051BTQ	Q1	DDX419K	K0				

Safe	Symbol No.	Parts No.	Parts Name	Description	QTY	Local
	C261	CC73HCH1H181J	C CAPACITOR	180pF 50V J	1	
	C301	C93-1512-08	C CAPACITOR	0.1uF 16V K	1	
	C302	C93-1512-08	C CAPACITOR	0.1uF 16V K	1	
	C303	C93-1512-08	C CAPACITOR	0.1uF 16V K	1	
	C304	C93-1512-08	C CAPACITOR	0.1uF 16V K	1	
	C305	C93-1512-08	C CAPACITOR	0.1uF 16V K	1	
	C306	C93-1512-08	C CAPACITOR	0.1uF 16V K	1	
	C307	C93-1512-08	C CAPACITOR	0.1uF 16V K	1	
	C308	C93-1512-08	C CAPACITOR	0.1uF 16V K	1	
	C309	C93-1512-08	C CAPACITOR	0.1uF 16V K	1	
	C310	CK73HB1H103K	C CAPACITOR	0.01uF 25V K	1	
	C311	C93-1512-08	C CAPACITOR	0.1uF 16V K	1	
	C314	CK73HB1H122K	C CAPACITOR	1200pF 50V K	1	
	C315	CK73HB1H122K	C CAPACITOR	1200pF 50V K	1	
	C316	CK73GB1A105K	C CAPACITOR	1uF 16V K	1	
	C317	CK73GB1A105K	C CAPACITOR	1uF 16V K	1	
	C318	CK73GB1A105K	C CAPACITOR	1uF 16V K	1	
	C319	C93-1512-08	C CAPACITOR	0.1uF 16V K	1	
	C320	C93-1512-08	C CAPACITOR	0.1uF 16V K	1	
	C322	C93-1512-08	C CAPACITOR	0.1uF 16V K	1	
	C324	C93-1512-08	C CAPACITOR	0.1uF 16V K	1	
	C325	C93-1512-08	C CAPACITOR	0.1uF 16V K	1	
	C326	CK73HB1H103K	C CAPACITOR	0.01uF 25V K	1	
	C327	C93-1512-08	C CAPACITOR	0.1uF 16V K	1	
	C329	C93-1512-08	C CAPACITOR	0.1uF 16V K	1	
	C330	C93-1512-08	C CAPACITOR	0.1uF 16V K	1	
	C331	C93-1512-08	C CAPACITOR	0.1uF 16V K	1	
	C332	C93-1512-08	C CAPACITOR	0.1uF 16V K	1	
	C333	C93-1512-08	C CAPACITOR	0.1uF 16V K	1	
	C351	CC73HCH1H120J	C CAPACITOR	12pF 50V J	1	
	C352	CC73HCH1H120J	C CAPACITOR	12pF 50V J	1	
	C381	C91-2325-08	C CAPACITOR	22uF 6.3V K	1	
	C382	C93-1512-08	C CAPACITOR	0.1uF 16V K	1	
	C391	CK73FB0J226M	C CAPACITOR	22uF 6.3V M	1	
	C392	C93-1512-08	C CAPACITOR	0.1uF 16V K	1	
	C394	C93-1512-08	C CAPACITOR	0.1uF 16V K	1	
	C395	C93-1512-08	C CAPACITOR	0.1uF 16V K	1	
	C396	C93-1512-08	C CAPACITOR	0.1uF 16V K	1	
	C397	C93-1512-08	C CAPACITOR	0.1uF 16V K	1	
	C398	C93-1512-08	C CAPACITOR	0.1uF 16V K	1	
	C399	C93-1512-08	C CAPACITOR	0.1uF 16V K	1	
	C401	C91-2328-08	C CAPACITOR	47uF 10V K	1	
	C402	C93-1512-08	C CAPACITOR	0.1uF 16V K	1	
	C403	C93-1512-08	C CAPACITOR	0.1uF 16V K	1	
	C404	C91-2325-08	C CAPACITOR	22uF 6.3V K	1	
	C405	C93-1512-08	C CAPACITOR	0.1uF 16V K	1	
	C406	CK73HB1H331K	C CAPACITOR	330pF 50V K	1	
	C411	CK73HB1C473K	C CAPACITOR	0.047uF 16V K	1	
	C412	CC73HCH1H101J	C CAPACITOR	100pF 50V J	1	
	C501	C93-1512-08	C CAPACITOR	0.1uF 16V K	1	
	C511	C93-1512-08	C CAPACITOR	0.1uF 16V K	1	
	C701	C93-1512-08	C CAPACITOR	0.1uF 16V K	1	
	C702	C93-1512-08	C CAPACITOR	0.1uF 16V K	1	
	C703	C93-1512-08	C CAPACITOR	0.1uF 16V K	1	
	C704	C93-1512-08	C CAPACITOR	0.1uF 16V K	1	
	C705	C93-1512-08	C CAPACITOR	0.1uF 16V K	1	
	C901	CK73GB1A105K	C CAPACITOR	1uF 16V K	1	
	C902	CK73GB1A105K	C CAPACITOR	1uF 16V K	1	
	C911	C91-2327-08	C CAPACITOR	47uF 6.3V M	1	
	C912	C93-1512-08	C CAPACITOR	0.1uF 16V K	1	
	C913	CK73FB0J226M	C CAPACITOR	22uF 6.3V M	1	
	C914	C93-1512-08	C CAPACITOR	0.1uF 16V K	1	
	C921	CK73GB1A105K	C CAPACITOR	1uF 16V K	1	
	C923	CK73GB1A105K	C CAPACITOR	1uF 16V K	1	
	R11	RK73GB2A391J	MG RESISTOR	390Ω 1/16W J	1	
	R12	RK73HB1J184J	MG RESISTOR	180kΩ 1/16W J	1	
	R13	RK73HB1J103J	MG RESISTOR	10kΩ 1/16W J	1	
	R15	RK73HB1J822J	MG RESISTOR	8.2kΩ 1/16W J	1	
	R17	RK73HB1J473J	MG RESISTOR	47kΩ 1/16W J	1	
	R21	RK73GB2A391J	MG RESISTOR	390Ω 1/16W J	1	
	R101	RK73HB1J471J	MG RESISTOR	470Ω 1/16W J	1	
	R102	RK73HB1J471J	MG RESISTOR	470Ω 1/16W J	1	
	R103	RK73HB1J102J	MG RESISTOR	1kΩ 1/16W J	1	
	R104	RK73GB2A2R2J	MG RESISTOR	2.2Ω 1/16W J	1	
	R105	R92-5557-08	MG RESISTOR	27Ω	1	
	R106	RK73HB1J242J	MG RESISTOR	2.4kΩ 1/16W J	1	
	R107	RK73HB1J432J	MG RESISTOR	4.3kΩ 1/16W J	1	
	R111	RK73HB1J471J	MG RESISTOR	470Ω 1/16W J	1	
	R112	RK73HB1J471J	MG RESISTOR	470Ω 1/16W J	1	
	R113	RK73HB1J102J	MG RESISTOR	1kΩ 1/16W J	1	
	R114	RK73GB2A2R2J	MG RESISTOR	2.2Ω 1/16W J	1	
	R115	R92-5433-08	MG RESISTOR	39Ω	1	
	R116	RK73HB1J242J	MG RESISTOR	2.4kΩ 1/16W J	1	
	R117	RK73HB1J432J	MG RESISTOR	4.3kΩ 1/16W J	1	
	R121	RK73HB1J910J	MG RESISTOR	91Ω 1/16W J	1	
	R122	RK73HB1J910J	MG RESISTOR	91Ω 1/16W J	1	
	R123	RK73HB1J104J	MG RESISTOR	100kΩ 1/16W J	1	
	R124	RK73HB1J103J	MG RESISTOR	10kΩ 1/16W J	1	

MODEL	MARK	MODEL	MARK	MODEL	MARK	MODEL	MARK
DDX3021E	E2	DDX3049R	R2	DDX3051Q	Q2	DDX319K	K1
DDX4021BTE	E1	DDX4031BTM	M1	DDX4031BTMM	M2	DDX4031BTX	X1
DDX4031M	M3	DDX4031MM	M4	DDX4031X	X2	DDX4049BTR	R1
DDX4051BTQ	Q1	DDX419K	K0				

Safe	Symbol No.	Parts No.	Parts Name	Description	QTY	Local
	R125	RK73HB1J103J	MG RESISTOR	10kΩ 1/16W J	1	
	R126	RK73GB2A150J	MG RESISTOR	15Ω 1/16W J	1	
	R131	RK73GH2A122D	MG RESISTOR	1.2kΩ 1/16W D	1	
	R132	RK73GH2A122D	MG RESISTOR	1.2kΩ 1/16W D	1	
	R139	RK73GB2A000J	MG RESISTOR	0Ω 1/10W J	1	
	R141	RK73GH2A332D	MG RESISTOR	3.3kΩ 1/16W D	1	
	R142	RK73HB1J162J	MG RESISTOR	1.6kΩ 1/16W J	1	
	R151	RK73HB1J472J	MG RESISTOR	4.7kΩ 1/16W J	1	
	R165	RK73HB1J473J	MG RESISTOR	47kΩ 1/16W J	1	
	R201	R92-5430-08	MG RESISTOR	0.22Ω	1	
	R202	R92-5430-08	MG RESISTOR	0.22Ω	1	
	R203	RK73GB2A101J	MG RESISTOR	100Ω 1/16W J	1	
	R204	R92-5431-08	MG RESISTOR	0.47Ω	1	
	R205	R92-5431-08	MG RESISTOR	0.47Ω	1	
	R206	RK73GH2A473D	MG RESISTOR	47kΩ 1/16W D	1	
	R212	RK73GH2A104D	MG RESISTOR	100kΩ 1/16W D	1	
	R213	RK73HB1J101J	MG RESISTOR	100Ω 1/16W J	1	
	R221	RK73HB1J102J	MG RESISTOR	1kΩ 1/16W J	1	
	R222	RK73HB1J102J	MG RESISTOR	1kΩ 1/16W J	1	
	R232	RK73HB1J473J	MG RESISTOR	47kΩ 1/16W J	1	
	R233	RK73HB1J104J	MG RESISTOR	100kΩ 1/16W J	1	
	R234	RK73HB1J104J	MG RESISTOR	100kΩ 1/16W J	1	
	R241	RK73GB2A223J	MG RESISTOR	22kΩ 1/16W J	1	
	R242	RK73GB2A103J	MG RESISTOR	10kΩ 1/16W J	1	
	R243	RK73GB2A223J	MG RESISTOR	22kΩ 1/16W J	1	
	R244	RK73GB2A103J	MG RESISTOR	10kΩ 1/16W J	1	
	R251	RK73GB2A393J	MG RESISTOR	39kΩ 1/16W J	1	
	R252	RK73GB2A203J	MG RESISTOR	20kΩ 1/16W J	1	
	R261	RK73GB2A333J	MG RESISTOR	33kΩ 1/16W J	1	
	R262	RK73GH2A753D	MG RESISTOR	75kΩ 1/16W D	1	
	R271	R92-5608-08	MG RESISTOR	62kΩ 1/16W J	1	
	R272	RK73HB1J152J	MG RESISTOR	1.5kΩ 1/16W J	1	
	R273	R92-5562-08	MG RESISTOR	6.2kΩ 1/16W J	1	
	R274	RK73HB1J391J	MG RESISTOR	390Ω 1/16W J	1	
	R302	RK73HB1J101J	MG RESISTOR	100Ω 1/16W J	1	
	R303	RK73HB1J101J	MG RESISTOR	100Ω 1/16W J	1	
	R304	RK73HB1J101J	MG RESISTOR	100Ω 1/16W J	1	
	R306	RK73HB1J331J	MG RESISTOR	330Ω 1/16W J	1	
	R307	RK73HB1J331J	MG RESISTOR	330Ω 1/16W J	1	
	R308	RK73GB2A152J	MG RESISTOR	1.5kΩ 1/16W J	1	
	R309	RK73GB2A152J	MG RESISTOR	1.5kΩ 1/16W J	1	
	R310	RK73HB1J103J	MG RESISTOR	10kΩ 1/16W J	1	
	R311	RK73HB1J223J	MG RESISTOR	22kΩ 1/16W J	1	
	R313	RK73GB2A181J	MG RESISTOR	180Ω 1/16W J	1	
	R314	RK73GH2A222D	MG RESISTOR	2.2kΩ 1/16W D	1	
	R315	RK73GH2A222D	MG RESISTOR	2.2kΩ 1/16W D	1	
	R319	RK73GH2A243D	MG RESISTOR	24kΩ 1/16W D	1	
	R323	RK73HB1J104J	MG RESISTOR	100kΩ 1/16W J	1	
	R327	RK73HB1J270J	MG RESISTOR	27Ω 1/16W J	1	
	R328	RK73HB1J102J	MG RESISTOR	1kΩ 1/16W J	1	
	R329	RK73HB1J102J	MG RESISTOR	1kΩ 1/16W J	1	
	R330	RK73HB1J103J	MG RESISTOR	10kΩ 1/16W J	1	
	R341	RK73GB2A103J	MG RESISTOR	10kΩ 1/16W J	1	
	R351	RK73GB2A105J	MG RESISTOR	1MΩ 1/16W J	1	
	R352	RK73HB1J102J	MG RESISTOR	1kΩ 1/16W J	1	
	R365	RK73HB1J103J	MG RESISTOR	10kΩ 1/16W J	1	
	R376	RK73HB1J822J	MG RESISTOR	8.2kΩ 1/16W J	1	
	R386	RK73HB1J184J	MG RESISTOR	180kΩ 1/16W J	1	
	R400	RK73HB1J153J	MG RESISTOR	15kΩ 1/16W J	1	
	R401	RK73GB2A100J	MG RESISTOR	10Ω 1/16W J	1	
	R402	RK73HB1J100J	MG RESISTOR	10Ω 1/16W J	1	
	R403	RK73HB1J103J	MG RESISTOR	10kΩ 1/16W J	1	
	R501	RK73HB1J103J	MG RESISTOR	10kΩ 1/16W J	1	
	R511	RK73HB1J103J	MG RESISTOR	10kΩ 1/16W J	1	
	R512	RK73HB1J103J	MG RESISTOR	10kΩ 1/16W J	1	
	R513	RK73GB2A104J	MG RESISTOR	100kΩ 1/16W J	1	
	R601	R92-5605-08	MG RESISTOR	27Ω 1/8W F	1	
	R602	R92-5605-08	MG RESISTOR	27Ω 1/8W F	1	
	R611	RK73HB1J153J	MG RESISTOR	15kΩ 1/16W J	1	
	R612	RK73HB1J153J	MG RESISTOR	15kΩ 1/16W J	1	
	R702	RK73HB1J102J	MG RESISTOR	1kΩ 1/16W J	1	
	R911	R92-5429-08	MG RESISTOR	0.18Ω	1	
	B341	RK73GB2A000J	MG RESISTOR	0Ω 1/10W J	1	
	B411	RK73GB2A000J	MG RESISTOR	0Ω 1/10W J	1	
	CN101	E41-3315-08	CONNECTOR	FFC/FPC (1-30)	1	
	CN201	E41-3117-08	CONNECTOR	FFC/FPC (1-20)	1	
	CN401	E41-3365-08	CONNECTOR	FFC/FPC (1-50)	1	
	K101	L92-0657-08	FERRITE BEADS		1	
	K102	L92-0657-08	FERRITE BEADS		1	
	K301	L92-0658-08	FERRITE BEADS		1	
	K311	L92-0658-08	FERRITE BEADS		1	
	K312	L92-0658-08	FERRITE BEADS		1	
	K313	L92-0658-08	FERRITE BEADS		1	
	K314	L92-0658-08	FERRITE BEADS		1	
	K381	RK73GB2A000J	MG RESISTOR	0Ω 1/10W J	1	
	K391	L92-0659-08	FERRITE BEADS		1	
	K703	L92-0903-08	FERRITE BEADS		1	
	K707	L92-0903-08	FERRITE BEADS		1	



MODEL	MARK	MODEL	MARK	MODEL	MARK	MODEL	MARK
DDX3021E	E2	DDX3049R	R2	DDX3051Q	Q2	DDX319K	K1
DDX4021BTE	E1	DDX4031BTM	M1	DDX4031BTMM	M2	DDX4031BTX	X1
DDX4031M	M3	DDX4031MM	M4	DDX4031X	X2	DDX4049BTR	R1
DDX4051BTQ	Q1	DDX419K	K0				

Safe	Symbol No.	Parts No.	Parts Name	Description	QTY	Local
------	------------	-----------	------------	-------------	-----	-------

K708	L92-0903-08	FERRITE BEADS			1	
K709	L92-0903-08	FERRITE BEADS			1	
K711	L92-0903-08	FERRITE BEADS			1	
K712	L92-0903-08	FERRITE BEADS			1	
K714	L92-0903-08	FERRITE BEADS			1	
K911	L92-0659-08	FERRITE BEADS			1	
S1	S74-0829-08	DETECT SWITCH		_SW	1	
X351	L77-3863-08	CRYSTAL			1	

DVB DVD UNIT (D40-2245-08/FMU-XS2-41D) IN DVD MECHA <DVB>

IC101	RT3CLLM/EF/-X	TRANSISTOR			1	
IC102	RT3K11M-X	MOS FET ARRAY			1	
IC201	BD7905BFS-X	IC			1	
IC301	MN2DS0040MA	IC			1	
IC381	JVM595A	PROGRAMED IC			1	
IC391	A3V28S40FTP-G6	IC			1	
IC401	AK4387ET-X	IC			1	
IC501	BR24T32FVT-W-X	IC			1	
IC511	MFI341S2162-X	IC			1	
IC901	MM3233CF-X	IC			1	
IC921	MM1701CH-X	IC			1	
Q4	DSC2001/R/-X	TRANSISTOR			1	
Q11	DSC2001/R/-X	TRANSISTOR			1	
Q12	LTC044EEB-X	DIGI TRANSISTOR			1	
Q101	2SB1424/R/-W	TRANSISTOR			1	
Q102	2SB1424/R/-W	TRANSISTOR			1	
Q103	2SC4617	TRANSISTOR			1	
Q271	LTC014EEB-X	DIGI TRANSISTOR			1	
Q302	LTC044EEB-X	DIGI TRANSISTOR			1	
Q341	LTC044EEB-X	DIGI TRANSISTOR			1	

D6	AN1102W-6-X	IR LED			1	
D7	AN1102W-6-X	IR LED			1	
D9	PS1192HB-22-X	PHOTO TRANSISTOR			1	
D11	PS1192HB-22-X	PHOTO TRANSISTOR			1	
C101	CK73FB0J226M	C CAPACITOR	22uF 6.3V M		1	
C102	C91-2327-08	C CAPACITOR	47uF 6.3V M		1	
C103	C91-2327-08	C CAPACITOR	47uF 6.3V M		1	
C104	C93-1512-08	C CAPACITOR	0.1uF 16V K		1	
C105	C93-1512-08	C CAPACITOR	0.1uF 16V K		1	
C106	C93-1512-08	C CAPACITOR	0.1uF 16V K		1	
C107	C93-1512-08	C CAPACITOR	0.1uF 16V K		1	
C108	C93-1512-08	C CAPACITOR	0.1uF 16V K		1	
C109	C93-1512-08	C CAPACITOR	0.1uF 16V K		1	
C110	C93-1512-08	C CAPACITOR	0.1uF 16V K		1	
C111	CK73GB1A105K	C CAPACITOR	1uF 16V K		1	
C112	CK73GB1A105K	C CAPACITOR	1uF 16V K		1	
C113	C93-1512-08	C CAPACITOR	0.1uF 16V K		1	
C121	C93-1512-08	C CAPACITOR	0.1uF 16V K		1	
C122	CK73HB1C333K	C CAPACITOR	0.033uF 16V K		1	
C123	C93-1512-08	C CAPACITOR	0.1uF 16V K		1	

C124	C93-1512-08	C CAPACITOR	0.1uF 16V K		1	
C131	C93-1598-08	C CAPACITOR	2700pF 50V K		1	
C133	C93-1518-08	C CAPACITOR	0.68uF 16V K		1	
C134	C93-1518-08	C CAPACITOR	0.68uF 16V K		1	
C135	C93-1512-08	C CAPACITOR	0.1uF 16V K		1	
C136	C93-1512-08	C CAPACITOR	0.1uF 16V K		1	
C137	C93-1512-08	C CAPACITOR	0.1uF 16V K		1	
C138	C93-1512-08	C CAPACITOR	0.1uF 16V K		1	
C141	C93-1512-08	C CAPACITOR	0.1uF 16V K		1	
C151	C93-1512-08	C CAPACITOR	0.1uF 16V K		1	
C201	C91-2330-08	C CAPACITOR	47uF 16V K		1	
C203	C91-2330-08	C CAPACITOR	47uF 16V K		1	
C207	C93-1512-08	C CAPACITOR	0.1uF 16V K		1	
C209	CK73HB1H102K	C CAPACITOR	1000pF 50V K		1	
C210	CK73HB1H102K	C CAPACITOR	1000pF 50V K		1	
C211	CK73HB1H102K	C CAPACITOR	1000pF 50V K		1	
C212	C93-1512-08	C CAPACITOR	0.1uF 16V K		1	
C213	C93-1512-08	C CAPACITOR	0.1uF 16V K		1	
C214	C93-1512-08	C CAPACITOR	0.1uF 16V K		1	
C215	C93-1512-08	C CAPACITOR	0.1uF 16V K		1	

C218	CK73HB1H102K	C CAPACITOR	1000pF 50V K		1	
C219	C93-1512-08	C CAPACITOR	0.1uF 16V K		1	
C220	C93-1512-08	C CAPACITOR	0.1uF 16V K		1	
C221	CK73GB1A105K	C CAPACITOR	1uF 16V K		1	
C241	CK73HB1H822K	C CAPACITOR	8200pF 25V K		1	
C242	CK73HB1H822K	C CAPACITOR	8200pF 25V K		1	
C251	C93-1626-08	C CAPACITOR	110pF 50V J		1	
C261	CK73HB1H102K	C CAPACITOR	1000pF 50V K		1	
C301	C93-1512-08	C CAPACITOR	0.1uF 16V K		1	
C302	C93-1512-08	C CAPACITOR	0.1uF 16V K		1	
C303	C93-1512-08	C CAPACITOR	0.1uF 16V K		1	
C304	C93-1512-08	C CAPACITOR	0.1uF 16V K		1	
C305	C93-1512-08	C CAPACITOR	0.1uF 16V K		1	
C306	C93-1512-08	C CAPACITOR	0.1uF 16V K		1	
C307	C93-1512-08	C CAPACITOR	0.1uF 16V K		1	
C308	C93-1512-08	C CAPACITOR	0.1uF 16V K		1	
C309	C93-1512-08	C CAPACITOR	0.1uF 16V K		1	
C310	CK73HB1H103K	C CAPACITOR	0.01uF 25V K		1	
C311	C93-1512-08	C CAPACITOR	0.1uF 16V K		1	

MODEL	MARK	MODEL	MARK	MODEL	MARK	MODEL	MARK
DDX3021E	E2	DDX3049R	R2	DDX3051Q	Q2	DDX319K	K1
DDX4021BTE	E1	DDX4031BTM	M1	DDX4031BTMM	M2	DDX4031BTX	X1
DDX4031M	M3	DDX4031MM	M4	DDX4031X	X2	DDX4049BTR	R1
DDX4051BTQ	Q1	DDX419K	K0				

Safe	Symbol No.	Parts No.	Parts Name	Description	QTY	Local
	C314	CK73HB1H122K	C CAPACITOR	1200pF 50V K	1	
	C315	CK73HB1H122K	C CAPACITOR	1200pF 50V K	1	
	C316	CK73GB1A105K	C CAPACITOR	1uF 16V K	1	
	C317	CK73GB1A105K	C CAPACITOR	1uF 16V K	1	
	C318	CK73GB1A105K	C CAPACITOR	1uF 16V K	1	
	C319	C93-1512-08	C CAPACITOR	0.1uF 16V K	1	
	C320	C93-1512-08	C CAPACITOR	0.1uF 16V K	1	
	C322	C93-1512-08	C CAPACITOR	0.1uF 16V K	1	
	C324	C93-1512-08	C CAPACITOR	0.1uF 16V K	1	
	C325	C93-1512-08	C CAPACITOR	0.1uF 16V K	1	
	C326	CK73HB1H103K	C CAPACITOR	0.01uF 25V K	1	
	C327	C93-1512-08	C CAPACITOR	0.1uF 16V K	1	
	C329	C93-1512-08	C CAPACITOR	0.1uF 16V K	1	
	C330	C93-1512-08	C CAPACITOR	0.1uF 16V K	1	
	C331	C93-1512-08	C CAPACITOR	0.1uF 16V K	1	
	C332	C93-1512-08	C CAPACITOR	0.1uF 16V K	1	
	C333	C93-1512-08	C CAPACITOR	0.1uF 16V K	1	
	C351	CC73HCH1H120J	C CAPACITOR	12pF 50V J	1	
	C352	CC73HCH1H120J	C CAPACITOR	12pF 50V J	1	
	C381	C91-2325-08	C CAPACITOR	22uF 6.3V K	1	
	C382	C93-1512-08	C CAPACITOR	0.1uF 16V K	1	
	C391	CK73FB0J226M	C CAPACITOR	22uF 6.3V M	1	
	C392	C93-1512-08	C CAPACITOR	0.1uF 16V K	1	
	C394	C93-1512-08	C CAPACITOR	0.1uF 16V K	1	
	C395	C93-1512-08	C CAPACITOR	0.1uF 16V K	1	
	C396	C93-1512-08	C CAPACITOR	0.1uF 16V K	1	
	C397	C93-1512-08	C CAPACITOR	0.1uF 16V K	1	
	C398	C93-1512-08	C CAPACITOR	0.1uF 16V K	1	
	C399	C93-1512-08	C CAPACITOR	0.1uF 16V K	1	
	C401	C91-2328-08	C CAPACITOR	47uF 10V K	1	
	C402	C93-1512-08	C CAPACITOR	0.1uF 16V K	1	
	C403	C93-1512-08	C CAPACITOR	0.1uF 16V K	1	
	C404	C91-2325-08	C CAPACITOR	22uF 6.3V K	1	
	C405	C93-1512-08	C CAPACITOR	0.1uF 16V K	1	
	C406	CK73HB1H331K	C CAPACITOR	330pF 50V K	1	
	C411	CK73HB1C473K	C CAPACITOR	0.047uF 16V K	1	
	C412	CC73HCH1H101J	C CAPACITOR	100pF 50V J	1	
	C501	C93-1512-08	C CAPACITOR	0.1uF 16V K	1	
	C511	C93-1512-08	C CAPACITOR	0.1uF 16V K	1	
	C701	C93-1512-08	C CAPACITOR	0.1uF 16V K	1	
	C702	C93-1512-08	C CAPACITOR	0.1uF 16V K	1	
	C703	C93-1512-08	C CAPACITOR	0.1uF 16V K	1	
	C704	C93-1512-08	C CAPACITOR	0.1uF 16V K	1	
	C705	C93-1512-08	C CAPACITOR	0.1uF 16V K	1	
	C901	CK73GB1A105K	C CAPACITOR	1uF 16V K	1	
	C902	CK73GB1A105K	C CAPACITOR	1uF 16V K	1	
	C911	C91-2327-08	C CAPACITOR	47uF 6.3V M	1	
	C912	C93-1512-08	C CAPACITOR	0.1uF 16V K	1	
	C913	CK73FB0J226M	C CAPACITOR	22uF 6.3V M	1	
	C914	C93-1512-08	C CAPACITOR	0.1uF 16V K	1	
	C921	CK73GB1A105K	C CAPACITOR	1uF 16V K	1	
	C922	CK73HB1H103K	C CAPACITOR	0.01uF 25V K	1	
	C923	CK73GB1A105K	C CAPACITOR	1uF 16V K	1	
	R11	RK73GB2A391J	MG RESISTOR	390Ω 1/16W J	1	
	R12	RK73HB1J184J	MG RESISTOR	180kΩ 1/16W J	1	
	R13	RK73HB1J103J	MG RESISTOR	10kΩ 1/16W J	1	
	R15	RK73HB1J822J	MG RESISTOR	8.2kΩ 1/16W J	1	
	R17	RK73HB1J473J	MG RESISTOR	47kΩ 1/16W J	1	
	R21	RK73GB2A391J	MG RESISTOR	390Ω 1/16W J	1	
	R101	RK73HB1J471J	MG RESISTOR	470Ω 1/16W J	1	
	R102	RK73HB1J471J	MG RESISTOR	470Ω 1/16W J	1	
	R103	RK73HB1J102J	MG RESISTOR	1kΩ 1/16W J	1	
	R104	RK73GB2A2R2J	MG RESISTOR	2.2Ω 1/16W J	1	
	R105	R92-5557-08	MG RESISTOR	27Ω	1	
	R106	RK73HB1J242J	MG RESISTOR	2.4kΩ 1/16W J	1	
	R107	RK73HB1J432J	MG RESISTOR	4.3kΩ 1/16W J	1	
	R111	RK73HB1J471J	MG RESISTOR	470Ω 1/16W J	1	
	R112	RK73HB1J471J	MG RESISTOR	470Ω 1/16W J	1	
	R113	RK73HB1J102J	MG RESISTOR	1kΩ 1/16W J	1	
	R114	RK73GB2A2R2J	MG RESISTOR	2.2Ω 1/16W J	1	
	R115	R92-5433-08	MG RESISTOR	39Ω	1	
	R116	RK73HB1J242J	MG RESISTOR	2.4kΩ 1/16W J	1	
	R117	RK73HB1J432J	MG RESISTOR	4.3kΩ 1/16W J	1	
	R121	RK73HB1J910J	MG RESISTOR	91Ω 1/16W J	1	
	R122	RK73HB1J910J	MG RESISTOR	91Ω 1/16W J	1	
	R123	RK73HB1J104J	MG RESISTOR	100kΩ 1/16W J	1	
	R124	RK73HB1J103J	MG RESISTOR	10kΩ 1/16W J	1	
	R125	RK73HB1J103J	MG RESISTOR	10kΩ 1/16W J	1	
	R126	RK73GB2A150J	MG RESISTOR	15Ω 1/16W J	1	
	R131	RK73GH2A122D	MG RESISTOR	1.2kΩ 1/16W D	1	
	R132	RK73GH2A122D	MG RESISTOR	1.2kΩ 1/16W D	1	
	R139	RK73GB2A000J	MG RESISTOR	0Ω 1/10W J	1	
	R141	RK73GH2A332D	MG RESISTOR	3.3kΩ 1/16W D	1	
	R142	RK73HB1J162J	MG RESISTOR	1.6kΩ 1/16W J	1	
	R151	RK73HB1J472J	MG RESISTOR	4.7kΩ 1/16W J	1	
	R165	RK73HB1J473J	MG RESISTOR	47kΩ 1/16W J	1	
	R201	R92-5431-08	MG RESISTOR	0.47Ω	1	

MODEL	MARK	MODEL	MARK	MODEL	MARK	MODEL	MARK
DDX3021E	E2	DDX3049R	R2	DDX3051Q	Q2	DDX319K	K1
DDX4021BTE	E1	DDX4031BTM	M1	DDX4031BTMM	M2	DDX4031BTX	X1
DDX4031M	M3	DDX4031MM	M4	DDX4031X	X2	DDX4049BTR	R1
DDX4051BTQ	Q1	DDX419K	K0				

Safe	Symbol No.	Parts No.	Parts Name	Description	QTY	Local
	R202	R92-5431-08	MG RESISTOR	0.47Ω	1	
	R203	RK73GB2A101J	MG RESISTOR	100Ω 1/16W J	1	
	R204	R92-5431-08	MG RESISTOR	0.47Ω	1	
	R205	R92-5431-08	MG RESISTOR	0.47Ω	1	
	R212	RK73GH2A134D	MG RESISTOR	130kΩ 1/16W D	1	
	R213	RK73HB1J101J	MG RESISTOR	100Ω 1/16W J	1	
	R221	RK73HH1J102D	MG RESISTOR	1kΩ 1/16W D	1	
	R222	RK73HH1J102D	MG RESISTOR	1kΩ 1/16W D	1	
	R232	RK73HB1J473J	MG RESISTOR	47kΩ 1/16W J	1	
	R233	RK73HB1J104J	MG RESISTOR	100kΩ 1/16W J	1	
	R234	RK73HB1J104J	MG RESISTOR	100kΩ 1/16W J	1	
	R241	RK73GB2A623J	MG RESISTOR	62kΩ 1/16W J	1	
	R243	RK73GB2A623J	MG RESISTOR	62kΩ 1/16W J	1	
	R251	RK73GB2A114J	MG RESISTOR	110kΩ 1/16W J	1	
	R261	RK73GB2A472J	MG RESISTOR	4.7kΩ 1/16W J	1	
	R271	RK73HH1J622D	MG RESISTOR	6.2kΩ 1/16W D	1	
	R272	RK73HH1J202D	MG RESISTOR	2kΩ 1/16W D	1	
	R273	RK73HH1J272D	MG RESISTOR	2.7kΩ 1/16W D	1	
	R274	RK73HH1J302D	MG RESISTOR	3kΩ 1/16W D	1	
	R275	RK73HB1J000J	MG RESISTOR	0Ω 1/16W J	1	
	R302	RK73HB1J101J	MG RESISTOR	100Ω 1/16W J	1	
	R303	RK73HB1J101J	MG RESISTOR	100Ω 1/16W J	1	
	R304	RK73HB1J101J	MG RESISTOR	100Ω 1/16W J	1	
	R306	RK73HB1J331J	MG RESISTOR	330Ω 1/16W J	1	
	R307	RK73HB1J331J	MG RESISTOR	330Ω 1/16W J	1	
	R308	RK73GB2A152J	MG RESISTOR	1.5kΩ 1/16W J	1	
	R309	RK73GB2A152J	MG RESISTOR	1.5kΩ 1/16W J	1	
	R310	RK73HB1J103J	MG RESISTOR	10kΩ 1/16W J	1	
	R311	RK73HB1J223J	MG RESISTOR	22kΩ 1/16W J	1	
	R313	RK73GB2A181J	MG RESISTOR	180Ω 1/16W J	1	
	R314	RK73GH2A222D	MG RESISTOR	2.2kΩ 1/16W D	1	
	R315	RK73GH2A222D	MG RESISTOR	2.2kΩ 1/16W D	1	
	R319	RK73GH2A243D	MG RESISTOR	24kΩ 1/16W D	1	
	R323	RK73HB1J104J	MG RESISTOR	100kΩ 1/16W J	1	
	R327	RK73HB1J270J	MG RESISTOR	27Ω 1/16W J	1	
	R328	RK73HB1J102J	MG RESISTOR	1kΩ 1/16W J	1	
	R329	RK73HB1J102J	MG RESISTOR	1kΩ 1/16W J	1	
	R330	RK73HB1J103J	MG RESISTOR	10kΩ 1/16W J	1	
	R341	RK73GB2A103J	MG RESISTOR	10kΩ 1/16W J	1	
	R351	RK73GB2A105J	MG RESISTOR	1MΩ 1/16W J	1	
	R352	RK73HB1J102J	MG RESISTOR	1kΩ 1/16W J	1	
	R365	RK73HB1J103J	MG RESISTOR	10kΩ 1/16W J	1	
	R376	RK73HB1J822J	MG RESISTOR	8.2kΩ 1/16W J	1	
	R386	RK73HB1J184J	MG RESISTOR	180kΩ 1/16W J	1	
	R400	RK73HB1J153J	MG RESISTOR	15kΩ 1/16W J	1	
	R401	RK73GB2A100J	MG RESISTOR	10Ω 1/16W J	1	
	R402	RK73HB1J100J	MG RESISTOR	10Ω 1/16W J	1	
	R403	RK73HB1J103J	MG RESISTOR	10kΩ 1/16W J	1	
	R501	RK73HB1J103J	MG RESISTOR	10kΩ 1/16W J	1	
	R511	RK73HB1J103J	MG RESISTOR	10kΩ 1/16W J	1	
	R512	RK73HB1J103J	MG RESISTOR	10kΩ 1/16W J	1	
	R513	RK73GB2A104J	MG RESISTOR	100kΩ 1/16W J	1	
	R601	R92-5605-08	MG RESISTOR	27Ω 1/8W F	1	
	R602	R92-5605-08	MG RESISTOR	27Ω 1/8W F	1	
	R611	RK73HB1J153J	MG RESISTOR	15kΩ 1/16W J	1	
	R612	RK73HB1J153J	MG RESISTOR	15kΩ 1/16W J	1	
	R702	RK73HB1J102J	MG RESISTOR	1kΩ 1/16W J	1	
	R911	R92-5429-08	MG RESISTOR	0.18Ω	1	
	B341	RK73GB2A000J	MG RESISTOR	0Ω 1/10W J	1	
	B411	RK73GB2A000J	MG RESISTOR	0Ω 1/10W J	1	
	CN11	E41-3370-08	CONNECTOR	W-B (1-3)	1	
	CN101	E41-3315-08	CONNECTOR	FFC/FPC (1-30)	1	
	CN201	E41-3117-08	CONNECTOR	FFC/FPC (1-20)	1	
	CN401	E41-3365-08	CONNECTOR	FFC/FPC (1-50)	1	
	CN404	E41-3116-08	CONNECTOR	FFC/FPC (1-6)	1	
	K101	L92-0657-08	FERRITE BEADS		1	
	K102	L92-0657-08	FERRITE BEADS		1	
	K301	L92-0658-08	FERRITE BEADS		1	
	K311	L92-0658-08	FERRITE BEADS		1	
	K312	L92-0658-08	FERRITE BEADS		1	
	K313	L92-0658-08	FERRITE BEADS		1	
	K314	L92-0658-08	FERRITE BEADS		1	
	K381	RK73GB2A000J	MG RESISTOR	0Ω 1/10W J	1	
	K391	L92-0659-08	FERRITE BEADS		1	
	K703	L92-0903-08	FERRITE BEADS		1	
	K707	L92-0903-08	FERRITE BEADS		1	
	K708	L92-0903-08	FERRITE BEADS		1	
	K709	L92-0903-08	FERRITE BEADS		1	
	K711	L92-0903-08	FERRITE BEADS		1	
	K712	L92-0903-08	FERRITE BEADS		1	
	K714	L92-0903-08	FERRITE BEADS		1	
	K911	L92-0659-08	FERRITE BEADS		1	
	S1	S74-0829-08	DETECT SWITCH		1	
	X351	L77-3863-08	CRYSTAL		1	

# KENWOOD

## SCHEMATIC DIAGRAMS

### MONITOR WITH DVD RECEIVER

DDX3021

DDX319

DDX4031BT

DDX4049BT

DDX3049

DDX4021BT

DDX4031BTM

DDX4051BT

DDX3051

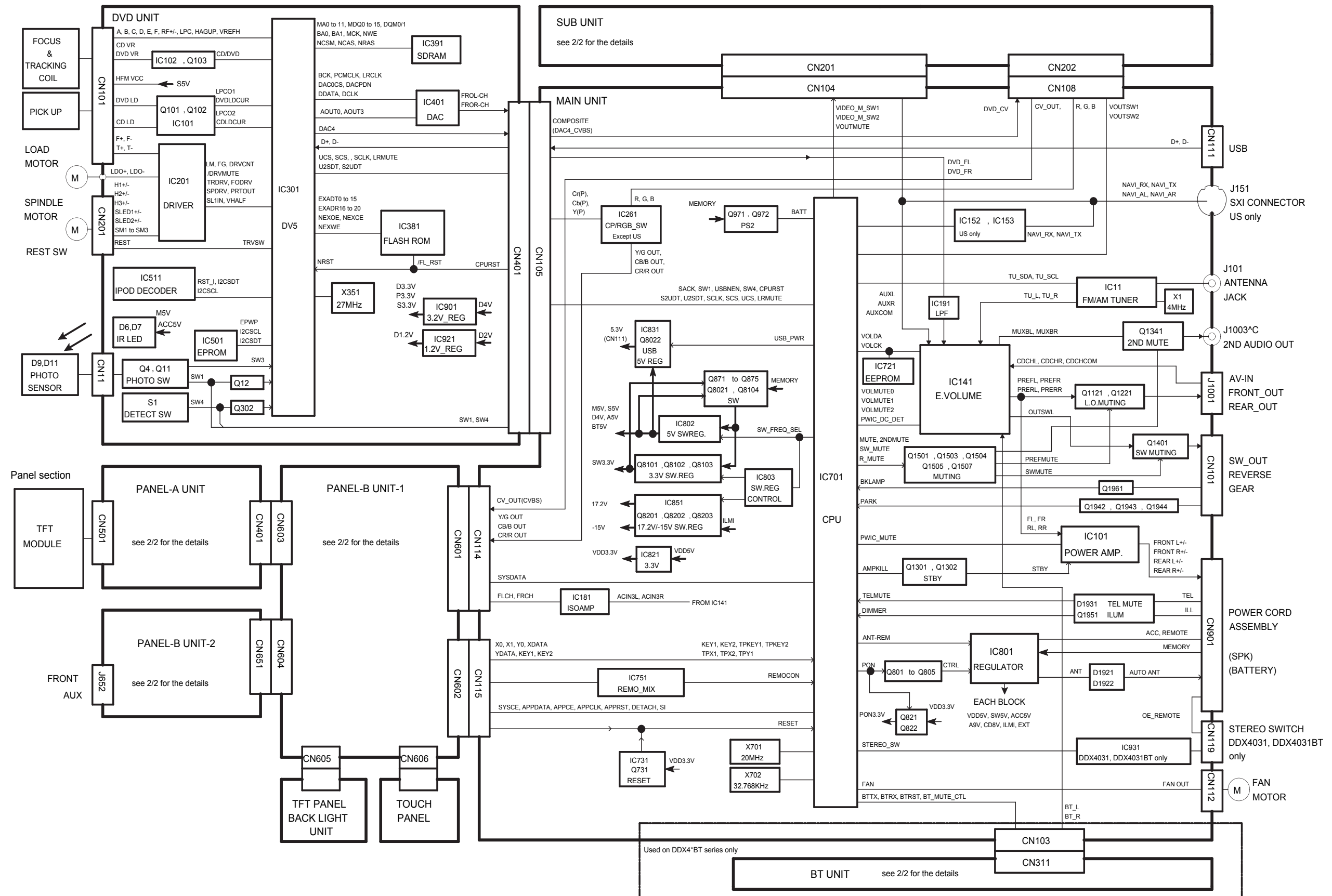
DDX4031

DDX4031M

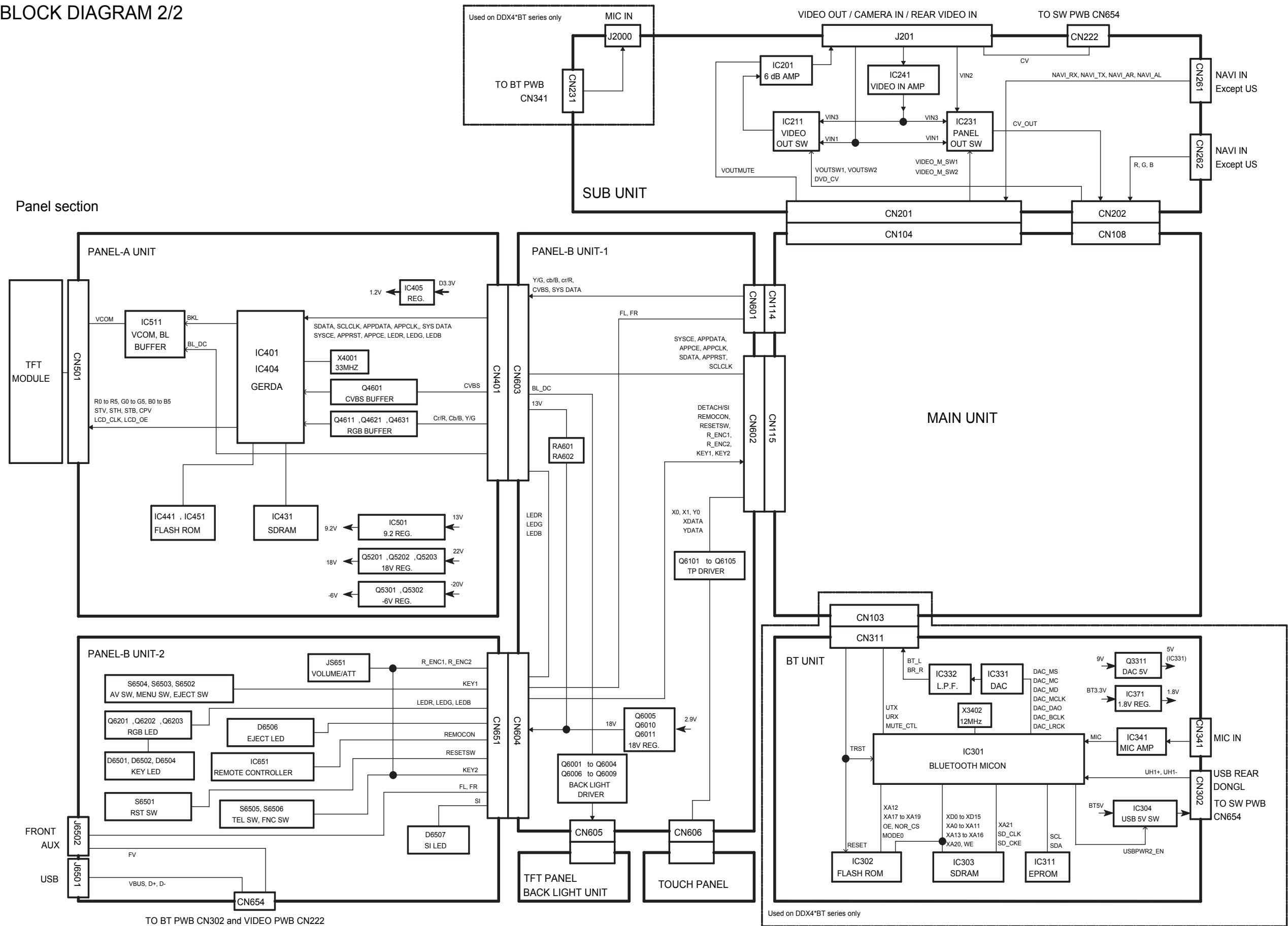
DDX419



BLOCK DIAGRAM 1/2



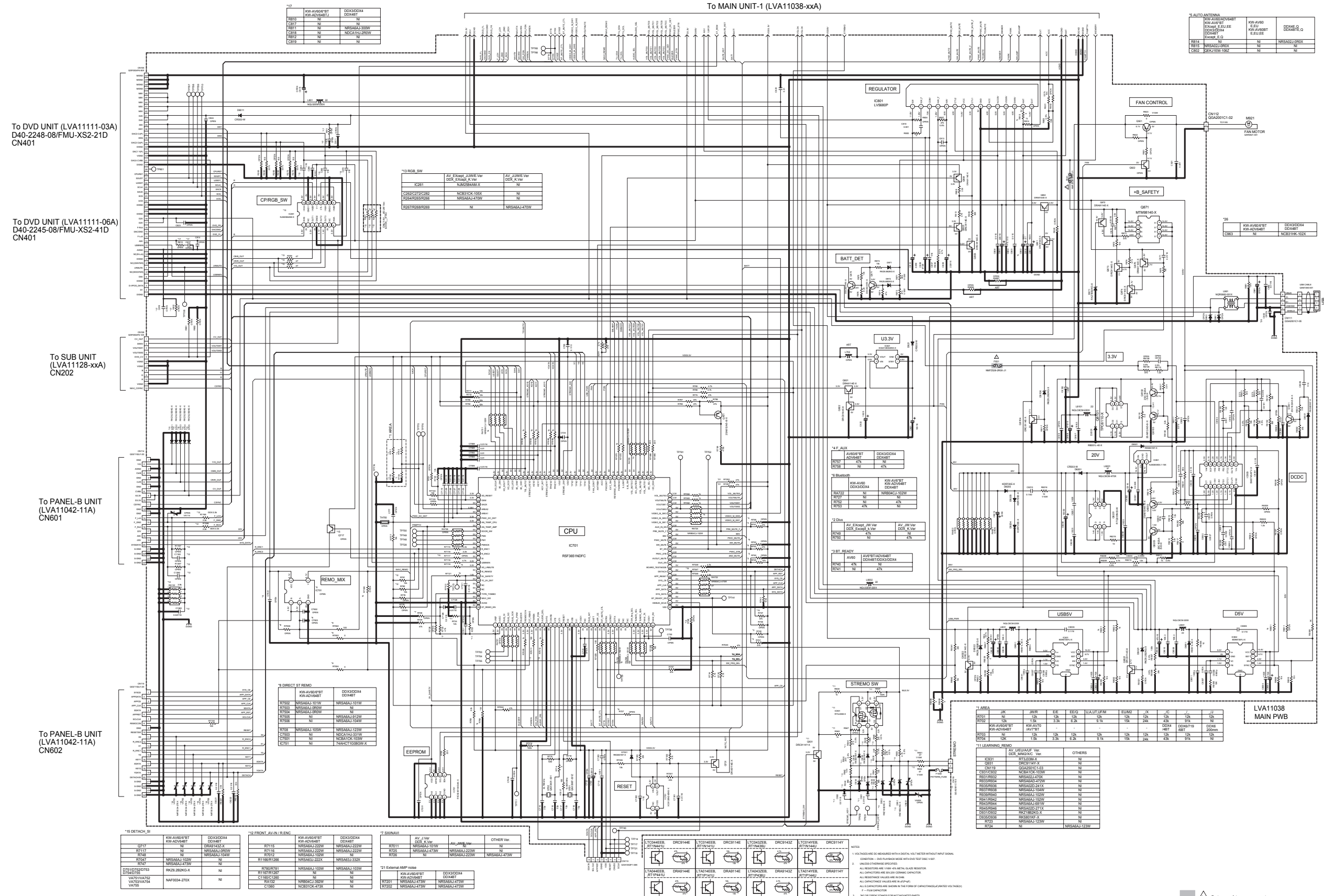
BLOCK DIAGRAM 2/2



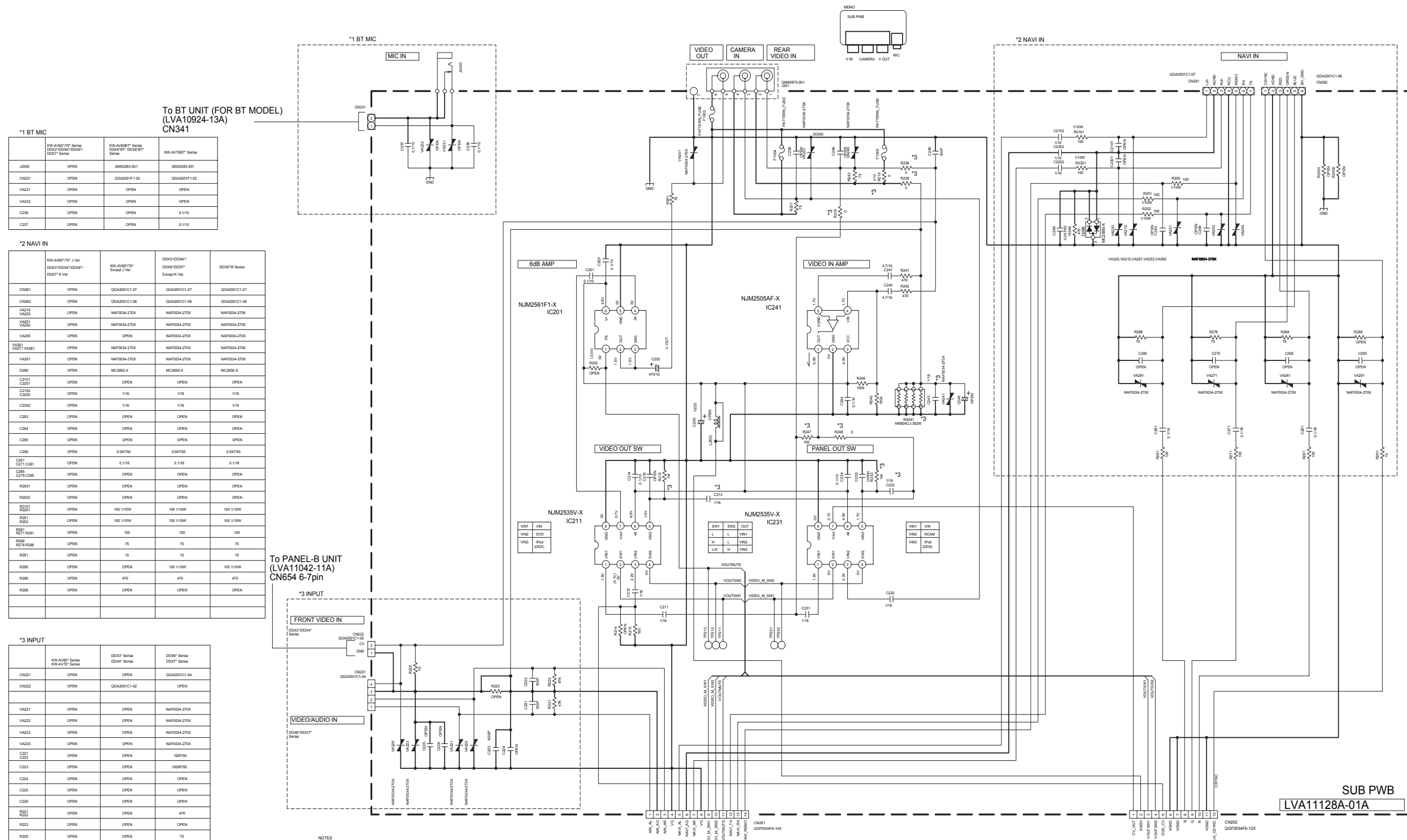




# MAIN UNIT-2 (LVA11038-xxA)



# SUB UNIT (LVA1128-xxA)



**\*1 BT MIC**

	KIAJAV707* Series DDK7*DDK4* DDK7* Series	KIAJAV821* Series DDK4*DDK4* DDK4* Series	KIAJAV708* Series DDK7* Series
J2000	OPEN	CH9283-001	CH9283-001
CN231	OPEN	QGAS201F1-02	QGAS201F1-02
VA221	OPEN	OPEN	OPEN
VA232	OPEN	OPEN	OPEN
C236	OPEN	OPEN	0.1/10
C237	OPEN	OPEN	0.1/10

**\*2 NAVI IN**

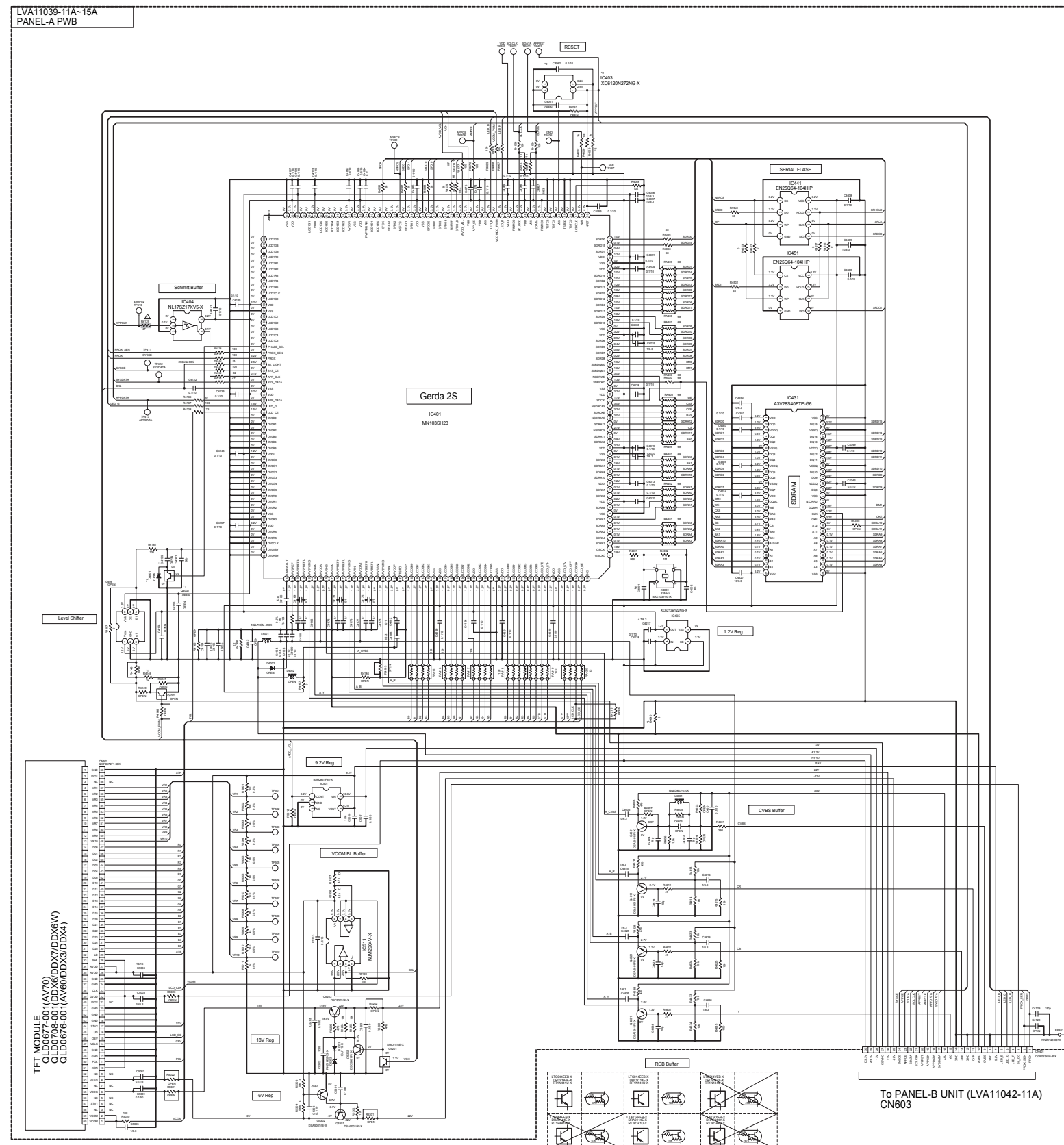
	KIAJAV707* J Ver. DDK7*DDK4* DDK7* Series	KIAJAV821* J Ver. DDK4*DDK4* DDK4* Series	DDK7*DDK4* DDK7* Series	DDK7* Series
CH281	OPEN	QGAS201C1-07	QGAS201C1-07	QGAS201C1-07
CH282	OPEN	QGAS201C1-08	QGAS201C1-08	QGAS201C1-08
VA210	OPEN	NAF0304-270X	NAF0304-270X	NAF0304-270X
VA221	OPEN	NAF0304-270X	NAF0304-270X	NAF0304-270X
VA252	OPEN	NAF0304-270X	NAF0304-270X	NAF0304-270X
VA255	OPEN	NAF0304-270X	NAF0304-270X	NAF0304-270X
VA281	OPEN	NAF0304-270X	NAF0304-270X	NAF0304-270X
VA291	OPEN	NAF0304-270X	NAF0304-270X	NAF0304-270X
IC206	OPEN	MC2855-X	MC2855-X	MC2855-X
C218	OPEN	OPEN	OPEN	OPEN
C220	OPEN	1/16	1/16	1/16
C2302	OPEN	1/16	1/16	1/16
C233	OPEN	OPEN	OPEN	OPEN
C284	OPEN	OPEN	OPEN	OPEN
C285	OPEN	OPEN	OPEN	OPEN
C286	OPEN	0.04750	0.04750	0.04750
C287	OPEN	0.1/16	0.1/16	0.1/16
C271	OPEN	OPEN	OPEN	OPEN
C275	OPEN	OPEN	OPEN	OPEN
R2001	OPEN	OPEN	OPEN	OPEN
R2002	OPEN	OPEN	OPEN	OPEN
R2151	OPEN	100 1/100W	100 1/100W	100 1/100W
R2152	OPEN	100 1/100W	100 1/100W	100 1/100W
R216	OPEN	100	100	100
R218	OPEN	75	75	75
R219	OPEN	10	10	10
R225	OPEN	OPEN	100 1/100W	100 1/100W
R226	OPEN	470	470	470
R228	OPEN	OPEN	OPEN	OPEN

**\*3 INPUT**

	KIAJAV707* Series KIAJAV707* Series	DDK7* Series DDK4* Series	DDK7* Series DDK4* Series
CN221	OPEN	OPEN	QGAS201C1-04
CN222	OPEN	OPEN	QGAS201C1-02
VA221	OPEN	OPEN	NAF0304-270X
VA222	OPEN	OPEN	NAF0304-270X
VA223	OPEN	OPEN	NAF0304-270X
VA225	OPEN	OPEN	NAF0304-270X
C221	OPEN	OPEN	100P/50
C222	OPEN	OPEN	100P/50
C224	OPEN	OPEN	OPEN
C225	OPEN	OPEN	OPEN
C226	OPEN	OPEN	OPEN
R221	OPEN	OPEN	47K
R222	OPEN	OPEN	OPEN
R225	OPEN	OPEN	75
VA241	NAF0304-270X	OPEN	NAF0304-270X
RA241	NR504CJ-350W	NR504CJ-350W	NR504CJ-350W
R213	1M	OPEN	OPEN
R218	OPEN	0	0
R219	OPEN	0	0
R223	1M	OPEN	OPEN
R228	0	OPEN	OPEN
R229	0	OPEN	OPEN
R247	100	OPEN	OPEN
R248	OPEN	0	0
C213	OPEN	1/16	1/16
C233	OPEN	1/16	1/16

- NOTES**
- VOLTAGES ARE DC-MEASURED WITH A DIGITAL VOLT METER WITHOUT INPUT SIGNAL CONDITION - DVD PLAYBACK MODE WITH DVD TEST DISC V-50113(COLOR BAR).
  - UNLESS OTHERWISE SPECIFIED, ALL RESISTORS ARE 1/16W ±5% METAL GLAZE RESISTOR. ALL CAPACITORS ARE CERAMIC CAPACITOR, NON RATED VOLTAGE IS 50V. ALL RESISTANCE VALUES ARE IN OHM. ALL CAPACITANCE VALUES ARE IN pF (Ppf). ALL E-CAPACITORS ARE SHOWN IN THE FORM OF CAPACITANCE(μF)/RATED VOLTAGE(V). F - FILM CAPACITOR.
  - OPEN STANDS FOR NOT MOUNTED PARTS.

# PANEL-A UNIT (LVA11039-13A)



1. SERIAL FLASH (IC604)

MODEL	AV66DDX3DDX4	DDX6DX7DX6W
REVISION	AV66DDX3DDX4	DDX6DX7DX6W
DATE	DDX6DX7DX6W	DDX6DX7DX6W

2. SCREEN BUFFER (IC601)

MODEL	AV66DDX3DDX4	DDX6DX7DX6W
REVISION	AV66DDX3DDX4	DDX6DX7DX6W
DATE	DDX6DX7DX6W	DDX6DX7DX6W

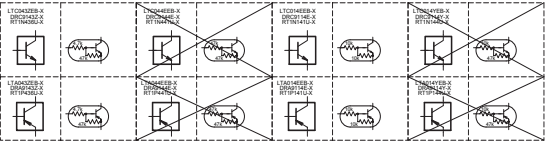
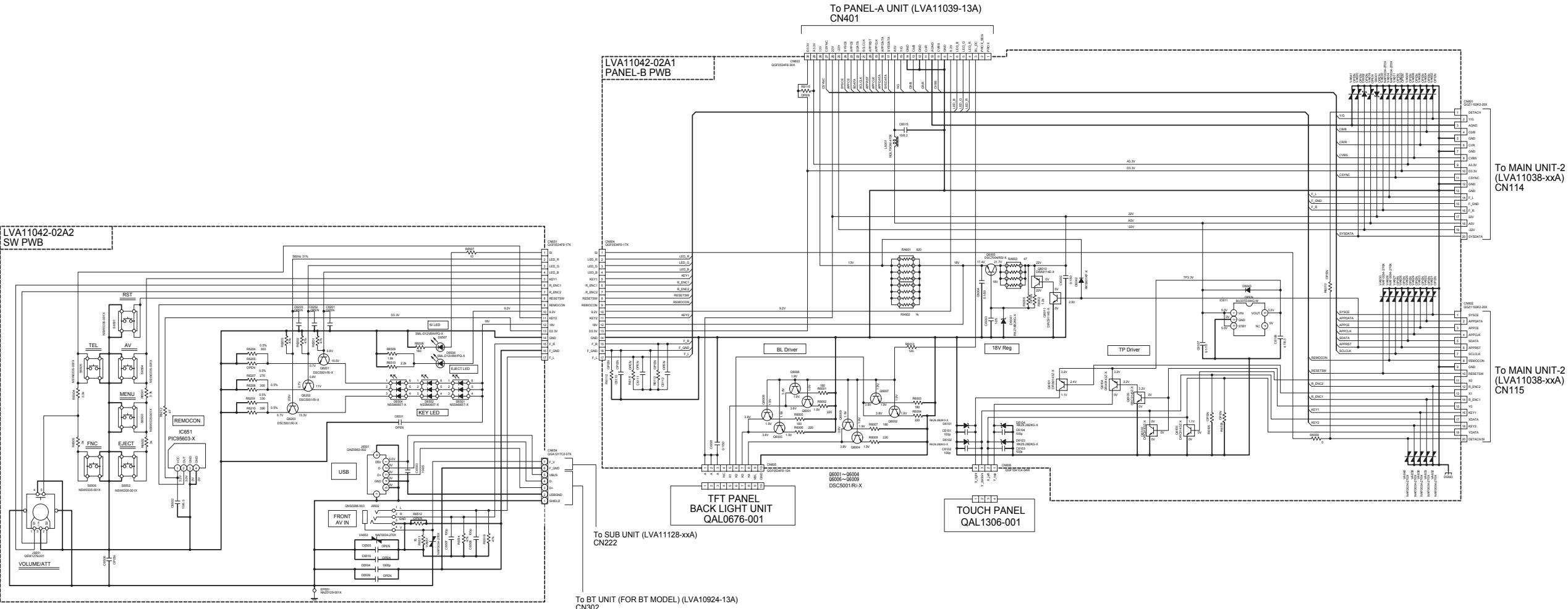
3. RGB BUFFER (IC602)

MODEL	AV66DDX3DDX4	DDX6DX7DX6W
REVISION	AV66DDX3DDX4	DDX6DX7DX6W
DATE	DDX6DX7DX6W	DDX6DX7DX6W

Notes:  
 1. This diagram is for reference only. Do not use it for repair or replacement.  
 2. All components are subject to change without notice.  
 3. All components are subject to change without notice.  
 4. All components are subject to change without notice.  
 5. All components are subject to change without notice.  
 6. All components are subject to change without notice.  
 7. All components are subject to change without notice.  
 8. All components are subject to change without notice.

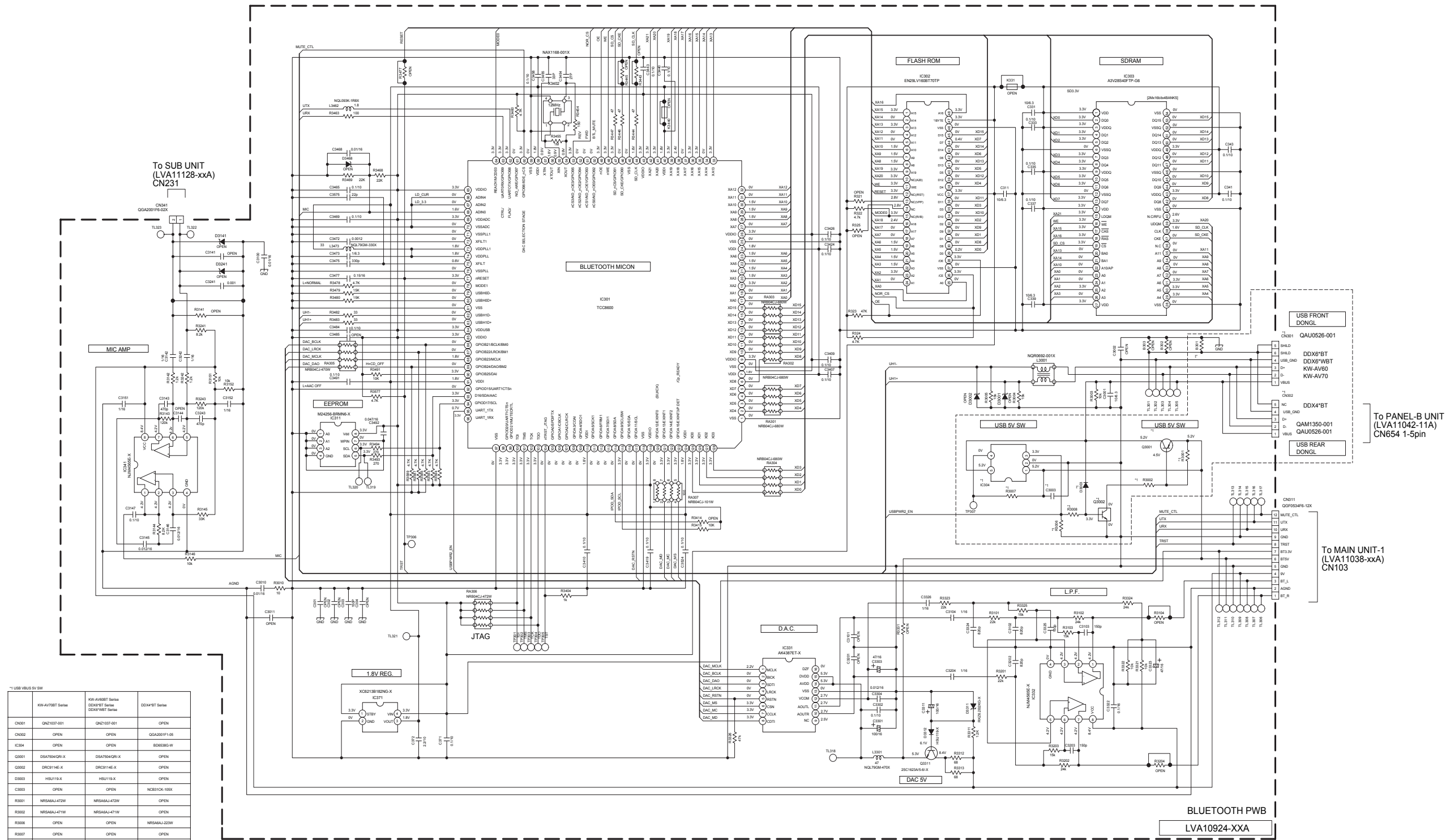
Parts are safety assurance parts.  
 When replacing those parts make sure to use the specified one.

# PANEL-B UNIT (LVA11042-11A)



NOTES:  
 1. VOLTAGES ARE DC MEASURED WITH A DIGITAL VOLT METER WITHOUT INPUT SIGNAL.  
 CONDITION: -20°C MODE.  
 2. UNLESS OTHERWISE SPECIFIED:  
 ALL RESISTORS ARE 1/16W 4% METAL GLAZE RESISTOR.  
 ALL CAPACITORS ARE 50V 20% HV CERAMIC CAPACITOR.  
 ALL RESISTANCE VALUES ARE IN OHMS.  
 ALL CAPACITANCE VALUES ARE IN PPF.  
 ALL CAPACITORS ARE SHOWN IN THE FORM OF CAPACITANCE/UMINATED VOLTAGE.  
 - = SMD COMPONENT.  
 3. OPEN STAVES FOR NOT MOUNTED PARTS.

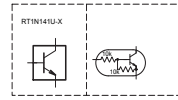
# BT UNIT (FOR BT MODEL) (LVA10924-13A)



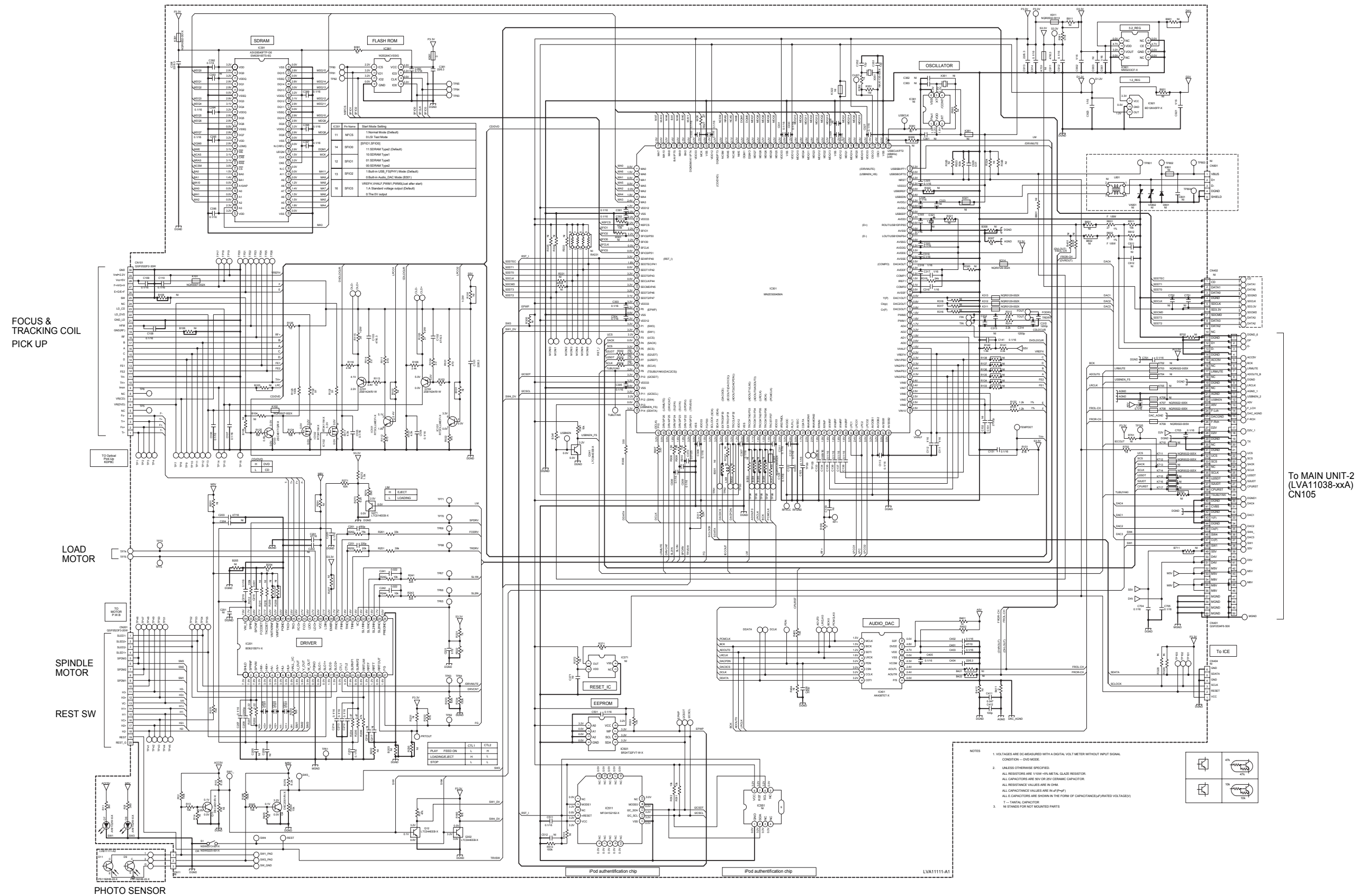
\*1 USB 5V SW SW

	KW-AV70BT Series	KW-AV60BT Series	DDX*BT Series
CN201	QAU0526-001	QAU0526-001	OPEN
CN202	OPEN	OPEN	QAU0526-001
IC304	OPEN	OPEN	B0M6390-0
IC301	DS4704QGR-X	DS4704QGR-X	OPEN
IC302	DR0314E-X	DR0314E-X	OPEN
IC303	HSU119-X	HSU119-X	OPEN
IC303	OPEN	OPEN	NCB310K-10X
IC301	NRS8AJ-472W	NRS8AJ-472W	OPEN
IC302	NRS8AJ-471W	NRS8AJ-471W	OPEN
IC303	OPEN	OPEN	NRS8AJ-222W
IC307	OPEN	OPEN	OPEN
IC308	NRS8AJ-102W	NRS8AJ-102W	OPEN
IC301	NRS8AJ-90W	NRS8AJ-90W	OPEN
IC303	NDCA1G-81W	OPEN	OPEN

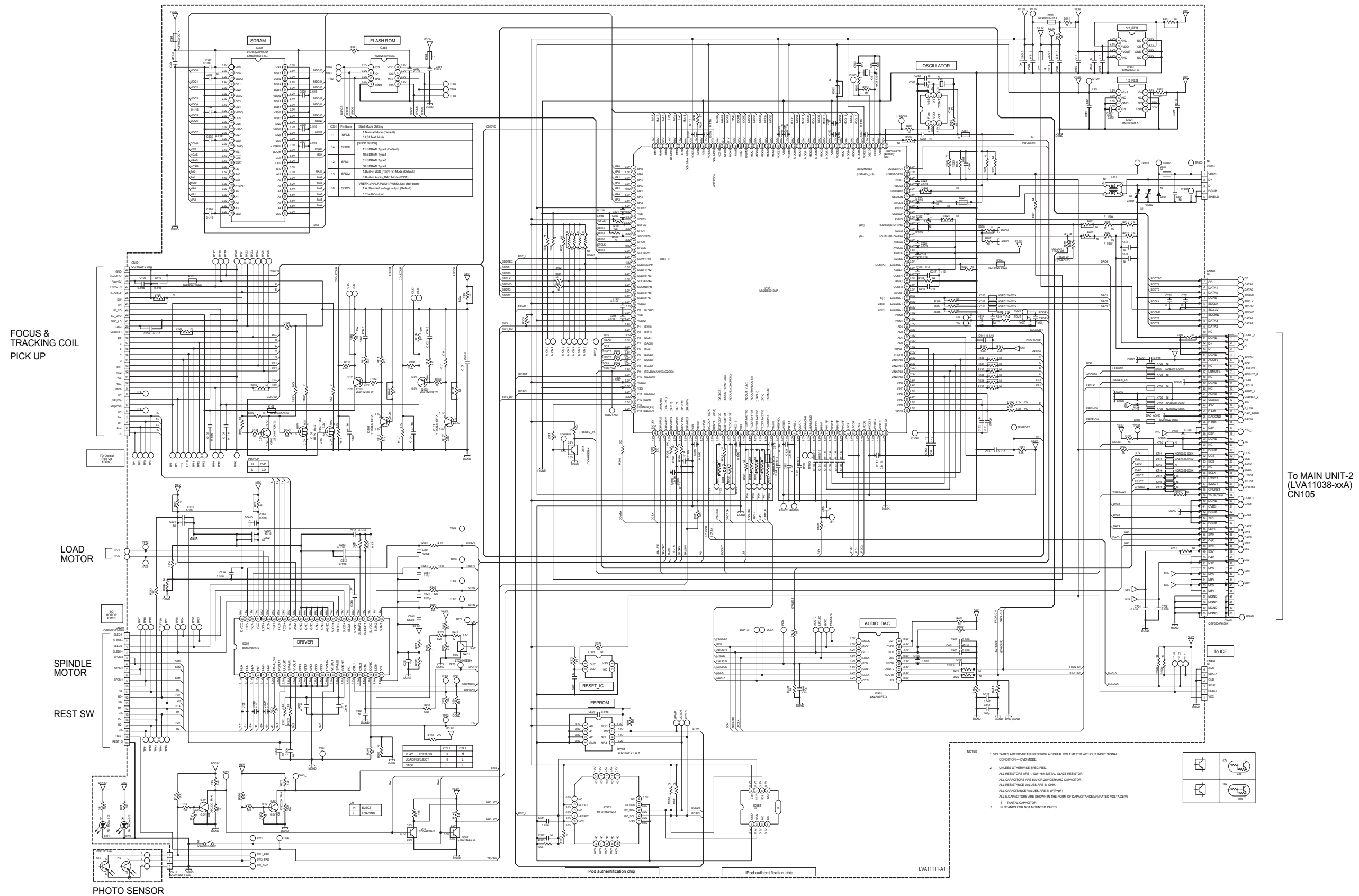
- NOTES
- VOLTAGES ARE DC-MEASURED WITH A DIGITAL VOLT METER WITHOUT INPUT SIGNAL. CONDITION-FM MODE.
  - UNLESS OTHERWISE SPECIFIED, ALL RESISTORS ARE 1/8W 5% METAL GLAZE RESISTOR. ALL CAPACITORS ARE CERAMIC CAPACITOR. ALL RESISTANCE VALUES ARE IN OHM. ALL CAPACITANCE VALUES ARE IN pF(pF).
  - ALL CAPACITORS ARE SHOWN IN THE FORM OF CAPACITANCE(FRATED VOLTAGEV).
  - IN OR OPEN STANDS FOR NOT MOUNTED PARTS.



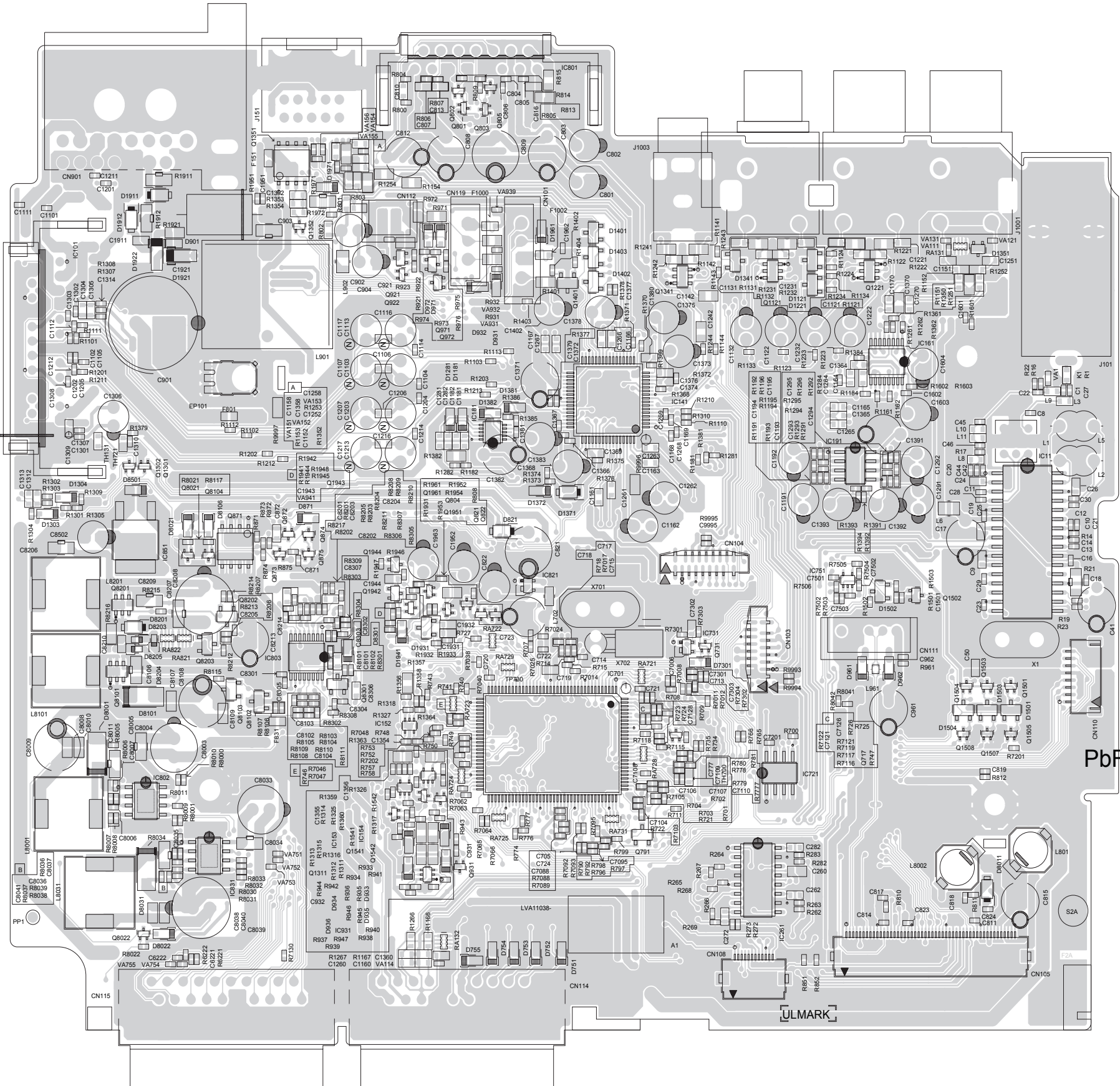
# DVD UNIT (LVA11111-03A) D40-2248-08/FMU-XS2-21D



# DVD UNIT (LVA11111-06A) D40-2245-08/FMU-XS2-41D

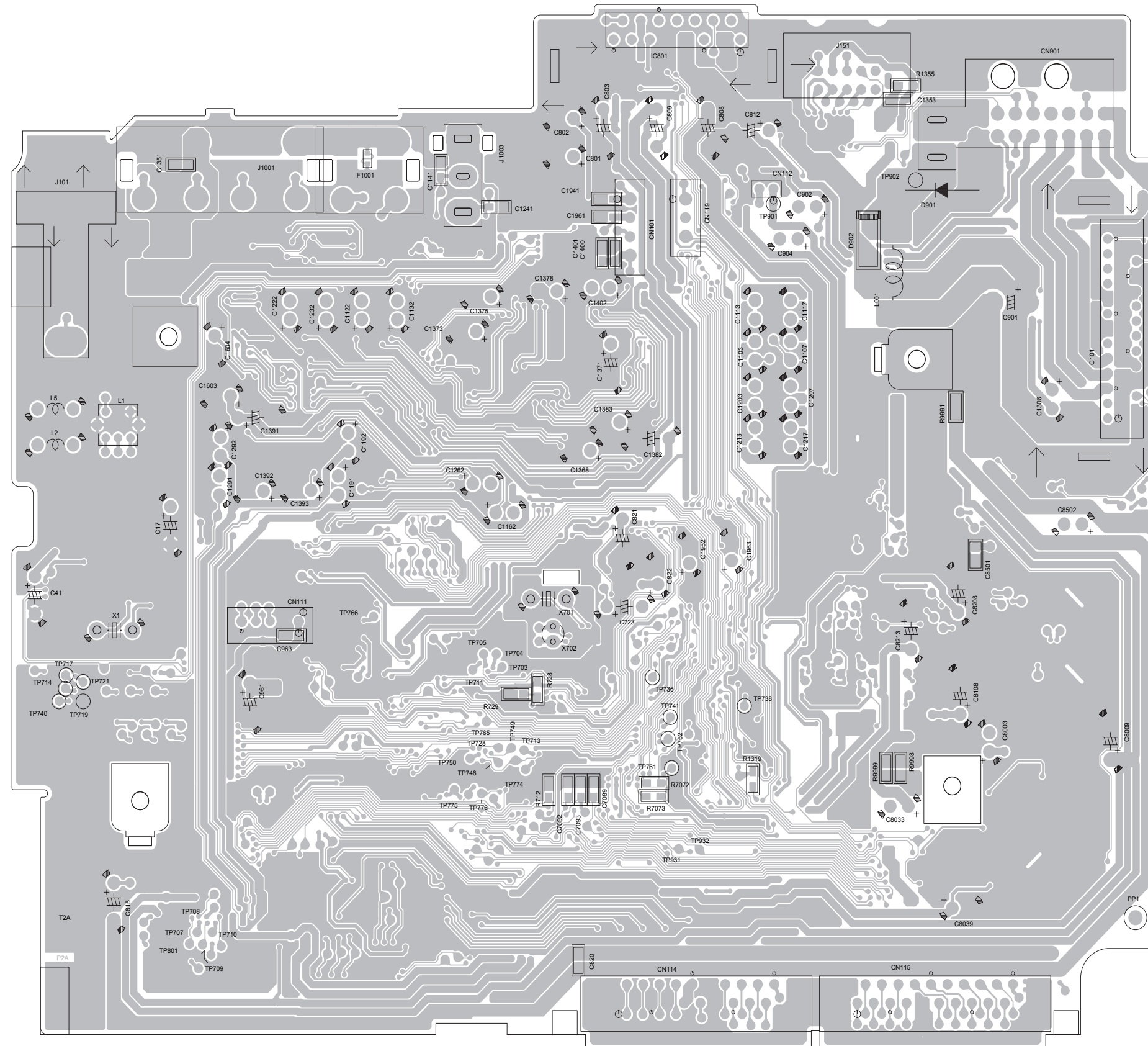


MAIN UNIT LVA11038-xxA (LVB11038-002A)

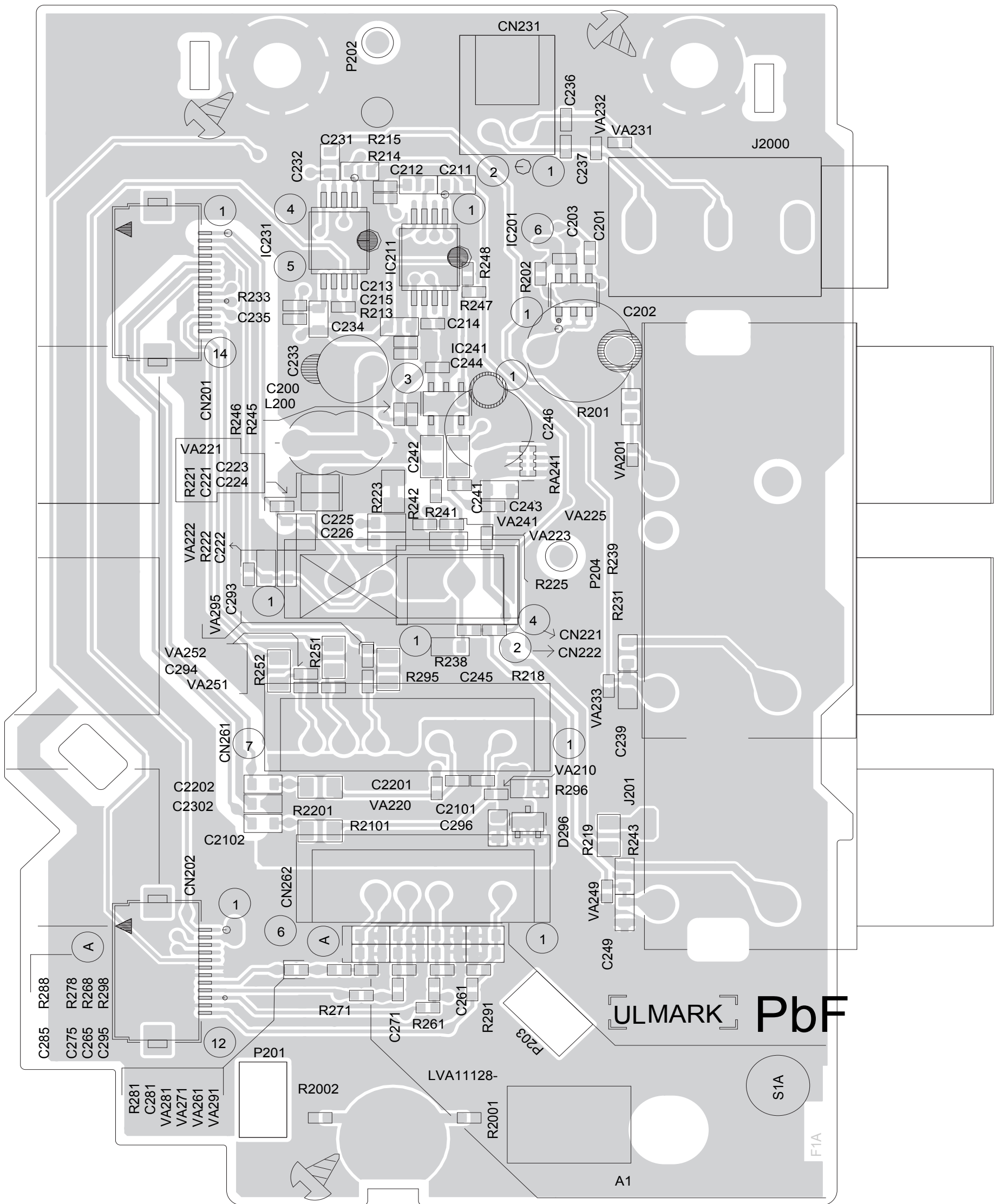




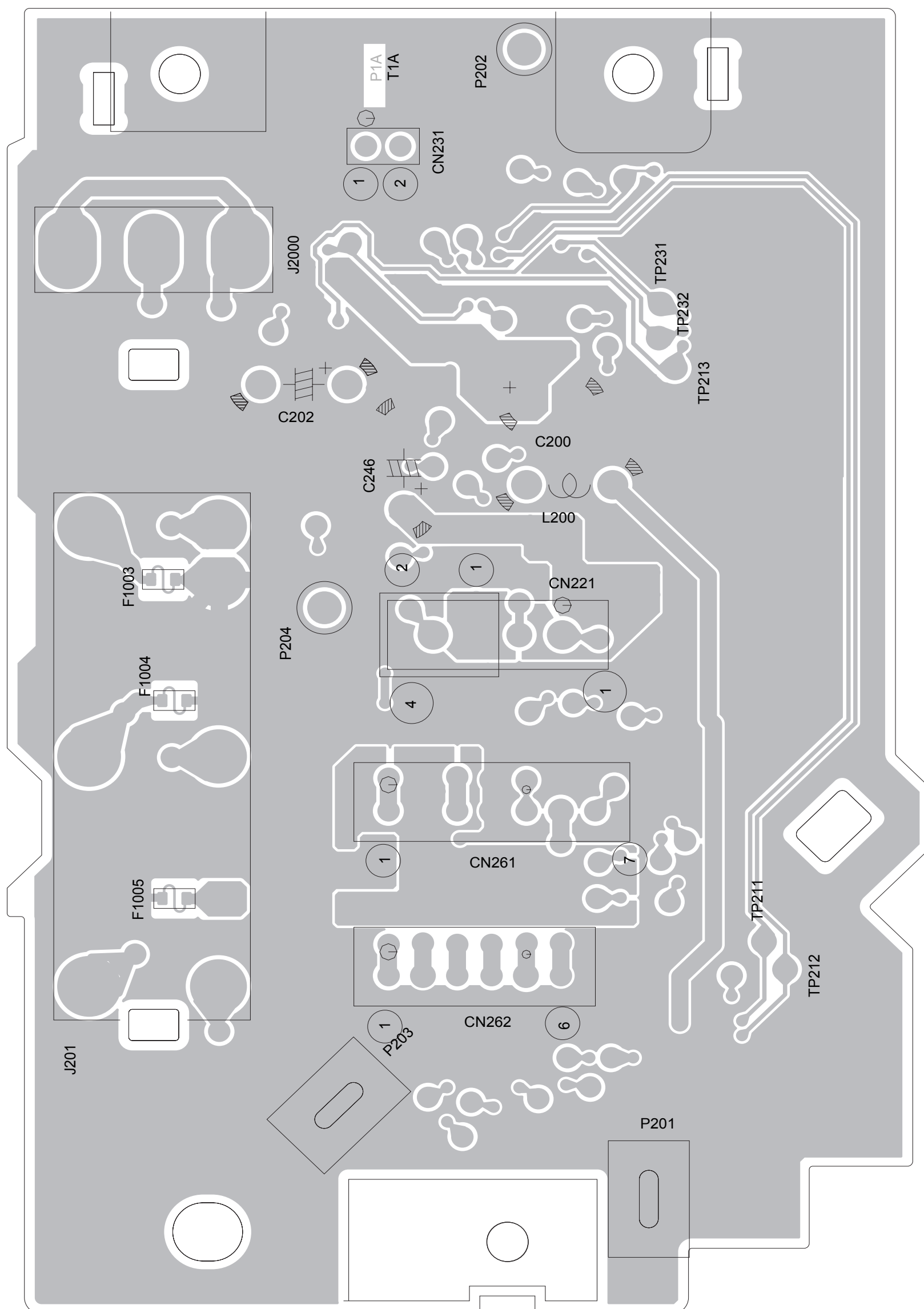
# MAIN UNIT LVA11038-xxA (LVB11038-002A)



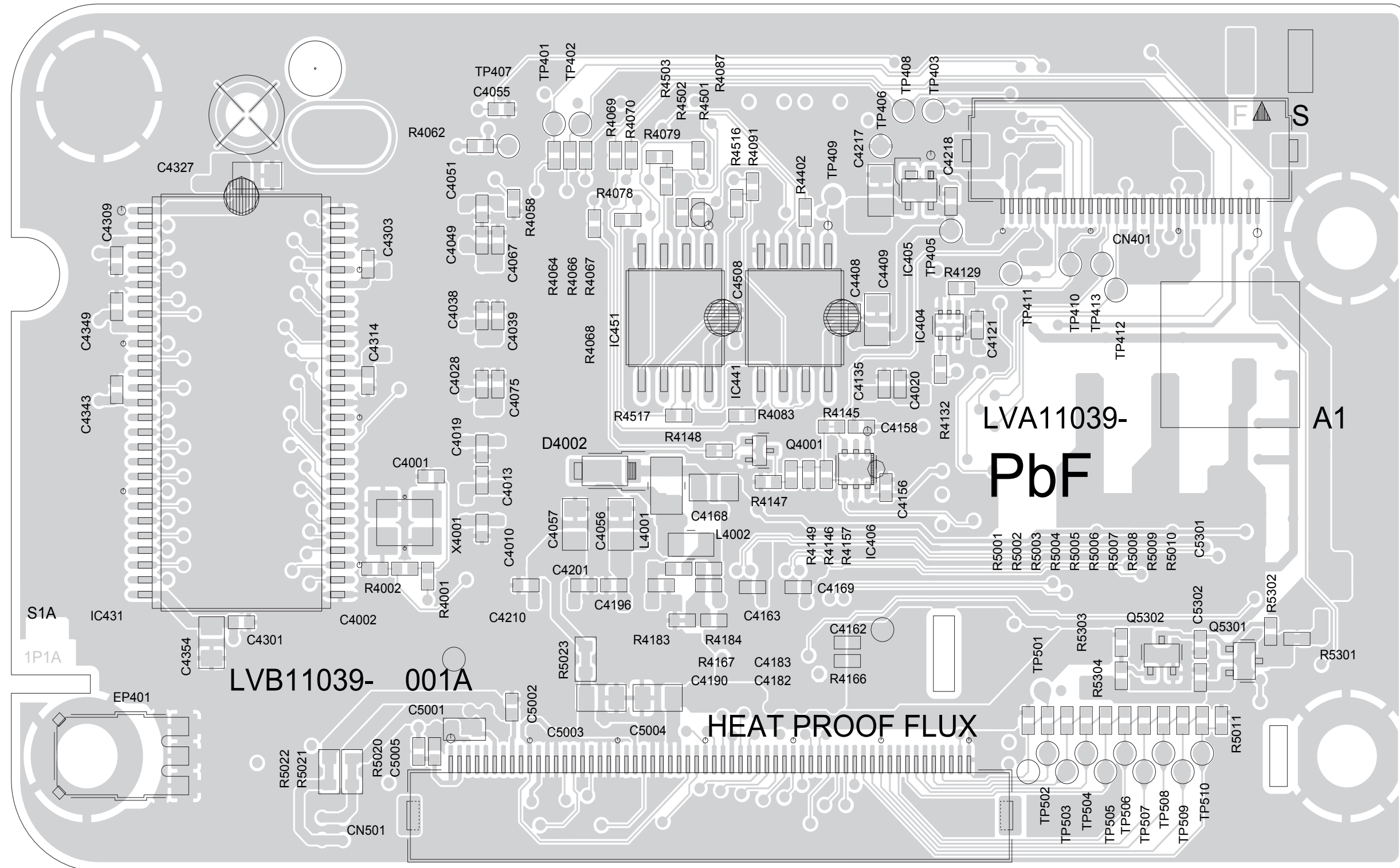
# SUB UNIT LVA11128-xxA (LVB11128-001A)



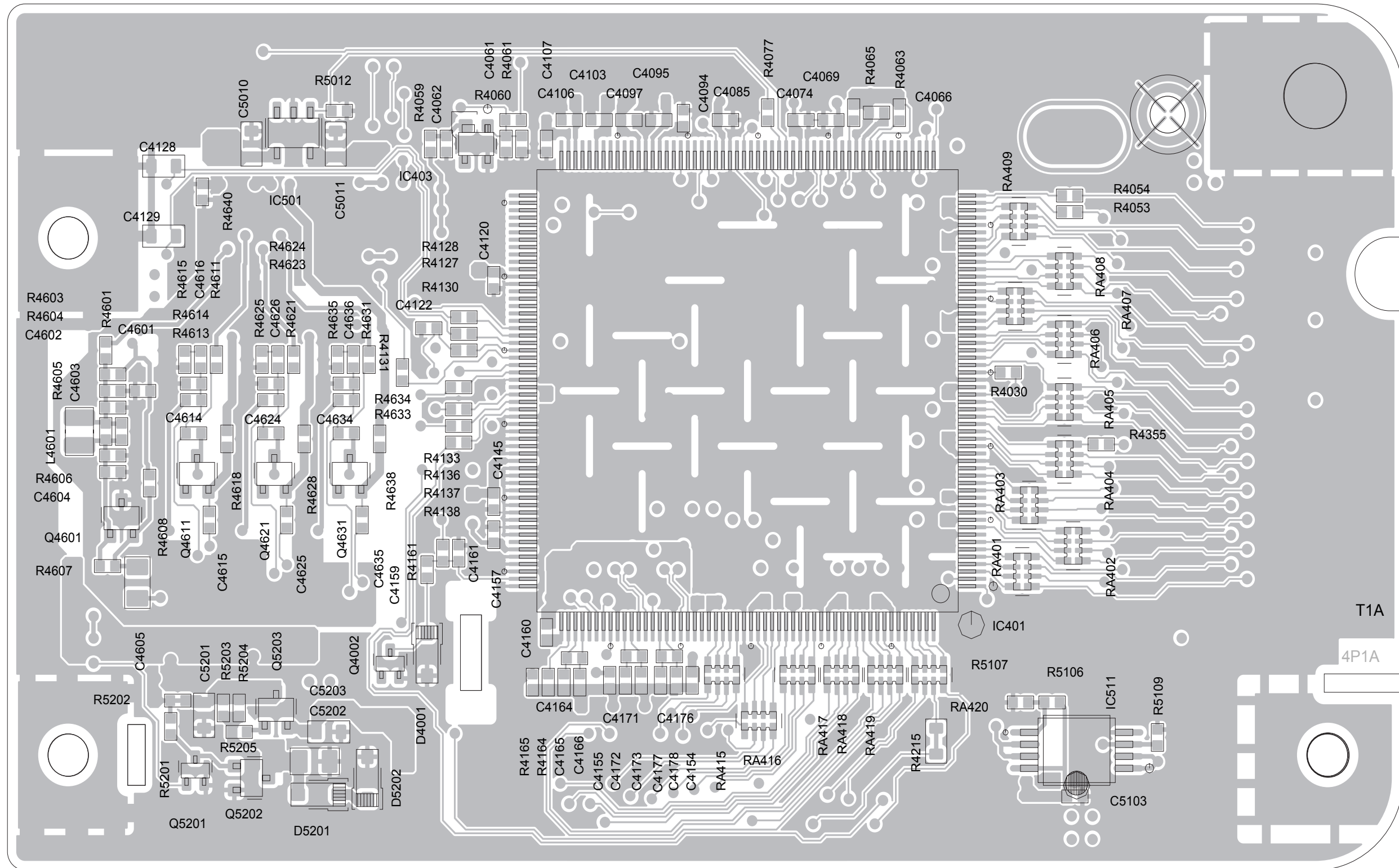
# SUB UNIT LVA11128-xxA (LVB11128-001A)



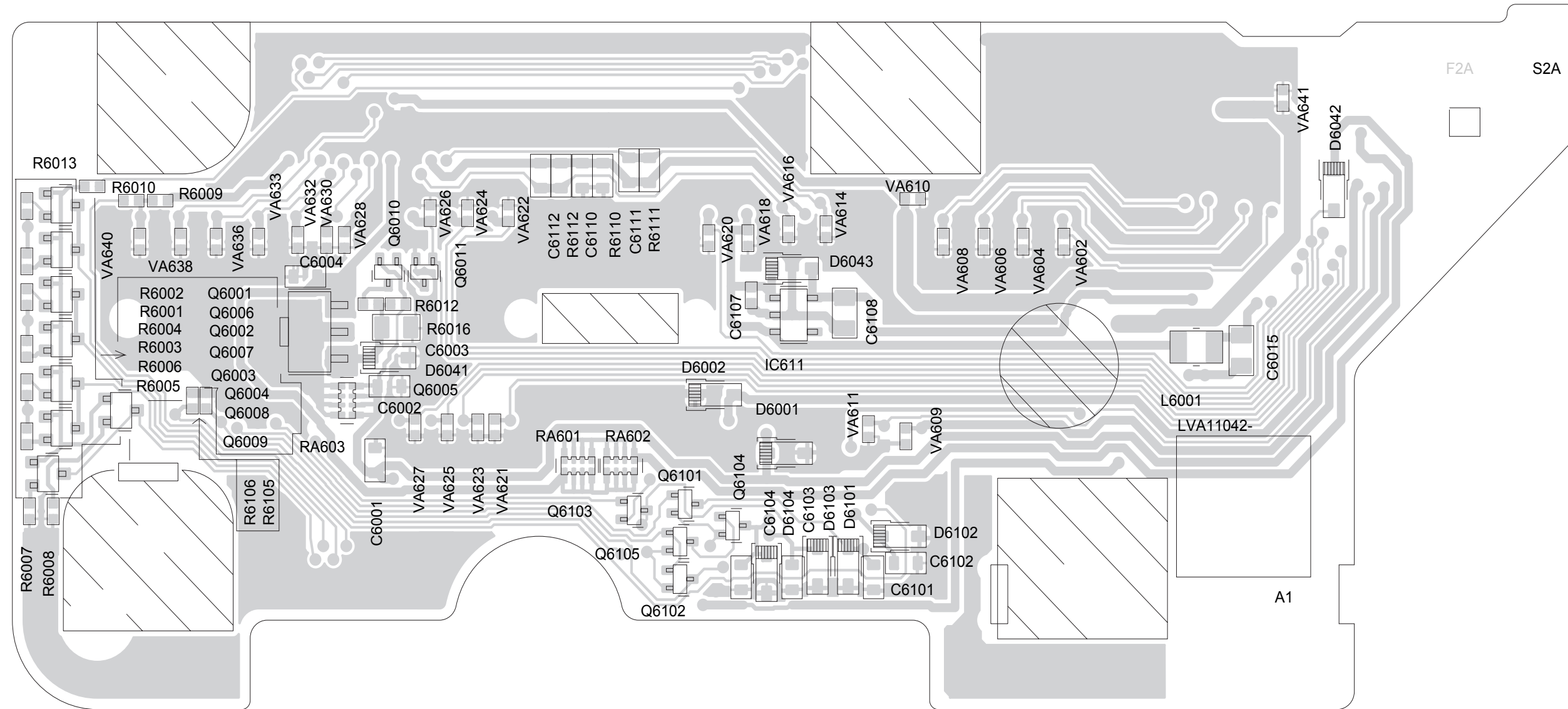
# PANEL-A UNIT LVA11039-13A (LVB11039-001A)



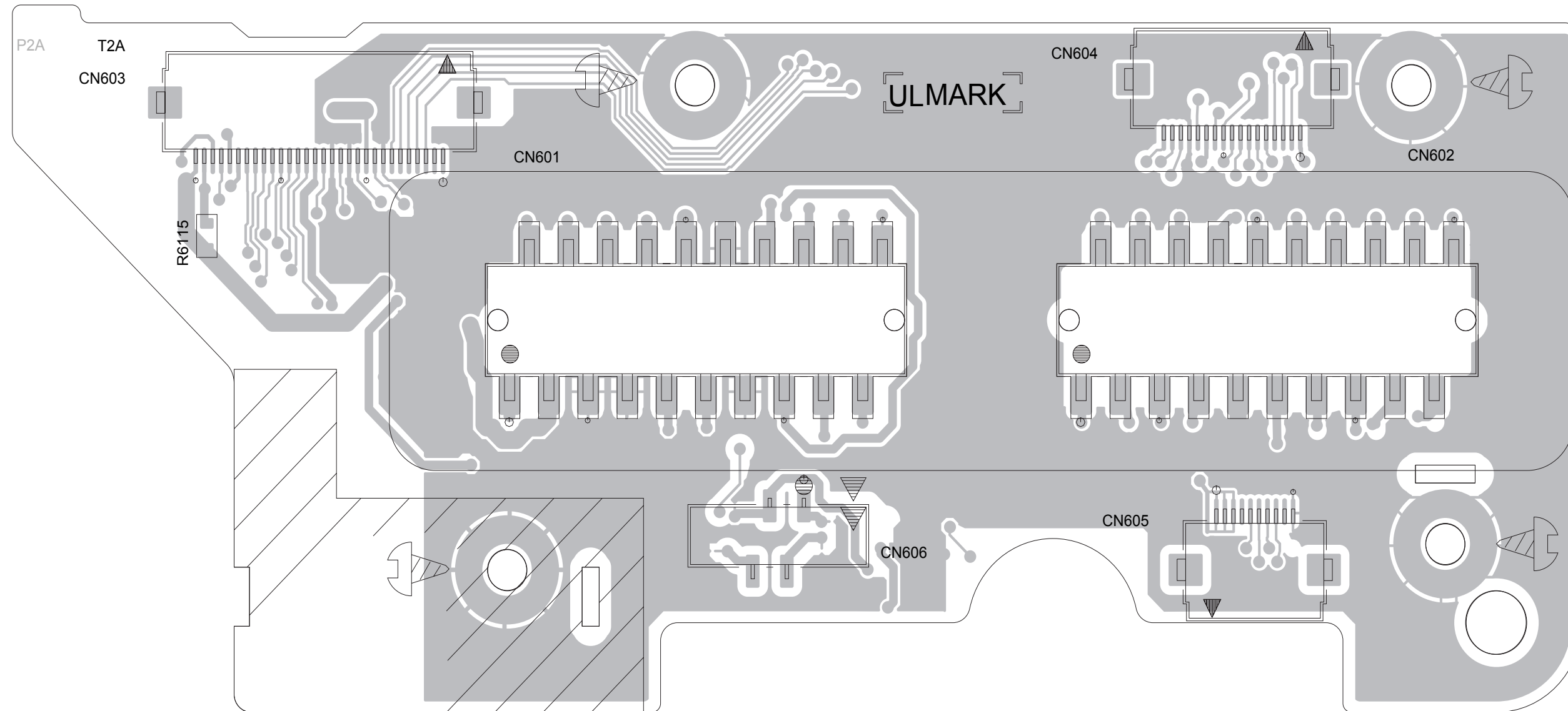
# PANEL-A UNIT LVA11039-13A (LVB11039-001A)



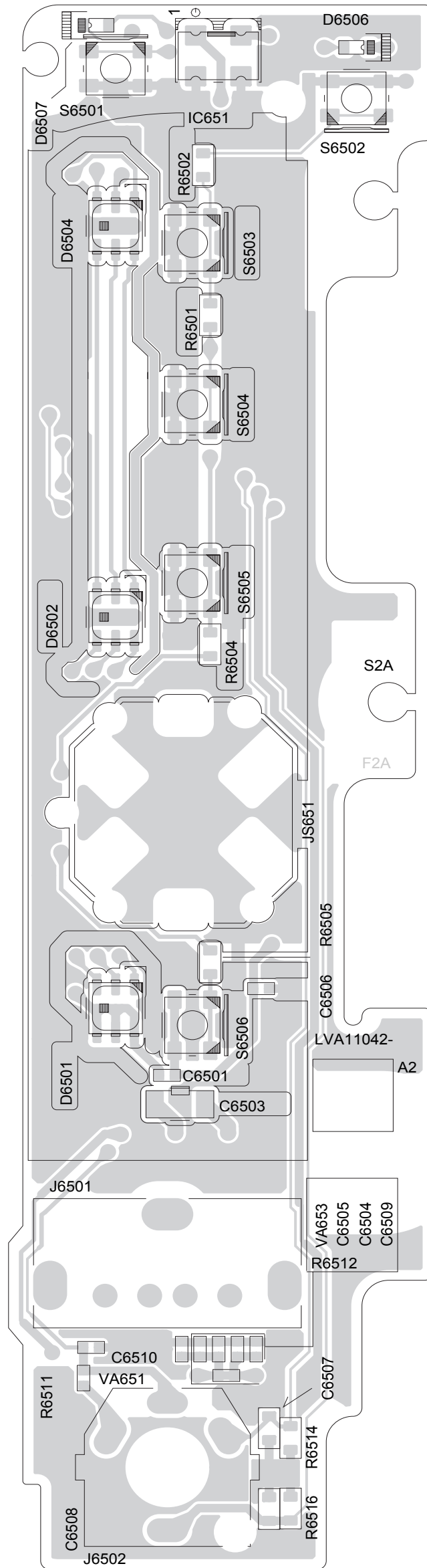
# PANEL-B UNIT-1 LVA11042-11A (LVB11042-002A)



# PANEL-B UNIT-1 LVA11042-11A (LVB11042-002A)

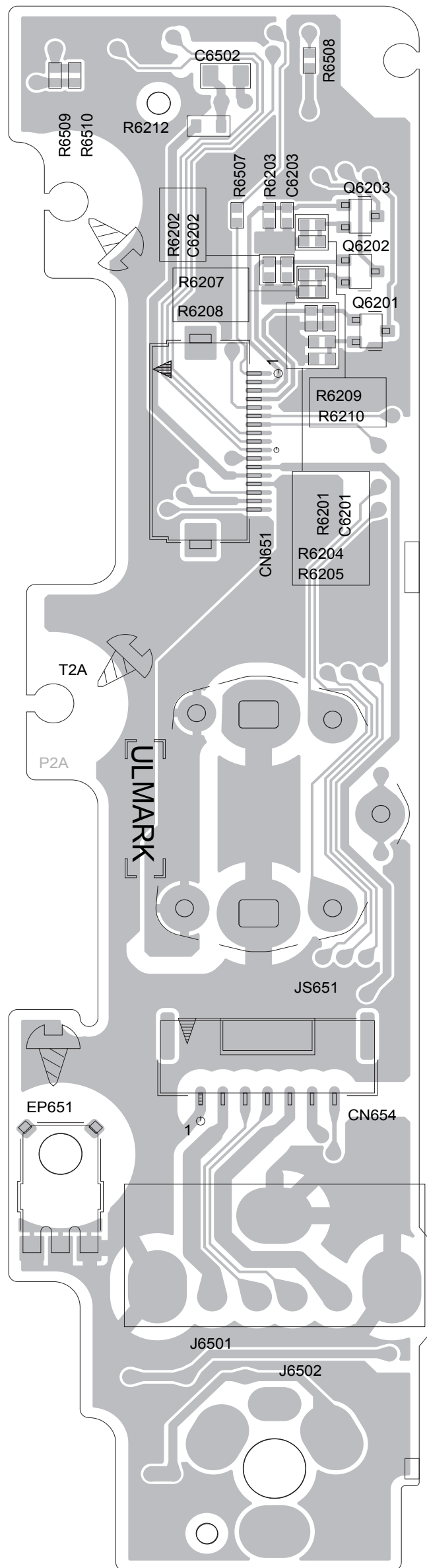


# PANEL-B UNIT-2 LVA11042-11A (LVB11042-002A)

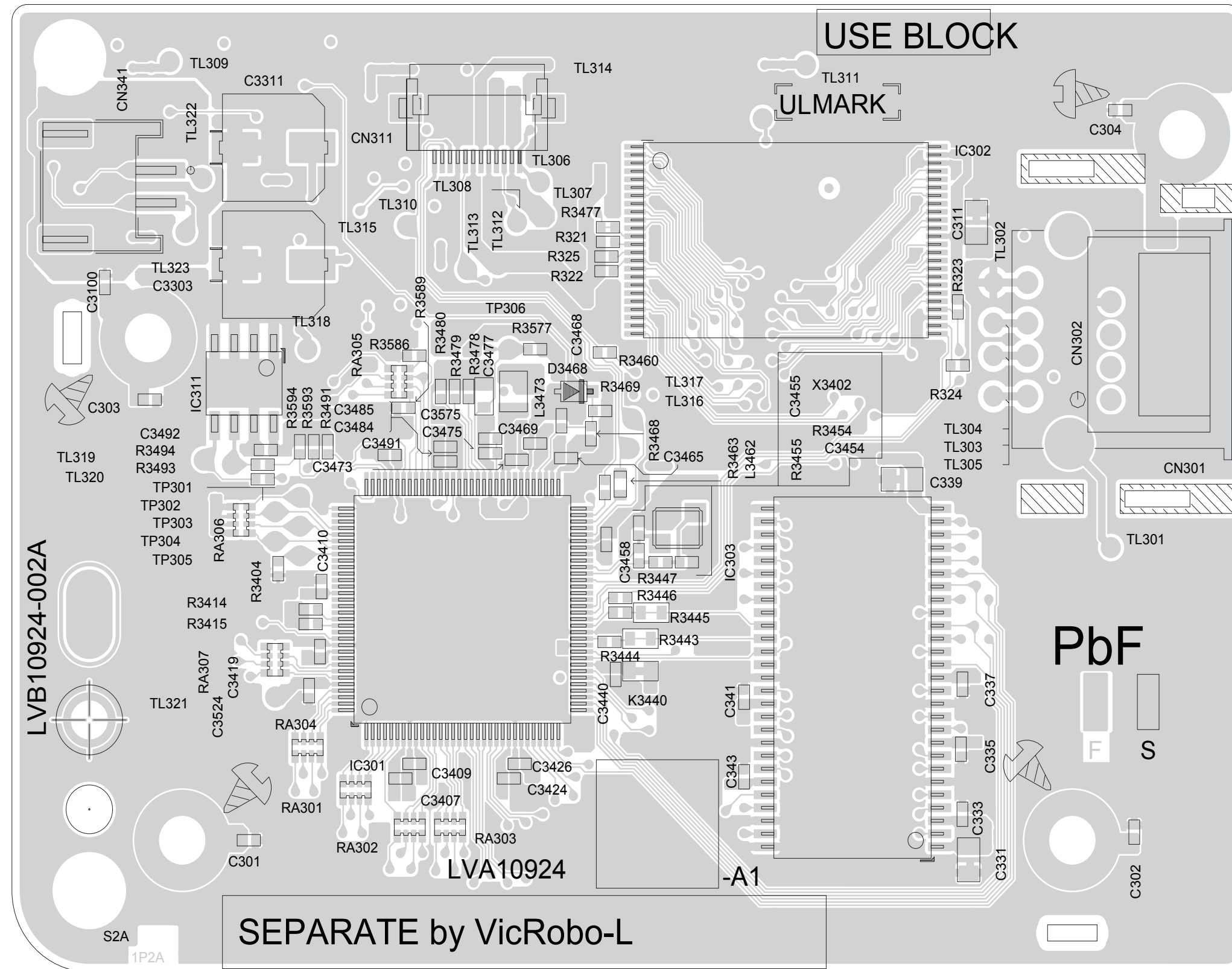




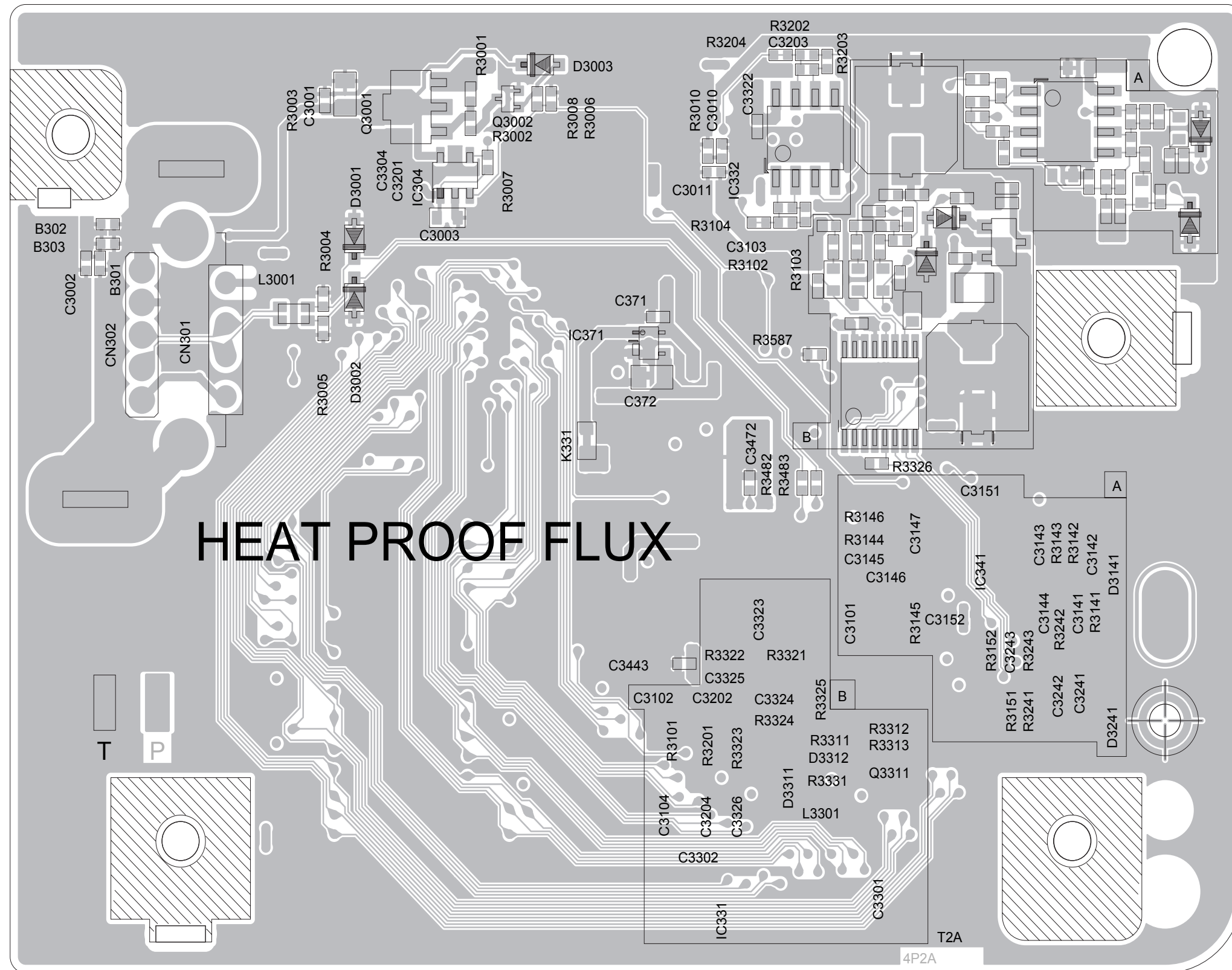
# PANEL-B UNIT-2 LVA11042-11A (LVB11042-002A)



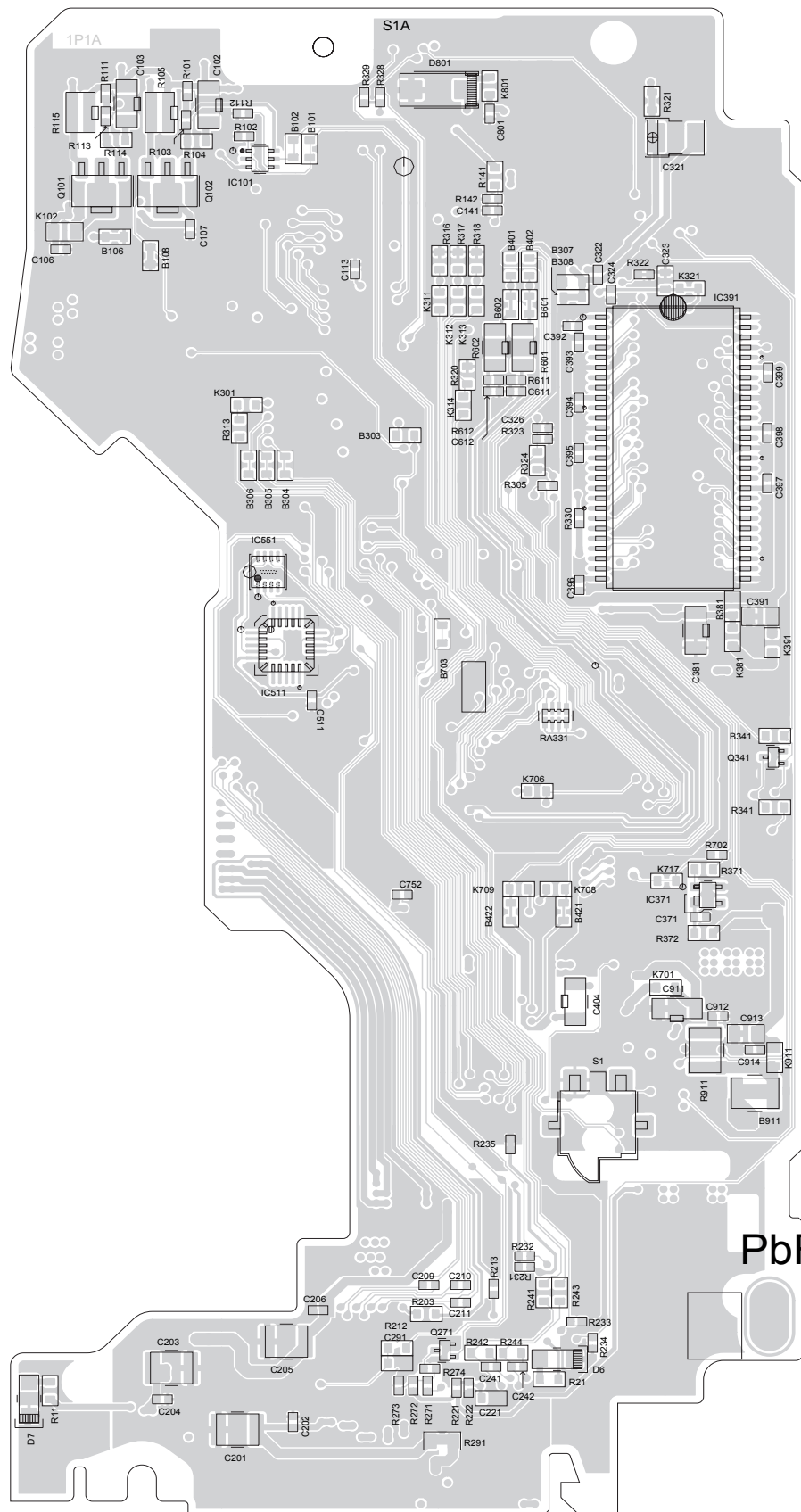
# BT UNIT (FOR BT MODEL) LVA10924-13A (LVB10924-002A)



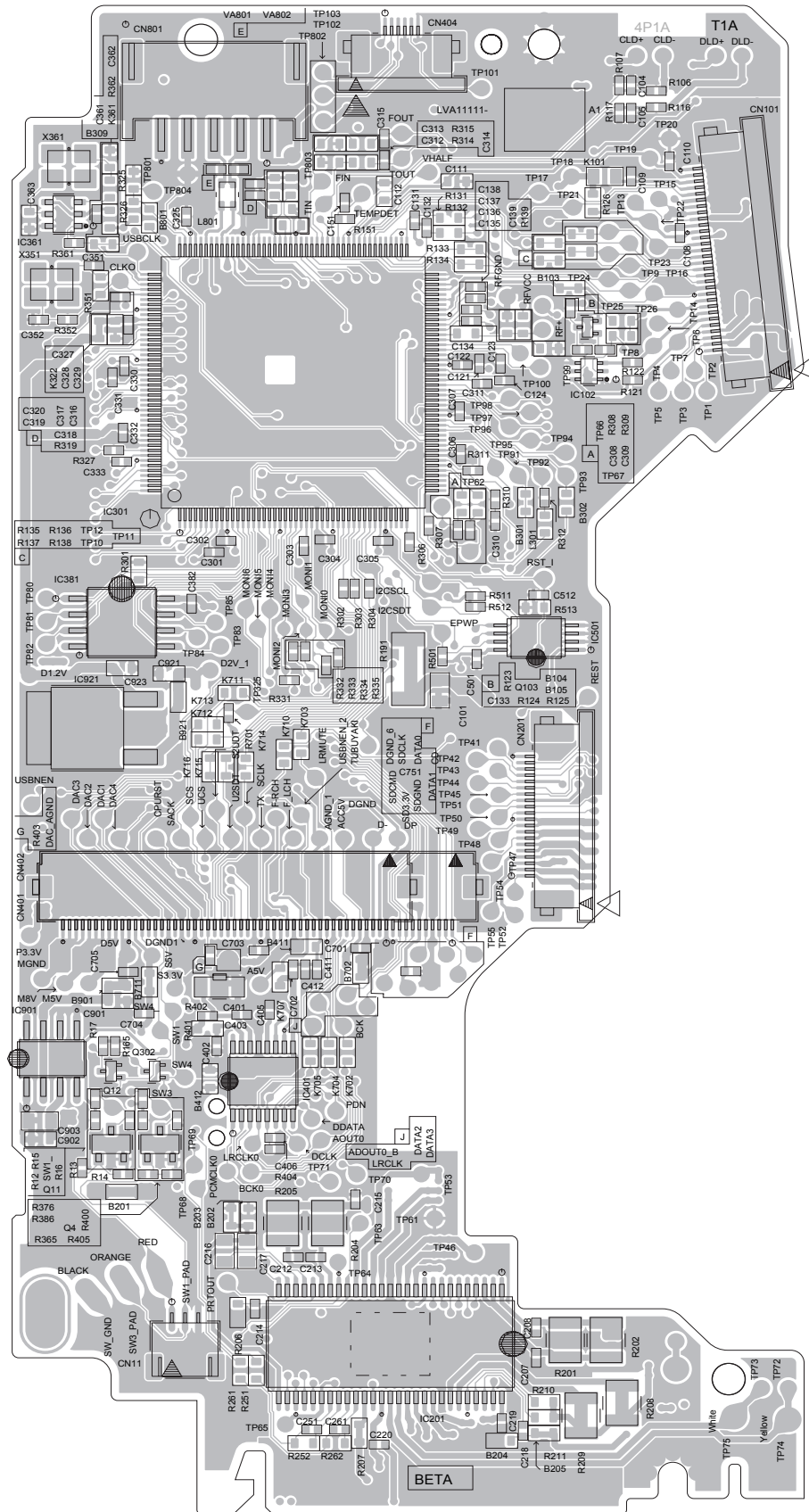
# BT UNIT (FOR BT MODEL) LVA10924-13A (LVB10924-002A)



# DVD UNIT-1 LVA11111-03A (LVB11111-001D) D40-2248-08/FMU-XS2-21D



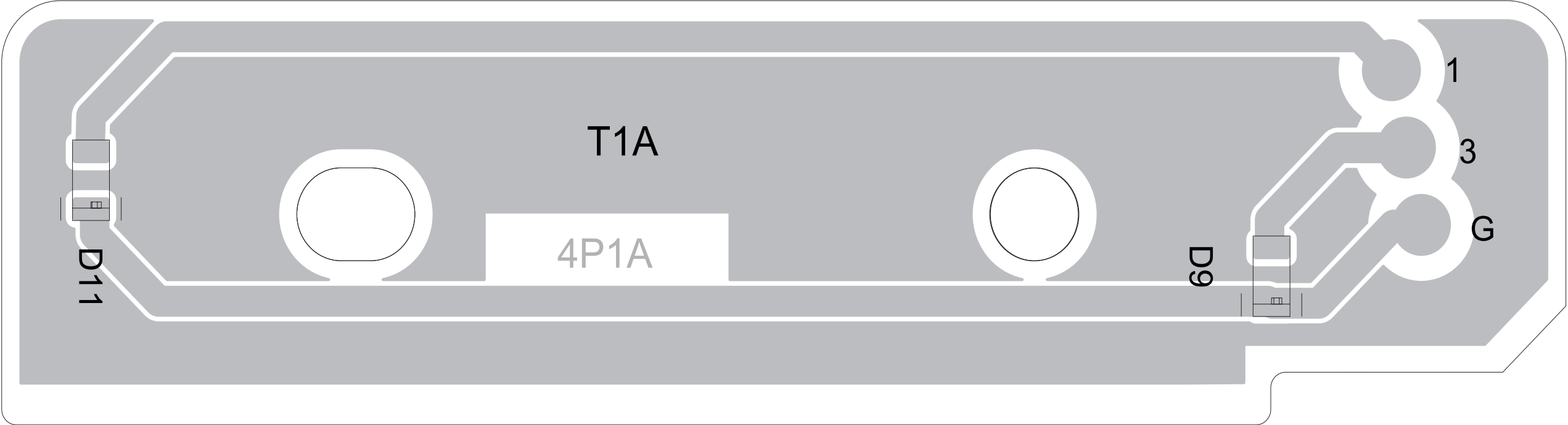
# DVD UNIT-1 LVA11111-03A (LVB11111-001D) D40-2248-08/FMU-XS2-21D



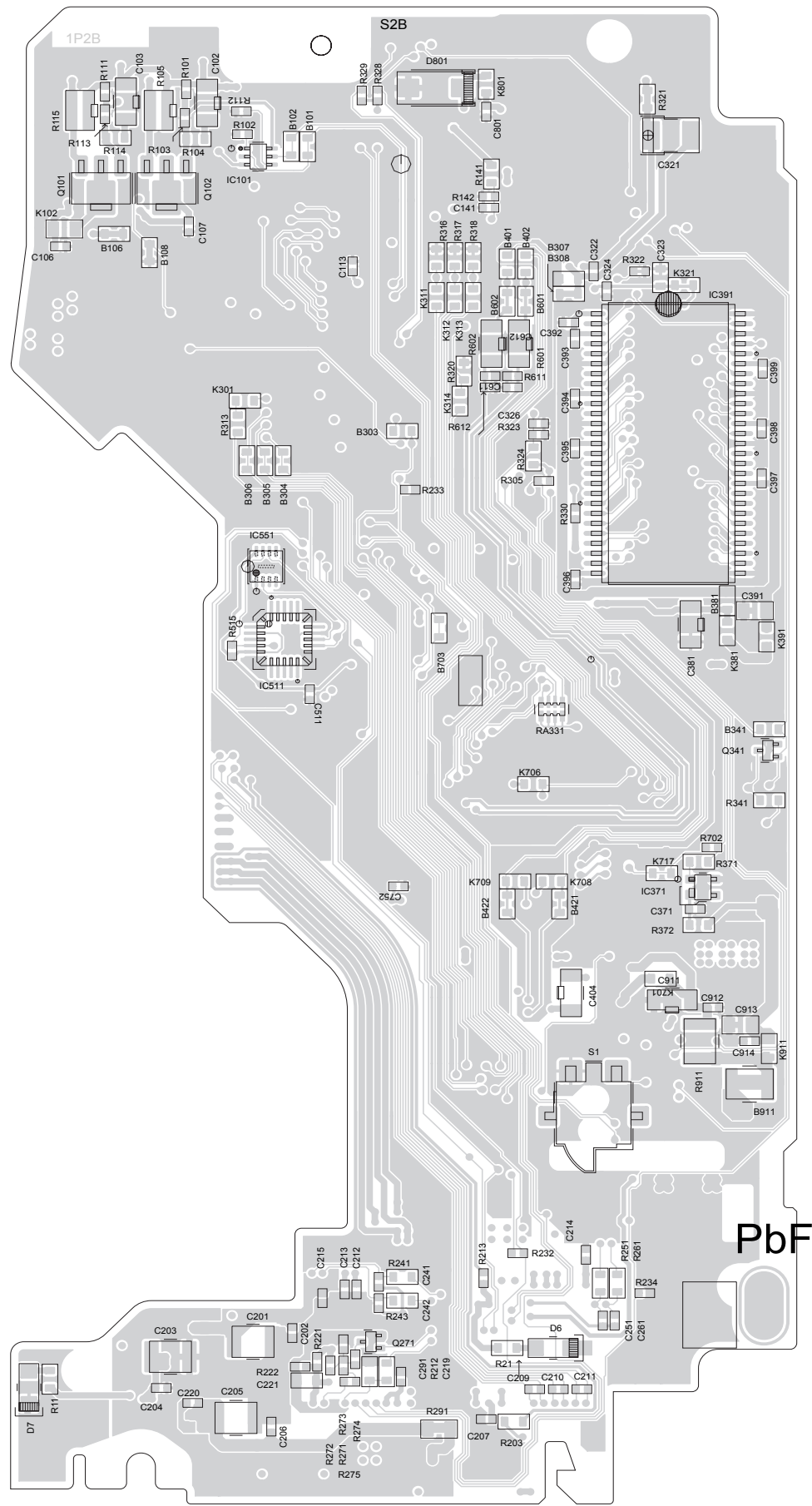
DVD UNIT-2 LVA11111-03A (LVB11111-001D) D40-2248-08/FMU-XS2-21D



DVD UNIT-2 LVA11111-03A (LVB11111-001D) D40-2248-08/FMU-XS2-21D

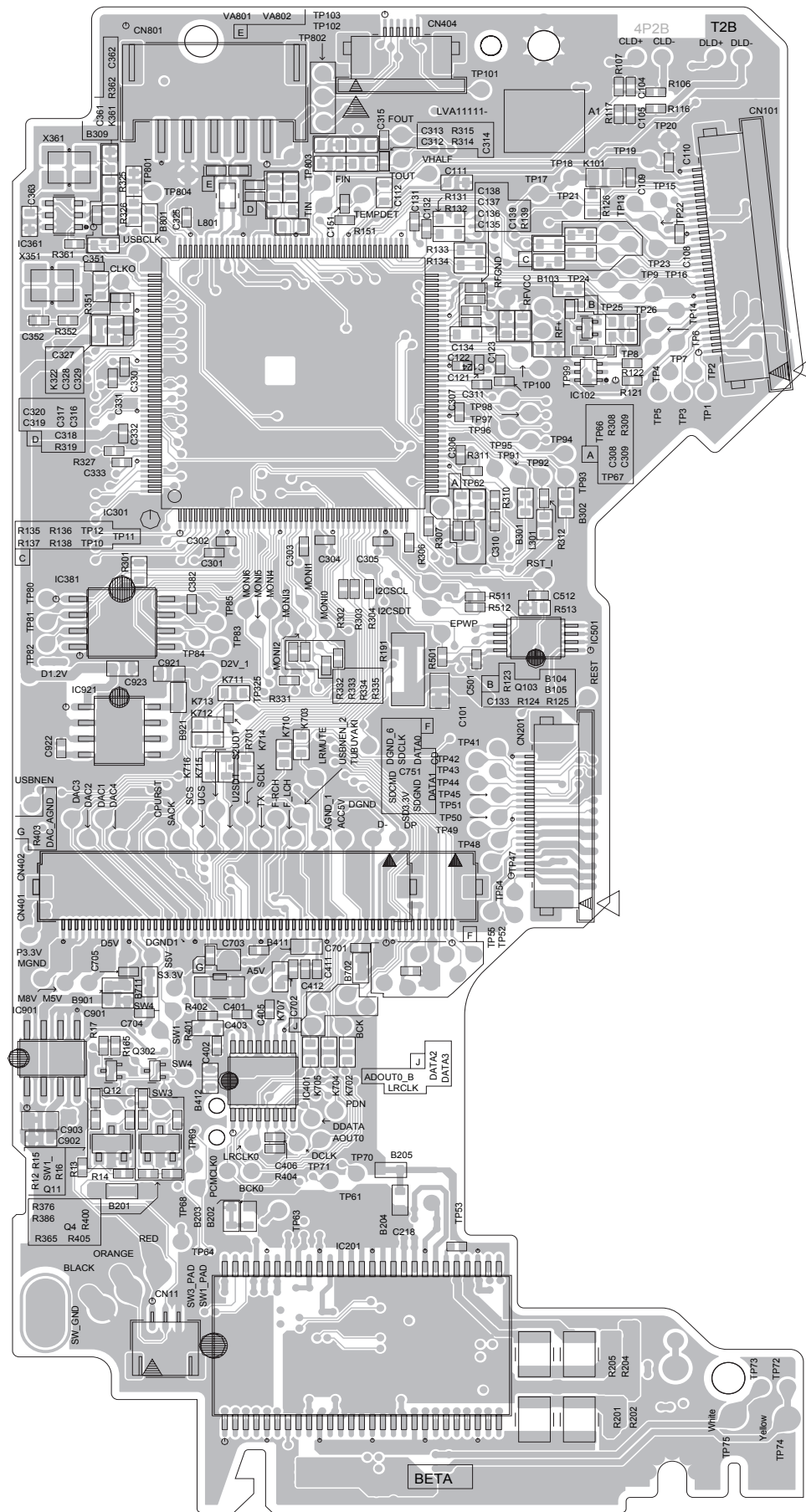


# DVD UNIT-1 LVA11111-06A (LVB11111-002B) D40-2245-08/FMU-XS2-41D





# DVD UNIT-1 LVA11111-06A (LVB11111-002B) D40-2245-08/FMU-XS2-41D



DVD UNIT-2 LVA11111-06A (LVB11111-002B) D40-2245-08/FMU-XS2-41D



DVD UNIT-2 LVA11111-06A (LVB11111-002B) D40-2245-08/FMU-XS2-41D

