

Service News

Audio

YAMAHA CORPORATION

P.O. BOX1, HAMAMATSU, JAPAN

BULLETIN NO. **E-1153** 1/2

RX-V661/RX-V861
HTR-6060/HTR-6080
DSP-AX761/DSP-AX861SE

DATE September 2007

RELATED

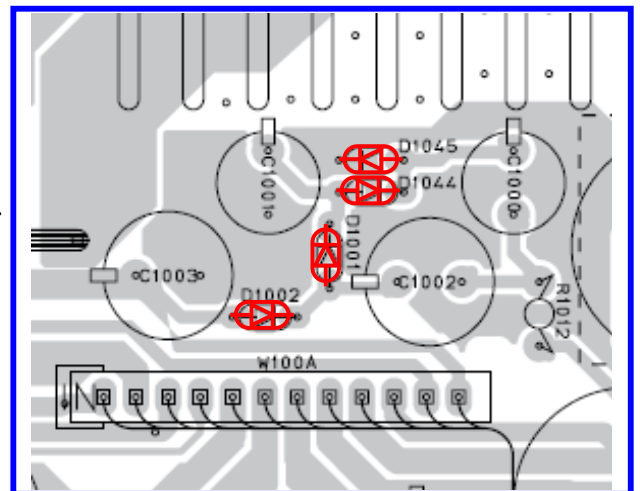
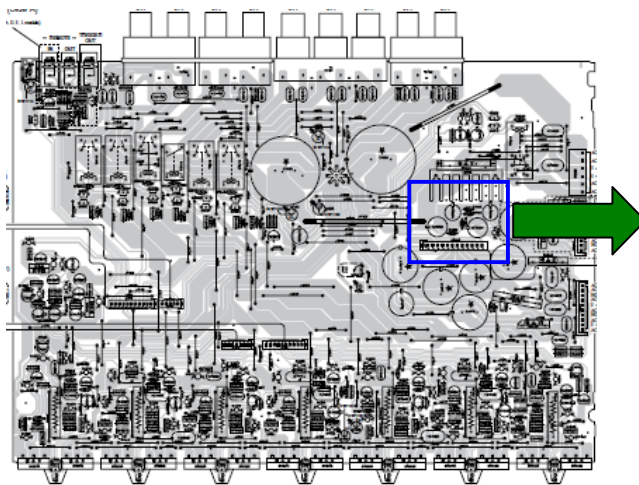
BULLETIN NO.

Diode Replacement

PURPOSE: If “NO POWER” symptom is due to shorted diode and puffed up capacitor in the Main(1)[RX-V661/HTR-6060/DSP-AX761] / Function(2) P.C.B.[RX-V861/HTR-6080/DSP-AX861SE], even if 1 or 2 diodes are shorted, replace all 4 diodes with heavier duty diodes as described below. Capacitors should be replaced with the same/original types.

LOCATION:

RX-V661/HTR-6060/DSP-AX761 Main P.C.B. (1)



Previous Parts

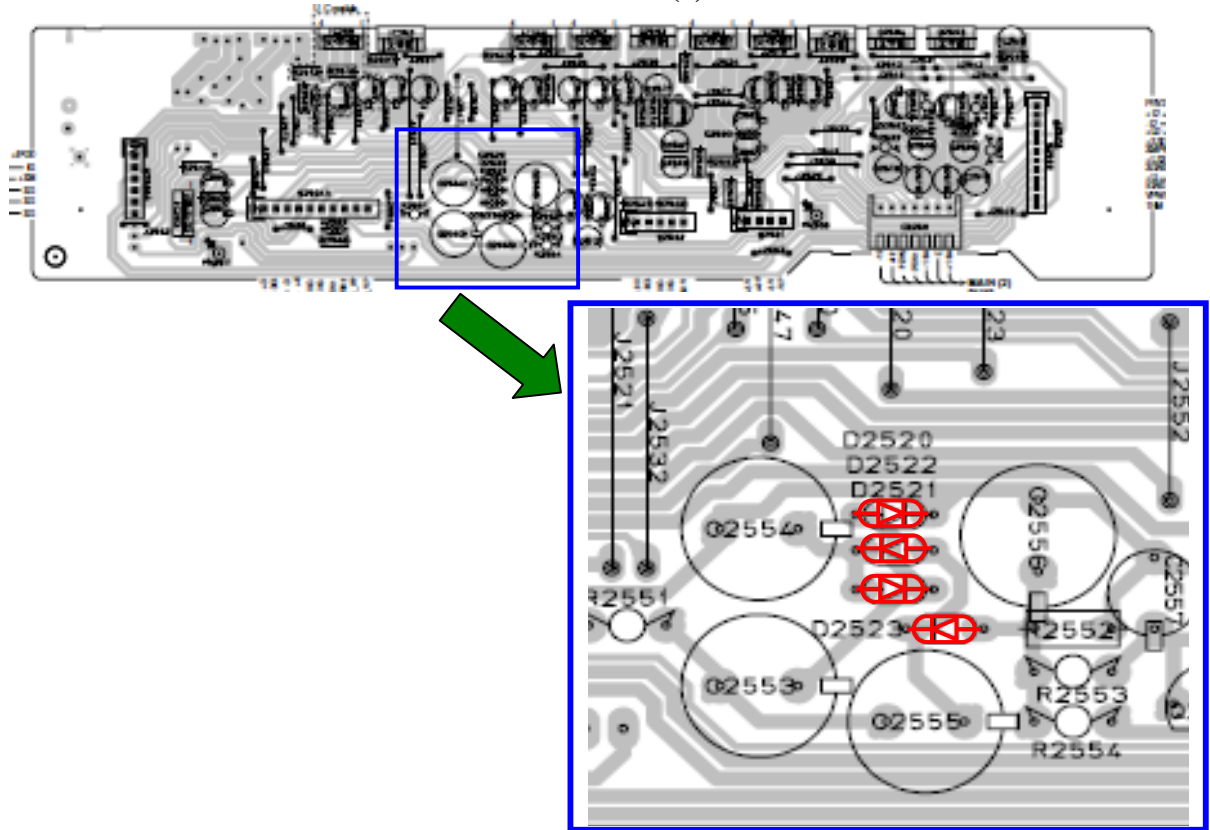
Ref. No.	Parts No.	Description
D1001, D1002, D1044, D1045	VN008700	DIODE 1SS270A



New Parts

Ref. No.	Parts No.	Description
D1001, D1002, D1044, D1045	VV307700	DIODE 1N4002S

RX-V861/HTR-6080/DSP-AX861SE Function P.C.B. (2)



Previous Parts

Ref. No.	Parts No.	Description
D2520, D2521, D2522, D2523	VN008700	DIODE 1SS270A



New Parts

Ref. No.	Parts No.	Description
D2520, D2521, D2522, D2523	VV307700	DIODE 1N4002S

APPLICABILITY:

- RX-V661: below Y981937WY
- RX-V861: below Y334297WY
- HTR-6060: below Y087167WY
- HTR-6080: below Y061017WY
- DSP-AX761: below Y038517WY
- DSP-AX861SE: below Y022017WY