

AV RECEIVER/AV AMPLIFIER RX-V861/HTR-6080/DSP-AX861SE/ DSP-AX861 SERVICE MANUAL

RX-V861/HTR-6080/DSP-AX861SE/
DSP-AX861

IMPORTANT NOTICE

This manual has been provided for the use of authorized YAMAHA Retailers and their service personnel.

It has been assumed that basic service procedures inherent to the industry, and more specifically YAMAHA Products, are already known and understood by the users, and have therefore not been restated.

WARNING: Failure to follow appropriate service and safety procedures when servicing this product may result in personal injury, destruction of expensive components, and failure of the product to perform as specified. For these reasons, we advise all YAMAHA product owners that any service required should be performed by an authorized YAMAHA Retailer or the appointed service representative.

IMPORTANT: The presentation or sale of this manual to any individual or firm does not constitute authorization, certification or recognition of any applicable technical capabilities, or establish a principle-agent relationship of any form.

The data provided is believed to be accurate and applicable to the unit(s) indicated on the cover. The research, engineering, and service departments of YAMAHA are continually striving to improve YAMAHA products. Modifications are, therefore, inevitable and specifications are subject to change without notice or obligation to retrofit. Should any discrepancy appear to exist, please contact the distributor's Service Division.

WARNING: Static discharges can destroy expensive components. Discharge any static electricity your body may have accumulated by grounding yourself to the ground buss in the unit (heavy gauge black wires connect to this buss).

IMPORTANT: Turn the unit OFF during disassembly and part replacement. Recheck all work before you apply power to the unit.

CONTENTS

TO SERVICE PERSONNEL	2	DISPLAY DATA	57
FRONT PANELS	3-4	IC DATA	58-71
REAR PANELS	5-8	PIN CONNECTION DIAGRAMS	72-75
REMOTE CONTROL PANELS	9	BLOCK DIAGRAMS	76-79
SPECIFICATIONS / 参考仕様	10-12	PRINTED CIRCUIT BOARDS	80-95
INTERNAL VIEW	13	SCHEMATIC DIAGRAMS	97-107
DISASSEMBLY PROCEDURES / 分解手順	14-19	REPLACEMENT PARTS LIST	109-135
UPDATING FIRMWARE / ファームウェアの書き込み	20-27	REMOTE CONTROL	136-139
SELF DIAGNOSIS FUNCTION (DIAG) / 自己診断機能 (ダイアグ)	28-55	ADVANCED SETUP / 本機の設定を変更する	140-142
CONFIRMATION OF IDLING CURRENT OF AMP UNIT / アンプユニットのアイドリング電流の確認	56	SCENE CONTROL	143



このサービスマニュアルは、エコマーク認定の再生紙を使用しています。
This Service Manual uses recycled paper.

101043

© 2007 YAMAHA CORPORATION All rights reserved.
This manual is copyrighted by YAMAHA and may not be copied or
redistributed either in print or electronically without permission.



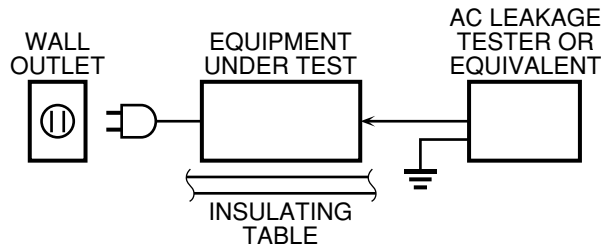
YAMAHA

YAMAHA CORPORATION
P.O.Box 1, Hamamatsu, Japan

'07.04

■ TO SERVICE PERSONNEL

1. Critical Components Information
Components having special characteristics are marked ⚠ and must be replaced with parts having specifications equal to those originally installed.
 2. Leakage Current Measurement (For 120V Models Only)
When service has been completed, it is imperative to verify that all exposed conductive surfaces are properly insulated from supply circuits.
- Meter impedance should be equivalent to 1500 ohms shunted by 0.15μF.



- Leakage current must not exceed 0.5mA.
- Be sure to test for leakage with the AC plug in both polarities.



For U model

“CAUTION”

F251, F252: FOR CONTINUED PROTECTION AGAINST RISK OF FIRE, REPLACE ONLY WITH SAME TYPE 10A, 125V FUSE.”

For C model

CAUTION

F251, F252: REPLACE WITH SAME TYPE 10A, 125V FUSE.

ATTENTION

F251, F252: UTILISER UN FUSIBLE DE RECHANGE DE MÊME TYPE DE 10A, 125V.

WARNING: CHEMICAL CONTENT NOTICE!

The solder used in the production of this product contains LEAD. In addition, other electrical/electronic and/or plastic (where applicable) components may also contain traces of chemicals found by the California Health and Welfare Agency (and possibly other entities) to cause cancer and/or birth defects or other reproductive harm.

DO NOT PLACE SOLDER, ELECTRICAL/ELECTRONIC OR PLASTIC COMPONENTS IN YOUR MOUTH FOR ANY REASON WHATSOEVER!

Avoid prolonged, unprotected contact between solder and your skin! When soldering, do not inhale solder fumes or expose eyes to solder/flux vapor!

If you come in contact with solder or components located inside the enclosure of this product, wash your hands before handling food.

About lead free solder / 無鉛ハンダについて

All of the P.C.B.s installed in this unit and solder joints are soldered using the lead free solder.

Among some types of lead free solder currently available, it is recommended to use one of the following types for the repair work.

- Sn + Ag + Cu (tin + silver + copper)
- Sn + Cu (tin + copper)
- Sn + Zn + Bi (tin + zinc + bismuth)

Caution:

As the melting point temperature of the lead free solder is about 30°C to 40°C (50°F to 70°F) higher than that of the lead solder, be sure to use a soldering iron suitable to each solder.

本機に搭載されているすべての基板およびハンダ付けによる接合部は無鉛ハンダでハンダ付けされています。

無鉛ハンダにはいくつかの種類がありますが、修理時には下記のような無鉛ハンダの使用を推奨します。

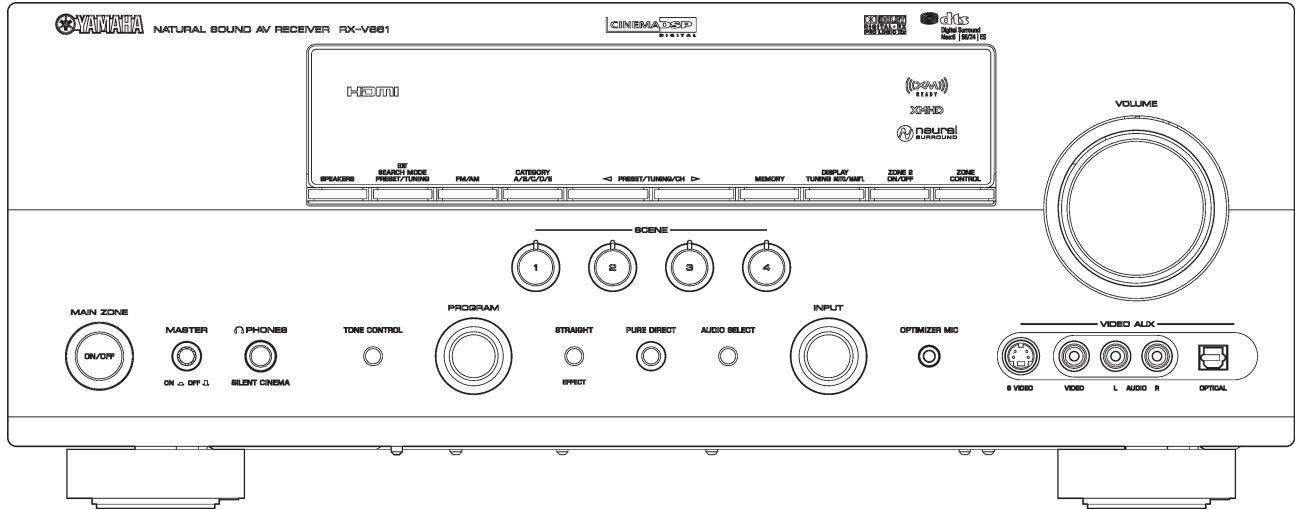
- ・ Sn+Ag+Cu(錫+銀+銅)
- ・ Sn+Cu(錫+銅)
- ・ Sn+Zn+Bi(錫+亜鉛+ビスマス)

注意：

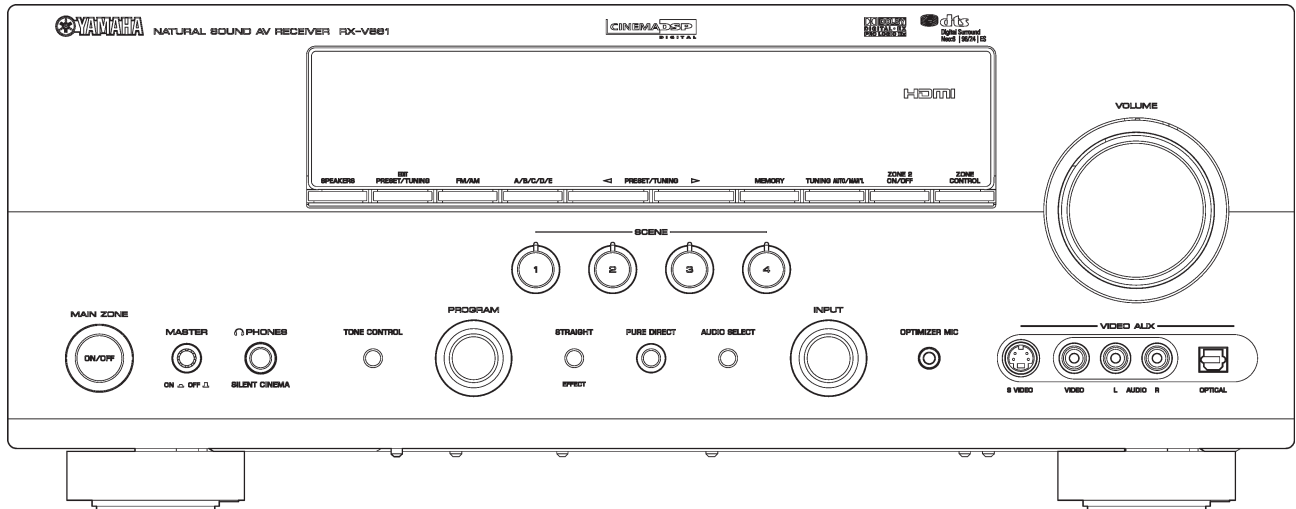
無鉛ハンダの融点温度は通常の鉛入りハンダに比べ30～40°C程度高くなっていますので、それぞれのハンダに合ったハンダごてをご使用ください。

FRONT PANELS

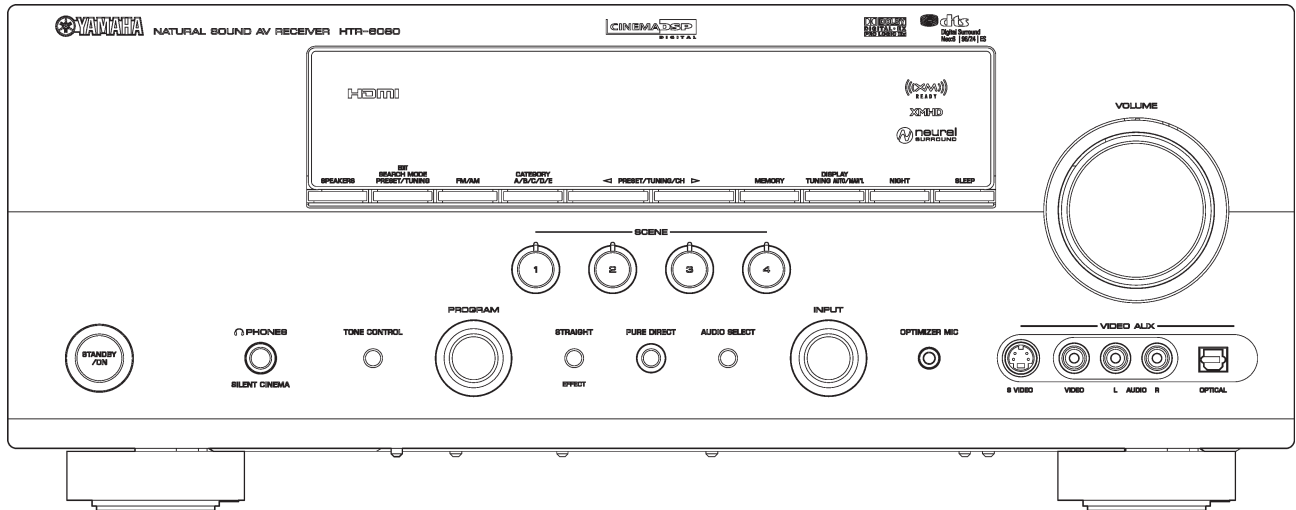
RX-V861 (U, C models)



RX-V861 (R, T, K, A, G, E, L models)



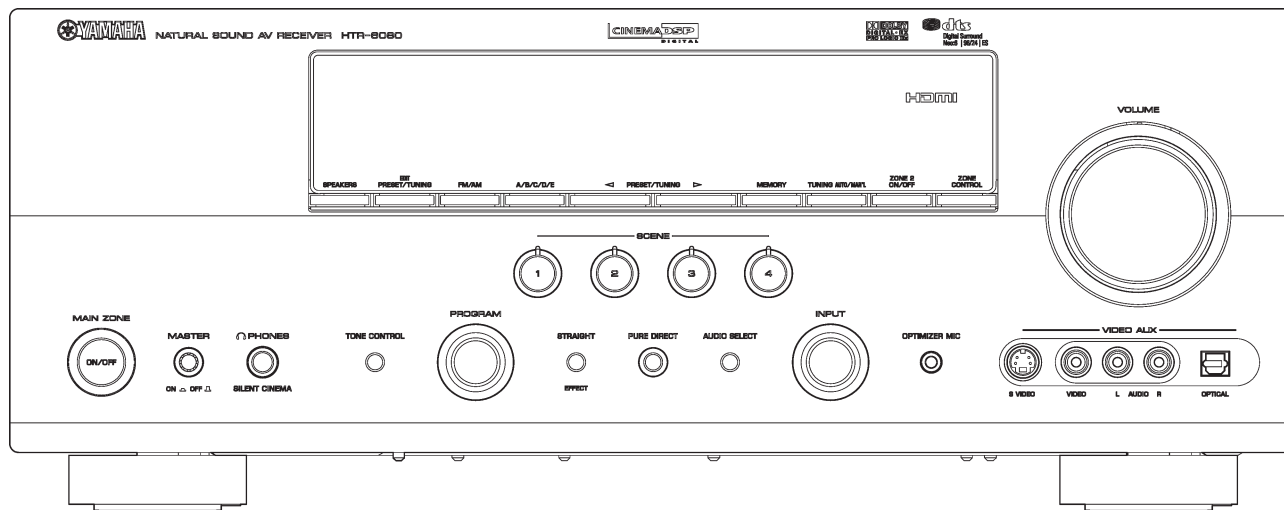
HTR-6080 (U, C models)



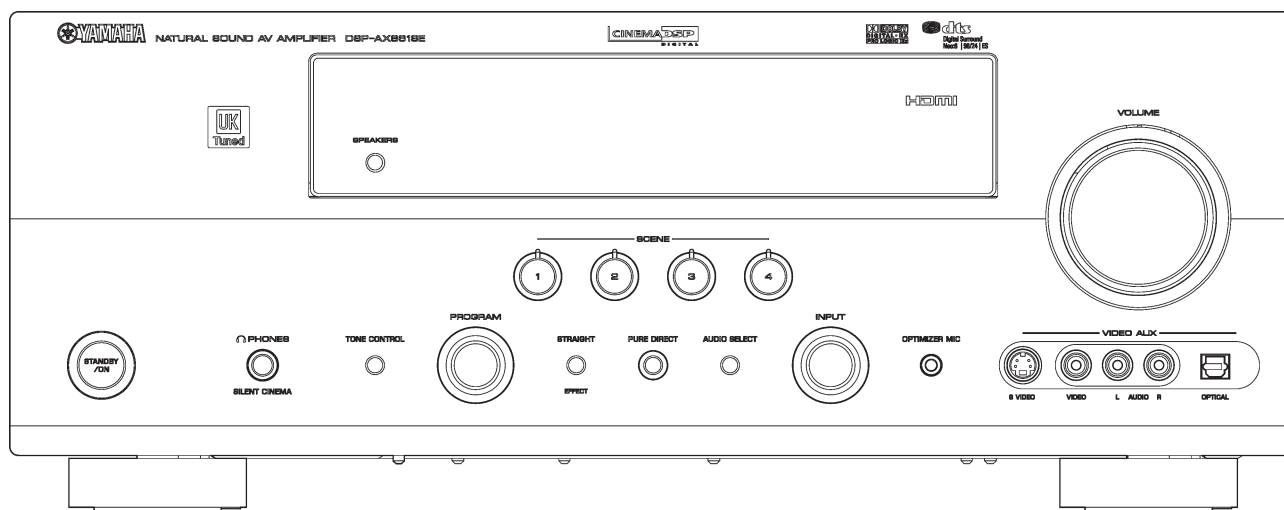
RX-V861/HTR-6080/DSP-AX861SE/
DSP-AX861

RX-V861/HTR-6080/DSP-AX861SE/
DSP-AX861

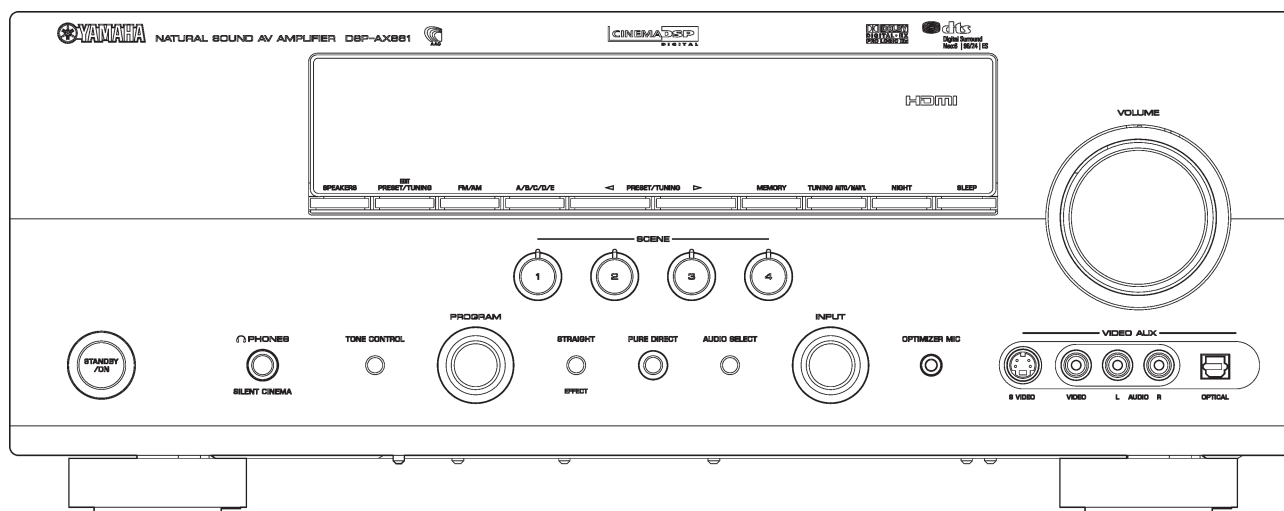
HTR-6080 (G model)



DSP-AX861SE (B model)

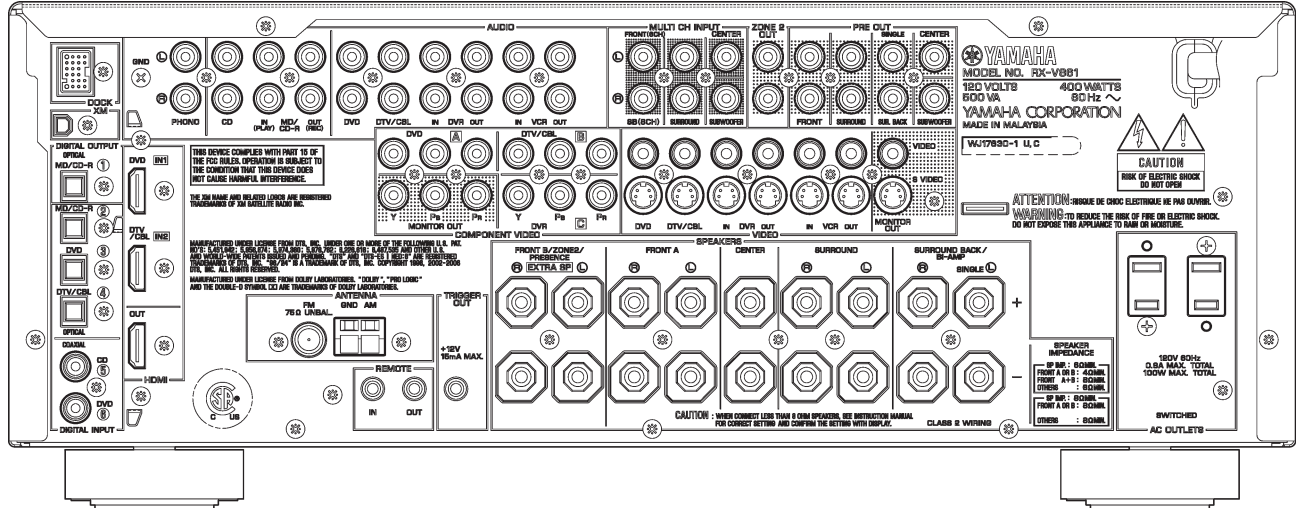


DSP-AX861 (J model)

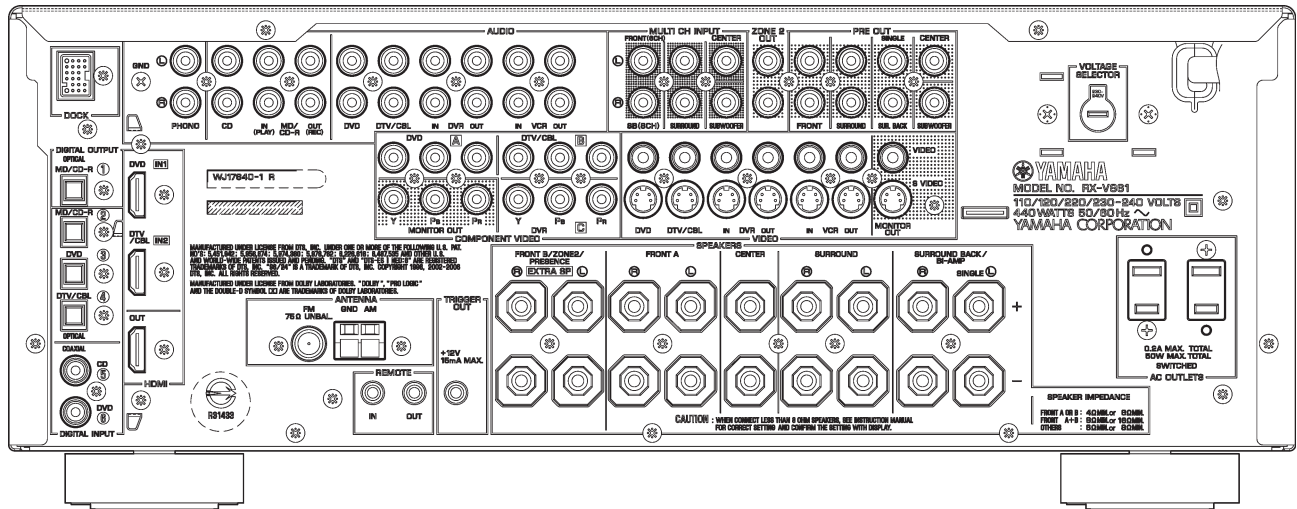


REAR PANELS

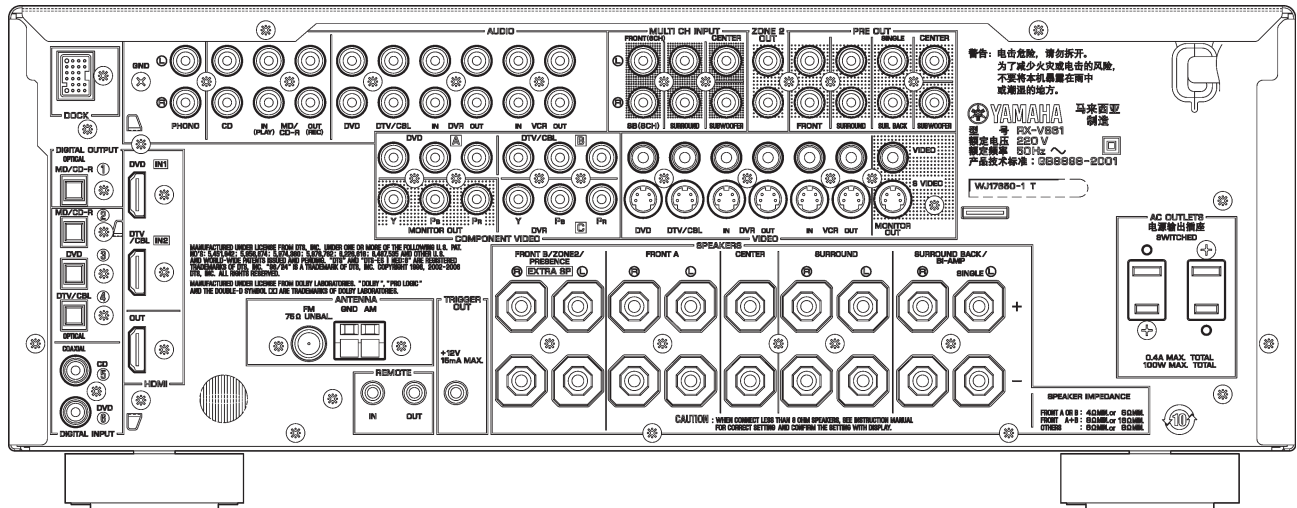
RX-V861 (U, C models)



RX-V861 (R model)

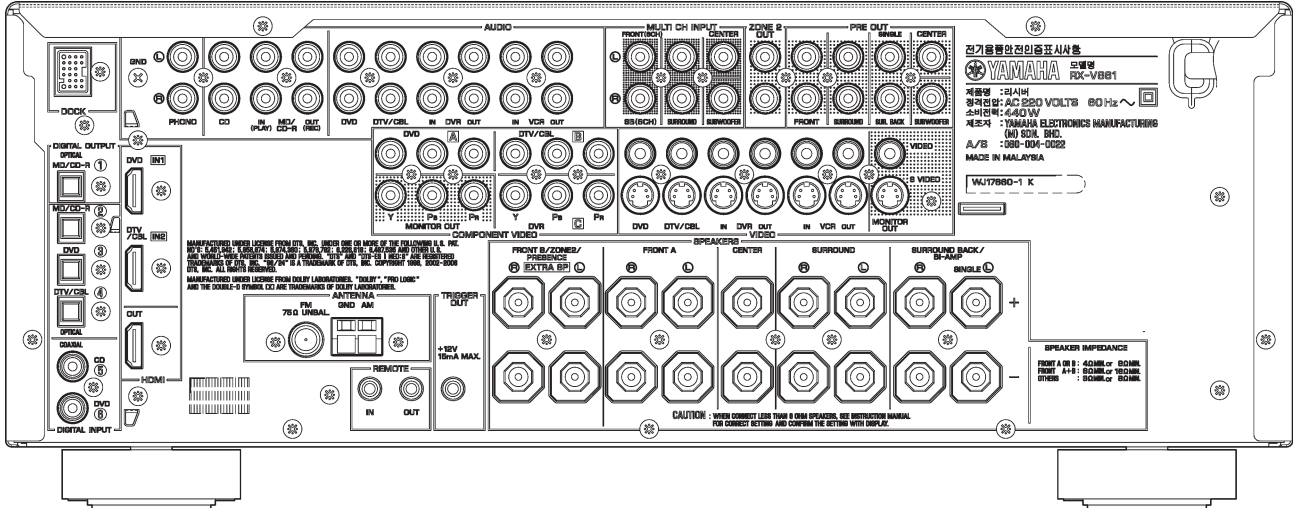


RX-V861 (T model)

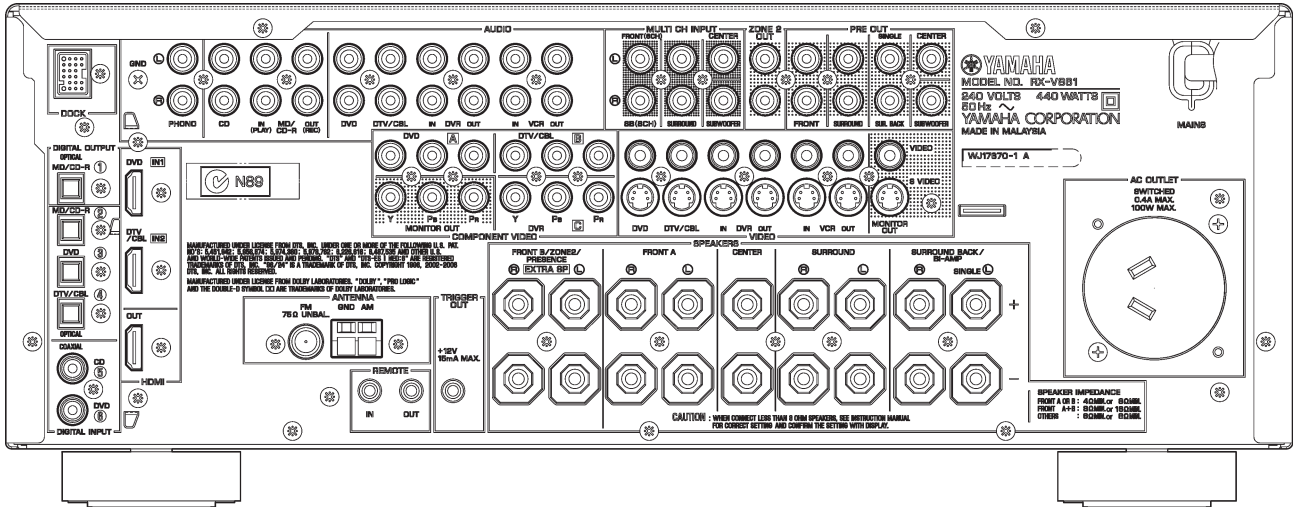


RX-V861/HTR-6080/DSP-AX861SE/
DSP-AX861

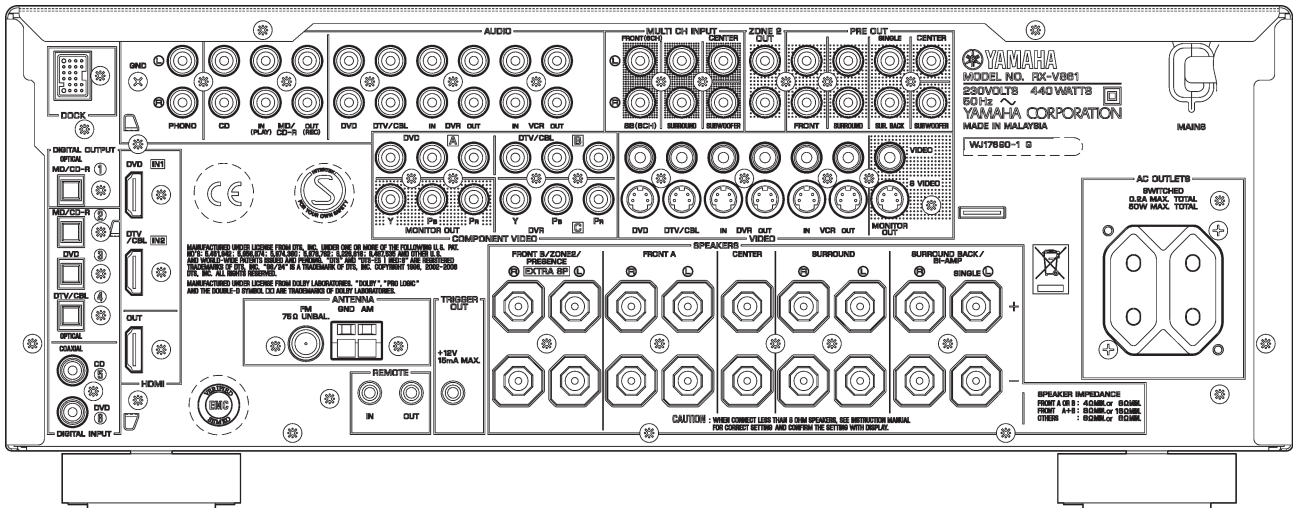
RX-V861 (K model)



RX-V861 (A model)

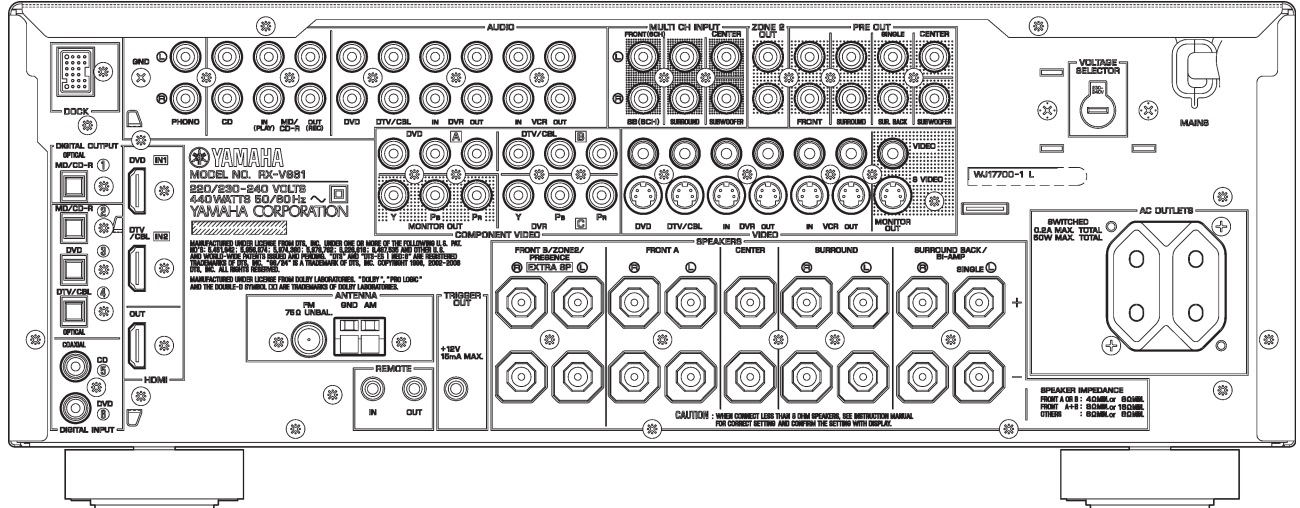


RX-V861 (G, E models)

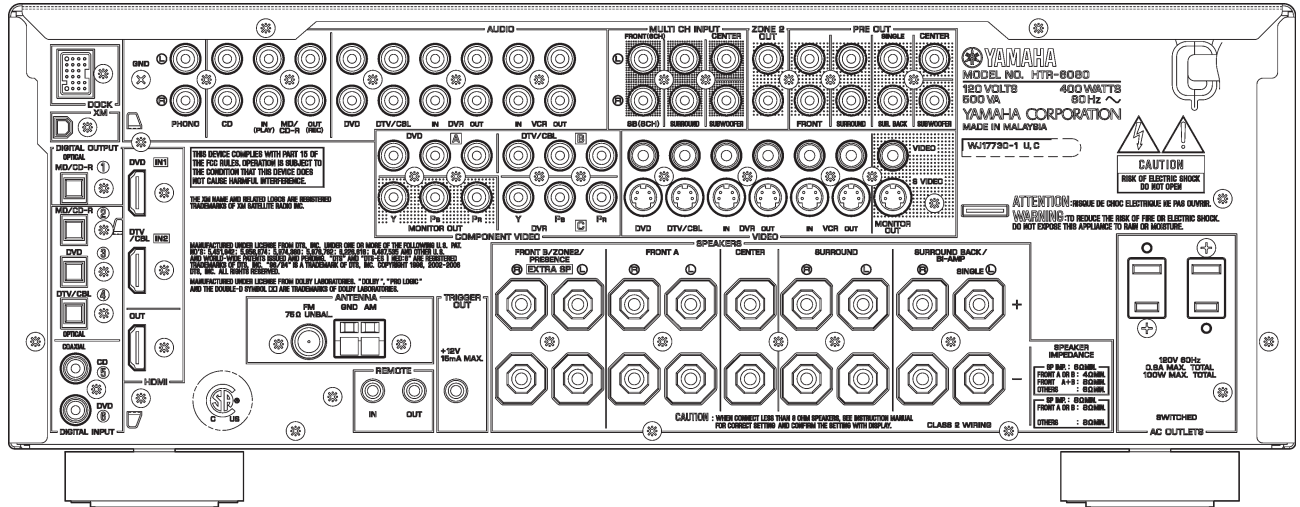


RX-V861/HTR-6080/DSP-AX861SE/DSP-AX861

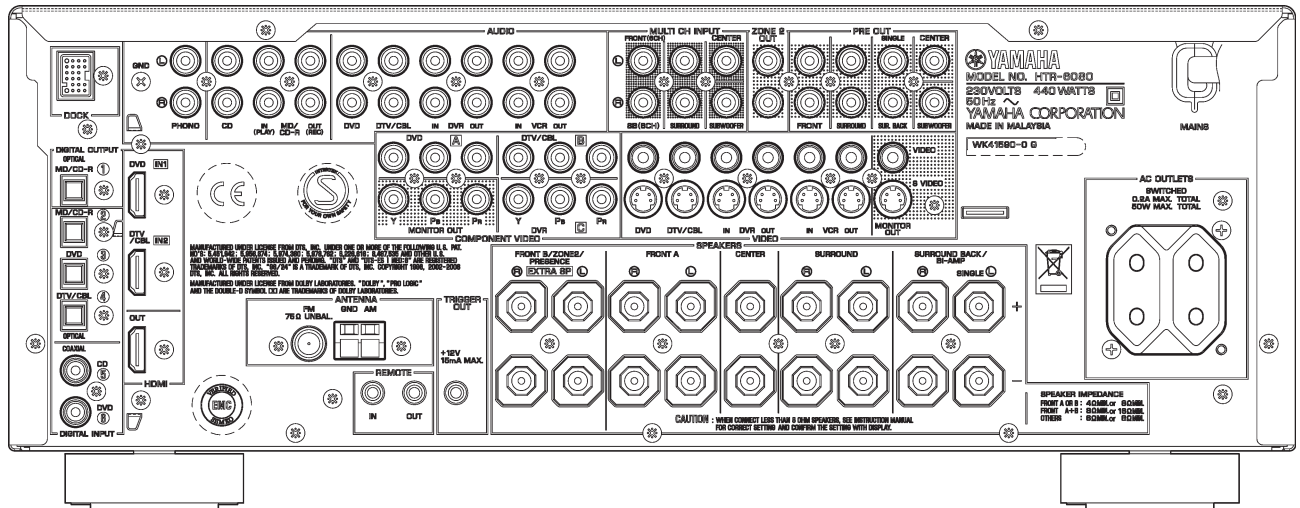
RX-V861 (L model)



HTR-6080 (U, C models)

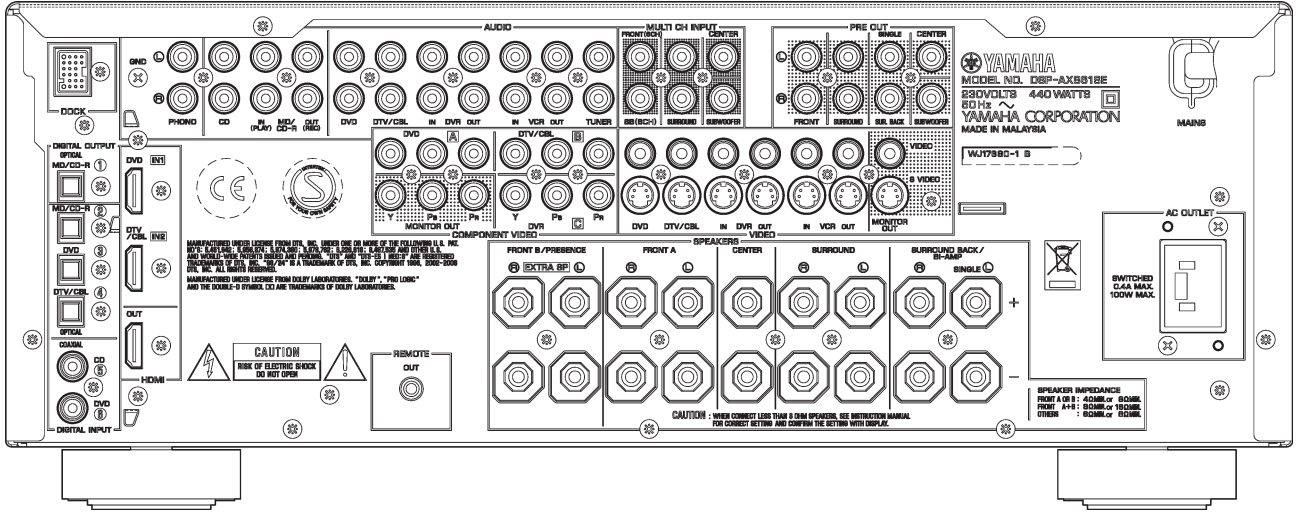


HTR-6080 (G model)

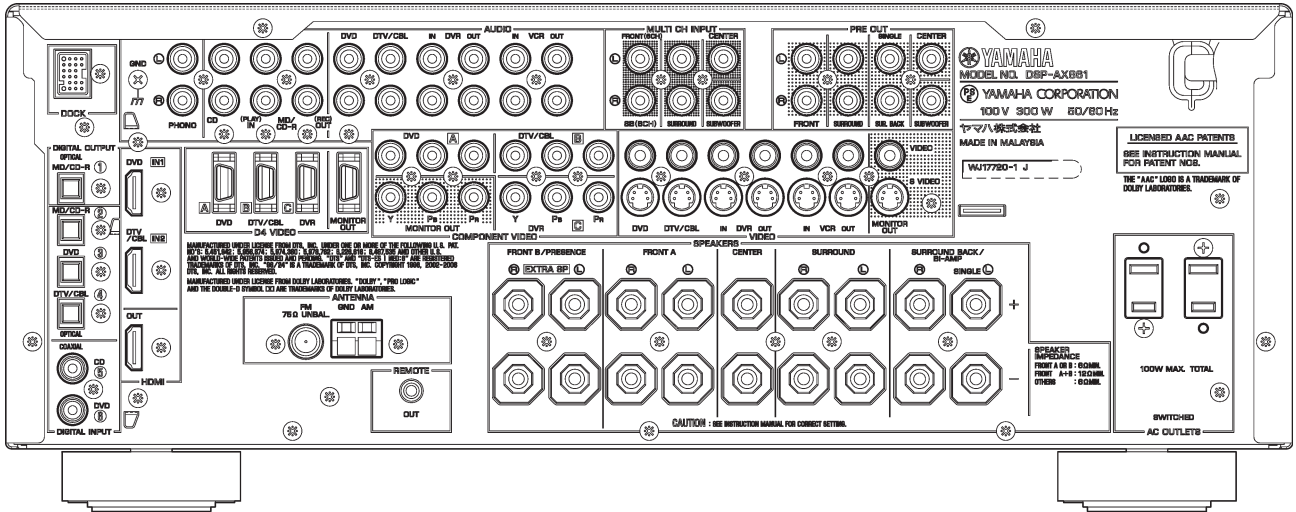


RX-V861/HTR-6080/DSP-AX861SE/
DSP-AX861

DSP-AX861SE (B model)



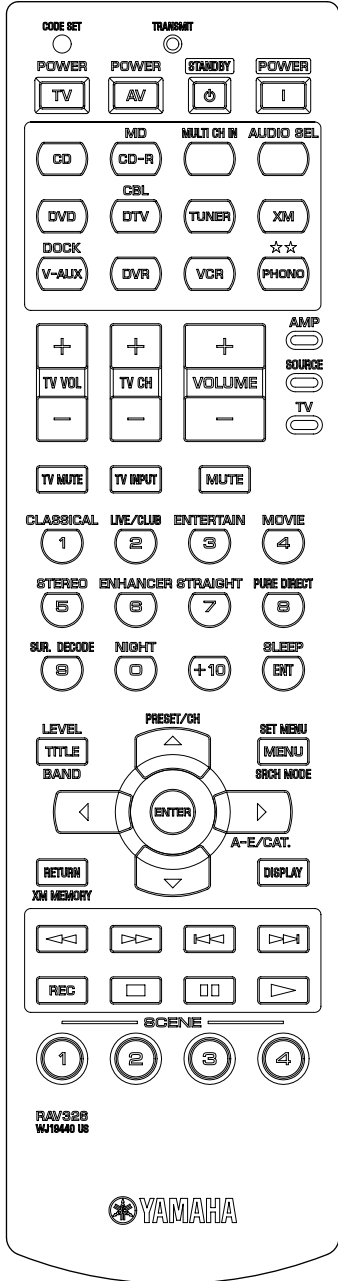
DSP-AX861 (J model)



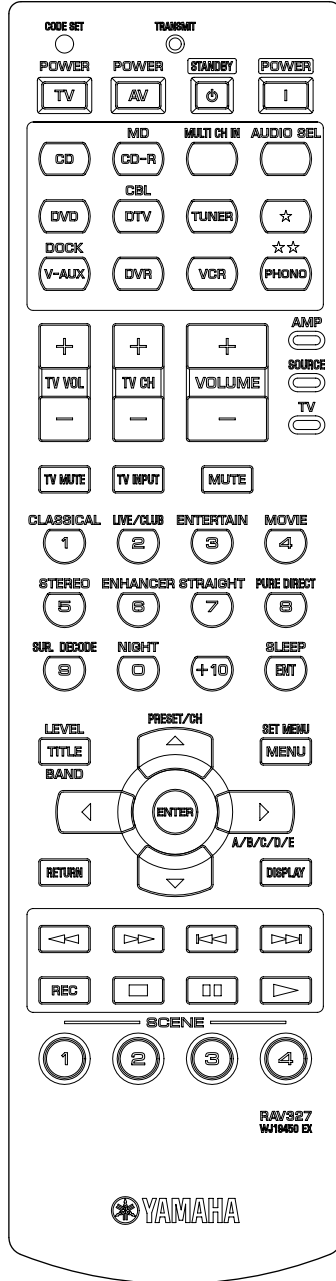
RX-V861/HTR-6080/DSP-AX861SE/
DSP-AX861

■ REMOTE CONTROL PANELS

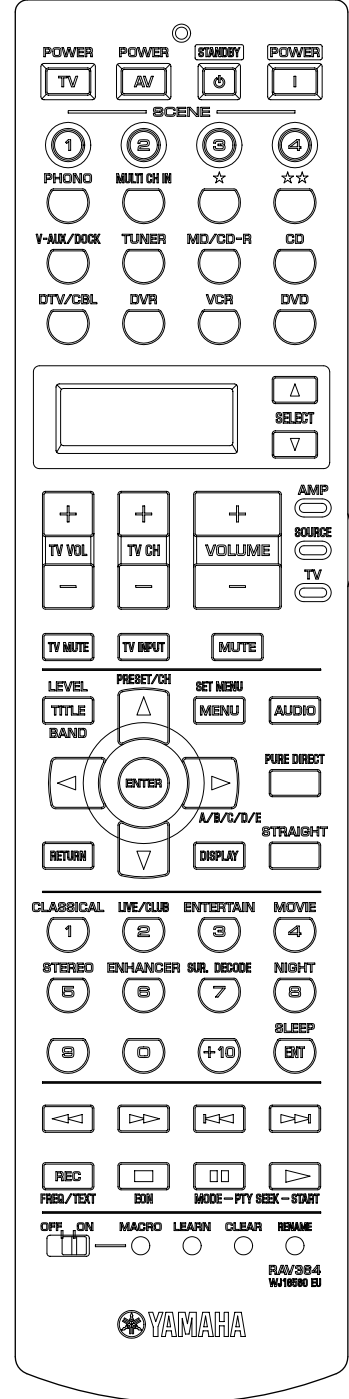
- RAV326
RX-V861 (U, C models)
HTR-6080 (U, C models)



- RAV327
RX-V861 (R, T, A, L models)
DSP-AX861 (J model)



- RAV364
RX-V861 (K, G, E models)
HTR-6080 (G model)
DSP-AX861SE (B model)



SPECIFICATIONS / 参考仕様

Audio Section / オーディオ部

Minimum RMS Output Power (Power Amp. Section) / 定格出力 (パワーアンプ部)

[RX-V861/DSP-AX861SE/DSP-AX861] (20 Hz to 20 kHz)
 U, C, R, T, K, A, B, G, E, L models (0.06 % THD, 8 ohms)
 J model (0.09 % THD, 6 ohms)

FRONT L/R	105 W + 105 W
CENTER	105 W
SURROUND L/R	105 W + 105 W
SURROUND BACK L/R	105 W + 105 W

[HTR-6080] (1 kHz, 0.7 % THD, 8 ohms)

FRONT L/R	120 W + 120 W
CENTER	120 W
SURROUND L/R	120 W + 120 W
SURROUND BACK L/R	120 W + 120 W

Maximum Power / 実用最大出力 (JEITA, 1 kHz, 10 % THD)

FRONT L/R	
R, T, K, L models (8 ohms)	145 W + 145 W
J model (6 ohms)	145 W + 145 W
CENTER	
R, T, K, L models (8 ohms)	145 W
J model (6 ohms)	145 W
SURROUND L/R	
R, T, K, L models (8 ohms)	145 W + 145 W
J model (6 ohms)	145 W + 145 W
SURROUND BACK L/R	
R, T, K, L models (8 ohms)	145 W + 145 W
J model (6 ohms)	145 W + 145 W

Max. Power Per Channel / Max. パワー

(SP impedance set: 8 ohms minimum, 1 kHz, 0.7 % THD, 4 ohms)
 B, G, E, L models

FRONT L/R	155 W + 155 W
CENTER	155 W
SURROUND L/R	155 W + 155 W
SURROUND BACK L/R	155 W + 155 W

IEC Power / IEC パワー (1 kHz, 0.06 % THD, 8 ohms)

B, G, E, L models

FRONT L/R	115 W + 115 W
-----------	---------------

Dynamic Power Per Channel / ダイナミックパワー (IHF)

FRONT L/R	
U, C, R, T, K, A, B, G, E, L models (8/6/4/2 ohms)	140/175/205/250 W
J model (6/4/2 ohms)	145/175/220 W

Dynamic Headroom / ダイナミックヘッドルーム

U, C models (8 ohms) 1.25 dB

Damping Factor / ダンピングファクタ

FRONT L/R (20 Hz to 20 kHz, SPEAKER-A, 8 ohms) 120 or more

Input Sensitivity/Input Impedance / 入力感度/入力インピーダンス (1 kHz, 100 W/8 ohms)

PHONO (MM)	3.5 mV / 47 k-ohms
CD, etc.	200 mV / 47 k-ohms
MULTI CH INPUT	
FRONT L/R, CENTER, SURROUND L/R, SURROUND BACK L/R, SUBWOOFER	200 mV / 47 k-ohms

Maximum Input Signal Level / 最大許容入力

PHONO (MM) (1 kHz, 0.1 % THD)	60 mV or more
CD, etc. (Effect on) (1 kHz, 0.5 % THD)	2.3 V or more

Output Level/Output Impedance / 出力電圧/出力インピーダンス

REC OUT	200 mV / 1.2 k-ohms
PRE OUT (FRONT L/R, CENTER, SURROUND L/R, SURROUND BACK L/R)	1.0 V / 1.2 k-ohms
SUBWOOFER (2ch stereo & FRONT L/R SP: small)	1.0 V / 1.2 k-ohms

[RX-V861 (U, C, R, T, K, A, G, E, L models)/HTR-6080 (G model)]
 ZONE2 OUT 200 mV / 1.2 k-ohms

Headphone Jack Rated Output/Impedance / ヘッドフォン出力/出力インピーダンス

CD, etc. (1 kHz, 50 mV, 8 ohms) 150 mV / 100 ohms

Frequency Response / 周波数特性 (10 Hz to 100 kHz)

CD, etc. to FRONT L/R (Pure direct) +0/-3.0 dB

RIAA Equalization Deviation / RIAA 偏差 (20 Hz to 20 kHz)

PHONO (MM) 0 ± 0.5 dB

Total Harmonic Distortion / 全高調波歪率 (20 Hz to 20 kHz)

PHONO (MM) to REC OUT (1 V)	0.02 % or less
CD, etc. (2ch stereo) to FRONT L/R SP OUT (50 W, 8 ohms)	0.06 % or less

Signal to Noise Ratio / 信号対雑音比 (IHF-A network)

PHONO (MM) (Input shorted) to REC OUT	
U, C, R, T models (5 mV)	86 dB or more
K, A, B, G, E, L models (5 mV)	81 dB or more
J model (2.5 mV)	80 dB or more
CD, etc. (Effect off) (Input shorted) to SP OUT	
250 mV	100 dB or more

Residual Noise / 残留ノイズ (IHF-A network)

FRONT L/R, SP OUT 150 µV or less

Channel Separation / チャンネルセパレーション (1 kHz/10 kHz)

PHONO (Input shorted)	60 dB or more/55 dB or more
CD, etc. (Input 5.1 k-ohms shorted)	60 dB or more/45 dB or more

Volume Control / 可変範囲/ステップ

MUTE/-80 dB to +16.5 dB/0.5 dB step

Tone Control Characteristics / トーンコントロール特性

BASS

Boost/Cut	± 10 dB/2 dB (step 50 Hz)
Turnover frequency	350 Hz

TREBLE

Boost/Cut	± 10 dB/2 dB (step 20 kHz)
Turnover frequency	3.5 kHz

Filter Characteristics / フィルター特性

(fc=40/60/80/90/100/110/120/160/200 Hz)

FRONT, CENTER, SURROUND, SURROUND BACK small (H.P.F.)	12 dB/oct.
SUBWOOFER (L.P.F.)	24 dB/oct.

Video Section / ビデオ部

Video Signal Type / ビデオ信号方式

Gray back	
U, C, R, K, J models	NTSC
T, A, B, G, E, L models	PAL
Video conversion	NTSC/PAL

Composite Video Signal Level / コンポジットビデオ信号

1 Vp-p / 75 ohms

S-Video Signal Level / Sビデオ信号

Y	1 Vp-p / 75 ohms
C	0.286 Vp-p / 75 ohms

Component Video Signal Level / コンポーネントビデオ信号

Y	1 Vp-p / 75 ohms
Cb/Cr	0.7 Vp-p / 75 ohms

D4-Video Signal Level / D4ビデオ信号 (J model)

Y	1 Vp-p / 75 ohms
Cb/Cr	0.7 Vp-p / 75 ohms

Video Maximum Input Level / ビデオ最大許容入力

VIDEO CONV. OFF 1.5 Vp-p or more

Video Signal to Noise Ratio / ビデオ信号対雑音比

VIDEO CONV. OFF 50 dB or more

Monitor Out Frequency Response / モニターアウト周波数帯域 (VIDEO CONV. OFF)

Component video signal level	5 Hz to 60 MHz, -3 dB
D4-video signal level (J model)	5 Hz to 60 MHz, -3 dB

FM Section / FM部

Tuning Range / 受信周波数範囲

U, C models	87.5 to 107.9 MHz
R, L models	87.5 to 108.0 / 87.50 to 108.00 MHz
T, K, A, G, E models	87.50 to 108.00 MHz
J model	76.0 to 90.0 MHz

50dB Quieting Sensitivity / 50 dB SN感度 (IHF, 1 kHz, 100 % MOD.)

Mono 2.8 µV (20.2 dBf)

Signal to Noise Ratio / 信号対雑音比 (IHF)

Mono / Stereo 73 dB / 70 dB

Harmonic Distortion / 歪率 (1 kHz)

Mono / Stereo 0.5 % / 0.5 %

Antenna Input / アンテナ入力

75 ohms unbalanced

AM Section / AM部

Tuning Range / 受信周波数範囲

U, C models	530 to 1,710 kHz
R, L models	530 to 1,710 / 531 to 1,611 kHz
T, K, A, G, E, J models	531 to 1,611 kHz

Antenna Input / アンテナ入力

Loop antenna

RX-V861/HTR-6080/DSP-AX861SE/DSP-AX861

■ General / 総合

Power Supply / 電源電圧

U, C models	AC 120 V, 60 Hz
R model	AC 110/120/220/230-240 V, 50/60 Hz
T model	AC 220 V, 50 Hz
K model	AC 220 V, 60 Hz
A model	AC 240 V, 50 Hz
B, G, E models	AC 230 V, 50 Hz
L model	AC 220/230-240 V, 50/60 Hz
J model	AC 100 V, 50/60 Hz

Power Consumption / 消費電力

U, C models	400 W / 500 VA
R, T, K, A, B, G, E, L models	440 W
J model	300 W

Standby Power Consumption (reference data) / 待機時消費電力(参考値)

U, C, T, K, A, B, G, E, L, J models	0.1 W or less
-------------------------------------	---------------

Maximum Power Consumption / 最大消費電力 (6ch drive, 10 % THD)

R model	850 W
---------	-------

AC Outlets / ACアウトレット

2 switched outlets	
U, C, T, J models	100 W max. total
R, G, E, L models	50 W max. total
1 switched outlet	
A, B models	100 W max.

Dimensions / 寸法 (W x H x D)

	435 x 171 x 421 mm (17-1/8" x 6-3/4" x 16-9/16")
--	--

Weight / 質量

	13.1 kg (28 lbs. 14 oz.)
--	--------------------------

Finish / 仕上げ

[RX-V861]	
Gold color	R, T, K models
Black color	U, C, R, A, G models
Titanium color	C, R, T, G, E, L models
[HTR-6080]	
Black color	U, C models
Titanium color	G model
[DSP-AX861SE]	
Titanium color	B model
[DSP-AX861]	
Gold color	J model

Accessories / 付属品

Remote control x 1, Batteries (R6, AA, UM-3) x 2 (U, C, R, T, A, L, J models) / (R03, AAA, UM-4) x 4 (K, B, G, E models), Indoor FM antenna x 1 (U, C, R, T, K, A, G, E, L, J models), AM loop antenna x 1 (U, C, R, T, K, A, G, E, L, J models), Optimizer microphone x 1

* Specifications are subject to change without notice due to product improvements.

※ 参考仕様および外観は予告なく変更されることがあります。

U U.S.A. model	C Canadian model
R General model	T Chinese model
K Korean model	A Australian model
B British model	G European model
E South European model	L Singapore model
J Japanese model		



Manufactured under license from Dolby Laboratories. "Dolby", "Pro Logic", and the double-D symbol are trademarks of Dolby Laboratories.

ドルビーラボラトリーズからの実施権により製造されています。「ドルビー」、「PRO LOGIC」、「Surround EX」およびダブルD記号は、ドルビーラボラトリーズの商標です。



DTS-ES | NEO:6 | 96/24. Product "DTS" and "DTS-ES | NEO:6" are registered trademarks of DTS, Inc. "96/24" is a trademark of DTS, Inc.

DTS, DTS-ES Extended Surround, NEO:6およびDTS96/24はDTS社の商標です。

iPod™

"iPod" is a trademark of Apple Computer, Inc., registered in the U.S. and other countries.

iPodは、米国およびその他の国々で登録されたApple Computer, Inc.の商標または登録商標です。



"HDMI", the "HDMI" logo and "High-Definition Multimedia Interface" are trademarks or registered trademarks of HDMI Licensing LLC. HDMI、HDMIロゴおよびHigh-Definition Multimedia Interfaceは、HDMI Licensing LLCの商標または、登録商標です。



"SILENT CINEMA" is a trademark of YAMAHA CORPORATION. 「サイレントシネマ™ SILENT CINEMA™」はヤマハ株式会社の登録商標です。



The XM name and related logos are registered trademarks of XM Satellite Radio Inc.

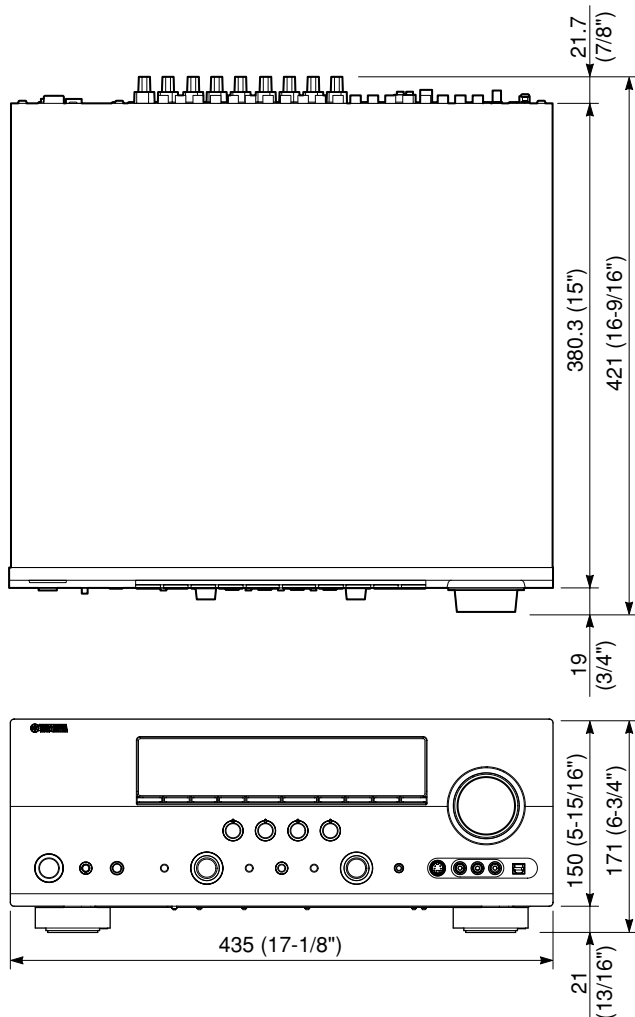


Neural Surround™ name and related logos are trademarks owned by Neural Audio Corporation.



AACロゴマークはドルビーラボラトリーズの商標です。

• DIMENSIONS / 寸法図



Unit: mm (inch)
単位: mm(インチ)

• SCENE TEMPLATE

SCENE name	Contents		Source	Program		Select (Default)		
				Mode	Sub-mode	U, C models	R, T, K, A, G, E, L, J models	B model
DVD Viewing	DVD	Movie	DVD	STRAIGHT	-	O (SCENE 1)	O	O
DVD Movie Viewing			MOVIE	Sci-Fi	O	O (SCENE 1)	O (SCENE 1)	
DVD Live Viewing		Music Live	DVD	ENTERTAINMENT	Music Video	O	O	O
DVR Viewing	DVR	Music Disc	DVR	MOVIE	Drama	O	O	O
Disc Hi-fi Listening			DVDA/SACD/CD	DVD	PURE DIRECT	-	O	O
Music Disc Listening	CD	Music Disc	DVD	STEREO	2ch Stereo	O	O (SCENE 2)	O (SCENE 2)
Disc Listening			DVD	STEREO	7ch Stereo	O (SCENE 2)	O	O
CD Hi-fi Listening			CD	PURE DIRECT	-	O	O	O
CD Listening	TUNER/RADIO	FM/AM	CD	STEREO	2ch Stereo	O	O	O
CD Music Listening			CD	STEREO	7ch Stereo	O	O	O
Radio Listening			FM/AM (TUNER)	MUSIC ENHANCER	7ch Stereo	O (SCENE 4)	O (SCENE 4)	O (SCENE 4)
XM Listening	(U, C models)	XM	XM	MUSIC ENHANCER	7ch Stereo	O	-	-
iPod Listening	DIGITAL AUDIO PLAYER	iPod	DOCK (V-AUX)	MUSIC ENHANCER	7ch Stereo	O	O	O
TV Viewing	TV	DTV/CBL	DTV/CBL	STRAIGHT	-	O (SCENE 3)	O (SCENE 3)	O (SCENE 3)
TV Sports Viewing			DTV/CBL	ENTERTAINMENT	Sports	O	O	O
Action Game Playing	GAME	Action	V-AUX	ENTERTAINMENT	Action Game	O	O	O
RPG Playing		RPG	V-AUX	ENTERTAINMENT	Role-playing Game	O	O	O
LP Record Listening	LP Record	LP	PHONO	PURE DIRECT	-	O	O	O

• SOUND/SURROUND SELECT MENU

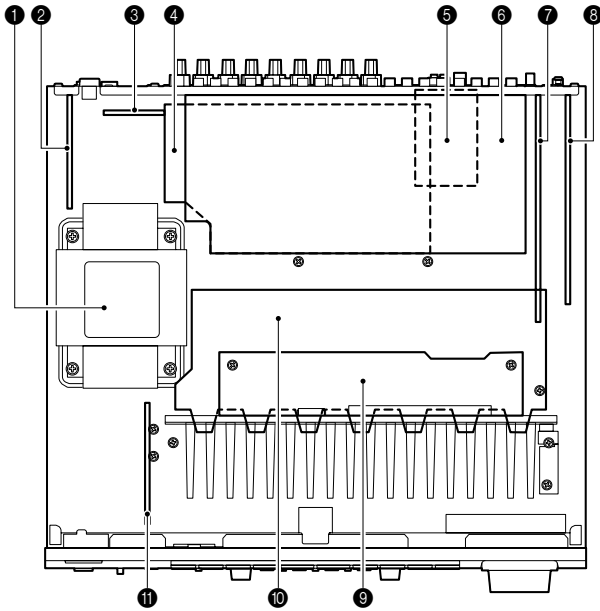
		DIRECT (On/Off)	CT/SL/SR/SB/PL/PR LEVEL (0 to 100 %)	DSP LEVEL (-6 dB to +3 dB)	INIT. DELAY (1 to 99ms)	ROOM SIZE (0.1 to 2.0, 0.1 step)	LIVENESS (1 to 10)	Presence INIT. DELAY (1 to 99 ms)	Surround ROOM SIZE (0.1 to 2.0, 0.1 step)	Surround Back LIVENESS (1 to 10)	ROOM SIZE (0.1 to 2.0, 0.1 step)	LIVENESS (1 to 10)	DECODE TYPE	DIALOG LIFT (0 to 5)	REV. TIME (1.0 to 5.0 s, 0.1 step)	REV. LEVEL (0 to 100 %)	REV. DELAY (0 to 250 ms)	EFFECT LEVEL (High/Low)	PANORAMA (Off/On)	DIMENSION (-3 to STD to +3)	CENTER WIDTH (0 to 7)	CENTER IMAGE (0 to 1.0, 0.1 step)
STEREO	2ch Stereo	O																				
	7ch Stereo		O																			
CLASSICAL	Hall in Munich			O	O	O	O							O								
	Hall in Vienna			O	O	O	O							O								
	Chamber			O	O	O	O							O	O	O	O					
LIVE/CLUB	Cellar Club			O	O	O	O							O								
	The Roxy Theatre			O	O	O	O							O	O	O	O					
	The Bottom Line			O	O	O	O							O								
ENTERTAINMENT	Sports			O				O	O	O	O			O								
	Action Game			O				O	O	O	O			O								
	Role-playing Game			O				O	O	O	O			O								
	Music Video			O				O	O	O	O			O								
MOVIE	Standard			O				O	O	O	O			O								
	Spectacle			O				O	O	O	O			O								
	Sci-Fi			O				O	O	O	O			O								
	Adventure			O				O	O	O	O			O								
	Drama			O				O	O	O	O			O								
	Mono Movie			O	O	O	O							O	O	O	O					
MUSIC ENHANCER	2ch Enhancer																		O			
	7ch Enhancer																		O			
SURROUND DECODE	Pro Logic																					
	PL IIx Movie, PL II Movie																			O	O	O
	PL II x Music, PL II Music																					
	PL II x Game, PL II Game																					
	Neo: 6 Cinema																					
	Neo: 6 Music																					O
	(U, C models) Neural Surround																					

● SET MENU TABLE / セットメニュー

CATEGORY	MAIN MENU	SUB MENU	SELECT MENU	VALUE [INITIAL]
AUTO SETUP	Use this feature to automatically adjust speaker and system parameters. 本機に搭載の「YPAO」により、お使いになるスピーカーの配置や性能、お部屋の音響特性を測定し、最適な視聴空間を自動的に設定します。			
MANUAL SETUP	1 SOUND MENU	A) SPEAKER SET	EXTRA SP ASSIGN : FRONT B FRONT B : FRONT PRIORITY : SUR.B PRNS / [SUR. B] FRONT SP : LARGE SMALL / [LARGE] CENTER SP : SML NONE / [SML] / LRG SUR. L/R SP : SML NONE / [SML] / LRG SUR. B/L/R SP : SMLx2 NONE / SMLx1 / [SMLx2] / LRGx1 / LRGx2 LFE/BASS OUT : BOTH SWFR / FRONT / [BOTH] CROSS OVER : 80Hz 40 / 60 / [80] / 100 / 110 / 120 / 160 / 200 Hz SUBWOOFER PHASE : NORMAL [NORMAL] / REVERSE	[FRONT B] / ZONE2 / PRESENCE / NONE [FRONT] / ZONE B PRNS / [SUR. B] SMALL / [LARGE] NONE / [SML] / LRG NONE / [SML] / LRG NONE / SMLx1 / [SMLx2] / LRGx1 / LRGx2 SWFR / FRONT / [BOTH] 40 / 60 / [80] / 100 / 110 / 120 / 160 / 200 Hz [NORMAL] / REVERSE
		B) SPEAKER LEVEL	FL ***** ***** FR ***** ***** C ***** ***** SWFR ***** ***** SL ***** ***** SR ***** ***** SBR ***** ***** SBL ***** ***** PL ***** ***** PR ***** *****	-10 dB to +10 dB [CENTER (0)]; 1 dB step
		C) SP DISTANCE	UNIT : feet FRONT L : 10.0ft FRONT R : 10.0ft CENTER : 10.0ft SWFR : 10.0ft SUR. L : 10.0ft SUR. R : 10.0ft SB L : 7.0ft SB R : 7.0ft PRNS L : 10.0ft PRNS R : 10.0ft FRONT L : 3.00m FRONT R : 3.00m CENTER : 3.00m SWFR : 3.00m SUR. L : 3.00m SUR. R : 3.00m SB L : 2.10m SB R : 2.10m PRNS L : 3.00m PRNS R : 3.00m	feet / meters feet: 1.0 to 80.0 ft [10.0 ft], 0.5 ft step meters: 0.30 to 24.00 m [3.00 m], 0.10 m step
		D) EQUALIZER	EQ TYPE SELECT : CENTER GEQ TEST : >OFF ON 100Hz -- -- 0dB 300Hz -- -- 0dB 1kHz -- -- 0dB 3kHz -- -- 0dB 10kHz -- -- 0dB SPEAKER : 0dB HEADPHONE : 0dB SP D. R. : MAX HP D. R. : MAX MUTE TYPE : FULL A. DELAY : 0 ms MAX VOL. : +16.5dB INI. VOL. : OFF DUAL MONO : MAIN SUPPORT AUDIO : RX-V861 MODE : AUTO TYPE : PLiix Movie CMPNT-V INPUT [A] : DVD CMPNT-V INPUT [B] : DTV/CBL CMPNT-V INPUT [C] : DVR OPTICAL OUT (1) : MD/CD-R COAXIAL IN (2) : MD/CD-R OPTICAL IN (3) : DVD OPTICAL IN (4) : DTV/CBL COAXIAL IN (5) : CD COAXIAL IN (6) : DVD HDMI IN (IN1) : DVD HDMI IN (IN2) : DTV/CBL	AUTO PEQ / [CENTER GEQ] / EQ.OFF [OFF] / ON -6 dB to +6 dB [0 dB], 0.5 dB step -20 dB to 0 dB [0 dB], 1 dB step -20 dB to 0 dB [0 dB], 1 dB step MIN / STD / [MAX] MIN / STD / [MAX] [FULL] / -20 dB [0 ms] to 160 ms, 1 ms step [+16.5 dB] / +10.0 dB / +5.0 dB / 0 dB / -5.0 dB / -10.0 dB / -15.0 dB / -20.0 dB / -25.0 dB / -30.0 dB [OFF] / -80.0 dB to +16.5 dB; 0.5 dB step [MAIN] / SUB / ALL [RX-V861] / [HTR-6080] / [DSP-861SE] / [DSP-AX861] / OTHER [AUTO] / ON / OFF [PLiix Movie] / PLiix Music / EXFES / EX [DVD] / DTV/CBL / V-AUX / DVR / VCR DVD / [DTV/CBL] / V-AUX / DVR / VCR DVD / DTV/CBL / V-AUX / [DVR] / VCR PHONO / CD / [MD/CD-R] / DVD / DTV/CBL / V-AUX / VCR / DVR PHONO / CD / MD/CD-R / [DVD] / DTV/CBL / V-AUX / VCR / DVR PHONO / CD / MD/CD-R / DVD / [DTV/CBL] / V-AUX / VCR / DVR PHONO / [CD] / MD/CD-R / DVD / DTV/CBL / V-AUX / VCR / DVR PHONO / CD / MD/CD-R / [DVD] / DTV/CBL / V-AUX / VCR / DVR PHONO / CD / [MD/CD-R] / DVD / DTV/CBL / V-AUX / VCR / DVR [DVD] / DTV/CBL / V-AUX / DVR / VCR DVD / [DTV/CBL] / V-AUX / DVR / VCR XM (U, C models) / TUNER / PHONO / CD / MD/CD-R / DVD / DTV/CBL / VCR / DVR / V-AUX / DOCK / MULTI CH
	2 INPUT MENU	H) HDMI SET I) EXTD SURROUND (J model)		
		A) I/O ASSIGN	CD / MD/CD-R / DVD / DTV/CBL / V-AUX / DVR BGV : LAST INPUT CH : 6CH FRONT : DVD VIDEO CONVERSION : ON HDMI UP-SCALING : THRGH HDMI ASPECT RATIO : DIMMER : 0 OSD SHIFT : 0 OSD-SOURCE : 30s OSD-AMP : 30s FL SCROLL : CONT MEMORY GUARD : OFF C) AUDIO SELECT D) PARAM INI	[AUTO] / LAST [AUTO] / DTS / AAC (J model) DVD / DTV/CBL / V-AUX / DVR / VCR / [LAST] / OFF [6CH] / 8CH CD / MD/CD-R / [DVD] / DTV/CBL / V-AUX / DVR / VCR [ON] / OFF [THRGH] (through) / 480p(or 576p) / 1080i / 720p [THROUGH] / 16:9 NORMAL / SMART ZOOM -4 to [0], 1 step -5 to +5; [0], 1step 10 s / [30 s] / OFF 10 s / [30 s] / OFF [CONT] / ONCE [OFF] / ON [AUTO] / LAST CLASSICAL / LIVE/CLUB / ENTERTAINMENT / MOVIE / STEREO / SUR. DECODE / ENHANCER [+16.5 dB] / +10.0 dB / +5.0 dB / 0 dB / -5.0 dB / -10.0 dB / -15.0 dB / -20.0 dB / -25.0 dB / -30.0 dB [OFF] / -80.0 dB to +16.5 dB, 0.5 dB step [NONE] / 0 % to 100 %, 1 % step [AUTO] / OFF
		B) INPUT RENAME		Input is possible to 8 characters / 8文字まで入力可能 Input possible Character type / 入力可能文字: Capital / 英大文字 "A to Z", Small / 英小文字 "a to z", Figure / 数字 "0 to 9", Space / 空白, Marks / 記号 "# * , - . / : < > ?"
		C) VOLUME TRIM		XM (U, C models) / TUNER / PHONO / CD / MD/CD-R / DVD / DTV/CBL / VCR / DVR / V-AUX / DOCK / MULTI CH -6.0 dB to +6.0 dB, [0.0 dB], 1 dB step [AUTO] / LAST
		D) DECODER MODE		[AUTO] / DTS / AAC (J model)
		E) MULTI CH SET		DVD / DTV/CBL / V-AUX / DVR / VCR / [LAST] / OFF [6CH] / 8CH CD / MD/CD-R / [DVD] / DTV/CBL / V-AUX / DVR / VCR
	3 OPTION MENU	A) DISPLAY SET		[ON] / OFF [THRGH] (through) / 480p(or 576p) / 1080i / 720p [THROUGH] / 16:9 NORMAL / SMART ZOOM -4 to [0], 1 step -5 to +5; [0], 1step 10 s / [30 s] / OFF 10 s / [30 s] / OFF [CONT] / ONCE [OFF] / ON [AUTO] / LAST CLASSICAL / LIVE/CLUB / ENTERTAINMENT / MOVIE / STEREO / SUR. DECODE / ENHANCER [+16.5 dB] / +10.0 dB / +5.0 dB / 0 dB / -5.0 dB / -10.0 dB / -15.0 dB / -20.0 dB / -25.0 dB / -30.0 dB [OFF] / -80.0 dB to +16.5 dB, 0.5 dB step [NONE] / 0 % to 100 %, 1 % step [AUTO] / OFF
		B) MEMORY GUARD		[OFF] / ON
		C) AUDIO SELECT		[AUTO] / LAST
		D) PARAM INI		CLASSICAL / LIVE/CLUB / ENTERTAINMENT / MOVIE / STEREO / SUR. DECODE / ENHANCER [+16.5 dB] / +10.0 dB / +5.0 dB / 0 dB / -5.0 dB / -10.0 dB / -15.0 dB / -20.0 dB / -25.0 dB / -30.0 dB [OFF] / -80.0 dB to +16.5 dB, 0.5 dB step [NONE] / 0 % to 100 %, 1 % step [AUTO] / OFF
		E) ZONE 2 SET		[+16.5 dB] / +10.0 dB / +5.0 dB / 0 dB / -5.0 dB / -10.0 dB / -15.0 dB / -20.0 dB / -25.0 dB / -30.0 dB [OFF] / -80.0 dB to +16.5 dB, 0.5 dB step [NONE] / 0 % to 100 %, 1 % step [AUTO] / OFF
		F) XM RADIO SET		[NONE] / 0 % to 100 %, 1 % step [AUTO] / OFF
		G) DOCK SET		[AUTO] / OFF
SIGNAL INFO	1 AUDIO INFO.	1 FORMAT (Signal format)	Analog / PCM / DolbyD / DTS / AAC (J model) / Digital / --- / ??? xxx kHz	
		2 SAMPLING	3/2/0.1 (Front/Surround/LFE) / 1+1 xxx kbps	
		3 CHANNEL	DolbyD / DTS / PCM / None	
		4 B.RATE (Bit rate)	Analog / HDMI	
		5 FLAG	480i / 480p / 720p / 1080i / 1080p Device Over / HDCP Error / Out of Res.	
	2 VIDEO INFO.	1 HDMI SIGNAL		
		2 HDMI RES.		
		3 HDMI ERROR		

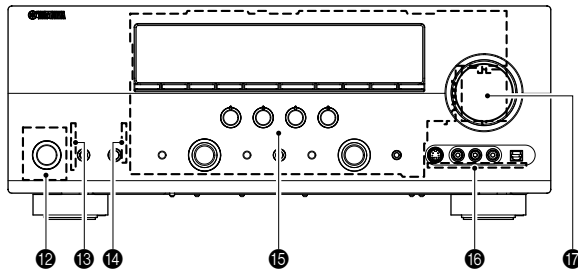
INTERNAL VIEW

• Top view



- ① POWER TRANSFORMER
- ② FUNCTION (4) P.C.B.
- ③ FUNCTION (5) P.C.B.
(R, L models)
- ④ VIDEO P.C.B.
- ⑤ AM / FM TUNER
(U, C, R, T, K, A, G, E, L, J models)
- ⑥ FUNCTION (1) P.C.B.
- ⑦ HDMI P.C.B.
- ⑧ DSP P.C.B.
- ⑨ FUNCTION (2) P.C.B.
- ⑩ MAIN (1) P.C.B.
- ⑪ FUNCTION (3) P.C.B.

• Front view



- ⑫ OPERATION (2) P.C.B.
- ⑬ OPERATION (5) P.C.B.
(RX-V861 / HTR-6080: G model)
- ⑭ OPERATION (3) P.C.B.
- ⑮ OPERATION (1) P.C.B.
- ⑯ OPERATION (4) P.C.B.
- ⑰ OPERATION (6) P.C.B.

DISASSEMBLY PROCEDURES / 分解手順

(Remove parts in the order as numbered.)

Disconnect the power cable from the AC outlet.

1. Removal of Top Cover

- Remove 4 screws (①), 4 screws (②) and screw (③). (Fig. 1)
- Slide the top cover rearward to remove it. (Fig. 1)

2. Removal of Front Panel Unit

- Remove 2 knobs. (Fig. 1)
- Remove screw (④) and then remove the support top. (Fig. 1)
- Remove 6 screws (⑤). (Fig. 1)
- Remove the front panel unit. (Fig. 1)

3. Removal of Sub Chassis Unit

- Remove 2 push rivets (⑥). (Fig. 1)
- Remove the plate side L/R. (Fig. 1)
- Remove 2 screws (⑦). (Fig. 1)
- Remove CB46, CB63, CB201, CB221, CB301 and CB452. (Fig. 1)
- Remove the sub chassis unit. (Fig. 1)

(番号順に部品を取り外してください。)

AC電源コンセントから、電源コードを抜いてください。

1. トップカバーの外し方

- ①のネジ4本、②のネジ4本、③のネジ1本を外します。(Fig. 1)
- トップカバーを後方へスライドさせ、取り外します。(Fig. 1)

2. フロントパネルユニットの外し方

- ノブを2個取り外します。(Fig. 1)
- ④のネジ1本を外し、サポートトップを取り外します。(Fig. 1)
- ⑤のネジ6本を外します。(Fig. 1)
- フロントパネルユニットを取り外します。(Fig. 1)

3. サブシャーシユニットの外し方

- ⑥のプッシュリベット2本を外します。(Fig. 1)
- プレートサイドL/Rを取り外します。(Fig. 1)
- ⑦のネジ2本を外します。(Fig. 1)
- CB46、CB63、CB201、CB221、CB301、CB452を外します。(Fig. 1)
- サブシャーシユニットを取り外します。(Fig. 1)

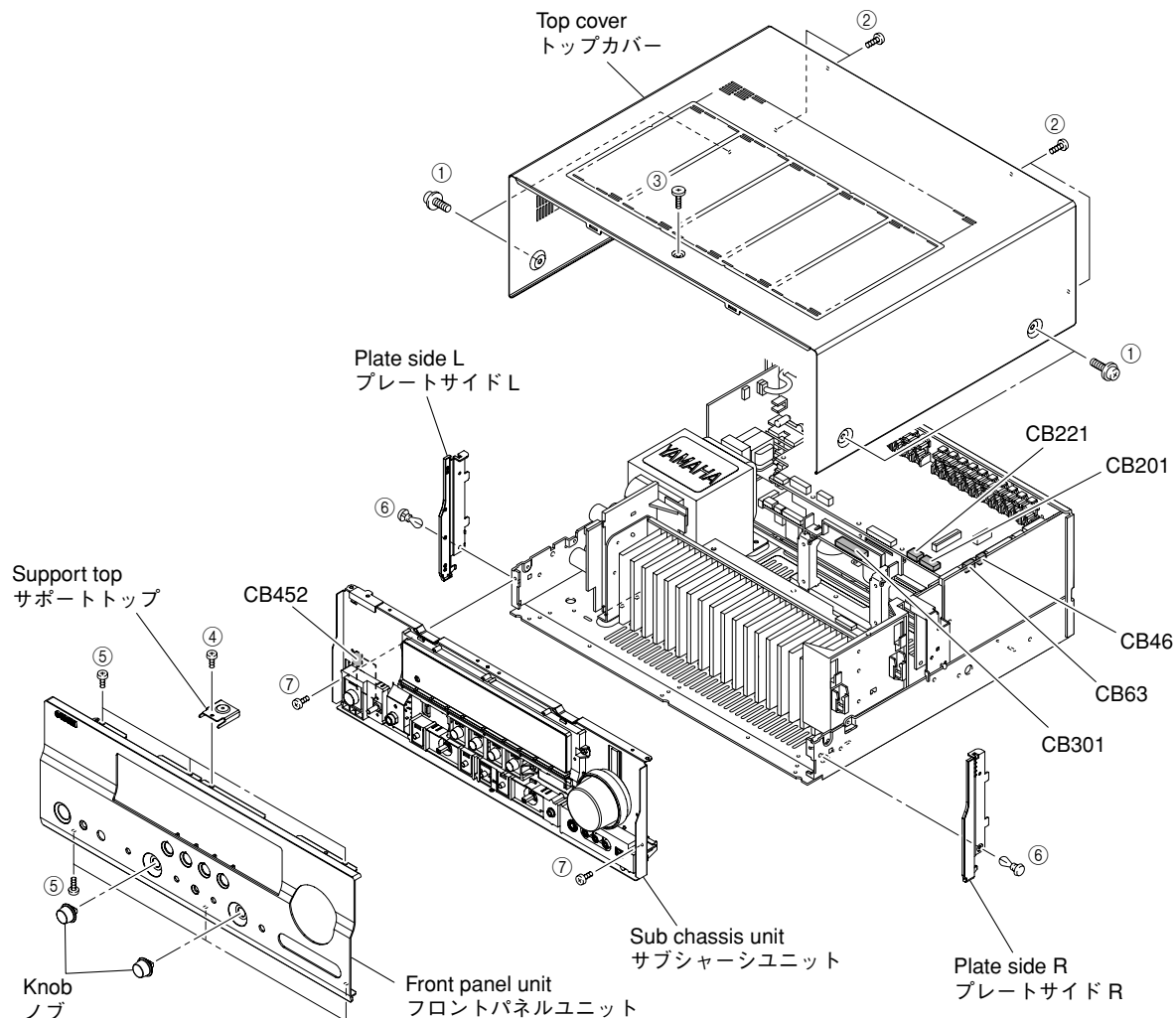


Fig. 1

4. Removal of DSP and HDMI P.C.B.s

- a. Remove screw (⑧) and 2 screws (⑨). (Fig. 2)
- b. Remove support PCB-DH. (Fig. 2)
- c. Remove 7 screws (⑩). (Fig. 3)
- d. Remove CB43, CB47, CB49, CB61 and CB62. (Fig. 2)
- e. Remove the DSP P.C.B.. (Fig. 2)
- f. Remove 5 screws (⑪). (Fig. 3)
- g. Remove CB5-7. (Fig. 2)
- h. Remove the HDMI P.C.B.. (Fig. 2)

4. DSP、HDMI P.C.B.の外し方

- a. ⑧のネジ1本、⑨のネジ2本を外します。(Fig. 2)
- b. サポートPCB-DHを取り外します。(Fig. 2)
- c. ⑩のネジ7本を外します。(Fig. 3)
- d. CB43、CB47、CB49、CB61-62を外します。(Fig. 2)
- e. DSP P.C.B.を取り外します。(Fig. 2)
- f. ⑪のネジ5本を外します。(Fig. 3)
- g. CB5-7を外します。(Fig. 2)
- h. HDMI P.C.B.を取り外します。(Fig. 2)

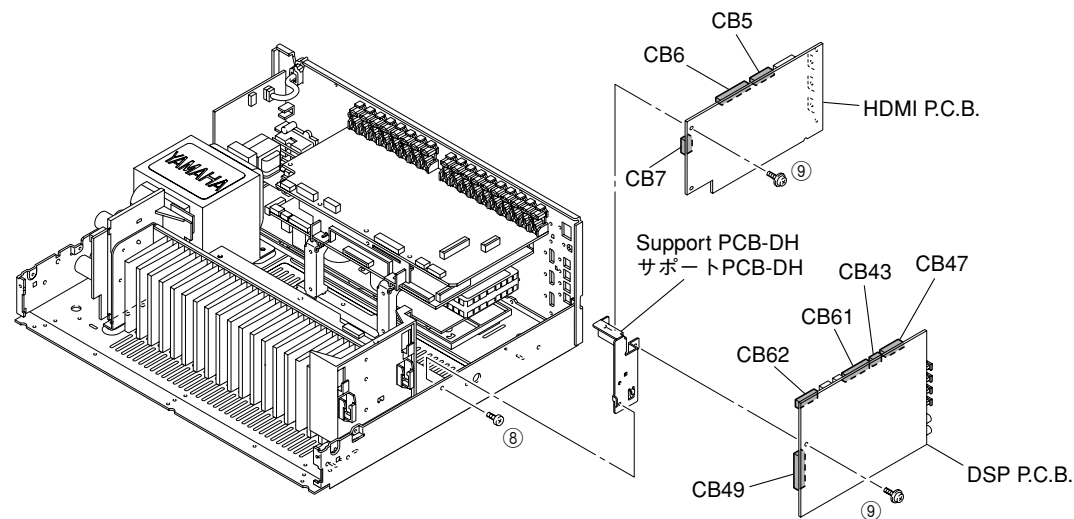


Fig. 2

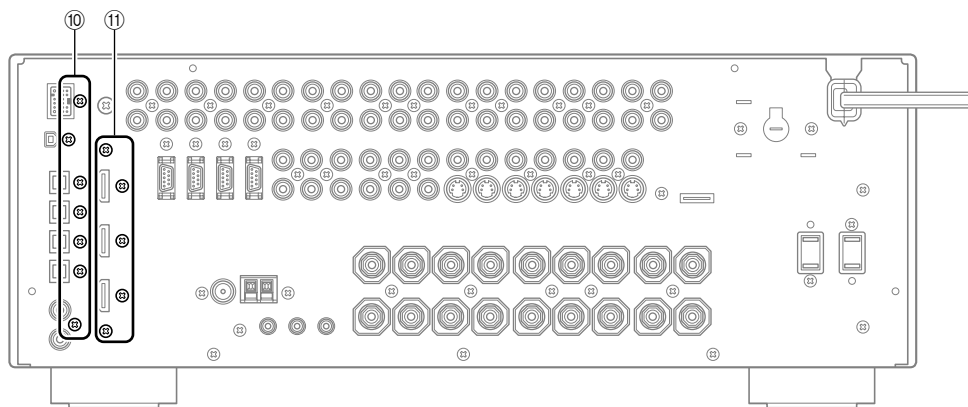


Fig. 3

RX-V861/HTR-6080/DSP-AX861SE/DSP-AX861

When checking the P.C.B.:

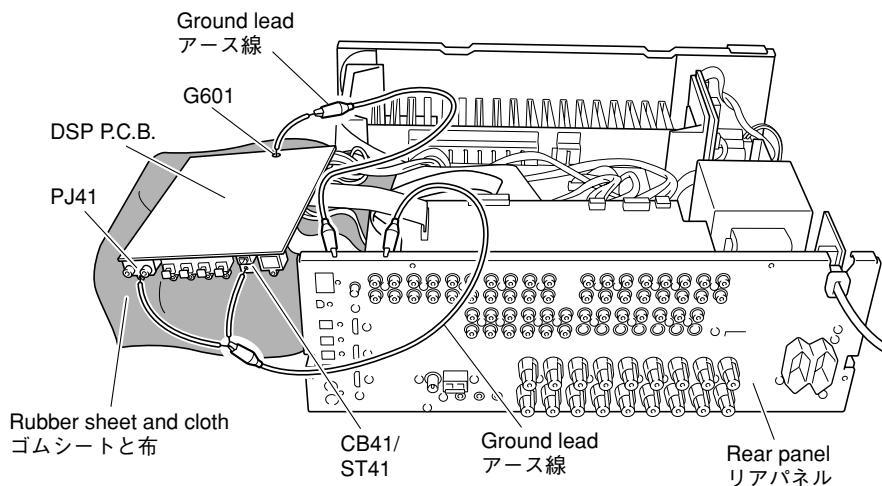
- Put the rubber sheet and cloth over the equipment. Then place the DSP P.C.B. upside down on the cloth and check it. (Fig. 4)
 - Reconnect all cables (connectors) that have been disconnected.
 - When connecting the flexible flat cable, be careful with polarity.
 - In this unit, the ground of P.C.B.s shown below is connected to the rear panel and chassis. When DSP P.C.B. is removed from the rear panel and chassis, connect the ground point to the rear panel or chassis, using a ground lead or such. (Fig. 4)
- DSP P.C.B.: G601 (Ground)
 DSP P.C.B.: PJ41 (COAXIAL IN)
 DSP P.C.B.: CB41/ST41 (XM: U, C models / Ground:
 R, T, K, A, B, G, E, L models)

P.C.B.チェックをする場合には：

- 本機の上にゴムシートと布を敷き、その上にDSP P.C.B.を裏返しに置いてチェックします。(Fig. 4)
- 外したケーブル(コネクタ)をすべて接続します。
- カード電線を接続する際、極性に注意してください。
- 本機ではP.C.B.のアースがリアパネルおよびシャーシに接続されています。

DSP P.C.B.をリアパネルおよびシャーシより取り外した場合、リード線等でアースポイントをリアパネルまたはシャーシに接続してください。(Fig. 4)

DSP P.C.B. : G601 (Ground)
 DSP P.C.B. : PJ41 (COAXIAL IN)
 DSP P.C.B. : CB41/ST41 (Ground)

**Fig. 4**

5. Removal of FUNCTION (1) P.C.B.

- a. Remove 2 screws (12). (Fig. 5)
- b. Remove 10 screws (RX-V861 / HTR-6080: G model / DSP-AX861SE) / 9 screws (HTR-6080: U, C models) (13). (Fig. 6)
- c. Remove CB202, CB206, CB231, CB232 and CB242 (U, C, R, T, K, A, G, E, L models). (Fig. 5)
- d. Remove the FUNCTION (1) P.C.B. together with artbase FU. (Fig. 5)

* When installing the FUNCTION (1) P.C.B., be sure to pass the flexible flat cable between CB206 (FUNCTION (1) P.C.B.) and CB307 (VIDEO P.C.B.) through the hole in the artbase FU before connecting it. (Fig. 7)

5. FUNCTION(1)P.C.B.の外し方

- a. ⑫のネジ2本を外します。(Fig. 5)
- b. ⑬のネジ9本を外します。(Fig. 6)
- c. CB202、CB206、CB231、232、CB242を外します。(Fig. 5)
- d. FUNCTION(1)P.C.B. をアートベースFUと一緒に取り外します。(Fig. 5)

※ FUNCTION(1)P.C.B.を取り付ける場合は、必ずCB206 (FUNCTION(1)P.C.B.)-CB307 (VIDEO P.C.B.)間のカード電線をアートベースFUの開口穴に通してから接続してください。(Fig. 7)

6. Removal of VIDEO P.C.B.

- a. Remove 9 screws (14). (Fig. 6)
- b. Remove CB303-305 and CB351. (Fig. 5)
- c. Remove the VIDEO P.C.B.. (Fig. 5)

6. VIDEO P.C.B.の外し方

- a. ⑭のネジ13本を外します。(Fig. 6)
- b. CB303-305、CB351を外します。(Fig. 5)
- c. VIDEO P.C.B.を取り外します。(Fig. 5)

7. Removal of AM/FM Tuner (U, C, R, T, K, A, G, E, L models)

- a. Remove 2 screws (15). (Fig. 6)
- b. Remove the AM/FM tuner. (Fig. 5)

7. AM/FMチューナーの外し方

- a. ⑮のネジ2本を外します。(Fig. 6)
- b. AM/FMチューナーを取り外します。(Fig. 5)

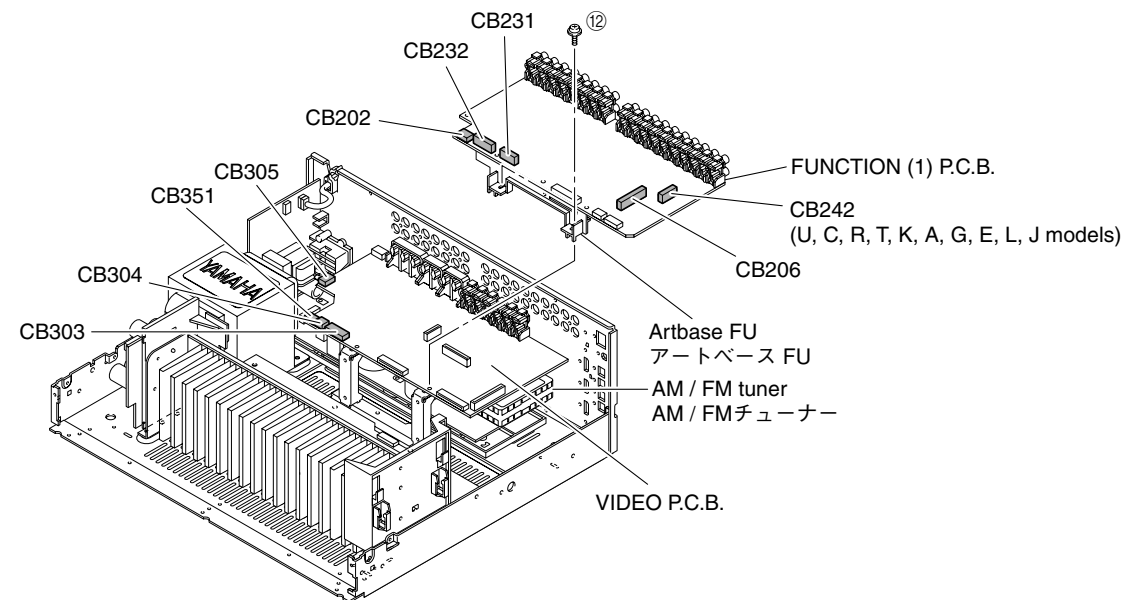


Fig. 5

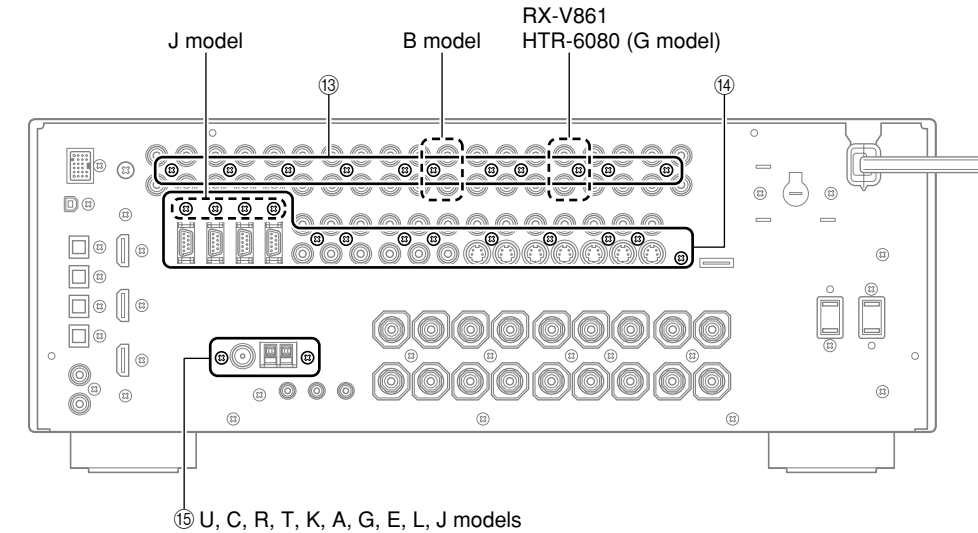


Fig. 6

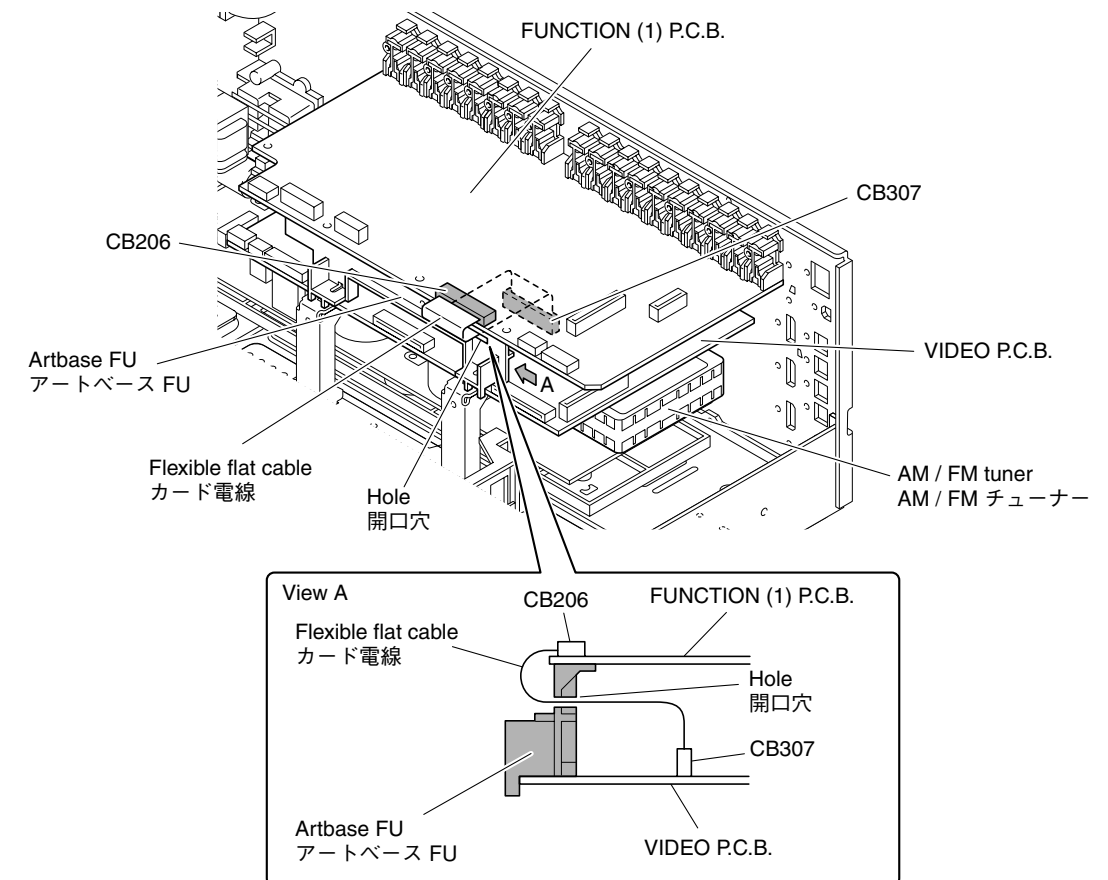


Fig. 7

8. Removal of Amp Unit

- a. Remove screw (16) and screw (17). (Fig. 6)
- b. Remove 3 screws (18). (Fig. 9)
- c. Remove CB100, CB101, CB258, CB263, CB254 (R, L models) and CB255 (R, L models). (Fig. 8)
- d. Remove the MAIN (2), FUNCTION (4) and (5) (R, L models) P.C.B.s together with rear panel. (Fig. 8)
- e. Remove 2 screws (19). (Fig. 8)
- f. Remove CB251 and CB252. (Fig. 8)
- g. Remove 2 hooks and then remove FUNCTION (3) P.C.B.. (Fig. 8)
- h. Remove 2 screws (20) and then remove 2 support PCB-VI. (Fig. 8)
- i. Remove 2 screws (21). (Fig. 10)
- * Screws (21) are identified with arrow marks (=>).
- j. Remove 3 screws (22). (Fig. 8)
- k. Remove the MAIN (1) and FUNCTION (2) P.C.B.s together with heat sink. (Fig. 8)

8. アンプユニットの外し方

- a. 16のネジ1本、17のネジ1本を外します。(Fig. 6)
- b. 18のネジ3本を外します。(Fig. 9)
- c. CB100、CB101、CB258、CB263を外します。(Fig. 8)
- d. MAIN(2)、FUNCTION(4) P.C.B.をリアパネルと一緒に取り外します。(Fig. 8)
- e. 19のネジ2本を外します。(Fig. 8)
- f. CB251、CB252を外します。(Fig. 8)
- g. フック2ヶ所を外し、FUNCTION(3) P.C.B.を取り外します。(Fig. 8)
- h. 20のネジ2本を外し、サポートPCB-VIを2個取り外します。(Fig. 8)
- i. 21のネジ2本を外します。(Fig. 10)
- * 取り外す21のネジには矢印(=>)が印刷されています。
- j. 22のネジ3本を外します。(Fig. 8)
- k. MAIN(1)、FUNCTION(2) P.C.B.をヒートシンクと一緒に取り外します。(Fig. 8)

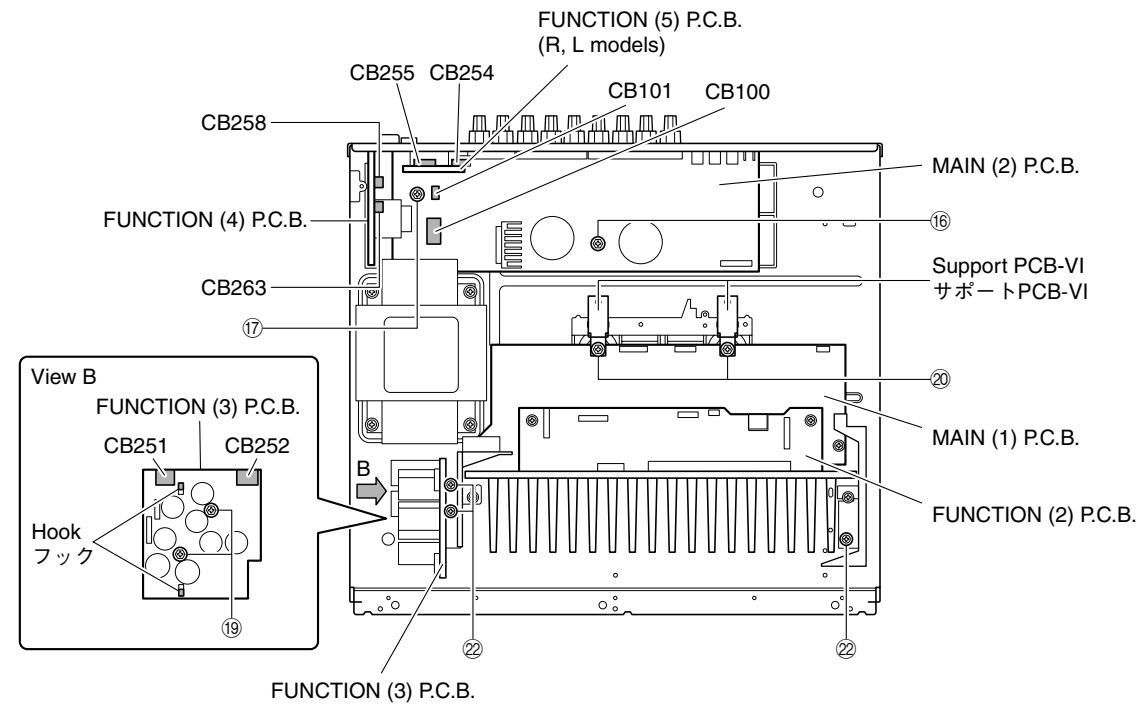


Fig. 8

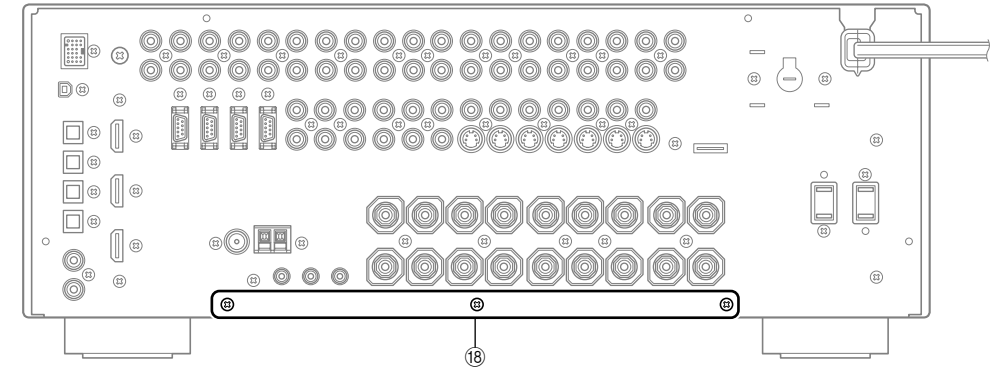


Fig. 9

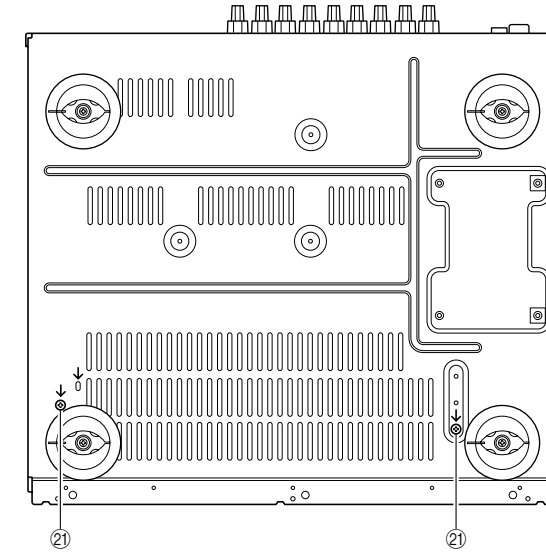


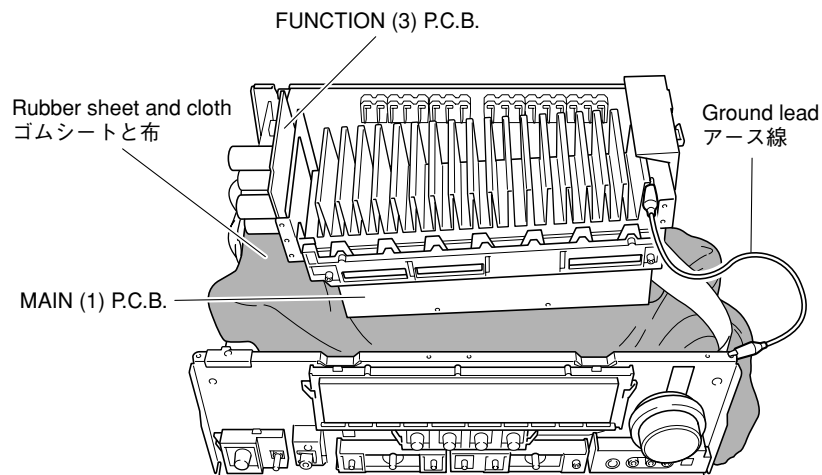
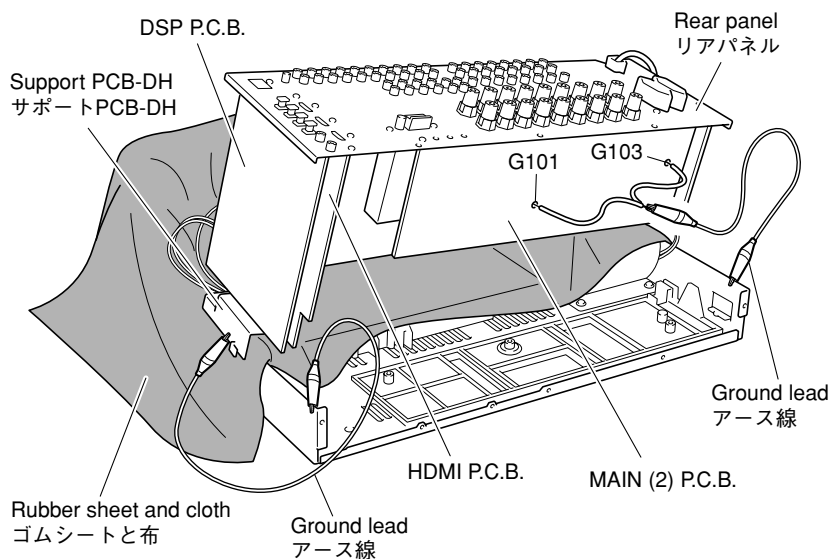
Fig. 10

When checking the P.C.B.:

- Put the rubber sheet and cloth over the equipment. Then place the each amp unit upside down on the cloth and check it. (Fig. 11)
 - Reconnect all cables (connectors) that have been disconnected.
 - When connecting the flexible flat cable, be careful with polarity.
 - In this unit, the ground of P.C.B.s shown below is connected to the rear panel and chassis. When these P.C.B.s are removed from the rear panel and chassis, connect the ground point to the rear panel or chassis, using a ground lead or such. (Fig. 11)
- MAIN (2) P.C.B.: G101 (Ground)
MAIN (2) P.C.B.: G103 (Ground)

P.C.B.チェックをする場合には：

- 本機の上にゴムシートと布を敷き、その上に各アンプユニットを裏返しに置いてチェックします。(Fig. 11)
 - 外したケーブル(コネクタ)をすべて接続します。
 - カード電線を接続する際、極性に注意してください。
 - 本機ではP.C.B.のアースがリアパネルおよびシャーシに接続されています。これらのP.C.B.をリアパネルおよびシャーシより取り外した場合は、リード線等でアースポイントをリアパネルまたはシャーシに接続してください。(Fig. 11)
- MAIN (2) P.C.B. : G101 (Ground)
MAIN (2) P.C.B. : G103 (Ground)

Front view**Rear view****Fig. 11**

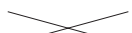




■ UPDATING FIRMWARE / ファームウェアの書き込み

After replacing the DSP P.C.B., VIDEO P.C.B. and micro-processor (IC301) on the VIDEO P.C.B. with the replacement parts, update the firmware according to the following procedure.

* The TI flash ROM (IC51) on the DSP P.C.B. is not supplied as a replacement part.

● Required tools

- Windows 98/2000/Me/XP, PC with a serial port (RS232C)
- Firmware downloader program
FlashSta.exe (Ver. 2.0): for microprocessor
DSP_FLASHER.exe (Ver. 2.41): for DSP (TI flash ROM)
- Firmware
For microprocessor:
Vx61_xxxx.mot
Vx61_xxxx.id
For DSP (TI flash ROM):
Vx61data1_Verxx_xxx.hex
- RS232C cross cable "D-sub 9 pin female" (Specifications)

Pin No.2 RxD		Pin No.2 RxD
Pin No.3 TxD		Pin No.3 TxD
Pin No.5 GND		Pin No.5 GND
Pin No.7 RTS		Pin No.7 RTS
Pin No.8 CTS		Pin No.8 CTS
- RS232C conversion adapter (Part No. AAX77610)
- Flexible Flat Cable 9P, 250mm, P=1.25 (Part No. MF109250)

● Preparation and precautions before starting the operation

- Download firmware upgrading program and firmware from the specified source to the same folder of the PC.
- Prepare the above specified RS232C cross cable.
- While writing, keep the other application software on the PC closed.
It is also recommended to keep the software on the task tray closed as well.

● Operation Procedures

Writing to the microprocessor





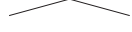
- Writing firmware
 - Turn off the power of main unit and disconnect the power cable from the AC outlet.
 - Set the switch (SW301) of RS232C conversion adapter to the "FLASH UCOM" side. (Fig. 1)

DSP P.C.B.、VIDEO P.C.B.およびVIDEO P.C.B.のマイコン(IC301)をサービス部品に交換した場合、下記の手順によりファームウェアの書き込みを行ってください。

※ DSP P.C.B.のTI flash ROM(IC51)はサービス部品として供給できません。

● 必要なツール

- Windows 98/2000/Me/XP、シリアルポート (RS232C)付きPC
- ファームウェア書き込み用プログラム
FlashSta.exe (Ver. 2.0) : マイコン用
DSP_FLASHER.exe (Ver. 2.41) : DSP (TI flash ROM)用
- ファームウェア
マイコン用:
Vx61_xxxx.mot
Vx61_xxxx.id
DSP (TI flash ROM)用:
Vx61data1_Verxx_xxx.hex
- RS232Cクロスケーブル"D-sub 9pin"メス (仕様)

Pin No.2 RxD		Pin No.2 RxD
Pin No.3 TxD		Pin No.3 TxD
Pin No.5 GND		Pin No.5 GND
Pin No.7 RTS		Pin No.7 RTS
Pin No.8 CTS		Pin No.8 CTS
- RS232C変換アダプター (部品番号: AAX77610)
- カード電線 9P、250mm、P=1.25 (部品番号: MF109250)

● 操作前の準備と注意

- PCへ指定のダウンロード先からファームウェアアップグレードプログラムおよび、ファームウェアを同じフォルダにダウンロードしてください。
- RS232Cクロスケーブルは必ず上記仕様のもを用意してください。
- 書き込み時は、PC上の他のアプリケーションソフトは閉じてください。
さらに、タスクトレイ上にあるソフトも閉じておくことを推奨します。

● 操作手順

マイコンへの書き込み

- ファームウェアの書き込み
 - 本機の電源を切り、電源コードをACコンセントから抜きます。
 - RS232C変換アダプターのスイッチ(SW301)を"FLASH UCOM"側に設定します。(Fig.1)

3. Connect the writing port of the main unit to the serial port (RS232C) of the PC with RS232C cross cable, RS232C conversion adapter and flexible flat cable as shown below. (Fig. 1)

3. 本機の書き込み用ポートとPCのシリアルポート (RS232C) を下記のように接続します。(Fig. 1)

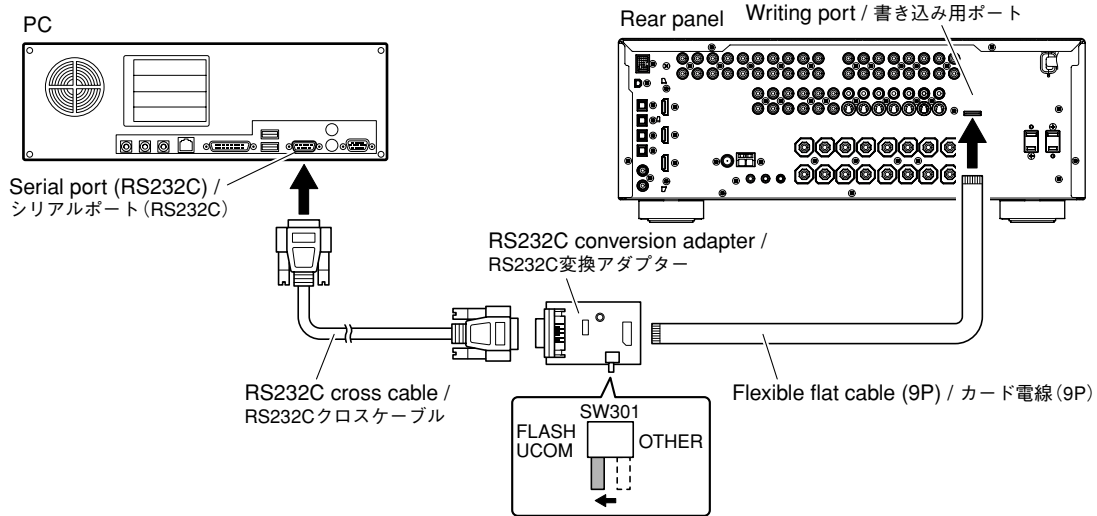
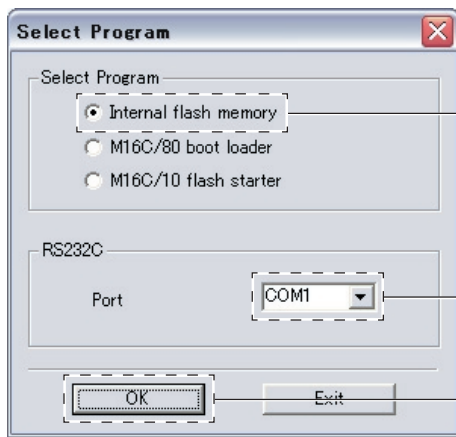


Fig. 1

4. Reconnect the power cable of main unit to the AC outlet.
5. Start up "FlashSta.exe".
"Select Program" is displayed. (Fig. 2)

4. 本機の電源コードをACコンセントに接続します。
5. "FlashSta.exe"を起動します。
"Select Program"が表示されます。(Fig. 2)



Select "Inter flash memory".
"Inter flash memory"を選択します。

Select the serial port of the PC connected to the main unit.
本機と接続されているPCのシリアルポートを選択します。

When the [OK] button is pressed, "ID Check" is displayed.
[OK]ボタンを押すと、"ID Check"が表示されます。

Fig. 2

6. Select Program: "Inter flash memory", RS232C Port: "COM x (serial port of the PC connected to the main unit)". (Fig. 2)
7. After confirming settings, press the [OK] button.
"ID Check" is displayed. (Fig. 3)

6. Select Program : "Inter flash memory"、RS232C Port : "COM x (本機と接続されているPCのシリアルポート)"を選択します。(Fig. 2)
7. 設定確認後、[OK]ボタンを押します。(Fig. 2)
"ID Check"が表示されます。(Fig. 3)

RX-V861/HTR-6080/DSP-AX861SE/
DSP-AX861

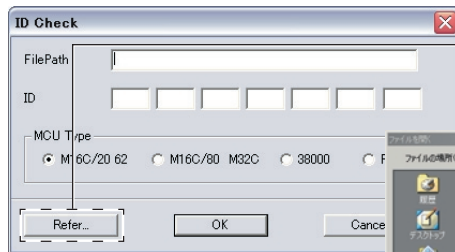
- * **When the “Timeout” error is displayed:**
Press the [Cancel] button and check the following items again.
 - a. Is the power cable of the main unit connected to the AC outlet?
 - b. Reconnect cables, etc. being used in Step 3 of the operation procedure and start “Flash Sta.exe” again.

- ※ “Timeout”エラーが表示された場合
[キャンセル]ボタンを押し下記項目を再度確認します。
 - a. 本機の電源コードがACコンセントに接続されているか?
 - b. 操作手順3で使用しているケーブル等を接続し直し、再度“FlashSta.exe”を起動する。

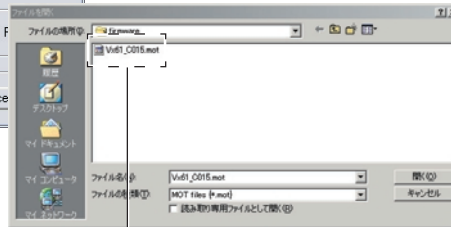


8. Press the [Refer...] button and select “Vx61_xxx.mot”. (Fig. 3)
9. After selecting MCU Type: “M16C/80 M32C”, press the [OK] button. (Fig. 3)
“M16C Flash Start” is displayed. (Fig. 4)

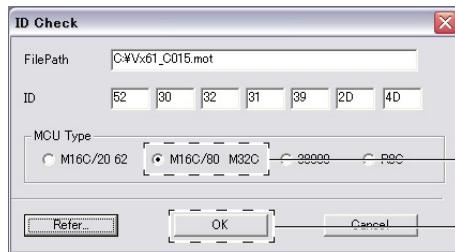
8. [Refer...]ボタンを押し、“Vx61_xxxx.mot”を選択します。(Fig. 3)
9. MCU Type：“M16C/80 M32C”を選択後、[OK]ボタンを押しします。(Fig. 3)
“M16C Flash Start”が表示されます。(Fig. 4)



When the [Refer...] button is pressed, the “Open File” screen is displayed.
[Refer...]ボタンを押すと、“ファイルを開く”画面が表示されます。



Select the firmware “Vx61_xxxx.mot”.
ファームウェア“Vx61_xxxx.mot”を選択します。



Select “M16C/80 M32C”.
“M16C/80 M32C”を選択します。
When the [OK] button is pressed, “M16C Flash Start” is displayed.
[OK]ボタンを押すと、“M16C Flash Start”が表示されます。

Fig. 3

10. Press the [E.P.R...] button, and “Erase OK?” is displayed. (Fig. 4)
Press the [OK] button and start writing. (Fig. 4)
11. When writing is completed, “Program Finished” is displayed. (Fig. 4)
Press the [OK] button. (Fig. 4)
12. Disconnect the power cable of main unit from the AC outlet.
13. End “FlashSta. exe.”
14. Disconnect the RS232C cross cable, RS232C conversion adapter and flexible flat cable.

10. [E. P. R...]ボタンを押すと、“Erase OK?”が表示されます。(Fig. 4)
[OK]ボタンを押し、書き込みを開始します。(Fig. 4)
11. 書き込み完了後、“Program Finished”が表示されます。(Fig. 4)
[OK]ボタンを押します。(Fig. 4)
12. 本機の電源コードをACコンセントから抜きます。
13. “FlashSta.exe”を終了します。
14. RS232Cクロスケーブル、RS232C変換アダプター、カード電線を取り外します。

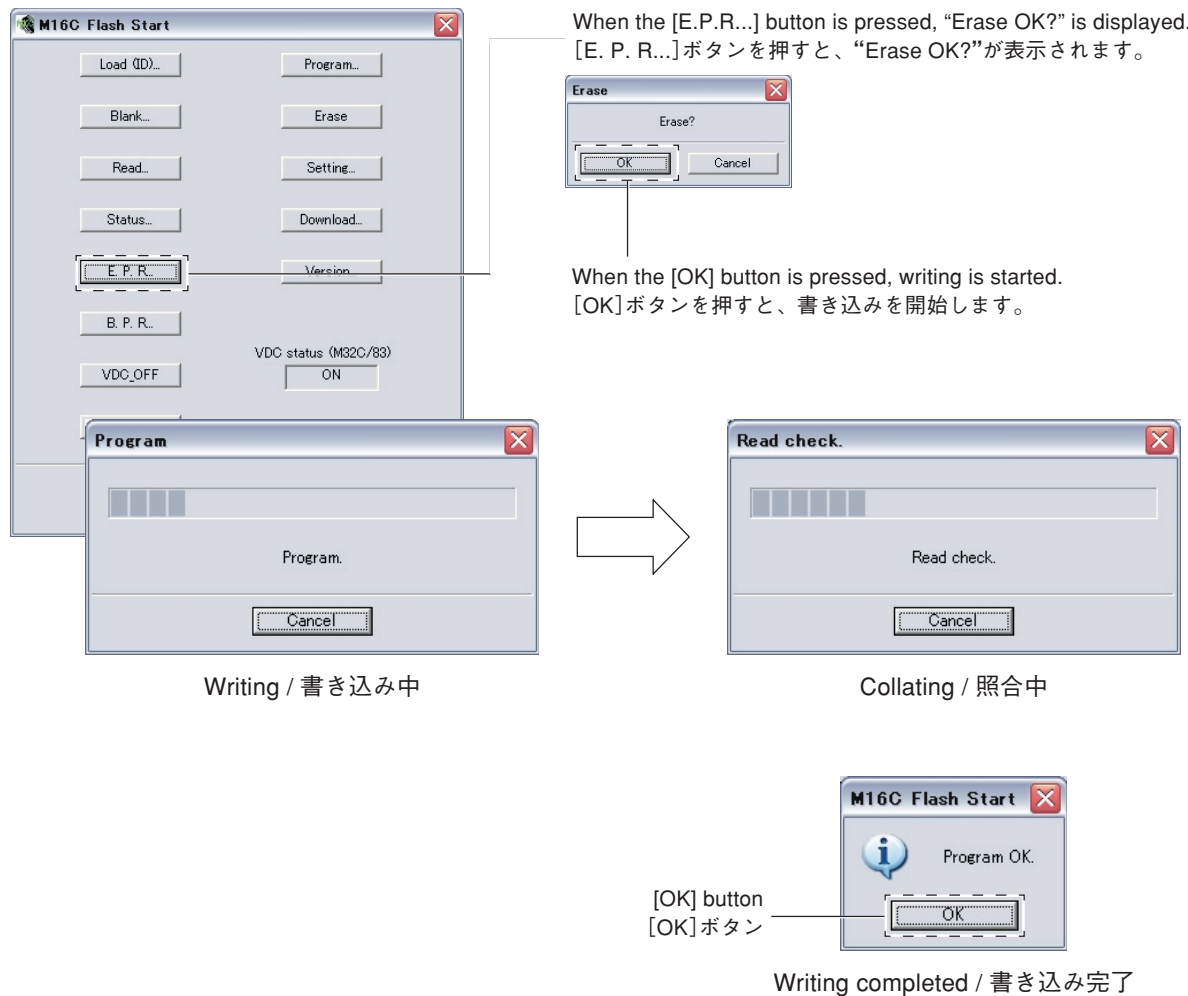


Fig. 4

- **Confirmation of firmware version and checksum**
Confirm the firmware is updated successfully with the DIAG function.
For more information, refer to “SELF DIAGNOSIS FUNCTION (DIAG)”.

- ファームウェアのバージョンおよびチェックサムの確認
ダイアグメニューでファームウェアが正しく更新されたことを確認します。
ダイアグメニューの詳細は「自己診断(ダイアグ)」を参照してください。

1. Reconnect the power cable of main unit to the AC outlet.
2. Press the "MASTER ON/OFF" (RX-V861 / HTR-6080: G model) / "STANDBY/ON" (HTR-6080: U, C models / DSP-AX861SE / DSP-AX861) key while simultaneously pressing the "STRAIGHT" and "AUDIO SELECT" keys. (Fig. 5)
Then the DIAG function is activated.
3. Select the DIAG menu "23-1. Version".
Check the displayed firmware version is the same as the written firmware version. (Fig. 5)
Firmware: Vx61_xxxx.mot

1. 本機の電源コードをACコンセントに接続します。
2. "STRAIGHT"キーと"AUDIO SELECT"キーを押しながら、"STANDBY/ON"キーを押し、ダイアグを起動します。(Fig. 5)
3. DIAG"23-1. Version"を選択します。
表示されたファームウェアのバージョンが書き込んだファームウェアのバージョンと同じであることを確認します。(Fig. 5)
Firmware : Vx61_xxxx.mot

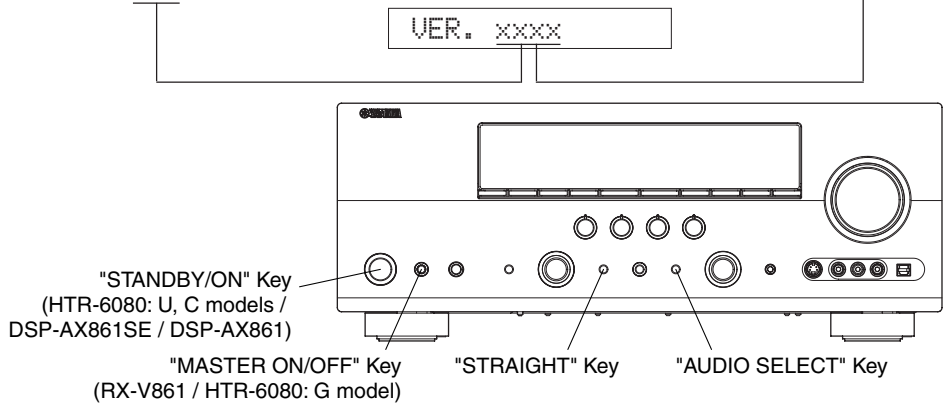


Fig. 5

4. Select the DIAG menu "23-2. All checksum".
Check the displayed checksum is the same as the written firmware checksum.
Checksum: xxxx (The checksum value is found where downloading is specified to.)

4. DIAG"23-2. All checksum"を選択します。
表示されたチェックサムが書き込んだファームウェアのチェックサムと同じであることを確認します。
Checksum : xxxx (チェックサム値は指定ダウンロード先に記載されています。)



* When the displayed firmware version and checksum are different from written firmware version and checksum, follow the steps from 1 to 11 of writing microprocessor again.

※ 表示されたファームウェアのバージョンおよびチェックサムが、書き込んだファームウェアのバージョン、およびチェックサムと異なる場合、マイコンの書き込みの1から11までをもう一度実施してください。

• **Initializing of the main unit**

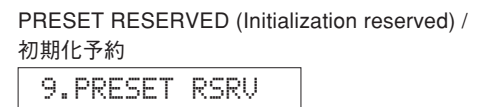
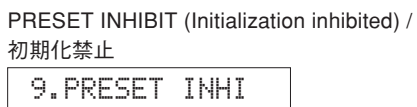
- * After updating the firmware, be sure to initialize the main unit.

 1. Connect the power cable of main unit to the AC outlet.
 2. Press the "MASTER ON/OFF" (RX-V861 / HTR-6080: G model) / "STANDBY/ON" (HTR-6080: U, C models / DSP-AX861SE / DSP-AX861) key while simultaneously pressing the "STRAIGHT" and "AUDIO SELECT" keys. (Fig. 5)
Then the DIAG function is activated.
 3. Select the DIAG menu "9. FACTORY PRESET".
 4. Select the "PRESET RSRV".

• **本機の初期化**

- ※ ファームウェアのアップデート後は、必ず本機を初期化してください。

 1. 本機の電源コードをACコンセントに接続します。
 2. "STRAIGHT"キーと"AUDIO SELECT"キーを押しながら、"STANDBY/ON"キーを押し、ダイアグを起動します。(Fig. 5)
 3. DIAG"9. FACTORY PRESET"を選択します。
 4. "PRESET RSRV"を選択します。



5. Turn off the power of main unit and disconnect the power cable from the AC outlet.

5. 本機の電源を切り、電源コードをACコンセントから抜きます。

Writing to DSP

1. Turn off the power of main unit and disconnect the power cable from the AC outlet.
2. Set the switch (SW301) of RS232C conversion adapter to the "OTHER" side. (Fig. 6)
3. Connect the writing port of the main unit to the serial port (RS232C) of the PC with RS232C cross cable, RS232C conversion adapter and flexible flat cable as shown below. (Fig. 6)

DSPへの書き込み

1. 本機の電源を切り、電源コードをACコンセントから抜きます。
2. RS232C変換アダプターのスイッチ(SW301)を"OTHER"側に設定します。(Fig. 6)
3. 本機の書き込み用ポートとPCのシリアルポート(RS232C)を下記のように接続します。(Fig. 6)

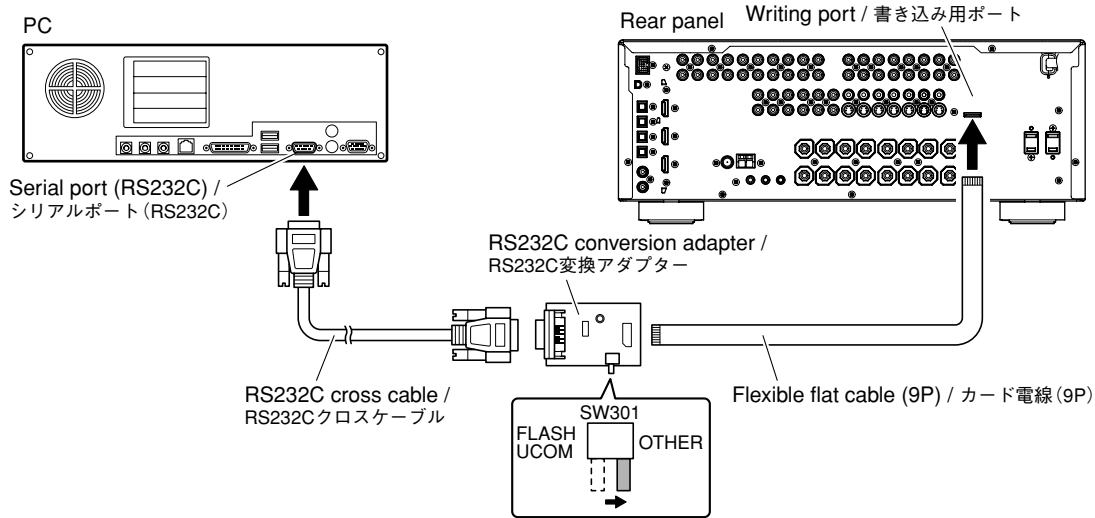


Fig. 6

4. Start up "DSP_FLASHER.exe". Then the screen shown below is displayed. (Fig. 7)
5. Press the [...] button and select "Vx61 data 1_Verxx_xxx.hex". (Fig. 7)

4. DSP_FLASHER.exeを起動します。すると下記画面が表示されます。(Fig. 7)
5. [...]ボタンを押し、“Vx61data1_Verxx_xxx.hex”を選択します。(Fig. 7)

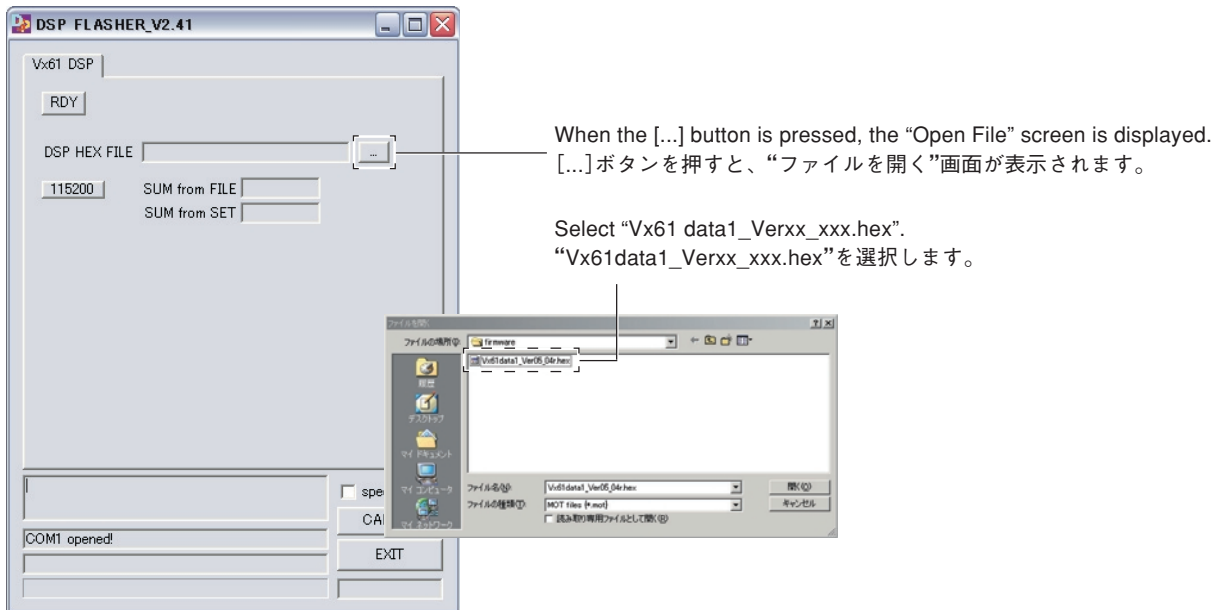


Fig. 7

6. Press the [RDY] button to reserve writing. (Fig. 8)

6. [RDY]ボタンを押し、書き込みの予約をします。(Fig. 8)

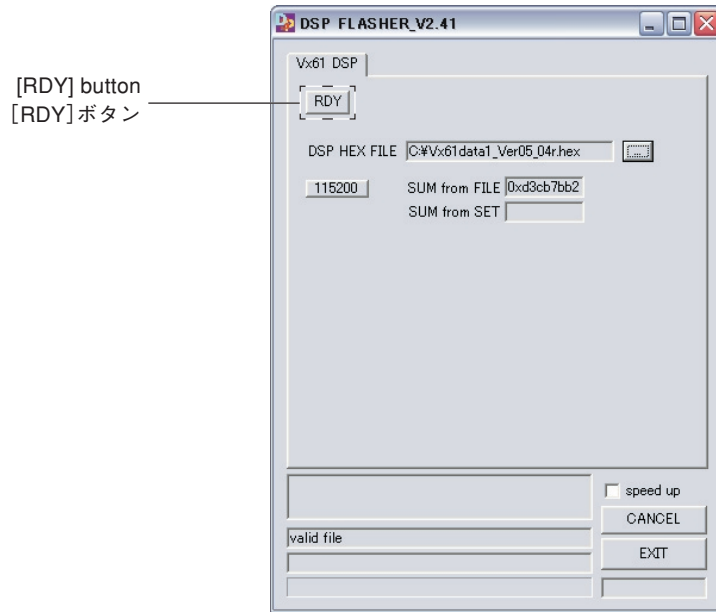


Fig. 8

7. Reconnect the power cable of main unit to the AC outlet.
8. Press the “MASTER ON/OFF” (RX-V861 / HTR-6080: G model) / “STANDBY/ON” (HTR-6080: U, C models / DSP-AX861SE / DSP-AX861) key while simultaneously pressing “STRAIGHT” and “AUDIO SELECT” keys of the main unit. Then the DIAG function is activated. (Fig. 5)
9. Select the DIAG menu “24. TI BOOT ?”.
10. Press the “STRAIGHT” key of the main unit and start writing.

7. 本機の電源コードをACコンセントに接続します。
8. 本機の“STRAIGHT”キーと“AUDIO SELECT”キーを押しながら、“STANDBY/ON”キーを押し、ダイアグを起動します。(Fig. 5)
9. DIAG“24. TI BOOT ?”を選択します。
10. 本機の“STRAIGHT”キーを押し、書き込みを開始します。

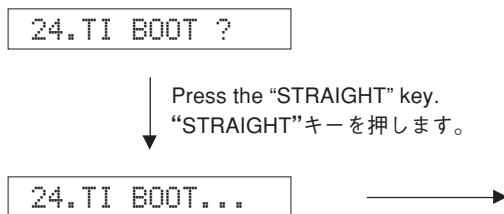


Fig. 9

11. When writing is completed, "Vx61 DSP Flash finished!" is displayed. (Fig. 10)
 - * Then, check the version and checksum of the firmware without turning off the power of the main unit.
12. Select the DIAG menu "23-5. TI FLASH version". (Fig. 10)

Check the displayed firmware version is the same as the written firmware version. (Fig. 10)
13. Select the DIAG menu "23-6. TI FLASH checksum". (Fig. 10)

Check the displayed checksum is the same as the written firmware checksum. (Fig. 10)

 - * When the displayed firmware version and checksum are different from written firmware version and checksum, follow the steps from 1 to 10 of writing firmware again.

11. 書き込み完了後、“Vx61 DSP Flash finished!”が表示されます。(Fig. 10)
 - ※ 続いて、本機の電源を切らずにファームウェアのバージョンおよびチェックサムの確認をします。
12. DIAG“23-5. TI FLASH version”を選択します。(Fig. 10)

表示されたファームウェアのバージョンが書き込んだファームウェアのバージョンと同じであることを確認します。(Fig. 10)
13. DIAG“23-6. TI FLASH checksum”を選択します。(Fig. 10)

表示されたチェックサムが書き込んだファームウェアのチェックサムと同じであることを確認します。(Fig. 10)

 - ※ 表示されたファームウェアのバージョンおよびチェックサムが、書き込んだファームウェアのバージョン、およびチェックサムと異なる場合、DSPの書き込みの1から10までをもう一度実施してください。

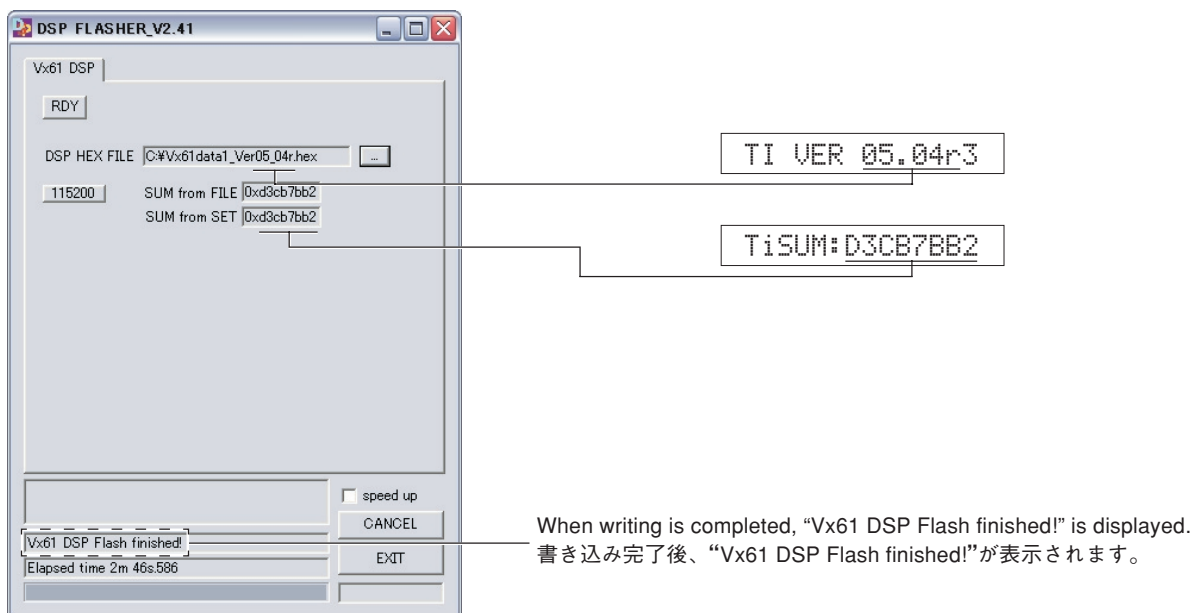


Fig. 10

14. End of "DSP_FLASHER.exe".
15. Disconnect the RS232C cross cable, RS232C conversion adapter and flexible flat cable.
 - * Then, initialize the main unit without turning off its power.
16. Select the DIAG menu "9. FACTORY PRESET".
17. Select the "PRESET RSRV".

14. "DSP_FLASHER.exe"を終了します。
15. RS232Cクロスケーブル、RS232C変換アダプター、カード電線を取り外します。
 - ※ 続いて、本機の電源を切らずに本機を初期化します。
16. DIAG“9. FACTORY PRESET”を選択します。
17. “PRESET RSRV”を選択します。

PRESET INHIBIT (Initialization inhibited) / 初期化禁止
 9. PRESET INHI



PRESET RESERVED (Initialization reserved) / 初期化予約
 9. PRESET RSRV

18. Turn off the power of main unit and disconnect the power cable from the AC outlet.

18. 本機の電源を切り、電源コードをACコンセントから抜きます。

■ SELF DIAGNOSIS FUNCTION (DIAG) / 自己診断機能 (ダイアグ)

This unit has self diagnosis functions that are intended for inspection, measurement and location of faulty point.

There are 24 DIAG menu items, each of which has sub-menu items.

Listed in the table below are menu items and sub-menu items.

Note that not all menu items listed will apply to the models covered in this service manual.

本機には、検査、測定、不良個所の発見を目的にした自己診断機能(ダイアグ)があります。

ダイアグメニューは24個あり、そのそれぞれにサブメニューがあります。

下表はダイアグメニュー一覧です。

下表の全ダイアグメニュー項目が、このサービスマニュアル記載のモデルに適用されるとは限りません。

No.	DIAG menu	Sub-menu
1	BYPASS	1. ANALOG BYPASS 2. DSP BYPASS
2	RAM THR	1. RAM MARGIN 2. RAM FULL BIT
3	HDMI AUDIO	1. SPDIF 2. Multi 3. DSD
4	SPEAKERS SET	1. FRONT : SML 0dB 2. CENTER : NONE 3. LFE/B : FRONT 4. PRESENCE Mix-P 5. PRESENCE Mix-F 6. Zone2 Amp ON 7. Bi-AMP 8. TONE : MAX 9. TONE : MIN
5	XCH-INPUT	1. 6ch INPUT 6ohms 2. 8ch INPUT 6ohms 3. 6ch INPUT 8ohms 4. 8ch INPUT 8ohms 5. LIMIT
6	MIC CHECK	1. MIC CHECK
7	FL/OSD CHECK	1. VFD CHECK / MONITOR OFF 2. VFD DISP OFF / MONITOR MUTE 3. VFD DISP ALL / OSD CHARACTERS PATTERN 4. VFD DIMMER / OSD CHARACTERS PATTERN 5. CHECK PATTERN / OSD CHARACTERS PATTERN
8	MANUAL TEST	1. TEST ALL
9	FACTORY PRESET	1. PRESET INHI 2. PRESET RSRV
10	A/D DATA CHECK	1. PS1, PS2 2. DC, TH 3. IMP, PL 4. K0, K1
11	VIDEO	1. I2C 2. DIGITAL COMPONENT 3. DIGITAL CVBS 4. DIGITAL Y/C 5. ANALOG BYPASS 6. TEST PATTERN 7. VIDEO INFORMATION
12	XM STATUS (U, C models)	1. 1k -1dB/44kHz 2. 1k -61dB/44kHz 3. MUTE/44kHz 4. XM TONE/44kHz 5. ISO TONE/44kHz 6. 1k -1dB/32kHz 7. 1k -61dB/32kHz 8. MUTE/32kHz 9. XM TONE/32kHz 10. ISO TONE/32kHz 11. BUS POWER : OFF
13	DOCK	1. DOCK CHECK
14	NET (Not applied to these models. / このモデルには適用されません。)	1. USB 1 / IP CHECK 2. USB 2 3. MAC ADDRESS CHECK
15	DAB (Not applied to these models. / このモデルには適用されません。)	1. SCAN / SCL 2. DLS 3. Signal Q

No.	DIAG menu	Sub-menu
16	HDMI INFORMATION	1. HMN 2. HPI 3. HVN
17	HDMI SELECT	1. HDMI NONE 2. HDMI IN 1 3. HDMI IN 2 4. HDMI UPCONV. 5. HDMI UP THR
18	IF STATUS	1. DST 2. DMD 3. DIF 4. PC 5. CS1 6. CS2 7. DEI 8. BS1 9. BS2 10. BS3 11. BS4 12. BS5 13. BS6 14. BS7 15. BS8 16. MTT 17. DGI
19	DSP BUS CHECK	1. TI (DSP) BUS
20	PROTECTION SETTING	1. PS1 Lo 2. PS1 Hi 3. PS2 Lo 4. PS2 Hi 5. DC Lo 6. DC Hi 7. TEMP 8. PL_8_M_L 9. PL_8_M_H 10. PL_8_N_L 11. PL_8_N_H 12. PL_6_M_L 13. PL_6_M_H 14. PL_6_N_L 15. PL_6_N_H
21	PROTECTION HISTORY	1. HISTORY 1 2. HISTORY 2 3. HISTORY 3 4. HISTORY 4
22	SOFT SWITCH	1. SW MODE 2. MODEL 3. DESTINATION 4. TUNER DESTINATION 5. TUNER TYPE 6. VIDEO FORMAT 7. ZONE2 8. AAC 9. TUNER 10. ZONE2 AMPLIFIER 11. OSD
23	ROM VER./SUM/PORT	1. VERSION 2. CHECK SUM 3. OPE/DSP/XM 4. PORT 5. TI VERSION 6. TI SUM 7. EEPROM SUM (Not applied to these models./ このモデルには適用されません。)
24	UPDATE	1. TI BOOT?

● Starting DIAG

Note) Before activating the DIAG function, set the sound field program on the main unit to any setting item other than “2ch Stereo”.
If setting is at “2ch Stereo” when the DIAG function is activated, “SURROUND BACK L/R” and “EXTRA SP L/R” may fail to turn on.

Press the “MASTER ON/OFF” (RX-V861 / HTR-6080: G model) / “STANDBY/ON” (HTR-6080: U, C models / DSP-AX861SE / DSP-AX861) key while simultaneously pressing those two keys of the main unit as indicated in the figure below.

Keys of main unit / 本機キー

RX-V861 / HTR-6080 (G model)



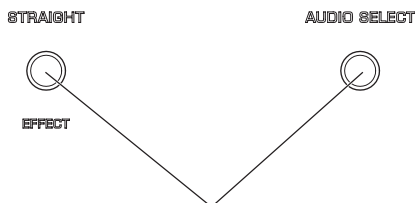
HTR-6080 (U, C models) /
DSP-AX861SE / DSP-AX861



● ダイアグの起動

注) ダイアグを起動する前に、本機の音場プログラムを“2ch Stereo”以外にしてください。
“2ch Stereo”設定のままダイアグを起動すると、スピーカー出力“SURROUND BACK L/R”、“EXTRA SP L/R”がオンできなくなる場合があります。

本機の下図に示すキーを同時に押しながら“STANDBY/ON”キーを押すと、ダイアグが起動します。



Turn on the power while pressing these keys. /
これらのキーを同時に押しながら、電源オンする。

● Starting DIAG in the protection cancel mode

If the protection function works and causes hindrance to trouble diagnosis, cancel the protection function as described below, and it will be possible to enter the DIAG mode. (The protection functions other than the excess current detect function will be disabled.)

Press the “MASTER ON/OFF” (RX-V861 / HTR-6080: G model) / “STANDBY/ON” (HTR-6080: U, C models / DSP-AX861SE / DSP-AX861) key while simultaneously pressing those two keys indicated in the figure above. At this time, keep pressing those two keys for 3 seconds or longer.

In this mode, the [SLEEP] segment of the FL display of the main unit flashes to indicate that the mode is DIAG mode with the protection functions disabled.

CAUTION!

Using this product with the protection function disabled may cause damage to the main unit. Use special care for this point when using this mode.

● プロテクション解除モードでの起動

プロテクションが動作することにより、故障箇所の診断に支障をきたすような場合は、次の方法によりプロテクションを解除した状態でダイアグモードに入ることができます。(過電流検出以外のプロテクション動作を解除する)

上図のキーを同時に押しながら“STANDBY/ON”キーを押します。このとき、上図のキーを3秒以上押し続けてください。

このモードでは本機FLの「SLEEP」セグメントが点滅し、プロテクションを解除した状態でのダイアグモードであることを知らせます。

注意!

プロテクション解除モードでの起動は、危険な状態でもプロテクションが作動しないため、動作させると本機を破壊することがあります。

このモードを使用する場合は十分注意してください。

● **Canceling DIAG**

1. Before canceling DIAG, execute setting for FACTORY PRESET of DIAG menu No. 9 (Memory initialization inhibited or Memory initialized).
 - * In order to keep the user memory stored, be sure to select PRESET INHIBITED (Memory initialization inhibited).
2. Turn off the power by pressing the “MASTER ON/OFF” (RX-V861 / HTR-6080: G model) / “STANDBY/ON” (HTR-6080: U, C models / DSP-AX861SE / DSP-AX861) key of the main unit.

● **Display provided when DIAG started**

When the monitor is connected, DIAG menu appears on its screen as shown in the figure.

```

1.BYPASS
2.RAM THR
3.HDMI AUDIO
4.SPEAKERS SET
5.XCH-INPUT
5.MIC CHECK
7.FL/OSD CHECK
8.MANUAL TEST
9.FACTORY PRESET
10.A/D DATA CHECK
11.VIDEO
12.XM STATUS
13.DOCK
14.NET
15.DAB
16.HDMI INFORMATION
17.HDMI SELECT
18.IF STATUS
19.DSP BUS CHECK
20.PROTECTION SETTING
21.PROTECTION HISTORY
22.SOFT SWITCH
23.ROM VER./SUM/PORT
24.UPDATE
    
```

● **ダイアグの解除**

1. ダイアグを解除する前に、ダイアグメニューNo. 9 FACTORY PRESET(メモリーの初期化禁止/またはメモリーの初期化)の設定をします。
 - ※ ユーザーメモリーを保持したい場合は、必ず PRESET INHIBITED(メモリー初期化禁止)を選択してください。
2. 本機の“STANDBY/ON”キーを押し、電源オフします。

● **ダイアグ起動時の表示**

モニターを接続してある場合は、モニターの画面に下図のようにダイアグメニューが表示されます。

On the FL display of the main unit, an opening message (including the version and the protection history) appears for a few seconds followed by the DIAG menu display (1. ANALOG BYPASS).

本機のFLディスプレイには、オープニング(プロテクション履歴/バージョン)が表示され、数秒後にダイアグメニュー表示(1. ANALOG BYPASS)となります。

When there is no history of protection function:

プロテクション履歴が無い場合：

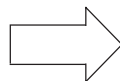
Opening message / オープニング表示

DIAG menu display / ダイアグメニュー表示

When there is no protection history
プロテクション履歴が無い場合

After a few seconds / 数秒後

NO PROTECT G



1. ANALOG BYPAS

Version (1 alphabet)
バージョン(英1文字)

**When there is a history of protection function:
When there is a history of protection function due to excess current**

**プロテクション履歴がある場合：
過電流によるプロテクション履歴がある場合**

```
I PROTECT G
```

Cause: An excessive current flowed through the power amplifier.

Supplementary information:
As current of the power amplifier is detected, the abnormal channel can be identified by checking the current detect transistor. Turning on the power without correcting the abnormality will cause the protection function to work immediately and the power supply will instantly be shut off.

原因： パワーアンプに過電流が流れた。
補足： パワーアンプの電流を検出していますので、電流検出トランジスタをチェックすれば異常チャンネルが特定できます。異常状態のまま電源オンすると、瞬時にプロテクションがかかり、すぐに電源が切れます。

Note)

- Applying the power to the main unit without correcting the abnormality can be dangerous and cause additional circuit damage. To avoid this, if protection function has been activated 3 times continuously, the power will not turn on even when the “MASTER ON/OFF” (RX-V861 / HTR-6080: G model) / “STANDBY/ON” (HTR-6080: U, C models / DSP-AX861SE) key is pressed. In order to turn on the power again, disconnect the power cable of the main unit from the AC outlet once and then reconnect it again.
- The output transistors in each amplifier channel should be checked for damage before applying power of the main unit.
- Amplifier current should be monitored by measuring DC voltage across the emitter resistors for each channel.

注意！

- 異常状態のまま本機の電源を入れると、危険な状態になり、さらに回路が損傷を受ける原因になります。そのため連続してプロテクションが働いた場合、3回目から“STANDBY/ON”キーを押しても電源が入りません。再度電源を入れる場合、一度本機の電源コードをAC電源コンセントから抜いて接続し直してください。
- 本機の電源をいれる前に、各アンプのチャンネル内の出力トランジスタに損傷がないかチェックしてください。
- アンプの電流は、各チャンネルのエミッターの抵抗器間電圧を測定することによりモニターしてください。

When there is a history of protection function due to abnormal DC output

DC出力異常によるプロテクション履歴がある場合

```
PS1 PRT:xxx G or PS2 PRT:xxx G
```

Cause: DC output of the power amplifier is abnormal.
Supplementary information:
The protection function worked due to a DC voltage appearing at the speaker terminal. A cause could be a defect in the amplifier. If the power is turned on with the abnormality unsolved, the protection function works in about 3 seconds to turn off the power.

原因： パワーアンプのDC出力が異常。
補足： アンプの故障でスピーカー端子に直流電圧が掛かるなどが原因で、プロテクションが働いたことを示します。異常状態のままパワーオンすると、約3秒後にプロテクションが掛かり、電源が切れます。

When there is a history of protection function due to abnormal voltage in the power supply section

電源部の電圧異常によるプロテクション履歴がある場合

DC PRT :xxx G

Cause: The voltage in the power supply section is abnormal.**原因:** 電源部の電圧が異常。**補足:** 電源電圧による原因で、プロテクションが働いたことを示します。**Supplementary information:**

The protection function worked due to a defect or overload in the power supply.

If the power is turned on with the abnormality unsolved, the protection function works in about 1 second to turn off the power.

異常状態のままパワーオンすると、約1秒後にプロテクションが掛かり、電源が切れません。

When there is a history of protection function due to excessive heat sink temperature

ヒートシンクの異常温度によるプロテクション履歴がある場合

TMP PRT:xxx G

Cause: The temperature of the heat sink is excessive.**原因:** ヒートシンクの温度が異常。**Supplementary information:**

The protection function worked due to the temperature limit being exceeded.

Causes could be poor ventilation or a defect related to the thermal sensor.

補足: 温度制限を越えた原因で、プロテクションが働いたことを示します。

If the power is turned on with the abnormality unsolved, the protection function works in about 1 second to turn off the power.

異常状態のままパワーオンすると、約1秒後にプロテクションが掛かり、電源が切れます。

For detection of each protection function, refer to DIAG menu described later.

各プロテクションの検出に関しては、後述のダイアグメニューを参照してください。

History of protection function**When the protection function has worked, its history is stored in memory with a backup.****Even if no abnormality is noted while servicing the unit, an abnormality which has occurred previously can be defined as long as the backup data has been stored.****The history of the protection function is cleared when DIAG is cancelled by selecting PRESET RESERVED (Memory initialized) of DIAG menu No. 9 or when the backup data is erased.****プロテクションの履歴**

プロテクションが働いた場合、履歴をバックアップして記憶しています。

サービスのときに異常が認められなくても、バックアップが残っていれば、お客様のところで起きた異常を区別できます。

ダイアグメニューNo. 9 PRESET RESERVED(メモリーの初期化)を選んでダイアグを解除した場合、またはバックアップが消えた場合にプロテクションの履歴はクリアされます。

● Display during menu operation

During the DIAG operation, the menu list described in the section of the startup screen appears on the monitor screen and the function at work is indicated on the FL indicator.

The contents displayed during the function operation are described later in the "Details of DIAG menu" section.

● メニュー動作中の表示

ダイアグ中、モニター画面には起動画面の項で説明したメニュー一覧が表示されます。

本機のFLディスプレイには動作中の機能が表示されます。

機能動作中の表示内容については、後述の機能詳細で記述します。

● **Operation procedure of DIAG menu and Sub-menu**

There are 24 menu items, each of having sub-menu items.

DIAG menu selection:

Select the menu using “PROGRAM” knob.

Sub-menu selection:

Select the sub-menu using “SCENE 2” (forward) / “SCENE 1” (reverse) keys or “PRESET/TUNING >” (forward) / “PRESET/TUNING <” (reverse) keys (U, C, R, T, K, A, G, E, L models).

● **ダイアグメニューとサブメニューの操作**

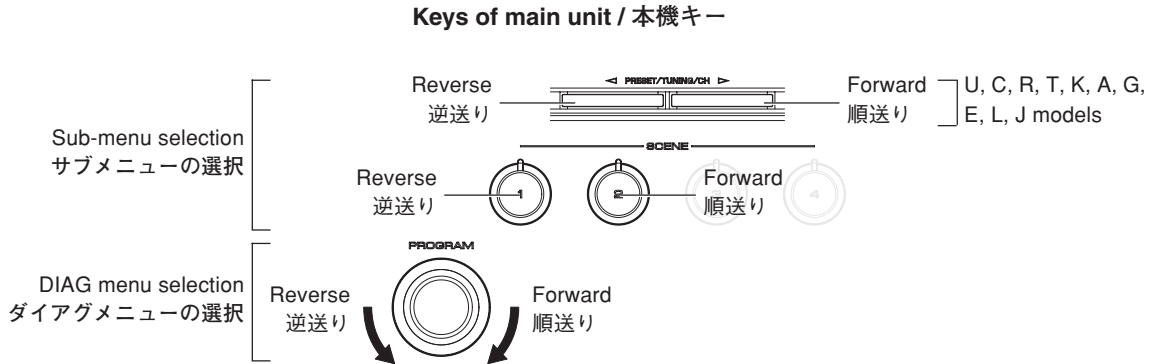
ダイアグにはNo. 1～24のメニューがあり、そのそれぞれにサブメニューがあります。

ダイアグメニューの選択:

“PROGRAM”ツマミで選択します。

サブメニューの選択:

“SCENE 2”(順送り)、“SCENE 1”(逆送り)キーまたは“PRESET/TUNING>”(順送り)、“PRESET/TUNING<”(逆送り)キーで選択します。



● **Functions in DIAG mode**

In addition to the DIAG menu items, functions as listed below are available.

- Power on/off
- Master volume
- Muting
- Speaker relay control of A and B
- Input selection
- Audio select
- Tone control
- * Functions related to the tuner and the set menu are not available.

● **ダイアグ中の機能**

ダイアグメニューの他に、以下の機能が動作します。

- パワーオン/オフ
- マスターボリューム
- ミューティング
- スピーカーリレーA、B
- インプットセレクト
- オーディオセレクト
- トーンコントロール
- ※ チューナー関連、セットメニュー関連は機能しません。

● **Initial settings used to start DIAG**

The following initial settings are used when starting DIAG.

When DIAG is canceled, these settings are restored to those before starting DIAG.

- Master volume: -20 dB
- Input: DVD (MULTI CHANNEL INPUT OFF)
- Effect level: 0 dB
- DIAG menu: 1. ANALOG BYPASS

● **ダイアグ開始時の初期設定**

ダイアグ開始時に以下のような設定になります。ダイアグ解除時にはダイアグ開始前の状態に戻ります。

- マスターボリューム：-20 dB
- インプット：DVD(マルチチャンネルINPUT オフ)
- エフェクトレベル：0 dB
- ダイアグメニュー：1. ANALOG BYPASS

● Details of DIAG menu

1. BYPASS

Using the sub-menu, it is possible to select ANALOG BYPASS output or DSP BYPASS output.

ANALOG BYPASS

The analog input audio signal is output to FRONT L/R by PURE DIRECT.

1. ANALOG BYPASS

INPUT: DVD ANALOG
SPEAKER OUT: 1 kHz, SUBWOOFER OUTPUT: 50 Hz

Input level	Volume	SPEAKER OUT				SUBWOOFER OUTPUT
		FRONT L/R	CENTER	SURROUND L/R	SURROUND BACK L/R	
Both ch, -20 dBm	+6.0 dB	+12.0 dBm	-∞	-∞	-∞	-∞

DSP BYPASS

The digital input audio signal is output to FRONT L/R by PURE DIRECT.

1. DSP BYPASS

INPUT: DVD ANALOG
SPEAKER OUT: 1 kHz, SUBWOOFER OUTPUT: 50 Hz

Input level	Volume	SPEAKER OUT				SUBWOOFER OUTPUT
		FRONT L/R	CENTER	SURROUND L/R	SURROUND BACK L/R	
Both ch, -20 dBm	+6.0 dB	+12.0 dBm	-∞	-∞	-∞	-∞

● ダイアグメニュー詳細

1. BYPASS

サブメニュー操作によりANALOG BYPASS/DSP BYPASSが選択可能です。

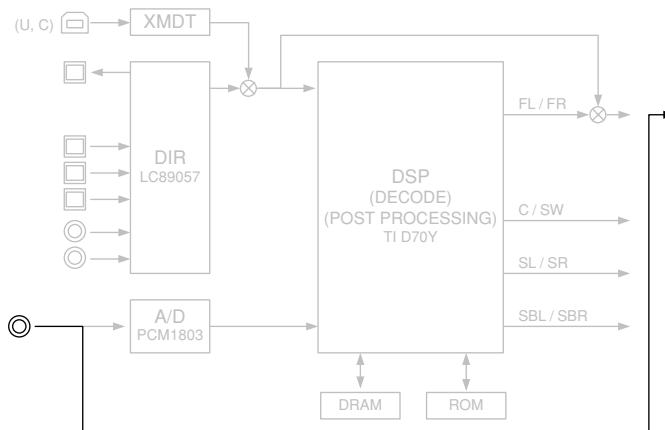
ANALOG BYPASS

アナログ入力の音声信号をPURE DIRECTでFRONT L/Rへ出力します。

DSP BYPASS

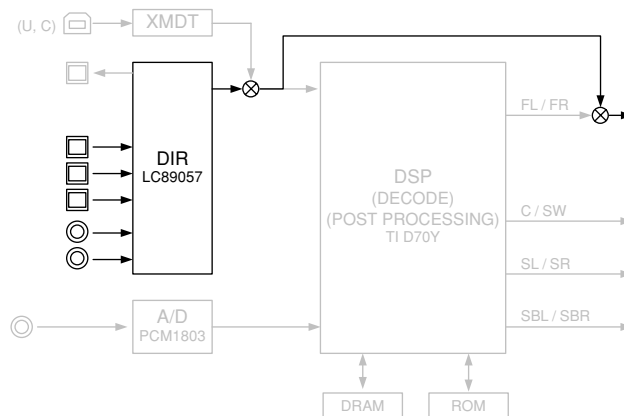
デジタル入力の音声信号をPURE DIRECTでFRONT L/Rへ出力します。

ANALOG BYPASS



(Shaded items not used in this example)

DSP BYPASS



(Shaded items not used in this example)

RX-V861/HTR-6080/DSP-AX861SE/
DSP-AX861

2. RAM THROUGH

Using the sub-menu, it is possible to select MARGIN output or FULL BIT output.

RAM MARGIN

The signal is output including the head margin.

2. RAM THROUGH

サブメニュー操作によりMARGIN/FULL BITが選択可能です。

RAM MARGIN

ヘッドマージンを含んで出力されます。

2. RAM MARGIN

FRONT L/R	CENTER	SURROUND L/R	SURROUND BACK L/R	SUBWOOFER
+9.0 dB	+13.5 dB	+9.0 dB	+7.5 dB	+21.0 dB

INPUT: DVD ANALOG

SPEAKER OUT: 1 kHz, SUBWOOFER OUTPUT: 50 Hz

Input level	Volume	SPEAKER OUT				SUBWOOFER OUTPUT
		FRONT L/R	CENTER	SURROUND L/R	SURROUND BACK L/R	
Both ch, -20 dBm	+6.0 dB	+12.0 dBm	+12.0 dBm	+12.0 dBm	+12.0 dBm	-7.0 dBm

RAM FULL BIT

The signal is output in digital full bit without including the head margin.

The SUBWOOFER signal is output but not in digital full bit.

RAM FULL BIT

ヘッドマージンを含まず、デジタルフルビットで出力されます。

SUBWOOFERは出力されますが、デジタルフルビットではありません。

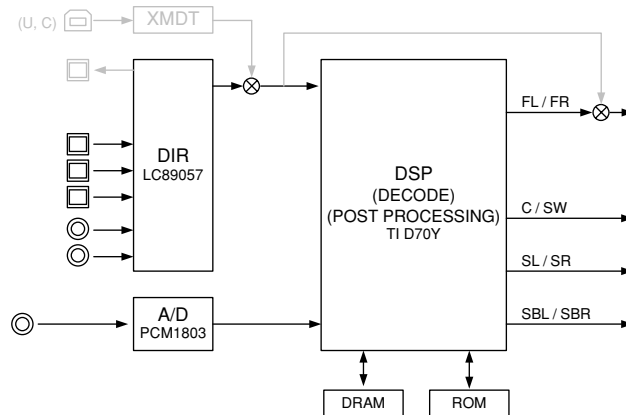
2. RAM FULL BIT

FRONT L/R	CENTER	SURROUND L/R	SURROUND BACK L/R	SUBWOOFER
0 dB	0 dB	0 dB	0 dB	+21.0 dB

INPUT: DVD ANALOG

SPEAKER OUT: 1 kHz, SUBWOOFER OUTPUT: 50 Hz

Input level	Volume	SPEAKER OUT				SUBWOOFER OUTPUT
		FRONT L/R	CENTER	SURROUND L/R	SURROUND BACK L/R	
Both ch, -20 dBm	+6.0 dB	+12.0 dBm	+12.0 dBm	+12.0 dBm	+12.0 dBm	-7.0 dBm



(Shaded items not used in this example)

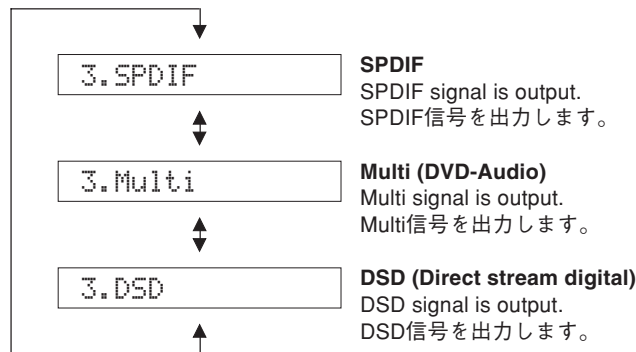
When input source is stereo, signal is assigned as below.
2 ch信号入力時、以下のように信号を振り分けて出力します。

- Front L → Center / Surround L / Surround Back L, R
- Front R → Surround R
- Front L +10 dB → SWFR

3. HDMI AUDIO

The audio signals input to HDMI IN are selected by the sub-menu and output.

- * When selecting “DSD” be sure to connect an HDMI unit with DSD output function.



3. HDMI AUDIO

HDMI INに入力された音声信号をサブメニューで選択し、出力します。

- ※“DSD”を選択する場合、必ずDSD出力が可能なHDMI機器を接続してください。

4. SPEAKER SET

Note) Before activating the DIAG function, set the sound field program on the main unit to any setting item other than “2 ch Stereo”.
If setting is at “2ch Stereo” when the DIAG function is activated, “SURROUND BACK L/R” and “EXTRA SP L/R” may fail to turn on.

The analog switch settings for each sub-menu are as shown in the table below.

	FRONT L/R	CENTER	SURROUND L/R	SURROUND BACK L/R	SUBWOOFER
FRNT : SML 0dB	SMALL	LARGE	LARGE	LARGE	SWFR
CENTER : NONE	LARGE	NONE	LARGE	LARGE	SWFR
LFE/B : FRNT	LARGE	SMALL	SMALL	SMALL	FRONT
Pres Mix-P	LARGE	LARGE	LARGE	LARGE	SWFR
Pres Mix-F	LARGE	LARGE	LARGE	LARGE	SWFR
Zone2 Amp ON	LARGE	LARGE	LARGE	NONE (*)	SWFR
Bi-AMP	LARGE	LARGE	LARGE	NONE	SWFR
TONE : MAX	LARGE	LARGE	LARGE	LARGE	SWFR
TONE : MIN	LARGE	LARGE	LARGE	LARGE	SWFR

(*) ZONE2 L/R (EXTRA SP L/R): LARGE

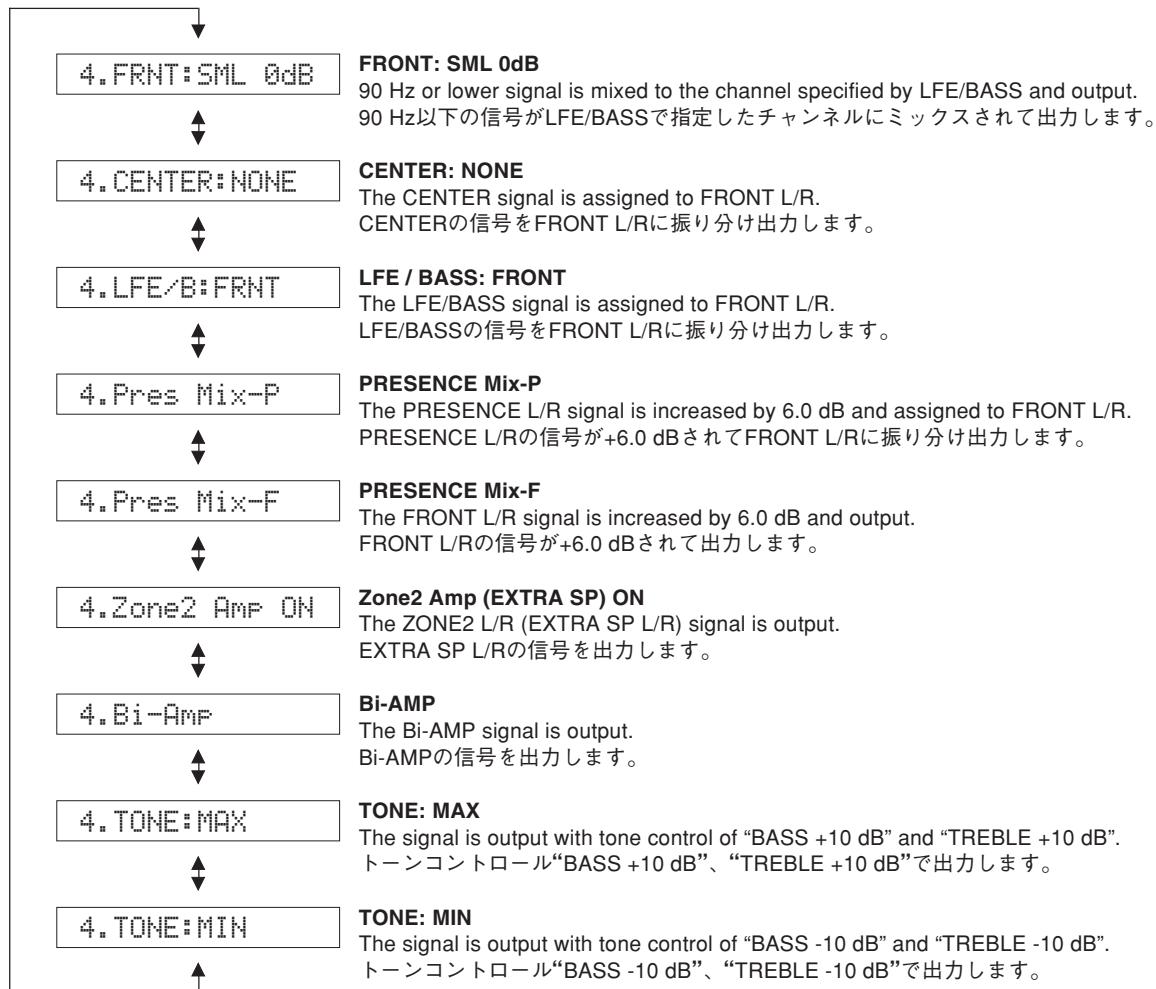
- LARGE:** This mode is used for a speaker with high bass reproduction performance (a large unit).
Full bandwidth signals are output.
- SMALL:** This mode is used for a speaker with low bass reproduction performance (a small unit).
The signals of 90 Hz or less are mixed into the channel specified by LFE/BASS.
- NONE:** This mode is used for no center speaker.
The center content is reduced by 3 dB and distributed to FRONT L/R.
- SWFR:** LFE of 5.1 ch signal or LFE/BASS lower than 90 Hz is output through SUBWOOFER OUT.
- FRONT:** LFE of 5.1 ch signal or LFE/BASS lower than 90 Hz is distributed to FRONT L/R.

4. SPEAKER SET

注) ダイアグを起動する前に、本機の音場プログラムを“2 ch Stereo”以外にしてください。
“2 ch Stereo”設定のままダイアグを起動すると、スピーカー出力“SURROUND BACK L/R”、“EXTRA SP L/R”がオンできなくなる場合があります。

各サブメニューにおけるアナログスイッチの設定は以下の通りです。

- LARGE:** 低音再生能力の高い(ユニットの大きい)スピーカーを使用するモードです。
全帯域が出力されます。
- SMALL:** 低音再生能力の低い(ユニットの小さい)スピーカーを使用するモードです。
90 Hz以下がLFE/BASSで指定したチャンネルにミックスされます。
- NONE:** センタースピーカーを使用しないモードです。
センター成分は-3 dBされて、FRONT L/Rに振り分けられます。
- SWFR:** 5.1 ch信号のLFEまたは90 Hz以下のLFE/BASSがSUBWOOFER OUTに出力されます。
- FRONT:** 5.1 ch信号のLFEまたは90 Hz以下のLFE/BASSをFRONT L/Rに振り分けます。



INPUT: DVD ANALOG

SPEAKER OUT: 1 kHz, SUBWOOFER OUTPUT: 50 Hz

Sub-menu	Input level	Volume	SPEAKER OUT				SUBWOOFER OUTPUT
			FRONT L/R	CENTER	SURROUND L/R	SURROUND BACK L/R	
FRNT : SML 0dB	Both ch, -20 dBm	+6.0 dB	+12.0 dBm	+12.0 dBm	+12.0 dBm	+12.0 dBm	-3.0 dBm
CENTR : NONE	Both ch, -20 dBm	+6.0 dB	+9.0 dBm	-∞	+12.0 dBm	+12.0 dBm	-7.0 dBm
LFE/B : FRNT (50 Hz)	Both ch, -20 dBm	+6.0 dB	+25.0 dBm	+3.0 dBm	+3.0 dBm	+3.0 dBm	-∞
Pres Mix-P	Both ch, -20 dBm	+6.0 dB	+12.0 dBm	+12.0 dBm	+12.0 dBm	+12.0 dBm	-7.0 dBm
Pres Mix-F	Both ch, -20 dBm	+6.0 dB	+12.0 dBm	+12.0 dBm	+12.0 dBm	+12.0 dBm	-7.0 dBm
Zone2 Amp ON	Both ch, -20 dBm	+6.0 dB	+12.0 dBm	+12.0 dBm	+12.0 dBm	-∞ (*)	-7.0 dBm
Bi-AMP	Both ch, -20 dBm	+6.0 dB	+12.0 dBm	+12.0 dBm	+18.0 dBm	+12.0 dBm	-7.0 dBm
TONE : MAX	Both ch, -20 dBm	+6.0 dB	+12.0 dBm	+12.0 dBm	+12.0 dBm	+12.0 dBm	-7.0 dBm
TONE : MIN	Both ch, -20 dBm	+6.0 dB	+11.0 dBm	+12.0 dBm	+12.0 dBm	+12.0 dBm	-7.0 dBm

(*) ZONE2 L/R (EXTRA SP L/R) SPEAKER OUT: +12.0 dBm

5. XCH-INPUT

The input source “MULTI CHANNEL INPUT” is selected.

It is possible to select the 6 ch/8 ch and 6-ohm/8-ohm by using the sub-menu.

6 ch INPUT 6-ohm

5.6CH INPUT_6Ω

INPUT: MULTI CH INPUT

SPEAKER OUT: 1 kHz, SUBWOOFER OUTPUT: 50 Hz

Input level	Volume	SPEAKER OUT				SUBWOOFER OUTPUT
		FRONT L/R	CENTER	SURROUND L/R	SURROUND BACK L/R	
Both ch, -20 dBm	+6.0 dB	+12.0 dBm	+12.0 dBm	+12.0 dBm	-∞	-18.0 dBm

8 ch INPUT 6-ohm**8 ch INPUT 6-ohm**

5.8CH INPUT_6Ω

INPUT: MULTI CH INPUT

SPEAKER OUT: 1 kHz, SUBWOOFER OUTPUT: 50 Hz

Input level	Volume	SPEAKER OUT				SUBWOOFER OUTPUT
		FRONT L/R	CENTER	SURROUND L/R	SURROUND BACK L/R	
Both ch, -20 dBm	+6.0 dB	+12.0 dBm	+12.0 dBm	+12.0 dBm	+12.0 dBm	-18.0 dBm

6 ch INPUT 8-ohm**6 ch INPUT 8-ohm**

5.6CH INPUT_8Ω

INPUT: MULTI CH INPUT

SPEAKER OUT: 1 kHz, SUBWOOFER OUTPUT: 50 Hz

Input level	Volume	SPEAKER OUT				SUBWOOFER OUTPUT
		FRONT L/R	CENTER	SURROUND L/R	SURROUND BACK L/R	
Both ch, -20 dBm	+6.0 dB	+12.0 dBm	+12.0 dBm	+12.0 dBm	-∞	-18.0 dBm

8 ch INPUT 8-ohm**8 ch INPUT 8-ohm**

5.8CH INPUT_8Ω

INPUT: MULTI CH INPUT

SPEAKER OUT: 1 kHz, SUBWOOFER OUTPUT: 50 Hz

Input level	Volume	SPEAKER OUT				SUBWOOFER OUTPUT
		FRONT L/R	CENTER	SURROUND L/R	SURROUND BACK L/R	
Both ch, -20 dBm	+6.0 dB	+12.0 dBm	+12.0 dBm	+12.0 dBm	+12.0 dBm	-18.0 dBm

LIM / PLDET / THM

LIM: Setting value of LIM (Limiter control)
 * As this is a development menu, do not change the setting value.

PLDET: Power limiter detection
 The A/D conversion value during operation is displayed.
 (Reference voltage: 5.0 V=255)

THM: Thermo protection detection
 The A/D conversion value during operation is displayed.
 (Reference voltage: 5.0 V=255)

LIM / PLDET / THM

LIM: LIM(リミッター制御)の設定値
 ※ 開発用メニューのため、設定値の変更は行わないでください。

PLDET: パワーリミッターの検出
 動作時のA/D変換値が表示されます。
 (基準電圧: 5.0 V=255)

THM: 温度プロテクションの検出
 動作時のA/D変換値が表示されます。
 (基準電圧: 5.0 V=255)



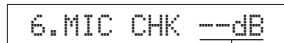
(Not applied to these models. / このモデルには適用されません。)
 THM (Thermo protection detection / 温度プロテクションの検出)
 PLDET (Power limiter detection / パワーリミッターの検出)
 Limiter control / リミッター制御

6. MIC CHECK

The signals input through the microphone are output of FRONT L/R via A/D and D/A.

6. MIC CHECK

マイク入力された信号をA/D-D/A経由でFRONT L/Rに出力します。



The output level is not indicated.
 出力レベルは表示されません。

7. FL/OSD CHECK

Use this program to check the FL display section and video control section. When checking the video control section, prepare a monitor, component video cable, S video cable and video pin cable and connect them.
 Selection of the FL display section or video control section varies according to the submenu operation as shown below.
 For audio signal processing, use STRAIGHT.

7. FL/OSD CHECK

FL表示部および映像表示部のチェックプログラムです。映像制御部をチェックする場合には、モニター、コンポーネント/Dビデオケーブル、Sビデオケーブル、ビデオ用ピンケーブルを準備し接続します。サブメニュー操作により、FL表示部と映像表示部の選択が以下のように連動して変わります。オーディオ信号処理はSTRAIGHTです。

RX-V861/HTR-6080/DSP-AX861SE/DSP-AX861

8. MANUAL TEST

Noise is output to all channels through the noise generation circuit which is included in the microprocessor. The noise frequency for LFE (SUBWOOFER) is 35 to 80 Hz. Other than that, the noise frequency is 500 to 2 kHz.

TEST ALL

Noise is output from all channels.

8. TEST ALL

8. MANUAL TEST

マイコンに内蔵されているノイズ発生回路によって、全チャンネルへノイズを出力します。LFE (SUBWOOFER)用のノイズ周波数は35~80 Hz、それ以外はノイズ周波数500~2 kHzとなります。

TEST ALL

全チャンネルからノイズを出力します。

9. FACTORY PRESET

This menu is used to reserve and inhibit initialization of the back-up RAM.

The signals are processed using EFFECT OFF (The L/R signal is output using ANALOG BYPASS).

9. FACTORY PRESET

バックアップ用RAM(音場プログラムのパラメーターやセットメニュー内容等)の初期化を予約/禁止します。信号処理はEFFECT OFF (ANALOG BYPASSでL/Rを出力)です。

9. PRESET INHI



9. PRESET RSRV

PRESET INHIBIT (Initialization inhibited) / PRESET INHIBIT (初期化禁止)

Back-up RAM initialization is not executed. Select this sub-menu to protect the values set by the user. バックアップ用RAMの初期化は行われません。ユーザーの設定値を保護するときは、こちらを選択してください。

PRESET RESERVED (Initialization reserved) / PRESET RESERVED (初期化予約)

Initialization of the back-up RAM is reserved. (Actually, initialization is executed the next time that the power is turned on.) Select this sub-menu to reset to the original factory settings or to reset the RAM. Any protection history will be cleared. バックアップ用RAMの初期化が予約されます。(実際に初期化されるのは、次の電源投入時です。)工場出荷時やバックアップ用RAMをリセットしたいときは、こちらを選択してください。このとき、プロテクション履歴も初期化されます。

CAUTION: Before setting to the PRESET RESERVED, write down the existing preset memory content of the tuner in a table as shown below. (This is because setting to the PRESET RESERVED will cause the user memory content of the tuner to be erased.)

注意： PRESET RESERVEDを選んで初期化をする前に、チューナーのユーザーメモリー内容を下表に書き写してください。(初期化をすると、チューナーのユーザーメモリーの内容は消えてしまいます。)

Preset Group	P1	P2	P3	P4	P5	P6	P7	P8
A								
B								
C								
D								
E								

RX-V861/HTR-6080/DSP-AX861SE/DSP-AX861

10. A/D DATA CHECK

This menu is used to display the A/D conversion value of the microprocessor which detects panel keys of the main unit and protection functions in using the sub-menu.

During signal processing, the condition before execution is maintained.

When K0/K1 menu is selected, keys become non-operable due to detection of the values of all keys. However, it is possible to move to the next DIAG menu by turning the PROGRAM knob of the main unit.

* The figures in the diagram are given as reference only.

PS1/PS2

PSx: Power supply voltage protection detection

PS1

Voltage detects: AC_BH, AC_BL, AC12, AC5, +10, +5.3H and +XM (U, C models)

Normal value: 43 to 80 (Reference voltage: 5.0 V=100)

PS2

Voltage detects: +12, -12, +5V, +5D, +5I and +3.3D

Normal value: 35 to 55 (Reference voltage: 5.0 V=100)

* If PS1 and PS2 are out of the normal value range, the protection function works to turn off the power.

PS1:061 2:043

DC/TH

DC: Power amplifier DC protection detection
Power amplifier DC (DC voltage) output is detected.

Normal value: 2 to 14 (Reference voltage: 5.0 V=100)

TH: THM (Thermo protection detection)

Temperature of the heat sink is detected.

Normal value: 0 to 124 (Reference voltage: 5.0 V=255)

* If THM is out of the normal value range, the protection function works to turn off the power.

DC:006 TH:107

IMP/PL

IMP: 8 or 4 ohms impedance setup detection

IMP 8: 8 ohms setting

IMP 4: 6 ohms setting

PL: PLDET (Power limiter detection)

Power amplifier output voltage detection

The power amplifier output voltage is detected and the power amplifier input voltage is controlled.

IMP:8 PL:251

10. A/D DATA CHECK

本機パネルキー、プロテクションなどを検出しているマイコンのA/D変換値を、サブメニューで表示します。信号処理は実行前の状態を維持します。

K0/K1のメニューにすると、全キーの値を検出するためキー操作はできなくなりますが、本機の“PROGRAM”ツマミを回すことにより、次のダイアグメニューに進めることができます。

※ 図中の数値は参考例です。

PS1/PS2

PSx: 電源電圧プロテクションの検出

PS1

検出電圧: AC_BH、AC_BL、AC12、AC5、+10、+5.3H

正常値: 43~80(基準電圧: 5.0 V=100)

PS2

検出電圧: +12、-12、+5V、+5D、+5I、+3.3D

正常値: 35~55(基準電圧: 5.0 V=100)

※ PS1およびPS2は正常値を外れるとプロテクションが働き、電源オフされます。

DC/TH

DC: パワーアンプDCプロテクションの検出

パワーアンプDC(直流電圧)出力の検出

正常値: 2~14(基準電圧: 5.0 V=100)

TH: THM(温度プロテクションの検出)

ヒートシンク温度の検出

正常値: 0~124(基準電圧: 5.0 V=255)

※ THMは正常値を外れるとプロテクションが働き、電源オフされます。

TH/PL

IMP: インピーダンス設定の検出

このモデルには適用されません。

PL: PLDET(パワーリミッターの検出)

パワーアンプ出力電圧の検出

パワーアンプ出力電圧を検出して、パワーアンプ入力電圧を制御します。

U, C, T, K, A, B, G, E models (Reference voltage: 5.0 V=255)

	During normal operation	Value for starting limiter operation	Value for canceling limiter operation
PLDET (8-ohm/6-ohm)	255 / 255	87 / 146	125 / 171
LIM (Limiter control)	H	L	H

R, L models (Reference voltage: 5.0 V=255)

	During normal operation	Value for starting limiter operation	Value for canceling limiter operation
PLDET (8-ohm/6-ohm)	255 / 255	100	131
LIM (Limiter control)	H	L	H

J model (基準電圧：5.0 V=255)

	通常値	リミッタ動作開始値	リミッタ動作解除値
PLDET (8-ohm/6-ohm)	255 / 255	100	131
LIM (リミッター制御)	H	L	H

K0/K1

K0/K1: KEY0/KEY1 (Panel key of main unit)
 A/D value of the key fails to function properly when the standard value is deviated.
 In this case, check the constant of partial pressure resistor, solder condition, etc. refer to table.
 (Reference voltage: 5.0 V=100)

K0/K1

K0/K1: KEY0/KEY1 (本機パネルキー)
 キーのA/D値は基準値から外れると、正常な動きをしません。
 下表をご覧になり、各キーの分圧抵抗の定数、ハンダ不良等の確認をしてください。
 (基準電圧：5.0 V=100)

K0:100 K1:100

RX-V861 (U, C, R, T, K, A, G, E, L models) / HTR-6080 (G model)

Display / 表示	KEY0	KEY1
0 - 4	MAIN ZONE ON/OFF	Zone2 ON/OFF
5 - 13	SCENE1	SCENE3
14 - 21	SCENE2	SCENE4
22 - 31	-	ZONE CONTROL
32 - 42	-	AUDIO SELECT
43 - 53	STRAIGHT	FM/AM
54 - 61	TONE CONTROL	A/B/C/D/E
62 - 68	SEARCH MODE /EDIT	PRESET <
69 - 75	-	PRESET >
76 - 82	SPEAKERS	MEMORY
83 - 89	PURE DIRECT	DISPLAY
90 - 100	KEY OFF	KEY OFF

HTR-6080 (U, C models) / DSP-AX861 (J model)

Display / 表示	KEY0	KEY1
0 - 4	-	NIGHT
5 - 13	SCENE1	SCENE3
14 - 21	SCENE2	SCENE4
22 - 31	-	SLEEP
32 - 42	-	AUDIO SELECT
43 - 53	STRAIGHT	FM/AM
54 - 61	TONE CONTROL	A/B/C/D/E
62 - 68	SEARCH MODE /EDIT	PRESET <
69 - 75	-	PRESET >
76 - 82	SPEAKERS	MEMORY
83 - 89	PURE DIRECT	DISPLAY
90 - 100	KEY OFF	KEY OFF

DSP-AX861SE (B model)

Display / 表示	KEY0	KEY1
0 - 4	-	-
5 - 13	SCENE1	SCENE3
14 - 21	SCENE2	SCENE4
22 - 31	-	-
32 - 42	-	AUDIO SELECT
43 - 53	STRAIGHT	-
54 - 61	TONE CONTROL	-
62 - 68	-	-
69 - 75	-	-
76 - 82	SPEAKERS	-
83 - 89	PURE DIRECT	-
90 - 100	KEY OFF	KEY OFF

11. VIDEO CHECK

The video circuit is checked by the sub-menu operation.

12C (Inter integrated circuit) read/write check

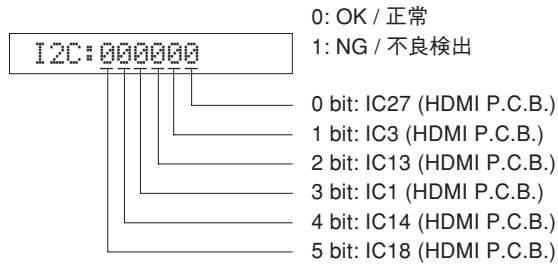
Self-diagnosis is executed to check whether data reading/writing between the microprocessor connected to the 12C line and each IC is done properly or not.

11. VIDEO CHECK

サブメニュー操作により、ビデオ回路の確認をします。

12C (Inter integrated circuit) read/write check

12Cラインに接続されているマイコンと各IC間でデータ読み出し／書き込みの正否を自己診断します。



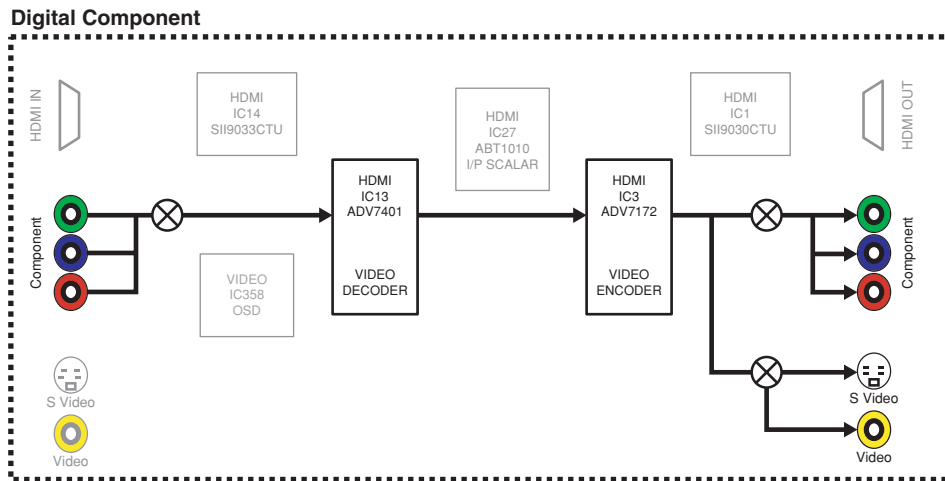
Digital component

The signal passage as shown below is checked.

Digital component

下記の信号経路を確認します。

DIGITAL COMP



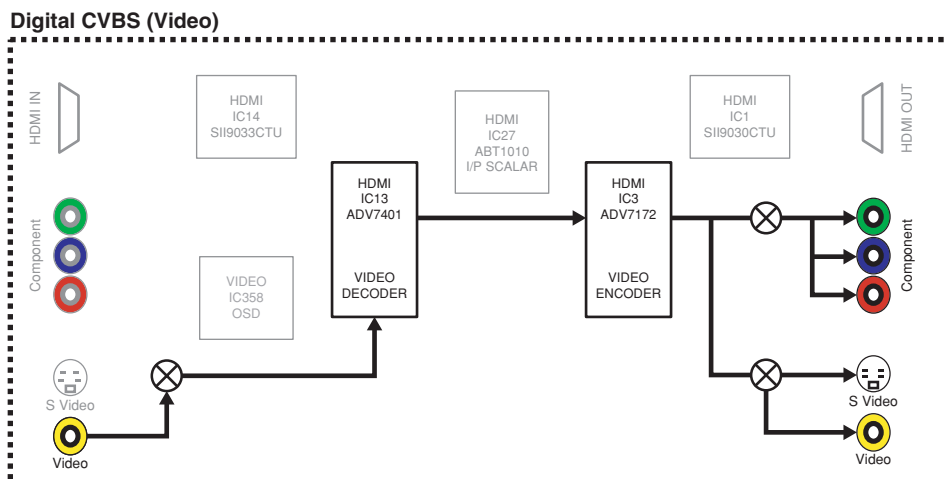
Digital CVBS (Video)

The signal passage as shown below is checked.

Digital CVBS (Video)

下記の信号経路を確認します。

DIGITAL CVBS



RX-V861/HTR-6080/DSP-AX861SE/DSP-AX861

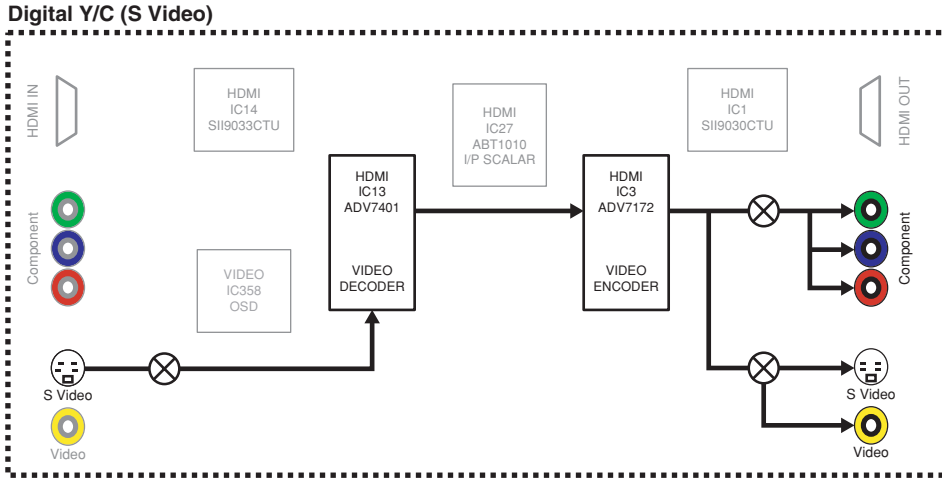
Digital Y/C (S-Video)

The signal passage as shown below is checked.

Digital Y/C (S-Video)

下記の信号経路を確認します。

DIGITAL Y/C



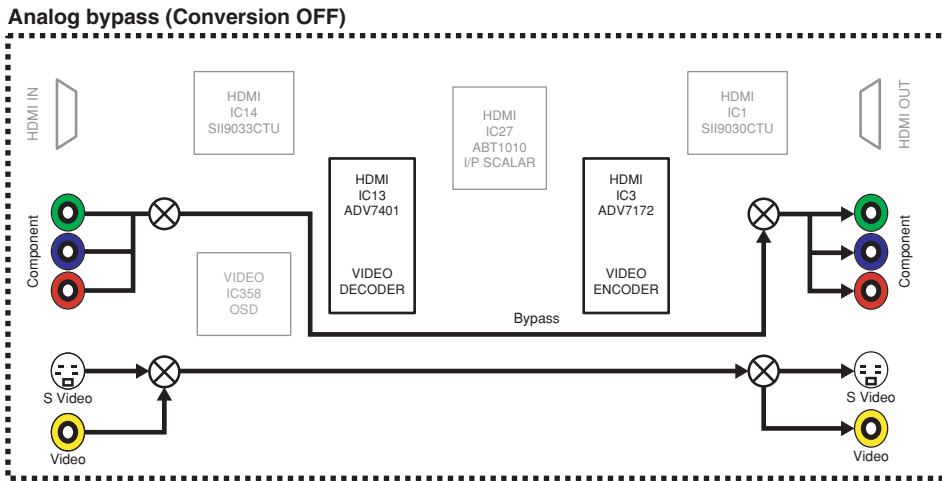
Analog bypass

The signal passage as shown below is checked.

Analog bypass

下記の信号経路を確認します。

ANALOG BYPASS



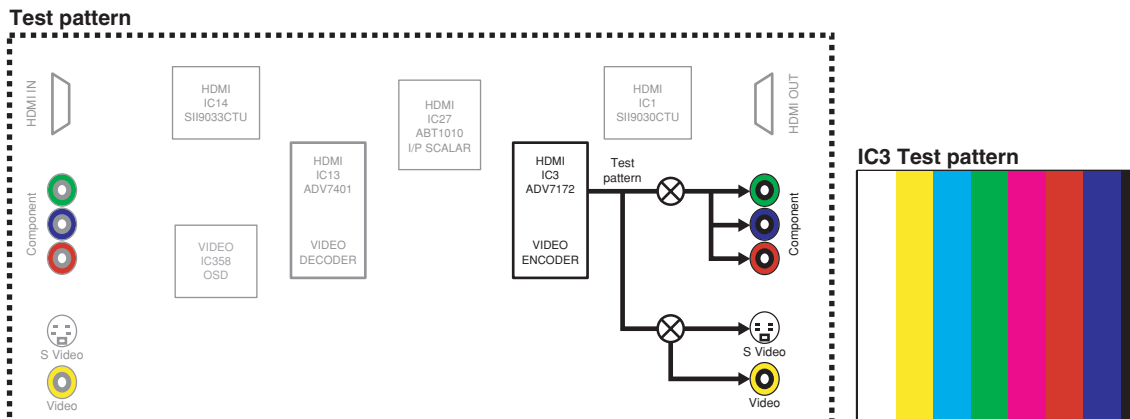
Test pattern

The test pattern is output from IC3 (HDMI P.C.B.).

Test pattern

IC3 (HDMI P.C.B.) からテストパターンを出力します。

TEST PATTERN



RX-V861/HTR-6080/DSP-AX861SE/DSP-AX861

Video information

Displays the information of image signals being input.

Video information

入力されている映像信号の情報を表示します。

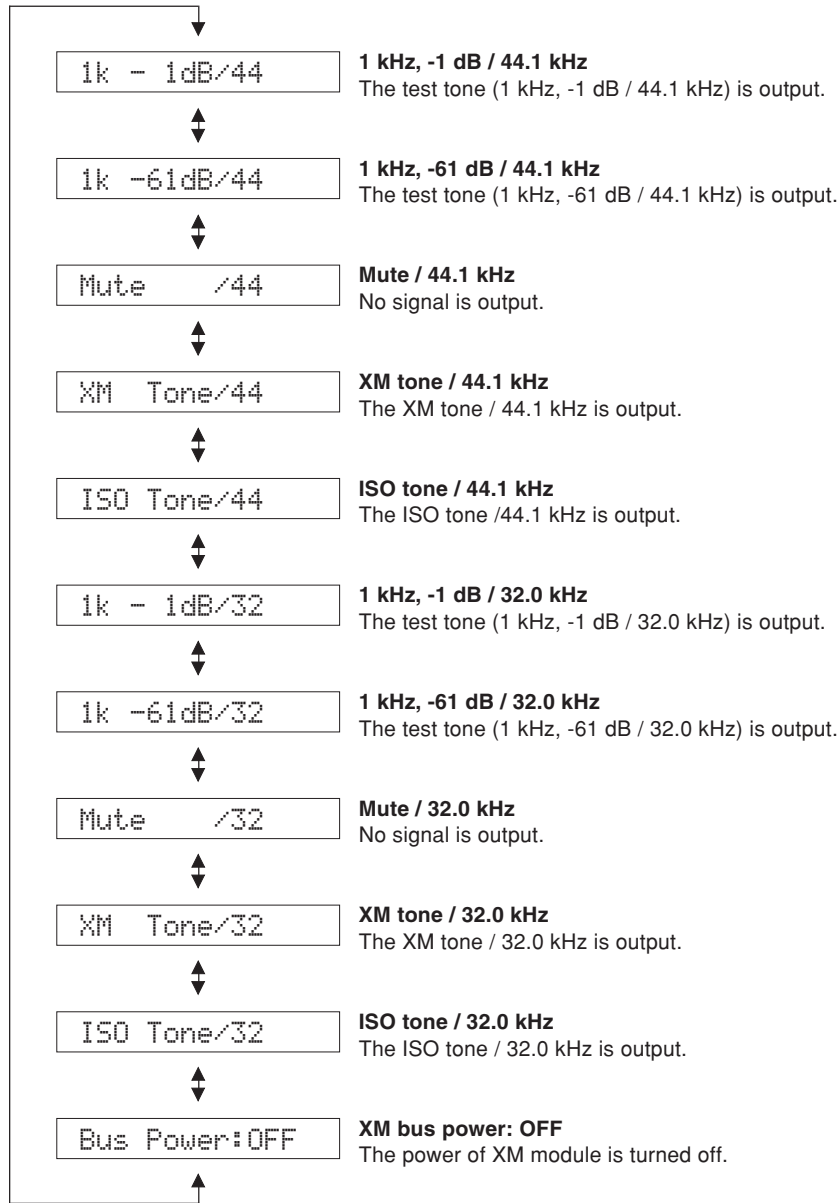
Example / 例

VIDEO IN 480P

12. XM STATUS (U, C models)

The output check of XM radio antenna module is executed.

12. XM STATUS (U, C models)



13. DOCK

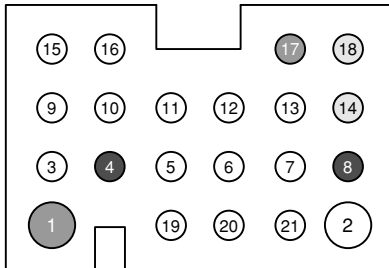
This menu is used to test the DOCK connector without the iPod itself.

After turning off the power, short between pins No. 14 (TX) and No. 18 (RX), between pins No. 1 (PWR) and No. 17 (ACCPW) and between pins No. 4 (iPDET) and No. 8 (DGND).

Start the DIAG function and select the menu.

The check result is displayed according to the following display specifications.

Note) Be sure to return the shorted locations to their original state.



DOCK

Check item / チェック項目	Result / 結果	Display / 表示	
UART loop back test / UARTループバックテスト	OK	Y	
	NG	N	
iPAP (iPod accessory power) detection / iPAP (iPod accessory power) 検出	IC402 pin No. 1	High	Y
		Low	N
iPDET (iPod installation to DOCK) detection / iPDET (iPod installation to DOCK) 検出	IC402 pin No. 12	Low	Y
		High	N

13. DOCK

iPod本体無しで、DOCKコネクタの検査を行うメニューです。

電源オフの状態にしてから、DOCKコネクタの14ピン(TX)と18ピン(RX)、1ピン(PWR)と17ピン(ACCPW)、4ピン(iPDET)と8ピン(DGND)をショートさせます。

ダイグを起動してメニューを選択します。

下記表示仕様に従って、チェック結果が表示されます。

注) ショート箇所は、必ず元に戻してください。

13.DOCK:NG NNN

All Y / すべてY = "OK"
Others / その他 = "NG"

14. USB CHECK

Not applied to these models.

USB 1 TRACK✓



MAC CHECK:

14. USB CHECK

このモデルには適用されません。

15. DAB CHECK

Not applied to these models.

SCL:



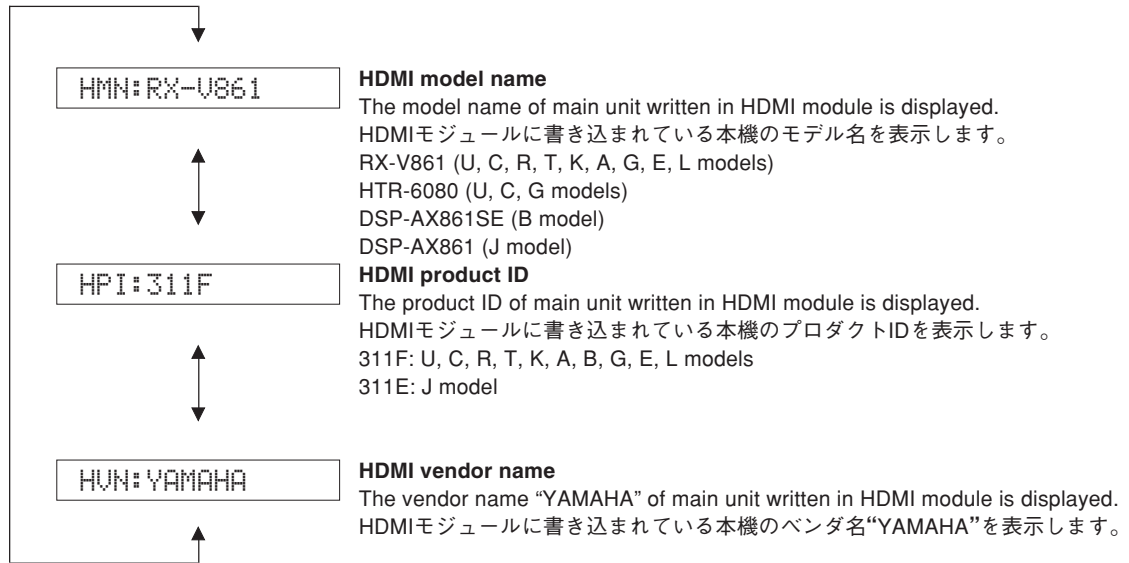
Signal Q:

15. DAB CHECK

このモデルには適用されません。

16. HDMI INFORMATION

16. HDMI INFORMATION



17. HDMI SELECT

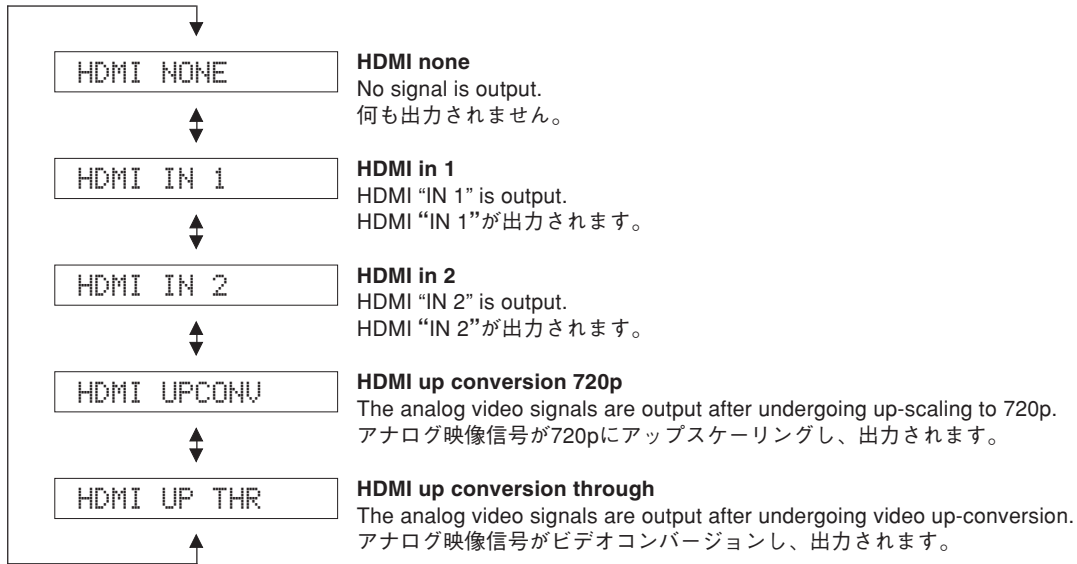
The selected input signal is output to HDMI OUT by the sub-menu operation.

* Support audio is set to "OTHER".

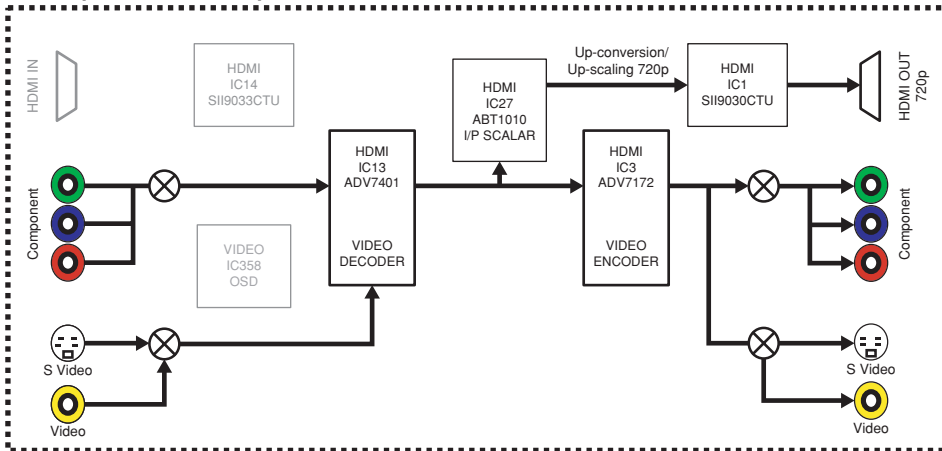
17. HDMI SELECT

サブメニュー操作により、選択された入力信号をHDMI OUTへ出力します。

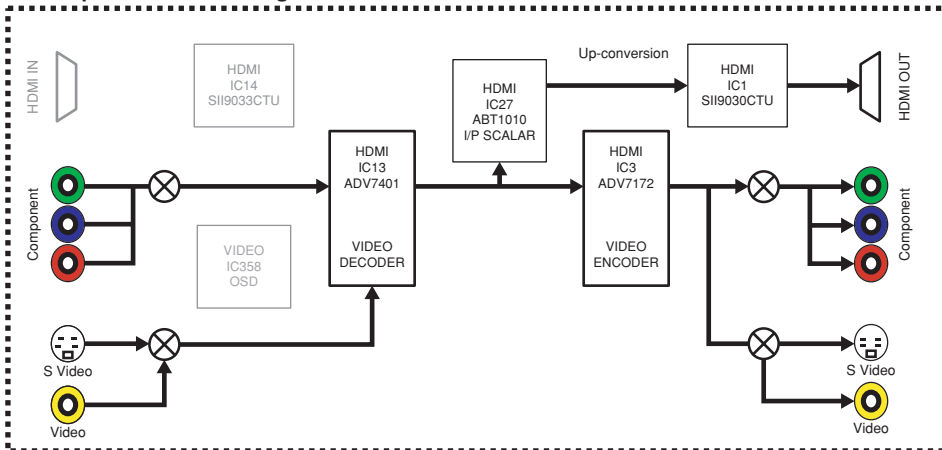
※ SUPPORT AUDIOは"OTHER"に設定されます。



HDMI up-conversion 720p



HDMI up-conversion through



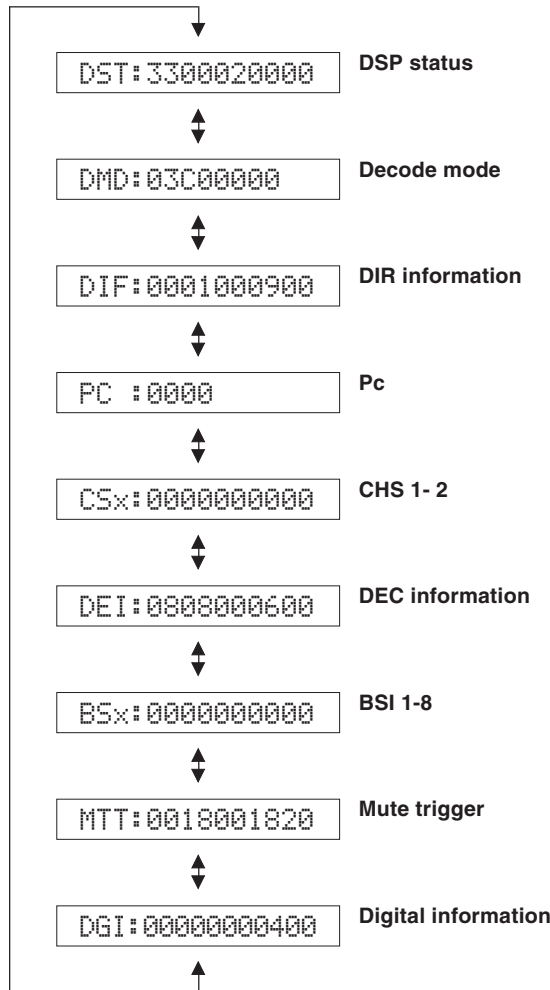
RX-V861/HTR-6080/DSP-AX861SE/DSP-AX861

18. IF STATUS (Input function status)

The status information is displayed in the hexadecimal notation one after another by the sub-menu operation.

For signal processing, the status before the sub-menu operation is maintained.

- * The details of the following status information cannot be disclosed because of the development purpose.
- * The figures in the diagram are given as reference only.



19. DSP BUS CHECK

This menu is used to self-diagnose whether or not the bus connection for the TI (DA70Y) and the external ROM/RAM is made properly.

TI BUS:NoEr

- NoEr:** No error detected.
- Boot:** When this indication is displayed with in seconds or displayed alternately. "NoEr" and "Boot", it is highly possible that there are errors.

18. IF STATUS (Input function status)

サブメニュー操作により、ステータス情報を順次16進数で表示します。

信号処理は、サブメニュー操作前の状態を維持します。

- ※ 下記のステータス情報の詳細説明に関しては、開発用のため記載できません。
- 図中の数値は参考例です。

19. DSP BUS CHECK

TI (DA70Y) と外付けROM/RAMとのバス接続の正否を自己診断します。

- NoEr :** 不良検出なし
- Boot :** 数秒間この状態、または“NoEr”と交互に表示される場合、異常が発生している可能性があります。

20. PROTECTION SETTING

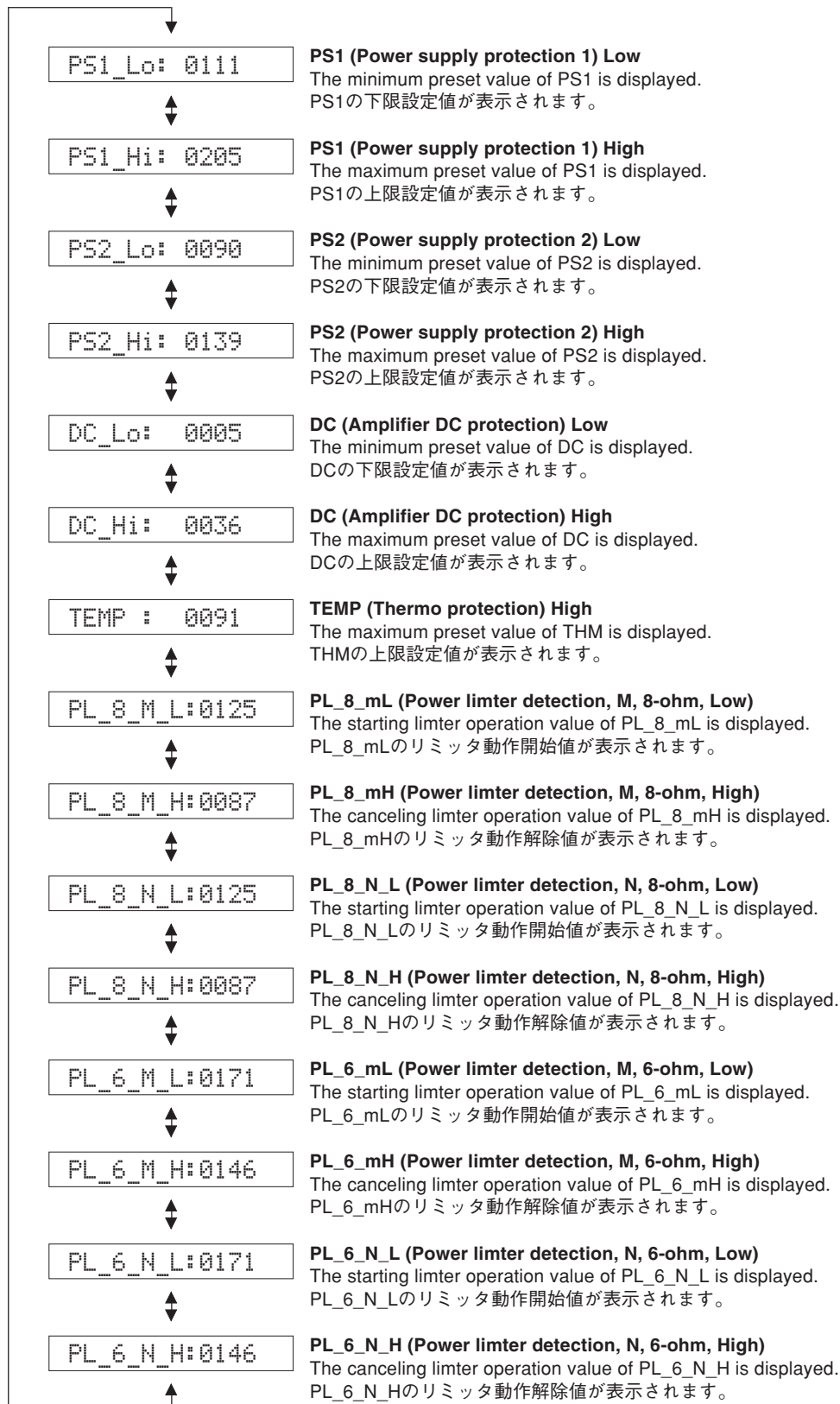
The A/D setting value of each protection is displayed.
(Reference voltage: 5.0 V=255)

* The figures in the diagram are given as reference only.

20. PROTECTION SETTING

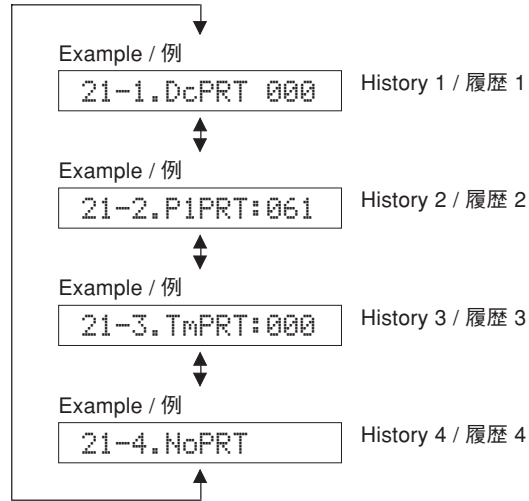
各プロテクションのA/D設定値が表示されます。
(基準電圧：5.0 V=255)

※ 図中の数値は参考例です。



21. PROTECTION HISTORY

Four protection histories are displayed.



21. PROTECTION HISTORY

過去のプロテクション履歴が4つまで表示されます。

22. SOFT SWITCH

Note) As this is a development menu, do not change the function setting.
 Changing the function setting may hinder the proper operation.

This menu is used to switch the function settings on P.C.B. through the software to activate the main unit. The protection function follows the P.C.B. settings.

* As this is a development menu, it is not possible to describe the details.

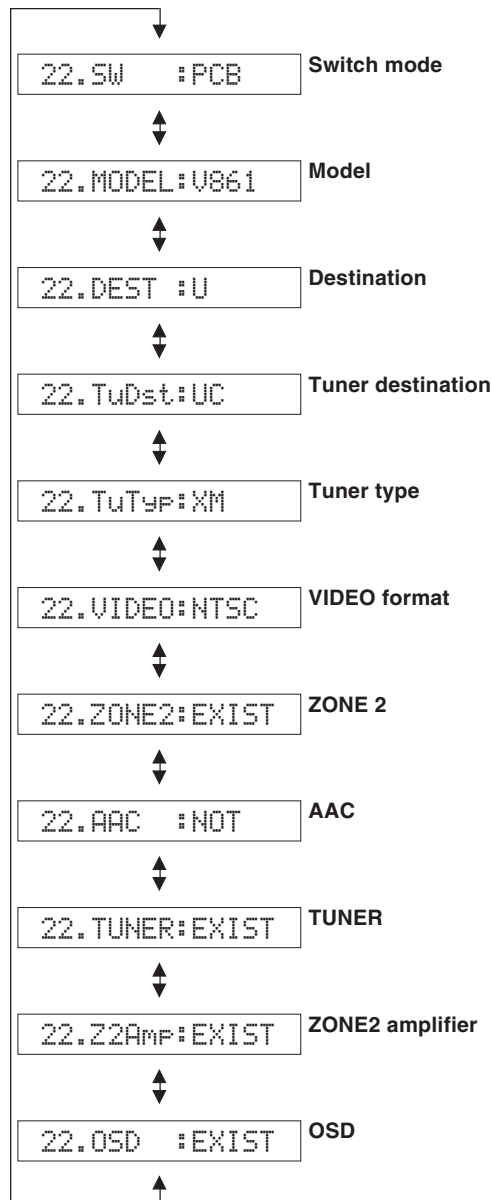
22. SOFT SWITCH

注) 開発用メニューのため、機能設定の変更は行わないでください。
 機能設定を変更した場合、正常に動作しないことがあります。

P.C.B.上の機能設定をソフト的に切り替えて、本機を動作させる機能です。
 プロテクション機能は、P.C.B.の設定に従います。

※ 開発用メニューのため、詳細に関しては記載できません。

RX-V861/HTR-6080/DSP-AX861SE/DSP-AX861

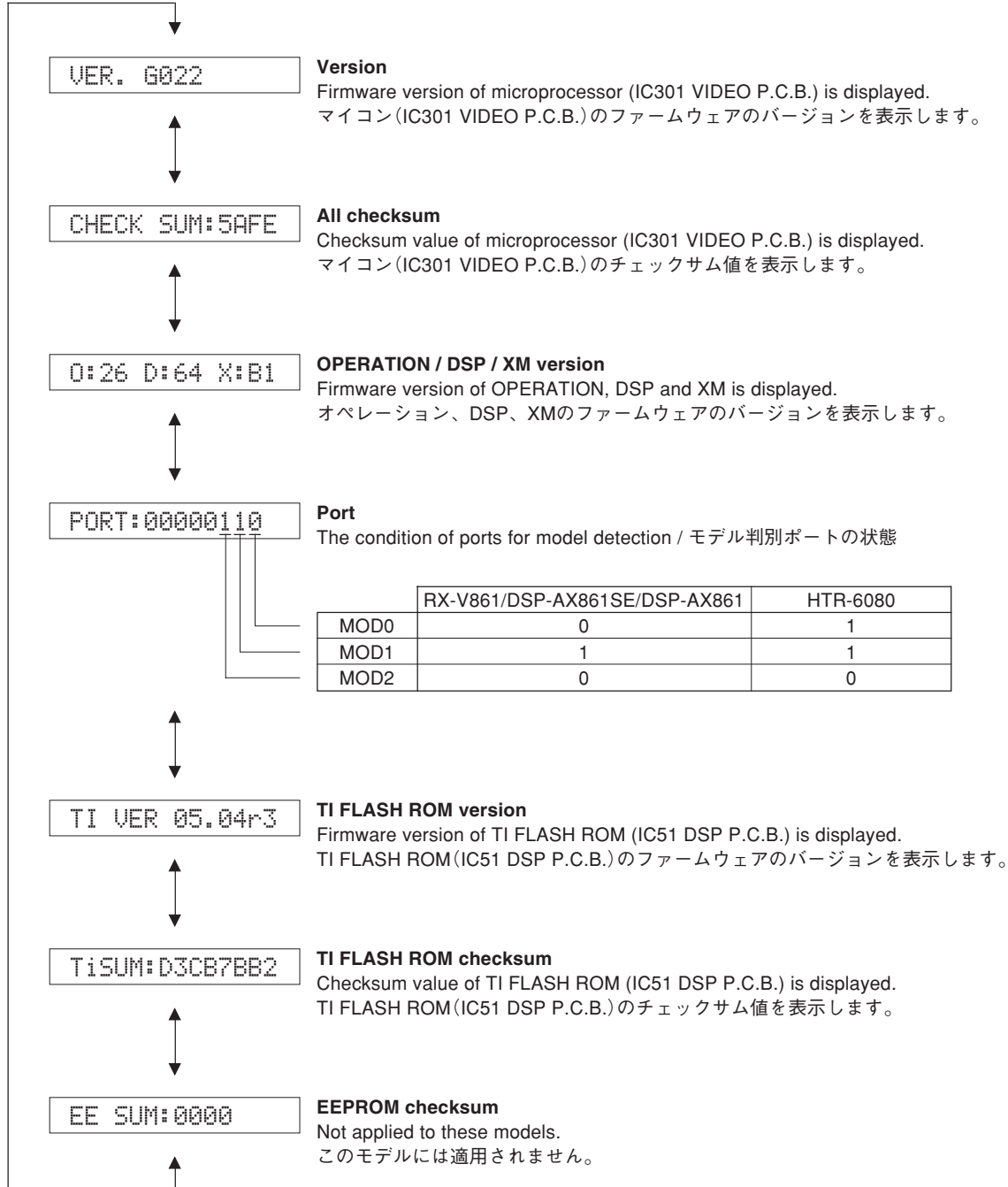


23. ROM VER. / SUM / PORT

The version and checksum are displayed. The signal is processed using EFFECT OFF.

The checksum is obtained by adding the data at every 8-bit for each program area and expressing the result as a 4-figure hexadecimal data.

* The figures in the diagram are given as reference only.



24. UPDATE

Select this when writing the firmware.

For more information, refer to UPDATING FIRMWARE.

The operation mode can be changed by selecting the sub-menu and then using the "STRAIGHT" key.

TI BOOT ?

Writing of DSP (TI FLASH ROM)
DSP(TI flash ROM)の書き込み

24.TI BOOT ?

24. UPDATE

ファームウェアの書き込みに時に選択します。

詳細は[ファームウェアの更新]を参照してください。

操作は、サブメニューを選んだ後、“STRAIGHT”キーで切り替えます。

TI BOOT...

Writing of DSP (T1 flash ROM) is started
DSP(TI flash ROM)の書き込み開始

24.TI BOOT...



■ CONFIRMATION OF IDLING CURRENT OF AMP UNIT / アンプユニットのアイドリング電流の確認

- Right after power is turned on, confirm that the voltage across the terminals of R1303 (SURROUND BACK R ch), R1153 (SURROUND R ch), R1154 (FRONT R ch), R1152 (CENTER), R1150 (FRONT L ch), R1151 (SURROUND L ch), R1149 (SURROUND BACK L ch) are between 0.1 mV and 10.0 mV.
- If it exceeds 10.0 mV, open (cut off) R1252 (SURROUND BACK R ch), R1112 (SURROUND R ch), R1114 (FRONT R ch), R1110 (CENTER), R1106 (FRONT L ch), R1108 (SURROUND L ch), R1104 (SURROUND BACK L ch) and reconfirm the voltage.

Attention

If the measured voltage exceeds 10.0 mV after an amplifier repair, first check for a defective component before cutting the bias resistor.

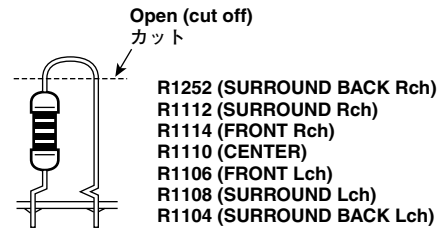
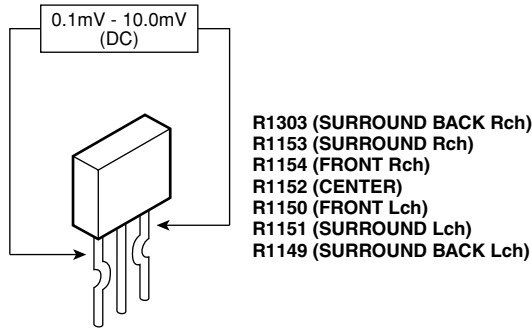
- Confirm that the voltage is 0.2 mV to 15.0 mV after 60 minutes.

- 電源投入直後、R1303 (SURROUND BACK R ch)、R1153 (SURROUND R ch)、R1154 (FRONT R ch)、R1152 (CENTER)、R1150 (FRONT L ch)、R1151 (SURROUND L ch)、R1149 (SURROUND BACK L ch) の端子間電圧を測定し、0.1 mVから10.0 mVの間であることを確認してください。
- 電圧が10.0 mVを超えている場合は、R1252 (SURROUND BACK R ch)、R1112 (SURROUND R ch)、R1114 (FRONT R ch)、R1110 (CENTER)、R1106 (FRONT L ch)、R1108 (SURROUND L ch)、R1104 (SURROUND BACK L ch) をカットし、電圧を再確認してください。

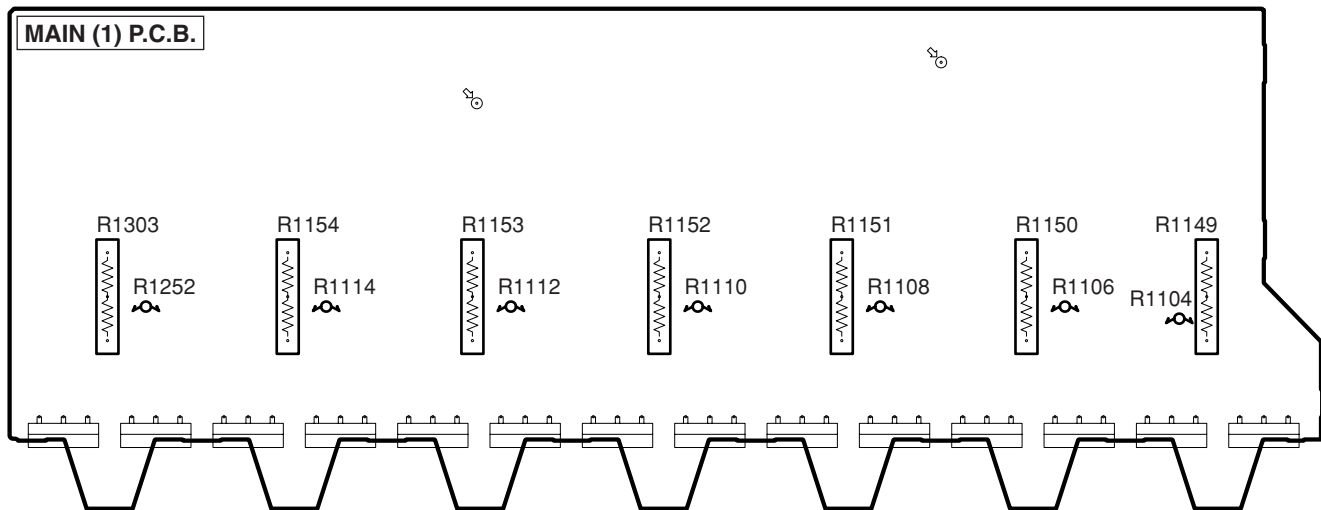
注意

パワーアンプ修理後に10.0 mVを超えている場合は、抵抗をカットする前に故障箇所を調べてください。

- 60分後、電圧が0.2 mV～15.0 mVであることを確認してください。



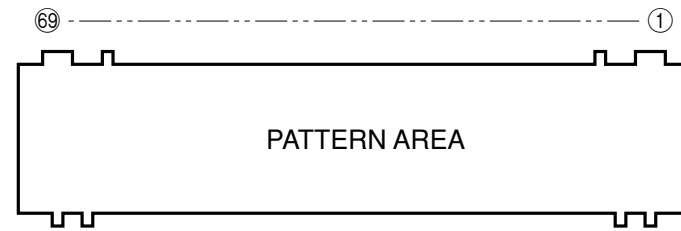
Rear



Front

■ DISPLAY DATA

● V401: 17-BT-29GNK (OPERATION P.C.B.)



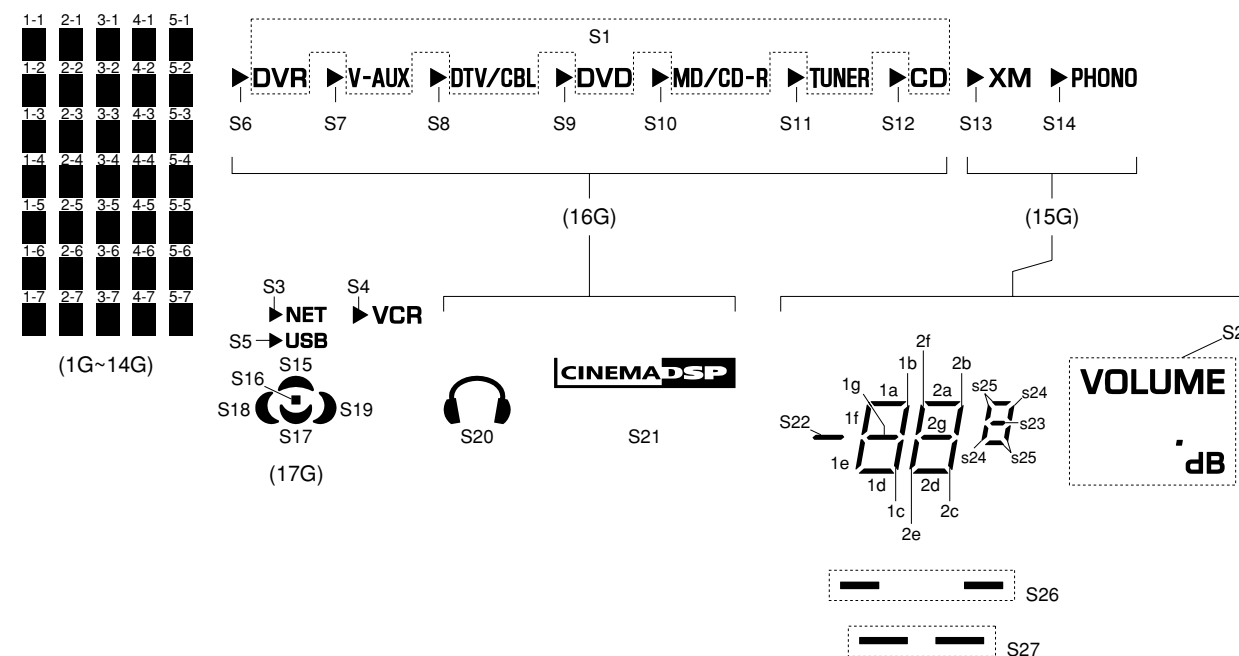
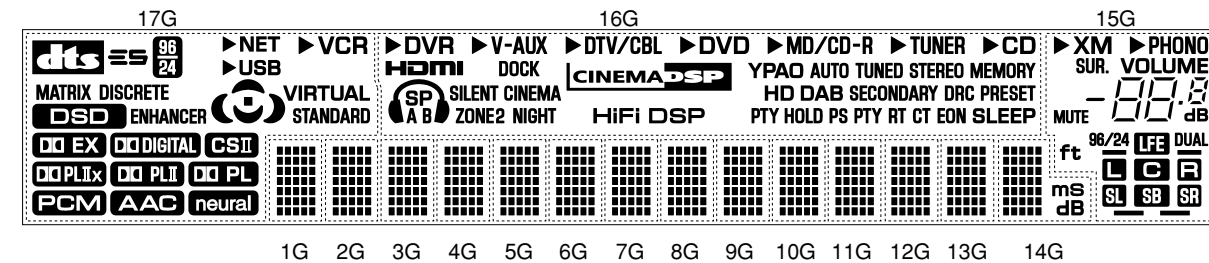
● PIN CONNECTION

Pin No.	69	68	67	66	65	64	63	62	61	60	59	58	57	56	55	54	53	52	51	50	49	48	47	46	45	44	43	42	41	40	39	38	37	36	35
Connection	F2	NX	NP	NP	P1	P2	P3	P4	P5	P6	P7	P8	P9	P10	P11	P12	P13	P14	P15	P16	P17	P18	P19	P20	P21	P22	P23	P24	P25	P26	P27	P28	P29	P30	P31

Pin No.	34	33	32	31	30	29	28	27	26	25	24	23	22	21	20	19	18	17	16	15	14	13	12	11	10	9	8	7	6	5	4	3	2	1
Connection	P32	P33	P34	P35	P36	P37	NX	NX	NX	NX	NX	NX	NX	17G	16G	15G	14G	13G	12G	11G	10G	9G	8G	7G	6G	5G	4G	3G	2G	1G	NP	NP	NX	F1

Note : 1) F1, F2 Filament pin 2) NP No pin 3) NX No extend pin 4) 1G~17G Grid pin

● GRID ASSIGNMENT

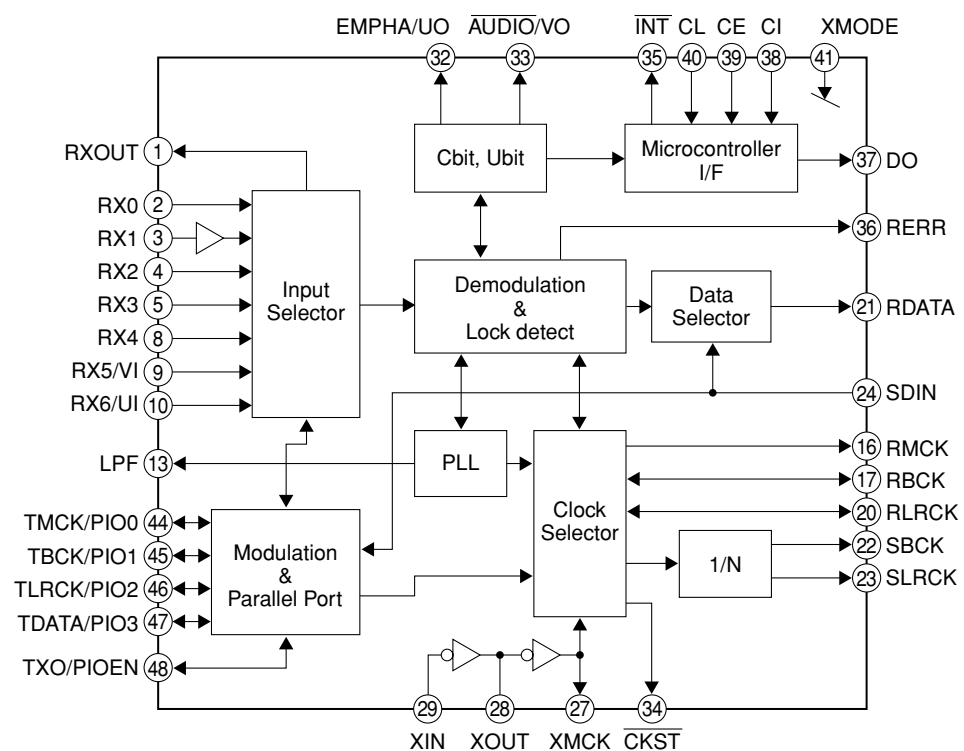


● ANODE CONNECTION

	17G	16G	15G	14G	13G~1G
1P	dts	S1	S2	1-1	1-1
2P	ES	S6	S26	2-1	2-1
3P	MATRIX	S7	S27	3-1	3-1
4P	DISCRETE	S8	S22	4-1	4-1
5P	96/24	S9	1a	5-1	5-1
6P	DSD	S10	1b	1-2	1-2
7P	ENHANCER	S11	1c	2-2	2-2
8P	EX	S12	1d	3-2	3-2
9P	DIGITAL	HDMI	1e	4-2	4-2
10P	CS II	S20	1f	5-2	5-2
11P	PLT	SP	1g	1-3	1-3
12P	PLT	A	2a	2-3	2-3
13P	PL	B	2b	3-3	3-3
14P	PCM	SILENT CINEMA	2c	4-3	4-3
15P	AAC	ZONE2	2d	5-3	5-3
16P	neural	NIGHT	2e	1-4	1-4
17P	NET	DOCK	2f	2-4	2-4
18P	USB	S21	2g	3-4	3-4
19P	VCR	HiFi DSP	S23	4-4	4-4
20P	S3	YPAO	S24	5-4	5-4
21P	S5	AUTO	S25	1-5	1-5
22P	S4	TUNED	XM	2-5	2-5
23P	S15	STEREO	PHONO	3-5	3-5
24P	S16	MEMORY	S13	4-5	4-5
25P	S17	HD	S14	5-5	5-5
26P	S18	DAB	SUR.	1-6	1-6
27P	S19	SECONDARY	MUTE	2-6	2-6
28P	VIRTUAL	DRC	DUAL	3-6	3-6
29P	STANDARD	PRESET	96/24	4-6	4-6
30P	-	PTY (HOLD)	ft	5-6	5-6
31P	-	HOLD	LFE	1-7	1-7
32P	-	PS	L	2-7	2-7
33P	-	PTY	C	3-7	3-7
34P	-	RT	R	4-7	4-7
35P	-	CT	SL	5-7	5-7
36P	-	EON	SB	mS	-
37P	-	SLEEP	SR	dB	-

■ IC DATA

IC41: LC89057W-VF4AD-E (DSP P.C.B.)
Digital audio interface transceiver

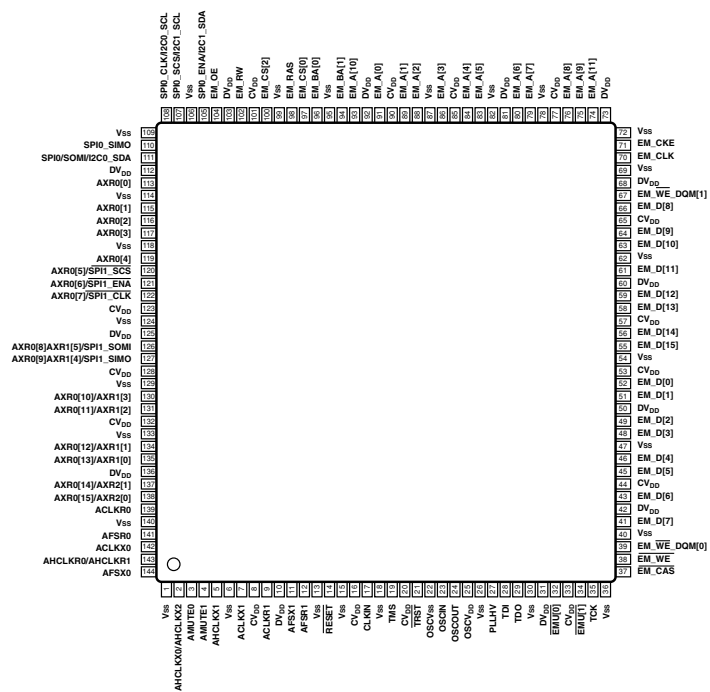
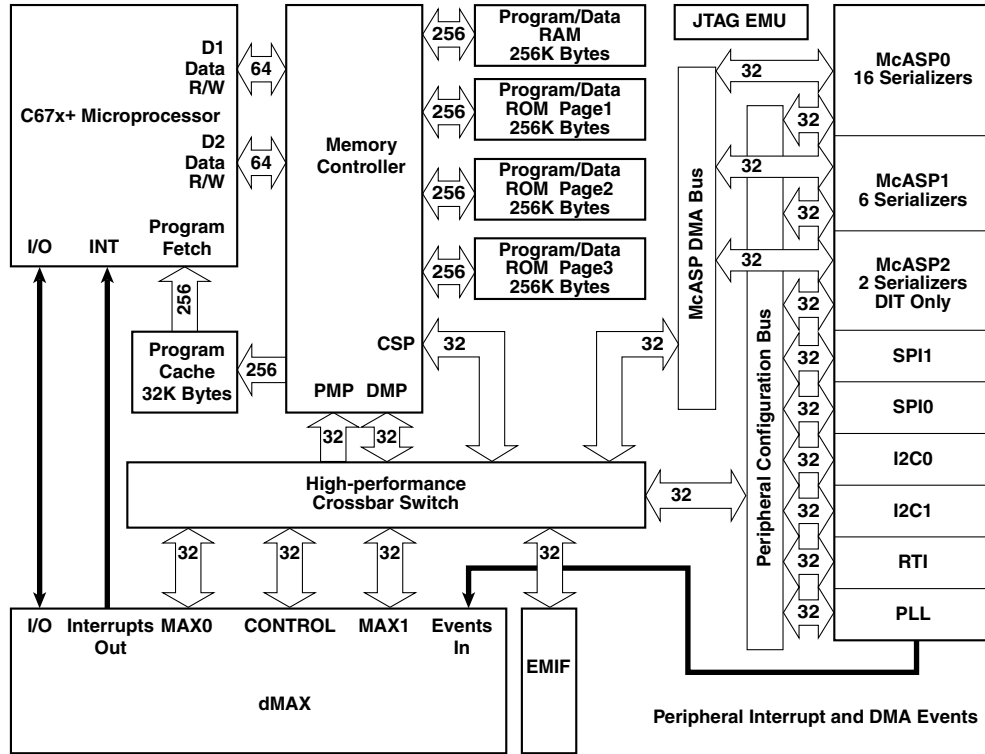


Pin No.	Function Name	I/O	Detail of Function
1	RXOUT	O	Output pin of input bi-phase selection data
2	RX0	Is	Input pin of TTL-compatible digital data
3	RX1	I	Digital data input pin with built-in amplifier that supports coaxial
4	RX2	Is	Input pin of TTL-compatible digital data
5	RX3	Is	Input pin of TTL-compatible digital data
6	DGND		Digital GND
7	DVDD		Digital power supply (3.3 V)
8	RX4	Is	Input pin of TTL-compatible digital data
9	RX5	Is	TTL-compatible digital data / Validity flag input pin for modulation
10	RX6	Is	TTL-compatible digital data / User data input pin for modulation
11	DVDD		Digital power supply for PLL
12	DGND		Digital GND for PLL
13	LPF	O	PLL loop filter connection pin
14	AVDD		Analog power supply for PLL (3.3 V)
15	AGND		Analog GND for PLL
16	RMCK	O	R system clock output pin (256 fs, 512 fs, XIN, VCO)
17	RBCK	O/I	R bit clock input/output pin (64 fs)
18	DGND		Digital GND
19	DVDD		Digital power supply (3.3 V)
20	RLRCK	O/I	R LR clock input/output pin (fs)
21	RDATA	O	Output pin of serial audio data
22	SBCK	O	S bit clock output pin (32 fs, 64 fs, 128 fs) (No connected.)
23	SLRCK	O	S LR clock output pin (fs/2, fs, 2 fs) (No connected.)
24	SDIN	Is	Input pin of serial audio data
25	DGND		Digital GND
26	DVDD		Digital power supply (3.3 V)
27	XMCK	O	Oscillation amplifier output pin
28	XOUT	O	Quartz resonator connection output pin
29	XIN	I	Quartz resonator connection, input pin of external supply clock (24.576 MHz or 12.288 MHz)
30	DVDD		Digital power supply (3.3 V)
31	DGND		Digital GND
32	EMPHA/UO/CD	I/O	Emphasis information / U data output / C data output / Chip address setting pin
33	AUDIO/VO	I/O	Non-PCM detection / V flag output / Chip address setting pin
34	CKST/PT	I/O	Output of clock switch transitional period signal / Preamble B output / Demodulation master or slave function switch pin
35	INT	I/O	Interrupt output for microprocessor (Possible to select an interrupt factor.) / Modulation or general-purpose I/O switch pin
36	RERR	O	PLL clock error, data error flag output
37	DO	O	Microprocessor I/F, read data output pin (3-state)
38	DI	Is	Microprocessor I/F, write data input pin
39	CE	Is	Microprocessor I/F, chip enable input pin
40	CL	Is	Microprocessor I/F, clock input pin"
41	XMODE	Is	System reset input pin
42	DGND		Digital GND
43	DVDD		Digital power supply (3.3 V)
44	PIO0	I/O	512 fs, 256 fs, 128 fs system clock input for modulation or external / General-purpose I/O input/output pin
45	PIO1	I/O	64 fs bit clock input for modulation / General-purpose I/O input/output pin
46	PIO2	I/O	fs clock input for modulation / General-purpose I/O input/output pin
47	PIO3	I/O	Serial audio data input for modulation / General-purpose I/O input/output pin
48	PIOEN	I/O	Modulation data output / General-purpose I/O enable output pin

- 1) Withstand voltage input/output: I or O = -0.3 to 3.6 V, Is = -0.3 to 5.5 V
- 2) Pins 32 and 33 are input pins for chip address setting, when pin 41 = "L".
- 3) Pin 34 is a demodulation function master or an input pin for slave setting, when pin 41 = "L".
- 4) Pin 35 is a modulation function or an input pin for general-purpose I/O function switch setting, when pin 41 = "L".
- 5) ON/OFF for all power supplies must be done at the same timing as a latch-up countermeasure.

IC44 : D70YE101BRFP266 (DSP P.C.B.)
 Floating-point digital signal processors

* No replacement part available. / サービス部品供給なし



RX-V861/HTR-6080/DSP-AX861SE/
 DSP-AX861

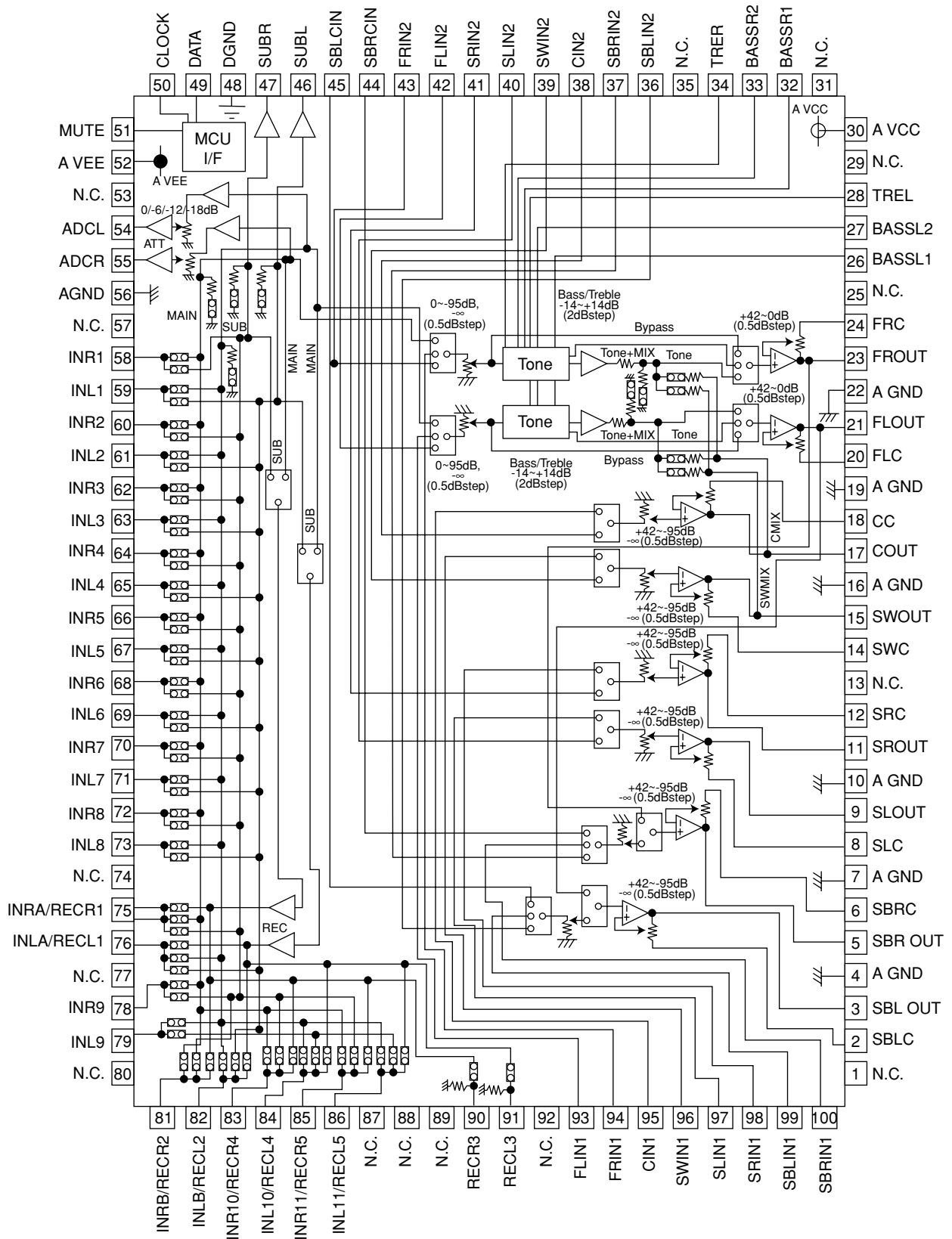
Pin No.	Function Name	I/O			Detail of Function
		TYPE ⁽¹⁾	PULL ⁽²⁾	GPIO ⁽³⁾	
External memory interface (EMIF) address and control					
37	EM_CAS	O	–	N	SDRAM column address strobe
38	EM_WE	O	–	N	SDRAM write enable
39	EM_WE_DQM[0]	O	–	N	Write enable or byte enable for EM_D[7:0]
67	EM_WE_DQM[1]	O	–	N	Write enable or byte enable for EM_D[15:8]
70	EM_CLK	O	–	N	SDRAM clock
71	EM_CKE	O	–	N	SDRAM clock enable
74	EM_A[11]	O	–	N	EMIF address bus
75	EM_A[9]	O	–	N	
76	EM_A[8]	O	–	N	
79	EM_A[7]	O	–	N	
80	EM_A[6]	O	–	N	
83	EM_A[5]	O	–	N	
84	EM_A[4]	O	–	N	
86	EM_A[3]	O	–	N	
88	EM_A[2]	O	–	N	
89	EM_A[1]	O	–	N	
91	EM_A[0]	O	–	N	
93	EM_A[10]	O	–	N	
94	EM_BA[1]	O	–	N	SDRAM bank address and asynchronous memory low-order address
96	EM_BA[0]	O	–	N	
97	EM_CS[0]	O	–	N	SDRAM chip select
98	EM_RAS	O	–	N	SDRAM row address strobe
100	EM_CS[2]	O	–	N	Asynchronous memory chip select
102	EM_RW	O	–	N	Asynchronous memory read/not write (No connected.)
104	EM_OE	O	–	N	SDRAM output enable
External memory interface (EMIF) data bus					
41	EM_D[7]	I/O	–	N	EMIF data bus [Lower 16-bit]
43	EM_D[6]	I/O	–	N	
45	EM_D[5]	I/O	–	N	
46	EM_D[4]	I/O	–	N	
48	EM_D[3]	I/O	–	N	
49	EM_D[2]	I/O	–	N	
51	EM_D[1]	I/O	–	N	
52	EM_D[0]	I/O	–	N	
55	EM_D[15]	I/O	–	N	
56	EM_D[14]	I/O	–	N	
58	EM_D[13]	I/O	–	N	
59	EM_D[12]	I/O	–	N	
61	EM_D[11]	I/O	–	N	
63	EM_D[10]	I/O	–	N	
64	EM_D[9]	I/O	–	N	
66	EM_D[8]	I/O	–	N	
McASP0, McASP1, McASP2 and SPI1 serial ports					
2	AHCLKX0	I/O	–	Y	McASP0 and McASP2 transmit master clock
3	AMUTE0	O	–	Y	McASP0 mute output
4	AMUTE1	O	–	Y	McASP1 mute output
5	AHCLKX1	I/O	–	Y	McASP1 transmit master clock
7	ACLKX1	I/O	–	Y	McASP1 transmit bit clock
9	ACLKR1	I/O	–	Y	McASP1 receive bit clock
11	AFSX1	I/O	–	Y	McASP1 transmit frame sync (L/R clock)
12	AFSR1	I/O	–	Y	McASP1 receive frame sync (L/R clock)
113	AXR0[0]	I/O	–	Y	McASP0 serial data 0
115	AXR0[1]	I/O	–	Y	McASP0 serial data 1
116	AXR0[2]	I/O	–	Y	McASP0 serial data 2

Pin No.	Function Name	I/O			Detail of Function	
		TYPE ⁽¹⁾	PULL ⁽²⁾	GPIO ⁽³⁾		
117	AXR0[3]	I/O	–	Y	McASP0 serial data 3	
119	AXR0[4]	I/O	–	Y	McASP0 serial data 4	
120	SPI1_SCS	I/O	–	Y	McASP0 serial data 5 or SPI1 slave chip select	
121	SPI1_ENA	I/O	–	Y	McASP0 serial data 6 or SPI1 enable (Ready)	
122	SPI1_CLK	I/O	–	Y	McASP0 serial data 7 or SPI1 serial clock	
126	SPI1_SOMI	I/O	–	Y	McASP0 serial data 8 or McASP1 serial data 5 or SPI1 data pin slave out master in	
127	SPI1_SIMO	I/O	–	Y	McASP0 serial data 9 or McASP1 serial data 4 or SPI1 data pin slave in master out	
130	AXR0[10]	I/O	–	Y	McASP0 serial data 10 or McASP1 serial data 3	
131	AXR0[11]	I/O	–	Y	McASP0 serial data 11 or McASP1 serial data 2	
134	AXR0[12]	I/O	–	Y	McASP0 serial data 12 or McASP1 serial data 1	
135	AXR0[13]	I/O	–	Y	McASP0 serial data 13 or McASP1 serial data 0	
137	AXR0[14]	I/O	–	Y	McASP0 serial data 14 or McASP2 serial data 1	
138	AXR0[15]	I/O	–	Y	McASP0 serial data 15 or McASP2 serial data 0	
139	ACLKR0	I/O	–	Y	McASP0 receive bit clock	
141	AFSR0	I/O	–	Y	McASP0 receive frame sync (L/R clock)	
142	ACLKX0	I/O	–	Y	McASP0 transmit bit clock	
143	AHCLKR0/AHCLKR1	I/O	–	Y	McASP0 and McASP1 receive master clock	
144	AFSX0	I/O	–	Y	McASP0 transmit frame sync (L/R clock)	
SPI0, I2C0 and I2C1 serial port pins						
105	SPIO_ENA	I/O	–	Y	SPIO enable (Ready) or I2C1 serial data	
107	SPIO_ENA	I/O	–	Y	SPIO slave chip select or I2C1 serial clock	
108	SPIO_CLK	I/O	–	Y	SPIO serial clock or I2C0 serial clock	
110	SPIO_SIMO	I/O	–	Y	SPIO data pin slave in master out	
111	SPIO/SOMI	I/O	–	Y	SPIO data pin slave out master in or I2C0 serial data	
Clocks						
17	CLKIN	I	–	N	Alternate clock input (3.3 V LVCMOS input)	
22	OSCVSS	PWR	–	N	oscillator Vss tap point (for filter only)	
23	OSCIN	I	–	N	1.2 V oscillator input	
24	OSCOUT	O	–	N	1.2 V oscillator output (No connected.)	
25	OSCVDD	PWR	–	N	oscillator 1.2 V VDD tap point (for filter only)	
27	PLLHV	PWR	–	N	PLL 3.3 V supply input (requires external filter)	
Device reset						
14	RESET	I	–	N	Device reset pin	
Emulation/JTAG port						
19	TMS	I	IPU	N	Test mode select	
21	TRST	I	IPD	N	Test reset	
28	TDI	I	IPU	N	Test data in	
29	TDO	OZ	IPU	N	Test data out	
32	EMU[0]	I/O	IPU	N	Emulation pin 0	
34	EMU[1]	I/O	IPU	N	Emulation pin 1	
35	TCK	I	IPU	N	Test clock	
Power pins						
8	CVDD				Core supply	
16						
20						
33						
44						
53						
57						
65						
77						
85						
90						
101						
123						

Pin No.	Function Name	I/O			Detail of Function
		TYPE ⁽¹⁾	PULL ⁽²⁾	GPIO ⁽³⁾	
128	CVDD				Core supply
132					
10	DVDD				I/O supply
31					
42					
50					
60					
68					
73					
81					
92					
103					
112					
125					
136					
1		VSS			
6					
13					
15					
18					
26					
30					
36					
40					
47					
54					
62					
69					
72					
78					
82					
87					
95					
99					
106					
109					
114					
118					
124					
129					
133					
140					

- 1) TYPE column refers to pin direction in functional mode. If a pin has more than one function with different directions, the functions are separated with a slash (/).
- 2) PULL column:
 - IPD = Internal Pull-down resistor
 - IPU = Internal Pull-up resistor
- 3) If the GPIO column is 'Y', then in GPIO mode, the pin is configurable as an I/O unless otherwise marked.

IC202 : R2A15215FP (FUNCTION P.C.B.)
 8 ch electronic volume with 11 input selector and tone control

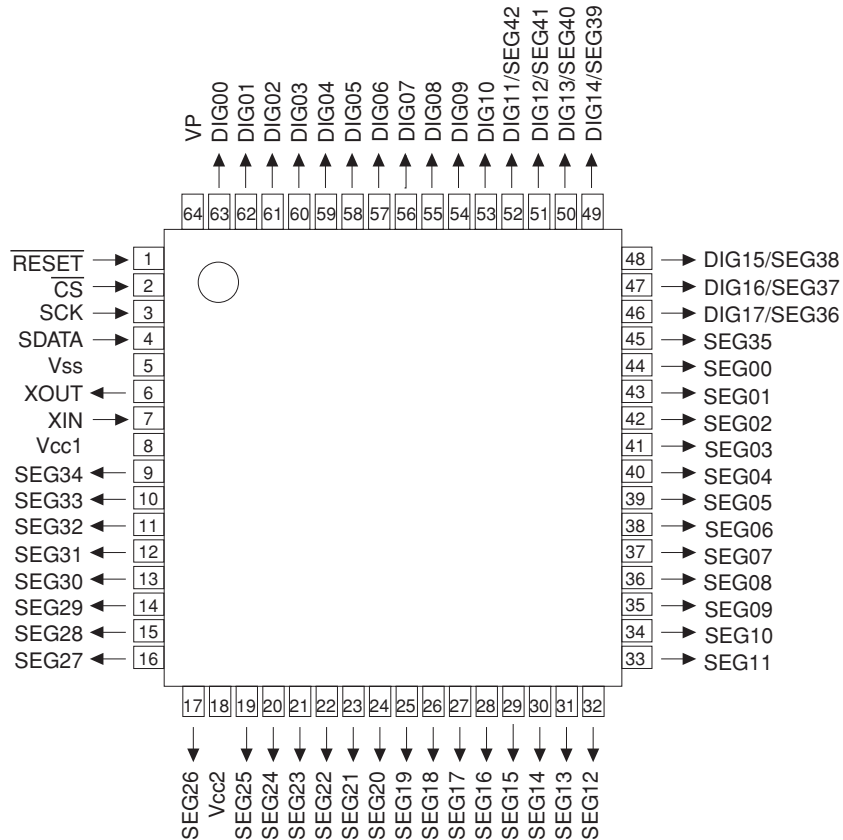
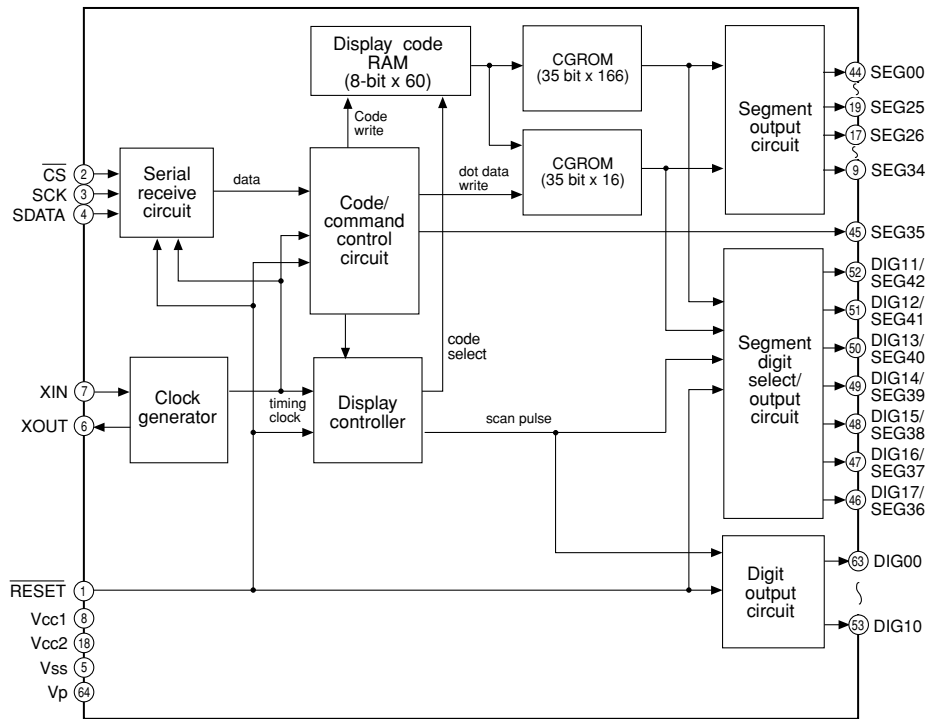


RX-V861/HTR-6080/DSP-AX861SE/ DSP-AX861

Pin No.	Function Name	Detail of Function
1	NC	
2	SBLC	Connects capacitor for reducing click noise of L/R/C/SW/SL/SR/SBL/SBR channel volume
3	SBL OUT	Output pin of FL/FR/C/SW/SL/SR/SBL/SBR channel
4	AGND	Analog ground of internal circuit
5	SBR OUT	Output pin of FL/FR/C/SW/SL/SR/SBL/SBR channel
6	SBRC	Connects capacitor for reducing click noise of L/R/C/SW/SL/SR/SBL/SBR channel volume
7	AGND	Analog ground of internal circuit
8	SLC	Connects capacitor for reducing click noise of L/R/C/SW/SL/SR/SBL/SBR channel volume
9	SLOUT	Output pin of FL/FR/C/SW/SL/SR/SBL/SBR channel
10	AGND	Analog ground of internal circuit
11	SROUT	Output pin of FL/FR/C/SW/SL/SR/SBL/SBR channel
12	SRC	Connects capacitor for reducing click noise of L/R/C/SW/SL/SR/SBL/SBR channel volume
13	NC	
14	SWC	Connects capacitor for reducing click noise of L/R/C/SW/SL/SR/SBL/SBR channel volume
15	SWOUT	Output pin of FL/FR/C/SW/SL/SR/SBL/SBR channel
16	AGND	Analog ground of internal circuit
17	COUT	Output pin of FL/FR/C/SW/SL/SR/SBL/SBR channel
18	CC	Connects capacitor for reducing click noise of L/R/C/SW/SL/SR/SBL/SBR channel volume
19	AGND	Analog ground of internal circuit
20	FLC	Connects capacitor for reducing click noise of L/R/C/SW/SL/SR/SBL/SBR channel volume
21	FLOUT	Output pin of FL/FR/C/SW/SL/SR/SBL/SBR channel
22	AGND	Analog ground of internal circuit
23	FROUT	Output pin of FL/FR/C/SW/SL/SR/SBL/SBR channel
24	FRC	Connects capacitor for reducing click noise of L/R/C/SW/SL/SR/SBL/SBR channel volume
25	NC	
26	BASSL1	Frequency characteristic setting pin of L/R channel tone control (Bass)
27	BASSL2	
28	TREL	Frequency characteristic setting pin of L/R channel tone control (Treble)
29	NC	
30	AVCC	Positive power supply to internal circuit
31	NC	
32	BASSR1	Frequency characteristic setting pin of L/R channel tone control (Bass)
33	BASSR2	
34	TRER	Frequency characteristic setting pin of L/R channel tone control (Treble)
35	NC	
36	SBLIN2	Input pin of L/R/C/SW/SL/SR/SBL/SBR channel (Multi IN 1/2)
37	SBRIN2	
38	CIN2	
39	SWIN2	
40	SLIN2	
41	SRIN2	
42	FLIN2	
43	FRIN2	
44	SBRCIN	Input pin for SBL/SBR channel volume
45	SBLCIN	
46	SUBL	Output pin for L/R channel SUB output
47	SUBR	
48	DGND	Digital ground of internal circuit
49	DATA	Input pin of control data
50	CLOCK	Input pin of control clock

Pin No.	Function Name	Detail of Function
51	MUTE	Outside mute control pin
52	AVEE	Negative power supply to internal circuit
53	NC	
54	ADCL	Output pin for L/R channel ADC
55	ADCR	
56	AGND	Analog ground of internal circuit
57	NC	
58	INR1	Input pin of L/R channel (Input selector)
59	INL1	
60	INR2	
61	INL2	
62	INR3	
63	INL3	
64	INR4	
65	INL4	
66	INR5	
67	INL5	
68	INR6	
69	INL6	
70	INR7	
71	INL7	
72	INR8	
73	INL8	
74	NC	
75	INRA/RECR1	Input pin of L/R channel (Input selector) / Output pin for L/R channel REC output
76	INLA/RECL1	
77	NC	
78	INR9	Input pin of L/R channel (Input selector)
79	INL9	
80	NC	
81	INRB/RECR2	Input pin of L/R channel (Input selector) / Output pin for L/R channel REC output
82	INLB/RECL2	
83	INR10/RECR4	
84	INL10/RECL4	
85	INR11/RECR5	
86	INL11/RECL5	
87	NC	
88	NC	
89	NC	
90	RECR3	Output pin for L/R channel REC output
91	RECL3	
92	NC	
93	FLIN1	Input pin of L/R/C/SW/SL/SR/SBL/SBR channel (Multi IN 1/2)
94	FRIN1	
95	CIN1	
96	SWIN1	
97	SLIN1	
98	SRIN1	
99	SBLIN1	
100	SBRIN1	

IC401 : M66003-0131FP (OPERATION P.C.B.)
 FL display driver

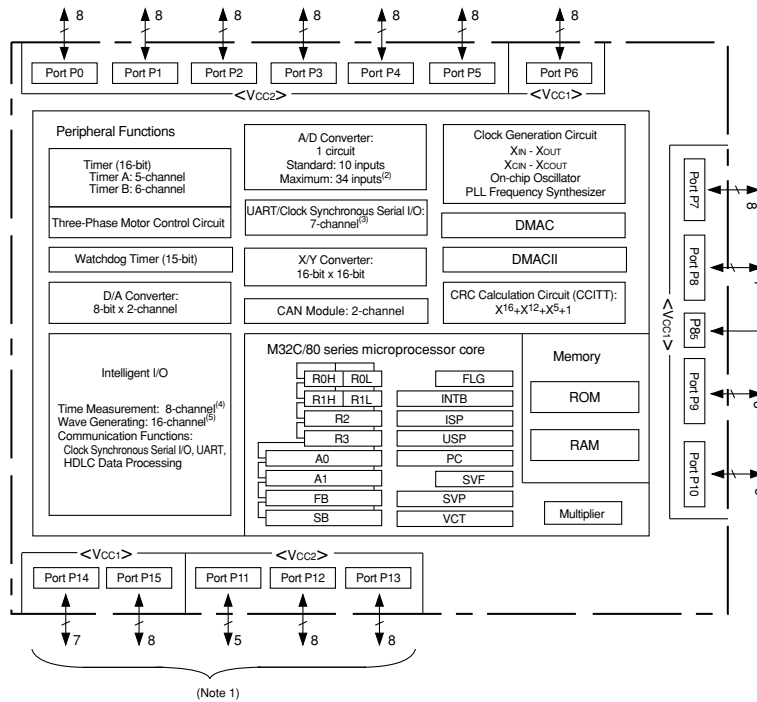


RX-V861/HTR-6080/DSP-AX861SE/DSP-AX861

Pin No.	Port Name	Function Name	I/O	Detail of Function
1	RESET	/RESET	Reset input	When "L", M66003 is initialized.
2	CS	/CEFL	Chip select input	When "L", communication with the MCU is possible.
3	SCK	CKFL	Shift clock input	When "H", any instruction from the MCU is neglected.
4	SDATA	DTFL	Serial data input	Serial input data is taken and shifted by the positive edge of SCK.
5	Vss	VSS		GND (0V)
6	XOUT	XOUT	Clock out	When use as a CR oscillator, connect external resistor and capacitor.
7	XIN	XIN	Clock in	When use an external clock input external clock to XIN, and XOUT must be opened.
8	Vcc1	VDD		Positive power supply for internal logic.
9	SEG34	P11	Segment output	Connect to segment (anode) pins of VFD.
10	SEG33	P2		
11	SEG32	P3		
12	SEG31	P4		
13	SEG30	P5		
14	SEG29	P6		
15	SEG28	P7		
16	SEG27	P8		
17	SEG26	P9		
18	Vcc2	VDD		Positive power supply for DIG and SEG outputs.
19	SEG25	P10	Segment output	Connect to segment (anode) pins of VFD.
20	SEG24	P11		
21	SEG23	P12		
22	SEG22	P13		
23	SEG21	P14		
24	SEG20	P15		
25	SEG19	P16		
26	SEG18	P17		
27	SEG17	P18I		
28	SEG16	P19		
29	SEG15	P20		
30	SEG14	P21		
31	SEG13	P22		
32	SEG12	P23		
33	SEG11	P24		
34	SEG10	P25		
35	SEG09	P26		
36	SEG08	P27		
37	SEG07	P28		
38	SEG06	P29		
39	SEG05	P30		
40	SEG04	P31		
41	SEG03	P32		
42	SEG02	P33		
43	SEG01	P34		
44	SEG00	P35		
45	SEG35	P36		
46	SEG36	P37		
47	DIG16/SEG37	G17I	Digital output	Connect to digit (grid) pins of VFD.
48	DIG15/SEG38	G16I		
49	DIG14/SEG39	G15I		
50	DIG13/SEG40	G14		
51	DIG12/SEG41	G13		
52	DIG11/SEG42	G12		
53	DIG10	G11		
54	DIG09	G10		
55	DIG08	G9		
56	DIG07	G8		
57	DIG06	G7		
58	DIG05	G6		
59	DIG04	G5		
60	DIG03	G4		
61	DIG02	G3		
62	DIG01	G2		
63	DIG00	G1		
64	VP	VP		Negative power supply to pull down.

IC301 : M30878JBGP (VIDEO P.C.B.)
Single chip 16/32-bit microprocessor

RX-V861/HTR-6080/DSP-AX861SE/
DSP-AX861



- (Note 1)
- NOTES:
1. Ports P11 to P15 are provided in the 144-pin package only.
 2. Included in the 144-pin package only, 26 inputs maximum in the 100-pin package.
 3. 6-channel available in the 100-pin package.
 4. 6-channel available in the 100-pin package.
 5. 10-channel available in the 100-pin package.

108	TRIG	72	CPNTD
107	noI/O	71	/MTMON
106	SFA	70	/MTVR2
105	SFB	69	/MTVR1
104	REM	68	/OSDCE(MOD2)
103	PSW	67	/ICV
102	FDET	66	SVDDET
101	SFC	65	BYPASS(/CE)
100	SBRY	64	VIC
99	ZZRY	63	VIB
98	FRI	62	VIA
97	FRY	61	DP_SEL
96	PSV	60	/RES_TX
95	/TUNED	59	Vcc2
94	Vss	58	/RES_RX
93	Vss	57	Vss
92	TINT	56	DDC_SEL0
91	Vcc2	55	DDC_SEL1
90	SOTIP	54	/INTH_RT(/EPM)
89	SOKP	53	/DDC_ENB
88	SDRP	52	HPD1ENB
87	CEP	51	DTEV
86	DTEX(MOD1)	50	HPD0ENB
85	CKEX	49	CKEV
84	MITZ	48	/AUPH
83	MITFS	47	/ICS
82	MITSB	46	FET
81	MITSW	45	SCLH
80	MITCT	44	SDAH
79	INTHP	43	/MIC(BSY)
78	IONON	42	/HP(CLKF)
77	CBYPASS	41	Vss
76	Vss	40	RXDF
75	CMPI	39	Vcc1
74	Vcc2	38	TXDF
73	CMPO	37	SDAL(Nch OD out)
109	PDLED		
110	/RSTFD		
111	ISA		
112	ISB		
113	TONEA		
114	TONEB		
115	VRA		
116	VRB		
117	RMSCNCK		
118	RMSCN		
119	SCEN0		
120	SCEN1		
121	SCEN2		
122	/CEFD(MOD0)		
123	S2DET		
124	L3DET		
125	PLDET		
126	PRD		
127	MASTER		
128			
129	SCKN		
130	Vss		
131	SDTN		
132	Vcc		
133	ADKEY0		
134	ADKEY1		
135	PRV1		
136	PRV2		
137	VPWR		
138	THM		
139	DEST		
140	AVss		
141	iPAP		
142	VREF		
143	AVcc		
144	RXDi		
1	TXDi		
2	/NW_RST		
3	LC		
4	IPDET		
5	DTX(MT)XDRS(/RDRS)		
6	DRX(MR)DRS)		
7	XLINK(CLRDS)		
8	XIMPWR(CERDS)		
9	/ICX(MR)STRDS)		
10	XIMREV		
11	/LOADC		
12	/CGDIR		
13	/CSDIR		
14	/ICTI		
15	BYTE		
16	GNVSS		
17	CSST		
18	/CSDAC		
19	/RESET		
20	Xout		
21	Vss		
22	Xin		
23	Vcc1		
24	/NMI		
25	/INTDIR		
26	/INTI		
27	/FSOFF		
28	/SPRDY		
29	SDI		
30	SCK		
31	SDM		
32	HDIMT		
33	MUTETI		
34	/INPAD		
35	/CEEP		
36	SCLL(Nch OD out)		

Pin No.	Port Name	Function Name (P.C.B.)	I/O			Detail of Function
			Power ON	STANDBY	AC OFF	
1	TXD4	TXDi	SO	O	O	Asynchronous data output for iPod
2	P95	/NW_RST	O	O	O	
3	DA1	LC	DA	I	I	Limiter control output
4	TB3in	iPDET	TMR	TMR	TMR	iPod DOCK installation detection
5	TXD3	DTXM	SO	O	O	Asynchronous data output for XM/DT IC (U, C models)
	P92	(TXDRDS/RDYRDS)	I	O	O	READY input for new RDS IC (G, E models)
6	RXD3	DRXM	SI	O	O	Asynchronous data input for XM/DT IC (U, C models)
		(RXDRDS)	SI	O	O	Synchronous data input for RDS IC (G, E models)
7	P90	XMLINK	I	O	O	LINK ACTIVE input for XM/DT IC (U, C models)
	CLK3	(CLKRDS)	SO	O	O	Synchronous clock output for RDS IC (G, E models)
8	P146	XMPWR	O	O	O	Power ON output for XM antenna (U, C models)
9	P145	/ICXM	O	O	O	Reset output for SM/DT IC (U, C models)
		(RSTRDS)	O	O	O	Reset output for new RDS IC (G, E models)
10	P144	XMREV	I	O	O	ANT_REV input for XM/DT IC, High: Non-compatible antenna
11	P143	/ICADC	O	O	O	AD converter power down
12	P142	/ICDIR	O	O	O	Initial clear output for DIR
13	P141	/CSDIR	O	O	O	Chip select output for DIR
14	P140	/ICTI	O	O	O	Initial clear output for T1 (DA70Y)
15	BYTE	BYTE	MCU	MCU	MCU	When in single chip mode: Vss [GND]
16	CNVss	CNVss	MCU	MCU	MCU	Processor mode selection, Low: single chip mode, High: To boot mode with built-in flash, To boot mode with P50=H, P55=L, CNVss=H when resetting hardware
17	P87	/CSTI	O	O	O	Chip select output for T1 (DA70Y)
18	P86	/CSDAC	O	O	O	Chip select output for DAC (common to 2ch/8ch)
19	RESET	/RESET	MCU	MCU	MCU	Reset
20	Xout	Xout	MCU	MCU	MCU	Oscillation output
21	Vss	Vss	MCU	MCU	MCU	Microprocessor ground [GND]
22	Xin	Xin	MCU	MCU	MCU	Oscillation input
23	Vcc1	Vcc1	MCU	MCU	MCU	Microprocessor power +5BU [Vcc]
24	NMI	/NMI	MCU	I	I	Unused, connect to Vcc
25	INT2	/INTDIR	IRQ	O	O	Interrupt input for DIR
26	INT1	/INTT1	IRQ	O	O	Interrupt input for T1 (DA70Y)
27	P82/INT0	/PSOFF	O	O	O	
28	P81	/SPIRDY	I	O	O	READY input for T1 (DA70Y)
29	RXD5	SDD	SI	O	O	Synchronous data input for DIR, T1 (DA70Y), DAC // DIR: 4M, LSBF / T1: 1M, MSBF
30	CLK5	SKC	SO	O	O	Synchronous clock output for DIR, T1 (DA70Y), DAC
31	TXD5	SDM	SO	O	O	Synchronous data output for DIR, T1 (DA70Y), DAC // DIR: 4M, LSBF / T1: 1M, MSBF
32	TA2in	HDIMT	TMR	O	O	HDMI mute input
33	P74/TA2out	MUTETI	O	O	O	Mute output for T1 (DA70Y) (HI=MUTE)
34	TA1in	/INTAD	TMR	O	O	Interrupt input for VIDEO ENC/DEC IC
35	P72	/CEEEP	O	O	O	Chip enable output for EEPROM
36	SCL2	SCLL(Nch OD out)	SIO	O	O	12C clock input/output for frequency counter (100kHz device), 1.5k Pull-up to +5S
37	SDA2	SDAL(Nch OD out)	SIO	O	O	12C data input/output for frequency counter (100kHz device), 1.5k Pull-up to +5S
38	TxD1	TXDi	SO	O	O	Asynchronous data output for iPod
		TXDF	SO			Data output for AF220
39	Vcc1	Vcc1	MCU	MCU	MCU	Microprocessor power +5BU [Vcc]
40	RxD1	RXDi	SI	O	O	Asynchronous data input for iPod
		RXDF	SI			Data input for AF220
41	Vss	Vss	MCU	MCU	MCU	Microprocessor ground [GND]
42	P65	/HP	I	O	O	HEAD PHONE detection, pull-down at 220k-ohms
		(CLKF)	SI			Clock output for AF220 MIC detection, pull-down at 220k-ohms
43	P64	/MIC	I	O	O	MIC detection, pull-down at 220k-ohms
		(BSY)	O			BUSY output for AF220
44	SDA0	SDAH	SIO	O	O	HDMI-RX, VIDEO-DEC/ENC I2C clock input/output (400kHz device), 1.5k pull-up to +5S
45	SCL0	SCLH	SIO	O	O	HDMI-RX, VIDEO-DEC/ENC I2C data input/output (400kHz device), 1.5k pull-up to +5S
46	P61	FET	O	O	O	
47	P60	/ICS	O	O	O	Reset output for VIDEO SCALER IC
48	P137	/AUPH	O	O	O	HDMI (decoder output) ON/OFF
49	ISCLK2	CKEV	SO	O	O	Synchronous clock output for electronic volume
50	P135	HPD0ENB	O	O	O	Pull-down by HDMI P.C.B.
51	ISTXD2	DTEV	SO	O	O	Synchronous data output for electronic volume
52	P57	HPD1ENB	O	O	O	Pull-down by HDMI P.C.B.
53	P56	/DDC_ENB	O	I	I	Enable output for DDC, pull-up to +5H by HDMI P.C.B.
54	P55	/INTH_RT	I	O	O	HDMI interrupt (polarity invertible by HDMI Rx, Tx register)
		(/EPM)	I			47k-ohms pull-down for flash writing mode
55	P54	DDC_SEL1	O	O	O	DDC select 1
56	P133	DDC_SEL0	O	O	O	DDC select 0
57	Vss	Vss	MCU	MCU	MCU	Microprocessor ground [GND]
58	P132	/RES_RX	O	O	O	Reset output for HDMI Rx IC, pull-down by HDMI P.C.B.

Pin No.	Port Name	Function Name (P.C.B.)	I/O			Detail of Function
			Power ON	STANDBY	AC OFF	
59	Vcc2	Vcc2	MCU	MCU	MCU	Microprocessor power +5BU [Vcc]
60	P131	/RES_TX	O	O	O	Reset output for HDMI Tx IC, pull-down by HDMI P.C.B.
61	P130	DP_SEL	O	O	O	DSD/ PCM select
62	P53	VIA	O	O	O	CVBS/S input select A
63	P52	VIB	O	O	O	CVBS/S input select B
64	P51	VIC	O	O	O	CVBS/S input select C
65	P50	BYPASS (/CE)	O	I	I	BYPASS CVBS/S select 10k-ohms pull-up (+5BU) for flash writing mode
66	P127	SVDET	I	O	O	S-Video signal detect
67	P126	/ICV	O	O	O	Reset output for VIDEO ENC/DEC IC
68	P125	/OSDCE (MOD2)	O	O	O	Chip enable output for OSD IC MODEL discriminate 2
69	P47	/MTVR1	O	O	O	VCR1 mute output
70	P46	/MTVR2	O	O	O	VCR2 mute output
71	P45	/MTMON	O	O	O	MONITOR mute output
72	P44	CPNTD	I	O	O	Component signal detect
73	P43	CMP0	O	O	O	Component input select 0
74	Vcc2	Vcc2	MCU	MCU	MCU	Microprocessor power +5BU [Vcc]
75	P42	CMP1	O	O	O	Component input select 1
76	Vss	Vss	MCU	MCU	MCU	Microprocessor ground [GND]
77	P41	CBYPASS	O	O	O	BYPASS component select
78	P40	/CNON	O	O	O	Component mute
79	P37	/MTHP	O	O	O	Mute head phone
80	P36	/MTCT	O	O	O	Mute center
81	P35	/MTSW	O	O	O	Mute SW
82	P34	/MTSB	O	O	O	Mute SBL/SBR
83	P33	/MTFS	O	O	O	Mute FL/FR/SL/SR
84	P32	/MTZ2	O	O	O	Mute Zone2
85	P31	CKEX	O	O	O	Patterning synchronous clock output for extended input selector
86	P124	DTEX (MOD1)	O	O	O	Patterning synchronous data output for extended input selector Model discriminate 1
87	P123	CEP	O	O	O	Chip enable output for tuner PLL
88	RXD6	SDRP	SI	O	O	Synchronous data input for tuner PLL
89	CLK6	SCKP	SO	O	O	Synchronous clock output for tuner PLL
90	TXD6	SDTP	SO	O	O	Synchronous data output for tuner PLL
91	Vcc2	Vcc2	MCU	MCU	MCU	Microprocessor power +5BU [Vcc]
92	P30	TMT	O	O	O	TUNER mute output
93	Vss	Vss	MCU	MCU	MCU	Microprocessor ground [GND]
94	P27	/TUNED	I	O	O	TUNER TUNED input, pull-up to +5S
95	P26	/ST	I	O	O	TUNER STEREO input, pull-up to +5S
96	P25	PSV	O	O	O	+5S ON/OFF control
97	P24	PRY	O	O	O	Power relay control
98	P23	PRI	I	O	O	Protection excess current detect
99	P22	Z2RY	O	O	O	Zone2 SP relay control
100	P21	SBRY	O	O	O	Surround back SP relay control
101	P20	SPC	O	O	O	Center & surround SP relay control
102	INT5	PDET	IRQ	IRQ	IRQ	Interrupt input for power-down detect
103	INT4	/PSW	IRQ	IRQ	IRQ	MASTER/MAIN/Zone2 Power/ SCENE 1-4 SW, interrupt
104	INT3	REM	IRQ	IRQ	IRQ	Remote control pulse input
105	P14	SPB	O	O	O	Front SP B relay control
106	P13	SPA	O	O	O	Front SP A relay control
107	P12	4ohm	O	O	O	Impedance control, ±B voltage control
108	P11	TRIG	O	O	O	DCTRIGGER output
109	P10	PDLED	O	O	O	PURE DIRECT LED
110	P07	/RSTFD	O	O	O	Reset output for FL driver
111	P06	ISA	O	O	O	Rotary A for input selector
112	P05	ISB	I	O	O	Rotary B for input selector
113	P04	TONEA	I	O	O	Rotary A for TONE/PROGRAM
114	P114	TONEB	I	O	O	Rotary B for TONE/PROGRAM
115	P113	VRA	I	O	O	Rotary A for volume
116	P112	VRB	I	O	O	Rotary B for volume
117	ISCLK1	RMSCNCK	SO	O	O	
118	ISTXD1	RMSCN	SO	O	O	Scene select DVD control remote control code output
119	P03	SCEN0	O	O	O	SCENE button LED control 0
120	P02	SCEN1	O	O	O	SCENE button LED control 1
121	P01	SCEN2	O	O	O	SCENE button LED control 2
122	P00	/CEFD (MOD0)	O	O	O	Chip enable output for FL driver MODEL detect 0

Pin No.	Port Name	Function Name (P.C.B.)	I/O			Detail of Function
			Power ON	STANDBY	AC OFF	
123	AN157	S2DET	AD	O	O	AD S1/S2 voltage detect
124	AN156	L3DET	AD	O	O	AD L3 voltage detect
125	AN155	PLDET	AD	O	O	SP output level detect for AD power limiter
126	AN154	PRD	AD	O	O	AD protection power amplifier DC detect
127	P153	MASTER	I	O	O	MASTER ON/OFF detect
128	P152/AN152	-	O	O	O	
129	ISCLK0	SCKN	SO	O	O	Synchronous clock output for FL DRIVER IC, synchronous clock output for OSD IC
130	Vss	Vss	MCU	MCU	MCU	Microprocessor ground [GND]
131	ISTXD0	SDTN	SO	O	O	Synchronous data output for FL DRIVER IC, synchronous data output for OSD IC
132	Vcc1	Vcc	MCU	MCU	MCU	Microprocessor power +5BU [Vcc]
133	AN7	ADKEY0	AD	AD	[I/O]	AD KEY1: Key detection for AD port
134	AN6	ADKEY1	AD			AD KEY0: Key detection for AD port
135	AN5	PRV1	AD	O	O	AD protection power voltage detect 1
136	AN4	PRV2	AD	O	O	AD protection power voltage detect 2
137	P103	VPWR	O	I	I	VIDEO power control, Low at VIDEO OFF
138	AN2	THM	AD	O	O	AD temperature detect
139	AN1	DEST	AD	O	O	Destination detection
140	AVss	AVss	MCU	MCU	MCU	Microprocessor ground [GND]
141	P100	iPAP	I	O	O	iPod accessory power detect
142	Vref	VREF	MCU	MCU	MCU	Microprocessor power +5M
143	AVcc	AVcc	MCU	MCU	MCU	Microprocessor power +5BU [Vcc]
144	RXD4	RXDi	SI	O	O	Asynchronous data input for iPod

Key detection for AD port

Key input (A/D) pull-up resistance 10 k-ohms

RX-V861 (U, C, R, T, K, A, G, E, L models), HTR-6080 (G model)

Ohm	0	+1.0 k	+1.0 k	+1.5 k	+2.2 k	+3.3 k	+4.7 k	+4.7 k	+6.8 k	+10.0 k	+22.0 k
V	0-0.23	0.24-0.64	0.65-1.06	1.07 - 1.55	1.56-2.09	2.10-2.62	2.63-3.06	3.07-3.40	3.41-3.73	3.74-4.07	PURE DIRECT
ADKEY0 (133 pin)	MAIN ZONE ON/OFF	SCENE1	SCENE2	-	-	STRAIGHT	TONE CONTROL	SEARCH MODE / EDIT	-	SPEAKERS	-
ADKEY1 (134 pin)	Zone2 ON/OFF	SCENE3	SCENE4	ZONE CONTROL	AUDIO SELECT	FM/AM	A/B/C/D/E	PRESET <	PRESET >	MEMORY	DISPLAY

HTR-6080 (U, C models), DSP-AX861 (J model)

Ohm	0	+1.0 k	+1.0 k	+1.5 k	+2.2 k	+3.3 k	+4.7 k	+4.7 k	+6.8 k	+10.0 k	+22.0 k
V	0-0.23	0.24-0.64	0.65-1.06	1.07-1.55	1.56-2.09	2.10-2.62	2.63-3.06	3.07-3.40	3.41-3.73	3.74-4.07	PURE DIRECT
ADKEY0 (133 pin)	-	SCENE1	SCENE2	-	-	STRAIGHT	TONE CONTROL	SEARCH MODE / EDIT	-	SPEAKERS	PURE DIRECT
ADKEY1 (134 pin)	NIGHT	SCENE3	SCENE4	SLEEP	AUDIO SELECT	FM/AM	A/B/C/D/E	PRESET <	PRESET >	MEMORY	DISPLAY

DSP-AX861SE (B model)

Ohm	0	+1.0 k	+1.0 k	+1.5 k	+2.2 k	+3.3 k	+4.7 k	+4.7 k	+6.8 k	+10.0 k	+22.0 k
V	0-0.23	0.24-0.64	0.65-1.06	1.07-1.55	1.56-2.09	2.10-2.62	2.63-3.06	3.07-3.40	3.41-3.73	3.74-4.07	PURE DIRECT
ADKEY0 (133 pin)	-	SCENE1	SCENE2	-	-	STRAIGHT	TONE CONTROL	-	-	SPEAKERS	PURE DIRECT
ADKEY1 (134 pin)	-	SCENE3	SCENE4	-	AUDIO SELECT	-	-	-	-	-	-

Destination detection for AD port

Pull-up resistance 10 k-ohms

Ohm	0.0 k	1.2 k	2.7 k	4.7 k	6.8 k	10.0 k	15.0 k	27.0 k	47.0 k	100.0 k	-
V	0-0.3	0.4-0.7	0.8-1.3	1.4-1.8	1.9-2.2	2.3-2.7	2.8-3.2	3.3-3.8	3.9-4.3	4.4-4.7	4.8-5.0
A/D (5 V=255)	0-13	14-40	41-68	69-92	93-115	116-140	141-170	171-198	199-221	222-243	245-255
DEST, 139pin	J	U, C	-	R	T	K	A	B	G, E	L	-

Model detection

1: Pull-up / 0: Pull-down

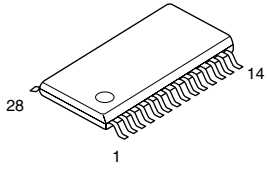
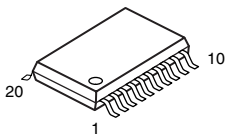
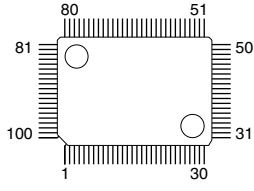
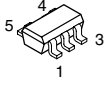
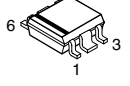
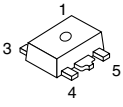
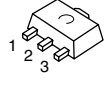
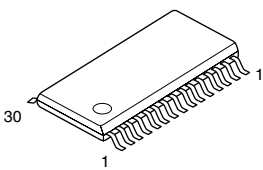
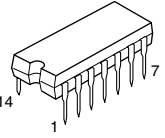
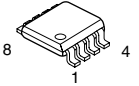
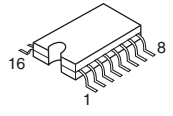
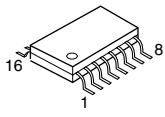
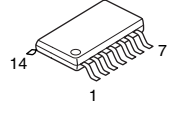
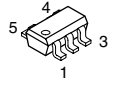
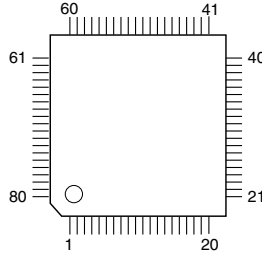
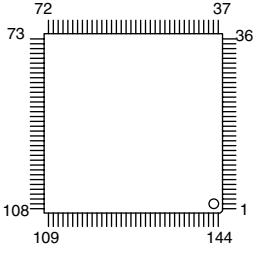
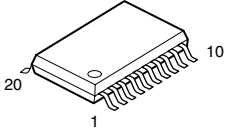
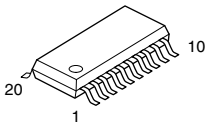
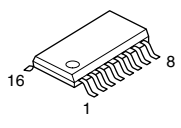
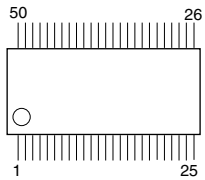
Model	RX-V861/DSP-AX861SE/DSP-AX861	HTR-6080
/CEFD/MOD0 (122 pin)	0	1

PIN CONNECTION DIAGRAMS

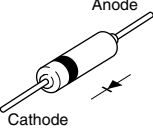
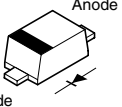
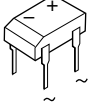
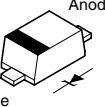
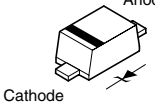
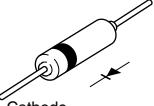
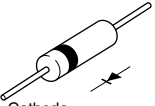
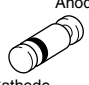
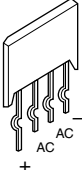
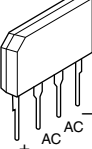
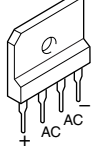
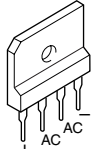
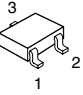
ICs

<p>ABT1010PQ100A</p>	<p>ADV7172KST</p>	<p>ADV7401BSTZ-80</p>	<p>D70YE101BRFP266 M30878JBGp</p>	
<p>AD8056AR</p>	<p>BA15218F</p>	<p>CD4051BNSR</p>	<p>F2621E-01-TR</p>	<p>KIA7805API</p>
<p>LA7106M-TLM-E LC72725KM-UY-TLM-E MM74HC4053SJX PCM1780DBQR PCM1781DBQR</p>	<p>LA73050-TLM-E</p>	<p>LC74782JM-8A16-TLMC</p>	<p>EN29L400AB-70TC S29AL004D7</p>	
<p>LC89057W-VF4AD-E</p>	<p>LM61CIZ</p>	<p>M66003-0131FP-R</p>	<p>M24C02-WMN6TP</p>	<p>NJM2068MD-TE2</p>
<p>NJM2388F33 NJM2388F05</p> <p>1. V_{IN} 2. V_{OUT} 3. GND 4. ON/OFF CONTROL</p>	<p>NJM2391DL1-33</p> <p>1:IN 2:GND 3:OUT</p>	<p>NJM2396F63</p> <p>1 4</p>	<p>NJM2581M</p> <p>14 7 1</p>	<p>NJM2867F3-05 TC7SET32FU</p> <p>5 4 3 1</p>
<p>NJM2388F09 NJM2396F05</p> <p>1 4</p> <p>1. IN 2. V_{OUT} 3. GND 4. ON/OFF CONTROL</p>	<p>NJM2845DL1-18 NJM2885DL1-05</p> <p>2:GND 3:VOUT 1:VIN</p>	<p>NJM4565M</p> <p>8 4 1</p>	<p>NJM78M05DL1A</p> <p>1 2 3</p> <p>1: IN 2: GND 3: OUT</p>	

RX-V861/HTR-6080/DSP-AX861SE/DSP-AX861

<p>PCM1680DBQR</p> 	<p>PCM1803DBR</p> 	<p>R2A15215FP</p> 	<p>R1131N181D</p> 	<p>R1172S121D-E2-F</p> 
<p>R1172H331D-T1-F</p>  <p>1: CE 2: GND 3: NC 4: VDD 5: Vout</p>	<p>RH5RE58AA-T1-FA</p>  <p>1: Vin 2: GND 3: Vout</p>	<p>TA1318AF</p> 	<p>TC4013BP</p> 	<p>TC7WZ32FK (TE85L, F)</p> 
<p>TC74HC4051AFEL TC74HC4052AF TC74VHC157FT</p> 	<p>TC74VHC153FT TC74VHC157FT</p> 	<p>TC74VHCT08AFT TC74VHCU04FT (EL)</p> 	<p>TC7SH04FU-TE85L</p> 	
<p>SII9030CTU-7</p> 	<p>SII9033CTU</p> 	<p>SN74LVC245APWR</p> 	<p>SN74LV245APWR</p> 	
<p>SN74CBT3253CPWR</p> 	<p>W9816G6CH-7</p> 			

• Diodes

<p>1N4002S 1SS133 1SS176 1SS270A</p> 	<p>1SS355 1SS380 UDZ3.6BTE-17 3.6V UDZ5.1B</p> 	<p>DB105</p> 	<p>MA8030-L 2.9V MA8051-M 5.1V MA8056-M 5.6V MA8068-M 6.8V MA8075-H 7.7V MA8091 9.1V MA8091-M 9.1V MA8100-M 10.0V MA8100-H 10.3V</p> 	
<p>MA8024-(TX) 2.4V</p> 	<p>MTZJ2.4B MTZJ5.1C MTZJ13B MTZJ15B MTZJ30A</p> 	<p>RB441Q-40</p> 	<p>RLZ7.5B 7.5V</p> 	
<p>RS103-B-D-V50</p> 	<p>RS203M-B-C-J80</p> 	<p>RS403M</p> 	<p>RS603M-B-C-J80 TS6P03G 6.0A 200V</p> 	<p>SB01-05Q</p> 

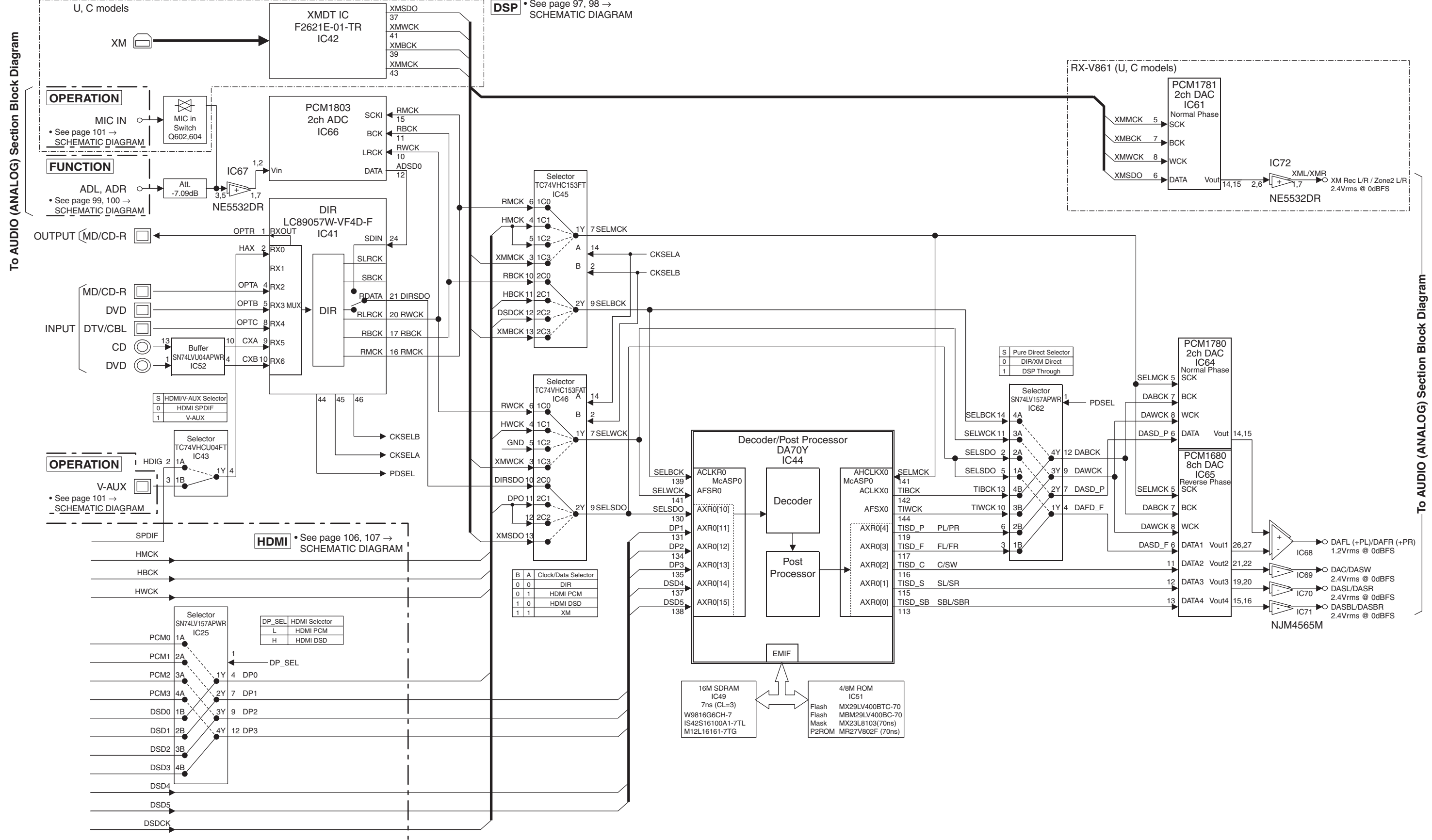
RX-V861/HTR-6080/DSP-AX861SE/DSP-AX861

• Transistors

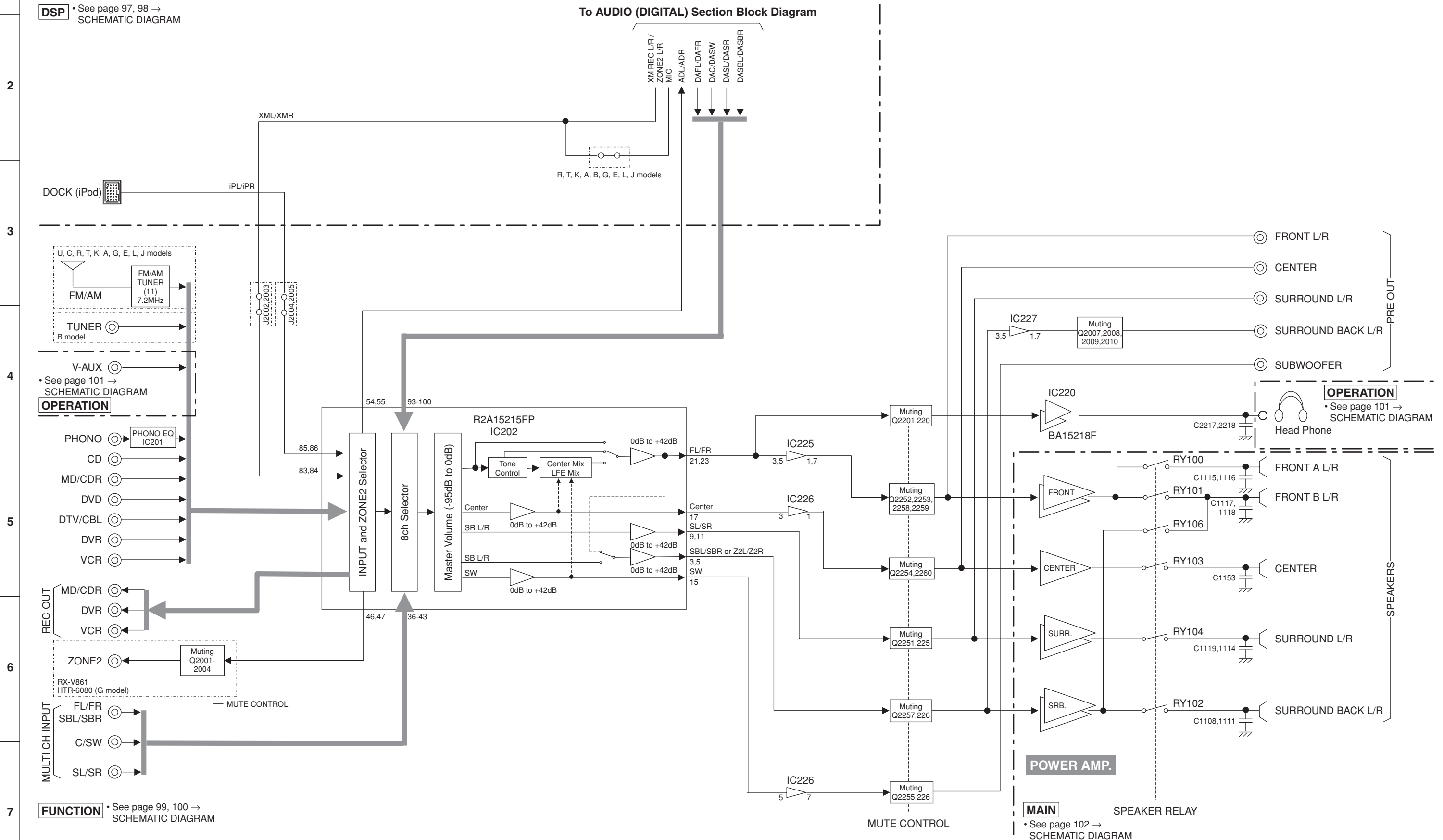
<p>2N5401C-AT/P 2SA1015-Y (TPE2,F)</p> <p>1: Emitter 2: Collector 3: Base</p>		<p>2N5551C-AT 2N5401C-AT</p> <p>B C E</p>		<p>2SA949 2SC1815 2SC1890A 2SC2229</p> <p>E C B</p>		<p>2SA1708</p> <p>E C B</p>		
<p>2SA1037K 2SA1576A</p> <p>C B E</p>	<p>2SA1770S/T-AN</p> <p>1: Emitter 2: Collector 3: Base</p>		<p>2SA1695 O,P,Y 2SC4468 O,P,Y</p> <p>1: Base 2: Collector 3: Emitter</p>		<p>2SB1257 2SD2014</p> <p>1: Base 2: Collector 3: Emitter</p>		<p>2SC1740S</p> <p>B C E</p>	
<p>2SC2412K</p> <p>C B E</p>		<p>2SC3326-A (TE85R, F) 2SC3326-B (TE85R, F)</p> <p>1: Base 2: Emitter 3: Collector</p>		<p>2SC4081 T106</p> <p>1: Emitter 2: Base 3: Collector</p>		<p>2SC4614S/T-AN</p> <p>1: Emitter 2: Collector 3: Base</p>		
<p>2SD1915F</p> <p>E C B</p>	<p>2SD1938</p> <p>C B E</p>	<p>μPA672T-T1-A</p> <p>1: Source 1 (S1) 2: Gate 1 (G1) 3: Drain 2 (D2) 4: Source 2 (S2) 5: Gate 2 (G2) 6: Drain 1 (D1)</p>		<p>2SK246-Y (TPE2, F)</p> <p>1: Source 2: Gate 3: Drain</p>				
<p>2SK3288ENTL-E</p> <p>1 2 3</p>	<p>2SK3850-E</p> <p>1: Gate 2: Drain 3: Source 4: Drain</p>		<p>3LN01C-TB-E</p> <p>D G S</p>	<p>DTA114EKA DTC114EKA DTC124EKA DTC144EKA</p> <p>1: GND 2: IN 3: OUT</p>		<p>DTC144ESA-TP</p> <p>1: GND/Emitter 2: OUT/Collector 3: IN/Base</p>		
<p>KRA102S-RTK/P KRC102S-RTK</p> <p>OUT COMMON IN</p>		<p>KTA1504S KTC3875S</p> <p>Collector Emitter Base</p>		<p>KTA1046-Y-U/P</p> <p>1: Base 2: Collector 3: Emitter</p>		<p>KRA102M-AT/P KRC102M-AT</p> <p>1: Emitter 2: Collector 3: Base</p>		

■ BLOCK DIAGRAMS

AUDIO (DIGITAL) SECTION BLOCK DIAGRAM



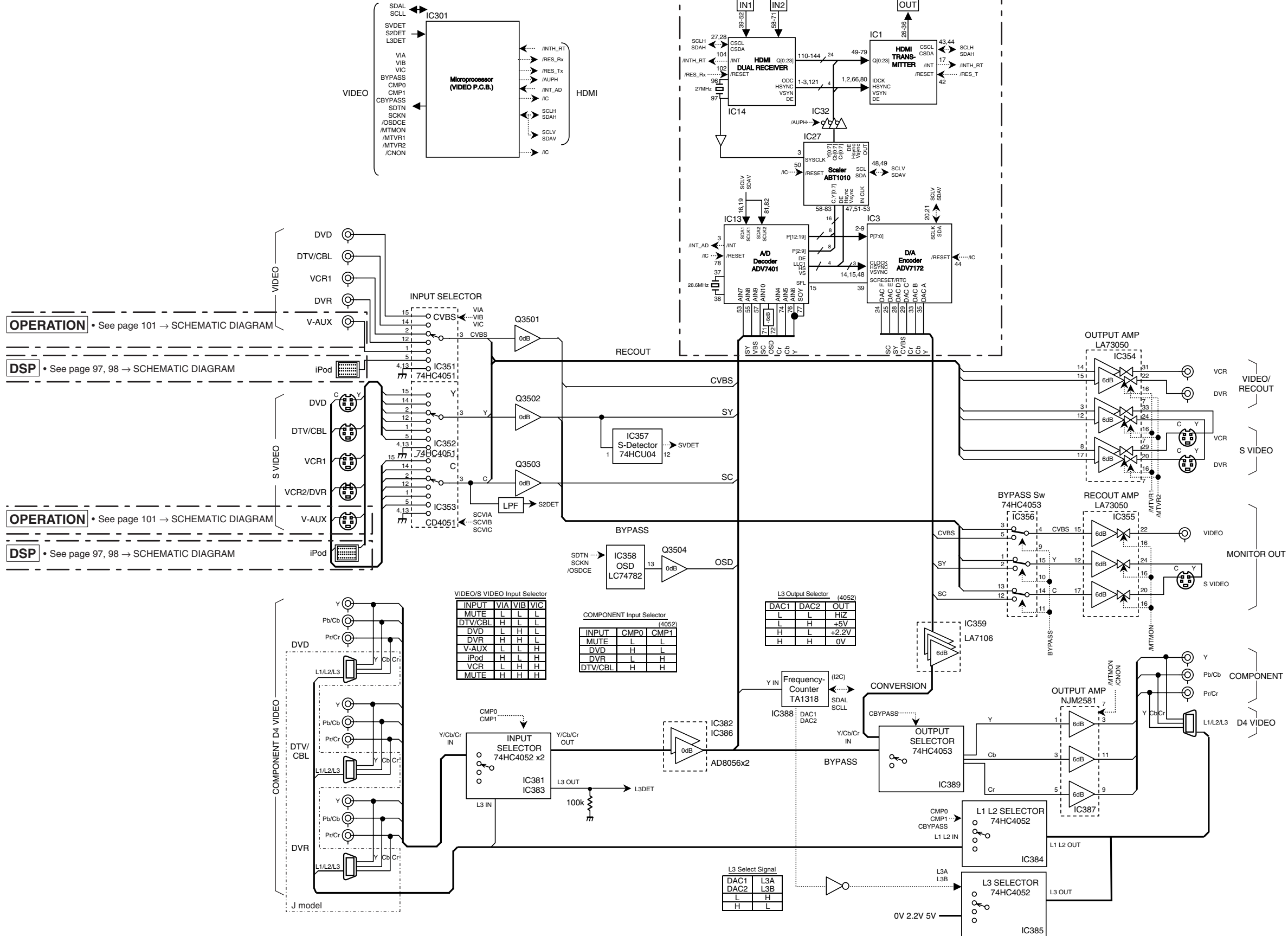
AUDIO (ANALOG) SECTION BLOCK DIAGRAM



VIDEO / HDMI SECTION BLOCK DIAGRAM

VIDEO • See page 103-105 → SCHEMATIC DIAGRAM

HDMI • See page 106, 107 → SCHEMATIC DIAGRAM



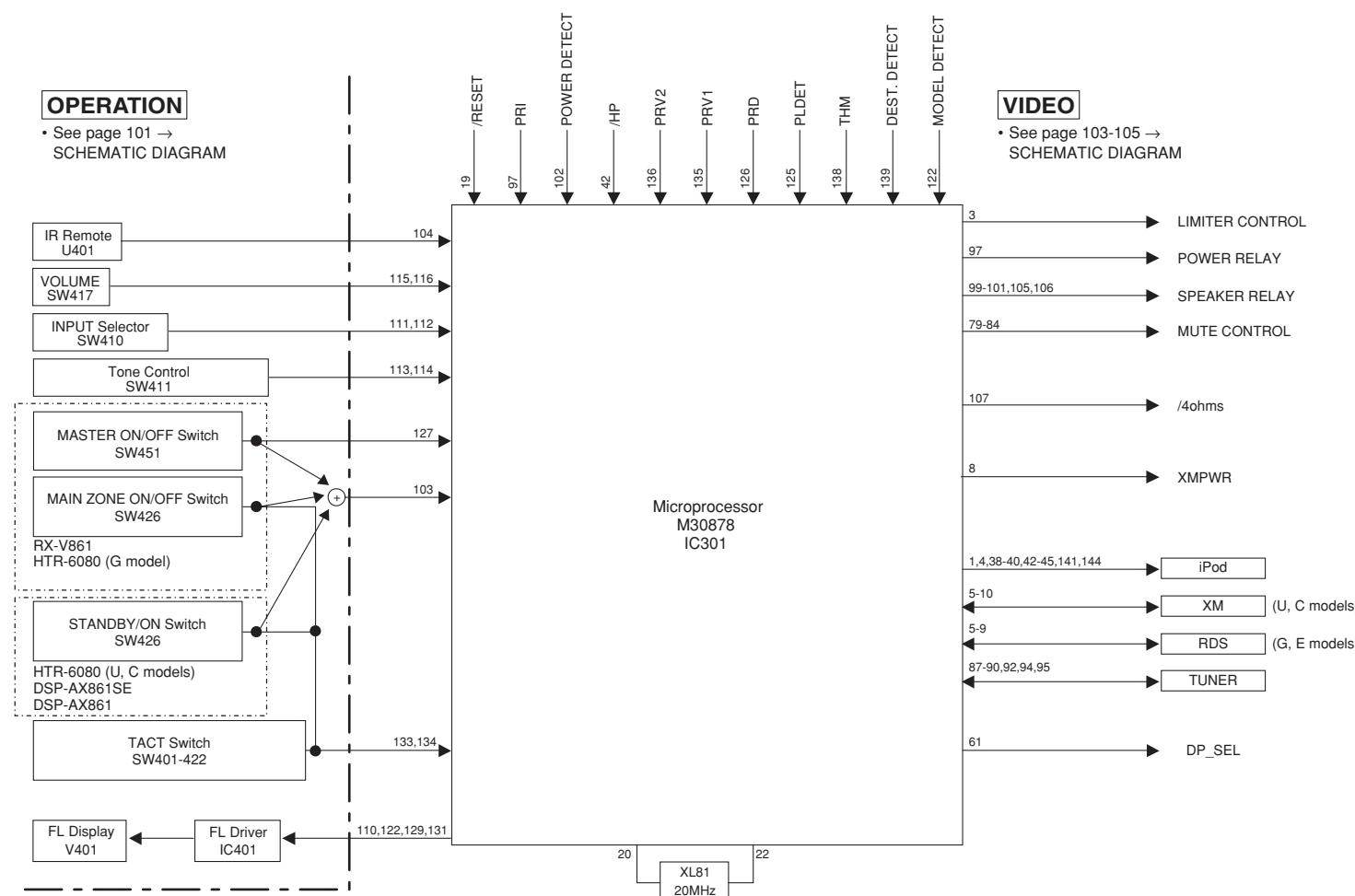
CONTROL/POWER SUPPLY SECTION BLOCK DIAGRAM

OPERATION

• See page 101 → SCHEMATIC DIAGRAM

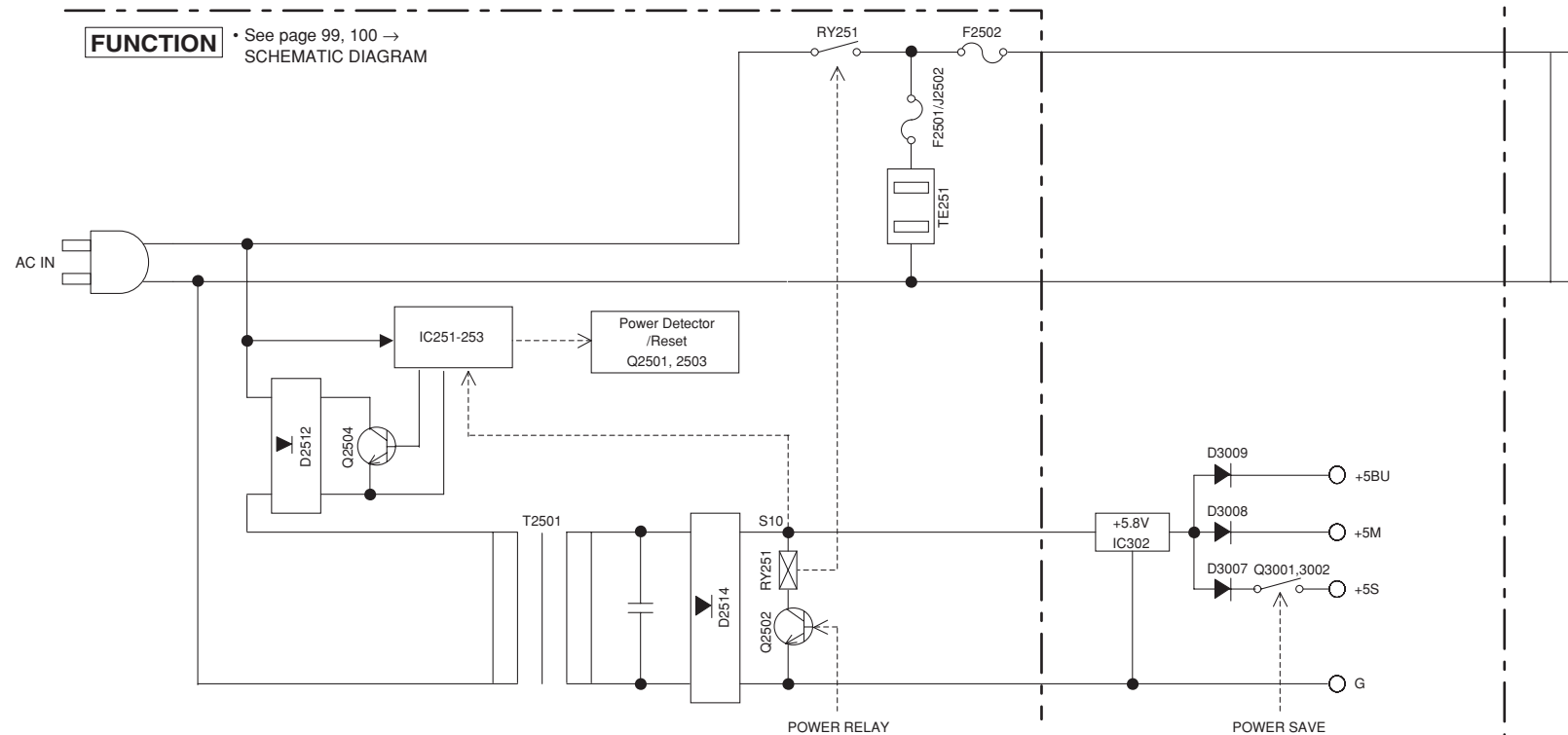
VIDEO

• See page 103-105 → SCHEMATIC DIAGRAM

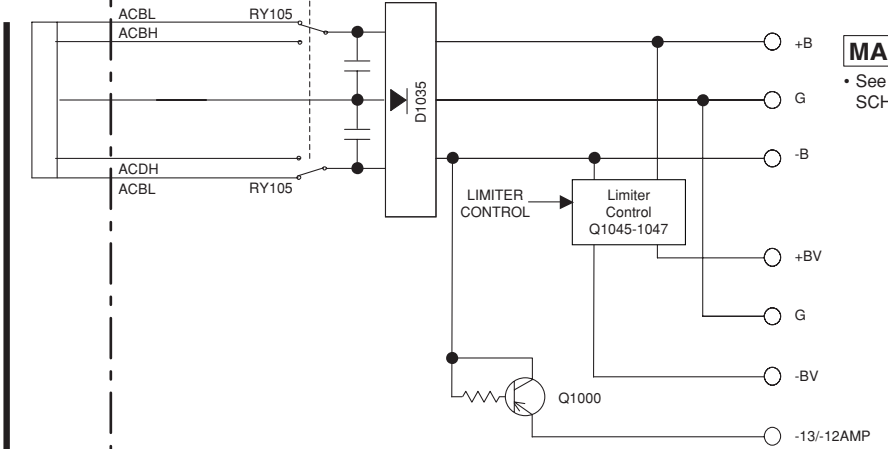


FUNCTION

• See page 99, 100 → SCHEMATIC DIAGRAM



POWER TRANSFORMER



MAIN

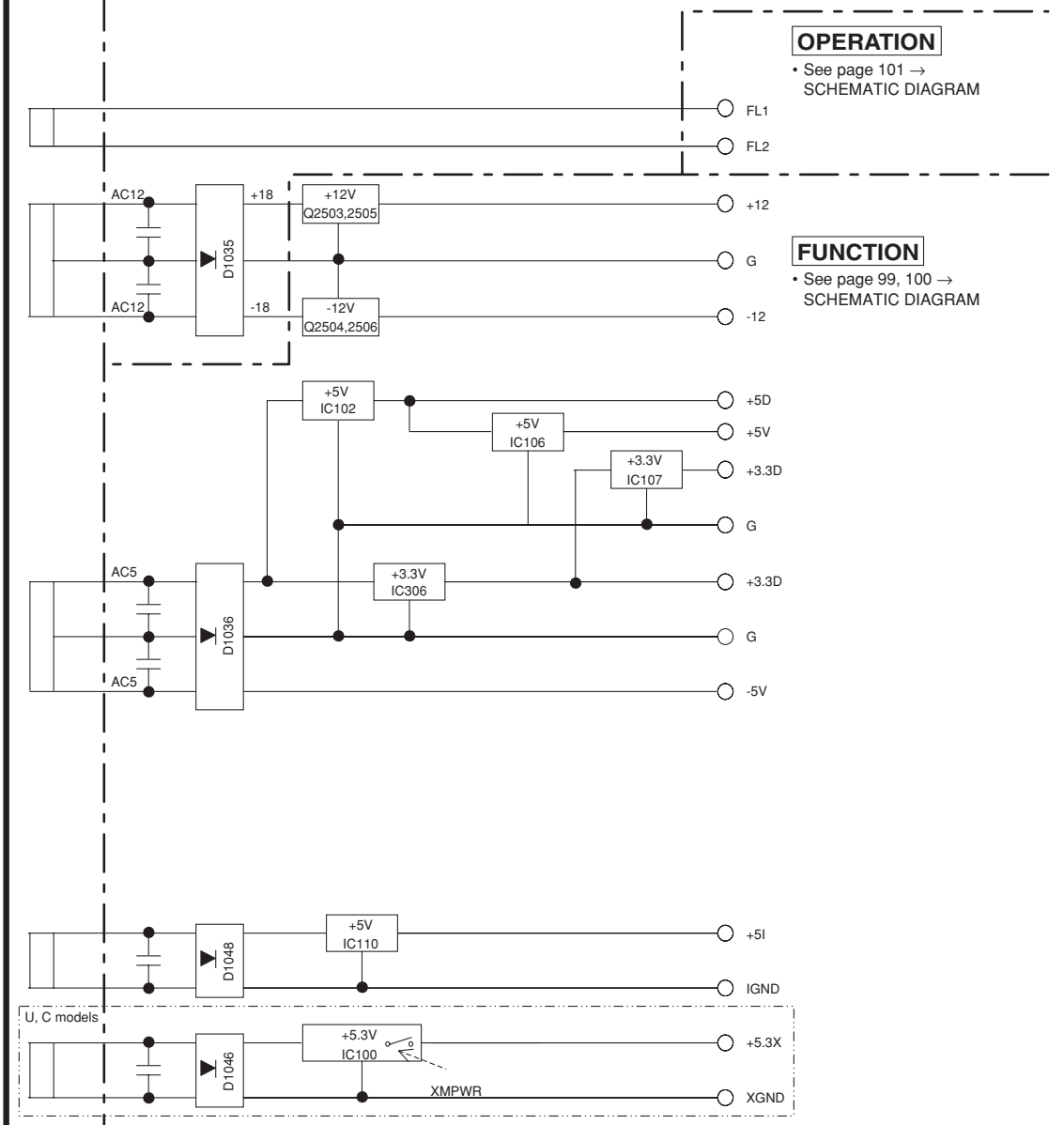
• See page 102 → SCHEMATIC DIAGRAM

OPERATION

• See page 101 → SCHEMATIC DIAGRAM

FUNCTION

• See page 99, 100 → SCHEMATIC DIAGRAM

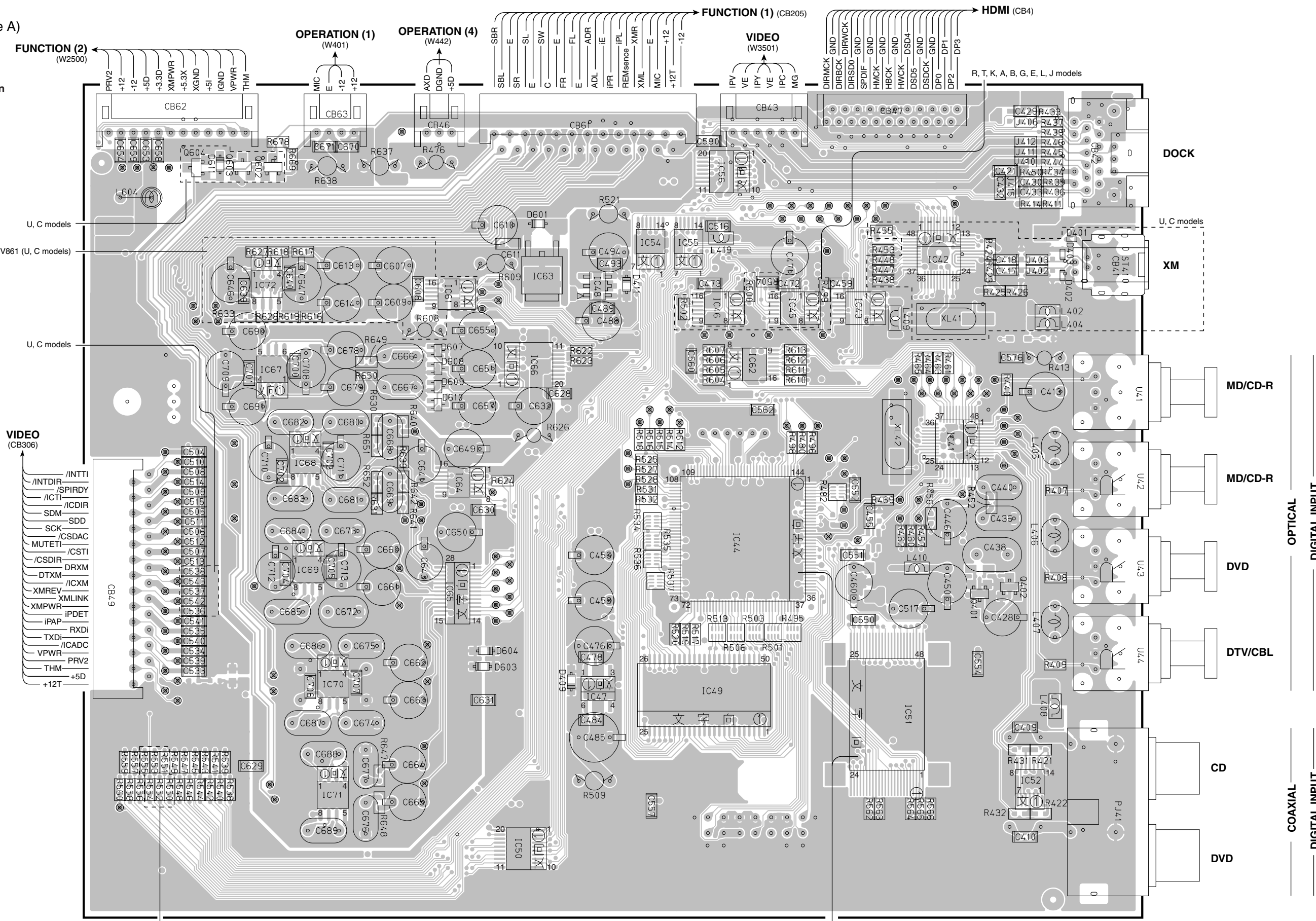


PRINTED CIRCUIT BOARDS

DSP P.C.B. (Side A)

Semiconductor Location

Ref no.	Location
D401	I3
D402	I3
D403	I3
D409	F6
D411	F3
D601	E3
D603	E5
D604	E5
D607	E3
D608	E3
D609	E4
D610	E4
D611	C2
IC41	H4
IC42	H3
IC43	G3
IC44	F4
IC45	G3
IC46	F3
IC47	F6
IC48	F3
IC49	F5
IC50	E7
IC51	H6
IC52	I6
IC54	F3
IC55	F3
IC56	G2
IC61	E3
IC62	G3
IC63	E3
IC64	E4
IC65	E5
IC66	E3
IC67	D3
IC68	D4
IC69	D5
IC70	D5
IC71	D5
IC72	D3
Q401	H5
Q402	H5
Q405	E7
Q602	D2
Q603	C2
Q604	C2



VIDEO (CB306)

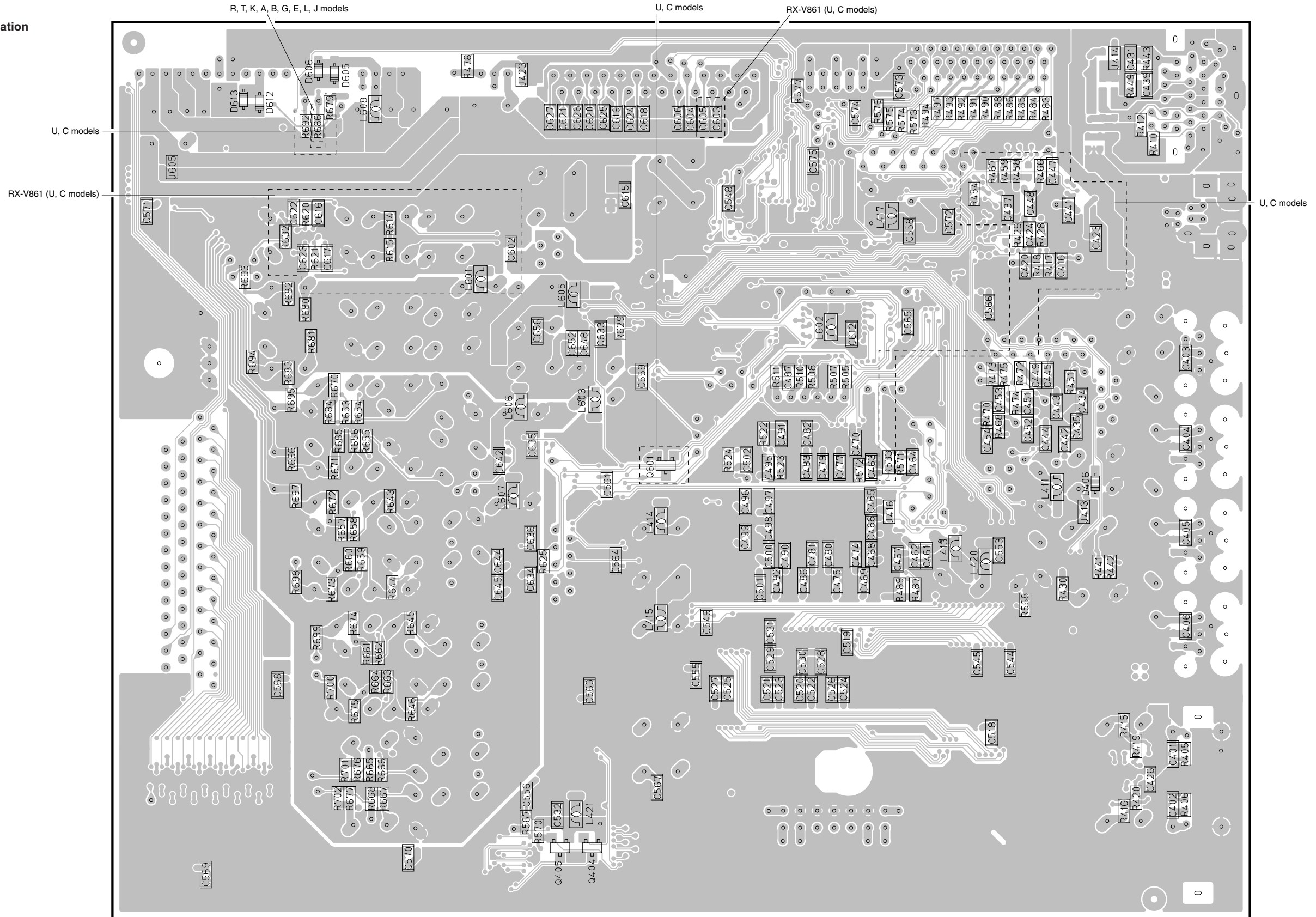
1	/INTDI	/INTTI
2	/SPIRDI	/SPIRTI
3	/ICDI	/ICTI
4	/ICDIR	/ICTR
5	SDM	SDD
6	SCK	/CSDAC
7	MUTETI	/CSTI
8	/CSDIR	/DRXM
9	DTXM	/ICXM
10	XMREV	/XMLINK
11	XMPWR	/IPDET
12	iPAP	RXDi
13	TXDi	/CADC
14	VPWR	PRV2
15	THM	+5D
16	+12T	

No replacement part available. / サービス部品供給なし

DSP P.C.B. (Side B)

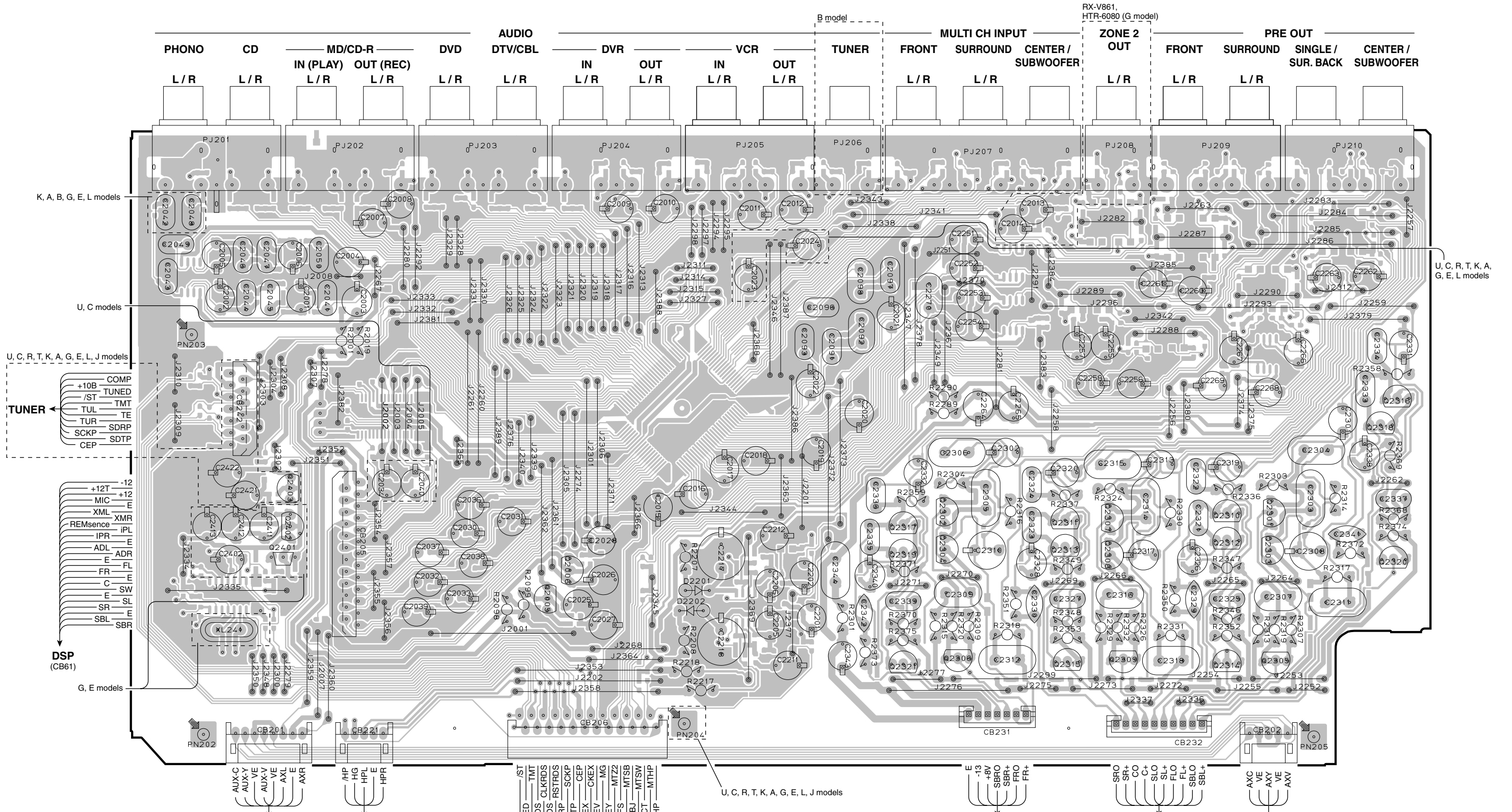
• **Semiconductor Location**

Ref no.	Location
D406	H4
D605	D2
D606	D2
D612	C2
D613	C2
Q404	E7
Q601	F4



1
2
3
4
5
6
7

FUNCTION (1) P.C.B. (Side A)

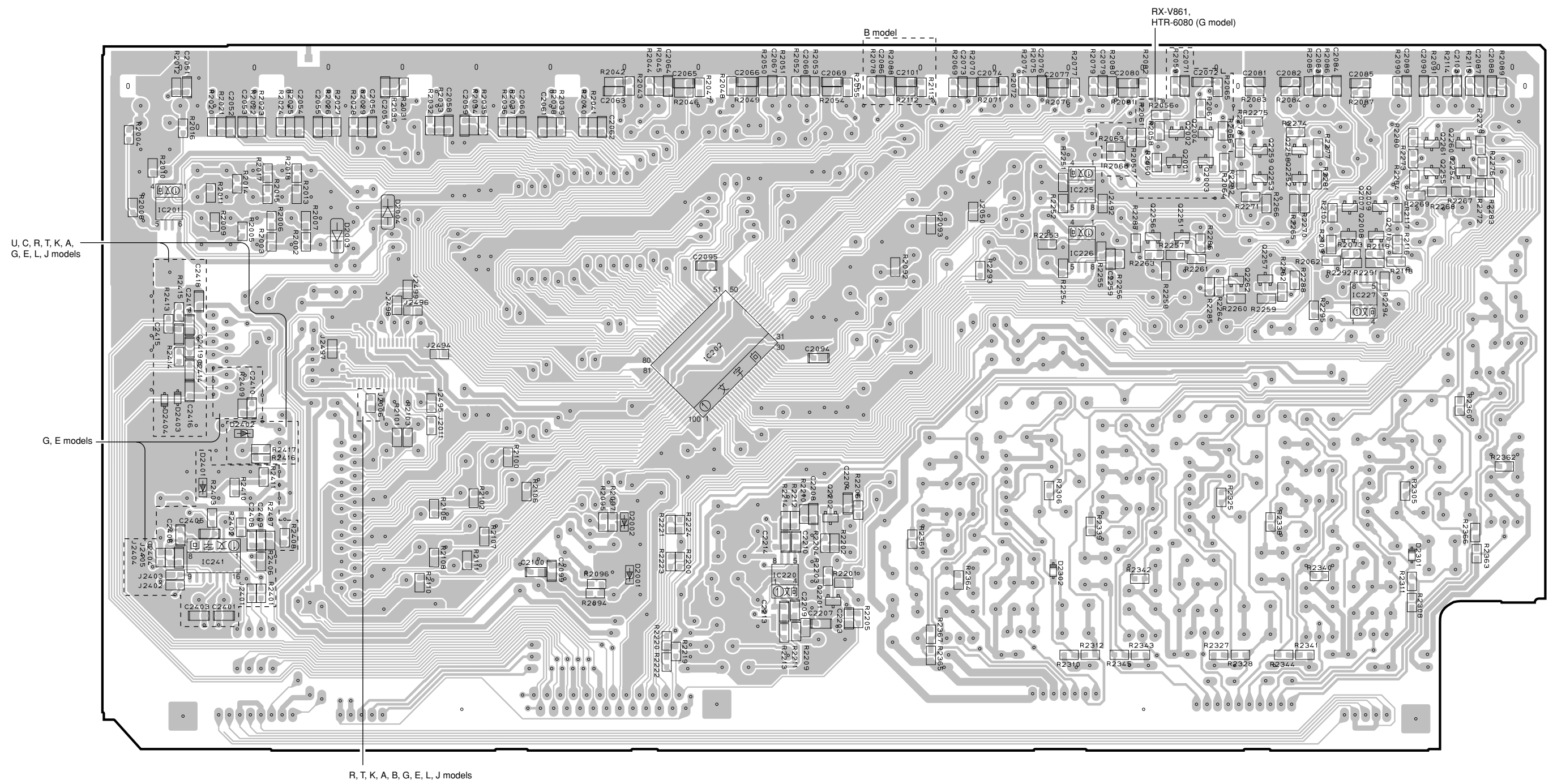


• Semiconductor Location

Ref no.	Location	Ref no.	Location	Ref no.	Location	Ref no.	Location	Ref no.	Location	Ref no.	Location
D2201	E5	Q2301	I4	Q2305	I5	Q2309	H5	Q2313	H5	Q2317	G4
D2202	E5	Q2302	G4	Q2306	G4	Q2310	I4	Q2314	I5	Q2318	J4
Q2005	D5	Q2303	I5	Q2307	H5	Q2311	H5	Q2315	H5	Q2319	G4
Q2006	D5	Q2304	G4	Q2308	H5	Q2312	I5	Q2316	J4	Q2320	J5
										Q2403	C4

FUNCTION (1) P.C.B. (Side B)

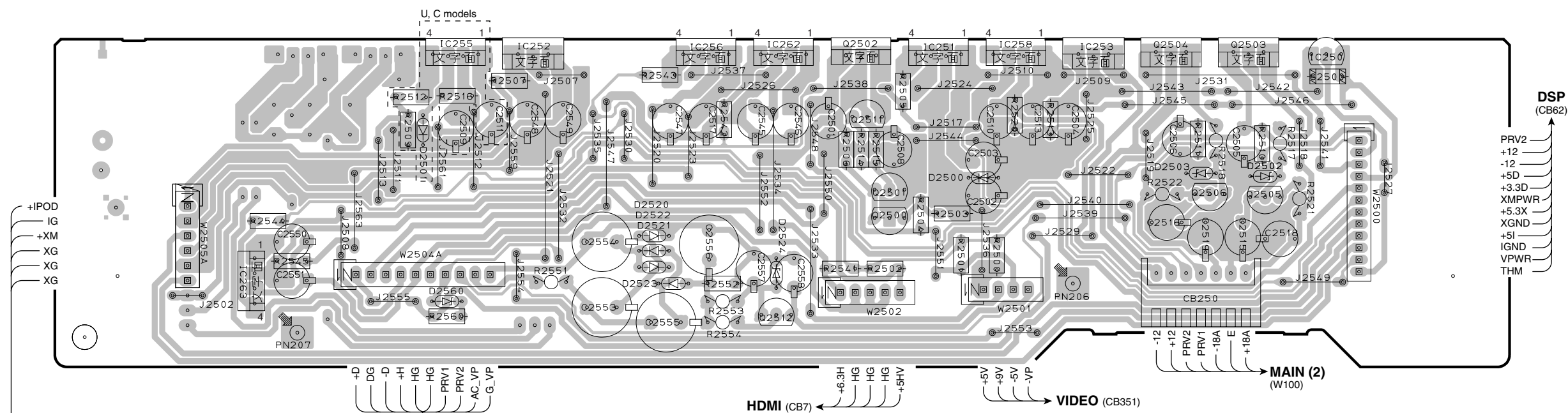
1
2
3
4
5
6
7



• **Semiconductor Location**

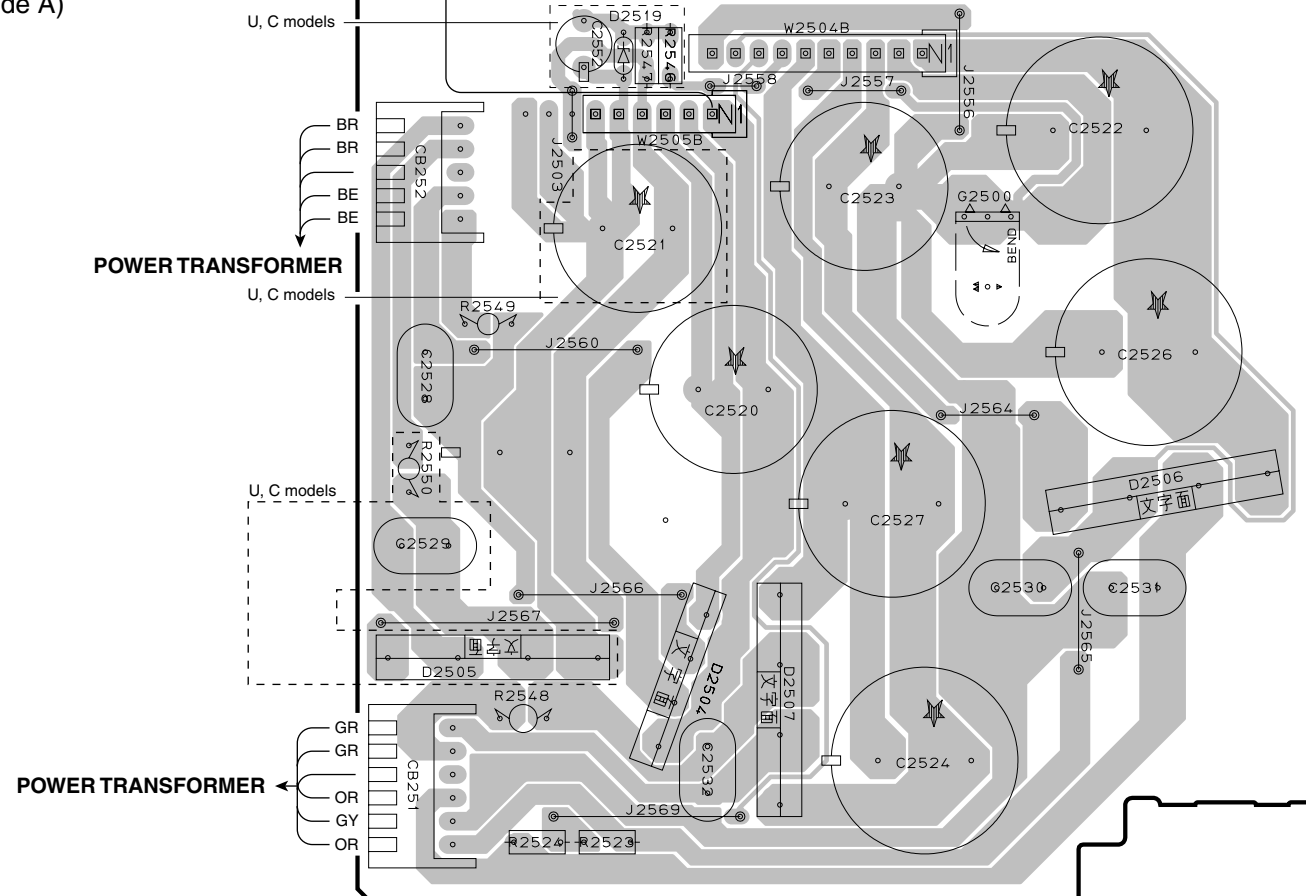
Ref no.	Location	Ref no.	Location	Ref no.	Location	Ref no.	Location	Ref no.	Location	Ref no.	Location		
D2001	E5	D2401	B5	IC220	E5	Q2002	H3	Q2010	I3	Q2254	I3	Q2260	I3
D2002	E5	D2402	B4	IC225	G3	Q2003	H3	Q2201	F5	Q2255	I3	Q2261	I3
D2003	C3	D2403	B4	IC226	G3	Q2004	H3	Q2202	F5	Q2256	H3	Q2262	H3
D2004	C3	D2404	B4	IC227	I3	Q2007	I3	Q2251	H3	Q2257	H3		
D2301	I5	IC201	B3	IC241	B5	Q2008	I3	Q2252	H3	Q2258	H3		
D2302	G5	IC202	E4	Q2001	H3	Q2009	I3	Q2253	H3	Q2259	H3		

FUNCTION (2) P.C.B. (Side A)



FUNCTION (3) P.C.B.

(Side A)



• **Semiconductor Location**

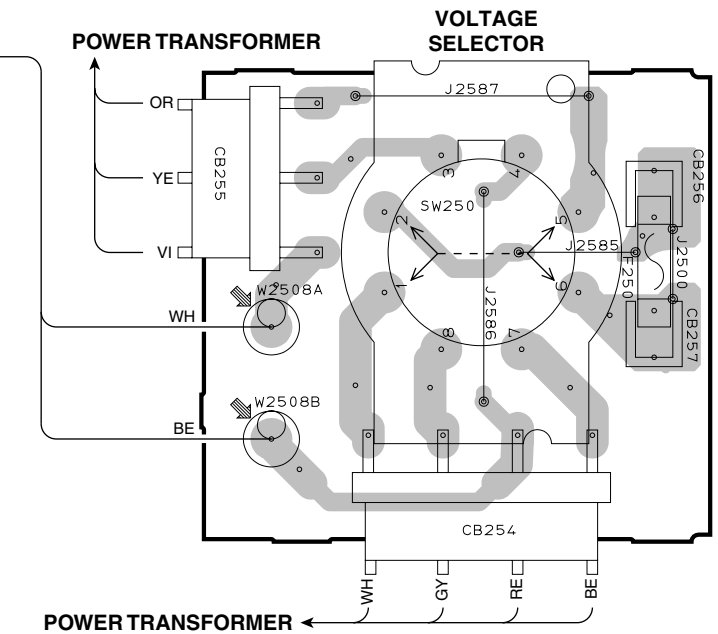
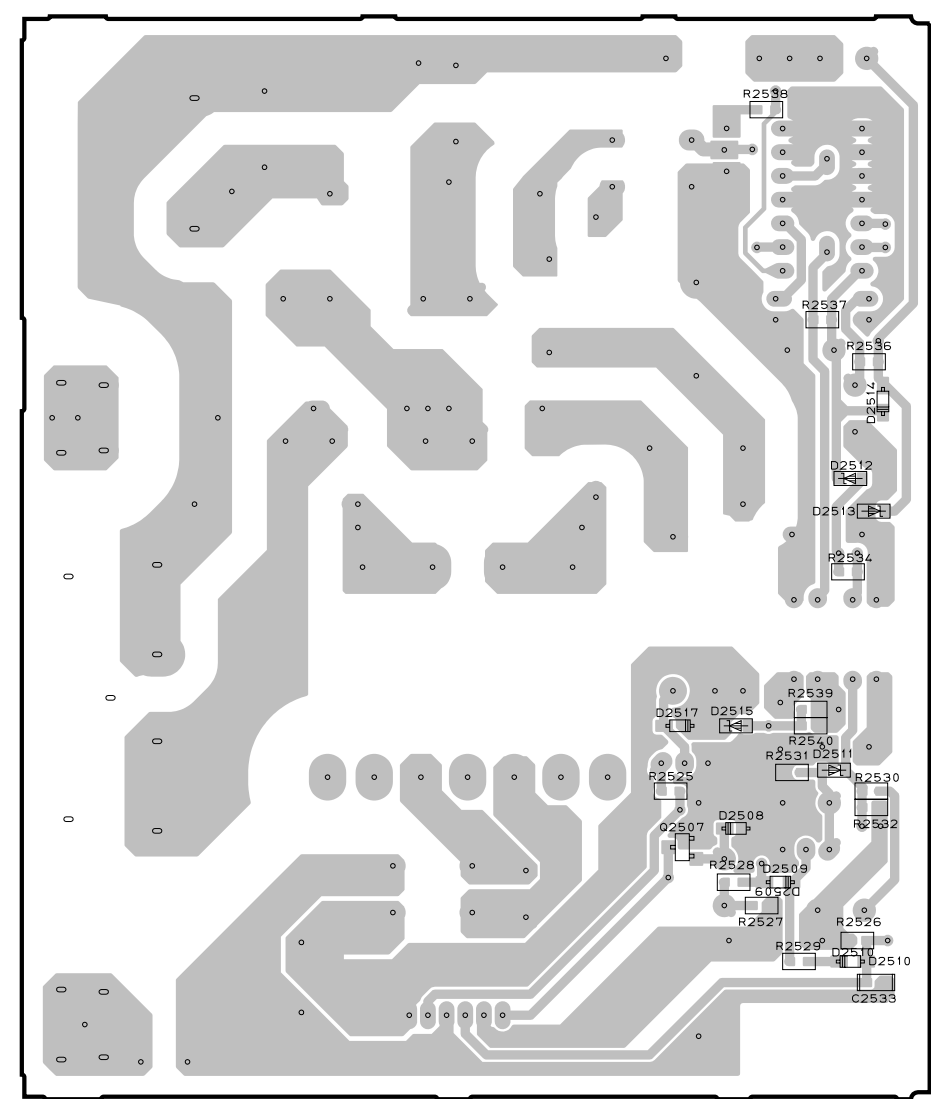
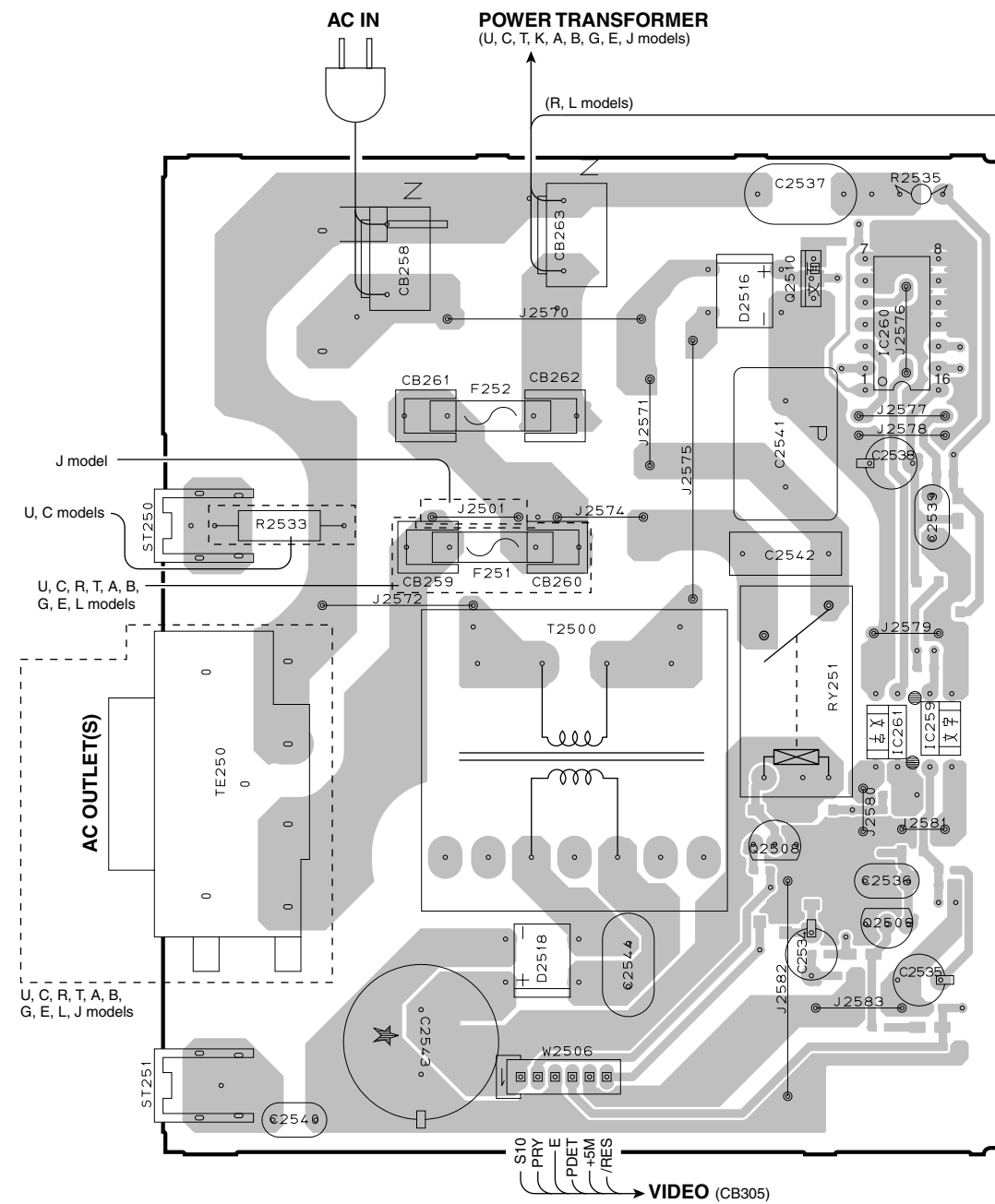
Ref no.	Location	Ref no.	Location	Ref no.	Location	Ref no.	Location	Ref no.	Location	Ref no.	Location
D2500	G2	D2506	E6	D2523	E3	IC253	G1	Q2500	F2	Q2506	H2
D2501	D2	D2507	D6	D2524	F3	IC255	D1	Q2501	F2	Q2511	F2
D2502	H2	D2519	D4	D2560	D3	IC256	E1	Q2502	F1	Q2512	F3
D2503	H2	D2520	E2	IC250	I1	IC258	G1	Q2503	H1		
D2504	D6	D2521	E3	IC251	G1	IC262	F1	Q2504	H1		
D2505	C6	D2522	E3	IC252	D1	IC263	C3	Q2505	H2		

FUNCTION (4) P.C.B. (Side A)

FUNCTION (4) P.C.B. (Side B)

FUNCTION (5) P.C.B. (Side A)

R, L models

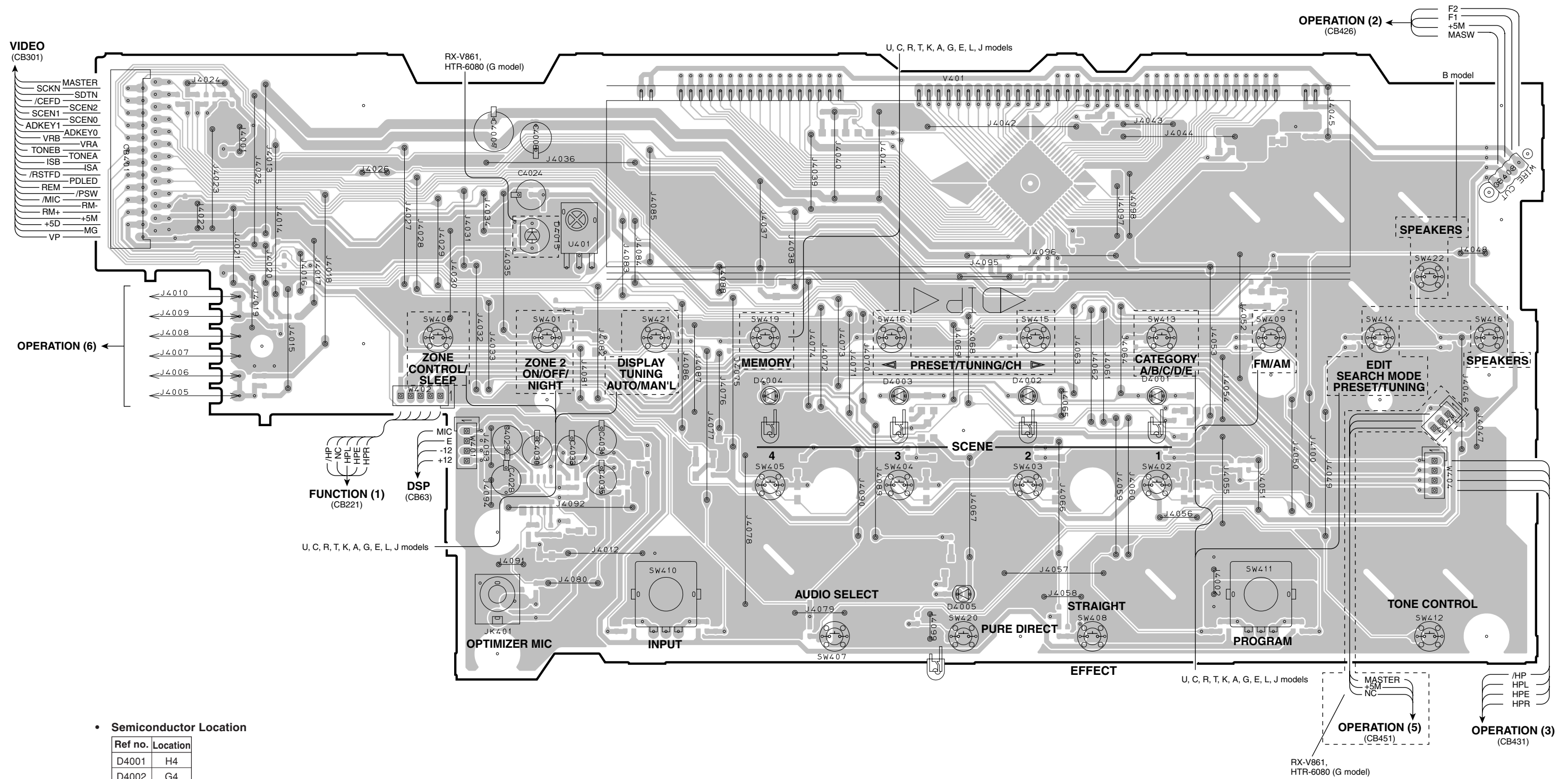


Voltage	230-240V	220V	110V	120V
Pin	1-2	2-3	3-4	4-5
No.	5-6	6-7	7-8	8-1

• **Semiconductor Location**

Ref no.	Location	Ref no.	Location	Ref no.	Location
D2508	G5	D2514	G4	IC260	D3
D2509	G5	D2515	G5	IC261	D5
D2510	G6	D2516	C3	Q2507	G5
D2511	G5	D2517	G5	Q2508	C5
D2512	G4	D2518	C5	Q2509	D5
D2513	G4	IC259	D5	Q2510	D3

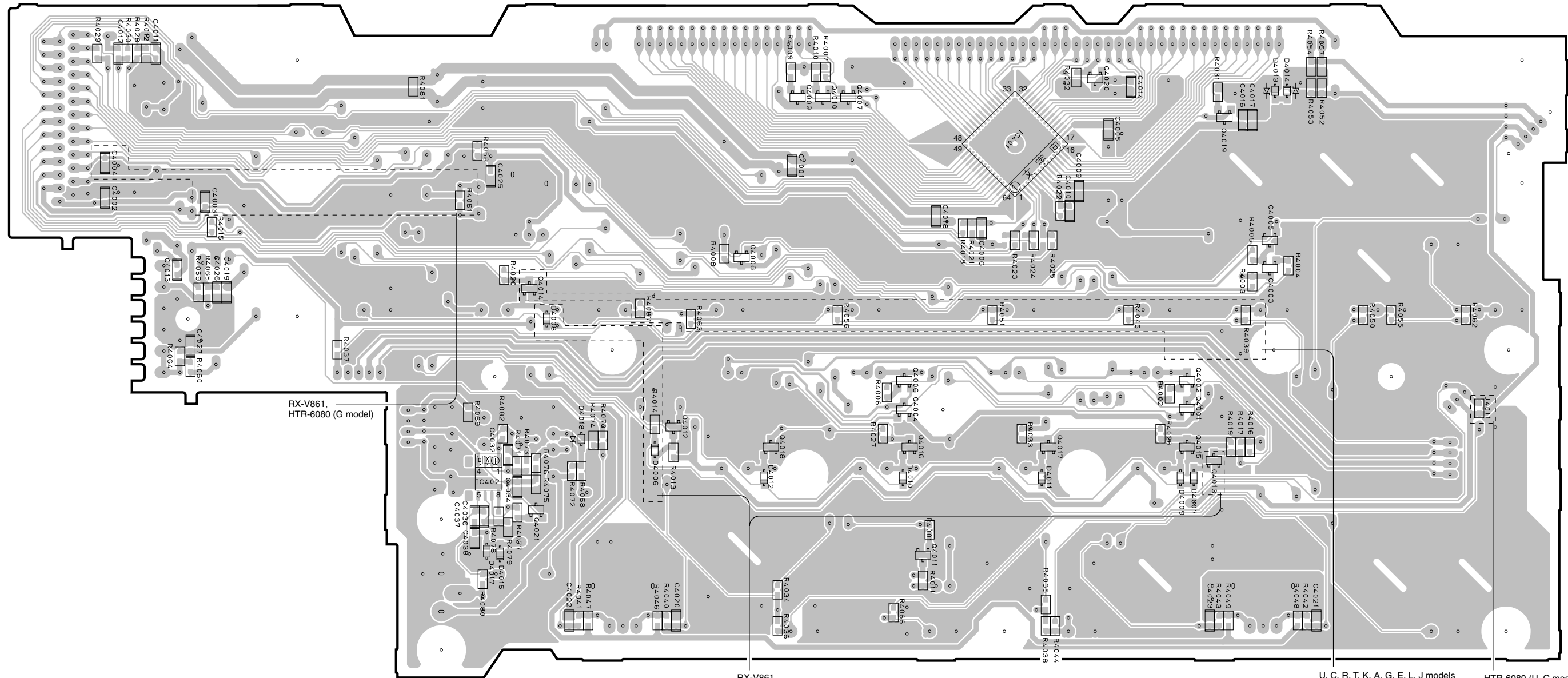
OPERATION (1) P.C.B. (Side A)



• Semiconductor Location

Ref no.	Location
D4001	H4
D4002	G4
D4003	F4
D4004	F4
D4005	G5
D4015	D3

OPERATION (1) P.C.B. (Side B)



RX-V861,
HTR-6080 (G model)

RX-V861,
HTR-6080 (G model)

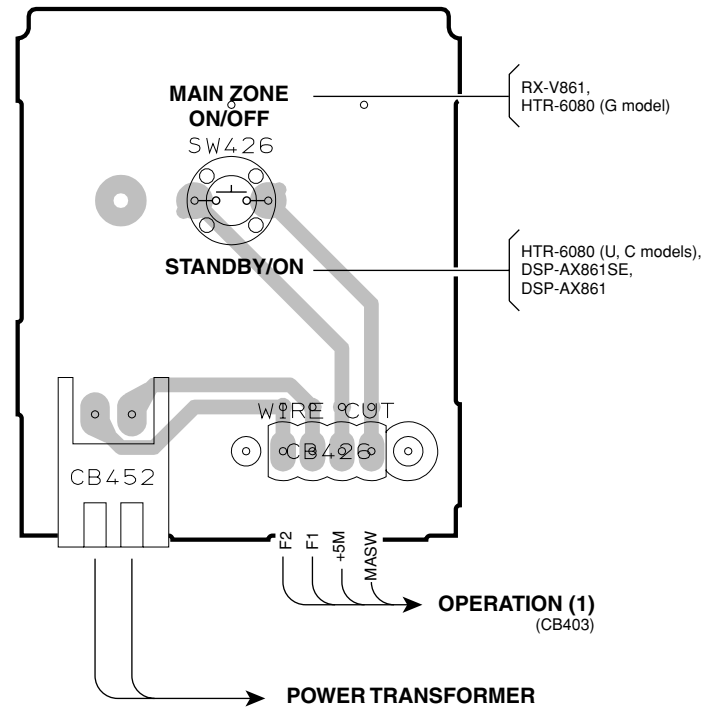
U, C, R, T, K, A, G, E, L, J models

HTR-6080 (U, C models),
DSP-AX861SE,
DSP-AX861

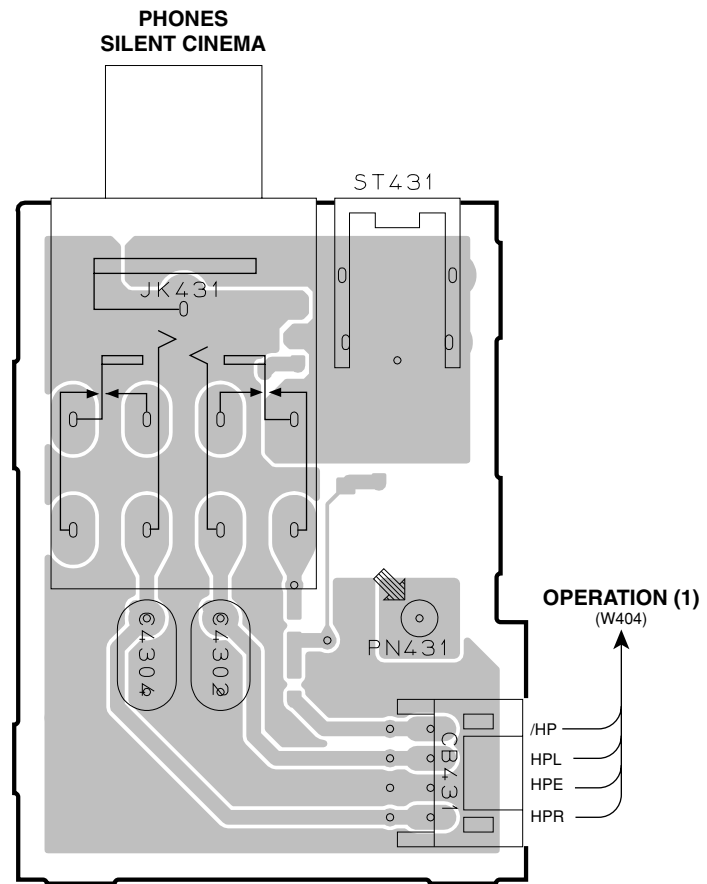
• **Semiconductor Location**

Ref no.	Location	Ref no.	Location	Ref no.	Location	Ref no.	Location	Ref no.	Location	Ref no.	Location
D4006	E4	D4012	E5	IC401	G3	Q4005	H3	Q4011	F5	Q4017	G4
D4007	H5	D4013	H2	IC402	D5	Q4006	F4	Q4012	E4	Q4018	E4
D4008	D4	D4014	H2	Q4001	H4	Q4007	F2	Q4013	H5	Q4019	H3
D4009	H5	D4016	D5	Q4002	H4	Q4008	E3	Q4014	D4	Q4020	G2
D4010	F5	D4017	D5	Q4003	H3	Q4009	F2	Q4015	H4	Q4021	D5
D4011	G5	D4018	D4	Q4004	F4	Q4010	F2	Q4016	F4		

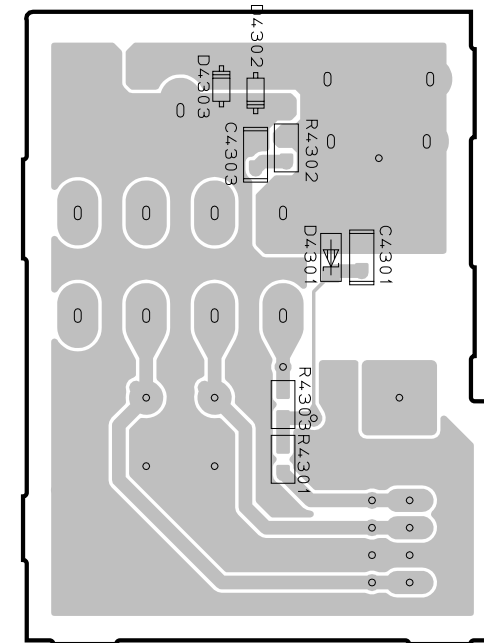
OPERATION (2) P.C.B. (Side A)



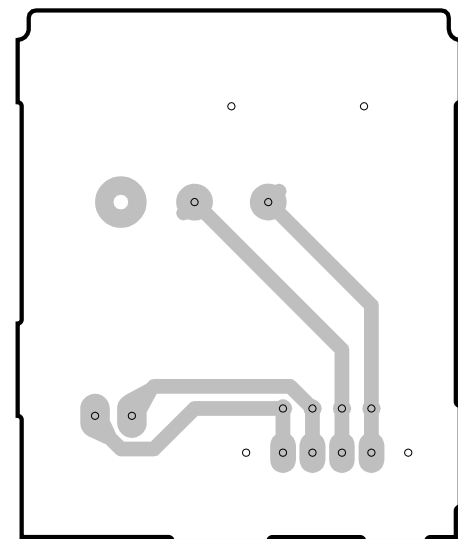
OPERATION (3) P.C.B. (Side A)



OPERATION (3) P.C.B. (Side B)



OPERATION (2) P.C.B. (Side B)

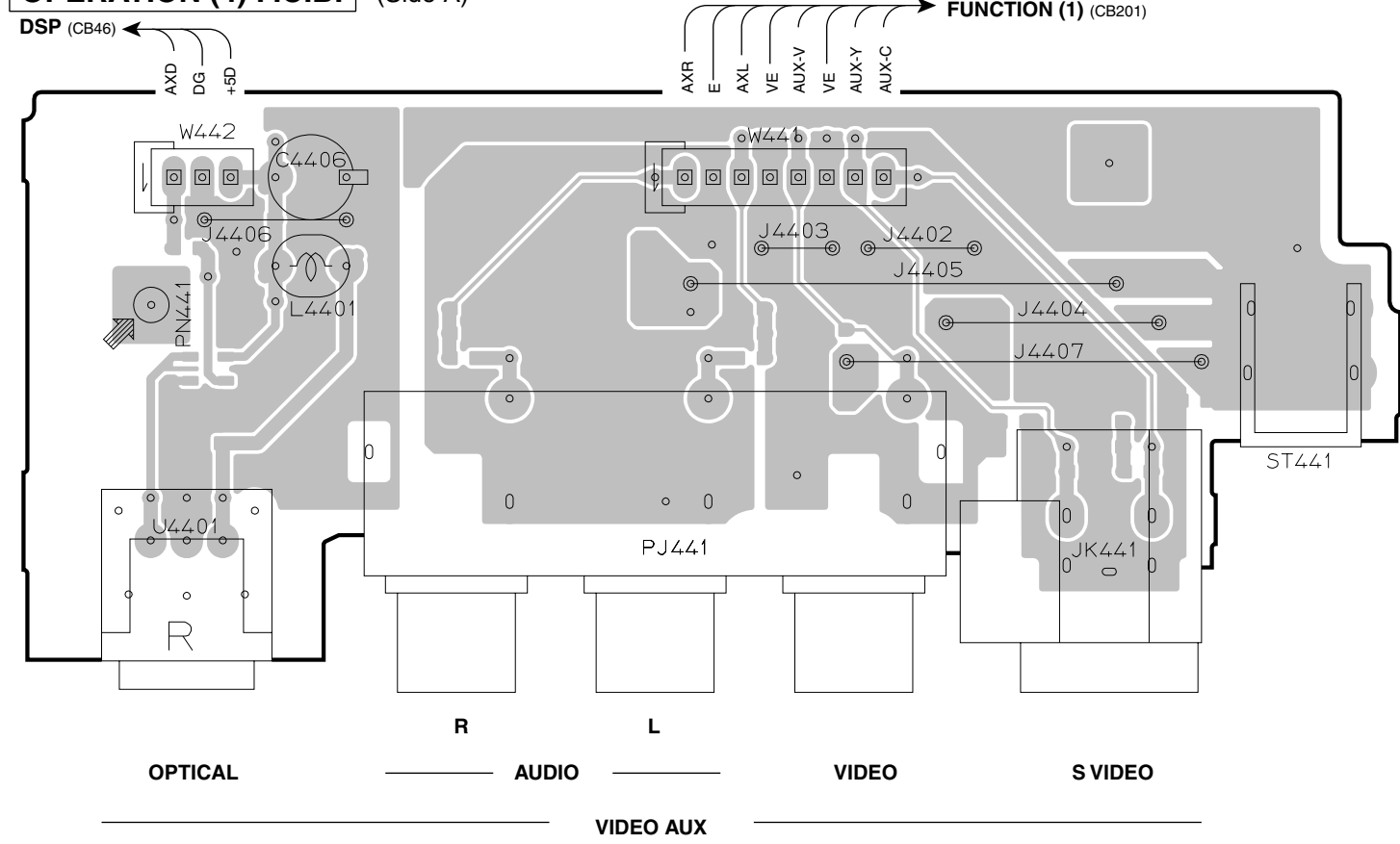


• **Semiconductor Location**

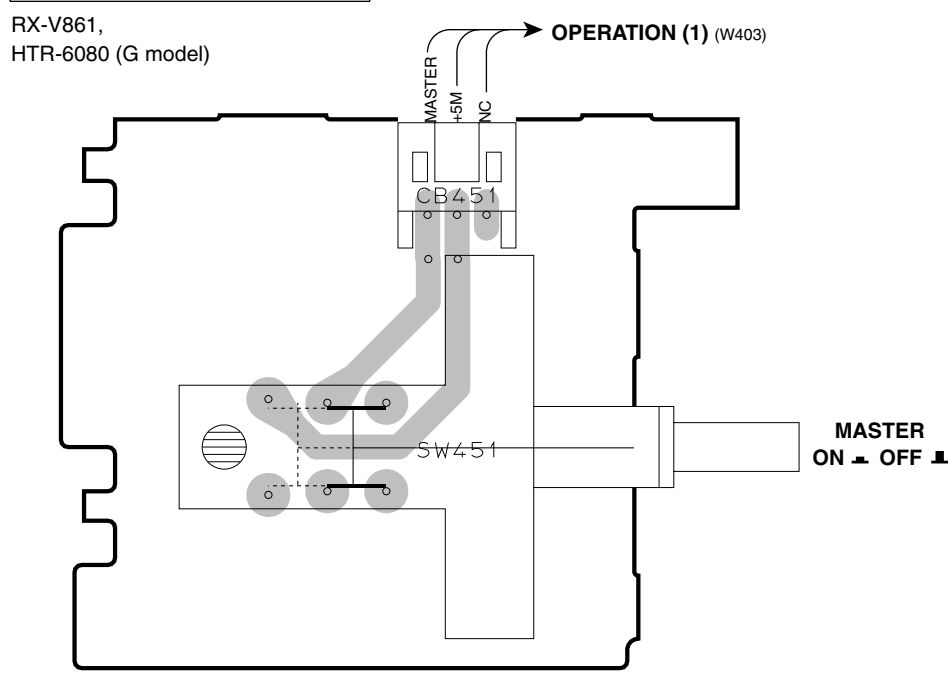
Ref no.	Location
D4301	I3
D4302	I2
D4303	I2

1
2
3
4
5
6
7

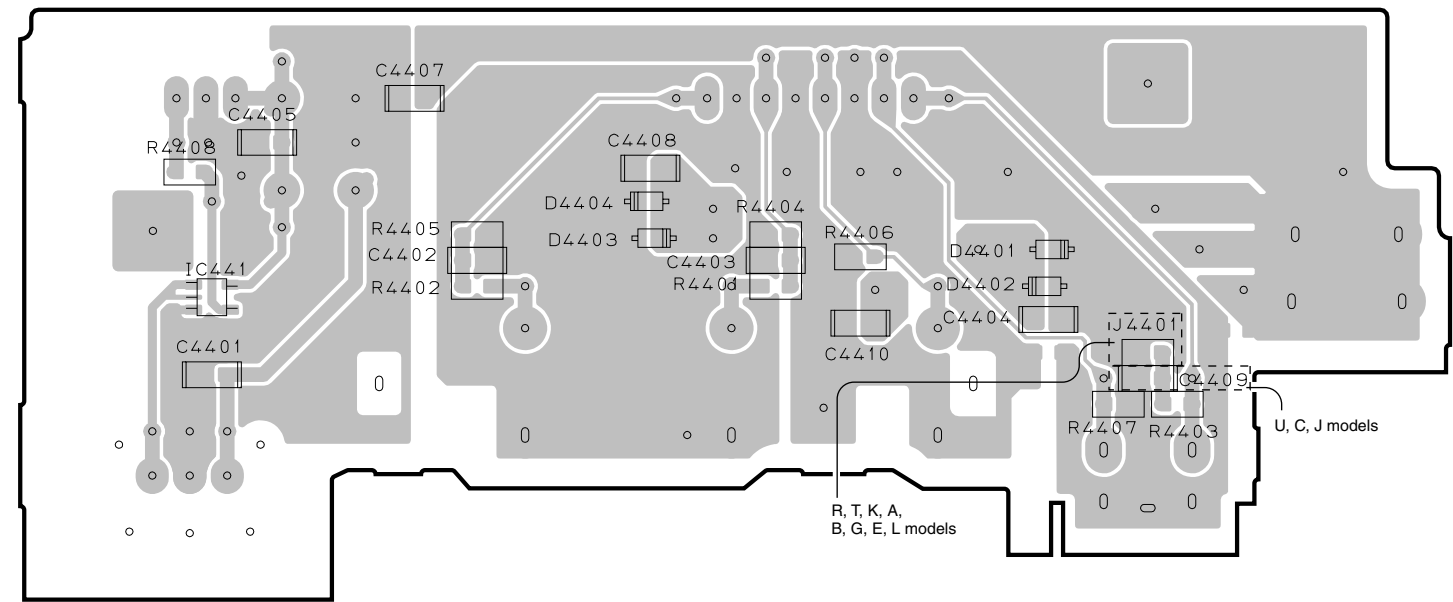
OPERATION (4) P.C.B. (Side A)



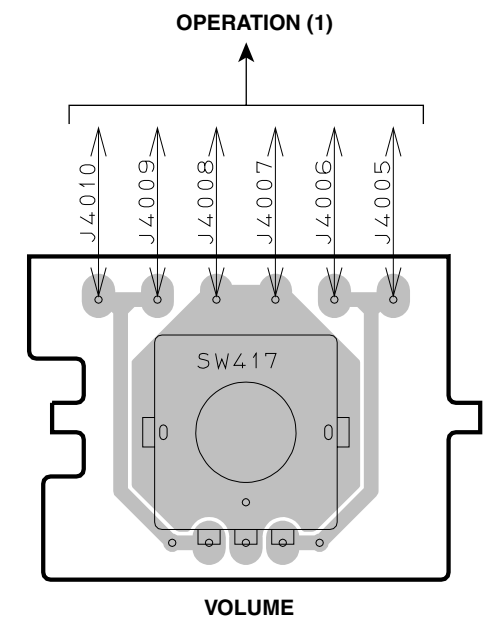
OPERATION (5) P.C.B. (Side A)



OPERATION (4) P.C.B. (Side B)



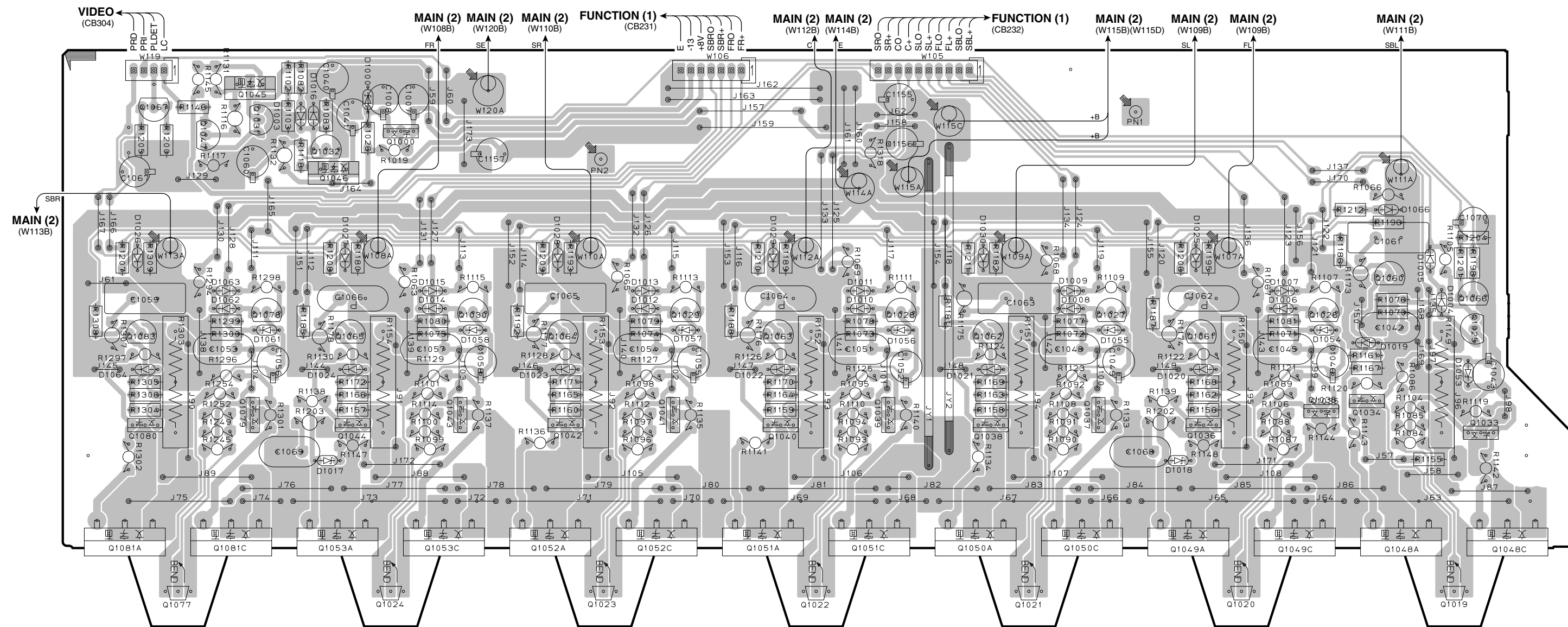
OPERATION (6) P.C.B. (Side A)



• **Semiconductor Location**

Ref no.	Location
D4401	E6
D4402	D6
D4403	C6
D4404	C6
IC441	B6

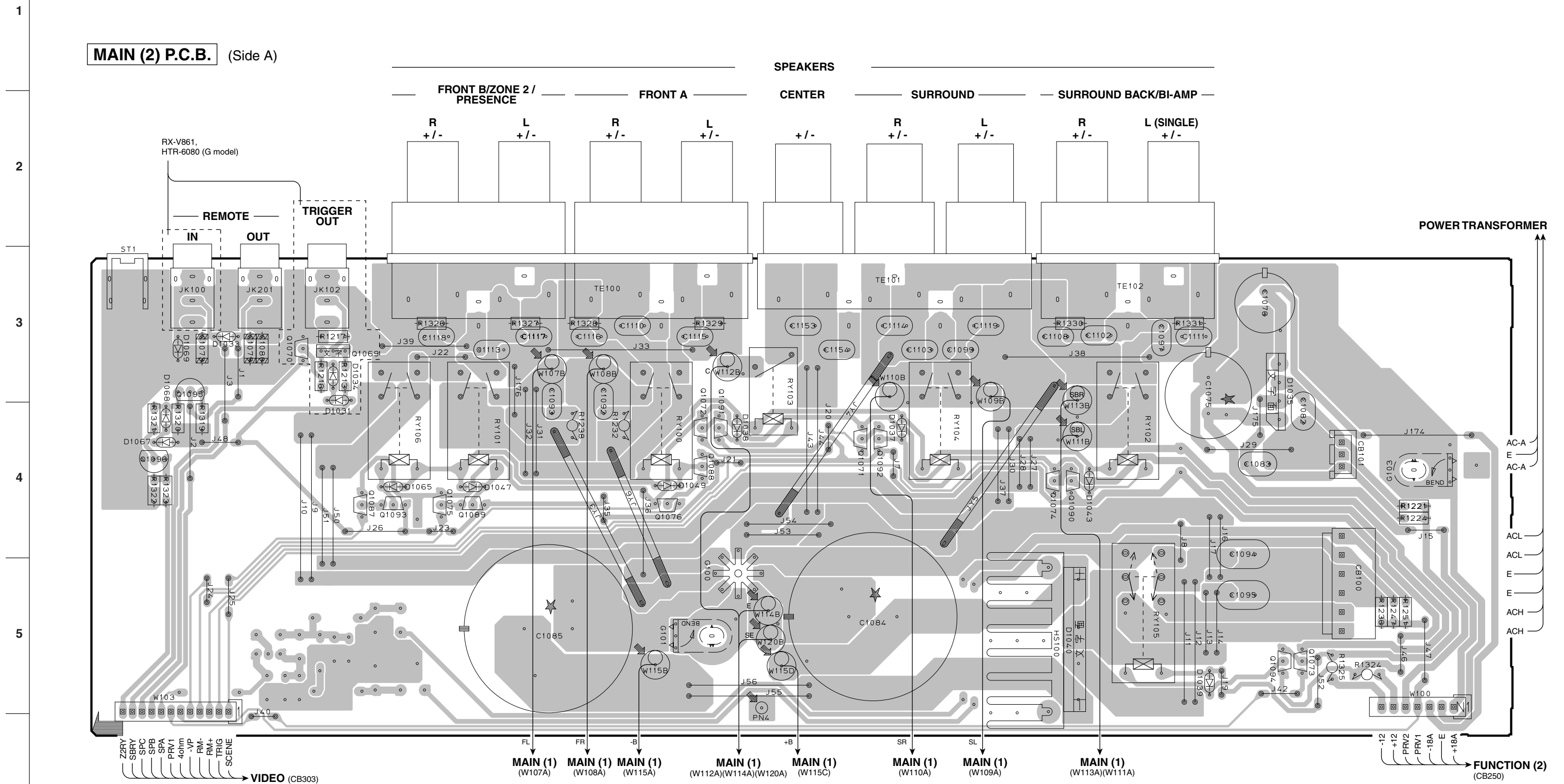
MAIN (1) P.C.B. (Side A)



• **Semiconductor Location**

Ref no.	Location	Ref no.	Location	Ref no.	Location	Ref no.	Location	Ref no.	Location	Ref no.	Location	Ref no.	Location	Ref no.	Location	Ref no.	Location		
D1000	C2	D1012	E4	D1022	E4	D1054	I4	Q1000	C3	Q1028	F4	Q1038	G4	Q1048A	I5	Q1053A	C5	Q1077	B5
D1003	C2	D1013	E4	D1023	D4	D1055	H4	Q1019	J5	Q1029	E4	Q1039	F4	Q1048C	J5	Q1053C	C5	Q1078	B4
D1004	J4	D1014	C4	D1024	C4	D1056	F4	Q1020	H5	Q1030	D4	Q1040	E4	Q1049A	H5	Q1060	I3	Q1079	B4
D1005	I3	D1015	C4	D1025	H3	D1057	E4	Q1021	G5	Q1031	B3	Q1041	E4	Q1049C	I5	Q1061	H4	Q1080	B4
D1006	I4	D1016	C2	D1026	B3	D1058	D4	Q1022	F5	Q1032	C3	Q1042	D4	Q1050A	G5	Q1062	G4	Q1081A	A5
D1007	I4	D1017	C5	D1027	C3	D1061	B4	Q1023	D5	Q1033	J4	Q1043	D4	Q1050C	G5	Q1063	E4	Q1081C	B5
D1008	G4	D1018	H5	D1028	D3	D1062	B4	Q1024	C5	Q1034	I4	Q1044	C4	Q1051A	E5	Q1064	D4	Q1083	B4
D1009	G4	D1019	I4	D1029	E3	D1063	B4	Q1025	J4	Q1035	I4	Q1045	B2	Q1051C	F5	Q1065	C4		
D1010	F4	D1020	H4	D1030	G3	D1064	B4	Q1026	I4	Q1036	H4	Q1046	C3	Q1052A	D5	Q1066	J4		
D1011	F4	D1021	G4	D1053	J4	D1066	I3	Q1027	H4	Q1037	G4	Q1047	B3	Q1052C	E5	Q1067	B2		

MAIN (2) P.C.B. (Side A)



• Semiconductor Location

Ref no.	Location	Ref no.	Location	Ref no.	Location	Ref no.	Location	Ref no.	Location	Ref no.	Location		
D1031	C3	D1038	E4	D1049	E4	Q1069	C3	Q1074	G4	Q1089	G4	Q1094	I5
D1033	B3	D1039	H5	D1065	C4	Q1070	B3	Q1075	C4	Q1090	G4	Q1095	B3
D1034	C3	D1040	G5	D1067	A4	Q1071	F4	Q1076	E4	Q1091	E4	Q1096	A4
D1035	I3	D1043	G4	D1068	B4	Q1072	E4	Q1087	C4	Q1092	F4		
D1037	F4	D1047	C4	D1069	B3	Q1073	I5	Q1088	E4	Q1093	C4		

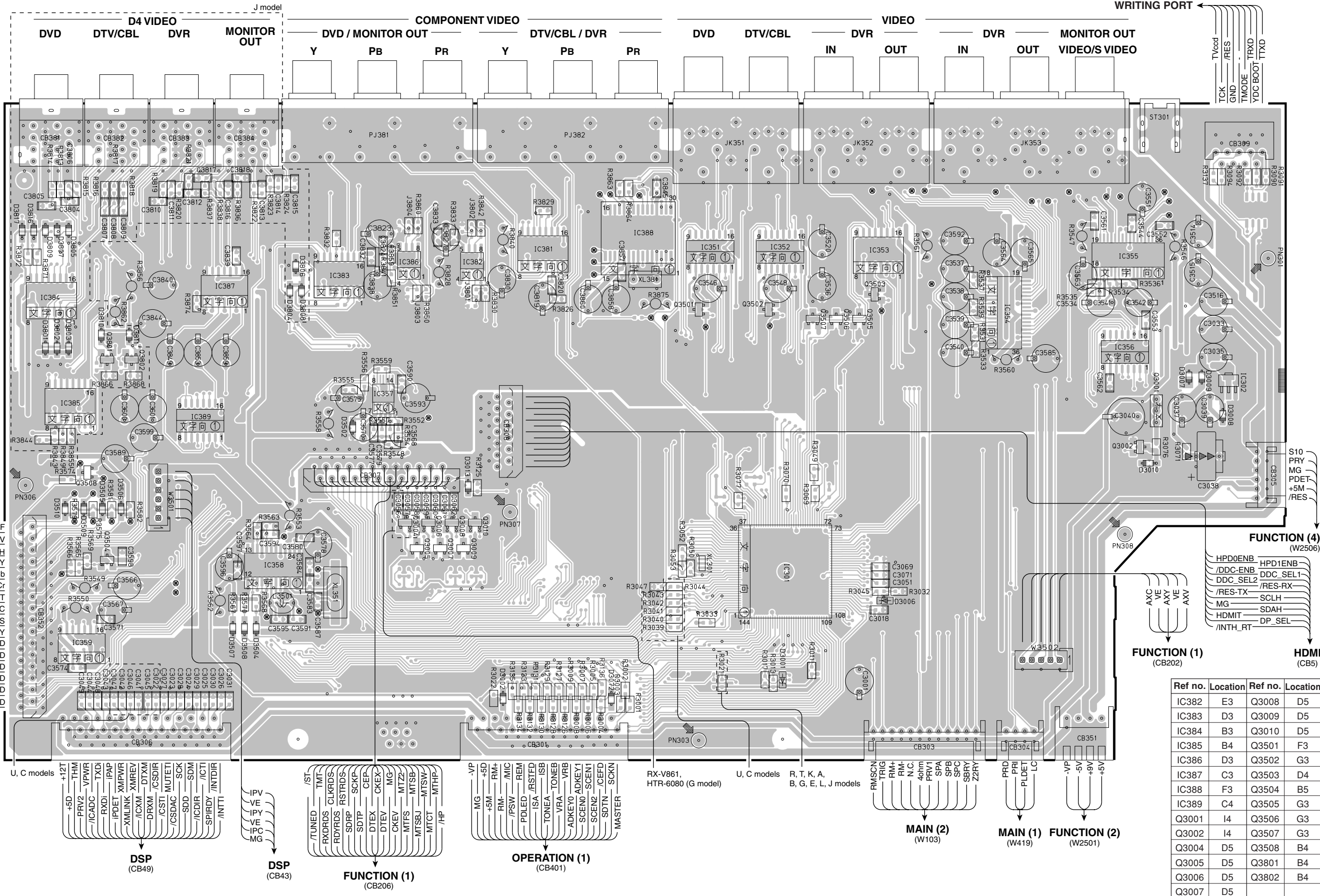
VIDEO P.C.B. (Side A)

Semiconductor Location

Ref no.	Location
D3001	G6
D3002	E6
D3006	G5
D3007	I4
D3008	J4
D3009	J4
D3010	I4
D3013	E5
D3504	C5
D3506	B5
D3507	C5
D3508	C5
D3509	B5
D3510	B5
D3801	B4
D3802	B4
D3803	B4
D3804	C3
D3805	B3
D3806	D3
D3807	B3
D3808	D3
D3809	B3
D3810	B4
D3811	B4
D3816	B3
D3817	B3
IC301	G5
IC302	J4
IC351	F3
IC352	G3

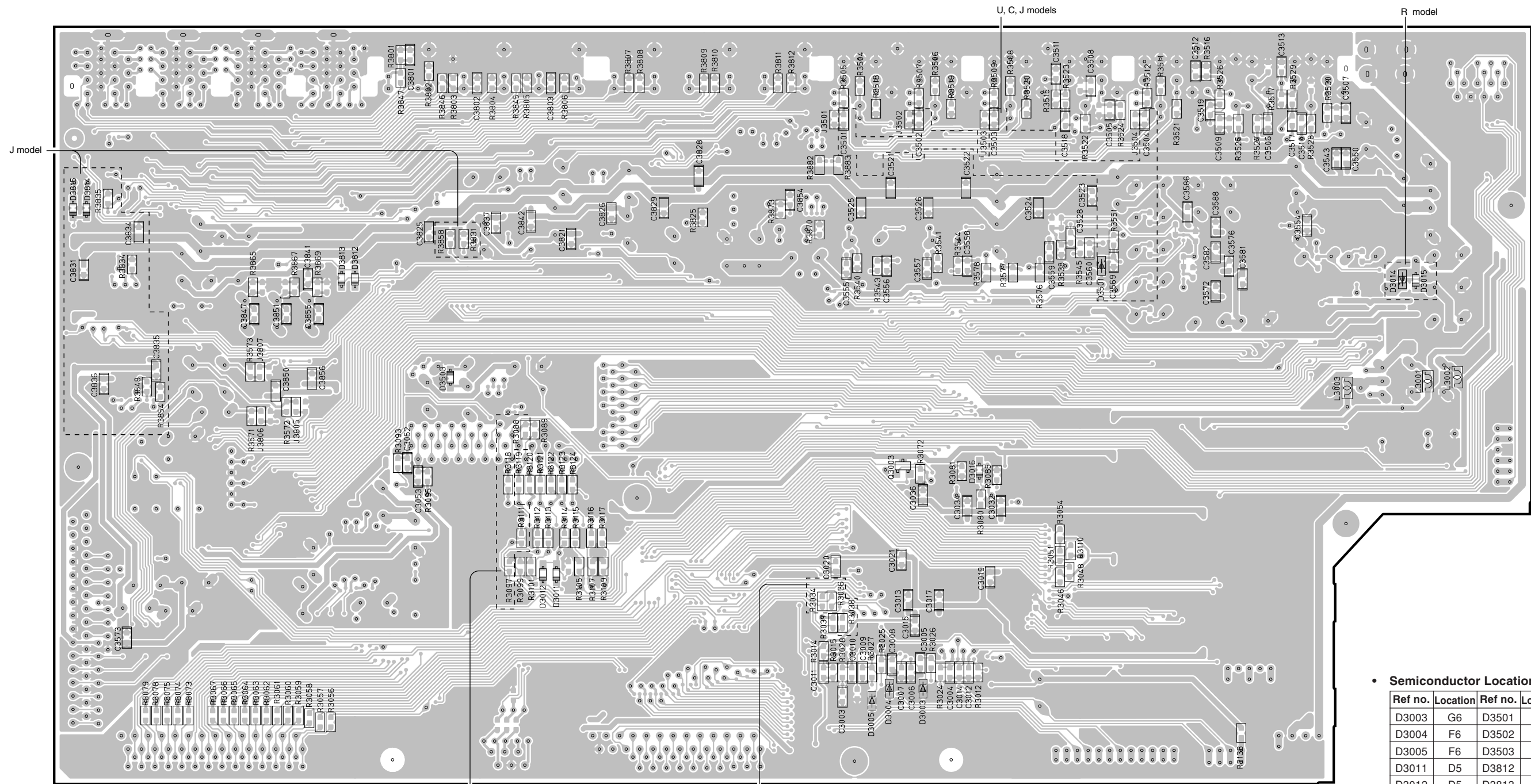
/ICS	/PSOFF
/INT_AD	/ICV
AGND	/AUPH
AGND	AD_Y
AGND	AD_Cb
AGND	AD_Cr
AGND	OSD_OUT
AGND	AD_SC
AGND	AD_CVBS
AGND	AD_SY
+3.3V	AGND
DA_Y	AGND
DA_Cb	AGND
DA_Cr	AGND
DA_CVBS	AGND
DA_SY	AGND
DA_SC	AGND

Ref no.	Location
IC353	G3
IC354	H3
IC355	I3
IC357	D4
IC358	C5
IC359	B6
IC381	E3



Ref no.	Location	Ref no.	Location
IC382	E3	Q3008	D5
IC383	D3	Q3009	D5
IC384	B3	Q3010	D5
IC385	B4	Q3501	F3
IC386	D3	Q3502	G3
IC387	C3	Q3503	D4
IC388	F3	Q3504	B5
IC389	C4	Q3505	G3
Q3001	I4	Q3506	G3
Q3002	I4	Q3507	G3
Q3004	D5	Q3508	B4
Q3005	D5	Q3801	B4
Q3006	D5	Q3802	B4
Q3007	D5		

VIDEO P.C.B. (Side B)



RX-V861, HTR-6080 (G model)

G, E models

Circuit No.	U, C, J	R, T, K, A, B, G, E, L
C3501-3504	O	X
J3501-3504	X	O

X : NOT USED
O : USED/APPLICABLE

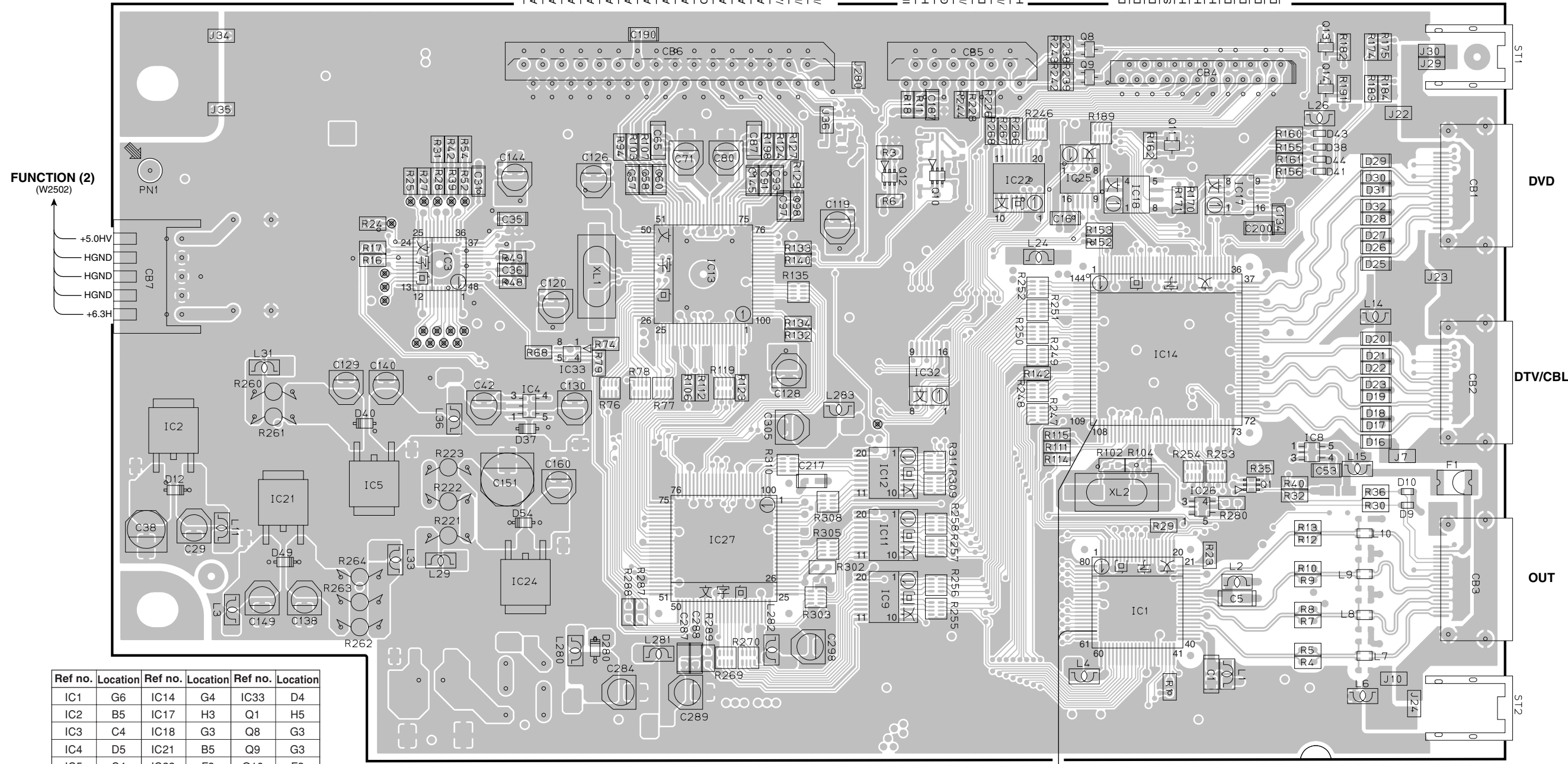
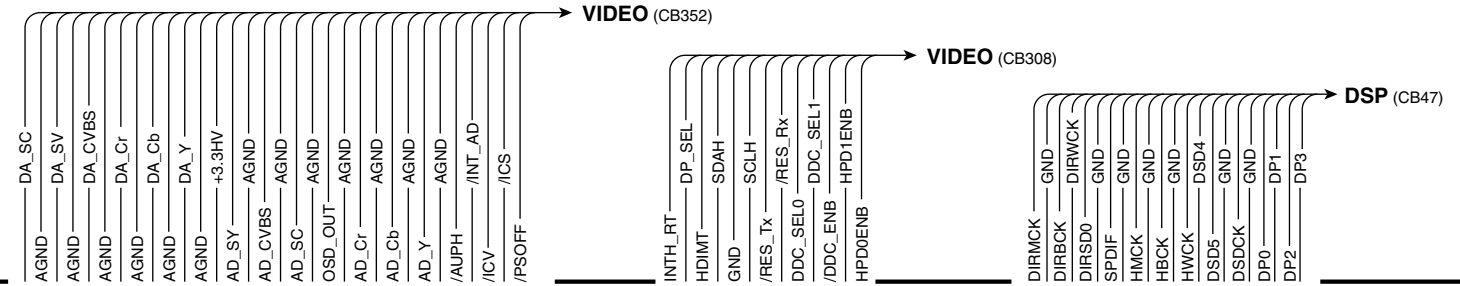
• Semiconductor Location

Ref no.	Location	Ref no.	Location
D3003	G6	D3501	H3
D3004	F6	D3502	D4
D3005	F6	D3503	D4
D3011	D5	D3812	C3
D3012	D5	D3813	C3
D3014	I3	D3814	B3
D3015	I3	D3815	B3
D3016	G5	Q3003	F5
D3072	F6		

HDMI P.C.B. (Side A)

• Semiconductor Location

Ref no.	Location	Ref no.	Location	Ref no.	Location	Ref no.	Location
D9	I5	D20	H4	D28	H4	D40	C4
D10	I5	D21	H4	D29	H3	D41	H3
D12	B5	D22	H4	D30	H3	D43	H3
D16	H5	D23	H5	D31	H3	D44	H3
D17	H5	D25	H4	D32	H4	D49	B6
D18	H5	D26	H4	D37	D5	D54	D5
D19	H5	D27	H4	D38	H3	D280	D6



FUNCTION (2)
(W2502)



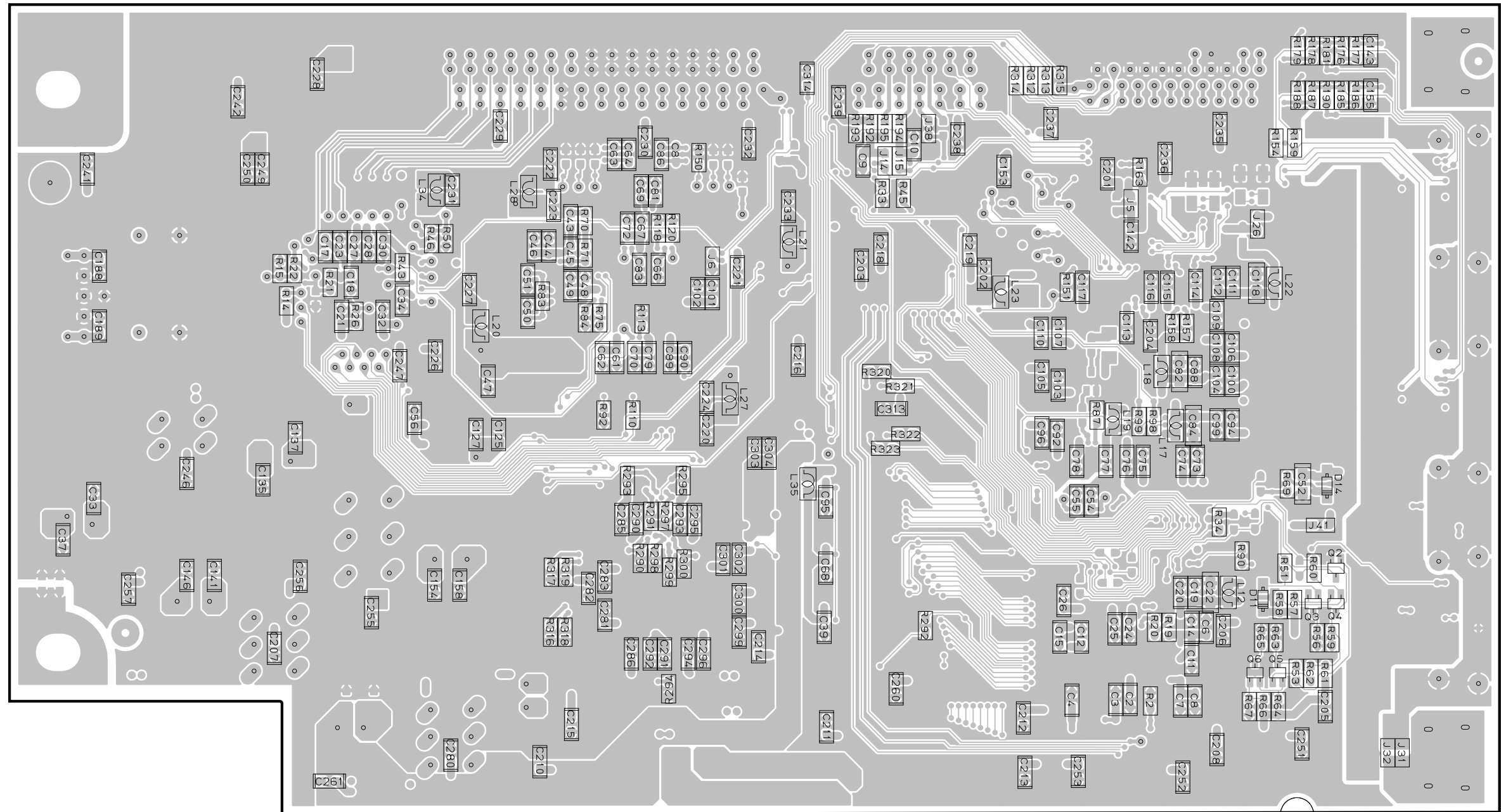
Ref no.	Location	Ref no.	Location	Ref no.	Location
IC1	G6	IC14	G4	IC33	D4
IC2	B5	IC17	H3	Q1	H5
IC3	C4	IC18	G3	Q8	G3
IC4	D5	IC21	B5	Q9	G3
IC5	C4	IC22	F3	Q10	F3
IC8	H5	IC24	D6	Q11	G3
IC9	F6	IC25	G3	Q12	F3
IC11	F5	IC26	G5	Q13	H3
IC12	F5	IC27	E5	Q14	H3
IC13	E4	IC32	F4		

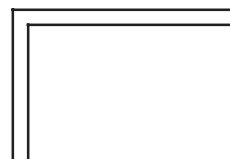
No replacement part available. / サービス部品供給なし

HDMI P.C.B. (Side B)

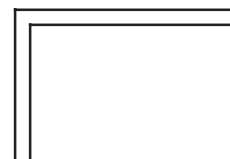
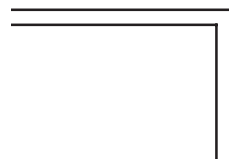
• **Semiconductor Location**

Ref no.	Location	Ref no.	Location	Ref no.	Location	Ref no.	Location
D11	H6	Q2	I4	Q4	I5	Q6	H6
D14	I4	Q3	I5	Q5	H6		

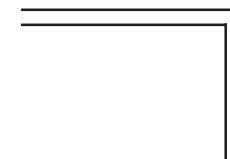




MEMO

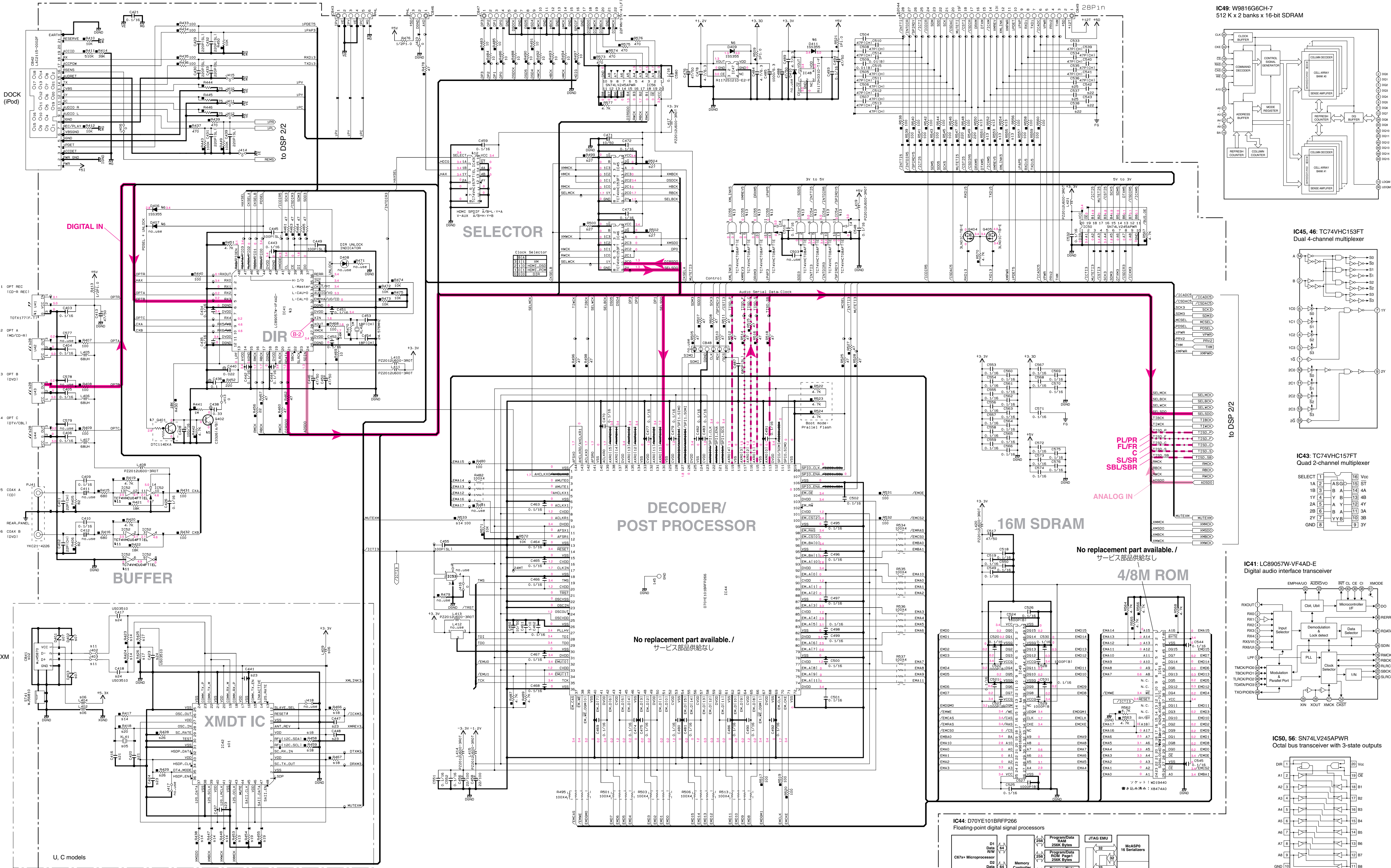


MEMO

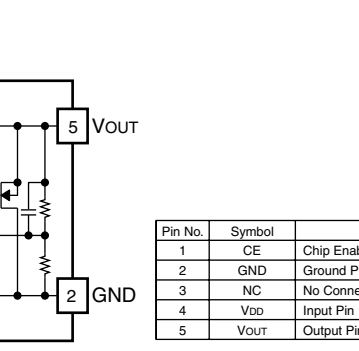
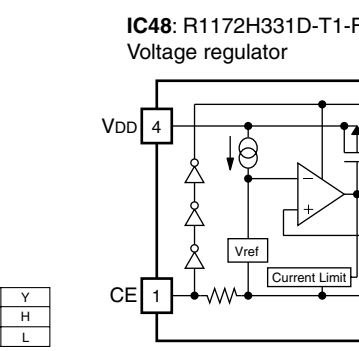
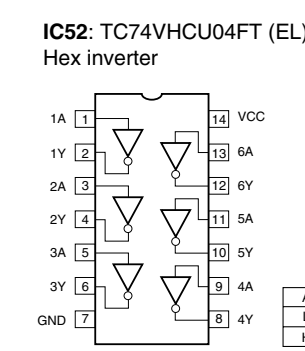
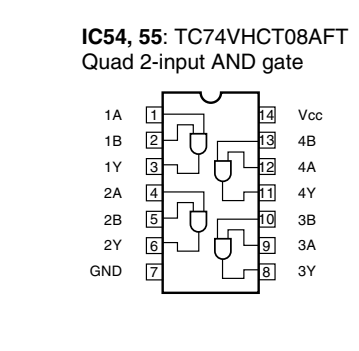
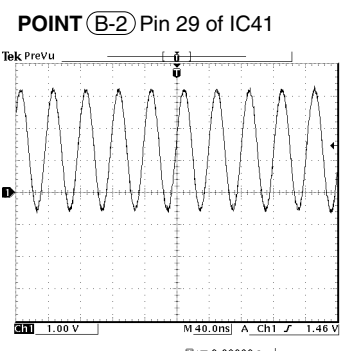


SCHEMATIC DIAGRAMS
DSP 1/2

Page 103 [E2] to VIDEO_W3501
Page 101 [L2] to OPERATION (4)_W442
Page 107 [N3] to HDMI_CB4
Page 1054 [F9] to VIDEO_CB306

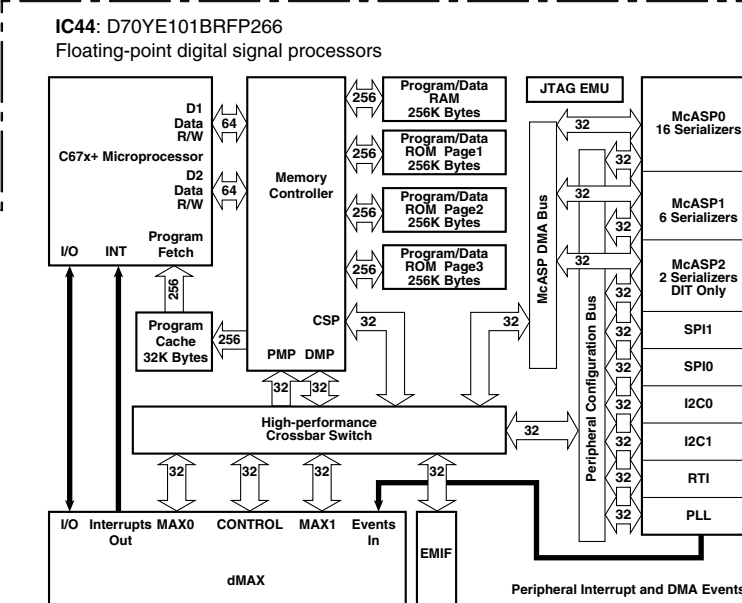


NOTICE [model]
(J)..... JAPAN
(U)..... U.S.A
(C)..... CANADA
(R)..... GENERAL
(T)..... CHINA
(K)..... KOREA
(A)..... AUSTRALIA
(B)..... BRITISH
(G)..... EUROPE
(L)..... SINGAPORE
(E)..... SOUTH EUROPE
(V)..... TAIWAN

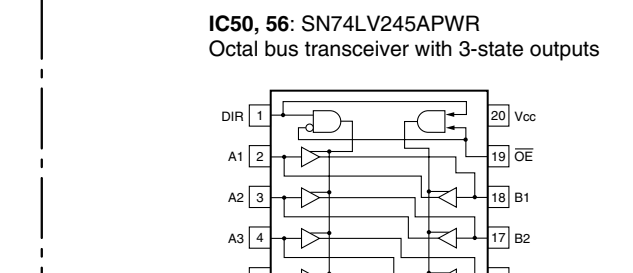
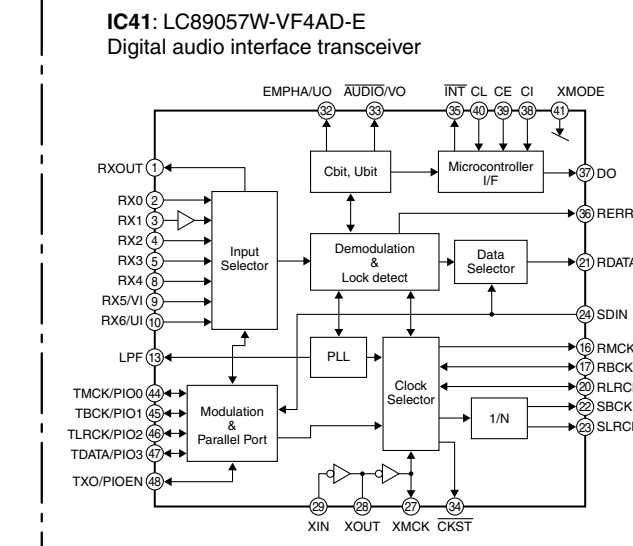
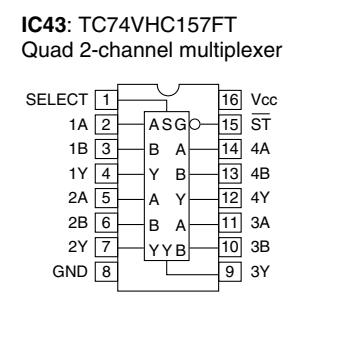
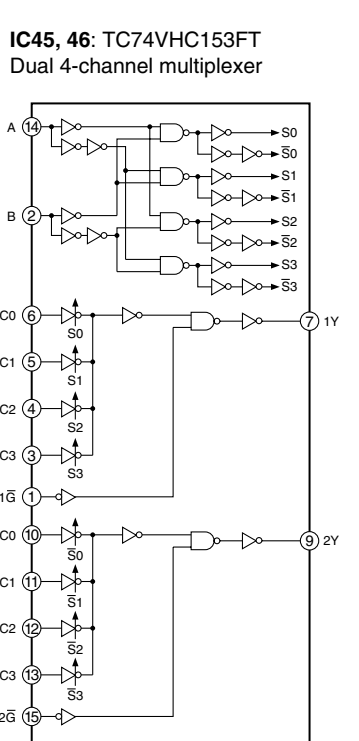
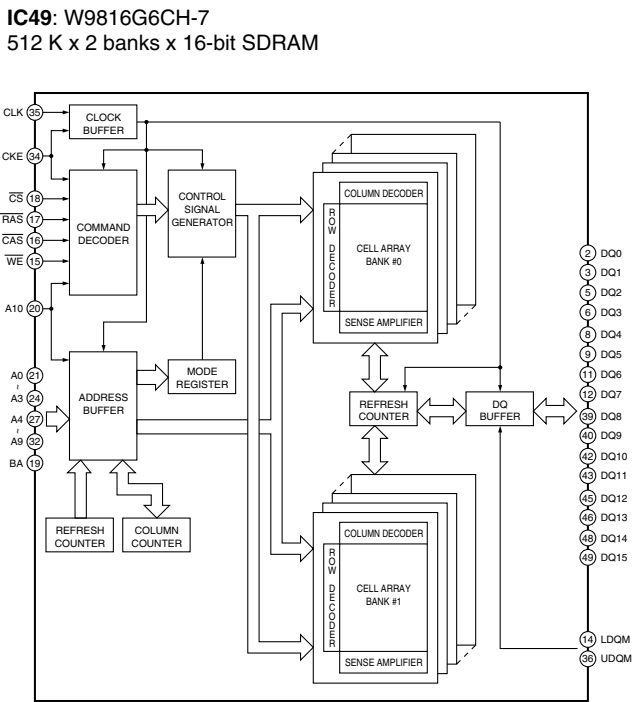


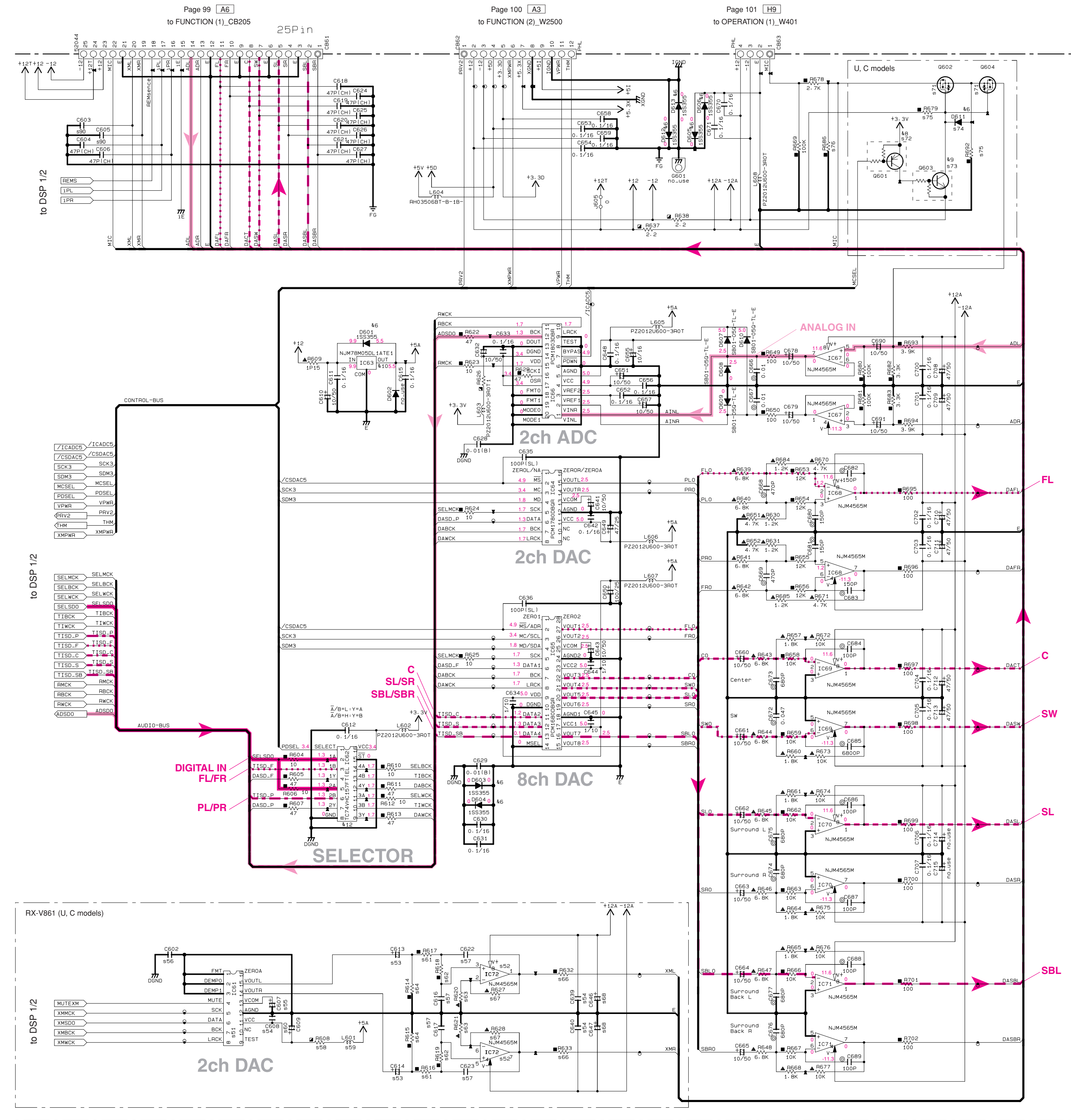
Pin No.	Symbol	Description
1	CE	Chip Enable Pin
2	GND	Ground Pin
3	NC	No Connection
4	V _{IN}	Input Pin
5	V _{OUT}	Output Pin of Voltage Regulator

Pin No.	Symbol	Description
1	V _{OUT}	Output Pin of Voltage Regulator
2,5	GND	Ground Pin
3	CE	Chip Enable Pin
4	NC	No Connection
6	V _{IN}	Input Pin



- * All voltages are measured with a 10M Ω /V DC electronic voltmeter.
- * Components having special characteristics are marked Δ , and must be replaced with parts having specifications equal to those originally installed.
- * Schematic diagram is subject to change without notice.
- 電圧は、内部抵抗10M Ω の電圧計で測定したものです。
- Δ 印のある部品は、安全性確保部品を示しています。部品の交換が必要な場合、パーツリストに記載されている部品を使用してください。
- 本回路図は標準回路図です。改良のため予告なく変更することがございます。





★ All voltages are measured with a 10M Ω /V DC electronic voltmeter.
 ● 電圧は、内部抵抗10M Ω の電圧計で測定したものです。
 ★ Components having special characteristics are marked with a triangle and must be replaced with parts having specifications equal to those originally installed.
 ● 印のある部品は、安全性確保部品を示しています。部品の交換が必要な場合、パーツリストに記載されている部品を使用してください。
 ★ Schematic diagram is subject to change without notice.
 ● 本回路図は標準回路図です。改良のため予告なく変更することがございます。

Interchangeable Parts at Manufacture Stage

Mark	Reference Parts Number	Parts Name
81	U41	T07177 (F.T) GP1FAV50R0F
82	U42, 44 (U.C models)	T0R177 (F.T) GP1FAV50R0F JSR1151-D
83	IC41	LC8957W-VF4AE LC8957W-VF4AE-E
84	IC49	W819690CH-TLTR M2L16161A-TTG
85	Q402	2SC3236 (A,B) 2SC3236 (K) 2SD1704 (F) ST MTC10-2P (S)
86	D406, 409, 411, 601, 603, 606, 611, 613	1SS355 M411
87	Q405	KDS160-RTK/P M411
88	Q601	DT1414EA KTA102S-RTK/P
89	Q603	DT1414EA KTA102S-RTK/P
810	IC63	NUM78M05DL1ATE1 KIA78M05
811	IC62	TC74VHC04PT (EL) SN74VHC04PWR
812	IC43, 62	TC74VHC04PT (EL, K) SN74VHC04PWR
813	IC54, 55	TC74VHC04PT (EL, K) SN74VHC04PWR

Destination Part List

8XX	LOC	JRTKABLE	UC	UC	UC	HTR-6080	G
81	U41	X	X	X	X	X	X
82	C641	X	X	X	X	X	X
85	XL41	X	X	X	X	X	X
86	L402	X	X	X	X	X	X
87	D401	X	X	X	X	X	X
811	J402	X	X	X	X	X	X
813	J403	X	X	X	X	X	X
814	R423	X	X	X	X	X	X
817	R425	X	X	X	X	X	X
818	R426	X	X	X	X	X	X
819	R424	X	X	X	X	X	X
820	R418	X	X	X	X	X	X
821	C416	X	X	X	X	X	X
822	C420	X	X	X	X	X	X
823	C424	X	X	X	X	X	X
824	C417	X	X	X	X	X	X
825	C425	X	X	X	X	X	X
826	R428	X	X	X	X	X	X
827	R429	X	X	X	X	X	X
828	U42	X	X	X	X	X	X
829	U43	X	X	X	X	X	X
851	IC61	X	X	X	X	X	X
852	IC72	X	X	X	X	X	X
853	IC13	X	X	X	X	X	X
854	IC59	X	X	X	X	X	X
855	IC60	X	X	X	X	X	X
856	IC62	X	X	X	X	X	X
857	IC17	X	X	X	X	X	X
858	IC18	X	X	X	X	X	X
859	IC19	X	X	X	X	X	X
860	IC69	X	X	X	X	X	X
861	IC16	X	X	X	X	X	X
862	IC18	X	X	X	X	X	X
863	IC20	X	X	X	X	X	X
864	IC14	X	X	X	X	X	X
865	IC15	X	X	X	X	X	X
866	IC16	X	X	X	X	X	X
867	IC17	X	X	X	X	X	X
868	IC18	X	X	X	X	X	X
869	IC19	X	X	X	X	X	X
870	IC20	X	X	X	X	X	X
871	IC21	X	X	X	X	X	X
872	IC22	X	X	X	X	X	X
873	IC23	X	X	X	X	X	X
874	IC24	X	X	X	X	X	X
875	IC25	X	X	X	X	X	X
876	IC26	X	X	X	X	X	X
877	IC27	X	X	X	X	X	X
878	IC28	X	X	X	X	X	X
879	IC29	X	X	X	X	X	X
880	IC30	X	X	X	X	X	X

REMARKS PARTS NAME

NO MARK ELECTROLYTIC CAPACITOR

○ TANTALUM CAPACITOR

○ CERAMIC TUBULAR CAPACITOR

○ POLYESTER FILM CAPACITOR

○ POLYSTYRENE FILM CAPACITOR

○ MICA CAPACITOR

○ POLYPROPYLENE FILM CAPACITOR

○ SEMICONDUCTIVE CERAMIC CAPACITOR

○ POLYPHENYLENE SULFIDE FILM CAPACITOR

REMARKS PARTS NAME

NO MARK CARBON FILM RESISTOR (P=5)

△ METAL OXIDE FILM RESISTOR

△ METAL FILM RESISTOR

△ METAL PLATE RESISTOR

△ FIRE PROOF CARBON FILM RESISTOR

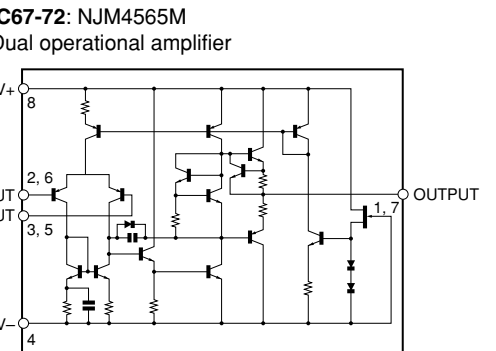
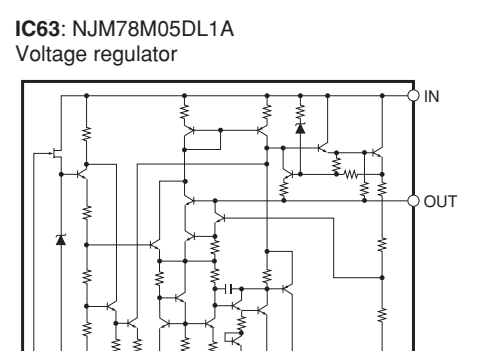
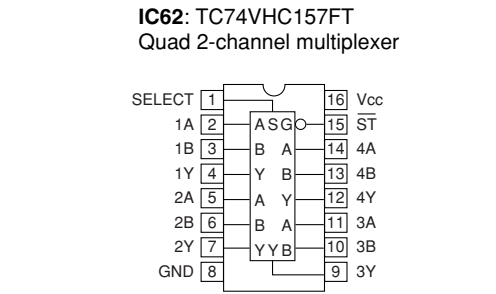
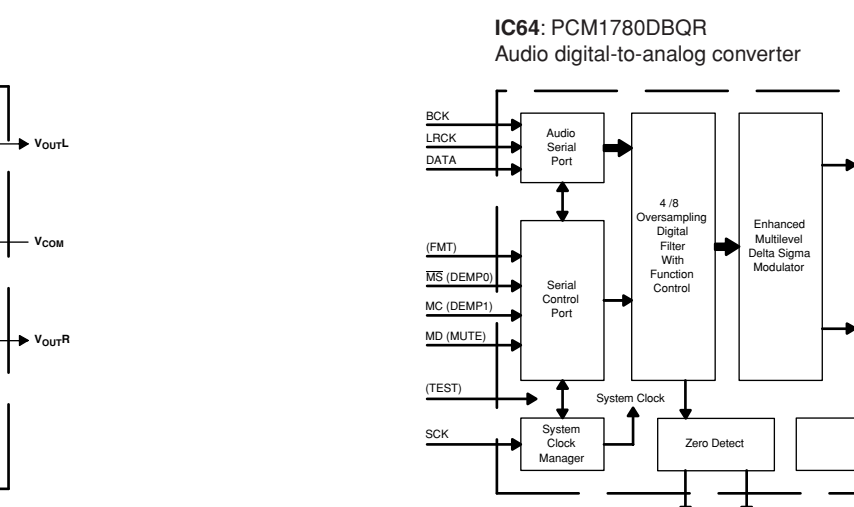
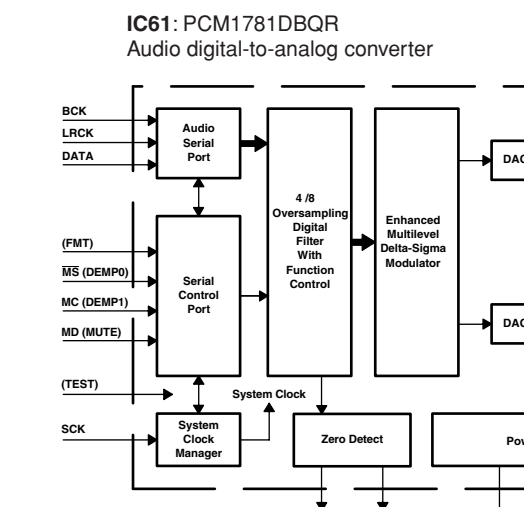
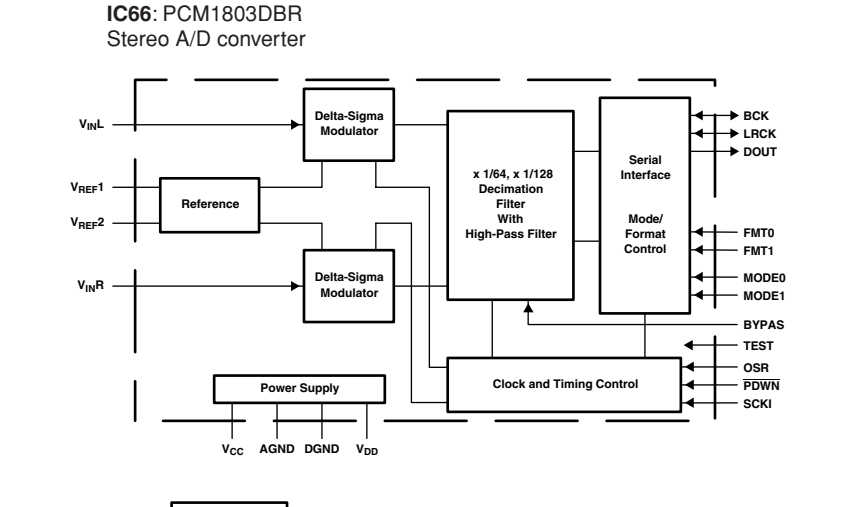
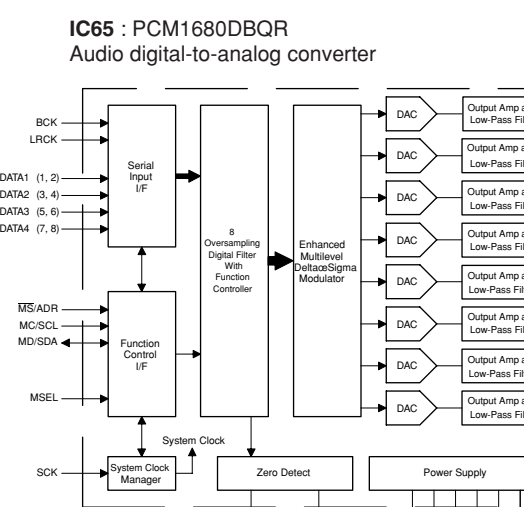
△ CEMENT MOLDED RESISTOR

△ SEMI VARIABLE RESISTOR

△ CHIP RESISTOR

NOTICE (model)

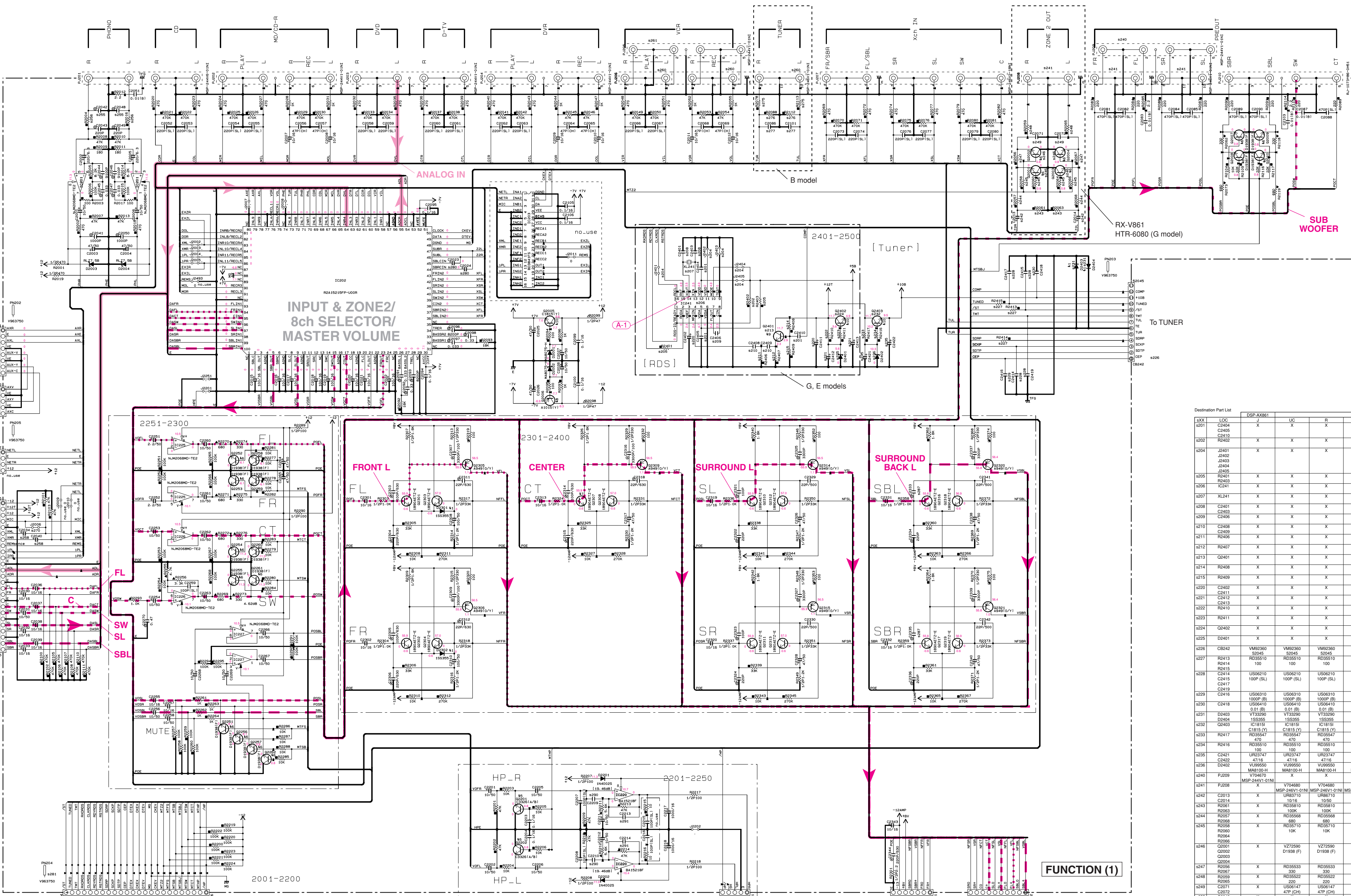
(J)..... JAPAN
 (U)..... U.S.A
 (C)..... CANADA
 (R)..... GENERAL
 (T)..... CHINA
 (K)..... KOREA
 (A)..... AUSTRALIA
 (B)..... BRITISH
 (L)..... EUROPE
 (G)..... SINGAPORE
 (E)..... SOUTH EUROPE
 (V)..... TAIWAN



(1) Open-drain output for the PCM1782
 NOTE: Signal names in parentheses () are for the PCM1781.

(1) Open-drain output for the PCM1782
 NOTE: Signal names in parentheses () are for the PCM1781.

FUNCTION 1/2

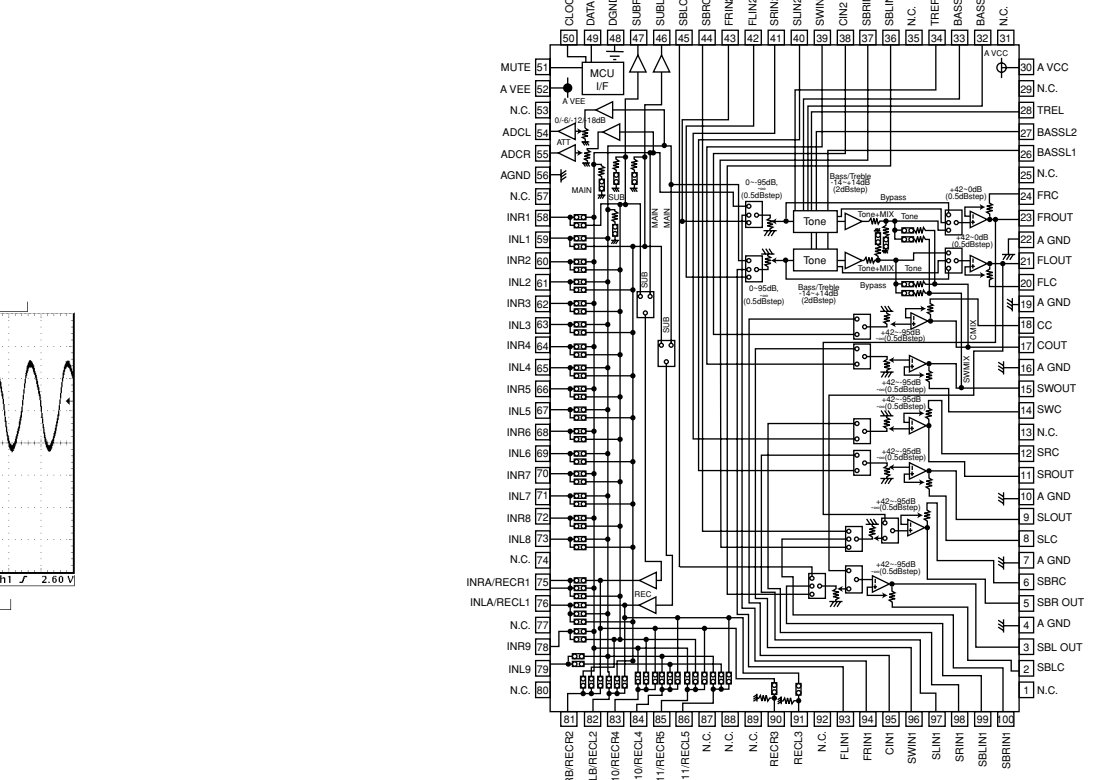


Interchangeable Parts at Manufacture Stage table with columns for Mark, Reference Parts Number, and Parts Name.

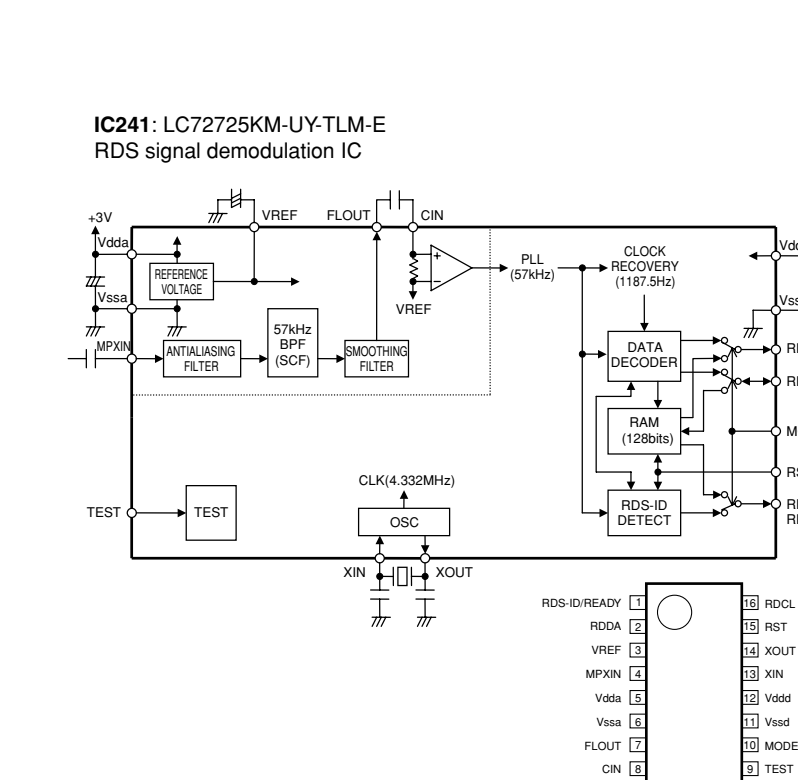
NOTICE (model) (J)..... JAPAN (U)..... U.S.A. (C)..... CANADA (R)..... GENERAL (T)..... CHINA (K)..... KOREA (A)..... AUSTRALIA (B)..... BRITISH (G)..... EUROPE (L)..... SINGAPORE (E)..... SOUTH EUROPE (V)..... TAIWAN

Destination Part List table with columns for LCC, LCC, R, T, A, B, GE, L, LCC, G and various part numbers.

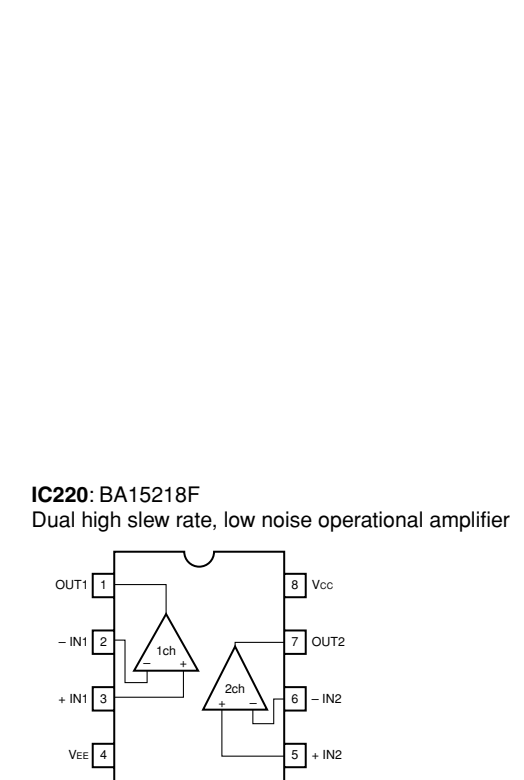
Page 105 [I2] to VIDEO_CB307 IC202: R2A1521FP 8-channel electronic volume with 11 input selector and tone control



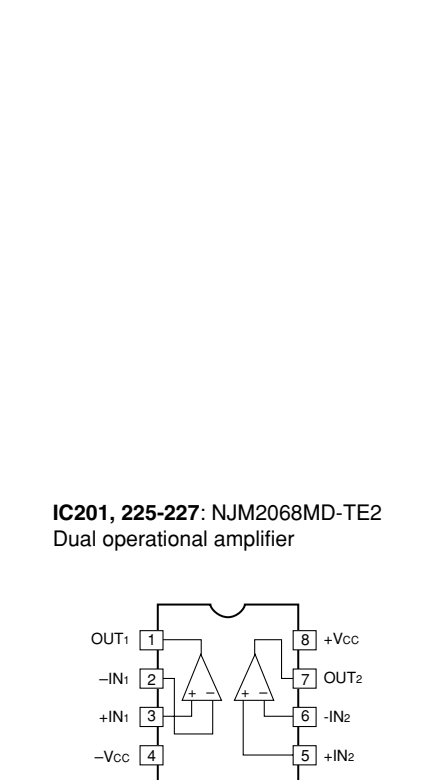
Page 101 [H9] to OPERATION (1)_W402 IC241: LC72725KM-UY-TLM-E RDS signal demodulation IC



Page 102 [D10] to MAIN (1)_W106 IC220: BA15218F Dual high slew rate, low noise operational amplifier



Page 102 [D4] to MAIN (1)_W105 IC201: 225-227: NJM2068MD-TE2 Dual operational amplifier



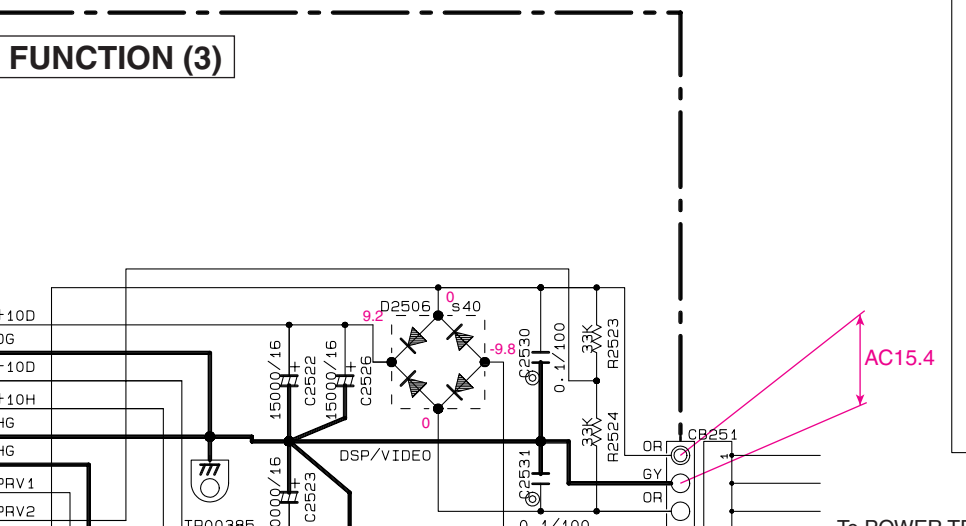
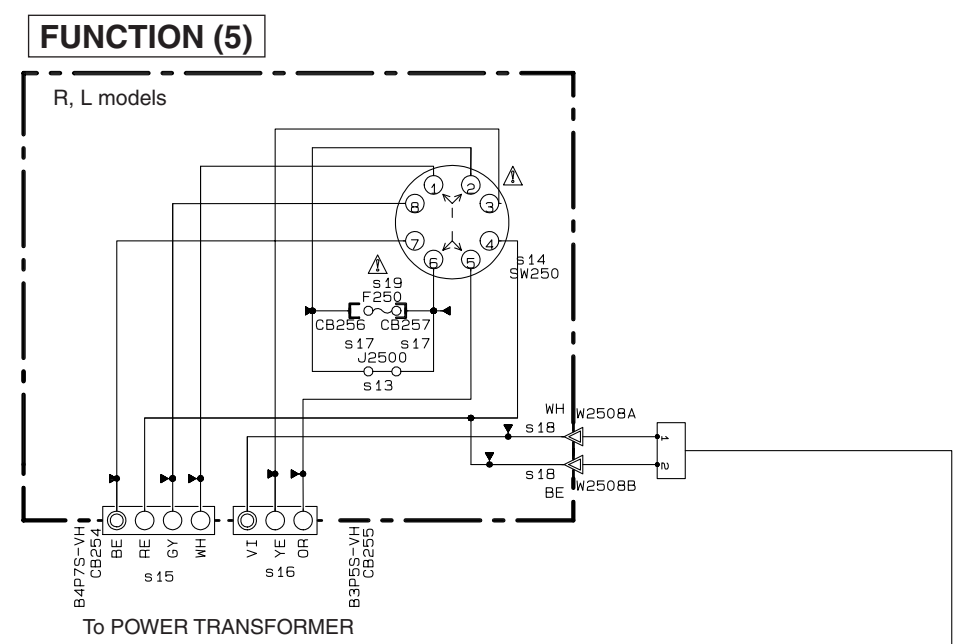
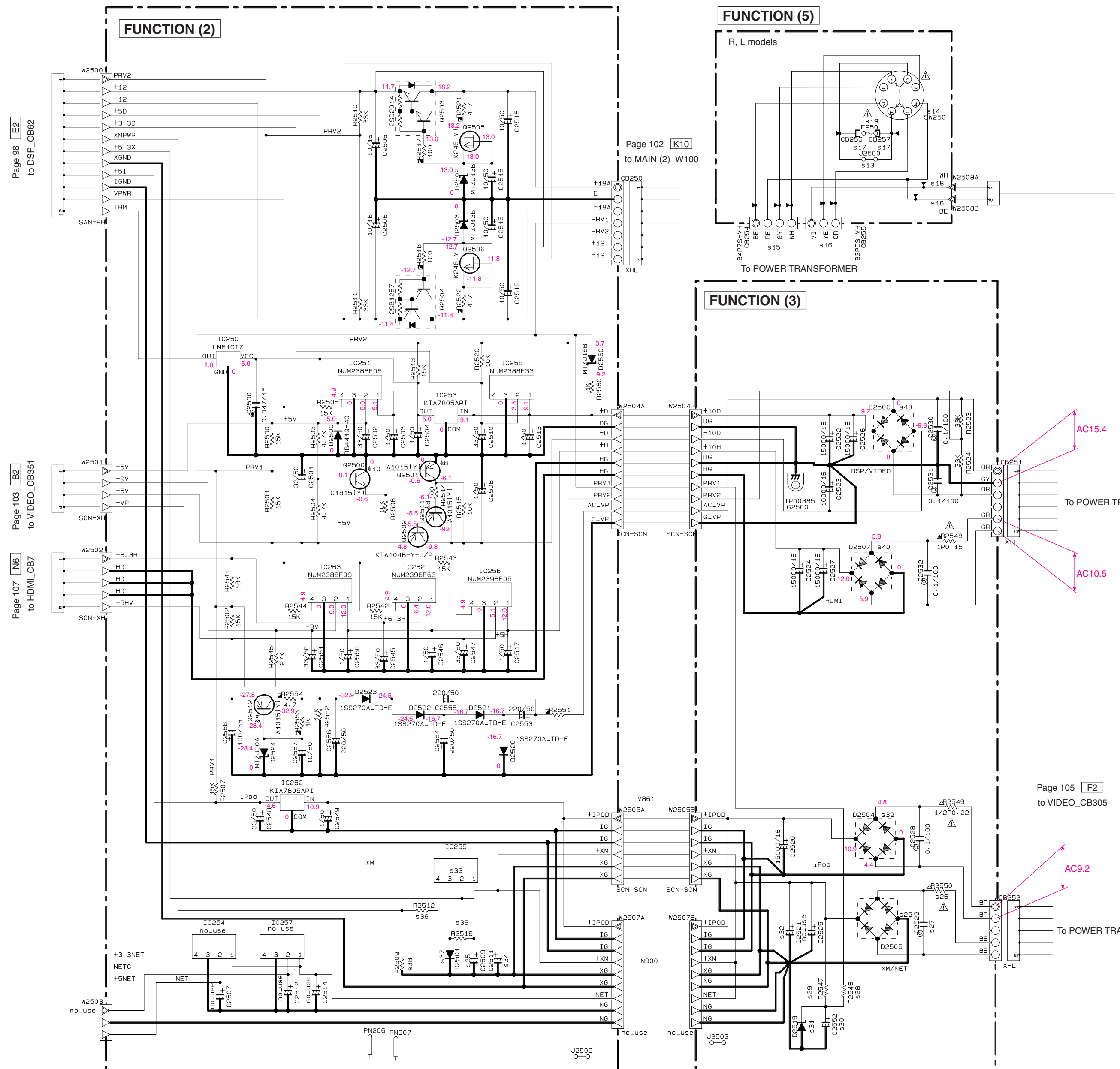
* All voltages are measured with a 10MΩ VDC electronic voltmeter. * Components having special characteristics are marked with a triangle and must be replaced with parts having specifications equal to those originally installed. * Schematic diagram is subject to change without notice. ● 電圧は、内部抵抗10MΩの電圧計で測定したものです。● 印のある部品は、安全性確保部品を示しています。部品の交換が必要な場合、パーツリストに記載されている部品を使用してください。● 本回路図は標準回路図です。改良のため予告なく変更することがございます。

FUNCTION 2/2

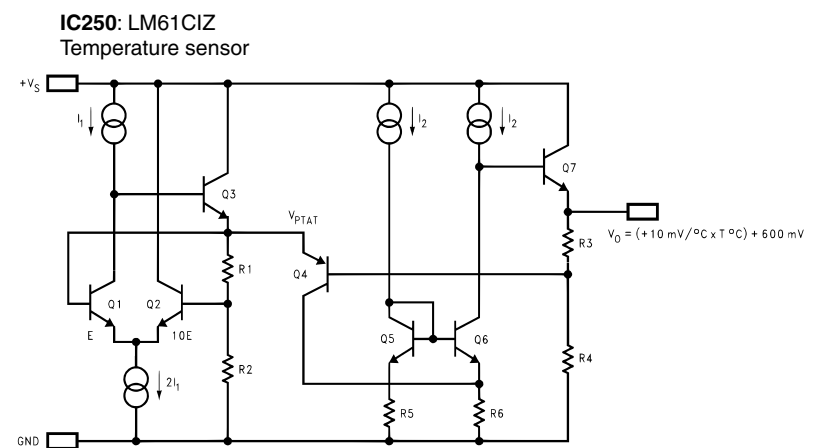
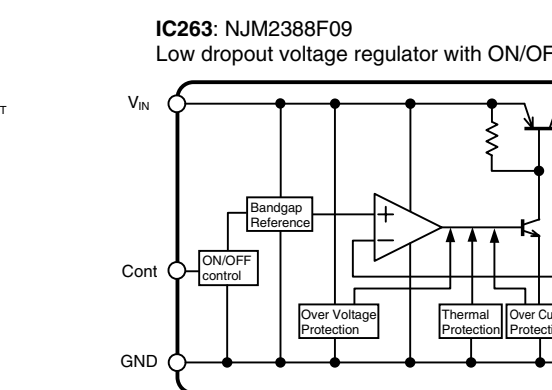
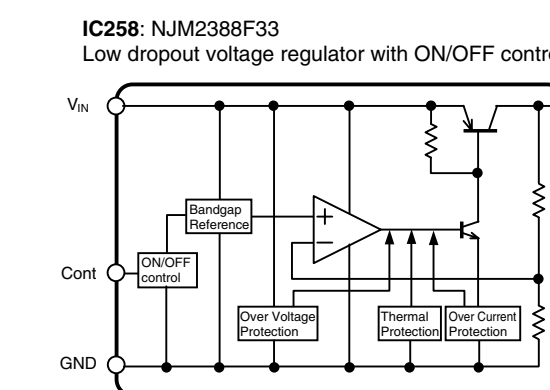
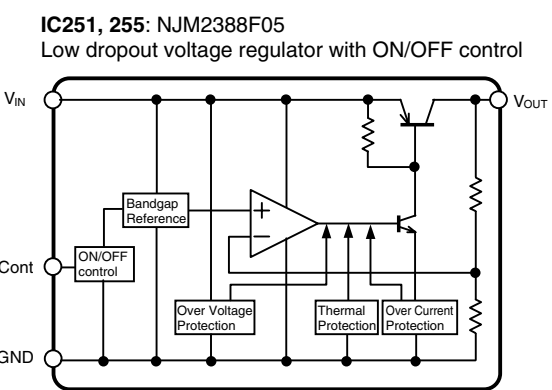
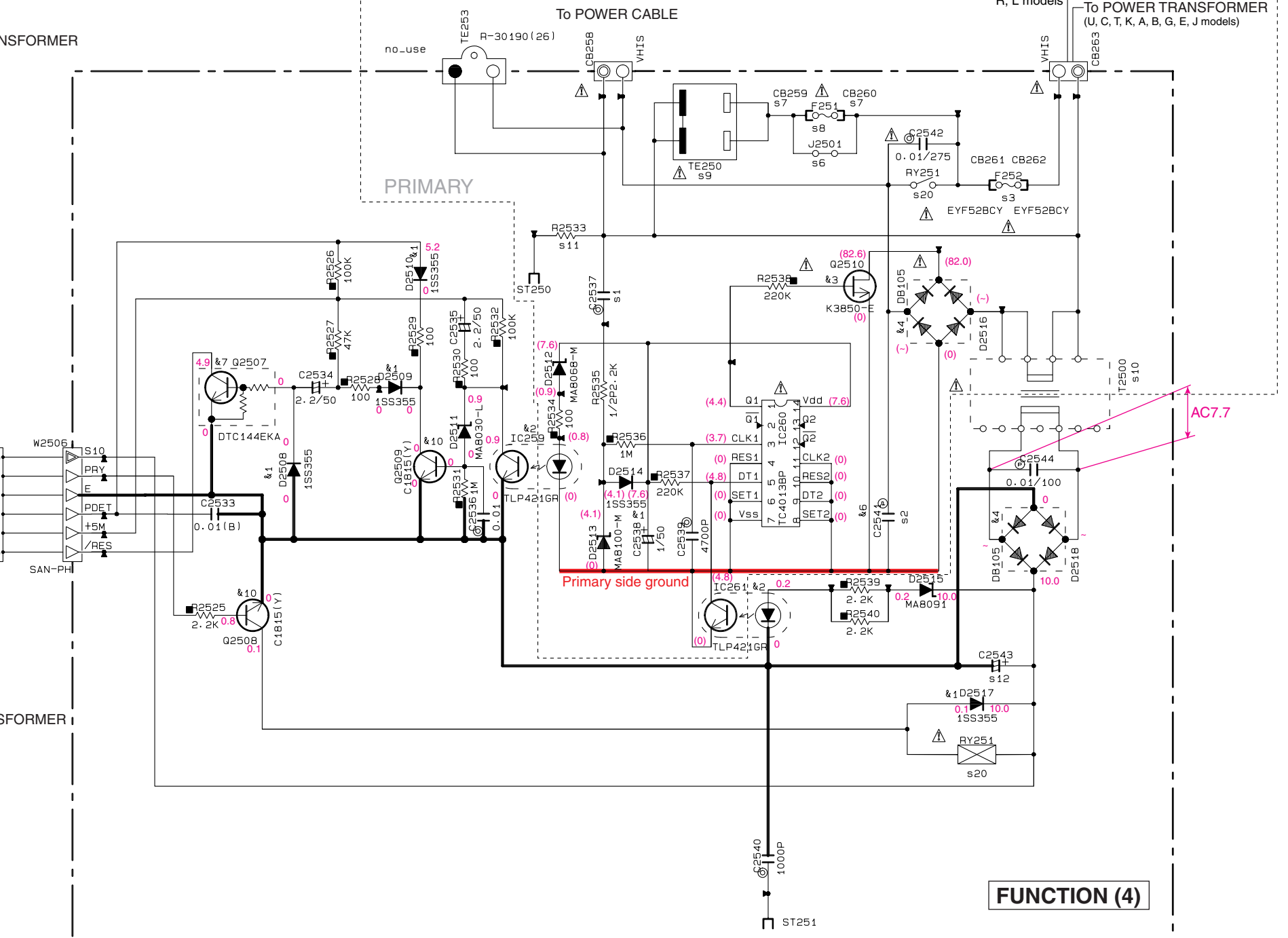
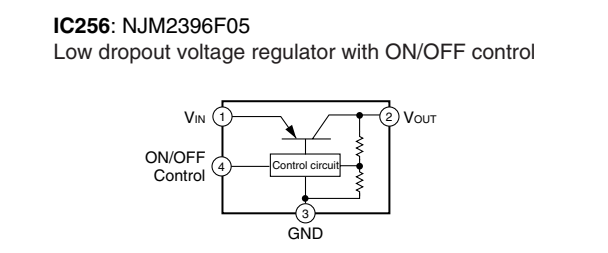
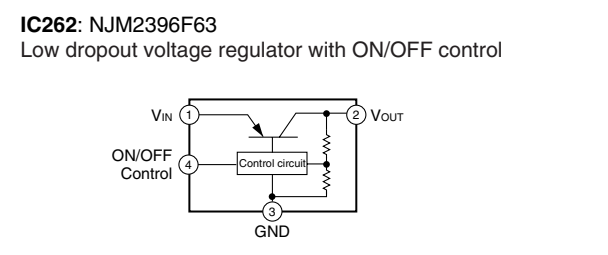
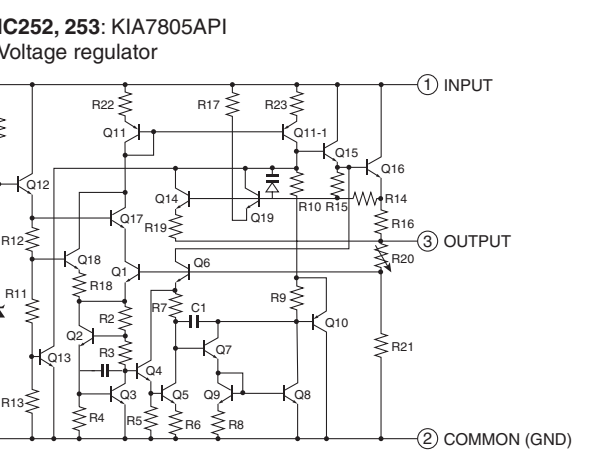
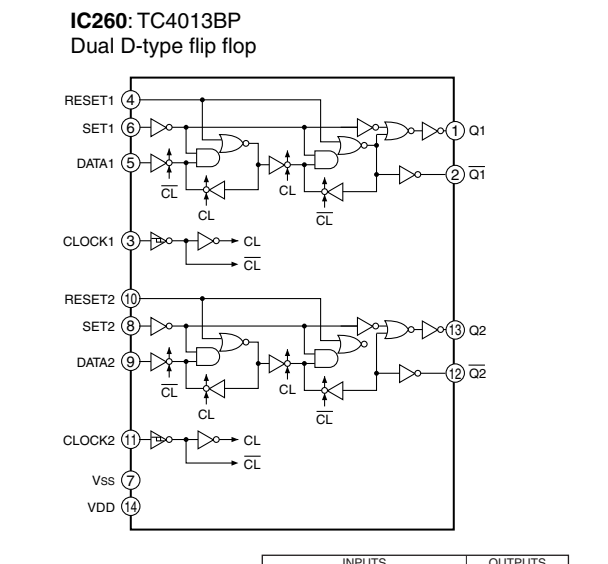
NOTICE (model)
(U)..... JAPAN
(U)..... U.S.A
(C)..... CANADA
(R)..... GENERAL
(T)..... CHINA
(K)..... KOREA
(A)..... AUSTRALIA
(B)..... BRITISH
(G)..... EUROPE
(L)..... SINGAPORE
(E)..... SOUTH EUROPE
(V)..... TAIWAN

RESISTOR table with columns for REMARKS, PARTS NAME, and NO MARK.

CAPACITOR table with columns for REMARKS, PARTS NAME, and NO MARK.



Destination Part List table with columns for sXX, LOC, and various component values for different models.



* All voltages are measured with a 10MΩ/V DC electronic voltmeter.
* Components having special characteristics are marked with a triangle and must be replaced with parts having specifications equal to those originally installed.
* Schematic diagram is subject to change without notice.

●電圧は、内部抵抗10MΩの電圧計で測定したものです。
●△印のある部品は、安全性確保部品を示しています。部品の交換が必要な場合、パーツリストに記載されている部品を使用してください。
●本回路図は標準回路図です。改良のため予告なく変更することがございます。

OPERATION

Table with 2 columns: RESISTOR and CAPACITOR. Lists various resistor and capacitor types and their part names.

Table with 2 columns: REMARKS and PARTS NAME. Lists specific capacitor types like electrolytic, tantalum, and ceramic capacitors.

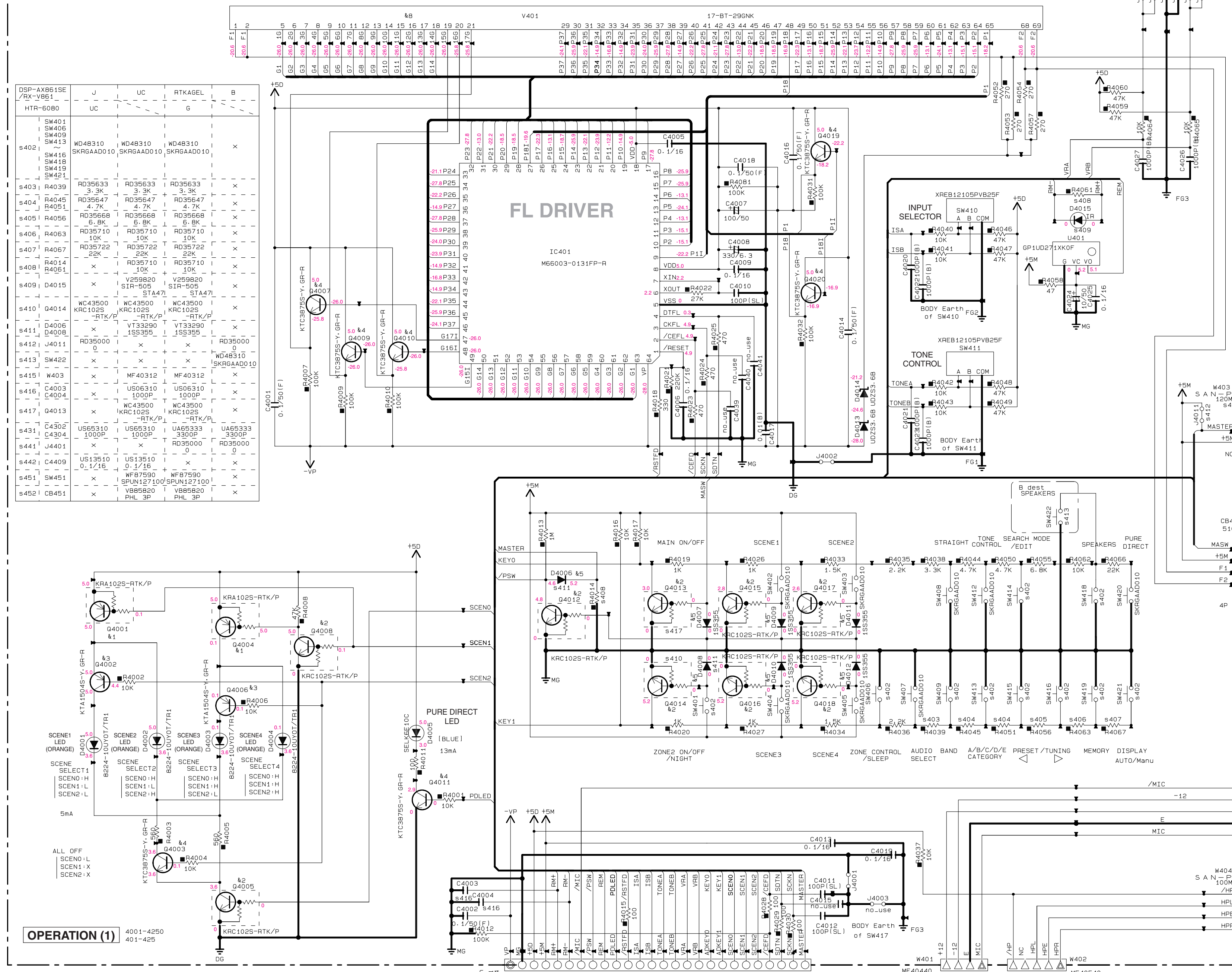
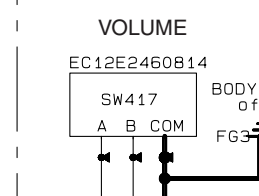
NOTICE (model)

- List of country codes: (J) JAPAN, (U) U.S.A, (C) CANADA, (R) GENERAL, (T) CHINA, (K) KOREA, (A) AUSTRALIA, (B) BRITISH, (G) EUROPE, (L) SINGAPORE, (E) SOUTH EUROPE, (V) TAIWAN.

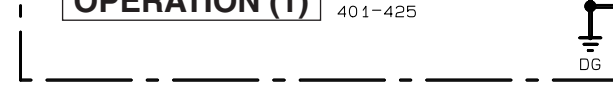
Table with 2 columns: Mark and Reference Parts Number. Lists interchangeable parts like resistors and capacitors.

Table with 2 columns: Mark and Reference Parts Number. Lists interchangeable parts like ICs and diodes.

OPERATION (6)

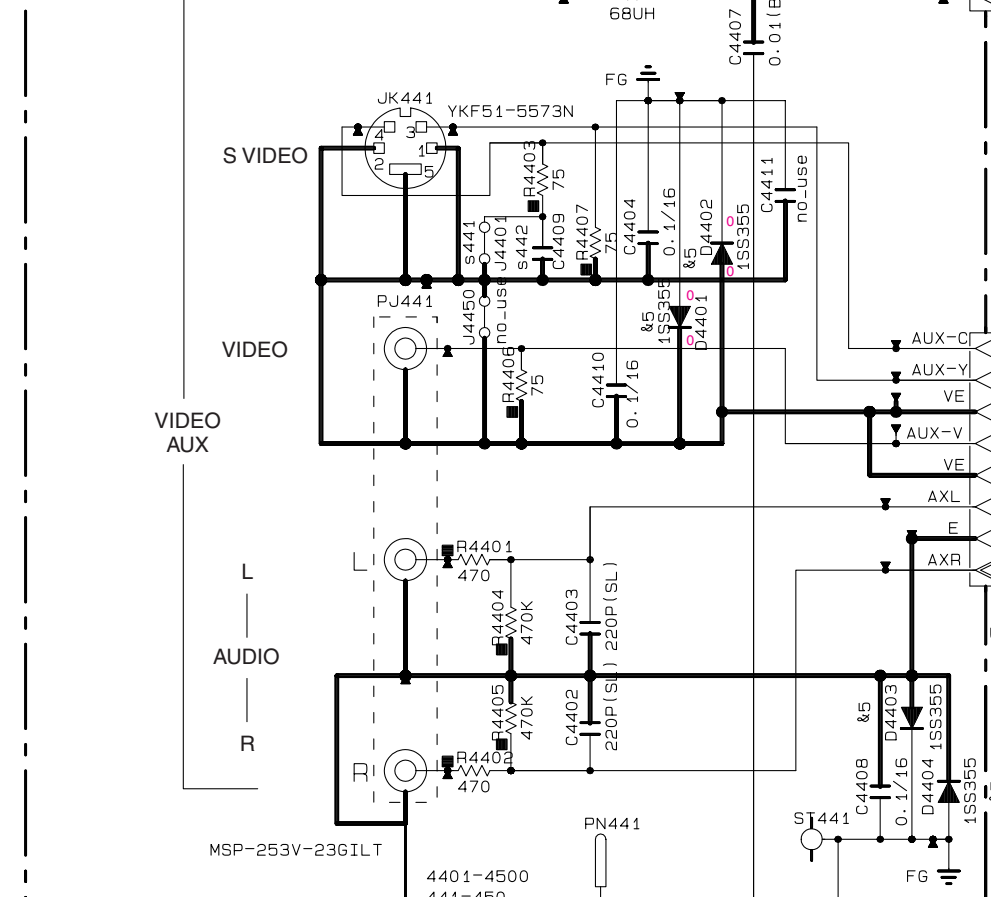


OPERATION (1)



Key detection for AD port table. Lists pin numbers and their corresponding functions for different models.

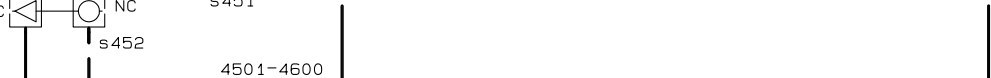
Key detection for AD port table. Lists pin numbers and their corresponding functions for different models.



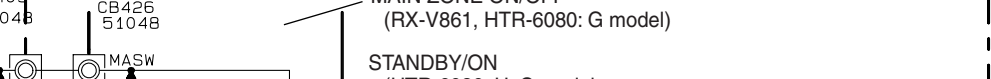
OPERATION (5)



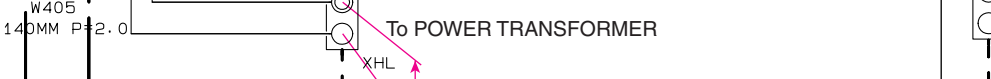
OPERATION (2)



OPERATION (3)



OPERATION (3)



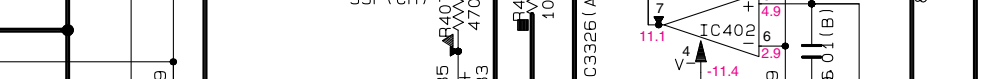
OPERATION (3)



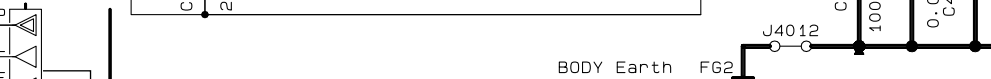
OPERATION (3)



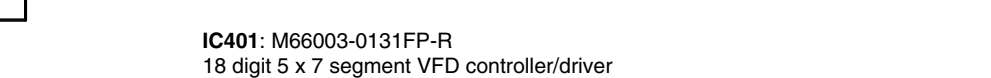
OPERATION (3)



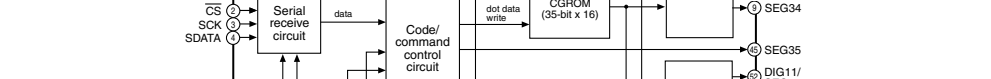
OPERATION (3)



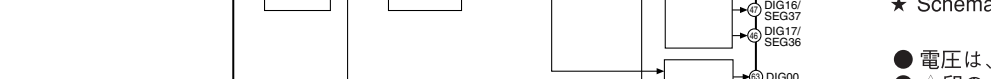
OPERATION (3)



OPERATION (3)



OPERATION (3)



OPERATION (3)



Page 97 [E1] to DSP_CB46

Page 99 [A4] to FUNCTION (1)_CB201

RX-V861, HTR-6080: G model

MAIN ZONE ON/OFF (RX-V861, HTR-6080: G model)

STANDBY/ON (HTR-6080: U.C models, DSP-AX861SE: B model, DSP-AX861: J model)

To POWER TRANSFORMER

OPTIMIZER MIC

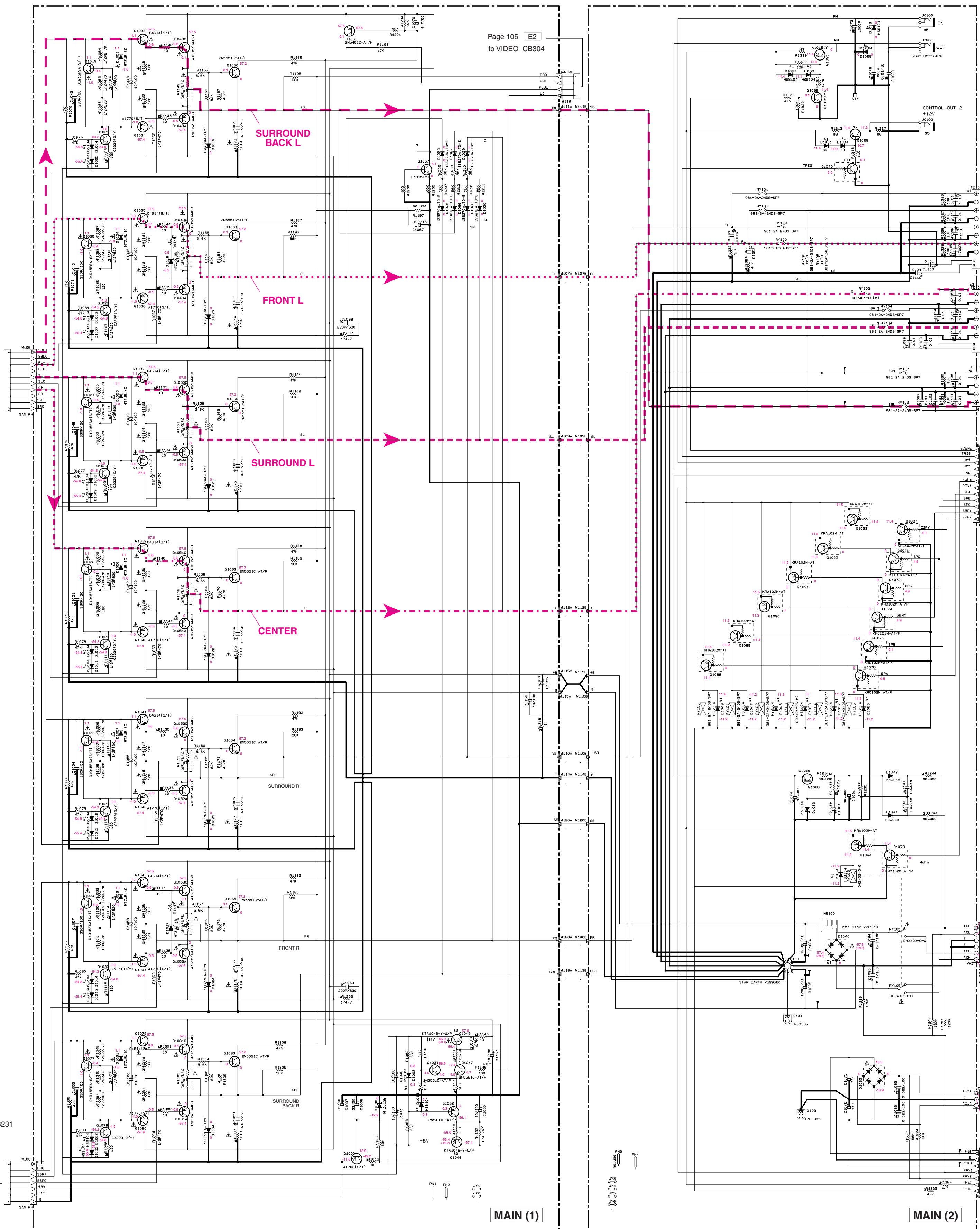
IC441: TC7SET32FU 2-input OR gate

IC402: NJM4555M Dual operational amplifier

IC401: M66003-0131FP-R 18 digit 5 x 7 segment VFD controller/driver

- Notes: All voltages are measured with a 10MΩ/V DC electronic voltmeter. Components having special characteristics are marked with a star. Schematic diagram is subject to change without notice.

- Notes: 電圧は、内部抵抗10MΩの電圧計で測定したものです。特別な特性のある部品は、安全性確保部品を示しています。部品の交換が必要な場合、パーツリストに記載されている部品を使用してください。本回路図は標準回路図です。改良のため予告なく変更することがございます。



RESISTOR

REMARKS	PARTS NAME
NO MARK	CARBON FILM RESISTOR (P+5)
□	CARBON FILM RESISTOR (P+10)
△	METAL OXIDE FILM RESISTOR
▲	METAL FILM RESISTOR
■	METAL PLATE RESISTOR
□	FILM PROOF CARBON FILM RESISTOR
□	CEMENT MOLDED RESISTOR
□	SEMI-VARIABLE RESISTOR
■	CHIP RESISTOR

CAPACITOR

REMARKS	PARTS NAME
NO MARK	ELECTROLYTIC CAPACITOR
⊗	TANTALUM CAPACITOR
⊙	CERAMIC CAPACITOR
●	CERAMIC TUBULAR CAPACITOR
⊖	POLYESTER FILM CAPACITOR
○	POLYETHYLENE FILM CAPACITOR
⊕	MICA CAPACITOR
⊗	POLYPROPYLENE FILM CAPACITOR
●	SEMICONDUCTIVE CERAMIC CAPACITOR

NOTICE (note1)

(J)..... JAPAN
 (U)..... U.S.A
 (C)..... CANADA
 (B)..... GENERAL
 (T)..... CHINA
 (K)..... KOREA
 (A)..... AUSTRALIA
 (S)..... SINGAPORE
 (E)..... SOUTH EUROPE
 (V)..... TAIWAN

Interchangeable Parts at Manufacture-Stage

Mark	Reference Parts Number	Parts Name
A1	D1003-1076, 1031, 1033, 1034, 1037-1039, 1043, 1047, 1049, 1062, 1063, 1065, 1067-1069	HSS104 HSS133 HSS176
A2	Q1045, 1046	KT1046-Y-UP SR1956 (E) RS1040-040 KBP1933-01X0
A3	D1035	27

FRONT B/ZONE 2 L/R
 FRONT A L/R
 CENTER
 SURROUND L/R
 SURROUND BACK/BI-AMP L/R

Page 105 [D2]
to VIDEO_CB303

Destination Part List

3XX	LOC	DSP-AX861	UCRYA RX-V861	KGLE	DSP-AX861SE	UC	HTR-6080	G
s1	D1040	WA65320 TS6P03G-08_X0	WK61110 DESBN20 6A 200V	WA65320 TS6P03G-08_X0	WA65320 TS6P03G-08_X0	WK61110 DESBN20 6A 200V	WA65320 TS6P03G-08_X0	WA65320 TS6P03G-08_X0
s2	YE102	WH96300 LTS0410-0015FM	WH96300 LTS0410-0015FM	WH96310 LTS0410-0016FM	WH96310 LTS0410-0016FM	WH96300 LTS0410-0015FM	WH96300 LTS0410-0015FM	WH96310 LTS0410-0016FM
s3	YE101	WH96300 LTS0810-0014FM	WH96300 LTS0810-0014FM	WH96330 LTS0810-0015FM	WH96330 LTS0810-0015FM	WH96300 LTS0810-0014FM	WH96300 LTS0810-0014FM	WH96330 LTS0810-0015FM
s4	YE100	WH96340 LTS0810-0020FM	WH96340 LTS0810-0020FM	WH96350 LTS0810-0021FM	WH96350 LTS0810-0021FM	WH96340 LTS0810-0020FM	WH96340 LTS0810-0020FM	WH96350 LTS0810-0021FM
s5	JK100	X	VA43570	VA43570	X	X	VA43570	VA43570
s6	JK102	X	MSJ-035-12APC	MSJ-035-12APC	X	X	MSJ-035-12APC	MSJ-035-12APC
s7	R1217	X	HF45810 100K	HF45810 100K	X	X	HF45810 100K	HF45810 100K
s8	Q1069	X	VP87260	VP87260	X	X	VP87260	VP87260
s9	R1213	X	HF45427	HF45427	X	X	HF45427	HF45427
s10	D1031	X	VD63160	VD63160	X	X	VD63160	VD63160
s10	R1216	X	HF45647	HF45647	X	X	HF45647	HF45647
s11	Q1070	X	VV91230	VV91230	X	X	VV91230	VV91230
s12	C1075	UR04968	DTC144ESA-TP	DTC144ESA-TP	UR04968	UR04968	DTC144ESA-TP	DTC144ESA-TP
s13	C1076	6800/25	6800/25	6800/25	6800/25	6800/25	6800/25	6800/25
		2200/25	2200/25	2200/25	2200/25	2200/25	2200/25	2200/25

To POWER TRANSFORMER
 AC57.7
 AC84.5
 AC29.2

Page 100 [E4]
to FUNCTION (2)_CB250

* Limiter Control Impedance: 8 ohms

	High	Low (U.C.T.N.A.L. mode)	Low (R.L. mode)	Low (L. mode)
LC [V] 2V (A.D.S.V-255)	+4.8 (255)	+2.0 (80)	+2.4 (110)	+1.8 (80)
AV [V] 1.0V	+60.0	+25.0	+30.0	+20.0
SV [V] 1.0V	-59.0	-25.0	-30.0	-20.0

Impedance: 6 ohms

	High	Low (U.C.T.N.A.L. mode)	Low (R.L. mode)	Low (L. mode)
LC [V] 2V (A.D.S.V-255)	+5.0 (255)	+1.4 (65)	+1.7 (80)	+1.1 (50)
AV [V] 1.0V	+38.0	+17.0	+21.0	+14.0
SV [V] 1.0V	-37.0	-16.0	-20.0	-14.0

Page 99 [I8]
to FUNCTION (1)_CB232

Page 99 [H8]
to FUNCTION (1)_CB231

Page 105 [E2]
to VIDEO_CB304

MAIN (1)

MAIN (2)

- * All voltages are measured with a 10MΩ/V DC electronic voltmeter.
- * Components having special characteristics are marked '!' and must be replaced with parts having specifications equal to those originally installed.
- * Schematic diagram is subject to change without notice.
- 電圧は、内部抵抗10MΩの電圧計で測定したものです。
- !印のある部品は、安全性確保部品を示しています。部品の交換が必要な場合、パーツリストに記載されている部品を使用してください。
- 本回路図は標準回路図です。改良のため予告なく変更することがございます。

VIDEO 1/3

Page 100 [B6] to FUNCTION (2)_W2501

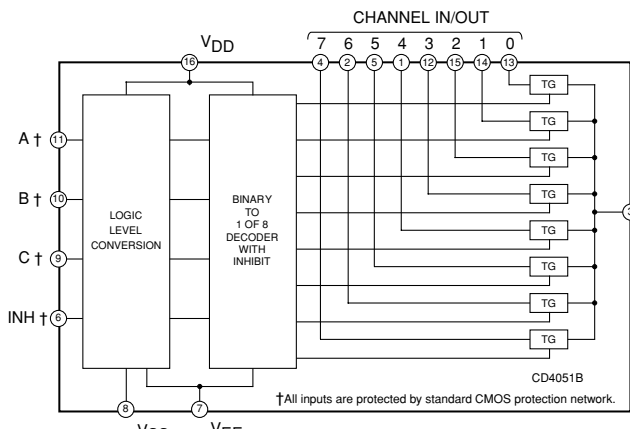
Page 97 [D1] to DSP_CB43

Page 99 [A4] to FUNCTION (1)_CB202

Page 107 [D7] to HDMI_CB6

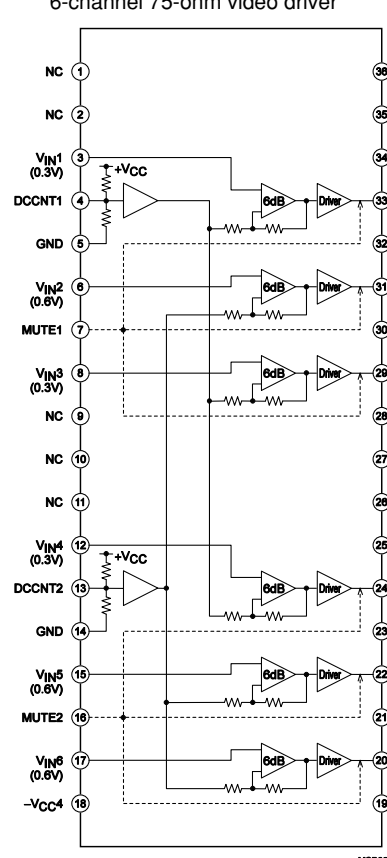
NOTICE (model) (J)..... JAPAN (U)..... U.S.A (C)..... CANADA (R)..... GENERAL (T)..... CHINA (K)..... KOREA (A)..... AUSTRALIA (B)..... BRITISH (G)..... EUROPE (L)..... SINGAPORE (E)..... SOUTH EUROPE (V)..... TAIWAN

IC353: CD4051BNSR Single 8-channel multiplexer

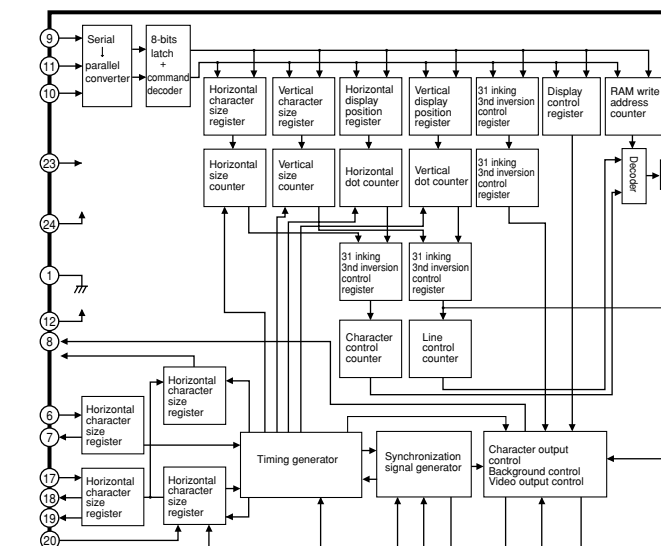


RESISTOR and CAPACITOR parts list with remarks and part names.

IC354, 355: LA73050-TLM-E 6-channel 75-ohm video driver

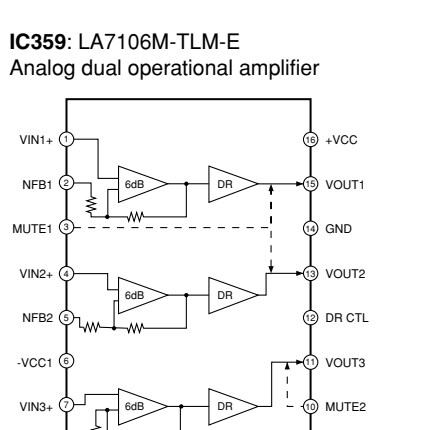
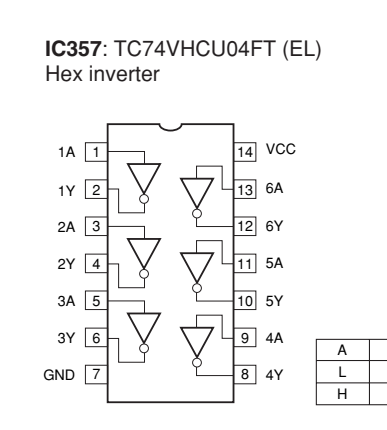
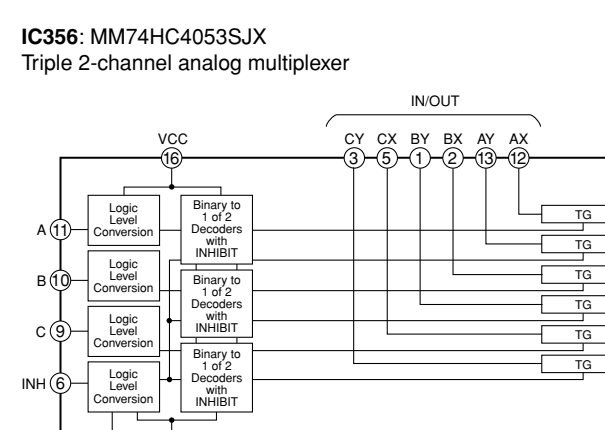
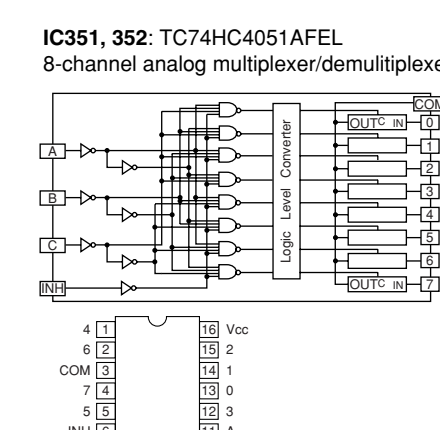
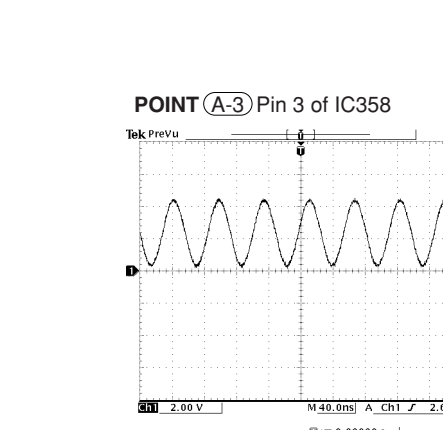
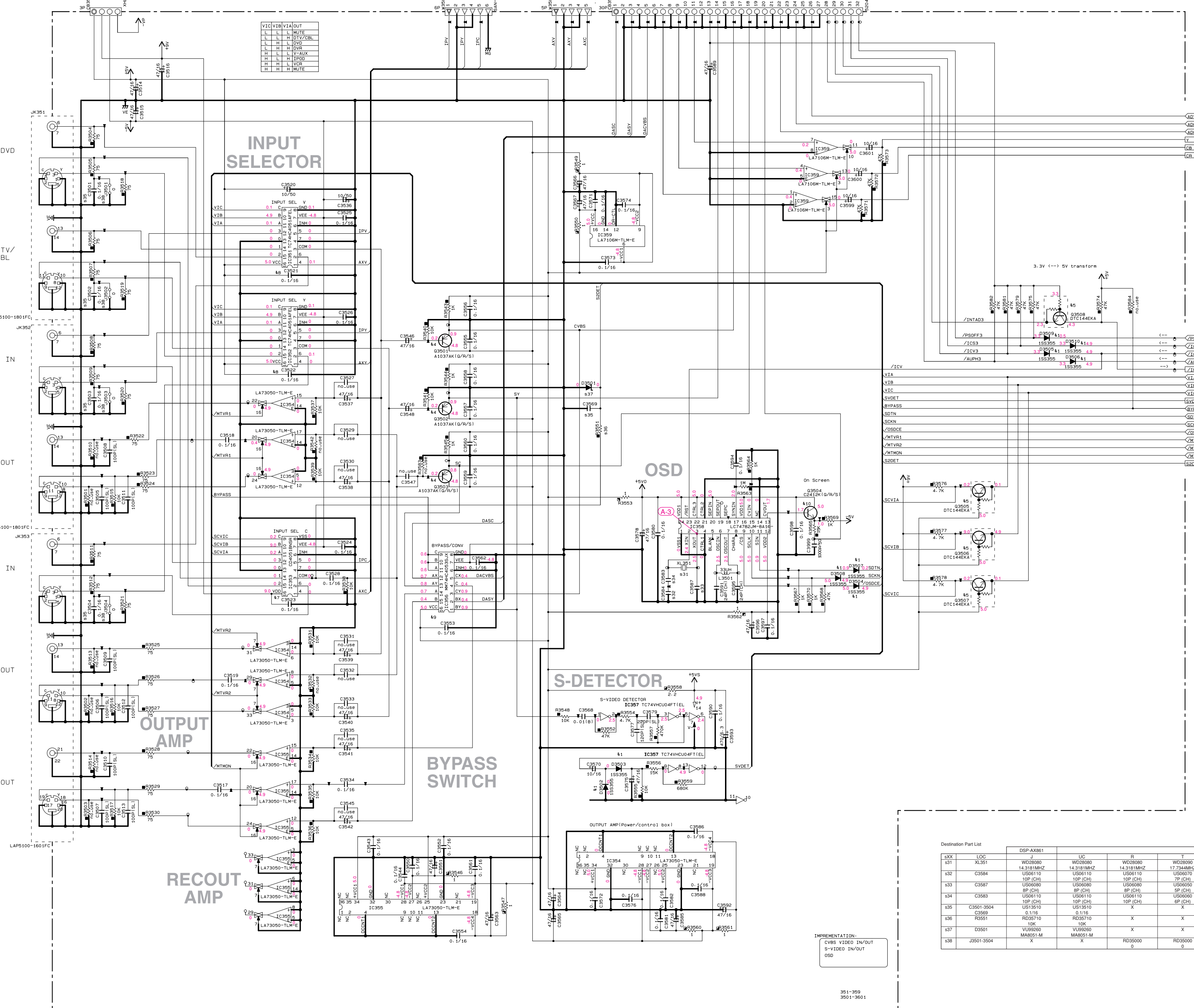


IC358: LC74782JM-8A16-TLMC The on-screen display controller LSI

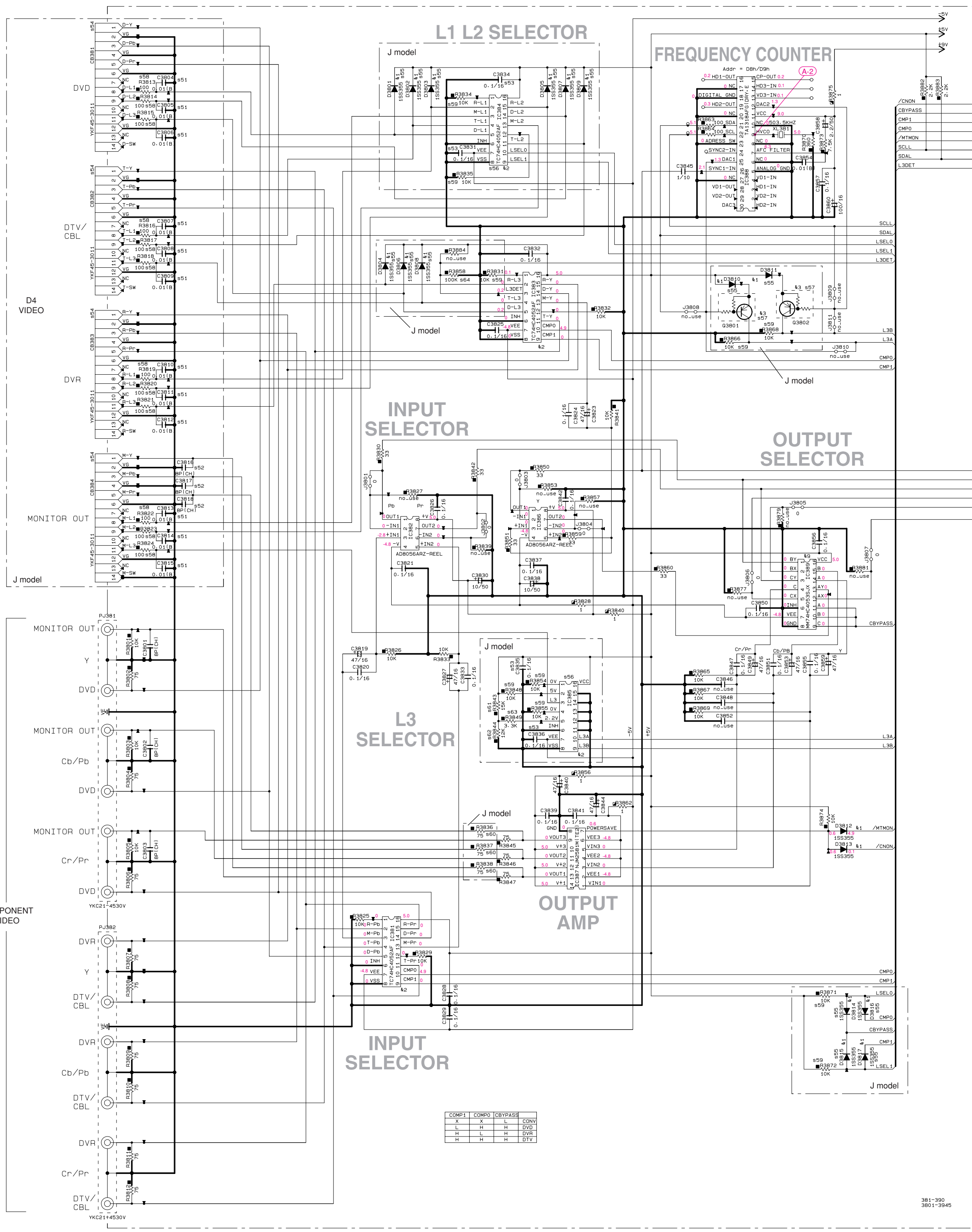


Interchangeable Parts at Manufacture Stage table with Mark, Reference Part Number, and Part Name.

Destination Part List table with columns for DSP AX861, UC, B, F, K, A, S, G, E and various component values.



* All voltages are measured with a 10MΩ/V DC electronic voltmeter. * Components having special characteristics are marked with a triangle and must be replaced with parts having specifications equal to those originally installed. * Schematic diagram is subject to change without notice.



to VIDEO 3/3

to VIDEO 1/3

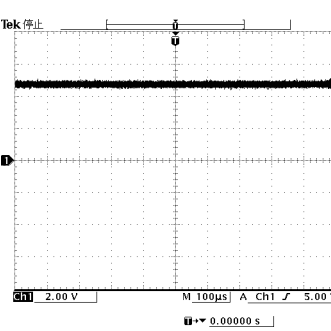
Destination Part List		RX-V861/DSP-AX861SE											HTR-6080	
SXX	LOC	DSP-AX861	UC	R	T	K	A	B	GE	L	UC	G		
S51	C3604-3815	US06410 0.01 (B)	X	X	X	X	X	X	X	X	X	X		
S52	C3816-3818	US06080 8P (CH)	X	X	X	X	X	X	X	X	X	X		
S53	C3831	US15510 0.1/16	X	X	X	X	X	X	X	X	X	X		
S54	C3834-3836	WD39840 YK45-3011	X	X	X	X	X	X	X	X	X	X		
S55	D3801-3811	VT33290 1SS355	X	X	X	X	X	X	X	X	X	X		
S56	IC384	XS750A0 TC74HC4052AF	X	X	X	X	X	X	X	X	X	X		
S57	Q3801	VV65500 Q3802	X	X	X	X	X	X	X	X	X	X		
S58	R3813-3824	RD35510 100	X	X	X	X	X	X	X	X	X	X		
S59	R3831, 3834 R3835, 3846 R3854, 3855 R3866, 3868 R3871, 3872	RD35710 10K	X	X	X	X	X	X	X	X	X	X		
S60	R3836-3838	RD35475 75	X	X	X	X	X	X	X	X	X	X		
S61	R3843	RD35715 15K	X	X	X	X	X	X	X	X	X	X		
S62	R3844	RD35712 12K	X	X	X	X	X	X	X	X	X	X		
S63	R3849	RD35533 3.3K	X	X	X	X	X	X	X	X	X	X		
S64	R3858	RD35810 100K	X	X	X	X	X	X	X	X	X	X		

NOTICE (mode1)
(J)..... JAPAN
(U)..... U.S.A
(C)..... CANADA
(R)..... GENERAL
(T)..... CHINA
(K)..... KOREA
(A)..... AUSTRALIA
(B)..... BRITISH
(G)..... EUROPE
(L)..... SINGAPORE
(E)..... SOUTH EUROPE
(V)..... TAIWAN

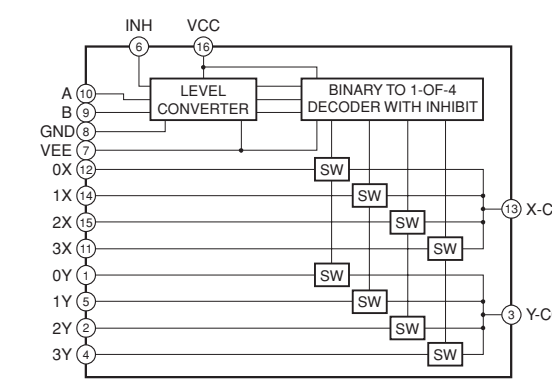
REMARKS	PARTS NAME
NO MARK	ELECTROLYTIC CAPACITOR
⊖	TANTALUM CAPACITOR
NO MARK	CERAMIC CAPACITOR
⊙	CERAMIC TUBULAR CAPACITOR
⊕	POLYESTER FILM CAPACITOR
⊖	POLYSTYRENE FILM CAPACITOR
⊕	MEGA CAPACITOR
⊖	POLYPROPYLENE FILM CAPACITOR
⊕	SEMICONDUCTIVE CERAMIC CAPACITOR

REMARKS	PARTS NAME
NO MARK	CARBON FILM RESISTOR (P=5)
⊖	CARBON FILM RESISTOR (P=10)
⊕	METAL OXIDE FILM RESISTOR
⊖	METAL FILM RESISTOR
⊕	METAL PLATE RESISTOR
⊖	FIRE PROOF CARBON FILM RESISTOR
⊕	CEMENT MOLDED RESISTOR
⊖	SEMI VARIABLE RESISTOR
⊕	CHIP RESISTOR

POINT (A-2) Pin 9 of IC388

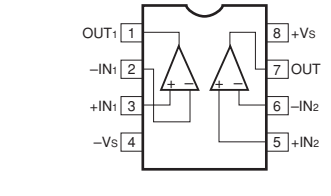


IC381, 383-385: TC74HC4052AF
Analog multiplexer/demultiplexer

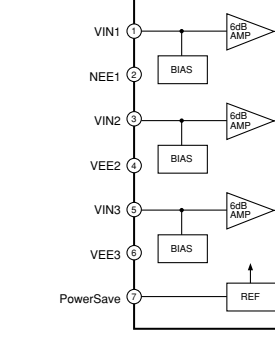


INHIBIT	B	A	OUT
0	0	0	01, 0V
0	0	1	15, 1V
0	1	0	25, 2V
0	1	1	35, 3V
1	X	X	NONE

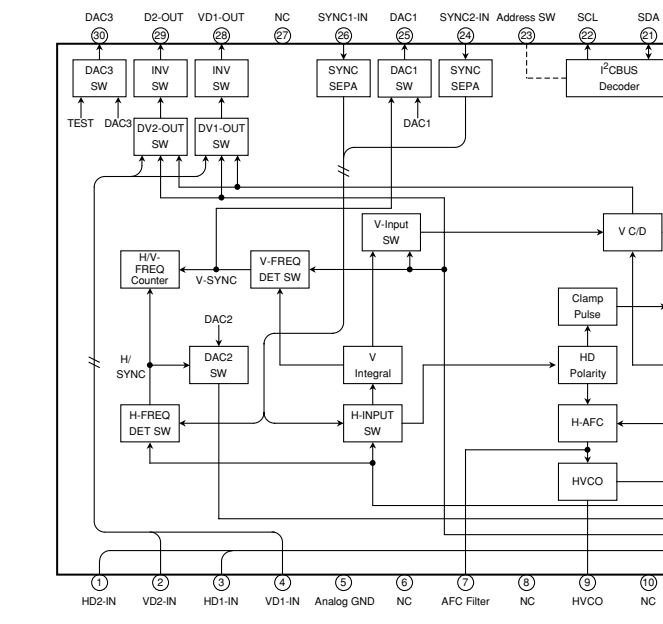
IC382, 386: AD8056AR
Voltage feedback amplifiers



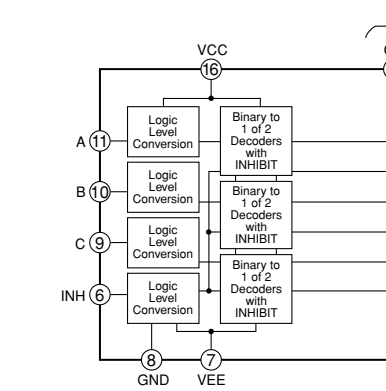
IC387: NJM2581M
Video amplifier



IC388: TA1318AF
SYNC processor, frequency counter IC for TV component signals



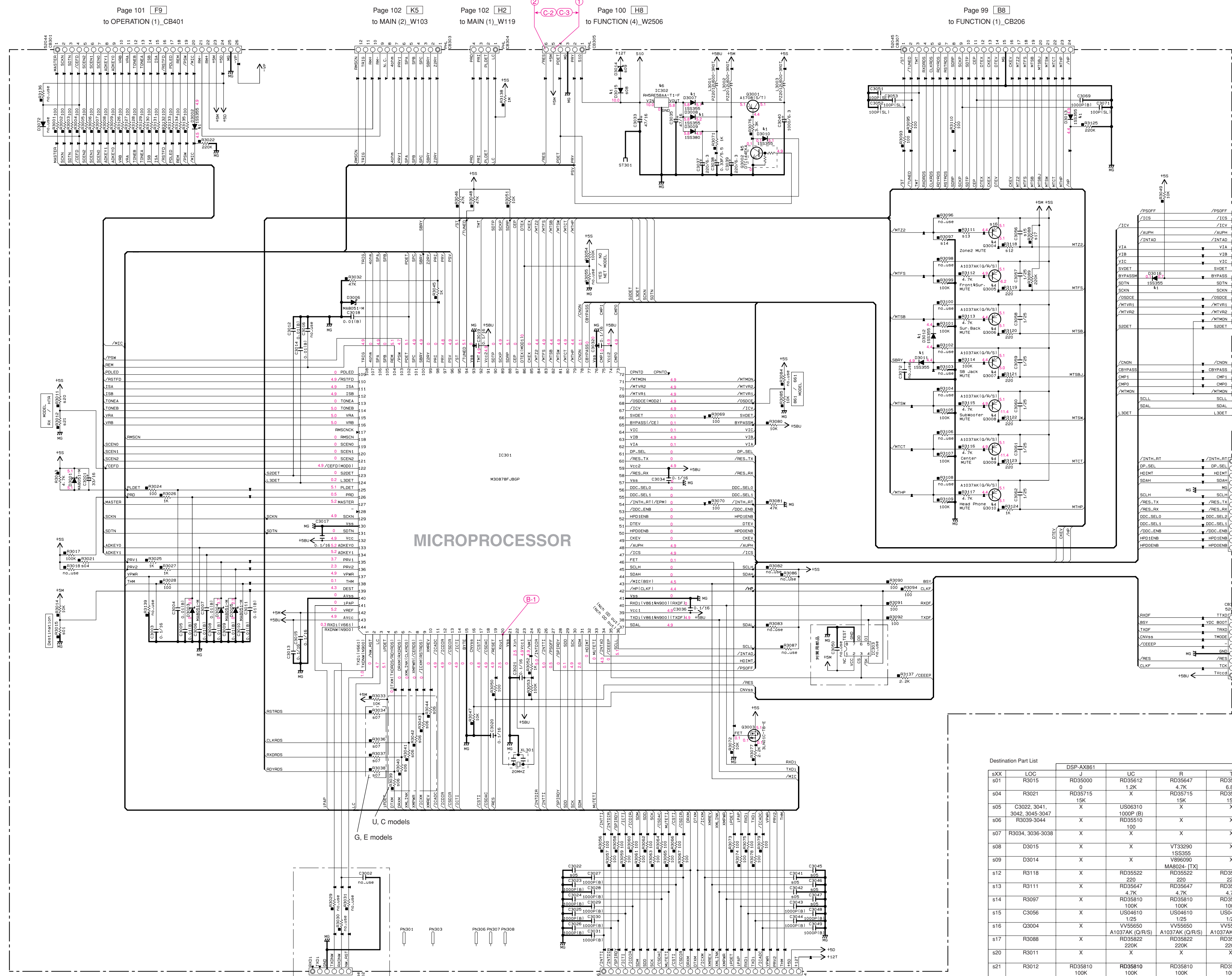
IC389: MM74HC4053JX
Triple 2-channel analog multiplexer



* All voltages are measured with a 10MΩ/V DC electronic voltmeter.
* Components having special characteristics are marked with a triangle and must be replaced with parts having specifications equal to those originally installed.
* Schematic diagram is subject to change without notice.

● 電圧は、内部抵抗10MΩの電圧計で測定したものです。
● 三角形印のある部品は、安全性確保部品を示しています。部品の交換が必要な場合、パーツリストに記載されている部品を使用してください。
● 本回路図は標準回路図です。改良のため予告なく変更することがございます。

VIDEO 3/3



CAPACITOR

REMARKS	PARTS NAME
NO MARK	ELECTROLYTIC CAPACITOR
⊙	TANTALUM CAPACITOR
NO MARK	CERAMIC CAPACITOR
⊙	CERAMIC TUBULAR CAPACITOR
○	POLYESTER FILM CAPACITOR
○	POLYETHYLENE FILM CAPACITOR
○	MICA CAPACITOR
⊙	POLYPROPYLENE FILM CAPACITOR
⊙	SEMICONDUCTIVE CERAMIC CAPACITOR
⊙	POLYPHENYLENE SULFIDE FILM CAPACITOR

RESISTOR

REMARKS	PARTS NAME
NO MARK	CARBON FILM RESISTOR (P=5)
⊙	CARBON FILM RESISTOR (P=10)
⊙	METAL OXIDE FILM RESISTOR
⊙	METAL FILM RESISTOR
⊙	METAL PLATE RESISTOR
⊙	FIRE PROOF CARBON FILM RESISTOR
⊙	CEMENT MOLDED RESISTOR
⊙	SEMI VARIABLE RESISTOR
⊙	CHIP RESISTOR

NOTICE (model)

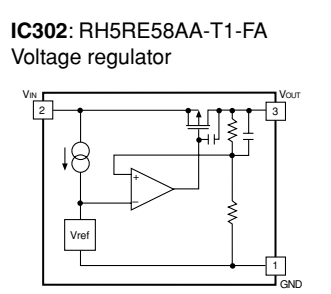
(J)..... JAPAN
 (U)..... U.S.A.
 (C)..... CANADA
 (R)..... GENERAL
 (T)..... CHINA
 (K)..... KOREA
 (A)..... AUSTRALIA
 (B)..... BRITISH
 (G)..... EUROPE
 (L)..... SINGAPORE
 (E)..... SOUTH EUROPE
 (V)..... TAIWAN

to VIDEO 1/3

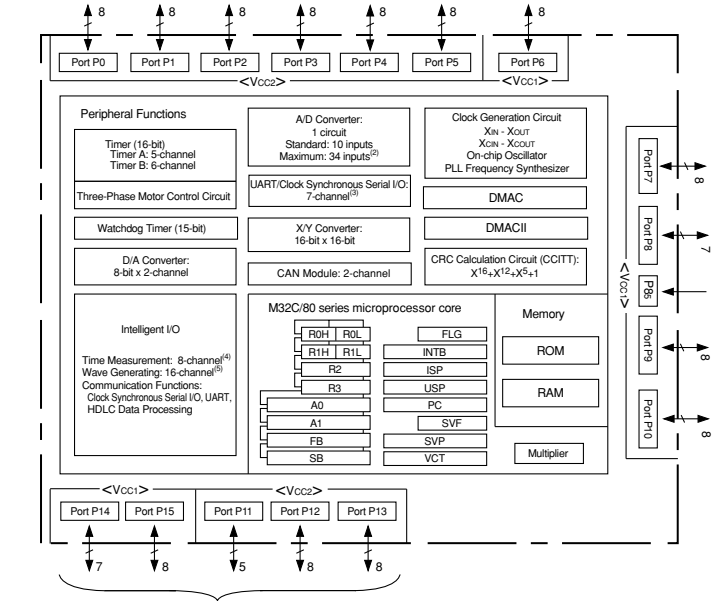
to VIDEO 2/3

to HDMI CB5

WRITING PORT



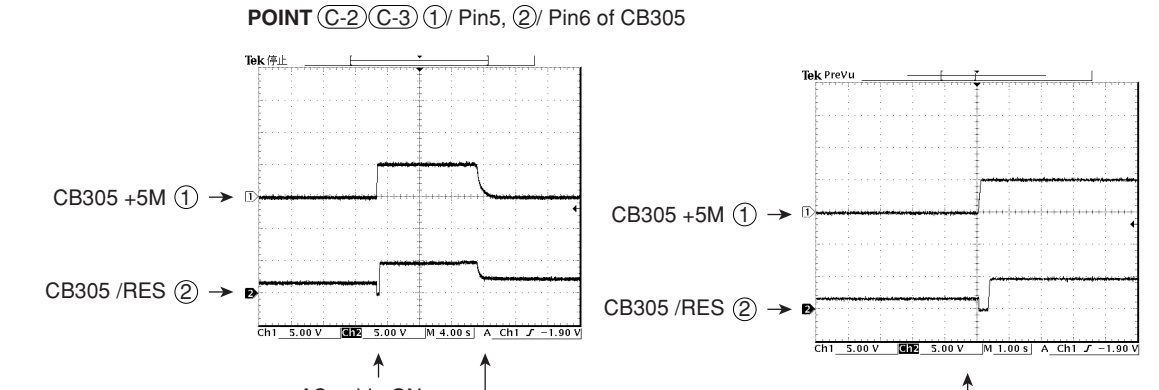
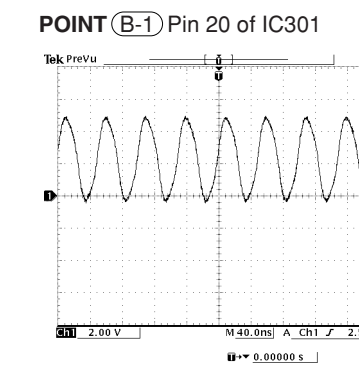
IC301: M30878JBGFP Single chip 16/32-bit microprocessor



Destination Part List

Destination	LOC	DSP-AX861	UC	R	T	RX-V61/DSP-AX861SE					HTR-6080						
sXX	R3015	RD35000	RD35612	RD35647	RD35668	RD35710	RD35715	RD35727	RD35747	RD35810	RD35812	RD35810	RD35812	RD35810	RD35812	RD35810	RD35812
s01		0	1.2K	4.7K	6.8K	10K	15K	27K	47K	100K	1.2K	1.2K	1.2K	1.2K	1.2K	1.2K	4.7K
s04	R3021	15K	X	RD35715	RD35715	15K	15K	15K	15K	15K	15K	15K	15K	15K	15K	15K	15K
s05	C3022, 3041, 3042, 3045-3047	X	US06310	X	X	X	X	X	X	X	X	X	X	X	X	X	US06310
s06	R3039-3044	X	100P (B)	X	X	X	X	X	X	X	X	X	X	X	X	X	100P (B)
s07	R3034, 3038-3038	X	X	X	X	X	X	X	X	RD35510	X	X	X	X	X	RD35510	100
s08	D3015	X	X	VT32290	X	X	X	X	X	X	X	X	X	X	X	X	X
s09	D3014	X	X	V806090	X	X	X	X	X	X	X	X	X	X	X	X	X
s12	R3118	X	RD35522	RD35522	RD35522	RD35522	RD35522	RD35522	RD35522	RD35522	X	RD35522	RD35522	X	RD35522	RD35522	220
s13	R3111	X	RD35647	RD35647	RD35647	RD35647	RD35647	RD35647	RD35647	RD35647	X	RD35647	RD35647	X	RD35647	RD35647	4.7K
s14	R3097	X	RD35810	RD35810	RD35810	RD35810	RD35810	RD35810	RD35810	RD35810	X	RD35810	RD35810	X	RD35810	RD35810	100K
s15	C3056	X	US04610	US04610	US04610	US04610	US04610	US04610	US04610	US04610	X	US04610	US04610	X	US04610	US04610	1/25
s16	Q3004	X	VV55650	VV55650	VV55650	VV55650	VV55650	VV55650	VV55650	VV55650	X	VV55650	VV55650	X	VV55650	VV55650	220K
s17	R3088	X	RD35822	RD35822	RD35822	RD35822	RD35822	RD35822	RD35822	RD35822	X	RD35822	RD35822	X	RD35822	RD35822	220K
s20	R3011	X	RD35810	RD35810	RD35810	RD35810	RD35810	RD35810	RD35810	RD35810	X	RD35810	RD35810	X	RD35810	RD35810	100K
s21	R3012	RD35810	RD35810	RD35810	RD35810	RD35810	RD35810	RD35810	RD35810	RD35810	RD35810	RD35810	RD35810	RD35810	RD35810	RD35810	100K

Page 97 (J1) to DSP_CB49

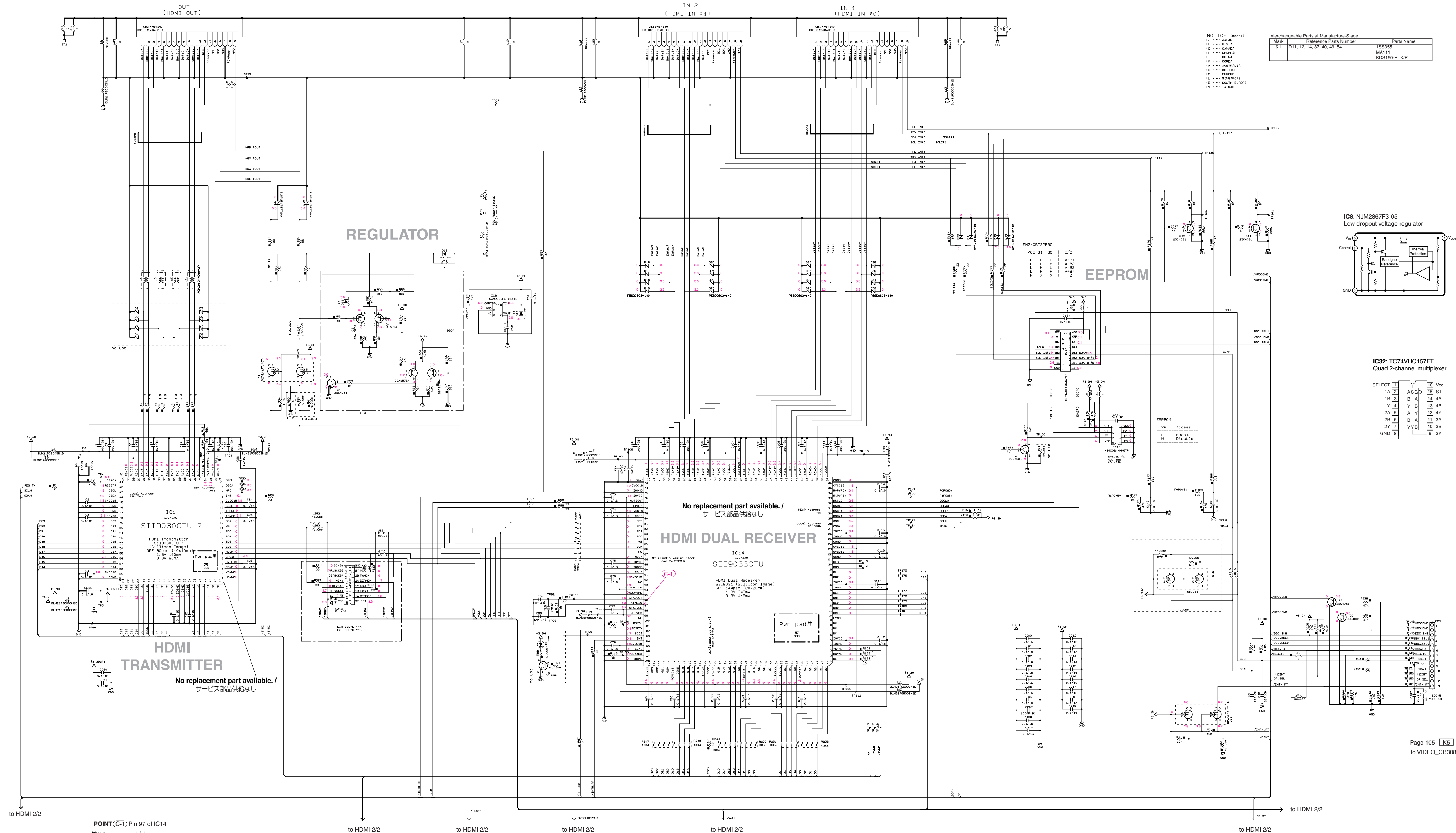


Destination detection for AD port Pull-up resistance 10k-ohms

Ohm	0.0k	1.0k	2.0k	4.7k	6.8k	10.0k	15.0k	27.0k	47.0k	100.0k
Chm	0-0.3	0.4-0.7	0.8-1.3	1.4-1.8	1.9-2.2	2.3-2.7	2.8-3.2	3.3-3.8	3.9-4.3	4.4-4.7
AD (S V-255)	0-13	14-40	41-68	69-92	93-115	116-140	141-170	171-198	199-221	222-243
DEST: 129 pin	J	U, C	G	R	T	K	A	B	G, E	L

★ All voltages are measured with a 10MΩ/V DC electronic voltmeter.
 ★ Components having special characteristics are marked with a star (★) and must be replaced with parts having specifications equal to those originally installed.
 ★ Schematic diagram is subject to change without notice.

● 電圧は、内部抵抗10MΩの電圧計で測定したものです。
 ● ★印のある部品は、安全性確保部品を示しています。部品の交換が必要な場合、パーツリストに記載されている部品を使用してください。
 ● 本回路図は標準回路図です。改良のため予告なく変更することがございます。

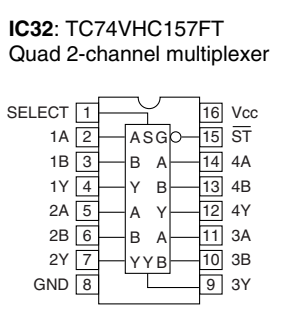
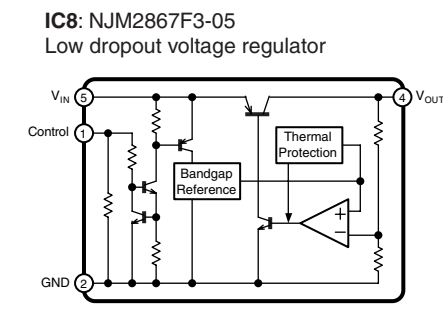


NOTICE (cont'd)

1	U.S.A.
2	JAPAN
3	CANADA
4	GENERAL
5	CHINA
6	KOREA
7	AUSTRALIA
8	BRITISH
9	EUROPE
10	SINGAPORE
11	SOUTH EUROPE
12	TAIWAN

Interchangeable Parts at Manufacture-Stage

Mark	Reference Parts Number	Parts Name
&1	D11, 12, 14, 37, 40, 49, 54	1SS355
		MA111
		KDS160-RTXP



No replacement part available. / サービス部品供給なし

HDMI DUAL RECEIVER

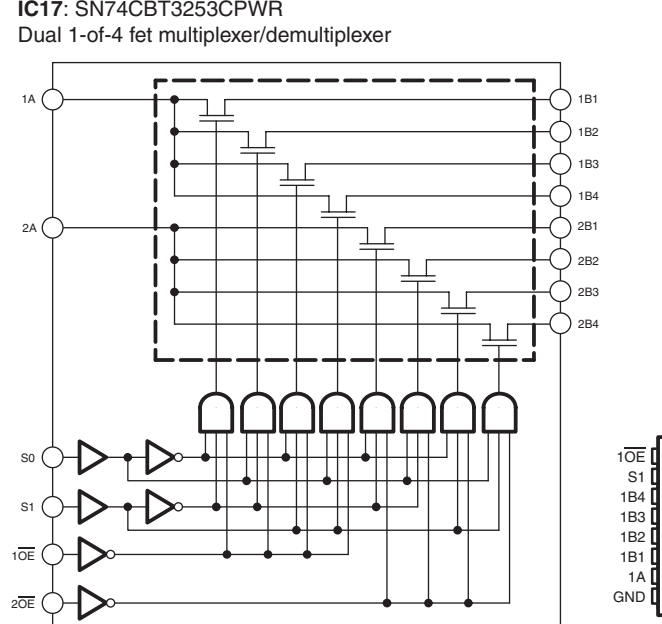
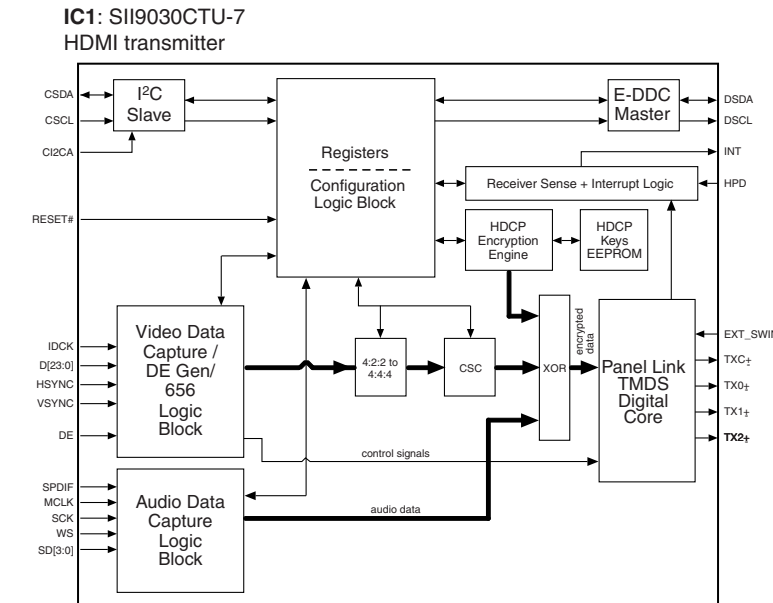
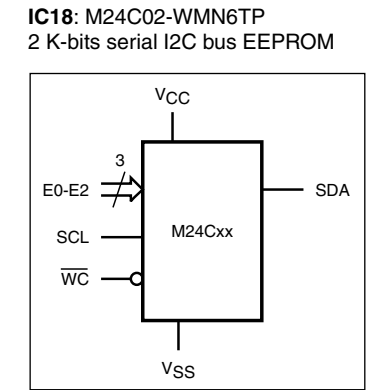
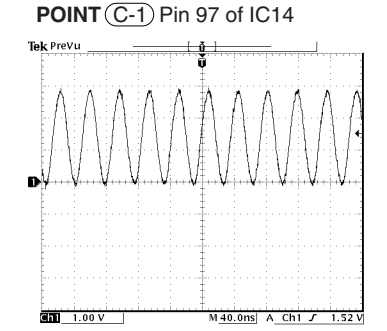
IC14
SII9033CTU

HDMI Dual Receiver
SII9033 (Silicon Image)
GFP 146pin (SO8DMM)
1.5V 348mA
3V 418mA

HDMI TRANSMITTER

IC1
SII9030CTU-7

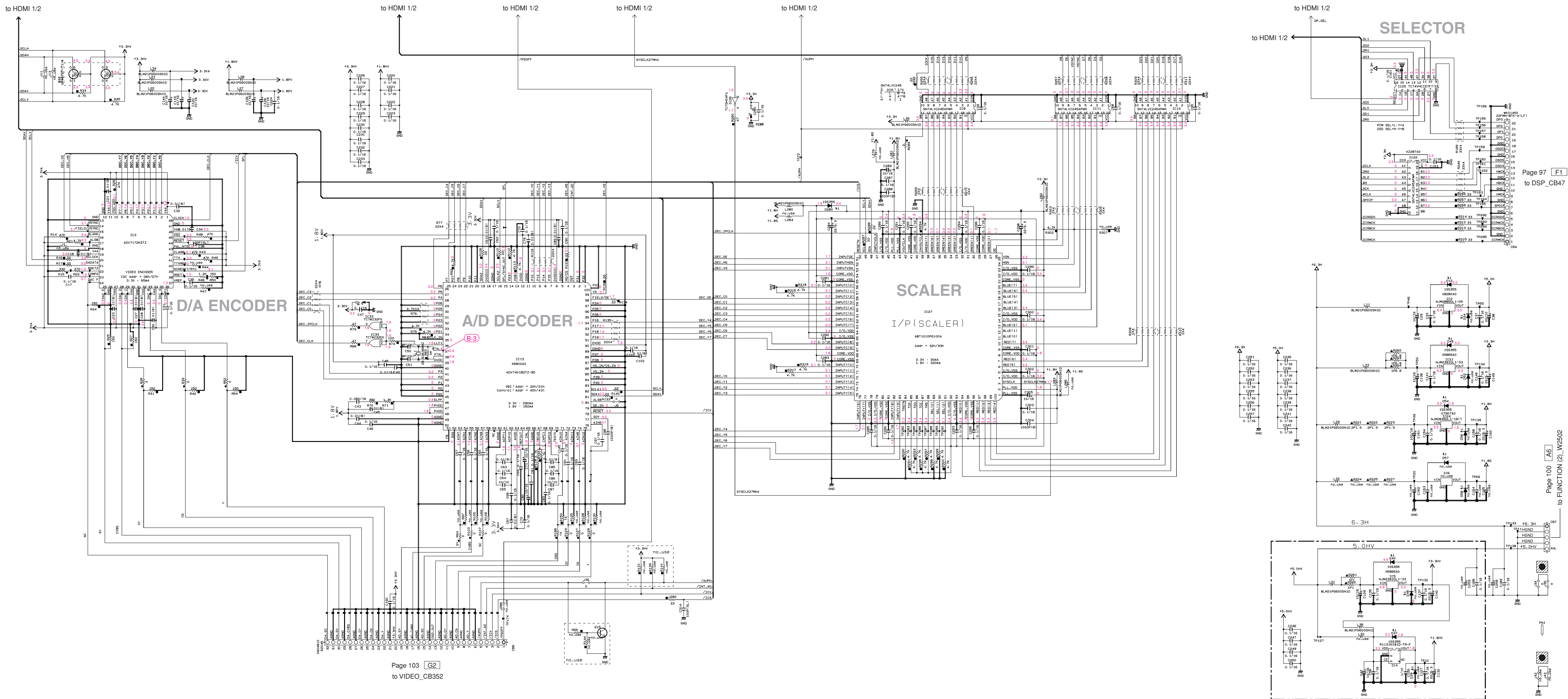
HDMI Transmitter
SII9030CTU-7
(Silicon Image)
GFP 80pin (TQFP)
3.3V 50mA



★ All voltages are measured with a 10M Ω /V DC electronic voltmeter.
 ★ Components having special characteristics are marked Δ and must be replaced with parts having specifications equal to those originally installed.
 ★ Schematic diagram is subject to change without notice.

● 電圧は、内部抵抗10M Ω の電圧計で測定したものです。
 ● Δ 印のある部品は、安全性確保部品を示しています。部品の交換が必要な場合、パーツリストに記載されている部品を使用してください。
 ● 本回路図は標準回路図です。改良のため予告なく変更することがございます。

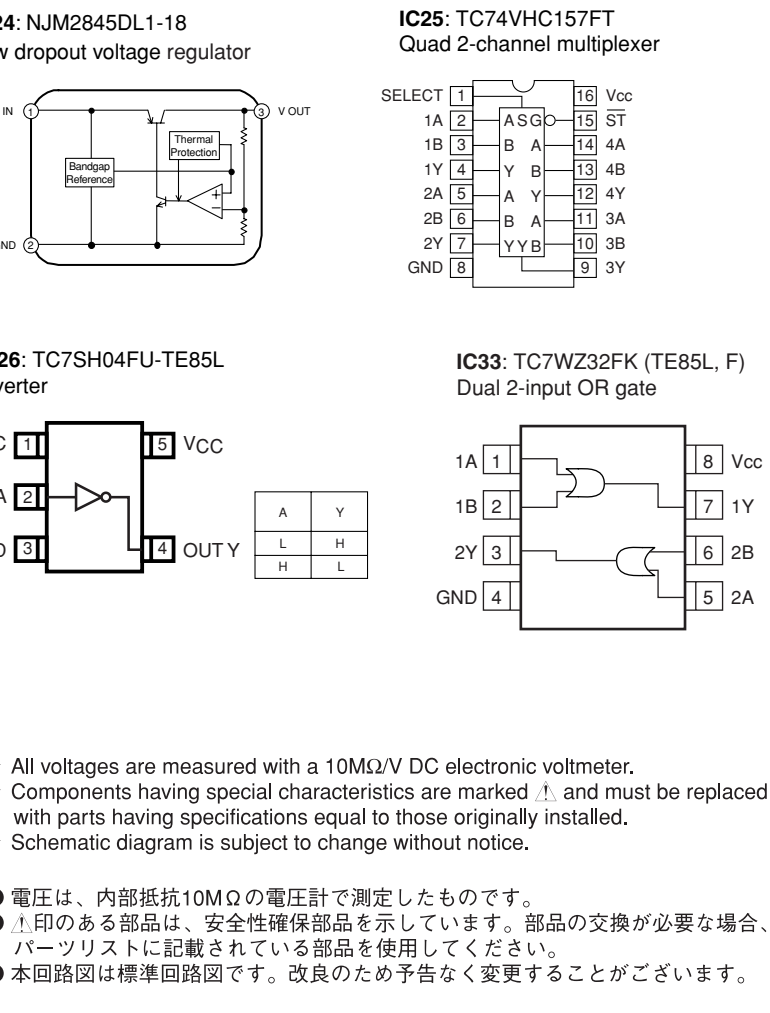
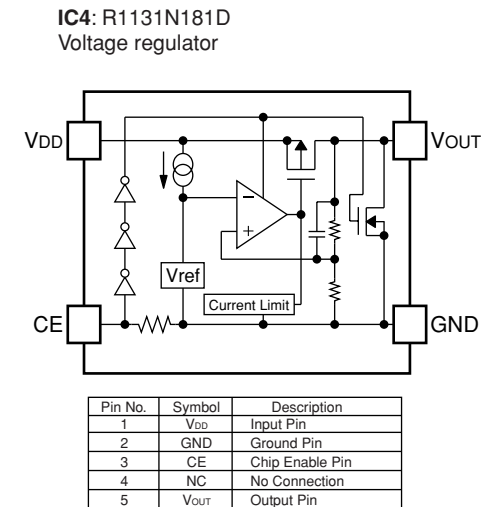
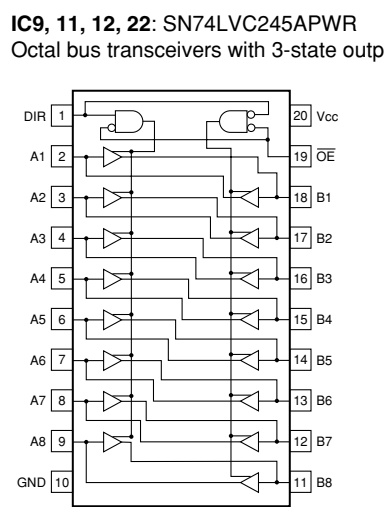
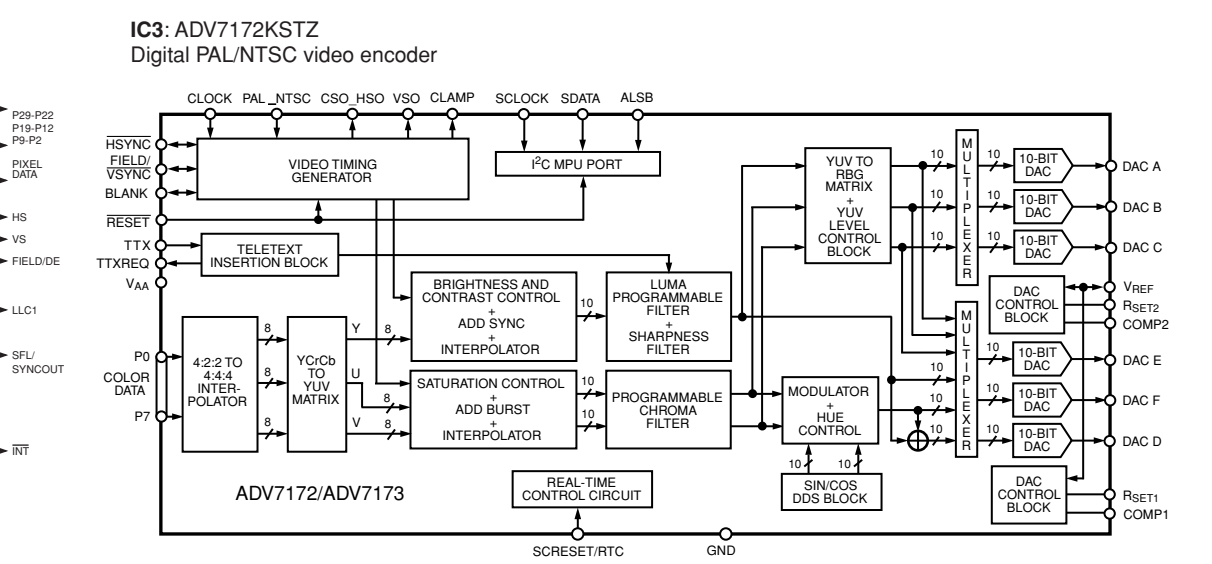
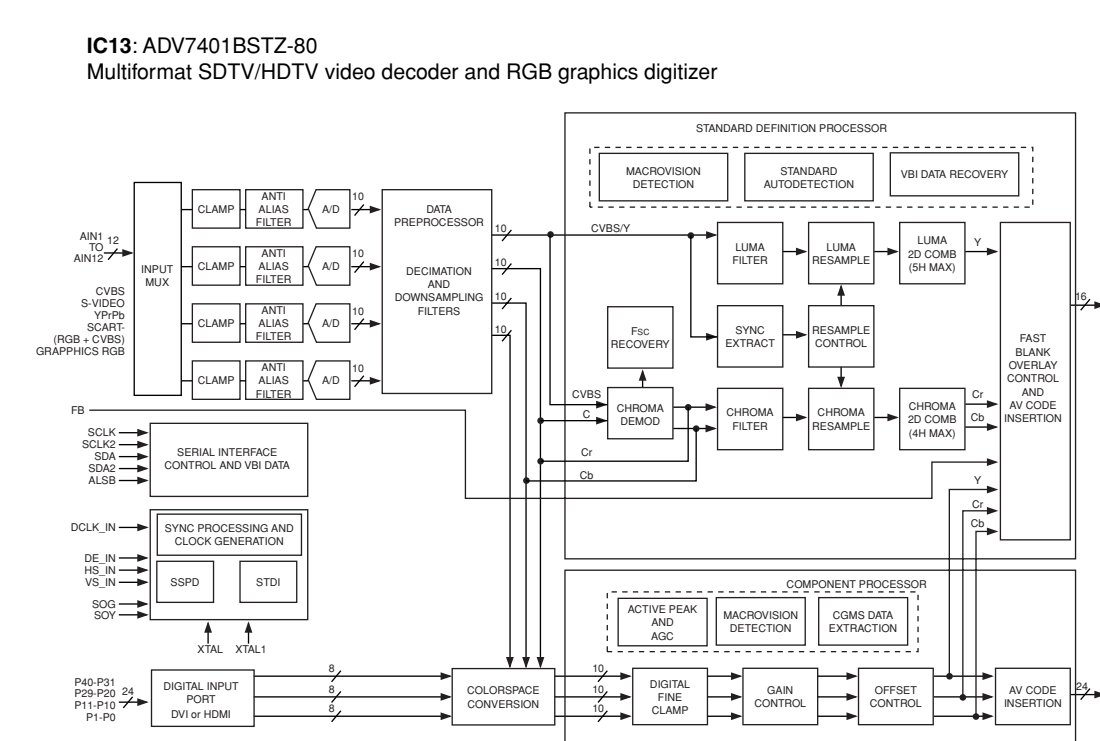
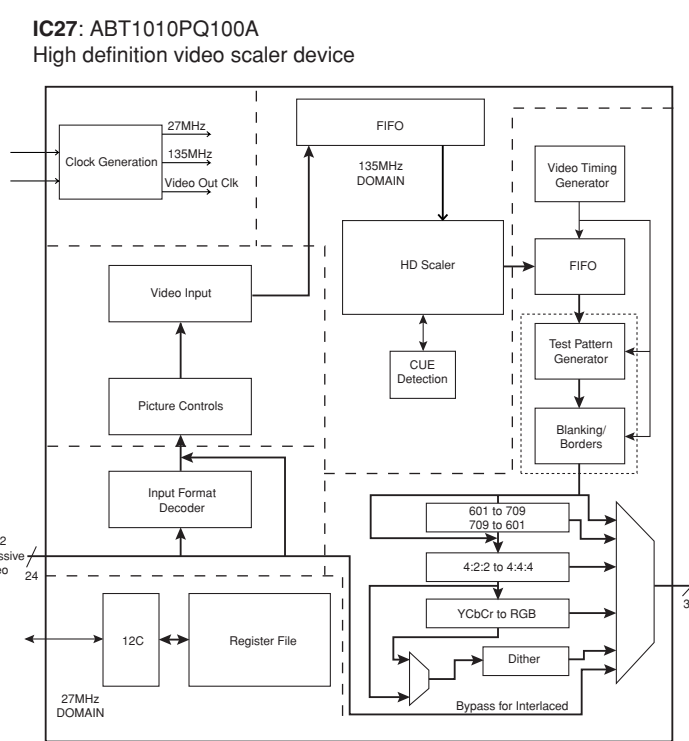
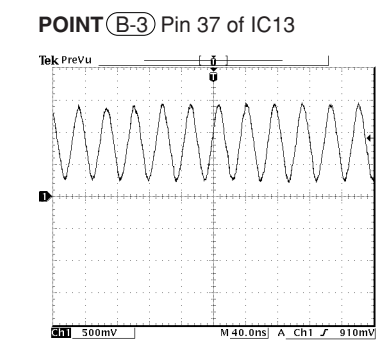
HDMI 2/2



Page 103 [G2] to VIDEO_CB352

NOTICE (page 1)

- (J) JAPAN
- (U) U.S.A
- (C) CANADA
- (G) GENERAL
- (K) KOREA
- (A) AUSTRALIA
- (B) BRITISH ISLES
- (S) SINGAPORE
- (E) SOUTH EUROPE
- (F) FRANCE



■ REPLACEMENT PARTS LIST

• ELECTRICAL COMPONENT PARTS

WARNING

- Components having special characteristics are marked \triangle and must be replaced with parts having specifications equal to those originally installed.
- The chip resistor is not supplied as a replacement part.
 - * When a chip resistor is necessary, use the following part.
AAX60720: CHIP RESISTOR SAMPLE BOOK
- \triangle 印のある部分は、安全確保部品を示しています。部品の交換が必要な場合、パーツリストに記載されている部品を使用してください。
- 部品価格ランクは、予告なく変更することがあります。
- チップ抵抗はサービス部品として供給できません。
 - ※ チップ抵抗が必要な場合は、下記の部品をご利用ください。
AAX60720: CHIP RESISTOR SAMPLE BOOK

ABBREVIATIONS IN THIS LIST ARE AS FOLLOWS:

C.A.EL.CHP	: CHIP ALUMI.ELECTROLYTIC CAP	L.EMIT	: LIGHT EMITTING MODULE
C.CE	: CERAMIC CAP	LED.DSPLY	: LED DISPLAY
C.CE.ARRAY	: CERAMIC CAP ARRAY	LED.INFRD	: LED, INFRARED
C.CE.CHP	: CHIP CERAMIC CAP	MODUL.RF	: MODULATOR, RF
C.CE.ML	: MULTILAYER CERAMIC CAP	PHOT.CPL	: PHOTO COUPLER
C.CE.M.CHP	: CHIP MULTILAYER CERAMIC CAP	PHOT.INTR	: PHOTO INTERRUPTER
C.CE.SAFTY	: RECOGNIZED CERAMIC CAP	PHOT.RFLCT	: PHOTO REFLECTOR
C.CE.TUBLR	: CERAMIC TUBULAR CAP	PIN.TEST	: PIN, TEST POINT
C.CE.SMI	: SEMI CONDUCTIVE CERAMIC CAP	PLST.RIVET	: PLASTIC RIVET
C.EL	: ELECTROLYTIC CAP	R.ARRAY	: RESISTOR ARRAY
C.MICA	: MICA CAP	R.CAR.	: CARBON RESISTOR
C.ML.FLM	: MULTILAYER FILM CAP	R.CAR.CHP	: CHIP RESISTOR
C.MP	: METALLIZED PAPER CAP	R.CAR.FP	: FLAME PROOF CARBON RESISTOR
C.MYLAR	: MYLAR FILM CAP	R.FUS	: FUSABLE RESISTOR
C.MYLAR.ML	: MULTILAYER MYLAR FILM CAP	R.MTL.CHP	: CHIP METAL FILM RESISTOR
C.PAPER	: PAPER CAPACITOR	R.MTL.FLM	: METAL FILM RESISTOR
C.PLS	: POLYSTYRENE FILM CAP	R.MTL.OXD	: METAL OXIDE FILM RESISTOR
C.POL	: POLYESTER FILM CAP	R.MTL.PLAT	: METAL PLATE RESISTOR
C.POLY	: POLYETHYLENE FILM CAP	RSNR.CE	: CERAMIC RESONATOR
C.PP	: POLYPROPYLENE FILM CAP	RSNR.CRYS	: CRYSTAL RESONATOR
C.TNTL	: TANTALUM CAP	R.TW.CEM	: TWIN CEMENT FIXED RESISTOR
C.TNTL.CHP	: CHIP TANTALUM CAP	R.CEMENT	: CEMENT RESISTOR
C.TRIM	: TRIMMER CAP	SCR.BND.HD	: BIND HEAD B-TIGHT SCREW
CN	: CONNECTOR	SCR.BW.HD	: BW HEAD TAPPING SCREW
CN.BS.PIN	: CONNECTOR, BASE PIN	SCR.CUP	: CUP TIGHT SCREW
CN.CANNON	: CONNECTOR, CANNON	SCR.TERM	: SCREW TERMINAL
CN.DIN	: CONNECTOR, DIN	SCR.TR	: SCREW, TRANSISTOR
CN.FLAT	: CONNECTOR, FLAT CABLE	SUPRT.PCB	: SUPPORT, P.C.B.
CN.POST	: CONNECTOR, BASE POST	SURG.PRTCT	: SURGE PROTECTOR
COIL.MX.AM	: COIL, AM MIX	SW.TACT	: TACT SWITCH
COIL.AT.FM	: COIL, FM ANTENNA	SW.LEAF	: LEAF SWITCH
COIL.DT.FM	: COIL, FM DETECT	SW.LEVER	: LEVER SWITCH
COIL.MX.FM	: COIL, FM MIX	SW.MICRO	: MICRO SWITCH
COIL.OUTPT	: OUTPUT COIL	SW.PUSH	: PUSH SWITCH
DIOD.ARRAY	: DIODE ARRAY	SW.RT.ENC	: ROTARY ENCODER
DIODE.BRG	: DIODE BRIDGE	SW.RT.MTR	: ROTARY SWITCH WITH MOTOR
DIODE.CHP	: CHIP DIODE	SW.RT	: ROTARY SWITCH
DIODE.VAR	: VARACTOR DIODE	SW.SLIDE	: SLIDE SWITCH
DIOD.Z.CHP	: CHIP ZENER DIODE	TERM.SP	: SPEAKER TERMINAL
DIODE.ZENR	: ZENER DIODE	TERM.WRAP	: WRAPPING TERMINAL
DSCR.CE	: CERAMIC DISCRIMINATOR	THRMST.CHP	: CHIP THERMISTOR
FER.BEAD	: FERRITE BEADS	TR.CHP	: CHIP TRANSISTOR
FER.CORE	: FERRITE CORE	TR.DGT	: DIGITAL TRANSISTOR
FET.CHP	: CHIP FET	TR.DGT.CHP	: CHIP DIGITAL TRANSISTOR
FL.DSPLY	: FLUORESCENT DISPLAY	TRANS	: TRANSFORMER
FLTR.CE	: CERAMIC FILTER	TRANS.PULS	: PULSE TRANSFORMER
FLTR.COMB	: COMB FILTER MODULE	TRANS.PWR	: POWER TRANSFORMER ASS'Y
FLTR.LC.RF	: LC FILTER, EMI	TUNER.AM	: TUNER PACK, AM
GND.MTL	: GROUND PLATE	TUNER.FM	: TUNER PACK, FM
GND.TERM	: GROUND TERMINAL	TUNER.PK	: FRONT-END TUNER PACK
HOLDER.FUS	: FUSE HOLDER	VR	: ROTARY POTENTIOMETER
IC.PRTCT	: IC PROTECTOR	VR.MTR	: POTENTIOMETER WITH MOTOR
JUMPER.CN	: JUMPER CONNECTOR	VR.SW	: POTENTIOMETER WITH ROTARY SW
JUMPER.TST	: JUMPER, TEST POINT	VR.SLIDE	: SLIDE POTENTIOMETER
L.DTCT	: LIGHT DETECTING MODULE	VR.TRIM	: TRIMMER POTENTIOMETER

P.C.B. DSP

Ref No.	Part No.	Description	Remarks	Markets	部 品 名	ランク	
*	WJ718500	P. C. B.	DSP		JRTKABGEL	P C B D S P	
*	WJ718600	P. C. B.	DSP	861	UC	P C B D S P	
*	WJ718700	P. C. B.	DSP	6080	UC	P C B D S P	
*	CB41	WJ458700 CN.XM	4P CAM-D96		UC	X Mコネクタ	
	CB43	VB858500 CN.BS.PIN	6P			ベースピン	01
	CB46	VB858200 CN.BS.PIN	3P			ベースピン	01
*	CB47	WA888300 CN	22P SE			F M Nコネクター	
	CB49	VQ045700 CN.BS.PIN	28P			F F Cコネクター	02
	CB61	VQ045400 CN.BS.PIN	25P			F F Cコネクター	03
	CB62	VC166500 CN.BS.PIN	12P			コネクタベースポスト	01
	CB63	VB858300 CN.BS.PIN	4P			コネクタベースポスト	01
	C401-402	US061220 C. CE. CHP	22pF 50V B			チップセラコン	01
	C403-406	US135100 C. CE. CHP	0.1uF 16V			チップセラコン	01
	C409-410	US135100 C. CE. CHP	0.1uF 16V			チップセラコン	01
	C413	UR067470 C. EL	47uF 50V			ケミコン	01
	C416	US061100 C. CE. CHP	10pF 50V B		UC	チップセラコン	01
	C417-418	US035100 C. CE. CHP	0.1uF 16V B		UC	チップセラコン	01
	C420	US061100 C. CE. CHP	10pF 50V B		UC	チップセラコン	01
	C421	US135100 C. CE. CHP	0.1uF 16V			チップセラコン	01
	C423	US035100 C. CE. CHP	0.1uF 16V B		UC	チップセラコン	01
	C424	US135100 C. CE. CHP	0.1uF 16V		UC	チップセラコン	01
	C426	US135100 C. CE. CHP	0.1uF 16V			チップセラコン	01
	C428	UR238100 C. EL	100uF 16V			ケミコン	
	C429-433	US062220 C. CE. CHP	220pF 50V B			チップセラコン	01
	C434-435	US135100 C. CE. CHP	0.1uF 16V			チップセラコン	01
	C436	VR168300 C. MYLAR	0.1uF 50V			マイラーコン	01
	C437	US135100 C. CE. CHP	0.1uF 16V		UC	チップセラコン	01
	C438	VR169000 C. MYLAR	0.33uF 50V			マイラーコン	01
	C439	US062220 C. CE. CHP	220pF 50V B			チップセラコン	01
	C440	UA654220 C. MYLAR	0.022uF 50V J			マイラーコン	01
	C441	US135100 C. CE. CHP	0.1uF 16V		UC	チップセラコン	01
	C442-444	US135100 C. CE. CHP	0.1uF 16V			チップセラコン	01
	C445	US062100 C. CE. CHP	100pF 50V B			チップセラコン	01
	C446	UR067470 C. EL	47uF 50V			ケミコン	01
	C447-448	US135100 C. CE. CHP	0.1uF 16V		UC	チップセラコン	01
	C449	US062100 C. CE. CHP	100pF 50V B			チップセラコン	01
	C450	UR067470 C. EL	47uF 50V			ケミコン	01
	C451-452	US135100 C. CE. CHP	0.1uF 16V			チップセラコン	01
	C453-454	US061180 C. CE. CHP	18pF 50V B			チップセラコン	01
	C455	US062100 C. CE. CHP	100pF 50V B			チップセラコン	01
	C456	UU297220 C. EL	22uF 100V			ケミコン	01
	C458	UU297220 C. EL	22uF 100V			ケミコン	01
	C459	US135100 C. CE. CHP	0.1uF 16V			チップセラコン	01
	C460	UR067100 C. EL	10uF 50V			ケミコン	01
	C461	US126100 C. CE. CHP	1uF 10V			チップセラコン	01
	C462-470	US135100 C. CE. CHP	0.1uF 16V			チップセラコン	01
	C471	UR067100 C. EL	10uF 50V			ケミコン	01
	C472-475	US135100 C. CE. CHP	0.1uF 16V			チップセラコン	01
	C476	UR267470 C. EL	47uF 50V			ケミコン	01
	C477	US135100 C. CE. CHP	0.1uF 16V			チップセラコン	01
	C478	WG251600 C. CE. CHP	4.7uF 6.3V			チップセラ	01
	C479-483	US135100 C. CE. CHP	0.1uF 16V			チップセラコン	01
	C484	WG251600 C. CE. CHP	4.7uF 6.3V			チップセラ	01
	C485	UR219100 C. EL	1000uF 6.3V			ケミコン	
	C486	US135100 C. CE. CHP	0.1uF 16V			チップセラコン	01

* New Parts * 新規部品

P.C.B. DSP

Ref No.	Part No.	Description	Remarks	Markets	部 品 名	ランク	
C487	US062680	C. CE. CHP	680pF 50V B			チップセラコン	01
C488	UR267470	C. EL	47uF 50V			ケミコン	01
C489	WG251600	C. CE. CHP	4.7uF 6.3V			チップセラ	01
C490-493	US135100	C. CE. CHP	0.1uF 16V			チップセラコン	01
C494	UR067470	C. EL	47uF 50V			ケミコン	01
C495-502	US135100	C. CE. CHP	0.1uF 16V			チップセラコン	01
C504-508	US061470	C. CE. CHP	47pF 50V B			チップセラコン	01
C509	US064100	C. CE. CHP	0.01uF 50V B			チップセラコン	01
C510-513	US061470	C. CE. CHP	47pF 50V B			チップセラコン	01
C514	US064100	C. CE. CHP	0.01uF 50V B			チップセラコン	01
C515	US061470	C. CE. CHP	47pF 50V B			チップセラコン	01
C516	US135100	C. CE. CHP	0.1uF 16V			チップセラコン	01
C517	UR067470	C. EL	47uF 50V			ケミコン	01
C518-521	US135100	C. CE. CHP	0.1uF 16V			チップセラコン	01
C522-524	US063100	C. CE. CHP	1000pF 50V B			チップセラコン	01
C525-526	US135100	C. CE. CHP	0.1uF 16V			チップセラコン	01
C527-529	US063100	C. CE. CHP	1000pF 50V B			チップセラコン	01
C530-532	US135100	C. CE. CHP	0.1uF 16V			チップセラコン	01
C533-535	US061470	C. CE. CHP	47pF 50V B			チップセラコン	01
C536-537	US064100	C. CE. CHP	0.01uF 50V B		UC	チップセラコン	01
C538	US061470	C. CE. CHP	47pF 50V B		UC	チップセラコン	01
C539-541	US061470	C. CE. CHP	47pF 50V B			チップセラコン	01
C542-543	US061470	C. CE. CHP	47pF 50V B		UC	チップセラコン	01
C544-545	US135100	C. CE. CHP	0.1uF 16V			チップセラコン	01
C548-576	US135100	C. CE. CHP	0.1uF 16V			チップセラコン	01
C580	US135100	C. CE. CHP	0.1uF 16V			チップセラコン	01
C602	US064100	C. CE. CHP	0.01uF 50V B	861	UC	チップセラコン	01
C603	US061470	C. CE. CHP	47pF 50V B	861	UC	チップセラコン	01
C604	US061470	C. CE. CHP	47pF 50V B			チップセラコン	01
C605	US061470	C. CE. CHP	47pF 50V B	861	UC	チップセラコン	01
C606	US061470	C. CE. CHP	47pF 50V B			チップセラコン	01
C607	UR867100	C. EL	10uF 50V	861	UC	ケミコン	01
C608	US135100	C. CE. CHP	0.1uF 16V	861	UC	チップセラコン	01
C609	UR218100	C. EL	100uF 6.3V	861	UC	ケミコン	01
C610	UR067100	C. EL	10uF 50V			ケミコン	01
C611-612	US135100	C. CE. CHP	0.1uF 16V			チップセラコン	01
C613-614	UR837470	C. EL	47uF 16V	861	UC	ケミコン	01
C615	US135100	C. CE. CHP	0.1uF 16V			チップセラコン	01
C616-617	US163100	C. CE. CHP	1000pF 50V	861	UC	チップセラコン	01
C618-621	US061470	C. CE. CHP	47pF 50V B			チップセラコン	01
C622-623	US163100	C. CE. CHP	1000pF 50V	861	UC	チップセラコン	01
C624-627	US061470	C. CE. CHP	47pF 50V B			チップセラコン	01
C628-629	US064100	C. CE. CHP	0.01uF 50V B			チップセラコン	01
C630-631	US135100	C. CE. CHP	0.1uF 16V			チップセラコン	01
C632	UR067100	C. EL	10uF 50V			ケミコン	01
C633	US135100	C. CE. CHP	0.1uF 16V			チップセラコン	01
C634	US126100	C. CE. CHP	1uF 10V			チップセラコン	01
C635-636	US062100	C. CE. CHP	100pF 50V B			チップセラコン	01
C639-640	US135100	C. CE. CHP	0.1uF 16V	861	UC	チップセラコン	01
C641	UR067100	C. EL	10uF 50V			ケミコン	01
C642	US135100	C. CE. CHP	0.1uF 16V			チップセラコン	01
C643	UR067100	C. EL	10uF 50V			ケミコン	01
C644-645	US126100	C. CE. CHP	1uF 10V			チップセラコン	01
C646-647	UR267470	C. EL	47uF 50V	861	UC	ケミコン	01
C648	US135100	C. CE. CHP	0.1uF 16V			チップセラコン	01

* New Parts * 新規部品

P.C.B. DSP

Ref No.	Part No.	Description	Remarks	Markets	部 品 名	ランク
C649	WK587200	C. EL	470F 25V		ケミコン	01
C650	UR348100	C. EL	100uF 25V		ケミコン	01
C651	UR067100	C. EL	10uF 50V		ケミコン	01
C652-654	US135100	C. CE. CHP	0.1uF 16V		チップセラコン	01
C655	WK041800	C. EL	10uF 16V		ケミコン	01
C656	US135100	C. CE. CHP	0.1uF 16V		チップセラコン	01
C657	UR067100	C. EL	10uF 50V		ケミコン	01
C658-659	US135100	C. CE. CHP	0.1uF 16V		チップセラコン	01
C660-665	UR267100	C. EL	10uF 50V		ケミコン	01
C666-667	UA654100	C. MYLAR	0.01uF 50V J		マイラーコン	01
C668-669	UA652470	C. MYLAR	470pF 50V J		マイラーコン	01
C670-671	US135100	C. CE. CHP	0.1uF 16V		チップセラコン	01
C672	UA654470	C. MYLAR	0.047uF 50V J		マイラーコン	01
C673-677	UA652680	C. MYLAR	680pF 50V J		マイラーコン	01
C678-679	UR067100	C. EL	10uF 50V		ケミコン	01
C680-683	UA652150	C. MYLAR	150pF 50V J		マイラーコン	01
C684	UA652100	C. MYLAR	100pF 50V J		マイラーコン	01
C685	UA653680	C. MYLAR	6800pF 50V J		マイラーコン	01
C686-689	UA652100	C. MYLAR	100pF 50V J		マイラーコン	01
C690-691	UR267100	C. EL	10uF 50V		ケミコン	01
C700-707	US135100	C. CE. CHP	0.1uF 16V		チップセラコン	01
C708-709	UR067470	C. EL	47uF 50V		ケミコン	01
C710-713	UR267470	C. EL	47uF 50V		ケミコン	01
D401-403	WE674800	DIODE	AVRL161A1R1NTB	UC	チップバリスタ	01
D406	VT332900	DIODE	1SS355		ダイオード	01
D409	VT332900	DIODE	1SS355		ダイオード	01
D411	VT332900	DIODE	1SS355		ダイオード	01
D601	VT332900	DIODE	1SS355		ダイオード	01
D603-606	VT332900	DIODE	1SS355		ダイオード	01
D607-610	WB081800	DIODE. SHOT	SB01-05Q		ショットキーダイオード	01
D611	VT332900	DIODE	1SS355	UC	ダイオード	01
D612-613	VT332900	DIODE	1SS355		ダイオード	01
IC41	X7746A00	IC	LC89057W-VF4AD-E		IC	07
IC42	X8192A00	IC	F2621E-01-TR	UC	IC	
IC43	X0199B00	IC	TC74VHC157FT(EL, K)		ロジックIC	01
IC45-46	XV894A00	IC	TC74VHC153FT MULTI		ロジックIC	03
IC47	X7195A00	IC	R1172S121D-E2-F		電源IC	04
IC48	X8194A00	IC	R1172H331D-T1-F		電源IC	03
IC49	X2590B00	IC	W9816G6CH-7 SDRAM		メモリIC 16M	06
IC50	X3693A00	IC	SN74LV245APWR TRAN		ロジックIC	
IC52	XZ509A00	IC	TC74VHC04FT INVER		ロジックIC	01
IC54-55	X3586B00	IC	TC74VHCT08AFT EL, K		ロジックIC	01
IC56	X3693A00	IC	SN74LV245APWR TRAN		ロジックIC	
IC61	X7375A00	IC	PCM1781DBQR	861	IC	04
IC62	X0199B00	IC	TC74VHC157FT(EL, K)		ロジックIC	01
IC63	XS534A00	IC	NJM78M05DL1A		電源IC	02
IC64	X7356A00	IC	PCM1780DBQR		IC	04
IC65	X7355A00	IC	PCM1680DBQR		IC	07
IC66	X7357A00	IC	PCM1803DBR		IC	04
IC67-69	X7378A00	IC	NJM4565M(TE1)		アンプIC	01
IC71	X7378A00	IC	NJM4565M(TE1)		アンプIC	01
IC72	X7378A00	IC	NJM4565M(TE1)	861	アンプIC	01
PJ41	V5715300	JACK. PIN	2P OR/OR		ピンジャック	02
Q401	VV655400	TR. DGT	DTC114EKA		デジタルトランジスタ	01
Q402	VD303700	TR	2SC3326 A, B		トランジスタ	01

* New Parts * 新規部品

P.C.B. DSP and P.C.B. FUNCTION

Ref No.	Part No.	Description	Remarks	Markets	部 品 名	ランク
Q404-405	WH445000	FET	3LN01C-TB-E		F E T	01
Q601	VV655000	TR. DGT	DTA114EKA	UC	デジタルトランジスタ	01
Q602	WC631700	FET	2SK3288	UC	F E T	
Q603	VV655500	TR. DGT	DTC124EKA	UC	デジタルトランジスタ	01
Q604	WC631700	FET	2SK3288	UC	F E T	
R413	HF353100	R. CAR	1Ω 1/2W		カーボン抵抗	
R476	HF353100	R. CAR	1Ω 1/2W		カーボン抵抗	
R509	V8070000	R. MTL. FLM	1Ω 1W		金属被膜抵抗	01
R521	V8070000	R. MTL. FLM	1Ω 1W		金属被膜抵抗	01
R608	HV753100	R. CAR. FP	1Ω 1/4W	861	不燃化カーボン抵抗	01
R609	V8070400	R. MTL. FLM	15Ω 1W		金属被膜抵抗	
R626	HV753100	R. CAR. FP	1Ω 1/4W		不燃化カーボン抵抗	01
R637-638	HV753220	R. CAR. FP	2.2Ω 1/4W		不燃化カーボン抵抗	01
U41	WE715800	CN. PHOTO. T	1P TOTX177 (F, T)		光ファイバー送信器	04
U42-44	WE715700	CN. PHOTO. R	1P TORX177 (F, T)		光ファイバー受信器	04
XL41	WH455300	RSNR. CRYST	45.1584MHz	UC	水晶振動子	
XL42	V3625700	RSNR. CRYST	24.576MHz		水晶振動子	03
	WJ716600	P. C. B.	FUNCTION	861	P C B ファンクション	
	WJ716700	P. C. B.	FUNCTION	6080	P C B ファンクション	
	WJ717500	P. C. B.	FUNCTION		P C B ファンクション	
	WJ716800	P. C. B.	FUNCTION		P C B ファンクション	
	WJ716900	P. C. B.	FUNCTION		P C B ファンクション	
	WJ717000	P. C. B.	FUNCTION		P C B ファンクション	
	WJ717100	P. C. B.	FUNCTION		P C B ファンクション	
	WJ717200	P. C. B.	FUNCTION		P C B ファンクション	
	WJ717300	P. C. B.	FUNCTION		P C B ファンクション	
	WJ717400	P. C. B.	FUNCTION		P C B ファンクション	
CB201	VB858700	CN. BS. PIN	8P		ベースピン	01
CB202	VB858400	CN. BS. PIN	5P		ベースピン	01
CB205	VP082900	CN. BS. PIN	25P		F F C コネクタ	02
CB206	VP798200	CN. BS. PIN	24P		F F C コネクタ	01
CB221	VB858400	CN. BS. PIN	5P		ベースピン	01
CB231	VB390300	CN. BS. PIN	7P		ベースピン	01
CB232	VB390600	CN. BS. PIN	10P		コネクタベースポスト	01
CB242	VM923600	CN. BS. PIN	13P		F F C コネクタ	01
CB242	VM923600	CN. BS. PIN	13P		F F C コネクタ	01
CB250	LB919070	CN. BS. PIN	7P		ベース付ポスト	01
CB251	LB919060	CN. BS. PIN	6P		ベース付ポスト	01
CB252	LB919050	CN. BS. PIN	5P		ベース付ポスト	01
CB254	V9377900	CN. BS. PIN	4P		ベース付ポスト	
CB255	V9377800	CN. BS. PIN	3P		ベース付ポスト	
CB256-257	WC050700	CLIP. FUSE	EYF-52BCY		ヒューズクリップ	01
CB258	VG879900	CN. BS. PIN	2P		ベースピン	01
CB259-260	WC050700	CLIP. FUSE	EYF-52BCY		ヒューズクリップ	01
CB261-262	WC050700	CLIP. FUSE	EYF-52BCY		ヒューズクリップ	01
CB263	VG879900	CN. BS. PIN	2P		ベースピン	01
C2001	UR267100	C. EL	10uF 50V		ケミコン	
C2002	UR218220	C. EL	220uF 6.3V		ケミコン	
C2003-2004	UR267470	C. EL	47uF 50V		ケミコン	01
C2005	UR218220	C. EL	220uF 6.3V		ケミコン	
C2006	UR267100	C. EL	10uF 50V		ケミコン	
C2007-2012	UR837100	C. EL	10uF 16V		ケミコン	01

* New Parts * 新規部品

P.C.B. FUNCTION

Ref No.	Part No.	Description	Remarks	Markets	部 品 名	ランク	
C2013	UR837100	C. EL	10uF 16V	861	UCK	ケミコン	01
C2013	UR867100	C. EL	10uF 50V		RTAGEL	ケミコン	01
C2014	UR837100	C. EL	10uF 16V	861	UCK	ケミコン	01
C2014	UR867100	C. EL	10uF 50V		RTAGEL	ケミコン	01
C2015-2016	UR238100	C. EL	100uF 16V			ケミコン	
C2017-2018	UR838100	C. EL	100uF 16V			ケミコン	01
C2019-2022	UR238100	C. EL	100uF 16V			ケミコン	
C2023-2024	UR267100	C. EL	10uF 50V		UCRTKAGEL	ケミコン	
C2025-2026	UR267470	C. EL	47uF 50V			ケミコン	01
C2027-2028	UR267100	C. EL	10uF 50V			ケミコン	
C2030	WK041800	C. EL	10uF 16V			ケミコン	01
C2031	UR267100	C. EL	10uF 50V			ケミコン	
C2032-2033	UR237100	C. EL	10uF 16V			ケミコン	
C2034	UR837100	C. EL	10uF 16V	861	UC	ケミコン	01
C2036-2037	WK041800	C. EL	10uF 16V			ケミコン	01
C2038-2039	UR237100	C. EL	10uF 16V			ケミコン	
C2040	UR837100	C. EL	10uF 16V	861	UC	ケミコン	01
C2041	UA653100	C. MYLAR	1000pF 50V J			マイラーコン	03
C2042	UA652220	C. MYLAR	220pF 50V J		KABGEL	マイラーコン	01
C2043	UA652220	C. MYLAR	220pF 50V J			マイラーコン	01
C2044	UA653910	C. MYLAR	9100pF 50V J			マイラーコン	01
C2045	UA654330	C. MYLAR	0.033uF 50V J			マイラーコン	01
C2046	UA653910	C. MYLAR	9100pF 50V J			マイラーコン	01
C2047	UA654330	C. MYLAR	0.033uF 50V J			マイラーコン	01
C2048	UA652220	C. MYLAR	220pF 50V J		KABGEL	マイラーコン	01
C2049	UA652220	C. MYLAR	220pF 50V J			マイラーコン	01
C2050	UA653100	C. MYLAR	1000pF 50V J			マイラーコン	03
C2051	US064100	C. CE. CHP	0.01uF 50V B			チップセラコン	01
C2052-2055	US062220	C. CE. CHP	220pF 50V B			チップセラコン	01
C2056-2057	US061470	C. CE. CHP	47pF 50V B			チップセラコン	01
C2058-2063	US062220	C. CE. CHP	220pF 50V B			チップセラコン	01
C2064-2065	US061470	C. CE. CHP	47pF 50V B			チップセラコン	01
C2066-2067	US062220	C. CE. CHP	220pF 50V B			チップセラコン	01
C2068-2069	US061470	C. CE. CHP	47pF 50V B			チップセラコン	01
C2071	US061470	C. CE. CHP	47pF 50V B	861	UCRT	チップセラコン	01
C2071	US062470	C. CE. CHP	470pF 50V B		KAGEL	チップセラコン	01
C2072	US061470	C. CE. CHP	47pF 50V B	861	UCRT	チップセラコン	01
C2072	US062470	C. CE. CHP	470pF 50V B		KAGEL	チップセラコン	01
C2073-2074	US062220	C. CE. CHP	220pF 50V B			チップセラコン	01
C2076-2077	US062220	C. CE. CHP	220pF 50V B			チップセラコン	01
C2079-2080	US062220	C. CE. CHP	220pF 50V B			チップセラコン	01
C2081-2082	US062470	C. CE. CHP	470pF 50V B			チップセラコン	01
C2083	US064100	C. CE. CHP	0.01uF 50V B			チップセラコン	01
C2084-2085	US062470	C. CE. CHP	470pF 50V B			チップセラコン	01
C2086	US061470	C. CE. CHP	47pF 50V B		B	チップセラコン	01
C2087	US064100	C. CE. CHP	0.01uF 50V B			チップセラコン	01
C2088-2090	US062470	C. CE. CHP	470pF 50V B			チップセラコン	01
C2091	UA654330	C. MYLAR	0.033uF 50V J			マイラーコン	01
C2092	VR169000	C. MYLAR	0.33uF 50V			マイラーコン	01
C2093	UA653820	C. MYLAR	8200pF 50V J			マイラーコン	01
C2094-2095	US135100	C. CE. CHP	0.1uF 16V			チップセラコン	01
C2096	UA653820	C. MYLAR	8200pF 50V J			マイラーコン	01
C2097	UA654330	C. MYLAR	0.033uF 50V J			マイラーコン	01
C2098	VR169000	C. MYLAR	0.33uF 50V			マイラーコン	01
C2099-2100	US135100	C. CE. CHP	0.1uF 16V			チップセラコン	01

* New Parts * 新規部品

P.C.B. FUNCTION

Ref No.	Part No.	Description	Remarks	Markets	部 品 名	ランク	
C2101	US061470	C. CE. CHP	47pF 50V B		B	チップセラコン	01
C2103	US064100	C. CE. CHP	0.01uF 50V B			チップセラコン	01
C2201-2202	UR267100	C. EL	10uF 50V			ケミコン	
C2203-2204	US135100	C. CE. CHP	0.1uF 16V			チップセラコン	01
C2205-2206	UR267100	C. EL	10uF 50V			ケミコン	
C2207-2208	US062100	C. CE. CHP	100pF 50V B			チップセラコン	01
C2209	US061470	C. CE. CHP	47pF 50V B	JUC		チップセラコン	01
C2209	US062100	C. CE. CHP	100pF 50V B	RTKABGEL		チップセラコン	01
C2210	US061470	C. CE. CHP	47pF 50V B	JUC		チップセラコン	01
C2210	US062100	C. CE. CHP	100pF 50V B	RTKABGEL		チップセラコン	01
C2211-2212	UR267100	C. EL	10uF 50V			ケミコン	
C2213	US061100	C. CE. CHP	10pF 50V B	RTKABGEL		チップセラコン	01
C2213	US061220	C. CE. CHP	22pF 50V B	JUC		チップセラコン	01
C2214	US061100	C. CE. CHP	10pF 50V B	RTKABGEL		チップセラコン	01
C2214	US061220	C. CE. CHP	22pF 50V B	JUC		チップセラコン	01
C2217-2218	UR239100	C. EL	1000uF 16V			ケミコン	
C2251-2252	UR266220	C. EL	2.2uF 50V			ケミコン	
C2253-2254	UR267100	C. EL	10uF 50V			ケミコン	
C2255	UR837100	C. EL	10uF 16V			ケミコン	01
C2256	UR267100	C. EL	10uF 50V			ケミコン	
C2257	UR837100	C. EL	10uF 16V			ケミコン	01
C2258	UR267100	C. EL	10uF 50V			ケミコン	
C2259	US062100	C. CE. CHP	100pF 50V B			チップセラコン	01
C2260-2263	UR267100	C. EL	10uF 50V			ケミコン	
C2264-2265	UR267470	C. EL	47uF 50V			ケミコン	01
C2266-2269	UR267100	C. EL	10uF 50V			ケミコン	
C2270	VR169200	C. MYLAR	0.47uF 50V			マイラーコン	01
C2301-2302	WK041800	C. EL	10uF 16V			ケミコン	01
C2303	WE100500	C. PP	100pF 630V			PPコン	
C2304	WE100900	C. PP	220pF 630V			PPコン	02
C2305	WE100500	C. PP	100pF 630V			PPコン	
C2306	WE100900	C. PP	220pF 630V			PPコン	02
C2307	V5691600	C. PP	3300pF 100V			PPコン	01
C2308	UR068100	C. EL	100uF 50V			ケミコン	01
C2309	V5691600	C. PP	3300pF 100V			PPコン	01
C2310	UR068100	C. EL	100uF 50V			ケミコン	01
C2311-2312	WE100200	C. PP	22pF 630V			PPコン	01
C2313	WK041800	C. EL	10uF 16V			ケミコン	01
C2314	WE100500	C. PP	100pF 630V			PPコン	
C2315	WE100900	C. PP	220pF 630V			PPコン	02
C2316	V5691600	C. PP	3300pF 100V			PPコン	01
C2317	UR067470	C. EL	47uF 50V			ケミコン	01
C2318	WE100200	C. PP	22pF 630V			PPコン	01
C2319-2320	UR237100	C. EL	10uF 16V			ケミコン	
C2321	UA652100	C. MYLAR	100pF 50V J			マイラーコン	01
C2322	UA652220	C. MYLAR	220pF 50V J			マイラーコン	01
C2323	UA652100	C. MYLAR	100pF 50V J			マイラーコン	01
C2324	UA652220	C. MYLAR	220pF 50V J			マイラーコン	01
C2325	UA653330	C. MYLAR	3300pF 50V J			マイラーコン	01
C2326	UR067470	C. EL	47uF 50V			ケミコン	01
C2327	UA653330	C. MYLAR	3300pF 50V J			マイラーコン	01
C2328	UR067470	C. EL	47uF 50V			ケミコン	01
C2329-2330	WG211700	C. CE	22pF 500V			セラコン	01
C2331-2332	UR237100	C. EL	10uF 16V			ケミコン	
C2333	UA652100	C. MYLAR	100pF 50V J	JUCRTL		マイラーコン	01

* New Parts * 新規部品

P.C.B. FUNCTION

Ref No.	Part No.	Description	Remarks	Markets	部 品 名	ランク	
C2333	UA652150	C. MYLAR	150pF 50V J		KABGE	マイラーコン	01
C2334	UA652220	C. MYLAR	220pF 50V J			マイラーコン	01
C2335	UA652100	C. MYLAR	100pF 50V J		JUCRTL	マイラーコン	01
C2335	UA652150	C. MYLAR	150pF 50V J		KABGE	マイラーコン	01
C2336	UA652220	C. MYLAR	220pF 50V J			マイラーコン	01
C2337	UA653330	C. MYLAR	3300pF 50V J			マイラーコン	01
C2338	UR067470	C. EL	47uF 50V			ケミコン	01
C2339	UA653330	C. MYLAR	3300pF 50V J			マイラーコン	01
C2340	UR067470	C. EL	47uF 50V			ケミコン	01
C2341-2342	WG211700	C. CE	22pF 500V			セラコン	01
C2343	WK041800	C. EL	10uF 16V			ケミコン	01
C2344	WE100900	C. PP	220pF 630V			PPコン	02
C2401	US061270	C. CE. CHP	27pF 50V B		GE	チップセラコン	01
C2402	UR237100	C. EL	10uF 16V		GE	ケミコン	
C2403	US061270	C. CE. CHP	27pF 50V B		GE	チップセラコン	01
C2404-2405	US135100	C. CE. CHP	0.1uF 16V		GE	チップセラコン	01
C2406	US062560	C. CE. CHP	560pF 50V B		GE	チップセラコン	01
C2408-2409	US062330	C. CE. CHP	330pF 50V B		GE	チップセラコン	01
C2410	US135100	C. CE. CHP	0.1uF 16V		GE	チップセラコン	01
C2411	UR237100	C. EL	10uF 16V		GE	ケミコン	
C2412-2413	UR237470	C. EL	47uF 16V		GE	ケミコン	
C2414-2415	US062100	C. CE. CHP	100pF 50V B		JUCRTKAGEL	チップセラコン	01
C2416	US063100	C. CE. CHP	1000pF 50V B		JUCRTKAGEL	チップセラコン	01
C2417	US062100	C. CE. CHP	100pF 50V B		JUCRTKAGEL	チップセラコン	01
C2418	US064100	C. CE. CHP	0.01uF 50V B		JUCRTKAGEL	チップセラコン	01
C2419	US062100	C. CE. CHP	100pF 50V B		JUCRTKAGEL	チップセラコン	01
C2421-2422	UR237470	C. EL	47uF 16V		JUCRTKAGEL	ケミコン	
C2500	VJ599000	C. CE. TUBLR	0.047uF 16V			円筒セラコン	01
C2501-2502	UR267330	C. EL	33uF 50V			ケミコン	01
C2503-2504	UR266100	C. EL	1uF 50V			ケミコン	01
C2505-2506	WK041800	C. EL	10uF 16V			ケミコン	01
C2508	UR266100	C. EL	1uF 50V			ケミコン	01
C2509	UR237470	C. EL	47uF 16V		UC	ケミコン	
C2510	UR267330	C. EL	33uF 50V			ケミコン	01
C2511	UR266100	C. EL	1uF 50V		UC	ケミコン	01
C2513	UR266100	C. EL	1uF 50V			ケミコン	01
C2515-2516	UR267100	C. EL	10uF 50V			ケミコン	
C2517	UR266100	C. EL	1uF 50V			ケミコン	01
C2518-2519	UR267100	C. EL	10uF 50V			ケミコン	
C2520	WG602000	C. EL	15000uF 16V			ケミコン	04
C2521	WG602000	C. EL	15000uF 16V		UC	ケミコン	04
C2522	UR03A150	C. EL	15000uF 16V			ケミコン	05
C2523	UR03A100	C. EL	10000uF 16V			ケミコン	
C2524	UR03A150	C. EL	15000uF 16V			ケミコン	05
C2526-2527	UR03A150	C. EL	15000uF 16V			ケミコン	05
C2528	VR324900	C. MYLAR	0.1uF 100V			マイラーコン	01
C2529	WD403100	C. MYLAR	0.1uF 100V		UC	マイラーコン	01
C2530-2532	VR324900	C. MYLAR	0.1uF 100V			マイラーコン	01
C2533	US064100	C. CE. CHP	0.01uF 50V B			チップセラコン	01
C2534-2535	UR866220	C. EL	2.2uF 50V			ケミコン	01
C2536	UA654100	C. MYLAR	0.01uF 50V J			マイラーコン	01
C2537	WJ361200	C. POL. MTL	0.047uF 400V		JUC	メタライズドポリコン	
* C2537	WJ361800	C. POL. MTL	0.022uF 630V		RTKABGEL	メタライズドポリコン	
C2538	UR866100	C. EL	1uF 50V			ケミコン	01
C2539	UA653470	C. MYLAR	4700pF 50V J			マイラーコン	01

* New Parts * 新規部品

P.C.B. FUNCTION

Ref No.	Part No.	Description	Remarks	Markets	部 品 名	ランク
	C2540	UA653100 C. MYLAR	1000pF 50V J		マイラーコン	03
	C2541	WB696300 C. POL. MTL	0.1uF 400V	JUC	メタライズドポリコン	
*	C2541	WD257600 C. PP	0.047uF 800V	RTKABGEL	PPコン	
△	C2542	V6185300 C. CE. SAFTY	0.01uF 275V		規格認定コン	01
	C2543	UU249330 C. EL	3300uF 25V	JBGE	ケミコン FW	04
	C2543	OR249330 C. EL	3300uF 25V	UCTKAL	ケミコン	01
*	C2543	WD047300 C. EL	3300uF 50V	R	ケミコン KMQ	
	C2544	WE102900 C. PP	0.01uF 100V		PPコン	
	C2545	UR267330 C. EL	33uF 50V		ケミコン	01
	C2546	UR266100 C. EL	1uF 50V		ケミコン	01
	C2547-2548	UR267330 C. EL	33uF 50V		ケミコン	01
	C2549-2550	UR266100 C. EL	1uF 50V		ケミコン	01
	C2551	UR267330 C. EL	33uF 50V		ケミコン	01
	C2552	UR837100 C. EL	10uF 16V	UC	ケミコン	01
	C2553-2556	UR268220 C. EL	220uF 50V		ケミコン	01
	C2557	UR067100 C. EL	10uF 50V		ケミコン	01
	C2558	UR058100 C. EL	100uF 35V		ケミコン	01
	D2001-2002	VU994300 DIODE. ZENR	MA8075-H 7.7V		ツェナーダイオード	01
	D2003-2004	VV659300 DIODE. ZENR	RLZ7.5B 7.5V		ツェナーダイオード	01
	D2201-2202	VV307700 DIODE	1N4002S		ダイオード	01
	D2301-2302	VT332900 DIODE	1SS355		ダイオード	01
	D2401	VU993000 DIODE. ZENR	MA8056-M 5.6V	GE	ツェナーダイオード	01
	D2402	VU995500 DIODE. ZENR	MA8100-H 10.3V	JUCRTKAGEL	ツェナーダイオード	02
	D2403-2404	VT332900 DIODE	1SS355	JUCRTKAGEL	ダイオード	01
	D2500	VU647200 DIODE. SHOT	RB441Q-40 T-77		ショットキーダイオード	01
	D2501	VU647200 DIODE. SHOT	RB441Q-40 T-77	UC	ショットキーダイオード	01
	D2502-2503	VG440500 DIODE. ZENR	MTZJ13B 13V		ツェナーダイオード	01
	D2504	WH487300 DIODE. BRG	RS203M 2A 200V		ダイオードブリッジ	
	D2505	WJ286700 DIODE. BRG	RS403M 4A 140V	UC	ダイオードブリッジ	
	D2506-2507	WJ286700 DIODE. BRG	RS403M 4A 140V		ダイオードブリッジ	
	D2508-2510	VT332900 DIODE	1SS355		ダイオード	01
	D2511	VU990500 DIODE. ZENR	MA8030-L 2.9V		ツェナーダイオード	01
	D2512	VU993800 DIODE. ZENR	MA8068-M 6.8V		ツェナーダイオード	01
	D2513	VU995400 DIODE. ZENR	MA8100-M 10V		ツェナーダイオード	
	D2514	VT332900 DIODE	1SS355		ダイオード	01
*	D2515	VU994800 DIODE. ZENR	9.1V		ツェナーダイオード	
△	D2516	WH471700 DIODE. BRG	DB105 1A 600V		ダイオードブリッジ	02
	D2517	VT332900 DIODE	1SS355		ダイオード	01
	D2518	WH471700 DIODE. BRG	DB105 1A 600V		ダイオードブリッジ	02
	D2519	VG437500 DIODE. ZENR	MTZJ5.1C 5.1V	UC	ツェナーダイオード	01
	D2520-2523	VN008700 DIODE	1SS270A		ダイオード	01
	D2524	VG443200 DIODE. ZENR	MTZJ30A 30V		ツェナーダイオード	01
	D2560	VG440800 DIODE. ZENR	MTZJ15B 15V		ツェナーダイオード	01
△	F250	KB000780 FUSE	T5A 250V	R	ヒューズ	02
△	F251	WG410800 FUSE	10A 125V	UC	ヒューズ	01
△	F251	VT942900 FUSE	T2.5A 250V	RTABGEL	ヒューズ	01
△	F252	WG410800 FUSE	10A 125V	JUCR	ヒューズ	01
△	F252	KB000780 FUSE	T5A 250V	TKABGEL	ヒューズ	02
	IC201	X3505A00 IC	NJM2068MD-TE2		アンプIC	02
	IC202	X8155A00 IC	R2A15215FP		IC	
	IC220	XS377A00 IC	BA15218F OP AMP		アンプIC	01
	IC225-227	X3505A00 IC	NJM2068MD-TE2		アンプIC	02
*	IC241	X8235A00 IC	LC72725KM	GE	IC	
	IC250	X0515A00 IC	LM61CIZ THERMAL		電源IC	03
	IC251	X6143A00 IC	NJM2388F05 5.0V		電源IC	04

* New Parts * 新規部品

P.C.B. FUNCTION

Ref No.	Part No.	Description	Remarks	Markets	部 品 名	ランク	
	IC252-253	X4928A00 IC	K1A7805AP1 5V			電源 IC	02
	IC255	X6143A00 IC	NJM2388F05 5.0V		UC	電源 IC	04
*	IC256	X8276A00 IC	NJM2396F05			電源 IC	
	IC258	X6248A00 IC	NJM2388F33			電源 IC	04
	IC259	V8100500 PHOT. CPL	TLP421 GR			フォトカプラ	01
△	IC260	iG001180 IC	TC4013BP FF			ロジック IC	05
	IC261	V8100500 PHOT. CPL	TLP421 GR			フォトカプラ	01
	IC262	X8275A00 IC	NJM2396F63			電源 IC	
*	IC263	X8274A00 IC	NJM2388F09			電源 IC	
	PJ201	V8041300 JACK. PIN	4P			ピンジャック	
	PJ202-204	V7046700 JACK. PIN	4P MSP-244V1-01NI			ピンジャック	03
	PJ205	V7046700 JACK. PIN	4P MSP-244V1-01NI		JUCRTKAGEL	ピンジャック	03
	PJ206	V7046800 JACK. PIN	6P MSP-246V1-01NI		B	ピンジャック	
	PJ207	V7190400 JACK. PIN	6P			ピンジャック	03
	PJ208	V7046800 JACK. PIN	6P MSP-246V1-01NI	861	UCRTKAGEL	ピンジャック	
	PJ208	V7046800 JACK. PIN	6P MSP-246V1-01NI	6080	G	ピンジャック	
	PJ209	V7046700 JACK. PIN	4P MSP-244V1-01NI		JB	ピンジャック	03
	PJ210	WG674900 JACK. PIN	4P			ピンジャック 4 P	02
	PN202-203	V9637500 PIN	L=70 #18			スタイルピン	
	PN204	V9637500 PIN	L=70 #18		JUCRTKAGEL	スタイルピン	
	PN205-207	V9637500 PIN	L=70 #18			スタイルピン	
	Q2001	VZ725900 TR	2SD1938F S, T	861	UCRTKAGEL	トランジスタ	01
	Q2001	VZ725900 TR	2SD1938F S, T	6080	G	トランジスタ	01
	Q2002	VZ725900 TR	2SD1938F S, T	861	UCRTKAGEL	トランジスタ	01
	Q2002	VZ725900 TR	2SD1938F S, T	6080	G	トランジスタ	01
	Q2003	VZ725900 TR	2SD1938F S, T	861	UCRTKAGEL	トランジスタ	01
	Q2003	VZ725900 TR	2SD1938F S, T	6080	G	トランジスタ	01
	Q2004	VZ725900 TR	2SD1938F S, T	861	UCRTKAGEL	トランジスタ	01
	Q2004	VZ725900 TR	2SD1938F S, T	6080	G	トランジスタ	01
	Q2005	iC181510 TR	2SC1815 Y			トランジスタ	01
	Q2006	iA101510 TR	2SA1015 Y			トランジスタ	01
	Q2007-2010	VZ725900 TR	2SD1938F S, T			トランジスタ	01
	Q2201-2202	VD303700 TR	2SC3326 A, B			トランジスタ	01
	Q2251-2262	VZ725900 TR	2SD1938F S, T			トランジスタ	01
	Q2301-2304	VP883100 TR	2SC1890A D, E			トランジスタ	01
	Q2305-2306	V3966800 TR	2SA949 O, Y			トランジスタ	02
	Q2307-2308	VP883100 TR	2SC1890A D, E			トランジスタ	01
	Q2309	V3966800 TR	2SA949 O, Y			トランジスタ	02
	Q2310-2313	VP883100 TR	2SC1890A D, E			トランジスタ	01
	Q2314-2315	V3966800 TR	2SA949 O, Y			トランジスタ	02
	Q2316-2319	VP883100 TR	2SC1890A D, E			トランジスタ	01
	Q2320-2321	V3966800 TR	2SA949 O, Y			トランジスタ	02
	Q2401	iC174020 TR	2SC1740S QRS		GE	トランジスタ	01
	Q2402	iC181510 TR	2SC1815 Y		GE	トランジスタ	01
	Q2403	iC181510 TR	2SC1815 Y		JUCRTKAGEL	トランジスタ	01
	Q2500	iC181510 TR	2SC1815 Y			トランジスタ	01
	Q2501	iA101510 TR	2SA1015 Y			トランジスタ	01
	Q2502	WG538600 TR	KTA1046-Y-U/P			トランジスタ	
	Q2503	WF691400 TR	2SD2014			トランジスタ	03
	Q2504	WF691300 TR	2SB1257			トランジスタ	03
	Q2505-2506	iE102620 FET	2SK246 Y			F E T	01
	Q2507	VV655700 TR. DGT	DTC144EKA			デジタルトランジスタ	01
	Q2508-2509	iC181510 TR	2SC1815 Y			トランジスタ	01
△	Q2510	WC741200 FET	2SK3850			F E T	
	Q2511-2512	iA101510 TR	2SA1015 Y			トランジスタ	01

* New Parts * 新規部品

P.C.B. FUNCTION

Ref No.	Part No.	Description	Remarks	Markets	部 品 名	ランク
R2001	HF355470	R. CAR	470Ω 1/2W		カーボン抵抗	
R2019	HF355470	R. CAR	470Ω 1/2W		カーボン抵抗	
R2098-2099	HL004470	R. MTL. OXD	47Ω 1/2W		酸化金属被膜抵抗	01
R2207-2208	HF355100	R. CAR	100Ω 1/2W		カーボン抵抗	
R2217-2218	HF355100	R. CAR	100Ω 1/2W		カーボン抵抗	
R2289-2290	HF355100	R. CAR	100Ω 1/2W		カーボン抵抗	
R2301	HF353220	R. CAR	2.2Ω 1/2W		カーボン抵抗	
R2303-2304	HF356100	R. CAR	1KΩ 1/2W		カーボン抵抗	
R2307	HF356180	R. CAR	1.8KΩ 1/2W		カーボン抵抗	
R2309	HF356180	R. CAR	1.8KΩ 1/2W		カーボン抵抗	
R2313	HF355330	R. CAR	330Ω 1/2W		カーボン抵抗	
R2314	HF356120	R. CAR	1.2KΩ 1/2W		カーボン抵抗	
R2315	HF355330	R. CAR	330Ω 1/2W		カーボン抵抗	
R2316	HF356120	R. CAR	1.2KΩ 1/2W		カーボン抵抗	
R2317-2318	WK781400	R. CAR	33KΩ 1/2W		カーボン抵抗	
R2319-2320	HV755100	R. CAR. FP	100Ω 1/4W		不燃化カーボン抵抗	01
R2324	HF356100	R. CAR	1KΩ 1/2W		カーボン抵抗	
R2326	HF356180	R. CAR	1.8KΩ 1/2W		カーボン抵抗	
R2329	HF355330	R. CAR	330Ω 1/2W		カーボン抵抗	
R2330	HF356120	R. CAR	1.2KΩ 1/2W		カーボン抵抗	
R2331	WK781400	R. CAR	33KΩ 1/2W		カーボン抵抗	
R2332	HV755100	R. CAR. FP	100Ω 1/4W		不燃化カーボン抵抗	01
R2336-2337	HF356100	R. CAR	1KΩ 1/2W		カーボン抵抗	
R2346	HF355330	R. CAR	330Ω 1/2W		カーボン抵抗	
R2347	HF356120	R. CAR	1.2KΩ 1/2W		カーボン抵抗	
R2348	HF355330	R. CAR	330Ω 1/2W		カーボン抵抗	
R2349	HF356120	R. CAR	1.2KΩ 1/2W		カーボン抵抗	
R2350-2351	WK781400	R. CAR	33KΩ 1/2W		カーボン抵抗	
R2352-2353	HV755100	R. CAR. FP	100Ω 1/4W		不燃化カーボン抵抗	01
R2358-2359	HF356100	R. CAR	1KΩ 1/2W		カーボン抵抗	
R2368	HF355330	R. CAR	330Ω 1/2W		カーボン抵抗	
R2369	HF356120	R. CAR	1.2KΩ 1/2W		カーボン抵抗	
R2370	HF355330	R. CAR	330Ω 1/2W		カーボン抵抗	
R2371	HF356120	R. CAR	1.2KΩ 1/2W		カーボン抵抗	
R2372-2373	WK781400	R. CAR	33KΩ 1/2W		カーボン抵抗	
R2374-2375	HV755100	R. CAR. FP	100Ω 1/4W		不燃化カーボン抵抗	01
R2517-2518	HV755100	R. CAR. FP	100Ω 1/4W		不燃化カーボン抵抗	01
R2521-2522	HV753470	R. CAR. FP	4.7Ω 1/4W		不燃化カーボン抵抗	01
R2533	V6730000	R. CAR.	2.2MΩ 1/2W	UC	放電抵抗	01
R2535	HF356220	R. CAR	2.2KΩ 1/2W		カーボン抵抗	
* △ R2548	WJ787400	R. MTL. FLM	0.15Ω 1W		金属被膜抵抗	
△ R2549	HL002220	R. MTL. OXD	0.22Ω 1/2W		酸化金属被膜抵抗	01
△ R2550	HL002220	R. MTL. OXD	0.22Ω 1/2W	UC	酸化金属被膜抵抗	01
R2551	HV753100	R. CAR. FP	1Ω 1/4W		不燃化カーボン抵抗	01
R2553	HV756100	R. CAR. FP	1KΩ 1/4W		不燃化カーボン抵抗	01
R2554	HV753470	R. CAR. FP	4.7Ω 1/4W		不燃化カーボン抵抗	01
△ RY251	V6434900	RELAY	DC DLS12D1-0(M)	R	リレー 12V TV-8	03
△ RY251	WJ446600	RELAY	DC ALKT321 M01	JUCTKABGEL	電源リレー TV-8	
ST250-251	V4040500	SCR. TERM	M3		スクリュウ/ターミナル	01
* △ SW250	WB493700	VOLT. SELCT	R8140246	R	電圧切替器	
* △ SW250	WD073700	VOLT. SELCT	R8140254	L	電圧切替器	
△ T2500	XW605A00	TRANS. PWR		J	電源トランス	04
△ T2500	XW606A00	TRANS. PWR		UC	電源トランス	04
* △ T2500	X6351A00	TRANS. PWR		R	電源トランス	
* △ T2500	XW608A00	TRANS. PWR		TKABGEL	電源トランス	

* New Parts * 新規部品

RX-V861/HTR-6080/DSP-AX861SE/
DSP-AX861

P.C.B. FUNCTION and P.C.B. OPERATION

Ref No.	Part No.	Description	Remarks	Markets	部 品 名	ランク		
△ △ △ △ △	TE250	VU543100	OUTLET. AC	2P		JUC	ACアウトレット	03
	TE250	V5867400	OUTLET. AC	2P		RT	ACアウトレット	
	TE250	VT915000	OUTLET. AC	1P		A	ACアウトレット	06
	TE250	VU543300	OUTLET. AC	1P		B	ACアウトレット	05
	TE250	VU543400	OUTLET. AC	2P		GEL	ACアウトレット	05
*	XL241	WJ588000	RSNR. CRYST	4.332MHz		GE	水晶振動子	
*		WJ721300	P. C. B.	OPERATION		J	P C B オペレーション	
*		WJ721400	P. C. B.	OPERATION	861	UC	P C B オペレーション	
*		WJ721300	P. C. B.	OPERATION	6080	UC	P C B オペレーション	
*		WJ721500	P. C. B.	OPERATION		RTKAGEL	P C B オペレーション	
*		WJ721600	P. C. B.	OPERATION		B	P C B オペレーション	
	CB401	VQ045500	CN. BS. PIN	26P			F F Cコネクタ	02
	CB431	VB858300	CN. BS. PIN	4P			コネクタベースポスト	01
	CB451	VB858200	CN. BS. PIN	3P	861	UCRTKAGEL	ベースピン	01
	CB451	VB858200	CN. BS. PIN	3P	6080	G	ベースピン	01
	CB452	LB919020	CN. BS. PIN	2P			ベース付ポスト	01
	C4001-4002	US065100	C. CE. CHP	0.1uF 50V B			チップセラコン	
	C4003	US063100	C. CE. CHP	1000pF 50V B	861	UCRTKAGEL	チップセラコン	01
	C4003	US063100	C. CE. CHP	1000pF 50V B	6080	G	チップセラコン	01
	C4004	US063100	C. CE. CHP	1000pF 50V B	861	UCRTKAGEL	チップセラコン	01
	C4004	US063100	C. CE. CHP	1000pF 50V B	6080	G	チップセラコン	01
	C4005-4006	US135100	C. CE. CHP	0.1uF 16V			チップセラコン	01
	C4007	UR068100	C. EL	100uF 50V			ケミコン	01
	C4008	UR218330	C. EL	330uF 6.3V			ケミコン	
	C4009	US135100	C. CE. CHP	0.1uF 16V			チップセラコン	01
	C4010-4012	US062100	C. CE. CHP	100pF 50V B			チップセラコン	01
	C4013	US135100	C. CE. CHP	0.1uF 16V			チップセラコン	01
	C4014	US065100	C. CE. CHP	0.1uF 50V B			チップセラコン	
	C4016	US065100	C. CE. CHP	0.1uF 50V B			チップセラコン	
	C4017	US064100	C. CE. CHP	0.01uF 50V B			チップセラコン	01
	C4018	US065100	C. CE. CHP	0.1uF 50V B			チップセラコン	
	C4019	US135100	C. CE. CHP	0.1uF 16V			チップセラコン	01
	C4020-4023	US063100	C. CE. CHP	1000pF 50V B			チップセラコン	01
	C4024	UR267100	C. EL	10uF 50V			ケミコン	
	C4025	US135100	C. CE. CHP	0.1uF 16V			チップセラコン	01
	C4026-4027	US063100	C. CE. CHP	1000pF 50V B			チップセラコン	01
	C4028-4029	UR267220	C. EL	22uF 50V			ケミコン	01
	C4030	UR867100	C. EL	10uF 50V			ケミコン	01
	C4031	UR867220	C. EL	22uF 50V			ケミコン	01
	C4032	US061330	C. CE. CHP	33pF 50V B			チップセラコン	01
	C4033	UR257470	C. EL	47uF 35V			ケミコン	01
	C4034	US062100	C. CE. CHP	100pF 50V B			チップセラコン	01
	C4035	UR867100	C. EL	10uF 50V			ケミコン	01
	C4036	US064100	C. CE. CHP	0.01uF 50V B			チップセラコン	01
	C4037	US063100	C. CE. CHP	1000pF 50V B			チップセラコン	01
	C4038	US064100	C. CE. CHP	0.01uF 50V B			チップセラコン	01
	C4301	US063100	C. CE. CHP	1000pF 50V B			チップセラコン	01
	C4302	UA653100	C. MYLAR	1000pF 50V J		JUC	マイラーコン	03
	C4302	UA653330	C. MYLAR	3300pF 50V J		RTKAGEL	マイラーコン	01
	C4303	US064100	C. CE. CHP	0.01uF 50V B			チップセラコン	01
	C4304	UA653100	C. MYLAR	1000pF 50V J		JUC	マイラーコン	03
	C4304	UA653330	C. MYLAR	3300pF 50V J		RTKAGEL	マイラーコン	01

* New Parts * 新規部品

P.C.B. OPERATION

Ref No.	Part No.	Description	Remarks	Markets	部 品 名	ランク
C4401	US135100	C. CE. CHP	0.1uF 16V		チップセラコン	01
C4402-4403	US062220	C. CE. CHP	220pF 50V B		チップセラコン	01
C4404-4405	US135100	C. CE. CHP	0.1uF 16V		チップセラコン	01
C4406	UR067100	C. EL	10uF 50V		ケミコン	01
C4407	US064100	C. CE. CHP	0.01uF 50V B		チップセラコン	01
C4408	US135100	C. CE. CHP	0.1uF 16V		チップセラコン	01
C4409	US135100	C. CE. CHP	0.1uF 16V		チップセラコン	01
C4410	US135100	C. CE. CHP	0.1uF 16V		チップセラコン	01
D4001-4004	WJ249600	LED	ORANGE		L E D	
D4005	WG760400	LED	SELK6E10C BLUE		L E D	04
D4006	VT332900	DIODE	1SS355	861	UCRTKAGEL	ダイオード
D4006	VT332900	DIODE	1SS355	6080	G	ダイオード
D4007	VT332900	DIODE	1SS355			ダイオード
D4008	VT332900	DIODE	1SS355	861	UCRTKAGEL	ダイオード
D4008	VT332900	DIODE	1SS355	6080	G	ダイオード
D4009-4012	VT332900	DIODE	1SS355			ダイオード
D4013-4014	VU171500	DIODE. ZENR	UDZ 3.6BTE-17 3.6V			ツェナーダイオード
D4015	V2598200	LED	SIR-505ST	861	UCRTKAGEL	L E D
D4015	V2598200	LED	SIR-505ST	6080	G	L E D
D4016-4017	VT332900	DIODE	1SS355			ダイオード
D4018	VU171900	DIODE. ZENR	UDZ5.1B 5.1V			ツェナーダイオード
D4301	VU995000	DIODE. ZENR	MA8091-M 9.1V			ツェナーダイオード
D4302-4303	VT332900	DIODE	1SS355			ダイオード
D4401-4404	VT332900	DIODE	1SS355			ダイオード
IC401	X6386A00	IC	M66003-0131FP			I C
IC402	X7378A00	IC	NJM4565M(Te1)			アンプ I C
IC441	XW814A00	IC	TC7SET32FU			ロジック I C
JK401	WC814400	JACK. MNI	JY-3554-01-130			ミニジャック
JK431	V9408200	JACK. PHONE	MSJ-064-05B GR			ホーンジャック
JK441	V2589500	CN. DIN	1P			ミニ D I N コネクタ
PJ441	V7190100	JACK. PIN	3P			ピンジャック
PN431	V9637500	PIN	L=70 #18			スタイルピン
PN441	V9637500	PIN	L=70 #18			スタイルピン
Q4001	WC434800	TR. DGT	KRA102S-RTK/P			デジタルトランジスタ
Q4002	WC529500	TR	KTA1504S Y GR RTK			トランジスタ
Q4003	WC529400	TR	KTC3875S Y GR RTK			トランジスタ
Q4004	WC434800	TR. DGT	KRA102S-RTK/P			デジタルトランジスタ
Q4005	WC435000	TR. DGT	KRC102S-RTK			デジタルトランジスタ
Q4006	WC529500	TR	KTA1504S Y GR RTK			トランジスタ
Q4007	WC529400	TR	KTC3875S Y GR RTK			トランジスタ
Q4008	WC435000	TR. DGT	KRC102S-RTK			デジタルトランジスタ
Q4009-4011	WC529400	TR	KTC3875S Y GR RTK			トランジスタ
Q4012	WC435000	TR. DGT	KRC102S-RTK			デジタルトランジスタ
Q4013	WC435000	TR. DGT	KRC102S-RTK	861	UCRTKAGEL	デジタルトランジスタ
Q4013	WC435000	TR. DGT	KRC102S-RTK	6080	G	デジタルトランジスタ
Q4014	WC435000	TR. DGT	KRC102S-RTK		JUCRTKAGEL	デジタルトランジスタ
Q4015-4018	WC435000	TR. DGT	KRC102S-RTK			デジタルトランジスタ
Q4019-4020	WC529400	TR	KTC3875S Y GR RTK			トランジスタ
Q4021	VD303700	TR	2SC3326 A, B			トランジスタ
ST431	V4040500	SCR. TERM	M3			スクリュー/ターミナル
ST441	WA246200	SCR. TERM	3.5			スクリューターミナル
SW401-405	WD483100	SW. TACT	SKRGAAD010		JUCRTKAGEL	タクト SW
SW406-408	WD483100	SW. TACT	SKRGAAD010		JUCRTKAGEL	タクト SW
SW409	WD483100	SW. TACT	SKRGAAD010		JUCRTKAGEL	タクト SW
SW410-411	V9266400	SW. RT. ENC	XREB12105PVB25F			ロータリーエンコーダ

* New Parts * 新規部品

P.C.B. OPERATION and P.C.B. MAIN

Ref No.	Part No.	Description	Remarks	Markets	部 品 名	ラング
SW412	WD483100	SW. TACT			タクト SW	01
SW413-416	WD483100	SW. TACT		JUCRTKAGEL	タクト SW	01
SW417	V9597100	SW. RT. ENC			ロータリーエンコーダ	04
SW418-419	WD483100	SW. TACT		JUCRTKAGEL	タクト SW	01
SW420	WD483100	SW. TACT			タクト SW	01
SW421	WD483100	SW. TACT		JUCRTKAGEL	タクト SW	01
SW422	WD483100	SW. TACT		B	タクト SW	01
SW426	WD483100	SW. TACT			タクト SW	01
SW451	WF875900	SW. PUSH	861	UCRTKAGEL	プッシュ SW	05
SW451	WF875900	SW. PUSH	6080	G	プッシュ SW	05
U401	V8210200	L. DTCT			リモコン受光ユニット	03
U4401	WH169900	CN. PHOTO. R			光ファイバー受信器	04
V401	WJ264400	FL. DSPLY			蛍光表示管	
	V6880300	SHEET			シート/FL	
	V6007100	SPACER. FL	4.6/10/32		スパーサ FL	
	WJ715900	P. C. B.	MAIN	J	P C B メイン	
	WJ716000	P. C. B.	MAIN	861 UCRTA	P C B メイン	
	WJ716300	P. C. B.	MAIN	6080 UC	P C B メイン	
	WJ716100	P. C. B.	MAIN	KGEL	P C B メイン	
	WJ716200	P. C. B.	MAIN	B	P C B メイン	
CB100	LB932060	CN. BS. PIN	6P		ベースポスト	01
CB101	LB918030	CN. BS. PIN	3P		ベース付ポスト	01
C1007-1008	UR267330	C. EL	33uF 50V		ケミコン	01
C1040-1041	UR297100	C. EL	10uF 100V		ケミコン	
C1042	UA652330	C. PP	330pF 50V		PPコン	01
C1043	UR397100	C. EL	10uF 100V		ケミコン	03
C1045	WE101100	C. PP	330pF 100V		PPコン	01
C1046	UR397100	C. EL	10uF 100V		ケミコン	03
C1048	UA652330	C. PP	330pF 50V		PPコン	01
C1049	UR397100	C. EL	10uF 100V		ケミコン	03
C1051	WE101100	C. PP	330pF 100V		PPコン	01
C1052	UR397100	C. EL	10uF 100V		ケミコン	03
C1053	UA652330	C. PP	330pF 50V		PPコン	01
C1054	UA652330	C. PP	330pF 50V		PPコン	01
C1055-1056	UR397100	C. EL	10uF 100V		ケミコン	03
C1057	WE101100	C. PP	330pF 100V		PPコン	01
C1058	UR397100	C. EL	10uF 100V		ケミコン	03
C1059	UA654220	C. PP	0.022uF 50V		PPコン	01
C1060	UR297100	C. EL	10uF 100V		ケミコン	
C1061	UA654220	C. PP	0.022uF 50V		PPコン	01
C1062	VP918300	C. PP	0.022uF 100V		PPコン	01
C1063	UA654220	C. PP	0.022uF 50V		PPコン	01
C1064	VP918300	C. PP	0.022uF 100V		PPコン	01
C1065	UA654220	C. PP	0.022uF 50V		PPコン	01
C1066	VP918300	C. PP	0.022uF 100V		PPコン	01
C1067	UR838100	C. EL	100uF 16V		ケミコン	01
C1068-1069	WE100900	C. PP	220pF 630V		PPコン	02
C1070	UR866470	C. EL	4.7uF 50V		ケミコン	01
C1073	VF467000	C. CE. TUBLR	1000pF 50V		円筒セラコン	01
C1075	UR049680	C. EL	6800uF 25V	JUCRTAB	ケミコン	
C1075	UU249680	C. EL	6800uF 25V	KGEL	ケミコン FW	04
C1076	UR049220	C. EL	2200uF 25V	JUCRTAB	ケミコン	01

*
*
*
*
*

* New Parts * 新規部品

RX-V861/HTR-6080/DSP-AX861SE/
DSP-AX861

P.C.B. MAIN

Ref No.	Part No.	Description	Remarks	Markets	部 品 名	ランク		
*	C1076	UU249220	C. EL	2200uF 25V		KGEL	ケミコン F W	
	C1079	VF467000	C. CE. TUBLR	1000pF 50V			円筒セラコン	01
	C1080	VF467300	C. CE. TUBLR	0.01uF 16V			円筒セラコン	01
	C1082-1083	VR324700	C. MYLAR	0.022uF 100V			マイラーコン	
*	C1084-1085	WJ788600	C. EL	12000uF 71V			ケミコン	
	C1092-1093	UA654220	C. MYLAR	0.022uF 50V J			マイラーコン	01
	C1094-1095	VR324900	C. MYLAR	0.1uF 100V			マイラーコン	01
	C1097	UA654100	C. MYLAR	0.01uF 50V J			マイラーコン	01
	C1099	UA654100	C. MYLAR	0.01uF 50V J			マイラーコン	01
	C1102-1103	UA654100	C. MYLAR	0.01uF 50V J			マイラーコン	01
	C1108	UA654100	C. MYLAR	0.01uF 50V J			マイラーコン	01
	C1110-1111	UA654100	C. MYLAR	0.01uF 50V J			マイラーコン	01
	C1113-1114	UA654100	C. MYLAR	0.01uF 50V J			マイラーコン	01
	C1115-1116	UA653470	C. MYLAR	4700pF 50V J			マイラーコン	01
	C1117-1118	UA654100	C. MYLAR	0.01uF 50V J			マイラーコン	01
	C1153-1154	UA654100	C. MYLAR	0.01uF 50V J			マイラーコン	01
	C1155-1156	UR397100	C. EL	10uF 100V			ケミコン	03
	C1157	UR297100	C. EL	10uF 100V			ケミコン	
	D1000	VG440500	DIODE. ZENR	MTZJ13B 13V			ツェナーダイオード	01
	D1003-1013	VD631600	DIODE	1SS133, 176			ダイオード	01
	D1017-1018	VG435500	DIODE. ZENR	MTZJ2. 4B 2.4V			ツェナーダイオード	01
	D1019-1030	VN008700	DIODE	1SS270A			ダイオード	01
	D1031	VD631600	DIODE	1SS133, 176	861	UCRTKAGEL	ダイオード	01
	D1031	VD631600	DIODE	1SS133, 176	6080	G	ダイオード	01
	D1033	VD631600	DIODE	1SS133, 176			ダイオード	01
	D1034	VD631600	DIODE	1SS133, 176	861	UCRTKAGEL	ダイオード	01
	D1034	VD631600	DIODE	1SS133, 176	6080	G	ダイオード	01
△	D1035	WB121700	DIODE. BRG	RS103 1A 200V			ダイオードブリッジ	
	D1037-1038	VD631600	DIODE	1SS133, 176			ダイオード	01
△	D1040	WA653200	DIODE. BRG	TS6P03G 6A 200V		JKBGEL	ダイオードブリッジ	04
* △	D1040	WB212700	DIODE. BRG	RS603M 6A 200V		UCRTA	ダイオードブリッジ	
	D1043	VD631600	DIODE	1SS133, 176			ダイオード	01
	D1047	VD631600	DIODE	1SS133, 176			ダイオード	01
	D1049	VD631600	DIODE	1SS133, 176			ダイオード	01
△	D1053-1058	VG437500	DIODE. ZENR	MTZJ5. 1C 5.1V			ツェナーダイオード	01
△	D1061	VG437500	DIODE. ZENR	MTZJ5. 1C 5.1V			ツェナーダイオード	01
	D1062-1063	VD631600	DIODE	1SS133, 176			ダイオード	01
	D1064	VN008700	DIODE	1SS270A			ダイオード	01
	D1065	VD631600	DIODE	1SS133, 176			ダイオード	01
	D1066	VN008700	DIODE	1SS270A			ダイオード	01
	D1067-1069	VD631600	DIODE	1SS133, 176			ダイオード	01
	G100	V5995800	PLATE. GND				アースプレート	
	JK100	V9435700	JACK. MNI	MSJ-035-12APC	861	UCRTKAGEL	モノラル ミニジャック	01
	JK100	V9435700	JACK. MNI	MSJ-035-12APC	6080	G	モノラル ミニジャック	01
	JK102	V9435700	JACK. MNI	MSJ-035-12APC	861	UCRTKAGEL	モノラル ミニジャック	01
	JK102	V9435700	JACK. MNI	MSJ-035-12APC	6080	G	モノラル ミニジャック	01
	JK201	V9435700	JACK. MNI	MSJ-035-12APC			モノラル ミニジャック	01
	PN1-2	V9637500	PIN	L=70 #18			スタイルピン	
	PN4	V9637500	PIN	L=70 #18			スタイルピン	
	Q1000	VP872600	TR	2SA1708 S, T			トランジスタ	01
△	Q1019-1024	VK432900	TR	2SD1915F S, T			トランジスタ	01
	Q1025-1027	VR325600	TR	2SC2229 O, Y			トランジスタ	01
	Q1031	WC398400	TR	2N5551C-AT			トランジスタ	
	Q1032	WC397700	TR	2N5401C-AT			トランジスタ	

* New Parts * 新規部品

P.C.B. MAIN

Ref No.	Part No.	Description	Remarks	Markets	部 品 名	ランク	
△ Q1033	V4096100	TR	2SC4614 S,T			トランジスタ	02
△ Q1034	V4096000	TR	2SA1770 S,T			トランジスタ	03
△ Q1035	V4096100	TR	2SC4614 S,T			トランジスタ	02
△ Q1036	V4096000	TR	2SA1770 S,T			トランジスタ	03
△ Q1037	V4096100	TR	2SC4614 S,T			トランジスタ	02
△ Q1038	V4096000	TR	2SA1770 S,T			トランジスタ	03
△ Q1039	V4096100	TR	2SC4614 S,T			トランジスタ	02
△ Q1040	V4096000	TR	2SA1770 S,T			トランジスタ	03
△ Q1041	V4096100	TR	2SC4614 S,T			トランジスタ	02
△ Q1042	V4096000	TR	2SA1770 S,T			トランジスタ	03
△ Q1043	V4096100	TR	2SC4614 S,T			トランジスタ	02
△ Q1044	V4096000	TR	2SA1770 S,T			トランジスタ	03
△ Q1045	WG538600	TR	KTA1046-Y-U/P			トランジスタ	
△ Q1046	WG538600	TR	KTA1046-Y-U/P			トランジスタ	
△ Q1047	WC398400	TR	2N5551C-AT			トランジスタ	
△ Q1048A	iX630850	TR	2SA1695 O,P,Y			トランジスタ	04
△ Q1048C	iX630860	TR	2SC4468 O,P,Y			トランジスタ	04
△ Q1049A	iX630850	TR	2SA1695 O,P,Y			トランジスタ	04
△ Q1049C	iX630860	TR	2SC4468 O,P,Y			トランジスタ	04
△ Q1050A	iX630850	TR	2SA1695 O,P,Y			トランジスタ	04
△ Q1050C	iX630860	TR	2SC4468 O,P,Y			トランジスタ	04
△ Q1051A	iX630850	TR	2SA1695 O,P,Y			トランジスタ	04
△ Q1051C	iX630860	TR	2SC4468 O,P,Y			トランジスタ	04
△ Q1052A	iX630850	TR	2SA1695 O,P,Y			トランジスタ	04
△ Q1052C	iX630860	TR	2SC4468 O,P,Y			トランジスタ	04
△ Q1053A	iX630850	TR	2SA1695 O,P,Y			トランジスタ	04
△ Q1053C	iX630860	TR	2SC4468 O,P,Y			トランジスタ	04
△ Q1060-1066	WC398400	TR	2N5551C-AT			トランジスタ	
△ Q1067	iC181510	TR	2SC1815 Y			トランジスタ	01
△ Q1069	VP872600	TR	2SA1708 S,T	861	UCRTKAGEL	トランジスタ	01
△ Q1069	VP872600	TR	2SA1708 S,T	6080	G	トランジスタ	01
△ Q1070	VV912300	TR. DGT	DTC144ESA-TP	861	UCRTKAGEL	デジタルトランジスタ	
△ Q1070	VV912300	TR. DGT	DTC144ESA-TP	6080	G	デジタルトランジスタ	
△ Q1071-1076	WC529200	TR. DGT	KRC102M-AT			デジタルトランジスタ	01
△ Q1077	VK432900	TR	2SD1915F S,T			トランジスタ	01
△ Q1078	VR325600	TR	2SC2229 O,Y			トランジスタ	01
△ Q1079	V4096100	TR	2SC4614 S,T			トランジスタ	02
△ Q1080	V4096000	TR	2SA1770 S,T			トランジスタ	03
△ Q1081A	iX630850	TR	2SA1695 O,P,Y			トランジスタ	04
△ Q1081C	iX630860	TR	2SC4468 O,P,Y			トランジスタ	04
△ Q1083	WC398400	TR	2N5551C-AT			トランジスタ	
△ Q1087	WC529200	TR. DGT	KRC102M-AT			デジタルトランジスタ	01
△ Q1088-1094	WC398500	TR. DGT	KRA102M-AT			デジタルトランジスタ	01
△ Q1095	iA101510	TR	2SA1015 Y			トランジスタ	01
△ Q1096	iC181510	TR	2SC1815 Y			トランジスタ	01
R1019	HV756100	R. CAR. FP	1KΩ 1/4W			不燃化カーボン抵抗	01
R1063	HF355470	R. CAR	470Ω 1/2W			カーボン抵抗	
R1065-1069	HF355470	R. CAR	470Ω 1/2W			カーボン抵抗	
R1084	HL006270	R. MTL. OXD	2.7KΩ 1/2W			酸化金属被膜抵抗	
R1085	HL005470	R. MTL. OXD	470Ω 1/2W			酸化金属被膜抵抗	
R1086	HL005820	R. MTL. OXD	820Ω 1/2W			酸化金属被膜抵抗	
R1087	HL006270	R. MTL. OXD	2.7KΩ 1/2W			酸化金属被膜抵抗	
R1088	HL005470	R. MTL. OXD	470Ω 1/2W			酸化金属被膜抵抗	
R1089	HL005820	R. MTL. OXD	820Ω 1/2W			酸化金属被膜抵抗	
R1090	HL006270	R. MTL. OXD	2.7KΩ 1/2W			酸化金属被膜抵抗	

* New Parts * 新規部品

P.C.B. MAIN

Ref No.	Part No.	Description	Remarks	Markets	部 品 名	ランク
R1091	HL005470	R. MTL. OXD	470Ω 1/2W		酸化金属被膜抵抗	
R1092	HL005820	R. MTL. OXD	820Ω 1/2W		酸化金属被膜抵抗	
R1093	HL006270	R. MTL. OXD	2.7KΩ 1/2W		酸化金属被膜抵抗	
R1094	HL005470	R. MTL. OXD	470Ω 1/2W		酸化金属被膜抵抗	
R1095	HL005820	R. MTL. OXD	820Ω 1/2W		酸化金属被膜抵抗	
R1096	HL006270	R. MTL. OXD	2.7KΩ 1/2W		酸化金属被膜抵抗	
R1097	HL005470	R. MTL. OXD	470Ω 1/2W		酸化金属被膜抵抗	
R1098	HL005820	R. MTL. OXD	820Ω 1/2W		酸化金属被膜抵抗	
R1099	HL006270	R. MTL. OXD	2.7KΩ 1/2W		酸化金属被膜抵抗	
R1100	HL005470	R. MTL. OXD	470Ω 1/2W		酸化金属被膜抵抗	
R1101	HL005820	R. MTL. OXD	820Ω 1/2W		酸化金属被膜抵抗	
R1104	HL005820	R. MTL. OXD	820Ω 1/2W		酸化金属被膜抵抗	
R1105	HV755120	R. CAR. FP	120Ω 1/4W		不燃化カーボン抵抗	01
R1106	HL005820	R. MTL. OXD	820Ω 1/2W		酸化金属被膜抵抗	
R1107	HV755120	R. CAR. FP	120Ω 1/4W		不燃化カーボン抵抗	01
R1108	HL005820	R. MTL. OXD	820Ω 1/2W		酸化金属被膜抵抗	
R1109	HV755120	R. CAR. FP	120Ω 1/4W		不燃化カーボン抵抗	01
R1110	HL005820	R. MTL. OXD	820Ω 1/2W		酸化金属被膜抵抗	
R1111	HV755120	R. CAR. FP	120Ω 1/4W		不燃化カーボン抵抗	01
R1112	HL005820	R. MTL. OXD	820Ω 1/2W		酸化金属被膜抵抗	
R1113	HV755120	R. CAR. FP	120Ω 1/4W		不燃化カーボン抵抗	01
R1114	HL005820	R. MTL. OXD	820Ω 1/2W		酸化金属被膜抵抗	
R1115	HV755120	R. CAR. FP	120Ω 1/4W		不燃化カーボン抵抗	01
R1116	V8072100	R. MTL. OXD	5.6KΩ 1W		酸化金属被膜抵抗	
R1117	HV755560	R. CAR. FP	560Ω 1/4W		不燃化カーボン抵抗	01
R1119-1130	HV755120	R. CAR. FP	120Ω 1/4W		不燃化カーボン抵抗	01
R1131	HV756470	R. CAR. FP	4.7KΩ 1/4W		不燃化カーボン抵抗	01
R1132	V8072000	R. MTL. OXD	4.7KΩ 1W		酸化金属被膜抵抗	
R1133-1134	HV754100	R. CAR. FP	10Ω 1/4W		不燃化カーボン抵抗	01
R1135-1136	HV754100	R. CAR. FP	10Ω 1/4W		不燃化カーボン抵抗	01
R1139-1145	HV754100	R. CAR. FP	10Ω 1/4W		不燃化カーボン抵抗	01
R1147-1148	HV754100	R. CAR. FP	10Ω 1/4W		不燃化カーボン抵抗	01
R1149-1154	WG471300	R. WW	RF-5EGKR22		セメント抵抗	01
R1173-1178	V8070300	R. MTL. FLM	10Ω 1W		金属被膜抵抗	
R1202-1203	V8070200	R. MTL. FLM	4.7Ω 1W		金属被膜抵抗	
R1232	HV753470	R. CAR. FP	4.7Ω 1/4W		不燃化カーボン抵抗	01
R1238	HV753470	R. CAR. FP	4.7Ω 1/4W		不燃化カーボン抵抗	01
R1245	HL006270	R. MTL. OXD	2.7KΩ 1/2W		酸化金属被膜抵抗	
R1249	HL005470	R. MTL. OXD	470Ω 1/2W		酸化金属被膜抵抗	
R1252	HL005820	R. MTL. OXD	820Ω 1/2W		酸化金属被膜抵抗	
R1254	HL005820	R. MTL. OXD	820Ω 1/2W		酸化金属被膜抵抗	
R1294	HF355470	R. CAR	470Ω 1/2W		カーボン抵抗	
R1296-1298	HV755120	R. CAR. FP	120Ω 1/4W		不燃化カーボン抵抗	01
R1301-1302	HV754100	R. CAR. FP	10Ω 1/4W		不燃化カーボン抵抗	01
R1303	WG471300	R. WW	RF-5EGKR22		セメント抵抗	01
R1307	V8070300	R. MTL. FLM	10Ω 1W		金属被膜抵抗	
R1318	HV753100	R. CAR. FP	1Ω 1/4W		不燃化カーボン抵抗	01
R1324-1325	HV753470	R. CAR. FP	4.7Ω 1/4W		不燃化カーボン抵抗	01
RY100-102	WJ122400	RELAY	981-2A-24DS-SP7		リレー 24V	
RY103	V5178900	RELAY	DC DQ24D1-OS(M)		リレー 24V	04
RY104	WJ122400	RELAY	981-2A-24DS-SP7		リレー 24V	
RY105	WE648700	RELAY	DC DH24D2-0-Q		リレー 24V	06
RY106	WJ122400	RELAY	981-2A-24DS-SP7		リレー 24V	
ST1	V4040500	SCR. TERM	M3		スクリュー/ターミナル	01
TE100	WH963400	TERM. SP	8P LTS0810-0020FM	JUCRTA	スピーカ端子 8P	

* New Parts * 新規部品

P.C.B. MAIN and P.C.B. VIDEO

Ref No.	Part No.	Description	Remarks	Markets	部 品 名	ランク	
* TE100	WH963500	TERM. SP	8P LTS0810-0021FM		KBGEL	スピーカ端子 8 P	
TE101	WH963200	TERM. SP	6P LTS0610-0014FM		JUCRTA	スピーカ端子 6 P	
* TE101	WH963300	TERM. SP	6P LTS0610-0015FM		KBGEL	スピーカ端子 6 P	
TE102	WH963000	TERM. SP	4P LTS0410-0015FM		JUCRTA	スピーカ端子 4 P	
* TE102	WH963100	TERM. SP	4P LTS0410-0016FM		KBGEL	スピーカ端子 4 P	
	WE774200	SCR. BND. HD	3x10 MFZN2W3			バインドBタイトネジ	01
* WJ719000		P. C. B.	VIDEO		J	P C B ビデオ	
* WJ719100		P. C. B.	VIDEO	861	UC	P C B ビデオ	
* WJ719900		P. C. B.	VIDEO	6080	UC	P C B ビデオ	
* WJ719200		P. C. B.	VIDEO		R	P C B ビデオ	
* WJ719300		P. C. B.	VIDEO		T	P C B ビデオ	
* WJ719400		P. C. B.	VIDEO		K	P C B ビデオ	
* WJ719500		P. C. B.	VIDEO		A	P C B ビデオ	
* WJ719600		P. C. B.	VIDEO		B	P C B ビデオ	
* WJ719700		P. C. B.	VIDEO	861	GE	P C B ビデオ	
* WK437100		P. C. B.	VIDEO	6080	G	P C B ビデオ	
* WJ719800		P. C. B.	VIDEO		L	P C B ビデオ	
CB301	VQ045500	CN. BS. PIN	26P			F F Cコネクタ	02
CB303	VC166500	CN. BS. PIN	12P			コネクタベースポスト	01
CB304	VB858300	CN. BS. PIN	4P			コネクタベースポスト	01
CB305	VB858500	CN. BS. PIN	6P			ベースピン	01
CB306	VQ045700	CN. BS. PIN	28P			F F Cコネクタ	02
CB307	VP127700	CN	24P			コネクタ	01
CB308	VM923600	CN. BS. PIN	13P			F F Cコネクタ	01
CB309	VQ044400	CN. BS. PIN	9P			F F Cコネクタ	01
CB351	LB919040	CN. BS. PIN	4P			ベース付ポスト	01
* CB352	VQ048100	CN	32P TE			F F C コネクタ	01
CB381-384	WD398400	CN. DIN	14P YKF45-3011		J	D I Nコネクタ	05
C3001	UR837330	C. EL	33uF 16V			ケミコン	01
C3003	US135100	C. CE. CHP	0.1uF 16V			チップセラコン	01
C3004-3007	US064100	C. CE. CHP	0.01uF 50V B			チップセラコン	01
C3009-3010	US064100	C. CE. CHP	0.01uF 50V B			チップセラコン	01
C3013	US135100	C. CE. CHP	0.1uF 16V			チップセラコン	01
C3014	US064100	C. CE. CHP	0.01uF 50V B			チップセラコン	01
C3015	US135100	C. CE. CHP	0.1uF 16V			チップセラコン	01
C3017	US135100	C. CE. CHP	0.1uF 16V			チップセラコン	01
C3018	US064100	C. CE. CHP	0.01uF 50V B			チップセラコン	01
C3019-3021	US135100	C. CE. CHP	0.1uF 16V			チップセラコン	01
C3022	US063100	C. CE. CHP	1000pF 50V B		UC	チップセラコン	01
C3023-3031	US063100	C. CE. CHP	1000pF 50V B			チップセラコン	01
C3032	US135100	C. CE. CHP	0.1uF 16V			チップセラコン	01
C3033	UR237470	C. EL	47uF 16V			ケミコン	01
C3034	US135100	C. CE. CHP	0.1uF 16V			チップセラコン	01
C3035	UR237470	C. EL	47uF 16V			ケミコン	01
C3036	US135100	C. CE. CHP	0.1uF 16V			チップセラコン	01
C3037	UR218220	C. EL	220uF 6.3V			ケミコン	01
C3038	WB165500	C. EL	0.33F 5.5V			ゴールドキャパシタ	04
C3039	UR218220	C. EL	220uF 6.3V			ケミコン	01
C3040	UR219100	C. EL	1000uF 6.3V			ケミコン	01
C3041-3042	US063100	C. CE. CHP	1000pF 50V B		UC	チップセラコン	01
C3043-3044	US063100	C. CE. CHP	1000pF 50V B			チップセラコン	01
C3045-3047	US063100	C. CE. CHP	1000pF 50V B		UC	チップセラコン	01

* New Parts * 新規部品

P.C.B. VIDEO

Ref No.	Part No.	Description	Remarks	Markets	部 品 名	ランク
C3048-3049	US063100	C. CE. CHP	1000pF 50V B		チップセラコン	01
C3051-3053	US062100	C. CE. CHP	100pF 50V B		チップセラコン	01
C3056	US046100	C. CE. CHP	1uF 25V	861	UCRKTAGEL	01
C3056	US046100	C. CE. CHP	1uF 25V	6080	G	01
C3057-3058	US046100	C. CE. CHP	1uF 25V		チップセラコン	01
C3060-3061	US046100	C. CE. CHP	1uF 25V		チップセラコン	01
C3069	US063100	C. CE. CHP	1000pF 50V B		チップセラコン	01
C3071	US062100	C. CE. CHP	100pF 50V B		チップセラコン	01
C3501-3504	US135100	C. CE. CHP	0.1uF 16V		JUC	01
C3505-3506	US062100	C. CE. CHP	100pF 50V B		チップセラコン	01
C3508-3511	US062100	C. CE. CHP	100pF 50V B		チップセラコン	01
C3513	US062100	C. CE. CHP	100pF 50V B		チップセラコン	01
C3514-3515	UR237470	C. EL	47uF 16V		ケミコン	
C3517-3519	US135100	C. CE. CHP	0.1uF 16V		チップセラコン	01
C3520	UR267100	C. EL	10uF 50V		ケミコン	
C3521-3522	US135100	C. CE. CHP	0.1uF 16V		チップセラコン	01
C3524-3526	US135100	C. CE. CHP	0.1uF 16V		チップセラコン	01
C3528	US135100	C. CE. CHP	0.1uF 16V		チップセラコン	01
C3534	US135100	C. CE. CHP	0.1uF 16V		チップセラコン	01
C3536	UR267100	C. EL	10uF 50V		ケミコン	
C3537-3542	UR837470	C. EL	47uF 16V		ケミコン	01
C3543-3544	US135100	C. CE. CHP	0.1uF 16V		チップセラコン	01
C3546	UR837470	C. EL	47uF 16V		ケミコン	01
C3548	UR837470	C. EL	47uF 16V		ケミコン	01
C3550	US135100	C. CE. CHP	0.1uF 16V		チップセラコン	01
C3551	UR237470	C. EL	47uF 16V		ケミコン	
C3552-3553	US135100	C. CE. CHP	0.1uF 16V		チップセラコン	01
C3555-3558	US135100	C. CE. CHP	0.1uF 16V		チップセラコン	01
C3563-3564	UR237470	C. EL	47uF 16V		ケミコン	
C3567	UR237470	C. EL	47uF 16V		ケミコン	
C3568	US064100	C. CE. CHP	0.01uF 50V B		チップセラコン	01
C3569	US135100	C. CE. CHP	0.1uF 16V		JUC	01
C3570	UR837100	C. EL	10uF 16V		ケミコン	01
C3571-3572	US135100	C. CE. CHP	0.1uF 16V		チップセラコン	01
C3575	UR837470	C. EL	47uF 16V		ケミコン	01
C3576	US135100	C. CE. CHP	0.1uF 16V		チップセラコン	01
C3577	US062120	C. CE. CHP	120pF 50V B		チップセラコン	01
C3578	UR237470	C. EL	47uF 16V		ケミコン	
C3579	US062220	C. CE. CHP	220pF 50V B		チップセラコン	01
C3580-3582	US135100	C. CE. CHP	0.1uF 16V		チップセラコン	01
C3583	US061100	C. CE. CHP	10pF 50V B		JUCRK	01
C3583-3584	US060600	C. CE. CHP	6pF 50V B		TABGEL	
C3584	US060700	C. CE. CHP	7pF 50V B		TABGEL	01
C3585	UR237470	C. EL	47uF 16V		ケミコン	
C3586	US135100	C. CE. CHP	0.1uF 16V		チップセラコン	01
C3587	US060800	C. CE. CHP	8pF 50V B		JUCRK	01
C3587	US060500	C. CE. CHP	5pF 50V B		TABGEL	01
C3588	US135100	C. CE. CHP	0.1uF 16V		チップセラコン	01
C3589	UR237470	C. EL	47uF 16V		ケミコン	
C3590	US135100	C. CE. CHP	0.1uF 16V		チップセラコン	01
C3591	US061240	C. CE. CHP	24pF 50V B		チップセラコン	01
C3592	UR237470	C. EL	47uF 16V		ケミコン	
C3593	UR218470	C. EL	470uF 6.3V		ケミコン	
C3594	US135100	C. CE. CHP	0.1uF 16V		チップセラコン	01
C3595	US061240	C. CE. CHP	24pF 50V B		チップセラコン	01

* New Parts * 新規部品

P.C.B. VIDEO

Ref No.	Part No.	Description	Remarks	Markets	部 品 名	ランク
C3596	UR237470	C. EL	47uF 16V		ケミコン	
C3597-3598	US135100	C. CE. CHP	0.1uF 16V		チップセラコン	01
C3599-3601	UR837100	C. EL	10uF 16V		ケミコン	01
C3801-3803	US060800	C. CE. CHP	8pF 50V B		チップセラコン	01
C3804-3815	US064100	C. CE. CHP	0.01uF 50V B	J	チップセラコン	01
C3816-3818	US060800	C. CE. CHP	8pF 50V B	J	チップセラコン	01
C3819	UR837470	C. EL	47uF 16V		ケミコン	01
C3820-3821	US135100	C. CE. CHP	0.1uF 16V		チップセラコン	01
C3823	UR837470	C. EL	47uF 16V		ケミコン	01
C3824-3826	US135100	C. CE. CHP	0.1uF 16V		チップセラコン	01
C3827	UR837470	C. EL	47uF 16V		ケミコン	01
C3828-3829	US135100	C. CE. CHP	0.1uF 16V		チップセラコン	01
C3830	UR267100	C. EL	10uF 50V		ケミコン	
C3831	US135100	C. CE. CHP	0.1uF 16V	J	チップセラコン	01
C3832-3833	US135100	C. CE. CHP	0.1uF 16V		チップセラコン	01
C3834-3836	US135100	C. CE. CHP	0.1uF 16V	J	チップセラコン	01
C3837	US135100	C. CE. CHP	0.1uF 16V		チップセラコン	01
C3838	UR267100	C. EL	10uF 50V		ケミコン	
C3839	US135100	C. CE. CHP	0.1uF 16V		チップセラコン	01
C3840	UR237470	C. EL	47uF 16V		ケミコン	
C3841-3842	US135100	C. CE. CHP	0.1uF 16V		チップセラコン	01
C3844	UR237470	C. EL	47uF 16V		ケミコン	
C3845	US126100	C. CE. CHP	1uF 10V		チップセラコン	01
C3847	US135100	C. CE. CHP	0.1uF 16V		チップセラコン	01
C3849	UR837470	C. EL	47uF 16V		ケミコン	01
C3850-3851	US135100	C. CE. CHP	0.1uF 16V		チップセラコン	01
C3853	UR837470	C. EL	47uF 16V		ケミコン	01
C3854	US064100	C. CE. CHP	0.01uF 50V B		チップセラコン	01
C3855-3857	US135100	C. CE. CHP	0.1uF 16V		チップセラコン	01
C3858	UR266220	C. EL	2.2uF 50V		ケミコン	
C3859	UR837470	C. EL	47uF 16V		ケミコン	01
C3860	UR238100	C. EL	100uF 16V		ケミコン	
C3999	US063100	C. CE. CHP	1000pF 50V		チップセラコン	
D3002	VT332900	DIODE	1SS355		ダイオード	01
D3003-3006	VU992600	DIODE. ZENR	MA8051-M 5.1V		ツェナーダイオード	01
D3007-3008	VT332900	DIODE	1SS355		ダイオード	01
D3009	VV833200	DIODE	1SS380		ダイオード	01
D3010-3013	VT332900	DIODE	1SS355		ダイオード	01
D3014	V8960900	DIODE. ZENR	MA8024-(TX) 2.4V	R	ツェナーダイオード	01
D3015	VT332900	DIODE	1SS355	R	ダイオード	01
D3016	VT332900	DIODE	1SS355		ダイオード	01
D3501	VU992600	DIODE. ZENR	MA8051-M 5.1V	JUC	ツェナーダイオード	01
D3502-3504	VT332900	DIODE	1SS355		ダイオード	01
D3509-3510	VT332900	DIODE	1SS355		ダイオード	01
D3801-3811	VT332900	DIODE	1SS355	J	ダイオード	01
D3812-3813	VT332900	DIODE	1SS355		ダイオード	01
D3814-3817	VT332900	DIODE	1SS355	J	ダイオード	01
IC301	X8328A00	IC CPU	M30878JBG	boot only	IC CPU	
IC302	X5886A00	IC	RH5RE58AA-T1-FA		電源IC	04
IC351-352	XY549A00	IC	TC74HC4051AFEL		ロジックIC	02
IC353	X4321A00	IC	CD4051BNSR		ロジックIC	01
IC354-355	X6742A00	IC	LA73050-TLM-E		アンプIC	04
IC356	XY877A00	IC	MM74HC4053SJX		ロジックIC	01
IC357	XZ509A00	IC	TC74VHC04FT INVER		ロジックIC	01
IC358	X7818A00	IC	LC74782JM-8A16-TLM		IC	07

* New Parts * 新規部品

P.C.B. VIDEO and P.C.B. HDMI

Ref No.	Part No.	Description	Remarks	Markets	部 品 名	ランク
IC359	XG741A00	IC	LA7106M-TLM-E		アンプ IC	05
IC381	XS790A00	IC	TC74HC4052AF MPX		ロジック IC	02
IC382	XU951A00	IC	AD8056AR		オペアンプ	04
IC383	XS790A00	IC	TC74HC4052AF MPX		ロジック IC	02
IC384-385	XS790A00	IC	TC74HC4052AF MPX		ロジック IC	02
IC386	XU951A00	IC	AD8056AR		オペアンプ	04
IC387	X2904A00	IC	NJM2581M VIDEO AMP		アンプ IC	06
IC388	X2484A00	IC	TA1318AF		IC	07
IC389	XY877A00	IC	MM74HC4053SJX		ロジック IC	01
JK351-352	WD396100	JACK. PIN	LAP5100-1801FC		ピンジャック + S	04
JK353	WD396300	JACK. PIN	LAP5100-1601FC		ピンジャック + S	04
PJ381-382	WG471900	JACK. PIN	6P		ピンジャック 6 P	03
PN301	V9637500	PIN	L=70 #18		スタイルピン	
PN303	V9637500	PIN	L=70 #18		スタイルピン	
PN306-308	V9637500	PIN	L=70 #18		スタイルピン	
Q3001	VP872600	TR	2SA1708 S,T		トランジスタ	01
Q3002	VV655700	TR. DGT	DTC144EKA		デジタルトランジスタ	01
Q3003	WH445000	FET	3LN01C-TB-E		F E T	01
Q3004	VV556500	TR	2SA1037K Q,R,S	861	トランジスタ	01
Q3004	VV556500	TR	2SA1037K Q,R,S	6080	トランジスタ	01
Q3005-3006	VV556500	TR	2SA1037K Q,R,S		トランジスタ	01
Q3008-3010	VV556500	TR	2SA1037K Q,R,S		トランジスタ	01
Q3501-3502	VV556500	TR	2SA1037K Q,R,S		トランジスタ	01
Q3504	VV556400	TR	2SC2412K Q,R,S		トランジスタ	01
Q3505-3508	VV655700	TR. DGT	DTC144EKA		デジタルトランジスタ	01
Q3801-3802	VV655000	TR. DGT	DTA114EKA		デジタルトランジスタ	01
R3546-3547	HV753100	R. CAR. FP	1Ω 1/4W		不燃化カーボン抵抗	01
R3549-3550	HV753100	R. CAR. FP	1Ω 1/4W		不燃化カーボン抵抗	01
R3553	HV753100	R. CAR. FP	1Ω 1/4W		不燃化カーボン抵抗	01
R3558	HV753220	R. CAR. FP	2.2Ω 1/4W		不燃化カーボン抵抗	01
R3560-3562	HV753100	R. CAR. FP	1Ω 1/4W		不燃化カーボン抵抗	01
R3828	HV753100	R. CAR. FP	1Ω 1/4W		不燃化カーボン抵抗	01
R3840	HV753100	R. CAR. FP	1Ω 1/4W		不燃化カーボン抵抗	01
R3856	HV753100	R. CAR. FP	1Ω 1/4W		不燃化カーボン抵抗	01
R3862	HV753100	R. CAR. FP	1Ω 1/4W		不燃化カーボン抵抗	01
R3875	HV753100	R. CAR. FP	1Ω 1/4W		不燃化カーボン抵抗	01
ST301	V4040500	SCR. TERM	M3		スクリュー/ターミナル	01
XL301	WF997400	RSNR. CE	20MHz		セラミック振動子	02
XL351	WD280800	RSNR. CRY5	14.31818MHz		水晶振動子	03
* XL351	WD280900	RSNR. CRY5	17.734475MHz		水晶振動子	
XL381	V5345200	RSNR. CE	CSBLA503KECZF30-B0		セラミック振動子	01
* * * * *	WJ721000	P. C. B.	HDMI		P C B H D M I	
CB1-3	WH641400	CN. HDMI	19P SE		HDMI コネクター	03
CB4	WK014500	CN	22P		FMN コネクター	
CB5	VM923600	CN. BS. PIN	13P		FFC コネクター	01
CB6	VQ048100	CN	32P TE		FFC コネクター	01
CB7	LB919050	CN. BS. PIN	5P		ベース付ポスト	01
C1	WD758300	C. CE. CHP	10uF 10V		チップセラコン	01
C2-4	US135100	C. CE. CHP	0.1uF 16V		チップセラコン	01
C5	WD758300	C. CE. CHP	10uF 10V		チップセラコン	01
C6-7	US063100	C. CE. CHP	1000pF 50V B		チップセラコン	01
C8	US135100	C. CE. CHP	0.1uF 16V		チップセラコン	01

* New Parts * 新規部品

P.C.B. HDMI

Ref No.	Part No.	Description	Remarks	Markets	部 品 名	ランク
C9-10	US061220	C. CE. CHP	22pF 50V B		チップセラコン	01
C11-12	US135100	C. CE. CHP	0.1uF 16V		チップセラコン	01
C14-15	US135100	C. CE. CHP	0.1uF 16V		チップセラコン	01
C17	US135100	C. CE. CHP	0.1uF 16V		チップセラコン	01
C18	US064100	C. CE. CHP	0.01uF 50V B		チップセラコン	01
C19	US135100	C. CE. CHP	0.1uF 16V		チップセラコン	01
C20	US063100	C. CE. CHP	1000pF 50V B		チップセラコン	01
C21	US064100	C. CE. CHP	0.01uF 50V B		チップセラコン	01
C22	WD758300	C. CE. CHP	10uF 10V		チップセラコン	01
C23	US064100	C. CE. CHP	0.01uF 50V B		チップセラコン	01
C24-26	US135100	C. CE. CHP	0.1uF 16V		チップセラコン	01
C27-28	US064100	C. CE. CHP	0.01uF 50V B		チップセラコン	01
C29	UF037100	C. EL. CHP	10uF 16V		チップケミコン	01
C30	US064100	C. CE. CHP	0.01uF 50V B		チップセラコン	01
C31	US135100	C. CE. CHP	0.1uF 16V		チップセラコン	01
C32	US064100	C. CE. CHP	0.01uF 50V B		チップセラコン	01
C33	US135100	C. CE. CHP	0.1uF 16V		チップセラコン	01
C34	US064100	C. CE. CHP	0.01uF 50V B		チップセラコン	01
C35	US135100	C. CE. CHP	0.1uF 16V		チップセラコン	01
C36	US062100	C. CE. CHP	100pF 50V B		チップセラコン	01
C37	US135100	C. CE. CHP	0.1uF 16V		チップセラコン	01
C38	UF027220	C. EL. CHP	22uF 10V		チップケミコン	01
C39	US135100	C. CE. CHP	0.1uF 16V		チップセラコン	01
C42	UF037100	C. EL. CHP	10uF 16V		チップケミコン	01
C43	US034820	C. CE. CHP	0.082uF 16V K		チップセラコン	01
C44-45	US064100	C. CE. CHP	0.01uF 50V B		チップセラコン	01
C46-48	US135100	C. CE. CHP	0.1uF 16V		チップセラコン	01
C49	US064100	C. CE. CHP	0.01uF 50V B		チップセラコン	01
C50-51	US060800	C. CE. CHP	8pF 50V B		チップセラコン	01
C52	WD758300	C. CE. CHP	10uF 10V		チップセラコン	01
C53	US135100	C. CE. CHP	0.1uF 16V		チップセラコン	01
C54	US061150	C. CE. CHP	15pF 50V B		チップセラコン	01
C55	US061120	C. CE. CHP	12pF 50V B		チップセラコン	01
C56-58	US135100	C. CE. CHP	0.1uF 16V		チップセラコン	01
C60	US135100	C. CE. CHP	0.1uF 16V		チップセラコン	01
C61	US064100	C. CE. CHP	0.01uF 50V B		チップセラコン	01
C62	US135100	C. CE. CHP	0.1uF 16V		チップセラコン	01
C63	US064100	C. CE. CHP	0.01uF 50V B		チップセラコン	01
C64	US135100	C. CE. CHP	0.1uF 16V		チップセラコン	01
C65	WD758300	C. CE. CHP	10uF 10V		チップセラコン	01
C66	US135100	C. CE. CHP	0.1uF 16V		チップセラコン	01
C67	US064100	C. CE. CHP	0.01uF 50V B		チップセラコン	01
C68-70	US135100	C. CE. CHP	0.1uF 16V		チップセラコン	01
C71	UF037100	C. EL. CHP	10uF 16V		チップケミコン	01
C72-78	US135100	C. CE. CHP	0.1uF 16V		チップセラコン	01
C79	US064100	C. CE. CHP	0.01uF 50V B		チップセラコン	01
C80	UF037100	C. EL. CHP	10uF 16V		チップケミコン	01
C81	US135100	C. CE. CHP	0.1uF 16V		チップセラコン	01
C82	WD758300	C. CE. CHP	10uF 10V		チップセラコン	01
C83	US135100	C. CE. CHP	0.1uF 16V		チップセラコン	01
C84	WD758300	C. CE. CHP	10uF 10V		チップセラコン	01
C85	US064100	C. CE. CHP	0.01uF 50V B		チップセラコン	01
C86	US135100	C. CE. CHP	0.1uF 16V		チップセラコン	01
C87	WD758300	C. CE. CHP	10uF 10V		チップセラコン	01
C88	US063100	C. CE. CHP	1000pF 50V B		チップセラコン	01

* New Parts * 新規部品

P.C.B. HDMI

Ref No.	Part No.	Description	Remarks	Markets	部 品 名	ランク
C89	US064100	C. CE. CHP	0.01uF	50V B	チップセラコン	01
C90-97	US135100	C. CE. CHP	0.1uF	16V	チップセラコン	01
C98-99	US063100	C. CE. CHP	1000pF	50V B	チップセラコン	01
C100-101	US135100	C. CE. CHP	0.1uF	16V	チップセラコン	01
C102	US064100	C. CE. CHP	0.01uF	50V B	チップセラコン	01
C103-107	US135100	C. CE. CHP	0.1uF	16V	チップセラコン	01
C108	US063100	C. CE. CHP	1000pF	50V B	チップセラコン	01
C109-111	US135100	C. CE. CHP	0.1uF	16V	チップセラコン	01
C112	US063100	C. CE. CHP	1000pF	50V B	チップセラコン	01
C113-117	US135100	C. CE. CHP	0.1uF	16V	チップセラコン	01
C118	WD758300	C. CE. CHP	10uF	10V	チップセラコン	01
C119-120	UF037100	C. EL. CHP	10uF	16V	チップケミコン	01
C125	US126100	C. CE. CHP	1uF	10V	チップセラコン	01
C126	UF037100	C. EL. CHP	10uF	16V	チップケミコン	01
C127	US135100	C. CE. CHP	0.1uF	16V	チップセラコン	01
C128-129	UF037100	C. EL. CHP	10uF	16V	チップケミコン	01
C130	UF017220	C. EL. CHP	22uF	6.3V	チップケミコン	01
C134-135	US135100	C. CE. CHP	0.1uF	16V	チップセラコン	01
C137	US135100	C. CE. CHP	0.1uF	16V	チップセラコン	01
C138	UF037100	C. EL. CHP	10uF	16V	チップケミコン	01
C140	UF017220	C. EL. CHP	22uF	6.3V	チップケミコン	01
C141-142	US135100	C. CE. CHP	0.1uF	16V	チップセラコン	01
C143	US064100	C. CE. CHP	0.01uF	50V B	チップセラコン	01
C144	UF037100	C. EL. CHP	10uF	16V	チップケミコン	01
C145-146	US135100	C. CE. CHP	0.1uF	16V	チップセラコン	01
C149	UF017220	C. EL. CHP	22uF	6.3V	チップケミコン	01
C151	UF038100	C. EL. CHP	100uF	16V	チップケミコン	01
C153-154	US135100	C. CE. CHP	0.1uF	16V	チップセラコン	01
C155	US064100	C. CE. CHP	0.01uF	50V B	チップセラコン	01
C158	US135100	C. CE. CHP	0.1uF	16V	チップセラコン	01
C160	UF017220	C. EL. CHP	22uF	6.3V	チップケミコン	01
C161	US135100	C. CE. CHP	0.1uF	16V	チップセラコン	01
C187	US064100	C. CE. CHP	0.01uF	50V B	チップセラコン	01
C188-190	US135100	C. CE. CHP	0.1uF	16V	チップセラコン	01
C200-206	US135100	C. CE. CHP	0.1uF	16V	チップセラコン	01
C207	US063100	C. CE. CHP	1000pF	50V B	チップセラコン	01
C208	US135100	C. CE. CHP	0.1uF	16V	チップセラコン	01
C210-224	US135100	C. CE. CHP	0.1uF	16V	チップセラコン	01
C226-233	US135100	C. CE. CHP	0.1uF	16V	チップセラコン	01
C235-239	US135100	C. CE. CHP	0.1uF	16V	チップセラコン	01
C241-242	US135100	C. CE. CHP	0.1uF	16V	チップセラコン	01
C246-247	US135100	C. CE. CHP	0.1uF	16V	チップセラコン	01
C249-253	US135100	C. CE. CHP	0.1uF	16V	チップセラコン	01
C255-257	US135100	C. CE. CHP	0.1uF	16V	チップセラコン	01
C260-261	US135100	C. CE. CHP	0.1uF	16V	チップセラコン	01
C280-283	US135100	C. CE. CHP	0.1uF	16V	チップセラコン	01
C284	UF017220	C. EL. CHP	22uF	6.3V	チップケミコン	01
C285-287	US135100	C. CE. CHP	0.1uF	16V	チップセラコン	01
C288	US063100	C. CE. CHP	1000pF	50V B	チップセラコン	01
C289	UF037100	C. EL. CHP	10uF	16V	チップケミコン	01
C290-296	US135100	C. CE. CHP	0.1uF	16V	チップセラコン	01
C298	UF017220	C. EL. CHP	22uF	6.3V	チップケミコン	01
C299-303	US135100	C. CE. CHP	0.1uF	16V	チップセラコン	01
C304	US063100	C. CE. CHP	1000pF	50V B	チップセラコン	01
C305	UF037100	C. EL. CHP	10uF	16V	チップケミコン	01

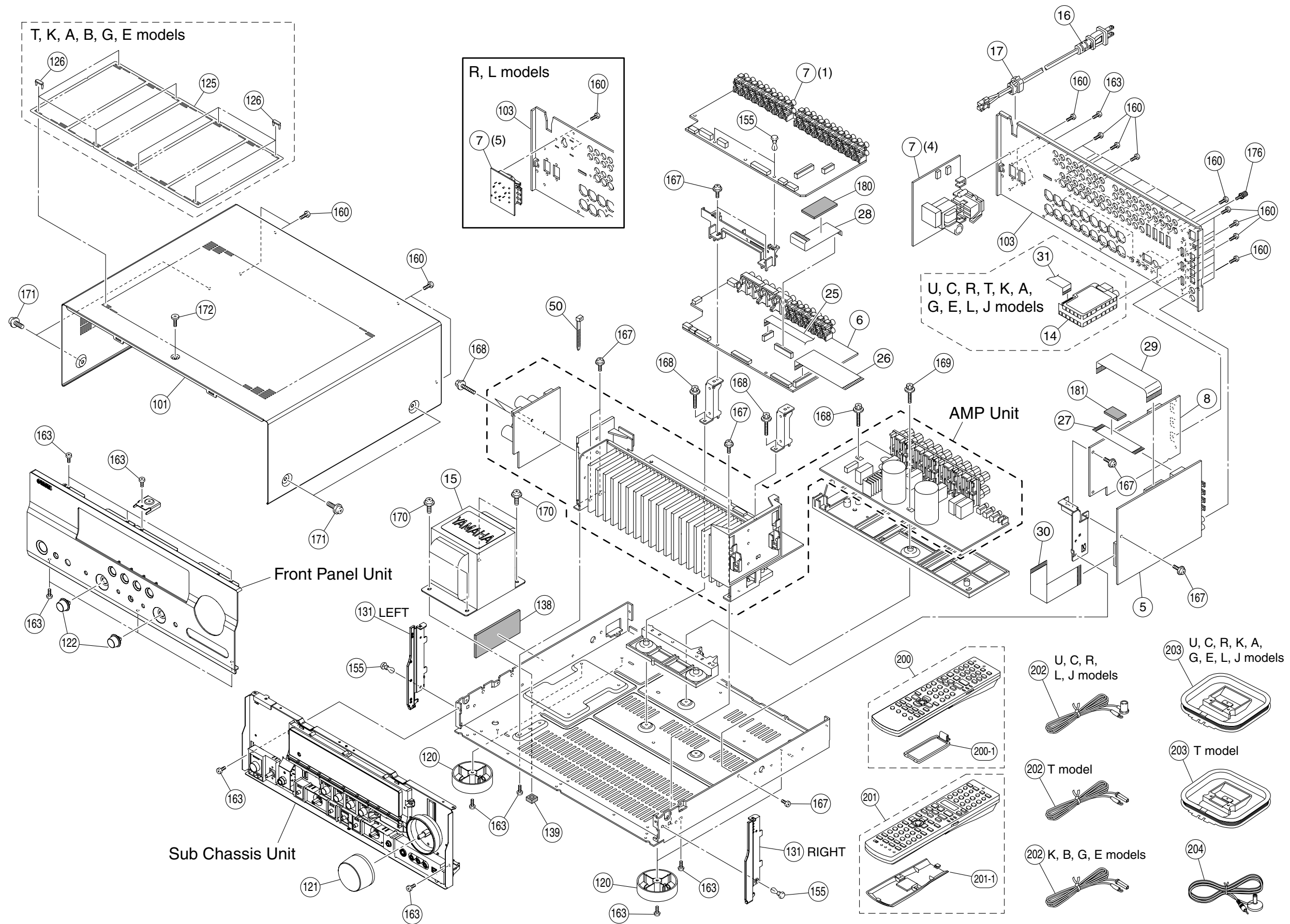
* New Parts * 新規部品

P.C.B. HDMI

Ref No.	Part No.	Description	Remarks	Markets	部 品 名	ランク
C313	US135100	C. CE. CHP	0.1uF	16V	チップセラコン	01
C314	US062100	C. CE. CHP	100pF	50V B	チップセラコン	01
D9-10	WE674800	D10DE	AVRL161A1R1NTB		チップバリスタ	01
D11-12	VT332900	D10DE	1SS355		ダイオード	01
D14	VT332900	D10DE	1SS355		ダイオード	01
D16-23	WH641900	ESD	PESD0603-140		ポリマー ESD	01
D25-32	WH641900	ESD	PESD0603-140		ポリマー ESD	01
D37	VT332900	D10DE	1SS355		ダイオード	01
D38	WE674800	D10DE	AVRL161A1R1NTB		チップバリスタ	01
D40	VT332900	D10DE	1SS355		ダイオード	01
D41	WE674800	D10DE	AVRL161A1R1NTB		チップバリスタ	01
D43-44	WE674800	D10DE	AVRL161A1R1NTB		チップバリスタ	01
D49	VT332900	D10DE	1SS355		ダイオード	01
D54	VT332900	D10DE	1SS355		ダイオード	01
D280	VT332900	D10DE	1SS355		ダイオード	01
F1	V2997600	SW. POLY	SMDCO50-02		ポリスイッチ	01
IC2	X8280A00	IC	NJM2885DL1-05		電源 IC	03
IC3	X6671A00	IC	ADV7172KSTZ		IC	09
IC4	X8009A00	IC	R1131N181D		電源 IC	03
IC5	X6866A00	IC	NJM2391DL1-33		電源 IC	04
IC8	X7741A00	IC	NJM2867F3-05 (TE1)		電源 IC	02
IC9	XZ287A00	IC	SN74LVC245APWR		ロジック IC	02
IC11-12	XZ287A00	IC	SN74LVC245APWR		ロジック IC	02
IC13	X6802A00	IC	ADV7401BSTZ-80		ビデオデコーダ	14
IC17	X8005A00	IC	SN74CBT3253CPWR		ロジック IC	04
IC18	X8059A00	IC	M24C02-WMN6TP		メモリ IC	02
IC21	X6866A00	IC	NJM2391DL1-33		電源 IC	04
IC22	XZ287A00	IC	SN74LVC245APWR		ロジック IC	02
IC24	X7907A00	IC	NJM2845DL1-18		電源 IC	04
IC25	X0199B00	IC	TC74VHC157FT (EL, K)		ロジック IC	01
IC26	XS775A00	IC	TC7SH04FU		ロジック IC フラット	01
IC27	X7762A00	IC	ABT1010		IC	14
IC32	X0199B00	IC	TC74VHC157FT (EL, K)		ロジック IC	01
IC33	X8531A00	IC	TC7WZ32FK		ロジック IC	01
PN1	V9637500	PIN	L=70 #18		スタイルピン	
Q1	WE834500	FET	UPA672T-T1-A		F E T	01
Q2	VQ986700	TR	2SC4081 T106		トランジスタ	01
Q3-6	VR936300	TR	2SA1576A T106		トランジスタ	01
Q8-9	VQ986700	TR	2SC4081 T106		トランジスタ	01
Q10	WE834500	FET	UPA672T-T1-A		F E T	01
Q11	VQ986700	TR	2SC4081 T106		トランジスタ	01
Q12	WE834500	FET	UPA672T-T1-A		F E T	01
Q13-14	VQ986700	TR	2SC4081 T106		トランジスタ	01
R221-223	VU319300	R. MTL. FLM	1.5Ω 2W		金属被膜抵抗	
R260-261	VP939500	R. MTL. FLM	1Ω 1W		金属被膜抵抗	01
R262-264	WB784700	R. MTL. FLM	6.8Ω 1W		金属被膜抵抗	01
ST1-2	V4040500	SCR. TERM	M3		スクリュー/ターミナル	01
XL1	VZ772700	RSNR. CRY	28.63636MHz		水晶振動子	03
XL2	WH625000	RSNR. CRY	27MHz		水晶振動子	03

* New Parts * 新規部品

• OVERALL ASS'Y



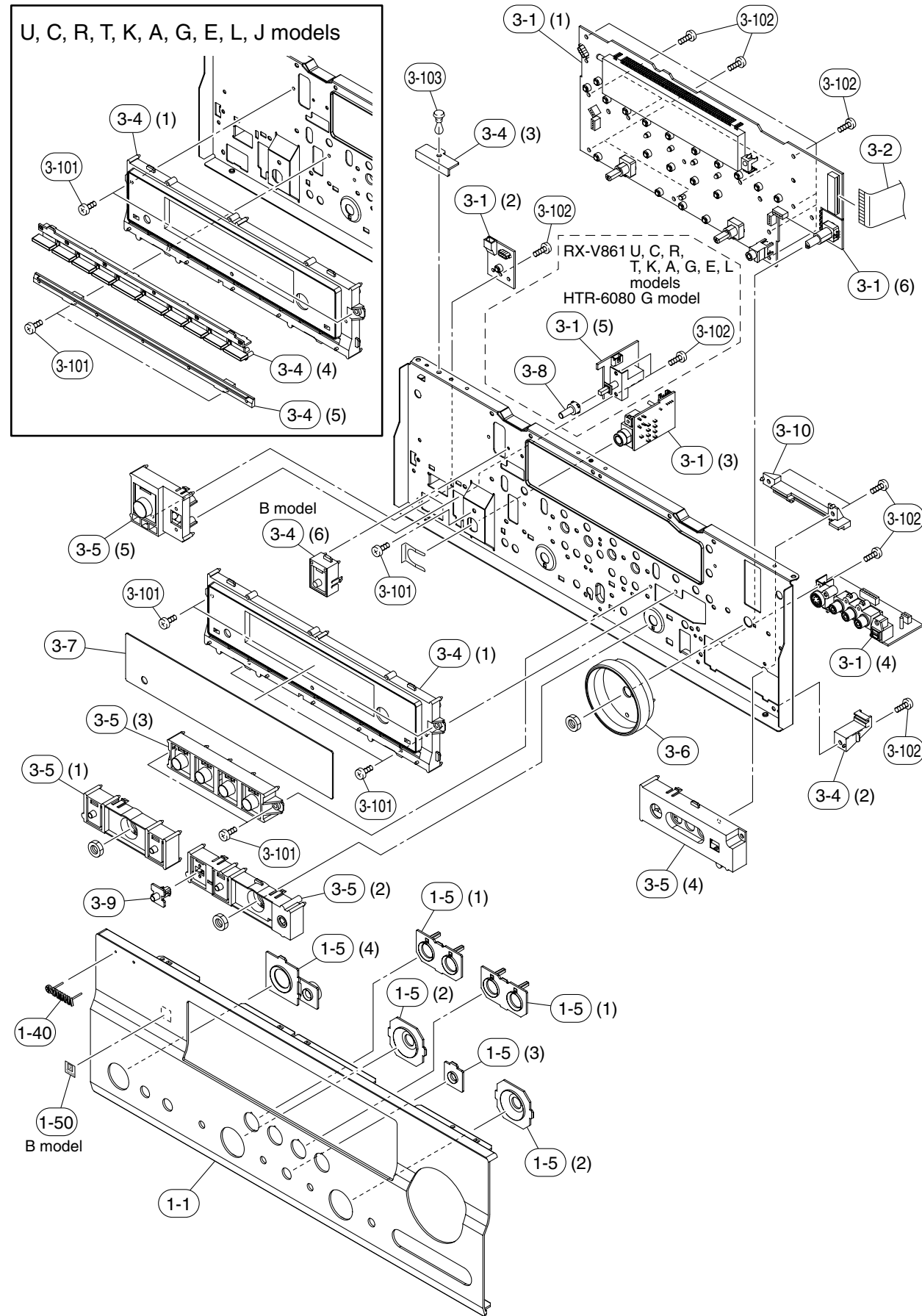
Ref No.	Part No.	Description	Remarks	Markets	部 品 名	ランク	
*	5	WJ718500	P.C.B. ASS'Y	DSP	JRTKABGEL	P C B D S P	
*	5	WJ718600	P.C.B. ASS'Y	DSP	V861 UC	P C B D S P	
*	5	WJ718700	P.C.B. ASS'Y	DSP	6080 UC	P C B D S P	
*	6	WJ719000	P.C.B. ASS'Y	VIDEO	J	P C B ビデオ	
*	6	WJ719100	P.C.B. ASS'Y	VIDEO	V861 UC	P C B ビデオ	
*	6	WJ719900	P.C.B. ASS'Y	VIDEO	6080 UC	P C B ビデオ	
*	6	WJ719200	P.C.B. ASS'Y	VIDEO	R	P C B ビデオ	
*	6	WJ719300	P.C.B. ASS'Y	VIDEO	T	P C B ビデオ	
*	6	WJ719400	P.C.B. ASS'Y	VIDEO	K	P C B ビデオ	
*	6	WJ719500	P.C.B. ASS'Y	VIDEO	A	P C B ビデオ	
*	6	WJ719600	P.C.B. ASS'Y	VIDEO	B	P C B ビデオ	
*	6	WJ719700	P.C.B. ASS'Y	VIDEO	V861 GE	P C B ビデオ	
*	6	WK437100	P.C.B. ASS'Y	VIDEO	6080 G	P C B ビデオ	
*	6	WJ719800	P.C.B. ASS'Y	VIDEO	L	P C B ビデオ	
*	7	WJ716600	P.C.B. ASS'Y	FUNCTION	J	P C B ファンクション	
*	7	WJ716700	P.C.B. ASS'Y	FUNCTION	V861 UC	P C B ファンクション	
*	7	WJ717500	P.C.B. ASS'Y	FUNCTION	6080 UC	P C B ファンクション	
*	7	WJ716800	P.C.B. ASS'Y	FUNCTION	R	P C B ファンクション	
*	7	WJ716900	P.C.B. ASS'Y	FUNCTION	T	P C B ファンクション	
*	7	WJ717000	P.C.B. ASS'Y	FUNCTION	K	P C B ファンクション	
*	7	WJ717100	P.C.B. ASS'Y	FUNCTION	A	P C B ファンクション	
*	7	WJ717200	P.C.B. ASS'Y	FUNCTION	B	P C B ファンクション	
*	7	WJ717300	P.C.B. ASS'Y	FUNCTION	GE	P C B ファンクション	
*	7	WJ717400	P.C.B. ASS'Y	FUNCTION	L	P C B ファンクション	
*	8	WJ721000	P.C.B. ASS'Y	HDMI		P C B H D M I	
*	14	WB877200	AM/FM TUNER	FAE381-J07F	J	AM/FMチューナー	
*	14	WB877300	AM/FM TUNER	FAE381-A07F	UCRTL	AM/FMチューナー	
*	14	WB424100	AM/FM TUNER	ENG07711Q	K	AM/FMチューナー	12
*	14	WB877400	AM/FM TUNER	FAE481-E07F	AGE	AM/FMチューナー	
*	15	X8671A00	POWER TRANSFORMER		J	電源トランス	
*	15	X8672A00	POWER TRANSFORMER		UC	電源トランス	
*	15	X8673A00	POWER TRANSFORMER		RL	電源トランス	
*	15	X8674A00	POWER TRANSFORMER		TK	電源トランス	
*	15	X8675A00	POWER TRANSFORMER		A	電源トランス	
*	15	X8676A00	POWER TRANSFORMER		BGE	電源トランス	
*	16	WB211800	POWER CABLE	1.8m	J	電源コード	
*	16	V9293500	POWER CABLE	2m	UC	電源コード	
*	16	WC992700	POWER CABLE	2m	R	電源コード	
*	16	WB120600	POWER CABLE	2m	T	電源コード	
*	16	WC753000	POWER CABLE	2m	K	電源コード	
*	16	WC743700	POWER CABLE	2m	A	電源コード	
*	16	WB212200	POWER CABLE	2m	B	電源コード	
*	16	V9293600	POWER CABLE	2m	GEL	電源コード	
*	17	V2438700	CORD STOPPER	10P1		コードストッパー	02
*	25	MF113140	FLEXIBLE FLAT CABLE	13P 140mm P=1.25		カード電線	04
*	26	MF132060	FLEXIBLE FLAT CABLE	32P 60mm P=1.25		カード電線	
*	27	MFA22080	FLEXIBLE FLAT CABLE	22P 80mm P=1.0		カード電線	
*	28	MF124100	FLEXIBLE FLAT CABLE	24P 100mm P=1.25		カード電線	
*	29	MF125100	FLEXIBLE FLAT CABLE	25P 100mm P=1.25		カード電線	02
*	30	MF128180	FLEXIBLE FLAT CABLE	28P 180mm P=1.25		カード電線	
*	31	MF113400	FLEXIBLE FLAT CABLE	13P 400mm P=1.25		カード電線	
*	50	VU590000	BINDING TIE	CBTD001B	JUCRKABGEL	インシュロックタイ	01
*	50	WB408000	BINDING TIE	L=100	T	インシュロックタイ	
*	101	WG740700	TOP COVER	GD	GD	トップカバー	11
*	101	WG740600	TOP COVER	BL	BL	トップカバー	
*	101	WG740800	TOP COVER	TI	TI	トップカバー	
*	103	WJ177200	REAR PANEL	AX861	J	リヤパネル	
*	103	WJ176300	REAR PANEL	V861	UC	リヤパネル	
*	103	WJ177300	REAR PANEL	6080	UC	リヤパネル	

* New Parts * 新規部品

Ref No.	Part No.	Description	Remarks	Markets	部 品 名	ランク	
*	103	WJ176400	REAR PANEL	V861	R	リヤパネル	
*	103	WJ176500	REAR PANEL	V861	T	リヤパネル	
*	103	WJ176600	REAR PANEL	V861	K	リヤパネル	
*	103	WJ176700	REAR PANEL	V861	A	リヤパネル	
*	103	WJ176800	REAR PANEL	AX861SE	B	リヤパネル	
*	103	WJ176900	REAR PANEL	V861	GE	リヤパネル	
*	103	WK415900	REAR PANEL	6080	G	リヤパネル	
*	103	WJ177000	REAR PANEL	V861	L	リヤパネル	
*	120	V0042500	LEG	D60xH21	GD	レッグ	03
*	120	WE622000	LEG	D60xH21	GD, TI	レッグ	
*	120	VS025000	LEG	D60xH21	BL, TI	レッグ	02
*	121	WJ181400	KNOB D50	VOLUME	GD	ノブD 5 0	
*	121	WJ181300	KNOB D50	VOLUME	BL	ノブD 5 0	
*	121	WJ181500	KNOB D50	VOLUME	TI	ノブD 5 0	
*	122	WJ182100	KNOB D20	PROGRAM/INPUT	GD	ノブD 2 0	02
*	122	WJ182000	KNOB D20	PROGRAM/INPUT	BL	ノブD 2 0	
*	122	WJ182200	KNOB D20	PROGRAM/INPUT	TI	ノブD 2 0	
*	125	WJ589700	SHEET TOP			シート トップ	
*	126	WJ053800	RIVET TOP		TKABGE	リベット トップ	
*	126	WJ323900	RIVET TOP		KABGE	リベット トップ	
*	131	WK437600	PLATE SIDE		T	リベット トップ	
*	131	WK437500	PLATE SIDE		GD	プレートサイド	
*	131	WK437700	PLATE SIDE		BL	プレートサイド	
*	131	WK437700	PLATE SIDE		TI	プレートサイド	
*	138	V3198100	DAMPER	90x40x3.5		ダンパー	01
*	139	WC879000	DAMPER	M15/6.5 t=6	JUCRKABGEL	ダンパー	
*	139	WB484700	DAMPER	M15/6.5 t=6	T	ダンパー	
*	155	V0368600	PUSH RIVET	P3555-B		プッシュリベット	01
*	160	WE774100	BIND HEAD BONDING B-T. SCREW	3x8 MFZN2B3		ボンディングBタイトネジ	01
*	163	WE774300	BIND HEAD B-TIGHT SCREW	3x8 MFZN2W3		バインドBタイトネジ	01
*	167	WF002600	PW HEAD B-TIGHT SCREW	3x8 MFZN2W3		PWヘッドBタイトネジ	01
*	168	WH010900	SCREW IC	3x20 MFZN2W3		スクリュー IC	
*	169	VK173200	SCREW TRANSISTOR	3x15 SP MFC2		スクリュー-T R	01
*	170	WE774700	BIND HEAD S-TIGHT SCREW	4x10 MFZN2W3		バインドSタイトネジ	01
*	171	VD069600	PW HEAD S-TIGHT SCREW	4x8-10 MFN133	GD, TI	PWヘッドSタイトネジ	01
*	171	VH313200	PW HEAD S-TIGHT SCREW	4x8-10 MFN13BL	BL	PWヘッドSタイトネジ	01
*	172	WE200400	DISH HEAD B-TIGHT SCREW	3x6 MFN133	GD, TI	DISH Bタイトネジ	01
*	172	WE200500	DISH HEAD B-TIGHT SCREW	3x6 MFN13BL	BL	DISH Bタイトネジ	01
*	176	AA627310	GROUND TERMINAL			GNDターミナル	01
*	180	V6742300	DAMPER	3/30/60		ダンパー	
*	181	WK020500	DAMPER	2x15x40		ダンパー	01
*	200	WJ194500	REMOTE CONTROL	RAV327	JRTAL	リモコン	
*	200	WJ194400	REMOTE CONTROL	RAV326	UC	リモコン	
*	200-1	AAX76600	BATTERY COVER		UR76EC6103A	電池蓋	
*	201	WJ165600	REMOTE CONTROL	RAV364	KBGE	リモコン	
*	201-1	AAX59640	BATTERY COVER		3139 238 08051	電池蓋	02
*	202	V6267000	INDOOR FM ANTENNA	1.4m 1pc	JUCRL	F M簡易アンテナ	03
*	202	WB212500	INDOOR FM ANTENNA	1.4m 1pc	T	F M簡易アンテナ	03
*	202	VQ147100	INDOOR FM ANTENNA	1.4m 1pc	KAGE	F M簡易アンテナ	02
*	203	VR248500	AM LOOP ANTENNA	1.0m 1pc	JUCRKAGEL	A Mループアンテナ	03
*	203	WG950500	AM LOOP ANTENNA	1.2m 1pc	T	A Mループアンテナ	
*	204	WJ264300	OPTIMIZER MICROPHONE	6m 1pc		オプティマイザーマイク	
*			BATTERY	R6, AA, UM-3 2pcs	JUCRTAL	単 3 乾電池	
*			BATTERY	R03, AAA, UM-4 4pcs	KBGE	単 4 乾電池	
*			SERVICE TOOLS				
*		AAX77610	RS232C CONVERSION ADAPTER			RS232C 変換アダプター	
*		MF109250	FLEXIBLE FLAT CABLE	9p 250mm P=1.25		カード電線	

* New Parts * 新規部品

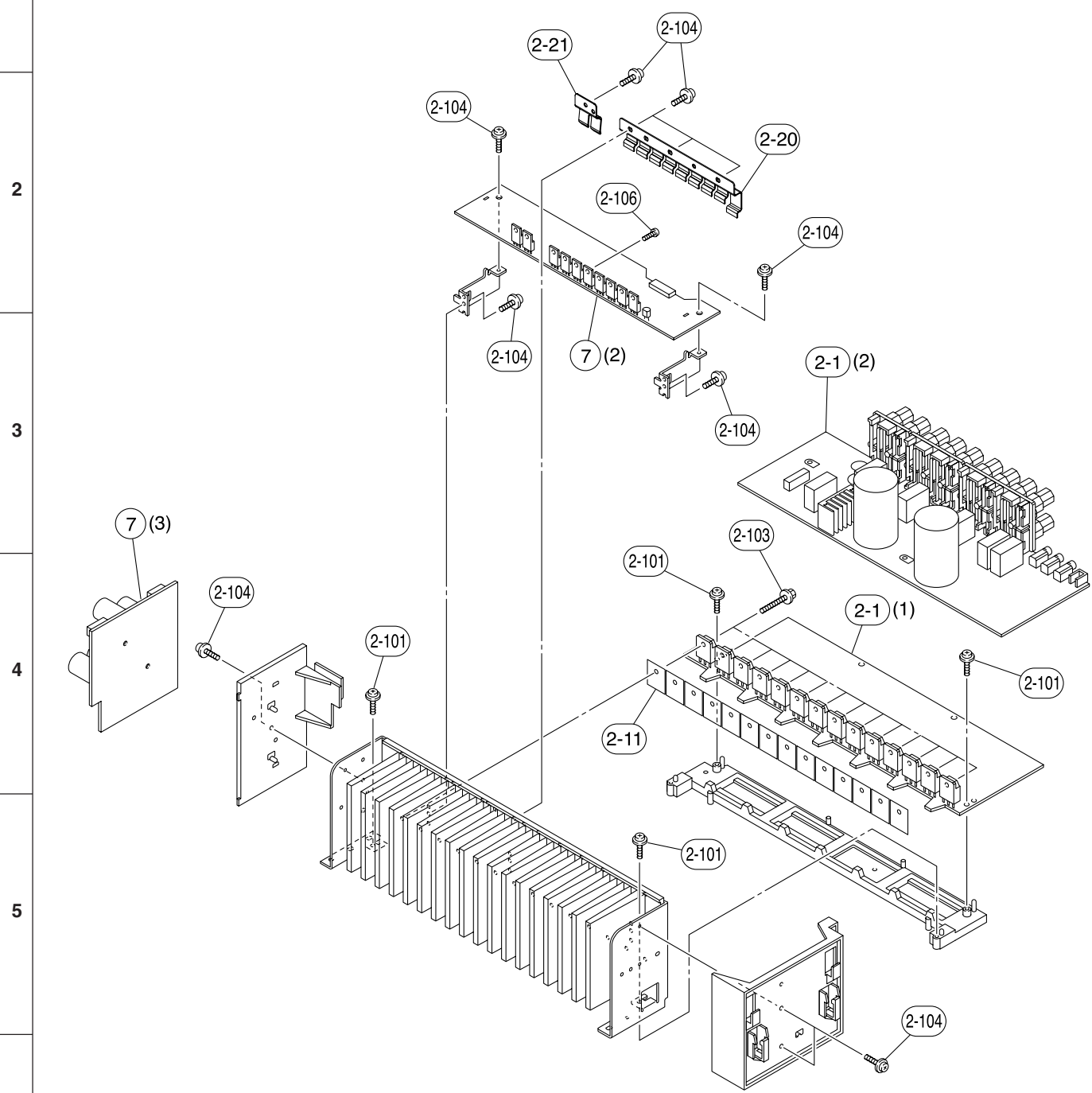
• FRONT PANEL and SUB CHASSIS UNIT



Ref No.	Part No.	Description	Remarks	Markets	部品名	ランク	
* 1-1	WJ180500	FRONT PANEL		AX861GD	J	フロントパネル	
* 1-1	WJ180400	FRONT PANEL		V861GD	RTK	フロントパネル	
* 1-1	WJ179900	FRONT PANEL		V861BL		フロントパネル	
* 1-1	WJ180800	FRONT PANEL		V861TI	CRTGEL	フロントパネル	
* 1-1	WJ180900	FRONT PANEL		AX861SETI	B	フロントパネル	
* 1-1	WJ180000	FRONT PANEL		6080BL		フロントパネル	
* 1-1	WK438500	FRONT PANEL		6080TI		フロントパネル	
* 1-5	WJ183500	ESCUTCHEON ASS'Y		GD		エスカッションASSY	
* 1-5	WJ183400	ESCUTCHEON ASS'Y		BL		エスカッションASSY	
* 1-5	WJ183600	ESCUTCHEON ASS'Y		TI		エスカッションASSY	
* 1-40	V6034200	EMBLEM		GD, 6080BL		エンブレム	03
* 1-40	V6034100	EMBLEM		V861BL, TI		エンブレム	03
* 1-50	WE765700	BADGE	UK TUNED		B	バッジ	
* 3-1	WJ721300	P.C.B. ASS'Y	OPERATION		J	P C B オペレーション	
* 3-1	WJ721400	P.C.B. ASS'Y	OPERATION	V861	UC	P C B オペレーション	
* 3-1	WJ721300	P.C.B. ASS'Y	OPERATION	6080	UC	P C B オペレーション	
* 3-1	WJ721500	P.C.B. ASS'Y	OPERATION		RTKAGEL	P C B オペレーション	
* 3-1	WJ721600	P.C.B. ASS'Y	OPERATION		B	P C B オペレーション	
* 3-2	MF126400	FLEXIBLE FLAT CABLE	26P 400mm P=1.25			カード電線	
* 3-4	WJ183200	SUBPANEL			JUCRTKAGEL	サブパネル	
* 3-4	WJ183300	SUBPANEL			B	サブパネル	
* 3-5	WJ182900	BUTTON CASE		AX861GD	J	ボタンケース	
* 3-5	WJ182800	BUTTON CASE		V861GD	RTK	ボタンケース	
* 3-5	WJ182500	BUTTON CASE		V861BL		ボタンケース	
* 3-5	WJ182700	BUTTON CASE		6080BL		ボタンケース	
* 3-5	WJ183000	BUTTON CASE		V861TI, 6080TI	CRTGEL	ボタンケース	
* 3-5	WJ183100	BUTTON CASE		AX761SETI	B	ボタンケース	
* 3-6	WG375200	ESCUTCHEON VOL		GD		エスカッションVOL	02
* 3-6	WG375100	ESCUTCHEON VOL		BL		エスカッションVOL	
* 3-6	WG375300	ESCUTCHEON VOL		TI		エスカッションVOL	
* 3-7	WJ184500	SHEET WINDOW			J	シートウインドウ	04
* 3-7	WJ184200	SHEET WINDOW	XM	V861	UC	シートウインドウ	
* 3-7	WJ184700	SHEET WINDOW	XM	6080	UC	シートウインドウ	
* 3-7	WJ184300	SHEET WINDOW			RTKAGEL	シートウインドウ	
* 3-7	WJ184400	SHEET WINDOW			B	シートウインドウ	
* 3-8	V6876200	BUTTON D5		V861GD	RTK	ボタン/D5	
* 3-8	V6876100	BUTTON D5		V861BL		ボタン/D5	
* 3-8	V8540300	BUTTON D5		V861TI, 6080TI		ボタン/D5	
* 3-9	WJ184100	LENS BUTTON				ボタンレンズ	01
* 3-10	WJ917000	SUPPORT AUX		GD		サポートAUX	
* 3-10	WJ916900	SUPPORT AUX		BL		サポートAUX	
* 3-10	WJ917100	SUPPORT AUX		TI		サポートAUX	
* 3-101	WE774300	BIND HEAD B-TIGHT SCREW	3x8 MFZN2W3			バインドBタイトネジ	01
* 3-102	WE774800	BIND HEAD P-TIGHT SCREW	3x8 MFZN2W3			バインドPタイトネジ	01
* 3-103	VQ368600	PUSH RIVET	P3555-B			プッシュリベット	01

* New Parts * 新規部品

1 • AMP UNIT



2

3

4

5

6

7

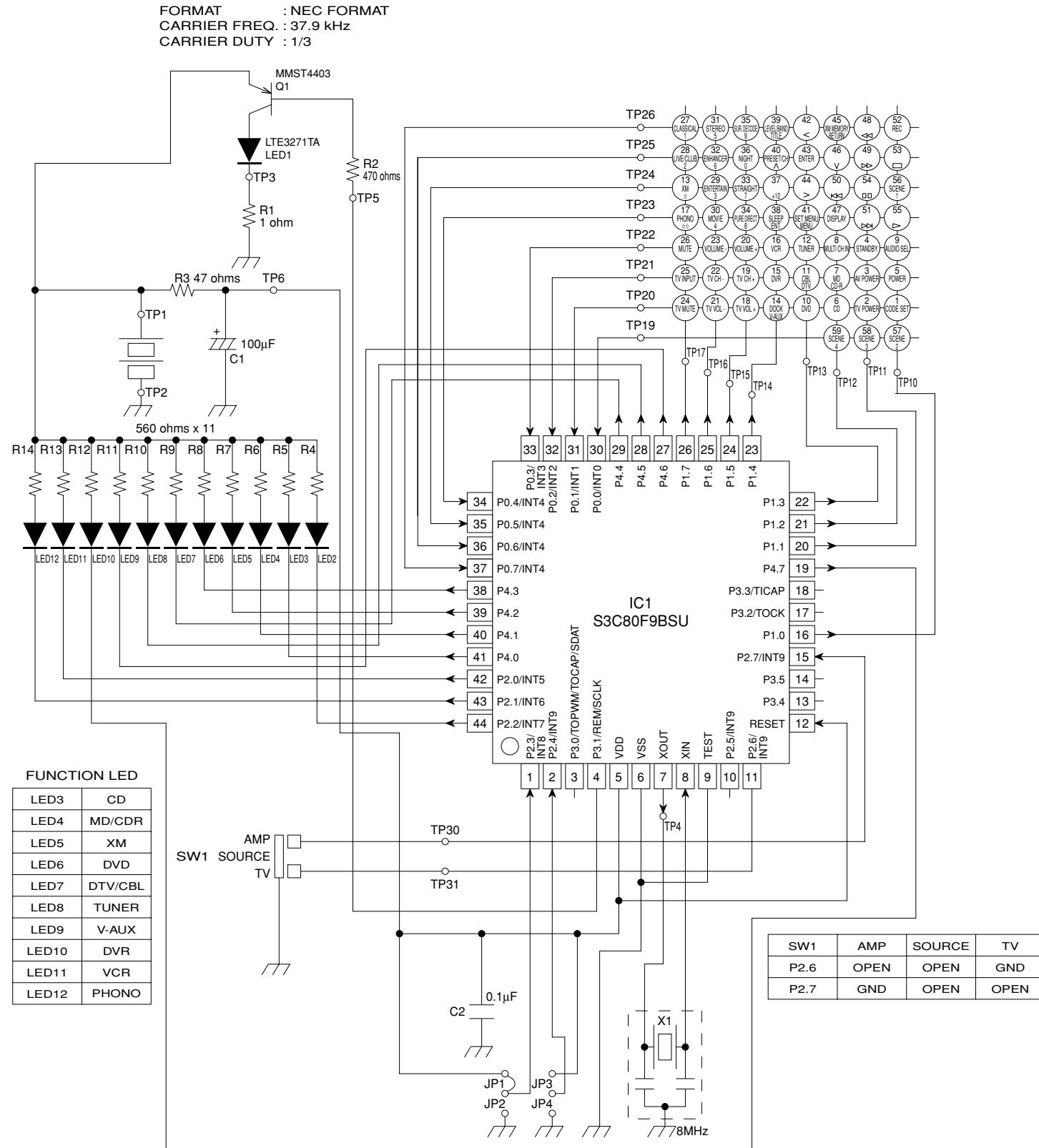
Ref No.	Part No.	Description	Remarks	Markets	部品名	ランク
*	2-1	WJ715900 P.C.B. ASS'Y	MAIN		J	PCB メイン
*	2-1	WJ716000 P.C.B. ASS'Y	MAIN	V861	UCRTA	PCB メイン
*	2-1	WJ716300 P.C.B. ASS'Y	MAIN	6080	UC	PCB メイン
*	2-1	WJ716100 P.C.B. ASS'Y	MAIN		KGEL	PCB メイン
*	2-1	WJ716200 P.C.B. ASS'Y	MAIN		B	PCB メイン
	2-11	WE807300 RADIATION SHEET	19x24			放熱シート 01
	2-20	WG440600 SUPPORT TR-8				サポートTR-8 04
	2-21	WJ402000 SUPPORT TR-2				サポートTR-2 01
	2-101	VB770200 PW HEAD P-TIGHT SCREW	3x10-8 MFC2			PWヘッドPタイトネジ 01
	2-103	VK173200 SCREW TRANSISTOR	3x15 SP MFC2			スクリューTR 01
	2-104	WF002600 PW HEAD B-TIGHT SCREW	3x8 MFZN2W3			PWヘッドBタイトネジ 01
	2-106	WE774300 BIND HEAD B-TIGHT SCREW	3x8 MFZN2W3			バインドBタイトネジ 01
*	7	WJ716600 P.C.B. ASS'Y	FUNCTION		J	PCB ファンクション
*	7	WJ716700 P.C.B. ASS'Y	FUNCTION	V861	UC	PCB ファンクション
*	7	WJ717500 P.C.B. ASS'Y	FUNCTION	6080	UC	PCB ファンクション
*	7	WJ716800 P.C.B. ASS'Y	FUNCTION		R	PCB ファンクション
*	7	WJ716900 P.C.B. ASS'Y	FUNCTION		T	PCB ファンクション
*	7	WJ717000 P.C.B. ASS'Y	FUNCTION		K	PCB ファンクション
*	7	WJ717100 P.C.B. ASS'Y	FUNCTION		A	PCB ファンクション
*	7	WJ717200 P.C.B. ASS'Y	FUNCTION		B	PCB ファンクション
*	7	WJ717300 P.C.B. ASS'Y	FUNCTION		GE	PCB ファンクション
*	7	WJ717400 P.C.B. ASS'Y	FUNCTION		L	PCB ファンクション

* New Parts * 新規部品

REMOTE CONTROL

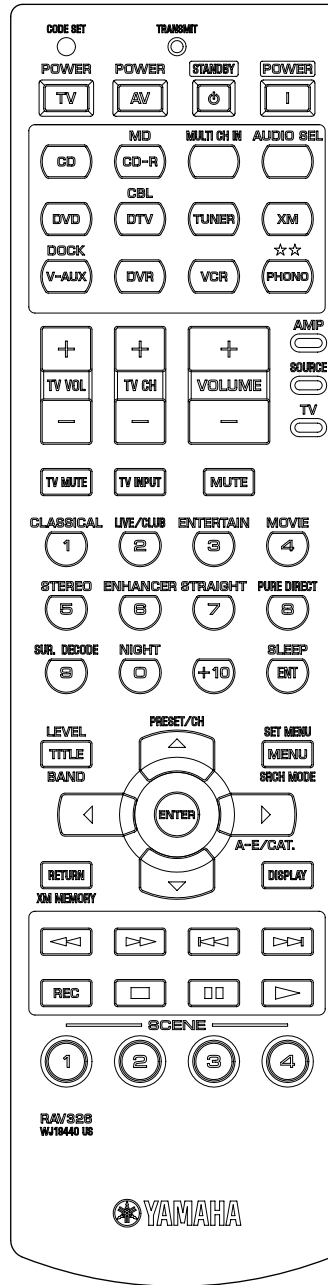
● RAV326 (U, C models), RAV327 (R, T, A, L, J models)

• SCHEMATIC DIAGRAM

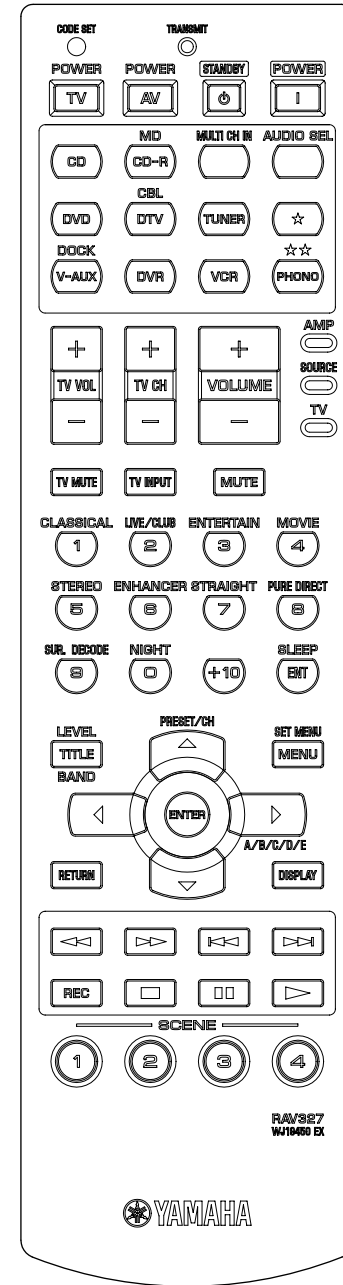


• PANELS

RAV326 (U, C models)

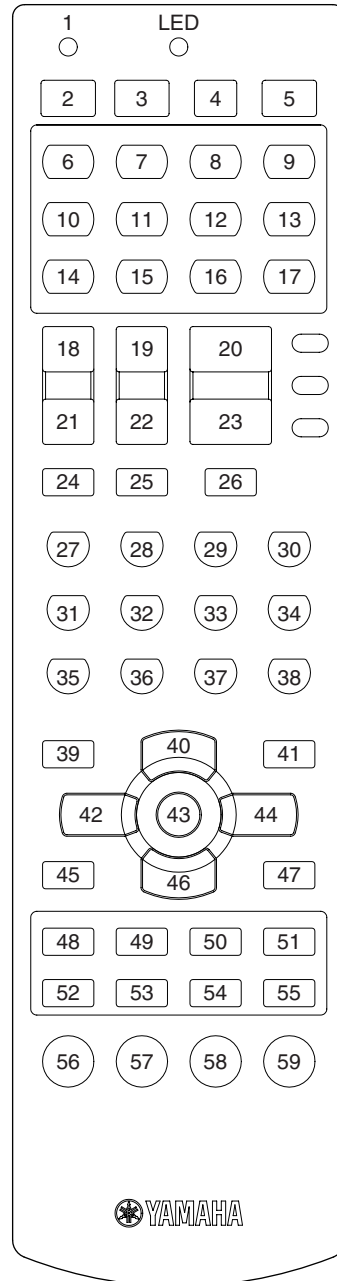


RAV327 (R, T, A, L, J models)



	JP1	JP2	JP3	JP4
RAV326	ON	OFF	OFF	OFF
RAV327	OFF	ON	OFF	OFF
P2.3	VDD	GND	---	---

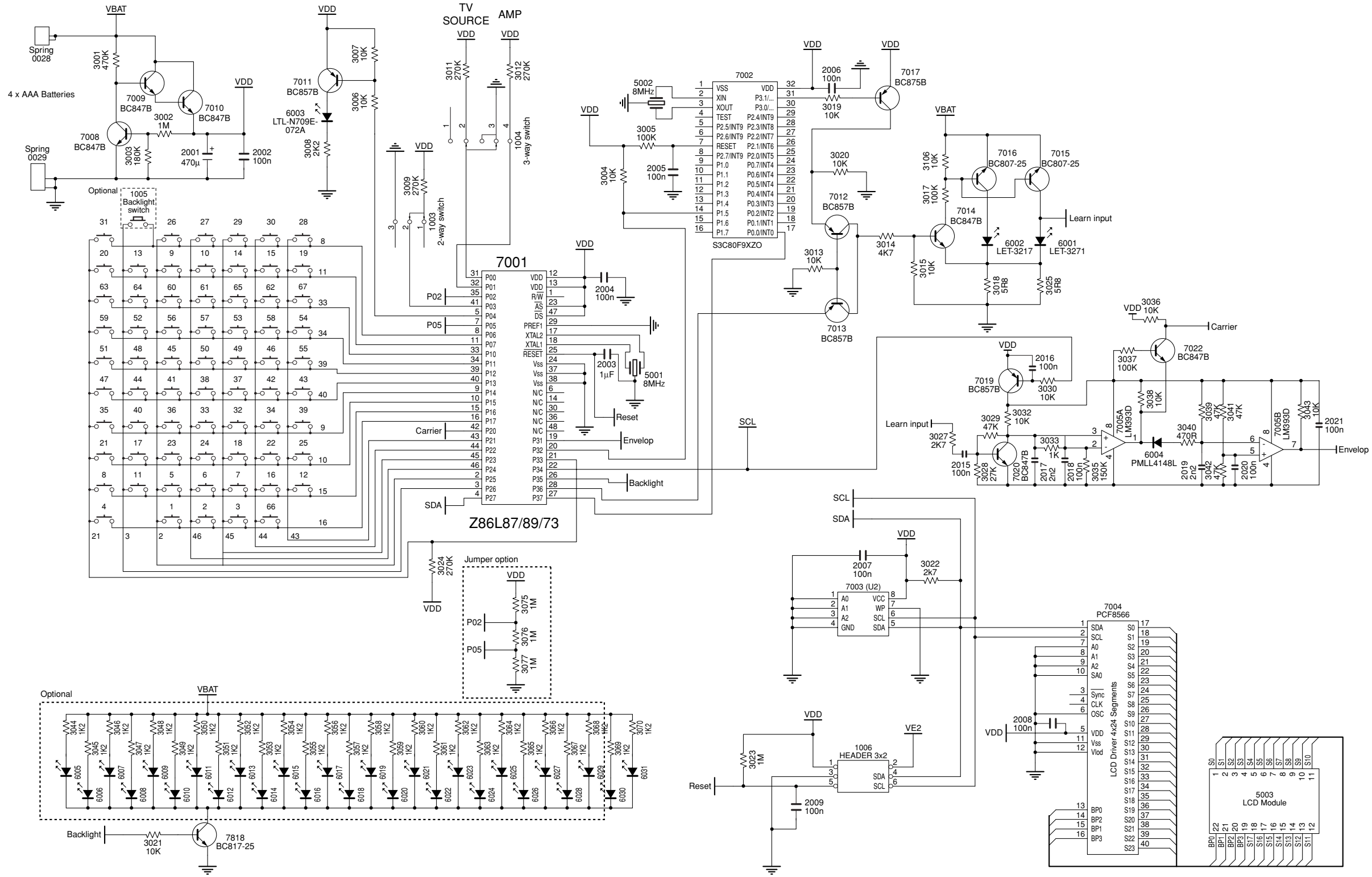
1 • KEY LAYOUT



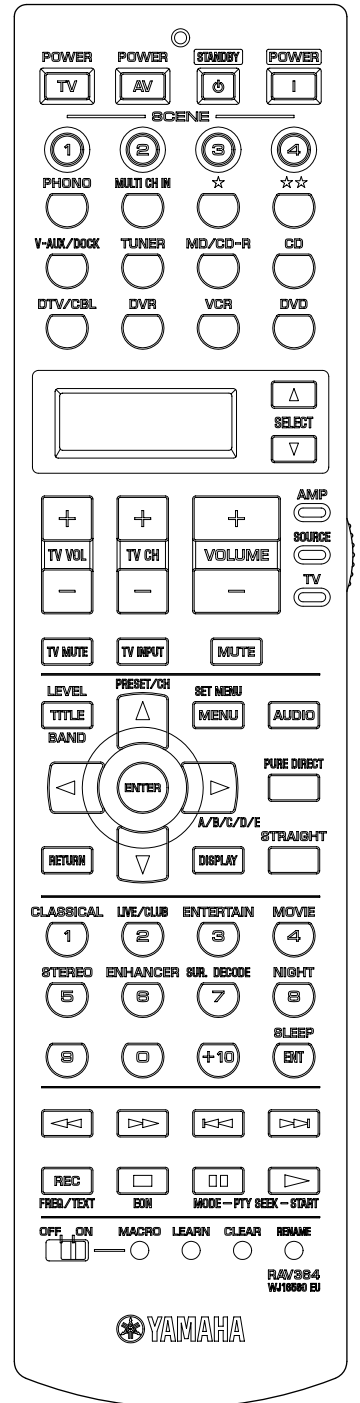
2 • KEY CODE

No.	Label	Common	AMP library code				Function													
			ID1		ID2															
			MAIN	ZONE2	MAIN	ZONE2														
-	LED	-	-	O (10sec)	-	O (10sec)	Linked with IR signal													
1	CODE SET	-	-	-	-	-	Change to PRESET mode													
4	STANDBY	O	7E-7F	7E-BB	7D-B1	7D-63	Power STANDBY													
5	POWER	O	7E-7E	7E-BA	7D-B2	7D-64	Power ON													
								Library: All device codes can be entered into all modes.												
								default												
								Library	brand											
								CD	62000											
								CD-R	71292											
6	CD	O	7A-15	7A-D1	7D-87	7D-67	Output IR signal & change Device mode													
7	MD/CD-R	O	7A-C9	7A-CF	7D-86	7D-92														
8	MULTI CH IN	O	7A-87	-	7D-8C	-	Output IR signal													
9	AUDIO SEL	O	7A-C3	-	7D-80	-	Select audio													
10	DVD	O	7A-C1	7A-CD	7D-97	7D-6F	Output IR signal & change Device mode													
11	DTV/CBL	O	7A-54	7A-D9	7D-84	7D-6C														
12	TUNER	O	7A-16	7A-D2	7D-89	7D-66	Output IR signal & change Device mode													
13	XM (RAV326)	O	7A-B4	7A-B8	7D-29	7D-2F														
	☆ (RAV327)	O	-	-	-	-	Output IR signal & change Device mode													
14	V-AUX/DOCK	O	7A-55	7A-D8	7D-8A	7D-68	Output IR signal & change Device mode													
15	DVR	O	7A-13	7A-D7	7D-82	7D-6E														
16	VCR	O	7A-0F	7A-D6	7D-81	7D-6D	Output IR signal & change Device mode													
17	PHONO	O	7A-14	7A-D0	7D-88	7D-65														
SW (AMP/SOURCE/TV)								SOURCE												
AMP								6	7	13		10	11	12	14	15	16	17	TV	
								CD	MD/CD-R	XM	☆	DVD	DTV/CBL	TUNER	V-AUX/DOCK	DVR	VCR	PHONO		
2	TV POWER	-	-	-	-	-	(TV Power)	(TV Power)	(TV Power)	(TV Power)	(TV Power)	(TV Power)	(TV Power)	(TV Power)	(TV Power)	(TV Power)	(TV Power)	TV Power		
3	AV POWER	-	-	-	-	-	Power	Power	Power	Power	(VCR1 Power)	Power	Power	Power	Power	Power	(VCR1 Power)	(VCR1 Power)		
18	TV VOL. up	-	-	-	-	-	(TV VOL. up)	(TV VOL. up)	(TV VOL. up)	(TV VOL. up)	(TV VOL. up)	(TV VOL. up)	(TV VOL. up)	(TV VOL. up)	(TV VOL. up)	(TV VOL. up)	(TV VOL. up)	TV VOL. up		
19	TV CH up	-	-	-	-	-	(TV CH up)	(TV CH up)	(TV CH up)	(TV CH up)	(TV CH up)	(TV CH up)	(TV CH up)	(TV CH up)	(TV CH up)	(TV CH up)	(TV CH up)	TV CH up		
20	VOL. up	O	7A-1A	7A-DA	7D-8D	7D-70	VOL. up													
21	TV VOL. down	-	-	-	-	-	(TV VOL. down)	(TV VOL. down)	(TV VOL. down)	(TV VOL. down)	(TV VOL. down)	(TV VOL. down)	(TV VOL. down)	(TV VOL. down)	(TV VOL. down)	(TV VOL. down)	(TV VOL. down)	TV VOL. down		
22	TV CH down	-	-	-	-	-	(TV CH down)	(TV CH down)	(TV CH down)	(TV CH down)	(TV CH down)	(TV CH down)	(TV CH down)	(TV CH down)	(TV CH down)	(TV CH down)	(TV CH down)	TV CH down		
23	VOL. down	O	7A-1B	7A-DB	7D-8E	7D-71	VOL. down													
24	TV MUTE	-	-	-	-	-	(TV Mute)	(TV Mute)	(TV Mute)	(TV Mute)	(TV Mute)	TV Mute	(TV Mute)	(TV Mute)	(TV Mute)	(TV Mute)	(TV Mute)	TV Mute		
25	TV INPUT	-	-	-	-	-	(TV Input)	(TV Input)	(TV Input)	(TV Input)	(TV Input)	TV Input	(TV Input)	(TV Input)	(TV Input)	(TV Input)	(TV Input)	TV Input		
26	MUTE	O	7A-1C	7A-DC	7D-94	7D-72	MUTE													
27	CLASSICAL	-	7A-88	-	7D-D0	-	1	79-11	7F-91	7A-61	-	7C-94	1	7A-E5	7F01-01	048-001	1	1		
28	CLUB/LIVE	-	7A-89	-	7D-D1	-	2	79-12	7F-92	7A-62	-	7C-95	2	7A-E6	7F01-02	048-002	2	2		
29	ENTERTAIN	-	7A-8A	-	7D-D2	-	3	79-13	7F-93	7A-63	-	7C-96	3	7A-E7	7F01-03	048-003	3	3		
30	MOVIE	-	7A-8B	-	7D-D3	-	4	79-14	7F-94	7A-64	-	7C-97	4	7A-E8	7F01-04	048-004	4	4		
31	STEREO	-	7A-8C	-	7D-D4	-	5	79-15	7F-95	7A-65	-	7C-98	5	7A-E9	7F01-05	048-005	5	5		
32	ENHANCER	-	7A-94	-	7D-DC	-	6	79-16	7F-96	7A-66	-	7C-99	6	7A-EA	7F01-06	048-006	6	6		
33	STRAIGHT	-	7A-56	-	7D-C1	-	7	79-17	7F-97	7A-67	-	7C-9A	7	7A-EB	7F01-07	048-007	7	7		
34	PURE DIRECT	-	7A-DD	-	7D-C0	-	8	79-18	7F-98	7A-68	-	7C-9B	8	7A-EC	7F01-08	048-008	8	8		
35	SUR. DECODE	-	7A-8D	-	7D-D5	-	9	79-19	7F-99	7A-69	-	7C-9C	9	7A-B1	7F01-09	048-009	9	9		
36	NIGHT	-	7A-95	-	7D-DD	-	0/10	79-10	7F-90	7A-60	-	7C-93	0/10	7A-B2	7F01-0A	048-000	0/10	0/10		
37	-	-	-	-	-	-	+10	79-1A	7F-9A	-	-	7C-9D	-/11	-	7F01-0B	-	+10	-/11		
38	SLEEP	-	7A-57	-	7D-93	-	ENT/Title_index	79-0B	7F-8A	7A-BF	-	7C-9E	enter/12	7A-B3	7F01-0C	-	enter	enter/12		
39	LEVEL	-	7A-86	-	7D-95	-	TITLE	-	-	7A-70	-	7C-B1	-	7A-AE	7F01-0D	048-200	-	-		
40	Up	-	7A-9D	-	7D-9D	-	Up	-	-	7A-6A	-	7C-B4	-	7A-10	7F01-0E	048-088	VCR CH up	-		
41	SET MENU	-	7A-84	-	7D-C3	-	MENU/SRCH MODE	-	-	7A-6D	-	7C-B2	-	7A-AB	7F01-0F	048-084	-	-		
42	Left	-	7A-9F	-	7D-9F	-	Left/A-B	-	-	7A-6E	-	7C-B5	-	7A-AC	7F01-10	048-090	-	-		
43	ENTER	-	7A-DE	-	7D-56	-	Select/ENTER	-	-	7A-6F	-	7C-B8	-	7A-AD	7F01-11	048-092	-	-		
44	Right	-	7A-9E	-	7D-9E	-	Right/A-E	-	-	7A-6C	7A-06	7C-B6	-	7A-12	7F01-12	048-091	-	-		
45	RETURN	-	7A-AA	-	7D-B5	-	Return/XM MEMORY	-	-	7A-71	-	7C-B7	-	7A-AF	7F01-13	048-131	-	-		
46	Down	-	7A-9C	-	7D-9C	-	Down	-	-	7A-6B	-	7C-B3	-	7A-11	7F01-14	048-089	VCR CH down	-		
47	ON SCREEN	-	7A-C2	-	7D-C2	-	Display	79-0A	7F-9E	7A-72	-	7C-A6	Display	7A-B0	7F01-15	048-015	-	Display		
48	REW (Search)	-	-	-	-	-	REW	7A-0D	7F-88	-	7A-01	7C-86	(VCR1 Rew)	7A-A4	7F01-17	048-041	REW	(VCR1 Rew)		
49	FF (Search)	-	-	-	-	-	FF	7A-0C	7F-89	-	7A-02	7C-87	(VCR1 FF)	7A-A5	7F01-18	048-040	FF	(VCR1 FF)		
50	CHP/Skip-	-	-	-	-	-	Skip-	7A-0B	7F-86	-	7A-07	7C-B9	-	7A-A6	7F01-1B	048-033	-	-		
51	CHP/Skip+	-	-	-	-	-	Skip+	7A-0A	7F-87	-	7A-04	7C-BA	-	7A-A7	7F01-1C	048-032	-	-		
52	REC	-	-	-	-	-	REC/Disc Skip	7A-4F	REC	-	7A-04	7C-8B	(VCR1 REC)	-	7F01-16	048-055	REC	(VCR1 REC)		
53	Stop	-	-	-	-	-	Stop	7A-09	7F-84	-	7A-03	7C-85	(VCR1 Stop)	-	7F01-1D	048-046	Stop	(VCR1 Stop)		
54	Pause	-	-	-	-	-	Pause	7A-09	7F-83	-	-	7C-83	(VCR1 Pause)	-	7F01-1A	048-048	Pause	(VCR1 Pause)		
55	Play	-	-	-	-	-	Play	7A-08	7F-82	-	7A-00	7C-82	(VCR1 Play)	-	7F01-1E	048-044	Play	(VCR1 Play)		
56	SCENE1	O	7A-007F	7A-017E	7A-0C73	7A-0D72	Select SCENE													
57	SCENE2	O	7A-037C	7A-047B	7A-0F70	7A-106F														
58	SCENE3	O	7A-0679	7A-0778	7A-126D	7A-136C														
59	SCENE4	O	7A-0976	7A-0A75	7A-156A	7A-1669														

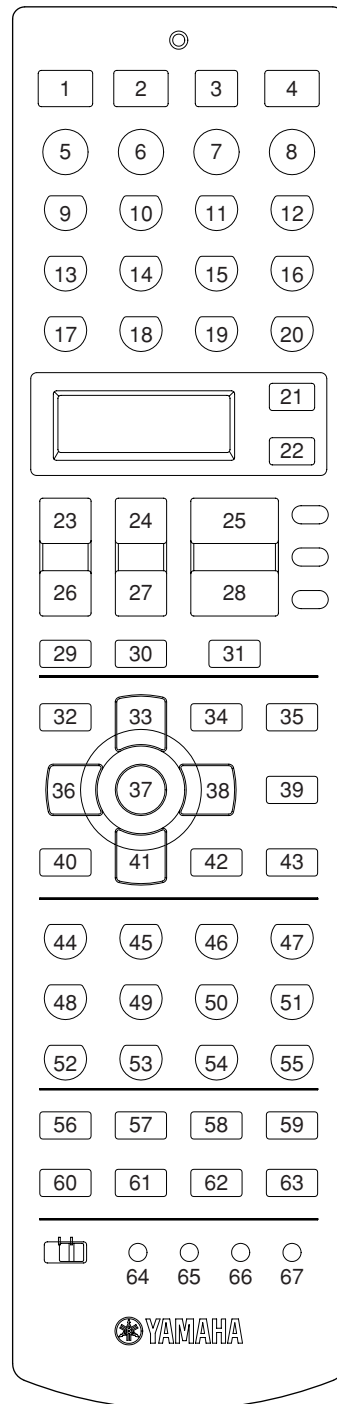
● RAV364 (K, B, G, E models)
 • SCHEMATIC DIAGRAM



• PANELS



1 • KEY LAYOUT



2 • KEY CODE

No.	Label	Area	Learn	Macro	Luminous	AMP library 2001 (default)				AMP library 2002				Function	LCD Display	LCD Display														
						MAIN	ZONE2	ZONE3	ALL	MAIN	ZONE2	ZONE3	ALL																	
-	LED	-	-	-	-	-	-	-	-	-	-	-	-	Linked with IR signal																
													OFF		ON		5 letters	3 letters	Library	Brand	Brand No.									
3	STANDBY	1	O	O	O	7E-7F	7E-BB	7A-EE	7A-1E	7D-B1	7D-63	7D-73	7D-91	Power STANDBY																
4	POWER on	1	O	O	O	7E-7E	7E-BA	7A-ED	7A-1D	7D-B2	7D-64	7D-74	7D-90	Power ON	Macro feature	Macro feature														
5	SCENE 1	1	O	-	O	7A-007F	7A-017E	7A-027D		7A-0C73	7A-0D72	7A-0E71		Output IR signal & Change device mode																
6	SCENE 2	1	O	-	O	7A-037C	7A-047B	7A-057A		7A-0F70	7A-106F	7A-116E		Output IR signal & Change device mode																
7	SCENE 3	1	O	-	O	7A-0679	7A-0778	7A-0877		7A-126D	7A-136C	7A-146B		Output IR signal & Change device mode																
8	SCENE 4	1	O	-	O	7A-0976	7A-0A75	7A-0B74		7A-156A	7A-1669	7A-1768		Output IR signal & Change device mode																
9	PHONO	1	O	O	-	7A-14	7A-D0	7A-F1		7D-88	7D-65	7D-75		Output IR signal & Change device mode	Macro feature & Change device mode	PHONO	PHO	TV	nothing	nothing										
10	MULTI CH INPUT	1	O	O	-		7A-87				7D-8C			Output IR signal & Change device mode	Macro feature & Change device mode	MULTI	MLT	DVD	YAMAHA	2100										
11	NET/USB LD	1	O	O	-	7F01-3F	7F01-40	7F01-41		7F01-42	7F01-43	7F01-44		Output IR signal & Change device mode	Macro feature & Change device mode	NET	NET	TUNER	YAMAHA	2607										
12	XM TAPE	1	O	O	-									Change device mode	Macro feature & Change device mode	LD	LD	LD	YAMAHA	2200										
13	V-AUX/DOCK	1	O	O	-	7A-B4	7A-B8	7A-B9		7D-29	7D-2F	7D-30		Output IR signal & Change device mode	Macro feature & Change device mode	XM	XM	TUNER	YAMAHA	2604										
14	TUNER	1	O	O	-									Change device mode	Macro feature & Change device mode	TAPE	TAP	TAPE	YAMAHA	2700										
15	MD/CD-R	1	O	O	-	7A-55	7A-D8	7A-F0		7D-8A	7D-68	7D-78		Output IR signal & Change device mode	Macro feature & Change device mode	V-AUX	AUX	TUNER	YAMAHA	2606										
16	CD	1	O	O	-	7A-16	7A-D2	7A-F3		7D-89	7D-66	7D-76		Output IR signal & Change device mode	Macro feature & Change device mode	TUNER	TUN	TUNER	YAMAHA	2602										
17	DTV/CBL	1	O	O	-	7A-C9	7A-CF			7D-86	7D-92			Output IR signal & Change device mode	Macro feature & Change device mode	CD-R	CDR	CD-R	YAMAHA	2400										
18	DVR	1	O	O	-	7A-15	7A-D1	7A-F2		7D-87	7D-67	7D-77		Output IR signal & Change device mode	Macro feature & Change device mode	CD	CD	CD	YAMAHA	2300										
19	VCR	1	O	O	-	7A-54	7A-D9	7A-F6		7D-84	7D-6C	7D-7C		Output IR signal & Change device mode	Macro feature & Change device mode	DTV	DTV	TV	nothing	nothing										
20	DVD	1	O	O	-	7A-13	7A-D7	7A-FA		7D-82	7D-6E	7D-7E		Output IR signal & Change device mode	Macro feature & Change device mode	DVR	DVR	DVR	YAMAHA	2807										
21	SELECT up	1	-	-	O									Select device mode (up)	Macro feature & Change device mode	VCR	VCR	VCR	nothing	nothing										
22	SELECT down	1	-	-	O									Select device mode (down)	Macro feature & Change device mode	DVD	DVD	DVD	YAMAHA	2100										
													SOURCE												AMP					
													20	19	18	17	16	15	14	13	12	11	10	9	Option					
													DVD	VCR	DVR	DTV/CBL	CD	MD/CD-R	TUNER	V-AUX/DOCK	TAPE	XM	LD	NET/USB	MULTI	PHONO	OPTN			
1	TV POWER	16	O	-	O					O				(TV Power)	(TV Power)	(TV Power)	Power	(TV Power)	(TV Power)	(TV Power)	(TV Power)	(TV Power)	(TV Power)	(TV Power)	(TV Power)	(TV Power)	Power			
2	AV POWER	16	O	-	O					O				Power	Power	Power	DVR Power	Power	Power	Power	Power	Power	Power	Power	DVR Power	(device)	(device)			
23	TV VOL up	16	O	-	O	O	7A-73	7A-77		O	7A-73	7A-77		(TVVOL up)	(TVVOL up)	(TVVOL up)	TWVOL up	(TVVOL up)	(TVVOL up)	(TVVOL up)	(TVVOL up)	(TVVOL up)	(TVVOL up)	(TVVOL up)	(TVVOL up)	(TVVOL up)	(TVVOL up)	(TVVOL up)		
24	CH up	16	O	-	O	O	7A-75	7A-79		O	7A-75	7A-79		(TV CH up)	(TV CH up)	(TV CH up)	CH up	(TV CH up)	(TV CH up)	(TV CH up)	(TV CH up)	(TV CH up)	(TV CH up)	(TV CH up)	(TV CH up)	(TV CH up)	(TV CH up)	(TV CH up)		
25	VOL up	1	O	-	O	7A-1A	7A-DA	7A-FD		7D-8D	7A-70	7D-20																		
26	TV VOL down	16	O	-	O	O	7A-74	7A-78		O	7A-74	7A-78		(TVVOL down)	(TVVOL down)	(TVVOL down)	TWVOL down	(TVVOL down)	(TVVOL down)	(TVVOL down)	(TVVOL down)	(TVVOL down)	(TVVOL down)	(TVVOL down)	(TVVOL down)	(TVVOL down)	(TVVOL down)	(TVVOL down)		
27	CH down	16	O	-	O	O	7A-76	7A-7A		O	7A-76	7A-7A		(TV CH down)	(TV CH down)	(TV CH down)	CH down	(TV CH down)	(TV CH down)	(TV CH down)	(TV CH down)	(TV CH down)	(TV CH down)	(TV CH down)	(TV CH down)	(TV CH down)	(TV CH down)	(TV CH down)		
28	VOL down	1	O	-	O	7A-1B	7A-DB	7A-FE		7D-8E	7D-71	7D-21																		
29	TV mute	16	O	-	O					O				(TV mute)	(TV mute)	(TV mute)	TV mute	(TV mute)	(TV mute)	(TV mute)	(TV mute)	(TV mute)	(TV mute)	(TV mute)	(TV mute)	(TV mute)	(TV mute)	TV mute		
30	TV input	16	O	-	O					O				(TV input)	(TV input)	(TV input)	TV input	(TV input)	(TV input)	(TV input)	(TV input)	(TV input)	(TV input)	(TV input)	(TV input)	(TV input)	(TV input)	TV input		
31	MUTE	1	O	-	O	7A-1C	7A-DC	7A-FF		7D-94	7D-72	7D-22																		
32	TITLE	16	O	-	O									Title	-	Title	Title	-	-	BAND	BAND	-	BAND	-	BAND	Title	Title	LEVEL	Title	
33	Up	16	O	-	O									Menu up	CH up	Menu up	Menu up	-	-	PRESET+	PRESET+	-	PRESET+	-	PRESET+	Menu up	Menu up	Menu up	Menu up	
34	MENU	16	O	-	O									MENU	-	MENU	MENU	-	-	SRCH MODE	SRCH MODE	-	SRCH MODE	-	SRCH MODE	MENU	MENU	MENU	MENU	
35	AUDIO	16	O	-	O									Audio	-	Audio	-	-	-	-	-	-	-	Audio	-	Audio	-	AUDIO	(device)	
36	Left	16	O	-	O									Menu left	-	Menu left	Menu left	-	-	A-B, CAT.	A-B, CAT.	-	A-B, CAT.	-	A-B, CAT.	Menu left	Menu left	Menu left	Menu left	
37	Enter	16	O	-	O									Menu enter	-	Menu enter	Menu select	-	-	ENTER	ENTER	-	ENTER	-	ENTER	Menu enter	Menu select	Menu select	Menu select	
38	Right	16	O	-	O									Menu right	-	Menu right	Menu right	-	-	A/E, CATE+	A/E, CATE+	-	A/E, CATE+	-	A/E, CATE+	Menu right	Menu right	Menu right	Menu right	
39	PURE DIRECT	1	O	-	O																									
40	RETURN	16	O	-	O									Return	-	Return	Return	-	-	MEMORY	MEMORY	-	MEMORY	-	MEMORY	Return	Return	RETURN	Return	
41	Down	16	O	-	O									Menu down	CH down	Menu down	Menu down	-	-	PRESET-	PRESET-	-	PRESET-	-	PRESET-	Menu down	Menu down	Menu down	Menu down	
42	DISPLAY	16	O	-	O									Display	-	Display	Display	Display	Display	DISPLAY	DISPLAY	-	DISPLAY	Display	DISPLAY	Display	Display	Display	Display	
43	STRAIGHT	1	O	-	O																									
44	1	16	O	-	-									1	1	1	1	1	1	P1	P1	-	P1	1	P1	1	1	CLASSICAL	1	
45	2	16	O	-	-									2	2	2	2	2	2	P2	P2	-	P2	2	P2	2	2	LIVE/CLUB	2	
46	3	16	O	-	-									3	3	3	3	3	3	P3	P3	-	P3	3	P3	3	3	ENTERTAIN	3	
47	4	16	O	-	-									4	4	4	4	4	4	P4	P4	-	P4	4	P4	4	4	MOVIE	4	
48	5	16	O	-	-									5	5	5	5	5	5	P5	P5	-	P5	5	P5	5	5	STEREO	5	
49	6	16	O	-	-									6	6	6	6	6	6	P6	P6	-	P6	6	P6	6	6	ENHANCER	6	
50	7	16	O	-	-									7	7	7	7	7	7	P7	P7	-	P7	7	P7	7	7	SUR DECODE	7	
51	8	16	O	-	-									8	8	8	8	8	8	P8	P8	-	P8	8	P8	8	8	NIGHT	8	
52	9	16	O	-	-									9	9	9	9	9	9	P9	P9	-	P9	9	P9	9	9	-	9	
53	0	16	O	-	-									0	0/10	0	0/10	0/10	0/10	P0	P0	-	P0	0	P0	0	0/10	-	0/10	
54	+10	16	O	-	-									+10	>10	+10	/,11	+10	+10	-	-	-	+10	-	+10	/,11	-	/,11	-	
55	ENT	16	O	-	-									Title/index	enter	Title/index	enter/12	index	index	P. ENTER	P. ENTER	-	P. ENTER	CHP/Time	P. ENTER	Title/index	enter/12	SLEEP	enter/12	
56	REW (SEARCH)	16	O	-	-									Rew	Rew	Rew	(DVR Rew)	Rew	Rew	-	-	-	Rew	-	Rew	-	Rew	(DVR Rew)	(device)	(device)
57	FF (SEARCH)	16	O	-	-									FF	FF	FF	(DVR FF)	FF	FF	-	-	-	FF	-	FF	-	FF	(DVR FF)	(device)	(device)
58	CHP/SKIP-	16	O	-	-									Skip-	-	Skip-	(DVR Skip-)	Skip-	Skip-	-	-	-	DIR A	-	Skip-	(DVR Skip-)	(device)	(device)	(device)	
59	CHP/SKIP+	16	O	-																										

Advanced setup

This unit has additional menus that are displayed in the front panel display. The advanced setup menu offers additional operations to adjust and customize the way this unit operates. Change the initial settings (indicated in bold under each parameter) to reflect the needs of your listening environment.

Notes

- The settings you make are reflected next time you press **MASTER ON/OFF** inward to the ON position to turn on this unit.
- Only **MASTER ON/OFF**, **TONE CONTROL** and the **PROGRAM** selector are effective while you are using the advanced setup menu.
- No other operations can be made while you are using the advanced setup menu.
- The advanced setup menu is only available in the front panel display.

Using the advanced setup

- Press **MASTER ON/OFF** on the front panel to release it outward to the OFF position to save the new setting and turn off this unit.

- Press **MASTER ON/OFF** repeatedly to change the selected parameter setting.

- Press **MASTER ON/OFF** to release it outward to the OFF position to save the new setting and turn off this unit.

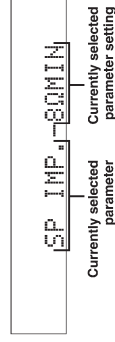


The settings you made are reflected next time you turn on this unit.



- Rotate the **PROGRAM** selector to select the parameter you want to adjust.

The name of the selected parameter appears in the front panel display.



- Speaker impedance** SP IMP.* Use this feature to set the speaker impedance of this unit so that it matches that of your speakers.

- Choices: **8Ω MIN**, 6Ω MIN
- Select "8Ω MIN" to set the speaker impedance to 8 Ω.
- Select "6Ω MIN" to set the speaker impedance to 6 Ω.

SP IMP.	Speaker	Impedance level
8Ω MIN	Front	If you use one set (A or B), the impedance of each speaker must be 8 Ω or higher.
	Center	If you use two sets (A and B), the impedance of each speaker must be 16 Ω or higher.*
	Surround	The impedance of each speaker must be 8 Ω or higher.
	Surround back	The impedance of each speaker must be 8 Ω or higher.

6Ω MIN	Front	If you use one set (A or B), the impedance of each speaker must be 4 Ω or higher.
	Center	If you use two sets (A and B), the impedance of each speaker must be 8 Ω or higher.
	Surround	The impedance of each speaker must be 6 Ω or higher.
	Surround back	The impedance of each speaker must be 6 Ω or higher.

- * The Canada model cannot use two separate speaker systems (A and B) simultaneously when "SP IMP." is set to "8Ω MIN".

User presets PRESET

Use this feature to reset all the parameters of this unit to the initial factory settings.

- Choices: **CANCEL**, RESET
- Select "CANCEL," not to reset any parameters of this unit.
- Select "RESET" to reset the parameters of this unit.

Notes

- This setting completely resets all the parameters of this unit including the "SET MENU" parameters.
- The initial factory settings are activated next time you turn on this unit.

REMOTE CONTROL RAV326/327

Advanced setup

- Remote control AMP ID** REMOTE AMP Use this feature to set the AMP ID of this unit for remote control recognition. This feature is useful when you operate this unit and the other Yamaha receivers/amplifiers in the same room separately.

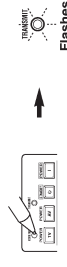
- Choices: ID1, ID2
- Select "ID1" when the remote control AMP ID code is set to "00001".
- Select "ID2" when the remote control AMP ID code is set to "00002".

Setting remote control AMP ID codes

You need to set the remote control AMP ID code for the remote control.

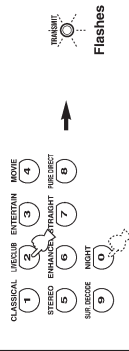
- Press **CODE SET** using a ballpoint pen or a similar object.

The **TRANSMIT** indicator on the remote control flashes twice.



- Press the numeric buttons to enter the code number "00001" or "00002".

The **TRANSMIT** indicator on the remote control flashes twice, and the AMP ID code is changed.



AMP ID code *1	Function	Remote control AMP ID *2
00001	To operate this unit using the default code.	ID1 (initial setting)
00002	To operate this unit using an alternative code.	ID2

- *1 The remote control setting
- *2 The setting of this unit

ADVANCED OPERATION

English

REMOTE CONTROL RAV326/327

Advanced setup

- Remote control TUNER ID** REMOTE TUN Use this feature to set the TUNER ID of this unit for remote control recognition.

- Choices: ID1, ID2
- Select "ID1" when the remote control TUNER ID code is set to "82005".
- Select "ID2" when the remote control TUNER ID code is set to "81949".

Setting remote control TUNER ID codes

You need to set the remote control TUNER ID library code for the remote control.

- Press **TUNER** to select "TUNER" as the input source.



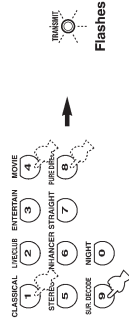
- Press **CODE SET** using a ballpoint pen or a similar object.

The **TRANSMIT** indicator on the remote control flashes twice.



- Press the numeric buttons to enter the code number "82005" or "81949".

The **TRANSMIT** indicator on the remote control flashes twice, and the TUNER ID code is changed.



TUNER ID code *1	Function	Remote control TUNER ID *2
82005	To operate this unit using the default code.	ID1 (initial setting)
81949	To operate this unit using an alternative code.	ID2

- *1 The remote control setting
- *2 The setting of this unit

REMOTE CONTROL RAV364

Advanced setup

- Remote control AMP ID** REMOTE AMP Use this feature to set the AMP ID of this unit for remote control recognition. This feature is useful when you operate this unit and the other Yamaha receivers/amplifiers in the same room separately.

- Choices: ID1, ID2
- Select "ID1" when the remote control AMP ID code is set to "2001".
- Select "ID2" when the remote control AMP ID code is set to "2002".

Setting remote control AMP ID codes

You need to set the remote control AMP ID code for the remote control.

- Set the operation mode selector to **AMP** or **SOURCE**.

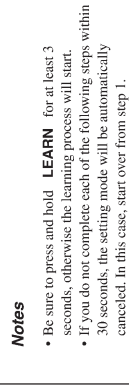
- Press and hold **LEARN** for about 3 seconds using a ballpoint pen or similar object and then press **ENTER** repeatedly until "L:AMP" appears in the display window on the remote control.

The **TRANSMIT** indicator on the remote control flashes twice.



- Press the numeric buttons to enter the code number "2001" or "2002".

The **TRANSMIT** indicator on the remote control flashes twice, and the AMP ID code is changed.



- Press **ENTER**. The four-digit code set for the selected input area appears in the display window on the remote control.

Notes

- Be sure to press and hold **LEARN** for at least 3 seconds, otherwise the learning process will start.
- If you do not complete each of the following steps within 30 seconds, the setting mode will be automatically canceled. In this case, start over from step 1.

- Press **ENTER** to set the number. "OK" appears in the display window if setting was successful.

"NG" appears in the display window if the setting was unsuccessful. In this case, start over from step 1.

- Press **LEARN** again to exit from the setup mode.



ADVANCED OPERATION

English

■ **SCENE IR code setting** SCENE IR
Use this feature to output the remote control signals at the REMOTE OUT jack automatically when this unit is in the SCENE mode.

- Choices: **ON**, **OFF**
- Select "ON" when the component connected to the REMOTE OUT jack is the Yamaha component and has the capability of the SCENE control signals. This unit automatically sends the remote control signals to the component.
- Select "OFF" when the component connected to the REMOTE OUT jack is not the Yamaha component and does not have the capability of the SCENE control signals.

Note

If noises are output when you operate the SCENE function, set "SCENE IR" to "OFF".

■ **Bi-amplifier setting** BI-AMP
Use this feature to activate or deactivate the bi-amplifier function.

- Choices: **ON**, **OFF**
- Select "ON" if you want to activate the bi-amplifier function. "SUR, B L/R SP" is set to "NONE" automatically, and this unit outputs the front channel audio signals at the SURROUND BACK speaker terminals.
- Select "OFF" if you want to deactivate the bi-amplifier function.

Note

When "BI-AMP" is set to "ON", you can only select "FRONT B" or "NONE" in "EXTRA SP ASSIGN".

■ **Tuner frequency step** TU
(Asia and General models only)

Use this feature to set the tuner frequency step according to the frequency spacing in your area.

- Choices: **AM10/FM100**, **AM9/FM50**
- Select "AM10/FM100" for North, Central and South America.
- Select "AM9/FM50" for all other areas.

ADVANCED OPERATION

English

Resetting the system

Use this feature to reset all the parameters of this unit to the initial factory settings.

Notes

- This procedure completely resets all the parameters of this unit including the "SET MENU" parameters. However, the advanced setup menu parameters will not be initialized.
- The initial factory settings are activated next time you turn on this unit.

※

To cancel the initialization procedure at any time without making any changes, press **MASTER ON/OFF** on the front panel to release it outward to the OFF position.

1 Press MASTER ON/OFF on the front panel to release it outward to the OFF position to turn off this unit.

2 Press and hold TONE CONTROL and then press MASTER ON/OFF inward to the ON position to turn on this unit.

This unit turns on, and the advanced setup menu appears in the front panel display.



3 Rotate the PROGRAM selector to select "PRESET".

4 Press TONE CONTROL repeatedly to select "RESET".

※

Select "CANCEL" to cancel the initialization procedure without making any changes.

5 Press MASTER ON/OFF to release it outward to the OFF position to confirm your selection and turn off this unit.

ADDITIONAL INFORMATION

English

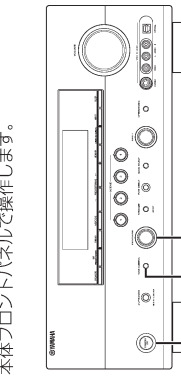
本機の設定を変更する (ADVANCED SETUP)

ADVANCED SETUPにより、本機の設定を初期設定に戻したり、リモコンIDを変更することができます。

ご注意

- ADVANCED SETUPの操作をしているあいだは、本機から音が出なくなりません。
- ADVANCED SETUPの操作をはじめると、本体のSTANDBY/ONスイッチ、TONE CONTROLキー、PROGRAMセレクター以外は機能しません。

4 TONE CONTROLキーを繰り返し押し、設定したい項目を選びます。



本体フロントパネルで操作します。

5 STANDBY/ONスイッチを押す。

電源がオフになり、手順3～4で設定した内容が記憶されます。



手順5を行うと、ADVANCED SETUPの手順は終了します。電源をオンにすると、選んだ設定が有効になります。

1 本体のSTANDBY/ONスイッチを押して、本機の電源をスタンバイにする。



2 TONE CONTROLキーを押しながら、もう一度STANDBY/ONスイッチを押す。

本機の電源がオンになり、フロントパネルディスプレイに「PRESET - CANCEL」と表示されます。



押しながら

3 PROGRAMセレクターを回して、設定したいメニューを選ぶ。

詳しくは次ページの「ADVANCED SETUPのメニューと項目」をご覧ください。



本機の設定を変更する (ADVANCED SETUP)

ADVANCED SETUPのメニューと項目

必要に応じて初期設定を変更してください。

■ **PRESET (初期設定に戻す)**

変更したセットメニューの設定や音場プログラムパラメーター、登録 (プリセット) されたFM/AM放送局などをすべて初期設定に戻せます。詳しくは、「すべての設定を初期設定に戻す」をご覧ください。

ご注意

ADVANCED SETUPの設定は初期設定に戻りません。

■ **REMOTE AMP (アンプ用リモコンID設定)**

本体のアンプ用リモコンIDをリモコンのアンプIDコードの設定に合わせて切り替えます。

選択項目：ID1、ID2
初期設定：ID1

ID1：アンプIDコードが「00001」に設定されているときに選びます。

ID2：アンプIDコードが「00002」に設定されているときに選びます。

■ **REMOTE TUN (チューナー用リモコンID設定)**

本体のチューナー用リモコンIDをリモコンのチューナーIDコードの設定に合わせて切り替えます。

選択項目：ID1、ID2
初期設定：ID1

ID1：チューナーIDコードが「B1916」に設定されているときに選びます。

ID2：チューナーIDコードが「B1917」に設定されているときに選びます。

ご注意

リモコンのIDコードの設定もあわせてご確認ください。詳しくは、「IDコードを変更する」をご覧ください。

■ **SCENE IR (SCENE 選択時の IR 設定)**

SCENE (シーン) 機能を使うときに、本機リアパネルのREMOTE OUT端子に接続したSCENEコントローल信号の受信機能を持つヤマハ機器にコントロール信号を出力するかしないかを設定します。

選択項目：ON、OFF
初期設定：ON

ON：コントロール信号を出力します。本機のREMOTE OUT端子に接続した機器がSCENEコントローल信号の受信機能を持つヤマハ製品の場合に選択します。

OFF：コントロール信号を出力しません。本機のREMOTE OUT端子に接続した機器がヤマハ製品でない場合や、SCENEコントローल信号の受信機能がいない場合に選択します。

ご注意

SCENE機能を操作しているときにノイズが出力される場合は、「OFF」に設定してください。

■ **BI-AMP (バイアンプ設定)**

SURROUND BACK/BI-AMP端子を使ってバイアンプ接続するかしないかを設定します。

選択項目：ON、OFF
初期設定：OFF

ON：バイアンプ接続します。「SUR, B L/R SP」が自動的に「NONE」に設定され、本機のSURROUND BACK/BI-AMP端子からはフロントチャンネル信号が出力されます。

OFF：バイアンプ接続しません。

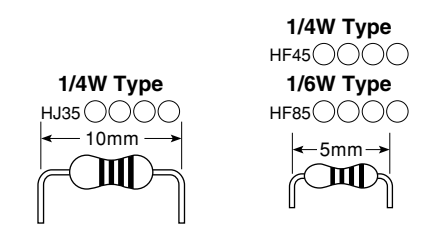
ご注意

「ON」に設定した場合、AUTO SETUPまたはセットメニュー「EXTRA SP ASSIGN」の「PRESENCE」は選べません。

Parts List for Carbon Resistors

Value	1/4W Type Part No.	1/6W Type Part No.	Value	1/4W Type Part No.	1/6W Type Part No.
1.0 Ω	HJ35 3100	HF85 3100	10 kΩ	HF45 7100	HF45 7100
1.8 Ω	HJ35 3180	*	11 kΩ	HF45 7110	HF45 7110
2.2 Ω	HJ35 3220	HF85 3220	12 kΩ	HJ35 7120	HF85 7120
3.3 Ω	HJ35 3330	HF85 3330	13 kΩ	HF45 7130	HF45 7130
4.7 Ω	HJ35 3470	HF85 3470	15 kΩ	HF45 7150	HF45 7150
5.6 Ω	HJ35 3560	HF85 3560	18 kΩ	HF45 7180	HF45 7180
10 Ω	HF45 4100	HF45 4100	22 kΩ	HF45 7220	HF45 7220
15 Ω	HJ35 4150	HF85 4150	24 kΩ	HF45 7240	HF45 7240
22 Ω	HF45 4220	HF45 4220	27 kΩ	HJ35 7270	HF85 7270
27 Ω	HJ35 4270	HF85 4270	30 kΩ	HF45 7300	HF45 7300
33 Ω	HF45 4330	HF45 4330	33 kΩ	HF45 7330	HF45 7330
39 Ω	HJ35 4470	HF85 4390	36 kΩ	HF45 7360	HF45 7360
47 Ω	HF45 4470	HF45 4470	39 kΩ	HF45 7390	HF45 7390
56 Ω	HF45 4560	HF45 4560	47 kΩ	HF45 7470	HF45 7470
68 Ω	HF45 4680	HF45 4680	51 kΩ	HF45 7510	HF45 7510
75 Ω	HF45 4750	HF45 4750	56 kΩ	HF45 7560	HF45 7560
82 Ω	HF45 4820	HF45 4820	62 kΩ	HF45 7620	HF45 7620
91 Ω	HF45 4910	HF45 4910	68 kΩ	HF45 7680	HF45 7680
100 Ω	HF45 5100	HF45 5100	82 kΩ	HF45 7820	HF45 7820
110 Ω	HJ35 5110	HF85 5110	91 kΩ	HF45 7910	HF45 7910
120 Ω	HF45 5120	HF45 5120	100 kΩ	HF45 8100	HF45 8100
150 Ω	HF45 5150	HF45 5150	110 kΩ	HF45 8110	HF45 8110
160 Ω	HJ35 5160	*	120 kΩ	HF45 8120	HF45 8120
180 Ω	HF45 5180	HF45 5180	150 kΩ	HF45 8150	HF45 8150
200 Ω	HF45 5200	HF45 5200	180 kΩ	HF45 8180	HF45 8180
220 Ω	HF45 5220	HF45 5220	220 kΩ	HJ35 8220	HF85 8220
270 Ω	HF45 5270	HF45 5270	270 kΩ	HF45 8270	HF45 8270
330 Ω	HF45 5330	HF45 5330	300 kΩ	HF45 8300	HF45 8300
390 Ω	HF45 5390	HF45 5390	330 kΩ	HF45 8330	HF45 8330
430 Ω	HF45 5430	HF45 5430	390 kΩ	HJ35 8390	HF85 8390
470 Ω	HF45 5470	HF45 5470	470 kΩ	HF45 8470	HF45 8470
510 Ω	HF45 5510	HF45 5510	560 kΩ	HJ35 8560	HF85 8560
560 Ω	HF45 5560	HF45 5560	680 kΩ	HJ35 8680	HF85 8680
680 Ω	HF45 5680	HF45 5680	820 kΩ	HJ35 8820	HF85 8820
820 Ω	HF45 5820	HF45 5820	1.0 MΩ	HF45 9100	HF45 9100
910 Ω	HF45 5910	HF45 5910	1.2 MΩ	HJ35 9120	*
1.0 kΩ	HF45 6100	HF45 6100	1.5 MΩ	HJ35 9150	HF85 9150
1.2 kΩ	HF45 6120	HF45 6120	1.8 MΩ	HJ35 9180	HF85 9180
1.5 kΩ	HF45 6150	HF45 6150	2.2 MΩ	HJ35 9220	HF85 9220
1.8 kΩ	HF45 6180	HF45 6180	3.3 MΩ	HJ35 9330	HF85 9330
2.0 kΩ	HJ35 6200	HF85 6200	3.9 MΩ	HJ35 9390	*
2.2 kΩ	HF45 6220	HF45 6220	4.7 MΩ	HJ35 9470	HF85 9470
2.4 kΩ	HJ35 6240	HF85 6240			
2.7 kΩ	HF45 6270	HF45 6270			
3.0 kΩ	HF45 6300	HF45 6300			
3.3 kΩ	HF45 6330	HF45 6330			
3.6 kΩ	HJ35 6360	HF85 6360			
3.9 kΩ	HF45 6390	HF45 6390			
4.7 kΩ	HF45 6470	HF45 6470			
5.1 kΩ	HF45 6510	HF45 6510			
5.6 kΩ	HF45 6560	HF45 6560			
6.8 kΩ	HF45 6680	HF45 6680			
8.2 kΩ	HF45 6820	HF45 6820			
9.1 kΩ	HF45 6910	HF45 6910			

* : Not available



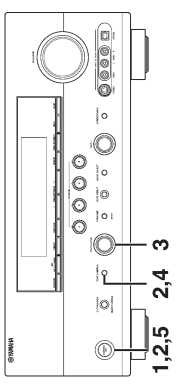
すべての設定を初期設定に戻す

変更したセットメニューの設定や音場/パラメーター、登録（プリセット）されたFM / AM 放送局などをすべて初期設定に戻します。

ご注意

- ・操作をしているあいだは、本機から音が出なくなります。
- ・操作をはじめると、本体のSTANDBY/ONスイッチ、TONE CONTROLキー、PROGRAMセレクターキー以外は機能しません。

4 STANDBY/ONスイッチを押す。

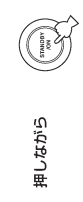


1 本体のSTANDBY/ONスイッチを押して、本体の電源をスタンバイにする。

「CANCEL」を選んだ場合は初期設定に戻らずに、本体の電源はそのままスタンバイになります。「RESET」を選んだ場合は、次回電源をオンにしたときにすべての設定が初期設定に戻ります。

2 TONE CONTROLキーを押しながら、もう一度STANDBY/ONスイッチを押す。

本機の電源がオンになり、フロントパネルディスプレイに「PRESET - CANCEL」と表示されます。



3 PROGRAMセレクターを回して、「CANCEL」または「RESET」を選ぶ。

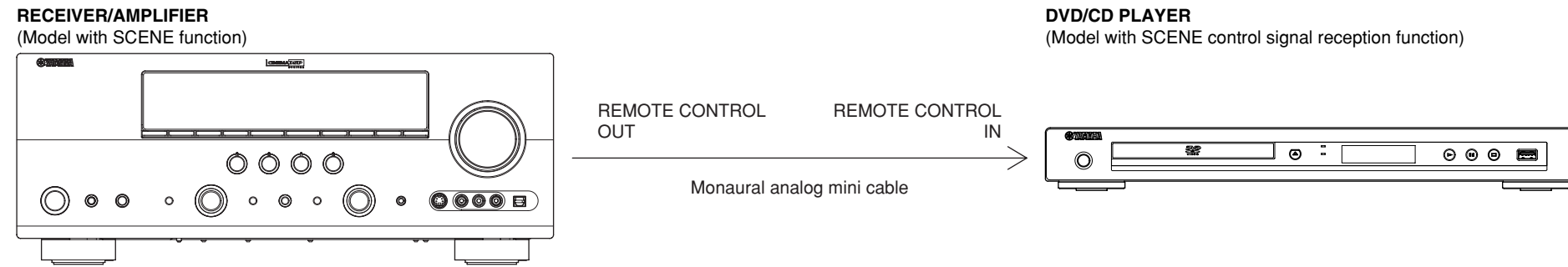


CANCEL：初期設定に戻しません。
RESET：すべての設定を初期設定に戻します。

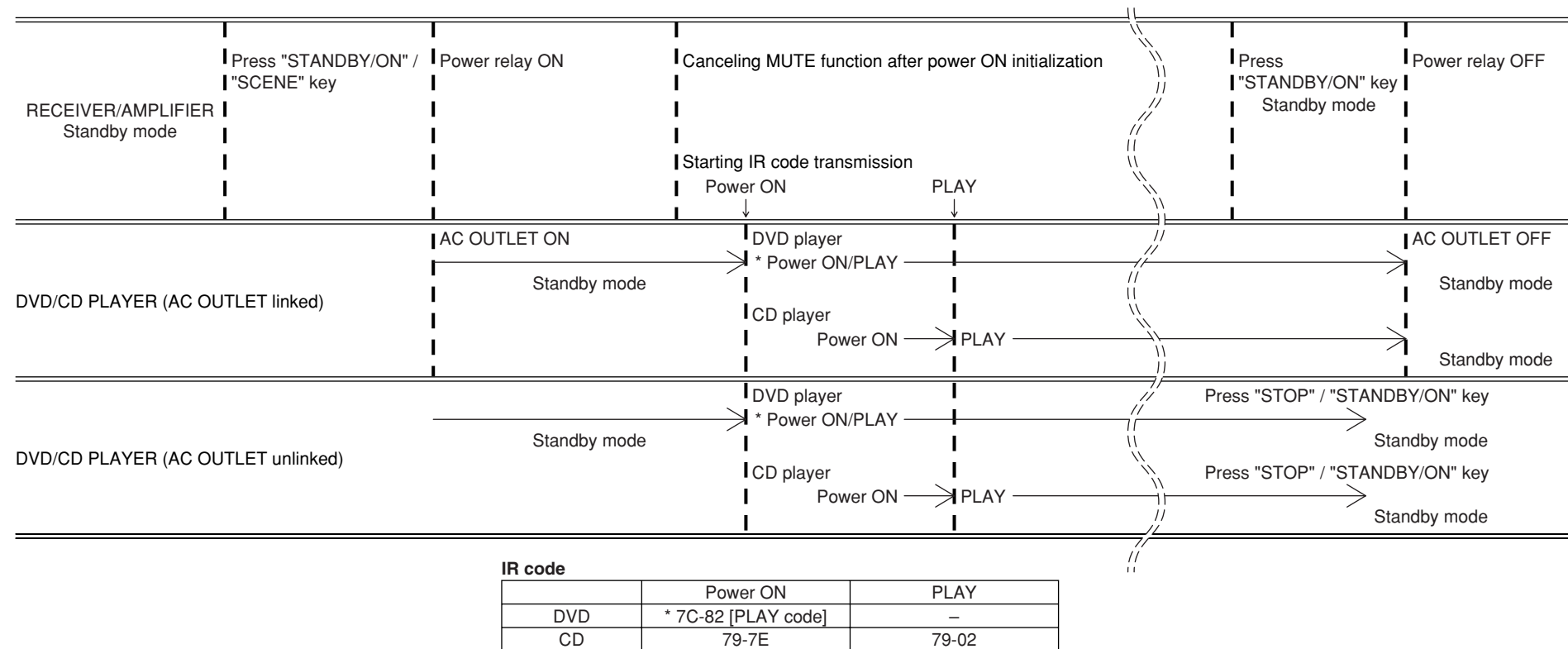
視聴空間をより細かく設定する（チャンネルロー）

■ SCENE CONTROL

• Example of connection



• SCENE control



* When the DVD player receives the IR code [PLAY], the power is turned on and the disc is played at the same time.

**RX-V861/HTR-6080/DSP-AX861SE/
DSP-AX861**

