

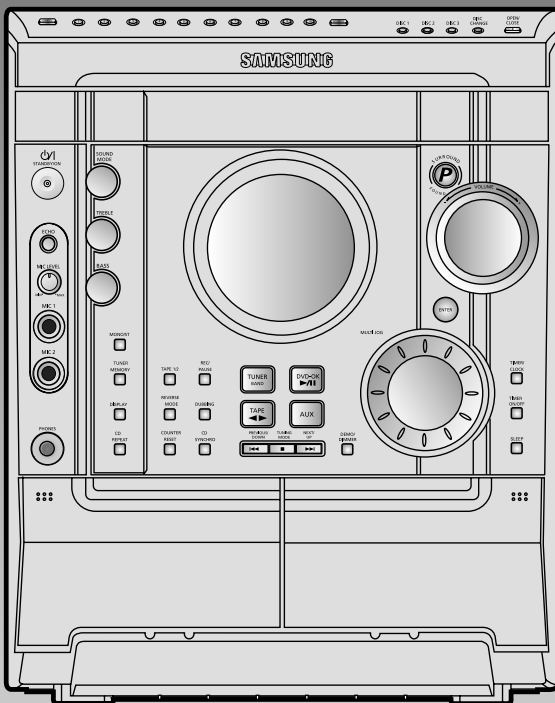
**SAMSUNG**

# 3 DVD CHANGER MINI MINI COMPONENT MAX-KJ650 MAX-KJ630

# **SERVICE** Manual

## MIMI MIMI COMPONENT SYSTEM

## CONTENTS



1. Alignment and Adjustments
2. Exploded Views and Parts List
3. Electrical Parts List
4. Block Diagrams
5. Wiring Diagram
6. Schematic Diagrams

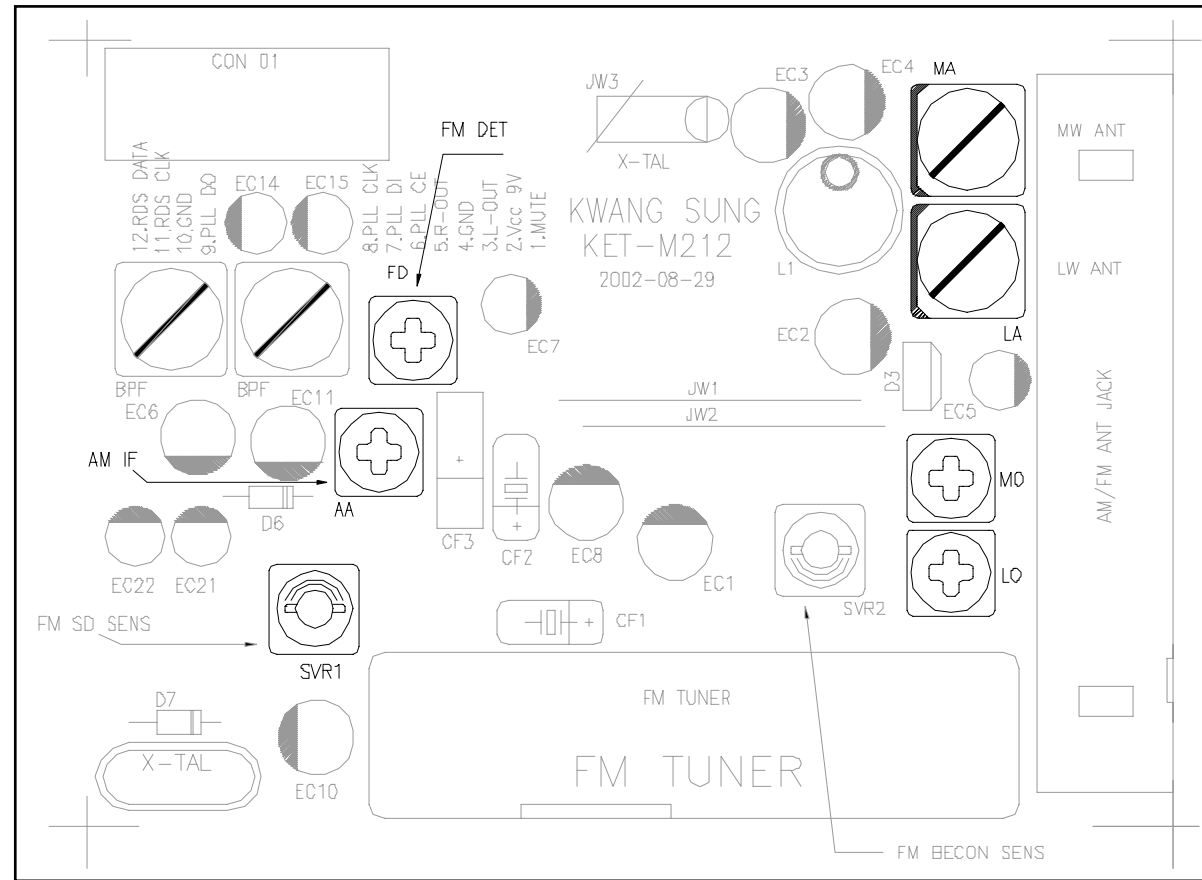
- Confidential -

**Notice !!**

You can search for the updated part code through ITSELF web site.  
URL; <http://itself.sec.samsung.co.kr>

# 1. Alignment and Adjustments

## 1-1. Tuner



\* Adjustment Location of Tuner PCB

| ITEAM            | AM(MW) OSC Adjustment | AM(MW) RF Adjustment   | LW OSC Adjustment | LW RF Adjustment       |
|------------------|-----------------------|------------------------|-------------------|------------------------|
| Received FREQ.   | 522~1611 KHz          | 594 KHz                | 146~290 KHz       | 150 KHz                |
| Adjustment point | MO                    | MA                     | LO                | LA                     |
| Output           | 1~7.0±0.5V            | Maximum Output(Fig1-4) | 2~7.0±0.5V        | Maximum Output(Fig1-4) |

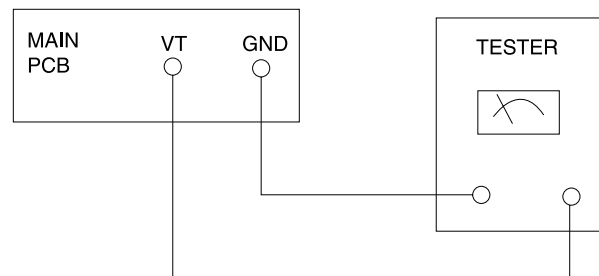


Fig 1-4 OSC Voltage

| FM THD Adjustment                            |                  |
|----------------------------------------------|------------------|
| SSG FREQ.                                    | 98 MHz           |
| Adjustment point (FM DET)                    | FM DETECTOR COIL |
| Output                                       | 60 dB            |
| Minimum Distortion (0.4% below) (Figure 1-1) |                  |

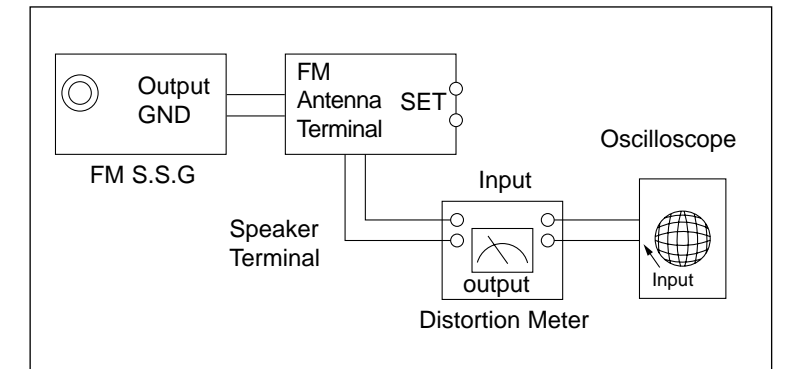


Figure1-1 IF CENTER and THD Adjustment

| FM Search Level Adjustment |                                  |
|----------------------------|----------------------------------|
| SSG FREQ.                  | 98 MHz                           |
| Adjustment point (SVR1)    | BEACON SENSITIVITY SEMI-VR(10KΩ) |
| Output                     | 28 dB(±2dB)                      |
| Adjust SVR1 (Figure 1-2)   |                                  |

\*Adjust FM S.S.G level to 28dB

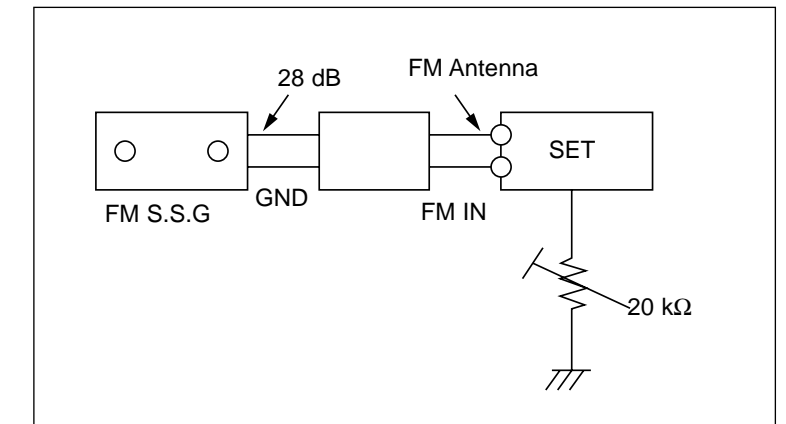


Figure1-2 FM Auto Search Level Adjustment

| AM(MW) I.F Adjustment       |         |
|-----------------------------|---------|
| SSG FREQ.                   | 450 kHz |
| Frequency                   | 522 kHz |
| Adjustment point            | AM IF   |
| Maximum output (Figure 1-3) |         |

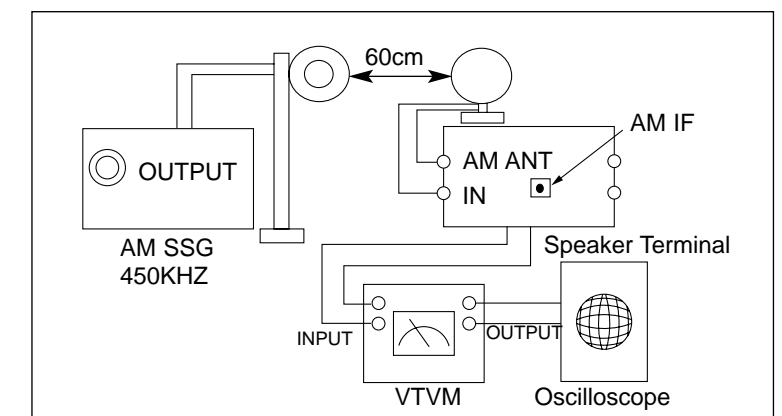


Figure1-3 AM I.F Adjustment

**1-1-2 AM(MW),LW,SW1,SW2 Adjustment**

|         | Circuit to be Adjusted | Measuring Instrument & Arrangement                                          | Step | S.S.G Frequency | Radio dial Setting | Adjusting Point | Adjust for                               |
|---------|------------------------|-----------------------------------------------------------------------------|------|-----------------|--------------------|-----------------|------------------------------------------|
| AM (MW) | OSC                    | Connect AM signal generator to loop antenna,VTVM AND oscilloscope (Fig 1-3) | 1    | 522KHz          | 522KHz             | MW OSC          | Adjust for 1.0V±0.1V at the low. (IR117) |
|         |                        |                                                                             | 2    | 1611KHz         | 1611KHz            | MW OSC          | Check for 7.0V±1.0V at the high. (IR117) |
|         | RF                     | “                                                                           | 1    | 594KHz          | 594KHz             | MW ANT          | Maximum out                              |
|         | INTER FREQ             | “                                                                           | 1    | 455KHz          | 522KHz             | TL2             | Maximum out                              |
| LW      | OSC                    | Fig 1-3                                                                     | 1    |                 | 146KHz             | LW OSC          | Adjust for 2.0V±0.1V at the low.         |
|         |                        |                                                                             | 2    |                 | 290KHz             | LW OSC          | Check for 7.0V±1.0V at the high.         |
|         | RF                     |                                                                             | 1    | 150KHz          | 150KHz             | LW ANT          | Maximum out                              |
| SW1     | OSC                    | Fig 1-3                                                                     | 1    |                 | 2.3MHz             | SW1 OSC         | Adjust for 1.0V±0.1V at the low.         |
|         |                        |                                                                             | 2    |                 | 7.3MHz             | -               | Check for 8.5V±1.0V at the high.         |
|         | RF                     |                                                                             | 1    | 3.5MHz          | 3.5MHz             | SW1 ANT         | Maximum out                              |
| SW2     | OSC                    | Fig 1-3                                                                     | 1    |                 | 9.5MHz             | SW2 OSC         | Adjust for 1.5V±0.1V at the low.         |
|         |                        |                                                                             | 2    |                 | 26.1MHz            | -               | Check for 8.0V±1.0V at the high.         |
|         | RF                     |                                                                             | 1    | 10MHz           | 10MHz              | SW2 ANT         | Maximum out                              |

## 2. Cassette Deck

### 2-1. To Adjust Tape Speed

Notes

- 1) Measuring tape: i) MTT-111 (or equivalent) (Tapes recorded with 3kHz)  
ii) MTT-5512 (or equivalent)
- 2) Connect the SPK OUT of the MAIN PCB to the frequency counter as in figure 1-5.

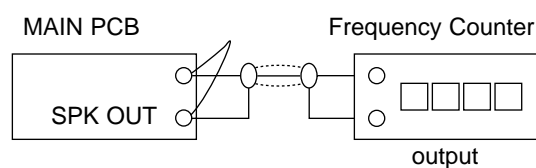


Figure 1-5

| Step | Item              | Pre-Setup Condition                          | Pre-Setup                                                                 | To Adjust                               | Standard | Remark    |
|------|-------------------|----------------------------------------------|---------------------------------------------------------------------------|-----------------------------------------|----------|-----------|
| 1    | NOR SPEED Control | SPK OUT (connected to the frequency counter) | 1) Deck 1: MTT-111<br>2) Press PLAY SW button<br>3) Deck 2: Same as above | Turn VSR1 to left and right (FRONT PCB) | 3KHz     | ±1% range |

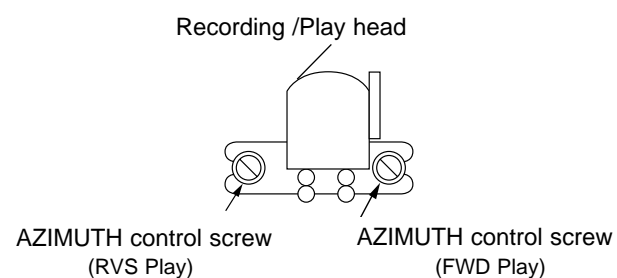


Figure 1-6

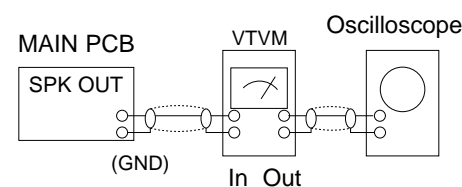


Figure 1-7

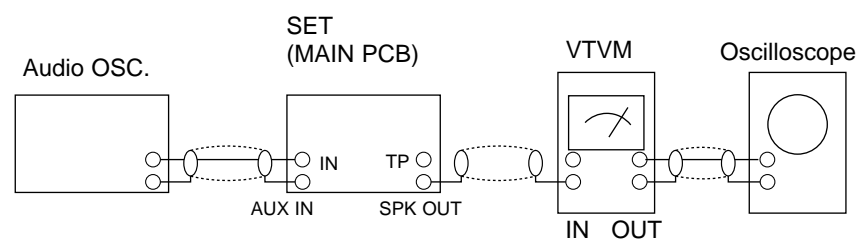


Figure 1-8

### 2-2. To Adjust PlayBack Level/REC

Notes

- 1) Before the actual adjustment, clean the play/recording head.
- 2) Measuring tape :  
i) MTT-114N (or equivalent 10kHz AZIMUTH control)  
ii) MTT-5512
- 3) The cassette deck is connections as shown in figure 1-7.

#### 1. Adjust Deck 1 Play Level

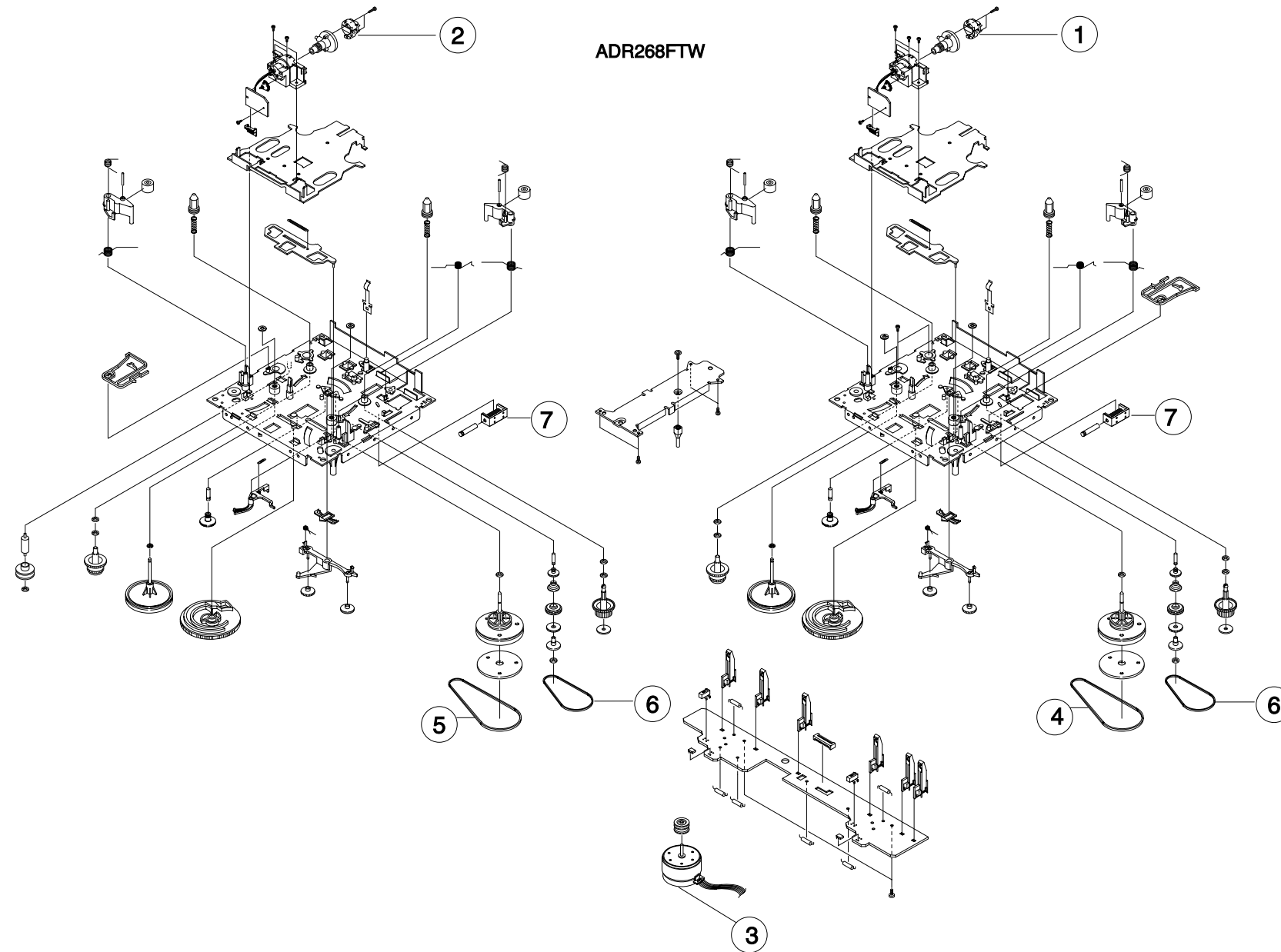
| Step | Item    | Pre-Setup Condition                      | Pre-Setup                                                      | To Adjust                                           | Standard                                  | Remark                                       |
|------|---------|------------------------------------------|----------------------------------------------------------------|-----------------------------------------------------|-------------------------------------------|----------------------------------------------|
| 1    | AZIMUTH | SPK OUT (VTVM is connected to the scope) | After putting MTT-114N into Deck 1<br>- Press FWD PLAY button. | - Turn the control screw to as shown in Figure 1-6. | Max output and same phase (both channels) | After adjustment secure it with REGION LOCK. |

#### 2. Adjust Deck 2 Play Level/ REC BIAS

| Step | Item                   | Pre-Setup Condition                      | Pre-Setup                                                                                              | To Adjust                                           | Standard                                  | Remark                                       |
|------|------------------------|------------------------------------------|--------------------------------------------------------------------------------------------------------|-----------------------------------------------------|-------------------------------------------|----------------------------------------------|
| 1    | AZIMUTH                | SPK OUT (VTVM is connected to the scope) | After putting MTT-114N into Deck 2<br>- Press FWD PLAY button.                                         | - Turn the control screw to as shown in Figure 1-6. | MAX OUTPUT and same phase (both channels) | After adjustment secure it with REGION LOCK. |
| 2    | Recording Bias Voltage | Fig 1-8                                  | After putting MTT-5512 into Deck 2<br>1) Press REC PLAY button.<br>2) TAPE PCB JCV3, connected to VTVM | - Turn JSR2L, JSR2R to the right and left           | CHECK TO 7mV(±0.5mV)                      |                                              |

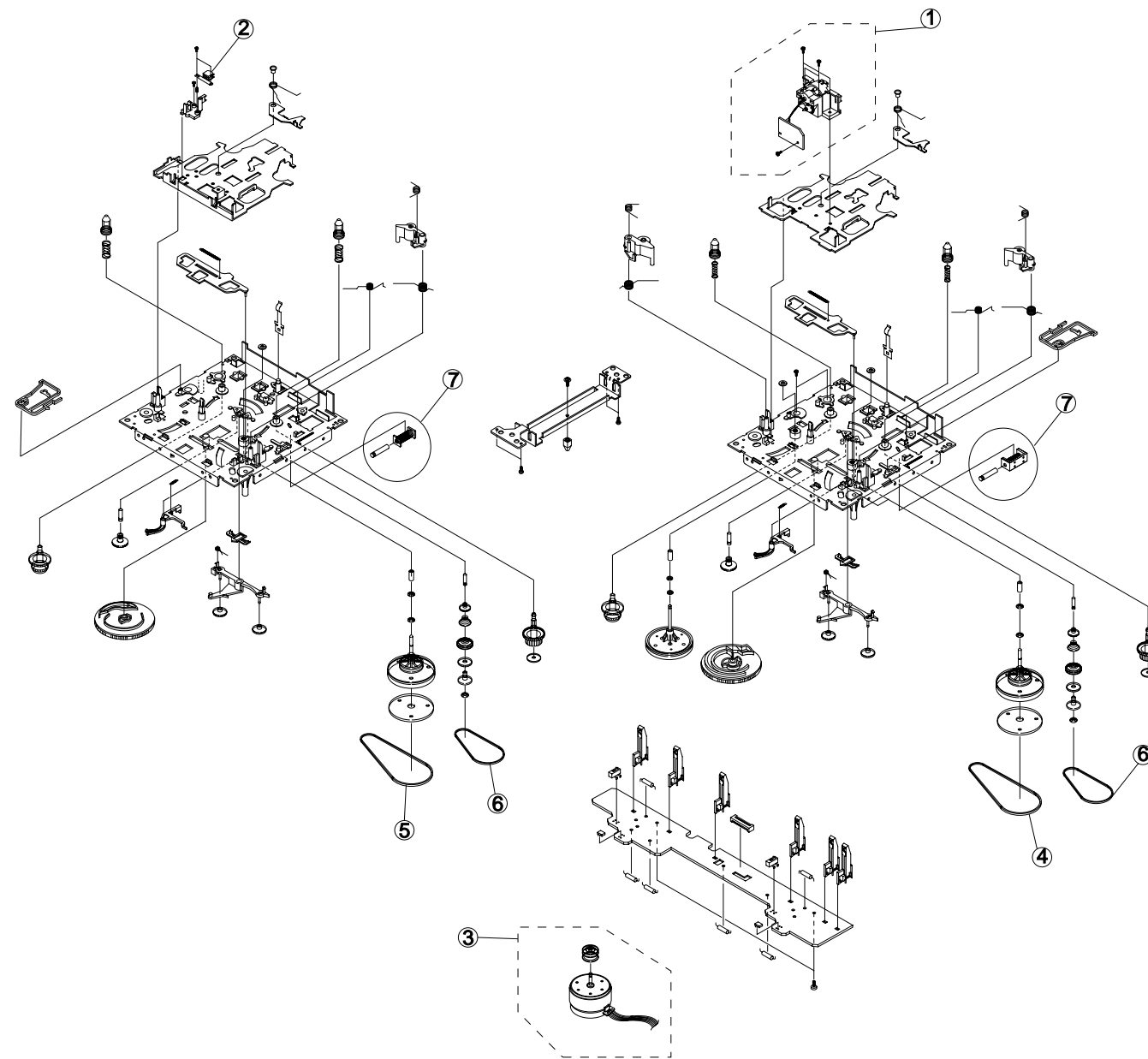
## 2.Exploded Views and Parts List

### 2-1-1 Cassette Deck :ADR268FTW1 (OPTION)



| No. | Code No.    | Description   | Specification | Remarks     |
|-----|-------------|---------------|---------------|-------------|
|     | AH59-01146A | DECK-CASSETTE | ADR268FTW1    |             |
| 1   | AH81-01030A | ASSY R/P HEAD | TR56R-AA2N1   | MT91-11012W |
| 2   | AH81-01033A | ASSY P/B HEAD | DZK10P-122N3  | MT91-11013C |
| 3   | AH81-00422A | ASSY MOTOR    | ADR246DSW     | MT91-15013Y |
| 4   | AH81-00364A | BELT MAIN1    | ADR246DSW     | 6602-001056 |
| 5   | AH81-00365A | BELT MAIN2    | ADR246FTW     | 6602-001010 |
| 6   | AH81-00101A | BELT SUB      | 34.1*1.1*1.1  | 6602-001055 |
| 7   | AH81-00102A | SOLENOID      | DAT-05A1      | MT75-00049A |

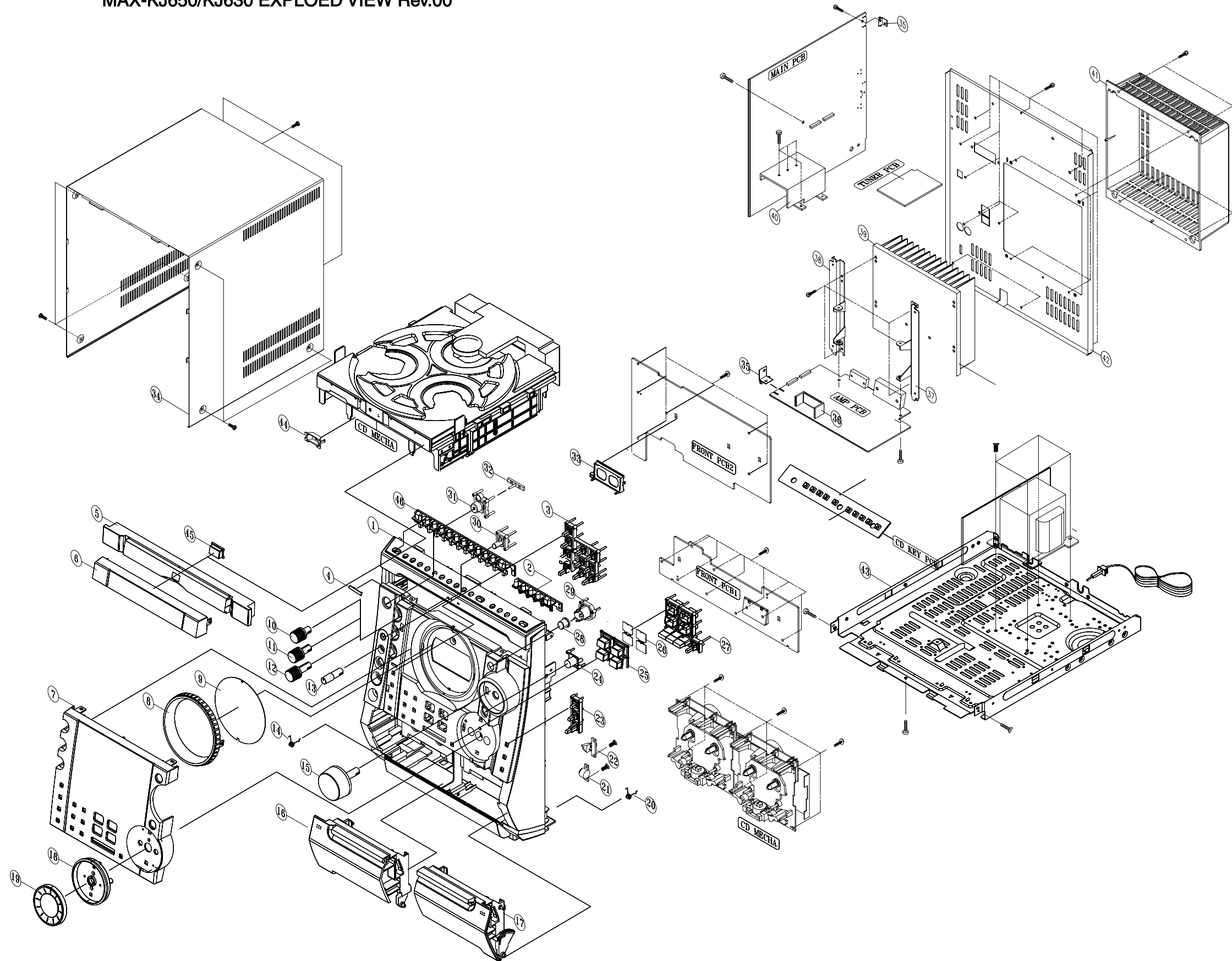
## 2-1-2 Cassette Deck :ADR268AMW1 (OPTION)



| No. | Code No.    | Description   | Specification    | Remarks     |
|-----|-------------|---------------|------------------|-------------|
|     | AH59-01145A | DECK-CASSETTE | ADR268AMW1       |             |
| 1   | AH81-00368A | ASSY R/P HEAD | ADR2400 (SANKYO) | MT91-11010T |
| 2   | AH81-00141B | ASSY P/B HEAD | MK10P-AA2N3      | MT59-00041V |
| 3   | AH81-00363A | ASSY MOTOR    | ADR246DSW        | MT91-15012J |
| 4   | AH81-00364A | BELT MAIN1    | ADR246DSW        | 6602-001056 |
| 5   | AH81-00365A | BELT MAIN2    | ADR246DSW        | 6602-001057 |
| 6   | AH81-00101A | BELT SUB      | 34.1*1.1*1.1     | 6602-001055 |
| 7   | AH81-00102A | SOLENOID      | DAT-05A1         | MT75-00049A |

## 2-2 Total Exploded View and Parts List

MAX-KJ650/KJ630 EXPLOED VIEW Rev.00



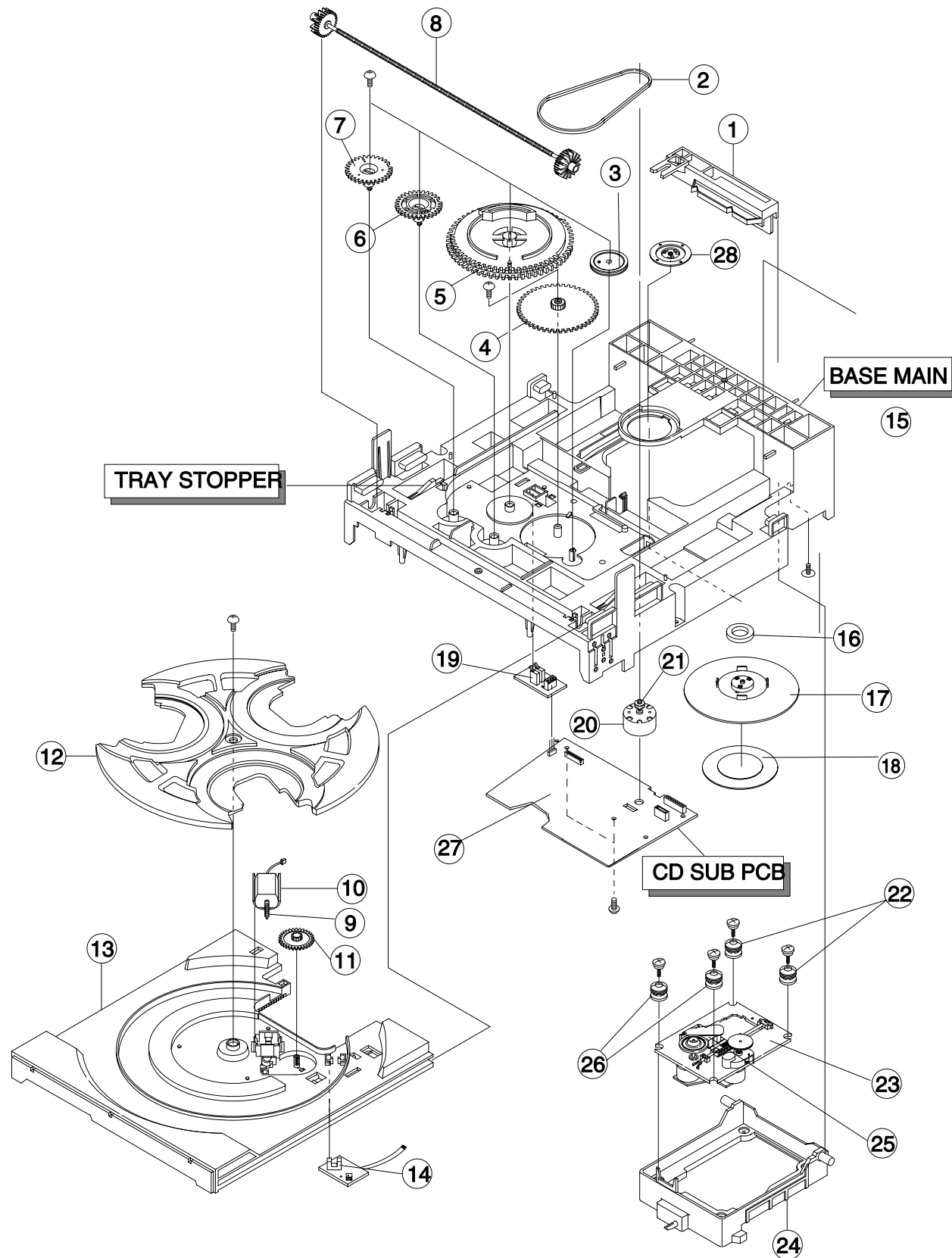
\* Parts List of Total Exploded view

| NO | CODE NO     | PART NAME       | Q'TY | REMARK |
|----|-------------|-----------------|------|--------|
| 1  | AH64-02744B | CABINET-FRONT   | 1    |        |
| 2  | AH64-02775B | KNOB-OPEN       | 1    |        |
| 3  | AH64-02773B | KNOB-STOP       | 1    |        |
| 4  | AH64-70003K | BADGE-SAMSUNG   | 1    |        |
| 5  | AH64-02796B | DOOR-DVD        | 1    |        |
| 6  | AH64-02745B | WINDOW-CD       | 1    |        |
| 7  | AH64-02789B | WINDOW-FRONT    | 1    |        |
| 8  | AH64-02790B | DECO-VFD        | 1    |        |
| 9  | AH63-00683B | FILTER-VFD      | 1    |        |
| 10 | AH64-02791B | KNOB-ROTATE1    | 1    |        |
| 11 | AH64-02792B | KNOB-ROTATE2    | 1    |        |
| 12 | AH64-02793B | KNOB-ROTATE3    | 1    |        |
| 13 | AH64-02771B | KNOB-MIC        | 1    |        |
| 14 | AH61-00552B | SPRING-DOOR L   | 1    |        |
| 15 | AH64-02768B | KNOB-VOLUME     | 1    |        |
| 16 | AH64-02764C | DOOR-CASS L     | 1    |        |
| 17 | AH64-02765C | DOOR-CASS R     | 1    |        |
| 18 | AH64-02767B | DECO-JOG        | 1    |        |
| 19 | AH64-02769B | KNOB-JOG        | 1    |        |
| 20 | AH61-00553B | SPRING-DOOR R   | 1    |        |
| 21 | AH61-80030A | DAMPER-ASSY     | 2    |        |
| 22 | AH95-50001A | LACTH-ASSY      | 2    |        |
| 23 | AH64-02776B | KNOB-TIMER      | 1    |        |
| 24 | AH64-02774B | KNOB-ENTER      | 1    |        |
| 25 | AH67-00259B | LENS-FUNCTION   | 1    |        |
| 26 | AH63-00684A | FILTER-FUNCTION | 2    |        |
| 27 | AH64-02779B | KNOB-FUNCTION   | 1    |        |
| 28 | AH67-00258B | LENS-P SOUND    | 1    |        |
| 29 | AH61-01513A | HOLDER-P SOUND  | 1    |        |
| 30 | AH64-02772B | KNOB-ECHO       | 1    |        |
| 31 | AH64-02770B | KNOB-POWER      | 1    |        |
| 32 | AH67-00255A | LENS-POWER      | 1    |        |
| 33 | AH61-01520A | HOLDER-VFD      | 1    |        |

|    |             |                  |   |  |
|----|-------------|------------------|---|--|
| 24 | AH64-02774B | KNOB-ENTER       | 1 |  |
| 25 | AH67-00259B | LENS-FUNCTION    | 1 |  |
| 26 | AH63-00684A | FILTER-FUNCTION  | 2 |  |
| 27 | AH64-02779B | KNOB-FUNCTION    | 1 |  |
| 28 | AH67-00258B | LENS-P SOUND     | 1 |  |
| 29 | AH61-01513A | HOLDER-P SOUND   | 1 |  |
| 30 | AH64-02772B | KNOB-ECHO        | 1 |  |
| 31 | AH64-02770B | KNOB-POWER       | 1 |  |
| 32 | AH67-00255A | LENS-POWER       | 1 |  |
| 33 | AH61-01520A | HOLDER-VFD       | 1 |  |
| 34 | AH64-00899A | CABINET-TOP      | 1 |  |
| 35 | AH61-00685A | BRKT-PCB         | 2 |  |
| 36 | AH62-00102A | HEAT-SINK POWER  |   |  |
| 37 | AH61-00973A | BRKT/HEAT-SINK L | 1 |  |
| 38 | AH61-00977A | BRKT/HEAT-SINK R | 1 |  |
| 39 | AH62-00111A | HEAT-SINK MAIN   | 1 |  |
| 40 | AH62-00113A | HEAT-SINK TR     | 1 |  |
| 41 | AH61-01514A | COVER-REAR       | 1 |  |
| 42 | AH64-02778B | CABINET-REAR     | 1 |  |
| 43 | AH64-02840A | CABINET-BOTTOM   | 1 |  |
| 44 | AH61-00390A | HOLDER-DVD       | 1 |  |
| 45 | AH67-00260C | LENS-DVD         | 1 |  |
| 46 | AH64-02794B | KNOB-KEYCON      | 1 |  |



## 2-3 CD Deck Exploded View and Parts list



| No. | Code No.    | Description       | Specification                | Remarks |
|-----|-------------|-------------------|------------------------------|---------|
| 1   | AH66-80022A | SLIDER-CAM        | ABS HF-380 NTR               |         |
| 2   | AH66-60034A | BELT-LOAD         | CR                           |         |
| 3   | AH66-20186A | GEAR-PULLEY       | POM (M90-44) WHT             |         |
| 4   | AH66-20187A | GEAR-LOAD         | POM (M90-44) BLK             |         |
| 5   | AH66-20188B | GEAR-CAM          | POM (M90-44) WHT             |         |
| 6   | AH66-20189B | GEAR-TRAY         | POM (M90-44) BLK             |         |
| 7   | AH66-20190B | GEAR-CONVERT      | POM (M90-44) WHT             |         |
| 8   | AH66-20191A | GEAR-SYNCRO       | ABS HF-380 NTR               |         |
| 9   | AH66-20192A | GEAR-WORM         | POM(M90-44),M0.5,PCD4.5      |         |
| 10  | AH31-12001A | MOTOR-LOADING     | FF-030PN-09120               |         |
| 11  | AH66-20193A | GEAR-ROULLETE     | POM(M90-44) BLK              |         |
| 12  | AH63-00324A | TRAY-ROULLETE     | ABS XR-401 BLK               |         |
| 13  | AH63-00325A | TRAY-DISC         | ABS BLK                      |         |
| 14  | AH32-10001F | SENSOR            | KPI-L06                      |         |
| 15  | AH61-00837A | BASE-MAIN         | ABS,NATURAL,CMS-300          |         |
| 16  | 3302-000159 | MAGNET            | AC,3500-3800G,2.6-3.2MGOe,30 |         |
| 17  | AH63-90053A | TABLE-CHUCK       | ,ABS,+GF20%,BLK,             |         |
| 18  | AH63-00068B | SHEET-CHUCK       | SHEET,HYMERON,BLK,0.4T       |         |
| 19  | 3405-000101 | SWITCH -MICRO     | MLS-24                       |         |
| 20  | AH31-10021A | MOTOR-DC          | RF-500TB,9VDC/130MA          |         |
| 21  | AH66-10008A | PULLEY-MOTOR      | POM,BLK,CMS-CR3              |         |
| 22  | AH73-10031A | RUBBER-CD(R)      | SI,CMS-300,40,RED            |         |
| 23  | AH91-60150C | CDP DECK ASSY     | CMS-D73SG6U                  |         |
| 24  | AH66-30098A | LEVER-LIFTER      | ABS BLK CMS-300              |         |
| 25  | AH30-00007A | PICK-UP           | SOH-AD3                      |         |
| 26  | AH73-10034A | RUBBER-CD(G)      | SI,CMS-300,40,GREEN          |         |
| 27  | AH92-00922A | ASS'Y PCB CD MAIN |                              |         |
| 28  | AH61-00225A | BRKT-CHUCK        | SECL 0.8t                    |         |

















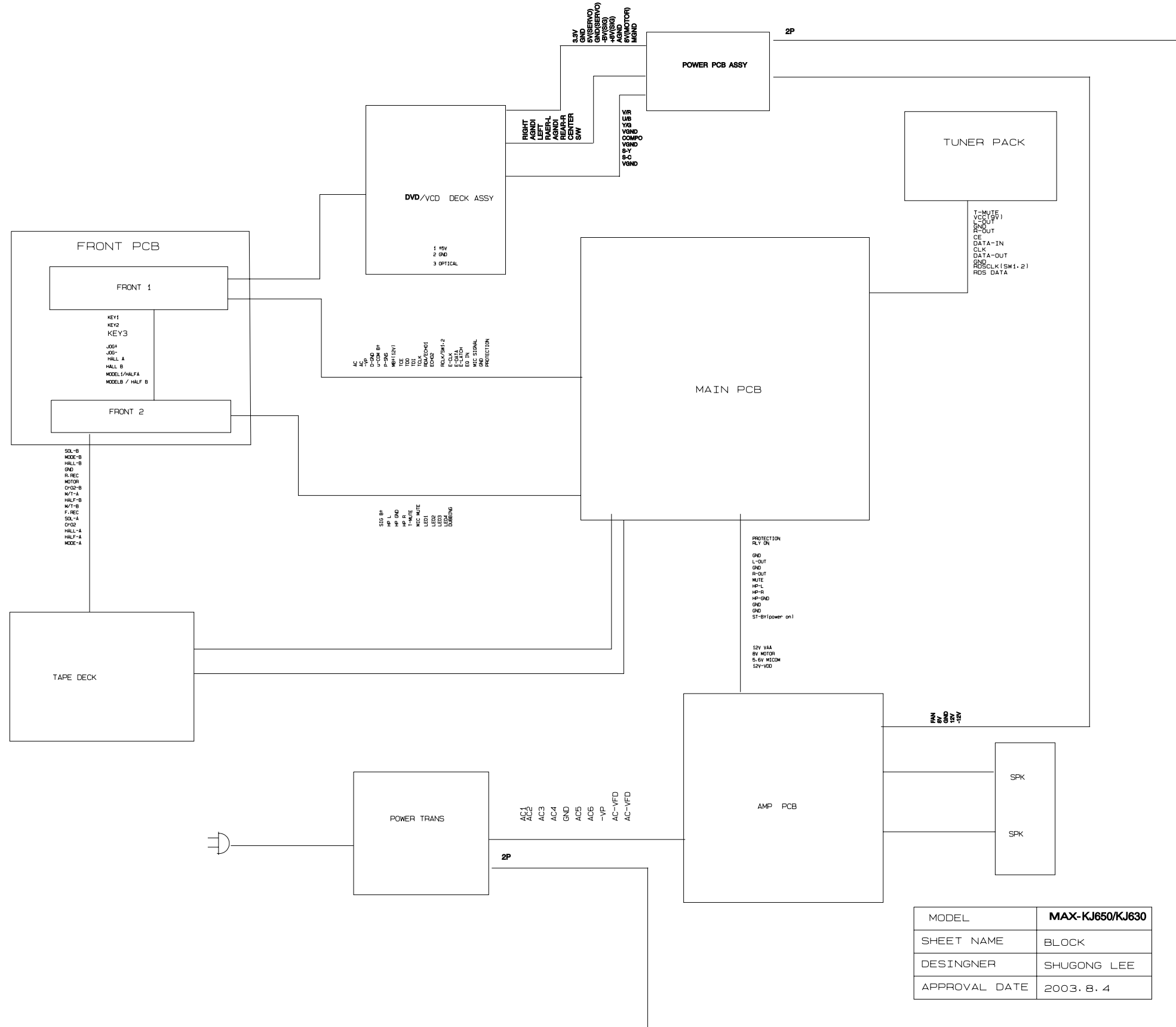




| Location no | Code no.    | Description                              | Specification | Remarks | Location no | Code no. | Description | Specification | Remarks |
|-------------|-------------|------------------------------------------|---------------|---------|-------------|----------|-------------|---------------|---------|
| DC22        | 2301-000370 | C-FILM,LEAD-PEF;1.8nF,10%,50V,TP,5.5x12x |               |         |             |          |             |               |         |
| DC25        | 2301-000375 | C-FILM,LEAD-PEF;100nF,5%,50V,TP,11x12.5x |               |         |             |          |             |               |         |
| DC26        | 2301-000375 | C-FILM,LEAD-PEF;100nF,5%,50V,TP,11x12.5x |               |         |             |          |             |               |         |
| DC7         | 2301-000375 | C-FILM,LEAD-PEF;100nF,5%,50V,TP,11x12.5x |               |         |             |          |             |               |         |
| KC2         | 2301-000375 | C-FILM,LEAD-PEF;100nF,5%,50V,TP,11x12.5x |               |         |             |          |             |               |         |
| KC5         | 2301-000375 | C-FILM,LEAD-PEF;100nF,5%,50V,TP,11x12.5x |               |         |             |          |             |               |         |
| AC5         | 2301-000375 | C-FILM,LEAD-PEF;100nF,5%,50V,TP,11x12.5x |               |         |             |          |             |               |         |
| AC6         | 2301-000375 | C-FILM,LEAD-PEF;100nF,5%,50V,TP,11x12.5x |               |         |             |          |             |               |         |
| AC7         | 2301-000375 | C-FILM,LEAD-PEF;100nF,5%,50V,TP,11x12.5x |               |         |             |          |             |               |         |
| AC8         | 2301-000375 | C-FILM,LEAD-PEF;100nF,5%,50V,TP,11x12.5x |               |         |             |          |             |               |         |
| DC10        | 2301-000375 | C-FILM,LEAD-PEF;100nF,5%,50V,TP,11x12.5x |               |         |             |          |             |               |         |
| KC12        | 2301-000379 | C-FILM,LEAD-PEF;10nF,10%,50V,TP,6x12x3.5 |               |         |             |          |             |               |         |
| KC11        | 2301-000379 | C-FILM,LEAD-PEF;10nF,10%,50V,TP,6x12x3.5 |               |         |             |          |             |               |         |
| DC24        | 2301-000379 | C-FILM,LEAD-PEF;10nF,10%,50V,TP,6x12x3.5 |               |         |             |          |             |               |         |
| DC11        | 2301-000379 | C-FILM,LEAD-PEF;10nF,10%,50V,TP,6x12x3.5 |               |         |             |          |             |               |         |
| AC13        | 2301-000379 | C-FILM,LEAD-PEF;10nF,10%,50V,TP,6x12x3.5 |               |         |             |          |             |               |         |
| AC11        | 2301-000379 | C-FILM,LEAD-PEF;10nF,10%,50V,TP,6x12x3.5 |               |         |             |          |             |               |         |
| KC4A        | 2301-000387 | C-FILM,LEAD-PEF;150nF,10%,50V,TP,12.5x15 |               |         |             |          |             |               |         |
| KC1A        | 2301-000387 | C-FILM,LEAD-PEF;150nF,10%,50V,TP,12.5x15 |               |         |             |          |             |               |         |
| DC16        | 2301-000404 | C-FILM,LEAD-PEF;2.2nF,10%,50V,TP,5.5x12x |               |         |             |          |             |               |         |
| DC15        | 2301-000404 | C-FILM,LEAD-PEF;2.2nF,10%,50V,TP,5.5x12x |               |         |             |          |             |               |         |
| DC14        | 2301-000404 | C-FILM,LEAD-PEF;2.2nF,10%,50V,TP,5.5x12x |               |         |             |          |             |               |         |
| AC9         | 2301-000404 | C-FILM,LEAD-PEF;2.2nF,10%,50V,TP,5.5x12x |               |         |             |          |             |               |         |
| AC10        | 2301-000404 | C-FILM,LEAD-PEF;2.2nF,10%,50V,TP,5.5x12x |               |         |             |          |             |               |         |
| DC13        | 2301-000407 | C-FILM,LEAD-PEF;2.7nF,10%,50V,TP,5.5x12x |               |         |             |          |             |               |         |
| DC12B       | 2301-000407 | C-FILM,LEAD-PEF;2.7nF,10%,50V,TP,5.5x12x |               |         |             |          |             |               |         |
| DC12A       | 2301-000407 | C-FILM,LEAD-PEF;2.7nF,10%,50V,TP,5.5x12x |               |         |             |          |             |               |         |
| FREE        | 2301-000412 | C-FILM,LEAD-PEF;22nF,10%,50V,TP,8x12x4mm |               |         |             |          |             |               |         |
| PC4         | 2301-000449 | C-FILM,LEAD-PEF;47nF,10%,50V,TP,9.5x12.5 |               |         |             |          |             |               |         |
| PC3         | 2301-000449 | C-FILM,LEAD-PEF;47nF,10%,50V,TP,9.5x12.5 |               |         |             |          |             |               |         |
| KC14        | 2301-000474 | C-FILM,LEAD-PEF;8.2nF,10%,50V,TP,6.5x12x |               |         |             |          |             |               |         |
| HPC8        | 2401-000240 | C-AL;100uF,20%,10V,GP,TP,5x11.5          |               |         |             |          |             |               |         |
| KCAA        | 2401-000303 | C-AL;100uF,20%,25V,GP,TP,6.3x11.5        |               |         |             |          |             |               |         |
| FREE        | 2401-000303 | C-AL;100uF,20%,25V,GP,TP,6.3x11.5        |               |         |             |          |             |               |         |
| DC30        | 2401-000414 | C-AL;10uF,20%,16V,GP,TP,4x7.5            |               |         |             |          |             |               |         |
| KC3A        | 2401-000480 | C-AL;10uF,20%,50V,GP,TP,5x11.5           |               |         |             |          |             |               |         |
| KC21        | 2401-000480 | C-AL;10uF,20%,50V,GP,TP,5x11.5           |               |         |             |          |             |               |         |
| FREE        | 2401-000588 | C-AL;1uF,20%,50V,GP,TP,3x5,2.5           |               |         |             |          |             |               |         |
| FC9         | 2401-000588 | C-AL;1uF,20%,50V,GP,TP,3x5,2.5           |               |         |             |          |             |               |         |
| FC8         | 2401-000588 | C-AL;1uF,20%,50V,GP,TP,3x5,2.5           |               |         |             |          |             |               |         |
| DC20        | 2401-000588 | C-AL;1uF,20%,50V,GP,TP,3x5,2.5           |               |         |             |          |             |               |         |
| FC22        | 2401-000588 | C-AL;1uF,20%,50V,GP,TP,3x5,2.5           |               |         |             |          |             |               |         |
| FC23        | 2401-000588 | C-AL;1uF,20%,50V,GP,TP,3x5,2.5           |               |         |             |          |             |               |         |
| DC9         | 2401-000651 | C-AL;2.2uF,20%,50V,GP,TP,4x7.5           |               |         |             |          |             |               |         |
| DVC2        | 2401-000651 | C-AL;2.2uF,20%,50V,GP,TP,4x7.5           |               |         |             |          |             |               |         |
| DVC3        | 2401-000651 | C-AL;2.2uF,20%,50V,GP,TP,4x7.5           |               |         |             |          |             |               |         |
| DVC5        | 2401-000651 | C-AL;2.2uF,20%,50V,GP,TP,4x7.5           |               |         |             |          |             |               |         |
| FC18        | 2401-000651 | C-AL;2.2uF,20%,50V,GP,TP,4x7.5           |               |         |             |          |             |               |         |
| FC19        | 2401-000651 | C-AL;2.2uF,20%,50V,GP,TP,4x7.5           |               |         |             |          |             |               |         |
| AC12        | 2401-000651 | C-AL;2.2uF,20%,50V,GP,TP,4x7.5           |               |         |             |          |             |               |         |
| DC27        | 2401-000651 | C-AL;2.2uF,20%,50V,GP,TP,4x7.5           |               |         |             |          |             |               |         |
| DC28        | 2401-000651 | C-AL;2.2uF,20%,50V,GP,TP,4x7.5           |               |         |             |          |             |               |         |
| DC34        | 2401-000651 | C-AL;2.2uF,20%,50V,GP,TP,4x7.5           |               |         |             |          |             |               |         |
| DC6         | 2401-000651 | C-AL;2.2uF,20%,50V,GP,TP,4x7.5           |               |         |             |          |             |               |         |
| DC8         | 2401-000651 | C-AL;2.2uF,20%,50V,GP,TP,4x7.5           |               |         |             |          |             |               |         |
| FREE        | 2401-000778 | C-AL;220uF,20%,10V,GP,6.3x11.2.5m        |               |         |             |          |             |               |         |
| DC2         | 2401-000778 | C-AL;220uF,20%,10V,GP,6.3x11.2.5m        |               |         |             |          |             |               |         |
| FC36        | 2401-001020 | C-AL;3.3uF,20%,50V,GP,TP,4X7.5           |               |         |             |          |             |               |         |
| FC35        | 2401-001020 | C-AL;3.3uF,20%,50V,GP,TP,4X7.5           |               |         |             |          |             |               |         |
| FC34        | 2401-001020 | C-AL;3.3uF,20%,50V,GP,TP,4X7.5           |               |         |             |          |             |               |         |
| FC1         | 2401-001020 | C-AL;3.3uF,20%,50V,GP,TP,4X7.5           |               |         |             |          |             |               |         |
| DC36        | 2401-001020 | C-AL;3.3uF,20%,50V,GP,TP,4X7.5           |               |         |             |          |             |               |         |
| AC15        | 2401-001080 | C-AL;330nF,20%,50V,GP,5x11.2mm           |               |         |             |          |             |               |         |
| DC4         | 2401-001102 | C-AL;330uF,20%,16V,GP,TP,8x11.5mm,5      |               |         |             |          |             |               |         |
| CC5         | 2401-001164 | C-AL;33uF,20%,16V,GP,TP,5x11mm,5mm       |               |         |             |          |             |               |         |
| AC14        | 2401-001164 | C-AL;33uF,20%,16V,GP,TP,5x11mm,5mm       |               |         |             |          |             |               |         |
| DC32        | 2401-001508 | C-AL;47uF,20%,16V,GP,TP,6.3x5.5          |               |         |             |          |             |               |         |
| DC21        | 2401-001508 | C-AL;47uF,20%,16V,GP,TP,6.3x5.5          |               |         |             |          |             |               |         |
| DC12        | 2401-001508 | C-AL;47uF,20%,16V,GP,TP,6.3x5.5          |               |         |             |          |             |               |         |
| KC23        | 2401-001893 | C-AL;100uF,20%,16V,GP,TP,6.3x7.5         |               |         |             |          |             |               |         |
| FREE        | 2401-001893 | C-AL;100uF,20%,16V,GP,TP,6.3x7.5         |               |         |             |          |             |               |         |
| FC5         | 2401-001893 | C-AL;100uF,20%,16V,GP,TP,6.3x7.5         |               |         |             |          |             |               |         |
| FREE        | 2401-001952 | C-AL;4.7uF,20%,50V,GP,TP,5x7mm,5mm       |               |         |             |          |             |               |         |
| FC4         | 2401-001952 | C-AL;4.7uF,20%,50V,GP,TP,5x7mm,5mm       |               |         |             |          |             |               |         |
| FC33        | 2401-001952 | C-AL;4.7uF,20%,50V,GP,TP,5x7mm,5mm       |               |         |             |          |             |               |         |
| FC25        | 2401-001952 | C-AL;4.7uF,20%,50V,GP,TP,5x7mm,5mm       |               |         |             |          |             |               |         |
| FC2         | 2401-001952 | C-AL;4.7uF,20%,50V,GP,TP,5x7mm,5mm       |               |         |             |          |             |               |         |
| FREE        | 2401-002594 | C-AL;220uF,20%,16V,GP,TP,8x11.5.5        |               |         |             |          |             |               |         |
| DL3         | 2701-000298 | INDUCTOR-AXIAL,470uH,10%,4298            |               |         |             |          |             |               |         |
|             | 3602-000147 | FUSE-CLIP;250V,7.5A,30mohm               |               |         |             |          |             |               |         |
|             | AH41-00659A | PCB;MAX-VJ730/ZJ650,###,1 LAYER,-        |               |         |             |          |             |               |         |
|             | AH97-01111A | ASSY-CA?DECK,-,MAX-S720,ASSY CA'DECK     |               |         |             |          |             |               |         |
|             | 6003-001446 | SCREW-TAPTITE;BH,+,M2,L5,N1 PLT          |               |         |             |          |             |               |         |
|             | AH39-00021A | LEAD CONNECTOR ASSY;UL153#28,300MM,-,-,  |               |         |             |          |             |               |         |
|             | AH39-20002D | LEAD CONNECTOR ASSY;5264,-,3P,300MM,2970 |               |         |             |          |             |               |         |
|             | AH61-00413B | BRACKET-DECK;MAX-B550,SPT 0.3T,0.3T,-,-  |               |         |             |          |             |               |         |
|             | AH59-01145A | DECK-CASSETTE;ADR268AMW1,MAXS560,-,-,DC1 |               |         |             |          |             |               |         |

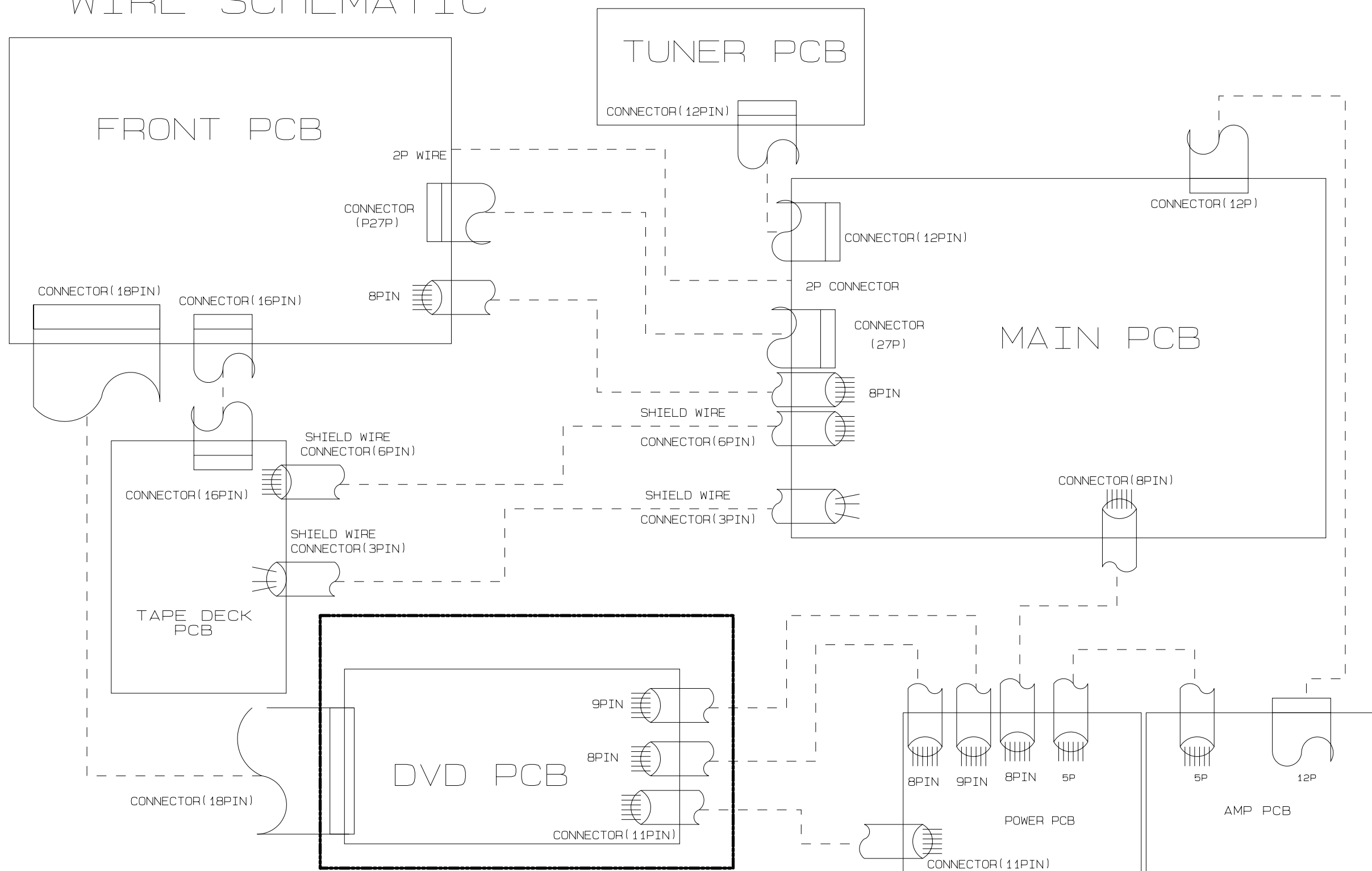
# 4. Block Diagram

## 4-1 MAIN



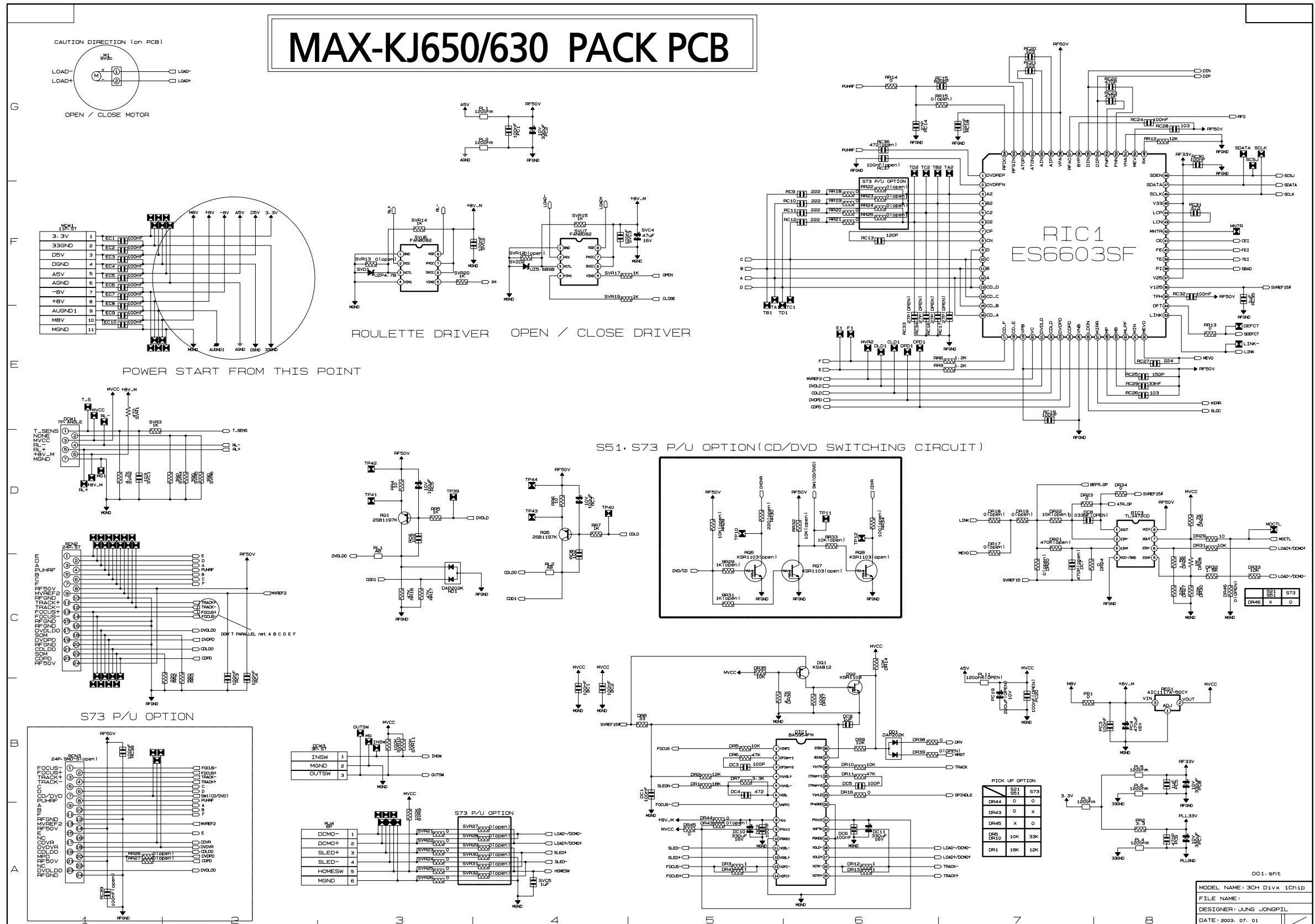
## 5. Wiring Diagram

MODEL : **MAX-KJ650/KJ630**  
 WIRE SCHEMATIC

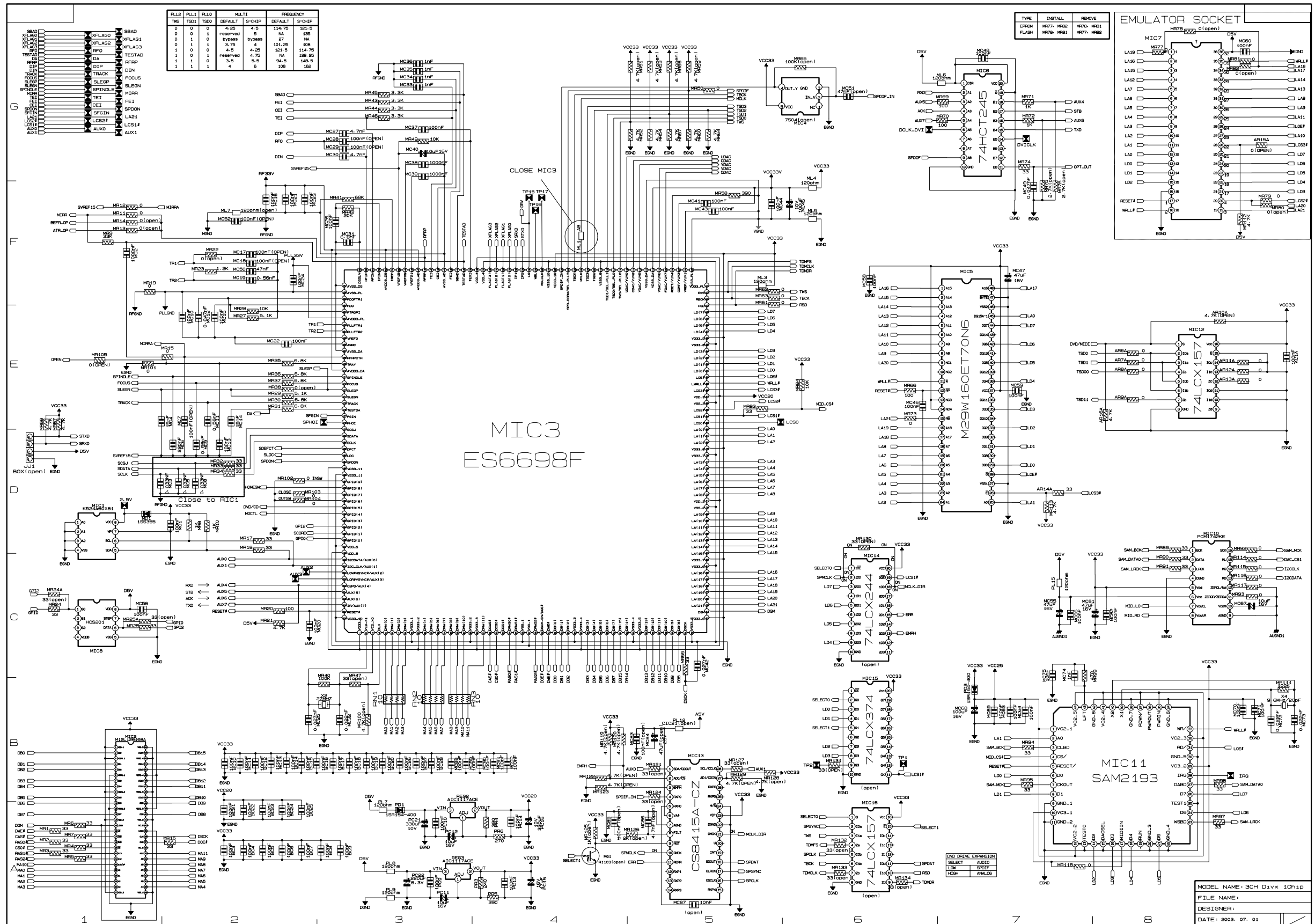


# 6. Schematic Diagram

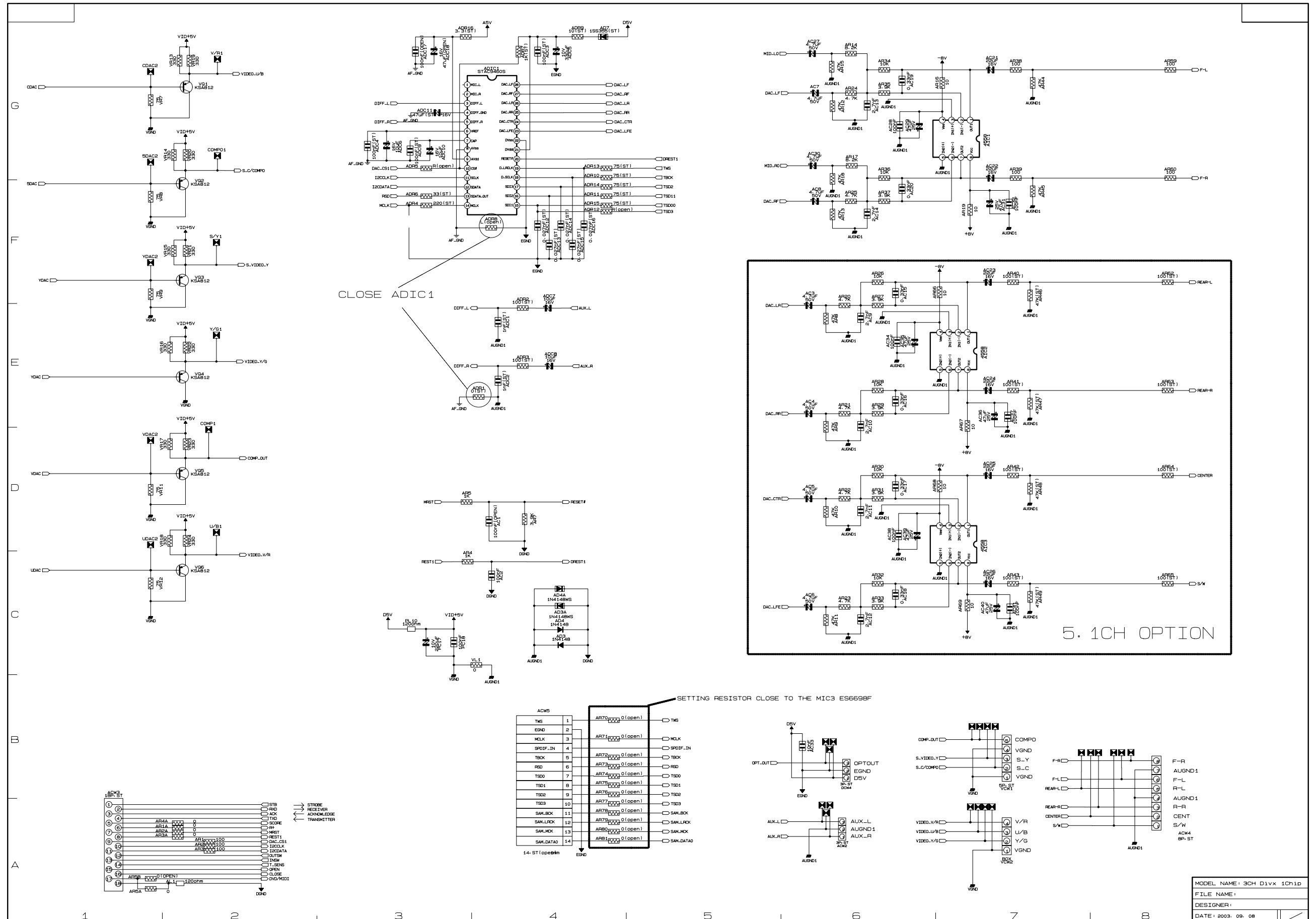
## 6-1 DVD Frontend parts (COMMON)



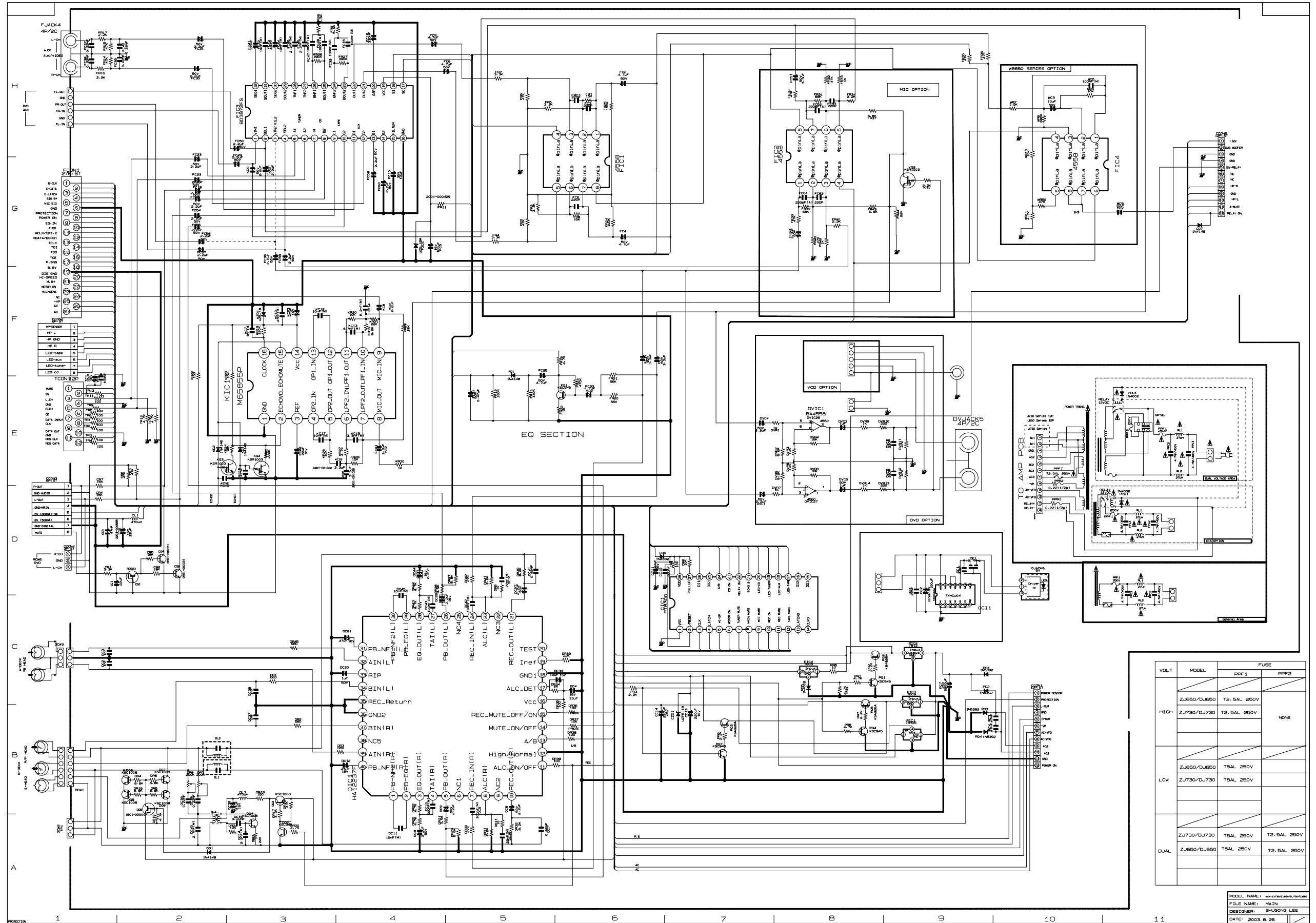
# 6-2 DVD Backend Parts(COMMON)



# 6-3 DVD DAC Parts(COMMON)

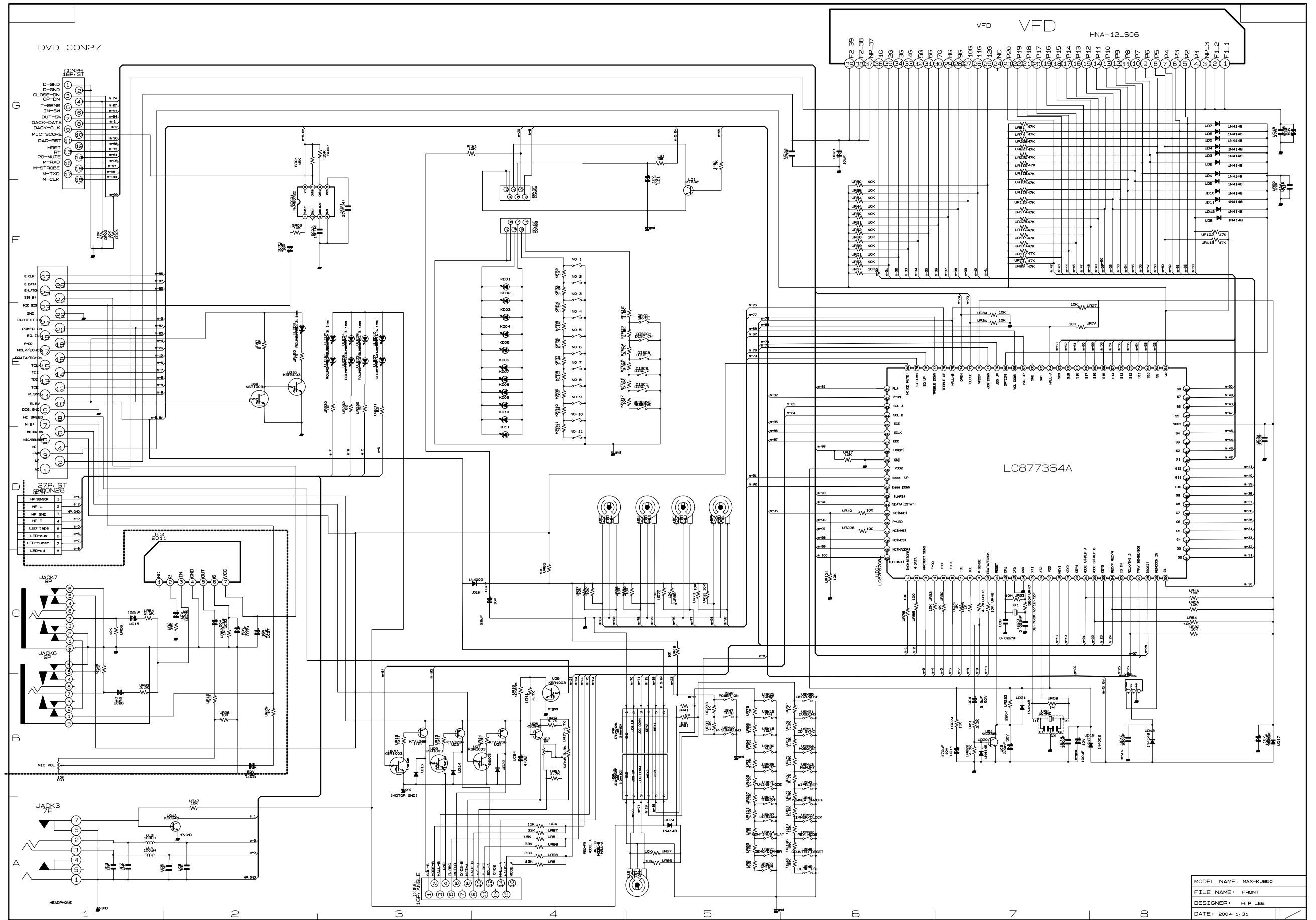


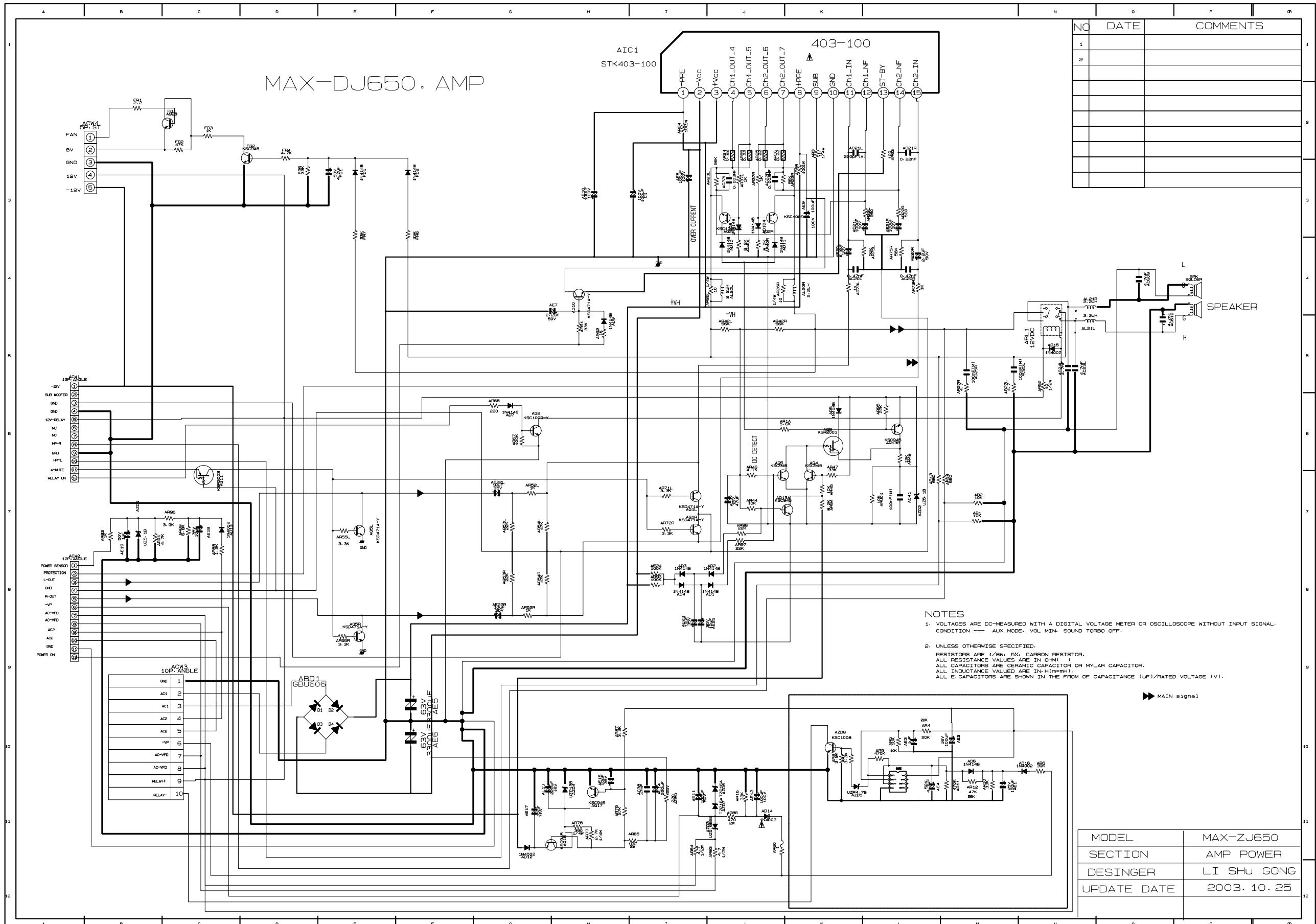




| VOLT | MODEL       | FLUSE        |              |
|------|-------------|--------------|--------------|
|      |             | PDF1         | PDF2         |
| HIGH | ZJ650/DJ650 | T2, 5A, 250V |              |
|      | ZJ730/DJ730 | T2, 5A, 250V | NONE         |
| LOW  | ZJ650/DJ650 | T5A, 250V    |              |
|      | ZJ730/DJ730 | T5A, 250V    |              |
| DUAL | ZJ730/DJ730 | T5A, 250V    | T2, 5A, 250V |
|      | ZJ650/DJ650 | T5A, 250V    | T2, 5A, 250V |

MODEL NAME: SH-2700/2700/2700/2700  
 FILE NAME: MAIN  
 DESIGNER: SHUNGONG LEE  
 DATE: 2003.8.26





MAX-DJ650 AMP

| NO | DATE | COMMENTS |
|----|------|----------|
| 1  |      |          |
| 2  |      |          |
| 3  |      |          |
| 4  |      |          |
| 5  |      |          |
| 6  |      |          |
| 7  |      |          |
| 8  |      |          |
| 9  |      |          |
| 10 |      |          |
| 11 |      |          |

- NOTES
- VOLTAGES ARE DC-MEASURED WITH A DIGITAL VOLTAGE METER OR OSCILLOSCOPE WITHOUT INPUT SIGNAL. CONDITION --- AUX MODE. VOL MIN. SOUND TORBO OFF.
  - UNLESS OTHERWISE SPECIFIED, RESISTORS ARE 1/8W 5% CARBON RESISTOR. ALL RESISTANCE VALUES ARE IN OHM. ALL CAPACITORS ARE CERAMIC CAPACITOR OR MYLAR CAPACITOR. ALL CAPACITANCE VALUE ARE IN H(MMH). ALL INDUCTANCE VALUE ARE IN H(MMH). ALL E-CAPACITORS ARE SHOWN IN THE FROM OF CAPACITANCE (UF)/RATED VOLTAGE (V).

|             |              |
|-------------|--------------|
| MODEL       | MAX-ZJ650    |
| SECTION     | AMP POWER    |
| DESINGER    | LI SHU GONG  |
| UPDATE DATE | 2003. 10. 25 |

**MAX-KJ650**  
**MAX-KJ630**



This Service Manual is a property of Samsung Electronics Co.,Ltd.  
Any unauthorized use of Manual can be punished under applicable  
international and/or domestic law.

© Samsung Electronics Co.,Ltd. SEP. 2004  
Printed in Korea  
Code no. AH68-01642D