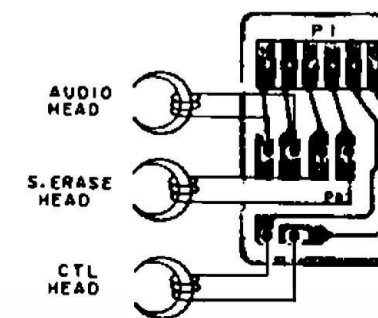


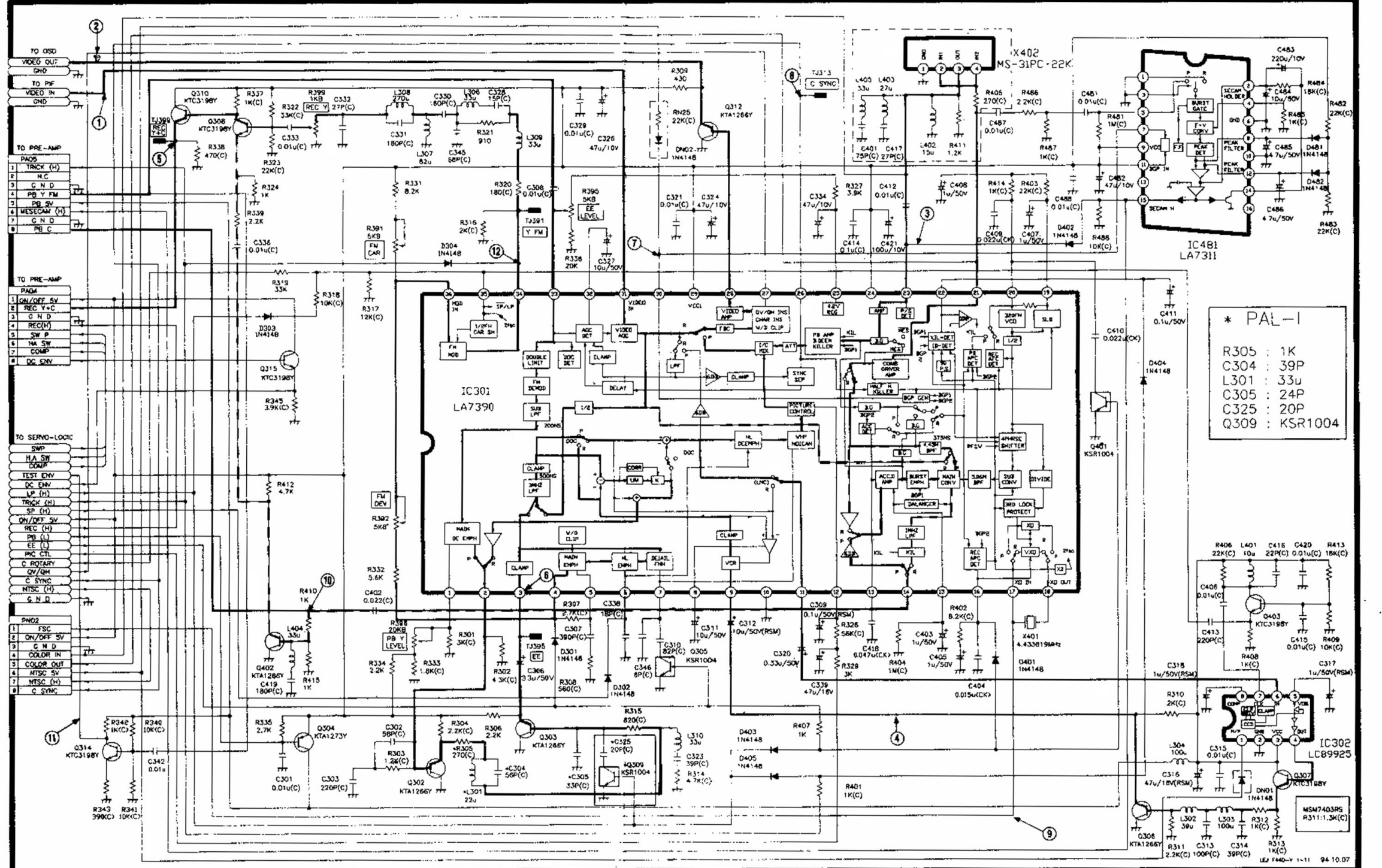
NOTE:
UNLESS OTHERWISE SPECIFIED
ALL RESISTORS IN OHMS
ALL ELECTROLYTIC CAPACITORS IN μ F/WV

—B (POWER SUPPLY) LINE

INDICATED VOLTAGES WERE
MEASURED DURING PB MODE.
(TAPE USED-PAL RECORDED
TAPE)

VS-P150EM
VS-R150EM
CONNECTION DIAGRAM
SCHEMATIC DIAGRAM





* PAL-I

R305 : 1K
 C304 : 39P
 L301 : 33u
 C305 : 24P
 C325 : 20P
 Q309 : KSR1004

- TO OSD
 VIDEO OUT
 GND
 TO PF
 VIDEO IN
 GND
- TO PRE-AMP
 1 TRACK (H)
 2 H.C
 3 G.N.D
 4 PB Y FM
 5 PB SV
 6 MESECAM (H)
 7 G.N.D
 8 PB C
- TO PRE-AMP
 1 ON/OFF SV
 2 REC Y+C
 3 G.N.D
 4 REC (H)
 5 SW P
 6 IN FM COMP
 7 DC DRV
- TO SERVO-LOGIC
 SWP
 HA SW
 DCAMP
 TEST ENV
 DC ENV
 LP (H)
 TRUCK (H)
 SP (H)
 ON/OFF SV
 REC (H)
 PB (L)
 EE (L)
 INC CTL
 C ROTARY
 QV/QM
 C SYNC
 NTSC (H)
 G.N.D
- PN02
 1 FSC
 2 ON/OFF SV
 3 G.N.D
 4 COLOR IN
 5 COLOR OUT
 6 NTSC SV
 7 NTSC (H)
 8 C SYNC

IC302
 LC89925

IC401
 KTA1266Y

IC402
 KTA1266Y

IC403
 KTC3198Y

IC404
 KTA1266Y

IC405
 KTA1266Y

IC406
 KTA1266Y

IC407
 KTA1266Y

IC408
 KTA1266Y

IC409
 KTA1266Y

IC410
 KTA1266Y

IC411
 KTA1266Y

IC412
 KTA1266Y

IC413
 KTA1266Y

IC414
 KTA1266Y

IC415
 KTA1266Y

IC416
 KTA1266Y

IC417
 KTA1266Y

IC418
 KTA1266Y

IC419
 KTA1266Y

IC420
 KTA1266Y

IC421
 KTA1266Y

IC422
 KTA1266Y

IC423
 KTA1266Y

IC424
 KTA1266Y

IC425
 KTA1266Y

IC426
 KTA1266Y

IC427
 KTA1266Y

IC428
 KTA1266Y

IC429
 KTA1266Y

IC430
 KTA1266Y

IC431
 KTA1266Y

IC432
 KTA1266Y

IC433
 KTA1266Y

IC434
 KTA1266Y

IC435
 KTA1266Y

IC436
 KTA1266Y

IC437
 KTA1266Y

IC438
 KTA1266Y

IC439
 KTA1266Y

IC440
 KTA1266Y

IC441
 KTA1266Y

IC442
 KTA1266Y

IC443
 KTA1266Y

IC444
 KTA1266Y

IC445
 KTA1266Y

IC446
 KTA1266Y

IC447
 KTA1266Y

IC448
 KTA1266Y

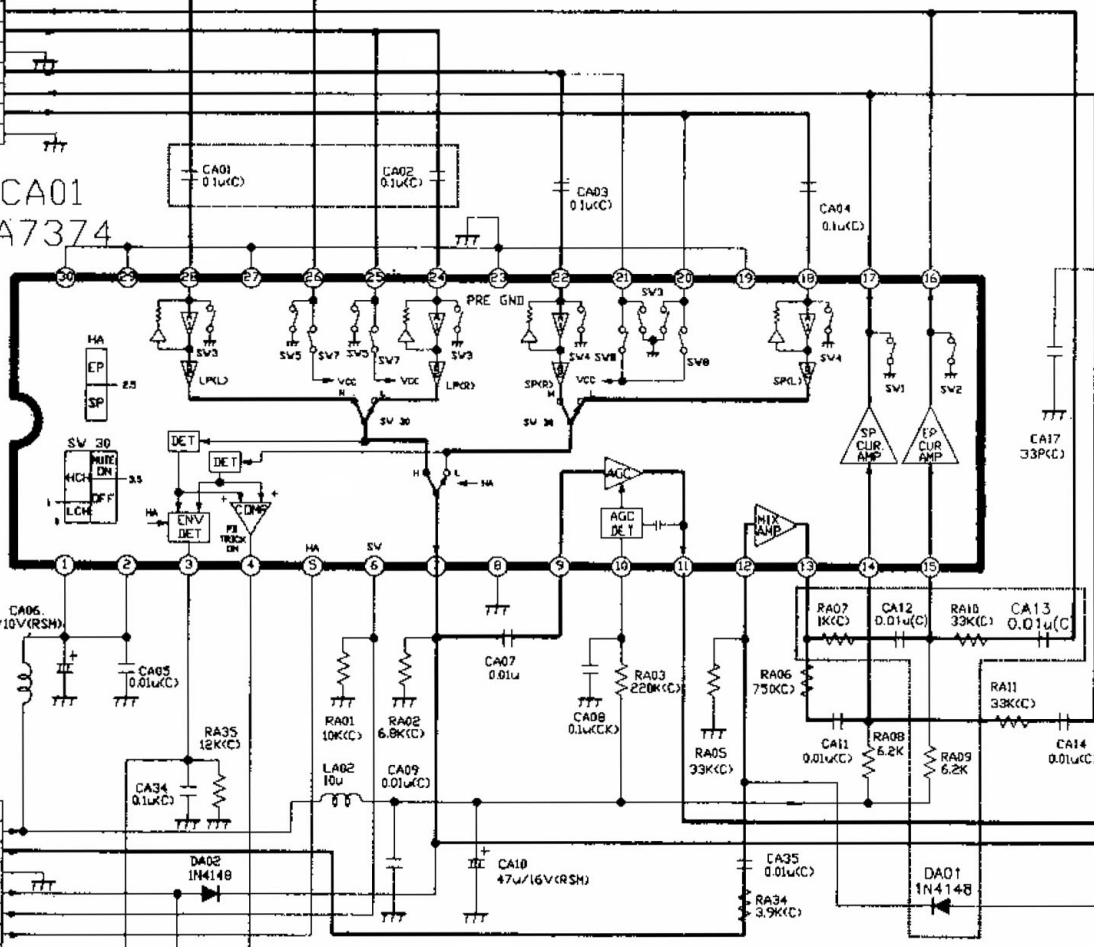
IC449
 KTA1266Y

IC450
 KTA1266Y

4HD 1-7
2HD 5-8
TO DECK

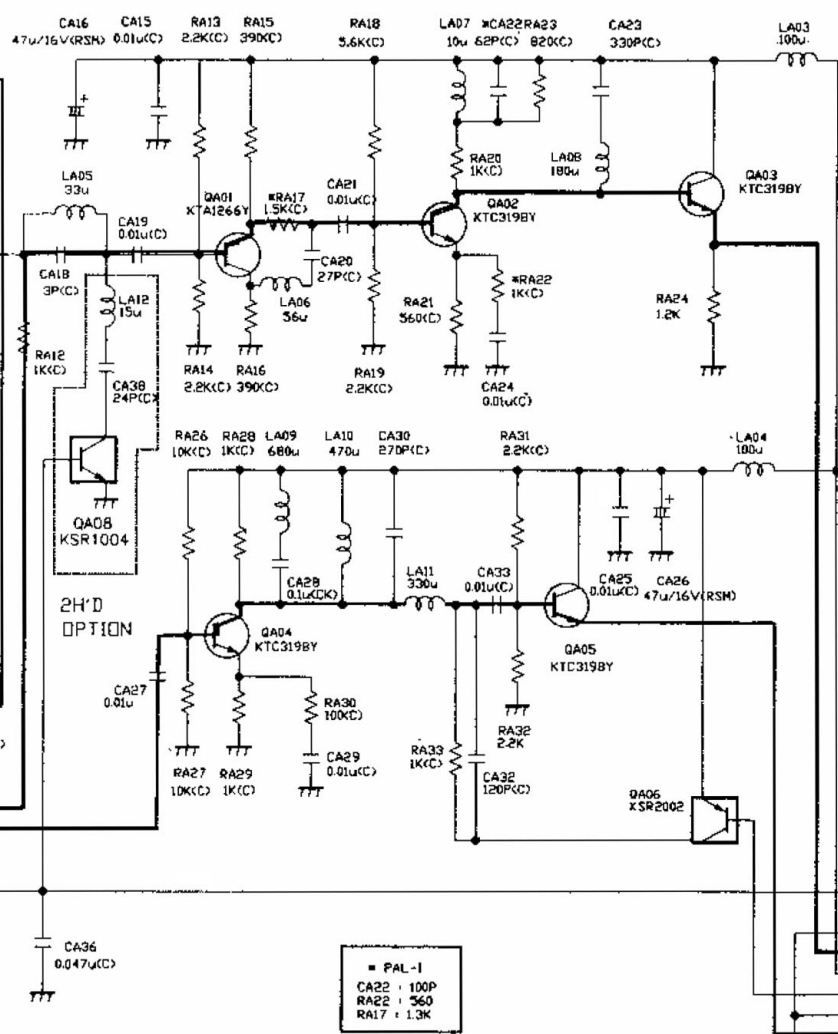
PA01	
1	LP (L)
2	LP CDM
3	LP (R)
4	G N D
5	SP (R)
6	SP CDM
7	SP (L)
8	G N D

ICA01
LA7374



TO VIDEO

PA02	
1	DN/OFF SV
2	REC Y+C
3	G N D
4	REC (H)
5	SV PULSE
6	HA SV
7	ENVE COMP
8	DC ENV

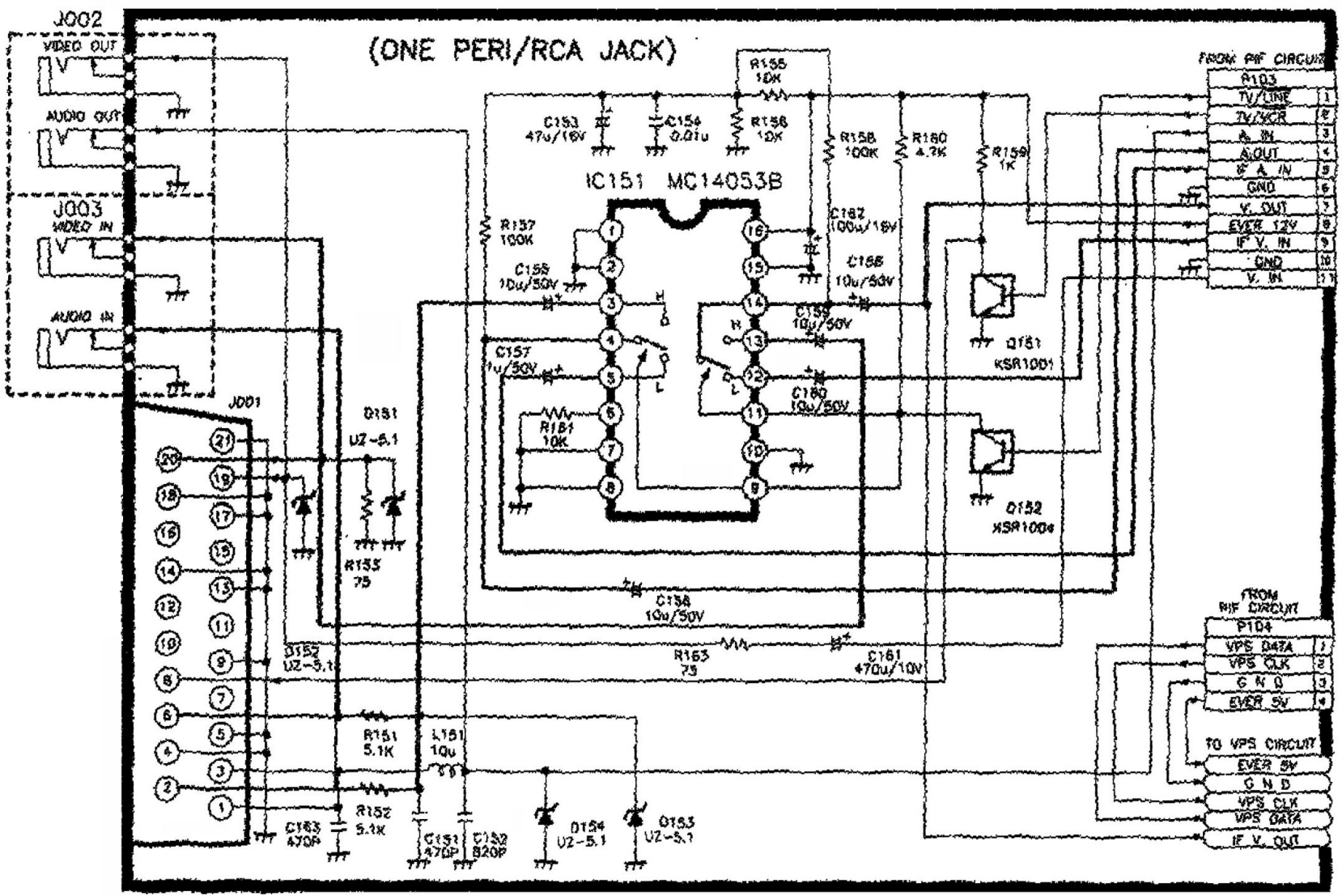


• PAL-1
CA22 : 100P
RA22 : 560
RA17 : 1.3K

TO VIDEO

PA03	
1	TRICK (H)
2	NC
3	G N D
4	PB Y FM
5	PB 5V
6	MESECAM (H)
7	G N D
8	PB (C)

IN/OUT SW CIRCUIT 1

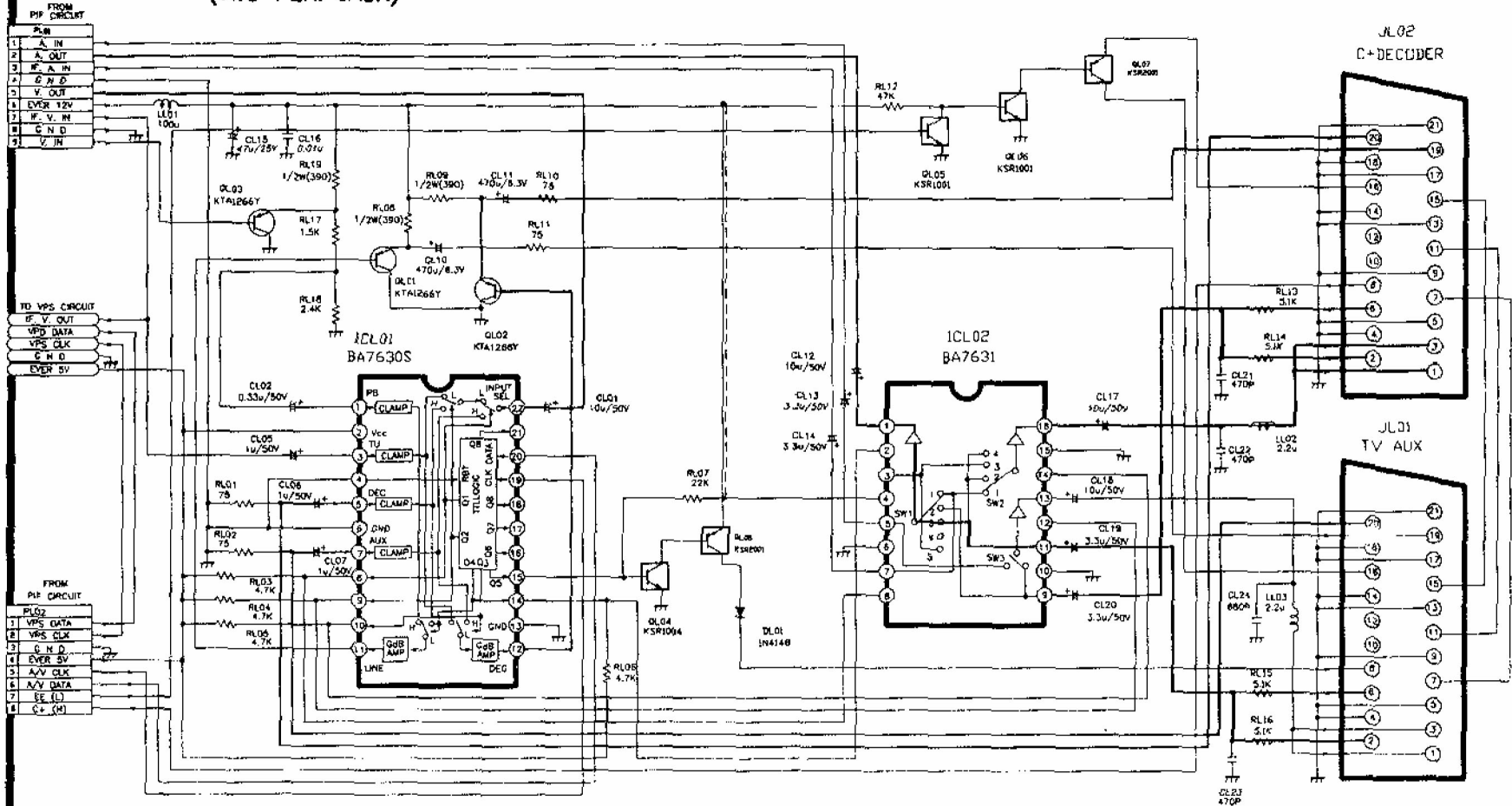


REC AUDIO SIGNAL
REC VIDEO SIGNAL

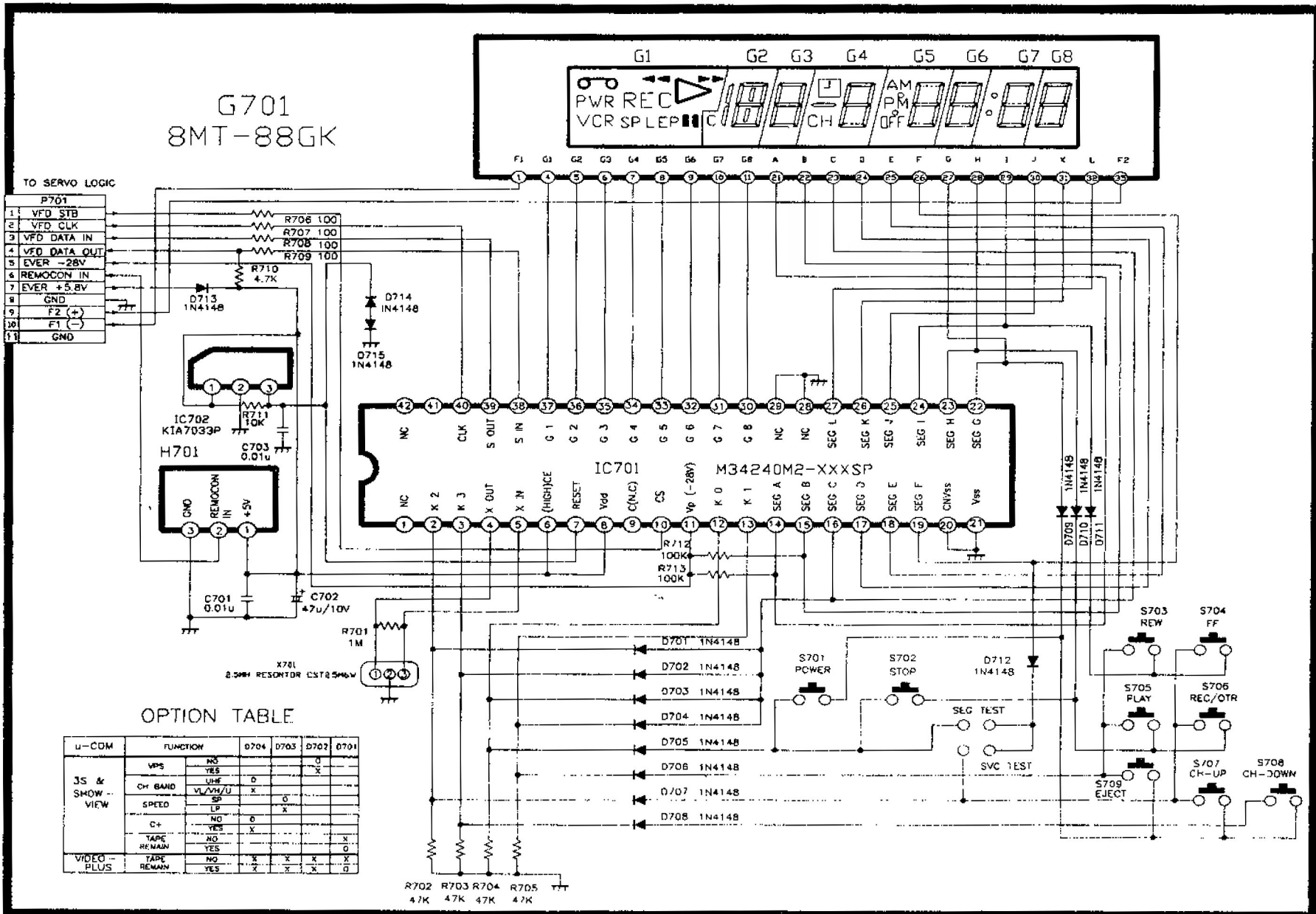
IN/OUT SW CIRCUIT II

— REC AUDIO SIGNAL
 — REC VIDEO SIGNAL

(TWO PERI JACK)



LOGIC CIRCUIT



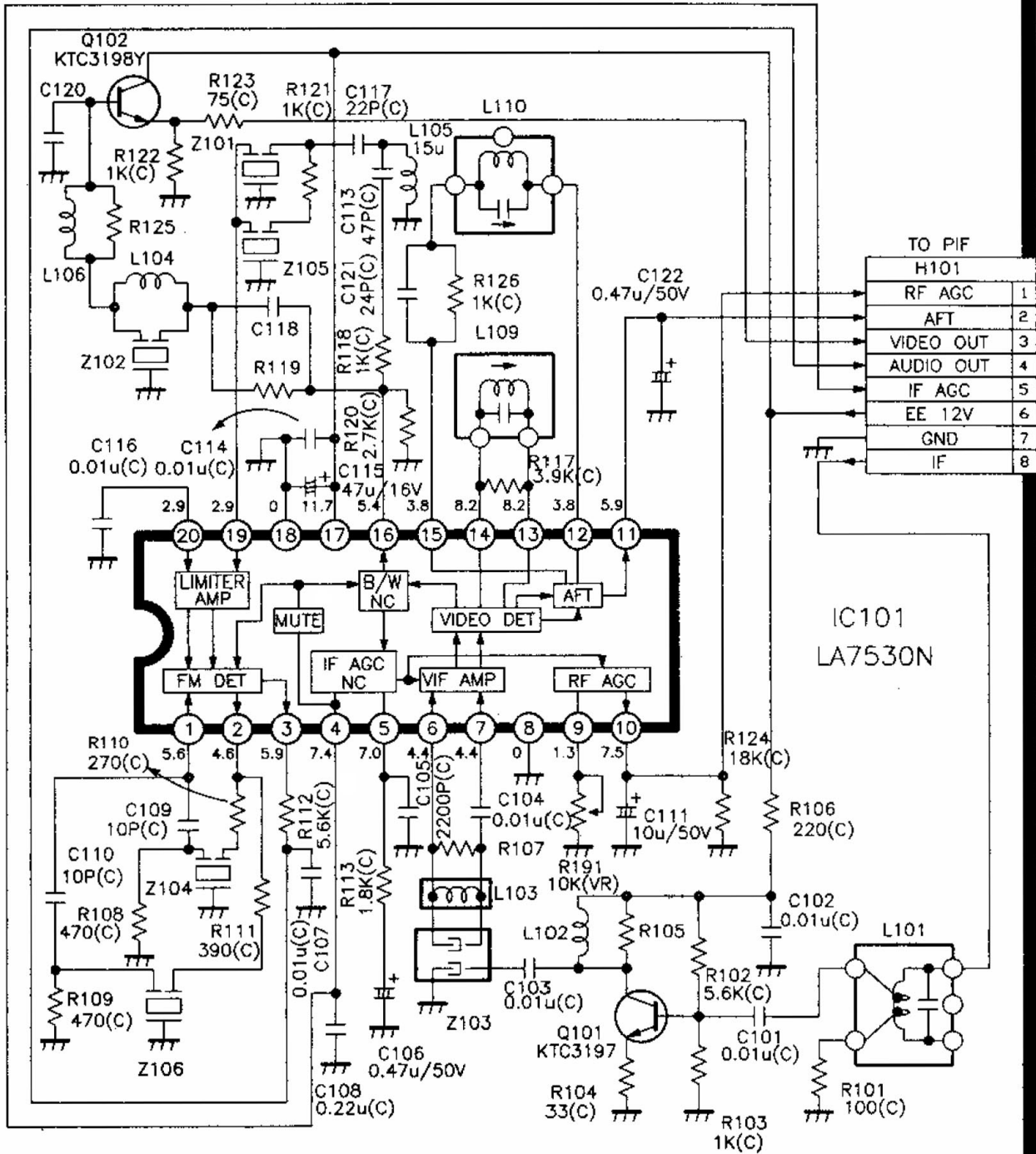
G701
8MT-88GK

- TO SERVO LOGIC
- | | |
|----|--------------|
| 1 | VFD STB |
| 2 | VFD CLK |
| 3 | VFD DATA IN |
| 4 | VFD DATA OUT |
| 5 | EVER -28V |
| 6 | REMOCON IN |
| 7 | EVER +5.8V |
| 8 | GND |
| 9 | F2 (+) |
| 10 | F1 (-) |
| 11 | GND |

OPTION TABLE

u-COM	FUNCTION	D704	D705	D707	D701
JS & SHOW VIEW	VPS	NO			0
		YES			X
	CH BAND	UHF	D		
		VH/VH/U	X		
	SPEED	SP		0	
	LP	NO	0		
		YES	X		
VIDEO PLUS	TAPE REMAIN	NO			X
		YES	X		0
VIDEO PLUS	TAPE REMAIN	NO	X	X	X
		YES	X	X	0

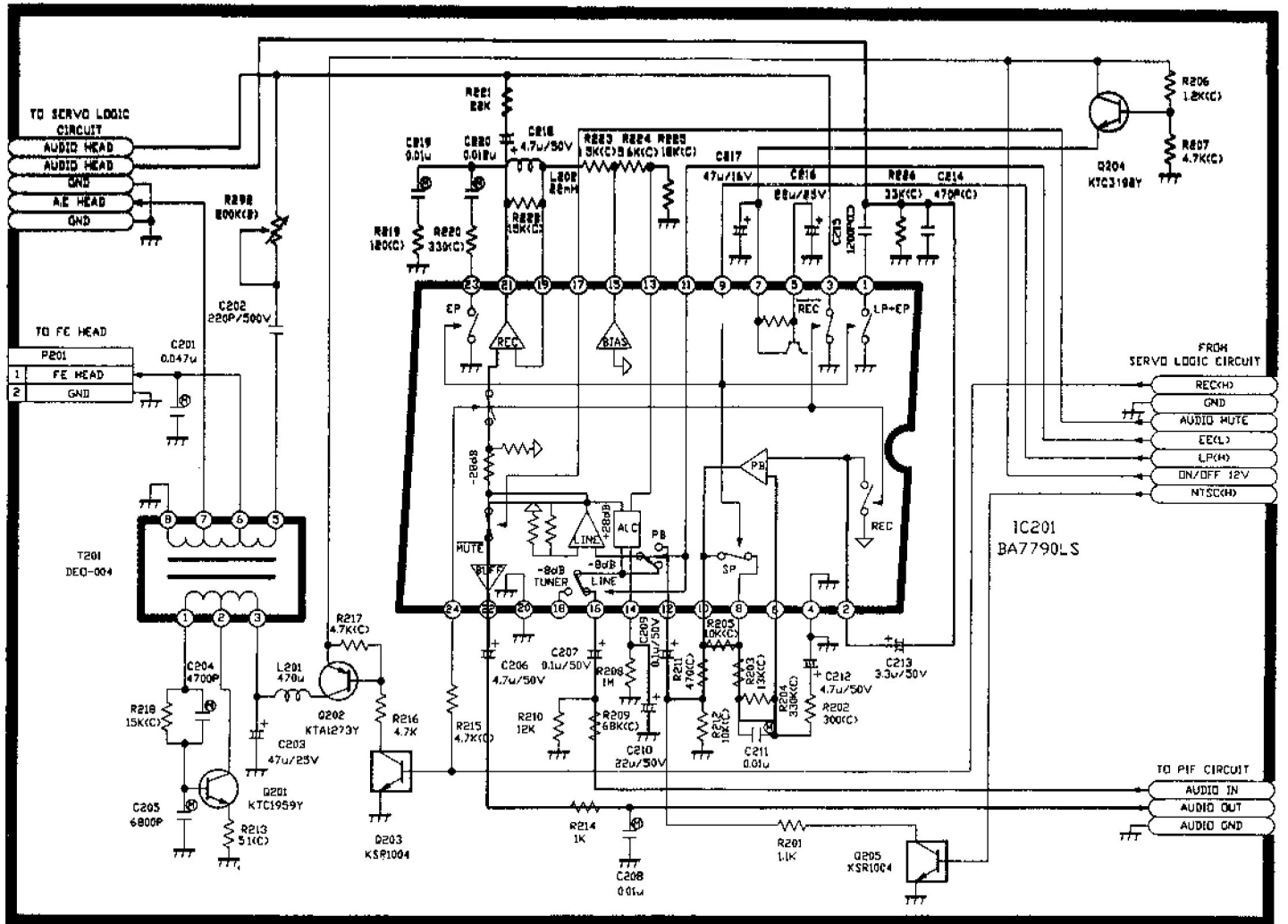
R702 47K R703 47K R704 47K R705 47K



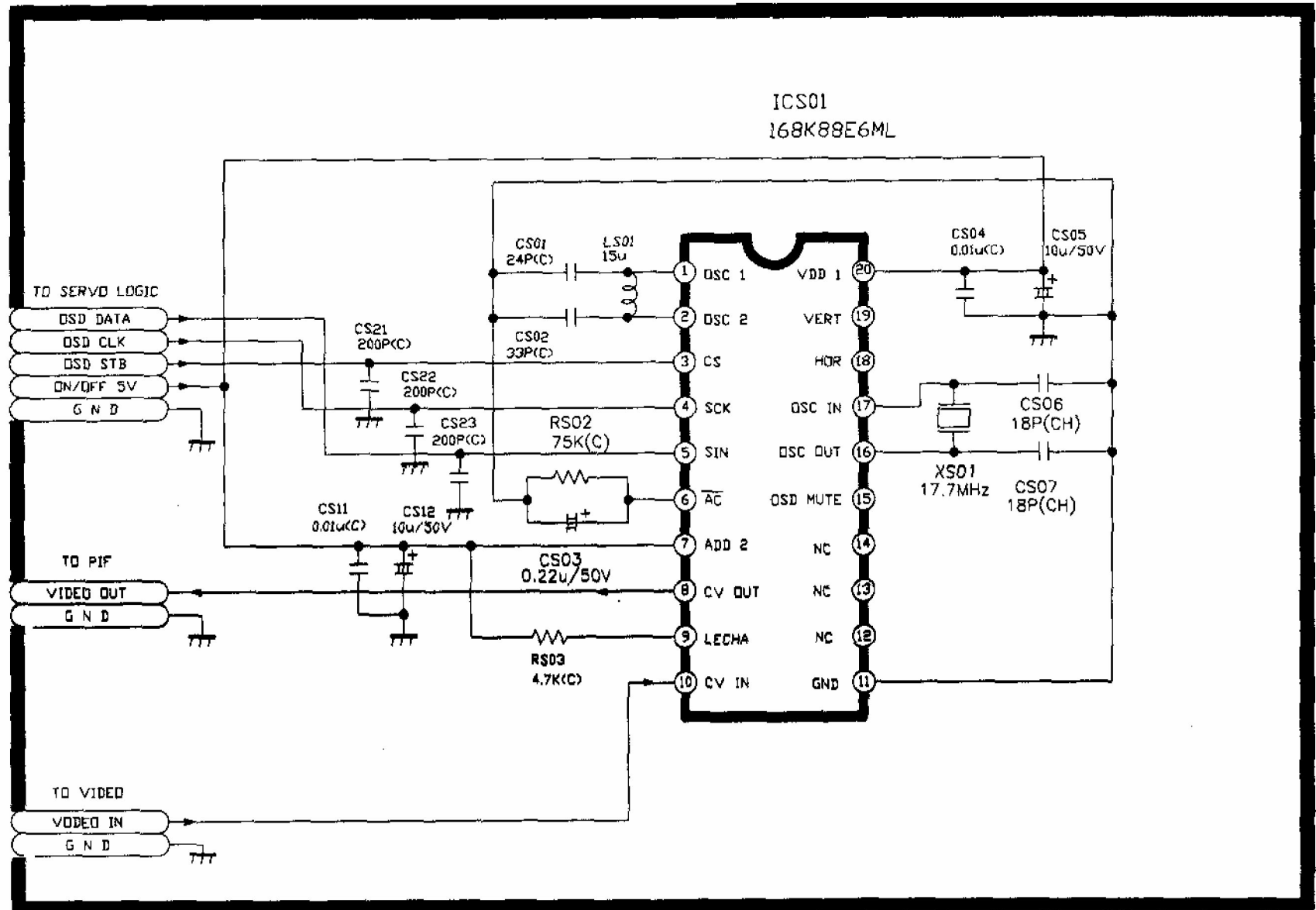
LINEAR AUDIO CIRCUIT

REC AUDIO SIGNAL

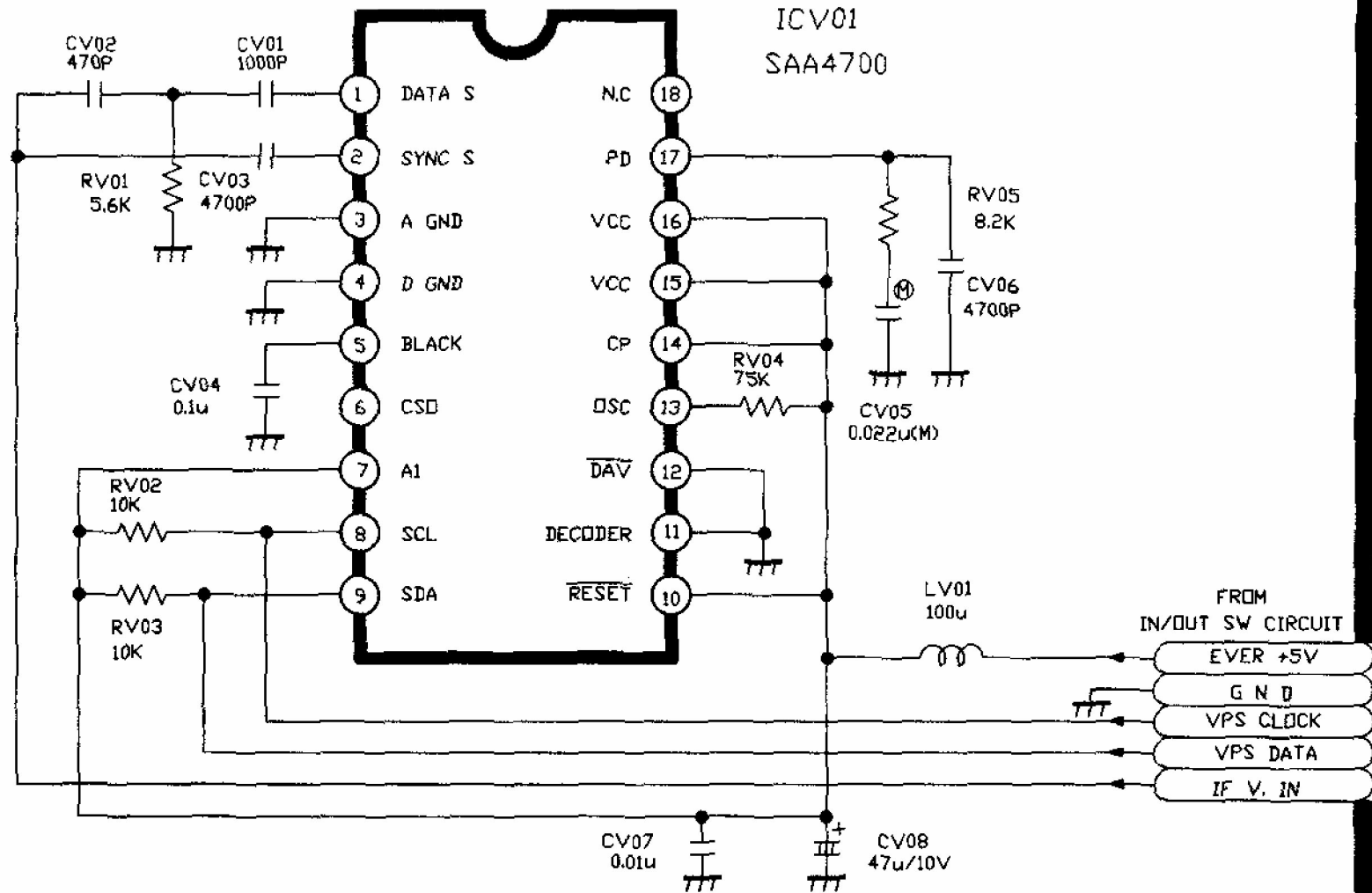
PB AUDIO SIGNAL



OSD CIRCUIT



VPS CIRCUIT



PIF CIRCUIT

