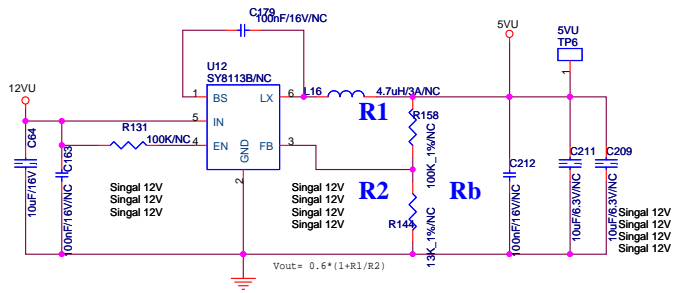
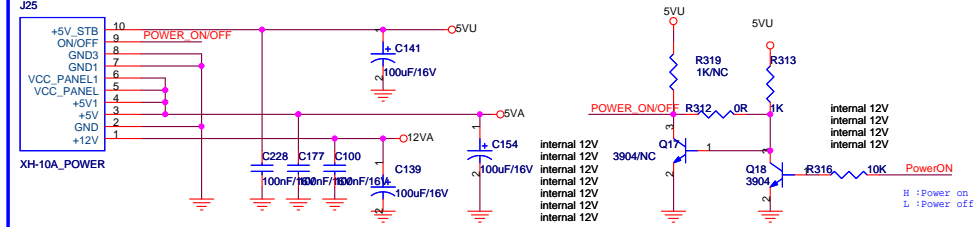


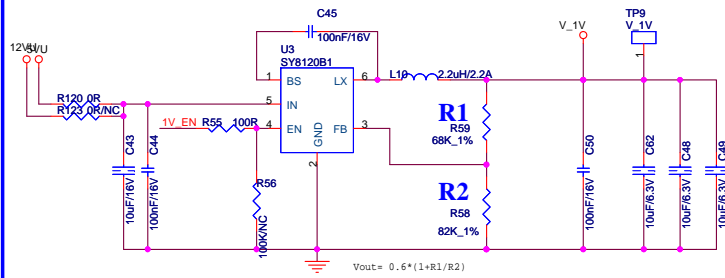
## +5V Standby POWER 3A



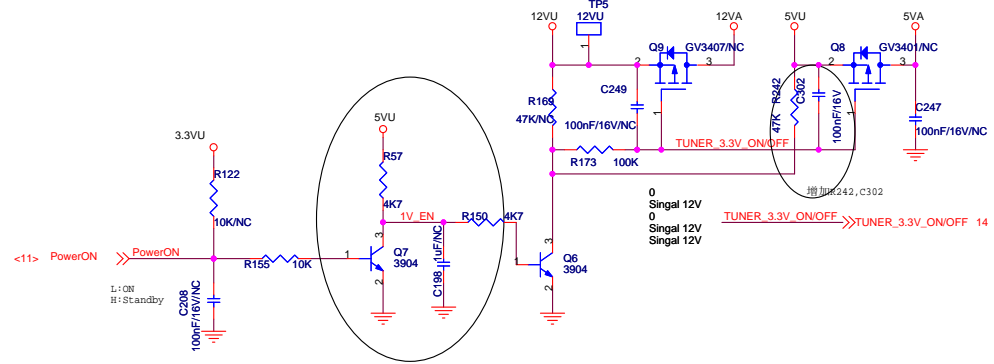
## 5V & 12V Switch Power



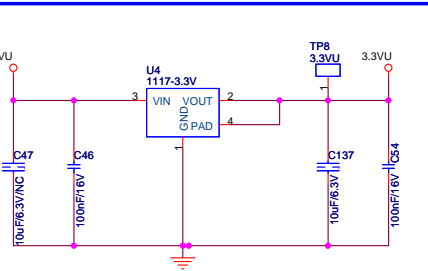
## 1V System Power 2A



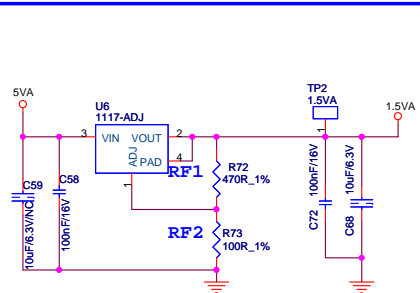
**IVDD\_SEL:**  
 H-->Q17 ON,  $V_{out} = V_{out} = 0.6 \cdot (1 + (R1 / (R2 // Rb))) = 1.099V$   
 L-->Q17 OFF,  $V_{out} = 0.6 \cdot (1 + R1/R2) = 1.009V$



## +3.3V STANDBY POWER

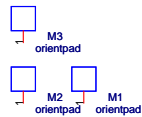
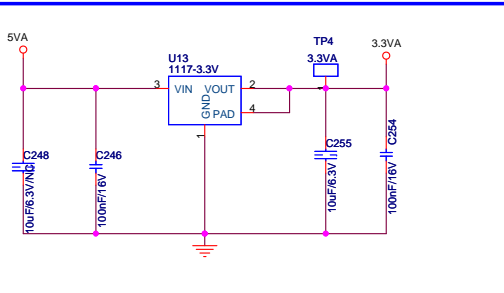


## 1.5V DDR Power

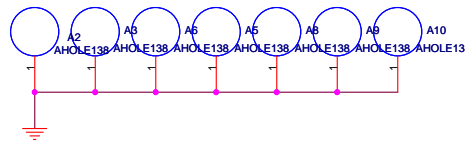


$V_{out} = V_{ref} \cdot (1 + (Rf2/Rf1)) + I_{adj} \cdot R2$   
 $V_{ref} = 1.25V$

## 3.3V System Power



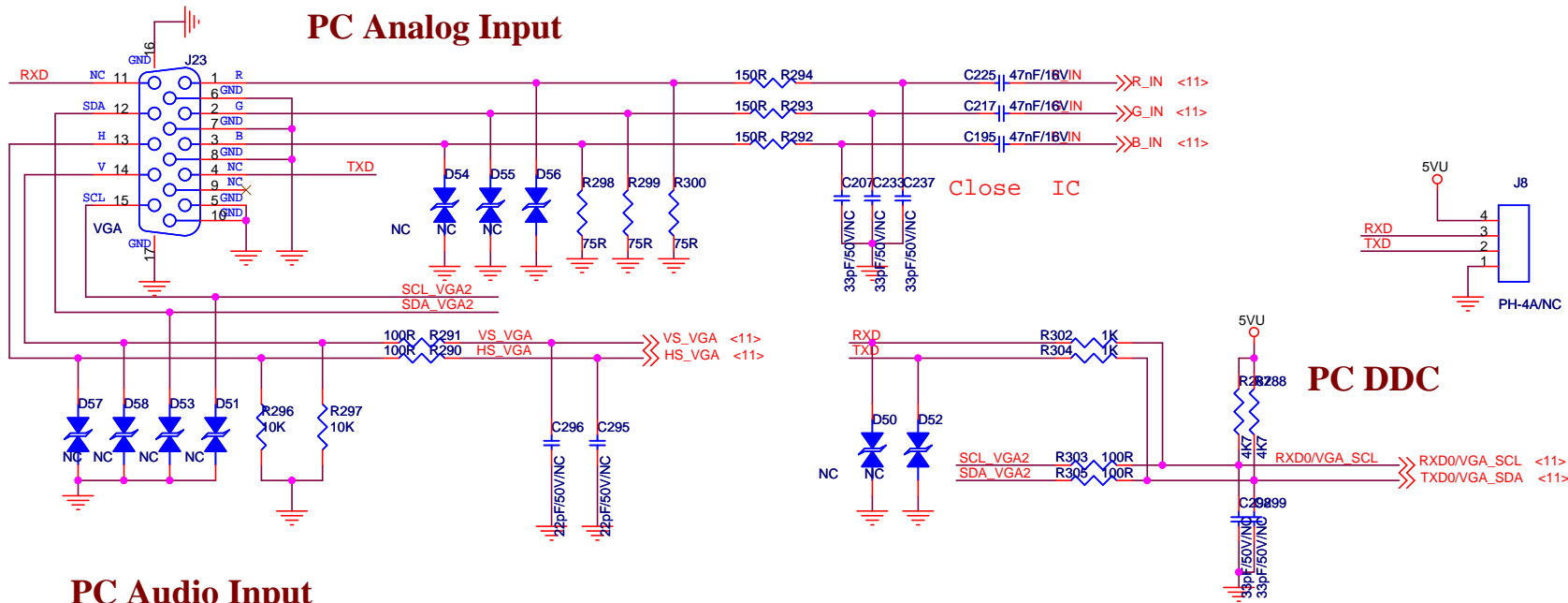
MARK



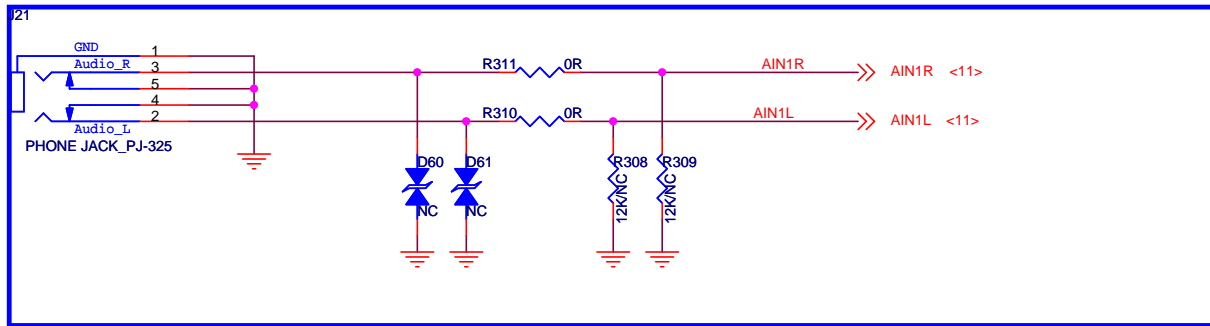
Title  
**CV512H-A**



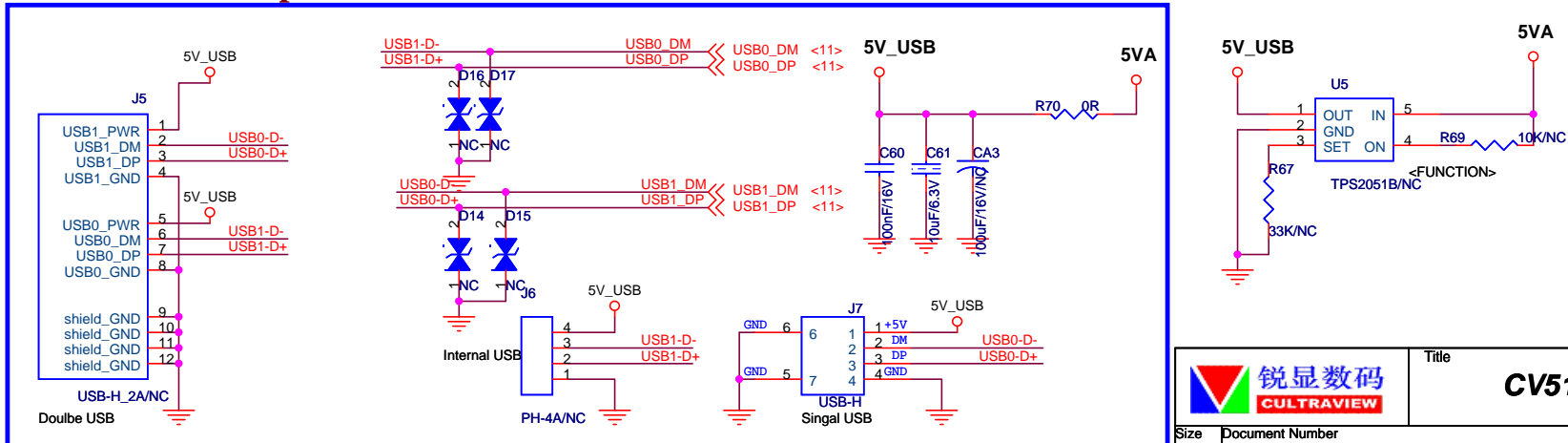
# PC Analog Input




# PC Audio Input

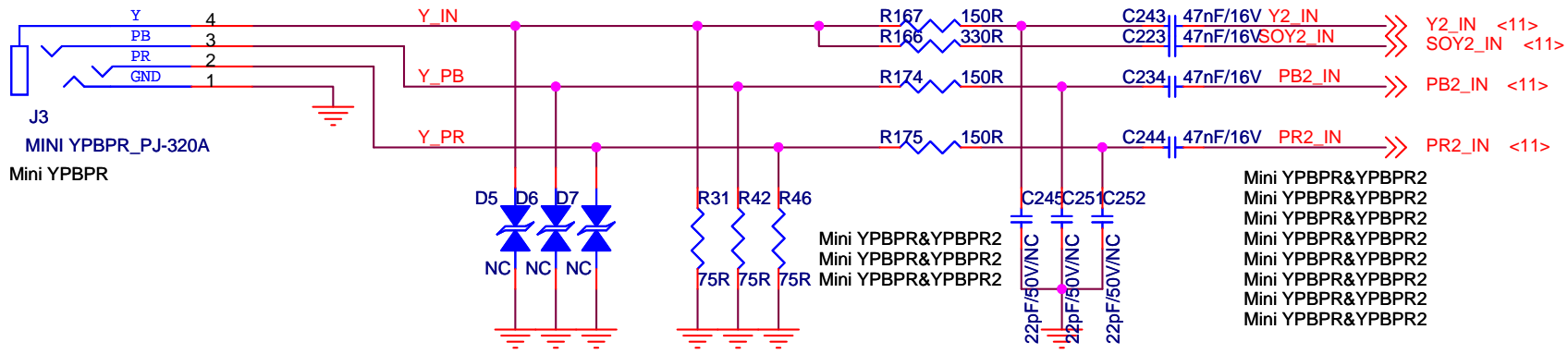


# Dual USB Input



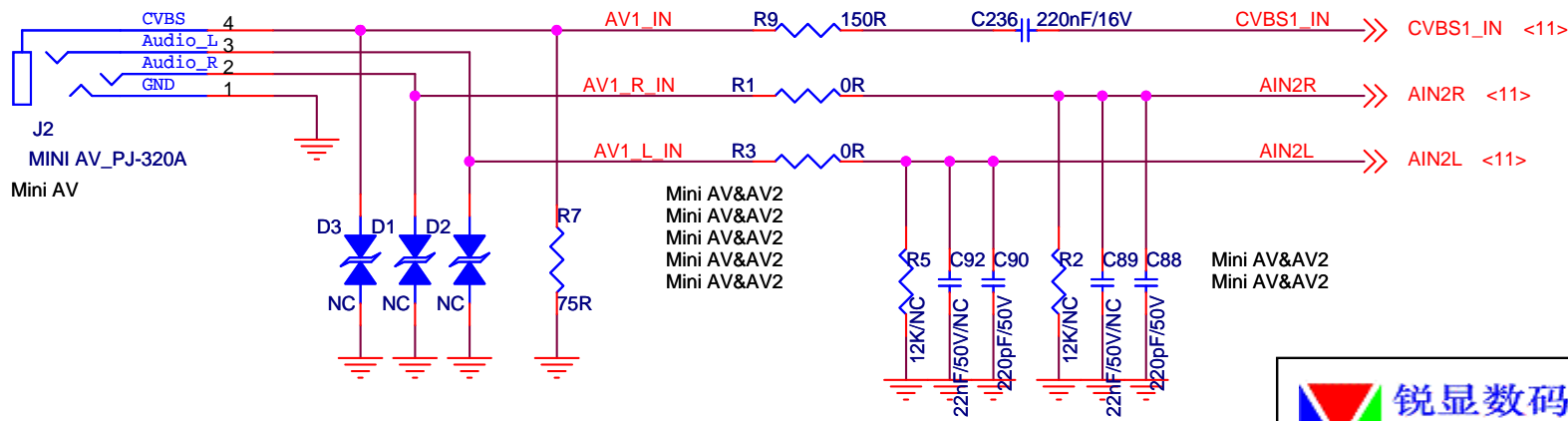
		Title	
		CV512H-A	
Size	Document Number	Rev	
Custom	PC & USB	12	
Date:	Tuesday, March 17, 2015	Sheet	5 of 14


# YPbPr Input



Close IC

# MINI AV Input

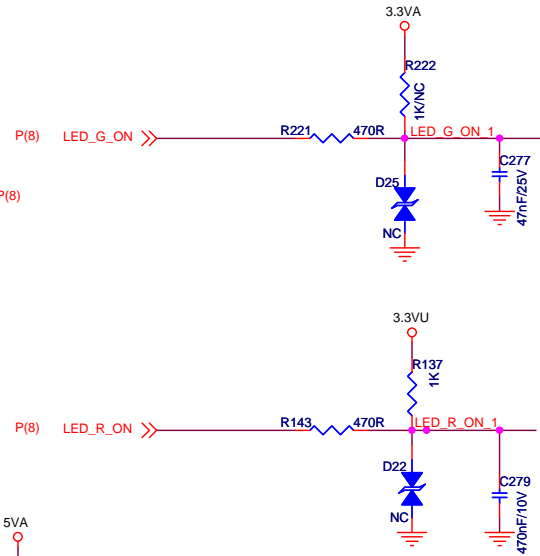
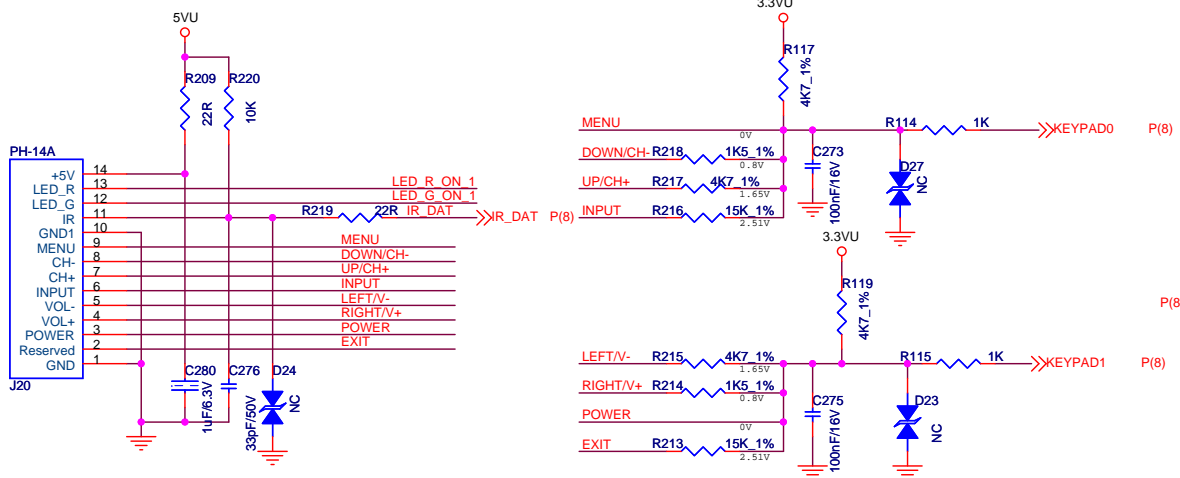


		Title <h2>CV512H-A</h2>	
Size A	Document Number <h3>YPbPr &amp; AV</h3>		Rev 12
Date: Tuesday, March 17, 2015		Sheet 6 of 14	

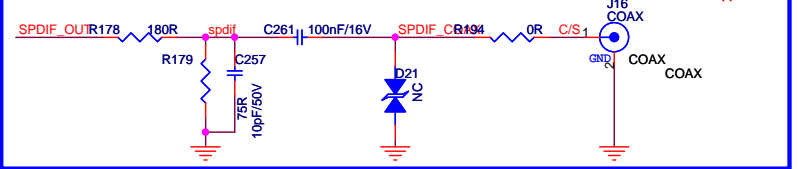




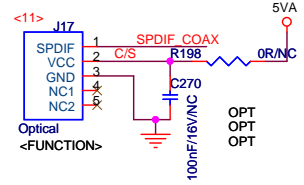
# KEYPAD & IR



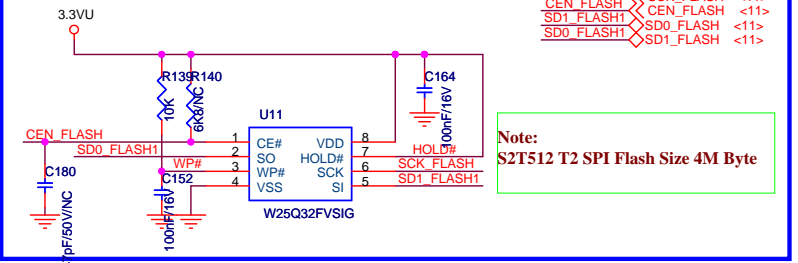
## SPDIF OUT




## SPDIF/COAX



## SPI Flash



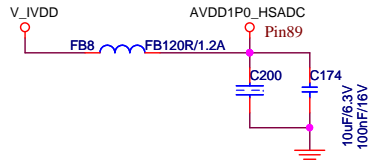
		Title <b>CV512H-A</b>	
Size	Document Number	KEYPAD & IR & FLASH	
B		Date: Tuesday, March 17, 2015	Sheet 9 of 14
			Rev 12



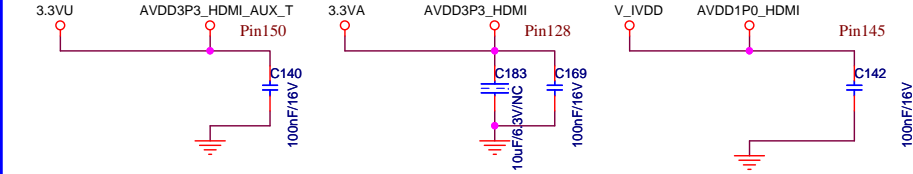


### ADC POWER/GND (1.0V/3.3V)

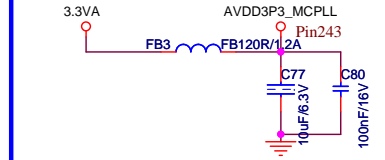
FB for ADC need  $R_{dc} < 0.015$ ,  $Z = 120/100\text{MHz}$ ,  $I_{dc} > 3A$   
 Default part MHC3216S121W



### HDMI POWER/GND (1.0V/3.3V)

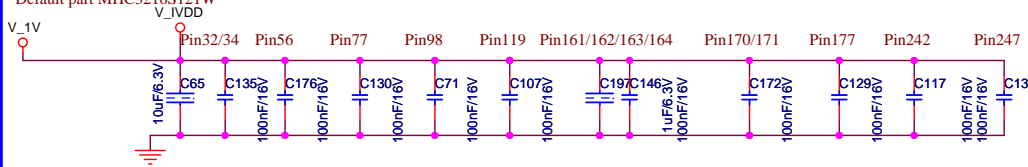


### PLL POWER/GND (3.3V)

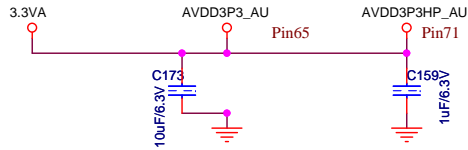


### IVDD POWER (1.0V)

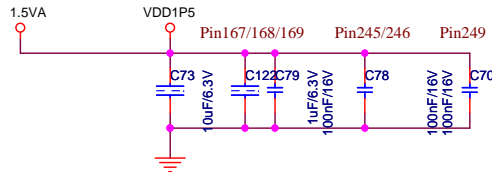
FB for CVDD need  $R_{dc} < 0.015$ ,  $Z = 120/100\text{MHz}$ ,  $I_{dc} > 3A$   
 Default part MHC3216S121W



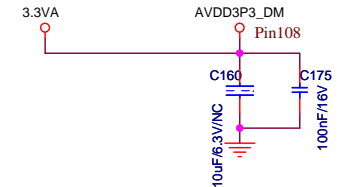
### AUDIO POWER/GND (3.3V)



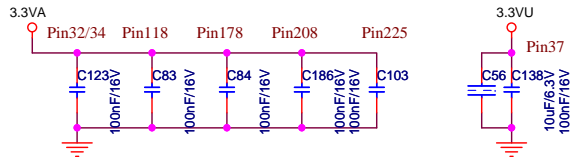
### DDR POWER (1.5V)



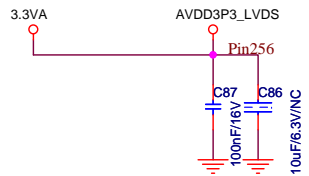
### DEMOD POWER/GND (3.3V/1.0V)



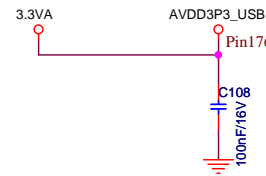
### 3.3V



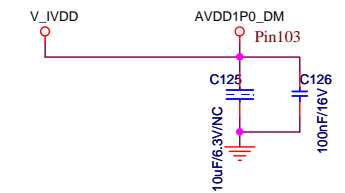
### LVDS POWER/GND (3.3V)



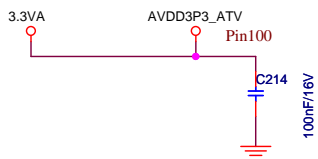
### USB POWER/GND (3.3V)



### AVDD1P0\_DM



### ATV POWER/GND (3.3V)

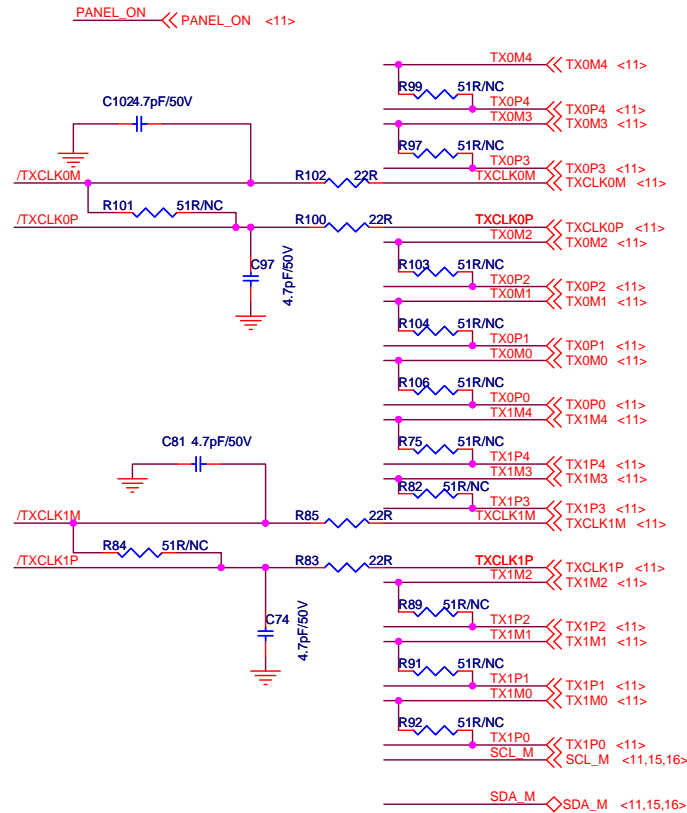
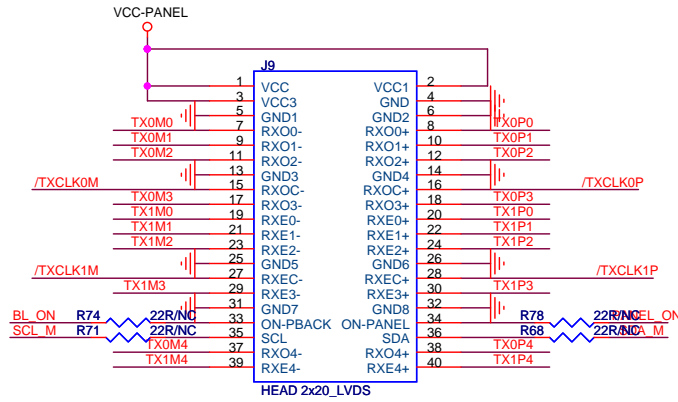


ALL FB except ADC, CVDD : need  $R_{dc} < 0.2$ ,  $Z = 300/100\text{MHz}$ ,  $I_{dc} > 500\text{mA}$   
 Default part : MCB2012S301H

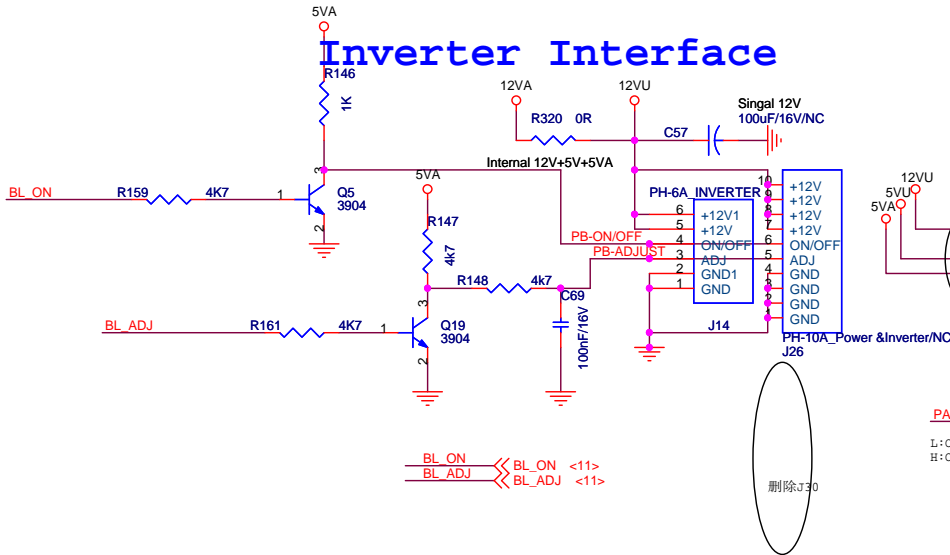


\*Short these ground planes on PCB

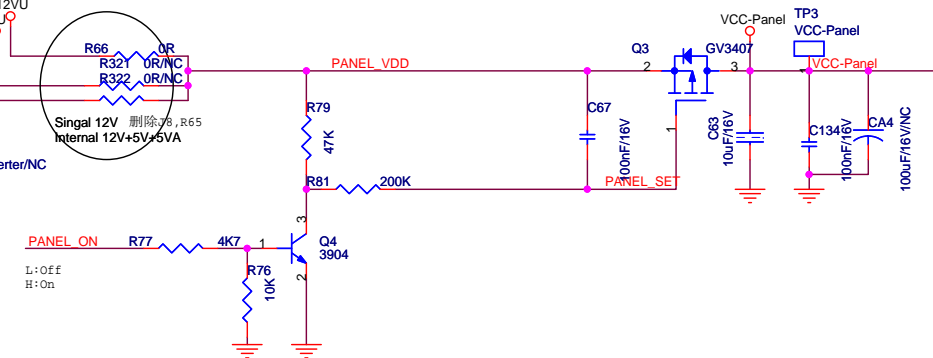
# Panel Interface



# Inverter Interface

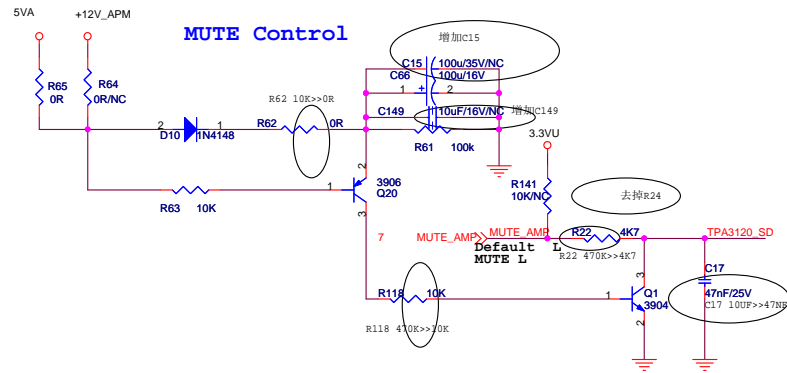
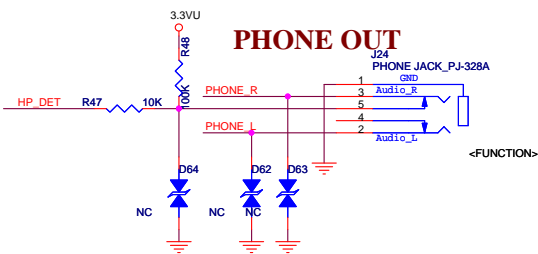
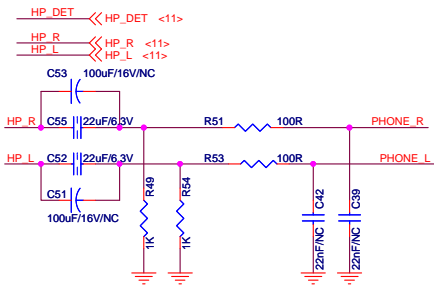
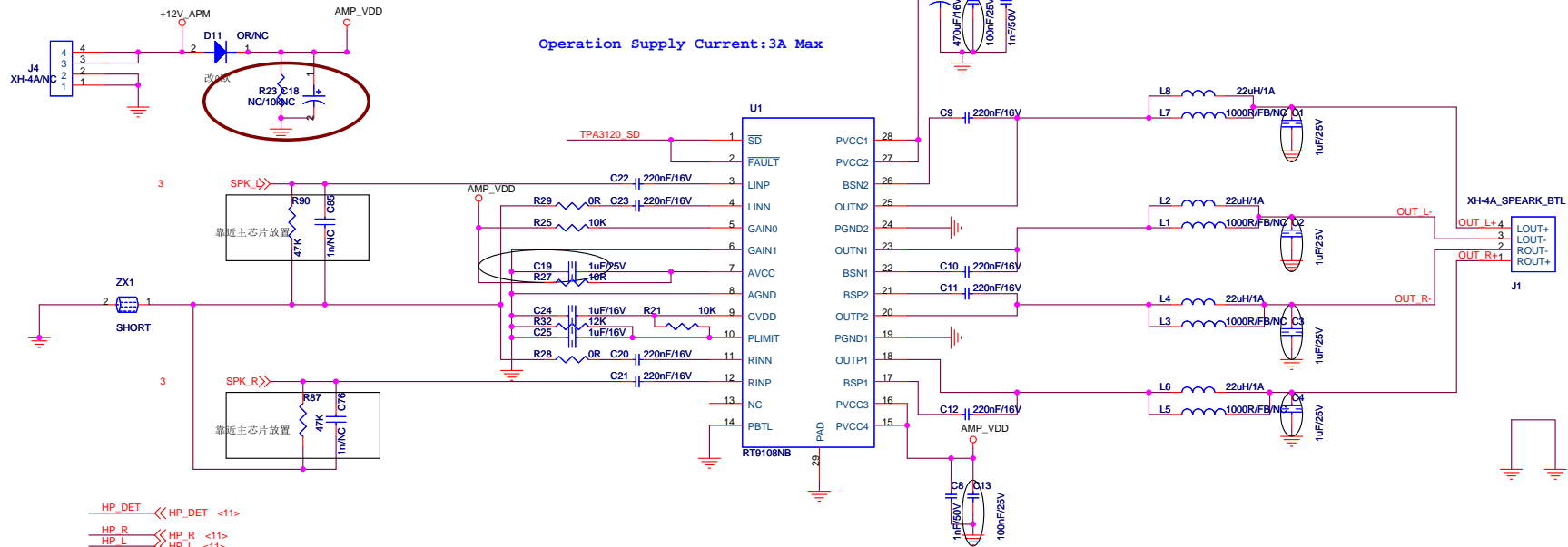


# Panel Power Control

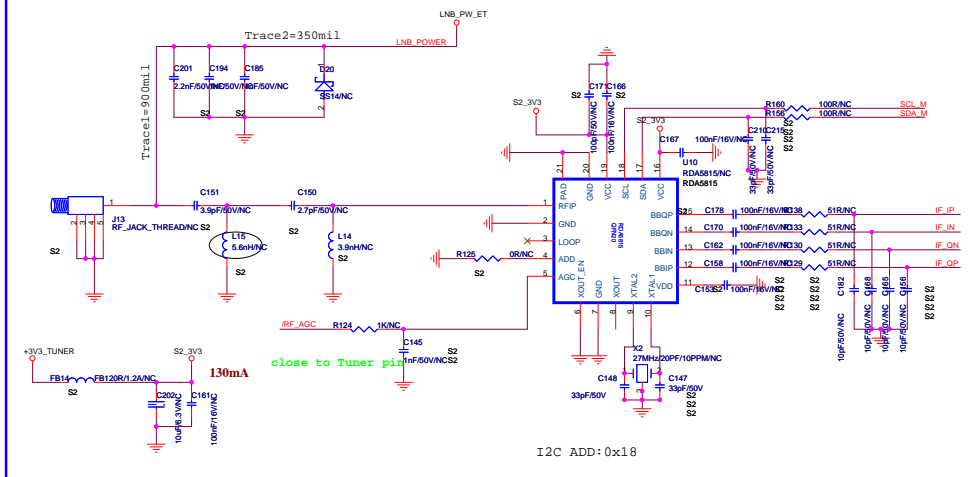


		Title	
<b>锐显数码</b> CULTRAVIEW		<b>CV512H-A</b>	
Size	Document Number	Panel out	
Custom		Rev 12	
Date:	Tuesday, March 17, 2015	Sheet	12 of 14

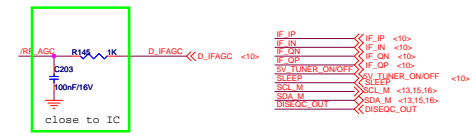
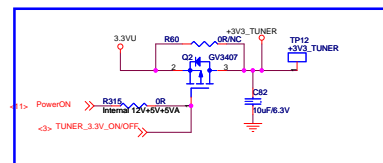
# AUDIO AMP



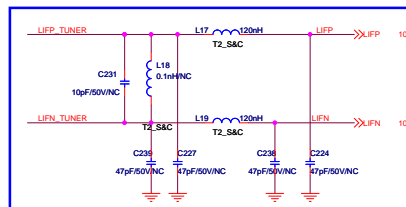
### S2 SILICON TUNER



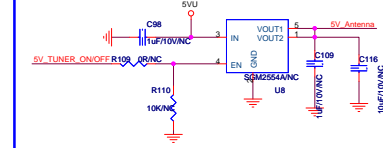
### +3.3V SI-TUNER POWER



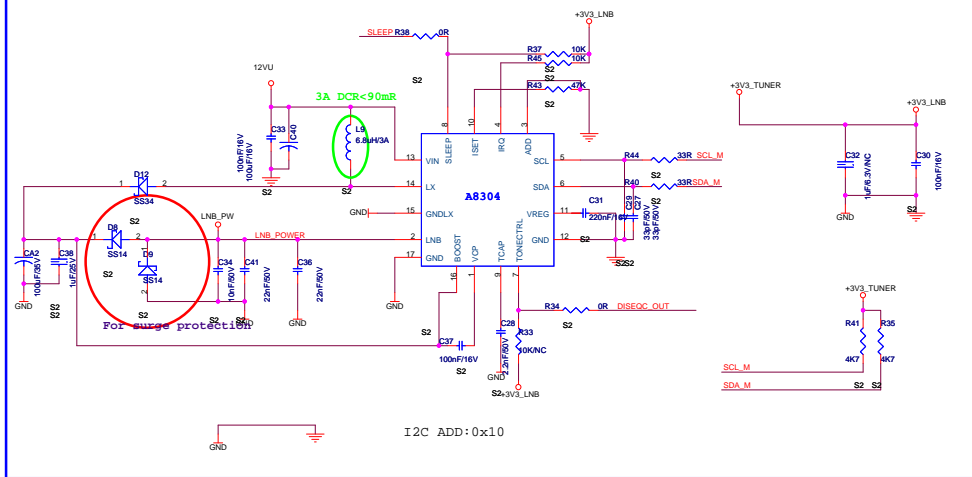
### BPF Filter



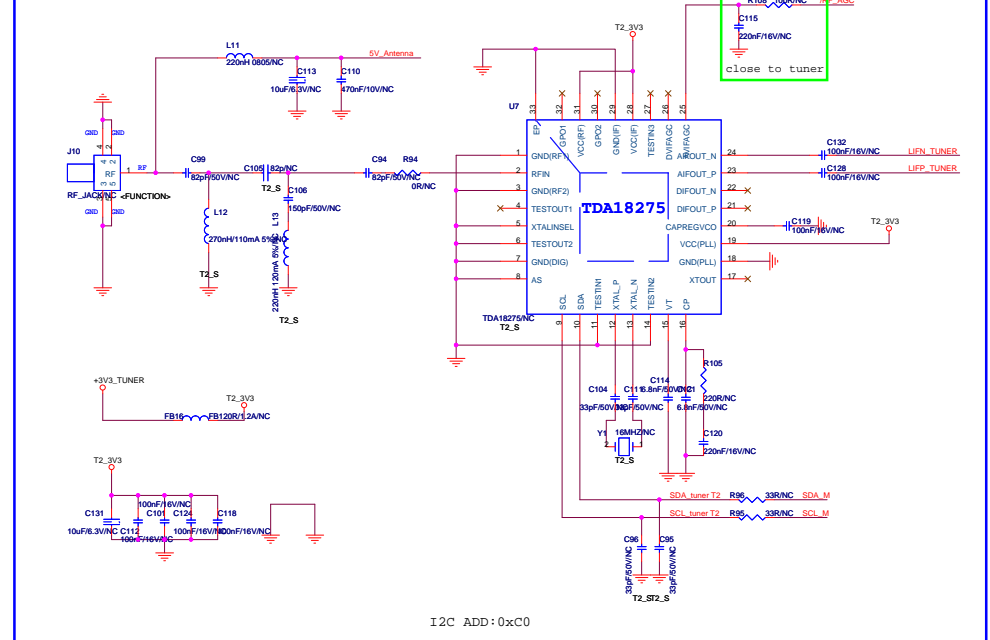
### 5V Feedback Supply



### LNB\_POER\_CONTROL



### TDA18275 Circuit



### S2 CAN TUNER

