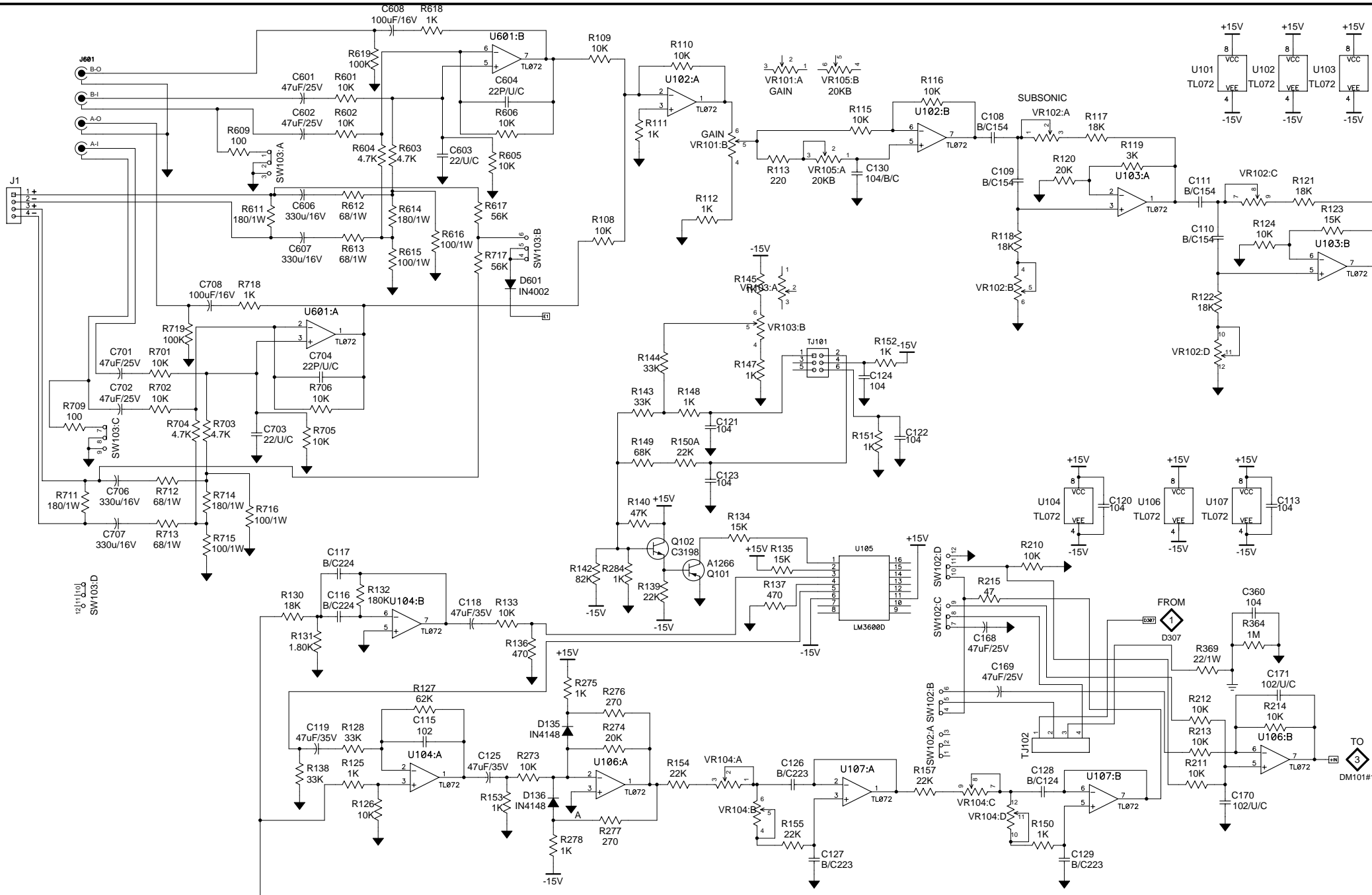


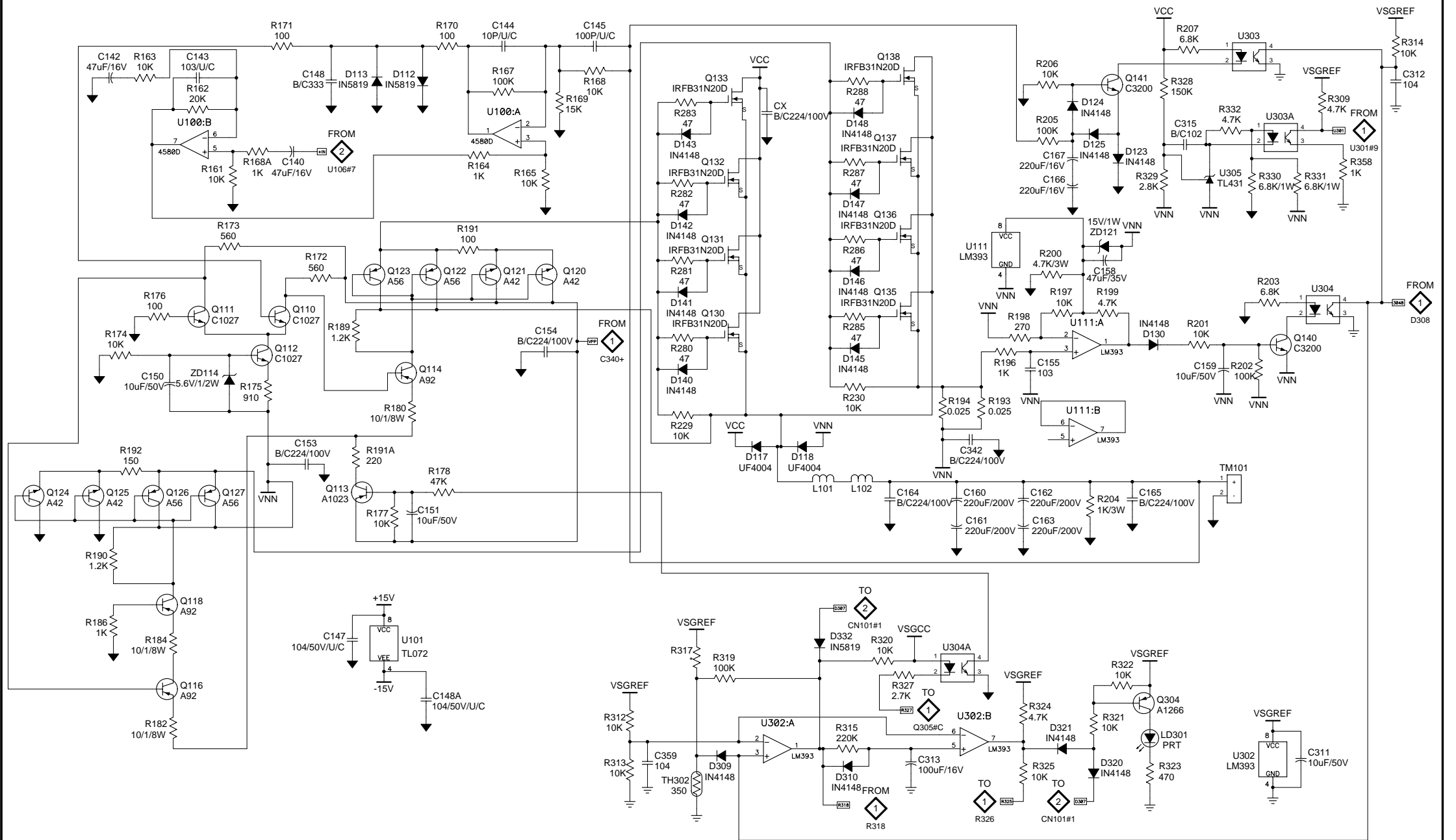
GOOD WILL INSTRUMENT CO., LTD

DRAWN BY	CHECK BY	APPROVED BY	MODEL	[Title]
				DESCRIPTION Sheet1
				DRAWING NO EASO040.sch
				Sheet 1 of 3 [Revision]



GOOD WILL INSTRUMENT CO., LTD

DRAWN BY	CHECK BY	APPROVED BY	MODEL	(Title)
				DESCRIPTION Sheet2
				EASO040.sch
				Sheet 2 of 3



GOOD WILL INSTRUMENT CO., LTD

DRAWN BY	CHECK BY	APPROVED BY	MODEL	(Title)
				DESCRIPTION Sheet3
				DRAWING NO EASO040.sch
				Sheet 3 of 3 (Revision)