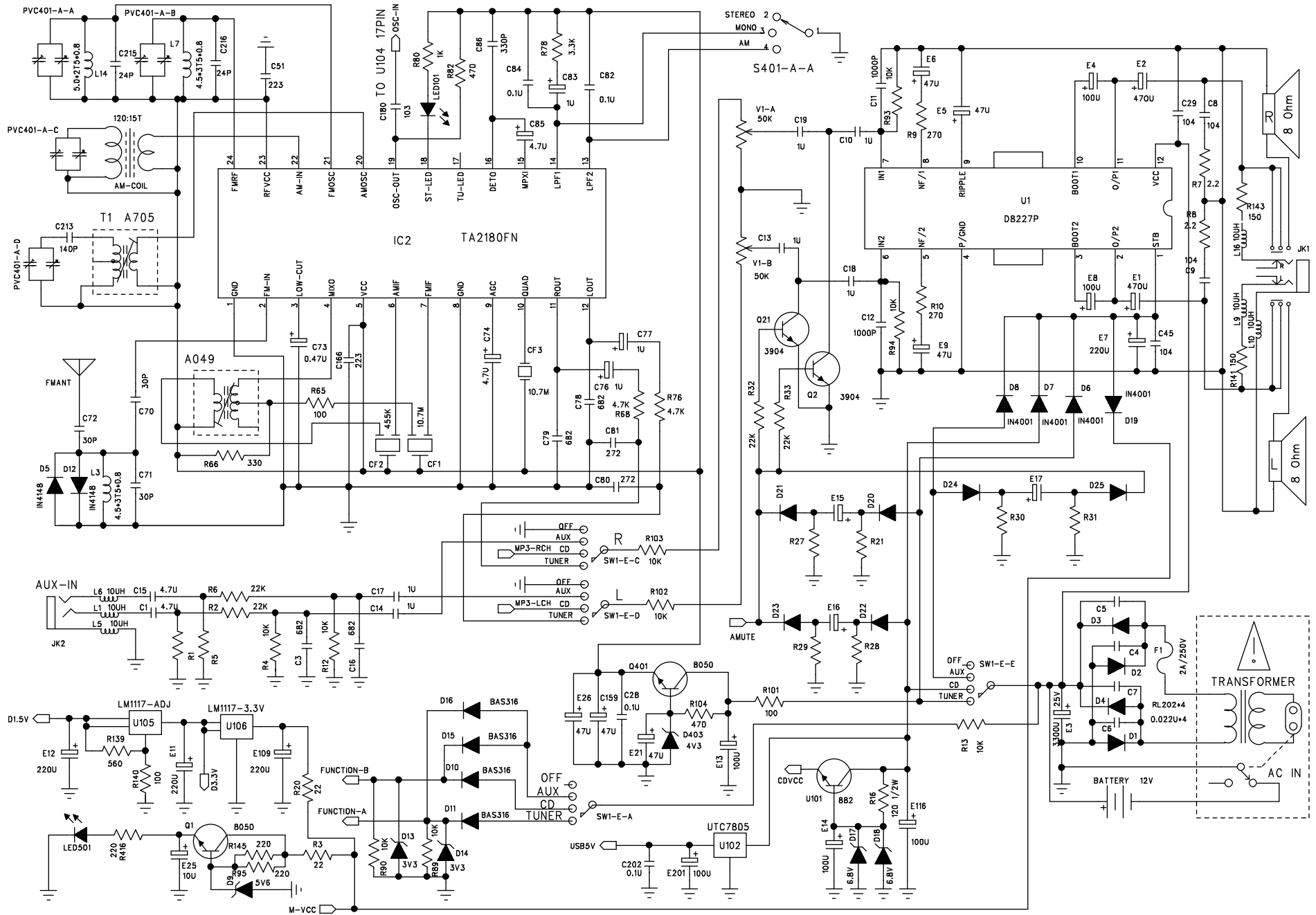
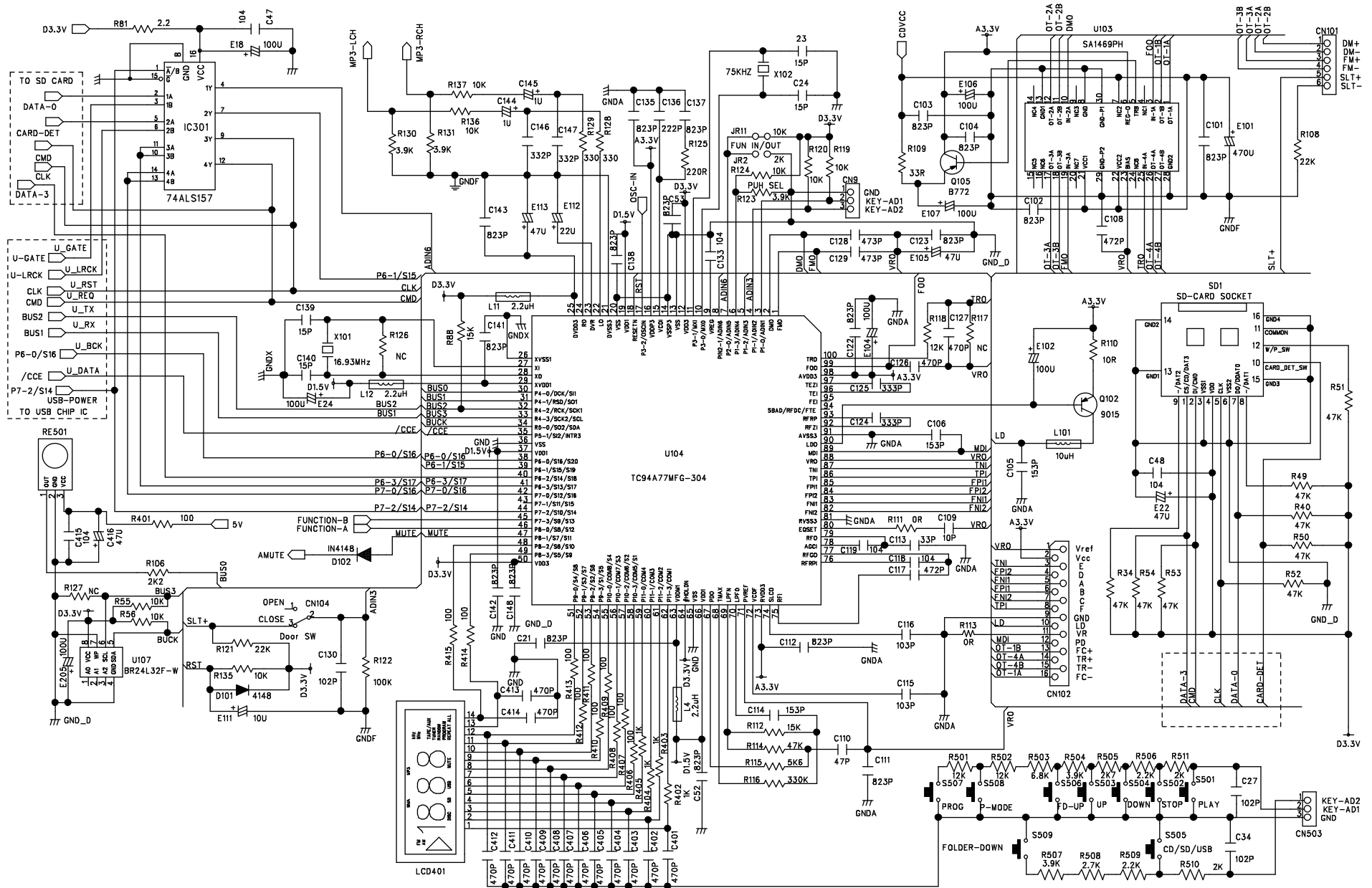


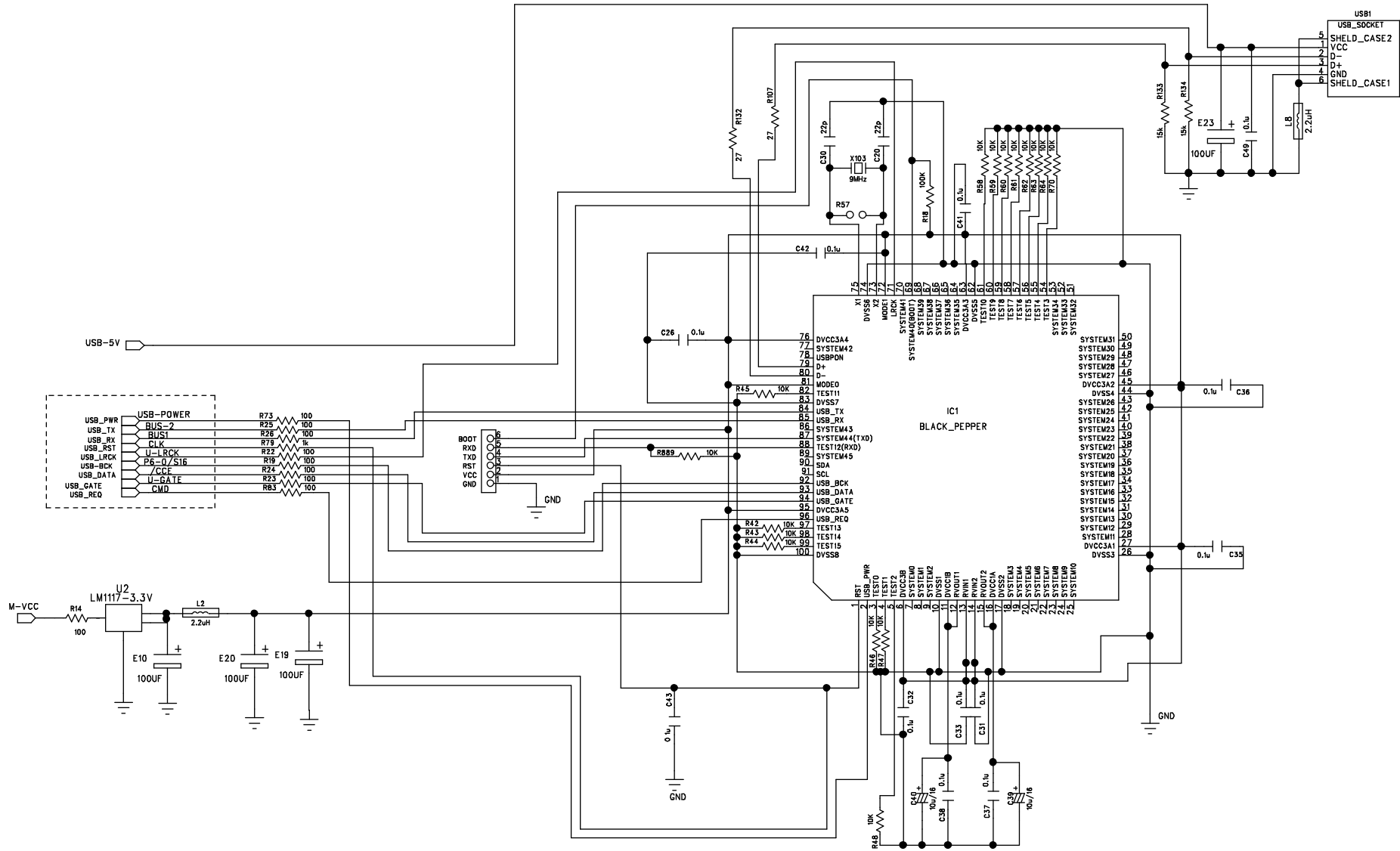
CIRCUIT DIAGRAM - TUNER/POWER SECTION



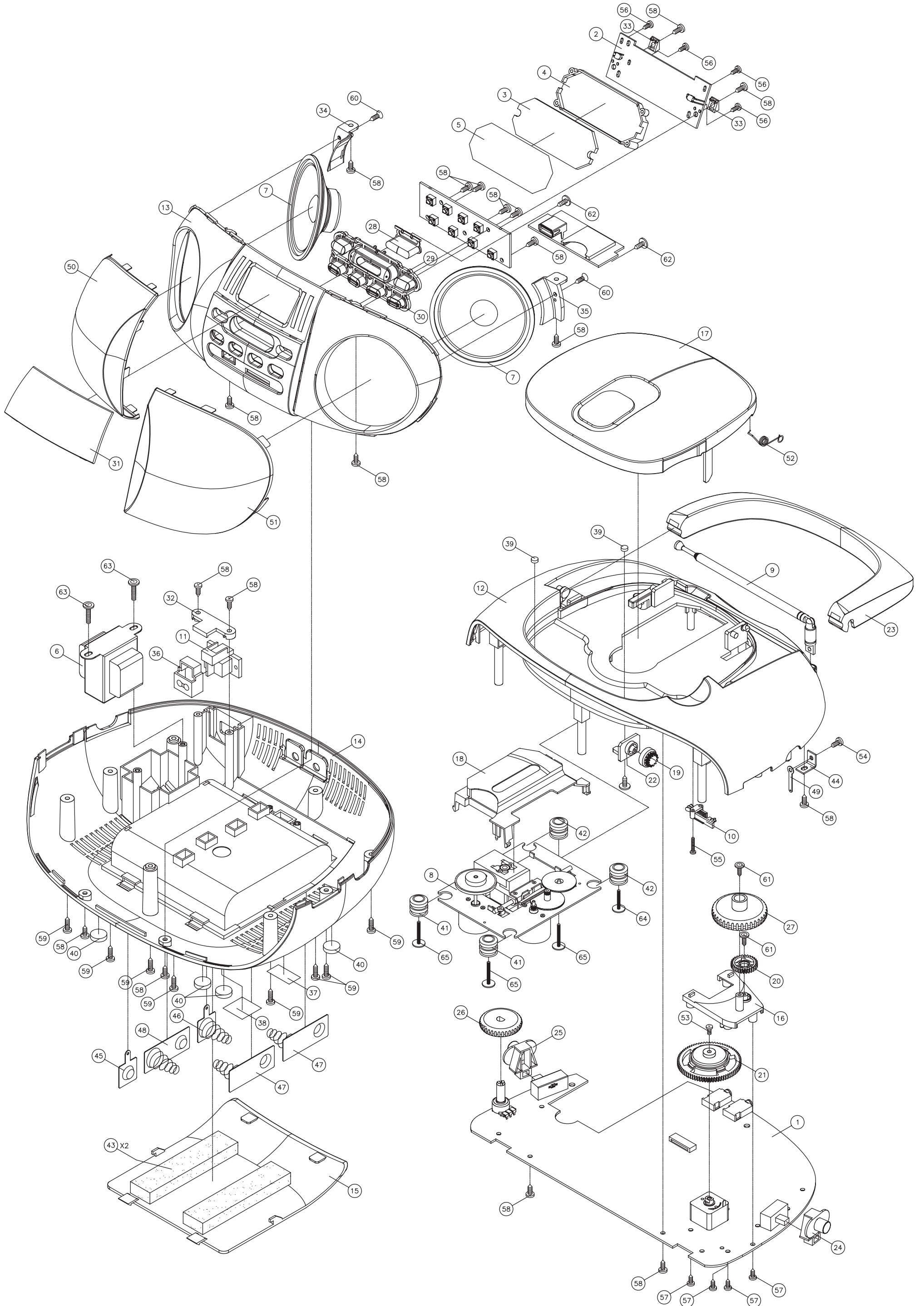
CIRCUIT DIAGRAM - CD/MP3/WMA/SD CARD SECTION



CIRCUIT DIAGRAM - USB SECTION



EXPLODED VIEW



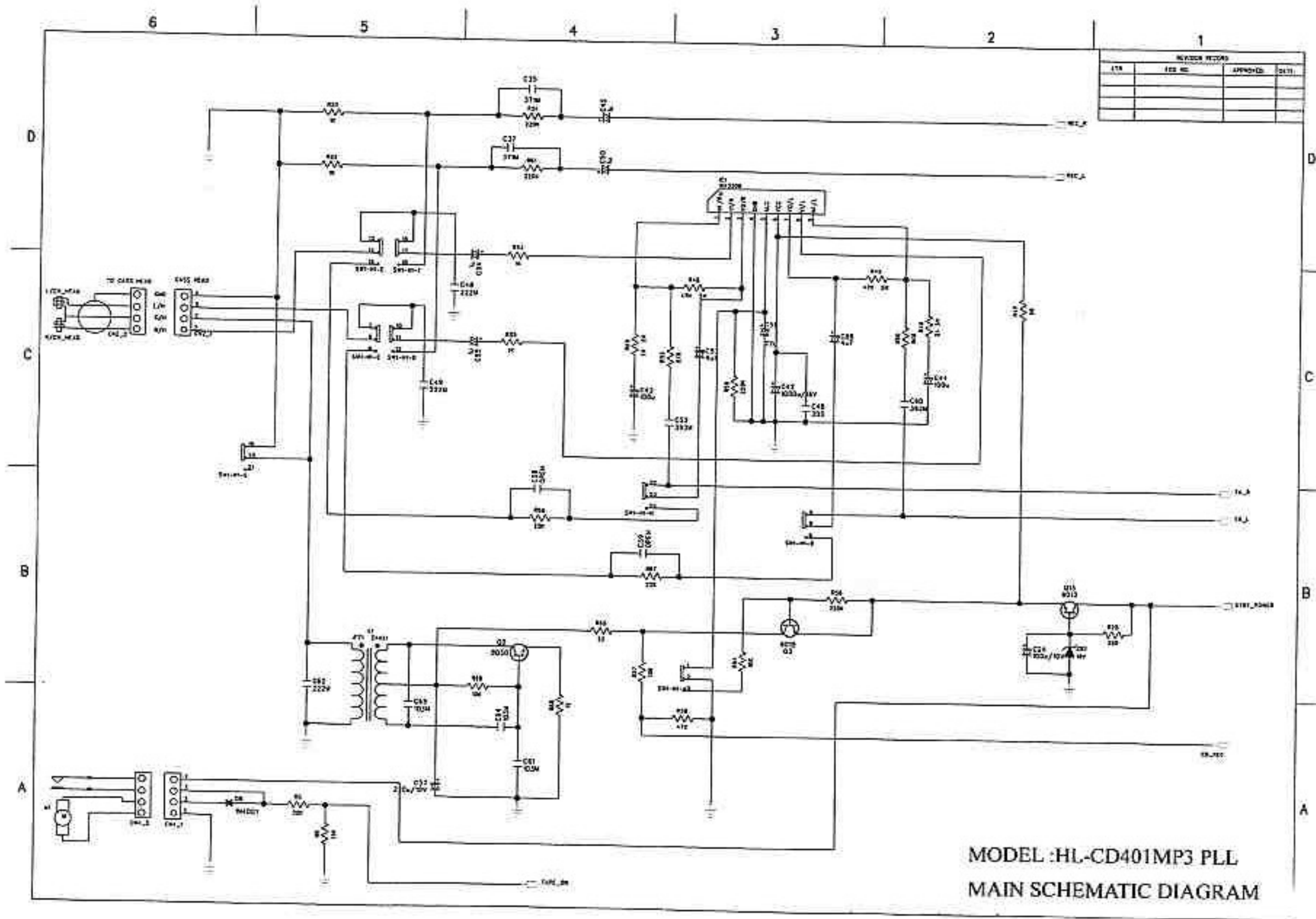
EXPLODED VIEW PARTS LIST

ITEM	PART NO.	DESCRIPTION	ITEM	PART NO.	DESCRIPTION
1	05-P20030100000	PCBA-MAIN	34	56-69P20000B200	SPEAKER PLATE -L
2	05-P20030400000	PCBA-DISPLAY	35	56-69P20000B300	SPEAKER PLATE -R
3	56-57P200040000	BACK LENS	36	56-81000000B000	AC SOCKET COVER
4	56-07P200009000	LCD HOLDER	37	57-082222110020	PVC PLATE (BLACK) 22.8x11.8x0.3mm
5	57-26P200000020	BACK LIGHT PLATE	38	57-082192190020	PVC PLATE (BLACK) 19.8x19.8x0.3mm
6	18-205P370300000	V/TRANSFORMER EI41	39	58-262502200020	RUBBER FOOT DIA 5mm T:2mm
7	19-011092200720	SPEAKER 3" 2W 8 OHM	40	58-26FM59200020	RUBBER FOOT DIA12x3mm
8	20-70CMSB35BG61	CD MECHANISM	41	58-61M520R02120	SHOCK ABSORBER (PINK)
9	32-01MP03A00020	ROD ANTENNA	42	58-61P156100020	SHOCK ABSORBER (BLUE)
10	41-061120070020	LEAF SWITCH	43	58-82CD96900020	BATTERY SPONGE 90x20x10mm
11	43-520300000001	AC SOCKET	44	61-04SG98900020	ANT PLATE
12	56-02P200002000	TOP CABINET	45	61-25CD96900020	BATTERY PLATE (+)
13	56-04P20000B000	FRONT CABINET	46	61-25CD96910021	BATTERY PLTAE (-)
14	56-05P200002000	BOTTOM CABINET	47	61-25CD96920021	BATTERY PLATE-A (+,-)
15	56-06P200002000	BATTERY DOOR	48	61-25CD96930021	BATTERY PLATE-B (-,+)
16	56-07P37011B000	PVC GEAR -BRACKET	49	61-873318000020	LUG
17	56-14P200002000	CD DOOR	50	61-91P200000020	SPEAKER GRILL -L
18	56-15MS0661B000	LASER COVER	51	61-91P200000120	SPEAKER GRILL -R
19	56-24P200002000	GEAR	52	61-97SE13100020	CD DOOR SPRING
20	56-24P37012B000	LAZY GEAR	53	66-120326180321	MACHINE SCREW MS/PH 2.6x8mm
21	56-24P37013B000	PVC GEAR	54	66-120530180321	MACHINE SCREW MS/KH 3x8mm
22	56-27P200002000	GEAR HOLDER	55	66-140220210321	SELF-TAPPING SCREW TA/BH 2x10mm
23	56-41P200002000	HANDLE	56	66-140226160321	SELF-TAPPING SCREW TA/BH 2.6x6mm
24	56-54P200002100	BAND KNOB	57	66-140230180321	SELF-TAPPING SCREW TA/BH 3x8mm
25	56-54P200002200	SWITCH KNOB	58	66-140230210321	SELF-TAPPING SCREW TA/BH 3x10mm
26	56-54P200002300	VOLUME KNOB	59	66-140230212321	SELF-TAPPING SCREW TA/BH 3x12mm
27	56-54P200002400	TUNING KNOB	60	66-140530210321	SELF-TAPPING SCREW TA/KH 3x10mm
28	56-54P20000B500	PLAY KNOB	61	66-140830180321	SELF-TAPPING SCREW TA/WH 3x8mm
29	56-54P20000B000	FUNCTION KNOB -1	62	66-141430210321	SCREW TA/WH 3x10mm (HEAD:10mm)
30	56-54P20001B000	FUNCTION KNOB -2	63	66-150830216321	SELF-TAPPING SCREW TB/WH 3x16mm
31	56-57P200030000	LCD DISPLAY LENS	64	66-151426216221	SCREW TWP/BO 2.6x16 MC
32	56-69P20000B000	AC PRESS PIECE	63	66-151426219221	SCREW TWP/BO 2.6x19 MC
33	56-69P20000B100	PCB PRESS PIECE			

EXPLODED VIEW PARTS LIST**MODEL :HL-CD401 MP3 PLL**

ITEM	DESCRIPTION	QTY
1	CASSETTE DOOR COVER	1
2	CASSETTE DOOR LENS	1
3	CASSETTE DOOR	1
4	CASSETTE DOOR BRACKET	1
5	CASSETTE DOOR SPRING	1
6	DISPLAY COVER	1
7	DISPLAY LENS	1
8	FRONT SPEAKER GRILL(L)	1
9	FRONT SPEAKERS(L/R)	2
10	FRONT SPEAKER CLIP	4
11	SCREW	30
12	CASSETTE KEYS	6
13	CHUCKING PLATE	1
14	MAGNETIC	1
15	CD DOOR	1
16	CD PCB BRACKET(L)	1
17	CD DOOR BUTTON	1
18	CD DOOR LATCH	1
19	CD DOOR LATCH SPRING	1
20	SCREW	1
21	CD DUST COVER	1
22	CD MECHANISM - SAMSUNG	1
23	CD INSULATOR RUBBER	4
24	CD INSULATOR SCREW	4
25	CD / MP3 BOARD	1
26	SCREW	4
27	FUNCTION KNOB	1
28	VOLUME KNOB	1
29	DBB KNOB	1
30	CASSETTE DOOR GEAR HOLDER	1
31	CASSETTE DOOR GEAR	1
32	TUNING KNOB	1
33	BAND KNOB	1
34	DIAL LENS	1
35	CD BUTTON (L)	3
36	DISPLAY BRACKET	1
37	CONTROL PCB	1
38	CONTROL PCB BRACKET(L)	1
39	CASSETTE DECK	1
40	CD PCB BRACKET (R)	1
41	CD DOOR GEAR	1
42	CD DOOR SPRING	1

43	CD DOOR BRACKET	1
44	TOP SPEAKER GRILL(L)	1
45	TOP TWEETER(L)	1
46	AC SOCKET COVER	1
47	TRANSFORMER	1
48	SCREW	2
49	HEADPHONE JACK PCB	1
50	PLATE OF HEADPHONE JACK PCB	1
51	AC SOCKET	1
52	TOP SPEAKER GRILL(R)	1
53	TOP TWEETER(R)	1
54	SCREW FOR FRONT & REAR CABINET	5
55	HANDLE	1
56	SCREW OF ROD ANTENNA	1
57	ROD ANTENNA	1
58	BATTERY DOOR	1
59	REAR CABINET	1
60	DC PCB(L)	1
61	BATTERY SPRING(+)	8
62	BATTERY SPRING(-)	4
63	DC PCB(R)	1
64	MAIN PCB	1
65	SCREW OF RECORDING LEVEL	1
66	RECORDING LEVEL	1
67	CONTROL PCB BRACKET(R)	1
68	VOLUME PCB	1
69	VOLUME PCB BRACKET	1
70	SCREW	2
71	CD BUTTON (R)	3
72	TUNER PCB BRACKET	1
73	TUNING KNOB GEAR	1
74	PVC GEAR	1
75	SCREW FOR PVC GEAR	1
76	TUNER PCB	1
77	FRONT CABINET	1
78	FRONT SPEAKER GRILL(R)	1



MODEL :HL-CD401MP3 PLL
MAIN SCHEMATIC DIAGRAM

