

Model type:  
**ARL100CSI.L**

Commercial code:  
**55014**

## General notes

### Technical Documentation guidelines

---

---

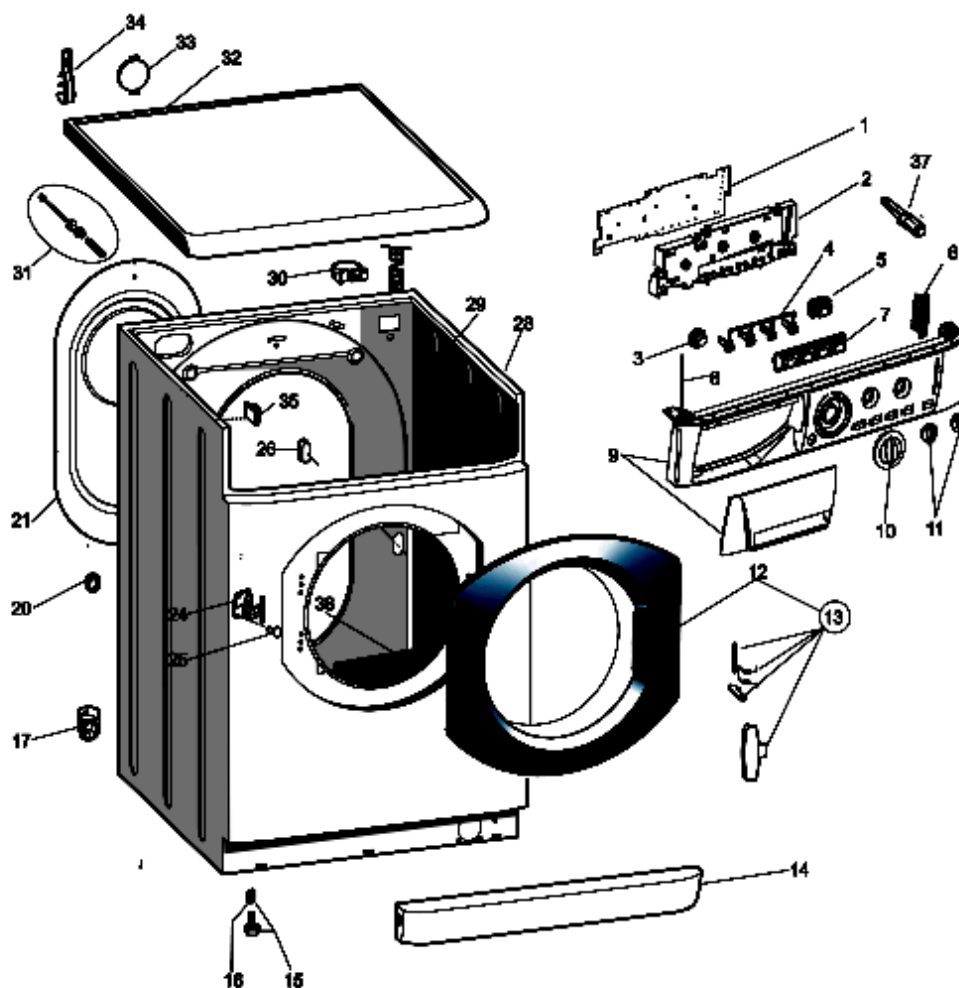
You can find herewith some generic information to simplify consulting of technical documentation:

1. Models of same range share the same exploded views, which report the richest set of spare parts: generally, a model does not necessarily have a related spare part for each particular shown on exploded views.
2. Some spare parts can not be represented directly on the exploded views (instruction booklets, specific kit, etc...). You can find those codes in the spare parts list with the same reference of particular where spares are installed or with references 099, 999. Instruction booklets, once managed, appear with 000 reference.
3. On the higher right site of each exploded view there is a serial number which indicates the beginning of the production of certain range: some models might have more than an exploded view for a given category, each distinguished by a different serial no. and linked to another spare parts list, In this case, serial no. is required to supply the right spare part code. Exploded view to be considered is the one with a more recent serial no. but previous than the one of the model that needs assistance.
4. Exploded views might require further updates even after publishing. Addition of new spares will go on following the already existing numeration references. Revision number of an exploded view is shown into last four digits of serial number into upper right hand corner.
5. The spare parts list associated to an exploded view shows related codes of spares managed for a certain model; for each spare part other informations are available:  
  
REF: reference no of spare into a table; SUBSTITUTE: list of spare(s) which can replace a code but that keeps same functional characteristics  
  
INDUSTRIAL CODE: list of variables of a model (shown into model label) where such spare is used; NOTICE: code of information(s) to refer to complete technical intervention, track for changes or to find correct spare part code.
6. Some notices, into a same section are generic therefore cannot be directly linked to a spare part. In order to assist a model in the best way as possible, it is helpful to pay attention to all notices and constantly verify documentation updates
7. Technical documentation cover shows model name and its commercial codes

1140140B

Exploded views

Matr. 71015.0001  
LED



1140140B

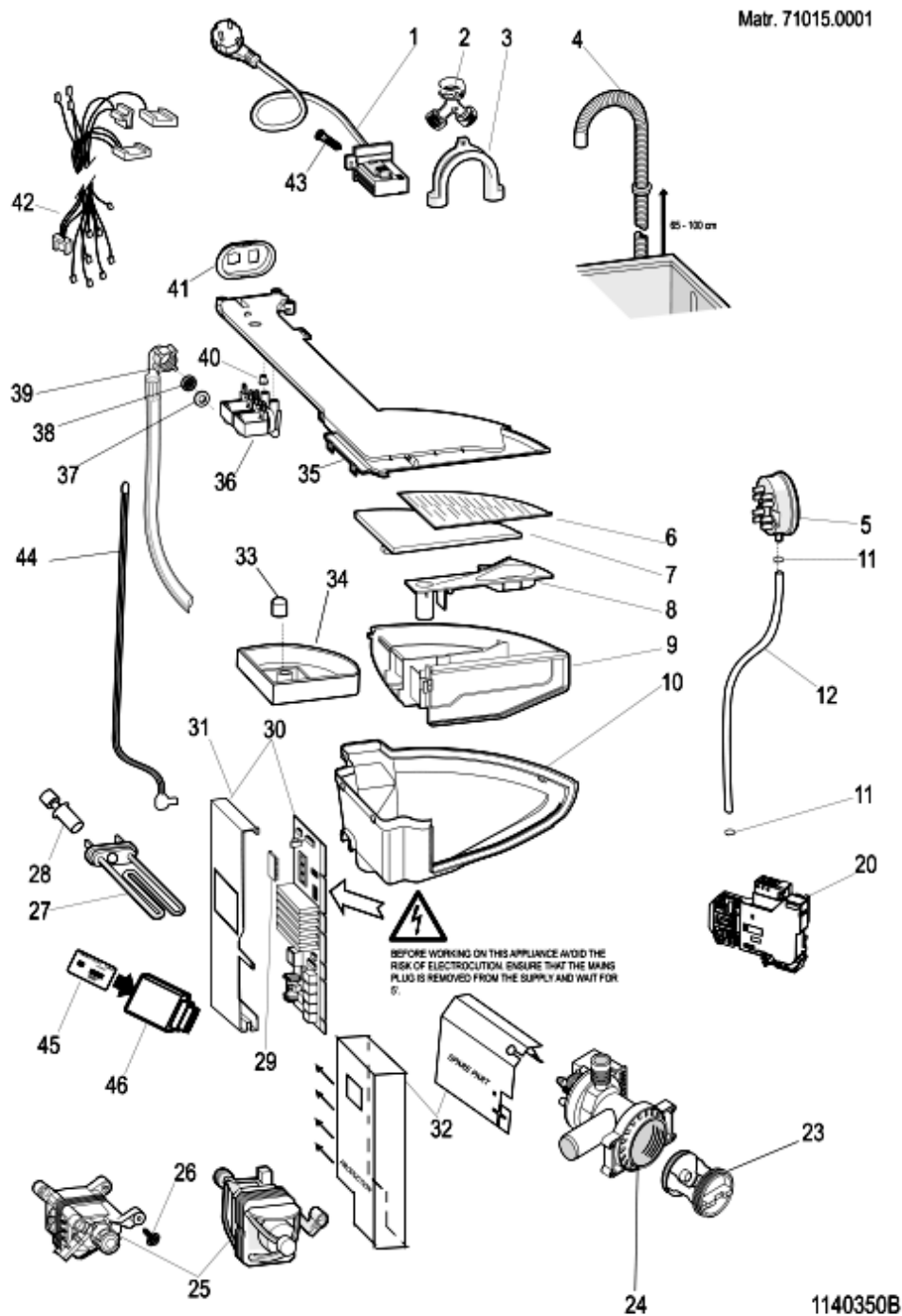
1140140B

Spare parts list

Ref.	Code	From	To S/N	Substitute	Description	Notice	Industrial
002	C00259416		00702...	1 x C00277182	display led 3 knobs evonii ariston		24550140100
003	C00259420				pushbutton white pw on/off		
004	C00255148				light guide option		
005	C00259417				pushbutton white pw start/pause		
006	C00255147				light guide status		
007	C00255480				option buttons (led) (4)		
008	C00091882				pivot pin drawer front 106.5x5		
009	C00269506				control panel + handle pw		
010	C00267030				wash timer knob white pw 12+4		
011	C00259847				option knob		
012	C00269276				door frame+glass std pw 150° ha		
013	C00259409				door handle kit - white pw ariston		
014	C00267746				plinth white pw ha cis		
015	C00087084				foot		
016	C00083828				foot spring (11x8.5mm)		
020	C00263293				drain hose collar		
021	C00115812				rear panel white pw		
024	C00254619				hinge		
025	C00256725				screw testfer m4 x 16 mm		
026	C00260421			1 x C00084817	blanking plate-rear(test plug)		
028	C00269275				cabinet white (pw) std hp/ar pw		
031	C00265526				bolt packaging m8x90 wm tub		
032	C00269279				worktop - white pw evonii std cis		
034	C00046667				wiring stop		
035	C00141387				cable clamp hose		
037	C00255691				start lens		
099	C00012687				self-tapping screw hi-lo 3,5x13		

1140350B

Exploded views



1140350B

Spare parts list

Ref.	Code	From	To S/N	Substitute	Description	Notice	Industrial
001	C00091633		00702...		supply cable 3x1 schuko		24550140100
003	C00019902				plastic -u- to make drain hose		
004	C00091775				drain hose to sink		
005	C00110328		00702...		pressure switch 1 1.80 -55 +		24550140100
005	C00263210				bracket - pressure switch		
008	C00046154				additive cover		
009	C00046148			1 x C00281253	soap dispenser drawer (rotary)		
010	C00064529				dispenser body (hl)		
011	C00092412				hose clamp		
012	C00041785		91219...		air trap hose 540 mm.		
012	C00144077	91220...			pipe pressostat l= 540mm. evo ii		
020	C00065185			1 x C00096210	bolt m4,5 x 11		
020	C00254755				door interlock (hl)		
023	C00045023				filter handle		
023	C00045025				filter seal		
023	C00045027				pump filter kit		
024	C00092264				self cleaning drain pump (hl)		
025	C00092153				motor collector 850-1000 rpm		
025	C00273898				carbon brush for motor welling		
025	C00273911				tacho generator for motor welling		
026	C00094744				screw locking motor/tub		
027	C00094715				heating element 1700w		
028	C00083915				thermistor ntc		
030	C00254297		00702...		power board module (rhos)	n4008c01	24550140100
033	C00046157				stopper detergent container		
034	C00046152				additive container		
035	C00269282				hopper cover evoii 1e2u 5kg		
036	C00110333				fill valve 2 way (7lt rst 2.5)		
037	C00005572				sealing washer-mains inlet hose		
038	C00005781				inlet hose filter		
039	C00003070				mains inlet hose cold 25c 10bar		
040	C00064534				seal - dispenser to valve		
041	C00263215				electrovalve support		
042	C00269285		00702...		wiring assembly std arx		24550140100
043	C00092348				self-scraping screw 3,5x8		

1140350B

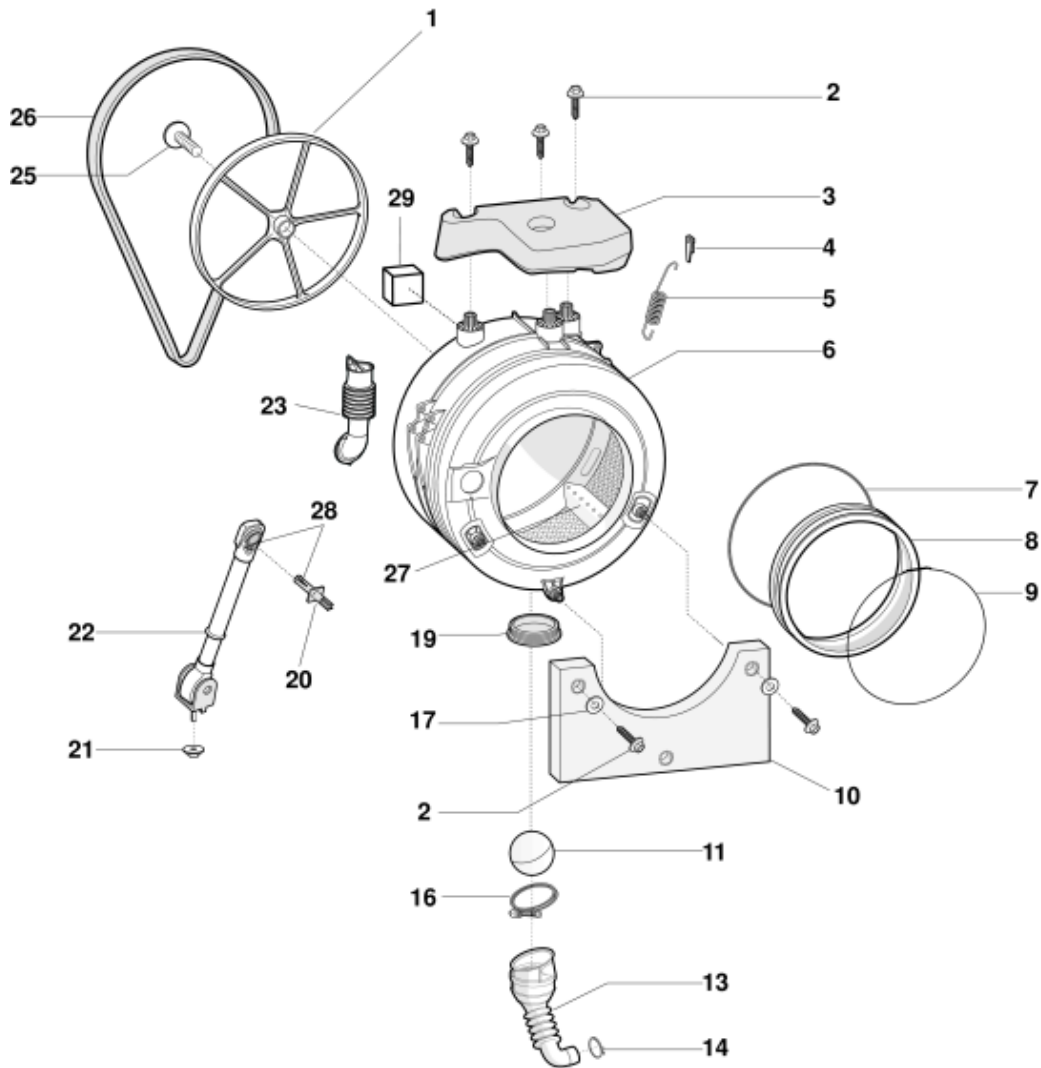
Spare parts list

Ref.	Code	From	To S/N	Substitute	Description	Notice	Industrial
044	C00256761				emergency door release strap		
045	C00269513		00702...		card arl100csi.1 8kb sw	n4008c01	24550140100
046	C00263927			1 x C00272306	smart card reader		
046	C00272306				smart reader for card 8kb 32kb +		

1180260

Exploded views

Matr. 50520.0002



1180260



1180260

Spare parts list

Ref.	Code	From	To S/N	Substitute	Description	Notice	Industrial
001	C00064527				drum pulley cone d=280 mm h=		
002	C00094741			1 x C00118612	screw locking counterweight/tub		
003	C00109647				upper counterweight		
004	C00064515				anchorage pad - suspension		
005	C00118009				suspension spring - tank 33 esi		
006	C00263866				tub plastic 46l eviz.46l wixl		
007	C00092155				door seal- rear retainer		
008	C00111416				door seal (30cm) (hl)		
009	C00092156				door seal retainer front		
010	C00109646				front counterweight lipet		
011	C00092172				ball oko evo ii		
013	C00109648				hose tank to filter oko lipet		
014	C00092411			1 x C00094908	hose clamp		
016	C00094908				hose clamp		
019	C00119212				hose tank to filter oko seal		
020	C00055037				plastic expansion rivet		
021	C00065152				nut romob m6x22x1,5		
022	C00141273			1 x C00097259	shock absorber 100 n		
023	C00066183				hose dispenser to tank		
026	C00089652				belt		
027	C00097565				lifter		

## Notices

### n4008c01: Smart Card - LVB/DRYERS

---

Beginning April 2008 spare parts warehouse started to manage the EVOII modules with eeprom fixed, these can only be programmed with smart card/palmare/pc.

Attention!! The premodification with eeprom socket can be programmed with smart card/palmare/pc using a blank eeprom or with pre programmed eeprom.

Spare parts of modules with eeprom fixed/eeprom socket:

C00265676 with eeprom fixed - C00143068 with eeprom socket - for models with conducibility sensor  
C00254298 with eeprom fixed - C00143068 with eeprom socket - for models without conducibility sensor  
C00254297 with eeprom fixed - C00259941 with eeprom socket  
C00254531 with eeprom fixed - C00143058 with eeprom socket  
C00254297 with eeprom fixed - C00143057 with eeprom socket - for models without blocking drum  
C00265697 with eeprom fixed - C00143057 with eeprom socket - for models with blocking drum  
C00254297 with eeprom fixed - C00143056 with eeprom socket  
C00254530 with eeprom fixed - C00259738 with eeprom socket  
C00254533 with eeprom fixed - C00143060 with eeprom socket  
C00254535 with eeprom fixed - C00145013 with eeprom socket  
C00254530 with eeprom fixed - C00145551 with eeprom socket  
C00254529 with eeprom fixed - C00142293 with eeprom socket  
C00257406 with eeprom fixed - C00143989 with eeprom socket  
C00257409 with eeprom fixed - C00144151 with eeprom fixed  
C00254530 with eeprom fixed - C00143069 with eeprom fixed

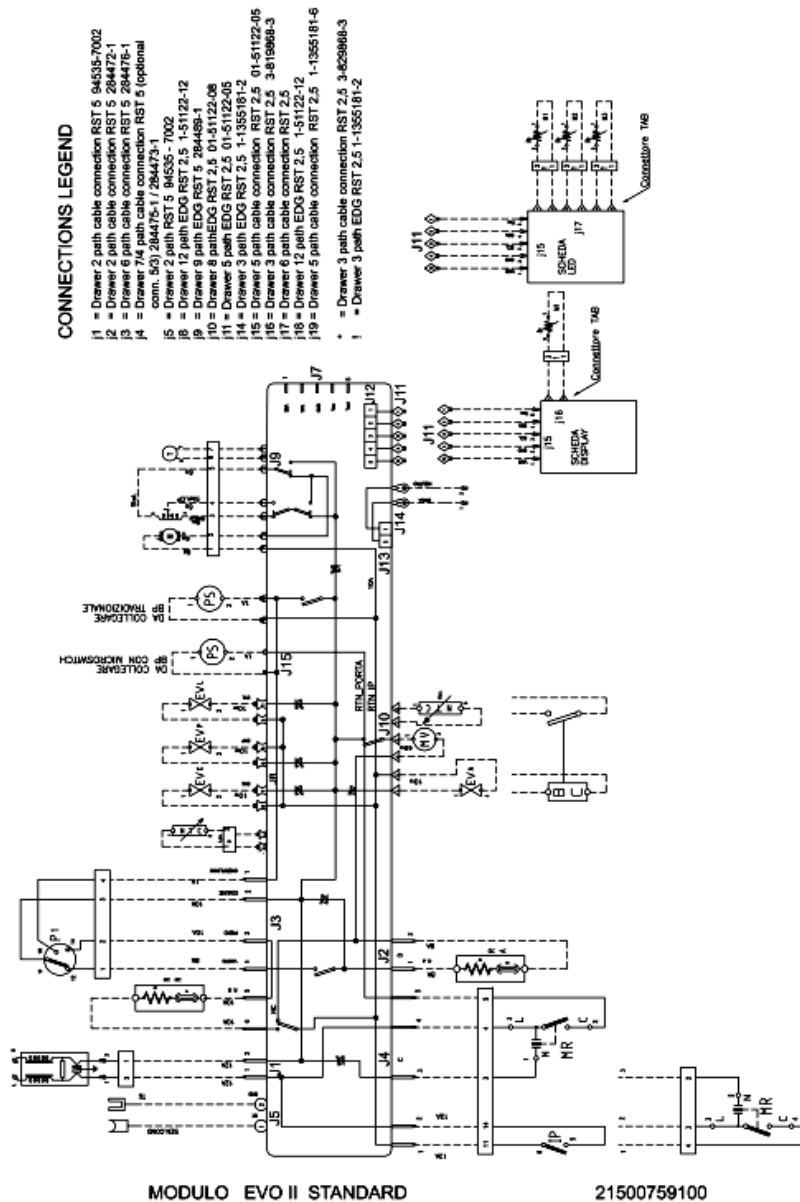
#### DRYERS

C00255835 with eeprom fixed - C00258789 with eeprom socket  
C00255835 with eeprom fixed - C00194077 with eeprom socket

This notice has a "reference list" specific for each product where you can find the link between smart card and the eeprom code with the same software.

Cod. 21500759100

Electric schemes and links



## Legend

Legend: 21500759100