

Service
Service
Service



Service Manual

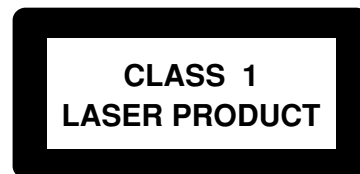


TABLE OF CONTENTS

	Page
Location of pc boards & Version variations	1-2
Technical Specifications	1-3
Measurement setup	1-4
Service Aids, Safety Instruction, etc.	1-5
Disassembly Instructions & Service positions	2
Service Test Program	3-1
Region code, Software version & upgrades	3-2
Set Block diagram	4-1
Set Wiring diagram	5-1
Panel Front Boards	6
AV Board	7
Box Spk Assy SW8300LX	8
Module SD6.3 ST AV2	9
Set Mechanical Exploded view & parts list	10

© Copyright 2004 Philips Consumer Electronics B.V. Eindhoven, The Netherlands
All rights reserved. No part of this publication may be reproduced, stored in a retrieval system or transmitted, in any form or by any means, electronic, mechanical, photocopying, or otherwise without the prior permission of Philips.

Published by BB0430 Service AV Systems Printed in The Netherlands Subject to modification



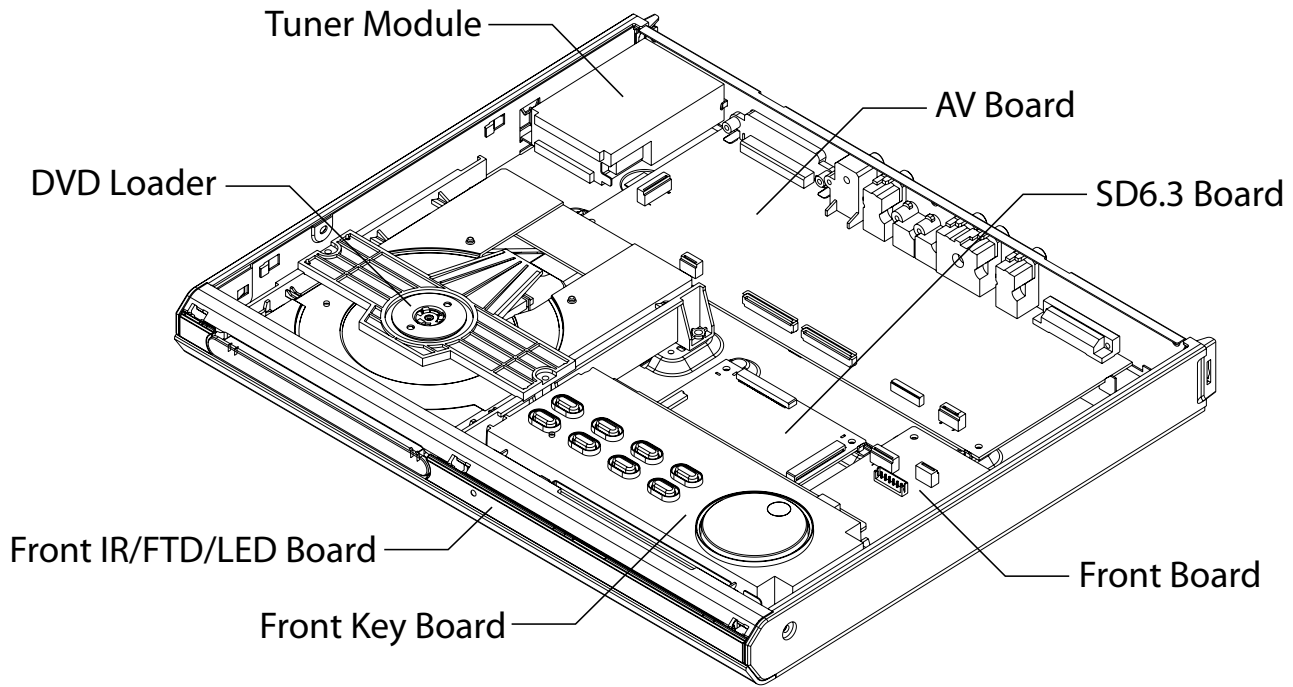
3139 785 30790

Version 1.0



PHILIPS

LOCATION OF PC BOARDS



VERSION VARIATIONS:

Features & Board in used:	Type /Versions:		LX8300SA						
	/01	/04	/05						
Progressive Scan	x	x	x						
Voltage Selector									
Digital In	x	x	x						
TV-In									
Aux-In	x	x	x						
Line-Out	x	x	x						
Video Output	x	x	x						
S-Video Output	x	x	x						
SCART	x	x	x						
Y/Pb/Pr (YUV) Component Video Output	x	x	x						

SPECIFICATIONS**GENERAL:**

Mains voltage : 120V for /17
 220-240V for /01/04/05
 110-127V/220-240V Switchable for /69

Mains frequency : 50/60Hz

Power consumption : < 1W at Standby
 < 130W at 1/8 P_{rated}

Dimension main unit : 360 x 40 x 305mm

TUNER:**FM**

Tuning range : 87.5-108MHz

Grid : 50kHz
 100kHz for /17/69

IF frequency : 10.7MHz ± 25kHz

Aerial input : 75Ω coaxial

Sensitivity at 26dB S/N : < 7μV

Selectivity at 600kHz bandwidth : > 25dB

IF rejection : > 60dB

Image rejection : > 25dB

Distortion at RF=1mV, dev. 75kHz : < 3%

-3dB Limiting point : 8μV

Crosstalk at RF=1mV, dev. 67.5kHz : > 28dB

Crosstalk at RF=1mV, dev. 40kHz : > 18dB /17/69

MW

Tuning range : 531-1602kHz
 530-1700kHz for /17/69

Grid : 9kHz
 10kHz for /17/69

IF frequency : 450kHz ± 1kHz

Aerial input : Frame aerial

Sensitivity at 26dB S/N : < 4.0mV/M

Selectivity at 18kHz bandwidth : > 20dB

IF rejection : > 45dB

Image rejection : > 28dB

Distortion at RF=50mV, m=80% : < 5%

AMPLIFIER:

Output power

Front : 50W RMS / channel

Rear : 50W RMS / channel

Center : 50W RMS

Subwoofer : 150W RMS

Frequency response ±3dB : 20Hz-50kHz

Hum (Volume Minimum) : 200nW

Residual noise (Volume Minimum) : 40nW

Input sensitivity

Aux In : 1V ± 3dB at 39kΩ

Scart In : 500mV ± 3dB at 39kΩ

Output sensitivity

Line Out (Left/Right) : 1V ± 1.5dB at 4.7kΩ

Scart Out (Left/Right) : 1V ± 1.5dB at 4.7kΩ

COMPACT DISC/VCD/DVD:

Video Decoding : MPEG-1/MPEG-2/MPEG-4/DivX 3.11,
 4.x & 5.x

Video DAC : 12 Bits

Signal System : PAL / NTSC

Video Format : 4:3 / 16:9

CVBS Out ¹⁾CVBS level : 1.0 ± 0.1V_{p-p}

Luminance S/N : ≥ 55dB

S-Video Out ¹⁾Y level : 1.0 ± 0.1V_{p-p}

Y S/N : ≥ 60dB

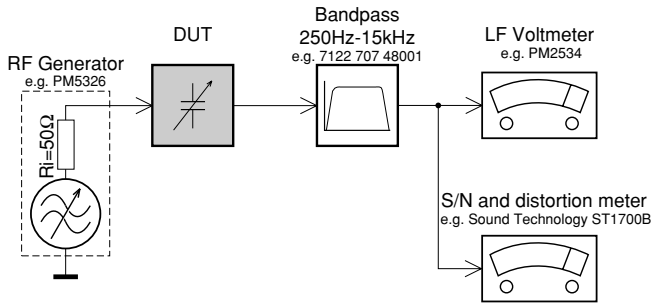
C level (burst) : 286mV_{p-p} +1/-4 dBRGB/YUV Out ¹⁾Amplitude : 0.7 ± 0.1V_{p-p}

S/N : ≥ 60dB

¹⁾ Output terminals to be terminated with 75Ω

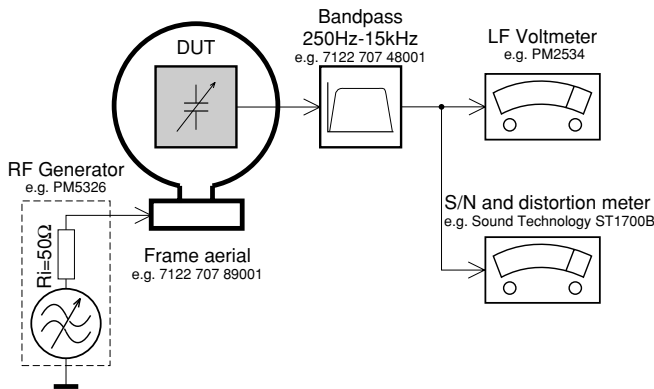
MEASUREMENT SETUP

Tuner FM



Use a bandpass filter to eliminate hum (50Hz, 100Hz) and disturbance from the pilotone (19kHz, 38kHz).

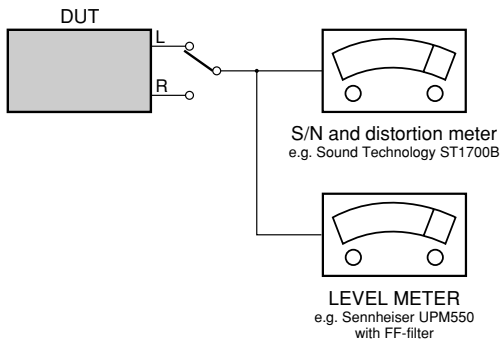
Tuner AM (MW,LW)



To avoid atmospheric interference all AM-measurements have to be carried out in a Faraday's cage. Use a bandpass filter (or at least a high pass filter with 250Hz) to eliminate hum (50Hz, 100Hz).

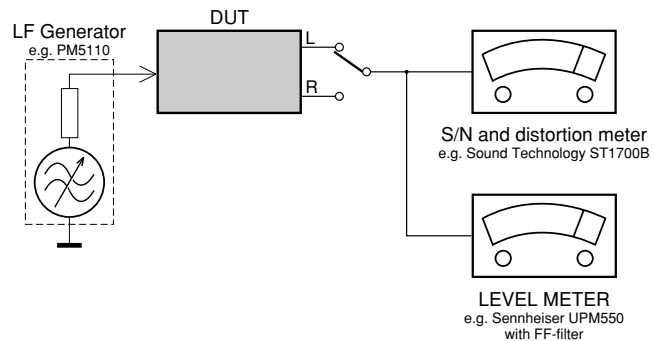
CD

Use Audio Signal Disc SBC429 4822 397 30184
(replaces test disc 3)



Recorder

Use Universal Test Cassette **CrO2** SBC419 4822 397 30069
or Universal Test Cassette **Fe** SBC420 4822 397 30071



SERVICE AIDS

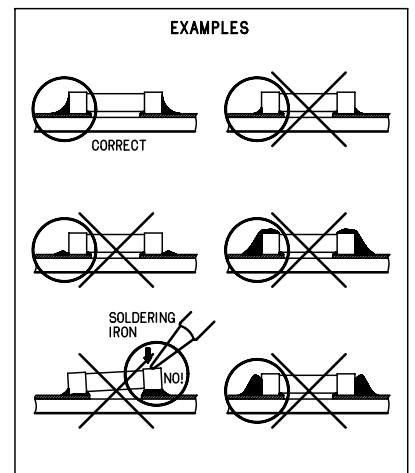
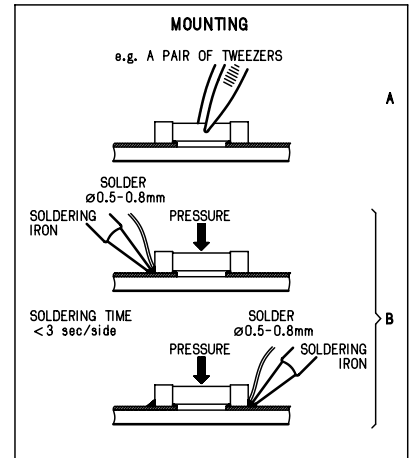
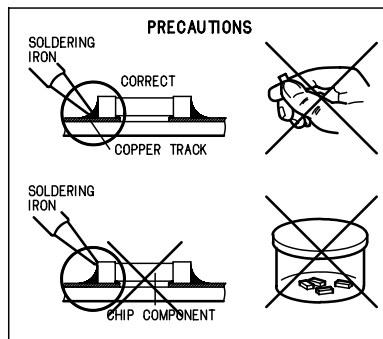
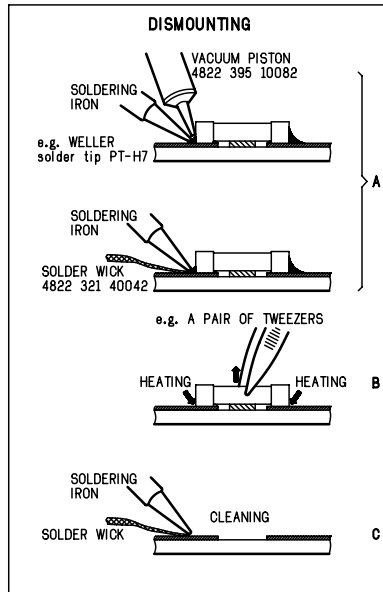
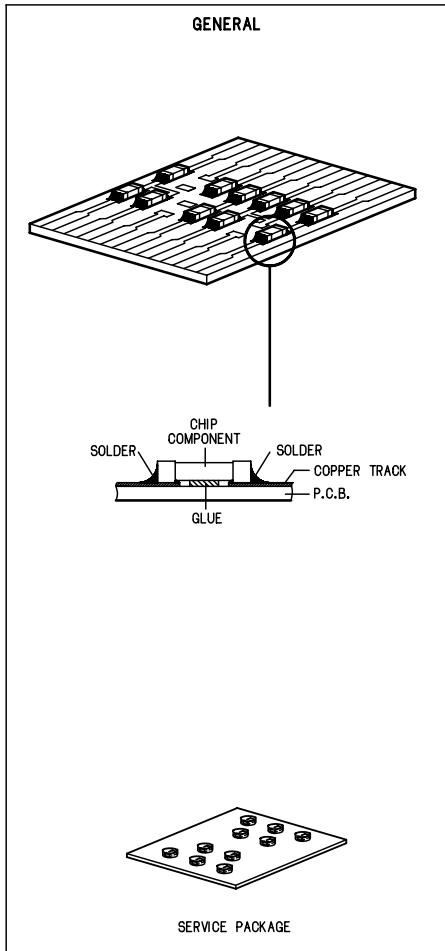
Service Tools:

- Universal Torx driver holder 4822 395 91019
- Torx bit T10 150mm 4822 395 50456
- Torx driver set T6 - T20 4822 395 50145
- Torx driver T10 extended 4822 395 50423

Compact Disc:

- SBC426/426A Test disc 5 + 5A 4822 397 30096
- SBC442 Audio Burn-in Test disc 1kHz 4822 397 30155
- SBC429 Audio Signals disc 4822 397 30184
- Dolby Pro-logic Test Disc 4822 395 10216

HANDLING CHIP COMPONENTS



(GB) WARNING

All ICs and many other semi-conductors are susceptible to electrostatic discharges (ESD). Careless handling during repair can reduce life drastically.

When repairing, make sure that you are connected with the same potential as the mass of the set via a wrist wrap with resistance. Keep components and tools also at this potential.

(F) ATTENTION

Tous les IC et beaucoup d'autres semi-conducteurs sont sensibles aux décharges statiques (ESD).

Leur longévité pourrait être considérablement écourtée par le fait qu'aucune précaution n'est prise à leur manipulation.

Lors de réparations, s'assurer de bien être relié au même potentiel que la masse de l'appareil et enfiler le braceleterti d'une résistance de sécurité.

Veiller à ce que les composants ainsi que les outils que l'on utilise soient également à ce potentiel.

(D) WARNUNG

Alle ICs und viele andere Halbleiter sind empfindlich gegenüber elektrostatischen Entladungen (ESD).

Unvorsichtige Behandlung im Reparaturfall kan die Lebensdauer drastisch reduzieren.

Veranlassen Sie, dass Sie im Reparaturfall über ein Pulsarmband mit Widerstand verbunden sind mit dem gleichen Potential wie die Masse des Gerätes.

Bauteile und Hilfsmittel auch auf dieses gleiche Potential halten.

(NL) WAARSCHUWING

Alle IC's en vele andere halfgeleiders zijn gevoelig voor electrostatische ontladingen (ESD). Onzorgvuldig behandelen tijdens reparatie kan de levensduur drastisch doen verminderen.

Zorg ervoor dat u tijdens reparatie via een polsband met weerstand verbonden bent met hetzelfde potentiaal als de massa van het apparaat.

Houd componenten en hulpmiddelen ook op hetzelfde potentiaal.

(I) AVVERTIMENTO

Tutti IC e parecchi semi-conduttori sono sensibili alle scariche statiche (ESD).

La loro longevità potrebbe essere fortemente ridatta in caso di non osservazione della più grande cauzione alla loro manipolazione.

Durante le riparazioni occorre quindi essere collegato allo stesso potenziale che quello della massa dell'apparecchio tramite un braccialetto a resistenza.

Assicurarsi che i componenti e anche gli utensili con quali si lavora siano anche a questo potenziale.

ESD**(GB) ESD PROTECTION EQUIPMENT:**

Complete Kit ESD3 (small tablemat, wristband, connection box, extention cable and earth cable) 4822 310 10671
Wristband tester 4822 344 13999

(GB)

Safety regulations require that the set be restored to its original condition and that parts which are identical with those specified, be used

Safety components are marked by the symbol \triangle .

(NL)

Veiligheidsbepalingen vereisen, dat het apparaat bij reparatie in zijn oorspronkelijke toestand wordt teruggebracht en dat onderdelen, identiek aan de gespecificeerde, worden toegepast.

De Veiligheidsonderdelen zijn aangeduid met het symbool \triangle

(F)

Les normes de sécurité exigent que l'appareil soit remis à l'état d'origine et que soient utilisés les pièces de rechange identiques à celles spécifiées.

Less composants de sécurité sont marqués \triangle

(D)

Bei jeder Reparatur sind die geltenden Sicherheitsvorschriften zu beachten. Der Original Zustand des Geräts darf nicht verändert werden; für Reparaturen sind Original-Ersatzteile zu verwenden.

Sicherheitsbauteile sind durch das Symbol \triangle markiert.

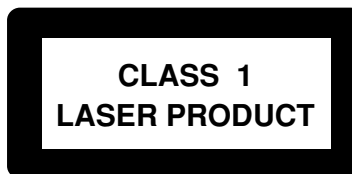
(I)

Le norme di sicurezza esigono che l'apparecchio venga rimesso nelle condizioni originali e che siano utilizzati i pezzi di ricambio identici a quelli specificati.

Componenty di sicurezza sono marcati con \triangle

(GB)

After servicing and before returning set to customer perform a leakage current measurement test from all exposed metal parts to earth ground to assure no shock hazard exist. The leakage current must not exceed 0.5mA.

**(GB) Warning !**

Invisible laser radiation when open.
Avoid direct exposure to beam.

(S) Varning !

Osynlig laserstrålning när apparaten är öppnad och spårren är urkopplad. Betrakta ej strålen.

(SF) Varoitus !

Avatussa laitteessa ja suojalukituksen ohitettaessa olet alttiina näkymättömälle laserisäteilylle. Älä katso säteeseen!

(DK) Advarse !

Usynlig laserstråling ved åbning når sikkerhedsafbrydere er ude af funktion. Undgå udsættelse for stråling.

(F)

"Pour votre sécurité, ces documents doivent être utilisés par des spécialistes agréés, seuls habilités à réparer votre appareil en panne".

DISMANTLING INSTRUCTIONS

Dismantling of the DVD Loader

- 1) The tray can be manually open by inserting a minus screw driver and push the lever in the direction as shown in Figure 1 to unlock the tray before sliding it out.
- 2) Slide out the tray and remove the Cover Tray (pos 110) as shown in Figure 2.
- 3) Loosen 2 screws each to remove the Panel Cover Left (pos 231) and Panel Cover Right (pos 232).
- 4) Loosen 3 screws to remove the Front Top (pos 240).
 - 1 screw each on the left & right side (pos 272)
 - 1 screw at the bottom (pos 268)
- 5) Loosen 4 screws G (see Figure 6) to remove the DVD Loader (pos 1602).



Figure 1

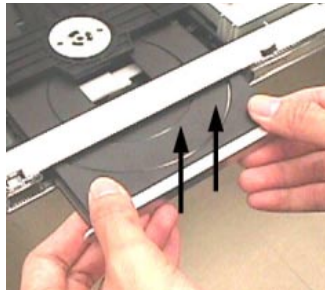


Figure 2

Dismantling of the Front Key Board

- 1) Loosen 4 screws C (see Figure 3) to remove the Bracket Support Control (pos 130) and the Front Key Board (pos 1401).
- 2) Loosen 6 screws D (see Figure 4) to remove the Front Key Board (pos 1401) from the Bracket Support Control (pos 130).

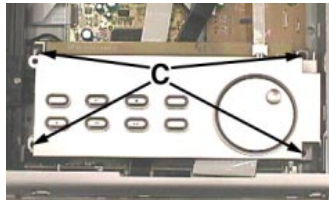


Figure 3

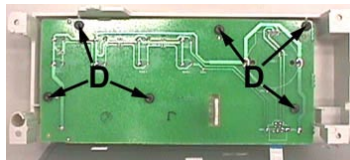


Figure 4

Dismantling of the Tuner Module, AV Board, Front Board and SD6.3 ST AV2 Board

- 1) Loosen 2 screws A (see Figure 5) to remove the Tuner Module (pos 1801).
- 2) Loosen 9 screws B (see Figure 5) and 2 screws H (see Figure 6) to remove the AV Board (pos 1501).
- 3) Loosen 2 screws E (see Figure 6) to remove the Front Board (pos 1201).
- 4) Loosen 2 screws F (see Figure 6) to remove the SD6.3 ST AV2 Board (1601).

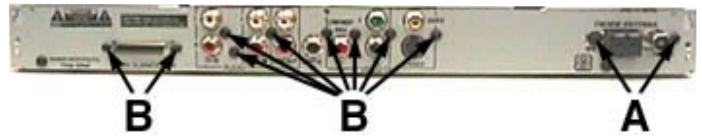


Figure 5

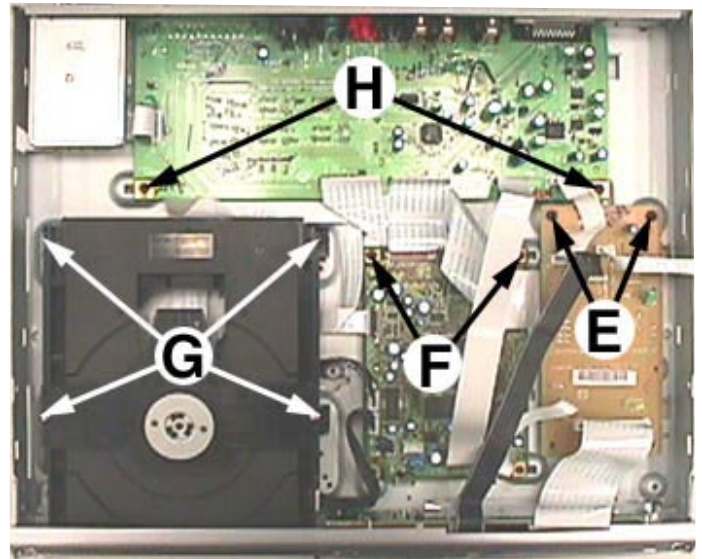
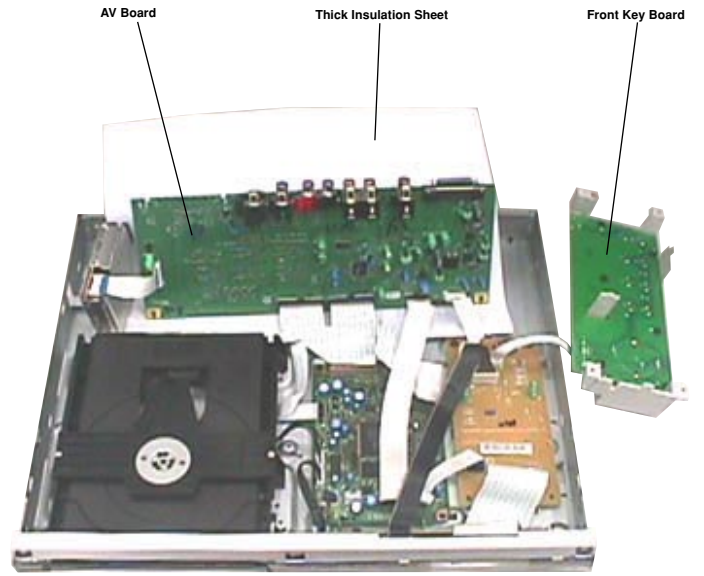
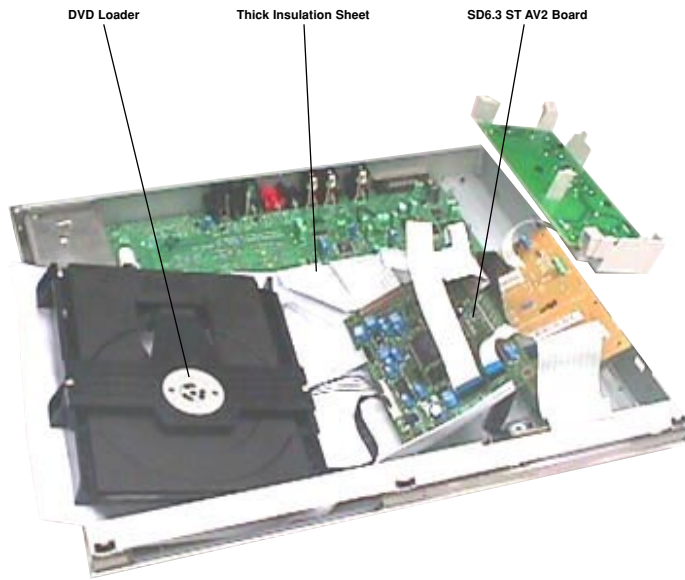
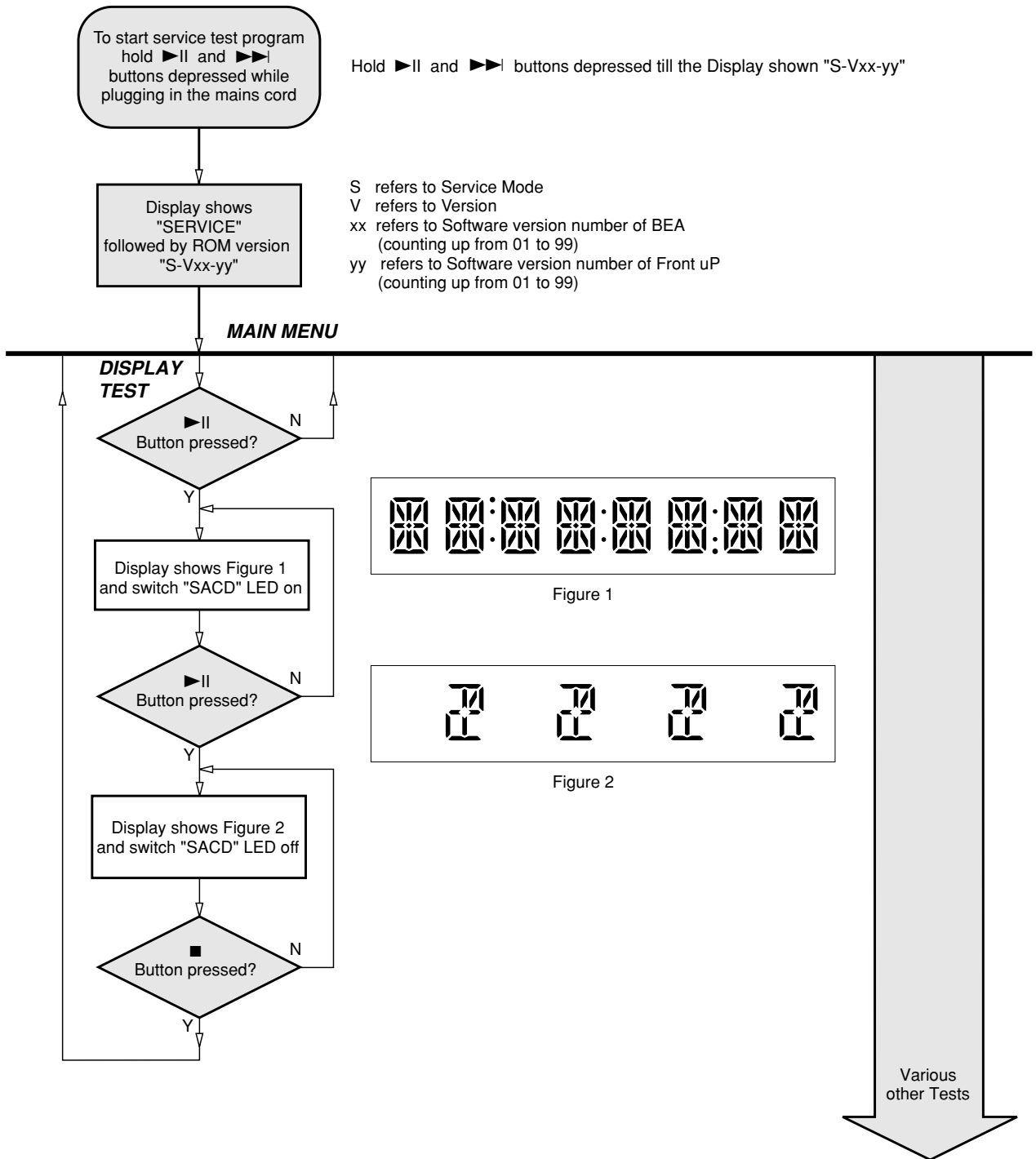


Figure 6

SERVICE POSITIONS



SERVICE TEST PROGRAM



TEST	Activated with	ACTION
EEPROM FORMAT TEST	◀◀ ◀◀ to Exit	Load default data. Display shows "NEW". Caution! All presets from the customer will be lost!!
ROTARY ENCODER TEST	Volume Knob	Display shows value for 2 seconds. Volume values increases or decreases in steps of 1 until 0 (VOL MIN) or 40 (VOL MAX) is reached.
LEAVE SERVICE TEST PROGRAM	Disconnect mains cord	

Reprogramming of DVD version Matrix

After repair, the customer setting and region code may be lost. Reprogramming will put the set back in the state in which it has left the factory, ie. with the default setting and the allowed region code.

Model	Region	Region Code	TV Type
LX8300SA/01	Europe	2	PAL
LX8300SA/05	Europe	2	PAL
LX8320SA/69	AP	3	PAL
LX8300SA/04	Russia	5	PAL
LX8320SA/93	China	6	PAL
LX8500W/01	Europe	2	PAL
LX8500W/04	Russia	5	PAL
LX8500W/69	AP	3	PAL
LX8500W/93	China	6	PAL

To reprogram do as follows:

- 1) Power up the set and select **DISC** source.
- 2) Open tray by press "OPEN/CLOSE" button on the set or press and hold "STOP" button on the RC.
- 3) Press the following buttons on the Remote Control:
 <9> <9> <9> <9> <AUDIO> <1> for LX8300SA/01
 <9> <9> <9> <9> <AUDIO> <2> for LX8300SA/05
 <9> <9> <9> <9> <AUDIO> <3> for LX8320SA/69
 <9> <9> <9> <9> <AUDIO> <4> for LX8300SA/04
 <9> <9> <9> <9> <AUDIO> <5> for LX8320SA/93
 <9> <9> <9> <9> <AUDIO> <6> for LX8500W/01
 <9> <9> <9> <9> <AUDIO> <7> for LX8500W/04
 <9> <9> <9> <9> <AUDIO> <8> for LX8500W/69
 <9> <9> <9> <9> <AUDIO> <9> for LX8500W/93
- 4) The display shows '**YYYY-ZZ**' and the tray will close.
 YYYY = model number (eg. 8300, 8500, etc.)
 ZZ = slash stroke version (eg. 01, 69, etc.)

Procedure for check Software version

- 1) Power up the set and select **DISC** source.
- 2) Open tray by press "OPEN/CLOSE" button on the set or press and hold "STOP" button on the RC.
- 3) Press "DISPLAY" button on the Remote control.
- 4) The TV screen will shows:

SD6.3 Vxx YYYY-ZZ A BB

SERVO: nnnnnnnn REG:A

xx = version number
 YYYY = model number (eg. 8300, 8500, etc.)
 ZZ = slash stroke version (eg. 01, 69, etc.)
 A = region code
 BB = Front uP software version number
 nnnnnnnn = servo version number

Procedure to upgrade software

- 1) Power up the set and select **DISC** source.
- 2) Open tray by press "OPEN/CLOSE" button on the set or press and hold "STOP" button on the RC.
- 3) Place upgrade CD-ROM onto tray and close.
- 4) The set will response and display the following:
 - **LOAD** [After the disc is read, the tray will open for you to remove the disc]
 - **ERASE** [Erasing disc]
 - **WRITE** [Writing disc]
 - **ERROR** [if upgrade is unsuccessful]
 - **UPG END** [if upgrade is successful]
 - **DISC->CLOSE->LOAD** [Tray will close indicating that the upgrade process is completed]
- 5) The whole process should not take more than 5 minutes.

Caution: Do not unplug the set until upgrade is completed.

Trade Mode

Trade mode is a feature that will block all set keys when enabled. It is for dealers to prevent customers from removing disc, changing source etc using the set keys. Rotary and Remote Control (RC) keys are still allowed in Trade mode.

To activate Trade Mode:

- 1) Power up the set and select **DISC** source.
- 2) Open tray by press "OPEN/CLOSE" button on the set or press and hold "STOP" button on the RC.
- 3) Then press buttons <2> <5> <9> on the RC.
- 4) The display shows '**TRA ON**' and the tray will close.
Trade Mode is now enabled.

To deactivate Trade Mode:

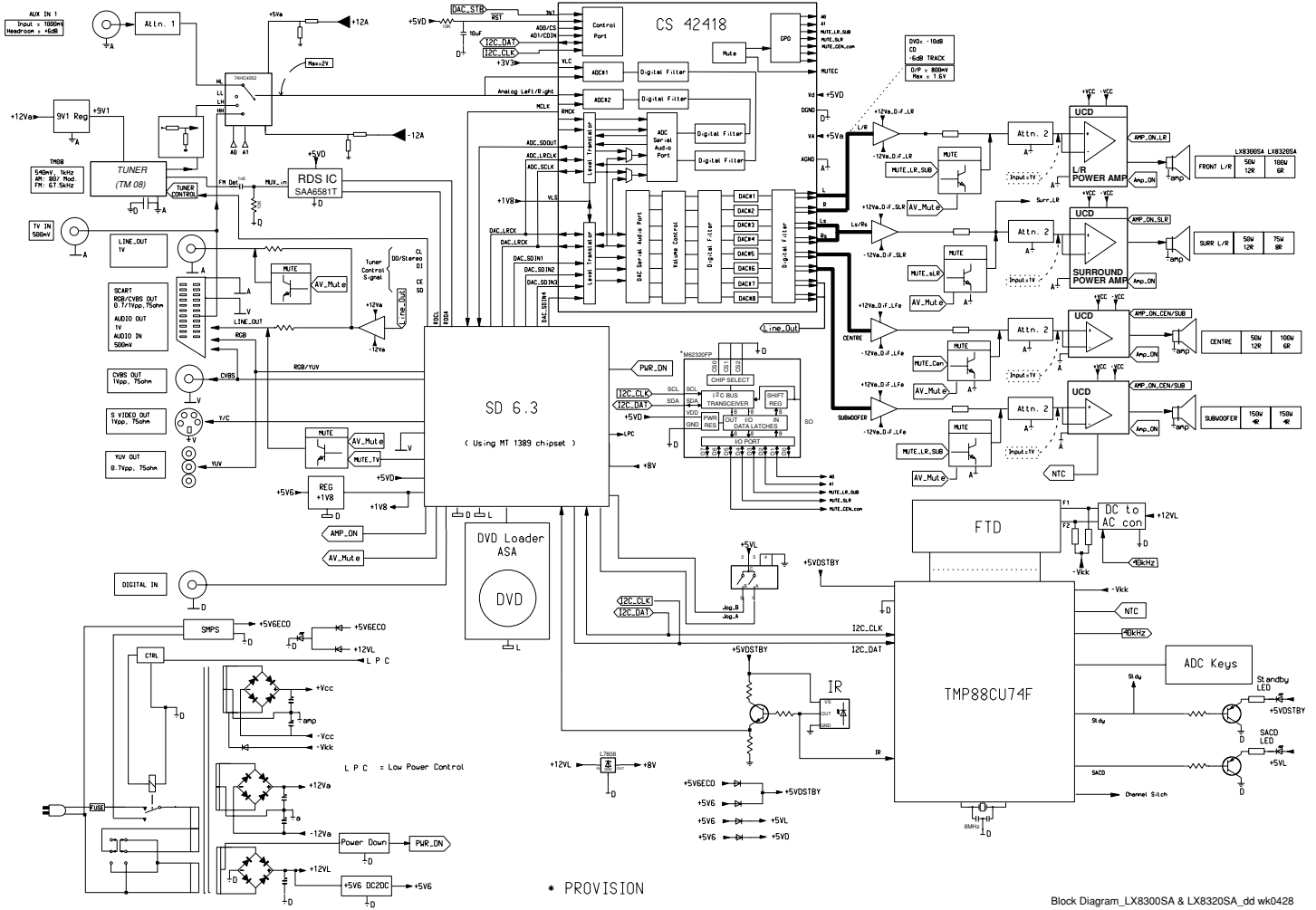
- 1) Power up the set and select **DISC** source.
- 2) Open tray by press and hold "STOP" button on the RC.
- 3) Then press buttons <2> <5> <9> on the RC.
- 4) The display shows '**TRA OFF**' and the tray will close.
Trade Mode is now disabled.

Procedure to change Tuner Grid (not for all versions)

- 1) By holding "SOURCE" and "PREV" buttons depressed while switching on the mains supply, the tuning grid frequency is toggled between 9kHz and 10kHz.
- 2) Hold the "SOURCE" and "PREV" buttons depressed until the display shown the new tuning grid '**GRID 9**' or '**GRID 10**'.

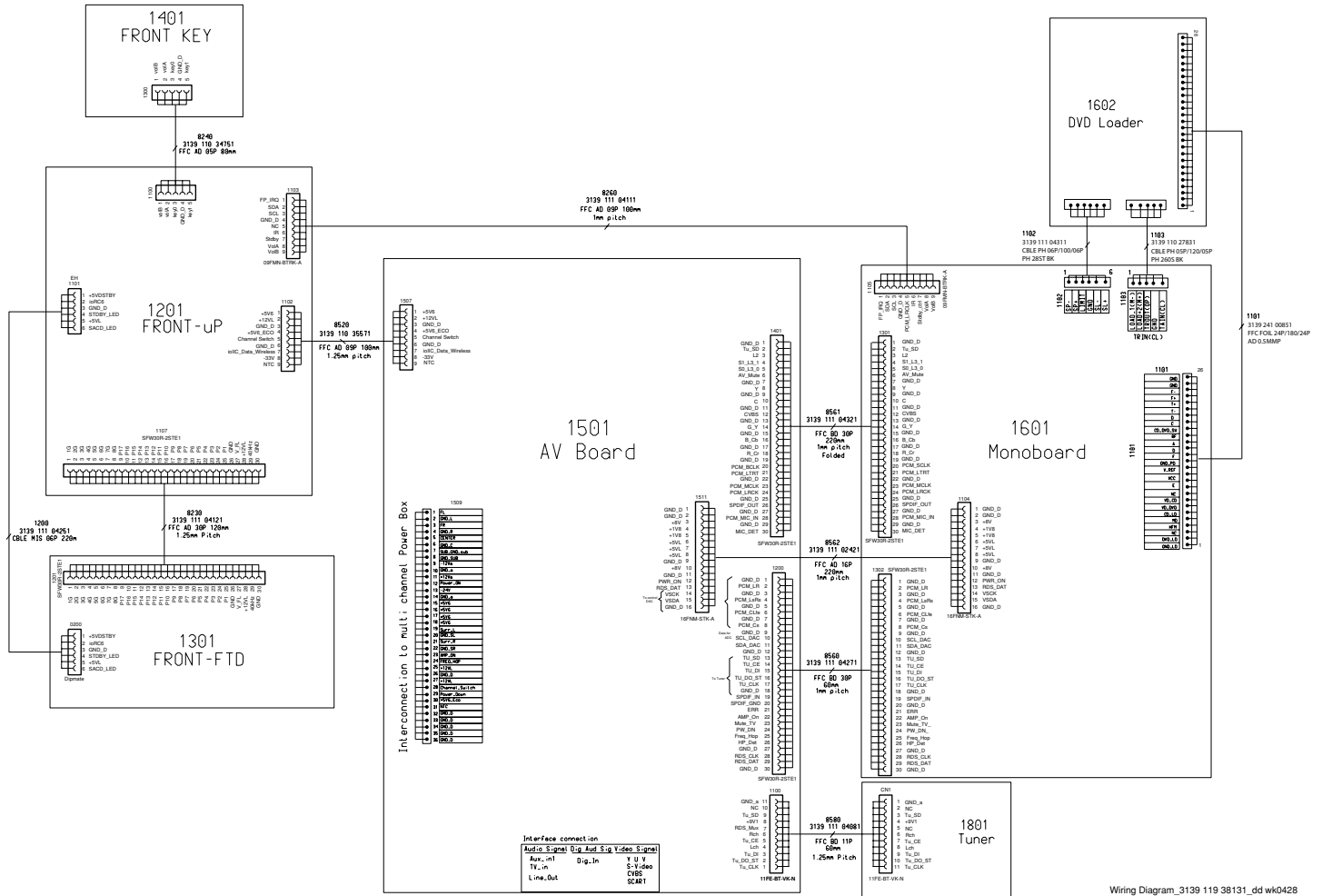
Note: Repeating the same action will toggle back to its previous tuning grid setting.

SET BLOCK DIAGRAM



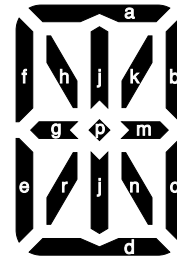
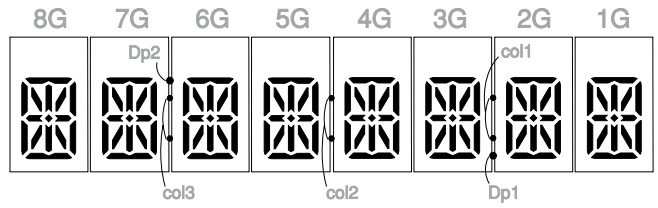
Block Diagram_LX8300SA & LX8320SA_dd wk0428

SET WIRING DIAGRAM



Wiring Diagram_3139 119 38131_dd wk0428

FTD DISPLAY PIN CONNECTION



(1G - 8G)

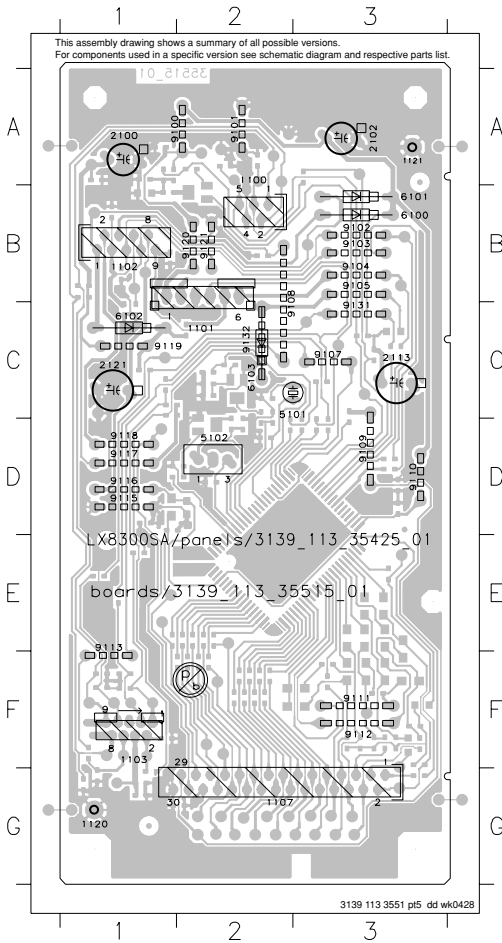
	8G	7G	6G	5G	4G	3G	2G	1G
P1	a	a	a	a	a	a	a	a
P2	k	k	k	k	k	k	k	k
P3	j	j	j	j	j	j	j	j
P4	h	h	h	h	h	h	h	h
P5	b	b	b	b	b	b	b	b
P6	f	f	f	f	f	f	f	f
P7	m	m	m	m	m	m	m	m
P8	p	p	p	p	p	p	p	p
P9	g	g	g	g	g	g	g	g
P10	c	c	c	c	c	c	c	c
P11	e	e	e	e	e	e	e	e
P12	n	n	n	n	n	n	n	n
P13	r	r	r	r	r	r	r	r
P14	-	col3		col2		col1		-
P15	d	d	d	d	d	d	d	d
P16	-	-	-	-	-	-	-	-
P17	-	Dp2		-	-	Dp1		-

PANEL FRONT BOARDS

TABLE OF CONTENTS

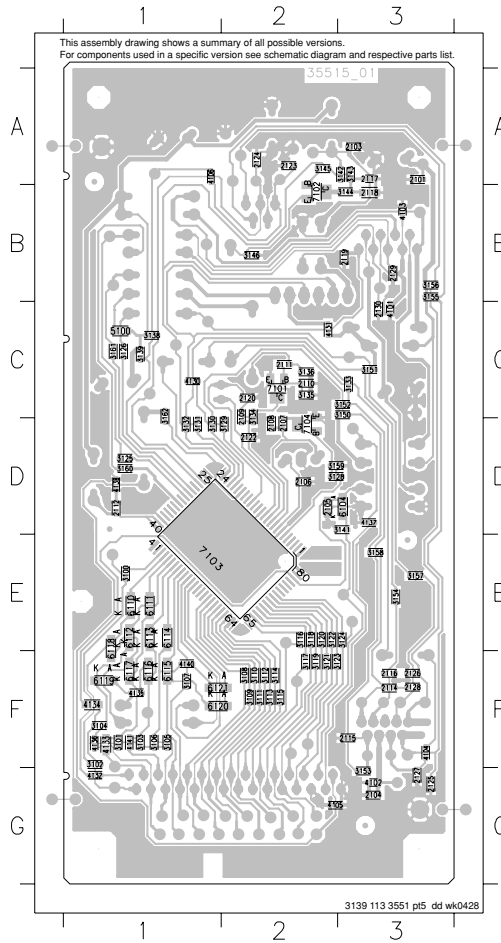
FTD Display Pin Connection 6-1
 Front Board - Component & Chip Layout 6-2
 Front Board - Circuit Diagram 6-3
 IR/FTD/LED Board - Component & Chip Layout 6-4
 IR/FTD/LED Board - Circuit Diagram 6-5
 Front Key Board - Component & Chip Layout 6-6
 Front Key Board - Circuit Diagram 6-7
 Electrical parts list 6-7

FRONT BOARD - COMPONENT LAYOUT



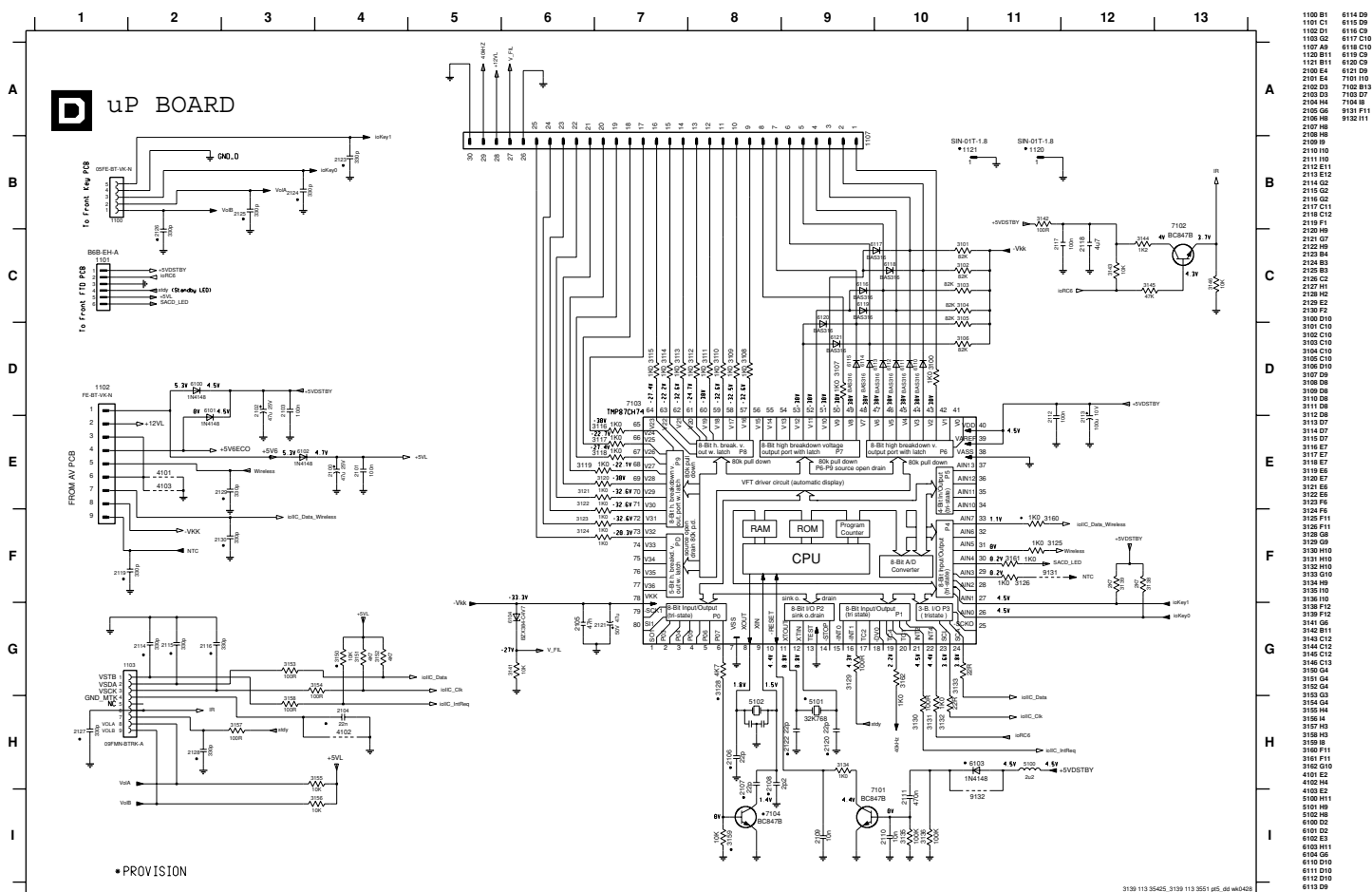
- 1100 A2
- 1101 C2
- 1102 B1
- 1103 F1
- 1107 G2
- 1120 G1
- 1121 A3
- 2100 A1
- 2102 A3
- 2113 C3
- 2121 C1
- 5101 C2
- 5102 D2
- 6100 B3
- 6101 B3
- 6102 C1
- 6103 C2
- 9100 A1
- 9101 A2
- 9102 B3
- 9103 B3
- 9104 B3
- 9105 B3
- 9108 C2
- 9109 D3
- 9110 D3
- 9111 F1
- 9112 F3
- 9113 E1
- 9115 D1
- 9116 D1
- 9117 D1
- 9118 C1
- 9119 B1
- 9120 B2
- 9121 B2
- 9131 C2
- 9132 C2

FRONT BOARD - CHIP LAYOUT

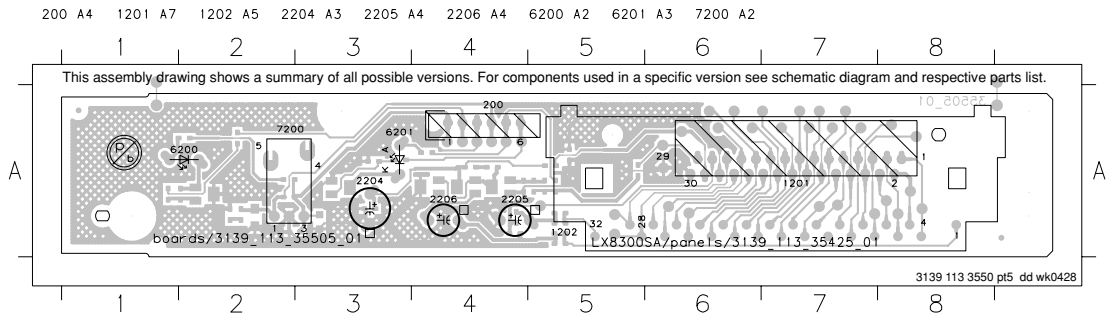


- 2101 A3
- 2103 A3
- 2104 G3
- 2105 D2
- 2106 D2
- 2107 D2
- 2108 D2
- 2109 C2
- 2110 C2
- 2111 C2
- 2112 D1
- 2114 F3
- 2115 F3
- 2116 F3
- 2117 A3
- 2118 B3
- 2119 B3
- 2122 D2
- 2123 A2
- 2124 A2
- 2125 G3
- 2126 F3
- 2127 F3
- 2128 F3
- 2129 B3
- 2130 C3
- 3101 F1
- 3102 F1
- 3103 F1
- 3104 F1
- 3105 F1
- 3106 F1
- 3107 F1
- 3108 F2
- 3109 F2
- 3110 F2
- 3111 F2
- 3112 F2
- 3113 F2
- 3114 F2
- 3115 F2
- 3116 E2
- 3117 F2
- 3118 E2
- 3119 F2
- 3120 E2
- 3121 F2
- 3122 E2
- 3123 F2
- 3124 E3
- 3125 D1
- 3126 C1
- 3128 D2
- 3129 D2
- 3130 D1
- 3131 D1
- 3132 D1
- 3133 C3
- 3134 C2
- 3135 C2
- 3136 C2
- 3138 C1
- 3139 C1
- 3141 D3
- 3142 A3
- 3143 A3
- 3144 B3
- 3145 A2
- 3146 B2
- 3150 C3
- 3151 C3
- 3152 C3
- 3153 G3
- 3154 E3
- 3155 B3
- 3156 B3
- 3157 F3
- 3158 F3
- 3159 D2
- 3160 D1
- 3161 C1
- 3162 C1
- 4101 C3
- 4102 G3
- 4103 B3
- 4104 F3
- 4105 G2
- 4106 A1
- 4130 C2
- 4131 C2
- 4132 G1
- 4133 F1
- 4134 F1
- 4135 F1
- 4136 F1
- 4137 D3
- 4140 F1
- 4141 F1
- 5100 C1
- 6104 D3
- 6110 E1
- 6111 E1
- 6112 E1
- 6113 E1
- 6114 E1
- 6115 F1
- 6116 F1
- 6117 F1
- 6118 E1
- 6119 F1
- 6120 F1
- 6121 F1
- 7101 C2
- 7102 B2
- 7103 E1
- 7104 D2

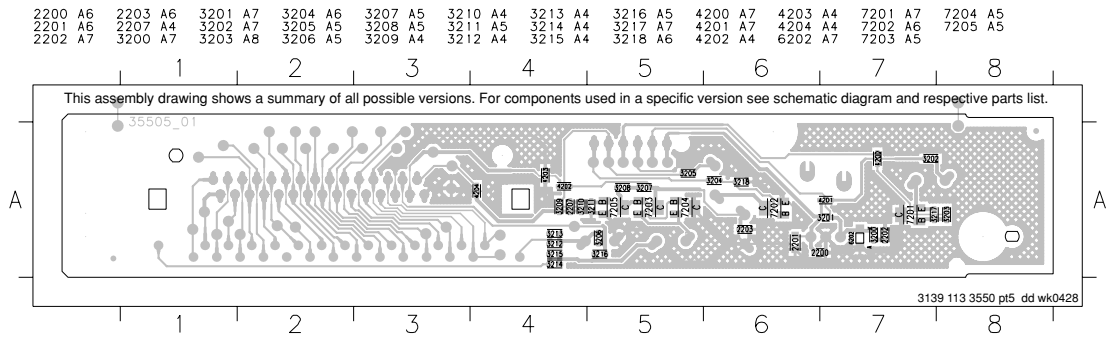
FRONT BOARD - CIRCUIT DIAGRAM



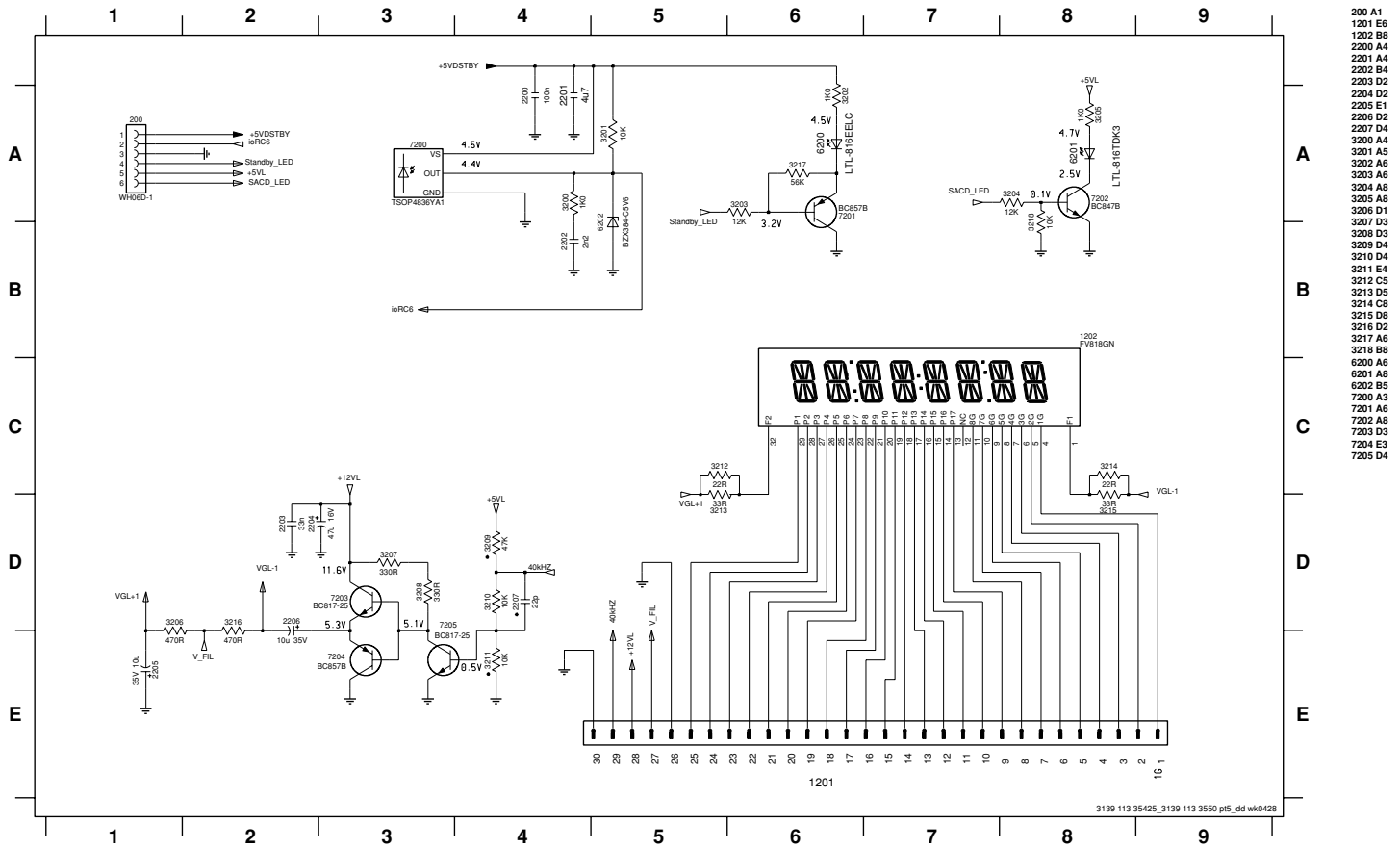
IR/FTD/LED BOARD - COMPONENT LAYOUT



IR/FTD/LED BOARD - CHIP LAYOUT



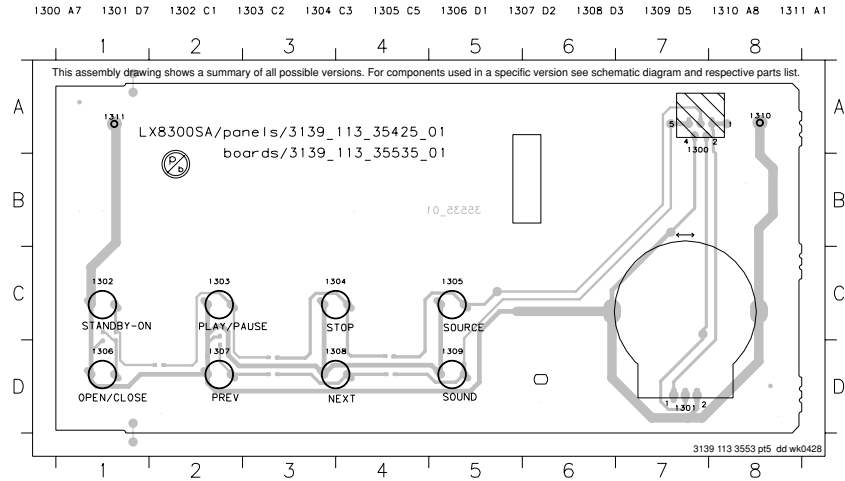
IR/FTD/LED BOARD - CIRCUIT DIAGRAM



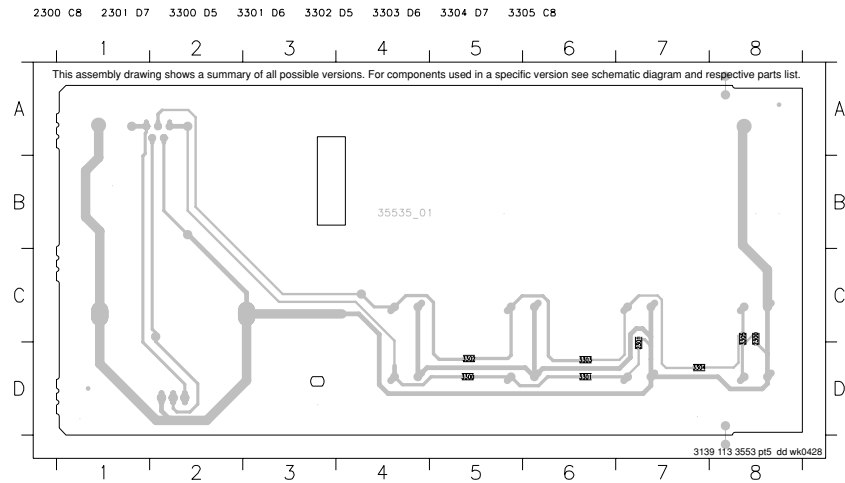
- 200 A1
- 1201 E6
- 1202 B8
- 2200 A4
- 2201 A4
- 2202 B4
- 2203 D2
- 2204 D2
- 2205 E1
- 2206 D2
- 2207 D4
- 3200 A4
- 3201 A5
- 3202 A6
- 3203 A6
- 3204 A8
- 3205 A8
- 3206 D1
- 3207 D3
- 3208 D3
- 3209 D4
- 3210 D4
- 3211 E4
- 3212 C5
- 3213 D5
- 3214 C8
- 3215 D8
- 3216 D2
- 3217 A6
- 3218 B8
- 6200 A6
- 6201 A8
- 6202 B5
- 7200 A3
- 7201 A6
- 7202 A8
- 7203 D3
- 7204 E3
- 7205 D4

3139 113 35425_3139 113 3550 pi5_dd wk0428

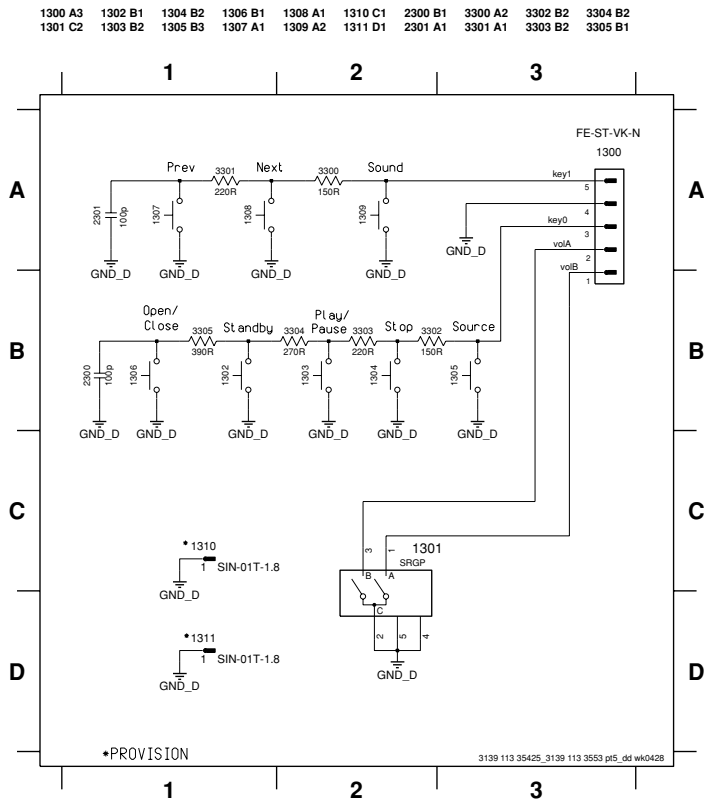
FRONT KEY BOARD - COMPONENT LAYOUT



FRONT KEY BOARD - CHIP LAYOUT



FRONT KEY BOARD - CIRCUIT DIAGRAM



ELECTRICAL PARTS LIST - FRONT BOARD

MISCELLANEOUS

1100	4822 265 31205	FLEX CONNECTOR 5P
1102	2422 025 14518	FLEX CONNECTOR 9P
1103	2422 025 16586	FLEX CONNECTOR 9P
1103	2422 025 05587	FLEX CONNECTOR 9P
1107	2422 025 17411	FLEX CONNECTOR 30P

COILS & FILTERS

5100	4822 157 10586	FXD IND 2.2uH 10%
5102	2422 540 98518	RES CER 8MHz CSTS*MG03

DIODES

6100	4822 130 30621	1N4148
6101	4822 130 30621	1N4148
6102	4822 130 30621	1N4148
6104	4822 130 11148	BZX384-C4V7
6110	4822 130 11397	BAS316
6111	4822 130 11397	BAS316
6112	4822 130 11397	BAS316

TRANSISTORS & INTEGRATED CIRCUITS

7101	5322 130 60159	BC847B
7102	5322 130 60159	BC847B
7103	3139 240 50941	TMP87CM74AF-'LX8300S50941'
7104	5322 130 60159	BC847B

Note : Only the parts mentioned in this list are normal service spare parts.

ELECTRICAL PARTS LIST - IR/FTD/LED BOARD

MISCELLANEOUS

1201	2422 025 17414	FLEX CONNECTOR 30P
1202	3139 111 04051	FTD FV818GN

DIODES

6200	9322 179 76676	LED VS LTL-816EELC
6201	9322 190 55676	LED VS LTL-816TDK3
6202	3198 020 55680	BZX384-C5V6

TRANSISTORS & INTEGRATED CIRCUITS

7200	9322 185 95667	IR RECEIVER TSOP4836YA1
------	----------------	-------------------------

7201	4822 130 60373	BC857B
7202	5322 130 60159	BC847B
7203	4822 130 42804	BC817-25
7204	4822 130 60373	BC857B
7205	4822 130 42804	BC817-25

Note : Only the parts mentioned in this list are normal service spare parts.

ELECTRICAL PARTS LIST - FRONT KEY BOARD

MISCELLANEOUS

1300	4822 267 10958	FLEX CONNECTOR 5P
1301	2422 129 16936	ROT ENCODER 32P
1302	4822 276 13775	TACT SWITCH
1303	4822 276 13775	TACT SWITCH
1304	4822 276 13775	TACT SWITCH
1305	4822 276 13775	TACT SWITCH
1306	4822 276 13775	TACT SWITCH

1307	4822 276 13775	TACT SWITCH
1308	4822 276 13775	TACT SWITCH
1309	4822 276 13775	TACT SWITCH

Note : Only the parts mentioned in this list are normal service spare parts.

AV BOARD

TABLE OF CONTENTS

Brief Introduction of the AV Board	7-1
Top View Layout	7-2
Bottom View Layout	7-3
Circuit Diagram (Part 1)	7-4
Circuit Diagram (Part 2)	7-5
Circuit Diagram (Part 3)	7-6
Circuit Diagram (Part 4)	7-7
Circuit Diagram (Part 5)	7-8
Circuit Diagram (Part 6)	7-9
Electrical parts list	7-10

BRIEF INTRODUCTION OF THE AV BOARD

The AV Board consists of the following features :

a. IC CS42418

IC CS42418 acts as both DAC and ADC. It accepts PCM data at sample rate from 4kHz to 192kHz audio data. The analog output is then fed into the Op-Amps which are used to filter and amplify the 6-channel signals before passing them onto the Power-Amp module.

There are eight 24 bit DAC within this chip, 6 of those are dedicated to the 6-channel output, the other 2 are used for LINE OUT signal.

This chip has 24 bit ADC. The internal stereo ADC is capable of independent gain control for single ended or differential analog input. The digital output line ADC_SDOUT is then passed on to the MTK of the SD6.3 module. CS42418 is controlled by the SD6.3 module via the I²C bus.

b. IC HEF4052BI

The selection of TUNER, TV INPUT, AUX INPUT is made by IC HEF4052BT which acts as a multiplexer.

c. Video signals are buffered (not for all versions) before connecting to the TV.

d. YUV OUT

YUV OUT with cinch socket for connection to TV. Progressive Y Pb Pr is selected through RC.

e. LINE OUT

LINE OUT with cinch socket for connection to external amplifier.

f. SCART

SCART output for audio/video connection to TV (not for all versions).

g. S-Video and CVBS

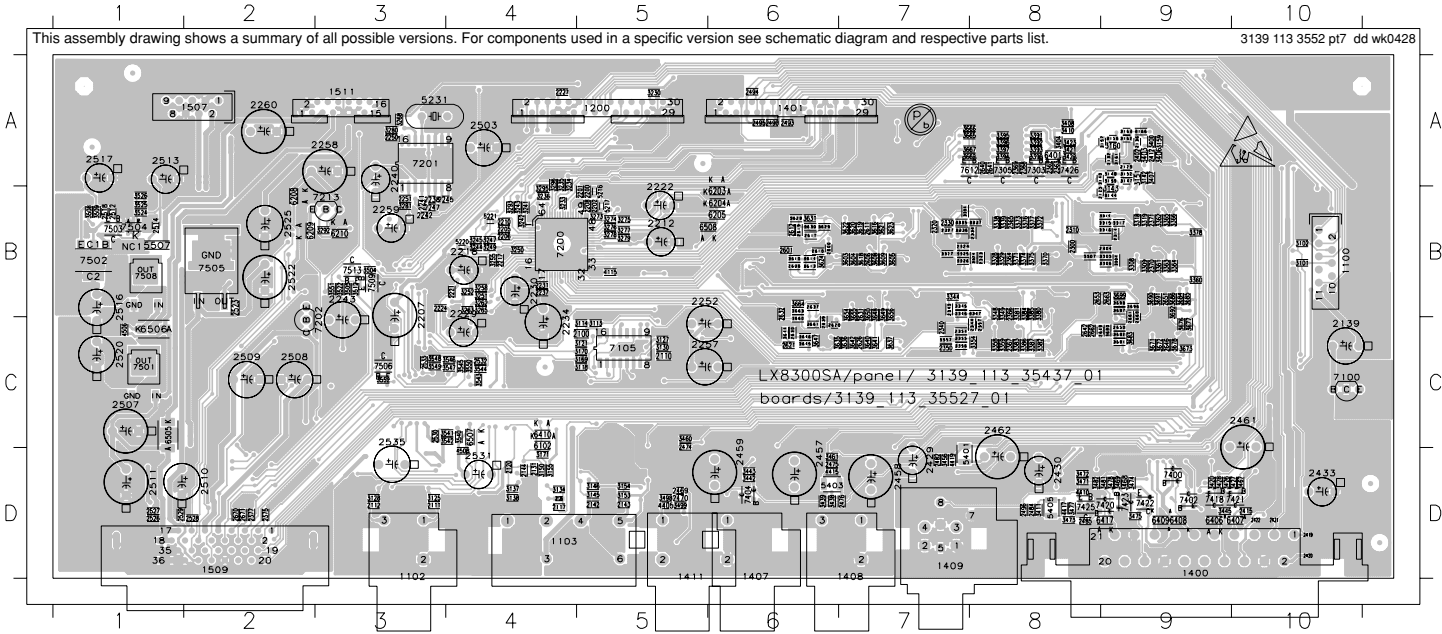
S-Video and CVBS are used for video connection to the TV.

h. DIGITAL IN

DIGITAL IN with cinch socket for connection to DIGITAL OUT of other audio equipments.
The Digital_in source is fed to the SD6.3 module for audio decoding.

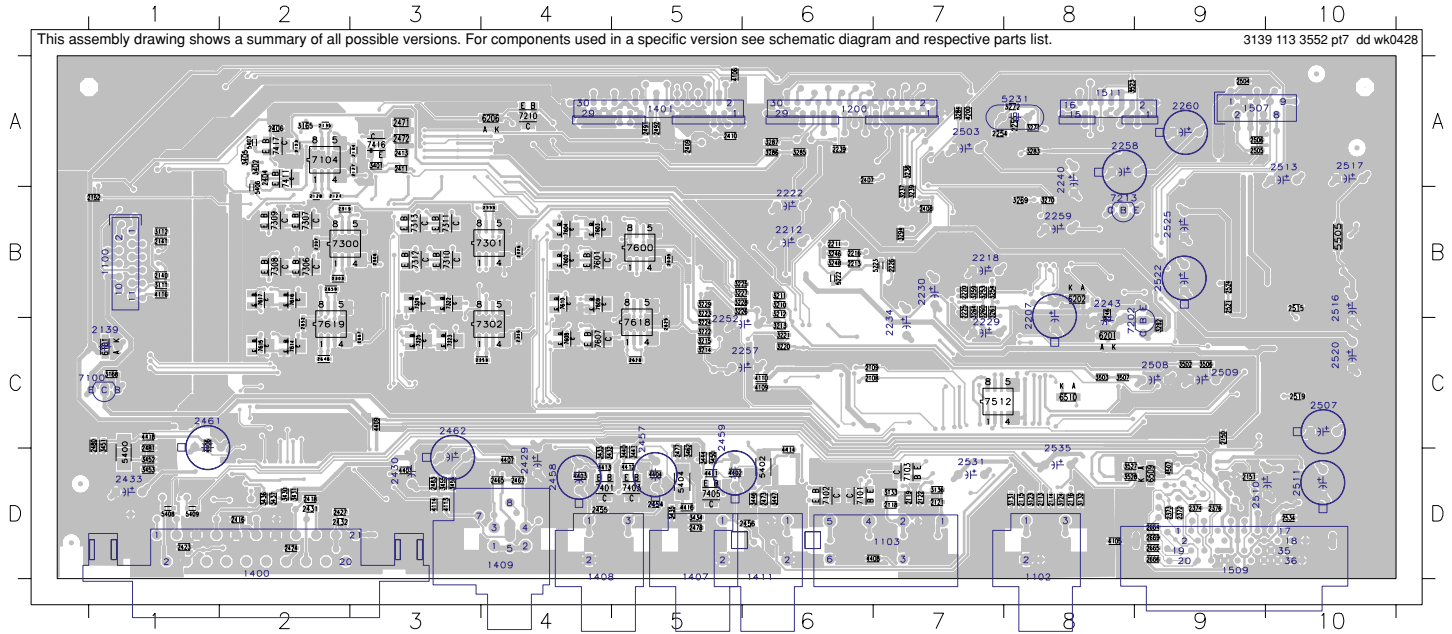
AV BOARD - TOP VIEW LAYOUT

1100 B10	2200 B5	2251 B3	2368 A8	2485 D8	2532 C4	2660 C9	3148 A9	3247 B4	3308 B9	3356 C7	3390 A8	3456 D7	3542 C4	3629 B6	3672 C9	5217 B5	7200 B4
1102 D3	2201 B5	2252 B5	2369 A8	2490 A6	2533 C3	2661 C9	3150 D4	3249 B4	3309 B9	3357 C7	3391 A8	3460 C5	3543 C4	3630 B6	3673 C9	5220 B4	7201 A3
1103 D4	2202 B5	2257 C5	2370 B9	2493 A6	2535 C3	2662 C8	3151 A9	3250 B4	3314 B9	3358 C8	3392 A8	3461 D6	3544 C4	3631 B6	3676 C9	5221 B4	7202 C3
1200 A5	2205 A4	2258 A3	2371 B9	2494 A6	2600 B6	2663 B9	3152 A9	3251 B4	3315 B9	3359 C8	3393 A8	3467 D10	3545 C4	3635 C6	3677 C9	5231 A3	7213 B3
1400 D9	2206 B4	2259 B3	2375 D2	2495 A6	2601 B6	2670 D2	3153 D5	3252 B4	3316 B9	3360 B9	3394 A8	3468 D9	3546 C4	3636 C7	3678 C9	5401 D7	7303 A8
1401 A6	2207 B3	2260 A2	2377 D2	2496 D8	2606 B7	2671 D2	3154 D5	3255 B4	3317 B9	3361 B9	3395 A8	3469 D9	3547 C4	3637 C7	3680 C9	5403 D6	7305 A8
1407 D6	2208 B5	2300 B8	2402 A9	2503 A4	2608 B6	3101 B10	3155 D4	3258 B4	3318 B9	3362 B9	3396 A8	3471 D8	3548 C3	3640 C7	3681 C9	5405 D8	7400 D9
1408 D7	2210 B4	2304 B9	2412 A9	2507 C1	2610 B6	3102 B10	3156 A9	3262 B4	3319 B9	3363 B9	3397 A8	3472 D8	3549 C3	3641 C7	3682 C9	5507 B1	7402 D9
1409 D7	2212 B5	2310 B8	2415 D10	2508 C2	2611 B7	3113 C5	3157 A9	3263 B4	3324 B8	3364 B9	3400 A9	3473 D8	3550 C4	3642 C7	3683 C9	6102 C4	7404 D6
1411 D5	2217 B4	2314 B9	2419 D10	2509 C2	2612 B6	3114 C5	3159 A9	3265 B4	3325 B7	3365 B9	3403 A9	3474 D9	3551 B3	3644 C6	3684 B9	6203 B6	7418 D9
1507 A2	2218 B4	2320 B7	2420 D10	2510 D2	2617 B6	3118 C5	3160 A9	3268 A3	3326 B7	3366 B9	3404 A8	3475 D9	3552 C3	3645 C6	3685 B9	6204 B6	7420 D9
1509 D2	2221 B4	2323 B8	2421 D10	2511 D1	2619 B6	3121 C5	3161 A9	3273 B5	3327 B7	3370 B8	3406 A9	3477 D8	3560 B3	3646 C6	3686 B9	6205 B6	7421 D10
1511 A3	2222 B5	2324 B7	2422 D10	2512 B1	2620 C6	3125 D3	3162 A9	3274 B5	3328 B8	3371 B8	3407 A9	3478 D9	3560 B7	3647 C6	3690 B9	6208 B2	7422 D9
2100 C5	2224 B3	2327 B7	2425 D7	2513 A1	2621 C6	3127 C5	3163 A9	3275 B5	3329 B8	3372 B8	3408 A8	3479 D9	3561 B7	3648 B7	3691 B9	6209 B2	7423 D9
2110 C5	2227 A4	2330 B7	2430 B8	2514 B1	2626 C7	3128 D3	3166 A9	3276 B5	3334 B7	3373 B8	3410 A8	3482 D8	3562 B7	3649 B7	3692 B9	6210 B3	7425 D8
2111 D3	2229 B4	2334 B8	2433 D10	2516 B1	2630 C6	3130 C5	3169 C5	3277 B5	3335 B7	3374 B8	3411 D8	3498 D5	3563 B7	3650 B7	3696 B9	6401 A8	7426 A8
2112 D3	2230 B4	2340 C7	2457 D6	2517 A1	2631 B7	3134 D4	3170 C5	3278 B5	3336 B7	3375 B8	3420 D9	3499 D5	3564 B6	3654 B7	3697 B9	6406 D9	7501 C1
2117 D4	2231 B4	2343 B7	2458 D7	2518 B1	2632 B6	3135 D4	3171 D4	3279 B5	3337 B8	3376 B8	3421 A8	3504 B3	3565 B6	3655 B7	3698 B9	6407 D10	7502 B1
2120 D4	2234 C4	2344 C8	2459 D6	2520 C1	2637 B6	3137 D4	3230 A5	3280 A3	3338 B8	3377 B8	3422 A8	3505 B3	3566 B6	3656 B7	3699 B9	6408 D9	7503 B1
2125 B8	2237 B4	2350 C7	2461 C10	2522 B2	2639 C6	3139 D4	3233 B4	3281 B3	3339 B8	3378 B9	3423 A8	3508 B1	3567 B6	3657 B7	3700 B9	6409 D9	7504 B1
2129 A9	2238 B3	2354 C7	2462 C8	2523 B2	2640 A8	3139 A9	3234 A4	3292 B3	3344 B7	3380 B8	3426 D9	3509 B1	3568 B7	3661 C6	3701 B9	6405 D5	7505 B2
2131 D4	2240 A3	2357 C8	2469 D5	2525 B2	2641 A8	3140 A8	3235 A4	3293 B4	3345 B7	3381 B8	3427 D10	3512 B3	3569 B7	3662 A7	3702 B9	6410 D8	7506 C3
2132 A9	2241 B3	2362 A8	2470 D5	2526 D1	2642 C8	3142 A9	3236 B4	3295 B4	3346 B7	3382 C8	3428 D9	3522 B3	3570 B7	3663 B6	3703 B9	6415 D6	7508 B1
2136 A9	2242 B3	2363 A8	2474 C5	2527 D1	2646 C9	3143 B9	3241 B4	3296 A4	3347 B8	3383 C8	3438 D6	3524 B1	3571 B7	3664 B6	3704 B9	6417 D8	7509 B3
2139 C10	2243 B3	2364 B8	2475 D6	2528 D2	2649 C9	3144 B9	3242 B4	3304 B9	3348 B8	3384 B8	3439 D6	3525 B1	3572 B7	3665 A7	3705 B9	6419 D7	7513 B3
2142 D5	2245 B3	2365 B8	2476 D7	2529 D1	2650 C9	3145 D5	3243 B4	3305 B9	3349 B8	3385 B8	3442 D6	3526 B1	3573 B7	3666 A7	3706 B9	6420 C1	7518 B6
2143 D5	2247 B3	2366 B8	2482 D7	2530 C3	2651 B9	3146 D5	3244 B4	3306 B9	3354 C8	3386 C8	3443 D6	3540 C4	3574 B7	3667 A7	3707 B9	6421 D4	7519 C10
2144 D4	2250 A3	2367 C8	2484 D8	2531 D4	2653 B8	3147 A9	3245 B4	3307 B8	3355 C7	3387 C8	3445 D9	3541 C4	3575 B7	3668 B6	3708 B9	6422 B5	7519 C5

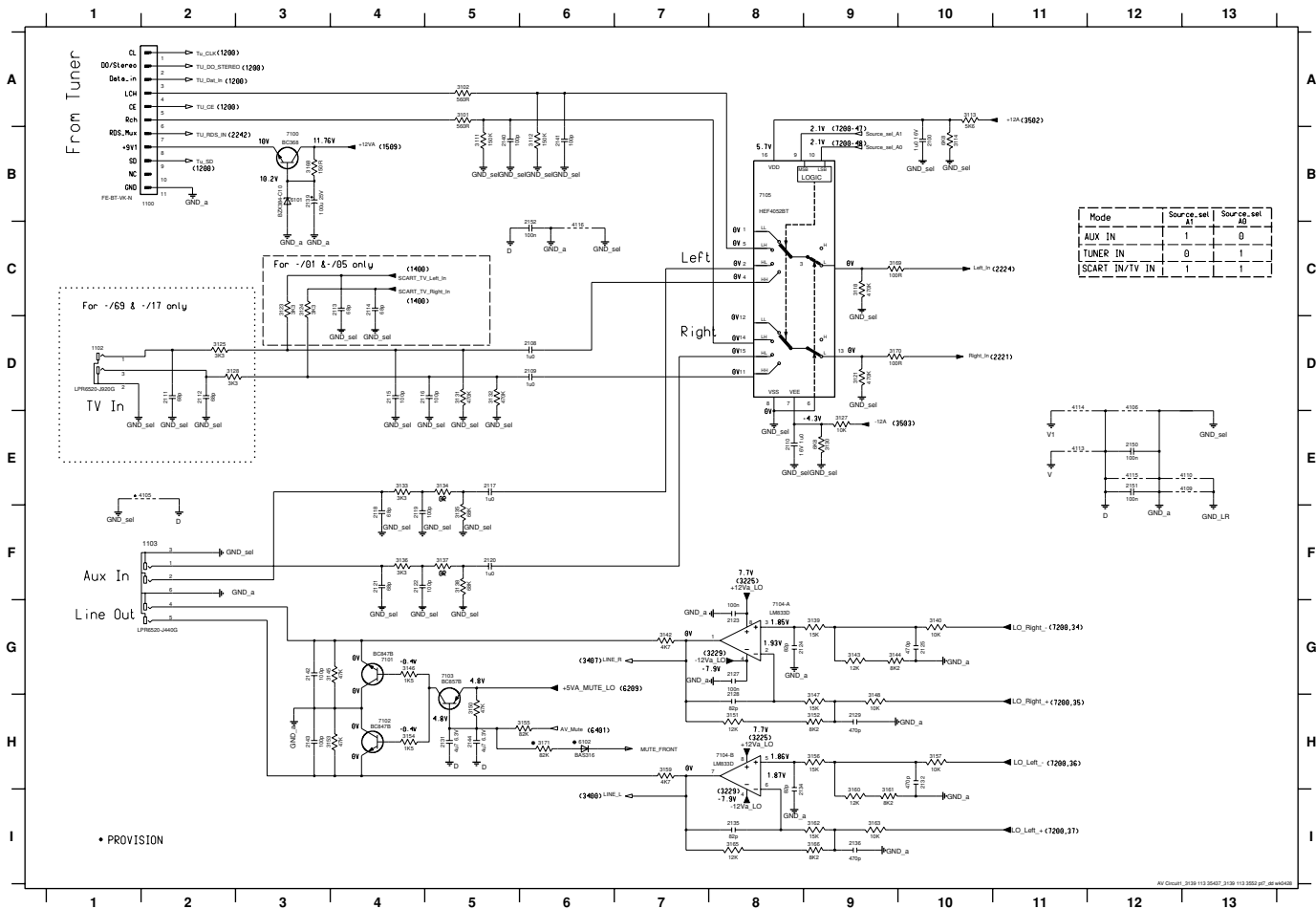


AV BOARD - BOTTOM VIEW LAYOUT

1100 B1	1200 A6	1407 D5	1411 D6	1511 A8	2212 B6	2229 B7	2240 A8	2257 C6	2260 A9	2433 D1	2459 D5	2503 A7	2509 C9	2513 A10	2520 C10	2531 D7	7100 C1
1102 D8	1400 D2	1408 D4	1507 A9	2139 C1	2218 B7	2230 B7	2243 B8	2258 A8	2429 D4	2457 D5	2461 C1	2507 C10	2510 D9	2516 B10	2522 B9	2535 C8	7202 C8
1103 D7	1401 A5	1409 D4	1509 D9	2207 B8	2222 B6	2234 C7	2252 B6	2259 B8	2430 D3	2458 D4	2462 C3	2508 C9	2511 D10	2517 A10	2525 B9	5231 A8	7213 B8
2108 C6	2134 A3	2246 B8	2376 D9	2431 D2	2483 D3	2648 C2	3133 D7	3224 C5	3260 B7	3401 A3	3446 D6	3527 D8	4406 C1	5402 D6	7102 D6	7313 B3	7602 B4
2109 C6	2135 A2	2254 A7	2404 A2	2432 D2	2491 A5	2652 C2	3136 D7	3225 B5	3261 B7	3402 A2	3447 D6	3528 D8	4407 D4	5404 D5	7103 D7	7322 B3	7603 B4
2113 D8	2140 B1	2255 A8	2406 A2	2454 D5	2492 A5	2657 C3	3165 A2	3226 B5	3264 B7	3405 A2	3450 D5	4105 D8	4408 D6	5406 B2	7104 A2	7323 C3	7604 B4
2114 D8	2141 B1	2303 B2	2407 A6	2455 D4	2504 A9	2659 B2	3168 C1	3227 B5	3269 B8	3430 D2	3451 C1	4106 A5	4409 C3	5407 A2	7210 A4	7324 B3	7607 C4
2115 D8	2150 C9	2306 B3	2408 B7	2456 D6	2505 A9	2664 D9	3210 B6	3228 B5	3270 B8	3431 D2	3452 D1	4109 C6	4411 D5	5408 D1	7300 B2	7325 C3	7608 C4
2116 D8	2151 D9	2307 B2	2409 A5	2465 D4	2506 A9	2665 D9	3211 B6	3229 B5	3271 A8	3432 D4	3453 D1	4110 C6	4412 D5	5409 D1	7301 B4	7401 D4	7609 B4
2118 D7	2152 B1	2313 B2	2410 A5	2467 D4	2515 B10	2666 D9	3212 B6	3237 B7	3272 A8	3433 D4	3454 D3	4113 D3	4413 D4	5505 B10	7302 A4	7403 D5	7610 B4
2119 D7	2211 B6	2326 B4	2411 A3	2471 A3	2519 C10	2669 D9	3213 C6	3238 A7	3282 C9	3434 D5	3455 D3	4114 D3	4414 D6	6101 C1	7306 B2	7405 D5	7614 C2
2121 D7	2213 B6	2333 B4	2413 A3	2472 A3	2521 B9	3111 B1	3214 C5	3239 B7	3283 A8	3435 D5	3462 D5	4116 B1	4416 D5	6201 C8	7307 B2	7411 A2	7615 C2
2122 D7	2216 B6	2353 C4	2418 D2	2473 D6	2524 B9	3112 B1	3215 C5	3246 B6	3284 A7	3436 D2	3502 C9	4200 A7	4418 C1	6202 B8	7308 B2	7416 A3	7616 B2
2123 A2	2220 B7	2356 C4	2418 D2	2477 D5	2534 D10	3123 D8	3220 C6	3248 B6	3285 A6	3437 D2	3503 C8	4401 D3	4507 D9	6206 A4	7309 B2	7417 A2	7617 B2
2124 B2	2225 B7	2372 D9	2423 D1	2478 D5	2605 B5	3124 D8	3221 C6	3253 B7	3286 A6	3440 D5	3506 C9	4402 D5	5222 B6	6509 D9	7310 B3	7512 D7	7618 C5
2127 A3	2226 B7	2373 D9	2424 D2	2480 C1	2625 C5	3131 D8	3222 C6	3254 B7	3287 A6	3441 D5	3507 C8	4403 D4	5223 B7	6510 C8	7311 B3	7600 B5	7619 C2
2128 B2	2239 A6	2374 D9	2427 D2	2481 D1	2628 C5	3132 D8	3223 B5	3259 B7	3294 B7	3444 D5	3523 A8	4404 D5	5400 D1	7101 D6	7312 B3	7601 B4	



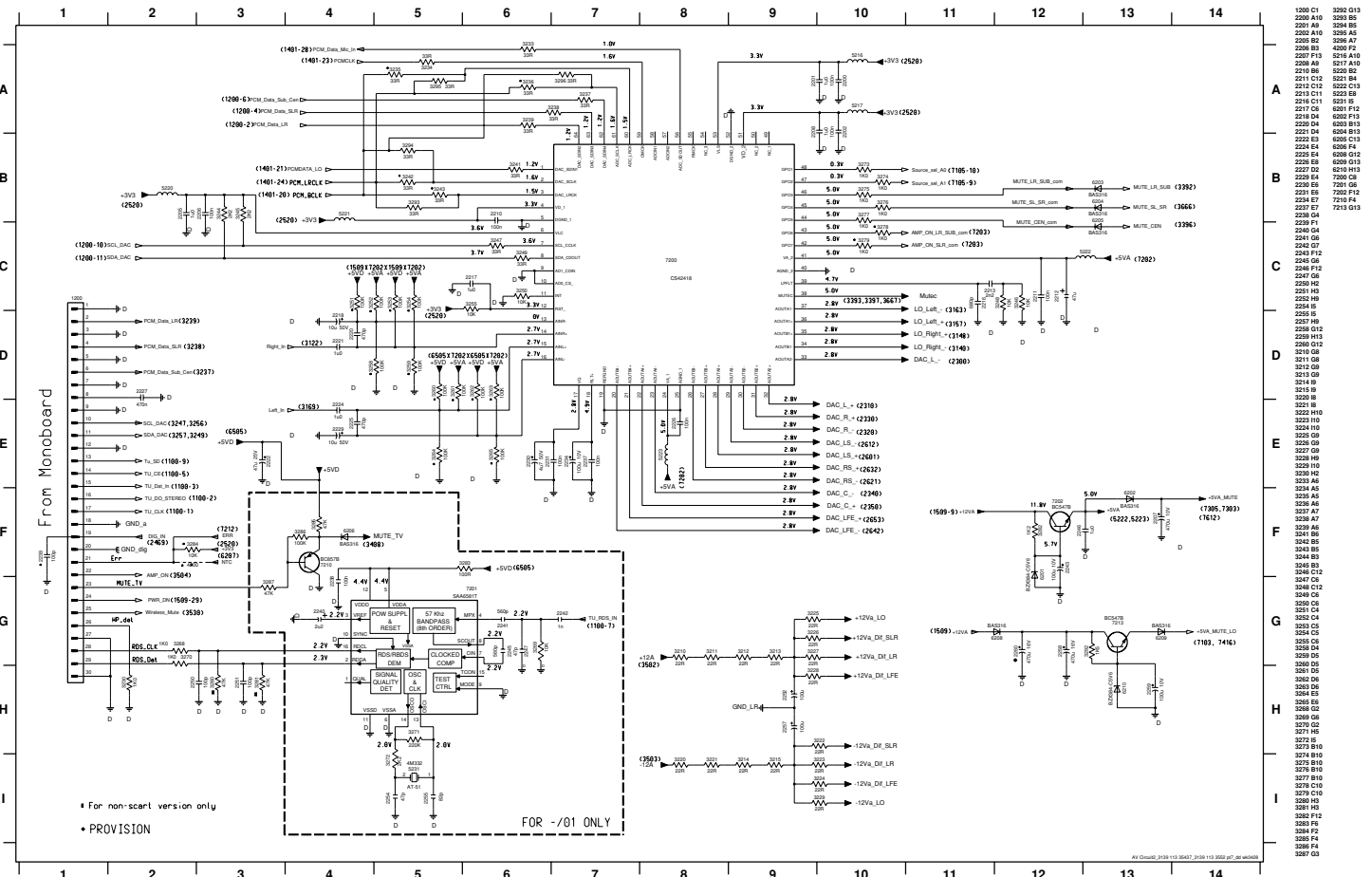
AV BOARD - CIRCUIT DIAGRAM (PART 1)



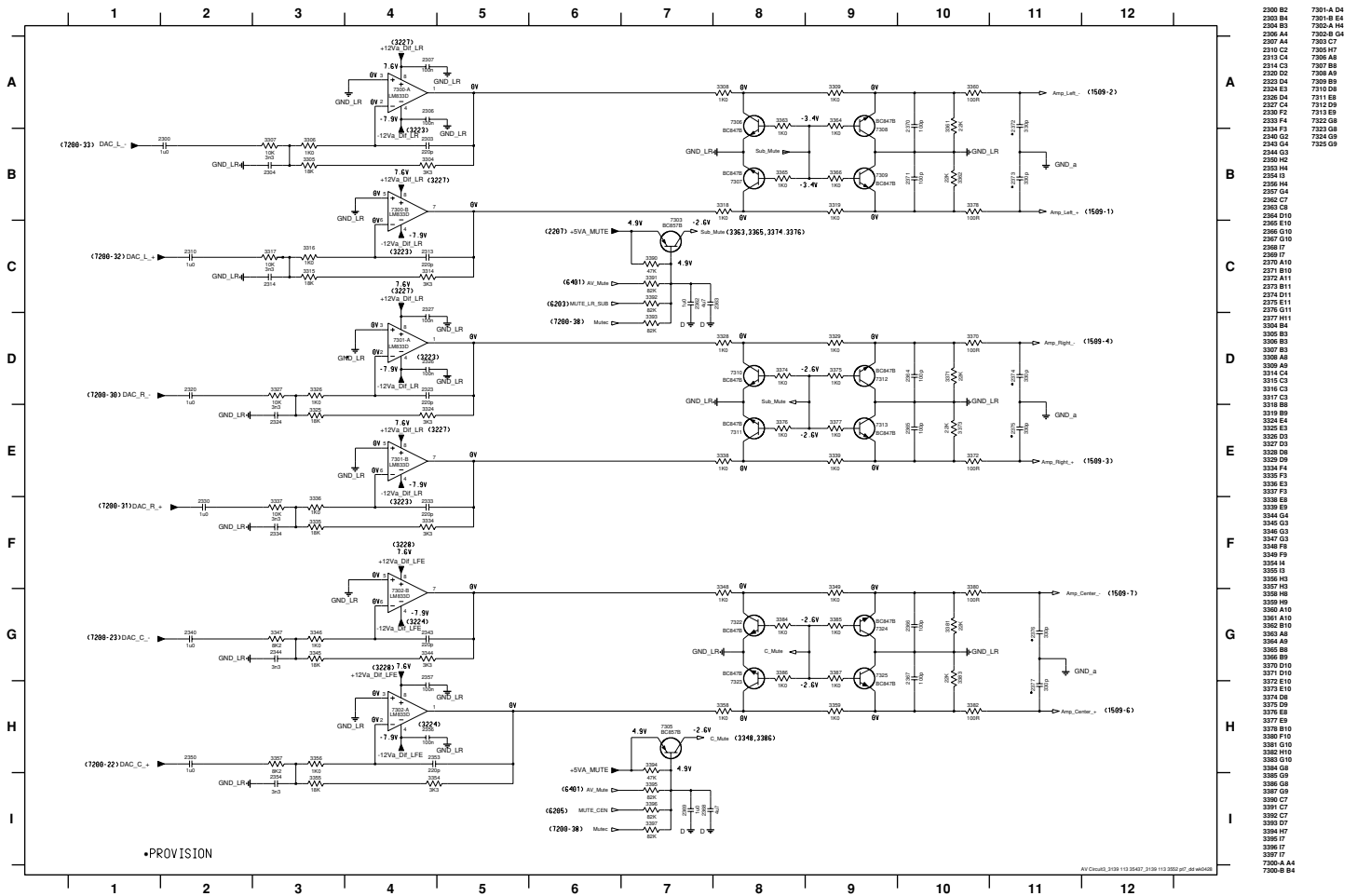
- 1100 B2
- 1102 D1
- 1103 F2
- 2100 B19
- 2100 C9
- 2109 D6
- 2110 E8
- 2111 D2
- 2112 D2
- 2113 C4
- 2114 C4
- 2115 D4
- 2116 D4
- 2117 E5
- 2118 F4
- 2119 F4
- 2120 F5
- 2121 F4
- 2122 F4
- 2123 G8
- 2124 G8
- 2125 G10
- 2127 G8
- 2128 H8
- 2129 H9
- 2131 H5
- 2132 H10
- 2133 B
- 2135 B
- 2136 B
- 2139 B3
- 2140 B5
- 2141 B6
- 2142 G3
- 2143 H3
- 2144 H5
- 2145 E12
- 2151 E12
- 2152 C6
- 3101 A5
- 3102 A5
- 3111 B5
- 3112 B6
- 3113 A10
- 3114 B10
- 3118 C9
- 3121 C9
- 3123 C3
- 3124 C3
- 3125 D2
- 3127 E9
- 3128 E9
- 3130 E9
- 3132 D5
- 3133 E4
- 3134 E5
- 3135 F5
- 3136 F4
- 3138 F5
- 3139 G9
- 3140 G10
- 3142 G7
- 3143 G9
- 3144 G9
- 3145 G4
- 3146 G4
- 3147 H9
- 3148 H9
- 3150 H5
- 3151 H8
- 3152 H8
- 3153 H4
- 3154 H4
- 3155 H6
- 3156 H9
- 3157 H10
- 3159 H7
- 3160 B
- 3161 B
- 3162 B
- 3163 B
- 3165 B
- 3166 D
- 3168 E3
- 3169 C9
- 3170 C9
- 3171 H6
- 4100 E2
- 4105 D12
- 4109 E13
- 4110 E13
- 4111 E11
- 4114 D11
- 4115 E12
- 4116 C6
- 6101 B3
- 6102 H6
- 7100 B3
- 7101 G4
- 7102 H4
- 7103 G5
- 7104-A G8
- 7104-B H8
- 7105 B8

AV Board_3109 113 36407_3109 113 36523.ppt_ah.w4x43

AV BOARD - CIRCUIT DIAGRAM (PART 2)



AV BOARD - CIRCUIT DIAGRAM (PART 3)

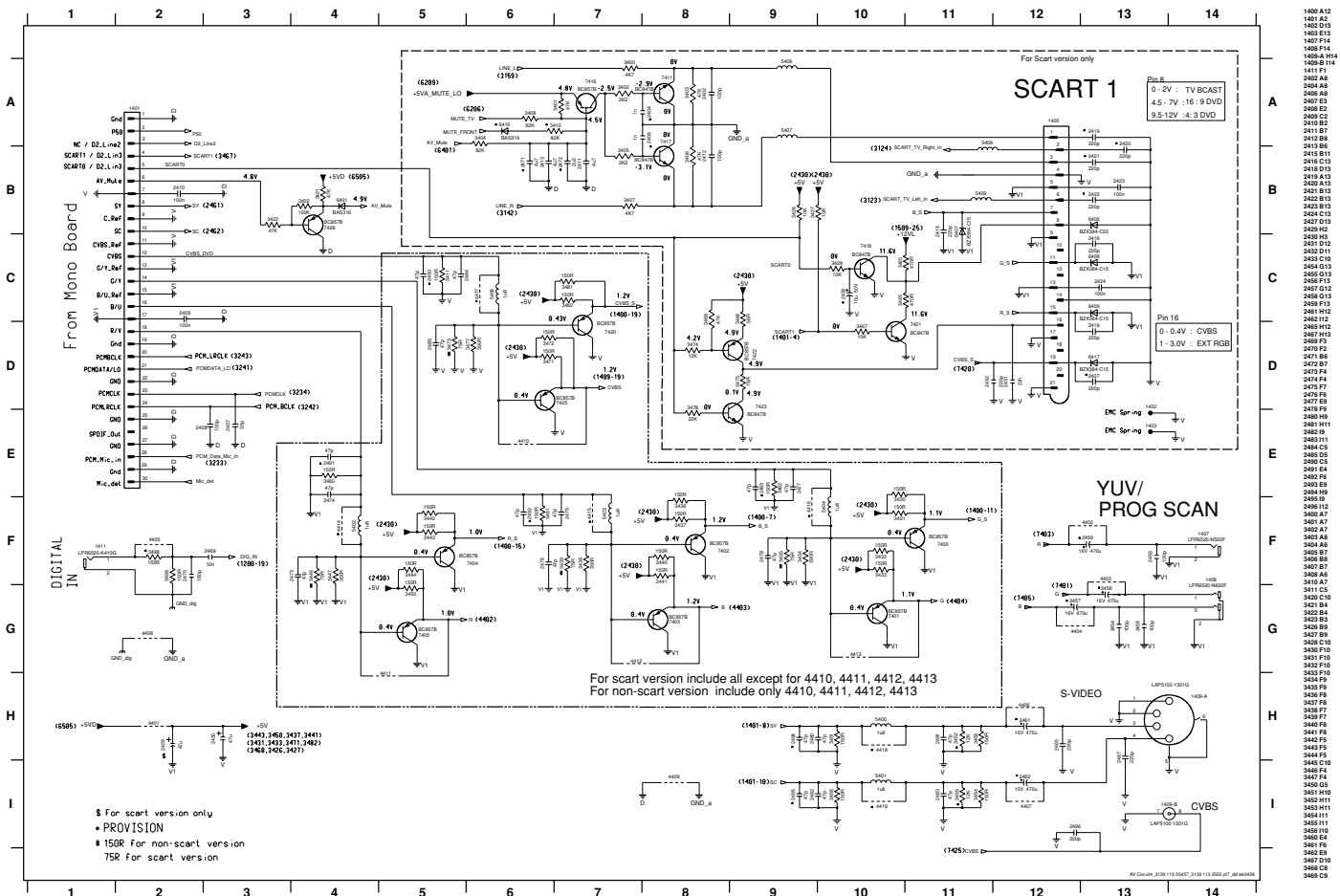


- 2300 B2
- 2300 B4
- 2300 B5
- 2300 AA
- 2307 AB
- 2310 C2
- 2313 CA
- 2314 C3
- 2320 D2
- 2323 D4
- 2325 DA
- 2326 DB
- 2330 F2
- 2333 FA
- 2334 FB
- 2340 G2
- 2343 GA
- 2344 GB
- 2345 GC
- 2350 H2
- 2353 HA
- 2354 HB
- 2360 CT
- 2362 CB
- 2364 D10
- 2365 E10
- 2366 G10
- 2367 G10
- 2368 I7
- 2370 A10
- 2371 B10
- 2372 A11
- 2373 B11
- 2374 D11
- 2375 E11
- 2376 G11
- 2377 H11
- 3300 BA
- 3305 BB
- 3307 BB
- 3307 BB
- 3309 AB
- 3310 CA
- 3315 C2
- 3316 C3
- 3317 C2
- 3318 BB
- 3319 BB
- 3324 EA
- 3325 DA
- 3327 DA
- 3328 DB
- 3329 DB
- 3334 FA
- 3335 FB
- 3336 EB
- 3337 FB
- 3338 EB
- 3339 EB
- 3344 GA
- 3345 GA
- 3346 GB
- 3347 GB
- 3348 FB
- 3349 FA
- 3350 IA
- 3352 HA
- 3353 HA
- 3359 HA
- 3360 A10
- 3361 A10
- 3362 B10
- 3363 AB
- 3365 AB
- 3366 BB
- 3367 BB
- 3370 D10
- 3371 D10
- 3372 E10
- 3373 E10
- 3375 DA
- 3376 DA
- 3377 EB
- 3378 F10
- 3380 F10
- 3381 G10
- 3382 G10
- 3383 G10
- 3384 GB
- 3385 GB
- 3386 GB
- 3387 CB
- 3388 CB
- 3389 CB
- 3390 CB
- 3391 CB
- 3392 CB
- 3393 CB
- 3394 CB
- 3395 CB
- 3396 CB
- 3397 CB
- 3398 CB
- 3399 CB
- 7300-A D4
- 7301-B E4
- 7302-A I4
- 7303-B G4
- 7303-C7
- 7305-K7
- 7306-AA
- 7307-AA
- 7307-BB
- 7307-BA
- 7308-BB
- 7309-BB
- 7310-DB
- 7311-EB
- 7312-EB
- 7313-EB
- 7322-GB
- 7323-GB
- 7324-GB
- 7325-GB

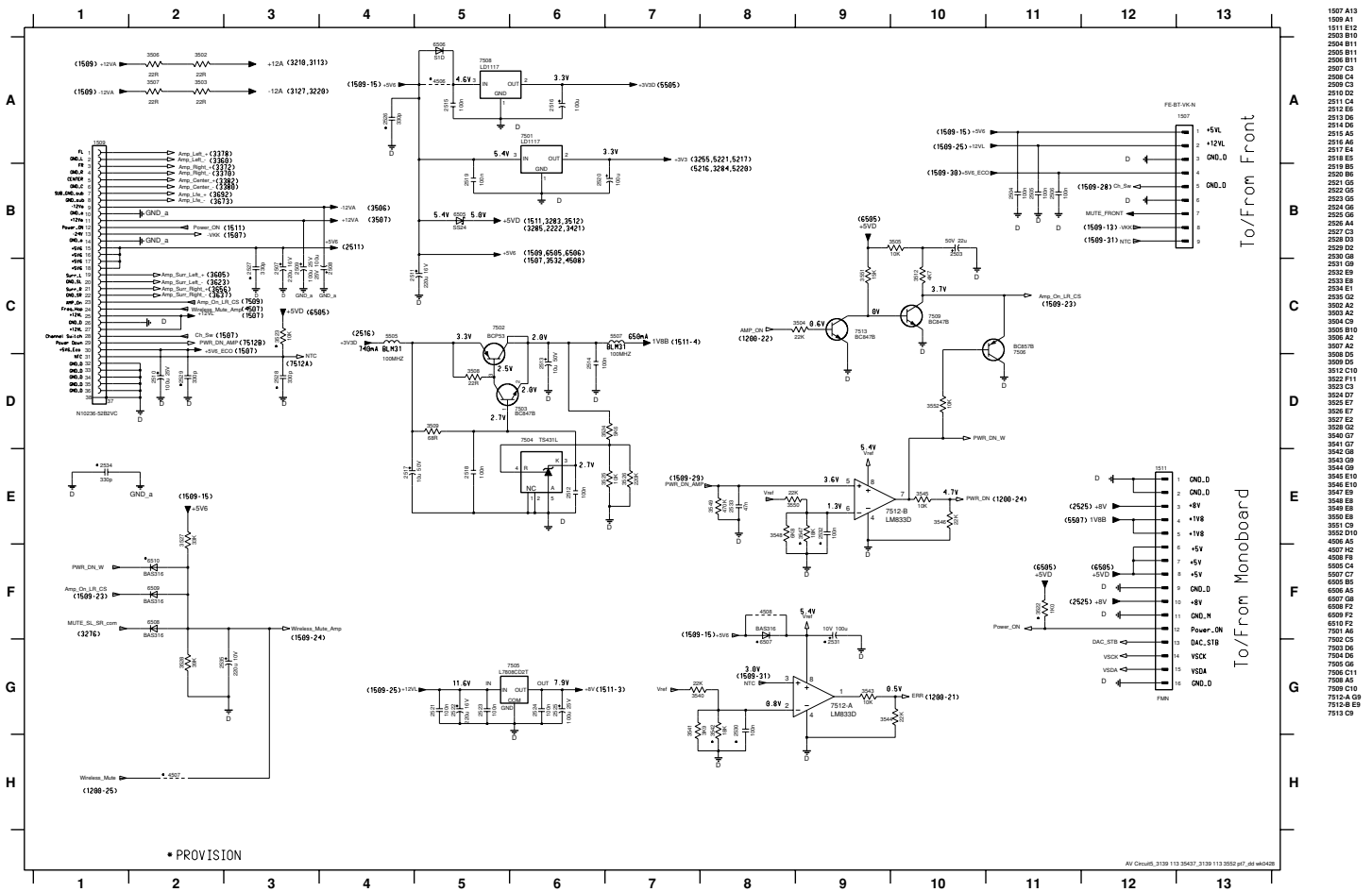
•PROVISION

AV Circuit 3108 110 05407_3108 110 0000.pdf, av_wd008

AV BOARD - CIRCUIT DIAGRAM (PART 4)



AV BOARD - CIRCUIT DIAGRAM (PART 5)

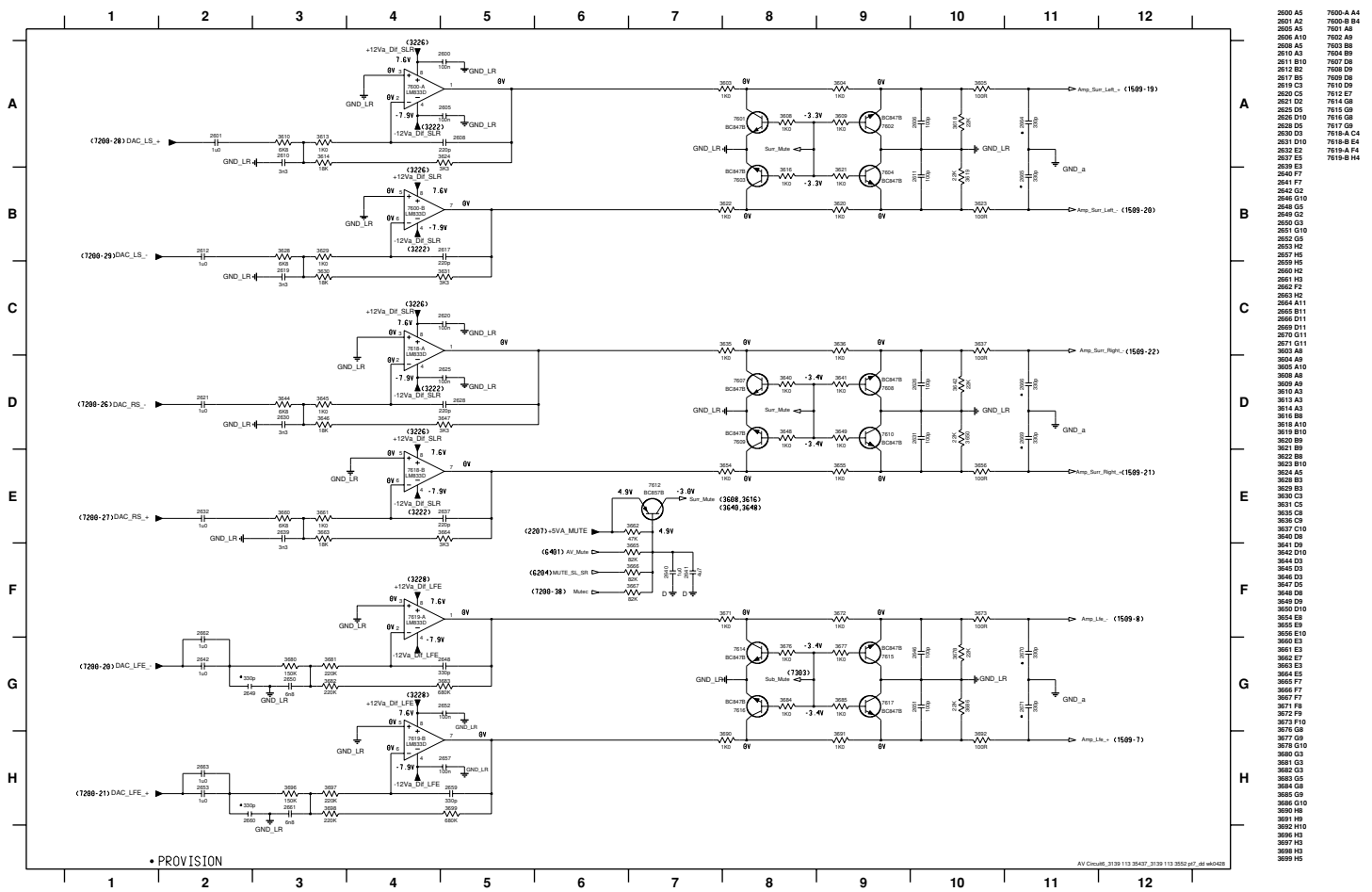


- 1507 A13
- 1509 A1
- 1511 B12
- 2503 B10
- 2504 B11
- 2505 B11
- 2506 B11
- 2507 C3
- 2508 C4
- 2509 C3
- 2510 B2
- 2511 C4
- 2512 E6
- 2513 B6
- 2514 D6
- 2515 A6
- 2516 A6
- 2517 E4
- 2518 E5
- 2519 B5
- 2520 B6
- 2521 E6
- 2522 D5
- 2523 D5
- 2524 G6
- 2525 G6
- 2526 A4
- 2527 C3
- 2528 C3
- 2529 D2
- 2530 G8
- 2531 G9
- 2532 E9
- 2533 E8
- 2534 E1
- 2535 G2
- 3502 A2
- 3503 A2
- 3504 C9
- 3505 B10
- 3506 A2
- 3507 A2
- 3508 D5
- 3509 D5
- 3512 C10
- 3512 F11
- 3523 C3
- 3524 E7
- 3525 E7
- 3526 E7
- 3527 E2
- 3528 G2
- 3529 C7
- 3541 C7
- 3542 G9
- 3543 G9
- 3544 G9
- 3545 E10
- 3547 E9
- 3548 E8
- 3549 E8
- 3550 E8
- 3551 C9
- 3552 D10
- 4506 A5
- 4507 H2
- 4508 F8
- 5505 C4
- 5507 C7
- 5508 B5
- 5509 A5
- 5509 B5
- 5509 F2
- 5509 F2
- 6509 F2
- 6510 F2
- 7501 A6
- 7502 C5
- 7503 G6
- 7504 D6
- 7505 G6
- 7506 C11
- 7509 A5
- 7509 C10
- 7512 A9
- 7512 B9
- 7512 C9

* PROVISION

AV Circuit_3739 110 35497_3139 110 35550_67_68 v64248

AV BOARD - CIRCUIT DIAGRAM (PART 6)



* PROVISION

AV Circuit_3139-110-3647_3139-110-3652.pdf_46428

- 2600 A5
- 2601 A2
- 2602 A3
- 2603 A5
- 2604 A10
- 2605 A5
- 2610 A3
- 2611 B10
- 2612 B2
- 2617 B5
- 2619 C3
- 2620 C5
- 2621 D2
- 2622 D5
- 2623 D5
- 2624 D10
- 2625 D5
- 2626 D10
- 2627 D5
- 2628 D5
- 2629 D10
- 2630 D5
- 2631 D10
- 2632 E2
- 2637 E5
- 2640 F7
- 2642 G2
- 2643 G10
- 2648 G5
- 2649 G5
- 2650 G3
- 2651 G10
- 2652 G5
- 2653 H2
- 2659 H5
- 2660 H2
- 2661 H3
- 2662 F2
- 2663 H2
- 2665 A11
- 2666 B11
- 2669 D11
- 2670 G11
- 2671 G11
- 2683 A8
- 2684 A8
- 2689 A8
- 2693 A3
- 2694 B8
- 2695 B10
- 2696 B8
- 2697 B8
- 2698 B10
- 2699 B8
- 2701 A10
- 2702 B10
- 2703 B8
- 2704 B10
- 2705 B8
- 2706 B10
- 2707 B8
- 2708 B10
- 2709 B8
- 2710 B10
- 2711 B8
- 2712 B10
- 2713 B8
- 2714 B10
- 2715 B8
- 2716 B10
- 2717 B8
- 2718 B10
- 2719 B8
- 2720 B10
- 2721 B8
- 2722 B10
- 2723 B8
- 2724 B10
- 2725 B8
- 2726 B10
- 2727 B8
- 2728 B10
- 2729 B8
- 2730 B10
- 2731 B8
- 2732 B10
- 2733 B8
- 2734 B10
- 2735 B8
- 2736 B10
- 2737 B8
- 2738 B10
- 2739 B8
- 2740 B10
- 2741 B8
- 2742 B10
- 2743 B8
- 2744 B10
- 2745 B8
- 2746 B10
- 2747 B8
- 2748 B10
- 2749 B8
- 2750 B10
- 2751 B8
- 2752 B10
- 2753 B8
- 2754 B10
- 2755 B8
- 2756 B10
- 2757 B8
- 2758 B10
- 2759 B8
- 2760 B10
- 2761 B8
- 2762 B10
- 2763 B8
- 2764 B10
- 2765 B8
- 2766 B10
- 2767 B8
- 2768 B10
- 2769 B8
- 2770 B10
- 2771 B8
- 2772 B10
- 2773 B8
- 2774 B10
- 2775 B8
- 2776 B10
- 2777 B8
- 2778 B10
- 2779 B8
- 2780 B10
- 2781 B8
- 2782 B10
- 2783 B8
- 2784 B10
- 2785 B8
- 2786 B10
- 2787 B8
- 2788 B10
- 2789 B8
- 2790 B10
- 2791 B8
- 2792 B10
- 2793 B8
- 2794 B10
- 2795 B8
- 2796 B10
- 2797 B8
- 2798 B10
- 2799 B8
- 2800 B10
- 2801 B8
- 2802 B10
- 2803 B8
- 2804 B10
- 2805 B8
- 2806 B10
- 2807 B8
- 2808 B10
- 2809 B8
- 2810 B10
- 2811 B8
- 2812 B10
- 2813 B8
- 2814 B10
- 2815 B8
- 2816 B10
- 2817 B8
- 2818 B10
- 2819 B8
- 2820 B10
- 2821 B8
- 2822 B10
- 2823 B8
- 2824 B10
- 2825 B8
- 2826 B10
- 2827 B8
- 2828 B10
- 2829 B8
- 2830 B10
- 2831 B8
- 2832 B10
- 2833 B8
- 2834 B10
- 2835 B8
- 2836 B10
- 2837 B8
- 2838 B10
- 2839 B8
- 2840 B10
- 2841 B8
- 2842 B10
- 2843 B8
- 2844 B10
- 2845 B8
- 2846 B10
- 2847 B8
- 2848 B10
- 2849 B8
- 2850 B10
- 2851 B8
- 2852 B10
- 2853 B8
- 2854 B10
- 2855 B8
- 2856 B10
- 2857 B8
- 2858 B10
- 2859 B8
- 2860 B10
- 2861 B8
- 2862 B10
- 2863 B8
- 2864 B10
- 2865 B8
- 2866 B10
- 2867 B8
- 2868 B10
- 2869 B8
- 2870 B10
- 2871 B8
- 2872 B10
- 2873 B8
- 2874 B10
- 2875 B8
- 2876 B10
- 2877 B8
- 2878 B10
- 2879 B8
- 2880 B10
- 2881 B8
- 2882 B10
- 2883 B8
- 2884 B10
- 2885 B8
- 2886 B10
- 2887 B8
- 2888 B10
- 2889 B8
- 2890 B10
- 2891 B8
- 2892 B10
- 2893 B8
- 2894 B10
- 2895 B8
- 2896 B10
- 2897 B8
- 2898 B10
- 2899 B8
- 2900 B10
- 2901 B8
- 2902 B10
- 2903 B8
- 2904 B10
- 2905 B8
- 2906 B10
- 2907 B8
- 2908 B10
- 2909 B8
- 2910 B10
- 2911 B8
- 2912 B10
- 2913 B8
- 2914 B10
- 2915 B8
- 2916 B10
- 2917 B8
- 2918 B10
- 2919 B8
- 2920 B10
- 2921 B8
- 2922 B10
- 2923 B8
- 2924 B10
- 2925 B8
- 2926 B10
- 2927 B8
- 2928 B10
- 2929 B8
- 2930 B10
- 2931 B8
- 2932 B10
- 2933 B8
- 2934 B10
- 2935 B8
- 2936 B10
- 2937 B8
- 2938 B10
- 2939 B8
- 2940 B10
- 2941 B8
- 2942 B10
- 2943 B8
- 2944 B10
- 2945 B8
- 2946 B10
- 2947 B8
- 2948 B10
- 2949 B8
- 2950 B10
- 2951 B8
- 2952 B10
- 2953 B8
- 2954 B10
- 2955 B8
- 2956 B10
- 2957 B8
- 2958 B10
- 2959 B8
- 2960 B10
- 2961 B8
- 2962 B10
- 2963 B8
- 2964 B10
- 2965 B8
- 2966 B10
- 2967 B8
- 2968 B10
- 2969 B8
- 2970 B10
- 2971 B8
- 2972 B10
- 2973 B8
- 2974 B10
- 2975 B8
- 2976 B10
- 2977 B8
- 2978 B10
- 2979 B8
- 2980 B10
- 2981 B8
- 2982 B10
- 2983 B8
- 2984 B10
- 2985 B8
- 2986 B10
- 2987 B8
- 2988 B10
- 2989 B8
- 2990 B10
- 2991 B8
- 2992 B10
- 2993 B8
- 2994 B10
- 2995 B8
- 2996 B10
- 2997 B8
- 2998 B10
- 2999 B8
- 3000 B10

ELECTRICAL PARTS LIST - AV BOARD

MISCELLANEOUS

1100	4822 267 11039	Flex Connector 11P
1103	2422 026 05462	Socket Cinch 4P (Aux-in/Line-out)
1200	2422 025 17433	Flex Connector 30P
1200	2422 025 17509	Flex Connector 30P
1400	2422 025 18315	Socket SCART 21P
1400	2422 025 12352	Socket SCART 21P
1401	2422 025 17433	Flex Connector 30P
1401	2422 025 17509	Flex Connector 30P
1402	3139 241 21102	EMC SPRING
1403	3139 241 21102	EMC SPRING
1407	2422 026 05531	Socket Cinch 1P (Pr)
1408	2422 026 05529	Socket Cinch 2P (Y/Pb)
1409	2422 033 00468	Socket 2P (Video/S-Video)
1411	2422 026 05427	Socket Cinch 1P (Digital In)
1507	2422 025 14518	Flex Connector 9P
1509	2422 025 05561	Socket MDR 36P
1509	2422 025 18466	Socket MDR 36P
1511	2422 025 16525	Flex Connector 16P

COILS & FILTERS

5216	2422 549 43062	FXD IND 0603 100MHZ 600R
5217	2422 549 43062	FXD IND 0603 100MHZ 600R
5220	2422 549 43062	FXD IND 0603 100MHZ 600R
5221	2422 549 43062	FXD IND 0603 100MHZ 600R
5222	2422 549 43062	FXD IND 0603 100MHZ 600R
5223	2422 549 43062	FXD IND 0603 100MHZ 600R
5231	4822 242 11033	RES XTL 4.332MHZ
5400	3198 018 41880	FXD IND SM 1210 1U8 5%
5401	3198 018 41880	FXD IND SM 1210 1U8 5%
5402	3198 018 41880	FXD IND SM 1210 1U8 5%
5403	3198 018 41880	FXD IND SM 1210 1U8 5%
5404	3198 018 41880	FXD IND SM 1210 1U8 5%
5405	3198 018 41880	FXD IND SM 1210 1U8 5%
5406	3198 018 90050	FXD IND 0603 100MHz 1K
5407	3198 018 90050	FXD IND 0603 100MHz 1K
5408	3198 018 90050	FXD IND 0603 100MHz 1K
5409	3198 018 90050	FXD IND 0603 100MHz 1K
5505	4822 157 11717	IND FXD 1206 EMI 100MHz 50R
5507	4822 157 11717	IND FXD 1206 EMI 100MHz 50R

DIODES

6101	4822 130 11551	BZX384-C10
6201	3198 020 55680	BZX384-C5V6
6202	4822 130 11397	BAS316
6203	4822 130 11397	BAS316
6204	4822 130 11397	BAS316
6205	4822 130 11397	BAS316
6206	4822 130 11397	BAS316
6208	4822 130 11397	BAS316
6209	4822 130 11397	BAS316
6210	3198 020 55680	BZX384-C5V6
6401	4822 130 11397	BAS316

6406	9340 548 67115	BZX384-C22
6407	4822 130 11522	BZX384-C15
6408	4822 130 11522	BZX384-C15
6409	4822 130 11522	BZX384-C15
6417	4822 130 11522	BZX384-C15
6505	3198 010 10720	DIO REC SS24
6506	9322 128 69685	DIO REC SM S1D

TRANSISTORS & INTEGRATED CIRCUITS

7100	5322 130 44647	BC368
7101	5322 130 60159	BC847B
7102	5322 130 60159	BC847B
7103	4822 130 60373	BC857B
7104	4822 209 30095	LM833D
7105	5322 209 11102	HEF4052BT
7200	9322 203 36668	IC SM CS42418-CQ
7201	9352 686 05118	IC SM SAA6581T
7202	4822 130 40959	BC547B
7210	4822 130 60373	BC857B
7213	4822 130 40959	BC547B
7300	4822 209 30095	LM833D
7301	4822 209 30095	LM833D
7302	4822 209 30095	LM833D
7303	4822 130 60373	BC857B
7305	4822 130 60373	BC857B
7306	5322 130 60159	BC847B
7307	5322 130 60159	BC847B
7308	5322 130 60159	BC847B
7309	5322 130 60159	BC847B
7310	5322 130 60159	BC847B
7311	5322 130 60159	BC847B
7312	5322 130 60159	BC847B
7313	5322 130 60159	BC847B
7322	5322 130 60159	BC847B
7323	5322 130 60159	BC847B
7324	5322 130 60159	BC847B
7325	5322 130 60159	BC847B
7400	4822 130 60373	BC857B
7401	4822 130 60373	BC857B
7402	4822 130 60373	BC857B
7403	4822 130 60373	BC857B
7404	4822 130 60373	BC857B
7405	4822 130 60373	BC857B
7411	5322 130 60159	BC847B
7416	4822 130 60373	BC857B
7417	5322 130 60159	BC847B
7418	5322 130 60159	BC847B
7420	4822 130 60373	BC857B
7421	5322 130 60159	BC847B
7422	4822 130 60373	BC857B
7423	5322 130 60159	BC847B
7425	4822 130 60373	BC857B

ELECTRICAL PARTS LIST - AV BOARD

7426	4822 130 60373	BC857B
7501	4822 209 17398	LD1117DT33
7501	4822 209 17398	LD1117DT33
7502	5322 130 62804	BCP53
7503	5322 130 60159	BC847B
7504	9322 146 75685	IC SM TS4311L
7505	9322 199 24668	IC SM L7808CD2T
7506	4822 130 60373	BC857B
7508	4822 209 17398	LD1117DT33
7508	4822 209 17398	LD1117DT33
7509	5322 130 60159	BC847B
7512	4822 209 30095	LM833D
7513	5322 130 60159	BC847B
7600	4822 209 30095	LM833D
7601	5322 130 60159	BC847B
7602	5322 130 60159	BC847B
7603	5322 130 60159	BC847B
7604	5322 130 60159	BC847B
7607	5322 130 60159	BC847B
7608	5322 130 60159	BC847B
7609	5322 130 60159	BC847B
7610	5322 130 60159	BC847B
7612	4822 130 60373	BC857B
7614	5322 130 60159	BC847B
7615	5322 130 60159	BC847B
7616	5322 130 60159	BC847B
7617	5322 130 60159	BC847B
7618	4822 209 30095	LM833D
7619	4822 209 30095	LM833D

Note : Only the parts mentioned in this list are normal service spare parts.

TECHNICAL REMARKS

BOX SPK ASSY SW8300LX

(Subwoofer & Module PWR308)

Mains pt5 / Reg pt6 / Amp UCD pt4 / Spk pt5 - 20 July 04

TABLE OF CONTENTS

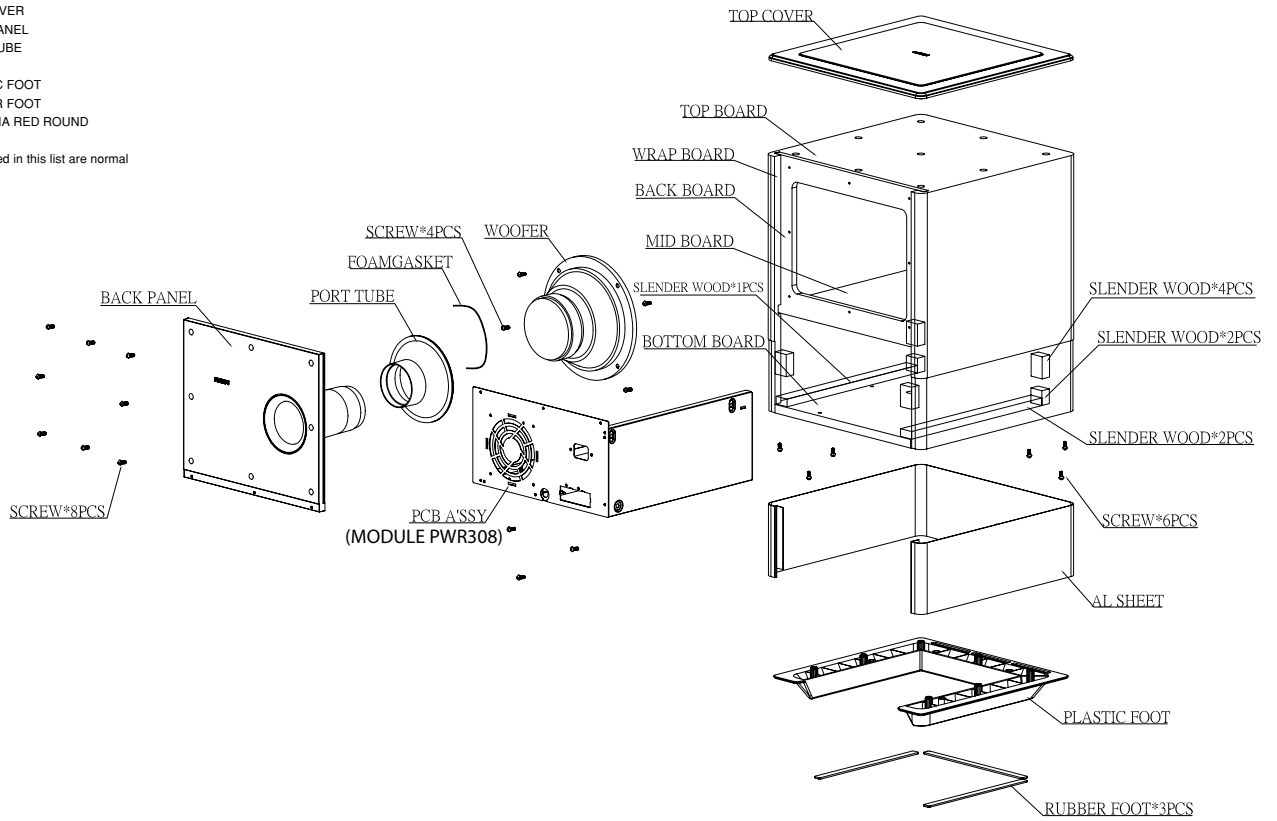
Box Spk Assy SW8300LX	
Exploded View & parts list	8-2
Module PWR308	
Exploded View & parts list	8-3
Wiring Diagram	8-4
Regulator Board - Component Layout	8-5
Regulator Board - Chip Layout	8-6
Regulator Board - Circuit Diagram	8-7
Amplifier UCD Board - Top View Layout	8-8
Amplifier UCD Board - Bottom View Layout	8-9
Amplifier UCD Board - Circuit Diagram (Part 1)	8-10
Amplifier UCD Board - Circuit Diagram (Part 2)	8-11
Mains Board - Component Layout	8-12
Mains Board - Circuit Diagram	8-13
Mains Socket Board - Component Layout	8-14
Mains Socket Board - Circuit Diagram	8-14
Speaker Board - Component Layout	8-14
Speaker Board - Circuit Diagram	8-14
Electrical parts list	8-15

EXPLODED VIEW - BOX SPK ASSY SW8300LX (SUBWOOFER & MODULE PWR308)

PARTS LIST - BOX SPK ASSY SW8300LX

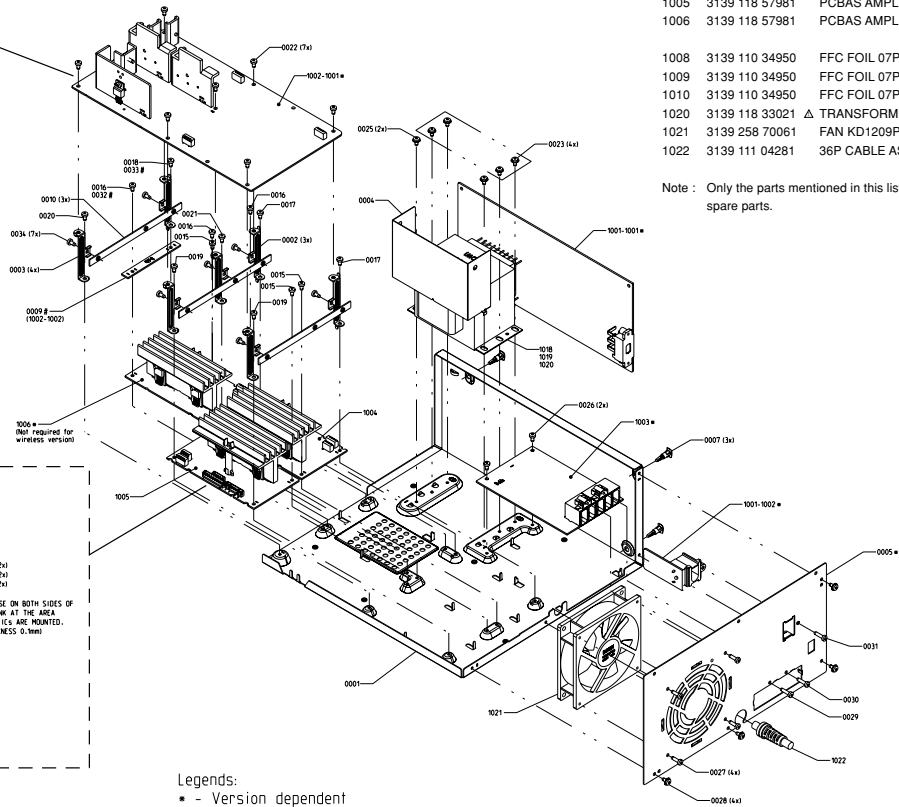
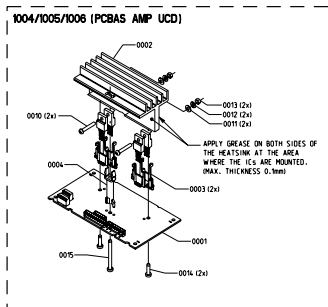
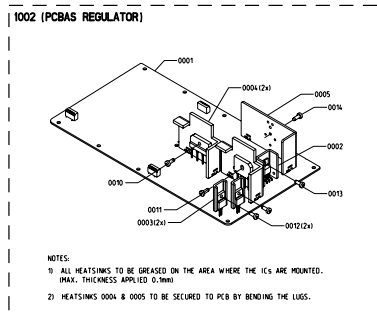
3139 119 02541	BOX SPK ASSY SW8300LX/01
9965 000 25359	WF 6.5" 150W 4R (16L80EHC3495)
9965 000 25360	TOP COVER
9965 000 25361	BACK PANEL
9965 000 25362	PORT TUBE
9965 000 25363	PLASTIC FOOT
9965 000 25364	RUBBER FOOT
9965 000 25365	LED 3 DIA RED ROUND

Note : Only the parts mentioned in this list are normal service spare parts.



Exploded View_3139 119 02541_dd wk0429

EXPLODED VIEW - MODULE PWR308



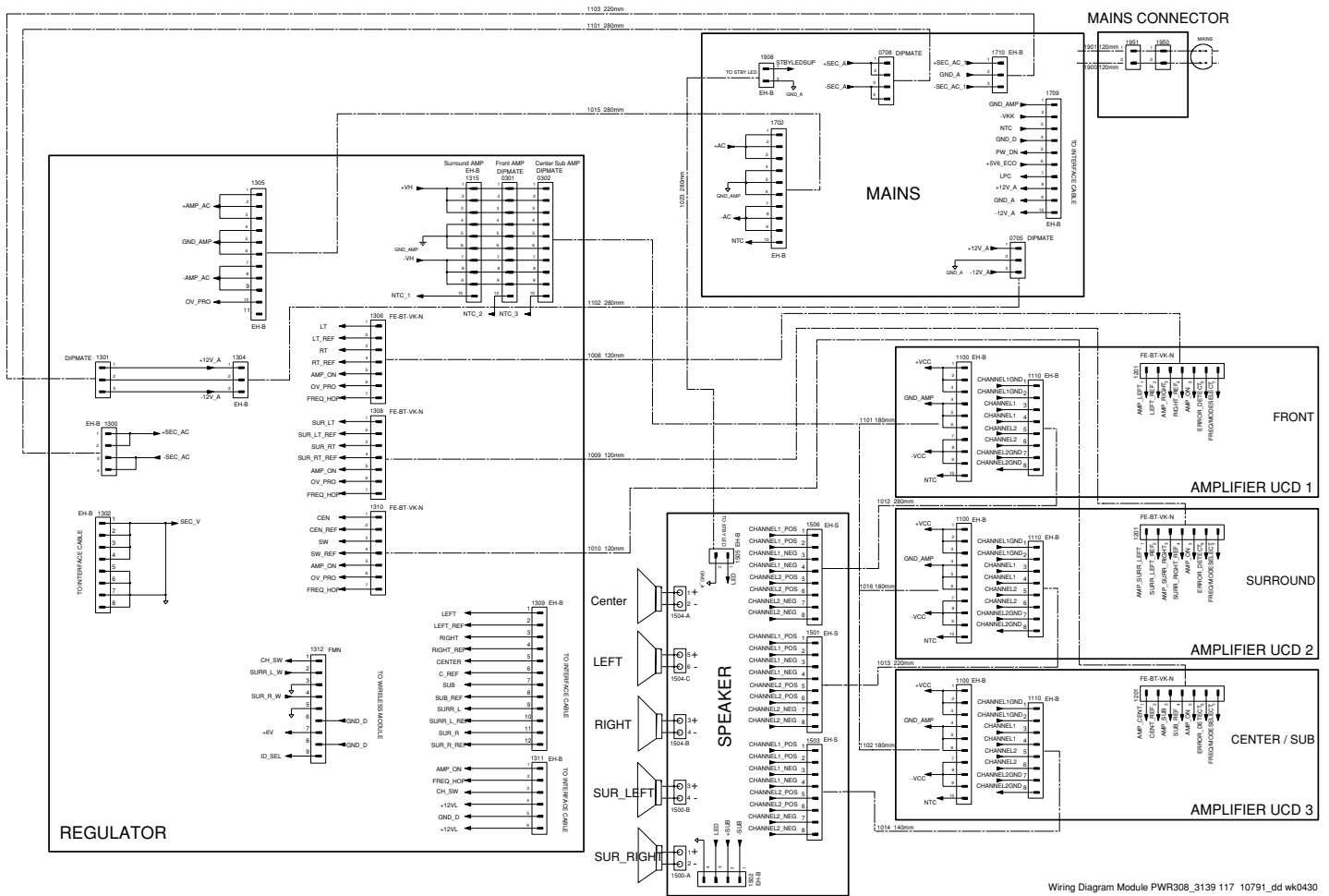
PARTS LIST - MODULE PWR308

0007	3139 240 40061	SPACER - 8MM
1001	3139 118 57951	PCBAS MAINS & MAINS SOCKET
1002	3139 118 57921	PCBAS REGULATOR
1003	3139 118 57931	PCBAS SPEAKER
1004	3139 118 57981	PCBAS AMPLIFIER UCD
1005	3139 118 57981	PCBAS AMPLIFIER UCD
1006	3139 118 57981	PCBAS AMPLIFIER UCD
1008	3139 110 34950	FFC FOIL 07P/120/07P AD
1009	3139 110 34950	FFC FOIL 07P/120/07P AD
1010	3139 110 34950	FFC FOIL 07P/120/07P AD
1020	3139 118 33021	△ TRANSFORMER MAINS
1021	3139 258 70061	FAN KD1209PTS3
1022	3139 111 04281	36P CABLE ASSY

Note : Only the parts mentioned in this list are normal service spare parts.

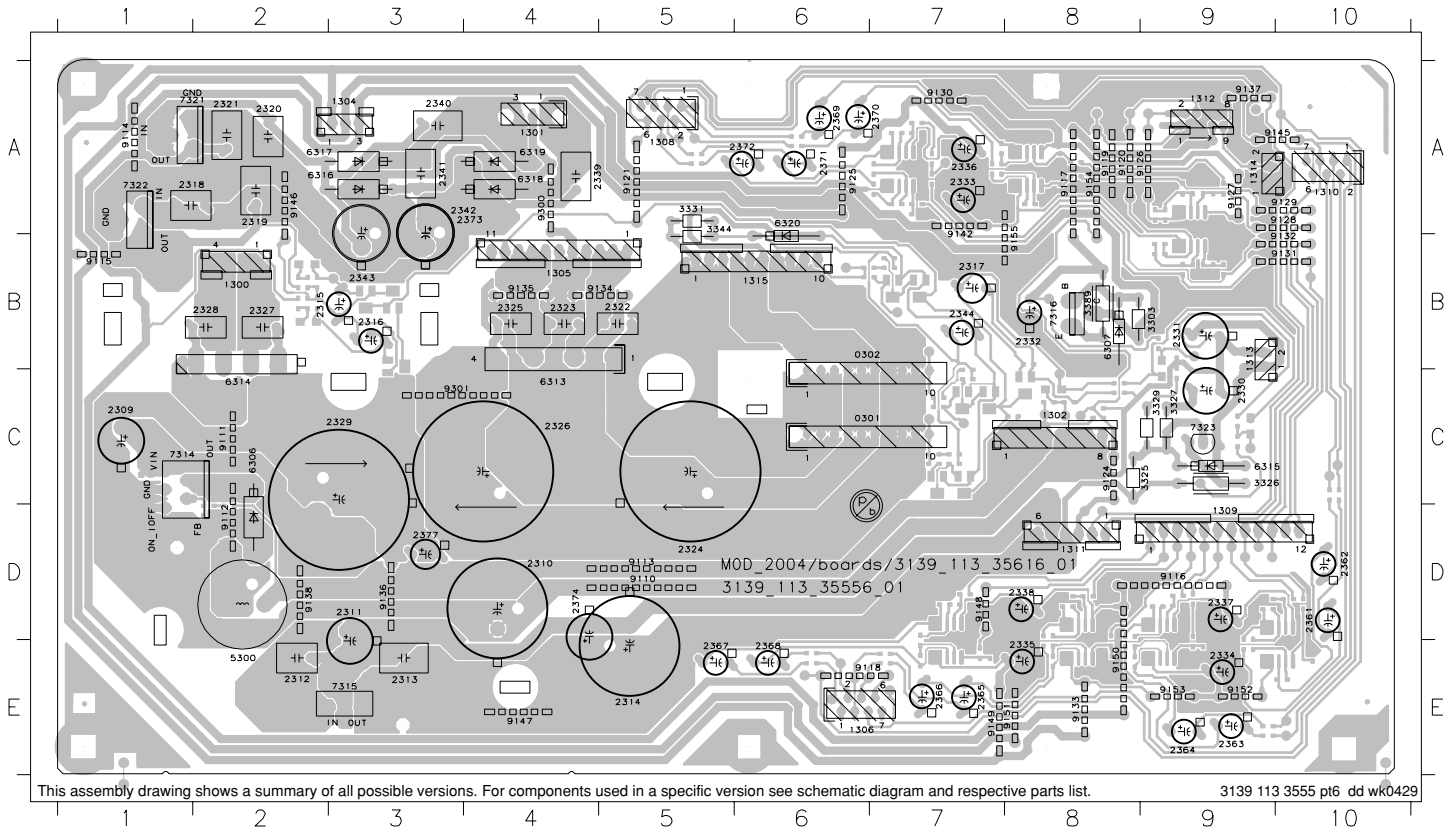
Legends:
 ■ - Version dependent
 # - For wireless version only

WIRING DIAGRAM - MODULE PWR308



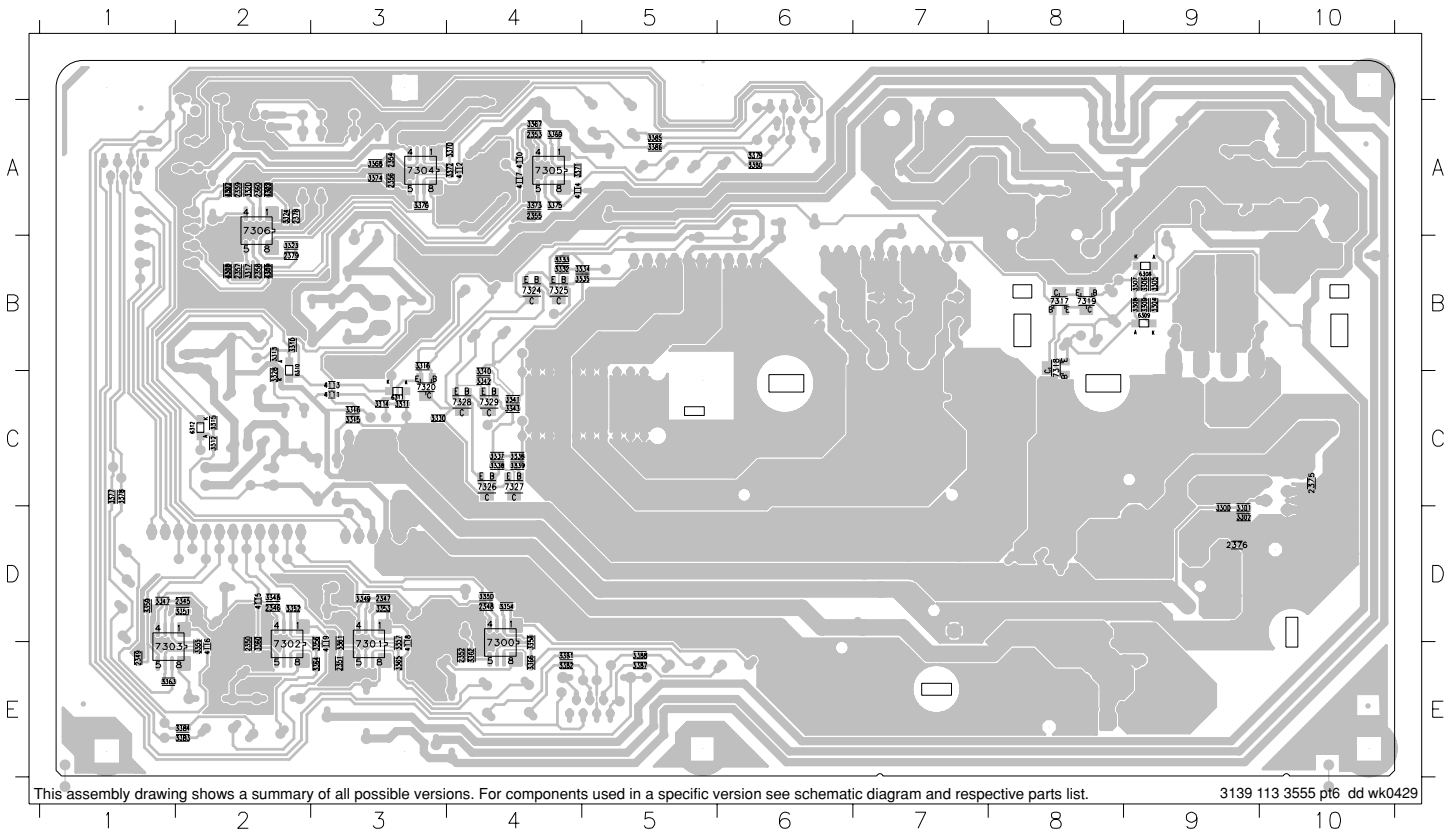
REGULATOR BOARD - COMPONENT LAYOUT

0301 C6	1308 A5	2309 C1	2317 B7	2325 B4	2333 A7	2341 A3	2365 E7	2373 A4	3331 A5	6315 C9	7316 B8	9114 A1	9124 C8	9132 B10	9145 A10	9153 E9
0302 B6	1309 D9	2310 D4	2318 A1	2326 C4	2334 E9	2342 A3	2366 E7	2374 D4	3344 A5	6316 A2	7321 A1	9115 B1	9125 A6	9133 E8	9146 A2	9154 A8
1300 B2	1310 A10	2311 D3	2319 A2	2327 B2	2335 E8	2343 B5	2367 E5	2377 D3	3389 B8	6317 A2	7322 A1	9116 D9	9126 A8	9134 B5	9147 E4	9155 B8
1301 A4	1311 D8	2312 E2	2320 A2	2328 B2	2336 A7	2344 B7	2368 E6	2378 D3	3303 B9	5300 E2	6318 A4	9117 A8	9127 A9	9135 B4	9148 D7	9300 A4
1302 C8	1312 A9	2313 E3	2321 A2	2329 C3	2337 D9	2361 D10	2369 A6	3325 C9	6306 C2	6319 A4	9110 D5	9118 E6	9128 A10	9136 D3	9149 E7	9301 C3
1304 A3	1313 B9	2314 E5	2322 B5	2330 C9	2338 D8	2362 D10	2370 A7	3326 C9	6307 B8	6320 A6	9111 C2	9119 A8	9129 A10	9137 A9	9150 E8	
1305 B4	1314 A9	2315 B2	2323 B4	2331 B9	2339 A4	2363 E9	2371 A6	3327 C9	6313 C4	7314 C1	9112 D2	9120 A8	9130 A7	9138 D2	9151 E8	
1306 E6	1315 B6	2316 B3	2324 D5	2332 B8	2340 A3	2364 E9	2372 A6	3329 C9	6314 C2	7315 E3	9113 D5	9121 A5	9131 B10	9142 B7	9152 E9	

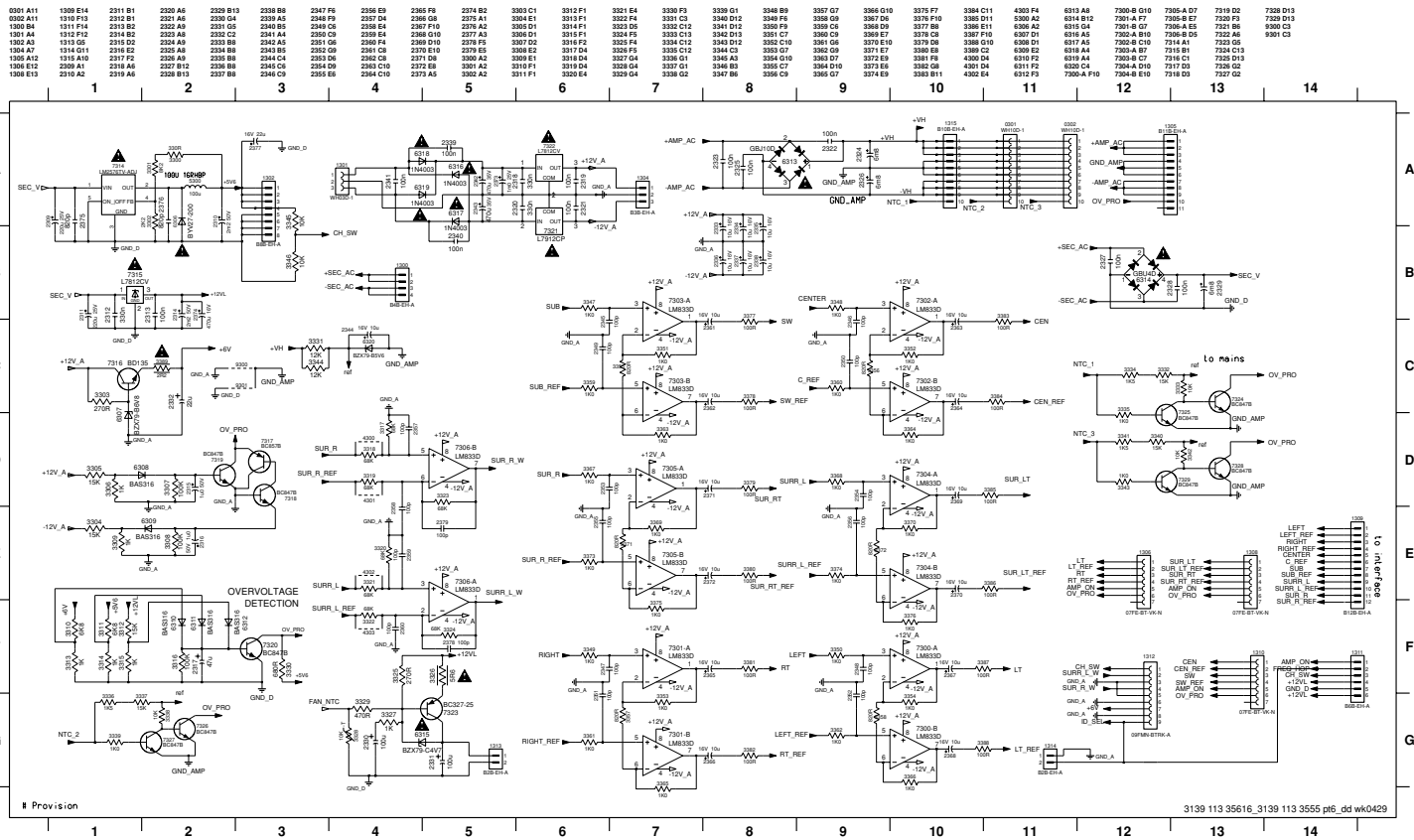


REGULATOR BOARD - CHIP LAYOUT

2345 D2	2354 A3	2378 A2	3308 B9	3317 B2	3330 C3	3340 C4	3350 D4	3359 D1	3368 A3	3377 C1	3386 A5	4116 E2	6309 B9	7305 A4	7327 C4
2346 D2	2355 A4	2379 B2	3309 B9	3318 B2	3332 B4	3341 C4	3351 D2	3360 E2	3369 A4	3378 C1	3387 E5	4117 A4	6310 B2	7306 A2	7328 C4
2347 D3	2356 A3	3300 D9	3310 B2	3319 B2	3333 B4	3342 C4	3352 D2	3361 E3	3370 A4	3379 A6	3388 E5	4118 E3	6311 C3	7317 B8	7329 C4
2348 D4	2357 B2	3301 D9	3311 C3	3320 A2	3334 B5	3343 C4	3353 D3	3362 E4	3371 A4	3380 A6	4110 A4	4119 C3	6312 C2	7318 B8	
2349 E1	2358 B2	3302 D9	3312 C2	3321 A2	3335 B5	3345 C3	3354 D4	3363 E1	3372 A4	3381 E4	4111 C3	4300 B2	7300 E4	7319 B8	
2350 E2	2359 A2	3304 B9	3313 B2	3322 A2	3336 C4	3346 C3	3355 E2	3364 E3	3373 A4	3382 E4	4112 A4	4301 B2	7301 E3	7320 C3	
2351 E3	2360 A2	3305 B9	3314 C3	3323 B2	3337 C4	3347 D1	3356 E3	3365 E3	3374 A3	3383 E2	4113 C3	4302 A2	7302 E2	7324 B4	
2352 E4	2375 C10	3306 B9	3315 C2	3324 A2	3338 C4	3348 D2	3357 E3	3366 E4	3375 A4	3384 E2	4114 A4	4303 A2	7303 E1	7325 B4	
2353 A4	2376 D9	3307 B9	3316 B3	3328 C2	3339 C4	3349 D3	3358 E4	3367 A4	3376 A3	3385 A5	4115 D2	6308 B9	7304 A3	7326 C4	

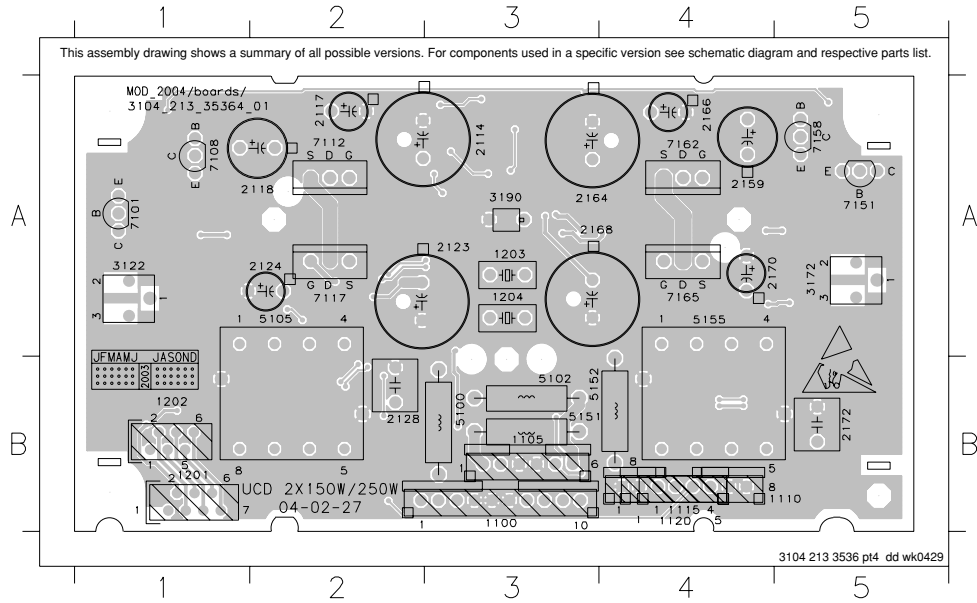


REGULATOR BOARD - CIRCUIT DIAGRAM



AMPLIFIER UCD BOARD - TOP VIEW LAYOUT

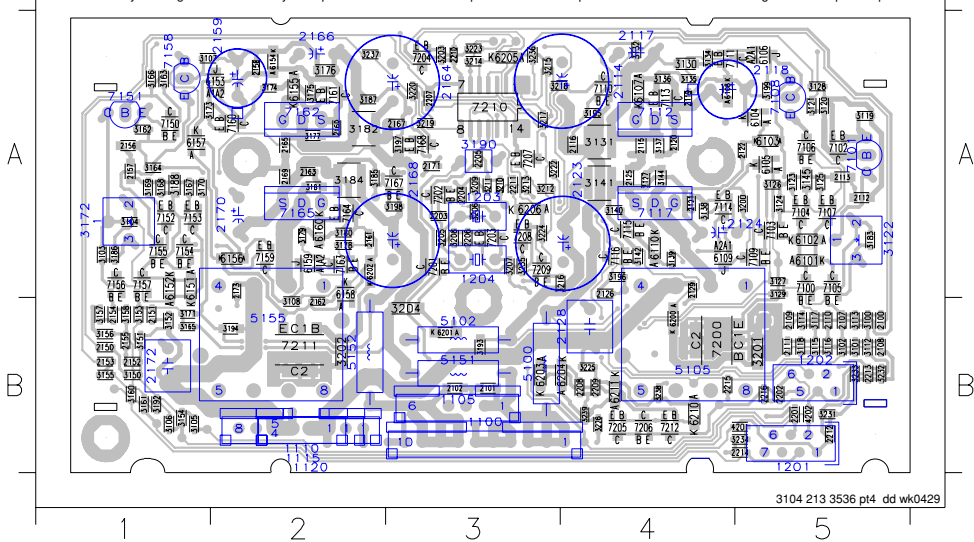
1100 B3	1201 B1	2117 A2	2159 A4	2172 B5	5102 B3	7101 A1	7158 A5
1105 B3	1202 B1	2118 A2	2164 A3	3122 A1	5105 B2	7108 A1	7162 A4
1110 B4	1203 A3	2123 A2	2166 A4	3172 A5	5151 B3	7112 A2	7165 A4
1115 B4	1204 A3	2124 A2	2168 A3	3190 A3	5152 B4	7117 A2	
1120 B4	2114 A2	2128 B2	2170 A4	5100 B3	5155 B4	7151 A5	



AMPLIFIER UCD BOARD - BOTTOM VIEW LAYOUT

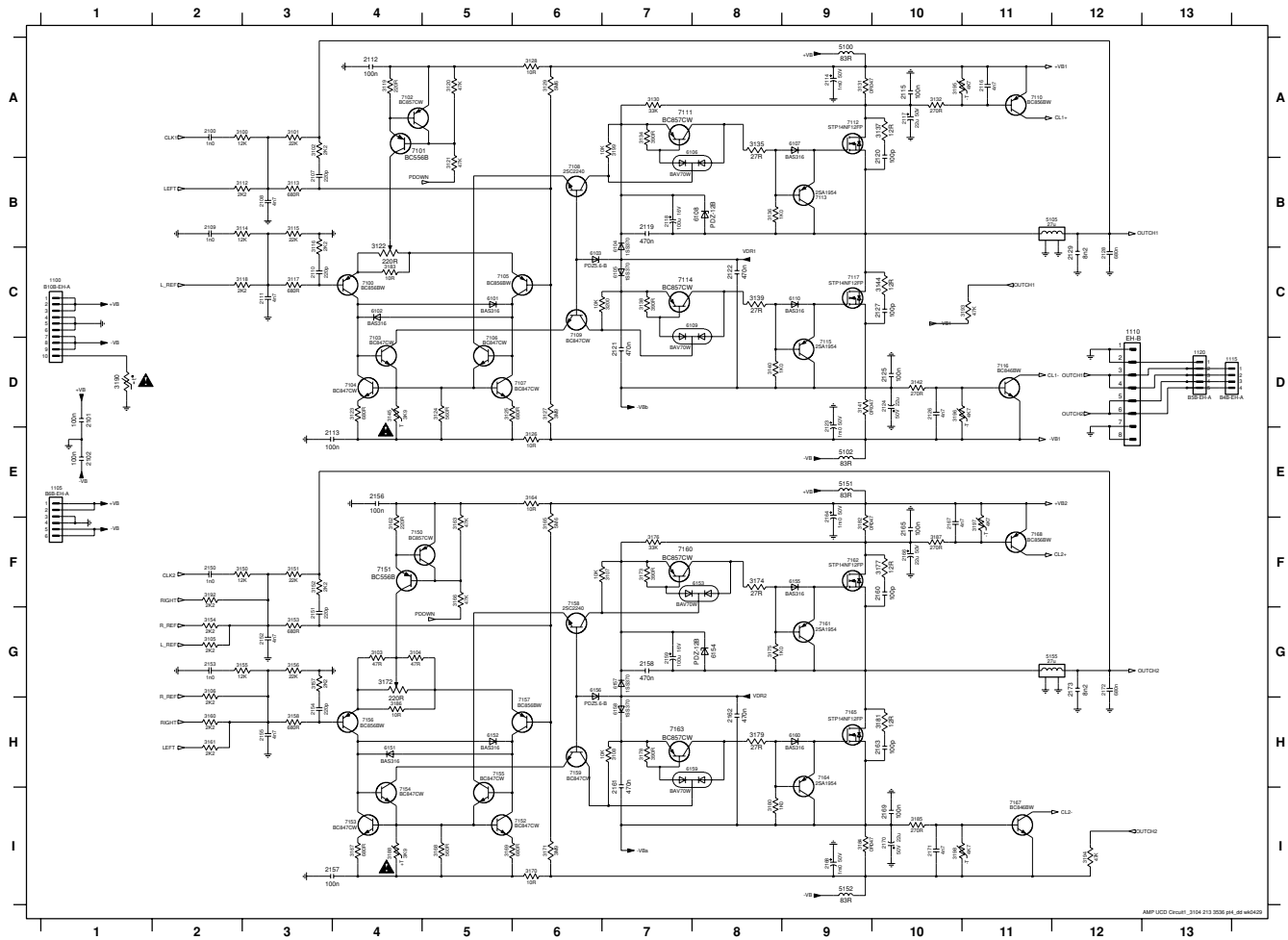
2100 B5	2122 A5	2161 A2	2208 B4	3106 B1	3125 A5	3141 A4	3162 A1	3178 A2	3196 A4	6154 A2	7210 A3	1100 B3
2101 B3	2125 A4	2162 B2	2209 B4	3107 A1	3126 A5	3142 A4	3163 A1	3179 A2	3197 A3	6155 A2	7211 B2	1105 B3
2102 B3	2126 A4	2163 A2	2210 A3	3108 B2	3127 A5	3144 A4	3164 A1	3180 A2	3198 A3	6156 A2	7212 B4	1110 B2
2107 B5	2127 A4	2165 A2	2211 A3	3112 B5	3128 A5	3145 A5	3165 B1	3181 A2	3199 A5	6157 A1	F100 B3	1115 B2
2108 B5	2129 A4	2167 A3	2212 B5	3113 B5	3129 A5	3150 B1	3166 A1	3182 A2	3200 A5	6158 A2	F101 B3	1120 B2
2109 B5	2150 B1	2169 A2	2213 B5	3114 B5	3130 A4	3151 B1	3167 A1	3183 A5	3201 B5	6159 A2	F102 B3	1201 B5
2110 B5	2151 B1	2171 A3	2214 B5	3115 B5	3131 A4	3152 B1	3168 A1	3184 A2	3202 B2	6160 A2	F103 B2	1202 B5
2111 B5	2152 B1	2173 A2	2215 B4	3116 B5	3132 A4	3153 B1	3169 A1	3185 A2	3203 A3	6200 B4	F104 B2	1203 A3
2112 A5	2153 B1	2201 B5	2216 B5	3117 B5	3134 A4	3154 B1	3170 A1	3186 A1	3204 B3	6201 B3	F105 B2	1204 A3
2113 A5	2154 B1	2202 B5	3100 B5	3118 B5	3135 A4	3155 B1	3171 B1	3187 A2	3205 A3	6202 A2	F106 B3	2114 A4
2115 A4	2155 B1	2203 A3	3101 B5	3119 A5	3136 A4	3156 B1	3173 A1	3188 A1	3206 A3	6203 B3	F107 A4	2117 A4
2116 A4	2156 B1	2204 A3	3102 B5	3120 A5	3137 A4	3157 B1	3174 A2	3192 B1	3207 A3	6204 B4	F108 A4	2118 A4
2119 A4	2157 A1	2205 A3	3103 A1	3121 A5	3138 A4	3158 B1	3175 A2	3193 B3	3208 A3	6205 A3	F109 A2	2123 A4
2120 A4	2158 A2	2206 A3	3104 A1	3123 A5	3139 A4	3160 B1	3176 A2	3194 B2	3209 A3	6206 A3	F110 A3	2124 A4
2121 A4	2160 A2	2207 A3	3105 B1	3124 A5	3140 A4	3161 B1	3177 A2	3195 A4	3210 A3	6210 B4	F111 A5	2128 B4

This assembly drawing shows a summary of all possible versions. For components used in a specific version see schematic diagram and respective parts list.



3196 A4	6154 A2	7210 A3	1100 B3
3197 A3	6155 A2	7211 B2	1105 B3
3198 A3	6156 A2	7212 B4	1110 B2
3199 A5	6157 A1	F100 B3	1115 B2
3200 A5	6158 A2	F101 B3	1120 B2
3201 B5	6159 A2	F102 B3	1201 B5
3202 B2	6160 A2	F103 B2	1202 B5
3203 A3	6200 B4	F104 B2	1203 A3
3204 B3	6201 B3	F105 B2	1204 A3
3205 A3	6202 A2	F106 B3	2114 A4
3206 A3	6203 B3	F107 A4	2117 A4
3207 A3	6204 B4	F108 A4	2118 A4
3208 A3	6205 A3	F109 A2	2123 A4
3209 A3	6206 A3	F110 A3	2124 A4
3210 A3	6210 B4	F111 A5	2128 B4
3211 A3	6211 B4	F112 B2	2159 A2
3212 A3	7100 A5	F113 A3	2164 A3
3213 A3	7102 A5	F114 B1	2166 A2
3214 A3	7103 A5	F115 B1	2168 A3
3215 A3	7104 A5	F116 B1	2170 A2
3216 A4	7105 A5	F117 B1	3172 B1
3217 A3	7106 A5	F118 B4	3122 A5
3218 A3	7107 A5	F119 B4	3172 A1
3219 A3	7109 A5	F120 B4	3190 A3
3220 A3	7110 A4	F121 A3	5100 B3
3222 A3	7111 A4	F122 A3	5102 B3
3223 A3	7113 A4		5105 B4
3224 A3	7114 A4		5151 B3
3225 B4	7115 A4		5152 B2
3226 B4	7116 A4		5155 B2
3231 B5	7150 A1		7101 A5
3232 B5	7152 A1		7108 A5
3233 B5	7153 A1		7112 A4
3234 B5	7154 A1		7117 A4
3235 A3	7155 A1		7151 A1
3236 A3	7156 A1		7158 A1
3237 A2	7157 A1		7162 A2
3238 B4	7159 A2		7165 A2
3239 B4	7160 A2		
4201 B5	7161 A2		
4202 B5	7163 A2		
6101 A5	7164 A2		
6102 A5	7167 A3		
6103 A5	7168 A3		
6104 A5	7200 B4		
6105 A5	7201 A3		
6106 A5	7202 A3		
6107 A4	7203 A3		
6108 A4	7204 A3		
6109 A4	7205 B4		
6110 A4	7206 B4		
6151 A1	7207 A3		
6152 A1	7208 A3		
6153 A2	7209 A3		

AMPLIFIER UCD BOARD - CIRCUIT DIAGRAM (PART 1)

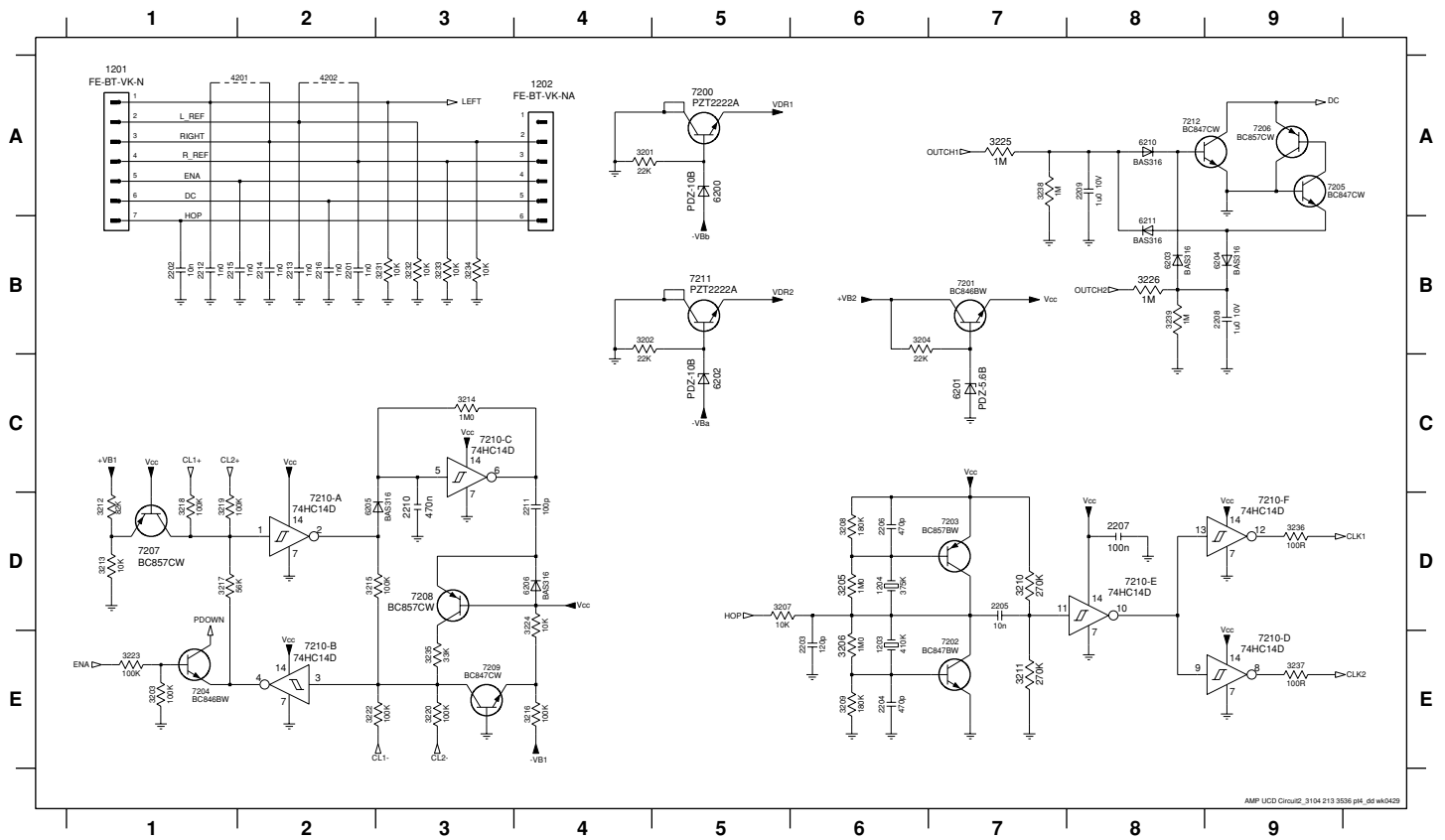


- 1100 C1 3184 B
- 1100 E1 3186 H
- 1110 C12 3189 H
- 1120 D13 3188 A
- 1130 A2 3192 C11
- 2101 D1 3192 P2
- 2107 B3 3194 H2
- 2108 B5 3196 A10
- 2110 C3 3197 F11
- 2111 C3 3198 D9
- 2112 A4 3199 A7
- 2113 C3 3199 C1
- 2114 A9 3199 A9
- 2115 A9 3199 C3
- 2116 A11 3199 B72
- 2117 A9 3199 E2
- 2118 B7 3199 D12
- 2119 C7 3199 C5
- 2121 C7 3199 C4
- 2122 D9 3199 B7
- 2123 D9 3199 C3
- 2124 D9 3199 C3
- 2125 D10 3199 A7
- 2126 D10 3199 C3
- 2127 C10 3199 B7
- 2128 C12 3199 C7
- 2129 C12 3199 C3
- 2130 F2 3199 H4
- 2151 G3 3192 H5
- 2152 G3 3192 H5
- 2153 G2 3192 G8
- 2154 G2 3192 G8
- 2155 H2 3192 G8
- 2156 E4 3197 G7
- 2157 H2 3197 H2
- 2158 G7 3197 H7
- 2159 H7 3197 H7
- 2160 F10 7100 C4
- 2161 H7 7100 H4
- 2162 H8 7102 A4
- 2163 H10 7102 A3
- 2164 E9 7102 D6
- 2165 F10 7102 D4
- 2166 F10 7102 D6
- 2167 F10 7102 D6
- 2168 H8 7108 C1
- 2169 H8 7108 C1
- 2170 H8 7114 A11
- 2171 H8 7111 A8
- 2172 D12 7112 A3
- 2173 D12 7113 B9
- 2174 D12 7114 C3
- 3101 A3 7115 D5
- 3102 A3 7115 D5
- 3103 G4 7117 C9
- 3104 G4 7118 F4
- 3105 G2 7117 F4
- 3106 G2 7118 F4
- 3107 G2 7118 F4
- 3108 H7 7154 A4
- 3112 D2 7155 H2
- 3113 B3 7159 H4
- 3114 E2 7157 H6
- 3115 B3 7158 P6
- 3116 B3 7159 H6
- 3117 C3 7160 P6
- 3118 C2 7161 D9
- 3119 A4 7162 P9
- 3120 A5 7163 P9
- 3121 B4 7164 P9
- 3122 B4 7165 H9
- 3123 D4 7167 F11
- 3124 D5 7168 F11
- 3125 D5 7168 F11
- 3126 E5 3126 E5
- 3127 D6 3127 D6
- 3128 A6 3128 A6
- 3129 A6 3129 A6
- 3130 A7 3130 A7
- 3131 A7 3131 A7
- 3132 A7 3132 A7
- 3133 A7 3133 A7
- 3134 A7 3134 A7
- 3135 A7 3135 A7
- 3136 B8 3136 B8
- 3137 C7 3137 C7
- 3138 C7 3138 C7
- 3139 C8 3139 C8
- 3140 D8 3140 D8
- 3141 D9 3141 D9
- 3142 D10 3142 D10
- 3144 C10 3144 C10
- 3145 D4 3145 D4
- 3146 F2 3146 F2
- 3151 F3 3151 F3
- 3152 F3 3152 F3
- 3153 G2 3153 G2
- 3154 G2 3154 G2
- 3155 G2 3155 G2
- 3157 G3 3157 G3
- 3158 H3 3158 H3
- 3161 H2 3161 H2
- 3162 H2 3162 H2
- 3163 E4 3163 E4
- 3164 E5 3164 E5
- 3165 F3 3165 F3
- 3167 H4 3167 H4
- 3168 B5 3168 B5
- 3169 S5 3169 S5
- 3170 B5 3170 B5
- 3171 B5 3171 B5
- 3172 G4 3172 G4
- 3174 F8 3174 F8
- 3175 G8 3175 G8
- 3176 F7 3176 F7
- 3177 F10 3177 F10
- 3178 F7 3178 F7
- 3179 H8 3179 H8
- 3180 B9 3180 B9
- 3181 H10 3181 H10
- 3182 F9 3182 F9
- 3183 C4 3183 C4

AMP UCD Circuit_3104 213 2020.pdf.01.w44x29

AMPLIFIER UCD BOARD - CIRCUIT DIAGRAM (PART 2)

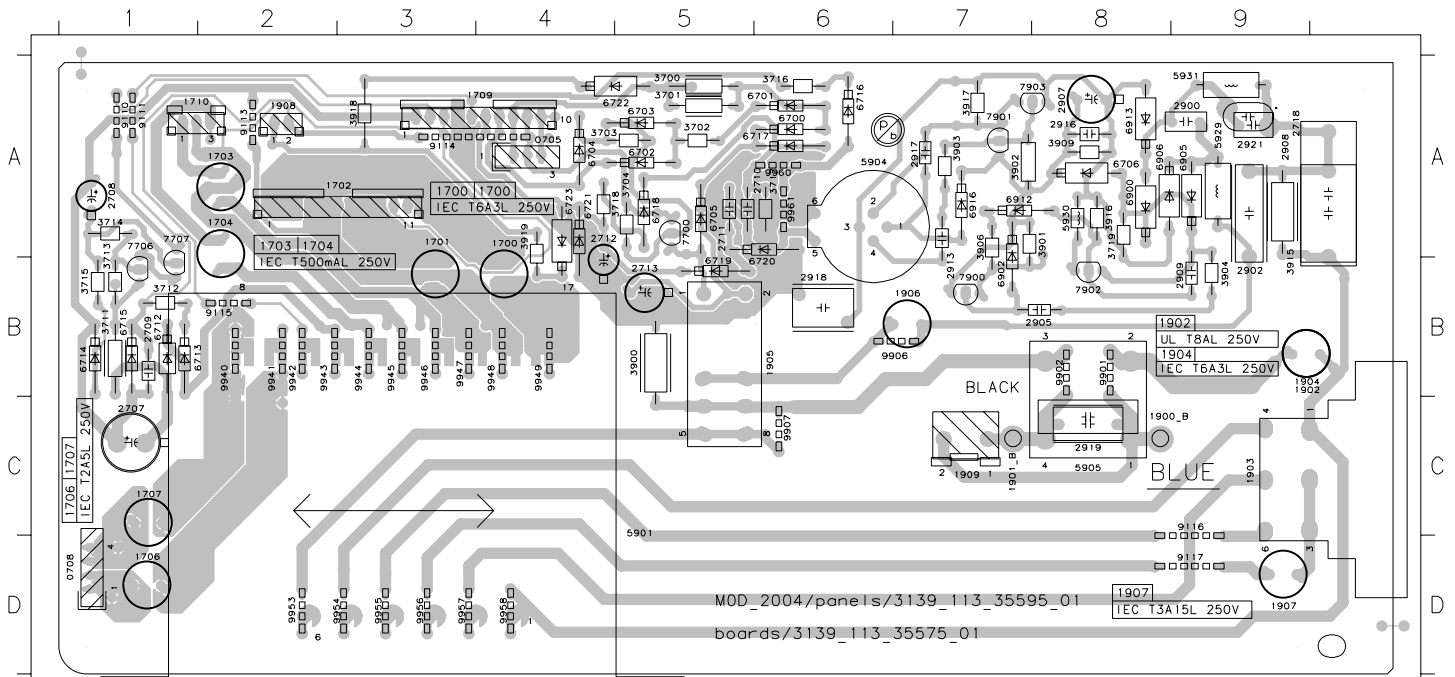
1201 A1	2201 B2	2205 D7	2209 A8	2213 B2	3201 A4	3205 D6	3209 E6	3213 D1	3217 D1	3222 E2	3226 B8	3234 B3	3238 A7	6200 A5	6204 B9	6211 B8	7203 D7	7207 D1	7210-B E2	7210-F D9
1202 A4	2202 B1	2206 D6	2210 D3	2214 B2	3202 B4	3206 E6	3210 D7	3214 C3	3218 D1	3223 E1	3231 B3	3235 E3	3239 B8	6201 C7	6205 D2	7200 A5	7204 E1	7208 D3	7210-C C3	7211 B5
1203 E6	2203 E6	2207 D8	2211 D4	2215 B1	3203 E1	3207 D5	3211 E7	3215 D2	3219 D1	3224 D4	3232 B3	3236 D9	4201 A2	6202 C5	6206 D4	7201 B7	7205 A8	7209 E3	7210-D E9	7212 A8
1204 D6	2204 E6	2208 B9	2212 B1	2216 B2	3204 B6	3208 D6	3212 D1	3216 E4	3220 E3	3225 A7	3233 B3	3237 E3	4202 A2	6203 B8	6210 A8	7202 E7	7206 A9	7210-A D2	7210-E D8	



AMP UCD Circuit2_3104 213 3036 pdf_80 wk0429

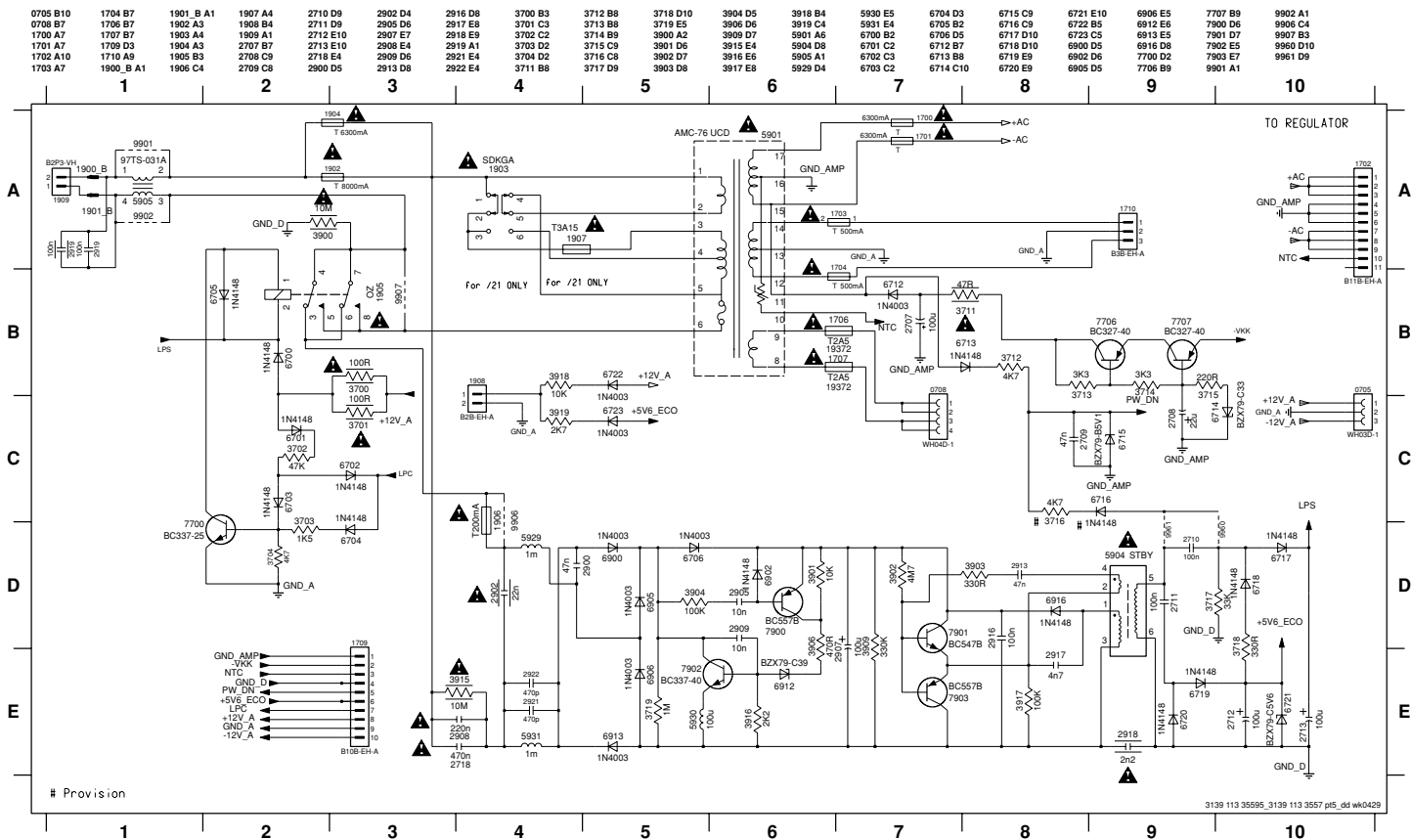
MAINS BOARD - COMPONENT LAYOUT

0705 A4	1710 A1	1909 C7	2902 B9	2920 C8	3713 A1	3903 A7	5904 A6	6705 A5	6720 B6	6916 A7	9113 A2	9941 B2	9954 D2
0708 D1	1900 B C8	2707 C1	2905 B8	2921 A9	3714 A1	3904 B9	5905 C8	6706 A8	6721 A4	7700 A5	9114 A3	9942 B2	9955 D3
1700 A4	1901 B C7	2708 A1	2907 A6	2922 A9	3715 B1	3906 A7	5929 A9	6712 B1	6722 A5	7706 A1	9115 B2	9943 B2	9956 D3
1701 A3	1902 B9	2709 B1	2908 A9	2909 A9	3716 A6	3909 A8	5930 A8	6713 B1	6723 A4	7707 A1	9116 C9	9944 B3	9957 D3
1702 A3	1903 C9	2710 A6	2909 B9	2910 A9	3717 A6	3915 B9	5931 A9	6714 B1	6900 A8	7900 B7	9117 D9	9945 B3	9958 D4
1703 A2	1904 B9	2711 A5	2913 B7	2913 A4	3718 A5	3916 A8	6700 A6	6715 B1	6902 B7	7901 A7	9901 B8	9946 B3	9960 A6
1704 A2	1905 B6	2712 A4	2916 A6	2916 A4	3719 A8	3917 A7	6701 A6	6716 A6	6905 A9	7902 B8	9902 B8	9947 B3	9961 A6
1706 D1	1906 B7	2713 B5	2917 A7	2917 A7	3704 A5	3900 B5	3918 A3	6717 A8	6906 A8	7903 A8	9906 B7	9948 B4	
1707 C1	1907 D9	2718 A9	2918 B6	2918 B6	3711 B1	3901 A8	3919 A4	6703 A5	6718 A5	6912 A7	9110 A1	9907 C6	9949 B4
1709 A4	1908 A2	2900 A9	2919 C8	2919 C8	3712 B1	3902 A7	5901 C5	6704 A4	6719 B5	6913 A8	9111 A1	9940 B2	9953 D2

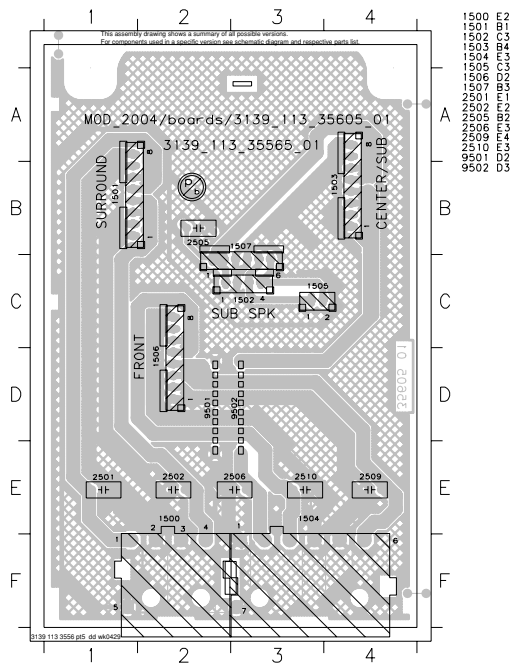


This assembly drawing shows a summary of all possible versions. For components used in a specific version see schematic diagram and respective parts list. 3139 113 3557 pt5 dd wk0429

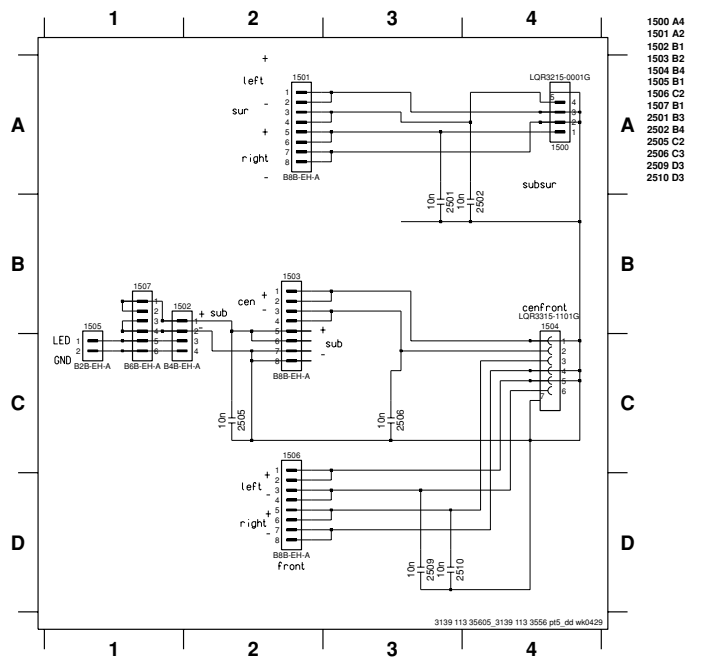
MAINS BOARD - CIRCUIT DIAGRAM



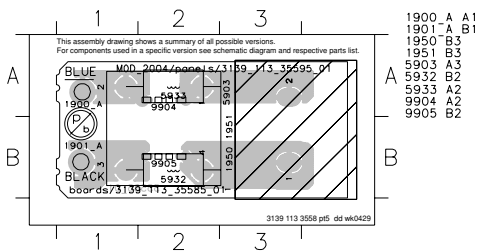
SPEAKER BOARD - COMPONENT LAYOUT



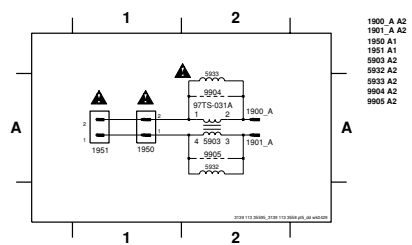
SPEAKER BOARD - CIRCUIT DIAGRAM



MAINS SOCKET BOARD - COMPONENT LAYOUT



MAINS SOCKET BOARD - CIRCUIT DIAGRAM



ELECTRICAL PARTS LIST - MAINS SOCKET BOARD**MISCELLANEOUS**

1002 3139 118 58041 PCBAS MAINS SOCKET
1950 4822 265 31015 Δ MAINS SOCKET

COILS & FILTERS

5903 4822 157 11628 Δ FIL MAINS 650uH 6A 97TS B

Note : Only the parts mentioned in this list are normal service spare parts.

ELECTRICAL PARTS LIST - MAINS BOARD**MISCELLANEOUS**

1001 3139 118 58061 PCBAS MAINS
1700 2422 086 11109 Δ FUSE RAD T 6A3 250V
1701 2422 086 11109 Δ FUSE RAD T 6A3 250V
1703 9965 000 07787 Δ FUSE RAD LT 500MA 250V
1704 9965 000 07787 Δ FUSE RAD LT 500MA 250V
1706 4822 071 52502 Δ FUSE RAD LT 2A5 250V
1707 4822 071 52502 Δ FUSE RAD LT 2A5 250V
1710 4822 267 10735 CON BM V 3P M 2.50 EH B
1904 2422 086 11109 Δ FUSE RAD T 6A3 250V
1905 2422 132 07519 Δ RELAY 1P 12V 16A OZ-SS L

CAPACITORS

2707 2020 012 93741 100uF 20% 100V
2900 4822 121 43526 47nF 5% 250V
2902 2222 336 19106 Δ 22nF 20% 275V
2908 4822 121 10512 Δ 220nF 20% 275V
2918 4822 126 14497 Δ 2.2nF 20% 250V
2919 4822 121 10711 100nF 20% 275V
2919 2222 338 22104 100nF 20% 275V

RESISTORS

3700 4822 052 10101 Δ 100R 5% 0,33W
3701 4822 052 10101 Δ 100R 5% 0,33W
3711 4822 052 10479 Δ 47R 5% 0,33W
3902 4822 050 24705 4M7 1% 0,6W
3915 4822 053 21106 Δ 10M 5% 0,5W

COILS & FILTERS

5904 2422 549 45157 Δ TRAF0 STANDBY 3A1631N
5929 4822 157 53473 IND FXD 1000uH 10%
5930 4822 157 52333 IND FXD 100uH 5%
5931 4822 157 53473 IND FXD 1000uH 10%

DIODES

6700 4822 130 30621 1N4148
6701 4822 130 30621 1N4148
6702 4822 130 30621 1N4148

6703 4822 130 30621 1N4148
6704 4822 130 30621 1N4148
6705 4822 130 30621 1N4148
6706 4822 130 31878 1N4003G
6712 4822 130 31878 1N4003G
6713 4822 130 30621 1N4148
6714 4822 130 34142 BZX79-C33
6715 3198 010 55180 BZX79-B5V1
6716 4822 130 30621 1N4148
6717 4822 130 30621 1N4148
6718 4822 130 30621 1N4148
6719 4822 130 30621 1N4148
6720 4822 130 30621 1N4148
6721 4822 130 34173 BZX79-C5V6
6722 4822 130 31878 1N4003G
6723 4822 130 31878 1N4003G
6900 4822 130 31878 1N4003G
6902 4822 130 30621 1N4148
6905 4822 130 31878 1N4003G
6906 4822 130 31878 1N4003G
6912 4822 130 34145 BZX79-C39
6913 4822 130 31878 1N4003G
6916 4822 130 30621 1N4148

TRANSISTORS & INTEGRATED CIRCUITS

7700 4822 130 40981 BC337-25
7706 4822 130 41327 BC327-40
7707 4822 130 41327 BC327-40
7900 4822 130 44568 BC557B
7901 4822 130 40959 BC547B
7902 4822 130 40855 BC337-40
7903 4822 130 44568 BC557B

Note : Only the parts mentioned in this list are normal service spare parts.

ELECTRICAL PARTS LIST - REGULATOR BOARD**MISCELLANEOUS**

1306 4822 267 10953 FLEX CONNECTOR 7P
1308 4822 267 10953 FLEX CONNECTOR 7P
1310 4822 267 10953 FLEX CONNECTOR 7P

CAPACITORS

2310 3198 038 52220 2200uF 20% 50V
2312 5322 121 42661 330nF 5% 63V
2313 5322 121 42386 100nF 5% 63V
2318 5322 121 42661 330nF 5% 63V
2319 5322 121 42386 100nF 5% 63V
2320 5322 121 42661 330nF 5% 63V
2321 5322 121 42386 100nF 5% 63V
2322 5322 121 42578 100nF 5% 250V
2323 5322 121 42578 100nF 5% 250V
2324 2022 020 00737 6800uF 20% 50V
2325 5322 121 42578 100nF 5% 250V
2326 2022 020 00737 6800uF 20% 50V
2327 5322 121 42578 100nF 5% 250V
2328 5322 121 42578 100nF 5% 250V
2329 2022 020 00782 6800uF 20% 35V
2339 5322 121 42386 100nF 5% 63V
2340 5322 121 42386 100nF 5% 63V
2341 5322 121 42386 100nF 5% 63V
2373 4822 124 80061 1000uF 20% 25V

RESISTORS

3326 4822 052 10568 Δ 5R6 5% 0,33W
3328 2322 615 33103 NTC SM 0603 0W125 10K 5%
3331 2322 187 53123 RST MFLM SFR16 A 12K 5%
3344 2322 187 53123 RST MFLM SFR16 A 12K 5%

COILS & FILTERS

5300 2422 536 00838 IND FXD 16RHBP 100uH 10%

DIODES

6306 4822 130 10871 Δ BYV27-200
6308 4822 130 11397 BAS316
6309 4822 130 11397 BAS316

ELECTRICAL PARTS LIST - SPEAKER BOARD**MISCELLANEOUS**

1500 2422 025 18515 Speaker Socket 4P Grey/Blue
1504 2422 025 18518 Speaker Socket 6P Green/Red/White

CAPACITORS

2501 4822 121 41857 10nF 5% 250V
2502 4822 121 41857 10nF 5% 250V

6310 4822 130 11397 BAS316
6311 4822 130 11397 BAS316
6312 4822 130 11397 BAS316
6313 9322 197 92682 Δ BRIDGE GBJ10D
6314 4822 130 83302 Δ BRIDGE GBU4D
6315 4822 130 34174 Δ BZX79-C4V7
6316 4822 130 31878 Δ 1N4003G
6317 4822 130 31878 Δ 1N4003G
6318 4822 130 31878 Δ 1N4003G
6319 4822 130 31878 Δ 1N4003G
6320 4822 130 83206 BZX79-B5V6

TRANSISTORS & INTEGRATED CIRCUITS

7300 4822 209 30095 LM833D
7301 4822 209 30095 LM833D
7302 4822 209 30095 LM833D
7303 4822 209 30095 LM833D
7304 4822 209 30095 LM833D
7305 4822 209 30095 LM833D
7314 9322 196 34682 Δ IC LM2576TV-ADJ
7315 4822 209 81726 Δ IC L7812CV
7317 4822 130 60373 BC857B
7318 5322 130 60159 BC847B
7319 5322 130 60159 BC847B
7320 5322 130 60159 BC847B
7321 9322 131 68687 Δ IC L7912CP
7322 4822 209 81726 Δ IC L7812CV
7323 4822 130 41246 BC327-25
7324 5322 130 60159 BC847B
7325 5322 130 60159 BC847B
7326 5322 130 60159 BC847B
7327 5322 130 60159 BC847B
7328 5322 130 60159 BC847B
7329 5322 130 60159 BC847B

Note : Only the parts mentioned in this list are normal service spare parts.

2505 4822 121 41857 10nF 5% 250V
2506 4822 121 41857 10nF 5% 250V
2509 4822 121 41857 10nF 5% 250V
2510 4822 121 41857 10nF 5% 250V

Note : Only the parts mentioned in this list are normal service spare parts.

ELECTRICAL PARTS LIST - AMPLIFIER UCD BOARD

MISCELLANEOUS

0003	3104 214 39321	TO-220 HOLDER
0004	3104 214 39331	SPACER
1201	4822 267 10953	FLEX CONNECTOR 7P
1203	2422 540 98578	RES CER 410kHz
1204	2422 540 98552	RES CER 375kHz

CAPACITORS

2114	3198 026 51020	1000uF 20% 50V
2120	2238 606 11536	100pF 5% 100V
2123	3198 026 51020	1000uF 20% 50V
2127	2238 606 11536	100pF 5% 100V
2128	5322 121 42498	680nF 5% 63V
2160	2238 606 11536	100pF 5% 100V
2163	2238 606 11536	100pF 5% 100V
2164	3198 026 51020	1000uF 20% 50V
2168	3198 026 51020	1000uF 20% 50V
2172	5322 121 42498	680nF 5% 63V

RESISTORS

3122	4822 101 11382	RTRM CAR LIN 220R
3131	2122 118 06384	RST SM1218LPRC201 R047 5%
3141	2122 118 06384	RST SM1218LPRC201 R047 5%
3145	2122 663 00025	Δ PTC SM 0805 40V 3k9 10%
3172	4822 101 11382	RTRM CAR LIN 220R
3182	2122 118 06384	RST SM1218LPRC201 R047 5%
3184	2122 118 06384	RST SM1218LPRC201 R047 5%
3188	2122 663 00025	Δ PTC SM 0805 40V 3k9 10%
3190	4822 117 12063	Δ NTC DC 0W5 S 10k 5%
3195	2120 611 00023	NTC SM 0603 0W1 4k7 5%
3195	2322 615 33472	NTC SM 0603 0W125 4k7 5%
3196	2120 611 00023	NTC SM 0603 0W1 4k7 5%
3196	2322 615 33472	NTC SM 0603 0W125 4k7 5%
3197	2120 611 00023	NTC SM 0603 0W1 4k7 5%
3197	2322 615 33472	NTC SM 0603 0W125 4k7 5%
3198	2120 611 00023	NTC SM 0603 0W1 4k7 5%
3198	2322 615 33472	NTC SM 0603 0W125 4k7 5%

COILS & FILTERS

5100	4822 157 11411	IND FXD BEAD EMI 100MHz 83R
5102	4822 157 11411	IND FXD BEAD EMI 100MHz 83R
5105	3104 218 15671	IND FXD SC4684-145 PM1
5151	4822 157 11411	IND FXD BEAD EMI 100MHz 83R
5152	4822 157 11411	IND FXD BEAD EMI 100MHz 83R
5155	3104 218 15671	IND FXD SC4684-145 PM1

DIODES

6101	4822 130 11397	BAS316
6102	4822 130 11397	BAS316
6103	3198 020 55680	DIO REG SM PDZ5.6B
6104	9322 198 95685	DIO SIG SM 1SS370
6105	9322 198 95685	DIO SIG SM 1SS370
6106	5322 130 34331	DIO SIG SM BAV70W

6107	4822 130 11397	BAS316
6108	9340 548 61115	DIO REG SM PDZ12B
6109	5322 130 34331	DIO SIG SM BAV70W
6110	4822 130 11397	BAS316
6151	4822 130 11397	BAS316
6152	4822 130 11397	BAS316
6153	5322 130 34331	DIO SIG SM BAV70W
6154	9340 548 61115	DIO REG SM PDZ12B
6155	4822 130 11397	BAS316
6156	3198 020 55680	DIO REG SM PDZ5.6B
6157	9322 198 95685	DIO SIG SM 1SS370
6158	9322 198 95685	DIO SIG SM 1SS370
6159	5322 130 34331	DIO SIG SM BAV70W
6160	4822 130 11397	BAS316
6200	4822 130 11551	DIO REG SM PDZ10B
6201	3198 020 55680	DIO REG SM PDZ5.6B
6202	4822 130 11551	DIO REG SM PDZ10B
6203	4822 130 11397	BAS316
6204	4822 130 11397	BAS316
6205	4822 130 11397	BAS316
6206	4822 130 11397	BAS316
6210	4822 130 11397	BAS316
6211	4822 130 11397	BAS316

TRANSISTORS & INTEGRATED CIRCUITS

7100	9340 218 20135	TRA SIG SM BC856BW
7101	4822 130 41691	TRA SIG BC556B
7102	9340 218 60115	TRA SIG SM BC857CW
7103	9340 217 80115	TRA SIG SM BC847CW
7103	9340 217 80115	TRA SIG SM BC847CW
7104	9340 217 80115	TRA SIG SM BC847CW
7104	9340 217 80115	TRA SIG SM BC847CW
7105	9340 218 20135	TRA SIG SM BC856BW
7106	9340 217 80115	TRA SIG SM BC847CW
7106	9340 217 80115	TRA SIG SM BC847CW
7107	9340 217 80115	TRA SIG SM BC847CW
7107	9340 217 80115	TRA SIG SM BC847CW
7108	4822 130 43233	TRA SIG 2SC2240
7109	9340 217 80115	TRA SIG SM BC847CW
7109	9340 217 80115	TRA SIG SM BC847CW
7110	9340 218 20135	TRA SIG SM BC856BW
7111	9340 218 60115	TRA SIG SM BC857CW
7112	9322 173 29687	FET POW STP14NF12FP
7113	9322 198 96685	TRA SIG SM 2SA1954B
7114	9340 218 60115	TRA SIG SM BC857CW
7115	9322 198 96685	TRA SIG SM 2SA1954B
7116	9340 217 40135	TRA SIG SM BC846BW
7117	9322 173 29687	FET POW STP14NF12FP
7150	9340 218 60115	TRA SIG SM BC857CW
7151	4822 130 41691	TRA SIG BC556B
7152	9340 217 80115	TRA SIG SM BC847CW
7152	9340 217 80115	TRA SIG SM BC847CW

ELECTRICAL PARTS LIST - AMPLIFIER UCD BOARD

7153	9340 217 80115	TRA SIG SM BC847CW
7153	9340 217 80115	TRA SIG SM BC847CW
7154	9340 217 80115	TRA SIG SM BC847CW
7154	9340 217 80115	TRA SIG SM BC847CW
7155	9340 217 80115	TRA SIG SM BC847CW
7155	9340 217 80115	TRA SIG SM BC847CW
7156	9340 218 20135	TRA SIG SM BC856BW
7157	9340 218 20135	TRA SIG SM BC856BW
7158	4822 130 43233	TRA SIG 2SC2240
7159	9340 217 80115	TRA SIG SM BC847CW
7159	9340 217 80115	TRA SIG SM BC847CW
7160	9340 218 60115	TRA SIG SM BC857CW
7161	9322 198 96685	TRA SIG SM 2SA1954B
7162	9322 173 29687	FET POW STP14NF12FP
7163	9340 218 60115	TRA SIG SM BC857CW
7164	9322 198 96685	TRA SIG SM 2SA1954B
7165	9322 173 29687	FET POW STP14NF12FP
7167	9340 217 40135	TRA SIG SM BC846BW
7168	9340 218 20135	TRA SIG SM BC856BW
7200	9339 753 30135	TRA POW SM PZT2222A
7201	9340 217 40135	TRA SIG SM BC846BW
7202	3198 010 42310	TRA SIG SM BC847BW
7203	3198 010 42320	TRA SIG SM BC857BW
7204	9340 217 40135	TRA SIG SM BC846BW
7205	9340 217 80115	TRA SIG SM BC847CW
7205	9340 217 80115	TRA SIG SM BC847CW
7206	9340 218 60115	TRA SIG SM BC857CW
7207	9340 218 60115	TRA SIG SM BC857CW
7208	9340 218 60115	TRA SIG SM BC857CW
7209	9340 217 80115	TRA SIG SM BC847CW
7209	9340 217 80115	TRA SIG SM BC847CW
7210	5322 209 11548	IC SM 74HC14D
7211	9339 753 30135	TRA POW SM PZT2222A
7212	9340 217 80115	TRA SIG SM BC847CW
7212	9340 217 80115	TRA SIG SM BC847CW

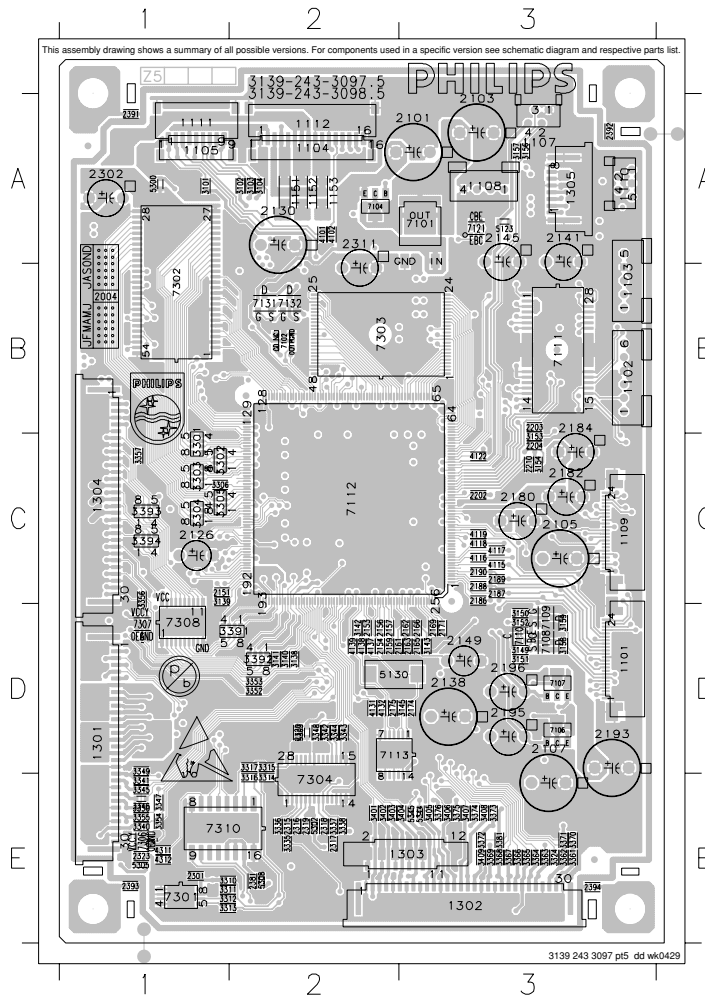
Note : Only the parts mentioned in this list are normal service spare parts.

MODULE SD6.3 ST AV2

TABLE OF CONTENTS

SD6.3 ST AV2 Board - Top View Layout	9-2
SD6.3 ST AV2 Board - Bottom View Layout	9-3
SD6.3 ST AV2 Board - Circuit Diagram (Part 1)	9-4
SD6.3 ST AV2 Board - Circuit Diagram (Part 2)	9-5
Exploded View & parts list	9-6
Electrical parts list	9-7

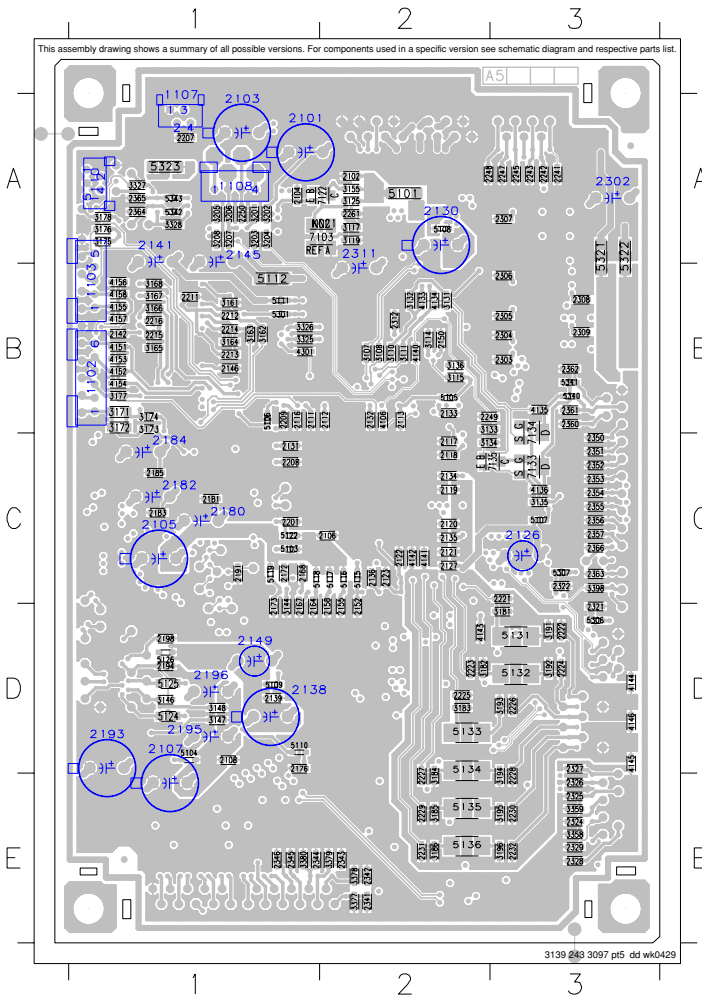
SD6.3 ST AV2 BOARD - TOP VIEW LAYOUT



1101	D3	2317	E2	3355	E1	7110	D3
1102	B3	2318	E2	3356	C1	7111	B3
1103	B3	2319	E2	3357	C1	7112	C2
1104	A2	2320	D2	3361	E3	7113	D2
1105	A1	2323	E1	3362	E3	7121	A3
1107	A3	2381	E2	3363	E3	7121	B2
1108	A3	2391	A1	3364	E3	7131	B2
1109	C3	2392	A3	3365	E3	7301	E1
1110	A3	2393	E1	3366	E3	7302	B1
1111	A1	2394	E3	3367	E3	7303	B2
1112	A2	3101	A1	3368	E3	7304	E2
1151	A2	3102	A2	3369	E3	7306	E1
1152	A2	3103	A2	3370	E3	7307	D1
1153	A2	3104	A2	3371	E3	7308	D1
1301	D1	3138	D2	3372	E3	7310	E1
1302	E3	3139	C1	3373	E3		
1303	E3	3140	D2	3374	E3		
1304	C1	3141	D2	3375	E3		
1305	A3	3142	D2	3376	E3		
2101	A3	3143	D3	3381	E3		
2103	A3	3145	D3	3391	D2		
2105	C3	3149	D3	3392	D2		
2107	D3	3150	D3	3393	C1		
2126	C1	3151	D3	3394	C1		
2130	A2	3152	D3	3401	E2		
2138	D3	3153	C3	3402	E2		
2141	A3	3154	C3	3403	E2		
2145	A3	3156	A3	3404	E3		
2149	D3	3157	A3	3405	E3		
2151	C1	3158	D3	3406	E3		
2153	D2	3159	D3	3407	E3		
2154	D2	3301	C1	3408	E3		
2156	D2	3302	C1	3409	E3		
2157	D2	3303	C1	4101	A2		
2159	D2	3304	C1	4102	A2		
2161	D2	3305	C1	4115	C3		
2162	D3	3306	C1	4116	C3		
2163	D3	3310	E1	4117	C3		
2165	D3	3311	E1	4118	C3		
2166	D3	3312	E1	4119	C3		
2169	D3	3313	E1	4122	C3		
2171	D3	3314	E2	4131	D2		
2174	D3	3315	D2	4132	D2		
2175	D2	3316	E2	4137	D2		
2180	C3	3317	D2	4138	D2		
2182	C3	3324	E3	4139	D2		
2184	B3	3335	E2	4311	E1		
2186	C3	3336	E2	4312	E1		
2187	C3	3337	E2	5123	A3		
2188	C3	3338	E2	5130	D2		
2189	C3	3340	E1	5300	A1		
2190	C3	3341	E1	5302	E2		
2193	D3	3342	D2	5303	D2		
2195	D3	3343	D2	5305	E1		
2196	D3	3344	D2	5308	E2		
2202	C3	3345	E1	5344	E3		
2203	B3	3346	E1	5345	E3		
2204	C3	3347	E1	7101	A3		
2210	C3	3348	D2	7102	B2		
2301	E1	3349	D1	7104	A2		
2302	A1	3350	E1	7106	D3		
2311	A2	3352	D2	7107	D3		
2315	E2	3353	D2	7108	D3		
2316	E2	3354	E1	7109	D3		

3139 243 3097 pt5 dd wk0429

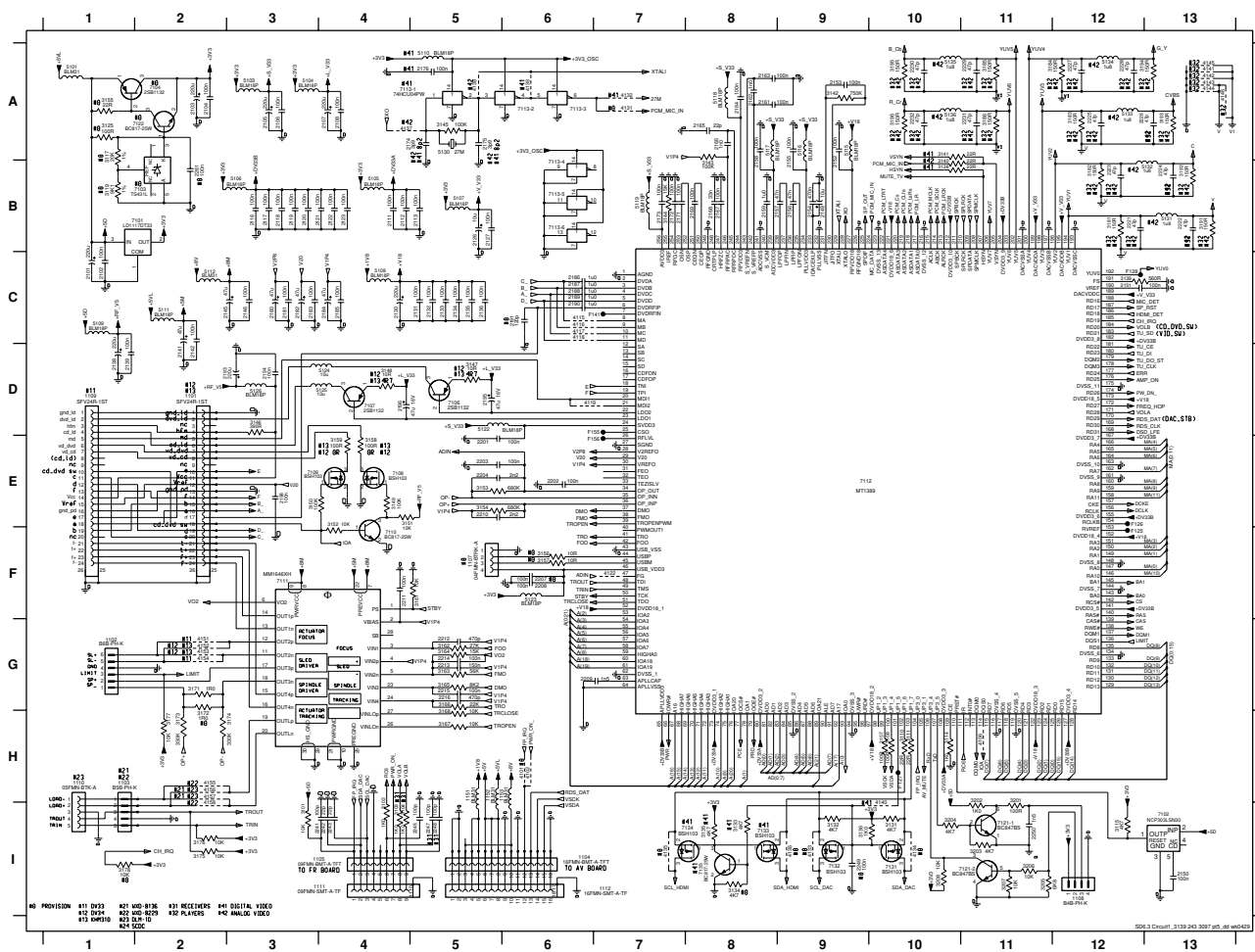
SD6.3 ST AV2 BOARD - BOTTOM VIEW LAYOUT



1102 B1	2102 A2	2242 A3	3155 A2	4155 B1
1103 B1	2104 A1	2243 A3	3161 B1	4156 B1
1107 A1	2106 C2	2245 A3	3162 B1	4157 B1
1108 A1	2108 D1	2247 A3	3163 B1	4158 B1
1110 A1	2111 B1	2248 A2	3164 B1	4301 B1
2101 A1	2112 B2	2249 B2	3165 B1	5101 A2
2103 A1	2113 B2	2250 A1	3166 B1	5103 C1
2105 C1	2116 B1	2261 A2	3167 B1	5104 D1
2107 D1	2117 C2	2303 B3	3168 B1	5105 B2
2126 C3	2118 C2	2304 B3	3171 B1	5106 B1
2130 A2	2119 C2	2305 B3	3172 B1	5107 C3
2138 D1	2120 C2	2306 B3	3173 B1	5108 A2
2141 A1	2121 C2	2307 A3	3174 B1	5109 D1
2145 A1	2122 C2	2308 B3	3175 A1	5110 D1
2149 D1	2123 C2	2309 B3	3176 A1	5111 B1
2180 C1	2127 C2	2312 B2	3177 B1	5112 B1
2182 C1	2131 C1	2321 D3	3178 A1	5115 C2
2184 B1	2132 B2	2322 C3	3181 D3	5116 C2
2193 D1	2133 B2	2324 E3	3182 D2	5117 C2
2195 D1	2134 C2	2325 E3	3183 D2	5118 C1
2196 D1	2135 C2	2326 E3	3184 E2	5119 C1
2302 A3	2139 D1	2328 E3	3186 E2	5124 C1
2311 A2	2142 B1	2329 E3	3191 D3	5125 D1
	2146 B1	2341 E2	3192 D3	5126 D1
	2150 B2	2342 E2	3193 D3	5131 D3
	2152 D2	2343 E2	3194 E3	5132 D3
	2155 D2	2344 E1	3195 E3	5133 D2
	2158 D2	2345 E1	3196 E3	5134 D2
	2164 D1	2346 E1	3201 A1	5135 E2
	2167 D1	2350 C3	3202 A1	5136 E2
	2168 C1	2351 C3	3203 A1	5301 B1
	2172 C1	2352 C3	3204 A1	5306 D3
	2173 D1	2353 C3	3205 A1	5307 C3
	2176 D1	2354 C3	3206 A1	5321 A3
	2181 C1	2355 C3	3207 A1	5322 A3
	2183 C1	2356 C3	3208 A1	5323 A1
	2185 C1	2357 C3	3325 B1	5340 B3
	2191 C1	2360 B3	3326 B1	5341 B3
	2194 D1	2361 B3	3327 A1	5342 A1
	2198 D1	2362 B3	3328 A1	5343 A1
	2201 C1	2363 C3	3358 E3	7103 A2
	2207 A1	2364 A1	3359 E3	7122 A2
	2208 C1	2365 A1	3377 E2	7133 C3
	2209 B1	2366 C3	3378 E2	7134 B3
	2211 B1	3107 B2	3379 E2	7135 C3
	2212 B1	3108 B2	3380 E1	
	2215 B1	3110 B2	3398 C3	
	2214 B1	3111 B2	4106 B2	
	2215 B1	3114 B2	4133 B2	
	2216 B1	3115 B2	4134 B2	
	2221 C3	3117 A2	4135 B3	
	2222 D3	3119 A2	4136 C3	
	2223 D2	3125 A2	4140 B2	
	2224 D3	3131 B2	4141 C2	
	2225 D2	3132 B2	4142 C2	
	2226 D3	3133 B2	4143 D2	
	2227 E2	3134 C2	4144 D3	
	2228 E3	3135 C3	4145 D3	
	2229 E2	3136 B2	4146 D3	
	2230 E3	3144 D1	4151 B1	
	2231 E3	3146 D1	4152 B1	
	2232 E3	3147 D1	4153 B1	
	2241 A3	3148 D1	4154 B1	

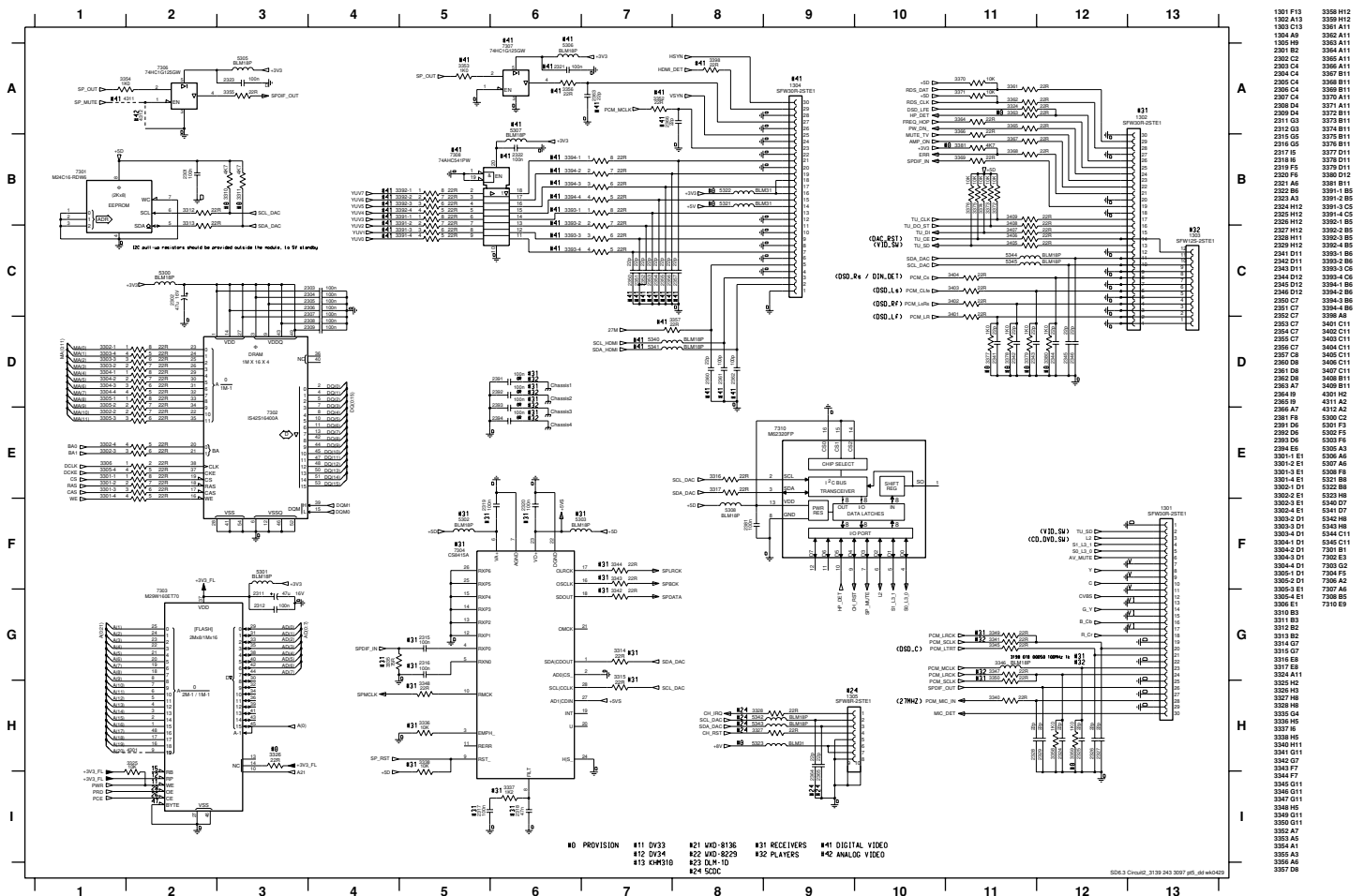
3139 243 3097 pl5 dd wk0429

SD6.3 ST AV2 BOARD - CIRCUIT DIAGRAM (PART 1)

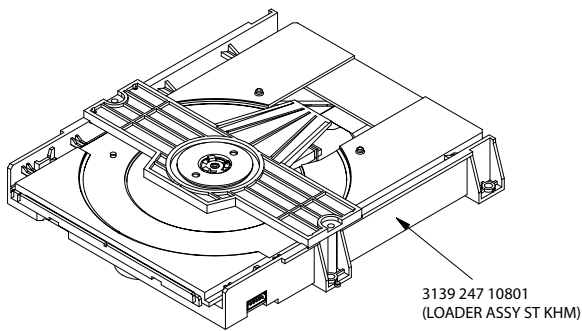


1101 D2	2241 I3	4157 H2
1102 C1	2242 J4	4158 K2
1103 H1	2243 J5	5101 A1
1104 M	2245 J5	5103 A3
1105 M2	2247 J5	5104 A3
1107 F3	2248 J5	5105 B4
1109 D1	2250 H1	5107 B5
1110 H1	3101 B2	5108 C4
1111 H	3101 D3	5109 C1
1112 H	3102 A3	5110 A5
1115 H5	3103 A4	5111 C2
1118 H6	3107 H10	5115 A9
1120 C1	3108 H10	5116 A9
1122 C1	3110 H10	5117 A8
1123 C1	3111 H10	5118 A8
1124 A2	3114 H10	5119 B7
1126 A1	3115 J2	5122 C5
1128 A3	3117 A1	5123 F4
1129 A4	3119 B1	5124 C4
1129 A4	3125 A1	5125 D4
1118 D4	3121 B	5126 D3
1112 B4	3122 D	5130 A1
1113 B5	3123 B	5131 B13
1116 B3	3124 B	5132 B13
1117 B3	3125 B	5134 A12
1118 B3	3126 B	5135 A10
1119 B3	3127 B	5136 A10
2102 B3	3130 C12	5136 A10
2121 B4	3141 A10	7100 J3
2122 B4	3142 B9	7101 B1
2123 B4	3143 B9	7102 B2
2125 B5	3144 B9	7104 A2
2127 B5	3145 B7	7105 C5
2130 C4	3146 A5	7107 D4
2131 C5	3147 D5	7109 D5
2132 C5	3147 D5	7109 D5
2133 C5	3148 C4	7110 F4
2134 C5	3149 E4	7111 F3
2135 C5	3150 B3	7112 B3
2136 C5	3151 E4	7113 A4
2138 D1	3152 E4	7113 A4
2139 D1	3153 E5	7113 A4
2141 C2	3154 E5	7113 A4
2142 C2	3155 A1	7113 A4
2143 C2	3155 B1	7113 A4
2144 C2	3157 F6	7121 H1
2145 B9	3158 E4	7121 H1
2146 H13	3159 E4	7122 A1
2151 C12	3161 F5	7121 H1
2152 B9	3162 G5	7132 D9
2153 B9	3163 F5	7133 B9
2154 B9	3164 G5	7134 F7
2155 B9	3165 G5	7135 F2
2156 B9	3166 G5	7135 F2
2157 B9	3167 G5	7135 F2
2158 B8	3168 H5	7137 H10
2159 B8	3169 H5	7138 C12
2161 A8	3172 H2	F141 C7
2162 A8	3173 H2	F155 D7
2163 A8	3174 H3	F156 E7
2164 A8	3175 J2	
2165 A8	3176 J2	
2166 A8	3177 H2	
2167 B8	3178 J2	
2168 B8	3181 B12	
2169 B8	3182 B12	
2171 B7	3184 A11	
2172 B7	3184 A11	
2173 B7	3185 A11	
2174 A5	3186 A11	
2175 A5	3187 A11	
2176 A5	3188 B13	
2180 C3	3189 A13	
2181 C3	3194 A12	
2182 C3	3195 A13	
2183 C3	3196 A10	
2184 C4	3201 H11	
2185 C4	3202 H11	
2186 C6	3203 H10	
2187 C6	3204 H10	
2188 C6	3205 H11	
2189 C6	3206 H11	
2190 C6	3207 H11	
2191 C6	3208 H10	
2193 D3	4101 H6	
2194 D3	4102 H6	
2195 D5	4109 H11	
2196 D4	4115 C6	
2198 E3	4116 C6	
2201 E5	4117 C6	
2202 E5	4118 C6	
2203 E5	4119 C6	
2204 E5	4122 F7	
2207 F5	4131 A7	
2208 F5	4132 A7	
2209 G5	4133 B9	
2210 E5	4134 H10	
2211 F1	4135 F7	
2212 G5	4136 A5	
2213 G5	4137 A4	
2214 G5	4138 A5	
2215 G5	4139 A6	
2216 G5	4140 H10	
2221 H12	4141 A13	
2222 H12	4142 A13	
2223 H12	4143 A13	
2224 H12	4144 A13	
2225 H12	4145 A13	
2226 H12	4146 A13	
2227 H12	4151 G2	
2228 H12	4152 G2	
2229 A11	4153 G2	
2230 A10	4154 G2	
2231 A11	4155 H2	
2232 A10	4156 H2	

SD6.3 ST AV2 BOARD - CIRCUIT DIAGRAM (PART 2)



EXPLODED VIEW - MODULE SD6.3 ST AV2



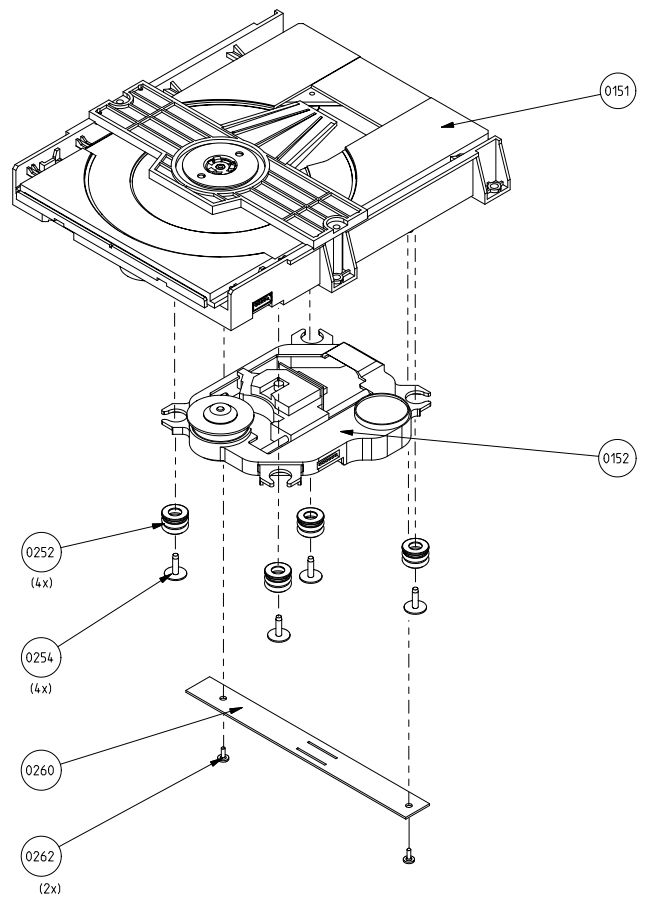
Module SD6.3 ST AV2_dd wk0428

MODULE SD6.3 ST AV2 PARTS LIST

0001	3139 247 10801	LOADER ASSY ST KHM
0002	3139 248 83303	PCBAS SD6.3 ST AV 2
1101	3139 241 00851	FFC FOIL 24P/180/24P AD 0.5MMP

Note : Only the parts mentioned in this list are normal service spare parts.

EXPLODED VIEW - LOADER ASSY ST KHM



LOADER ASSY ST KHM_3139 247 10801_dd wk0428

ELECTRICAL PARTS LIST - SD6.3 ST AV2 BOARD**MISCELLANEOUS**

1101	2422 025 17529	FLEX CONNECTOR 24P	5308	4822 157 11499	IND FXD 0603 EMI 100MHz 60R
1104	2422 025 16388	FLEX CONNECTOR 16P	5344	4822 157 11499	IND FXD 0603 EMI 100MHz 60R
1105	2422 025 17768	FLEX CONNECTOR 9P	5345	4822 157 11499	IND FXD 0603 EMI 100MHz 60R
1111	2422 025 17201	FLEX CONNECTOR 9P			
1112	4822 267 11027	FLEX CONNECTOR 16P			
1151	4822 157 11717	IND FXD 1206 EMI 100MHz 50R			
1152	4822 157 11717	IND FXD 1206 EMI 100MHz 50R			
1153	4822 157 11717	IND FXD 1206 EMI 100MHz 50R			
1301	2422 025 17451	FLEX CONNECTOR 30P			
1302	2422 025 17451	FLEX CONNECTOR 30P			

RESISTORS

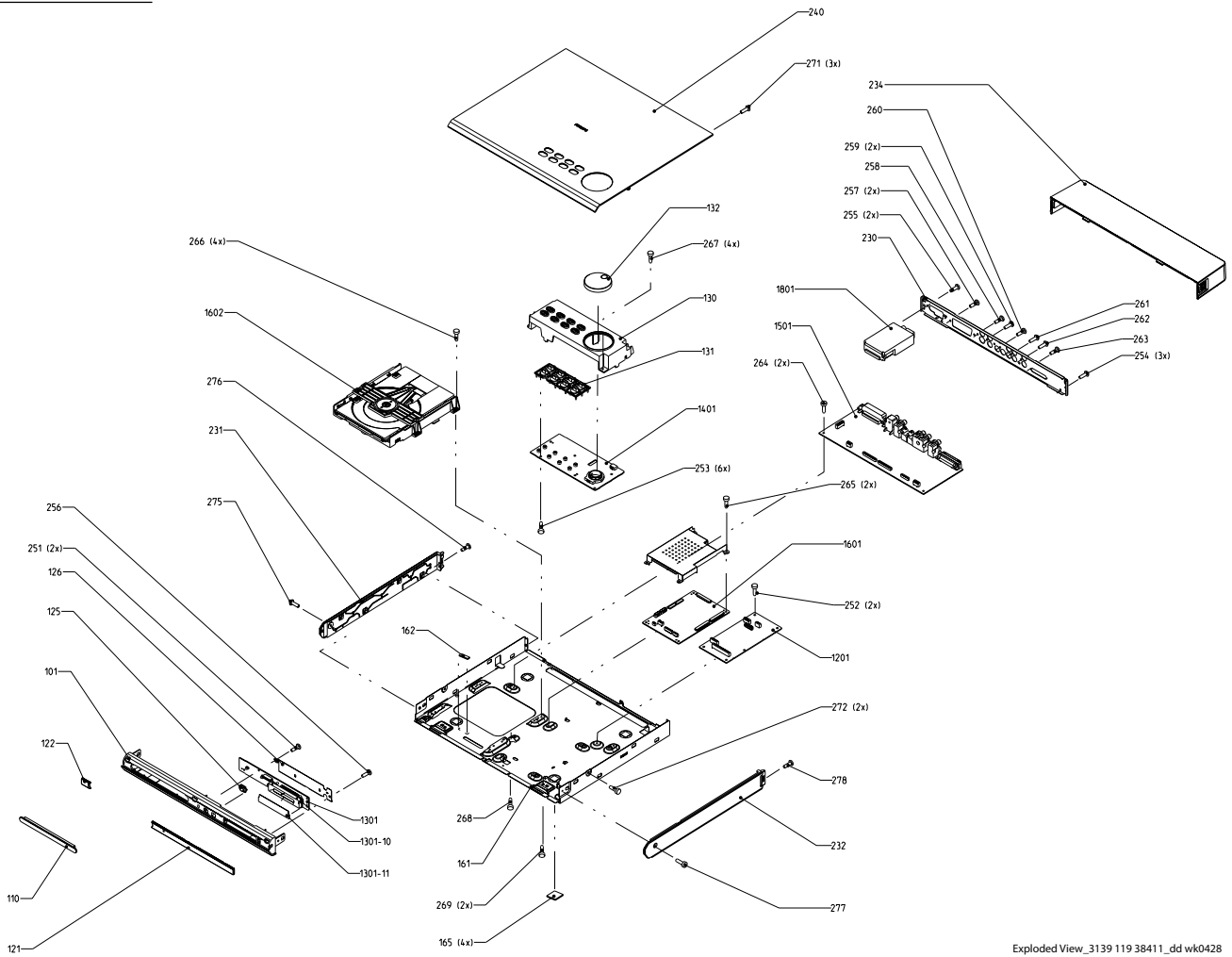
3301	2350 035 10229	RST NETW 1206 4X 22R 5%	7101	4822 209 17398	IC SM LD1117DT33
3302	2350 035 10229	RST NETW 1206 4X 22R 5%	7102	9322 165 15685	IC SM NCP303LSN30
3303	2350 035 10229	RST NETW 1206 4X 22R 5%	7106	4822 130 11565	TRA POW SM 2SB1132
3304	2350 035 10229	RST NETW 1206 4X 22R 5%	7107	4822 130 11565	TRA POW SM 2SB1132
3305	2350 035 10229	RST NETW 1206 4X 22R 5%	7108	9340 547 13215	FET SIG SM BSH103
3346	4822 157 11499	IND FXD 0603 EMI 100MHz 60R	7108	9322 212 30685	FET POW SM TN0200T
			7109	9340 547 13215	FET SIG SM BSH103
			7109	9322 212 30685	FET POW SM TN0200T
			7110	9340 219 30115	TRA SIG SM BC817-25W
			7111	9322 201 94668	IC SM MM1646XH
			7112	9322 203 35671	IC SM MT1389E
			7121	9340 425 20115	TRA SIG SM BC847BS
			7131	9322 212 30685	FET POW SM TN0200T
			7131	9340 547 13215	FET SIG SM BSH103
			7132	9340 547 13215	FET SIG SM BSH103
			7132	9322 212 30685	FET POW SM TN0200T

COILS & FILTERS

5101	4822 157 11717	IND FXD 1206 EMI 100MHz 50R	7301	9322 189 04668	IC SM M24C16-RDW6
5103	4822 157 11499	IND FXD 0603 EMI 100MHz 60R	7302	9322 199 38671	IC SM IS42S16400A
5104	4822 157 11499	IND FXD 0603 EMI 100MHz 60R	7302	9322 166 67668	IC SM MT48LC4M16A2TG-7E
5105	4822 157 11499	IND FXD 0603 EMI 100MHz 60R	7303	9322 194 74668	IC SM M29W160ET70N6
5106	4822 157 11499	IND FXD 0603 EMI 100MHz 60R	7304	9322 185 10668	IC SM CS8415A-CZ
5107	4822 157 11499	IND FXD 0603 EMI 100MHz 60R	7306	9352 687 20125	IC SM 74LVC1G125GW
5108	4822 157 11499	IND FXD 0603 EMI 100MHz 60R	7310	4822 209 17345	IC SM M62320FP
5109	4822 157 11499	IND FXD 0603 EMI 100MHz 60R			
5111	4822 157 11499	IND FXD 0603 EMI 100MHz 60R			
5112	4822 157 11717	IND FXD 1206 EMI 100MHz 50R			
5115	4822 157 11499	IND FXD 0603 EMI 100MHz 60R			
5116	4822 157 11499	IND FXD 0603 EMI 100MHz 60R			
5117	4822 157 11499	IND FXD 0603 EMI 100MHz 60R			
5118	4822 157 11499	IND FXD 0603 EMI 100MHz 60R			
5119	4822 157 11499	IND FXD 0603 EMI 100MHz 60R			
5122	4822 157 11499	IND FXD 0603 EMI 100MHz 60R			
5123	4822 157 11499	IND FXD 0603 EMI 100MHz 60R			
5124	3198 018 31090	FXD IND SM 0805 10U 10%			
5125	3198 018 31090	FXD IND SM 0805 10U 10%			
5126	4822 157 11499	IND FXD 0603 EMI 100MHz 60R			
5130	2422 543 01393	RES.XTL SM 27MHz 10P CX8045			
5131	3198 018 41880	FXDIND SM 1210 1U8 5%			
5132	3198 018 41880	FXDIND SM 1210 1U8 5%			
5133	3198 018 41880	FXDIND SM 1210 1U8 5%			
5134	3198 018 41880	FXDIND SM 1210 1U8 5%			
5135	3198 018 41880	FXDIND SM 1210 1U8 5%			
5136	3198 018 41880	FXDIND SM 1210 1U8 5%			
5300	4822 157 11499	IND FXD 0603 EMI 100MHz 60R			
5301	4822 157 11499	IND FXD 0603 EMI 100MHz 60R			
5302	4822 157 11499	IND FXD 0603 EMI 100MHz 60R			
5303	4822 157 11499	IND FXD 0603 EMI 100MHz 60R			
5305	4822 157 11499	IND FXD 0603 EMI 100MHz 60R			

Note : Only the parts mentioned in this list are normal service spare parts.

SET MECHANICAL EXPLODED VIEW



Exploded View_3139 119 38411_dd wk0428

MECHANICAL & ACCESSORIES PARTS LIST - MAIN UNIT

0101	3139 254 00791	CABINET FRONT		
0110	3139 254 00761	COVER TRAY		
0121	3139 254 00781	WINDOW DISPLAY RIGHT		
0122	3139 254 00771	WINDOW DISPLAY LEFT	9965 000 25366	SPEAKER BOX LX8300SA FRONT L
0125	3139 254 00841	LIGHTGUIDE IR SENSOR	9965 000 25367	SPEAKER BOX LX8300SA FRONT R
			9965 000 25368	SPEAKER BOX LX8300SA REAR L
			9965 000 25369	SPEAKER BOX LX8300SA REAR R
			9965 000 25370	SPEAKER BOX LX8300SA CENTER
0130	3139 254 00751	BRACKET SUPPORT CONTROL		
0131	3139 254 00741	BUTTON SET FUNC CONTROL		
0132	3139 254 00731	KNOB VOLUME ROTARY	9965 000 25371	PLASTIC STAND (FRONT/REAR SPK BOX)
0165	3139 243 10080	CUSHION FOOT	9965 000 25372	RUBBER FOOT (PLASTIC STAND) 81.4LX8.4W
0231	3139 254 00721	PANEL COVER LEFT	9965 000 25373	RUBBER FOOT (PLASTIC STAND) 81.4LX20.24W
			9965 000 24102	RUBBER FOOT (CENTER)
			9965 000 25374	BRACKET & SCREW PACKING
0232	3139 254 00711	PANEL COVER RIGHT		
0234	3139 254 00701	COVER REAR CABLE		
0325	3139 119 02601	BOX SPK ASSY CS8300LX/01		
0327	3139 119 02541	BOX SPK ASSY SW8300LX/01		
0331	2422 076 00546	CABLE FM AERIAL		
			Note : Only the parts mentioned in this list are normal service spare parts.	
0332	2422 549 45813	ANTENNA AM LOOP		
0332	2422 549 45386	ANTENNA AM LOOP		
0333	3139 258 70051	REMOTE CONTROL		
0336	2422 070 98151	Δ MAINS CORD EUR /01/04		
0336	2422 070 98133	Δ MAINS CORD EUR /01/04		
0336	9965 000 07586	Δ MAINS CORD UK /05		
0336	4822 321 10713	Δ MAINS CORD UK /05		
0342	2422 076 00468	Δ CABLE SCART 1M1 SCART 21P		
1201	3139 118 57721	PCBAS FRONT LX8300SA/01		
1301	3139 118 57851	PCBAS IR/FTD/LED LX8300SA		
1401	3139 118 57861	PCBAS FRONT KEY LX8300SA		
1501	3139 118 57711	PCBAS AV LX8300SA/01		
1801	2422 542 90137	TUN A+F ENG07703Q EUR B		
8230	3139 111 04121	FFC FOIL 30P/120/30P AD		
8240	3139 110 34750	FFC FOIL 05P/080/05P AD		
8260	3139 111 04111	FFC FOIL 09P/100/09PAD 1MMP		
8520	3139 110 04341	FFC 09P/140/09PAD 1MM Folded		
8560	3139 111 04271	FFC FOIL 30P/060/30P BD 1MMP		
8561	3139 111 04321	FFC 30P/220/30P BD 1MM Folded		
8562	3139 111 02421	FFC FOIL 16P/220/16PAD 1MMP		
8580	3139 111 04081	FFC FOIL 11P/60/11P BD		

SCREW LISTS - MAIN UNIT

251	D3 x 8
252	M3 x 6
253	D3 x 8
254	M3 x 6
255	M3 x 6
256	D3 x 8
257	D3 x 8
258	D3 x 8
259	D3 x 8
260	D3 x 8
261	D3 x 8
263	M2.6 x 12
264	M3 x 6
265	M3 x 6
266	M3 x 8
267	M3 x 8
268	D2.9 x 8
269	M3 x 6
271	M3 x 6
272	D2.9 x 8
275	D3 x 10
276	M3 x 8
277	D3 x 10
278	M3 x 8