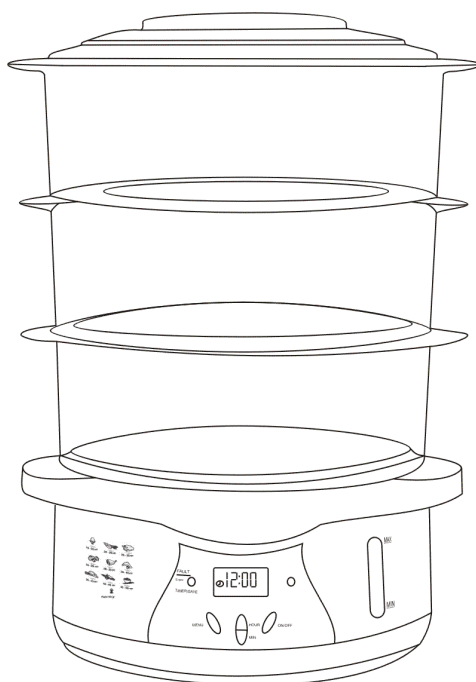


GB	FOOD STEAMER.....	3
RUS	ΠΑΡΟΒΑΡΚΑ.....	5
CZ	PAŤÁK.....	8
BG	УРЕД ЗА ГОТВЕНЕ НА ПАРА.....	11
PL	SZYBKOWAR.....	14
RO	CRATIŢĂ PENTRU FIERT LA ABUR.....	16
UA	ΠΑΡΟΒΑΡΚΑ.....	19
SCG	ЛОНАЦ ЗА КУВАЊЕ ПАРΟΜ.....	22
EST	AURUTI.....	25
LV	TVAIKA KATLS.....	27
LT	GARO VIRYKLĖ.....	30
H	GŐZFŐZŐ.....	32
KZ	БУ ПИСИРГИШИ.....	35
D	DAMPFKOCHTOPF.....	38



GB DESCRIPTION

1. Transparent Lid
2. Top Cooking bowl (optional)
3. Middle Cooking bowl
4. Lower Cooking Bowl (Egg Cooking bowl)
5. Indicator light
6. Water reservoir
7. Drip tray
8. Digital display
9. Water Inlet
10. Cooking instruction on body

BG ОПИСАНИЕ

1. Прозрачен капак
2. Горен съд за пара
3. Среден съд за пара
4. Долен съд за пара
5. Светещ индикатор
6. Резервоар за вода
7. Табла за събиране на конденсата
8. Цифров дисплей
9. Отвор за заливане на вода
10. Рекомендации за готвене на корпуса

UA ОПИС

1. Прозора кришка
2. Верхня парова ємність
3. Середня парова ємність
4. Нижня парова ємність
5. Світловий індикатор
6. Резервуар для води
7. Піддон для збирання конденсату
8. Цифровий дисплей
9. Отвір для наповнення водою
10. Рекомендації по приготуванню на корпусі

LV APRAKSTS

1. Saurspīdīgais vāciņš
2. Augšējā tvaika tīlpne
3. Vidējā tvaika tīlpne
4. Apatējā tvaika tīlpne
5. Gaismas indikators
6. Ūdens rezervuārs
7. Paliktņis kondensāta savākšanai
8. Ciparu displejs
9. Atvērumš ūdens uzpildīšanai
10. Gatavošanas rekomendācijas uz korpusa

KZ СИПАТТАМА

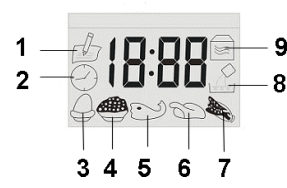
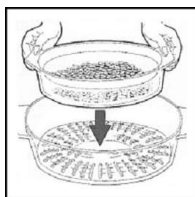
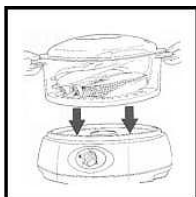
1. Мөлдір қақпақ
2. Жоғарғы булы сиым
3. Орта булы сиым
4. Төменгі булы сиым
5. Жарықты индикатор
6. Суға арналған резервуар
7. Конденсат жинауға арналған тұғырық
8. Цифрлік дисплей
9. Су толтыруға арналған тесік
10. Тұлғадағы даярлау ұсынысы



pic.1



pic.2



pic.3

RUS УСТРОЙСТВО ИЗДЕЛИЯ

1. Прозрачная крышка
2. Верхняя паровая ёмкость
3. Средняя паровая ёмкость
4. Нижняя паровая ёмкость
5. Световой индикатор
6. Резервуар для воды
7. Поддон для сбора конденсата
8. Цифровой дисплей
9. Отверстие для наполнения водой
10. Рекомендации по приготовлению на корпусе

PL OPIS

1. Przezroczysta pokrywa
2. Górny pojemnik parowy
3. Średni pojemnik parowy
4. Dolny pojemnik parowy
5. Wskaźnik świetlny
6. Zbiornik na wodę
7. Podstawka na skropliny
8. Wyświetlacz cyfrowy
9. Otwór do napełnienia wodą
10. Zalecenia dotyczące przyrządzenia potraw na obudowie

SCG ОПИС

1. Провидан поклопац
2. Горња парна чинија
3. Средња парна чинија
4. Доња парна чинија
5. Светлосни индикатор
6. Резервоар за воду
7. Ладица за кондензат
8. Дигитални дисплеј
9. Отвор за пуњење водом
10. Препоруке за кување су назначене на кућишту

LT APRAŠYMAS

1. Permatomas dangtis
2. Viršutinė garo talpa
3. Vidutinė garo talpa
4. Apatinė garo talpa
5. Šviesos indikatorius
6. Vandens rezervuaras
7. Padugnė kondensato surinkimui
8. Skaitmeninis displejus
9. Skylė vandens pripilimui
10. Parošimo rekomendacijos ant korpuso

D GARÄTEBESCHREIBUNG

1. Transparenter Deckel
2. Oberer Dampfbehälter
3. Mittlerer Dampfbehälter
4. Niederer Dampfbehälter
5. Kontrolleuchte
6. Wasserbehälter
7. Kondensationsgefäß
8. Digitaldisplay
9. Öffnung für Wassereinfüllung

CZ POPIS

1. Transparentní poklička
2. Horní parní nádoba
3. Střední parní nádoba
4. Dolní parní nádoba
5. Světelná kontrolka
6. Nádoba na vodu
7. Kondenzátor par
8. Digitální displej
9. Nalévací otvor
10. Praktické rady na tělese spotřebiče

RO DESCRIERE

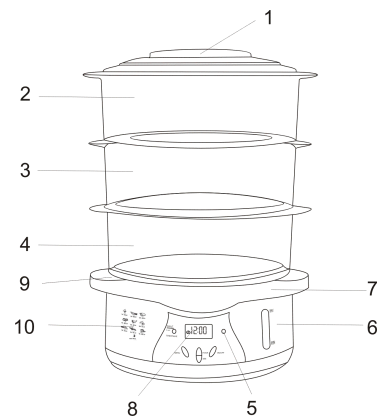
1. Capac transparent
2. Vas mare pentru aburi
3. Vas mediu pentru aburi
4. Vas mic pentru aburi
5. Indicator luminos
6. Rezervor de apa
7. Tava pentru colectarea condensului
8. Display digital
9. Orificiul pentru umplerea cu apa
10. Indicații de preparare de pe carcasa

EST KIRJELDUS

1. Lääbipaistev kaas
2. Ülemine auruanum
3. Keskmine auruanum
4. Alumine auruanum
5. Märgutuli
6. Veereservuaar
7. Kondensvee kogumise alus
8. Digitaalne displei
9. Vee sissevooluava
10. Ettevalmistamise nõuanded korpuse peal

H LEÍRÁS

1. Átlátszó fedő
2. Felső gőztartály
3. Középső gőztartály
4. Alsó gőztartály
5. Jelzőlámpa
6. Víztartály
7. Kondenzvíznek tervezett alátét
8. Digitális képernyő
9. Vízfeltöltő száj
10. A készülékházon található készíítési tanácsok



~ 230V / 50 Hz	1000 W	2.6 / 3.6 kg	
----------------	--------	--------------	--

GB INSTRUCTION MANUAL

IMPORTANT SAFEGUARDS

- Please read these operating instructions carefully in order to avoid damage due to incorrect use and keep it in a safe place for future references.
- Before first switching on check that the voltage indicated on the rating label corresponds to the mains voltage in your home.
- Incorrect operation and improper handling can lead to malfunction of the appliance and injuries to the user.
- For home use only. Do not use for industrial purposes.
- Always unplug the appliance from the power supply when not in use.
- Do not immerse the unit, cord or plug in water or other liquids. If it has happened, remove the plug from the wall socket immediately and an expert should check the unit before using it again.
- Do not operate the appliance if the cord or the plug is damaged or, if the appliance has been otherwise damaged. In such cases take the appliance to a qualified specialist for check up and/or repair if necessary.
- Ensure that the cord does not hang over sharp edges and keep it away from hot surfaces.
- To disconnect appliance from the power supply pull it out by the plug only, not by the cord.
- Place the appliance on a dry stable non-hot surface, away from hot objects (e.g. hotplates); do not place under curtains and shelves.
- You should never leave the appliance not supervised during use.
- Keep the appliance away from children.
- Do not touch hot surface.
- The use of accessory attachments not recommended by the appliance manufacturer may result in fire, electric shock or injury to persons.
- Do not operate the appliance while it is empty or without water in the reservoir.
- The food steamer and components are not for use in ovens (microwave, convection or conventional) or on stove-top.
- Be very careful when moving an appliance containing hot food or water or other hot liquids.
- Lift and open cover carefully to avoid scalding and allow water to drip into bowl.

BEFORE FIRST USE

- Remove any labels or stickers from appliance.
- Wash thoroughly all bowls and detachable parts in warm, soapy water before first use then rinse and dry carefully.
- Wipe inside the water basin with a damp cloth.

INSTANT STEAM FUNCTION (PIC. 1)

- Before cooking, when this sleeve is placed on top of the heating element, the steam function will automatically produce steam in 35 seconds. Please note: On the heating element sleeve, there is a small indentation (cut), which should face downward when placed on the heating element.

HOW TO USE FOOD STEAMER (PIC.2)

- Place the appliance on a flat, sturdy surface.
 - Fill water reservoir with clean water only. Do not put any other liquids or add any salt, pepper and etc. in the water reservoir. Make sure the water should not be above the maximum level or below than minimum level.
 - Place drip tray and bowls on the base
- NOTE:* Water should never be filled below than minimum level.
- Place big pieces of food with longest cooking time in the bottom bowl.
 - You can fill water from the water inlet without moving any steaming bowl. Then place the drip tray on the base.

TO USE UPPER, LOWER STEAMING BOWL

- Place vegetable, seafood or other foods without sauce or liquid into the steaming bowl. Arrange food in center of bowl. Try not to block steam vents.

RICE BOWL

- Place rice or other foods with sauce or liquid in rice bowl. Cover the lid. Plug into wall outlet. Set timer. When time is over, buzzer will ring and indicator light will go out: steamer switched off automatically. Unplug unit and carefully take off bowls.
- Cooking times are estimates and depend on the quantity, size, and required degree of cooking and temperature of food. Consider all the cooking time given in the following guide as suggested times for double tier steamer. For cooking food in three-tier steamer, according to your taste, adjust times accordingly.
- Using two/three bowls you can cook different dishes at the same time. Bear in mind, that flavour and smell of all foods must be compatible, because juice and fat blending can spoil the dishes.
- When handling and removing hot components, use POT-HOLDERS to avoid burns from hot steams.

INTRODUCTION OF DISPLAY (PIC.3)

- Following symbols can be displayed:
 - 1 – save symbol.
 - 2 – delay symbol.

Cooking:

- 3 – eggs cooking symbol (default time is 16 minutes).
 - 4 – rice cooking symbol (default time is 30 minutes).
 - 5 – fish cooking symbol (default time is 15 minutes).
 - 6 – poultry cooking symbol (default time is 25 minutes).
 - 7 – vegetables cooking symbol (default time is 20 minutes).
 - 8 – symbol of water adding necessity.
 - 9 – “keep warm” symbol.
- Plug the power on, rice symbol and “0:30” will be displayed on the digital display (the default time of rice cooking).
 - Cooking instructions on the water basin shows preferable cooking time of different products.

CONTROL PANEL

CONTROL PANEL BUTTONS

- **ON/OFF** – On/Off button.
- **MENU** – food select button.
- **HOUR** – change hour with continuous or discontinuous state.
- **MIN** – change minute with continuous or discontinuous state.
- **TIME/SAVE (RESET 5 sec.)** – timer (reset) / delay / save button.

INSTANT COOKING

- Plug the appliance to the power supply, “0:30” to be displayed on digital display.
- Press on the “**MENU**” button, different kinds of food can be selected circularly and digital display will display the current settings of default time.
- Set necessary time by pressing “**MIN**” or “**HOUR**” buttons (the value can be increased only).
- Press “**ON/OFF**” button. The appliance will start operate with the pilot light come on.
- When cook is over, buzzer rings 3 times, “0:00” symbol and keep warm icon (9) will appear on digital display. System automatically enters “keep warm” mode. During this mode, it heat for 1 minute every 4 minute. The total time of “keep warm” mode is 30 minutes.

NOTE:

- If modify the default cooking time, the save symbol will appear on the digital display when cook is over (1). You can save the current setting by pressing “**TIME/SAVE**” button.

POSTPONEMENT COOKING MODE

- Plug the appliance to the power supply, “0:30” to be displayed on digital display.

- Press the **"MENU"** button, different kinds of food can be selected circularly and digital display will display the default time which the current settings.
- Press **"TIME/SAVE"** button. Then press **"HOUR"** button or **"MIN"** button, the delaying time can be set.
- Press **"ON/OFF"** button to confirm setting. The appliance will begin to operate, the pilot light will come on and clock icon will appear on digital display.
- When the delay time (excluding cooking time) is over, buzzer will ring 3 short times and food steamer will start cooking. The clock icon will be disappeared.

NOTE:

- Displayed on screen time includes delay and cooking time. Example: You want to cook fish and set 25 minutes cooking time. If you want to delay cooking time for 1 hour, press **"TIME/SAVE"** button and set 1 hour 25 minutes total time using **"HOUR"** and **"MIN"** buttons. The system will start to cook after delay time is over (1 hour), and will finish cooking in 1 hour and 25 minutes.

ADDITIONAL TIME OF COOKING

- In the procedure of cooking press the **"TIME/SAVE"** button for 2 seconds, system will enter the pause mode.
- By pressing the **"MIN"** button, cooking time can be changed.
- Press the **"ON/OFF"** button, system go on to cook. If no pressing this button, system will continue to cook after 90 seconds.

ALARM FUNCTION

- If water is over in the water basin while the appliance is in operation, the food steamer can stop working; the adding water icon will flash on.
- After water is added press **"ON/OFF"** button, system will continue the work.

STOP COOKING

- Press the key **"ON/OFF"** for 2 seconds, system will stop cooking and "0:00" value will appear on the digital display.

RESET FUNCTION

- Plug the power on, at the same time press **"TIME/SAVE"** button and retain it for 5 seconds, all data can be recovered to the default settings value.

REHEATING: BREAD AND HALF-PREPARED FOOD

- Do not wrap or cover bread when reheating.
- For half-prepared food, reheating time depends on the foods' freezing temperature.
- When reheating half-prepared food in the rice bowl, put half-prepared food accurately in RICE BOWL and use an aluminum foil to cover.

RICE & GRAINS

- There are many types of rice. Follow specific directions for variety used.
- Accurate measuring of rice and water then combined in rice bowl. Pour specified amount of water in water reservoir. Cover and steam.
- For softer rice, increase 1-2 tablespoons water mixed with rice by the specified amount water on the chart. For firmer rice decrease water mixed with rice by the same amount.
- Check when it should be ready and consistency of rice at minimum time specified for each type, stirring rice at the same time.
- Rice may be seasoned with salt, pepper or butter after steaming.

Type of Rice	Combined in Rice Bowl		Approx. Time (Minutes)
	Amt. Rice	Water	
Brown			
- Regular	½ cup	1 cup	42-45
- Parboiled	1 cup	1 ½ cups	45-50
Long Grain and Wild Rice Mix			
- Regular (6 oz. Pkg.)	Mix	1 ½ cups	56-58
- Quick cooking (1-2 oz. Pkg.)	Mix	1 ¾ cups	18-20
Instant	1 cup	1 ½ cups	12-15
White			
- Regular	1 cup	1 ½ cups	45-50
- Long Grain	1 cup	1 2/3 cups	50-55

VEGETABLES

- Clean the vegetables thoroughly, cut off stems; trim; peel or chop if necessary. Smaller pieces steam faster than larger ones.
- Quantity, quality, freshness and size/uniformity, temperature of frozen food, may affect steam timing. Adjust water amounts and cooking time as desired.
- Frozen vegetables should not be thawed before steaming.
- Some frozen vegetables should placed in the rice bowl and covered with a piece of aluminum foil during steaming.
- The frozen foods should be separated or stirred after 10-12 minutes. Using a long handle fork/spoon to separate or stir foods.

Variety	Weight / or Number Pieces	Approx Time (Minutes)
Asparagus, Spears, Beans	1 pound	12-14
- Green/Wax	½ pound	12-14
- Cut or Whole	1 pound	20-22
Beets	1 pound cut	25-28
Broccoli, Spears	1 pound	20-22
Brussels	1 pound	24-26
Sprouts		
Cabbage	1 pound sliced	16-18
Carrots	1 pound thinly sliced	18-20
Cauliflower-Whole	1 pound	20-22
Corn or Cob	3-5 ears	14-16
Eggplant	1 pound	16-18
Mushrooms, Whole	1 pound	10-12
Peppers, Whole	Up to 4 medium (not stuffed)	12-13
Potatoes, Whole- Red	1 pound-about 6 small	30-32
Spinach	½ pound	14-16
Squash		
- Summer Yellow and Zucchini	1 pound sliced	12-14
Turnips	1 pound sliced	20-22
All Frozen Vegetables	10 oz.	28-50

FISH AND SEAFOOD

- Steaming times listed in the chart are for fresh, or frozen and fully thawed seafood and fish. Clean and prepare fresh seafood and fish before steaming.
- Most fish and seafood cook very quickly. Steam in small portions or in amounts as specified.
- You may steam fish fillets in the RICE BOWL serve steamed seafood and fish with plain or use seasoned butter or margarine, lemon or favorite sauces.
- Adjust steaming times accordingly.

Variety	Weight/Or Number Pieces	Approx. Time (Minute)
Shrimps		
– Medium in shell	1 pound	10-12
– Large/Jumbo in shell	1 pound	16-18
Fish		
– Whole	½ to ¾ pound	10-12
– Dressed	½ to ¾ pound	10-12
– Fillets	1 pound	10-12
– Steaks	1 pound, 1" thick	16-18

MEAT

Variety	Weight/Or Number of Pieces	Approx. Time (Minute)
Beef		
– Chuck	1 pound	28-30
– Hamburger	1 pound	16-18
– Meatballs	1 pound	22-24
Chicken	1 pound	
– Pieces	(2-4 pcs)	24-26
Lamb		
– Cubes	1 pound	26-28
Pork		
– Cubes	1 pound	26-28
Hot Dogs	1 pound	14-18
Pre-Cooked Sausage	1 pound	14-18

EGGS

Variety	Weight/Or Number Pieces	Approx. Time (Minute)
In the shell		
– Soft-Cooked	1-12	15-18
– Hard-Cooked	1-12	19-22
Scrambled		
Beat 6 eggs together and 2 table spoons milk in rice bowl. Season with salt and pepper. Stir eggs half way, thorough cooking.		20-22

CLEAN AND CARE

- Unplug the appliance from the power supply. Before cleaning allow food steamer to cool.
- Empty the drip tray and the water basin.
- If there is small amount of water remain inside the water box, you can just upside down the unit and water will comes out from the water inlet.
- Wash lid, drip tray, bowls in warm, soapy water (or on top rack of dishwasher), rinse and dry all parts.
- Clean water basin with soapy water then wipe with damp cloth.
- Do not use any abrasive cleaners, organic solvents and aggressive liquids.
- The scum may appear on the heating element. If it grows, the steamer could turn off before the food is cooked.
- So, after 7-10 uses, (depending on water hardness) add some recommended descaling agent into the water basin (exactly follow instructions given), then fill water up to maximum level.
- Do not place lid, bowls, rice bowl and drip tray during this procedure.
- Plug in and set timer up to 20 minutes. When the timer will ring, unplug cord from outlet. Allow the unit cool completely before empty the water reservoir. Use the cold water to rinse the water reservoir several times.

STORAGE

- Switch off and unplug the appliance.
- Complete all requirements of chapter CLEANING AND MAINTENANCE.
- Keep the appliance in a dry cool place.

RUS РУКОВОДСТВО ПО ЭКСПЛУАТАЦИИ

МЕРЫ БЕЗОПАСНОСТИ

- Внимательно прочитайте настоящее руководство перед эксплуатацией прибора во избежание поломок при использовании и сохраните его в качестве справочного материала.
- Перед первоначальным включением проверьте, соответствуют ли технические характеристики изделия, указанные на наклейке, параметрам электросети.
- Неправильное обращение может привести к поломке изделия, нанести материальный ущерб и причинить вред здоровью пользователя.
- Использовать только в бытовых целях. Прибор не предназначен для промышленного применения.
- Если устройство не используется, всегда отключайте его от электросети.
- Не погружайте изделие и шнур питания в воду или другие жидкости. Если это случилось, немедленно отключите устройство от электросети и, прежде чем пользоваться им дальше, проверьте работоспособность и безопасность прибора у квалифицированных специалистов.
- Не используйте устройство с поврежденным шнуром питания и вилок, после падения или с другими повреждениями. Для проверки и ремонта обращайтесь в ближайший сервисный центр.
- Следите за тем, чтобы шнур питания не касался острых кромок и горячих поверхностей.
- При отключении прибора от электросети, беритесь за вилку, а не тяните за шнур.
- Устройство должно устойчиво стоять на сухой ровной поверхности. Не ставьте его на горячие поверхности, а также вблизи источников тепла (например, электрических плит), занавесок и под навесными полками.
- Никогда не оставляйте включенный прибор без присмотра.
- Не позволяйте детям использовать прибор без контроля взрослых.
- Не касайтесь горячих поверхностей.
- Во избежание поражения электрическим током и поломки прибора, используйте только принадлежности, входящие в комплект поставки.
- Перед тем как подключать пароварку к электросети, заполните водой резервуар для воды. В противном случае прибор может быть поврежден.
- Не допускается использование емкостей пароварки в микроволновых печах, на электрических или газовых плитах.
- Перемещайте пароварку, с горячей водой или пищей с максимальной осторожностью.
- Открывая крышку работающей пароварки, будьте осторожны, чтобы не обжечься горячим паром. Дайте возможность конденсату, скопившемуся на крышке, стечь обратно в емкость.

ПОДГОТОВКА К РАБОТЕ

- Снимите с прибора все этикетки.
- Перед первоначальным включением тщательно вымойте все емкости и съемные части теплой водой с мылом, как следует промойте и насухо вытрите.
- Протрите резервуар для воды изнутри влажной тканью.

ФУНКЦИЯ “БЫСТРЫЙ ПАР” (РИС. 1)

• Если на нагревательный элемент установить насадку прорезью вниз, пар образуется уже через 35 секунд после включения пароварки.

РАБОТА (РИС. 2)

- Установите пароварку на устойчивую, горизонтальную поверхность.
- Наливайте в резервуар только чистую воду; не допускается использование других жидкостей и пищевых добавок. В резервуаре имеются метки максимального и минимального наполнения: уровень воды должен быть между ними.
- Установите поддон для сбора конденсата и паровые ёмкости на базу.

ВНИМАНИЕ: Не допускайте, чтобы вода в резервуаре опускалась ниже минимального уровня.

- Всегда кладите продукты, которые дольше готовятся (например, более крупные или др.), в нижнюю паровую ёмкость.
- Если во время приготовления оказалось, что воды меньше нормы, её можно долить через отверстие для наполнения, не снимая паровые ёмкости.

ВЕРХНЯЯ, СРЕДНЯЯ И НИЖНЯЯ ПАРОВЫЕ ЁМКОСТИ

- Поместите овощи, морские или другие продукты в центр паровой ёмкости, по возможности стараясь не перекрывать отверстия для пара.

ЧАША ДЛЯ РИСА

- В чашу для риса загрузите рис или другие продукты, добавьте воду, соус, или др. Закройте крышку. Подключите пароварку к электросети. Задайте на таймере время приготовления блюда. По его истечении прозвучит звуковой сигнал, световой индикатор погаснет, и пароварка автоматически выключится. Отключите прибор от электросети и аккуратно снимите паровые ёмкости.
- В рецептах паровой кухни указано приблизительное время приготовления, которое зависит от количества, размеров и желаемой степени готовности продуктов, а также личных вкусов. Предлагаемые режимы предназначены для пароварки с двумя ёмкостями. При работе с тремя ёмкостями время приготовления следует скорректировать.
- Используя две/три паровые ёмкости можно одновременно готовить различные блюда, однако, следует иметь в виду, что приготовляемые продукты должны быть совместимы и сочетаться по запаху, поскольку соки и жир из них будут смешиваться и могут испортить блюда.
- Снимая нагретые ёмкости, входящие в комплект пароварки, будьте осторожны – не обожгитесь горячим паром. Используйте кухонные рукавицы или прихватки.

ПОКАЗАНИЯ ДИСПЛЕЯ (РИС. 3)

На дисплее пароварки могут отображаться следующие символы:

- 1 – сохранение установок.
- 2 – отложенное приготовление.

приготовление:

- 3 – яйца - 16 минут (время по умолчанию)
- 4 - рис - 30 мин.
- 5 – рыба - 15 мин.
- 6 – птица - 25 мин.
- 7 – овощи - 20 мин.
- 8 - недостаток воды в резервуаре.
- 9 - режим подогрева после приготовления.

- При включении пароварка по умолчанию переходит в режим приготовления риса (символ 6; время приготовления - 30 минут; показание дисплея “0:30”).
- На корпусе пароварки имеются рекомендации по приготовлению различных продуктов с указанием времени.

ПАНЕЛЬ УПРАВЛЕНИЯ

КНОПКИ НА ПАНЕЛИ УПРАВЛЕНИЯ

- **ON/OFF** – включение/выключение пароварки.
- **MENU** – выбор режима приготовления.
- **HOUR** – установка часов.
- **MIN** – установка минут.
- **TIME/SAVE (RESET 5 sec.)** – для установки времени приготовления или отмены заданного режима, а также для сохранения новых установок времени приготовления.

УСТАНОВКА ВРЕМЕНИ ПРИГОТОВЛЕНИЯ

- Подключите прибор к электросети, дисплей покажет “0:30”.
- Кнопкой «**MENU**» установите режим обработки в зависимости от вида продукта, при этом на дисплее будет отображаться текущая установка заданного времени приготовления (по умолчанию).
- Кнопкой «**MIN**» или «**HOUR**» установите продолжительность обработки (время можно только увеличивать).
- Для подтверждения начала приготовления нажмите кнопку «**ON/OFF**» При этом загорится световой индикатор.
- По истечении времени приготовления 3 раза прозвучит звуковой сигнал. На дисплее отобразится “0:00” и символ подогрева (9). Пароварка автоматически войдёт в режим подогрева, т.е. через каждые 4 минуты она будет включаться на 1 минуту. Максимальная продолжительность действия этого режима - 30 мин.

ПРИМЕЧАНИЕ:

- Если предустановленное время по умолчанию было изменено, по его истечении на дисплее появится символ (1). Нажав кнопку “**TIME/SAVE**”, Вы сохраните эту установку как новое время по умолчанию.

РЕЖИМ ОТЛОЖЕННОГО ПРИГОТОВЛЕНИЯ

- Подключите прибор к электросети, дисплей покажет “0:30”.
- Кнопкой **MENU** установите режим обработки, в зависимости от вида продукта, при этом на дисплее будет отображаться время приготовления (минимальное по умолчанию).
- Нажмите кнопку **TIME/SAVE**. Кнопками «**HOUR**». и «**MIN**». задайте время, через которое пароварка должна включиться.
- Для подтверждения установки нажмите кнопку **ON/OFF**. При этом загорится световой индикатор и на дисплее появится символ часов.
- По истечении заданного периода (без учёта длительности приготовления) прозвучат три коротких звуковых сигнала и пароварка включится. Символ часов исчезнет с дисплея.

ПРИМЕЧАНИЕ:

- Дисплей показывает полную продолжительность цикла: время приготовления с учетом времени отсрочки. Например, Вы хотите приготовить рыбу и установили продолжительность обработки 25 минут. Если нужно начать готовить её через 1 час, нажмите кнопку **TIME/SAVE**. и установите время 1 час 25 минут с помощью кнопок **HOUR**. и **MIN**. Через час пароварка начнет процесс приготовления.

УВЕЛИЧЕНИЕ ПРОДОЛЖИТЕЛЬНОСТИ ПРИГОТОВЛЕНИЯ

- Во время приготовления нажмите кнопку «**TIME/SAVE**» и удерживайте её в течение 2 секунд. Варка будет приостановлена.
- Кнопкой «**MIN**» добавьте необходимое время.
- Для продолжения обработки нажмите кнопку «**ON/OFF**» Если Вы не подтвердите продление, пароварка через 90 секунд автоматически продолжит приготовление.

ОТКЛЮЧЕНИЕ ПРИ НЕДОСТАТОЧНОМ КОЛИЧЕСТВЕ ВОДЫ

- Если в ходе работы в резервуаре окажется недостаточно воды, пароварка автоматически отключится и на дисплее появится символ недостатка воды.
- После добавления необходимого количества воды нажмите кнопку **ON/OFF** для продолжения процесса приготовления.

ОСТАНОВКА ПРИГОТОВЛЕНИЯ

- Нажмите и удерживайте кнопку **ON/OFF** Пароварка отключится и дисплей покажет “0:00”.

- ОТМЕНА ЗАДАННЫХ УСТАНОВОК
- Для отмены изменений установок по умолчанию, подключите пароварку к электросети, нажмите и удерживайте кнопку **TIME/SAVE (RESET 5 sec.)** в течение 5 секунд.

РАЗОГРЕВ ХЛЕБА И ПОЛУФАБРИКАТОВ

- Разогревая хлеб ничем его не накрывайте.
- Время разогрева полуфабрикатов зависит от температуры их замораживания и хранения.
- При разогреве полуфабрикатов в чаше для риса равномерно разложите их и накройте чашу алюминиевой фольгой.

РИС И КРУПЫ

- В зависимости от сорта риса, его следует готовить по различным режимам.
- В чашу для приготовления риса положите рис и добавьте воды в резервуар согласно рекомендациям. Закройте крышку и включите пароварку.
- Чтобы рис получился более мягким, налейте воды на 1-2 столовые ложки больше, а более твердым – на столько же меньше, чем рекомендуется в таблице.
- Спустя некоторое время после начала приготовления (свое для каждого сорта риса), проверьте густоту и степень готовности риса, одновременно помешивая его.
- К готовому рису можно добавлять различные приправы для изменения его вкуса.

Вид риса	Количество		Время приготовления, (мин.)
	Рис	Вода	
Коричневый			
Обычный	½ чашки	1 чашка	42-45
Пропаренный	1 чашка	1 ½ чашки	45-50
Смесь длинного и канадского риса			
Обычный	170 г	1 ½ чашки	56-58
Быстрого приготовления	190 г	1 ¾ чашки	18-20
Быстрого приготовления	1 чашка	1 ½ чашки	12-15
Белый			
Обычный	1 чашка	1 ½ чашки	45-50
Длинный	1 чашка	1 2/3 чашки	50-55

ОВОЩИ

- Тщательно вымойте овощи. Удалите корешки, и, при необходимости, снимите кожицу.
- Продолжительность приготовления зависит от количества, свежести и предварительной обработки продуктов. При необходимости время приготовления можно изменять.
- Не рекомендуется предварительно размораживать замороженные овощи.
- При приготовлении овощей в чаше для риса, их необходимо накрывать фольгой, чтобы предотвратить попадание излишней влаги.
- Спустя 10-12 минут после начала приготовления замороженные продукты необходимо перемешать.

Свежие овощи	Вес, г / шт.	Примерное время приготовления, (мин)
Спаржа	450	12-14
Бобовые:		
– Зеленые/восковой зрелости	225	12-14
– Целые или дробленые	450	20-22
Свекла (нарезанная)	450	25-28
Брокколи	450	20-22
Брюссельская капуста	450	24-26
Белокочанная капуста (нарезанная)	450	16-18
Морковь (тонко нарезанная)	450	18-20
Цветная капуста	450	20-22
Кукуруза	3-5 початков	14-16
Баклажаны	450	16-18
Грибы (целые)	450	10-12
Перец (целый, без семян)	До 4-х штук среднего размера	12-13
Картофель (целый, розовый)	До 450 (примерно, 6 маленьких клубней)	30-32
Шпинат	225	14-16
Кабачки		
– Желтые или Цуккини (нарезанные)	50	12-14
Репка (нарезанная ломтиками)	450	20-22
Замороженные овощи	300	28-50

РЫБА И МОРЕПРОДУКТЫ

- Время приготовления свежих или замороженных и полностью размороженных морепродуктов и рыбы указано в таблице. Рыбу и морепродукты следует предварительно почистить и подготовить.
- Для приготовления большинства видов рыбы и морепродуктов требуется немного времени. Рекомендуется готовить их небольшими порциями.
- Филе рыбы можно готовить в чаше для риса как с добавлением масла, маргарина, лимона и различных соусов, так и без них.
- Корректируйте время приготовления в соответствии с требованиями рецепта и в зависимости от предварительной обработки продуктов.

Продукт	Вес, г / кол-во	Примерное время приготовления (мин.)
Креветки (в панцирях)		
– Средние	450	10-12
– Большие	450	16-18
Рыба		
– Целая	225-340	10-12
– Разделанная	225-340	10-12
– Филе	450	10-12
– Нарезанная кусочками	450 (~2,5 см толщиной)	16-18

МЯСО

Продукт	Вес, г / кол-во	Примерное время приготовления (мин.)
Говядина		
– Лопатка	450	28-30
– Рубленые бифштексы	450	16-18
– Тефтели	450	22-24
Куры	450	
– Разделанные	2-4 кусочка	24-26
Баранина		
– Нарезанная кусочками	450	26-28
Свинина		
– Нарезанная кусочками	450	26-28
Сосиски	450	14-18
Готовые колбасы	450	14-16

ЯЙЦА

Продукт	Вес (г)/кол-во	Примерное время приготовления (минуты)
В скорлупе		
– Для варки всмятку	1-12 штук	15-18
– Для варки вкрутую	1-12 штук	19-22
Омлет		
Разбейте в чашу для риса 6 яиц и добавьте 2 столовые ложки молока, соль и перец по вкусу. Через 10-12 минут перемешайте яйца.		20-22

ОЧИСТКА И УХОД

- Отключите пароварку от электросети и дайте ей полностью остыть
- Вылейте воду из поддона для сбора конденсата и резервуара для воды.
- Остатки воды можно слить через отверстие для наполнения, перевернув пароварку.
- Вымойте крышку, поддон и все ёмкости тёплой водой с мылом (можно на верхней полке посудомоечной машины), тщательно ополосните и высушите.
- Вымойте резервуар тёплой водой с мылом, тщательно ополосните и насухо вытрите.
- Не допускается использование абразивных чистящих средств, органических растворителей и агрессивных жидкостей.
- Через некоторое время на нагревательном элементе может образоваться накипь, вследствие чего пароварка будет отключаться раньше, чем продукты успеют приготовиться.
- Через 7-10 варок (в зависимости от жёсткости воды) добавьте в резервуар рекомендуемое средство для удаления накипи (точно выполняйте инструкции на упаковке) и наполните его водой до максимального уровня.
- При очистке нагревательного элемента от накипи не устанавливайте на резервуар ёмкости для продуктов и не накрывайте его крышкой.
- Подключите пароварку к электросети. Установите таймер примерно на 20 минут. После выключения пароварки (по таймеру) отключите её от электросети. Перед сливом воды дайте нагревательному элементу полностью остыть. Несколько раз промойте нагревательный элемент и резервуар холодной водой и насухо протрите.

ХРАНЕНИЕ

- Перед хранением убедитесь, что прибор отключен от электросети и полностью остыл.
- Выполните требования раздела ОЧИСТКА И УХОД.
- Храните прибор в сухом прохладном месте.

NÁVOD K POUŽITÍ

BEZPEČNOSTNÍ POKYNY

- Pro zamezení poruch si tento Návod k použití pečlivě přečtěte a uschovejte jej jako informační příručku.
- Před prvním použitím spotřebiče zkontrolujte, zda technické údaje uvedené na nálepce odpovídají parametrům elektrické sítě.
- Nesprávné manipulace se spotřebičem mohou vést k jeho poruchám anebo způsobit škodu na majetku nebo zranění uživatele.
- Používejte pouze v domácnosti v souladu s Návodem k použití. Spotřebič není určen pro průmyslové účely.
- Vždy vytáhněte zástrčku ze zásuvky v případě, že elektrický přístroj nepoužíváte.
- Pro zamezení úrazu elektrickým proudem a požáru neponořujte přístroj do vody nebo jiných tekutin. Stane-li se takto, okamžitě odpojte spotřebič od elektrické sítě a než ho budete používat dále se obraťte na Servisní středisko pro kontrolu provozuschopnosti a bezpečnosti.
- Nepoužívejte přístroj s poškozeným síťovým kabelem nebo zástrčkou, a také po tom, co spadl nebo byl poškozen jakýmkoliv jiným způsobem. Pro kontrolu a případnou opravu se obraťte na nejbližší servisní středisko.
- Dávejte pozor a chraňte síťový kabel před ostrými hranami a horkem.
- Při vytažování síťového kabelu jej uchopte za zástrčku a netahejte za kabel.
- Spotřebič musí pevně stát na suchém rovném povrchu. Nestavte spotřebič na horké povrchy, a také v blízkosti zdrojů tepla (například elektrických sporáků), záclon a pod závěsnými policemi.
- Nenechávejte zapnutý spotřebič bez dozoru.
- Nedovolujte, aby děti používaly spotřebič bez dozoru.
- Nesáhejte na horké povrchy.
- Pro zamezení úrazu elektrickým proudem a poruch spotřebiče používejte výhradně příslušenství z dodávky.
- Než zapojíte parní hrnec do elektrické sítě, naplňte nádobu na vodu. Jinak by mohlo dojít k poškození spotřebiče.
- Nepoužívejte nádoby parního hrnce v mikrovlnkách, na elektrických nebo plynových sporácích.
- Přenášejte parní hrnec s horkou vodou nebo pokrmem maximálně opatrně.
- Pokud chcete otevřít pokličku parního hrnce za provozu, buďte opatrní, abyste se nepopálili horkou párou. Počkejte až kondenzát z pokličky steče zpátky do nádoby.

PŘÍPRAVA K PROVOZU

- Odlepte od spotřebiče všechny nálepky.
- Před prvním zapnutím pečlivě umyjte všechny nádoby a snímatelné části teplou mýdlovou vodou a utřete je do sucha.
- Vyřete nádobu na vodu vlhkým hadrem.

FUNKCE "RYCHLÁ PÁRA" (OBRÁZEK 1)

- Nastavíte-li na topné těleso nástavec otvorem dolů, pára se začne vytvářet již za 35 vteřin po zapnutí parního hrnce.

PROVOZ (OBRÁZEK 2)

- Postavte parní hrnec na pevný vodorovný povrch.
- Nalévejte do nádoby na vodu pouze čistou vodu, nepoužívejte jiné tekutiny a přísady. Na nádobě jsou ukazatele minimální a maximální hladiny vody: úroveň vody musí být mezi nimi.
- Nastavte na základně kondenzátor par a parní nádoby.
- **UPOZORNĚNÍ:** Dbejte na to, aby hladina vody v nádobě neklesala pod minimální úroveň.
- Vždy dávejte pokrm, který se vaří déle (například větší nebo jiné), do dolní parní nádoby.
- Stane-li se během přípravy pokrmů, že je vody méně než je třeba, můžete ji dolít nalévacím otvorem, parní nádoby při tom není třeba snímat.

HORNÍ, STŘEDNÍ A DOLNÍ PARNÍ NÁDOBY

- Dejte zeleninu, mořské plody a jiné pokrmy na střed parní nádoby, snažte se nepřekrývat parní otvory.

MÍSA NA RÝŽI

- V nádobu na rýži dejte rýži nebo jiné pokrmy, přidejte vodu, omáčku nebo jiné. Zavřete pokličku. Zapojte parní hrnec do elektrické sítě. Zvolte na časovém spínači dobu přípravy pokrmů. Po její ukončení uslyšíte zvukový signál, světelný ukazatel zhasne a parní hrnec se automaticky vypne. Odpojte spotřebič od elektrické sítě a pečlivě sejměte parní nádobu.
- V receptech vaření na páře je uvedena přibližná doba vaření, která závisí na množství, velikosti a požadované míře připravenosti pokrmů, a také na osobních preferencích. Režimy, které nabízíme, jsou určeny pro vaření v parním hrnci s dvěma parními nádobami. Při používání tří nádob musíte dobu vaření upravit.
- Používáte-li dvě/tři parní nádoby, můžete současně připravovat různá jídla, musíte však pamatovat na to, že potraviny musí být slučitelné a pojit se podle chuti, protože se šťáva a tuk z nich budou mísit a mohou pokazit jídla.
- Až budete snímat horké nádoby, buďte opatrní, mohli byste se popálit horkou párou. Používejte kuchyňské rukavičky nebo příchytky.

ÚDAJE NA DISPLEJI (OBRÁZEK 3)

- Na displeji parního hrnce se mohou zobrazovat tyto symboly:
 - 1 – zachování nastavení.
 - 2 – odložená úprava.

příprava:

- 3 – vejce - 16 minut (předvolená doba)
 - 4 – rýže - 30 min.
 - 5 – ryba - 15 min.
 - 6 – drůbež - 25 min.
 - 7 – zelenina - 20 min.
 - 8 – nedostatek vody v nádobě na vodu.
 - 9 – režim ohřátí po přípravě.
- Po zapnutí parní hrnce začne vařit v režimu úpravy rýže (symbol 6; doba přípravy - 30 minut; údaje na displeji "0:30").
 - Na tělese parního hrnce jsou praktické rady přípravy různých pokrmů s uvedením doby přípravy.

OVLÁDACÍ PANEĽ

TLAČÍTKA NA OVLÁDACÍM PANEĽU

- **ON/OFF** – zapnutí/vypnutí parního hrnce.
- **MENU** – volba režimu přípravy.
- **HOURL** – nastavení hodin.
- **MIN** – nastavení minut.
- **TIME/SAVE (RESET 5 sec.)** – Pro nastavení doby přípravy nebo zrušení režimu, a také pro zachování nových nastavení doby přípravy.

NASTAVENÍ DOBY PŘÍPRAVY

- Zapojte spotřebič do elektrické sítě, na displeji se objeví "0:30".
- Pomocí tlačítka «**MENU**» nastavte režim přípravy vzhledem k druhu pokrmu, při tom se na displeji zobrazí nýnější nastavení doby přípravy (předvolená).
- Pomocí tlačítka «**MIN**» nebo «**HOURL**» nastavte dobu přípravy pokrmů (dobu můžete pouze prodlužovat).
- Pro potvrzení začátku přípravy stiskněte tlačítko «**ON/OFF**». Při tom se rozsvítí světelný ukazatel.
- Po ukončení doby přípravy třikrát zazní zvukový signál. Na displeji se objeví "0:00" a symbol ohřívání (9). Parní hrnec se začne automaticky ohřívát, tj. se po každých 4 minutách bude vypínat na 1 minutu. Maximální provozní doba tohoto režimu je 30 min.

POZNÁMKA:

- Pokud předvolená doba byla změněna, po její ukončení se na displeji objeví symbol (1). Stiskněte tlačítko "TIME/SAVE" a zachováte tento pokyn coby nová předvolená doba.

REŽIM ODLOŽENÉ PŘÍPRAVY

- Zapojte spotřebič do elektrické sítě, na displeji se objeví "0:30".
- Pomocí tlačítka «**MENU**» nastavte režim přípravy vzhledem k druhu pokrmu, při tom se na displeji zobrazí doba přípravy (minimální předvolená doba).
- Stiskněte tlačítko **TIME/SAVE**. Pomocí tlačítek «**HOURL**» a «**MIN**» nastavte dobu, za niž se parní hrnec vypne.
- Pro potvrzení nastavení stiskněte tlačítko **ON/OFF**. Při tom se rozsvítí světelný ukazatel a na displeji se objeví symbol hodinek.
- Po ukončení požadované doby (beze vzhledu na délku přípravy) uslyšíte tři krátké zvukové signály a parní hrnec se vypne. Symbol hodinek zmizí z displeje.

POZNÁMKA:

- Na displeji se uvádí úplná délka cyklu: doba přípravy vzhledem k odložené době. Například chcete připravit rybu a nastavili jste dobu přípravy 25 minut. Máte-li ji začít vařit za 1 hodinu, stiskněte tlačítko TIME/SAVE a nastavte dobu 1 hodina 25 minut pomocí tlačítek HOURL a MIN. Za hodinu parní hrnec začne vařit.

PRODLOUŽENÍ DOBY PŘÍPRAVY POKRMŮ

- Během doby přípravy stiskněte tlačítko «**TIME/SAVE**» a tlačte na ni během 2 vteřin. Vaření se zastaví.
- Pomocí tlačítka «**MIN**» přidejte potřebnou dobu.
- Pro pokračování vaření stiskněte tlačítko «**ON/OFF**». Pokud nepotvrdíte prodloužení, parní hrnec za 90 vteřin automaticky bude vařit dále.

VYPNUTÍ PŘI NEDOSTATKU VODY

- Pokud se za provozu ukáže, že v nádobě na vodu není dostatečné množství vody, parní hrnec se automaticky vypne a na displeji se objeví symbol nedostatku vody.
- Po přidání potřebného množství vody stiskněte tlačítko **ON/OFF** pro pokračování vaření.

ZASTAVENÍ PŘÍPRAVY POKRMŮ

- Stiskněte tlačítko **ON/OFF** a tlačte na ni. Parní hrnec se vypne a na displeji se objeví "0:00".

ZRUŠENÍ PŘEDVOLENÉHO NASTAVENÍ

- Pro zrušení předvoleného nastavení zapojte parní hrnec do elektrické sítě, stiskněte tlačítko **TIME/SAVE (RESET 5 sec.)** a tlačte na něj asi 5 vteřin.

OHŘÍVÁNÍ CHLEBA A POLOTOVARŮ

- Při ohřívání ničím nezakrývejte chléb.
- Doba ohřátí polotovarů závisí na teplotě jejich zmrazení a uschovávání.
- Při ohřívání polotovarů v míse na rýže je rovnoměrně položte a zakryjte mísu alobalem.

RÝŽE A KROUPY

- Vzhledem k druhu rýže máte ji připravovat podle různých režimů.
- Do nádoby na rýži dejte rýži a přidejte vodu do nádoby na vodu podle doporučení. Zavřete pokličku a zapněte parní hrnec.
- Aby rýže byla měkká, nalijte o 1-2 lžičce vody více, a aby byla tvrdší – o stejné množství vody méně, než je to doporučeno v tabulce.
- Za nějakou dobu po začátku vaření (svoje pro každý druh rýže) přezkontrolujte houšťku a míru hotovosti rýže a promíchejte ji.

K hotové rýži můžete přidat různé přísady, aby se změnila její chuť.

Druh rýže	Množství		Doba přípravy, (min.)
	Rýže	Voda	
Hnědá			
Obyčejná	½ šálku	1 šálek	42-45

Spařená	1 šálek	1 ½ šálku	45-50
Směs dlouhé a kanadské rýže			
Obyčejná	170 g	1 ½ šálku	56-58
Pro rychlé vaření	190 g	1 ¼ šálku	18-20
Pro rychlé vaření	1 šálek	1 ½ šálku	12-15
Bílá			
Obyčejná	1 šálek	1 ½ šálku	45-50
Dlouhá	1 šálek	1 2/3 šálku	50-55

ZELENINA

- Dobře umyjte zeleninu. Odstraňte kořínky a podle potřeby slupku.
- Doba přípravy závisí na množství a předběžní přípravě pokrmů. Podle potřeby můžete měnit dobu přípravy.
- Nedoporučujeme, abyste předem rozmrazovali mraženou zeleninu.
- Při přípravě zeleniny v nádobě na rýži, je třeba je zakrýt alobalem, aby se tam nedostala zbytečná voda.
- Po 10-12 minutách po začátku vaření je třeba mražené potraviny promísit.

Čerstvá zelenina	Váha, g / ks	Přibližná doba přípravy, (min.)
Chřest	450	12-14
Luštěniny:		
– Zelené/voskové zralosti	225	12-14
– Celé nebo drcené	450	20-22
Řepa (nakrájená)	450	25-28
Brokolice	450	20-22
Bruselská kapusta	450	24-26
Bílé zelí (nakrájená)	450	16-18
Mrkev (jemně nakrájená)	450	18-20
Květák	450	20-22
Kukuřice	3-5 klasů	14-16
Lilek	450	16-18
Houby (celé)	450	10-12
Paprika (celá, bez semínek)	Max. 4 kusy střední	12-13
Brambory (celé, růžové)	Do 450 (asi 6 menších brambor)	30-32
Špenát	225	14-16
Kabačky		
– Žluté nebo cukety (nakrájené)	50	12-14
Vodní řepa (nakrájená na plátky)	450	20-22
Mražená zelenina	300	28-50

RYBA A MOŘSKÉ PLODY

- Doba přípravy čerstvých nebo mražených a úplně rozmražených mořských plodů a ryby je uvedena v tabulce. Rybu a mořské plody je třeba nejdříve očistit a připravit.
- Pro přípravu většiny druhů ryb a mořských plodů není třeba více času. Doporučujeme, abyste je připravovali menšími porcemi.
- Rybí filé můžete vařit v nádobě na rýži s přidáním másla, margarínu, citronu, různých omáček a také bez nich.
- Upravte dobu přípravy podle pokynů receptu a podle předběžné úpravy potravin.

Potraviny	Váha, g / množství	Přibližná doba přípravy, (min.)
Krevety (v krunýřích)		
– Střední	450	10-12
– Velké	450	16-18
Ryba		
– Celá	225-340	10-12
– Rozdělená	225-340	10-12
– Filé	450	10-12
– Nakrájená na kousky	450 (tloušťka ~2,5 cm)	16-18

MASO

Potravina	Váha, g / množství	Přibližná doba přípravy, (min.)
Hovězí		
– Panenka	450	28-30
– Mleté bifteky	450	16-18
– Těštěly	450	22-24
Kuřecí		
– Rozdělené	2-4 kousky	24-26
Skopové		
– Nakrájené na kousky	450	26-28
Vepřové		
– Nakrájené na kousky	450	26-28
Párky	450	14-18
Salám	450	14-16

VEJCE

Potraviny	Váha (g)/ množství	Přibližná doba přípravy, (min.)
V skořápkách		
– Pro vaření naměkko	1-12 ks	15-18
– Pro vaření natvrdo	1-12 ks	19-22
Omeleta		
Vyklepněte do nádoby na rýži 6 vajec a přidejte 2 lžíce mléka, sůl a pepř. Za 10-12 minut vejce promíchejte.		20-22

ČISTĚNÍ A ÚDRŽBA

- Odpojte parní hrnec od elektrické sítě a nechte jej, aby úplně vychladl.
- Vylijte vodu z kondenzátoru par a nádoby na vodu.
- Zbytek vody můžete vylít nalévacím otvorem.
- Umyjte pokličku, podstavec a všechny nádoby teplou vodou s mýdlem (můžete na horní polici myčky na nádobí), dobře je opláchněte a osušte.
- Vymyjte nádobu na vodu teplou vodou mýdlem, potom ji dobře opláchněte a utřete do sucha.
- Nepoužívejte brusné čisticí prostředky, organická rozpouštědla a útočné tekutiny.
- Za nějakou dobu se na topném tělese objeví usazeniny a kvůli tomu se parní hrnec bude vypínat dříve, než se pokrmy uvaří.

- За 7-10 ваření (to závisí na tvrdosti vody) přidejte do nádoby na vodu doporučený prostředek na odstraňování usazenin (Přesně sledujte návod na obalu) a nalijte vodu do maximální úrovně.
- Při odstranění usazenin z topného tělesa nemontujte na něj nádoby na potraviny a nezakrývejte pokličkou.
- Zapojte parní hrnec do elektrické sítě. Nastavte časový spínač asi na 20 minut. Po vypnutí parního hrnce (podle časového spínače) jej odpojte od elektrické sítě. Než budete vylévat vodu, počkejte, až topné těleso úplně vychladne. Několikrát propláchněte topné těleso a nádobu studenou vodou a utřete je do sucha.

SKLADOVÁNÍ

- Před čištěním překontrolujte, zda je spotřebič odpojen od elektrické sítě a úplně vychladl.
- Splňte pokyny části ČIŠTĚNÍ A ÚDRŽBA.
- Skladujte spotřebič v suchém a chladném místě.

BG РЪКОВОДСТВО ЗА ЕКСПЛОАТАЦИЯ

ПРАВИЛА ЗА БЕЗОПАСНОСТ

- За да използвате уреда правилно, прочетете внимателно Ръководството за експлоатация и го запазете по-нататък при възникване на евентуални въпроси.
- Преди да използвате изделиято за пръв път проверете, дали посочените технически характеристики на уреда съответстват с гаранцията във Вашата мрежа.
- Неправилна експлоатация на уреда може да доведе до неизправности в работата му или да причини здравословни щети.
- Изделието е предназначено само за домашна употреба. Уредът не е за промишлено използване.
- Винаги изключвайте уреда от контакт, ако не го ползвате.
- Не потапяйте уреда или кабела във вода или други течности. Ако това се е случило, не го пипайте, а първо изключете от контакт, изцяло го изсушете и проверете работата му в квалифициран сервизен център.
- Не експлоатирайте изделиято с повреден кабел или щепсел, а също така след падане на изделиято или след други повреди. За проверка на работата му или ремонт обърнете се в най-близкия квалифициран сервиз.
- Следете, кабелът да не докосва горещи повърхности и остри предмети.
- Като изключвате уреда, не дърпайте кабела, а изтеглете щепсела от контакт.
- Изделието трябва да стои върху суха равна повърхност. Не го слагайте върху горещи повърхности, а също така близо до излъчващи топлина устройства (например, печки), пердетата и под рафтове.
- Никога не оставяйте включения уред без надзор.
- Не позволявайте децата да ползват уреда без да има някой възрастен до тях.
- Не докосвайте горещи повърхности.
- С цел предотвратяване на токов удар или неизправности и повреди на уреда, използвайте само съставните части от комплекта.
- Преди да включвате уреда в контакт, напълнете резервоара за вода. Иначе изделиято може да се развали.
- В никакъв случай не ползвайте съдове на уреда в микровълнови печки, не ги слагайте на котлони или във фурни.
- Ако в уреда има гореща вода или храна, много внимавайте, когато го премествате.
- Като отваряте капака по време на работа на уреда, внимавайте да не се опарите. Нека кондензатът, който е попаднал на капака да изтече обратно в уреда.

ПОДГОТОВКА ЗА ЕКСПЛОАТАЦИЯ

- Свалете всички лепенки от уреда.
- Преди да използвате уреда за пръв път, измийте добре всичките съдове и свалящи се части с топла вода и препарат, после ги изплакнете и забършете.
- Забършете резервоара за вода отвътре със влажно парцалче.

ФУНКЦИЯ "БЪРЗА ПАРА" (РИС.1)

- Ако върху нагревателния елемент ще сложите наставката с прорез отдолу, то парата ще се образува вече след 35 секунди от включване на уреда.

ЕКСПЛОАТАЦИЯ НА УРЕДА (РИС.2)

- Поставете уреда върху устойчива хоризонтална повърхност.
- Сипвайте в резервоара само чиста вода, не допускайте използване на други течности и хранителни добавки. В резервоара има означения за максимално и минимално запълване: нивото на вода трябва да се намира между тях.
- Сложете таблата за събиране на кондензата и съдовете за пара върху блока.

ВНИМАНИЕ: Не допускайте, водата в резервоара да бъде по-малко от максимално ниво.

- Продуктите, които изискват по-дълго време за приготвяне (например, по-едри или др.), винаги слагайте в долния съд за пара.
- Ако по време на приготвяне се окаже, че количеството на вода в уреда е по-малко от необходимото, тогава можете да я досипете чрез отвора за заливане, без да сваляте съдовете за пара.

ГОРНИЯТ, СРЕДНИЯТ И ДОЛНИЯТ СЪД ЗА ПАРА

- Сложете зеленчуци, морски деликатеси и други продукти в центъра на съда за пара. По възможност внимавайте да не блокирате с продукта отвори за пара.

ЧАША ЗА ОРИЗ

- В чаша за ориз сложете ориз или други продукти, сипете вода, сос или др. Затворете капака. Включете уреда в контакт. Поставете на таймера определено време за приготвяне. Когато то ще изтече, ще прозвучи звуков сигнал, индикаторът ще изгасне и уредът ще се изключи автоматично. Изключете изделиято от контакт и внимателно свалете чашите за пара.
- В рецепти за готвене на пара се посочва приблизително време за приготвяне на продукта, което се изчислява въз основа на количество, размери и необходима степен на приготвяне, а също така се взима предвид и индивидуални вкусове. Предлагани режими са предназначени за уреда с два съда за пара. При експлоатация на три съда за пара времето за приготвяне на продукта трябва да се коригира.
- Като използвате два/три съда за пара можете едновременно да пригответе различни продукти. Обаче трябва да имате предвид, че тези храни трябва да бъдат съвместими една с друга и да се съчетават и техни миризми, защото мазнина и сокове от тях ще се смесват по време на готвене и могат да развалят вкуса на продуктите.
- Внимавайте да не се опарите. Използвайте специални кухненски ръкавици или ръкохватки.

ПОКАЗАНИЯ НА ДИСПЛЕЯ (РИС.3)

- Върху дисплея на уреда могат да се изписват следните символи:
 - 1 – съхраняване на настройките.
 - 2 – отложено приготвяне.

приготвяне:

- 3 – яйца - 16 минути (условно)
- 4 - рис - 30 мин.
- 5 – риба - 15 мин.
- 6 – птиче месо - 25 мин.
- 7 – зеленчуци - 20 мин.
- 8 – недостиг на вода в резервоара.
- 9 - режим на затопляне след основно приготвяне.
- При включване уредът (условно) преминава в режим за приготвяне на ориз (символ 6; време за приготвяне - 30 минути; показание на дисплея е "0:30").

- Върху корпуса на уреда има препоръки за приготвяне на различни продукти, посочено също така и време за приготвяне.

ПАНЕЛА НА УПРАВЛЕНИЕ

БУТОНИ

- **ON/OFF** – включване/изключване на уреда.
- **MENU** – избор на режима за приготвяне.
- **HOURL** – регулиране на часове.
- **MIN** – регулиране на минути.
- **TIME/SAVE (RESET 5 sec.)** – за регулиране на времето за приготвяне или отмяна на зададения режим, а също така за съхраняване на нови временни показатели при приготвяне.

РЕГУЛИРАНЕ НА ВРЕМЕ ЗА ПРИГОТВЯНЕ

- Включете уреда в контакт, върху дисплея ще се изпише "0:30".
- С помощта на бутона «**MENU**» нагласете съответния режим за обработване в съответствие с вида на продукта, при това върху дисплея ще се показва установка на зададено време на обработване (условно).
- С бутоните «**MIN**» или «**HOURL**» нагласете времетраене на обработване (можете само да увеличавате времето).
- За потвърждаване на започване на готвене натиснете бутона «**ON/OFF**». При това ще се включи светещият индикатор.
- След изтичане на времето за приготвяне 3 пъти ще прозвучи звуковия сигнал. Върху дисплея ще се изпише "0:00" и символът на затопляне (9). Уредът ще се включи автоматически в режима на затопляне, т.е. след всеки 4 минути уредът ще се включва за 1 минута. Максимално времетраене на този режим ще бъде - 30 мин.

ЗАБЕЛЕЖКА:

- Ако условно нагласено време е било променено, тогава след изтичането му върху дисплея ще се появи символът (1). Като натиснете бутона «**TIME/SAVE**», Вие ще запазите това време като нова първоначална установка).

РЕЖИМ ЗА ОТЛОЖЕНО ПРИГОТВЯНЕ

- Включете уреда в контакт, върху дисплея ще се изпише "0:30".
- С помощта на бутона **MENU** нагласете режим на работа, в зависимост от вида на продукта, при това върху дисплея ще се покаже време за приготвяне (условно -- минимално).
- Натиснете бутона **TIME/SAVE**. С помощта на бутоните «**HOURL**» и «**MIN**» регулирайте време, чрез което уредът трябва да се изключи.
- За потвърждаване на установката натиснете бутона **ON/OFF**. При ще се включи светещият индикатор и върху дисплея ще се появи символът на часовника.
- След изтичане на даден период (без да има предвид времетраене на приготвяне на продукта) ще прозвучат три къси звукови сигнала и уредът ще се включи. Символът на часовника ще излезне от дисплея.

ЗАБЕЛЕЖКА:

- Дисплеят показва пълна продължителност на цикла: време за приготвяне и време за допълнително изчакване.. Например, Вие искате да приготвяте риба и сте нагласили времетраене на работа на уреда 25 минути. Ако трябва да започнете да я приготвяте след 1 час, натиснете бутона **TIME/SAVE**. и установете време 1 час 25 минути с помощта на бутоните **HOURL** и **MIN**. След един час уредът ще започне процеса на приготвяне.

УДЪЛЖАВАНЕ НА ВРЕМЕ ЗА ПРИГОТВЯНЕ

- По време на приготвяне натиснете бутона «**TIME/SAVE**» и го удържайте така в продължение на 2 секунди. Приготвянето ще бъде спряно.
- С помощта на бутона «**MIN**» добавете необходимо време.
- За продължаване на приготвяне натиснете бутона «**ON/OFF**» Ако Вие няма да потвърдите продължаване на работа на уреда, той ще започне да работи автоматически след 90 секунди.

ИЗКЛЮЧВАНЕ ПРИ НЕДОСТИГ НА ВОДА

- Ако по време на експлоатация на уреда в резервоара няма достатъчно количество вода, изделието ще се изключи автоматически и върху дисплея ще се изпише символът за недостиг на вода.
- След добавяне на необходимо количество вода, натиснете бутона **ON/OFF** за да продължите работа на уреда.

СПИРАНЕ НА ПРИГОТВЯНЕ

- Натиснете и удържайте бутона и **ON/OFF** Уредът ще се изключи и върху дисплея ще се изпише "0:00".

ОТМЯНА НА ЗАДАДЕНИ ПРОГРАМИ

- За отмяна на промени при условни режими включете уреда в контакт, натиснете и дръжте бутона **TIME/SAVE (RESET 5 sec.)** така в продължение на 5 секунди.

ЗАТОПЛЯНЕ НА ХЛЯБ И ПОЛУФАБРИКАТИ

- Като затопляте хляба, не го покривайте с нищо.
- Време за затопляне на полуфабрикати зависи от степента на тяхно замразяване и температура на съхраняването им.
- При затопляне на полуфабрикати в чашата за ориз, равномерно ги разложете там и затворете чашата с алуминиево фолио.

ОРИЗ И НАСИПНИ ЗЪРНЕНИ ХРАНИ

- В зависимост от сорта на ориз, той трябва да се приготвя в различни режими.
- В чашата за приготвяне на ориза сипете продукта, а също така и вода в резервоара, според както е препоръчано. Затворете капака и включете уреда.
- Ако искате оризът да се получи по-мек, сложете с 1-2 супени лъжици повече вода, а за по-твърд ориз – с толкова количество вода по-малко, колкото е препоръчано в таблицата.
- След известно време (индивидуално за всеки вид ориз), като сте започнали да готвите, проверете гъстота и степен на приготвяне на продукта, като същевременно внимателно го разбърквате.
- В готов ориз можете да сложите различни подправки за да подобрите вкуса му.

Вид ориз	Количество		Време за приготвяне, (мин.)
	Рис	Вода	
КАФЯВ			
– Обикновен	½ чаша	1 чаша	42-45
– Пропарен	1 чаша	1 ½ чаша	45-50
СМЕС ОТ ДЪЛЪГ И КАНАДСКИ ОРИЗ			
– Обикновен	170 г	1 ½ чаша	56-58
– За бързо приготвяне	190 г	1 ¾ чаша	18-20
За бързо приготвяне	1 чаша	1 ½ чаша	12-15
БЯЛ			
– Обикновен	1 чаша	1 ½ чаша	45-50
– Дълъг	1 чаша	1 2/3 чаша	50-55

ЗЕЛЕНЧУЦИ

- Добре измийте зеленчуци. Почистете ги от коренчета, ако е необходимо, можете да ги обелите.
- Време за готвене се изчислява в зависимост от тяхното количество, колко те са пресни и от предварително обработване на продукта. Ако е необходимо, можете да промените време за приготвяне.
- Не се препоръчва предварително да се размразяват по-рано замразени продукти.
- За приготвяне на зеленчуци в чаша за ориз, по-добре сложете отгоре фолио, за предотвратяване на попадане на излишна влага.
- След изтичане на 10-12 минути, когато сте започнали приготвяне на замразени продукти, трябва да ги разбъркате добре.

Пресни зеленчуци	Тегло, г / бр.	Примерно време за готвене, (мин)
Аспержи	450	12-14
Боб, фасул и др.:		
– Зелен/жълт, кафяв	225	12-14
– Цял или надробен	450	20-22
Цвекло (нарязано)	450	25-28
Карфиол	450	20-22
Брюкселско зеле	450	24-26
Зеле (нарязано)	450	16-18
Моркови (тънко нарязани)	450	18-20
Цветно зеле	450	20-22
Царевица	3-5 бр.	14-16
Патладжани	450	16-18
Гъби (не нарязани)	450	10-12
Чушка (не нарязана, без семки)	До 4 броя среден размер	12-13
Картофи (не нарязани, розови)	До 450 (примерно, 6 малки броя)	30-32
Спанак	225	14-16
Тиквички		
– Жълти или Зелени (нарязани)	50	12-14
Ряпа (нарязана на кръгчета)	450	20-22
Замразени зеленчуци	300	28-50

РИБА И МОРСКИ ДЕЛИКАТЕСИ

- Време за приготвяне на пресни или замразени и напълно размразени морски деликатеси е посочено в таблицата. Рибна и морски деликатеси трябва да бъдат подготвени и почистени предварително.
- За приготвяне на повече видове риба и морски деликатеси необходимо малко време. Препоръчваме те да се готвят на малки порции.
- Рибено филе може да се готви в чашата за ориз както с добавяне на краве масло, маргарин, лимон и различни сосове, така и без тях.
- Коририрайте време за приготвяне в съответствие с изисквания в рецепта и в зависимост от предварително обработване на продукта.

Продукт	Тегло, г / кол-во	Примерно време за готвене, (мин.)
Скариди (с черупки)		
– Средни	450	10-12
– Големи	450	16-18
Риба		
– Цяла	225-340	10-12
– Почистена	225-340	10-12
– Филе	450	10-12
– Нарязана на парчета	450 (~2,5 см. дебелина)	16-18

МЕСО

Продукт	Тегло, г / кол-во	Примерно време за готвене, (мин.)
Телешко		
– Плешка	450	28-30
– Пържоли	450	16-18
– Толчета	450	22-24
Пиле	450	
– Нарязано	2-4 парчета	24-26
Агнешко		
– Нарязано на парчета	450	26-28
Свинско		
– Нарязано на парчета	450	26-28
Кренвирши	450	14-18
Готов салам	450	14-16

ЯЙЦА

Продукт	Тегло (г)/кол-во	Примерно време за готвене (минути)
С черупка		
– За приготвяне на рожки яйца	1-12 бр.	15-18
– За твърде сварени яйца	1-12 бр.	19-22
Омлет		
Разбийте в чашата за ориз 6 яйца и добавете 2 супени лъжици мляко, сол и чер пипер според вкуса Ви. След 10-12 минути разбъркайте яйцата.		20-22

ПОЧИСТВАНЕ И ПОДДРЪЖКА

- Изключете уреда от контакт, нека той напълно да изстине.
- Изсипете вода от таблата за събиране на кондензата и резервоара за вода.
- Остатъци на вода можете да излеете чрез отвори за сипване, като обърнете уреда.
- Измийте капака, таблата и всички съдове с топла вода и препарат (може в горното отделение в съдомиялна машина), после ги изплакнете и изсушете добре.
- Измийте резервоара с топла вода и препарат, после го изплакнете добре и изсушете.
- Не се допуска използване на драскащи миялни препарати, органични разреждатели и агресивни течности.
- След известно време върху нагревателния елемент може да се образува воден камък и затова уредът ще се изключва по-рано отколкото е необходимо.
- След 7-10 пъти работа (в зависимост от вода) добавете в резервоара средство срещу премахване на воден камък (стриктно спазвайте инструкции на опаковка). Запълнете резервоара с вода до максимално ниво.
- При почистване на нагревателния елемент от воден камък не слагайте върху резервоара съдове за продукти и не го затваряйте с капак.
- Включете уреда в контакт. Нагласете таймера примерно на 20 минути. След изключване на уреда (по таймера) изтеглете щепсела от контакт. Преди да изливате водата, изчакайте нагревателният елемент да изстине напълно. Няколко пъти измийте нагревателния елемент и резервоар със студена вода и го избършете добре.

СЪХРАНЯВАНЕ

- Преди да прибирате уреда проверете, той да е изключен от контакт и е изстинал напълно.
- Изпълнявайте всички изисквания от раздела ПОЧИСТВАНЕ И ПОДДРЪЖКА.
- Съхранявайте уреда на сухо прохладно място.

PL INSTRUKCJA OBSŁUGI

ŚRODKI BEZPIECZEŃSTWA

- Uważnie przeczytaj niniejszą instrukcję obsługi przed użytkowaniem urządzenia w celu uniknięcia złamań w czasie użytkowania oraz zachowaj ją w celu informacji.
- Przed pierwszym uruchomieniem sprawdź, czy charakterystyki techniczne urządzenia podane na nalepce odpowiadają parametrom sieci elektrycznej.
- Nieprawidłowe użytkowanie może spowodować złamanie wyrobu, wyrządzić szkodę materialną lub szkodę na zdrowiu użytkownika.
- Tylko do użytku domowego. Urządzenie nie jest przeznaczone do zastosowania przemysłowego.
- Zawsze odłączaj urządzenie od sieci elektrycznej, jeśli nie korzystasz z niego.
- Nie zanurzaj urządzenia oraz kabla w wodzie lub w innych płynach. Jeśli taki wypadek miał miejsce, natychmiast odłącz urządzenie od sieci elektrycznej i zanim zaczniesz go użytkować, sprawdź gotowość techniczną i bezpieczeństwo urządzenia u wykwalifikowanych fachowców.
- Nie używaj urządzenia z uszkodzonym kablem elektrycznym lub wtyczką oraz po spadaniu lub innych uszkodzeniach. W celu sprawdzenia i naprawy zwracaj się do najbliższego serwisu.
- Uważaj, żeby kabel nie dotykał ostrych krawędzi i gorących powierzchni.
- Odłączając urządzenie od sieci elektrycznej, nie ciągnij za kabel, lecz trzymaj się za wtyczkę.
- Urządzenie ma być statecznie ustawione na suchej równej powierzchni. Nie ustawiaj urządzenia na gorących powierzchniach oraz w pobliżu źródeł ciepła (na przykład, kuchenek elektrycznych), firanek, a również pod półkami zawieszanymi.
- Nigdy nie pozostawiaj włączonego urządzenia bez opieki.
- Nie pozwalaj dzieciom użytkować urządzenia bez kontroli dorosłych.
- Nie dotykaj gorących powierzchni.
- Żeby uniknąć porażenia prądem elektrycznym i złamania urządzenia, używaj tylko akcesoriów dołączonych do kompletu dostawy.
- Zanim podłączysz parowar do sieci elektrycznej, napełnij wodą zbiornik na wodę. W przeciwnym przypadku jest możliwe uszkodzenie urządzenia.
- Nie dopuszcza się stosowania pojemników parowara w piecach mikrofalowych, na kuchenkach elektrycznych lub gazowych.
- Podczas przenoszenia parowaru zawierającego gorącą wodę lub jedzenie zachowuj maksymalną ostrożność.
- Otwierając pokrywę działającego parowaru, uważaj, żeby nie doszło do oparzenia gorącą parą. Pozwól kroplinom zgromadzonym na pokrywie ściec z powrotem do pojemnika.

PRZYGOTOWANIE DO PRACY

- Usuń z urządzenia wszystkie nalepki.
- Przed pierwszym włączeniem starannie wymyj wszystkie pojemniki i części zdejmowane ciepłą wodą z mydłem, następnie starannie przepłukuj i wytrzyj do sucha.
- Przetrzyj pojemnik na wodę od wewnątrz za pomocą wilgotnej szmatki.

FUNKCJA „SZYBKA PARA” (RYS. 1)

- W przypadku ustawienia na elemencie grzejnym końcówki wycięciem do dołu, para się tworzy już po upływie 35 sekund od momentu włączenia parowaru.

PRACA (RYS. 2)

- Ustaw parowar na statecznej, poziomej powierzchni.
- Wlewaj do zbiornika tylko czystą wodę; nie dopuszcza się stosowania innych płynów oraz substancji dodatkowych. Na zbiorniku znajdują się znaki maksymalnego a minimalnego napełnienia: poziom wody musi się mieścić w granicach pomiędzy nimi.
- Ustaw podstawkę na skropliny i pojemniki parowe na podstawie.

UWAGA: Nie dopuszczaj, żeby poziom wody w zbiorniku był poniżej minimalnego.

- Zawsze wkładaj produkty o dłuższym czasie przygotowania (na przykład, większe lub itp.) do dolnego pojemnika parowego.
- Jeśli w czasie przyrządzania ujawniono, że wody jest mniej normy, można dolać wody przez otwór do napełniania wodą, nie zdejmując pojemników parowych.

GÓRNY, ŚREDNI I DOLNY POJEMNIKI PAROWE

- Umieść warzywa, owoce morza lub inne artykuły żywnościowe do środka pojemnika parowego, starając się w miarę możliwości, nie zamykać otworów do pary.

CZASZA DO RYZU

- Do czaszy do ryżu włoż ryż lub inne produkty, dodaj wody, sosu itp. Przykryj pokrywę. Podłącz parowar do sieci elektrycznej. Ustaw na zegarze czas przyrządzenia potrawy. Po upływie tego czasu rozlegnie się sygnał dźwiękowy, wskaźnik świetlny się zgaśnie i parowar automatycznie się wyłączy. Odłącz urządzenie od sieci elektrycznej i starannie zdejmij pojemniki parowe.
- Przepisy kuchni parowej podają przybliżony czas przyrządzenia, który zależy od ilości, wielkości oraz pożądanego stopnia gotowości produktów, jak również i od upodobań osobistych. Proponowane warunki są przeznaczone do parowaru o dwóch pojemnikach. Podczas pracy z trzema pojemnikami czas przyrządzenia należy skorygować.
- Używając dwóch/trzech pojemników parowych można w tym samym czasie przyrządzać różne potrawy, jednak, należy wziąć pod uwagę, że przyrządzane artykuły spożywcze muszą móc się godzić i harmonizować co do zapachu, ponieważ ich soki i tłuszcz będą się mieszały i mogą zepsuć potrawę.
- Zdejmując nagrzane pojemniki dołączone do kompletu parowaru, uważaj – żeby nie doszło do oparzenia gorącą parą. Używaj rękawic kuchennych lub ścierek.

WSKAZANIA WYŚWIETLACZA (RYS. 3)

Na wyświetlaczu parowaru mogą się wyświetlać następujące symbole:

- 1 – zapamiętanie ustawień.
- 2 – odroczone gotowanie.

gotowanie:

- 3 – jaja - 16 minut (czas zaprogramowany automatycznie)
- 4 - ryż - 30 min.
- 5 – ryby - 15 min.
- 6 – drób - 25 min.
- 7 – warzywa - 20 min.
- 8 – brak wody w zbiorniku.
- 9 – warunki podgrzewania po przyrządzeniu.

- Przy włączeniu parowar zgodnie z zaprogramowaniem automatycznym zaczyna działać w warunkach przyrządzenia ryżu (symbol 6; czas przyrządzenia - 30 minut; wskazania wyświetlacza "0:30").

- Na obudowie parowaru umieszczono zalecenia dotyczące przyrządzenia różnych artykułów spożywczych z podaniem czasu.

PANEL STERUJĄCY

PRZYCISKI NA PANELU STERUJĄCYM

- **ON/OFF** – włączenie/wyłączenie parowaru.
- **MENU** – wybór warunków przyrządzania.
- **HOUR** – ustawienie godzin.
- **MIN** – ustawienie minut.
- **TIME/SAVE (RESET 5 sec.)** – w celu ustawienia czasu przyrządzenia lub rezygnacji z ustawionych warunków oraz w celu zapamiętywania nowych ustawień czasu przyrządzenia.

USTAWIENIE CZASU PRZYRZĄDZENIA

- Podłącz urządzenie do sieci elektrycznej, na wyświetlaczu wyświetli się "0:30".
- Za pomocą przycisku «**MENU**» ustal warunki obróbki w zależności od rodzaju produktu, przy tym na wyświetlaczu wyświetli się aktualne ustawienie założonego czasu przyrządzenia (zaprogramowana automatycznie).
- Za pomocą przycisku «**MIN**» lub «**HOURL**» ustaw czas trwania obróbki (czas można tylko zwiększać).
- W celu potwierdzenia początku przyrządzania naciśnij przycisk «**ON/OFF**». Przy tym zapali się wskaźnik świetlny.
- Po upływie czasu przyrządzenia 3 razy się rozlegnie sygnał dźwiękowy. Na wyświetlaczu się wyświetli "0:00" oraz symbol podgrzewania (9). Parowar automatycznie przejdzie do pracy w warunkach podgrzewania, t.j. co 4 minuty on będzie się włączał na 1 minutę. Maksymalny czas trwania takich warunków - 30 min.

UWAGA:

- Jeśli automatycznie zaprogramowany czas został zmieniony, po upływie tego czasu na wyświetlaczu się wyświetli symbol (1). Naciskając przycisk «**TIME/SAVE**», zapiszesz to ustawienie jako nowy automatycznie zaprogramowany czas.

WARUNKI ODROTCZONEGO PRZYRZĄDZENIA

- Podłącz urządzenie do sieci elektrycznej, na wyświetlaczu wyświetli się "0:30".
- Za pomocą przycisku «**MENU**» ustal warunki obróbki w zależności od rodzaju produktu, przy tym na wyświetlaczu wyświetli się czas przyrządzenia (minimalny – jeśli nie wybierzesz innego).
- Naciśnij przycisk «**TIME/SAVE**». Za pomocą przycisków «**HOURL**» i «**MIN**» ustaw czas, po upływie którego parowar ma się włączyć.
- W celu potwierdzenia ustawienia naciśnij przycisk «**ON/OFF**». Przy tym zapali się wskaźnik świetlny oraz na wyświetlaczu wyświetli się symbol zegara.
- Po upływie ustawionego okresu (nie uwzględniając czasu trwania przyrządzania) rozlegną się trzy krótkie sygnały dźwiękowe i parowar się włączy. Symbol zegarka zniknie z wyświetlacza.

UWAGA:

- Na wyświetlaczu wyświetla się pełny czas trwania cyklu: czas przyrządzenia z uwzględnieniem czasu odroczenia. Na przykład, chcesz przyrządzić ryby i ustalasz czas trwania obróbki jako 25 minut. Jeśli przyrządzenie ma zacząć się za godzinę, naciśnij przycisk «**TIME/SAVE**» i ustaw czas 1 godzinę 25 minut za pomocą przycisków «**HOURL**» i «**MIN**». Za godzinę parowar zacznie proces przyrządzania.

ZWIĘKSZENIE CZASU TRWANIA GOTOWANIA

- W czasie gotowania naciśnij przycisk «**TIME/SAVE**» i utrzyj go w ciągu 2 sekund. Gotowanie będzie powstrzymane.
- Za pomocą przycisku «**MIN**» dodaj niezbędną ilość czasu.
- W celu kontynuacji obróbki naciśnij przycisk «**ON/OFF**». Jeśli nie potwierdzisz kontynuacji, parowar za 90 sekund automatycznie kontynuuje gotowanie.

ODŁĄCZENIE W PRZYPADKU BRAKU WODY

- Jeśli w trakcie pracy w zbiorniku zabraknie wody, parowar automatycznie się odłączy i na wyświetlaczu się wyświetli symbol braku wody.
- Po dodaniu niezbędnej ilości wody naciśnij przycisk «**ON/OFF**» w celu kontynuacji procesu gotowania.

ZATRZYMANIE GOTOWANIA

- Naciśnij i utrzyj przycisk «**ON/OFF**» Parowar się odłączy i na wyświetlaczu się wyświetli "0:00".

REZYGNACJA Z ZADANYCH USTAWIENI

- Jeśli chcesz zrezygnować ze zmiany automatycznie zaprogramowanych ustawień, podłącz parowar do sieci elektrycznej, naciśnij i utrzyj w takiej pozycji przycisk «**TIME/SAVE (RESET 5 sec.)**» w ciągu 5 sekund.

ROZGRZANIE CHLEBA I PÓLPRODUKTÓW

- Rozgrzewając chleb, niczym go nie przykrywaj.
- Czas rozgrzania półproduktów zależy od temperatury ich zamrażania i przechowywania.
- Przy rozgrzaniu półproduktów w czaszy do ryżu rozłóż je równomiernie i przykryj czaszę folią aluminiową.

RYŻ I KRUPY

- W zależności od gatunku ryżu należy gotować go w różnych warunkach.
- Do czaszy do gotowania ryżu włóż ryż i dodaj wody do zbiornika zgodnie z zaleceniami. Przykryj pokrywą i włącz parowar.
- Żeby ryż stał się bardziej miękki, wlej o 1-2 łyżki stołowe więcej wody, a żeby stał się bardziej twardy – o tyle samo mniej, niż zaleca się w tabeli.
- Po jakimś czasie od początku gotowania (odrębnym dla każdego gatunku ryżu), sprawdź go pod względem gęstości i stopnia gotowości, jednocześnie mieszając go.
- Go gotowego ryżu można dodawać różne przyprawy w celu zmiany jego smaku.

Rodzaj ryżu	Ilość		Czas gotowania, (min.)
	Ryż	Woda	
BRAZOWY			
– Zwykły	½ filiżanki	1 filiżanka	42-45
– Obrobiony parą	1 filiżanka	1 ½ filiżanki	45-50
MIESZANKA DŁUGIEGO RYŻU I KANADYJSKIEGO			
– Zwykły	170 g	1 ½ filiżanki	56-58
– Błyskawiczny	190 g	1 ¾ filiżanki	18-20
Błyskawiczny	1 filiżanka	1 ½ filiżanki	12-15
BIAŁY			
– Zwykły	1 filiżanka	1 ½ filiżanki	45-50
– Długi	1 filiżanka	1 2/3 filiżanki	50-55

WARZYWA

- Starannie wymyj warzywa. Obetnij korzenia i w miarę konieczności obierz ze skórki.
- Czas trwania gotowania zależy od ilości, świeżości i obróbki wstępnej produktów. W razie konieczności czas gotowania można zmieniać.
- Nie zaleca się uprzedniego rozmrażania warzyw mrożonych.
- W przypadku gotowania warzyw w czaszy do ryżu, należy przykrywać je folią, żeby zapobiec dostaniu się zbędnej wilgoci.
- Po upływie 10-12 minut od początku przyrządzenia należy wymieszać produkty mrożone.

Świeże warzywa	Masa, g / szt.	Przybliżony czas gotowania, (min.)
Szparagi	450	12-14
Motylkowe:		
– Zielone/dojrzałości woskowej	225	12-14
– Całe lub rozdrobnione	450	20-22
Burak (krojony)	450	25-28
Brokuły	450	20-22
Kapusta brukselska	450	24-26
Kapusta głowiasta biała (krojona)	450	16-18
Marchew (cienko pokrojona)	450	18-20
Kalafior	450	20-22
Kukurydza	3-5 kaczanów	14-16
Bakłażany	450	16-18
Grzyby (całe)	450	10-12

Papryka (cała, bez pestek)	Do 4-ch sztuk o średniej wielkości	12-13
Ziemniaki (całe, różowe)	Do 450 (w przybliżeniu, 6 małych bulw)	30-32
Szpinak	225	14-16
Kabaczki		
- Żółte lub cukinia (pokrojone)	50	12-14
Rzepa (pokrojona na plasterki)	450	20-22
Warzywa mrożone	300	28-50

RYBY I OWOCE MORZA

- Czas przyrządzenia świeżych lub mrożonych i całkowicie rozmrożonych owoców morza i ryb podano w tabeli. Ryby i owoce morza należy wstępnie poczyścić i przygotować.
- Przyrządzenie większości rodzajów ryby i owoców morza wymaga niedużo czasu. Zaleca się gotowanie niedużymi porcjami.
- Filet ryb można przyrządzać w czaszy do ryżu jak z dodaniem masła, margaryny, cytryny i różnych sosów, tak również i bez nich.
- Skoryguj czas przyrządzenia zgodnie z wymaganiami przepisu oraz w zależności od obróbki wstępnej produktów.

Produkt	Masa, g /ilość	Przybliżony czas przyrządzenia, (min.)
Krewetki (w skorupach)		
- średnie	450	10-12
- duże	450	16-18
Ryby		
- Całe	225-340	10-12
- Rozebrane	225-340	10-12
- Filet	450	10-12
- Pokrojone na kawałki	450 (~2,5 cm grubości)	16-18

MIEŚO

Produkt	Masa, g /ilość	Przybliżony czas przyrządzenia, (min.)
Wołowina		
- Plecówka	450	28-30
- Befszyki mielone	450	16-18
- Pulpety	450	22-24
Kury	450	
- Rozebrane	2-4 kawałki	24-26
Baranina		
- Pokrojona na kawałki	450	26-28
Wieprzowina		
- Pokrojona na kawałki	450	26-28
Parówki	450	14-18
Gotowe kielbasy	450	14-16

JAJA

Produkt	Masa (g) /ilość	Przybliżony czas przyrządzenia, (min.)
W skorupie		
- do gotowania na miękko	1-12 sztuk	15-18
- do gotowania na twardo	1-12 sztuk	19-22
Omlet		
Rozbij do czaszy do ryżu 6 jajek i dodaj 2 łyżki stołowe mleka, soli i pieprza do smaku. Za 10-12 minut wymieszaj jajka.		20-22

CZYSZCZENIE I OBSŁUGA

- Odłącz parowar od sieci elektrycznej i zaczekaj, póki on całkowicie się schłodzi.
- Wylej wodę z podstawki na skropliny i zbiornika na wodę.
- Resztki wody można spuścić przez otwór do napełnienia, obracając parowar.
- Wymyj pokrywę, podstawkę oraz wszystkie pojemniki ciepłą wodą z mydłem (można na górnej półce zmywarki do naczyń), starannie przepłukuj i wysusz.
- Wymyj zbiornik ciepłą wodą z mydłem, starannie przepłukuj i wytrzyj do sucha.
- Nie wolno używać środków ściernych, rozpuszczalników organicznych i płynów agresywnych.
- Za jakiś czas na elemencie grzewczym może utworzyć się kamień, wskutek czego parowar zacznie się wyłączać, zanim produkty zostaną ugotowane.
- Po 7-10 użyciach parowaru (w zależności od twardości wody) dodaj do pojemnika polecany środek do usunięcia kamienia (ściśle przestrzegaj wskazówek na opakowaniu) oraz napełnij go wodą do maksymalnego poziomu.
- Podczas czyszczenia elementu grzewczego z kamienia nie ustawiaj na zbiorniku pojemników na produkty oraz nie przykrywaj go pokrywą.
- Podłącz parowar do sieci elektrycznej. Ustaw zegar na około 20 minut. Po wyłączeniu się parowaru (zgodnie z zegarem), odłącz go od sieci elektrycznej. Zanim wylać wodę, zaczekaj, póki element grzewcza całkowicie się schłodzi. Przepłukuj kilka razy element grzewczy i zbiornik zimną wodą i wytrzyj do sucha.

PRZECHOWYWANIE

- Przed przechowywaniem przekonaj się, że urządzenie zostało odłączone od sieci elektrycznej i całkowicie się schłodziło.
- Wykonaj wymagania rozdziału CZYSZCZENIE I OBSŁUGA.
- Przechowuj urządzenie w suchym chłodnym miejscu.

RO MANUAL DE UTILIZARE

MASURI DE SIGURANTA

- Cititi cu atentie instructiunile din Manualul de utilizare considerandu-l un material indrumator.
- Inainte de a pune aparatul in functiune pentru prima data, verificati daca datele tehnice ale aparatului mentionate pe eticheta corespund cu parametrii sursei de curent electric.
- O utilizare incorecta poate duce la defectiunea aparatului, pagube materiale si chiar pricinui imbolnavirea utilizatorului.
- Folositi-l numai in scopuri casnice in conformitate cu indicatiile din Manualul de utilizare. Aparatul nu este destinat pentru uzul industrial.
- Deconectati intotdeauna aparatul de la sursa de curent inainte de operatiunea de curatire sau atunci cand nu-l mai folositi.
- Nu introduceti aparatul sau cordonul de alimentare in apa sau in alte lichide. Daca totusi acest lucru se intampla, deconectati-l imediat de la retea electrica si inainte de a-l mai folosi, verificati aparatul din punctul de vedere al functionarii si sigurantei la un Centru de Service.
- Nu folositi aparatul cu un cablu de alimentare defect si stecher, dupa ce a cazut sau cu alte defectiuni. Pentru verificare si reparatii adresati-va la un centru specializat din apropierea Dvs.
- Verificati daca cablul de alimentare nu intra in contact cu margini ascutite si suprafete fierbinti.
- La deconectarea lui de la sursa de curent nu trageți de cordonul de alimentare, tineti de stecher.
- Instalatiya trebuie montata intr-un loc uscat si pe o suprafata neteda. Nu-l asezati pe suprafete fierbinti sau in apropierea surselor de caldura (de exemplu o plita electrica) langa perdele sau sub rafturi.
- Nu deschideti aparatul fara a-l verifica in prealabil.

- Nu lasati copiii sa se joace cu aparatul.
- Nu atingeti suprafetele fierbinti.
- Pentru a evita electrocutarea si aprinderea aparatului nu folositi aparatul cu accesorii ce nu intra in setul de livrare.
- Inainte de a conecta recipientul pentru gatit la abur la sursa de curent electric umpleti rezervorul pentru apa .In caz contrar aparatul se poate defecta.
- Nu folositi vasele pentru abur in cuptoarele cu micro-onde, pe plite electrice sau pe aragaz.
- Fiti foarte atenti la manipularea recipientului de gatit cu apa fierbinte sau preparate in el.
- Deschizand capacul recipientului de gatit in timpul functionarii trebuie sa fiti atenti ca sa nu va ardeti de la aburii fierbinti. Dati posibilitatea condensului ce se scurge de pe capac sa se scurga in mod invers in vas.

PREGATIREA DE LUCRU

- Scoateti de pe aparat toate etichetele.
- Inainte de prima functionare spalati cu atentie toate cavitatile si partile detasabile cu apa calda si detergent apoi stergeti si uscati bine.
- Stergeti rezervorul de apa cu o carpa umeda in interiorul sau.

FUNCTIA "ABUR RAPID" (DESEN 1)

- Daca pe elementul de incalzire se monteaza un tub cu deschiderea/taietura in jos, vaporii se formeaza in 35 de sec dupa deschiderea recipientului de gatit la abur.

FUNCTIONARE (DESEN 2)

- Asezati recipientul de gatit la abur pe o suprafata curata si orizontala.
- Turnati in rezervor numai apa curate, nu este permis folosirea altor lichide sau adausuri alimentare. In rezervor exista semne de umplere maxima si minima: nivelul apei trebuie sa fie intre aceste semne.
- Montati tava de colectare a condensului si tavile pentru abur pe suport.

ATENȚIE: Nu se permite ca apa din rezervor sa fie mai puțin de nivelul minim.

- Intotdeauna asezati produsele care se prepara cu un timp mai indelungat (de exemplu cele mari sau altele) in tava mica pentru abur.
- Daca pe timpul prepararii se constata ca apa este mai putina decat nivelul indicat, se poate turna apa prin orificiul de umplere fara a scoate vasele pentru abur.

VASE DE MARIME MARE, MIJLOCIE SI MICA PENTRU ABUR

- Asezati zarzavatul, pestele sau alte produse in centrul vasului de aburi, si daca se poate nu blocati orificiul pentru abur.

CUPA PENTRU OREZ

- In cupa pentru orez se toarna orez sau alte produse, se adauga apa, zeama de carne sau altele. Inchideti capacul. Conectati recipientul de gatit la abur la sursa de curent electric. Stabiliti temporizatorul la timpul necesar pentru gatirea felului de mancare. Cand acest timp s-a terminat, se aude un semnal sonor, indicatorul luminos se aprinde si recipientul de gatit la abur se opreste automat. Deconectati aparatul de la sursa de curent si scoateti cu grija vasul.
- In retele culinare pentru prepararea la abur se mentioneaza timpul aproximativ de pregatire ce depinde de cantitate, proportii si nivelul dorit de preparare al produselor precum si de gustul fiecaruia. Regimurile propuse sunt destinate pentru recipientul de gatit cu doua vase. In cazul celui cu trei vase timpul de pregatire trebuie adaptat.
- Folosind doua sau trei vase se pot pregati diferite feluri de mancare o singura data, dar trebuie sa se tina cont ca produsele ce se gatesc pot fi amestecate iar mirosurile se combina, iar sosurile si grasimile lor pot sa se combine si astfel pot strica felul de mancare.
- Scoateti vasele fierbinti ce intra in setul recipientului de gatit la abur fiind atenti sa nu va ardeti de la aburul fierbinte. Folositi manusi sau manere de bucatarie.

DISPLAY DIGITAL (DESEN 3)

Pe display recipientului de gatit la abur sunt inscrite urmatoarele simboluri:

- 1 – inretinerea instalatiei
- 2 –preparare lenta

preparare

- 3 –oua-6 minute de rezerva
- 4 – orez 30 min.
- 5 – peste- 15 min
- 6 – pui- 25 min
- 7 – legume -20 min
- 8 –lipsa apei in rezervor
- 9 –regimul de incalzire dupa preparare

- Prin comutarea recipientului de gatit la abur la lent se trece in regim de preparare a orezului (simbol 6; timp de preparare -30 min, afisajul pe display " 0:30").
- Pe carcasa recipientului de gatit se gasesc indicatiile si timpul de pregatire a diferitelor produse.

PANOUL DE COMANDA

BUTOANELE DE PE PANOUL DE COMANDA

- **ON/OFF** – deschiderea/inchiderea recipientului degatit
- **MENU** – alegerea regimului de preparare
- **HOURL** – timpul in ore
- **MIN** – timpul in minute
- **TIME/SAVE (RESET 5 sec.)** –pentru stabilirea timpului de pregatire sau schimbarile regimului dat precum si pentru memorizarea timpului de preparare a noilor produse.

STABILIREA TIMPULUI DE PREPARARE

- Conectati aparatul la sursa de curent, display-ul va indica " 0:30".
- Butonul «**MENU**» stabileste regimul de pregatire in functie de tipul produsului, astfel pe display se va afisa timpul ramas de pregatire (in mod silentios).
- Prin butonul «**MIN**» sau «**HOURL**» stabiliti prelungirea prepararii (timpul se poate numai prelungi).
- Pentru ca sa porniti prepararea apasati pe butonul «**ON/OFF**» astfel se aprinde indicatorul luminos.
- La terminarea timpului de preparare se aude un semnal sonor ce este repetat de 3 ori. Pe display se afiseaza " 0: 0" simbolul de incalzire (9). Recipientul de preparare la abur trece automat in regim de incalzire, adica la fiecare 4 minute va fi in functiune timp de 1 min. Timpul maxim de functionare al acestui regim este de – 30 min.

NOTA:

- Daca timpul stabilit a fost modificat pe display va aparea simbolul (1). Prin apasarea butonului "**TIME/SAVE**",Dvs.salvati aceasta modificare ca fiind noul timp stability.

REGIMUL DE PREPARARE LENTA

- Conectati aparatul la sursa de curent, display-ul va indica " 0:3".
- Cu ajutorul butonului **MENU** stabiliti regimul de preparare in functie de tipul produsului astfel pe display se va afisa timpul de preparare (minim).
- Apasati butonul **TIME/SAVE**. Cu ajutorul butoanelor «**HOURL**» si «**MIN**».stabiliti timpul la care recipientul de gatit trebuie sa se inchida.
- Pentru o stabilire incorecta apasati butonul **ON/OFF** astfel se aprinde indicatorul luminos si pe display apare simbolul ore.
- Dupa scurgerea timpului stabilit de preparare (fara a considera durata prepararii) se aud trei semnale sonore scurte si recipientul de gatit se inchide/opreste. Simbolul ore dispare de pe display.

NOTA:

- Display-ul indica durata integrala a ciclului: timpul de preparare cu calculul timpului de prelungiri. De exemplu, DVS. doriti sa preparati peste si a-ti stabilit o durata de preparare de 25 de min. Daca trebuie sa-l pregatiti peste o ora , apasati butonul TIME/SAVE si fixate timpul 1 ora 25 min cu ajutorul butonului HOUR. si MIN. Peste o ora recipientul de gatit isi incepe procesul de pregatire.

MARIEREA TAMPULUI DE PREPARARE

- In timpul prepararii apasati pe butonul «**TIME/SAVE**» si mentnati-l asa timp de 2 sec. Fierberea va fi intrerupta.
- Prin butonul «**MIN**» adaugati timpul necesar.
- Pentru continuarea prepararii apasati butonul «**ON/OFF**» Daca Dvs nu confirmati prelungirea de timp atunci recipientul de gatit dupa 90 de sec isi continua automat prepararea.

OPRIREA LA O CANTITATE INSUFICIENTA DE APA

- Daca in timpul functionarii in rezervor se gaseste apa insuficienta, recipientul de gatit se opreste automat si pe display apare simbolul apa insuficienta.
- Dupa adaugarea cantitatii de apa necesara apasati butonul **ON/OFF** pentru a continua procesul de preparare.

OPRIREA PREPARARII

- Apasati butonul **ON/OFF** Recipientul de gatit la abur se inchide iar pe display se afiseaza "0:00".

SCHIMBAREA SETARILOR ANTERIOARE

- Pentru schimbarea setarii conectati recipientul de gatit la abur la sursa de curent, apasati si mentineti apasat butonul **TIME/SAVE (RESET 5 sec.)** timp de 5 sec.

INCALZIREA PIINII SI A SEMI-PREPARATE

- Piinea ce urmeaza a fi incalzita nu o acoperiti.
- Timpul de incalzire a semi-preparatelor depinde de temperatura lor de dezghetare si de pastrare.
- La incalzirea semi-preparatelor in cupa pentru pregatirea orezului asezati-le uniform si acoperiti cupa cu o folie de aluminiu.

OREZ SI BOABE

- In functie de sortimentul de orez acesta trebuie pregatit in diferite regimuri.
- In cupa pentru pregatirea orezului puneti orez, adaugati apa in rezervor conform indicatiilor. Puneti capacul si porniti recipientul pentru gatit.
- Pentru ca orezul sa devina mai moale turnati apa cu 1-2 linguri mai mult iar pentru orez tare –nu mai putin decat indicatiile din tabel.
- Dupa un timp de la inceperea prepararii (in functie de sortimentul de orez) incercati gustul si nivelul de gatire a acestuia amestecandu-l in acelasi timp.
- Puteti adauga diferite condimente atunci cand orezul este gata pentru a-i schimba gustul.

Sortimentul de orez	Cantitatea		Timpul de preparare, (min.)
	Orez	Apa	
CAFENIU			
- Obisnuit	½ ceasca	1 ceasca	42-45
- pregatit	1 ceasca	1 ½ ceasca	45-50
COMBINATIE DINTRE OREZUL LUNGUIET SI CEL CANADIAN			
- Obisnuit	170 g	1 ½ ceasca	56-58
- Preparare rapida	190 g	1 ¾ ceasca	18-20
Preparare rapida	1 ceasca	1 ½	12-15
ALB			
- Obisnuit	1 ceasca	1 ½ ceasca	45-50
- Lunguiet	1 ceasca	1 2/3 ceasca	50-55

LEGUME

- Spalati legumele. Curatati coaja, si daca este necesar indepartati coaja.
- Durata de preparare depinde de cantitate, prospetime si pregatirea anterioara a produselor. Se poate modifica timpul de preparare in caz de necesitate.
- Nu se recomanda sa dezghetati in prealabil legumele inghetate.
- La pregatirea legumelor in cupa pentru orez ele trebuiesc acoperite cu o folie pentru a impiedica caderea condensului.
- Lasati sa treaca 10-12 min. dupa inceperea prepararii si amestecati apoi produsele inghetate.

Legume proaspete	Greutate, g / buc.	Timpul de preparare, (min.),
Asparagus	450	12-14
Legume boabe :		
- Verzi /coapte/ la maturitate	225	12-14
- Intregi si taiate	450	20-22
Sfecla (taiata)	450	25-28
Broccoli	450	20-22
Varza de Bruxelles	450	24-26
Varza alba (taiata)	450	16-18
Morcovi (fin taiati)	450	18-20
Varza rosie	450	20-22
Porumb	3-5 stiuleti	14-16
Vinete	450	16-18
Ciuperci (intregi)	450	10-12
Ardei (intreg, fara seminte)	Pana la 4 buc. de marime medie	12-13
Cartofi (intregi, rozii)	Pana la 450 (spre exemplu, 6 cartofi mici)	30-32
Spanac	225	14-16
Legume zdrobite		
- Verzi sau Dovlecei (taiati)	50	12-14
Nap (taiat felii)	450	20-22
Legume inghetate	300	28-50

PESTE SI PRODUSE DE PESCARIE

- Timpul de pregatire a produselor de pescarie proaspete, inghetate si a pestelui este dat in tabel. Pestele si produsele pescaresti trebuiesc in prealabil curatate si pregatite.
- Timpul pentru pregatirea majoritatii speciilor de peste si produse de mare nu este prea mare. Se recomanda ca ele sa fie in portii nu prea mari.
- Fileul de peste se poate pregati in cupa pentru orez adaugandu-se ulei, margarina, lamiie si diferite mirodenii dar si in mod simplu fara acestea.
- Reglarea timpului de pregatire este in conformitate cu indicatiile din reteta culinara si depinde de pregatirea anterioara a produselor.

Produsul	Greutate, g /cantitate- numar	Timpul de preparare, (min.)
Creveti (in carapace)		
- Mijlocii	450	10-12
- Mari	450	16-18
Peste		
- Intreg	225-340	10-12

- Taiat	225-340	10-12
- File	450	10-12
- Taiat in bucati mici	450 (~2,5 cm grosime)	16-18

CARNE

Produs	greutate, g / cantitate	Timpul de preparare, (min.)
Carne de vaca		
- ceafa	450	28-30
- tocata	450	16-18
- biftec	450	22-24
- chiftele		
Gaina	450	
- Proportionata/taiata	2-4 bucati	24-26
Miel		
- Taiat in bucati	450	26-28
Porc		
- Taiat in bucati	450	26-28
Carnati	450	14-18
Gata preparati/salam	450	14-16

OUA

Produs	Greutate (g)/cantitate, numar	Timpul de preparare, (min.)
In coaja		
- oua fierte moi	1-12 buc	15-18
- oua fierte tari	1-12 buc	19-22
Omleta		
Spargeti in cupa pentru pregatirea orezului 6 oua si adaugati 2 linguri de lapte, sare, piper dupa gust. Dupa 10-12 min. amestecati ouale..		20-22

CURATIRE SI INTRETINERE

- Deconectati recipientul de gatit de la sursa de curent si lasati-l sa se raceasca complet.
- Scurgeti apa din tava pentru colectarea condensului si cea din rezervorul de apa.
- Apa ramasa se poate scurge prin orificiul de umplere intorcand recipientul de gatit.
- Stergeti capacul, tava si cavitatarea interioara cu apa calda si detergent apoi uscati-le bine.
- Stergeti rezervorul cu apa calda si detergent si uscati-l complet prin stergere.
- Se interzice folosirea mediilor cu particole abrazive, a lichidelor agresive si a dizolvantilor organici.
- Dupa o perioada de timp pe elementul de incalzire poate aparea murdarie/reziduri ca urmare nu dati drumul la recipientul de gatit mai devreme ca produsul sa fie preparat.
- Dupa 7-10 min. de fierbere (in functie de duritatea apei) adaugati in rezervor solutia recomandata pentru indepartarea murdariei (respectati cu strictete instructiunile din manual) si umpleti-l cu apa pana la nivelul maxim.
- La curatarea elementului de incalzire de murdarie nu montati in rezervor tavile pentru produse si nu-l acoperiti cu capacul.
- Conectati recipientul de gatit la sursa de curent. Stabiliti temporizatorul la 20 min, de exemplu. Dupa conectare recipientului (cu temporizatorul) deconectati de la sursa de curent. Inainte de turnarea apei , verificati ca elementul de incalzire sa fie complet uscat. De cateva ori stergeti elementul de incalzire si rezervorul cu apa si uscati bine.

PASTRARE

- Inainte de pastrare verificati ca aparatul sa fie deconectat de la sursa de curent si racit complet.
- Efectuati operatiunile de la punctul CURATIRE SI INTRETINERE.
- Pastrati aparatul in loc uscat si racoros.

UA ІНСТРУКЦІЯ З ЕКСПЛУАТАЦІЇ МІРИ БЕЗПЕКИ

- Уважно прочитайте дану інструкцію перед експлуатацією приладу, щоб запобігти поломкам під час користування та збережіть її як довідковий матеріал.
- Перед першим вмиканням перевірте, чи відповідають технічні характеристики виробу, позначені на наклейці, параметрам електромережі.
- Невірне використання може призвести до поломки виробу, завдати матеріального урону та шкоди здоров'ю користувача.
- Використовувати тільки у побуті. Прилад не призначений для виробничого використання.
- Якщо прилад не використовується, завжди вимикайте його з мережі.
- Не занурюйте прилад чи шнур живлення у воду та інші рідини. Якщо це відбулося, негайно вимкніть прилад з мережі та, перед тим, як знов вмикати перевірте працездатність та безпеку приладу у кваліфікованих фахівців.
- Не користуйтеся виробом з пошкодженим шнуром живлення чи вилкою, після падіння або інших ушкоджень. Для ремонту та перевірки звертайтеся до найближчого сервісного центру.
- Стежте за тим, щоб шнур живлення не торкався гострих крайок та гарячих поверхонь.
- Під час вмикання приладу з мережі тримайтеся рукою за вилок, не тягніть за шнур.
- Пристрій має стійко стояти на сухій рівній поверхні. Не ставте його на гарячі поверхні, а також близько від джерел тепла (наприклад, електричних плит), фіранок та під навісними полицями.
- Ніколи не залишайте ввімкнений прилад без уваги.
- Не дозволяйте дітям користуватися приладом без нагляду дорослих.
- Не торкайтеся гарячих поверхонь.
- Щоб запобігти враження електричним струмом та поломки приладу, використовуйте тільки приладдя, що входить до комплекту.
- Перед тим як вмикати пароварку до електромережі, заповніть водою резервуар. У протилежному випадку прилад може бути пошкоджений.
- Не допускається використання ємностей пароварки у мікрохвильових пічах, на електричних чи газових плитах.
- Переміщуйте пароварку з гарячою водою чи їжею з максимальною обережністю.
- Обережно відкривайте кришку пароварки під час роботи, щоб не обпартися. Дайте можливість конденсату, що зібрався на кришці, стекти назад до ємності.

ПІДГОТОВКА ДО ЕКСПЛУАТАЦІЇ

- Зніміть з приладу усі наліпки.
- Перед першим вмиканням ретельно вимийте усі ємності та знімні частини теплою водою з милом, як слід промийте і насухо витріть.
- Протріть резервуар для води зсередини вологою тканиною.

ФУНКЦІЯ "ШВИДКА ПАРА" (МАЛ. 1)

- Якщо на нагрівальний елемент установити насадку прорізом донизу, пара утворюється вже через 35 секунд після вмикання пароварки.

ЕКСПЛУАТАЦІЯ (МАЛ. 2)

- Установіть пароварку на стійку горизонтальну поверхню.

- Наливайте у резервуар тільки чисту воду; не допускається споживання інших рідин та харчових додатків. На резервуарі є відмітки максимального та мінімального наповнення: рівень води має бути між ними.
 - Установіть піддон для збирання конденсату та парові ємності на базу.
УВАГА: Запобігайте нижчого ніж мінімальний рівня води.
 - Завжди кладіть продукти, які довше готуються (наприклад, крупніші чи ін.), у нижню парову ємність.
 - Якщо під час приготування виявилось, що води менше норми, її можна долити через отвір для наповнення, не знімаючи парові ємності.
- ВЕРХНЯ, СЕРЕДНЯ ТА НИЖНЯ ПАРОВІ ЄМНОСТІ**
- Помістіть овочі, морські чи інші продукти у центр парової ємності, по можливості намагаючись не перекривати відтулини для пари.

ЧАША ДЛЯ РИСУ

- У чашу для рису загрузіть рис чи інші продукти, додайте воду, соус, чи ін. Закрийте кришку. Підключіть пароварку до електромережі. Задайте на таймері тривалість приготування страви. Наприкінці пролунає звуковий сигнал, світловий індикатор згасне, і пароварка автоматично вимкнеться. Відключіть прилад з електромережі та обережно зніміть парові ємності.
- В рецептах парової кухні позначений лише приблизна тривалість приготування, яка залежить від кількості, розмірів та бажаного ступіня готовості продуктів, а також особистого смаку. Запропоновані режими призначені для пароварки з двома ємностями. При використанні трьох ємностей час приготування слід коректувати.
- Використовуючи дві/три парові ємності, можна одночасово готувати різні страви, однак, слід мати на увазі, що продукти, які готуються, мають бути сумісними та сполучатися по запаху, оскільки соки й жир з них будуть змішуватися та можуть зіпсувати страви.
- Щоби не обшпаритися, обережно знімайте гарячі ємності, що входять до комплекту пароварки. Використовуйте кухонні рукавиці.

ПОКАЗАННЯ ДИСПЛЕЯ (МАЛ. 3)

- На дисплеї пароварки можуть відобразитися такі символи:
 - 1 – зберігання установок.
 - 2 – відкладене приготування.

приготування:

- 3 – яйця - 16 хвилин (час по умовчання)
- 4 - рис - 30 хв.
- 5 – риба - 15 хв.
- 6 – птиця - 25 мин.
- 7 – овочі - 20 хв.
- 8 - недостача води у резервуарі.
- 9 - режим підігріву після приготування.
- При вмиканні пароварка за замовченням переходить до режиму приготування рису (символ 6; час приготування - 30 хвилин; показання дисплея "0:30").
- На корпусі пароварки є рекомендації по приготуванню різних продуктів з позначкою часу.

ПАНЕЛЬ КЕРУВАННЯ

КНОПКИ НА ПАНЕЛІ КЕРУВАННЯ

- **ON/OFF** – вмикання/вимикання пароварки.
- **MENU** – вибір режиму приготування.
- **HOURL** – установка годин.
- **MIN** – установка хвилин.
- **TIME/SAVE (RESET 5 sec.)** – для установки часу приготування чи відміни заданого режиму, а також для зберігання нових установок часу приготування.

УСТАНОВКА ЧАСУ ПРИГОТУВАННЯ

- Підключіть прилад до електромережі, дисплей покаже "0:30".
- Кнопкою «**MENU**» установіть режим обробки в залежності від виду продукту, при цьому на дисплеї буде відобразитися поточна установка заданого часу приготування (за замовченням).
- Кнопкою «**MIN**» чи «**HOURL**» установіть тривалість обробки (час можна тільки збільшувати).
- Для підтвердження початку приготування натисніть кнопку «**ON/OFF**» При цьому загориться світловий індикатор.
- По скінченні часу приготування 3 рази пролунає звуковий сигнал. На дисплеї відобразиться "0:00" та символ підігріву (9). Пароварка автоматично перейде до режиму підігріву, т.б. через кожні 4 хвилини вона буде вмикатись на 1 хвилину. Максимальна тривалість дії цього режиму - 30 хв.

УВАГА:

- Якщо установлений час за замовченням був змінений, по його скінченні на дисплеї з'явиться символ (1). Натиснувши кнопку «**TIME/SAVE**», Ви збережете цю установку як новий час по умовчання.

РЕЖИМ ВІДКЛАДЕНОГО ПРИГОТУВАННЯ

- Підключіть прилад до електромережі, дисплей покаже "0:30".
- Кнопкою «**MENU**» установіть режим обробки в залежності від виду продукту, при цьому на дисплеї буде відобразитися час приготування (мінімальний за замовченням).
- Натисніть кнопку **TIME/SAVE**. Кнопками «**HOURL**» і «**MIN**», завдайте час, через який пароварка має ввімкнутися.
- Для підтвердження установки натисніть кнопку **ON/OFF**. При цьому загориться світловий індикатор і на дисплеї з'явиться символ годинника.
- По скінченні заданого періода (без урахування тривалості приготування) пролунають три короткі звукові сигнали і пароварка ввімкнеться. Символ годинника зникне з дисплея.

УВАГА:

- Дисплей показує повну тривалість циклу: час приготування з урахуванням часу відстрочки. Наприклад, Ви хочете приготувати рибу і встановили тривалість обробки 25 хвилин. Якщо потрібно почати готувати її через 1 годину, натисніть кнопку **TIME/SAVE**. і установіть час 1 годину 25 хвилин за допомогою кнопок **HOURL**. та **MIN**. Через годину пароварка почне процес приготування.

ЗБІЛЬШЕННЯ ТРИВАЛОСТІ ПРИГОТУВАННЯ

- Під час приготування натисніть кнопку «**TIME/SAVE**» та утримуйте її на протязі 2 секунд. Варка буде припинена.
- Кнопкою «**MIN**» додайте необхідний час.
- Для підтвердження натисніть кнопку «**ON/OFF**», інакше пароварка через 90 секунд автоматично продовжить приготування.

ВИМИКАННЯ ПРИ НЕДОСТАТНІЙ КІЛЬКОСТІ ВОДИ

- Якщо в процесі роботи у резервуарі залишиться недостатньо води, пароварка автоматично вимкнеться і на дисплеї з'явиться символ нестачі води.
- Після добавлення необхідної кількості води натисніть кнопку **ON/OFF** для продовження приготування.

ЗУПИНКА ПРИГОТУВАННЯ

- Натисніть та утримуйте кнопку **ON/OFF**. Пароварка вимкнеться і дисплей покаже "0:00".

СКАСУВАННЯ ЗАДАНИХ УСТАНОВОК

- Для скасування чи зміни установок за замовленням підключіть пароварку до електромережі, натисніть та утримуйте кнопку **TIME/SAVE (RESET 5 sec.)** на протязі 5 секунд.

РОЗІГРІВ ХЛІБА ТА НАПІВФАБРИКАТІВ

- Розігріваючи хліб нічим його не накривайте.
- Тривалість розігріву напівфабрикатів залежить від температури їх заморожування та зберігання.
- При розігріві напівфабрикатів у чаші для рису рівномірно розкладіть їх та накрийте чашу алюмінієвою фольгою.

РИС ТА КРУПИ

- У залежності від сорту рису, його слід готувати по різних режимах.
- У чашу для приготування рису покладіть рис та додайте води до резервуару згідно з рекомендаціями. Закрийте кришку та ввімкніть пароварку.
- Щоб рис вийшов м'якішим, налейте води на 1-2 столові ложки більше, а твердішим – на стільки ж менше, ніж запропоновано у таблиці.
- Через деякий час після початку приготування (свій для кожного сорту рису), перевірте густоту та ступінь готовності рису, одночасно помішуючи його.
- До готового рису можна додавати різних приправ для поліпшення його смаку.

Вид рису	Кількість		Час приготування, (хв.)
	Рис	Вода	
БРУНАТНИЙ			
– Звичайний	½ чашки	1 чашка	42-45
– Пропарений	1 чашка	1 ½ чашки	45-50
СУМІШ ДОВГОГО ТА КАНАДСЬКОГО РИСУ			
– Звичайний	170 г	1 ½ чашки	56-58
– Швидкого приготування	190 г	1 ¼ чашки	18-20
– Швидкого приготування	1 чашка	1 ½ чашки	12-15
БІЛИЙ			
– Звичайний	1 чашка	1 ½ чашки	45-50
– Довгий	1 чашка	1 2/3 чашки	50-55

ОВОЧІ

- Ретельно вимийте овочі. Удаліть коріння, зніміть шкірку при необхідності.
- Тривалість приготування залежить від кількості, свіжості та попередньої обробки продуктів. При необхідності час приготування можна змінити.
- Не рекомендується попередньо розморожувати заморожені овочі.
- При приготуванні овочів у чаші для рису, їх необхідно накривати фольгою, щоб запобігти потрапленню надмірної вологи.
- Через 10-12 хвилин після початку приготування заморожені продукти необхідно перемішати.

Свіжі овочі	Вага, г / шт.	Примірний час приготування, (хв)
Спаржа	450	12-14
Бобові:		
– Зелені/віскової зрілості	225	12-14
– Цілі чи дроблені	450	20-22
Буряк (нарізаний)	450	25-28
Брокколі	450	20-22
Брюсельська капуста	450	24-26
Білокачанна капуста (нарізана)	450	16-18
Морква (тонко нарізана)	450	18-20
Цвітна капуста	450	20-22
Кукурудза	3-5 качанів	14-16
Баклажани	450	16-18
Гриби (цілі)	450	10-12
Перець (цілий, без насіння)	До 4-х штук середнього розміру	12-13
Картопля (ціла, рожева)	До 450 г (примірно, 6 бульб)	30-32
Шпинат	225	14-16
Кабачки		
– Жовті чи Цуккіні (нарізані)	50	12-14
Ріпа (нарізана скибочками)	450	20-22
Заморожені овочі	300	28-50

РИБА ТА МОРЕПРОДУКТИ

- Час приготування свіжих чи заморожених та повністю розморожених морепродуктів і риби позначений у таблиці. Рибу та морепродукти слід попередньо почистити і підготувати.
- Для приготування більшості видів риби та морепродуктів потрібно небагато часу. Рекомендується готувати їх невеликими порціями.
- Філе риби можна готувати в чаші для рису як з доданням масла, маргарину, лимону і різних соусів, так і без них.
- Коректуйте час приготування відповідно з вимогами рецепта та в залежності від попередньої обробки продуктів.

Продукт	Вага, г /кількість	Примірний час приготування (хв.)
Креветки (у панцирах)		
– Середні	450	10-12
– Великі	450	16-18
Риба		
– Ціла	225-340	10-12
– Розібрана	225-340	10-12
– Філе	450	10-12
– Нарізана шматочками	450 (~2,5 см товщиною)	16-18

М'ЯСО

Продукт	Вага, г / кількість	Примірний час приготування, (хв.)
Яловичина		
– Лопатка	450	28-30
– Січені біфштекси	450	16-18
– Тефтельки	450	22-24
Кури	450	
– Розібрані	2-4 шматочки	24-26
Баранина		
– Нарізана шматочками	450	26-28
Свинина		
– Нарізана шматочками	450	26-28
Сосиски	450	14-18
Готові ковбаси	450	14-16

ЯЙЦА

Продукт	Вара г/кількість	Примірний час приготування, (хв.)
В шкаралупині		
– Для варіння некруто	1-12 штук	15-18
– Для варіння круто	1-12 штук	19-22
Омлет		
Розбийте у чашу для рису 6 яєць та додайте 2 столові ложки молока, сіль та перець до смаку. Через 10-12 хвилин перемішайте яйця.		20-22

ОЧИЩЕННЯ ТА ДОГЛЯД

- Відключіть пароварку з електромережі та дайте їй цілком остигнути.
- Вилийте воду з піддону для збирання конденсату і резервуара для води.
- Залишки води можна злити через отвір для наповнення, перевернувши пароварку.
- Вимийте кришку, піддон та усі емності теплою водою з милом (можна на верхній полиці посудомийної машини), ретельно ополосніть та висушіть.
- Вимийте резервуар теплою водою з милом, ретельно ополосніть та насухо витріть.
- Заборонено використовувати абразивні чистячі речовини, органічні розчинники і агресивні рідини.
- Через деякий час на нагрівальному елементі може утворитися накип, внаслідок чого пароварка буде вимикатися раніше, ніж продукти встигнуть приготуватися.
- Через 7-10 варок (в залежності від жорсткості води) додайте у резервуар рекомендований засіб для видалення накипу (докладно виконуйте інструкції на упаковці) та наповніть його водою до максимального рівня.
- При очищенні нагрівального елемента від накипу не встановлюйте на резервуар емності для продуктів та не накривайте його кришкою.
- Підключіть пароварку до електромережі. Установіть таймер примірно на 20 хвилин. Після вимикання пароварки (по таймері) відключіть її з електромережі. Перед зливанням води дайте нагрівальному елементу цілком остигнути. Декілька разів промийте нагрівальний елемент та резервуар холодною водою і насухо протріть.

ЗБЕРІГАННЯ

- Перед зберіганням переконайтеся, що прилад відключений з електромережі та цілком охолонув.
- Виконайте усі вимоги розділу ОЧИЩЕННЯ ТА ДОГЛЯД.
- Зберігайте прилад у сухому прохолодному місці.

SCG УПУТСТВО ЗА РУКОВАЊЕ СИГУРНОСНЕ МЕРЕ

- Пажливо прочитайте ово упутство за руковање пре експлоатације уређаја и чувајте га ради информације.
- Пре првог укључења уверите се да техничке карактеристике уређаја, назначене на налепници, одговарају параметрима електричне мреже.
- Неправилна употреба може да доведе до кварења производа, да нанесе материјалну штету и да оштети здравље корисника.
- Користите само у домаћинству. Уређај није намењен за производњу.
- Ако се уређај не користи, увек искључите га из мреже.
- Не ставите уређај и прикључни кабл у воду и друге течности. Ако се то десило, одмах искључите производ из мреже и пре поновне употребе проверите радну способност и сигурност уређаја код стручњака.
- Не користите уређај са оштећеним прикључним каблом и утикачем, ако је уређај пао или добио друга оштећења. За преглед и поправку јавите се у најближи сервиски центар.
- Пазите да прикључни кабл не додирује оштре ивице и вруће површине.
- Када искључујете уређај из мреже, држите се за утикач, не вуците за прикључни кабл.
- Уређај мора да чврсто стоји на сувој равной површини. Не ставите уређај на вруће површине и у близини извора топлоте (наприклад, електричних шпорета), завеса и испод спуштених плафона.
- Никада не остављајте укључени уређај без надзора.
- Не дозвољавајте деци да користе уређај без надзора одраслих.
- Не додирујте вруће површине.
- Да се избегну оштећење струјом и кварење уређаја, користите само делове који улазе у комплет.
- Пре укључења уређаја у мрежу, напуните резервоар за воду. У противном случају резервоар може да се оштети.
- Чиније се не смеју користити за кување паром у микроталасним пећима, на електричним и гасним шпоретима.
- Будите посебно опрезни за време премештања котла са врућом водом или јелом.
- При отварању поклопаца котла који ради, будите опрезни да се не опечете врућом паром. Сачекајте да се кондензат, који се створио на поклопцу, истече у котао.

ПРИПРЕМА ЗА РАД

- Скините све етикете са уређаја.
- Пре првог укључења добро оперите све чиније и делове на скидање са топлом сапунастом водом, затим добро исперите чистом водом и обришите да буду сасвим суви.
- Обришите резервоар за воду са унутрашње стране влажном крпом.

ФУНКЦИЈА “БРЗА ПАРА” (СЛ.1)

- Ако наместите наставка на грејни елемент разрезом према доле, пара ће се створити кроз 35 секунди после укључења котла.

РАД (СЛ.2)

- Наместите котао на стабилну водоравну површину.
- Сипајте у резервоар само чисту воду, не смеју се користити друге течности и додаци. У резервоару има ознаке максималног и минималног пуњења: ниво воде мора да буде између ознака.
- Наместите подметач за кондензат и парне чиније на базу.

НАПОМЕНА: Не допустите да се вода у резервоару спусти испод ознаке за минимални ниво воде.

- Увек ставите намирнице које захтевају више времена за кување (наприклад, веће комаде или др.) у доњу парну чашу.
- Ако за време кувања воде је мање него потребно, можете да насипате воду кроз отвор за пуњење, не скидајући чиније.

ГОРЊА, СРЕДЊА И ДОЊА ПАРНЕ ЧИНИЈЕ

- Ставите поврће, плодове мора или друге намирнице у центар чиније, пазите да отвор за пару не буде прикривен намирницама.

ЧАША ЗА ПИРИНАЧ

- У чашу за пиринач ставите пиринач или друге намирнице, додајте воду, сос, со и др. Затворите поклопац. Укључите котао у мрежу напајања. Наместите на тајмеру време кувања јела. По завршетку овог временског периода зачује се звучни сигнал, светлосни индикатор ће се угасити и котао ће се аутоматски искључити. Откључите уређај од мреже напајања и акуратно скините чиније.
- У рецептима пише приближно време кувања, које зависи од количине, величине и пожељног степена припремљености јела, а такође од вашег укуса. Означени режими су намењени за котао са две чиније. Ако користите три чиније, време кувања мора да се измени.
- Користећи две/три парне чиније, Ви можете да истовремено кувате различита јела, али треба да пазите да се намирнице које кувате подударују према укусу и мирису, јер сокови и масноћа намирница ће да се мешају и могу да покваре јело.
- Када скидате загрејане чиније, које улазе у комплет овог котла, будите опрезни – пазите да се не опечете врућом паром. Користите крпу за прихватање врелих судова.

ПОКАЗИВАЊА ДИСПЛЕЈА (СЛ.3)

- На дисплеју котла могу писати следеће симболе:

- 1 – меморисање подешених параметра.
- 2 – одложено кување.

кување:

- 3 – јаја - 16 минута (номинално време)
- 4 - пиринач - 30 мин.
- 5 – риба - 15 мин.
- 6 – птица - 25 мин.
- 7 – поврће - 20 мин.
- 8 –у резервоару нема доста воде.
- 9 – режим загревања после кувања.
- После укључења котла ради у режиму кувања пиринча, ако нисте изабрали нешто друго (симбол 6, време кувања - 30 минута, показивања дисплеја "0:30").
- На кућишту котла стаје препоруке за кување различитих намирница и време кувања продуката.

КОНТРОЛНА ТАБЛА

ДУГМАД НА КОНТРОЛНОЈ ТАБЛИ

- **ON/OFF** – укључење/искључење котла.
- **MENU** – избор режима кувања.
- **HOURL** – подешавање времена у сатима.
- **MIN** – подешавање времена у минутима.
- **TIME/SAVE (RESET 5 sec.)** – за подешавање времена кувања или укидања подешеног режима, за меморисање новог времена кувања.

ПОДЕШАВАЊЕ ВРЕМЕНА КУВАЊА

- Укључите уређај у мрежу напајања, дисплеј ће показати "0:30".
- Уз помоћ дугмета «**MENU**» подесите режим обраде, зависно од врсте намирнице; на дисплеју ће се показивати текуће време кувања (номинално).
- Дугме «**MIN**» или «**HOURL**» подешава време трајања обраде (могуће је само повећавање дужине обраде).
- Да потврдите почетак кувања, притисните дугме «**ON/OFF**». Гореше светлосни индикатор.
- По завршетку кувања зачује се звучни сигнал (3 пута). Дисплеј ће приказати "0:00" и симбол загревања (9). Котао ће аутоматски радити у режиму загревања, т.ј. сваке 4 минуте котао ће да се укључује и ради 1 минут. Максимално време трајања овог режима је 30 минута.

НАПОМЕНА:

- Ако сте променили номинално време, по завршетку овог временског периода на дисплеју ће писати (1). Притиском дугмета «**TIME/SAVE**», ново подешено време ће се меморисати као номинално.

РЕЖИМ ОДЛОЖЕНОГ КУВАЊА

- Укључите уређај у мрежу напајања, дисплеј ће показати "0:30".
- Уз помоћ дугмета **MENU** подесите режим обраде, зависно од врсте продукта, на дисплеју ће се приказивати време кувања (минимално, номинално).
- Притисните дугме **TIME/SAVE**. Помоћу дугмади «**HOURL**» и «**MIN**» изаберите време, кроз које котао треба да се укључи.
- Да потврдите подешене параметре, притисните дугме **ON/OFF**. Гореше светлосни индикатор, дисплеј ће приказивати симбол часовника.
- По завршетку задатог времена (без евиденције времена кувања) зачују се три кратка звучна сигнала и котао ће да се укључи. Симбол часовника ће нестати са дисплеја.

НАПОМЕНА:

- Дисплеј приказује време целог циклуса: време кувања са евиденцијом времена за које је кување било одложено. На пример, желите да спремите рибу и изабрали сте време обраде 25 минута. Ако је потребно почети кување за 1 сат, притисните дугме **TIME/SAVE** и установите време 1 сат 25 минута помоћу дугмади **HOURL** и **MIN**. За један сат котао ће да почне кување.

ПОВЕЋАЊЕ ВРЕМЕНА КУВАЊА

- У време кувања притисните дугме «**TIME/SAVE**» и држите га у току 2 секунди. Кување ће се зауставити.
- Помоћу дугмета «**MIN**» повећајте време колико је неопходно.
- Да би се обрада наставила, притисните дугме «**ON/OFF**» Ако нисте потврдили продужење кувања, котао ће да га продужи аутоматски за 90 секунди.

ИСКЉУЧЕЊЕ У СЛУЧАЈУ НЕДОСТАТКА ВОДЕ

- Ако за време рада у резервоару је остало сувише мало воде, котао ће се аутоматски искључити, дисплеј ће приказати симбол недостатка воде.
- После долевања неопходне количине воде притисните дугме **ON/OFF** за продужење кувања.

ЗАУСТАВЉАЊЕ КУВАЊА

- Притисните и држите дугме **ON/OFF**. Котао ће се искључити, дисплеј ће приказати "0:00".
- **ПОНИШТАВАЊЕ ЗАДАТИХ ПАРАМЕТАРА**
- Да би поништили промене номиналних параметара, укључите котао у мрежу напајања, притисните и држите дугме **TIME/SAVE (RESET 5 sec.)** у току 5 секунди.

ПОДГРЕВАЊЕ ХЛЕБА И ПОЛУФАБРИКАТА

- Подгревајући хлеб, не треба да га прекривате.
- Време подгревања полуфабриката зависи од температуре њиховог замрзавања и чувања.
- Приликом подгревања полуфабриката у чаши за пиринач равномерно разложите продукте и ставите на чашу алуминијску фолију.

ПИРИНАЧ И ПРЕКРУПА

- У зависности од врсте пиринча, он се кува у различитим режимима.
- Ставите пиринач у чашу за кување пиринча и додајте воду у резервоар према препорукама. Затворите поклопац и укључите котао.
- Да би пиринач био мекши, сипајте 1-2 кашике воде више него што препоручује табела, а да добијете тврђи пиринач – сипајте 1-2 кашике воде мање него у табели.
- За неко време после почетка кувања (ово време зависи од врсте пиринча), проверите густину и степен готовости пиринча, истовремено га мешајући.
- У готови пиринач могу да се ставе различити зачини да би изменили његов укус.

Врста пиринча	Количина		Време кувања, (мин.)
	Пиринач	Вода	
СМЕЂИ			
– Обични	½ шоље	1 шоља	42-45
– Парени	1 шоља	1 ½ шоље	45-50
СМЕСА ДУГОГ И КАНАДСКОГ ПИРИНЧА			
– Обични	170 g	1 ½ шоље	56-58
– Брзог кувања	190 g	1 ¾ шоље	18-20
Брзог кувања	1 шоља	1 ½ шоље	12-15
БЕЛИ			
– Обични	1 шоља	1 ½ шоље	45-50
– Дуги	1 шоља	1 2/3 шоље	50-55

ПОВРЋЕ

- Добро оперите поврће. Удаљите коренчиће, и, ако је потребно, скините кожицу.
- Време спремања зависи од количине, свежине и почетне обраде продукта. Ако је неопходно, време спремања се може изменити.
- Не препоручује се унапред отапати замрзнуто поврће.
- Приликом спремања поврћа у чаши за пиринач потребно је да их прекривате фолијом, да се у чаши не нађе сувишна влага.
- 10-12 минута после почетка кувања неопходно је промешати замрзнуте продукте.

Свеже поврће	Тежина, г / комада.	Приближно време припремања, (мин)
Шпаргла	450	12-14
Махунарке:		
– Зелени/недозрели	225	12-14
– Цели или удробљени	450	20-22
Цвекла (исечена)	450	25-28
Брокуле	450	20-22
Прокулица	450	24-26
Бели купус (исечен)	450	16-18
Шаргарепа (исечена у танке комаде)	450	18-20
Карфиол	450	20-22
Кукуруз	3-5 клипа	14-16
Патлициани	450	16-18
Печурке (целе)	450	10-12
Паприка (цела, без семена)	До 4 комада средње величине	12-13
Кромпир (цели, ружичасти)	До 450 (око 6 малих кртола)	30-32
Спанаћ	225	14-16
Тиквице		
– Жуте или цујкини (исечени)	50	12-14
Репа (исечена)	450	20-22
Замрзнуто поврће	300	28-50

РИБА И ПЛОДОВИ МОРА

- Време кувања свежих или замрзнутих и размрзнутих плодова мора и рибе стоји у табели. Рибу и плодови мора је неопходно претходно очистити и припремити.
- За кување већине врста рибе и плодова мора није потребно много времена. Препоручује се да их кувате малим порцијама.
- Филе рибе можете да кувате у чаши за пиринач, додавши, ако желите, маслац, маргарин, лимун и различите сосове.
- Измењујте време кувања у складу са рецептом и у зависности од претходне обраде продукта.

Производ	Тежина, г /количина	Приближно време припремања (мин.)
Кревете (у оклопу)		
– Средње	450	10-12
– Велике	450	16-18
Риба		
– Цела	225-340	10-12
– Уређена	225-340	10-12
– Филе	450	10-12
– Исечена у комаде	450 (дебљина ~2,5 cm)	16-18

МЕСО

Производ	Тежина, г /количина	Приближно време припремања (мин.)
Говеђе месо		
– Лопатица	450	28-30
– Сецкани бифтек	450	16-18
– Ђуфтета	450	22-24
Пилетина	450	
– Уређена	2-4 комада	24-26
Овчетина		
– Исечена у комаде	450	26-28
Свињетина		
– Исечена у комаде	450	26-28
Виршле	450	14-18
Готове кобасице	450	14-16

ЈАЈА

Производ	Тежина (г) /количина	Приближно време припремања (минуты)
У љусци		
– За меко кувана јаја	1-12 комада	15-18
– За тврдо кувана јаја	1-12 комада	19-22
Омлет		
Разбијте у чашу за пиринач 6 јаја и додајте 2 кашике млека, со и бибер према укусу. За 10-12 минут промешајте јаја.		20-22

ЧИШЋЕЊЕ И ОДРЖАВАЊЕ

- Откључите котло од мреже напајања и сачекајте док се потпуно охлади.
- Излијте воду из ладнице за кондензат и резервоара за воду.
- Преосталу воду можете испити кроз отвор за пуњење, окренувши котло према доле.
- Оперите поклопац, ладницу и све чиније топлом водом и сапуном (све то можете опрати на горњој полици машине за прање судова), добро исперите и осушите.
- Оперите резервоар топлом сапунастом водом, затим добро исперите чистом водом и обришите.
- Не користите абразивне детерџенте, органске раствараче и агресивне течности.
- Кроз неко време на грејном елементу таложи се каменац, због чега котло ће да се искључује пре него што намирнице буду готове.
- Кроз 7-10 кувања (зависи од тврдоће воде) додајте у резервоар средство које се препоручује за уклањање каменца (доследно пратите упутства назначена на паковању) и напуните га водом до максималног нивоа.
- Током уклањања каменца са грејног елемента не ставите на резервоар чиније за продукте и не затварајте поклопац.
- Укључите котло у мрежу напајања. Подесите на тајмеру 20 минута. Када се котло искључи (у складу са подешеним временом), откључите га од мреже напајања. Пре него што излијете воду, грејни елемент треба да се потпуно охлади. Оперите грејни елемент и резервоар хладном водом и добро обришите.

ЧУВАЊЕ

- Пре чувања убедите се да је уређај искључен из мреже и потпуно се охладио.
- Урадите све захтеве раздела ЧИШЋЕЊЕ И ОДРЖАВАЊЕ.
- Чувајте уређај на сувом хладном месту.

EST KASUTAMISJUHEND

OHUTUSNÕUANDED

- Enne seadme kasutuselevõttu tutvuge tähelepanelikult käesoleva juhendiga. Nii väldite võimalikke vigu ja ohte seadme kasutamisel. Ning hoidke kasutusjuhend tuleviku tarbeks alles.
- Enne auruti esimest vooluvõrku lülitamist kontrollige, et seadme etiketil osutatud andmed vastaksid kohaliku vooluvõrgu andmetele.
- Vale kasutamine võib põhjustada seadme riket, materiaalselt kahju, ka auruti kasutaja tervise kahjustamist.
- Antud seade on mõeldud ainult koduseks kasutamiseks, mitte tööstuslikuks kasutamiseks.
- Eemaldage seade vooluvõrgust ajaks, mil seda ei kasutata.
- Ärge asetage seadet ja toite juhet vette ja teistesse vedelikesse. Kui seade on vette sattunud, eemaldage seade kohe vooluvõrgust ja pöörduge teeninduskeskuse poole kontrollimiseks.
- Ärge kasutage vigastatud elektrijuhtme või pistikuga, samuti maha kukkunud või muul moel vigastada saanud seadet. Vea kõrvaldamiseks pöörduge autoriseeritud teeninduskeskuse poole.
- Jälgige seda, et juhe ei puutuks vastu teravaid servi ja kuumi pindu.
- Ärge eemaldage seadet vooluvõrgust juhtimest tõmmates vaid alati tuleb hoida kinni juhtme otsas olevast pistikust.
- Asetage seade kuivale tasasele pinnale. Ärge asetage seadet kuumale pinnale. Ärge jätke seadet kuumade kohtade (nt. elektriahju jm), kardinate lähedale ja riulite alla.
- Ärge jätke töötavat seadet järelvalveta.
- Ärge laske lastel seadet kasutada ilma täiskasvanu juuresolekuta.
- Ärge puudutage kuumi pindu.
- Elektrilöögi saamise ja seadme riknemise vältimiseks ärge kasutage tarvikuid, mis ei kuulu komplekti.
- Enne auruti vooluvõrku ühendamist täitke reservuaar veega. Vastasel juhul võib seade rikki minna.
- Ärge pange auruti anumaid mikrolaineahju, elektri- või gaasipliidile.
- Teisaldage kuumaa vee või toiduga anum maksimaalse ettevaatusega.
- Olge ettevaatlik töötava auruti kaane avamisel, väljuv aur võib tuua kaasa põletusi. Laske kaane peale kogunenud kondensveel voolata anumasse tagasi.

ETTEVALMISTUS KASUTAMISEKS

- Eemaldage seadmelt kõik etiketid.
- Enne esmakordset kasutamist peske hoolikalt kõik anumad ja eemaldatavad osad sooja seebiveega, loputage ja pühkige üle kuiva riidega.
- Pühkige veereservuaar seestpoolt niiske lapiga.

„KIIRAURU” – FUNKTSIOON (JONIS 1)

- Asetage otsik küttekehale piluga allapoole, aur moodustub juba 35 sekundit pärast sisselülitamist.

KASUTAMINE (JONIS 2)

- Asetage auruti kindlale horisontaalsele pinnale.
- Täitke reservuaar ainult puhta veega; ärge kasutage muid vedelikke ja toidulisandeid. Reservuaaril on olemas maksimaalse ja minimaalse veetaseme tähised: veetaseme peab jääma nende vahele.
- Asetage alus kondensvee kogumiseks ja auru anumad auruti alusele.

TÄHELEPANU: Ärge laske veel langeda alla minimaalse taseme.

- Alati pange pikemat valmistamisaega vajavad toiduained (nt. suuremad või muud) alumisse auru anumasse.
- Kui valmistamise ajal selgub et vett on alla normi võib seda lisada vee lisamise ava kaudu auruti anumata maha võtmata.

ÜLEMINE, KESKMINE JA ALUMINE AURUANUMAD

- Asetage juurviljad, mereannid või muud toiduained auru anuma keskele, võimaluse korral mitte sulgeda auruavasid.

RIISIKEETMISANUM

- Pange riis või teised toiduained riisikeetmisanumasse, lisage vett, kastet või muu. Sulgege kaas. Ühendage auruti vooluvõrku. Keerake taimer ajale roa valmistamiseks. Valmimisel kõlab helisignaal, märgutuli kustub ja auruti lülitub automaatselt välja, märgutuli kustub, ning auruti lülitub automaatselt välja. Eemaldage seade vooluvõrgust ja eemaldage ettevaatlikult auru anumad.
- Auru kõõgi retseptides on märgitud ligikaudne valmistamisaeg, mis sõltub toidu kogusest, mahust ja soovitud valmimisastmest ning isiklikust maitsest. Pakutatavad režiimid on ette nähtud aurutamiseks kahes anumad. Töötamisel kolme anumaga tuleb valmistamisaega korrigeerida.
- Kahe/kolme auru anuma kasutamisel on võimalik valmistada üheaegselt erinevad road. Kuid, tuleb meeles pidada, et valmistatavad toiduained peavad olema kokkusobivad ning ühtima lõhna järgi, sest nende mahl ja rasv segunevad ja võivad rikkuda toidu.
- Komplektis asuvate anumate mahatõstmisel olge ettevaatlik, ärge põletage end kuumaa auruga. Kasutage pajakindaid.

DISPLEI NÄITAJAD (JONIS 3)

- Auruti displeil on järgmised sümbolid:
 - 1 – paigalduse säilitamine.
 - 2 – edasilükatud valmistamine.

valmistamine:

- 3 – muna - 16 min. (vaikimisi aeg)
 - 4 - riis - 30 min.
 - 5 – kala - 15 min.
 - 6 – linnuliha - 25 min.
 - 7 – juurviljad - 20 min.
 - 8 – vee puudus reservuaaris.
 - 9 – järelsoojenduse režiim pärast valmimist.
- Pärast sisselülitamist läheb auruti vaikimisi riisi valmistamise režiimi (sümbol6; valmistamisaeg-30 min, displei näit“0:30”).
 - Auruti korpusel on olemas erinevate toiduainete valmistamise soovitusliikud ajad.

JUHTPANEEL

JUHTPANEELI NUPUD

- **ON/OFF** – auruti sisse/väljalülitus
- **MENU** – valmistamise režiimi valik
- **HOUR** – tundide paigaldus
- **MIN** – minutite paigaldus
- **TIME/SAVE (RESET 5 sek.)** – Valmistamisaja paigaldus või selle kustutamine, samas uue valmistamisaja säilitamine.

VALMISTAMISAJA PAIGALDAMINE

- Ühendage seade vooluvõrku, displei näitab “0:30”.
- Kasutades nuppu “MENU” paigaldage töötlemisrežiim sõltuvalt ainetel iseloomust, sel ajal tuleb displeile jooksev valmistamisaeg (vaikimisi).
- Paigaldage valmistamisaeg nuppude «MIN» või «HOUR» abil (aega võib ainult pikendada).
- Valmistamise alustamise kinnitamiseks vajutage nuppu «ON/OFF». Sel ajal süttib märgutuli.
- Valmistamisaja täitumisel kõlab 3-kordne helisignaal. Displeile ilmub “0:00” ja soojendamise sümbol (9). Auruti läheb automaatselt soojendamisrežiimi, st.iga 4 min järel ta lülitub 1 min-ks sisse. Maksimaalne režiimi tegevusaeg on 30 min.

MÄRKUS:

- Kui eelnevalt vaikimisi paigaldatud aeg on muudetud, selle lõppemisel tuleb displeile sümbol (1). Vajutades nuppu "TIME/SAVE", säilitate uue vaikimisi valitud aja.

AJATATUD VALMISTAMISREŽIIM

- Ühendage seade vooluvõrku, displeile ilmub "0:30".
- Kasutades nuppu "MENU" paigaldage töötlemisrežiim sõltuvalt ainete iseloomust, sel ajal tuleb displeile jooksev valmistamisaeg (vaikimisi).
- Vajutage nuppu **TIME/SAVE**. Nuppudega «**HOUR**» и «**MIN**» valige aeg, pärast mida aruti lülitub sisse.
- Valmistamise alustamise kinnitamiseks vajutage nuppu «**ON/OFF**». Sel ajal süttib märgutuli ja displeile ilmub kella sümbol.

Kui valitud aeg lõpeb (välja arvatud valmistamisaeg), kõlab 3-kordne lühike signaal ja auruti lülitub sisse. Kella sümbol kaob displeilt.

TÄHELEPANU:

- Displei näitab kogu järgnevat tsükliit: edasi lükatud valmistamisaeg. Näiteks, soovite valmistada kala ja valisite kestvuse 25 min. Kui on vaja alustada valmistamist 1 tunni pärats, vajutage nuppu TIME/SAVE ja paigaldage aeg 1 tund 25 min HOUR ja MIN nuppude abil. Tunni aja pärast auruti alustab tööd.

VALMISTAMISKESTVUSE PIKENDAMINE

- Valmistamise ajal vajutage nuppu «TIME/SAVE» ja hoidke seda 2 sek jooksul. Auruti töö katkeb.
- Nupu «MIN» abil lisage aega.
- Jätkamiseks vajutage nuppu «ON/OFF». Kui te ei kinnita jätkamise soovi, auruti 90 sek pärast automaatselt jätkab valmistamist.

VÄLJALÜLITAMINE VEE VÄHESUSE TÕTTU

- Kui töö käigus selgub et anumasse on vähe vett, auruti lülitub automaatselt välja ja displeile ilmub sümbol vee vähesus.
- Pärast vajaliku koguse vee lisamist vajutage protsessi jätkamiseks nuppu **ON/OFF**

VALMISTAMISE KATKESTAMINE

- Vajutage ja hoidke nuppu ON/OFF. Auruti lülitub välja ja displeile ilmub "0:00".

VALITUD KORRALDUSEST LOOBUMINE

- Korraldusest loobumisest vaikimisi, lülitage auruti vooluvõrku, vajutage ja hoidke nuppu **TIME/SAVE (RESET 5 sec.)** 5 sekundi jooksul.

LEIVA JA POOLFABRIKAATIDE SOOJENDAMINE

- Soojendamisel ärge leiba millegagi katke.
- Poolfabrikaatide soojendamise aeg sõltub nende külmutamise ja säilitamise temperatuurist.
- Poolfabrikaatide soojendamisel paigutage nad riisikeetmisanumasse ühtlaselt ja katke anum alumiiniumfooliumiga.

RIISI JA TANGUD

- Valmistamise režiimi tuleb valida olenevalt riisi sordist.
- Riisikeetmisanumasse paigutage riis, lisage anumasse vett toetudes nende soovitudele. Sulgege kaan ja lülitage auruti tööle.
- Selleks, et riis valmiks pehmem, lisage vett 1-2 spl rohkem, kui soovite kõvemat riisi, lisage vett 1-2 spl vähem kui soovitatud tabelis.
- Mõne aja möödudes (sõltuvalt riisisordist), kontrollige tihedust ja valmidusastet, smas segades.
- Valmis riisile võib lisada erinevaid maitseaineid riisi maitsestamiseks.

Riisi sort	Kogus		Valmistamisaeg, (min.)
	Riis	Vesi	
PRUUN			
- Tavaline	½ tassi	1 tass	42-45
- Läbiaurutatud	1 tass	1 ½ tassi	45-50
PIKATERALISE JA KANADA RIISI SEGU			
- Tavaline	170 g	1 ½ tassi	56-58
- Kiirvalmistamine	190 g	1 ¾ tassi	18-20
Kiirvalmistamine	1 tass	1 ½ tassi	12-15
VALGE			
- Tavaline	1 tass	1 ½ tassi	45-50
- Pikateraline	1 tass	1 2/3 tassi	50-55

JUURVILJAD

- Peske hoolikalt juurviljad. Eemaldage juured ja vajadusel koorige.
- Valmistamisaeg on toiduainete kogusest, värskest ja eelnevalt töötlemisest. Vajadusel võib valmistamisaega muuta.
- Juurvilja ei soovitata eelnevalt sulatada.
- Riisikeetmisanumasse juurviljade valmistamisel peab neid katma fooliumiga, et vältida üleliigset niiskust.
- 10-12 min möödumisel külmutatud toiduaineid tuleb segada.

Värsked juurviljad	Kaal, g / tk.	Ligikaudne valmistamisaeg, (min)
Spargel	450	12-14
Kaunviljalised:		
- Rohelised/vahaküps	225	12-14
- Terviklikud või tükeldatud	450	20-22
Punapeet (tükeldatud)	450	25-28
Brokkoli	450	20-22
Brüsseli kapsas	450	24-26
Valge peakapsas (tükeldatud)	450	16-18
Porgand (peenestatud)	450	18-20
Lillkapsas	450	20-22
Mais	3-5 tšivikut	14-16
Baklažaanid	450	16-18
Seened (terviklikud)	450	10-12
Paprika (terviklik, seemneteta)	Kuni 4 tk, keskmist suurust	12-13
Kartul (terviklik, roosa)	Kuni 450 (ligikaudu 6 väikest mugulat)	30-32
Spinat	225	14-16
Kabatšokk:		
- Kollane või или Tsukkini (tükeldatud)	50	12-14
Naeris (tükeldatud)	450	20-22
Külmutatud juurviljad	300	28-50

KALA JA MEREANNID

- Värskete või külmutatud ja ülesulatatud saaduste valmistamisaeg on näidatud tabelis. Kala ja mereannid tuleb eelnevalt puhastada ja ette valmistada.
- Erinevat liiki kala ja mereandide valmistamine nõuab vähest aega. Soovitatavalt valmistada väiksemate portsjonite kaupa.
- Kalafleed võib valmistada riisikeetmisanumasse lisades õli, margariini, sidrunit ja erinevaid kastmeid või ilma nendeta.
- Korrigeerige valmistamisaega vastavalt retseptile ja sõltuvalt ainete eelnevalt töötlemisest.

Toiduaine	Kaal, g /kogus	Ligikaudne valmistamisaeg, (min)
Krevetid kilbiga		
– Keskmised	450	10-12
– Suured	450	16-18
Kala		
– Tervikliik	225-340	10-12
– Töödeldud	225-340	10-12
– Filee	450	10-12
– Tükeldatud	450 (~2,5 cm paksusega)	16-18

LIHA

Toiduaine	Kaal, g / kogus	Ligikaudne valmistamisaeg, (min)
Loomaliha		
– Abaluu	450	28-30
– Raiutud biifsteek	450	16-18
– Hakklihapallid	450	22-24
Kana	450	
– Töödeldud	2-4 tk	24-26
Lambaliha		
– Tükeldatud	450	26-28
Sealiha		
– Tükeldatud	450	26-28
Viinerid	450	14-18
Vorst	450	14-16

MUNAD

Toiduaine	Kaal (g)/kogus	Ligikaudne valmistamisaeg, (min)
Muna kooses		
– Poolpehme muna keetmiseks	1-12 tk	15-18
– Muna kõvaks keetmiseks	1-12 tk	19-22
Omlett		
Lööge kaussi lahti kuus muna ja lisage 2 spl piima, soola ja pipart maitse järgi. 10-12 min pärast segage mune.		20-22

PUHASTUS JA HOOLDUS

- Eemaldage auruti vooluvõrgust ja laske sellel täielikult maha jahtuda.
- Valage vesi veereservuaarist ja kondensvee kogumiseks aluselt.
- Vee ülejäägid võib välja valada vee sissevooluava kaudu, pöörates auruti ümber.
- Peske kaas, kondensvee kogumiseks alus ja kõik anumad sooja seebiveega (võib panna nõudepesumasinasse ülemisesse korvi), loputage hoolikalt ja kuivatage.
- Peske reservuaar sooja seebiveega, loputage hoolikalt ja pühkige üle kuiva riidega.
- Ärge kasutage abrasiivseid puhastusvahendeid ega organilisi lahusteid.
- Mõne aja möödudes võib tekkida soojuselemendile kattakivi. Seoses sellega hakkab auruti välja lülituma varem kui toit jõuab valmida.
- Pärast 7-10 keetmist (sõltuvalt vee karedusest) lisage reservuaari soovitatud vahendit kattakivi eemaldamiseks (jäljige täpselt instruksiooni pakendil) ja täitke veega maksimaalse tasemeni.
- Kütteelemendi pealt kattakivi eemaldamisel ärge asetage anumad reservuaari peale ja ärge katke seda kaanega.
- Lülitage auruti vooluvõrku. Paigaldage taimer umbes 20 min. Peale auruti väljalülitamist (taimeri järgi) lülitage see vooluvõrgust välja. Enne vee äravalamist lubage soojenduselemendil täielikult maha jahtuda. Peske soojenduselement ja reservuaari mitu korda külma veega ja kuivatage.

HOIDMINE

- Enne hoiule panekut veenduge, et seade on vooluvõrgust eemaldatud ja on täielikult maha jahtunud.
- Täitke nõudmised PUHASTUS JA HOOLDUS.
- Hoidke seadet jahedas kuivas kohas.

LV LIETOŠANAS INSTRUKCIJA

DROŠĪBAS PASĀKUMI

- Pirms ierices ekspluatācijas uzmanīgi izlasiet īsto ekspluatācijas instrukciju, lai izvairītos no bojājumu radīšanas lietošanas laikā un saglabājat to kā izziņas materiālu.
- Pirms pirmreizējās ieslēgšanas pārbaudiet, vai izstrādājuma tehniskais raksturojums uzlīmē atbilst elektrotīkla parametriem.
- Nepareiza ierices lietošana var radīt tās bojājumus, materiālus zaudējumus un lietotāja veselības kaitējumus.
- Izmantot tikai sadzīves nolūkos, atbilstoši dotajai ekspluatācijas instrukcijai. Izstrādājums nav paredzēts rūpnieciskai izmantošanai.
- Vienmēr atslēdziet ierīci no elektrotīkla, ja Jūs to neizmantojat.
- Negremdējiet ierīci un barošanas vadu ūdenī vai kādā citā šķīdumā. Ja tas ir noticis nekavējoties atslēdziet ierīci no elektrotīkla, pirms tālākas ierices izmantošanas pārbaudiet tā darbaspēju un drošību pie kvalificētiem speciālistiem.
- Neizmantojiet ierīci ar bojātu barošanas vadu vai kontaktdakšu, pēc nokrišanas vai citiem bojājumiem. Ierices pārbaudei un remontam griezties tuvākajā Servisa centrā.
- Sekoņiet līdzi, lai barošanas vads neskartos klāt asām malām un karstām virsmām.
- Atslēdzot ierīci no elektrotīkla velciet aiz kontaktdakšas nevis vada.
- Ierīcei jābūt stabili novietotai uz sausas līdzenas virsmas. Nenovietojiet to uz karstām virsmām, kā arī blakus siltuma avotiem (piemēram, elektriskām plītnīm), aizkariem un zem piekaramajiem griestiem.
- Nekad neatstājiet ieslēgtu ierīci bez uzraudzības.
- Neatļaujiet bērniem pastāvīgi izmantot ierīci bez pieaugušo uzraudzības.
- Neskarīties klāt karstām virsmām.
- Lai izvairītos no elektrostrāvas sitiena un ierices bojājumiem, izmantojiet tikai tos piederumus, kas ietilpst pamatnes komplektā.
- Pirms tvaika katla pieslēgšanas elektrotīklam, piepildiet ūdens rezervuāru. Pretējā gadījumā ierīce var sabojāties.
- Nepieļaujiet tvaika katla tilpņu izmantošanu mikroviļņu krāsnīs, uz elektriskām vai gāzes plītnīm.
- Pārvietojiet tvaika katlu ar karstu ūdeni vai ēdiena ļoti uzmanīgi.
- Attaisot tvaika katla vāciņu tā darbības laikā, esiet uzmanīgi, neapdedzinieties ar karstu tvaiku. Ļaujiet, lai kondensāts, kas sakrājas uz vāciņa, notek atpakaļ tilpnē.

SAGATAVOŠANĀS DARBAM

- Noņemiet no ierīces visas etiķetes.
- Pirms pirmreizējās izmantošanas kārtīgi izmazgājiet visas tilpnes un noņemamās daļas ar siltu ūdeni un ziepēm, noslaukiet pilnībā sausu.
- Izslaukiet ūdens rezervuāru no iekšpuses ar mitru drānu.

FUNKCIJA “ĀTRAIS TVAIKS” (ZĪM. 1)

- Ja uz sildīšanas elementiem uzstādīsiet uzgali ar izgriezumu uz leju, tvaiks sāks veidoties jau pēc 35 sekundēm pēc tvaika katla ieslēgšanas.

DARBS (ZĪM. 2)

- Uzstādiet tvaika katlu uz stabilas, horizontālas virsmas.
- Rezervuārā lejiet tikai tīru ūdeni; nepieļaujiet citu šķīdumu un ēdienu piedevu izmantošanu. Rezervuāram ir atzīmes maksimālai un minimālai uzpildīšanai: ūdens līmenim jābūt vidējam.

- Uzstādiet paliktni kondensāta savākšanai un tvaika tilpnes uz bāzes.

UZMANĪBU: Nepieļaujiet, lai ūdens līmenis rezervuārā būtu zemāks par minimālo.

- Produktus, kuri gatavojas ilgāk (piemēram, samērā lieli u.c.) vienmēr lieciet apakšējā tvaika tilpnē.
- Ja gatavošanas laikā ūdens ir zem normas, to var ieliet caur iepildīšanas atvērumu, nenogremot tvaika tilpnes.

APAKŠĒJĀ, VIDĒJĀ UN AUGŠĒJĀ TVAIKA TILPNE

- Ievietojiet dārzeņus, jūras vai citus produktus tvaika tilpnes centrā, tā, lai atvērumi tvaikam nebūtu aizsegti.

BLŪDA RĪSIEM

- Bljodā priekš rīsiem ievietojiet rīsus vai citus produktus, pievienojiet ūdeni, mērci vai citu. Aiztaisiet vāciņu. Pieslēdziet tvaika katlu pie elektrotīkla. Uzstādiet uz taimera ēdiena gatavošanas laiku. Pēc laika iztecēšanas noskanēs skaņas signāls, gaismas indikators nodzisis un tvaika katls automātiski izslēgsies. Atslēdziet ierīci no elektrotīkla un uzmanīgi noņemiet tvaika tilpnes.
- Tvaika virtuves receptēs norādīts aptuvenais pagatavošanas laiks, kas atkarīgs no produktu daudzuma, izmēriem un vēlamās gatavības pakāpes, kā arī personīgām garšas īpašībām. Piedāvātie režīmi paredzēti tvaika katlam ar divām tilpnēm. Darbam ar trīs tilpnēm gatavošanas laiku nepieciešams saskaņot.
- Izmantojot divas/trīs tvaika tilpnes iespējams gatavot vairākus ēdienus, tomēr, jāņem vērā, ka produktiem ir jābūt savienojamiem un saskanīgiem pēc smaržām, ņemot vērā, ka sula un tauki gatavošanas laikā sajaucas un var sabojāt ēdienu.
- Noņemot uzsildītās tilpnes, kas ietilpst tvaika katla komplektā, esiet uzmanīgi – neapdedzinieties ar karsto tvaiku. Izmantojiet virtuves cimds vai aizķeres.

DISPLEJA RĀDĪJUMI (ZĪM. 3)

- Uz tvaika katla displeja var atspoguļoties sekojoši simboli:
 - 1 – uzstādījumu saglabāšana.
 - 2 – gatavošanas atlikšana.

gatavošana:

- 3 – olas - 16 minūtes (noklusējuma laiks)
- 4 - rīsi - 30 min.
- 5 – zivis - 15 min.
- 6 – putnu gaļa - 25 min.
- 7 – dārzeņi - 20 min.
- 8 – nepietiekams ūdens daudzums rezervuārā.
- 9 – uzsildīšanas režīms pēc pagatavošanas.
- Pēc ieslēgšanas tvaika katls pēc noklusējuma pāriet rīsu gatavošanas režīmā (simbols 6; gatavošanas laiks – 30 minūtes; displeja rādījums "0:30").
- Uz tvaika katla korpusa atrodas rekomendācijas dažādu produktu gatavošanai ar laika norādēm.

VADĪBAS PANELIS

POGAS UZ VADĪBAS PANEĻA

- **ON/OFF** – tvaika katla ieslēgšana/izslēgšana
- **MENU** – gatavošanas režīma izvēle
- **HOUR** – pulksteņa uzstādīšana
- **MIN** – minūšu uzstādīšana
- **TIME/SAVE (RESET 5 sec.)** – gatavošanas laika uzstādīšanai vai uzdotā režīma atcelšanai, kā arī jauna gatavošanas laika uzstādījumu saglabāšanai.

GATAVOŠANAS LAIKA UZSTĀDĪŠANA

- Pieslēdziet ierīci pie elektrotīkla, displejs parādīs "0:30".
- Ar pogu «**MENU**» uzstādiet apstrādes režīmu atkarībā no produktu veida, pie tam uz displeja būs norādīts tekošais gatavošanas laika uzstādījums (pēc noklusējuma).
- Ar pogu «**MIN**» vai «**HOUR**» uzstādiet apstrādes ilgumu (laiku var tikai palielināt).
- Lai apstiprinātu gatavošanas sākumu nospiediet pogu «**ON/OFF**». Iedegsies gaismas indikators.
- Pēc uzdotā laika iztecēšanas 3 reizes noskanēs skaņas signāls. Uz displeja parādīsies "0:00" un uzsildīšanas simbols (9). Tvaika katls automātiski ieies uzsildīšanas režīmā, t.i. ik pēc 4 minūtēm tā ieslēgsies uz 1 minūti. Maksimālais režīma darbības laiks 30 minūtes.

PIEZĪME:

- Ja iepriekšnoteiktais laiks pēc noklusējuma ticis izmainīts, pēc tā iztecēšanas uz displeja parādīsies simbols (1). Nospiežot pogu "**TIME/SAVE**", saglabājat to kā jaunu uzstādījumu laikam pēc noklusējuma.

ATLIKTAIS GATAVOŠANAS REŽĪMS

- Pieslēdziet ierīci pie elektrotīkla, displejs parādīs "0:30".
- Ar pogu **MENU** uzstādiet apstrādes režīmu atkarībā no produktu veida, uz displeja būs redzams gatavošanas laiks (minimālais pēc noklusējuma).
- Nospiediet pogu **TIME/SAVE**. Ar pogām «**HOUR**» un «**MIN**». Uzstādiet laiku, kad tvaika katlam jāieslēdzas.
- Lai apstiprinātu nospiediet pogu **ON/OFF**. Iedegsies gaismas indikators un uz displeja parādīsies pulksteņa simbols.
- Pēc uzdotā laika iztecēšanas (bez gatavošanas laika uzskaites) noskanēs 3 īsi skaņas signāli un tvaika katls ieslēgsies. Pulksteņa simbols uz displeja pazudīs.

PIEZĪME:

- Displejs rāda pilnu turpināšanas ciklu: gatavošanas laiks ar uzskaiti laika pagarināšanai. Piemēram, Jūs gribat pagatavot zivi un esat uzstādījuši apstrādes turpināšanas 25 minūtes. Ja to nepieciešams sākt gatavot pēc 1 stundas, nospiediet pogu **TIME/SAVE** un uzstādiet laiku 1 stunda un 25 minūtes ar pogu **HOUR** un **MIN** palīdzību. Pēc stundas tvaika katls sāks gatavošanas procesu.

GATAVOŠANAS TURPINĀŠANAS PAGARINĀŠANA

- Gatavošanas laikā nospiediet pogu «**TIME/SAVE**» un turiet to 2 sekundes. Vārtīšanās tiks apturēta.
- Ar pogu «**MIN**» palieliniet nepieciešamo laiku.
- Apstrādes turpināšanai nospiediet pogu «**ON/OFF**». Ja Jūs apstiprināsiet turpināšanu, tvaika katls pēc 90 sekundēm automātiski turpinās gatavošanu.

ATLĒGŠANĀS NEPIETIEKAMA ŪDENS DAUDZUMA GADĪJUMĀ

- Ja darbības laikā rezervuārā būs nepietiekams ūdens daudzums, tvaika katls automātiski atslēgsies un uz displeja parādīsies neietiekama ūdens daudzuma simbols.
- Pēc nepieciešamā ūdens daudzuma ieliešanas nospiediet pogu **ON/OFF** gatavošanas procesa turpināšanai.

GATAVOŠANAS APTURĒŠANA

- Nospiediet un turiet pogu **ON/OFF**. Tvaika katls atslēgsies un displejs rādīs "0:00".

UZDOTO UZSTĀDĪJUMU ATCELŠANA

- Lai izmainītu laiku pēc noklusējuma uzstādījumus, pieslēdziet tvaika katlu pie elektrotīkla, nospiediet un turiet pogu **TIME/SAVE (RESET 5 sec.)** 5 sekundes.

MAIZES UN PUSFABRIKĀTU UZSILDĪŠANA

- Sildot maizi neapsedziet to.
- Pusfabrikātu sildīšanas laiks atkarīgs no to sasaldēšanas temperatūras un glabāšanas.
- Sildot pusfabrikātus bljodā priekš rīsiem, vienmērīgi salieciet tos un apsēdziet ar alumīnija foliju.

RĪSI UN PUTRAIMI

- Atkarībā no rīsu šķirnes, tos ieteicams gatavot dažādos režīmos.
- Bļodā rīsu gatavošanai ielieciet rīsus un ielejiet ūdeni rezervuārā atbilstoši rekomendācijām. Aiztaisiet vāciņu un ieslēdziet trauka katlu.
- Lai rīsi būtu mīkstāki pielejiet par 1-2 ēdamkarotēm ūdens vairāk, cietākiem – tikpat mazāk, par rekomendācijā noteikto.
- Pēc neilga laika no gatavošanas sākuma (savš katrā rīsu šķirnei), pārbaudiet rīsu biežumu un gatavības pakāpi, vienlaicīgi apmaisot.
- Gataviem rīsiem var pievienot dažādas garšvielas garšas izmaiņai.

Rīsu veids	Daudzums		Gatavošanas laiks, (min.)
	Rīsi	Ūdens	
BRŪNIE			
– Parastie	½ bļoda	1 bļoda	42-45
– Tvaicētie	1 bļoda	1 ½ bļodas	45-50
GARO UN KANĀDAS RĪSU MAISIJUMS			
– Parastie	170 g	1 ½ bļodas	56-58
– Ātras pagatavošanas	190 g	1 ¼ bļodas	18-20
Ātras pagatavošanas	1 bļoda	1 ½ bļodas	12-15
BALTIE			
– Parastie	1 bļoda	1 ½ bļodas	45-50
– Garie	1 bļoda	1 2/3 bļodas	50-55

DĀRŽENĪ

- Kārtīgi nomazgājiet dārzeņus. Nogrieziet saknes, nepieciešamības gadījumā nomizojiet.
- Gatavošanas turpināšanās atkarīga no produktu daudzuma, svaiguma un iepriekšējas apstrādes. Nepieciešamības gadījumā gatavošanas laiku iespējams mainīt.
- Nav ieteicams iepriekš atsaldēt sasaldētus dārzeņus.
- Dārzeņus gatavošanas laikā bļodā priekš rīsiem nepieciešams aplāt ar foliju, lai izvairītos no lieka mitruma nokļūšanas uz tiem.
- Pēc 10-12 minūtēm no gatavošanas sākuma sasaldētus produktus nepieciešams apmaist.

Svaigi dārzeņi	Svars, g / gab.	Aptuvenais gatavošanas laiks, (min)
Sparģelis	450	12-14
Pupiņveidīgie:		
– Zaiļ/vaskotas gatavības	225	12-14
– Veseli vai šķelti	450	20-22
Bietes (sagrieztas)	450	25-28
Brokoļi	450	20-22
Briseles kāposti	450	24-26
Kāpostgalviņa (sagriezta)	450	16-18
Burkāni (tikai sagriezti)	450	18-20
Ziedkāposti	450	20-22
Kukurūza	3-5 vālītes	14-16
Baklažāni	450	16-18
Sēnes (veselas)	450	10-12
Paprika (vesela, bez sēklām)	Līdz 4-iem gabaliem vidēja izmēra	12-13
Kartupeļi (veseli, rozā)	Līdz 450 (apmēram, 6 maziņi bumbuļi)	30-32
Spināti	225	14-16
Kabači		
- Dzeltētais vai cukini (sagriezti)	50	12-14
Rāceņi (sagriezti strēmelēs)	450	20-22
Saldēti dārzeņi	300	28-50

ZIVIS UN JŪRAS PRODUKTI

- Gatavošanas laiks svaigiem vai sasaldētiem un pilnībā atsaldētiem jūras produktiem un zivīm norādīts tabulā. Zivis un jūras produktus iepriekš ieteicams notīrīt un sagatavot.
- Lielākajai daļai zivju un jūras produktu nav nepieciešams ilgš gatavošanas laiks. Tos ieteicams gatavot nelielās porcijās.
- Zivs fileju var gatavot bļodā priekš rīsiem pievienojot sviestu, margarīnu, citronu un dažādas mērces, kā arī bez piedevām.
- Mainiet gatavošanas laiku atbilstoši receptes prasībām un atkarībā no iepriekšējas produktu apstrādes.

Produkts	Svars, g / skaits	Aptuvenais gatavošanas laiks (min.)
Garneles (bruņās)		
– Vidējas	450	10-12
– Lielas	450	16-18
Zivis		
– Veselas	225-340	10-12
– Tīrītas	225-340	10-12
– Fileja	450	10-12
– Sagriezta gabaliņos	450 (~2,5 cm biežumā)	16-18

GAĻA

Produkts	Svars, g / skaits	Примерное время приготовления (мин.)
Lielopu gaļa		
– Lapstiņa	450	28-30
– Kapāti bifšteki	450	16-18
– Tefteli	450	22-24
Vistas gaļa		
– Sadalīta	2-4 gabaliņi	24-26
Jēra gaļa		
– Sagriezta gabaliņos	450	26-28
Cūkgaļa		
– Sagriezta gabaliņos	450	26-28
Ciņiņi	450	14-18
Desa	450	14-16

OLAS

Produkts	Svars (g)/skaits	Aptuvenais gatavošanas laiks (minūtes)
Ola čaumalā		
– Mīksti vārītas olas	1-12 gabali	15-18

– Cietivārītas olas	1-12 gabali	19-22
Omlete		
Iesītiēt bļodā priekš rīsiem 6 olas un pievienojiet 2 ēdamkarotes piena, sāli un piparus pēc garšas. Pēc 10-12 minūtēm tās apmaisiet.		20-22

TĪRĪŠANA UN KOPŠANA

- Atslēdziet tvaika katlu no elektroierīces un ļaujiet tai pilnībā atdzist.
- Izlejiet ūdeni no paliktņa kondensāta savākšanai un ūdens rezervuāra.
- Ūdens atlikumu var izliet caur uzpildīšanas atvērumiem apgāžot tvaika katlu.
- Nomazgājiet vāciņu, paliktņi un visas tilpnes ar siltu ūdeni un ziepēm (atļauts trauku mazgājamās mašīnas augšējā plauktā), kārtīgi noskalojiet un noslaukiet.
- Izmazgājiet rezervuāru ar siltu ūdeni un ziepēm, kārtīgi noskalojiet un noslaukiet pilnībā sausu.
- Nav pieļaujama abrazīvo tīrīšanas līdzekļu, organisku šķāidītāju un agresīvu šķīdumu izmantošana.
- Pēc kāda laika uz sildīšanas elementiem var uzkrāties kaļķakmens, tāpēc tvaika katls atslēgsies ātrāk, pirms produktu gatavošanas beigām.
- Pēc 7-10 tvaicēšanām (atkarībā no ūdens cietības) ielejiet rezervuārā nedaudz līdzekļa kaļķakmens noņemšanai (stingri ievērojiet instrukciju uz iepakojuma) un piepildiet to ar ūdeni līdz maksimālai atzīmei.
- Sildīšanas elementa attīrīšanas laikā no kaļķakmens neuzstādiēt uz rezervuāra tilpnes produktiem un neaiztaisiēt vāciņu.
- Pieslēdziet tvaika katlu pie elektrotīkla. Uzstādiēt taimeru apmēram uz 20 minūtēm. Pēc tvaika katla izslēgšanas (pēc taimera) atslēdziet to no elektrotīkla. Pirms ūdens nolīšanas ļaujiet sildīšanas elementam pilnībā atdzist. Vairākas reizes izmazgājiet sildīšanas elementu un rezervuāru ar aukstu ūdeni un noslaukiet sausu.

ABĀŠANA

- Pirms glabāšanas pārliecināties, ka ierīce ir atslēgta no elektrotīkla un pilnībā atdzisis.
- Izpildiet TĪRĪŠANAS UN KOPŠANAS sadaļas nosacījumus.
- Ierīci glabājiet sausā, vēsā vietā.

LI EKSPLUATĀVIMO SĀLYGOS

APSAUGOS PRIEMONĒS

- Idēmiā perskaitykite duotajā instrukcijā priē ekspluatojant prietaisā gedimū vengimui naudojant ir išsaugokite jā kaip informacijos šaltinį.
- Priē patį pirmą įjungimą patikrinkite, ar atitinka techninės gaminio charakteristikos, nurodytos ant lipduko su techninėmis charakteristikomis, elektros tinklo parametrams.
- Neteisingas naudojimas gali sugadinti gaminį, atnešti materialinę žalą arba atnešti žalą vartotojo sveikatai.
- Naudoti tik buitiniai tikslai. Prietaisas neskirtas pramoniniam naudojimui.
- Jaigu prietaisas nenaudojamas, visada atjunkite jį nuo elektros tinklo.
- Nenuleiskite prietaisą ir laidą į vandenį arba kitus skisčius. Jaigu tai atsitiko, nedelsiant atjunkite prietaisą nuo elektros tinklo ir, priē naudojant jį toliau, patikrinkite prietaiso darbo sugebėjimus ir saugumą pas kvalifikuota specialistą.
- Nenaudokite prietaisą su sugadintu maitinimosi laidu ir šakute, po kritimo arba su kitais gedimais. Patikrinimui ir remontui kreipkitės į artimiausią serviso centrą.
- Stebėkite kad elektros laidas neliestų aštrių kampų ir karštų paviršių.
- Atjungiant prietaisą nuo elektros tinklo, imkitės už šakutės, o netempkite už laidą.
- Prietaisas turi stabiliai stovėti ant sauso ligio paviršiaus. Nestatykite jo ant karštų paviršių, o taip pat šalia šilumos šaltinio (pvz., elektros viryklės), užuolaidų ir po pakabinamais lentynais.
- Niekada nepalikite įjungtą prietaisą be priežiūros.
- Neleiskite vaikams naudotis prietaisu be suaugusių kontrolės.
- Nelieskite karštų paviršių.
- Elektros srovės nutrenkimo ir fedimū vengimui naudokite tik reikmenis, įeinančius į pristatimo komplektą.
- Priē garo viryklės pajungimą į elektros tinklą, užpildykite vandeniu vandens rezervuarą. Kitaip prietaisas gali būti sugadintas.
- Neleiskite garo viryklės talpos naudojima mikro bangų krosnelėje, ant elektrinių arba dujinių viryklių.
- Judinkite garo viryklę su karštu vandeniu arba maistu itent atsargiai.
- Atidarant dangtį dirbančios garo viryklės, būkite atsargus, kad neapsidegintumėte karštu garu. Duokite galimybę kondensatui susikaupusiam ant dangčio, nutekėti atgal į talpą.

PASIROŠIMAS DARBUI

- Nuimkite nuo prietaiso visas etiketes.
- Priē pirmąjį naudojimą, kruopščiai išplaukite visas talpas šiltu vandeniu su muilu, kaip reikiant išplaukite ir išdžiovinkite.
- Išvalykite vandens rezervuarą iš vidaus drėgna medžiaga.

FUNKCIJA “GREITAS GARAS” (PIEŠINIS 1)

- Jaigu ant šildančio elemento nustatyti atgalį prapjūviui į apačią, garas atsiras jau po 35 sekundžių po garo viryklės įjungimo.

DARBAS (PIEŠINIS 2)

- Nustatykite garo viryklę ant ligaus, pastovaus paviršiaus.
- Pilkite į rezervuarą tik švarų vandenį; nenaudokite kitokių skisčių arba maisto papildų. Rezervuare yra žymės maksimalaus ir minimalaus pripildimo: vandens lygis turi būti tarp jų.
- Nustatykite padugnę kondensato surinkimui ir garo talpas ant bazės.

DĖMESIO: Neleiskite, kad vanduo nusileistu žemiau minimalaus lygio.

- Visada dėkite produktus, kurie ilgiau ruošiami (pvz., didesnius arba kitus), į apatinę garo talpą.
- Jaigu ruošiant pasirodė, kad vandens mažiau normos, ją galima pripilti per skylę pripilimui, nenuimant garo talpas.

VIRŠUTINĖ, VIDUTINĖ IR APATINĖ GARO TALPOS

- Įdėkite daržoves, jūros arba kitus produktus į garo talpos centrą, stengdamiesi neuždaryti sklę garui.

PUODAS RYŽIAMS

- Į puodą ryžiams įdėkite ryžius arba kitus produktus, pripilkite vandens, padažą, arba kitą. Uždarinkite dangtį. Pajunkite garo viryklę prie elektros tinklo. Nustatykite ant atbulinio laikmačio patiekalo paruošimo laiką. Jam pasibaigus išgirsite garso signalą, šviesos indikatorius užges, ir garo viryklė automatiškai atsijungs. Atjunkite prietaisą nuo elektros tinklo ir atsargiai nuimkite garo talpas.
- Garo virtuvės receptuose nurodytas apitiksliai paruošimo laikas, kuris priklauso nuo kiekio, didžiū ir norimo laipsnio produktų paruošimo, o taip pat asmeninių skonių. Siulomi režimai skirti garo viryklei su dvejomis talpomis. Dirbant su trimis talpomis darbo laiką reikia pakareguoti.
- Naudojant dvi/tris talpas galima vienu metu ruošti skirtingus patiekalus, tačiau, reikiai turėti omenyje, kad ruošiami produktai turi būti suderinami ir derintis kvapu, nes siltys ir riebalai iš jų susimaišis ir gali sugadinti patiekalą.
- Nuimant įkaitusias talpas, įeinančias į garo viryklės komplektą, būkite atsargūs – neapsideginkite karštu garu. Naudokite virtuvės pirštines.

DISPLĖJAUS PARODIMAI (PIEŠINIS 3)

- Ant garo viryklės displėjaus gali atsirasti sekantys simboliai:
 - 1 –nustatymų išsaugojimas.
 - 2 – atidėtas paruošimas.

paruošimas:

- 3 –kiaušiniai - 16 minučių (laikas nustatytas gamikloje)
- 4 - ryžiai - 30 minučių.
- 5 – žuvis- 15 minučių.
- 6 – paukštis - 25 minučių.

- 7 – daržovės - 20 minučių.
- 8 – vandens trukumas rezervuare.
- 9 – pašildymo režimas po paruošimo.
- Įjungiant garo viryklę automatiškai pereina į ryžių paruošimo režimą (simbolis 6; paruošimo laikas – 30 minučių; displejio parodymai “0:30”).
- Ant garo viryklės korpuso yra rekomendacijos skirtingų produktų paruošimui su laiko nurodymais.

VALDIMO PANELE

MIGTUKAI ANT VALDIMO PANELĖS

- **ON/OFF** – įjungimas/išjungimas garo viryklės.
- **MENU** – paruošimo režimo pasirinkimas
- **HOURL** – valandų nustatymas
- **MIN** – minučių nustatymas.
- **TIME/SAVE (RESET 5 sec.)** – paruošimo laiko nustatymas arba duoto režimo nutraukimas, o taip pat naujų laiko paruošimo nustatymų išsaugojimui.

PARUOŠIMO LAIKO NUSTATYMAS

- Pajunkite prietaisą prie elektros tinklo, displejius parodys “0:30”.
- Migtuku «**MENU**» nustatykite apdirbimo režimą, priklausant nuo produkto, tuo metu ant displejaus bus rodomas tekančių nustatymų paruošimo laikas.
- Migtuku «**MIN**» arba «**HOURL**» nustatykite apdirbimo trukmę (laiką galima tik padidinti).
- Pradžio patvirtinimui paspauskite migtuką «**ON/OFF**» Tuo metu užsidegs šviesos indikatorius.
- Pasibaigus paruošimo laikui 3 kartus praskambės garso signalas. Ant displejaus bus “0:00” ir pašildymo simbolis (9). Garo viryklė automatiškai įeis į pašildymo režimą, t.y. kas 4 minutes jį įsijungs 1 minutei. Maksimalus šito režimo darbo laikas – 30 minučių.

PASTABA:

- Jaigu laikas nustatytas gamikloje buvo pakeistas, jam pasibaigus ant displejaus atsiras simbolis (1). Paspaudus migtuką “**TIME/SAVE**”, Jūs išsaugosite šį nustatymą kaip naują gamiklinį laiką.

ATIDĖTO PARUOŠIMO REŽIMAS

- Pajunkite prietaisą prie elektros tinklo, displejius parodys “0:30”.
- Migtuku **MENU** nustatykite apdirbimo režimą, priklausant nuo produkto rūšies, tuo metu ant displejaus bus rodomas paruošimo laikas (minimalus pagal nustatymą).
- Paspauskite migtuką **TIME/SAVE**. Migtukais «**HOURL**» ir «**MIN**». Nustatykite laiką, po kurio garo viryklė turi įsijungti.
- Nustatymo patvirtinimui paspauskite migtuką **ON/OFF**. Tuo metu užsidegs šviesos indikatorius, ir ant displejaus atsiras laikrodžio simbolis.
- Pasibaigus duotajam periodui (neįskaitant paruošimo laiko) trys trumpi garso signalai ir garo viryklė įsijungs. Laikrodžio simbolis išnirs iš displejaus.

PASTABA:

- Displejius rodo pilną ciklo trukmę: paruošimo laikas įskaitant atidėjimo laiką. Pvz., Jūs norite paruošti žuvį ir nustatėte apdirbimo trukmę 25 minučių. Jeigu reikia pradėti ruošti po valandos, paspauskite migtuką **TIME/SAVE**. Ir nustatykite laiką 1 valanda 25 minčių **HOURL**. ir **MIN** migtukų pagalba. Už valandos garo viryklė pradės paruošimo procesą.

PARUOŠIMO TRUKMĖS PADIDINIMAS

- Paruošimo metu paspauskite migtuką «**TIME/SAVE**» ir laikykite jį 2 sekundes. Virimas bus pristabdyta.
- Migtuku «**MIN**» pridėkite reikiamą laiką.
- Paruošimo pratęsimui paspauskite migtuką «**ON/OFF**» Jeigu Jūs nepatvirtinsite pratęsimo, garo viryklė už 90 sekundžių automatiškai pratęs paruošimą.

ATSIJUNGIMAS KAI TRUKSTA VANDENS

- Jeigu darbo metu rezultate bus mažai vandens, garo viryklė automatiškai atsijungs ir ant displejaus atsiras vandens trukumo simbolis.
- Po reikiamo kiekio vandens įpylimo paspauskite migtuką **ON/OFF** paruošimo proceso pratęsimui.

PARUOŠIMO NUTRAUKIMAS

- Paspauskite ir laikykite migtuką **ON/OFF** Garo viryklė atsijungs ir displejius parodys “0:00”.

DUOTUJŲ NUSTATYMŲ NUTRAUKIMAS

- Gamyklinių nustatymų pakeitimų nutraukimui, pajunkite garo viryklę prie elektros tinklo, paspauskite ir laikykite migtuką **TIME/SAVE (RESET 5 sec.)** 5 sekundžių bėgyje.

DUONOS IR PUSFABRIKŲ PAŠILDYMAS

- Šildant duoną niekuo neuždenkite.
- Pusfabrikačių pašildymo laikas priklauso nuo užšaldymo temperatūros ir saugojimo.
- Pusfabrikačių pašildymo metu taurėje ryžiams tolygiai padėkite juos ir uždenkite taurę aliuminine folija.

RYŽIAI IR KRUOPĖS

- Priklausant nuo ryžių rūšies, jį reikia ruošti skirtinguose režimuose.
- Į puodą ryžių paruošimui padėkite ryžius ir pripilkite vandens pagal rekomendacijas. Uždarykite dangtį ir įjunkite garo viryklę.
- Tam kad ryžiai būtų minkštesni, pripilkite vandens ant 1-2 stalo šaukštelių daugiau, o kietesniai – tiek pat mažiau, negu rekomenduojama lentelėje.
- Po kai kurio laiko nuo paruošimo pradžios (savo kiekvienai ryžių rūšiai), patikrinkite tirštumą ir paruošimo laipsnį, tuo pačiu metu maišant.
- Paruoštiems ryžiams galima pridėti prieskonių jo skonio pakeitimui.

Ryžių rūšis	Kiekis		Paruošimo laikas, (min)
	Ryžiai	Vanduo	
RUDAS			
- Įprastas	½ puodo	1 puodas	42-45
- Pravirtas	1 puodas	1 ½ puodo	45-50
ILGŲ IR KANADIŠKŲ RYŽIŲ SUMAIŠYMAS			
- Įprastas	170 g	1 ½ puodo	56-58
- Greitas paruošimas	190 g	1 ¾ puodo	18-20
Greito paruošimo	1 puodas	1 ½ puodo	12-15
BALTAS			
- Įprastas	1 puodas	1 ½ puodo	45-50
- Ilgas	1 puodas	1 2/3 puodo	50-55

DARŽOVĖS

- Kruopščiai išplaukite daržoves. Pašalinkite šakneles, ir, jei prireiks, nuimkite žievelę.
- Paruošimo pratęsimas priklauso nuo kiekio, šviežumo ir išankstinio apdirbimo. Jei reikia paruošimo laiką galima keisti.
- Nerekomenduojama iš anksto atšaldyti užšaldytas daržoves.
- Ruošiant daržoves puode ryžiams, jas reikia uždengti folija, tam kad nukreipti nereikalingo drėgnumo pataikymą.
- Praėjus 10-12 minučių po paruošimo pradžios užšaldytus produktus reikia sumaišyti.

Šviežios daržovės	Svoris, g/vnt.	Apytikslus paruošimo laikas, (min).
Šparagai	450	12-14
Ankštiniai:		

- Žali/vaško brandumo	225	12-14
- Pilni arba smulkinti	450	20-22
Burokai (nepjaustyti)	450	25-28
Brokoliai	450	20-22
Briuseliniai kopūstai	450	24-26
Baltos kopūstos (nepjaustitos)	450	16-18
Morkos (plonai supjaustytos)	450	18-20
Spalvotos kopūstos	450	20-22
Kukurūzai	3-5 šeivos	14-16
Baklažanai	450	16-18
Grybai (pilni)	450	10-12
Pipiras (pilnas, be sėklių)	Iki 4-x vnt. Vidutinio dydžio	12-13
Bulvės (pilnas, rausvas)	Iki 450 (maždaug, 6 mažos klumbos)	30-32
Špinatas	225	14-16
Aguročiai		
- Geltoni arba cukini (nepjaustyti)	50	12-14
Ropė (supjaustyta reikelėmis)	450	20-22
Užšaldytos daržovės	300	28-50

ZUVIS IR JŪROS PRODUKTAI

- Paruošimo laikas šviežių arba užšaldytų ir pilnai atšaldytų jūros gėrybių ir žuvies nurodyta lentelėje. Žuvį ir Jūros gerybes iš pradžių reikia išvalyti ir paruošti.
- Paruošimui daugumos žuvies rūšies ir jūros gėrybių reikiai ne daug laiko. Rekomenduojama ruošti juos nedidelėmis porcijomis.
- Žuvies filė galima ruošti puode ryžiams kaip pridėdant sviestą, margariną, citrinos ir skirtingu padažu, taip ir be jų.
- Koreguokite paruošimo laiką priklausant nuo recepto reikalavimų ir priklausant nuo išankstinio produkto apdirbimo.

Produktas	Svoris g/kiekis	Apytikslus paruošimo laikas, (min).
Krevetės (šarvuose)		
- Vidutinės	450	10-12
- Didelės	450	16-18
Žuvis		
- Pilna	225-340	10-12
- Išskirstyta	225-340	10-12
- Filė	450	10-12
- Išpjaustyta gabaliukais	450 (~2,5 cm storio)	16-18

MĖSA

Produktas	Svoris, g/kiekis	Apytikslus paruošimo laikas, (min).
Jautiena		
- Mentėka	450	28-30
- Kirstas bifšteksas	450	16-18
- Mėsos kukuliai	450	22-24
Vištos	450	
- Išskirstytos	2-4 кусочка	24-26
Aviena		
- Pjaustyta gabaliukais	450	26-28
Kiauliena		
- Pjaustyta gabaliukais	450	26-28
Dešrelės	450	14-18
Paruoštos dešros	450	14-16

KIAUŠINIAI

Produktas	Svoris g/kiekis	Apytikslus paruošimo laikas, (min).
Lukšte		
- Minkštam virimui	1-12 vnt.	15-18
- Kietam virimui	1-12 vnt.	19-22
Omletas		
Išskaidykite į puodą ryžiams 6 kiaušinius ir įpilkite 2 valgomuosius šaukštus pieno, druską ir pipirus pagal skonį. Po 10-12 minučių sumaišykite kiaušinius.		20-22

VALYMAS IR PRIEŽIURA

- Atjunkite garo viryklę nuo elektros tinklo ir duokite jai pilnai atvėsti.
- Išpilkite vandenį nuo padugnės kondensato surinkimui ir vandens rezervuaro.
- Vandens likučius galima išpilti per įpylimo skylę, apvertus garo viryklę.
- Išplaukite dangtį, padugnę ir visas talpas šiltu vandeniu su muilu (galima ant viršutinio lentynos indų ploviklių mašinoje), kruopščiai nuskalaukite ir išdžiovinkite.
- Išplaukite rezervuarą šiltu vandeniu su muilu kruopščiai nuskalaukite ir išdžiovinkite.
- Neleidžiama naudoti abrazyvių valymo priemonių, organinių tirpiklių ir agresyvių skisčių.
- Po kurio laiko ant šildančio elemento gali atsirasti nuoviros, dėl ko garo viryklė atsijungs anksčiau, negu produktai spės pasiruošti.
- Po 7-10 virimų (priklausant nuo vandens) įpilkite į rezervuarą rekomenduojamą priemonę nuovirų pašalinimui (tiksliai atlikite nurodymus ant pakuotės) ir pripilkite vandens iki maksimalaus lygio.
- Valant šildantį elementą nuo nuovirų nedėstykite ant rezervuaro talpų produktams ir neuždenkite jo dangčiu.
- Pajunkite garo viryklę prie elektros tinklo. Nustatykite atbulinį laikmatį maždaug ant 20 minučių. Po garo viryklės atsijungimo (pagal atbulinį laikmatį) atjunkite ją nuo elektros tinklo. Prieš vandens išpylimą duokite šildančiam elementui pilnai atvėsti. Keletą kartų išplaukite šildantį elementą ir rezervuarą šaltu vandeniu ir sausai išvalykite.

SAUGOJIMAS

- Prieš saugojimą įsitikinkite, kad prietaisas atjungtas nuo elektros tinklo ir pilnai atvėso.
- Atlikite reikalavimus VALYMAS ir PRIEŽIURA skyrių.
- Saugokite prietaisą sausoje vėsioje vietoje.

HASZNALATI UTASÍTÁS

FONTOS BIZTONSÁGI INTÉZKEDÉSEK

- Használat közben történő készülékkárosodás elkerülése érdekében figyelmesen olvassa el az adott Kezelési útmutatót és őrizze meg azt, mint tájékoztató anyagot.
- A készülék első használatá elött, ellenőrizze egyeznek-e a műszaki jellemzésben feltüntetett műszaki adatok az elektromos hálózati adataival.
- A helytelen kezelés a készülék károsodásához, anyagi kárhoz, vagy a használat egészségkárosodásához vezethet.

- Csak otthoni használatra, nem való nagyüzemi célra.
- Használaton kívül mindig áramtalanítsa a készüléket.
- Ne merítse a készüléket, és a vezetéket vízbe, vagy más folyadékba. Hogyha ez megtörtént, azonnal áramtalanítsa a készüléket és, mielőtt újra használná azt, ellenőrizze a készülék munkaképességét és biztonságát szakképzett szerelő segítségével.
- Ne használja a készüléket sérült vezetékkel, csatlakozódugóval, valamint azután, hogy ütődést szenvedett, vagy más milyen képen károsodva volt. Forduljon a közeli szakszervizbe.
- Figyeljen, hogy a vezeték ne érintkezzen éles, forró felülettel.
- Kikapcsolásnál fogja a csatlakozódugót, ne húzza a vezetéket.
- A készüléket száraz, sima felületre szilárdan kell felállítani. Ne állítsa a készüléket forró felületre, valamint ne tartsa azt, meleget kibocsátó készülékek (például, villanysütő), függöny közelében, és függő polcok alatt.
- Soha ne hagyja felügyelet nélkül a bekapcsolt készüléket.
- Felnöttek ellenőrzése nélkül ne engedje gyerekeknek használni a készüléket.
- Ne érjen forró felületekhez.
- Áramütés és a készülék károsodása elkerülése érdekében ne használjon készlethez nem tartozó tartozékokat.
- Mielőtt bekapcsolná a gőzfőzőt, töltsen meg vízzel a víztartályt, különben károsodhat a készülék.
- A gőzfőző tartályait mikrohullámú sütőben, villany-, gáztűzhelyen használni tilos!
- Nagyon óvatosan mozdítsa a forró vízzel, illetve étellel megtöltött gőzfőzőt.
- A működő gőzfőző fedele felnyitása közben legyen nagyon óvatos, mivel a forró gőz égési sérülést okozhat. Engedje a fedőn összegyűlt kondenzvíznek lefolyni vissza a tartályba.

ELŐKÉSZÍTÉS

- Vegye le a készülékről az összes címkét.
- Első használat előtt alaposan mossa meg szappanos vízben a készülék összes tartályát és levehető részét, miután törölje szárazra őket.
- Nedves törölkendővel törölje meg a víztartály belső részét.

“GYORS GŐZ” FUNKCIÓ (1 ÁBRA)

- Ha a tartozékokat réssel lefele helyezni a melegítő elemre, akkor a gőzképződés már 35 másodperc múlva elkezdődik.

HASZNÁLATI UTASÍTÁS (2 ÁBRA)

- Stabilan állítsa fel a gőzfőzőt vízszintes felületre.
- Csak tisztavízet öntsön a tartályba; egyéb folyadék, tápszer használata tilos! A tartályban jelzők találhatók, melyek mutassák a minimális és maximális feltöltési szintet: a vízszintnek közöttük kell lennie.
- Helyezze a kondenzvíznek tervezett alátét és a gőztartályokat a tápegységre.

FIGYELEM: Ne engedje, hogy a tartályban lévő vízszint a minimális jelző alá ereszkedjen.

- Az alsó gőztartályba mindig a hosszabb elkészítési időt igénylő élelmiszert rakja (pl., nagyobb méretűeket, stb.).
- Ha elkészítés közben észleli, hogy a vízszint alacsonyabb a normál szintnél – a gőztartályok lecsatolása nélkül, a vízfeltöltő szájon keresztül hozzátöltheti a vizet.

FELSŐ, KÖZÉPSŐ ÉS ALSÓ GŐZTARTÁLYOK

- Helyezze a zöldségeket, egyéb élelmiszert a gőztartály közepére, ha csak lehetséges, nyitva hagyva a gőzréseket.

RIZSTÁROLÓ CSÉSZE

- Helyezze a rizsát, egyéb élelmiszert a rizstároló csészébe, adjon hozzá vizet, szószt, stb. Zárja le a fedőt. Csatlakoztassa a gőzfőzőt a hálózathoz. Állítsa be az időmérőn az étel elkészítéséhez szükséges időt. Az idő leteltét a készülék hangjellel jelzi, a jelzőlámpa elalszik, és a gőzfőző automatikusan kikapcsol. Áramtalanítsa a készüléket, és óvatosan vegye le a gőztartályokat.
- A gőzöltéssel elkészített ételek receptjeiben megtalálhatja az élelmiszerek elkészítéséhez szükséges körülbelüli időmennyiséget, amely az élelmiszer mennyiségétől, méreteitől, valamint egyéni ízléstől függ. A felajánlott üzemmód a kéttartályos gőzfőzéshez alkalmas. A háromtartályos gőzfőzés esetében az elkészítési időt korrigálni kell.
- Két/három gőztartály használata különböző ételek elkészítését is engedélyezi, de figyelni kell arra, hogy összeférhetőek legyenek az élelmiszerek, és azok illatai, mivel elkészítés közben a lé, illetve zsír keveredni fog, és elronthatja az ételt.
- A készlethez tartozó meleg tartályok lecsatolása közben legyen óvatos, nehogy égési sérülést kapjon a gőztől. Használjon konyhai kesztyűt, vagy lecsatolható fogót.

A KÉPERNYŐ ADATAI (3 ÁBRA)

- A gőzfőző képernyőjén a következő jelzések találhatók:
 - 1 – a beállított adatok megőrzése.
 - 2 – elhalasztott készítés.

elkészítés:

- 3 – tojás - 16 perc (betáplálás nélküli idő)
 - 4 - rizs - 30 perc.
 - 5 – hal - 15 perc.
 - 6 – baromfi - 25 perc.
 - 7 – zöldség - 20 perc.
 - 8 – elégtelen vízmennyiség a tartályban.
 - 9 – elkészítés utáni melegítés.
- A készülék bekapcsolása után, ha nem állít be egyéb adatot, a gőzfőző a rizselkészítési üzemmódba áll be (6 jelző, elkészítési idő – 30 perc, a képernyő adatai “0:30”).
 - A gőzfőző készülékházán található a különböző élelmiszerek elkészítésére vonatkozó javaslatok, illetve az elkészítésükhöz szükséges időmennyiség.

VEZÉRLŐASZTAL

A VEZÉRLŐASZTAL GOMBjai

- **ON/OFF** – bekapcsolás/kikapcsolás.
- **MENU** – a készítési üzemmód választása.
- **hour** – óraállítás.
- **MIN** – percállítás.
- **TIME/SAVE (RESET 5 sec.)** – az elkészítési idő beállítása, illetve a kiválasztott üzemmód eltörlése, valamint az új elkészítési idő megőrzése.

AZ ELKÉSZÍTÉSI IDŐ BEÁLLÍTÁSA

- Csatlakoztassa a készüléket az elektromos hálózathoz, a képernyő “0:30” mutat.
- A «**MENU**» gombbal válassza ki az élelmiszernek megfelelő üzemmódot, közben a képernyő az automatikusan betáplált időt mutassa.
- A «**MIN**» vagy «**hour**» gombokkal állítsa be az elkészítési időt (az időmennyiséget csak emelni lehetséges).
- A készítés elkezdését erősítse meg a «**ON/OFF**» gomb nyomásával. Közben kigyúl a jelzőlámpa.
- Az elkészítési idő leteltét 3 hangjelzés jelenti. A képernyő “0:00” mutat, és a melegítés jelzőjét (9). A gőzfőző automatikusan átáll a melegítési üzemmódba, vagyis minden 4 perc után bekapcsol 1 percre. Az adott üzemmód maximális időtartama - 30 perc.

MEGJEGYZÉS:

- Ha az automatikusan betáplált idő át lett állítva, akkor annak leteltével a képernyőn megjelenik az (1) jelző. Megnyomva a “**TIME/SAVE**” gombot, Ön megőrzi az újonnan betáplált időt, mint az új automatikus időt.

ELHALASZTOTT KÉSZÍTÉS

- Csatlakoztassa a készüléket az elektromos hálózathoz, a képernyő “0:30” mutat.

- A «**MENU**» gombbal válassza ki az élelmiszernek megfelelő üzemmódot, közben a képernyő az elkészítési időt mutassa (a betáplált minimális időt).
- Nyomja meg a **TIME/SAVE** gombot. A «**HOURL**» és «**MIN**» gombbal állítsa be mennyi idő múlva kel bekapcsolnia a gőzfőzőnek.
- A készítés elkezdését erősítse meg a «**ON/OFF**» gomb nyomásával. Közben kigyúl a jelzőlámpa, és a képernyőn megjelenik az óra jelző.
- A beállított idő leteltével (nem számítva az elkészítési időt) 3 hangjelzés hallatszik, és a gőzfőző bekapcsol. Az óra jelző eltűnik a képernyőről.

MEGJEGYZÉS:

- A képernyő a művelet teljes idejét mutassa: az elkészítési időt, a gőzfőző elhalasztott bekapcsolásával együtt. Például, halat szeretne készíteni, és 25 percet állított be. Ha 1 óra múlva szeretné elkezdni készíteni, nyomja meg a **TIME/SAVE** gombot és **HOURL** és **MIN** gombok segítségével állítson be 1 óra 25 percet. Egy óra múlva a gőzfőző elkezd készíteni a halat.

AZ ELKÉSZÍTÉS MEGHOSSZABÍTÁSA

- Készítés közben nyomja meg a «**TIME/SAVE**» gombot, és tartsa azt lenyomva 2 másodpercen át. A főzés le lesz állítva.
- A «**MIN**» gombbal adja hozzá a szükséges időmennyiséget.
- A művelet folytatása érdekében nyomja meg a «**ON/OFF**» gombot. Ha nem erősíti meg a folytatást, a gőzfőző 90 másodperc múlva automatikusan folytatja a készítést.

ELÉGTELEN VÍZMENNYISÉG ESETÉN TÖRTÉNŐ KIKAPCSOLÁS

- Ha működés közben kiderül, hogy nincs elég víz a tartályban – a gőzfőző automatikusan kikapcsol, és a képernyőn megmutatkozik az elégtelen vízmennyiség jelzője.
- Miután hozzáadja a szükséges vízmennyiséget, megnyomva a **ON/OFF** gombot folytathatja a készítést.

AZ ELKÉSZÍTÉS MEGSZÜNTETÉSE

- Nyomja meg és tartsa megnyomva a **ON/OFF** gombot. A gőzfőző kikapcsol, és a képernyő "0:00" mutat.

A BEÁLLÍTOTT ADATOK TÖRLÉSE

- A beállított adatok törlése érdekében, csatlakoztassa a gőzfőzőt a hálózathoz, és tartsa megnyomva a **TIME/SAVE (RESET 5 sec.)** gombot 5 másodpercen át.

KENYÉR ÉS FÉLKÉSZ ÁRÚ MELEGÍTÉSE

- Melegítve a kenyeret, ne takarja le azt semmivel.
- A félkész árú melegítési ideje az árú fagyasztási fokától és tárolásától függ.
- A rizstároló csészében történő félkész árú melegítésénél egyenletesen rakja ki őket, és takarja le a csészét alufóliával.

RIZS, DARA

- A rizs elkészítése, fajtájától függően, különböző üzemmódban történik.
- Rakja be a rizsát a rizstároló csészébe, és töltsön a tárolóba javasolt vízmennyiséget. Zárja le a fedőt, kapcsolja be a gőzfőzőt.
- Ha puhább rizst szeretne kapni – töltsön 1-2 evőkanállal több vizet, ha keményebbet – ugyan annyival kevesebbet a táblázatban javasolt mennyiségnél.
- A készítés elkezdésétől számított valamennyi idő múlva (az idő a rizs fajtájától függ), keverés közben ellenőrizze a sűrűsödést, és a rizs fővési fokát.
- Az elkészült rizshez különböző ízesítőket is adhat.

Rizsfajta	Mennyiség		Elkészítési idő, (perc)
	Rizs	Víz	
BARNA			
- Szokásos	½ csésze	1 csésze	42-45
- Párolt	1 csésze	1 ½ csésze	45-50
HOSSZÚSZEMŰ ÉS KANADAI RIZS KEVERÉKE			
- Szokásos	170 g	1 ½ csésze	56-58
- Gyors elkészítésű	190 g	1 ¼ csésze	18-20
Gyors elkészítésű	1 csésze	1 ½ csésze	12-15
FEHÉR			
- Szokásos	1 csésze	1 ½ csésze	45-50
- Hosszúszemű	1 csésze	1 2/3 csésze	50-55

ZÖLDSÉGEK

- Alaposan mossa meg a zöldségeket. Távolítsa el a gyökereket, és szükség esetén a héját.
- Az elkészítési idő az élelmiszer mennyiségétől, frissességétől, és előzetes megművelésétől függ. Szükség esetén változtathassa az elkészítésük idejét.
- Nem ajánlatos előzőleg kifagyasztani a fagyasztott zöldségeket.
- A rizstároló csészében történő zöldségek elkészítése esetén, ajánlatos letakarni a csészét alufóliával, ami gátolja a felesleges nedv bekerülését.
- Az elkészítés elkezdésétől számított 10-12 perc múlva a fagyasztott zöldségeket meg kell kavarni.

Friss zöldségek	Tömeg, g / db.	Kb. elkészítési idő, (perc)
Spárga	450	12-14
Babfélék:		
- Zöld/viaszérésű	225	12-14
- Egészek vagy zúzottak	450	20-22
Cékla (vágott)	450	25-28
Brokkoli	450	20-22
Brüsszeli káposzta	450	24-26
Fehér káposzta (vágott)	450	16-18
Sárgarépa (vékonyra vágott)	450	18-20
Karfiol	450	20-22
Kukorica	3-5 cső	14-16
Padlizsán	450	16-18
Gomba (egész)	450	10-12
Paprika (egész, kimagozott)	4 közepes méretű darabig	12-13
Burgonya (egész, rózsaszín)	450-ig (kb. 6 kisdarab)	30-32
Spenót	225	14-16
Spárgatök		
- Sárga vagy Cukkíni (vágott)	50	12-14
Répa (cikkekre vágott)	450	20-22
Fagyasztott zöldség	300	28-50

HAL ÉS TENGERI TERMÉK

- A friss, fagyasztott és teljesen kifagyasztott tengeri termék és hal elkészítésének idejét a táblázat tartalmazza. A halat, ill. tengeri terméket előzőleg meg kell pucolni, és előkészíteni.
- A halak és tengeri termékek nagy részének elkészítéséhez nem szükséges sok idő. Kis adagok készítése javasolt.
- A halfilét a rizstároló csészében is készítheti, mind vajjal, citrommal, különféle szósszal, mind a nélkül.
- Változtassa az elkészítési időt a recept követelményeinek, illetve a termék előzetes megművelésének megfelelően.

Termék	Tömeg, g / mennyiség	Kb. elkészítési idő, (perc)
Garnéla (páncélos)		
– Közepes	450	10-12
– Nagy	450	16-18
Hal		
– Egész	225-340	10-12
– Szétszedett	225-340	10-12
– Filé	450	10-12
– Darabokra vágott	450 (~2,5 cm széles)	16-18

HÚS

Termék	Tömeg, g / mennyiség	Kb. elkészítési idő, (perc)
Marhahús		
– Lapocka	450	28-30
– Vágott bélszín	450	16-18
– Húsgombóc	450	22-24
Baromfi	450	
– Szétszedett	2-4 darab	24-26
Báránhús		
– Darabokra vágott	450	26-28
Sertéshús		
– Darabokra vágott	450	26-28
Virslí	450	14-18
Kész kolbász	450	14-16

TOJÁS

Termék	Tömeg(g)/mennyiség	Kb. elkészítési idő, (perc)
Héjával		
– Lágy	1-12 db	15-18
– Kemény	1-12 db	19-22
Omlett		
Törjön fel a rizstároló csészébe 6 tojást, adjon hozzá 2 evőkanál tejet, sót, borsot ízlés szerint. 10-12 perc múlva kavarja meg a tojást.		20-22

TISZTÍTÁS ÉS KARBANTARTÁS

- Áramtalanítsa a gőzfőzőt, és hagyja teljesen kihűlni.
- Öntse ki a kondenzvíznek tervezett alátétből a tartályba a vizet.
- A vízfelesleget kiöntheti a vízfeltöltő részen keresztül, felfordítva a gőzfőzőt.
- Mossa meg a fedőt, alátétet, az összes tartályt meleg szappanos vízzel (moshassa a mosogatógép felső polcán), alaposan öblítse meg, és szárítsa meg.
- Mossa meg a tartályt meleg szappanos vízzel, alaposan öblítse meg, és szárítsa meg.
- Súrolószer, szerves oldószer, agresszív folyadék használata tilos!
- Valamennyi idő múlva a melegítő elemen vízkövesedés képződhet, ezért a gőzfőző hamarabb fog kikapcsolni, mint az élelmiszer elkészül.
- 7-10 főzés után (a víz keménységétől függ), öntsön a víztartályba javasolt vízkövesedés gátló tisztítószeret (tartsa be a dobozon leírt utasításokat), és töltsen meg vízzel a maximális jelzésig.
- A melegítő elem tisztítása közben ne helyezzen a víztartályra élelmiszertartályt, és ne fedje le a fedővel.
- Csatlakoztassa a gőzfőzőt az elektromos hálózathoz. Állítsa be az időmérőt kb. 20 percre. A gőzfőző kikapcsolása után (az időmérő szerint) áramtalanítsa a készüléket. Vízleöntés előtt a melegítő elemet hagyja teljesen lehűlni. Néhányszor mossa meg a melegítő elemet és a víztartályt hideg vízzel, törölje szárazra őket.

TÁROLÁS

- Tárolás előtt győződjön meg, hogy a készülék áramtalanítva van, és teljesen lehűt.
- Teljesítse a TISZTÍTÁS ÉS KARBANTARTÁS rész követelményeit.
- Száraz hűvös helyen tárolja a készüléket.

ЖАБДЫҚ НҰСҚАУЫ

ҚАУІПСІЗДІК ШАРАЛАРЫ

- Қолдану жанында сынықтардың құтылуына құрал қанауымен қазіргі басшылық алдыны ықыласты оқып шығыңыздар және мәлімет материал кім, не ретінде оның сақтаңыздар.
- Алғашқы қосудың алдында бұйымның техникалық сипаттамасының жапсырмадағы, электр жүйесінде көрсетілген параметрлеріне сәйкестігін тексеріңіз.
- Дұрыссыз қолдану бұйымның бұзылуына әкелуі мүмкін, заттық зиян келтіруі және пайдаланушы денсаулығына зиян тигізуі мүмкін.
- Тек қана тұрмыстық мақсаттарда қолданылады. Құрал өнеркәсіптік қолдануға арналмаған.
- Егер құрылғы қолданылмаса, электр жүйесінен оның әрқашан сөндіріп тастаңыз.
- Бұйымды және қоректену бауын суға немесе басқа сұйықтықтарға батыруға болмайды. Егер бұл болса, дереу құрылғыны электр жүйесінен сөндіріп тастаңыз және, оны одан әрі пайдаланбастан бұрын, құралдың жұмысқа қабілеттілігін және қауіпсіздігін білікті мамандарға тексертіңіз.
- Қоректену бауы және шаңышқысы зақымдалған құрылғыны, құлағаннан кейін және басқа зақымдарымен, қолданбаңыз, жығылудан кейін немесе басқа зақым келулермен. Тексерту және жөндеу үшін жақын арадағы сервисті орталыққа жүгініңіз.
- Қоректену бауы өткір жиектер мен ыстық үстілерге тимеуін қадағалаңыз.
- Құралды электр жүйесінен сөндіргенде, шаңышқыдан ұстаңыз, бауынан тартпаңыз.
- Құрылғы құрғақ тегіс үстінде тұрақты тұруы тиіс. Оны ыстық үстілерге, сонымен қатар жылу көздеріне жақын маңда жайғастырмаңыз (радиаторлардың, жылытқыштардың және т.б.), перделердің және аспалы сөрелер астында қоймаңыз.
- Қосылған құралды қараусыз қалдырмаңыз.
- Балаларға құралды ересек адамдардың бақылауынсыз қолдануға рұқсат етпеңіз.
- Ыстық үстілерге тимеңіз.
- Электр тоғының ұруына және құралдың сынуына тап болмау үшін, тек қана бересі жинағына кіретін керек-жақтармен қолданыңыз.
- Булы пісіргішті электр жүйесіне іске қоспас бұрын, суға арналған резервуарды сумен толтырыңыз. Кері жағдайда құрал зақымдалуы мүмкін.
- Булы пісіргіштің сиымдарын микротолқынды пештерде, электрлік немесе газды плиткада қолдануға рұқсат етілмейді.
- Ыстық сумен не азықпен булы пісіргішті барынша сақтықпен жылжытыңыз.
- Жұмыс істеп тұрған булы пісіргіштің қақпағын ашқанда, ыстық бумға күйіп қалмау үшін сақ болыңыз. Қақпақта жиналған конденсатқа сиымға кері ағып кетуіне мүмкіншілік беріңіз.

ЖҰМЫСҚА ДАЙЫНДАУ

- Құралдан барлық этикеткаларды алып тастаңыз.

- Алғашқы қосудың алдында барлық сиымдар мен алмалы-салмалы бөлімдерді жылы сабын сумен мұқият жуыңыз, ойдағыдай жуыңыз және құрғақ сүртіңіз.

- Суға арналған резервуарды іш жағынан дымқыл матамен сүртіңіз.

“ЖЫЛДАМ БУ” ҚЫЗМЕТІ (СУРЕТ 1)

- Егер жылытқыш элементке саптаманы тілікпен төмен орнатса, булы пісіргішті қосқаннан соң бу 35 секундтан кейін пайда болады.

ЖҰМЫС (СУРЕТ 2)

- Булы пісіргішті тұрақты, горизонтальды үстіге орнатыңыз.
- Резервуарға тек қана таза суды құйыңыз: басқа сұйықтықтарды және тамақтық қосындыларды қолдану рұқсат етілмейді. Резервуарда барынша көп және ең аз толтырылу таңбалары бар: су деңгейі олардың арасында болуы тиіс.
- Конденсат жинауға арналған тұғырлықты және булық сиымдарды негізге орнатыңыз.

HAZAP: Резервуардағы су ең аз деңгейден төмен түсуіне жол бермеңіз.

- Ұзағырақ әзірленетін өнімдерді (мысалы, ең ірілерін немесе т.б.) ерқашан төменгі булы сиымына қойыңыз.
- Егер даярлау уақытына су нормадан аз болса, оны булық сиымдарды алмай толтыруға арналған тесік арқылы құюға болады.

ЖОҒАРҒЫ, ОРТАЛЫҚ ЖӘНЕ ТӨМЕНГІ БУЛЫҚ СИЫМДАР

- Көкөністерді, теңіздік немесе басқа өнімдерді булық сиымның орталығына сыйғызыңыз, мүмкіншілігінше буға арналған тесіктерді жаппауға тырысыңыз.

КҮРІШКЕ АРНАЛҒАН ПИАЛА

- Күрішке арналған тостағанға күріш немесе басқа өнімдерді толтырыңыз, су, тұздықты не т.б. қосыңыз. Қақпақты жабыңыз. Булы пісіргішті электр жүйесіне қосыңыз. Таймерге тағамның даярлау уақытын тапсырыңыз. Ол өткеннен кейін дыбысты сигнал шығады, жарықты индикатор өшіп қалады және булы пісіргіш автоматты өшіріледі. құралды электр жүйесінен сөндіріп тастаңыз және булық сиымдарды ұқыппен алыңыз.
- Булы асханалардың рецептерінде өнімдердің мөлшеріне, шамасына және тілеген даярлық дәрежесіне, сонымен қатар жеке талғамға тәуелді шамалау даярлық уақыты көрсетілген. Ұсынылып отырған тәртіптер екі сиымды булы пісіргішке арналған. Үш сиыммен жұмыс істегенде даярлық уақытын түзету керек.
- Екі / үш булық сиымдарды қолданып, бір уақытта әртүрлі тағамдар даярлауға болады, бірақ, даярланатын өнімдер ісімен үйлесімді және тіркесімді болуы қажеттігін ескеру тиіс, себебі олардың шырындары және майы араласып тағамдарды бүлдіруі мүмкін.
- Булы пісіргіштің жинағына кіретін қыздырылған сиымдарды шешкенде, сақ болыңыз – ыстық буға күйіп қалмаңыз. Асханалық қолғаптарды не қысып алғышты қолданыңыз.

ДИСПЛЕЙ КӨРСЕТУЛЕРІ (СУРЕТ 3)

- Булы пісіргіште дисплейінде келесі символдар көрінуі мүмкін:
 - 1– құруларды сақтау.
 - 2– кідірілген даярлық.

даярлау:

- 3– жұмыртқа -16 минут (үндемеулі уақытпен)
- 4– күріш - 30 минут.
- 5– балық -15 минут.
- 6– құс - 25 минут.
- 7– көкөністер -20 минут.
- 8 – резервуардағы судың жетіспеушілігі.
- 9 – даярлаудан кейін жылыту тәртібі.
- Қосқан кезде булы пісіргіш үндемеумен күріш даярлау тәртібіне көшеді (символ 6; даярлау уақыты - 30 минут; дисплейдің көрсеткіші “0:30”).
- Булы пісіргіштің тұлғасында әртүрлі өнімдерді даярлау уақыты нұсқауымен ұсыныстар болады.

БАСҚАРУ ПАНЕЛІ

БАСҚАРУ ПАНЕЛІНДЕГІ НОҚАТТАР

- **ON/OFF** – булы пісіргішті қосу/сөндіру.
- **MENU** – даярлау тәртібін таңдау.
- **HOUR** – сағаттарды қою.
- **MIN** – минуттарды қою.
- **TIME/SAVE (RESET 5 sec.)** – даярлау уақыттарын немесе берілген тәртіпті доғаруды қоюға арналған, сонымен қатар даярлау уақыттарын жаңадан қоюды сақтауға арналған.

ДАЯРЛАУ УАҚЫТЫН ҚОЮ

- Құралды электр жүйесіне қосыңыз, дисплей “0:30” көрсетеді.
- «**MENU**» ноқатымен өнім түріне тәуелді өңдеу тәртібін орнатыңыз, сонда дисплейде даярлаудың берілген уақытын қазіргі қоюы көрінеді (үндемеумен).
- «**MIN**» немесе «**HOUR**» ноқатымен өңдеу ұзақтығын орнатыңыз (уақытты тек көбейтуге болады).
- Даярлауды бастауды растау үшін «**ON/OFF**» ноқатын басыңыз. Сонда жарықты индикатор жанады.
- Даярлау уақытының өтуі бойынша 3 рет дыбысты сигнал сылдырап шығады. Дисплейде “0:00” және жылу символы (9) бейнеленеді. Булы пісіргіш автоматты түрде жылыту тәртібіне кіреді, әр 4 минут сайын ол 1 минутқа қосылады. Бұл тәртіптің барынша көп ұзақтығы – 30 минут.

HAZAP:

- Егер алдын ала қойылған уақыт үндемеумен өзгертілген болса, оның бітуімен дисплейде (1) символы көрінеді. “**TIME/SAVE**” ноқатын басып, Сіз осы қоюды үндемеумен жаңа уақыты есебінде сақтайсыз.

ДАЯРЛАУДЫ КЕЙІНГЕ ҚАЛДЫРУ ТӘРТІБІ

- Құралды электр жүйесіне қосыңыз, дисплей “0:30” көрсетеді.
- **MENU** ноқатымен өнім түріне тәуелді өңдеу тәртібін орнатыңыз, сонда дисплейде даярлық уақыты көрінеді (ең аз үндемеумен).
- **TIME/SAVE** ноқатын басыңыз. «**HOUR**» немесе «**MIN**» ноқаттарымен булы пісіргіштің қанша уақыттан кейін қосылуын белгілеңіз.
- Қоюды растау үшін **ON/OFF** ноқатын басыңыз. Сонда жарықты индикатор жанады және дисплейде сағаттың символы көрінеді.
- Берілген кезең өтуімен (даярлау ұзақтығын есептемей) үш қысқа дыбысты сигнал сылдырап шығады да булы пісіргіш қосылады. Сағаттың символы дисплейден жоғалады.

ЕСКЕРТПЕ:

- Дисплей циклінің толық ұзақтығын көрсетеді: кейінге қалдыру уақытын есепке алатын даярлау уақыты. Мысалы, сіз балықты әзірлеуді қаладыңыз және 25 минут өңдеу ұзақтығын орнаттыңыз. Егер оны 1 сағаттан кейін даярлауды бастау қажет болса, «**TIME/SAVE**» басыңыз да «**HOUR**» және «**MIN**» ноқаттарының көмегімен 1 сағат 25 минут уақытын орнатыңыз. Бір сағаттан булы пісіргіш даярлық процесін бастайды.

ДАЯРЛАУ ҰЗАҚТЫҒЫН ҮЛКЕЙТУ

- Даярлау уақытына «**TIME/SAVE**» ноқатын басыңыз және оны 2 секунд ішінде ұстап тұрыңыз. Пісіру тоқтатылады.
- «**MIN**» ноқатымен қажетті уақытты қосыңыз.
- Өңдеуді жалғастыру үшін «**ON/OFF**» ноқатын басыңыз. Егер сіз ұзартылуды растамасаңыз, 90 секундтан кейін булы пісіргіш даярлауды автоматты жалғастырады.

СУ ЖЕТКІЛІКТІСІЗ БОЛҒАНДА СӨНДІРУ

- Егер жұмыс барысында резервуарда су жеткіліктісіз болса, булы пісіргіш автоматты түрде сөнеді және дисплейде су жетіспеушілік символы көрінеді.
- Даярлау процесін жалғастыру үшін қажетті су мөлшерін қосқаннан кейін **ON/OFF** ноқатын басыңыз.

ДАЯРЛАУДЫ ТОҚТАТУ

- **ON/OFF** басыңыз да ұстап тұрыңыз. Булы пісіргіш сөніп қалады және дисплей "0:00" көрсетеді.

БЕРІЛГЕН ҚОЮДЫ ЖОЮ

- Үндемеумен қоюдың өзгертулерін жою үшін, булы пісіргішті электр жүйесіне қосыңыз, **TIME/SAVE (RESET 5 sec.)** ноқатын басыңыз да 5 секунд ішінде ұстап тұрыңыз.

НАНДЫ ЖӘНЕ ЖАРТЫЛАЙ ФАБРИКАТТАРДЫ ҚЫЗДЫРУ

- Нанды қыздырғанда оны ештемемен жаппаңыз.
- Жартылай фабрикаттарды қыздыру уақыты олардың мұздату және сақтау температурасына тәуелді болады.
- Жартылай фабрикаттарды күрішке арналған тостағанда қыздырғанда оларды біркелкі жайып қойыңыз және тостағанды алюминийлік фольгамен жабыңыз.

КҮРІШ ЖӘНЕ ЖАРМАЛАР

- Күріштің сортына тиісті оны әртүрлі тәртіптермен даярлау керек.
- Күріш даярлауға арналған тостағанға күрішті салыңыз және ұсыныстарға сәйкес резервуарға су қосыңыз. Қақпақты жабыңыз және булы пісіргішті қосыңыз.
- Күріш көбірек жұмсақ болып шығуы үшін, суды 1-2 ас қасық көбірек құйыңыз, ал қаттылауларына – кестеде ұсынылғаннан сонша азырақ.
- Даярлауды бастағаннан кейін біраз уақыт өте (күріштің әрбір сорты үшін өзінікі), оны бір мезгілде араластыра отырып, күріштің қоюлығы және даярлық дәрежесін тексеріңіз.
- Дайын күрішке оның дәмін өзгерту үшін әртүрлі тұздықтар қосуға болады.

Күріштің түрі	Мөлшері		Даярлау уақыты, (мин.)
	Күріш	Су	
ҚЫЗЫЛ ҚОҢЫР			
– Әдеттегі	½ шыныаяқ	1 шыныаяқ	42-45
– Буланған	1 шыныаяқ	1 ½ шыныаяқ	45-50
ҰЗЫН ЖӘНЕ КАНАДАЛЫҚ КҮРІШІНІҢ ҚОСПАСЫ			
– Әдеттегі	170 г	1 ½ шыныаяқ	56-58
– Жылдам даярлаудың	190 г	1 ¾ шыныаяқ	18-20
Жылдам даярлаудың	1 шыныаяқ	1 ½ шыныаяқ	12-15
АҚ			
– Әдеттегі	1 шыныаяқ	1 ½ шыныаяқ	45-50
– Ұзын	1 шыныаяқ	1 2/3 шыныаяқ	50-55

КӨКӨНІСТЕР

- Көкөністерді мұқият жуыңыз. Түптерін және қажет болса қабықшасын алып тастаңыз.
- Даярлау ұзақтығы азықтардың мөлшеріне, балғындығына және алдын ала өңдеуленгендігіне тиісті болады. Қажеттілік туса даярлау уақытын өзгертуге болады.
- Тоңазытылған көкөністерді алдын ала жібіту ұсынылмайды.
- Көкөністерді күрішке арналған тостағанда даярлағанда, артық ылғал тигізбеу үшін оларды фольгамен жабу қажет.
- Даярлауды бастағаннан кейін 10-12 минут өте тоңазытылған өнімдер араластыру қажет.

Тың көкөністер	Салмағы, г / шт.	Даярлаудың уақыт шамасы, (мин)
Қояншөп	450	12-14
Ірі бұршақтықтар:		
– Шикілері/балауыз жетілгені	225	12-14
– Бүтіндері не ұсақталыңандары	450	20-22
Қызылша (туралған)	450	25-28
Брокколи	450	20-22
Брюссель қырыққабаты	450	24-26
Ақ қауданды қырыққабат (туралған)	450	16-18
Сәбіз (жіңішке туралған)	450	18-20
Түрлі түсті қырыққабат	450	20-22
Жүгері	3-5 собықтар	14-16
Қисыққаралар	450	16-18
Саңырауқұлақтар (бүтіндері)	450	10-12
Бұрыш (бүтін, тұқымдарсыз)	орта көлемді 4 дана	12-13
Картоп (бүтін, қызғылт)	450-ге дейін (шамамен, 6 кішкене түйнектер)	30-32
Шпинат	225	14-16
Көділер		
– Сарылары немесе Цуккини (туралғандар)	50	12-14
Шалқан (тілімдермен туралған)	450	20-22
Тоңазытылған көкөністер	300	28-50

БАЛЫҚ ЖӘНЕ ТЕҢІЗ ӨНІМДЕРІ

- Тың немесе тоңазытылған және толық жібітілген теңіз өнімдері мен балықтарды даярлау уақыты кестеде көрсетілген. Балықты және теңіз өнімдерін алдын ала тазалау және дайындау керек.
- Балықтар мен теңіз өнімдерін көп түрлерін даярлауға аз ғана уақыт қажет. Оларды кішкене порциялармен даярлау ұсынылады.
- Балықтың сүбе етін күрішке арналған тостағанда май, маргарин, лимон және әртүрлі тұздықтар қосыумен және оларсыз даярлауға болады.
- Даярлау уақытын рецепт талаптарымен сәйкестікте және өнімдердің алдын ала өңделулеріне тиісті дәлдеп түзетіңіз.

Азық	Салмақ, г / мөлшері	Даярлаудың уақыт шамасы, (мин)
Асшаяндар (сауыттарда)		
– Орталары	450	10-12
– Үлкендері	450	16-18
Балық		
– Бүтін	225-340	10-12
– Өңделген	225-340	10-12
– Сүбе ет	450	10-12
– Кішкене кесектермен туралған	450 (~2,5 см жуандықпен)	16-18

ЕТ

Азық	Салмақ, г / мөлшері	Даярлаудың уақыт шамасы, (мин)
Сиыр еті		
– Жанбас	450	28-30
– Шабылған бифштекстер	450	16-18

– Тефтельдер	450	22-24
Тауық	450	
– Өңделгендер	2-4 тілім	24-26
Қой еті		
– Кішкене кесектермен туралған	450	26-28
Шошқа еті		
– Кішкене кесектермен туралған	450	26-28
Сосискалар	450	14-18
Дайын шұжықтар	450	14-16

ЖҰМЫРТҚАЛАР

Азық	Салмақ, г / мөлшері	Даярлаудың уақыт шамасы, (мин)
Қабықта		
– Шала пісіру үшін	1-12 лана	15-18
– Бүтін пісіру үшін	1-12 дана	19-22
Омлет		
Күрішке арналған тостағанға 6 жұмыртқа жарыңыз және дәммен 2 ас қасығымен сүт, тұз және бұрыш қосыңыз. 10-12 минуттан соң жұмыртқаларды араластырыңыз.		20-22

ТАЗАЛАУ ЖӘНЕ КҮТІМ

- Булы пісіргішті электр жүйесінен сөндіріп тастаңыз және оған толық суынуға мұрша беріңіз.
- Конденсат жинауға арналған тұғырықтан және суға арналған резервуардан суды төгіңіз.
- Су қалдықтарын булы пісіргішті төнкеріп, толтырылуға арналған тесік арқылы төгуге болады.
- Қақпақты, тұғырықты және барлық сымдарды сабын мен жылы сумен (ыдыс-аяқ жуатын мәшінненің жоғарғы сәресінде болады) жуыңыз, мұқият шайыңыз және кептіріңіз.
- Сабынмен сумен жылы резервуарын жуыңыздар, мұқият шайыңыздар және құрғақ сүртіңіздер.
- Қайрақты тазарту құралдарын, органикалық еріткіштерді және агрессивті сұйықтықтарды қолдануға рұқсат етілмейді.
- Біраз уақыттан кейін жылытқыш элементте қаспақ пайда болуы мүмкін, сол себепті өнімдер әзірленіп үлгермей булы пісіргіш ертерек сөнеді.
- 7-10 пісіруден кейін (судың қаттылығына тиісті) резервуарға қаспақ кетіруге арналған құралды қосыңыз (орамадағы нұсқауларды дәл орындаңыз) және оны барынша көп деңгейге дейін сумен толтырыңыз.
- Жылытқыш элементті қаспақтан тазалағанда резервуарға өнімдерге арналған сымдарды қоймаңыз және оның қақпақпен жаппаңыз.
- Булы пісіргішті электр жүйесіне қосыңыз. Таймерді шамамен 20 минутқа орнатыңыз. Булы пісіргішті сөнгеннен кейін (таймермен) оны электр жүйесінен сөндіріп тастаңыз. Су төгудің алдында жылытқыш элементке толық суынуға мұрша беріңіз. Жылытқыш элементті және резервуарды бірнеше рет салқын сумен жуыңыз және құрғатып сүртіңіз.

САҚТАУ

- Сақтаудың алдында құралдың электр жүйесінен сөндірілгеніне және толық суынғанына көзі жеткізіңіз.
- ТАЗАЛАУ ЖӘНЕ КҮТІМ бөлімінің талаптарын орындаңыз.
- Құралды құрғақ салқын орында сақтаңыз.

D BEDIENUNGSANLEITUNG

SICHERHEITSHINWEISE

- Vor dem Gebrauch lesen Sie bitte die vorliegende Bedienungsanleitung sorgfältig durch und bewahren sie zum Nachschlagen auf.
- Vor der ersten Verwendung stellen Sie sicher, dass die technischen Daten des Gerätes, die auf dem Aufkleber angegeben sind, mit den Parametern des Stromversorgungsnetzes übereinstimmen.
- Unkorrekter Gebrauch kann Funktionsstörungen zur Folge haben, einen materiellen Schaden verursachen bzw. Ihre Gesundheit gefährden.
- Das Gerät ist nur für Hausgebrauch bestimmt. Es darf nicht zu Industriezwecken verwendet werden.
- Ziehen Sie den Stecker jedes Mal vor der Reinigung und immer, wenn das Gerät nicht betrieben wird, aus der Steckdose.
- Um sich vor Schädigungen durch Strom zu schützen und Brandgefahr auszuschließen, tauchen Sie das Gerät niemals ins Wasser bzw. andere Flüssigkeiten. Sollte das passieren, ziehen Sie sofort den Netzstecker aus der Dose und wenden sich an geschulte Fachleute zur Überprüfung der Funktionsfähigkeit und Sicherheit des Gerätes.
- Das Gerät darf nicht betrieben werden, wenn Netzkabel bzw. Netzstecker beschädigt sind, wenn der Dampfkochtopf heruntergefallen ist oder andere Beschädigungen aufweist. Zur Fehlersuche und Reparatur wenden Sie sich an die nächstgelegene Kundendienststelle.
- Achten Sie darauf, dass das Netzkabel mit scharfen Kanten oder heißen Oberflächen nicht in Berührung kommt.
- Beim Abschalten des Gerätes vom Stromnetz immer am Stecker, niemals an der Leitung ziehen.
- Stellen Sie das Gerät auf eine trockene, rutschfeste Oberfläche auf. Platzieren Sie es keinesfalls auf heißen Oberflächen sowie in der Nähe von Heizkörpern (z.B. Elektroherden), Gardinen und unter den Hängeregalen.
- Lassen Sie nie das eingeschaltete Gerät unbeaufsichtigt.
- Lassen Sie Kinder das Gerät nie ohne Aufsicht von Erwachsenen benutzen.
- Fassen Sie nicht heiße Oberflächen an.
- Um sich vor Schädigungen durch Strom zu schützen und Funktionsstörungen des Gerätes auszuschließen, verwenden Sie nur das mitgelieferte Zubehör.
- Bevor Sie den Dampfkochtopf ans Netz anschließen, füllen Sie den Wasserbehälter mit Wasser ein, andernfalls kann das Gerät beschädigt werden.
- Verwenden Sie nie die Behälter des Dampfkochtopfes in Mikrowellenöfen sowie auf Elektro- und Gasherden.
- Tragen Sie den Dampfkochtopf mit heißem Wasser und Essen äußerst vorsichtig über.
- Wenn Sie den Deckel des Dampfkochtopfes öffnen, seien Sie vorsichtig, um sich mit dem Dampf nicht zu verbrennen. Lassen Sie den Kondensat, der sich auf dem Deckel gesammelt hat, ins Gefäß abtropfen.

VORBEREITUNG

- Entfernen Sie alle Etikette vom Gehäuse des Gerätes.
- Vor der ersten Verwendung waschen Sie alle Behälter und abnehmbaren Teile sorgfältig mit warmem Seifenwasser, reiben sie anschließend sorgfältig trocken.
- Wischen Sie den Wasserbehälter von innen mit einem feuchten Tuch ab.

„SCHNELLDAMPF“-FUNKTION (ABB. 1)

- Wenn der Aufsatz mit der Kimme nach unten auf den Heizkörper aufgesetzt wird, bildet sich der Dampf bereits in 35 Sekunden nach dem Einschalten des Dampfkochtopfes.

INBETRIEBNAHME (ABB. 2)

- Stellen Sie den Dampfkochtopf auf eine stabile, horizontale Oberfläche auf.
- Gießen Sie in den Wasserbehälter nur das saubere Wasser ein, lassen Sie die Benutzung von anderen Flüssigkeiten und Nahrungszusätzen nicht zu. Der Wasserbehälter ist mit den Marken maximaler und minimaler Wasserfüllung versehen: Der Wasserstand soll zwischen diesen zwei Marken liegen.
- Stellen Sie Kondensationsgefäß und Dampfbehälter auf sie Station auf.

ACHTUNG: Stellen Sie sicher, dass das Wasser im Behälter nicht unter die Minimalmarke sinkt.

- Legen Sie Lebensmittel mit einer längeren Kochzeit (z.B. größere Produkte usw.) immer in den unteren Dampfbehälter.

- Wenn es sich während des Kochens herausstellen wird, dass es im Wasserbehälter nicht ausreichend Wasser gibt, kann es durch die spezielle Öffnung nachgefüllt werden, ohne dass die Dampfbehälter abgenommen werden müssen.

OBERER, MITTLERER UND UNTERER DAMPFBEHÄLTER

- Plazieren Sie Gemüse, Meeresfrüchte bzw. andere Lebensmittel in die Mitte des Dampfbehälters. Achten Sie dabei, dass die Dampföffnungen nicht blockiert werden.

REISSCHALE

- Laden Sie Reis oder andere Lebensmittel in die Reisschale und geben Wasser, Saft oder anderes hinzu. Machen Sie die Schale mit dem Deckel zu. Schließen Sie den Dampfkochtopf an das Versorgungsnetz an. Geben Sie auf der Zeitschaltuhr die Kochzeit ein. Wenn die Zeit abläuft, erklingt die Hupe. Die Kontrolleuchte erlischt und der Dampfkochtopf schaltet sich automatisch ab. Ziehen Sie den Stecker aus der Steckdose und nehmen behutsam die Dampfbehälter ab.
- In den Rezepten des Dampfkochtopfes ist die ungefähre Kochzeit angegeben, die sich nach Menge, Größe und erwünschtem Gargrad der Lebensmittel sowie persönlichen Vorlieben richten. Die empfohlenen Betriebszeiten sind für den Dampfkochtopf mit zwei Behälter vorgesehen. Beim Betrieb mit drei Dampfbehälter sollen die Kochzeiten korrigiert werden.
- Die Verwendung von zwei/drei Dampfbehältern ermöglicht die gleichzeitige Zubereitung verschiedener Speisen. Dabei soll jedoch berücksichtigt werden, dass die Lebensmittel kompatibel und dem Geruch nach zu einander passen sollen, da sich die Säfte mit dem Fett vermischen werden und das Gericht verderben können.
- Seien Sie vorsichtig beim Abnehmen von Behältern des Dampfkochtopfes, um sich mit heißem Dampf nicht zu verbrennen. Verwenden Sie Küchenhandschuhe und Handgriffe.

DISPLAYANZEIGEN (ABB. 3)

- Auf dem Display können folgende Symbole erscheinen:
 - 1 – Speichern von Einstellungen.
 - 2 – aufgeschobene Zubereitung.

Kochzeiten:

- 3 – Eier - 16 Minuten (stillschweigend)
- 4 - Reis - 30 Minuten
- 5 – Fisch - 15 Minuten
- 6 – Geflügel - 25 Minuten
- 7 – Gemüse - 20 Minuten
- 8 – Wassermangel im Behälter.
- 9 – Warmhaltefunktion nach der Zubereitung
- Beim Einschalten schaltet sich der Dampfkochtopf stillschweigend auf die Reiszubereitung (Symbol 6; Kochzeit – 30 Minuten, Displayanzeige "0:30").
- Auf dem Gehäuse des Dampfkochtopfes gibt es Tipps zur Zubereitung unterschiedlicher Lebensmittel mit Angabe entsprechender Kochzeiten.

BEDIENFELD

TASTEN AUF DEM BEDIENFELD

- **ON/OFF** – Ein-/ Ausschalten des Dampfkochtopfes.
- **MENU** – Wahl der Arbeitsweise.
- **HOURL** – Stundeneinstellungen.
- **MIN** – Minuteneinstellungen.
- **TIME/SAVE (RESET 5 sec.)** –zur Einstellung der Kochzeiten bzw. zum Löschen der vorgegebenen Arbeitsweise sowie zum Speichern von neuen Kochzeiteinstellungen.

KOCHZEITEINSTELLUNGEN

- Schließen Sie das Gerät ans Netz, auf dem Display erscheint "0:30".
- Mit der «**MENU**»-Taste stellen Sie die Bearbeitungsweise je nach der Art des Produktes ein, dabei erscheint auf dem Display die aktuelle Einstellung der Kochzeit.
- Mit den Tasten «**MIN**» oder «**HOURL**» geben Sie die Dauer der Behandlung (die Zeit kann nur erhöht werden) ein.
- Zur Bestätigung des Betriebstartes drücken Sie auf den Knopf «**ON/OFF**», dabei leuchtet die Kontrolleuchte auf.
- Nach dem Ablauf der Kochzeit erklingt die Hupe. Auf dem Display erscheint "0:00" und das Symbol der Warmhaltung, d.h. jede 4 Minuten wird sich der Dampfkochtopf für eine Minute einschalten. Die Höchstdauer dieser Funktion beträgt 30 Minuten.

BEMERKUNG:

- Wenn die stillschweigend vorgegebene Zeit verändert wurde, wird sich nach ihrer Ablauf auf dem Display das Symbol (1) erscheinen. Sie können die neue Zeit als die stillschweigend eingestellte speichern, indem Sie auf die **TIME/SAVE**-Taste drücken.

FUNKTION DER AUFGESCHOBENEN ZUBEREITUNG

- Schließen Sie das Gerät ans Netz, auf dem Display erscheint "0:30".
- Mit der «**MENU**»-Taste stellen Sie die Bearbeitungsweise je nach der Art des Produktes ein, dabei erscheint auf dem Display die aktuelle Einstellung der Kochzeit.
- Drücken Sie auf die **TIME/SAVE**-Taste. Mit den Tasten «**MIN**» oder «**HOURL**» geben Sie die Zeit ein, nach deren Ablauf sich der Dampfkochtopf einschalten soll.
- Zur Bestätigung der Einstellung drücken Sie auf die **ON/OFF**-Taste. Dabei leuchtet die Kontrolleuchte auf und auf dem Display erscheint das Symbol der Uhr.
- Nach dem Ablauf des vorgegebenen Zeitabschnitts (die Kochzeit wird dabei nicht berücksichtigt) erklingen drei kurze Hupen und der Dampfkochtopf schaltet sich ein. Das Uhr-Symbol wird vom Display verschwinden.

BEMERKUNG:

- Das Display zeigt die ganze Dauer des Zyklus an: die Kochzeit samt der Zeit der Verschiebung. So möchten Sie beispielsweise Fisch zubereiten und haben als Kochzeit 25 Minuten eingegeben. Wenn die Zubereitung in einer Stunde beginnen soll, drücken Sie auf den **TIME/SAVE** –Knopf und geben Sie 1 Stunde und 25 Minuten mit **HOURL**- und **MIN**-Tasten ein. In einer Stunde wird der Zubereitungsprozess gestartet.

VERLÄNGERUNG DER KOCHZEITEN

- Während des Kochens drücken Sie auf den **TIME/SAVE**-Knopf und halten ihn etwa 2 Sekunden. Der Zubereitungsprozess wird unterbrochen.
- Mittels der **MIN**-Taste fügen Sie die nötige Zeit hinzu.
- Um die Bearbeitung fortzusetzen, drücken Sie auf die **ON/OFF**-Taste. Wenn die Kochzeitverlängerung von Ihnen nicht bestätigt wird, verlängert der Dampfkochtopf den Zubereitungsprozess in 90 Sekunden selbsttätig.

SPERRE BEIM WASSERMANGEL

- Soll es sich während des Kochens herausstellen, dass es im Wasserbehälter nicht genügend Wasser gibt, schaltet sich der Dampfkochtopf automatisch ab und auf dem Display erscheint das Symbol des Wassermangels.
- Nach dem Nachfüllen des Wasserbehälters drücken Sie auf die **ON/OFF**-Taste, um das Kochen fortzusetzen.

ZUBEREITUNGSABBRUCH

- Drücken Sie lang auf die **ON/OFF**-Taste. Der Dampfkochtopf schaltet sich ab und auf dem Display erscheint „0:00“.

LÖSCHEN DER EINSTELLUNGEN

- Um Einstellungen, die nach dem Einschalten stillschweigend aktiviert werden, zu löschen, schließen Sie den Dampfkochtopf ans Netz, drücken die Taste **TIME/SAVE (RESET 5 sec.)** und halten sie 5 Sekunden lang.

AUFWÄRMEN VON BROT UND FERTIGPRODUKTEN

- Beim Aufwärmen decken Sie das Brot nicht zu.
- Die Dauer der Aufwärmung der Fertigprodukte hängt von der Temperatur ihrer Tiefkühlung und Aufbewahrung ab.
- Beim Aufwärmen der Fertigprodukte verteilen Sie sie gleichmäßig in der Reisschale und bedecken die Schale mit Alu-Folie.

REIS UND GRÜTZE

- Unterschiedliche Reisgattungen werden auf verschiedene Weisen gekocht.
- Legen Sie Reis in die Schale und geben das Wasser in Entsprechung mit den Zubereitungstipps hinein. Schließen Sie den Deckel und schalten den Dampfkochtopf ein.
- Damit der Reis weich wird, gießen Sie 1-2 Löffel Wasser mehr, als es in der Tabelle empfohlen wird; um Reis bissfest zu kochen, geben Sie 1-2 Löffel Wasser weniger.
- Eine Weile nach dem Beginn des Zubereitungsprozesses (jeder Reisgattung entspricht bestimmte Kochzeit) prüfen Sie die Dichtheit und den Fertigungsgrad des Reises, indem Sie ihn gelegentlich umrühren.
- Schmecken Sie den fertigen Reis mit Gewürzen ab.

Reisgattung	Menge		Kochzeit, (мин.)
	Reis	Wasser	
BRAUN			
gewöhnlich	½ Tasse	1 Tasse	42-45
dampfbehandelt	1 Tasse	1 ½ Tasse	45-50
MISCHUNG AUS LANGEM UND KANADISCHEM REIS			
gewöhnlich	170 g	1 ½ Tasse	56-58
Kurzkochreis	190 g	1 ¾ Tasse	18-20
Kurzkochreis	1 Tasse	1 ½ Tasse	12-15
WEIß			
Gewöhnlich	1 Tasse	1 ½ Tasse	45-50
Lang	1 Tasse	1 2/3 Tasse	50-55

GEMÜSE

- Spülen Sie das Gemüse gründlich ab. Entfernen Sie die Wurzeln und schälen das Gemüse, wenn nötig.
- Die Kochzeit richtet sich nach der Menge, Frische und Vorbereitung des Lebensmittels. Bei Bedarf können Kochzeiten verändert werden.
- Es wird nicht empfohlen, das tiefgefrorene Gemüse frühzeitig aufzutauen.
- Wenn das Gemüse in der Reisschale gekocht wird, soll es mit der Alu-Folie bedeckt werden, um das Eindringen der überflüssigen Feuchtigkeit auszuschließen.
- Rühren Sie in 10-12 Minuten nach dem Beginn der Zubereitung das eingefrorene Gemüse um.

Frisches Gemüse	Gewicht, g / St.	Ungefähre Kochzeit, (Min)
Spargel	450	12-14
Hülsenfruchtgemüse		
– Grün/ wachsreif	225	12-14
– Ganz oder zerkleinert	450	20-22
Rübe (geschnitten)	450	25-28
Brokkoli	450	20-22
Rosenkohl	450	24-26
Kohl (geschnitten)	450	16-18
Mohrrübe (dünn geschnitten)	450	18-20
Blumenkohl	450	20-22
Mais	3-5 Kolben	14-16
Aubergine	450	16-18
Pilze (ganz)	450	10-12
Paprika (ganz, ohne Samen)	Bis zu 4 St. Mittlerer Größe	12-13
Kartoffel (ganz, rosa)	Bis zu 450 g (ca. 6 kleinere Knollen)	30-32
Spinat	225	14-16
Zucchini		
– Gelb oder grün (geschnitten)	50	12-14
Rübsen (in Scheiben geschnitten)	450	20-22
Eingefrorenes Gemüse	300	28-50

FISCH UND MEERESFRÜCHTE

- Kochzeiten von frischen bzw. eingefrorenen und vollständig aufgetauten Meeresfrüchten und Fisch sind in der Tabelle angeführt. Fisch und Meeresfrüchte sollen abgeschuppt und vorbereitet werden.
- Die Vorbereitung der meisten Fischarten und Meeresfrüchte nimmt etwas Zeit in Anspruch. Es ist empfehlenswert, sie in kleineren Portionen zuzubereiten.
- Das Fischfilet kann in der Reisschale gekocht werden, mit oder ohne Butter, Margarine, Zitrone bzw. Soßen.
- Korrigieren Sie die Kochzeit in Entsprechung mit Rezeptforderungen je nach der Vorbehandlung von Produkten.

PRODUKT	Gewicht, g / St.	Ungefähre Kochzeit, (Min)
Garnellen (in Schalen)		
– Mittlere	450	10-12
– Größere	450	16-18
Fisch		
– Ganz	225-340	10-12
– filetiert	225-340	10-12
– Filet	450	10-12
– In Stückchen geschnitten	450 (~2,5 cm dick)	16-18

FLEISCH

Produkt	Gewicht, g / St.	Ungefähre Kochzeit, (Min)
Rindfleisch		
Schulter	450	28-30
Gehackte Beefsteaks	450	16-18
Frikadellen	450	22-24
Geflügel		
filetiert	2-4 St.	24-26
Hammelfleisch		
In Stückchen geschnitten	450	26-28
Schweinefleisch		
In Stückchen geschnitten	450	26-28
Würstchen	450	14-18
Wurst	450	14-16

EIER

Produkt	Gewicht, g / St.	Ungefähre Kochzeit, (Min)
In Schalen		
– weich gekocht	1-12 St.	15-18
– hart gekocht	1-12 St.	19-22
Rührei		
6 Eier in die Reisschale anschlagen und 2 Löffel Milch, Salz und Pfeffer dazugeben. In 10-12 Minuten umrühren.		20-22

REINIGUNG UND PFLEGE

- Ziehen Sie vor der Reinigung den Stecker aus der Steckdose und lassen Sie den Dampfkochtopf abkühlen.
- Gießen Sie das Wasser aus dem Kondensationsgefäß und Wasserbehälter weg.
- Das restliche Wasser kann durch die Einfüllöffnung abgegossen werden, dafür drehen Sie den Dampfkochtopf um.
- Waschen Sie Deckel, Kondensationsgefäß und alle Behälter mit warmem Seifenwasser (eventuell auch auf dem Oberregal der Geschirrspülmaschine) und reiben die Teile sorgfältig trocken.
- Waschen Sie den Wasserbehälter mit warmem Seifenwasser und reiben ihn anschließend sorgfältig trocken.
- Verzichten Sie auf scheuernde Reinigungsmittel, organische Lösungsmittel und aggressive Flüssigkeiten.
- Mit der Zeit kann auf dem Heizkörper Kalk gebildet werden, was dazu führen kann, dass sich der Dampfkochtopf abschalten wird, noch bevor Lebensmittel gar sind.
- Nach 7-10 Arbeitsgängen (je nach der Wasserhärte) gießen Sie das empfohlene Anti-Kalk-Mittel (Hinweise auf der Verpackung bitte strikt befolgen) in den Wasserbehälter und füllen ihn mit Wasser bis zur höchsten Marke ein.
- Beim Entkalken des Heizkörpers stellen Sie nicht die Behälter für Lebensmittel auf den Wasserbehälter und decken ihn nicht zu.
- Schließen Sie den Dampfkochtopf ans Netz. Stellen Sie die Zeitschaltuhr auf ca. 20 Minuten ein. Wenn sich der Dampfkochtopf nach dem Ablauf dieser Zeit abschaltet, ziehen Sie den Stecker aus der Steckdose. Bevor Sie das Wasser weggießen, lassen Sie den Heizkörper vollständig abkühlen. Spülen Sie Heizkörper und Wasserbehälter einige Male unter kaltem Wasser ab und wischen sie danach trocken.

AUFBEWAHRUNG

- Vor der Aufbewahrung vergewissern Sie sich, dass der Netzstecker aus der Dose gezogen ist und sich das Gerät vollständig abgekühlt hat.
- Erfüllen Sie die Vorschriften aus dem Teil REINIGUNG UND PFLEGE.
- Bewahren Sie das Gerät an einem kühlen, trockenen Ort auf.