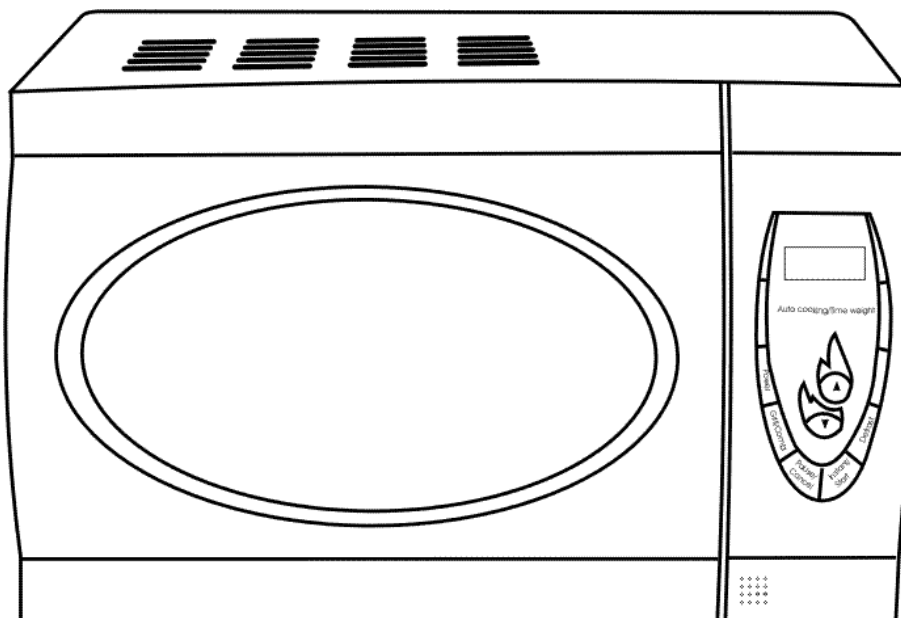


17 L

GB	MICROWAVE OVEN.....	4
RUS	МИКРОВОЛНОВАЯ ПЕЧЬ.....	6
CZ	MIKROVLNNÁ TROUBA.....	9
BG	МИКРОВЪЛНОВА ПЕЧКА.....	12
PL	KUCHENKA MIKROFALOWA.....	15
RO	CUPTOR CU MICROUNDE.....	18
UA	МІКРОХВИЛЬОВА ПІЧ.....	21
SCG	MIKROVALNA PEĆ.....	24
EST	MIKROLAINEAHI.....	27
LV	MIKROVIĻŅU KRĀSNS.....	30
LT	MIKROBANGŲ KROSNEĖ.....	33
H	MIKROHULLÁMÚ SŰTŐ.....	36
KZ	МИКРОТОЛҚЫНДЫ ПЕШ.....	39
D	MIKROWELLENOFEN.....	42
CR	MIKROVALNA PEĆNICA.....	45



GB DESCRIPTION

1. Door lock system
2. Oven window
3. Waveguide mica shield (Do Not Remove!)
4. Shaft
5. Roller ring
6. Glass tray
7. Control panel
8. Multifunctional buttons
9. Digital display
10. Door open button
11. Grill rack

CZ POPIS

1. Západky na dvířkách
2. Průzor ve dvířkách
3. Uzávěra vlnovodu (NESNÍMEJTE!)
4. Osa
5. Otočné kolečko
6. Skleněná miska
7. Ovládací panel
8. Vícefunkční regulátor
9. Digitální displej
10. Tlačítko pro otevírání dvířek
11. Rošt

PL OPIS

1. Zatrzaśki drzwiczek
2. Okienko drzwiczek
3. Zasuwa falowodu (NIE ZDEJMOWAĆ!)
4. Oś
5. Pierścień obrotowy
6. Talerz szklany
7. Panel sterujący
8. Wielofunkcyjny regulator
9. Wyświetlacz cyfrowy
10. Przycisk otwarcia pokrywy
11. Ruszt do grillu

UA опис

1. Засувки дверцят
2. Вікно дверцят
3. Заслінка хвилеводу (НЕ ЗНИМАТИ!)
4. Вісь
5. Обертове кільце
6. Скляне блюдо
7. Панель керування
8. Багатофункціональний регулятор
9. Цифровий дисплей
10. Кнопка відкриття дверцят
11. Решітка для гриля

EST KIRJELDUS

1. Ukse lukk
2. Ukse aken
3. Laineikanali klapp (MITTE EEMALDADA!)
4. Pöörlemisringi tugi
5. Pöörlemisring
6. Klaasalus
7. Juhtimispaneel
8. Mitmefunktsionaalne regulaator
9. Digitaalne displei
10. Ukse avamisnupp
11. Grillirest

RUS УСТРОЙСТВО ИЗДЕЛИЯ

1. Защелки дверцы
2. Окно дверцы
3. Заслонка волновода (НЕ СНИМАТЬ!)
4. Ось
5. Вращающееся кольцо
6. Стеклоблюдо
7. Панель управления
8. Многофункциональный регулятор
9. Цифровой дисплей
10. Кнопка открытия дверцы
11. Решетка для гриля

BG ОПИСАНИЕ

1. Ключалка на вратичката
2. Прозорче на вратичката
3. Клапа на вълновода (НЕ СВАЛЯЙТЕ!)
4. Ос
5. Въртящото се колелце
6. Стъклена чиния
7. Панела на управление
8. Многофункционален регулатор
9. Цифров дисплей
10. Бутон за отваряне на вратичката
11. Решетка за грил

RO DESCRIERE

1. Încalzătorul uşitei
2. Fereastra uşitei
3. Uşita undelor (NU SCHIMBAŢI!)
4. Ax
5. Inel rotativ
6. Vas de sticlă
7. Panou de comandă
8. Regulator multifuncţional
9. Afişaj numeric-display
10. Butonul de deschidere al uşitei
11. Grătar pentru friptură

SCG опис

1. Квака на вратима
2. Прозор на вратима
3. Затварач таласовода (НЕ СКИДАЈТЕ!)
4. Осовина
5. Ротациони колут
6. Стаклени тањир
7. Контролна табла
8. Вишефункционални регулатор
9. Дигитални дисплеј
10. Дугме отварања врата
11. Решетка за грил

LV APRAKSTS

1. Durvju aizturis
2. Durvju lodziņš
3. Mikrovilņu vedēja aizbīdnis (NENŅEMT!)
4. Ass
5. Rotējošais gredzens
6. Stikla trauks
7. Vadības panelis
8. Daudzfunkcionāls regulators
9. Ciparu displejs
10. Durvju atvēršanas poga
11. Režģis grillam

~ 230V / 50 Hz	Maximum power input: 1150 W Microwave power: 1000 W Grill power: 1000 W 2450 MHz	12.6 / 13.8 kg	
----------------	--	----------------	--

LT APRAŠYMAS

1. Durelių spragtukai
2. Durelių langas
3. Bangolaidžio sklendė (NENUIMTI!)
4. Ašis
5. Besisukantis žiedas
6. Stiklinė lėkštė
7. Valdymo skydas
8. Daugiafunkcinis reguliatorius
9. Skaitmeninis displejus
10. Durelių atidarymo mygtukas
11. Groteles griliui

KZ СИПАТТАМА

1. Есік ілгешектері
2. Есік терезесі
3. Толқын ағызғысы жапқышы (ШЕШПЕНІЗ!)
4. Ось
5. Айналмалы сақина
6. Шыны табақ
7. Басқару панелі
8. Көп функцияналды реттеуіш
9. Цифрлік дисплей
10. Есікті ашу ноқаты
11. Грильге арналған шілтер

CR OPIS

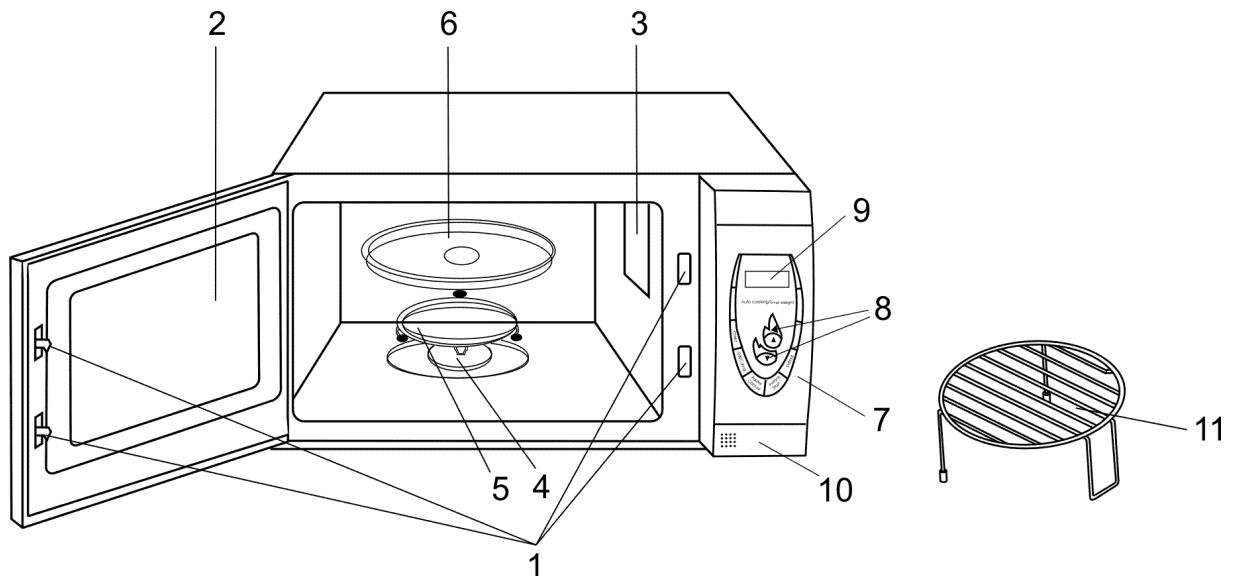
1. Kvake na vratima
2. Prozor vrata
3. Zatvarač valovoda (NE SKIDAT!!)
4. Osa
5. Okretna karika
6. Staklena ploča
7. Upravljačka ploča
8. Višenamjenski regulator
9. Digitalni pokazivač
10. Tipka otvaranja vrata
11. Rešetka za gril

H LEÍRÁS

1. Ajtózár
2. Ajtóüveg
3. Hullámvezető szabályzólemeze (LEVENNI TILOS!)
4. Tengely
5. Forgógyűrű
6. Üvegtányér
7. Vezérlőasztal
8. Többfunkciós szabályzó
9. Digitális képernyő
10. Ajtó nyitógombja
11. Grill-rács

D GERÄTEBESCHREIBUNG

1. Türklinken
2. Türfenster
3. Wellenleiterklappe (nicht abnehmen!)
4. Achse
5. Drehring
6. Glasdreheller
7. Bedienungsfield
8. Mehrfunktionsregler
9. Digitaldisplay
10. Türöffnungsknopf
11. Grillgitter



GE INSTRUCTION MANUAL

IMPORTANT SAFEGUARDS

- Incorrect operation and improper handling can lead to malfunction of the appliance and injuries to the user.
- Before the first connecting of the appliance check that voltage indicated on the rating label corresponds to the main voltage in your home.
- WARNING!** The appliance cord plug have grounding wire and terminal. The wall outlet must be suitable and provided with proper grounding.
- For home use only. Do not use for industrial purposes. Do not use the appliance for any other purposes than described in this instruction manual.
- Do not use outdoors.
- Always unplug the appliance from the power supply before cleaning and when not in use.

ATTENTION! Children are allowed to operate microwave oven only if they got corresponding and clear instructions on safe and proper oven operation and possible dangerous situations when improper using.

- Do not leave the appliance switched on when not in use.
- Do not use other attachments than those supplied.
- Do not operate after malfunction or cord damage.

ATTENTION! Do not operate microwave oven with damaged door or door sealing until the breakage will be repaired by authorized specialists.

ATTENTION! To avoid microwaves leakage danger, any cover may be removed by authorized specialists only.

- Keep the cord away from sharp edges and hot surfaces.
- Do not pull, twist, or wrap the power cord around appliance.
- Do not use the appliance for drying clothes or a paper.

ATTENTION! To prevent explosion do not process with microwaves any liquids or other products in hermetically closed utensils.

- During liquids heating by microwaves, the subsequent rough boiling can take place, therefore it is necessary to show attention and care for handling of utensils.
- To avoid an explosion, pierce a product, which has a dense peel, such as a potato, apples, an egg yolk, chestnuts, sausage etc.
- To prevent fire during foodstuff heating in the microwave oven using utensils made of inflammable materials, such as plastic or a paper, it is necessary to watch the oven.
- To prevent ignition or any malfunctions it is necessary to remember, that:
 - Burning of products results from too long preparation;
 - Remove all packing and foil before cooking;
 - In case of fire accident do not open the door, switch off the microwave oven and unplug it.
- Do not switch on the oven when it is empty. Do not use the chamber for storage of any subjects.
- Microwave oven is not intended for conservation of products.
- Do not put products directly on a bottom of the chamber, use removable wire rack or non-stick flat baking tray.
- Always check the food temperature, especially if you are cooking for a child. Give the food to cool down within several minutes.
- Always follow recipes of cooking, but remember, that some products (jams, puddings, stuffing for a pie from almonds, sugar or candied fruit) are heating up very quickly.
- To prevent circuit short keep air holes of the unit free of water.

IMPORTANT:

- Do not cook foods directly on the glass tray. Place food in/on proper cooking utensil before placing in the oven.
- Before cooking please ensure that the cookware you are going to use is suitable for microwave oven.
- Microwave utensils should be used only in accordance with manufacturer's instructions.
- Please remember that a microwave oven heats the liquid in the container quicker than the container itself. Therefore, though the lid of a container is not hot to touch when removed from the oven please remember that the food/liquid inside will be hot.
- Preliminary remove all packing, metal strips and foil from products.
- **Do not cook whole eggs in microwave oven.**

HOW TO CHOOSE YOUR MICROWAVE COOKWARE

WARNING! Follow utensils' marking and Manufacturer's guides.

APPLICABLE

- **Heat-proof glassware** - It most suitable for microwave cooking.
- **Heat-resistant plastic container** - Tightly closed containers are forbidden. Cannot be used for packing or containing foods with high fat or sugar contents.
- **Earthenware or chinaware** - Conventional utensils of these materials allowed unless firmed with gold, silver or any decorative metallic elements.
- **Special packing** (paper, plastic, etc.) for microwave ovens. Follow manufacture's guides exactly when use.

INAPPLICABLE

- **Film for freshment preservation and heat-resistant combustible plastic wares** - Never apply to packing meat or frying foods.
- **Metal wares (e.g. aluminum, stainless steel, etc.) and aluminum foil*** - Won't let microwave go through and will spark or ignite while touching the cavity wall during cooking.
- *Applicable for wrapping several parts of product to prevent overheating and resulting burnt. Avoid contact with interior walls, minimum distance must be >2 cm.
- **Plastics** - Unfit for microwave cooking.
- **Non-heat-proof glassware** - May deform or flaw in a highly hot circumstance. Curved or strengthened glassware are not applicable.
- **Lacquer ware** - May flaw or peel off.
- **Paper, bamboo or wooden ware** - May be burnt in a while of (cooking) heating.
- **Melamine dishes** - they contain a material, which will absorb microwave energy. This way cause the dishes to crack or char and will slow down the cooking speed.

HOW TO IDENTIFY COOKWARE APPROPRIATENESS FOR MICROWAVE COOKING?

- Put the intended cookware together with a glass of water (250 ml) inside the oven cavity, and then switch on the oven at the maximum power for one minute.
- Suitable for microwave cookware will be as cool as ever, while the water will absorb the energy and become warmer.

USEFUL TIPS

- For uniform heating turn over products during cooking.
- Do not cook in a container with a restricted opening, such as a soft drink bottle or salad oil bottle, as they may explode if heating in a microwave oven.
- Do not use conventional meat or candy thermometers. These are thermometers available specifically for microwave cooking. These may be used.

BEFORE YOU CALL FOR SERVICE

- Check to ensure that the:
 - Power supply valid;
 - Timer settings are proper;
 - Door is securely closed engaging the door safety lock system.

RADIO INTERFERENCE

- Operation of the microwave oven can cause interference to your radio, TV or similar equipment.
- When there is interference, it may be reduced or eliminated by taking the following measures:
 - Clean door and sealing surface of the oven;
 - Move the microwave oven away from the receiver;
 - Reorient the receiving antenna of radio or television.

- Plug the microwave oven into a different outlet so that microwave oven and receiver are on different branch circuits.

INSTALLATION

- Make sure that all the packing materials are removed from the unit.
- Check the oven for any damage in transit:
 - Misaligned or bent door and sealing;
 - Housing and door window;
 - Inside surfaces.
- If any damage occurs while using, switch off and unplug the oven and contact qualified service personnel.
- Place the microwave oven on a flat, stable surface, able to hold its weight with a food to be cooked in the oven.
- Do not place the oven where heat, moisture or high humidity are generated, or near flammable materials.
- Do not place anything on the oven. Do not block any openings on the appliance.
- For correct operation, the oven must have sufficient airflow. Allow 20 cm free space above the oven, 10 cm back and 5 cm from both sides.

MICROWAVE COOKING METHODS

- Arrange food carefully. Place thickest areas towards outside of dish.
- Watch cooking time. Cook for the shortest amount of time indicated and add more if needed. Food severely overcooked can smoke or ignite.
- Cover foods while cooking. Cover prevents spattering and helps to cook food evenly.
- Rearrange food such as meatballs halfway through cooking both from the top to the bottom and the center of the dish to the outside.
- Round/oval dishes rather than square/oblong ones are recommended, as food in corners tends to overcook.

OPERATION

- Plug oven to main.
- Place food into the oven and close the door.
- The oven light and cooling fan will come on while the timer is operating and "Instant/start" button is pressed.
- After a set time is over, display will show "End", and beeps will sound every 3 minutes until the oven door will opened or any button will pressed.

COOKING INTERRUPTION

- This feature is useful for checking a food cooking degree.
- Cooking will be stopped while the door is opened. With the closed door and pressed "Instant/start" button treatment will continue.
- To interrupt operating press "Pause/Cancel" button.

MULTIFUNCTION REGULATOR

- Use to set current clock, time, and treatment mode.

CURRENT TIME SETTING

- The LED display will flash «88:88» when plugged to power supply and after 3 seconds change to «-:-» flash, prompting you to set current clock.
- The oven clock is of 24h size.
- Press "Clock" button.
- Set current hours by pressing multifunctional buttons.
- Press "Clock" button once more.
- Set current minutes by pressing the multifunction regulator.
- Press "Clock" button to confirm settings and hold it on 5 sec.

POWER LEVELS

- Press "Pause/Cancel" button.
- Guiding by a Table set a power level, pressing "Power" button. With each subsequent button pressing display will show power level: **100P→80P→60P→40P→20P**.
- Pressing multifunctional buttons set treatment duration (max. 99 min. 99 sec.).
- Press "Instant/start" button.

"Power" Pressing times	LED display Indication	Power level
1	100P	Maximum
2	80P	High power
3	60P	Medium power
4	40P	Medium low power
5	20P	Low power

AUTOMATIC COOKING

- Power level and treatment duration are pre-set for some food.
- Press multifunctional buttons to set suitable mode.
- Press "Instant/start" button.

LED display Indication	Auto cooking menu	Operation time min:sec
A1	Popcorn (85 g)	2:30
A2	Popcorn (100 g)	2:40
A3	Pizza	1:00
A4	Beverage (250 ml)	2:20
A5	Beverage (500 ml)	4:40
A6	Potatoes (0,45 kg)	7:12
A7	Potatoes (0,65 kg)	10:12
A8	Fish (0,45 kg)	6:30

WEIGHT DEFROST

- Select food category with "Defrost" button.
- Press the multifunctional buttons to select a weight in grams as shown on screen.

LED display Indication	Auto defrosting menu	Weight adjustment
D1	meat	100 g...2 kg
D2	poultry	200 g...3 kg
D3	seafood	100 g...900 g

- Press "Instant/start" button.
- During the defrosting, there will be beeps to remind you to rearrange or turn over the food.

GRILL/COMBI

- Pressing "Grill/combi" button select suitable mode.
- Press multifunctional buttons to set treatment duration.
- Press "Instant/start" button.

- G-1 – 100%
- COMBI 1 is recommended for fish, potatoes cooking: 30% - microwaves; 70 % - grill.
- COMBI 2 is recommended for Omelette, potatoes and poultry baking: 55 % - microwaves; 45% - grill.

DELAYED COOKING

- Allows to start operating at a pre-set time.
- Press "Power" button to choose power.
- Press multifunctional buttons to set cooking time.
- For example, you need to cook by "10:30":
- Press "Clock" button and keep it for 3 seconds.
- Set 10 hours with multifunctional regulator.
- Press "Clock" button once more.
- Set 30 minutes with multifunctional regulator.
- Press "Clock" button once to confirm starting time.
- Oven will start operating automatically at 10:30.
- To check pre-set time press and release "Clock" button.
- To start operating immediately, press "Instant/start" button.
- To cancel delayed cooking mode press "Pause/Cancel" button.
- If pre-set cooking has not been programmed and only time to start is set, a few beeps will be sound at pre-set time.

MULTI-STAGE PROGRAM COOKING

- Using "Power" button set power level (relative to Maximum rate).
- Press multifunctional buttons to set treatment duration.
- Pressing "Grill/combi" button select suitable mode.
- Press multifunctional buttons to set treatment duration.
- Press "Instant/start" button.

NOTE: defrosting available before cooking only.

AUTO REMINDER

- After a treatment has completed, 3 beeps will sound every 3 minutes until the door will be opened or the "Pause/Cancel" button is touched.

CHILD-SAFETY LOCK

- Use to prevent unsupervised operation of the oven by little children or when you clean the oven.
- To set or cancel safety lock, hold down the "Pause/Cancel" button for 3 seconds.
- After setting the lock, the LED appears "OFF" and a beep will be sound. All the buttons are de-activated in this mode.

PAUSE/CANCEL FUNCTION

- To stop the Microwave Oven or Clear Entries.
- Press "Pause/Cancel" button and the Microwave Oven will interrupt.
- When the Microwave Oven is in setting status, press "Pause/Cancel" pad to cancel setting.

NOTE: Cooking times may also vary depending on products shape, cut and arrangement.

- For best results remove all products from package, place at a shallow container or on a microwave cooking rack. The Glass Turntable must be used at all times.
- Cover products with special microwave lids or plastic wrap with one corner folded back to get out excess steam. Lids and glass casseroles are very hot – handle it carefully!
- Arrange such products as potatoes, cupcakes etc in a circle with at least 2.5 cm space between for uniform treatment.
- Food along the utensil edges heats first, so stir it toward the center.
- Do not stack food. Arrange it in a single layer only. Place more thicker pieces closer to dishes edges.
- Pierce product shell or skin before cooking to avoid burst.
- Reheat only precooked refrigerated food and stir if the amount is large.
- POPCORN – When popping popcorn in microwave oven, follow exact guides, given by each Manufacturer for its product and do not leave microwave oven unattended at this time. If corn fails to pop after the suggested time, interrupt cooking. Overcooking could result to fire.

CAUTION: Never use a brown paper bags for popping corn or attempt to pop leftover kernels. Do not pop prepackaged popcorn directly on the glass turntable; place the bag on a plate.

ATTENTION: Food must be turned over during treatment in microwave oven.

- After treatment time is over, the oven will automatically go off and the beep will sound.

NOTE: Oven stops operating when the door is opened.

CLEANING AND CARE

- Before cleaning switch off and unplug the appliance from power supply.
- Let the oven cool down completely.
- Wipe the control panel, an external, internal surfaces and glass turntable by a damp cloth with warm soapy water and wipe dry.
- Do not use aggressive or abrasive materials.
- To avoid unpleasant smells out of the chamber make the following operation: in deep utensils, suitable for cooking in the electric oven, add a glass of water with juice of one lemon. Set the timer to 5 minutes, switch mode control to maximum position. After the signal take the utensils out from the chamber and wipe inside walls with a dry cloth.

STORAGE

- Be sure the appliance is unplugged.
- Complete all requirements of chapter "CLEANING AND CARE".
- Keep electric oven with slightly opened door in a dry cool place.

RUS РУКОВОДСТВО ПО ЭКСПЛУАТАЦИИ

МЕРЫ БЕЗОПАСНОСТИ

- Неправильное обращение с прибором может привести к его поломке и причинить вред пользователю.
- Перед первоначальным включением проверьте, соответствуют ли технические характеристики изделия, указанные на наклейке, параметрам электросети.

ВНИМАНИЕ! Вилка шнура питания имеет провод и контакт заземления. Подключайте прибор только к соответствующим заземлённым розеткам

- Использовать только в бытовых целях в соответствии с данным Руководством по эксплуатации. Прибор не предназначен для промышленного применения.
- Не использовать вне помещений.
- Всегда отключайте устройство от электросети перед очисткой, или если Вы его не используете.

ВНИМАНИЕ! Использование печи без надзора разрешается детям только в том случае, если даны соответствующие и понятные им инструкции о безопасном пользовании печью и тех опасностях, которые могут возникнуть при ее неправильном пользовании.

- Не оставляйте включенный прибор без присмотра.
- Не используйте принадлежности, не входящие в комплект поставки.
- Не используйте прибор с поврежденным шнуром питания.

ВНИМАНИЕ! При повреждении дверцы или дверных уплотнений с печью работать нельзя до тех пор, пока квалифицированный специалист не устранил неисправность.

ВНИМАНИЕ! Во избежание опасности повышенной утечки микроволнового излучения все ремонтные работы, связанные со снятием любых крышек, должны выполняться только специалистами.

- Следите, чтобы шнур питания не касался острых кромок и горячих поверхностей.
- Не тяните за шнур питания, не перекручивайте и не обматывайте его вокруг устройства.
- Используйте микроволновую печь только для приготовления продуктов. Ни в коем случае не сушите в ней одежду, бумагу или другие предметы.

ВНИМАНИЕ! Жидкости или другие продукты нельзя разогревать в закрытых емкостях во избежание взрыва этих емкостей.

- При нагреве напитков с помощью микроволн может иметь место последующее бурное кипение, поэтому необходимо проявлять внимание и осторожность при обращении с емкостями.
- Чтобы продукты не лопались во время приготовления, перед закладкой в печь протыкайте ножом или вилкой плотную кожуру или оболочку, например, картофеля, яблок, каштанов, колбасы и т.п.
- При нагреве в печи пищевых продуктов в посуде из легковоспламеняющихся материалов, таких как пластик или бумага, необходимо наблюдать за печью, чтобы не допустить возгорания.
- Во избежание возгорания в духовом шкафу печи необходимо:
 - избегать пригара продуктов в результате слишком продолжительного приготовления;
 - загружать продукты в микроволновую печь без упаковки, в т.ч. без фольги;
 - в случае возгорания в камере, не отрывая дверцы, выключите печь и отключите ее от электросети.
- Не включайте печь с пустой камерой. Не используйте камеру для хранения чего-либо.
- Микроволновая печь не предназначена для консервирования продуктов.
- Не выкладывайте продукты непосредственно на дно камеры, используйте съемную решетку или поддон.
- Всегда проверяйте температуру готовой пищи, особенно, если она предназначена для детей. Не подавайте блюдо к столу сразу же после приготовления, дайте ему немного остыть.
- Руководствуйтесь рецептами приготовления, но помните, что некоторые продукты (джемы, пудинги, начинки для пирога из миндаля, сахара или цукатов) нагреваются очень быстро.
- Во избежание короткого замыкания и поломки печи, не допускайте попадания воды в вентиляционные отверстия.

ВНИМАНИЕ:

- Продукты следует готовить в специальной посуде, а не выкладывать непосредственно на стеклянное блюдо, за исключением случаев, специально оговоренных в рецепте приготовления блюда.
- Используйте только посуду, предназначенную для микроволновой печи.
- Пригодной для приготовления в микроволновых печах посудой следует пользоваться в строгом соответствии с инструкциями изготовителя посуды.
- Помните, что в микроволновой печи содержимое нагревается намного быстрее, чем посуда, поэтому будьте предельно внимательны при извлечении посуды из печи, осторожно открывайте крышку во избежание ожога паром.
- Предварительно удаляйте с продуктов или их упаковки металлические ленты и фольгу.
- **В микроволновой печи нельзя готовить неразбитые яйца.**

ПОСУДА ДЛЯ МИКРОВОЛНОВОЙ ПЕЧИ

ВНИМАНИЕ! Руководствуйтесь маркировкой на посуде и указаниями производителя.

ПРИГОДНАЯ

- **Жаропрочное стекло** - наилучший материал посуды для приготовления в микроволновой печи.
- **Термостойкий пластик** – в такой посуде не следует готовить пищу с высоким содержанием жира или сахара. Нельзя использовать плотно закрывающиеся контейнеры.
- **Фаянс и фарфор** - подходят для готовки в микроволновой печи, за исключением позолоченной, посеребренной или посуды с декоративными металлическими элементами.
- **Специальная упаковка** (бумажная, пластиковая и др.), предназначенная для микроволновых печей – строго придерживайтесь указаний изготовителя.

НЕПРИГОДНАЯ

- **Пленка для хранения продуктов, а также термостойкие полиэтиленовые пакеты** – непригодны для жарки мяса и любых других продуктов.
- **Металлическая посуда (алюминиевая, из нержавеющей стали и др.) и пищевая фольга*** - экранируют микроволны; при контакте со стенками жарового шкафа могут вызвать искрение и короткое замыкание в процессе приготовления.
- *Можно применять для оборачивания одним слоем отдельных частей продукта во избежание перегрева и пригорания. Не допускайте контакта со стенками, расстояние до них должно быть не меньше 2 см.
- **Плавкие пластики** - не подходят для приготовления в микроволновой печи.
- **Лакированная посуда** - под воздействием микроволн лак может расплавиться.
- **Обычное стекло (в т.ч. фигурное и толстое)** - под воздействием высоких температур может деформироваться.
- **Бумага, соломка, дерево** - под воздействием высокой температуры могут воспламениться.
- **Меламиновая посуда** - может поглощать микроволновое излучение, что вызывает ее растрескивание или термодеструкцию и существенно увеличивает время приготовления.

КАК ОПРЕДЕЛИТЬ, ПОДХОДИТ ЛИ ПОСУДА ДЛЯ МИКРОВОЛНОВОЙ ПЕЧИ?

- Включите печь и установите переключатель режимов работы на максимальную мощность (максимальная температура), поместите в печь на 1 минуту тестируемую посуду и поставьте рядом стакан воды (~ 250 мл).
- Посуда, пригодная для приготовления пищи в микроволновой печи останется той же температуры, что и перед установкой в печь, в то время как вода нагреется.

ПОЛЕЗНЫЕ СОВЕТЫ

- Для равномерного прогрева продуктов переворачивайте их во время приготовления.
- Не используйте посуду с узким горлышком, бутылки, так как они могут взорваться.
- Не используйте термометры для измерения температуры продуктов. Используйте только специальные термометры, предназначенные для микроволновых печей.

ПРЕЖДЕ, ЧЕМ ОБРАТИТЬСЯ В СЕРВИС

- Если печь не включается, проверьте:
 - исправность розетки и наличие напряжения в электросети;
 - правильность установки таймера;
 - плотно ли закрыта дверца.

РАДИОПОМЕХИ

- Микроволны могут вызвать помехи при приеме теле- или радиосигналов.
- Чтобы минимизировать помехи:
 - регулярно очищайте дверцы и металлические уплотнители;
 - устанавливайте телевизор и радиоприемник как можно дальше от микроволновой печи;
 - ориентируйте приемную антенну для достижения наилучшего результата.
 - подключите микроволновую печь и приемник к различным линиям электросети.

УСТАНОВКА

- Убедитесь, что внутри печи нет упаковочных материалов и посторонних предметов.
- Проверьте, не повреждены ли при транспортировке:
 - дверца и металлические уплотнители;
 - корпус и смотровое окно;
 - стенки камеры.
- При обнаружении любых дефектов не включайте печь; обратитесь к продавцу или в сервисный центр.
- Установите микроволновую печь на ровную горизонтальную поверхность, достаточно прочную, чтобы выдержать вес печи с продуктами и посудой.
- Не размещайте печь вблизи источников тепла.
- Ничего не кладите на печь. Не перекрывайте вентиляционные отверстия.
- Для нормальной работы печи необходимо обеспечить свободное пространство для вентиляции: не менее: 20 см сверху, 10 см со стороны задней панели и не менее 5 см с боковых сторон.

ПРИЕМЫ ГОТОВКИ В МИКРОВОЛНОВОЙ ПЕЧИ

- Размещайте продукты более толстыми частями ближе к краям блюда.
- Следите за временем приготовления, задавайте его по минимуму, постепенно увеличивая по мере необходимости. При слишком продолжительной готовке продукты могут задымить и загореться.
- Накрывайте продукты – это обеспечит более равномерный нагрев и предотвратит разбрызгивание.
- Для более равномерного прогрева и ускорения приготовления переворачивайте и перемешивайте продукты.
- Круглые/овальные блюда, в отличие от квадратных/прямоугольных, также обеспечивают более равномерный прогрев.

РАБОТА

- Подключите печь к электросети.
- Поместите продукты в печь и закройте дверцу.
- После установки времени приготовления (и до его истечения) после нажатия кнопки "Instant/start", включены внутреннее освещение камеры и система вентиляции.
- По истечении заданного времени обработки на дисплее появляется надпись "End" и каждые 3 минуты раздается серия звуковых сигналов, пока не будет открыта дверца или нажата кнопка "Pause/Cancel".

ПРИОСТАНОВКА ПРИГОТОВЛЕНИЯ

- Данная функция полезна для проверки степени готовности продукта.
- Обработку можно прервать, просто открыв дверцу. Если ее закрыть и нажать "Instant/start", процесс будет продолжен.
- При необходимости прервать обработку, нажмите кнопку "Pause/Cancel".

МНОГОФУНКЦИОНАЛЬНЫЙ РЕГУЛЯТОР

- Предназначен для установки текущего времени, выбора режима и времени обработки.

УСТАНОВКА ТЕКУЩЕГО ВРЕМЕНИ

- При подключении печи к электросети дисплей мигает и показывает «88:88», через 3 секунды отображается «-:-», после чего можно устанавливать текущее время.
- Часы работают в 24-часовом формате.
- Нажмите кнопку "Clock" (ВРЕМЯ).
- Нажимая многофункциональный регулятор, установите текущие часы.
- Нажмите кнопку "Clock" еще раз.
- Нажимая многофункциональный регулятор, установите текущие минуты.
- Для подтверждения установок нажмите кнопку "Clock" и удерживайте ее 5 сек.

УРОВНИ МОЩНОСТИ

- Нажмите кнопку "Pause/Cancel".
- Руководствуясь таблицей установите мощность, нажимая кнопку "Power". При каждом последующем нажатии дисплей будет показывать выходную мощность в % от максимальной: 100P→80P→60P→40P→20P..
- Многофункциональным регулятором задайте продолжительность обработки (макс. 99 мин. 99 сек.).
- Нажмите кнопку "Instant/start".

Сколько раз нажать кнопку "Power"	Показание дисплея	Уровень мощности
1	100P	Максимальная
2	80P	Высокая
3	60P	Средняя
4	40P	Низкая
5	20P	Минимальная

АВТОМАТИЧЕСКОЕ ПРИГОТОВЛЕНИЕ

- Уровень мощности и время приготовления некоторых продуктов задаются автоматически.
- Нажимая многофункциональный регулятор, выберите подходящий режим.
- Нажмите кнопку "Instant/start".

Показания дисплея	Продукты, для которых настроен автоматический режим	Запрограммированное время приготовления, мин.:сек.
A1	Попкорн (85 г)	2:30
A2	Попкорн (100 г)	2:40
A3	Пицца	1:00
A4	Супы (250 мл)	2:20
A5	Супы (500 мл)	4:40
A6	Картофель (0,45 кг)	7:12
A7	Картофель (0,65 кг)	10:12
A8	Рыба (0,45 кг)	6:30

АВТОРАЗМОРАЖИВАНИЕ С УЧЕТОМ ВЕСА

- Кнопкой "Defrost" выберите категорию продукта.
- Многофункциональным регулятором выберите вес продукта в граммах (отображается на дисплее).

Режим размораживания	Продукт	Вес продукта
D1	мясо	100 г...2 кг
D2	птица	200 г...3 кг
D3	морепродукты	100 г...900 г

- Нажмите "Instant/start".
- Во время обработки раздадутся звуковые сигналы, после чего продукты следует перевернуть.

РЕЖИМ ГРИЛЬ / КОМБИ

- Нажимая кнопку "Grill/combi", выберите подходящий режим.
- Многофункциональным регулятором установите время приготовления.
- Нажмите кнопку "Instant/start".
- G-1 – 100%.
- Режим "СОМБИ 1" рекомендуется для приготовления рыбы, картофеля: 30% времени – микроволны, 70% - гриль.
- Режим "СОМБИ 2" рекомендуется для приготовления омлетов, запеченного картофеля и птицы: 55% - микроволны, 45% - гриль.

ОТСРОЧКА НАЧАЛА ПРИГОТОВЛЕНИЯ

- Позволяет запрограммировать время начала обработки.
- Нажимая кнопку "Power" выберите режим обработки.
- Многофункциональным регулятором установите продолжительность обработки.
- Например, необходимо начать приготовление в "10:30".
- Нажмите кнопку "Clock" и удерживайте ее в течение 3 секунд.
- Многофункциональным регулятором установите 10 часов.
- Нажмите кнопку "Clock" еще один раз.
- Многофункциональным регулятором установите 30 минут.
- Нажмите кнопку "Clock" один раз для подтверждения времени начала приготовления.
- В "10:30" печь автоматически включится.
- Для просмотра заданного времени нажмите и отпустите кнопку "Clock".
- Чтобы начать работу раньше запрограммированного времени, нажмите кнопку "Instant/start".
- Для отмены режима программирования нажмите кнопку "Pause/Cancel".
- Если задать время начала приготовления, но не установить текущее время, в назначенный срок печь не включится, а лишь выдаст серию звуковых сигналов.

ПОЭТАПНОЕ ПРОГРАММИРУЕМОЕ ПРИГОТОВЛЕНИЕ

- Кнопкой "Power" установите уровень мощности (в % от максимальной).
- Многофункциональным регулятором установите продолжительность приготовления.
- Нажимая кнопку "Grill/combi", выберите подходящий режим.
- Многофункциональным регулятором установите время приготовления.
- Нажмите кнопку "Instant/start".

ПРИМЕЧАНИЕ: стадию размораживания можно включать только перед приготовлением.

АВТОНАПОМИНАНИЕ

- По окончании обработки каждые 3 минуты будут раздаваться звуковые сигналы, пока не будет открыта дверца или нажата кнопка "Pause/Cancel".

БЛОКИРОВКА

- Не позволяет маленьким детям включать печь без присмотра взрослых.
- Для установки и снятия блокировки необходимо нажать и удерживать в течение 3-х секунд кнопку "Pause/Cancel".
- После установки блокировки на дисплее появится "OFF" и раздастся звуковой сигнал. Все кнопки заблокированы.

ФУНКЦИЯ PAUSE/CANCEL (СТОП/СБРОС)

- Данная функция служит для остановки работы печи или отмены установок.
- Нажмите кнопку "Pause/Cancel", чтобы приостановить работу печи.
- Если печь работает по программе, нажмите кнопку "Pause/Cancel", чтобы отменить установки.

ПРИМЕЧАНИЕ: Время приготовления также может изменяться в зависимости от формы, размеров и размещения продуктов. Большие или толстые куски готовятся дольше, а мелкие – быстрее.

- Размораживайте продукты без упаковки в неглубоком поддоне или на решетке для микроволновой обработки, обязательно используя вращающееся стеклянное блюдо. Замораживая продукты, придавайте им по возможности компактную форму.
- Накрывайте продукты специальными крышками или пластиком, отгибая один их углов для выпуска избыточного пара. Крышки очень сильно нагреваются – обращайтесь с ними осторожно!
- Расстояние между продуктами, например, овощами, кексами и т.п. должно быть не меньше 2,5 см, чтобы обеспечить равномерную обработку.
- Перемешивание необходимо, поскольку у краев посуды продукты нагреваются сильнее.
- Размещайте продукты только в один слой, более толстые куски кладите ближе к краям.
- Протыкайте плотную кожуру или оболочку, чтобы избежать разрыва продукта.
- Разогревайте только готовые и охлажденные продукты, перемешивая их.
- Попкорн – строго придерживайтесь инструкций производителя и не оставляйте микроволновую печь без присмотра. Если продукт не готов в положенное время, прервите готовку. Слишком продолжительная обработка может привести к возгоранию.

ПРЕДОСТЕРЕЖЕНИЕ: Не используйте пакеты из коричневой бумаги для приготовления попкорна и не пытайтесь использовать остатки зерен. Не помещайте упаковку с попкорном непосредственно на стеклянное блюдо, кладите его на тарелку.

ВНИМАНИЕ: Во время процесса обработки в микроволновой печи продукты необходимо переворачивать.

- По истечении установленного времени печь автоматически отключится и раздастся звуковой сигнал.

ПРИМЕЧАНИЕ: При открытой дверце печь работать не будет.

ОЧИСТКА И УХОД

- Перед очисткой выключите и отключите печь от электросети.
- Дайте печи полностью остыть.
- Протрите панель управления, внешние и внутренние поверхности, стеклянное блюдо влажной тканью с моющим средством.
- Не применяйте агрессивные вещества или абразивные материалы.
- Чтобы удалить неприятный запах, налейте в какую-либо глубокую посуду, пригодную для микроволновой печи, стакан воды с соком из одного лимона, и поставьте в печь. Установите таймер на 5 минут, переключатель режимов работы в максимальное положение. Когда раздастся звуковой сигнал и печь отключится, извлеките посуду и протрите стенки камеры сухой тканью.

ХРАНЕНИЕ

- Убедитесь, что печь отключена от электросети и полностью остыла.
- Выполните все требования раздела "ОЧИСТКА И УХОД".
- Храните печь с приоткрытой дверцей в сухом чистом месте.

NÁVOD K POUŽITÍ BEZPEČNOSTNÍ POKYNY

- Nesprávné manipulace se spotřebičem mohou vést k jeho poruchám anebo způsobit zranění uživatele.
- Před prvním použitím spotřebiče zkontrolujte, zda technické údaje uvedené na nálepce odpovídají parametrům elektrické sítě.
- UPOZORNĚNÍ!** Zástěrka napájecího kabelu má šňůru a uzemňovací kontakt. Připojte spotřebič pouze ke příslušným uzeměným zásuvkám.
- Používejte pouze v domácnosti a v souladu s tímto Návodem k použití. Spotřebič není určen pro průmyslové účely.

- Používejte přístroj pouze ve vnitřních prostorách.
 - Vždy vytáhněte zástrčku ze zásuvky před čištěním a v případě, že spotřebič nepoužíváte.
- UPOZORNĚNÍ!** Použití trouby dětmi bez dohledu je povoleno pouze v případě, když jim jsou dány příslušné a srozumitelné bezpečnostní pokyny a vědí o nebezpečí, které může způsobit nesprávné použití trouby.
- Nenechávejte zapnutý spotřebič bez dozoru.
 - Používejte spotřebič výhradně s příslušenstvím z dodávky.
 - Nepoužívejte spotřebič s poškozeným napájecím kabelem.
- UPOZORNĚNÍ!** Při poškození dvířek nebo těsnění je zakázáno použití trouby, dokud ji odborník neopraví.
- UPOZORNĚNÍ!** Pro zamezení nebezpečí zvýšeného mikrovlnného záření, veškeré opravy spojené s demontáží jakýchkoli krytů s mikrovlnné trouby smí provádět pouze odborník.
- Dávejte pozor a chraňte síťový kabel před ostrými hranami a horkem.
 - Netáhněte za napájecí kabel, nepřekrucujte jej a neotáčejte kolem tělesa spotřebiče.
 - Používejte mikrovlnné trouby výhradně pro přípravu pokrmů. V žádném případě nesaďte v ní oděv, papír nebo jiné předměty.
- UPOZORNĚNÍ!** Tekutiny a jiné potraviny nelze ohřívat v zavřených nádobách, jinak by tyto nádoby mohly explodovat.
- Při ohřívání pomocí mikrovlnné trouby nápojů, nějakou dobu po ohřívání může tekutina vřele vařit. Dávejte si na to pozor.
 - Aby potraviny nepraskly během přípravy, než je dáte do pečící trouby, propíchněte nožem nebo vidličkou tvrdou slupku nebo obal, např. u brambor, jablek, kaštanů, klobas apod.
 - Při ohřívání pomocí mikrovlnné trouby potravin v nádobě z hořlavých hmot, jako třeba plast a papír, pozorujte mikrovlnnou troubu, aby nedošlo k jejímu vzplanutí.
 - Pro zamezení požáru v pečící troubě je třeba:
 - dbát na to, aby se pokrmy nepřipekly kvůli příliš dlouhé době přípravy;
 - dávat do pečící trouby pokrmy bez balení, včetně alobalu;
 - v případě požáru v troubě, neotevírejte dvířka, vypněte pečící troubu a odpojte ji od elektrické sítě.
 - Nezapínejte prázdnou mikrovlnnou troubu. Nepoužívejte jí na uschování čokoliv.
 - Mikrovlnná trouba není určena pro konzervování potravin.
 - Nedávejte potraviny přímo na dno trouby, používejte odnímatelnou mřížku nebo pekač.
 - Vždy kontrolujte teplotu připravených pokrmů, obzvlášť jsou-li určeny pro děti. Nedávejte pokrmy ne stůl hned, počkejte až trochu vychladnou.
 - Můžete se řídit kuchařskými recepty, pamatujte si však, že se některé potraviny (džemy, pudink, nádivky z mandlí, cukru nebo kandovaného ovoce) zahřejí velice rychle.
 - Pro zamezení zkratu a poškození pečící trouby dbějte na to, aby se do větracích otvorů nedostala voda.

UPOZORNĚNÍ:

- Pokrmy se připravují ve speciálním nádobí, nedávejte je přímo na skleněnou mísu, kromě případu, které jsou zvláštně popsány v receptech.
- Používejte jen nádoby, které je určeno pro mikrovlnnou troubu.
- Vhodného pro přípravu v mikrovlnné troubě nádobí používejte přesně v souladu s návodem výrobce nádobí.
- Pamatujte si, že se v mikrovlnné troubě pokrmy ohřívají mnohem rychleji než nádoby, a proto pro zamezení popálenin dávejte pozor, když vyndáváte nádoby s pokrmem z trouby a zvedáte poklici.
- Předem odstraňte z potravin nebo jejich obalů kovovou stužku nebo alobal.

V mikrovlnné troubě nelze připravovat vejce ve skořápkách.

NÁDOBÍ PRO MIKROVLNNOU TROUBU

UPOZORNĚNÍ! Sledujte informaci na nádobí a pokyny výrobce.

VHODNÉ

- **Žáropevné sklo** – nejlepší látka nádobí pro mikrovlnnou troubu.
- **Teplotzdorný plast** – v takovém nádobí nelze připravovat pokrmy s velkým obsahem tuku nebo cukru. Nepoužívejte nádoby, které se hermeticky zavírají.
- **Fajáns a porcelán** – vhodné pro přípravu v mikrovlnné troubě, kromě nádobí s pozlacením, postříbením nebo ozdobnými kovovými prvky.
- **Speciální obaly** (papírové, plastové aj.) určené pro mikrovlnné trouby – přesně splňujte pokyny výrobce.

NEVHODNÉ

- **Folie a teplotzdorné plastové sáčky** – nejsou vhodné pro smažení masa a jakýchkoliv jiných potravin.
- **Kovové nádoby (hliníkové, nerez aj.) a alobal*** - stíní mikrovlny; při kontaktu se vnitřní plochou trouby mohou způsobit jiskření a zkrat během přípravy pokrmů.
- *Můžete používat na jednovrstvé balení některých částí pokrmů pro zamezení přehřátí a připalování. Dbejte na to, aby se alobal nedotýkal vnitřní plochy trouby, minimální vzdálenost je 2 cm.
- **Tavitelné plasty** – jsou nevhodné pro přípravu pokrmů v mikrovlnné troubě.
- **Lakované nádoby** – působením vysoké teploty se může lak roztavit.
- **Obyčejné sklo (včetně tvarového a silného)** – působením vysoké teploty se mohou deformovat.
- **Papír, sláma, dřevo** – působením vysoké teploty mohou začít hořet.
- **Melaminové nádoby** – může poškodit mikrovlnné záření, mohlo by to způsobit pukání nebo termodestrukci nádobí a prodloužit dobu přípravy pokrmů.

JAK ZJISTÍTE, ŽE TOTO NÁDOBÍ JE VHODNÉ PRO MIKROVLNNOU TROUBU?

- Zapněte mikrovlnnou troubu a nastavte přepínač provozních režimů na maximální výkon (maximální teplotu), dejte do trouby na dobu 1 minuta nádoby a vedle něho postavte sklenici s vodou (~ 250 ml).
- Nádoby vhodné pro přípravu pokrmů v mikrovlnné troubě bude mít stejnou teplotu, jako před tím, co jste ho dali do trouby, a voda ve sklenici se ohřeje.

PRAKTICKÉ RADY

- Pro rovnoměrné ohřívání pokrmů obraťte je během přípravy.
- Nepoužívejte nádoby s úzkým hrdlem, láhve, protože mohou explodovat.
- Nepoužívejte teploměry pro měření teploty pokrmů. Používejte pouze speciální teploměry určené pro mikrovlnné trouby.

NEŽ SE OBRÁTÍTE NA SERVISNÍ SRŘEDISKO

- Nezapíná-li se trouba, přezkontrolujte, zda:
 - je zásuvka v provozu a v elektrické sítě je proud;
 - je časovač nastaven správně;
 - dvířka dolehla.

RADIOVÉ PORUCHY

- Mikrovlnné trouby mohou způsobit poruchy při příjmu televizního a rozhlasového signálu.
- Aby poruchy byly minimální:
 - pravidelně čistěte dvířka a kovové těsnicí podložky;
 - stavte televizor co nejdále od mikrovlnné trouby;
 - nastavte přijímací anténu pro nejlepší výsledek.
 - připojte mikrovlnnou troubu a přijímač do různých linek elektrické sítě.

NASTAVENÍ

- Přezkontrolujte, zda uvnitř pečící trouby nejsou balící materiál a jiné předměty.
- Přezkontrolujte, zda nejsou poškozeny během převážení:
 - dvířka a kovové těsnicí podložky;

- těleso spotřebiče nebo průzor;
- vnitřní plochy trouby a dvířek.
- Má-li nová mikrovlnná trouba jakékoliv vady, obraťte se k prodejci.
- Postavte mikrovlnnou troubu na rovnou horizontální plochu. Musí být dost pevná, aby vydržela váhu trouby (i s potravinami a nádobím).
- Neumisťujte mikrovlnnou troubu v blízkosti zdrojů tepla.
- Nestavte nic na mikrovlnnou troubu ani nezavírejte větrací otvory.
- Pro normální provoz pečící trouby je potřeba volná prostora minimálně 20 cm shora, 10 cm zezadu a 5 cm z boků.

PŘÍPRAVA POKRMŮ V MIKROVLNNÉ TROUBĚ

- Silnější vrstvy potravin dávejte na okraje mísy.
- Kontrolujte dobu přípravy, nastavujte minimální čas a postupně ho přidávejte, pokud je to třeba. Je-li doba přípravy příliš dlouhá, pokrmy začnou kouřit a hořet.
- Přikryjte pokrmy – zajistí to rovnoměrnější ohřívání a zamezí roztrhávání.
- Pro rovnoměrnější ohřívání a rychlejší přípravu obraťte a míchejte pokrmy.
- Kulaté/zaoblené mísy na rozdíl od hmatných/obdélníkových také zajišťují rovnoměrnější ohřívání.

PROVOZ

- Zapojte mikrovlnnou troubu do elektrické sítě.
- Dejte potraviny do trouby a zavřete dvířka.
- Po nastavení doby přípravy potravin (a než uplyne) se stisknutím tlačítka "Instant/start" zapne osvětlení vnitřního prostoru a ventilační systém.
- Po uplynutí zvolené doby přípravy potravin se na displeji objeví nápis "End" a každé 3 minuty zazní řada akustických signálů, dokud neotevřete dvířka nebo stisknete jakékoliv tlačítko.

ZASTAVENÍ PŘÍPRAVY

- Tato funkce je vhodná pro kontrolu stupně hotovosti pokrmů.
- Můžete zastavit přípravu potravin pouhým otevřením dvířek. Když je zase zavřete a stisknete "Instant/start", příprava potravin bude pokračovat.
- Je-li nutno zastavit přípravu potravin, stiskněte tlačítko "Pause/Cancel".

VÍCEFUNKČNÍ REGULÁTOR

- Je určen pro nastavení časových údajů, zvolení provozního režimu a doby přípravy potravin.

NASTAVENÍ ČASOVÝCH ÚDAJŮ

- Při zapojení mikrovlnné trouby do elektrické sítě začne displej blikat a na něm se objeví «88:88», za 3 vteřiny se objeví «-:-», potom můžete nastavit časové údaje.
- Hodinky pracují ve dvou formátech: 24 hodin.
- Stiskněte tlačítko "Clock" (ČASOVÉ ÚDAJE).
- Stiskněte vícefunkční regulátor a nastavte aktuální hodiny.
- Stiskněte tlačítko "Clock" ještě jednou.
- Stiskněte vícefunkční regulátor a nastavte aktuální minuty.
- Pro potvrzení nastavení stiskněte tlačítko 5 s.

ÚROVNĚ VÝKONU

- Stiskněte tlačítko "Pause/Cancel".
- Podle tabulky nastavte výkon, stisknutím tlačítka "Power", nastavte požadovaný výkon. Po každém dalším stisknutí se na displeji ukáže výkon v %: **100P→80P→60P→40P→20P**.
- Pomocí vícefunkčního regulátoru nastavte dobu přípravy potravin (max. 99 min. 99 s.).
- Stiskněte tlačítko "Instant/start".

Kolikrát máte stisknout tlačítko "Power"	Údaje na displeji	Úroveň výkonu
1	100P	Maximální
2	80P	Vysoká
3	60P	Střední
4	40P	Nízká
5	20P	Minimální

AUTOMATICKÁ PŘÍPRAVA POTRAVIN

- Úroveň výkonu a dobu přípravy některých potravin lze nastavit automaticky.
- Stiskněte vícefunkčního regulátoru zvolte požadovaný režim.
- Stiskněte tlačítko "Instant/start".

Údaje na displeji	Potraviny pro které lze nastavit automatický režim	Doba přípravy podle programu, min.:vteř.
A1	Popkorn (85 g)	2:30
A2	Popkorn (100 g)	2:40
A3	Pizza	1:00
A4	Polévky (250 ml)	2:20
A5	Polévky (500 ml)	4:40
A6	Brambory (0,45 kg)	7:12
A7	Brambory (0,65 kg)	10:12
A8	Ryba (0,45 kg)	6:30

ROZMRAZOVÁNÍ PODLE VÁHY

- Stisknutím tlačítka "Defrost" zvolte druh potravin.
- Otočte vícefunkčním regulátorem a zvolte požadovanou váhu potravin v gramech (objeví se na displeji).

Režim rozmrazování	Potraviny	Váha potravin
D1	maso	100 g...2 kg
D2	drůbež	200 g...3 kg
D3	mořské plody	100 g...900 g

- Stiskněte "Instant/start".
- Zazní-li během přípravy akustické signály, otočte potraviny.

REŽIM GRIL / COMBI

- Stisknutím tlačítka "Grill/combi" zvolte požadovaný režim.
- Pomocí vícefunkčního regulátoru nastavte dobu přípravy.
- Stiskněte tlačítko "Instant/start".
- G-1 – 100%.
- Režim "COMBI 1" je doporučován pro přípravu ryby, brambor: 30% doby přípravy – mikrovlny, 70% - gril.

- Režim "COMBI 2" je doporučován pro přípravu omelet, zapékání brambor a drůbeže: 55% mikrovlny, 45% - gril.

PRODLOUŽENÍ DOBY ZAČÁTKU PŘÍPRAVY

- Umožňuje programování doby začátku přípravy.
- Stiskněte tlačítko "Power" a tak zvolte režim přípravy.
- Pomocí vícefunkčního regulátoru nastavte dobu přípravy.
- Například chcete začít přípravu potravin v "10:30".
- Stiskněte tlačítko "Clock" a tlačte na něj během 3 vteřin.
- Pomocí vícefunkčního regulátoru nastavte 10 hodin.
- Stiskněte tlačítko "Clock" ještě jednou.
- Pomocí vícefunkčního regulátoru nastavte 30 minut.
- Jednou stiskněte tlačítko "Clock" pro potvrzení doby začátku přípravy.
- V "10:30" se mikrovlnná trouba automaticky zapne.
- Pro kontrolu nastavených časových údajů stiskněte a uvolněte tlačítko "Clock".
- Chcete-li začít přípravu potravin před nastavenou dobou, stiskněte tlačítko "Instant/start".
- Pro zrušení režimu programů stiskněte tlačítko "Pause/Cancel".
- Nastavíte-li dobu začátku přípravy a nenastavíte-li aktuální čas, mikrovlnná trouba se v době, kterou nastavíte, nezapne, pouze zazní série akustických signálů.

POSTUPNÁ PROGRAMOVATELNÁ PŘÍPRAVA

- Pomocí tlačítka "Power" nastavte úroveň výkonu (%).
- Pomocí vícefunkčního regulátoru nastavte dobu přípravy.
- Stisknutím tlačítka "Grill/combi" zvolte požadovaný režim.
- Pomocí vícefunkčního regulátoru nastavte dobu přípravy.
- Stiskněte tlačítko "Instant/start".

UPOZORNĚNÍ: funkci rozmrazování lze zapnout pouze před přípravou potravin.

AUTOMATICKÉ PŘIPOMÍNÁNÍ

- Každé 3 minuty po zakončení přípravy potravin se budou ozývat akustické signály, zatímco nezavřete dvířka nebo nestisknete tlačítko "Pause/Cancel".

BLOKOVÁNÍ

- Nedovolujte, aby malé děti zapínaly mikrovlnnou troubu bez dohledu dospělých.
- Pro nastavení a zrušení blokování stiskněte tlačítko "Pause/Cancel" a tlačte na něj během 3 vteřin.
- Po nastavení blokování se na displeji objeví "OFF" a zazní akustický signál. Všechna tlačítka jsou zablokována.

FUNKCE PAUSE/CANCEL ("STOP/STORNO")

- Tato funkce slouží pro přerušování práce mikrovlnné trouby nebo pro zrušení nastavení.
- Stiskněte tlačítko "Pause/Cancel" pro dočasné zastavení mikrovlnné trouby.
- Pracuje-li mikrovlnná trouba podle programu, stiskněte tlačítko "Pause/Cancel" pro zrušení nastavení.

UPOZORNĚNÍ: Doba přípravy může být změněna vzhledem k tvaru, velikosti a poloze potravin. Velké a silné kusy se připravují déle, menší – rychleji.

- Rozmrazujte potraviny bez obalu ve mělké nádobě nebo na roštu pro mikrovlnnou troubu, nutně používejte otočnou skleněnou mísu. Při zamrazování potravin dbejte na to, aby měly kompaktnější tvar.
- Přikrývejte potraviny speciálními poklicemi nebo plastem, ohněte jeden z rohů pro vypouštění zbytků páry. Poklice se velmi ohřívají – buďte opatrní!
- Minimální vzdálenost mezi potravinami, např. zeleninou, pečivem apod. má být 2,5 cm, aby příprava byla rovnoměrná.
- Je třeba míchat, protože na okrajích se potraviny ohřívají více.
- Potraviny dávejte do mikrovlnné trouby jednou vrstvou, silnější kusy dávejte blíže k okrajům.
- Propíchněte silný obal, aby se potraviny neroztrhly.
- Ohřívajte pouze hotové nebo studené pokrmy, míchejte je.
- Popkorn – přesně sledujte návod výrobce a nenechávejte mikrovlnnou troubu bez dohledu. Není-li popkorn hotový za stanovenou dobu, přerušte přípravu. Příliš dlouhá doba přípravy může způsobit požár.

VAROVÁNÍ: Nepoužívejte obaly z hnědého papíru pro přípravu popkorna a nepoužívejte zbytky zrn. Nedávejte sáček s popkornem přímo na skleněnou mísu, dejte jej na talíř.

UPOZORNĚNÍ: Během doby přípravy v mikrovlnné troubě musíte potraviny otáčet.

- Po uplynutí nastavené doby se mikrovlnná trouba automaticky vypne a zazní akustický signál.

UPOZORNĚNÍ: S otevřenými dvířky nebude mikrovlnná trouba pracovat.

ČIŠTĚNÍ A ÚDRŽBA

- Před čištěním vypněte mikrovlnnou troubu a odpojte ji od elektrické sítě.
- Počkejte, až mikrovlnná trouba úplně vychladne.
- Otřete ovládací panel, vnější a vnitřní plochy vlhkým hadrem s mycím prostředkem.
- Nepoužívejte útočné látky ani brusné materiály.
- Pro odstranění nepříjemných zápachů nalijte do nějaké hluboké nádoby vhodné do mikrovlnné trouby jednu sklenici vody se šťávou jednoho citrónu a dejte ji uvnitř trouby. Nastavte časovač na 5 minut, přepínač režimů do maximální polohy. Až uslyšíte zvukový signál a mikrovlnná trouba se vypne, vyndejte nádobu a vytřete mikrovlnnou troubu suchým hadrem.

SKLADOVÁNÍ

- Překontrolujte, zda je mikrovlnná trouba odpojena od elektrické sítě a úplně vychladla.
- Splňte všechny pokyny části ČIŠTĚNÍ A ÚDRŽBA.
- Skladujte mikrovlnnou troubu s pootevřenými dvířky v suchem a chladném místě.

BG РЪКОВОДСТВО ЗА ЕКСПЛОАТАЦИЯ

ПРАВИЛА ЗА БЕЗОПАСНОСТ

- Неправилна експлоатация може да доведе до неизправности в работата на уреда или да причини здравословни и материални щети.
- Преди първо включване проверете, дали посочените технически характеристики на уреда съответстват с захранването във Вашата мрежа.
- ВНИМАНИЕ!** Щепселът на кабела и кабелът са заземени. Затова включвайте уреда само в специални заземени контакти.
- Използва се само за битови нужди и съответно това ръководство за експлоатация. Уредът не е предназначен за промишлена употреба.
- Не експлоатирайте уреда навън.
- Винаги изключвайте уреда от контакта, ако не го ползвате, а също така преди да го почиствате.
- ВНИМАНИЕ!** Използване на печката без надзор на възрастен се разрешава на децата само в случая, ако са им дадени съответни и точни инструкции за безопасното ползване на уреда и ако е казано за евентуалните опасности, които могат да възникнат при неправилна експлоатация на печката.
- Не оставяйте включения уред без надзор.
- Използвайте само съставните части от комплекта.
- Не експлоатирайте изделието с повреден кабел.
- ВНИМАНИЕ!** При повреда на вратичката или уплътнителите ѝ се забранява да експлоатира печката, докато квалифициран специалист отстрани нередовността.

ВНИМАНИЕ! С цел предотвратяване на поява на излишно микровълново излъчване всички поправки, свързани с каквото и да било разглобяване на печката, трябва да се извършват само от специалисти.

- Следете, кабелът да не докосва горещи повърхности и остри предмети.
- Не дърпайте, не усуквайте кабела, а също така не обвинявайте с кабела корпуса на уреда.
- Използвайте микровълновата печка само за приготвяне на продукти. В никакъв случай не подсушавайте в нея дрехи, хартия или други предмети.

ВНИМАНИЕ! Течности или други продукти да не се затоплят в затворени съдове с цел предотвратяване тяхната експлозия.

- При затопляне на течностите с помощта на микровълни, може да има силно блъбукане, затова внимавайте със съдовете, когато ги използвате.
- За да продуктите не се пукат по време на приготвяне, преди да ги слагате в печката, набодете с вилица или нож обелката или кожата на картофи, ябълки, кестени, салам и т.н.
- При затопляне в печката на продуктите, опаковани в леснозапалими материали, такива като пластмаса или хартия, необходимо е да наблюдавате процеса, за да избегнете изгаряния.
- С цел предотвратяване на изгаряния в камерата на печката е необходимо:
 - избягвайте загаряне на продукта в резултата не много дълго готвене;
 - слагайте продуктите в микровълновата печка без опаковка или фолио;
 - в случая на изгаряния в камерата, изключете печката, без да отваряте вратичката, и извадете щепсела от контакта.
- Не включвайте печката с празна камера. Не ползвайте камерата за съхраняване на нещата.
- Микровълновата печка не е предназначена за консервиране на храни.
- Не слагайте продуктите непосредствено на дъното на камерата, използвайте сваляща се решетка или табла.
- Винаги проверявайте температурата на пригответената храна, особено, ако тя е предназначена за деца. Не слагайте храната на масата веднага след приготвянето ѝ, нека тя първо да изстине.
- Като следвате готварски рецепти, внимавайте, защото някои продукти (сладка, пудинги, пълнежи за сладкиши от бадеми, захар или захаросани плодове) много бързо се затоплят.
- С цел предотвратяване на късо съединение или разваляне на печката, не допускайте попадане на вода във вентилационните отвори.

ВНИМАНИЕ:

- Продуктите трябва да се приготвят в специални съдове, а не да се слагат непосредствено върху стъклената чиния, с изключение на случаи, за които се пише в готварски рецепти.
- Използвайте само тези съдове, които са подходящи за експлоатация в микровълнови печки.
- Използвайте съдове, подходящи за микровълновите печки, само в съответствие с инструкции на производителя.
- Помнете, че в микровълновата печка храната се затопля много по-бързо, отколкото самите съдове, затова много внимавайте при вадене на нещата от камерата, не бързайте при отваряне на капака на съда, за да не се опечете от парата.
- Предварително премахвайте от продукта опаковка, метални обвивки и фолио.
- **В микровълновата печка се забранява приготвянето на неразбъркани яйца.**

СЪДОВЕ ЗА МИКРОВЪЛНОВАТА ПЕЧКА

ВНИМАНИЕ! Следвайте маркировка върху съдове и препоръки на производителя.

ПОДХОДЯЩИ СА:

- **Термоустойчиво стъкло** – най-добрият материал на съдове за готвене в микровълновата печка.
- **Термоустойчив пластик** – в такива съдове не се препоръчва да се приготвя храна с високо съдържание на мазнина или захар. Забранява се да се използват плътно затварящи се опаковки.
- **Фаянс и порцелан** – подходящи са за приготвяне в микровълновата печка, с изключение на позлатени, посребрени съдове или тези, които имат декоративни метални елементи.
- **Специална опаковка** (хартиена, пластмасова и др.), предназначена за микровълнови печки – стриктно спазвайте препоръки на производителя.

НЕ СА ПОДХОДЯЩИ

- **Найлоново фолио за съхраняване на продуктите, а също така термоустойчиви найлонови торбички** – не са подходящи за пържене на месо и различни други продукти.
- **Метални съдове (алуминиеви, от неръждаема стомана и др.) и фолио*** - екранират микровълни; при контакта с вътрешните повърхности на камерата могат да предизвикат искрене или късо съединение по време на приготвяне.
- *Отделни части на продукта обръщайте един път за да избегнете чрезмерно претопляне или загаряне на храната. Не допускайте контакта с вътрешните повърхности на камерата, разстоянието до тях трябва да бъде не по-малко от 2 см.
- **Топими пластмаси** – не са подходящи за използване в микровълновите печки.
- **Лакирани съдове** – под въздействие на микровълни лакът може да се разтопи.
- **Обикновено стъкло (също фигурно или дебело)** - под въздействие на високи температури може да се деформира.
- **Хартия, сламка, дърво** – под въздействие на високи температури могат да се възпламенят.
- **Меламинови съдове** – могат да поглъщат микровълново излъчване, което предизвиква спукване или термодеструкция и съществено увеличава време на приготвяне.

КАК ДА ОПРЕДЕЛИМ СЪДОВЕ, ПОДХОДЯЩИ ЗА МИКРОВЪЛНОВАТА ПЕЧКА?

- Включете печката и поставете превключвателя на режими за работа в максимално положение (максимална температура), поместете в печката за 1 минута тестван съд и поставете заедно с него чаша вода (~ 250 мл).
- Съдовете, подходящи за използване в микровълновите печки, съхраняват същата температура, която беше преди слагането им в печката, при това водата ще се затопли.

ПРЕПОРЪКИ

- За равномерно затопляне на продуктите можете да ги обръщате.
- Не ползвайте такива съдове с тесни отвори, като бутилки и т.н., защото те могат да експлодират.
- Не ползвайте термометри за измерване на температура на продуктите. Използвайте само специални термометри, предназначени за микровълновите печки.

ПРЕДИ ДА СЕ ОБЪРНЕТЕ В СЕРВИЗА

- Ако печката не се включва, проверете:
 - контактите трябва да са в работно състояние, а в мрежата да има напрежение;
 - таймерът да е поставен правилно;
 - вратичката да е затворена добре.

РАДИОСМУЩЕНИЯ

- Микровълни могат да предизвикват смущения при приемане на теле- или радиосигнали.
- За да минимизирате смущенията:
 - редовно почиствайте вратичките и металните уплътнители;
 - слагайте телевизора или радиото колкото може по-далече от микровълновата печка;
 - нагласете антената за да постигнете най-добри резултати на излъчването;
 - включвайте радиото и микровълновата печка в различни контакти.

УСТАНОВКА

- Проверете, вътре в печката да няма опаковъчни материали или странични предмети.
- Проверете, не са ли повредени при транспортиране:

- вратичката и металните уплътнители;
- корпусът и прозорчето;
- вътрешна повърхност на камерата.
- При наличие на някакви дефекти не включвайте печката, обърнете се към продавача или в сервизен център.
- Поставете микровълновата печка върху равна хоризонтална повърхност, тя да бъде доста стабилна, за да издържи теглото на печката заедно с продукти и съдове.
- Не слагайте печката близо до източници на топлина.
- Нищо не слагайте върху печката. Не затваряйте вентилационните отвори.
- За нормална работа на печката трябва да осигурите свободно пространство за вентилация: не по-малко от 20 см отгоре, 10 см откъм задната панела и не по-малко от 5 см от двете страни.

ГОТВЕНЕ В МИКРОВЪЛНОВАТА ПЕЧКА

- Поместете по-дебели части на продукта към края на чинията.
- Следете времето на приготвяне, първо сложете минимално време, а после го увеличавайте, ако е необходимо. При много дълго готвене продуктите могат да изгорят.
- Похлупвайте продуктите – това ще осигури по-равномерно затопляне и ще предотврати разпръскване.
- За по-равномерно затопляне и по-бързо приготвяне обръщайте и разбърквайте продуктите.
- Кръгли/овални чинии, за разлика от квадратни/правоъгълни също осигуряват по-равномерно затопляне.

РАБОТА

- Включете печката в контакта.
- Поместете продуктите в печката и затворете вратичката.
- След поставяне на време за приготвяне (и до неговото изтичане), след натискане на бутона "Instant/start", включват се вътрешно осветление на камерата и вентилация.
- След изтичането на даденото време на обработване върху дисплея ще се появи надписът "End" и през поредните 3 минути ще прозвучат няколко звукови сигнала, докато вратичката няма да бъде отворена или да бъде натиснат "Pause/Cancel" бутон.

СПИРАНЕ НА ПРИГОТВЯНЕ

- Тази функция е полезна за проверка на степента на приготвяне на продукта.
- Ако искате да прекъснете процеса на обработване, просто отворете вратичката. Когато ще я затворите и натиснете "Instant/start", процесът ще се възобнови.
- Ако е необходимо да прекъснете процеса на обработване, натиснете бутона "Pause/Cancel".

МНОГОФУНКЦИОНАЛЕН РЕГУЛАТОР

- Предназначен е за поставяне на текущо време, избор на режима и интервал на обработване.
- ПОСТАВЯНА ТЕКУЩО ВРЕМЕ
- В момента на включване на печката в контакта дисплеят показва «88:88», след 3 секунди ще се появи «:-:», после можете да нагласявате текущо време.
- Часовникът работи в 24-часов формат.
- Натиснете бутона "Clock" (ВРЕМЕ).
- Като натиснете многофункционалния регулатор, поставете текущи часове.
- Натиснете бутона "Clock" още веднъж.
- Като натиснете многофункционалния регулатор, поставете текущи минути.
- За потвърждаване на установките натиснете бутона "Clock" 5 с.

НИВАТА НА МОЩНОСТТА

- Натиснете бутона "Pause/Cancel".
- С помощта на таблицата, поставете необходима мощност, като натискате бутона "Power". При всяко следващо натискане върху дисплея ще се изписва изходна мощност в % от максималната: **100P→80P→60P→40P→20P**.
- С помощта на многофункционалния регулатор поставете времетраене на обработване (max. 99 min. 99 sec.).
- Натиснете бутона "Instant/start".

Колко пъти трябва да натиснете бутона "Power"	Показание на дисплея	Нивото на мощността
1	100P	Максимално
2	80P	Високо
3	60P	Средно
4	40P	Ниско
5	20P	Минимално

АВТОМАТИЧНО ПРИГОТВЯНЕ

- Нивото на мощността и време за приготвяне на някои продукти са поставени автоматически.
- С помощта на многофункционалния регулатор изберете подходящия режим.
- Натиснете бутона "Instant/start".

Показания на дисплея	Продукти, за които е настроен автоматичен режим	Програмирано време на приготвяне, мин.:сек.
A1	Пуканки (85 г)	2:30
A2	Пуканки(100 г)	2:40
A3	Пица	1:00
A4	Супа (250 мл)	2:20
A5	Супа (500 мл)	4:40
A6	Картофи (0,45 кг)	7:12
A7	Картофи (0,65 кг)	10:12
A8	Риба (0,45 кг)	6:30

РАЗМРАЗЯВАНЕ СПОРЕД ТЕГЛО

- С помощта на бутона "Defrost" изберете категория на продукта.
- С помощта на многофункционалния регулатор изберете тегло на продукта в грамове (изписва се върху дисплея).

Режим на размразяване	Продукт	Тегло на продукта
D1	месо	100 г...2 кг
D2	птиче месо	200 г...3 кг
D3	морски деликатеси	100 г...900

- Натиснете "Instant/start".
- Когато по време на приготвяне звучат звукови сигнали, трябва да обърнете продукта.

- РЕЖИМ ГРИЛ / КОМБИ
- Като натискате бутона "Grill/combi", изберете подходящия режим.
- С помощта на многофункционалния регулатор поставете време на приготвяне.
- Натиснете бутона "Instant/start".
- G-1 – 100%.
- Режим "COMBI 1" се препоръчва за приготвяне на риба, картофи: 30% от времето – микровълни, 70% - грил.
- Режим "COMBI 2" се препоръчва за приготвяне на омлети, запичане на картофи и птиче месо: 55% микровълни, 45% - грил.

ОТЛАГАНЕ НА ПРИГОТВЯНЕ

- Позволява да програмирате времето на начало на обработване.
- Като натискате бутона "Power" изберете режима на обработване.
- С помощта на многофункционалния регулатор поставете времетраене на обработване.
- Например, необходимо е да започнете приготвяне в "10:30".
- Натиснете бутона "Clock" и го придържайте в продължение на 3 секунди.
- С помощта на многофункционалния регулатор нагласете 10 часа.
- Натиснете бутона "Clock" още един път.
- С помощта на многофункционалния регулатор нагласете 30 минути.
- Натиснете бутона "Clock" един път за потвърждаване началото на приготвяне.
- В "10:30" печката ще се включи автоматически.
- За проверка на поставеното време натиснете и пуснете бутона "Clock".
- За да започнете работа по-рано от програмираното време, натиснете бутона "Instant/start".
- За отмяна на режима на програмиране натиснете бутона "Pause/Cancel".
- Ако ще сложите само началното време на приготвяне без да поставите текущо време, в нагласения срок печката няма да се включи, а само ще издаде няколко звукови сигнала.

ПОЕТАПНО ПРОГРАМИРАНО ПРИГОТВЯНЕ

- С помощта на бутона "Power" поставете нивото на мощността (в % от максимална).
- С помощта на многофункционалния регулатор поставете време на приготвяне.
- Като натискате бутона "Grill/combi" изберете подходящия режим.
- С помощта на многофункционалния регулатор поставете време на приготвяне.
- Натиснете бутона "Instant/start".

ЗАБЕЛЕЖКА: размразяване може да се включва само преди приготвяне.

АВТОМАТИЧНО НАПОМНЯНЕ

- След приключване на обработване през поредните 3 минути ще звучат звукови сигнали, докато няма да затворите вратичката и не натиснете бутона "Pause/Cancel".

БЛОКИРАНЕ

- Не позволява малки деца да включват печката без надзор от възрастен.
- За поставяне и отмяна на блокиране необходимо е да натискате и да придържате бутона "Pause/Cancel" в продължение на 3 секунди.
- След като сте сложили блокиране, върху дисплея ще се появи "OFF", и ще прозвучи звуков сигнал. Всичките бутони са блокирани.

ФУНКЦИЯ PAUSE/CANCEL ("СТОП/ОТМЯНА")

- Тази функция е предназначена за спиране на работата на печката или за отмяна на установките.
- Натиснете бутона "Pause/Cancel", за временно спиране на печката.
- Ако печката работи по програма, натиснете бутона "Pause/Cancel", за да отмените установките.

ЗАБЕЛЕЖКА: Времето за приготвяне може да се променя също в зависимост от форма, размери и положение на продуктите. Големи или дебели парчета се готвят по-дълго време, а дребни – по-бързо.

- Размразявайте продуктите без опаковка в плитка чиния или върху специална решетка за микровълнова печка, задължително с въртящата се стъклена чиния. Когато замразявате продуктите, придавайте им, по възможност, по-компактна форма.
- Похлупвайте продуктите със специални капаци или пластик, като отгъвате единия им ъгъл за излизане на излишна пара. Капаците много силно се нагряват – внимавайте при ваденето им.!
- Разстоянието между продуктите, например, зеленчуци, кексове и т.п. трябва да бъде не по-малко от 2,5 см, за да има равномерно обработване.
- Разбъркването е необходимо, защото по краищата си продуктите се затоплят повече.
- Слагайте продуктите само на един слой, по-дебели парчета да бъдат поместени към края.
- Прободете дебела кожа или обелка на продукта, той да не се напука.
- Затопляйте само готови или охладени продукти, като ги разбърквате.
- Пуканки – стриктно спазвайте инструкции на производителя и не оставяйте микровълновата печка без надзор. Ако продуктът още не е готов в нужното време, прекъснете приготвянето. Прекалено дълго обработване може да доведе до изгаряния.

ВНИМАНИЕ: Не ползвайте пликчета от кафява хартия за приготвяне на пуканки и не обработвайте остатъци от царевича. Не слагайте опаковката с пуканки непосредствено върху стъклената чиния, а върху допълнителна.

ВНИМАНИЕ: По време на процеса на приготвяне в микровълновата печка необходимо е да обръщате продуктите.

- След изтичането на поставеното време печката автоматически се изключва и ще звучи звуков сигнал.

ЗАБЕЛЕЖКА: При отворена вратичката печката няма да работи.

ПОЧИСТВАНЕ И ПОДДРЪЖКА

- Преди почистване изключете печката и извадете щепсела от контакта.
- Изчакайте печката да изстине напълно.
- Забършете панелата на управление, външните и вътрешните повърхности, стъклената чиния с влажен парцал и препарат.
- Не ползвайте агресивни вещества или драскащи материали.
- Ако искате да отстраните неприятна миризма, силете в някакъв дълбок съд, подходящ за микровълновите печки, чаша вода със сок на един лимон и го сложете вътре в печката. Поставете таймера на 5 минути, а превключателя на режими за работа в максимално положение. Когато ще прозвучи звуковия сигнал и печката ще се изключи, извадете съда и забършете вътрешните повърхности на камерата със сух парцал.

СЪХРАНЯВАНЕ

- Проверете печката да е изключена от контакта и да е изстинала напълно.
- Изпълнявайте всички изисквания от раздела "ПОЧИСТВАНЕ И ПОДДРЪЖКА".
- Съхранявайте печката с леко отворена вратичка на сухо и чисто място.

PL INSTRUKCJA OBSŁUGI ŚRODKI BEZPIECZEŃSTWA

- Nieprawidłowe użytkowanie może spowodować zepsucie wyrobu oraz wyrządzić szkodę użytkownikowi.
- Przed pierwszym uruchomieniem sprawdź, czy charakterystyki techniczne urządzenia podane na nalepce odpowiadają parametrom sieci elektrycznej.
- **UWAGA!** Wtyczka kabla zasilającego ma przewód i zestyk uziemiający. Podłączaj urządzenie wyłącznie do właściwych uziemionych gniazdek.
- Stosować tylko do użytku domowego zgodnie z niniejszą Instrukcją obsługi. Urządzenie nie jest przeznaczone do zastosowania przemysłowego.

- Nie użytkować poza pomieszczeniami.
 - Zawsze odłączaj urządzenie od sieci elektrycznej, jeśli nie korzystasz z niego oraz przed czyszczeniem.
- UWAGA!** Dzieci mogą posługiwać się kuchenką bez dozoru tylko w przypadku uzyskania odpowiednich i zrozumiałych im wskazówek co do bezpiecznego użytkowania kuchenki oraz zagrożeń powstających w przypadku niewłaściwego użytkowania.
- Nie pozostawiaj włączonego urządzenia bez opieki.
 - Nie używaj akcesoriów, nie dołączonych do kompletu dostawy.
 - Nie używaj urządzenia z uszkodzonym kablem zasilającym.
- UWAGA!** W przypadku uszkodzenia drzwiczek lub uszczelki drzwiczek nie wolno użytkować kuchenki do momentu usunięcia usterek przez wykwalifikowanego fachowca.
- UWAGA!** Aby uniknąć niebezpieczeństwa podwyższonego oddziaływania promieniowania mikrofalowego, wszystkie prace naprawcze związane z usunięciem dowolnych pokryw muszą wykonywać tylko fachowcy.
- Uważaj, żeby kabel nie dotykał ostrych krawędzi i gorących powierzchni.
 - Nie ciągnij, nie przekręcaj i nie nawijaj kabla zasilającego na urządzenie.
 - Używaj kuchenki mikrofalowej tylko do przyrządzenia produktów spożywczych. W żadnym wypadku nie używaj kuchenki do suszenia odzieży, papieru lub innych przedmiotów.
- UWAGA!** Aby uniknąć eksplozji, nie wolno podgrzewać płynów lub inne produktów w zamkniętych pojemnikach.
- Podczas podgrzewania napojów za pomocą mikrofal może występować burzliwe wrzenie, dlatego należy uważnie i ostrożnie posługiwać się tymi pojemnikami.
 - Żeby uniknąć pęknięcia przyrządzanych produktów, przed włożeniem do kuchenki należy nakłuć nożem lub widelcem skórkę lub twardą skorupę, na przykład, ziemniaków, jabłek, kasztanów, kiełbasek itp.
 - Podczas podgrzewania w kuchenke artykułów żywnościowych w pojemnikach z materiałów łatwopalnych takich jak tworzywo sztuczne lub papier, należy pilnować kuchenki, aby uniknąć zapalenia się.
 - Żeby uniknąć zapalenia się w piekarniku należy:
 - unikać przypalenia się produktów wskutek zbyt długotrwałego przyrządzenia;
 - wkładać produkty do kuchenki mikrofalowej bez opakowania, w tym bez folii;
 - w przypadku zapalenia się w komorze należy, nie otwierając drzwiczek, wyłączyć kuchenkę i odłączyć ją od sieci elektrycznej.
 - Nie włączaj pustej kuchenki. Nie wykorzystaj komory do przechowywania jakichkolwiek przedmiotów.
 - Kuchenka mikrofalowa nie jest przeznaczona do konserwowania produktów.
 - Nie umieszczaj produktów bezpośrednio na dnie komory, wykorzystuj ruszt zdejmowany lub podstawkę.
 - Zawsze sprawdzaj temperaturę przyrządzonej potrawy, w szczególności, jeśli przyrządzasz potrawę dla dzieci. Nie podawaj dania do stołu od razu po przyrządzeniu, niech ono trochę się schłodzi.
 - Przestrzegaj przepisów przyrządzenia potraw, lecz pamiętaj, że niektóre produkty (dżemy, puddingi, nadzienie ciast z migdałów, cukru lub cykat) nagrzewają się bardzo szybko.
 - Żeby uniknąć zwarcia i zepsucia kuchenki, nie dopuszczaj przedostania się wody do otworów wentylacyjnych.

UWAGA:

- Produkty należy gotować w specjalnych naczyniach, a nie umieszczać bezpośrednio na talerzu szklanym, z wyjątkiem przypadków zastrzeżonych w przepisie kulinarnym.
- Używaj tylko tych naczyń, które nadają się do stosowania w kuchenke mikrofalowej.
- Naczynia nadające się do użycia w kuchenkach mikrofalowych należy wykorzystywać ściśle zgodnie ze wskazówkami producenta naczyń.
- Pamiętaj, że w mikrofalówce żywność grzeje się o wiele szybciej, niż naczynia, dlatego wyjmując naczynia z kuchenki zachowuj szczególną ostrożność, żeby uniknąć oparzenia parą.
- Przed włożeniem do mikrofalówki usuń z produktów lub opakowania taśmy metalowe i folię.

W mikrofalówce nie wolno gotować nie rozbitych jaj.

NACZYNIA DO KUCHENKI MIKROFALOWEJ

UWAGA! Przestrzegaj wskazówek umieszczonych na naczyniach oraz instrukcji producenta.

NADAJE SIĘ

- **Szkló żaroodporne** – najlepszy materiał naczyń do użycia w kuchenke mikrofalowej.
- **Plastyk żaroodporny** – w takim naczyniu nie należy gotować jedzenie o dużej zawartości tłuszczu lub cukru. Nie wolno używać ściśle zamkniętych pojemników.
- **Fajans i porcelana** – nadaje się do użycia w mikrofalówce, z wyjątkiem naczyń pokrytych złotem lub srebrem lub posiadających zdobienia metalowe.
- **Specjalne opakowanie** (papierowe, plastikowe i in.) przeznaczone do kuchenek mikrofalowych – ściśle przestrzegać wskazówek producenta.

NIE NADAJE SIĘ

- **Folia do przechowywania produktów oraz worki polietylenowe odporne na działanie ciepła** – nie nadają się do smażenia mięsa i dowolnych innych produktów.
- **Naczynia metalowe (z aluminium i ze stali nierdzewnej i in.) oraz folia spożywcza*** - od nich fale odbijają się; w przypadku kontaktu ze ściankami piekarnika mogą spowodować iskrzenie i zwarcie w trakcie gotowania.
- *Można stosować do przykrycia w jedną warstwę oddzielnych części żywności, żeby uniknąć przegrzania i przypalenia się. Nie dopuszczaj kontaktu ze ściankami, odległość do ścianek musi wynosić nie mniej niż 2 cm.
- **Topliwe tworzywa sztuczne** – nie nadają się do użycia w kuchenke mikrofalowej.
- **Naczynia lakierowane** – wskutek oddziaływania mikrofal lakier może się roztopić.
- **Szkló zwykłe (w tym kształtowe i grube)** – wskutek oddziaływania wysokich temperatur może ulec odkształceniu.
- **Papier, słoma, drewno** – wskutek oddziaływania wysokich temperatur mogą się zapalić.
- **Naczynia melaminowe** – mogą pochłaniać mikrofałe, co powoduje pęknięcie mechaniczne i istotnie zwiększa czas przyrządzenia.

JAK USTALIĆ, CZY NADAJE SIĘ NACZYNIEM DO PRZYRZĄDZENIA POTRAW W MIKROFALÓWCE?

- Włącz mikrofalówkę i ustaw przełącznik warunków pracy na maksymalną moc, umieść testowane naczynia w kuchenke razem z szklanką wody (~250 ml) na 1 min.
- Naczynia, które się nadaje do przyrządzenia potraw w mikrofalówce, będą o tej samej temperaturze, co i przed włożeniem do kuchenki, natomiast woda się nagrzeje.

POZYTECZNE RADY

- W celu równomiernego nagrzewania należy obracać żywność w czasie przyrządzenia.
- Nie używaj naczyń z wąską szyjką, butelek, ponieważ mogą one eksplodować.
- Nie używaj termometrów do pomiaru temperatury produktów. Używaj tylko specjalnych termometrów przeznaczonych do użycia w mikrofalówkach.

ZANIM ZWRÓCISZ SIĘ DO SERWISU

- Jeśli kuchenka nie włącza się, sprawdź:
 - Sprawność gniazdka i występowanie napięcia w sieci elektrycznej;
 - Prawdliwość nastawienia zegara;
 - Szczelność zamknięcia drzwiczek.

ZAKŁÓCENIA ODBIORU RADIOWEGO

- Mikrofałe powodują zakłócenia odbioru telewizyjnego lub radiowego.
- Żeby eliminować zakłócenia:
 - Regularnie czyść drzwiczki i uszczelki metalowe;
 - Umieszczaj odbiornik telewizyjny lub radiowy w jak największej odległości od kuchenki mikrofalowej;

- Obróć antenę w celu lepszego odbioru sygnału.
- Podłącz mikrofalówkę i odbiornik do różnych linii sieci elektrycznej.

INSTALACJA

- Upewnij się, że w kuchence nie ma materiałów opakunkowych i obcych przedmiotów.
- Sprawdź, czy w czasie transportu nie zostały uszkodzone:
 - rzwiczki i uszczelki metalowe;
 - budowa i wziernik;
 - cianki komory.
- W przypadku ujawnienia jakichkolwiek usterek, nie włączaj kuchenki i zwróć się do sprzedawcy lub do serwisu.
- Ustaw kuchenkę elektryczną na równej poziomej powierzchni, trwałej na tyle, żeby wytrzymać ciężar kuchenki z produktami i naczyniami.
- Nie umieszczaj kuchenki mikrofalowej w pobliżu źródeł ciepła.
- Nie umieszczaj na kuchence żadnych przedmiotów. Niczym nie przykrywaj otworów wentylacyjnych.
- W celu normalnej pracy kuchenki należy zapewnić wolną przestrzeń wentylacyjną nie mniej niż: 20 cm od góry, 10 cm ze strony tylnego panelu oraz nie mniej niż 5 cm ze stron bocznych.

ZASADY GOTOWANIA W KUCHENCIE MIKROFALOWEJ

- Produkty należy kłaść grubszą stroną bliżej brzegów talerza.
- Przestrzegaj czasu przyrządzenia, nastawiaj go na minimum, stopniowo zwiększając w miarę konieczności. W przypadku zbyt długiego przyrządzenia produkty mogą się zadymić i zapalić.
- Przykrywaj produkty – zapewni to bardziej równomierne nagrzanie i zapobiegnie rozpryskiwaniu.
- W celu bardziej równomiernego nagrzania i przyspieszenia gotowania obracaj i mieszaj produkty.
- Okrągłe/owalne talerze w odróżnieniu od kwadratowych/prostokątnych również zapewniają bardziej równomierne nagrzanie.

PRACA

- Podłącz kuchenkę do sieci elektrycznej.
- Włóż produkty do kuchenki i zamknij drzwiczki.
- Po ustawieniu czasu przyrządzenia (oraz po jego upływie), po naciśnięciu przycisku "Instant/start" włączają się wewnętrzne oświetlenie komory i system wentylacji.
- Po upływie ustawionego czasu obróbki na wyświetlaczu ukazuje się komunikat "End" i co 3 minuty rozlega się seria sygnałów dźwiękowych, póki nie będą otwarte drzwiczki lub naciśnięty dowolny przycisk.

PRZERWANIE GOTOWANIA

- Funkcja ta służy do kontroli stopnia gotowości produktu.
- Obróbkę można przerwać, otwierając drzwiczki. Po przykryciu drzwiczek i naciśnięciu przycisku "Instant/start", proces będzie kontynuowany.
- Jeśli chcesz przerwać obróbkę, naciśnij przycisk "Pause/Cancel".

WIELOFUNKCYJNY REGULATOR

- Służy do nastawienia bieżącego czasu, wyboru trybu i czasu obróbki.

USTAWIENI BIEŻĄCEGO CZASU

- Przy podłączeniu kuchenki do sieci elektrycznej wyświetlacz migota i pokazuje «88:88», za 3 sekundy wyświetla się «-:-», wtedy można nastawiać czas bieżący.
- Zegar działa w formacie 24-godzinowym.
- Naciśnij przycisk "Clock" (CZAS).
- Naciśnij wielofunkcyjny regulator, nastaw bieżącą godzinę.
- Naciśnij przycisk "Clock" jeszcze raz.
- Naciśnij wielofunkcyjny regulator, nastaw bieżącą minutę.
- W celu potwierdzenia ustawień, naciśnij przycisk "Clock".

POZIOMY MOCY

- Naciśnij przycisk "Pause/Cancel".
- Na podstawie tabeli, naciskając przycisk "Power", ustaw właściwą moc. Po każdym kolejnym naciśnięciu na wyświetlaczu będzie pokazywana moc wyjściowa w % od maksymalnej mocy: **100P→80P→60P→40P→20P**.
- Za pomocą wielofunkcyjnego regulatora ustaw czas trwania obróbki (max. 99 min. 99 sec.).
- Naciśnij przycisk "Instant/start".

Ile razy należy nacisnąć przycisk "Power"	Wskazania wyświetlacza	Poziom mocy
1	100P	Maksymalna
2	80P	Wysoka
3	60P	średnia
4	40P	niska
5	20P	minimalna

AUTOMATYCZNE PRZYRZĄDZANIE

- Poziom mocy i czas przyrządzenia niektórych produktów ustawia się automatycznie.
- Naciśnij wielofunkcyjny regulator, wybierz właściwy tryb.
- Naciśnij przycisk "Instant/start".

Wskazania wyświetlacza	Produkty, dla których jest ustawiony automatyczny tryb	Zaprogramowany czas przyrządzenia, min.:sek.
A1	Popcorn (85 g)	2:30
A2	Popcorn (100 g)	2:40
A3	Pizza	1:00
A4	Zupy (250 ml)	2:20
A5	Zupy (500 ml)	4:40
A6	Ziemniaki (0,45 kg)	7:12
A7	Ziemniaki (0,65 kg)	10:12
A8	Ryby (0,45 kg)	6:30

ROZMRAŻANIE WEDŁUG WAGI

- Za pomocą przycisku "Defrost" wybierz kategorię produktu.
- Za pomocą wielofunkcyjnego regulatora wybierz wagę produktu w gramach (wyświetla się na wyświetlaczu).

Tryb rozmrażania	Produkt	Waga produktu
D1	mięso	100 g...2 kg
D2	drób	200 g...3 kg
D3	owoce morza	100 g...900 g

- Naciśnij "Instant/start".
- Kiedy w czasie obróbki rozlegną się sygnały dźwiękowe, należy obrócić produkty.

TRYB GRILL/ KOMBI

- Naciskając przycisk "Grill/combi", wybierz właściwy tryb.
- Za pomocą wielofunkcyjnego regulatora ustaw czas przyrządzenia.
- Naciśnij przycisk "Instant/start".
- G-1 – 100%.
- Tryb "COMBI 1" zaleca się do przyrządzenia ryb, ziemniaków: 30% czasu – mikrofałe, 70% - grill.
- Tryb "COMBI 2" zaleca się do przyrządzenia omletów, zapiekania ziemniaków i drobiu: 55% mikrofałe, 45% - grill.

OPOŹNIONE PRZYRZĄDZENIE

- Umożliwia zaprogramowanie czasu początku obróbki.
- Naciskając przycisk "Power" wybierz tryb obróbki.
- Za pomocą wielofunkcyjnego regulatora ustaw czas trwania obróbki.
- Na przykład, należy zacząć przyrządzenie o "10:30".
- Naciśnij przycisk "Clock" i utrzyj go w ciągu 3 sekund.
- Za pomocą wielofunkcyjnego regulatora ustaw godzinę 10.
- Naciśnij przycisk "Clock" jeszcze jeden raz.
- Za pomocą wielofunkcyjnego regulatora ustaw 30 minut.
- Naciśnij przycisk "Clock" jeden raz w celu potwierdzenia czasu początku przyrządzenia.
- O godzinie "10:30" kuchenka automatycznie się włączy.
- Żeby przejść nastawiony czas, naciśnij i zwolnij przycisk "Clock".
- Żeby zacząć pracę wcześniej niż zaprogramowano, naciśnij przycisk "Instant/start".
- Żeby skasować tryb programowania, naciśnij przycisk "Pause/Cancel".
- Jeśli ustawi się godzinę rozpoczęcia przyrządzenia bez poprzedniego ustawienia bieżącej godziny, w odpowiednim czasie kuchenka się nie włączy, lecz wyda serię sygnałów dźwiękowych.

ZAPROGRAMOWANE GOTOWANIE WIELOETAPOWE

- Za pomocą przycisku "Power" ustaw poziom mocy (w % od maksymalnego).
- Za pomocą wielofunkcyjnego regulatora ustaw czas przyrządzenia.
- Naciskając przycisk "Grill/combi" wybierz właściwy tryb.
- Za pomocą wielofunkcyjnego regulatora ustaw czas przyrządzenia.
- Naciśnij przycisk "Instant/start".

UWAGA: tryb rozmrażania można włączyć wyłącznie przed przyrządzeniem.

AUTOMATYCZNE PRZYPOMINANIE

- Po skończeniu obróbki co 3 minuty będą rozlegały się sygnały dźwiękowe, póki nie będą otwarte drzwiczki lub naciśnięty przycisk "Pause/Cancel".

BLOKADA

- Nie pozwalaj małoletnim dzieciom włączać kuchenkę bez kontroli dorosłych.
- W celu włączenia i wyłączenia blokady należy nacisnąć i utrzymywać w ciągu 3ch sekund przycisk "Pause/Cancel".
- Po ustawieniu blokady na wyświetlaczu ukaże się "OFF", i rozlegnie się sygnał dźwiękowy. Wszystkie przyciski są zablokowane.

FUNKCJA PAUSE/CANCEL ("STOP/REZYGNACJA")

- Funkcja ta służy do przerwania pracy kuchenki lub skasowania ustawień.
- Naciśnij przycisk "Pause/Cancel", żeby przerwać pracę kuchenki.
- Jeśli kuchenka działa zgodnie z programem, naciśnij przycisk "Pause/Cancel", żeby wykasować ustawienia.

UWAGA: czas przyrządzenia może się zmieniać w zależności od kształtu, rozmiarów i umieszczenia produktów. Duże lub grube kawałki gotują się dłużej, natomiast drobne – szybciej.

- Produkty należy rozmrażać bez opakowania, w niegłębokiej podstawie lub na ruszcie do obróbki mikrofalowej, koniecznie używając talerza obrotowego. Zamrażając produkty, należy nadawać im w miarę możliwości poręczny kształt.
- Przykrywaj produkty specjalnymi pokrywkami lub plastykiem, uchylając jeden z rogów w celu wydostania się zbytej pary. Pokrywki bardzo się grzeją – należy posługiwać nimi bardzo ostrożnie!
- Odległość między produktami, na przykład, warzywami, keksami itp. musi wynosić nie mniej niż 2,5 cm w celu zapewnienia równomiernej obróbki.
- Należy koniecznie mieszać produkty, ponieważ przy brzegach naczyń produkty bardziej się grzeją.
- Należy układać produkty w jedną warstwę, grubsze kawałki należy kłaść bliżej brzegów.
- Należy nakłuć grubą skórkę lub skorupę, żeby uniknąć pęknięcia produktu.
- Rozgrzewaj tylko gotowe i schłodzone produkty, mieszając je.
- Popcorn – należy ściśle przestrzegać wskazówek producenta i nie pozostawiać mikrofalówki bez opieki. Jeśli produkt nie jest gotowy po upływie właściwego czasu, należy przerwać gotowanie. Zbyt długa obróbka może spowodować zapalenie się.

OSTRZEŻENIE: Nie wolno używać worków z brązowego papieru w celu przyrządzenia popcornu oraz wykorzystywać resztek ziaren. Nie wolno umieszczać opakowania z popcornem bezpośrednio na półmisku szklanym, należy kłaść go na talerz.

UWAGA: w trakcie przyrządzenia w kuchenke mikrofalowej należy obracać produkty.

- Po upływie ustawionego czasu kuchenka automatycznie się wyłączy i rozlegnie się sygnał dźwiękowy.

UWAGA: JEŚLI DRZWICZKI SĄ OTWARTE, KUCHENKA NIE BĘDZIE DZIAŁAĆ.

ZYSZCZENIE I OBSŁUGA

- Przed czyszczeniem wyłącz mikrofalówkę i odłącz ją od sieci elektrycznej.
- Kuchenka musi całkowicie się schłodzić.
- Przetrzyj panel sterujący, powierzchnie zewnętrzne i wewnętrzne, półmiskę szklaną za pomocą wilgotnej szmatki z dodatkiem środka myjącego.
- Nie wolno używać substancji agresywnych lub materiałów ściernych.
- Żeby usunąć nieprzyjemny zapach, wlej do głębokiego naczynia nadającego do użycia w kuchenke mikrofalowej szklaną wodę z sokiem z jednej cytryny i umieść w kuchenke. Nastaw zegar na 5 minut, przełącznik warunków roboczych przestaw w maksymalną pozycję. Kiedy rozlegnie się sygnał dźwiękowy i kuchenka się wyłączy, wyciągnij naczynie i przetrzyj ścianki komory za pomocą suchej szmatki.

PRZECHOWYWANIE

- Przekonaj się, że kuchenka została odłączona od sieci elektrycznej i całkowicie się schłodziła.
- Wykonaj wszystkie wymagania rozdziału „CZYSZCZENIE I OBSŁUGA”.
- Przechowuj kuchenkę z uchylonymi drzwiczkami w suchym czystym miejscu.

RO MANUAL DE UTILIZARE

DE SIGURANȚĂ

- O utilizare incorectă a aparatului poate cauza apariția defectelor precum și accidentarea utilizatorului.
- Înainte de a pune aparatul în funcțiune pentru prima dată, verificați dacă datele tehnice ale aparatului menționate pe eticheta corespund cu parametrii sursei de curent electric.

ATENȚIUNE! Ștecherul cordonului de alimentare este prevăzut cu fir și contact de împământare. Conectați aparatul numai la prizele ce au o împământare corespunzătoare.

- Folosiți-l numai în scopuri casnice în conformitate cu indicațiile din Manualul de utilizare. Aparatul nu este destinat pentru uzul industrial.
- Nu este destinat pentru uz exterior.
- Intotdeauna deconectați aparatul de la sursa de curent înainte de operatiunea de curățire, sau dacă nu-l mai folosiți.

ATENȚIE! Folosirea nesupravegheată a cuptorului de către copii se poate face doar în cazul când aceștia au primit instrucțiunile corespunzătoare și care au fost înțelese de către ei privitor la folosirea în siguranță și posibilele pericole care pot apărea la folosirea incorectă a cuptorului.

- Nu puneți în funcțiune aparatul fără să-l verificați înainte.
- Nu folosiți alte piese ce nu intră în componența setului de livrare.
- Nu folosiți aparatul dacă este defect sau dacă are cablul de alimentare defect.

ATENȚIE! Atunci când ușița sau garniturile de etanșare sunt defecte, nu trebuie să folosiți cuptorul până când acesta nu va fi reparat de către un specialist calificat.

ATENȚIE! Pentru a evita pericolul de emisii de radiații, toate lucrările de reparație, aflate în legătură cu schimbarea capacelor, trebuie efectuate doar de către un specialist.

- Verificați dacă cablul de alimentare nu intră în contact cu margini ascuțite și suprafețe fierbinți.
- Nu trageți de cablul de alimentare, nu-l răsușiți și nu-l înfășurați în jurul aparatului.
- Folosiți cuptorul cu microunde numai la prepararea produselor alimentare. Este interzis folosirea lui la uscarea articolelor de îmbrăcăminte, hârtiei, sau a altor obiecte.

ATENȚIE! Lichidele sau alte produse nu trebuie să fie încălzite în vase închise pentru a evita explozia acestora.

- La încălzirea băuturilor cu ajutorul cuptorului cu microunde, acestea pot fierbe și ulterior după fierbere, de aceea este necesar să fiți atenți și să luați cu grijă vasele.
- Pentru ca produsele să nu plesnească în timpul preparării, înainte de a le pune în cuptor întepati cu cuțitul sau cu furculița coaja sau pielea, de exemplu pentru cartofii, mere, castane, cărnați, etc.
- La încălzirea produselor alimentare cu ajutorul cuptorului în vase din materiale ușor inflamabile, cum ar fi plasticul sau hârtia, este necesar să supravegheați cuptorul, pentru a evita inflamarea.
- Pentru evitarea unui incendiu în compartimentul de aerisire al cuptorului sunt necesare următoarele:
 - evitați arderea produselor ca rezultat al unei preparării mai îndelungate;
 - puneți produsele în cuptorul cu microunde fără a fi acoperite - spre exemplu cu o folie;
 - în cazul aprinderii compartimentului, nu deschideți ușa, opriți cuptorul și deconectați-l de la sursa de curent electric.
- Nu folosiți cuptorul fără produse în el. Nu folosiți camera cuptorului pentru depozitarea unor obiecte.
- Cuptorul cu microunde nu este destinat păstrării produselor.
- Nu așezați produsele direct pe fundul camerei cuptorului, folosiți grătarul detașabil sau tava.
- Întotdeauna verificați temperatura preparatului gătit mai ales atunci când acesta este destinat copiilor. Nu așezați vasul direct pe masă imediat după ce l-ați scos din cuptor, lăsați-l puțin să se răcească.
- Urmați instrucțiunile rețetelor la preparare și nu uitați că unele produse (gemuri, budinci, umpluturi pentru prăjituri din migdale, zahăr sau fructe zaharisite) se încălzesc foarte repede.
- Pentru a evita scurt circuitul și defectarea cuptorului, nu lăsați să cadă apă în orificiul de ventilație.

ATENȚIUNE:

- Produsele trebuie preparate în vase speciale, și nu direct pe vasul de sticlă, cu excepția cazurilor când sunt indicații speciale de pregătire a felului de mâncare.
- Folosiți numai vase ce sunt destinate pentru cuptorul cu microunde.
- Este recomandat pentru prepararea în cuptorul cu microunde să se folosească vasele în conformitate cu indicațiile de preparare a felurilor de mâncare.
- Nu uitați că în cuptorul cu microunde compoziția se încălzește mai puternic decât vasul, astfel fiți foarte atenți la scoaterea vasului din cuptor, deschideți ușița complet pentru a vă feri de a fi ars de aburul fierbinte.
- În prealabil, îndepărtați de pe produse ambalajele din bandă metalică și folia.
- **In cuptorul cu microunde nu se prepara niciodată ouă întregi.**

VASE PENTRU CUPTORUL CU MICROUND

ATENȚIE! Ghidați-vă după marcatul de pe vas și după instrucțiunile fabricantului.

RECOMANDABIL

- **Sticlă termo-rezistentă** – cel mai bun material de vase pentru preparare în cuptorul cu microunde.
- **Plastic termo-rezistent** – într-un astfel de vas nu trebuie să se pregătească feluri de mâncare cu o compoziție mare de ulei sau zahăr. Nu folosiți niciodată recipiente ce sunt complet închise.
- **Faianță -porțelan** – sunt pentru prepararea în cuptorul cu microunde, cu excepția vaselor aurite, argintate sau cu decorațiuni cu elemente metalice.
- **Învelitoare specială** (de hârtie, plastic și altele.), destinată pentru cuptorul cu microunde – respectați cu strictețe indicațiile fabricantului.

NERECOMANDABIL

- **Folie pentru păstrarea alimentelor, și deasemenea pachete de poliester termo-rezistente** – nu sunt recomandabile la prăjirea cărnii și a oricarui alt produs.
- **Vasul din metal (din aluminiu oțel inoxidabil și altele.) și folia pentru alimente*** - ecranează microundele; la contactul cu pereții compartimentului de preparare se pot produce scântei și scurt circuit în timpul procesului de preparare.
- *Este posibil să se folosească întoarcerea o singură dată a părților separate ale produsului în vederea evitării supraîncălzirii și a arderii. Nu este permis contactul cu pereții, distanța până la ei nu trebuie să fie mai mică de 2 cm.
- **Plasticuri ce se topesc** – nu sunt folosite pentru prepararea în cuptorul cu microunde.
- **Vas lustruit** – sub acțiunea microundelor, lacul se poate topi.
- **Sticlă normală (spre exemplu decorativă și groasă)** – sub acțiunea temperaturilor ridicate se poate deforma.
- **Hârtie, paie, lemn** – sub acțiunea temperaturilor ridicate se pot topi.
- **Vas din melamină** – poate absorbi emiterea de microunde producând astfel spargerea sau topirea lui și ceea ce este esențial mărește timpul de preparare.

CUM STABILIȚI DACĂ UN VAS ESTE PENTRU CUPTORUL CU MICROUND, ?

- Porniți cuptorul și fixați comutatorul pentru regimurile de funcționare la puterea maximă (temperatura maximă), așezați în cuptor timp de 1 minut vasul pentru testare și lângă el un pahar-cană cu apă (~ 250 ml).
- Vasul recomandat pentru prepararea mâncărilor în cuptorul cu microunde rămâne la aceeași temperatură ca cea din înainte de a fi așezat în cuptor în timp ce apa fierbe.

SFATURI PRACTICE

- Pentru o încălzire uniformă a produselor întoarceți-le în timpul preparării.
- Nu folosiți vase cu gât subțire, sticle pentru că pot exploda.
- Nu folosiți termometre pentru măsurarea temperaturii produselor. Folosiți numai termometre speciale destinate pentru cuptoarele cu microunde.

ÎNAINTE DE A VĂ ADRESA CENTRULUI DE SERVICE

- Dacă cuptorul nu funcționează verificați:
 - Funcționalitatea prizei și prezența tensiunii în rețeaua de curent
 - Corectitudinea stabilirii temporizatorului –timerului;
 - Dacă ușița este bine închisă.

PERTURBAȚII RADIO

- Microundele pot provoca perturbații aparatelor de televiziune și de radio.
- Pentru a minimaliza perturbațiile:
 - curățiți permanent ușița și condensatorii metalici;
 - așezați televizorul și aparatul de radio cât mai departe de cuptorul cu microunde;

- reorientați antena aparatului pentru obținerea celui mai bun rezultat ;
- conectați cuptorul cu microunde și aparatul la linii diferite de alimentare cu curent.

MONTAREA

- Asigurați-vă că în interiorul cuptorului nu mai sunt materiale de împachetat și obiecte rămase.
- Verificați dacă există defecte apărute în urma transportului:
 - Ușa și condensatorii metalici;
 - Corpul și vizorul;
 - Pereții camerei.
- Dacă un defect a fost depistat, nu puneți în funcțiune cuptorul, adresați-vă vânzătorului sau centrului de reparații.
- Așezați cuptorul cu microunde pe o suprafață netedă orizontală, foarte stabilă astfel încât să poată menține greutatea cuptorului cu produse și vas.
- Nu așezați cuptorul în apropierea surselor de căldură.
- Nu așezați nimic pe cuptor. Nu acoperiți orificiul de ventilație.
- Pentru o funcționare normală a cuptorului trebuie să asigurați un spațiu liber pentru ventilație nu mai mic de 20 cm în partea de sus, 10 cm din partea din spate a panoului și nu mai puțin de 5 cm de la părțile laterale.

EXEMPLE DE PREPARARE ÎN CUPTORUL CU MICROUND

- Așezați produsele cu părțile cele mai groase mai aproape de marginile vasului
- Urmăriți ca timpul de preparare să fie, la început minim, treptat mărindu-se în funcție de necesități. La o preparare mai îndelungată produsele se pot arde și poate produce fum.
- Acoperiți produsele- acest lucru asigură o preparare uniformă și se evită improșcarea cu stropi.
- Pentru o preparare uniformă și accelerarea preparării rotiți și mișcați din loc produsele.
- Vasele rotunde-ovale cu excepția celor dreptunghiulare-pătrate asigură o preparare uniformă.

FUNCȚIONARE

- Conectați cuptorul la rețeaua electrică.
- Introduceți produsele în cuptor și închideți ușa.
- După stabilirea timpului de preparare (și cât mai este pînă la terminarea lui) după apăsarea butonului "Instant/start" se aprinde iluminarea interioară a camerei și începe să funcționeze sistemul de ventilație.
- În momentul terminării procesului de preparare pe display apare indicația "End" și timp de 3 minute se produc semnale sonore până când se deschide ușa sau se apasă butonul respectiv.

ÎNTĂRZIAREA PREPARĂRII

- Funcția dată este necesară pentru verificarea gradului de preparare a produsului.
- Se poate întrerupe prepararea prin simpla deschidere a ușii. Dacă este închisă și apăsați "Instant/start", procesul de preparare se va continua.
- În cazul când prepararea trebuie să fie întreruptă, apăsați butonul "Pause/Cancel".

REGULATORUL MULTIFUNCȚIONAL

- Este destinat pentru a stabili timpului de funcționare, alegerea regimului și timpul de preparare.

STABILIREA TIMPULUI

- La conectarea cuptorului la sursa electrică afișajul cu cifre începe să pâlpâie și indică «88:88», după 3 secunde se va indica «-:-», după care se poate seta timpul.
- Ceasul funcționează în regim de 24-în formă de ceas.
- Apăsați butonul "Clock" (TIMP).
- Prin apăsați regulatorului multifuncțional, stabiliți timpul real al ceasului.
- apăsați butonul "Clock" încă o dată.
- Prin apăsați regulatorului multifuncțional, stabiliți minutele.
- Pentru confirmarea setărilor apăsați butonul "Clock" 5 s.

NIVELE DE PUTERE

- Apăsați butonul "Pause/Cancel".
- Urmând indicațiile din tabel, stabiliți puterea, apăsând butonul "Power", setați puterea necesară. La fiecare apăsare afișajul va indica puterea existentă în % de la nivelul maxim: **100P→80P→60P→40P→20P**.
- Prin regulatorul multifuncțional stabiliți durata preparării (max. 99 min. 99 sec.).
- Apăsați butonul "Instant/start".

De câte ori apăsați butonul "Power"	Indicația de pe display	Nivelul de putere
1	100P	Maxim
2	80P	Mare
3	60P	Mediu
4	40P	Mic
5	20P	Minim

PREPARAREA AUTOMATĂ

- Nivelul de putere și timpul de preparare pentru unele produse se stabilește automat.
- Răsuciți regulatorul multifuncțional, alegeți regimul adecvat.
- Apăsați butonul "Instant/start".

Indicația de pe display	Produsele pentru care există un regim automat de preparare	Timpul de programare a preparării, min:sec
A1	Floricele de porumb (85 g)	2:30
A2	Floricele de porumb (100 g)	2:40
A3	Pasăre	1:00
A4	Supe (250 ml)	2:20
A5	Supe (500 ml)	4:40
A6	Cartofi (0,45 kg)	7:12
A7	Cartofi (0,65 kg)	10:12
A8	Pește (0,45 kg)	6:30

DECONGELAREA ÎN FUNCȚIE DE GREUTATE

- Cu ajutorul butonului "Defrost" alegeți categoria din care face parte produsul.
- Cu ajutorul selectorului multifuncțional alegeți greutatea produsului în grame (reprezentate pe afișaj)

Regimul de decongelare	Produs	Greutatea produsului
D1	carne	100 g...2 kg
D2	carne de pasăre	200 g...3 kg
D3	produse pișcicole	100 g...900 g

- Apăsați butonul "Instant/start".
- Dacă timpul de preparare s-a scurs se vor produce semnale sonore ce indică necesitatea întoarcerii produsului.

REGIMUL GRĂȚAR / COMBI

- Apăsăți butonul "Grill/combi", alegeți regimul adecvat.
- Regulatorul multifuncțional va stabili timpul de preparare.
- Apăsăți butonul "Instant/start".
- G-1 – 100%.
- Regimul "COMBI 1" se recomandă pentru prepararea peștelui, a cartofilor: 30% timp – microunde, 70% - grătar.
- Regimul "COMBI 2" se recomandă pentru prepararea omletei, cartofilor copti si a cărnii de pasăre: 55% microunde, 45% - grătar.

AMÂNAREA ÎNCEPERII PREPARĂRII

- Trebuie să reprogramați timpul de începere al preparării.
- Apăsând butonul "Power" selectați regimul de gătire.
- Cu ajutorul selectorului multifuncțional alegeți timpul de gătire.
- De exemplu, trebuie să începeți prepararea la "10:30".
- Apăsăți butonul "Clock" și mențineți-l apăsat timp de 3 secunde.
- Regulatorul multifuncțional fixați-l la ora 10.
- Apăsăți butonul "Clock" încă o dată.
- Regulatorul multifuncțional fixați-l la 30 minute.
- Apăsăți butonul "Clock" o dată pentru confirmarea timpului de începere a preparare.
- La ora "10:30" cuptorul se deschide automat.
- Pentru a verifica timpul dat apăsați și dați drumul butonului "Clock".
- Pentru a începe prepararea mai devreme decât timpul programat anterior apăsați butonul "Instant/start".
- Pentru schimbarea regimului programat apăsați butonul "Pause/Cancel".
- Dacă veți stabili timpul de gătire, dar nu veți stabili și ora curentă, cuptorul nu va începe să funcționeze la timpul stabilit, ci va emite o serie de semnale sonore.

PROGRAM DE GĂTIRE ÎN TREPTE

- Cu ajutorul butonului "Power" stabiliți nivelul de putere (în % de la cel maxim).
- Regulatorul multifuncțional va stabili timpul de preparare.
- Apăsăți butonul "Grill/combi", alegeți regimul adecvat.
- Regulatorul multifuncțional va stabili timpul de preparare.
- Apăsăți butonul "Instant/start".

NOTĂ: stadiul de decongelare poate fi introdus numai înainte de preparare.

SEMNALARE AUTOMATĂ

- Când s-a încheiat procesul de preparare la fiecare 3 min se va produce un semnal sonor până când se va deschide ușița sau se va apăsa butonul "Pause/Cancel".

BLOCARE

- Nu lăsați copii să deschidă cuptorul fără a fi supravegheați de către persoane adulte.
- Pentru fixarea și întreruperea blocării trebuie să apăsați și să mențineți apăsat 3 sec butonul "Pause/Cancel".
- După fixarea blocării cuptorului pe display apare indicația "OFF" și se produce un semnal sonor. Toate butoanele sunt blocate.

FUNCȚIA PAUSE/CANCEL (STOP/DEZACTIVAT)

- Această funcție este pentru setarea funcționării cuptorului sau pentru schimbarea setarilor.
- Apăsăți butonul "Pause/Cancel", pentru a pre-seta funcționarea cuptorului.
- Dacă cuptorul funcționează cu program apăsați butonul "Pause/Cancel", pentru a schimba setarea.

NOTĂ: Timpul de preparare poate fi schimbat în funcție de forma, dimensiunea și disponerea produselor. Bucățile mari, groase necesită un timp de preparare mai mare iar cele mici mai mic.

- Decongețați produsele fără ambalaj într-un vas nu prea adânc sau pe grătar pentru prepararea la microunde, trebuie să folosiți vasul de sticlă rotitor. Congelând produsele le conferiți o formă compactă.
- Acoperiți produsele cu capace speciale sau plastic lasând unul dintre colțuri liber pentru a permite evacuarea aburului. Capacele se înfierbântă foarte tare-vă rugăm să fiți atenți cu ele!
- Distanța dintre produse, de exemplu, legume, checuri și altele trebuie să fie nu mai mică de 2,5 cm pentru a permite o preparare uniformă.
- Amestecarea este necesară deoarece la fundul vasului produsele se înfierbântă foarte tare.
- Așezați produsele numai într-un singur strat, cele mai groase bucăți așezați-le mai aproape de margini.
- Întepați coaja sau pielea pentru ca produsul să nu plesnescă.
- Încălziți numai produse preparate și reci, amestecându-le.
- Floricele de porumb – urmați întocmai instrucțiunile de preparare și nu lăsați cuptorul cu microunde nesupravegheat. Dacă produsul nu este gata la timpul respectiv întrerupeți prepararea. O durată mai mare de preparare poate duce la arderea produsului.

ATENȚIUNE: Nu folosiți pachete din hârtie pentru prepararea Floricelelor de porumb și nu încercați să folosiți resturi de boabe. Nu așezați pachetul-ambalajul cu floricele de porumb direct pe vasul de sticlă, așezați-l pe o farfurie.

ATENȚIE: În timpul procesului de preparare în cuptorul cu microunde produsele trebuie să întoarse.

- În momentul terminării timpului stabilit, cuptorul se închide automat și emite un semnal sonor.

NOTĂ: La deschiderea ușiței, cuptorul nu trebuie să funcționeze.

CURĂȚIRE SI ÎNTREȚINERE

- Înainte de operațiunea de curățire deconectați aparatul de la sursa electrică.
- Lăsați cuptorul să se răcească complet.
- Stergeți panoul de comandă pe suprafețele interioare și exterioare, vasul de sticlă, cu o cârpă cu detergent de vase.
- Nu folosiți substanțe agresive sau materiale abrazive.
- Pentru a îndepărta mirosul neplăcut turnați într-un vas adânc recomandat pentru cuptorul cu microunde un pahar cu suc de la o lămâie și așezați-l în cuptor. Fixați temporizatorul-timerul la 5 min, întrerupătorul pentru regimurile de funcționare în poziție maximă. Când se produce semnalul sonor și cuptorul se oprește, scoateți vasul și ștergeți pereții camerei cu o cârpă uscată.

PĂSTRARE

- Asigurați-vă că aparatul-cuptorul cu microunde- este deconectat de la rețeaua electrică și este complet răcit.
- Efectuați toate operațiunile necesare de la punctul "CURĂȚIRE SI ÎNTREȚINERE".
- Păstrați cuptorul cu ușa deschisă într-un loc curat și uscat.

UA ПОРАДНИК З ЕКСПЛУАТАЦІЇ ЗАХОДИ БЕЗПЕКИ

- Невірно використання приладу може привести до його поломки та завдати шкоду користувачеві.
- Перед першим вмиканням перевірте, чи відповідають технічні характеристики виробу, що зазначені на наклейці, параметрам електромережі.
- **УВАГА!** Вилка шнура живлення має провід та контакт заземлення. Підключайте прилад тільки до відповідних заземлених розеток.
- Використовувати тільки у побути відповідно до даної Інструкції з експлуатації. Прилад не призначений для виробничого використання.
- Використовувати тільки у приміщеннях.
- Завжди відключайте пристрій з електромережі перед очищенням, або якщо Ви його не використовуєте.

УВАГА! Використання печі без нагляду дозволяється дітям тільки тоді, якщо їм були надані відповідні й зрозумілі інструкції про безпечне користування піччю та про ту небезпеку, яка може виникнути у разі невідповідного використання печі.

- Не залишайте увімкнений прилад без догляду.
- Не використовуйте приладдя, що не входить до комплекту поставки.
- Не використовуйте прилад з ушкодженим шнуром живлення.

УВАГА! У разі ушкодження дверцят або ущільнювача дверцят працювати з піччю заборонено доти, поки кваліфікований спеціаліст не усуне несправність.

УВАГА! В цілях запобігання небезпеці підвищеного витоку мікрохвильового випромінювання усі ремонтні роботи, пов'язані зі зняттям будь-яких кришок, повинні виконуватись тільки спеціалістами.

- Стежте, щоби шнур живлення не торкався гострих крайок та гарячих поверхонь.
- Не тягніть за шнур живлення, не перекручуйте та не обмотуйте його навколо пристрою.
- Використовуйте мікрохвильову піч тільки для готування їжі. Ні в якому разі не сушіть в ній одяг чи папір, або інші предмети.

УВАГА! Рідину або інші продукти не можна розігрівати у закритих ємностях, щоб запобігти вибуху цих ємностей.

- При нагріванні напоїв за допомогою мікрохвиль може мати місце наступне інтенсивне кипіння, тому необхідно приділяти увагу та обережність при роботі з ємностями.
- Щоби продукти не лопалися під час готування, перед закладкою до печі протикайте ножем, або вилкою їх шкірку, чи оболонку, наприклад, картоплі, яблук, каштанів, ковбаси та ін.
- У разі нагрівання у печі продуктів харчування у посуді з легкозаймистих матеріалів, таких як пластик або папір, необхідно слідкувати за піччю, щоби не допустити займання.
- Щоб уникнути займання у духовій шафі печі необхідно:
 - уникати пригоряння продуктів у результаті занадто тривалого готування;
 - закладати продукти у мікрохвильову піч без упаковки, у т.ч. без фольги;
 - у випадку займання в камері, не відкриваючи дверцят, вимкніть піч та відключіть її з електромережі.
- Не викайте печі з порожньою камерою. Не використовуйте камеру для збереження будь-чого.
- Мікрохвильова піч не призначена для консервування продуктів.
- Не викладайте продукти безпосередньо на дно камери, використовуйте знімну решітку, або піддон.
- Завжди перевіряйте температуру готової їжі, особливо, якщо вона призначена для дітей. Не подавайте блюдо до столу відразу ж після приготування, дайте йому трохи охолонути.
- Керуйтеся рецептами приготування, але пам'ятайте, що деякі продукти (джеми, пудинги, начинки для пирога з мигдалю, цукру чи цукатів) нагріваються дуже швидко.
- Щоб уникнути короткого замикання та пошкодження печі, не допускайте потраплення води у вентиляційні отвори.

УВАГА:

- Продукти варто готувати у спеціальному посуді, а не викладати безпосередньо на скляне блюдо, за винятком випадків, особливо обговорених у рецепті приготування.
- Використовуйте тільки посуд, призначений для мікрохвильової печі.
- Придатним для готування у мікрохвильових пічах посудом слід користуватися у строгій відповідності з інструкціями виробника посуду.
- Пам'ятайте, що у мікрохвильовій печі вміст нагрівається набагато швидше, ніж посуд, тому будьте дуже уважні, коли виймаєте посуд з печі, обережно відкривайте кришку щоби не обваритися паром.
- Попередньо видаляйте з продуктів, або з їх упаковки металеві стрічки та фольгу.
- **У мікрохвильовій печі не можна готувати нерозбиті яйця.**

ПОСУД ДЛЯ МІКРОХВИЛЬОВОЇ ПЕЧІ

УВАГА! Керуйтеся маркіруванням на посуді та вказівками виробника.

ПРИДАТНА

- **Жаростійке скло** - найкращий матеріал посуду для готування у мікрохвильовій печі.
- **Термостійкий пластик** - у такому посуді не слід готувати їжу з високим вмістом жиру, або цукру. Не можна використовувати контейнери, що щільно закриваються.
- **Фаянс і порцеляна** - придатні для приготування у мікрохвильовій печі, за винятком посуду позолоченого, посрібленого, чи з декоративними металевими елементами.
- **Спеціальна упаковка** (паперова, пластикова, та ін.), призначена для мікрохвильових печей - строго дотримуйтеся вказівок виробника.

НЕПРИДАТНА

- **Плівка для збереження продуктів, а також термостійкі поліетиленові пакети** - непридатні для смаження м'яса та будь-яких інших продуктів.
- **Металевий посуд (алюмінієвий, з нержавіючої сталі та ін.) і продовольча фольга*** - екранують мікрохвилі; при контакті зі стінками жарової шафи можуть викликати іскріння та коротке замикання у процесі готування.
- *Можна застосовувати для огортання одним шаром окремих частин продукту щоби уникнути перегріву та пригоряння. Не допускайте контакту зі стінками, відстань до них повинна бути не меншою, ніж 2 см.
- **Плавкі пластики** - непридатні для готування у мікрохвильовій печі.
- **Лакований посуд** - під впливом мікрохвиль лак може розплавитися.
- **Звичайне скло (у т.ч. фігурне і товсте)** - під впливом високих температур може деформуватися.
- **Папір, соломка, дерево** - під впливом високої температури можуть зайнятися.
- **Меламіновий посуд** - може поглинати мікрохвильове випромінювання, що викликає його розтріскування, або термодеструкцію, а також істотно збільшує час приготування.

ЯК ВИЗНАЧИТИ, ЧИ ПРИДАТНИЙ ПОСУД ДЛЯ МІКРОХВИЛЬОВОЇ ПЕЧІ?

- Увімкніть піч, та установіть перемикач режимів роботи на максимальну потужність (максимальна температура), помістіть у піч на 1 хвилину посуд, що підлягає тестуванню, та поставте поруч склянку води (~ 250 мл).
- Посуд, придатний для готування їжі у мікрохвильовій печі залишиться приблизно тієї ж температури, що і перед установкою у піч, у той час, як вода у склянці нагріється.

КОРИСНІ ПОРАДИ

- Щоби продукти рівномірно прогрівалися перевертайте їх під час готування.
- Не використовуйте посуд з вузьким отвором, пляшки, тому що вони можуть вибухнути.
- Для виміру температури продуктів використовуйте тільки спеціальні термометри, призначені для мікрохвильових печей.

ПЕРШ, НІЖ ЗВЕРНУТИСЯ ДО СЕРВІСУ

- Якщо піч не вмикається, перевірте:
 - справність розетки та наявність напруги у електромережі;
 - правильність установки таймера;
 - чи щільно зачинені дверцята.

РАДІОПЕРЕШКОДИ

- Мікрохвилі можуть викликати перешкоди під час прийому теле-, чи радіосигналів.
- Щоб мінімізувати перешкоди:
 - регулярно очищайте дверцята та металеві ущільнювачі;
 - розміщайте телевізор чи радіоприймач якнайдалі від мікрохвильової печі;
 - прямуйте прийомну антену для досягнення найкращого результату;

- підключіть мікрохвильову піч та приймач до різних ліній електромережі.

УСТАНОВКА

- Переконайтеся, що усередині печі немає матеріалів від упаковки та сторонніх предметів.
- Перевірте, чи не ушкодилися при транспортуванні:
 - дверцята та металеві ущільнювачі;
 - корпус та оглядове вікно;
 - стінки камери.
- При виявленні будь-яких дефектів не вмикайте піч; зверніться до продавця, або у сервісний центр.
- Установіть мікрохвильову піч на рівну горизонтальну поверхню, досить міцну, щоб витримати вагу печі з продуктами і посудом.
- Не розміщуйте піч поблизу теплових джерел.
- Нічого не кладіть на піч. Не перекривайте вентиляційні отвори.
- Для нормальної роботи печі необхідно забезпечити простір для вільної вентиляції: не менш: 20 см зверху, 10 см від задньої панелі та й не менш ніж 5 см з бокових сторін.

СПОСОБИ ГОТУВАННЯ У МІКРОХВИЛЬОВІЙ ПЕЧІ

- Розміщуйте продукти товстими частинами ближче до країв блюда.
- Стежте за часом готування, задавайте його по мінімуму, поступово збільшуючи при необхідності. При занадто тривалому готуванні продукти можуть задимити та й зайнятися.
- Накривайте продукти - це забезпечить рівномірніше нагрівання і запобіжить розбризкування.
- Для більш рівномірного прогріву та прискорення готування перевертайте та перемішуйте продукти.
- Круглі/овальні блюда, на відміну від квадратних/прямокутних, також забезпечують більш рівномірний прогрів.

РОБОТА

- Підключіть піч до електромережі.
- Помістіть продукти у піч та закрийте дверцята.
- Після встановлення часу готування (та до його закінчення) після натискання кнопки "Instant/start" працюють внутрішнє освітлення камери та система вентиляції.
- Після закінчення заданого часу обробки на дисплеї з'являється напис "End" та кожні 3 хвилини лунає серія звукових сигналів, доки не будуть відкриті дверцята чи натиснута кнопка "Pause/Cancel".

ПРИЗУПИНЕННЯ ГОТУВАННЯ

- Дана функція корисна для перевірки ступеня готовності продукту.
- Обробку можна перервати, просто відкривши дверцята. Якщо її закрити та натиснути "Instant/start", процес буде продовжений.
- При необхідності перервати обробку, натисніть кнопку "Pause/Cancel".

БАГАТОФУНКЦІОНАЛЬНИЙ РЕГУЛЯТОР

- Призначений для встановлення поточного часу, вибору режиму та тривалості обробки.

УСТАНОВКА ПОТОЧНОГО ЧАСУ

- При підключенні печі до електромережі дисплей мигає та показує «88:88», через 3 секунди відображається «-:-», після чого можна встановлювати поточний час.
- Годинник працює у 24-годинному форматі.
- Натисніть кнопку "Clock" (ЧАС).
- Натискаючи багатофункціональний регулятор, установіть поточну годину.
- Натисніть кнопку "Clock" ще раз.
- Натискаючи багатофункціональний регулятор, установіть поточні хвилини.
- Для підтвердження установок натисніть кнопку "Clock" 5 сек.

РІВНІ ПОТУЖНОСТІ

- Натисніть кнопку "Pause/Cancel".
- Керуючись таблицею, встановіть необхідну потужність, натискаючи кнопку "Power". При кожному наступному натисканні дисплей буде показувати вихідну потужність у % від максимальної: **100P→80P→60P→40P→20P**.
- Багатофункціональним регулятором задайте тривалість обробки (макс. 99 хв. 99 сек.).
- Натисніть кнопку "Instant/start".

Скільки разів натиснути кнопку "Power"	Індикація дисплея	Рівень потужності
1	100P	Максимальна
2	80P	Висока
3	60P	Середня
4	40P	Низька
5	20P	Мінімальна

АВТОМАТИЧНЕ ГОТУВАННЯ

- Рівень потужності та час готування деяких продуктів задаються автоматично.
- Натискаючи багатофункціональний регулятор, оберіть належний режим.
- Натисніть кнопку "Instant/start".

Індикація дисплея	Продукти, для яких заданий автоматичний режим	Запрограмована тривалість готування, хв.:сек.
A1	Попкорн (85 г)	2:30
A2	Попкорн (100 г)	2:40
A3	Піцца	1:00
A4	Супи (250 мл)	2:20
A5	Супи (500 мл)	4:40
A6	Картопля (0,45 кг)	7:12
A7	Картопля (0,65 кг)	10:12
A8	Риба (0,45 кг)	6:30

РОЗМОРОЖУВАННЯ З УРАХУВАННЯМ ВАГИ

- Кнопкою "Defrost" виберіть категорію продукту.
- Багатофункціональним регулятором оберіть вагу продукту в грамах (відображається на дисплеї).

Режим розморожування	Продукт	Вага продукту
D1	м'ясо	100 г...2 кг
D2	птиця	200 г...3 кг
D3	морепродукти	100 г...900 г

- Натисніть "Instant/start".
- Під час обробки пролунають звукові сигнали, після чого продукти слід перевернути.

РЕЖИМ ГРИЛЬ / КОМБИ

- Натискаючи кнопку "Grill/combi", оберіть потрібний режим.
- Багатофункціональним регулятором установіть тривалість готування.
- Натисніть кнопку "Instant/start".
- G-1 – 100%.
- Режим "COMBI 1" рекомендується для готування риби, картоплі: 30% часу – мікрохвилі, 70% - гриль.
- Режим "COMBI 2" рекомендується для готування омлетів, запікання картоплі та птиці: 55% мікрохвилі, 45% - гриль.

ВІДСТРОЧКА ПОЧАТКУ ГОТУВАННЯ

- Дозволяє запрограмувати час початку обробки.
- Натискаючи кнопку "Power" оберіть режим обробки.
- Багатофункціональним регулятором установіть тривалість обробки.
- Наприклад, необхідно розпочати готування о "10:30".
- Натисніть кнопку "Clock" та утримуйте її протягом 3 секунд.
- Багатофункціональним регулятором установіть 10 годин.
- Натисніть кнопку "Clock" ще один раз.
- Багатофункціональним регулятором установіть 30 хвилин.
- Натисніть кнопку "Clock" один раз для підтвердження часу початку готування.
- У "10:30" піч автоматично ввімкнеться.
- Для перегляду заданого часу натисніть та відпустіть кнопку "Clock".
- Щоб почати роботу раніш запрограмованого часу, натисніть кнопку "Clock".
- Для скасування режиму програмування натисніть кнопку "Pause/Cancel".
- Якщо задати час початку приготування, але не встановити поточного часу, у встановлений термін піч не увімкнеться, а лише видасть серію звукових сигналів.

ПОЕТАПНЕ ПРОГРАМОВАНЕ ПРИГОТУВАННЯ

- Кнопкою "Power" установіть рівень потужності (у % від максимальної).
- Багатофункціональним регулятором установіть тривалість готування.
- Натискаючи кнопку "Grill/combi", оберіть потрібний режим.
- Багатофункціональним регулятором установіть тривалість готування.
- Натисніть кнопку "Instant/start".

ПРИМІТКА: стадію розморожування можна включати тільки перед готуванням.

АВТОМАТИЧНЕ НАГАДУВАННЯ

- Наприкінці обробки кожні 3 хвилини будуть лунати звукові сигнали, поки не будуть відкриті дверцята або натиснута кнопка "Pause/Cancel".

БЛОКУВАННЯ

- Не дозволяє маленьким дітям вмикати піч без нагляду дорослих.
- Для установки і скасування блокування необхідно натиснути та утримувати протягом 3-х секунд кнопку "Pause/Cancel".
- Після встановлення блокування на дисплеї з'явиться "OFF" та пролунає звуковий сигнал. Усі кнопки заблоковані.

ФУНКЦІЯ PAUSE/CANCEL (СТОП/СКИДАННЯ)

- Дана функція служить для зупинки роботи печі або скасування установок.
- Натисніть кнопку "Pause/Cancel", щоб призупинити роботу печі.
- Якщо піч працює за програмою, натисніть кнопку "Pause/Cancel", щоб скасувати установки.

ПРИМІТКА: Час готування також може змінюватися в залежності від форми, розмірів та розміщення продуктів. Великі або товсті шматки готуються довше, а дрібні – швидше.

- Розморозьте продукти без обгортки у неглибокому піддоні або на решітці для мікрохвильової обробки, обов'язково використовуючи скляне обертове блюдо. Заморожуючи продукти, додавайте їм по можливості компактну форму.
- Накривайте продукти спеціальними кришками або пластиком, відгинаючи один з кутів для випуску надлишкової пари. Кришки дуже сильно нагріваються – поводьтеся з ними обережно!
- Відстань між продуктами, наприклад, овочами, кексами і т.п. повинна бути не меншою за 2,5 см., щоб забезпечити рівномірну обробку.
- Перемішування необхідне, оскільки біля країв посуду продукти нагріваються сильніше.
- Розміщуйте продукти тільки одним шаром, товстіші шматки кладіть ближче до країв.
- Протикайте щільну шкірку або оболонку, щоб уникнути розриву продукту.
- Розігрівайте тільки готові та охолоджені продукти, перемішуючи їх.
- Попкорн – строго дотримуйтеся інструкції виробника та не залишайте мікрохвильову піч без нагляду. Якщо продукт у заданий час не готовий, переверте готування. Занадто тривала обробка може привести до загоряння.

ЗАСТЕРЕЖЕННЯ: Не використовуйте пакети з коричневого папера для готування попкорну та не намагайтеся використовувати залишки зерен. Не розміщуйте огортку з попкорном безпосередньо на скляному блюді, кладіть його на тарілку.

УВАГА: Під час процесу обробки у мікрохвильовій печі, продукти необхідно перевертати.

- Після закінчення встановленого часу, піч автоматично вимкнеться та пролунає звуковий сигнал.

ПРИМІТКА: При відкритих дверцятах піч працювати не буде

ОЧИЩЕННЯ ТА ДОГЛЯД

- Перед очищенням вимкніть та відключіть піч з електромережі.
- Дайте печі цілком охолонути.
- Протріть панель керування, зовнішні та внутрішні поверхні, скляне блюдо вологою тканиною з м'яким засобом.
- Не застосовуйте агресивні речовини, або абразивні матеріали.
- Щоб видалити неприємний запах, налийте у який-небудь глибокий посуд, придатний для мікрохвильової печі, склянку води із соком одного лимона, та поставте у піч. Установіть таймер на 5 хвилин, а перемикач режимів роботи – на максимум. Коли пролунає звуковий сигнал і піч вимкнеться, витягніть посуд та протріть стінки камери сухою тканиною.

ЗБЕРЕЖЕННЯ

- Переконайтеся, що піч відключена з електромережі і цілком охолонула.
- Виконайте усі вимоги розділу "ОЧИЩЕННЯ ТА ДОГЛЯД".
- Зберігайте піч з напіввідчиненими дверцятами у сухому чистому місці.

SCG УПУТСТВО ЗА РУКОВАЊЕ

СИГУРНОСНЕ МЕРЕ

- Неправилна употреба уређаја може да доведе до његовог кварења и да оштети здравље корисника.
- Пре прве употребе уверите се да техничка својства уређаја, назначена на налепници, одговарају параметрима електричне мреже.
- ПАЖЊА!** Утикач прикључног кабла има земљоводни проводник и контакт за уземљење. Укључите уређај само у одговарајуће уземљено гнездо.
- Користите само у домаћинству у складу са овим упутством за руковање. Уређај није намењен за професионалну употребу.
- Не користите вани.
- Увек искључите уређај из електричне мреже пре чишћења и ако га не користите.

ПАЗИТЕ! Деца могу да користе пећницу без надзора одраслих само ако су добили адекватна и разумљива упутства у вези са безбедним коришћењем пећнице и евентуалним опасностима које се могу појавити у току неправилног коришћења пећнице.

- Не остављајте укључени уређај без надзора.
- Не користите делове који не улазе у комплет уређаја.
- Не користите уређај са оштећеним прикључним каблом.

ПАЗИТЕ! У случају оштећења врата или заптивача врата пећница не може да се користи док квалификовано особље не уклони квар. **ПАЗИТЕ!** Како би се избегла опасност повећаног микроталасног зрачења, сви радови на поправљању, везани за скидање било којих поклопаца, морају да се обављају искључиво стручњацима.

- Пазите да прикључни кабл не додирује оштре ивице и вруће површине.
 - Не вуците прикључни кабл, не савијајте и не намотавајте га на тело уређаја.
 - Користите микроталасну пећ само за кување намирница. Ни у ком случају не сушите у пећи одећу, папир и друге предмете.
- ПАЗИТЕ!** Текућине и други производи не смеју да се загревају у затвореној посуди како не би дошло до експлозије те посуде.
- Загревање пића уз помоћ микроталаса може да доведе до снажног кључања, зато је неопходно користити посуду пажљиво и опрезно.
 - Да намирнице не пуцају за време припремања, пре него што их ставите у пећ, прободите ножем или виљушком тврду гљуску или кожицу кромпира, јабука, кестенова, кобасице и сл.
 - Током загревања у пећници намирница у посуђу од лакозапаљивих материјала, као што су пластика и папир, неопходно је пазити да не дође до пожара.
 - Да се избегне загревање у рерни Ваше пеће неопходно је:
 - избегавати прегоривања намирница у резултату сувише дугог кувања;
 - ставити намирнице у микроталасну пећ без паковања и без фолије;
 - у случају загревања у пећници, искључите је не отварајући врата и искључите из мреже напајања.
 - Не укључите празну пећ. Не користите пећницу за чување било чега.
 - Микроталасна пећ није намењена за конзервацију продуката.
 - Не ставите намирнице непосредно на дно пећнице него користите решетку на скидање или ладницу.
 - Увек проверавајте колико је топло готово јело, посебно ако сте га припремили за децу. Сачекајте да се готово јело мало охлади, не изнесите га на сто одмах после кувања.
 - Пратите рецепте али имајте у виду да се поједине намирнице јако брзо загреју (на пример, џем, пудинг, филове за колаче од бадема, шећера или ушећереног воћа).
 - Да се избегну кратак спој и оштећење пеће, не допустите да се у отворима за вентилацију налази вода.

НАПОМЕНА:

- Намирнице морају да се кувају у специјалном посуђу, не ставите намирнице непосредно на стаклени тањир, за изузетком посебних случајева који су описани у рецепту за спремање јела.
- Користите само посуђе погодно за микроталасну пећ.
- Посуђе које је погодно за микроталасну пећ треба да се користи искључиво у складу са упутствима произвођача.
- Имајте у виду да се у микроталасној пећи намирнице загреју много брже него посуђе, зато будите посебно пажљиви док вадите посуђе из пеће, опрезно отварајте поклопац да се не опечете паром.
- Уклоните са намирница или њиховог паковања металне траке и фолију.
- **У микроталасним пећима не смеју да се кувају неразбијена јаја.**

ПОСУЂЕ ПОГОДНО ЗА МИКРОТАЛАСНУ ПЕЋ

НАПОМЕНА! Пратите маркирање на посуђу и упутстава произвођача.

ПОГОДНА ЗА МИКРОТАЛАСНЕ ПЕЋЕ

- **Отпорно на топлоту стакло** – је најбољи материјал за посуђе за микроталасну пећ.
- **Отпоран на топлоту пластик** – у овом посуђу не треба да се кувају намирнице засићене машћу или шећером. Не допушта се искориштавање чврсто затворених контејнера.
- **Фајанс и порцелан** – погодне су за микроталасне пеће, за изузетком позлаћене, посребрене посуде и посуде са металним украсним елементима.
- **Специјално паковање** (папирно, пластично и сл.), намењено за микроталасне пеће – доследно пратите упутстава произвођача.

ПОСУЂЕ НЕПОГОДНО ЗА МИКРОТАЛАСНУ ПЕЋ

- **Кожица за чување намирница и отпорне на топлоту кесе од полиетилена** – нису погодни за пржење меса и било којих других намирница.
- **Метално посуђе (од алуминијума, од нерђајућег челика и сл.) и фолија за продукте** * - одбијају микроталасе, додир фолије и зидова пеће може да изазове варнице и кратак спој у процесу кувања.
- *Може да се користи за увијање појединих делова продуката у један слој ради избегавања прегревања и прегоривања. Избегавајте контакт са зидовима, одстојање од зидова треба да буде најмање 2 см.
- **Топљиви пластик** – није погодан за кување у микроталасној пећи.
- **Лакирано посуђе** – лак се може растопити под утицајем микроталаса.
- **Обично стакло (укључујући уметничко и дебело)** – може да се деформише под утицајем високе температуре.
- **Папир, слама, дрво** – могу да се загоре под утицајем високе температуре.
- **Посуђе од меламина** – може да апсорбује микроталасно зрачење што изазива пукотине или деформисање и значајно повећава време кувања.

КАКО СЕ ОПРЕДЕЉУЈЕ ДА ЛИ ПОСУЂЕ ПОГОДНО ЗА МИКРОТАЛАСНЕ ПЕЋЕ?

- Укључите пећ и ставите прекидач радних режима на максимални ниво капацитета (максимална температура), ставите у пећ на 1 минут посуђе које желите да тестирате и ставите чашу воде поред ње (~ 250 мл).
- Посуђе које је погодно за искориштавање у микроталасној пећи неће да се загреје, док ће се вода загрејати.

КОРИСНИ САВЕТИ

- За равномерно загревање намирница преокрећете их за време припремања.
- Не користите посуђе са уским грлом, боце, јер могу да експлодирају.
- Не користите термометар за одређивање температуре намирница. Користите само специјалне термометре који су намењени за микроталасне пеће.

ПРЕ НЕГО ШТО СЕ ОБРАТИТЕ СЕРВИСУ

- Ако се пећ не укључује, уверите се:
 - да су гнезда исправна и да у електричној мрежи има напон;
 - да је тајмер правилно подешен;
 - да су врата добро затворена.

РАДИО-ПОРЕМЕЋАЈИ

- Микро-таласи могу да изазову поремећаје пријема радио- и теле-сигнала.
- Да се поремећаји смање:
 - редовно чистите врата и металне заптиваче;
 - ставите телевизор и радио што даље од микроталасне пеће;
 - усмерите антену ради постизања најбољег резултата.
 - прикључите микроталасну пећ и радио различитим електричним линијама.

НАМЕСТАЊЕ

- Уверите се да унутра пеће нема паковања и туђих предмета.
- Уверите се да током транспортирања нису оштећени:
 - врата и метални заптивачи;
 - кутија и прозор на вратима;
 - зидове рерне.
- У случају било којег оштећења не укључите пећ него се обратите продавачу или сервису.
- Наместите микроталасну пећ на равну хоризонталну површину, доста чврсту да издржи тежину пеће са намирницама и посуђем.
- Не ставите пећ у близини извора топлоте.
- Ништа не ставите на пећ. Не покривајте ничим отворе за вентилацију.
- Ради нормалног рада пеће неопходно је обезбедити доста простора за вентилацију, најмање 20 см одозго, 10 см с задње стране и најмање 5 см са сваке бочне стране.

НАЧИНИ КУВАЊА У МИКРОТАЛАСНОЈ ПЕЋИ

- Ставите намирнице тако да дебљи делови буду ближи крају тањира.
- Пратите време кувања, изабирајте најмање могуће време, полако га повећавајући ако је неопходно. Предуга обрада може да узрокује загревање намирница.
- Покривајте намирнице - то ће обезбедити равномерно загревање и спречити распрскавање.
- За равномерноје загревање и убрзање кувања преокрећете и мешајте намирнице.
- Округли/овални тањира, за разлику од квадратних/правоугаоних, обезбеђују равномерноје загревање.

РАД

- Укључите пећ у електричну мрежу.
- Ставите намирнице у пећ и затворите врата.
- Након подешавања времена кувања (и пре његовог завршетка) након притиска дугмета "Instant/start" укључују се унутрашње осветљење рерне и вентилација.
- По завршетку изабраног времена обраде на дисплеју пише "End", сваке 3 минуте чује се низ звучних сигнала док не отворите врата или притиснете било дугме "Pause/Cancel".

ЗАУСТАВЉАЊЕ КУВАЊА

- Ова функција се користи за проверавање степена готовости намирница.
- Обрада се може прекинути уз једноставно отварање врата. Када затворите врата и притиснете "Instant/start", кување ће се наставити.
- Ако је потребно да се кување прекине, притисните дугме "Pause/Cancel".

ВИШЕФУНКЦИОНАЛНИ РЕГУЛАТОР

- Намењен је за подешавање текућег времена, избора радног режима и времена обраде.

ПОДЕШАВАЊЕ ТЕКУЋЕГ ВРЕМЕНА

- Када се пећ укључује у електричну мрежу, дисплеј ће светлукати и показивати «88:88», кроз 3 секунде на дисплеју пише «-:-», након чега можете да подесите текуће време.
- Сат ради у формату 24 часова.
- Притисните дугме "Clock" (ВРЕМЕ).
- Притисните вишефункционални регулатор, унесите сат.
- Притисните дугме "Clock" још једном.
- Притисните вишефункционални регулатор, унесите минуте.
- Да се потврди подешено време, притисните дугме "Clock" 5 сек.

НИВОИ ЈАЧИНЕ

- Притисните дугме "Pause/Cancel".
- Користећи таблицу, одаберите јачину, притиском дугмета "Power" подесите потребну јачину. Након сваког следећег притиска дисплеј ће приказивати излазну јачину у % од максималне: **100P→80P→60P→40P→20P**.
- Помоћу вишефункционалног регулатора одредите време трајања обраде (max. 99 мин. 99 сек.).
- Притисните дугме "Instant/start".

Колико пута притиснути дугме "Power"	Напис на дисплеју	Ниво јачине
1	100P	Максимални
2	80P	Високи
3	60P	Средњи
4	40P	Ниски
5	20P	Минимални

АУТОМАТСКО КУВАЊЕ

- Ниво јачине и време припремања неких производа одређују се аутоматски.
- Притисните вишефункционални регулатор, изаберите одговарајући режим.
- Притисните дугме "Instant/start".

Напис на дисплеју	Производи, за које је подешен аутоматски режим	Програмирано време припремања, мин.:сек.
A1	Кокице (85 g)	2:30
A2	Кокице (100 g)	2:40
A3	Пица	1:00
A4	Супе (250 ml)	2:20
A5	Супе (500 ml)	4:40
A6	Кромпир (0,45 kg)	7:12
A7	Кромпир (0,65 kg)	10:12
A8	Риба (0,45 kg)	6:30

ОТАПАЊЕ СА ЕВИДЕНЦИЈОМ ТЕЖИНЕ

- Дугметом "Defrost" изаберите врсту производа.
- Вишенаменским регулатором изаберите тежину производа у граммама (приказује се на дисплеју).

Режим отапања	Производ	Тежина производа
D1	месо	100 g...2 kg
D2	птица	200 g...3 kg
D3	морски производи	100 g...900 g

- Притисните "Instant/start".
- Кад се у време обраде зачују звучни сигнали, треба окренути производе.

РЕЖИМ ГРИЛ / КОМБИ

- Притисцима дугмета "Grill/combi" изаберите одговарајући режим.
- Вишефункционалним регулатором одредите време припремања.
- Притисните дугме "Instant/start".
- G-1 – 100%.
- Режим "COMBI 1" препоручује се за припремање рибе, кромпира: 30% времена – микроталаси, 70% - грил.
- Режим "COMBI 2" препоручује се за припремање омлета, печење кромпира и птице: 55% микроталаси, 45% - грил.

ОДЛАГАЊЕ ПОЧЕТКА ПРИПРЕМАЊА

- Дозвољава програмирати време почетка обраде.
- Притиском дугмета "Power" изаберите режим обраде.
- Вишенаменским регулатором одредите време трајања обраде.
- На пример, потребно је почети припремање у "10:30".
- Притисните дугме "Clock" и држите га у току 3 секунде.
- Вишефункционалним регулатором унесите време 10 сати.
- Притисните дугме "Clock" још једном.
- Вишефункционалним регулатором унесите време 30 минута.
- Притисните дугме "Clock" један пут да потврдите време почетка кувања.
- У "10:30" пећ ће да се укључи аутоматски.
- Како бисте погледали задато време, притисните и отпустите дугме "Clock".
- Како бисте почели рад раније задатог времена, притисните дугме "Instant/start".
- За брисање режима програмирања притисните дугме "Pause/Cancel".
- Ако сте изабрали време почетка кувања али нисте подесили текуће време, пећница се неће укључити у одређено време него ће дати низ звучних сигнала.

ПРОГРАМИРАНО КУВАЊЕ КОРАК ПО КОРАК

- Дугметом "Power" одаберите ниво јачине (у % од максималне).
- Вишефункционалним регулатором одредите време припремања.
- Притисцима дугмета "Grill/combi" изаберите одговарајући режим.
- Вишефункционалним регулатором одредите време припремања.
- Притисните дугме "Instant/start".

НАПОМЕНА: одмрзавање може се укључити само пре припремања.

АУТОМАТСКО ОПОМИЊАЊЕ

- По завршетку обраде сваке 3 минуте чуће се звучни сигнали, док затворите врата или притисните било дугме "Pause/Cancel".

БЛОКИРАЊЕ

- Не допушта малој деци да укључују пећ без контроле одраслих.
- Да поставите или отклоните блокирање, притисните и држите у току 3 секунде дугме "Pause/Cancel".
- Након постављања блокирања на дисплеју ће да се појави "OFF", и чуће се звучни сигнал. Сва дугмад је блокирана.

ФУНКЦИЈА PAUSE/CANCEL ("СТОП/БРИСАЊЕ")

- Ова функција служи за заустављање рада пећи или брисање подешавања.
- Притисните дугме "Pause/Cancel" да зауставите рад пећи.
- Ако пећ ради према програму, притисните дугме "Pause/Cancel" да избришите подешавање.

НАПОМЕНА: Време припремања такође може да се мења у зависности од облика, величине и распоређености производа. Велики или дебели комади кувају се спорије, а мали – брже.

- Стапајте производе без паковања на плитком подметачу или на решетки за микроталасну обраду, обавезно користите ротациони стаклени тањир. Приликом замрзавања производа, обликујте их, ако је могуће, компактно.
- Покријте производе специјалним поклопцима или пластиком, заврните један од углова ради изласка сувишне паре. Поклопци се јако загревају – будите опрезни с њима!
- Размак између производа, на пример, поврћа, кексова исл., мора бити најмање 2,5 cm због равномерне обраде.
- Неопходно је мешање, јер код бочних страна посуде производи се загревају више.
- Ставите производе само у један слој, дебеле комаде ставите код бочних страна.
- Прободите тврду кожу или љуску како бисте избегли пуцање производа.
- Загревајте само готове и охлађене производе, мешајући их.
- Кокице – строго следите упутства произвођача и не остављајте микроталасну пећ без контроле. Ако јело није готово у задато време, прекините кување. Сувише дуготрајна обрада може да доведе до запаљења.

НАПОМЕНА: Не користите кесе од смеђег папира за припремање кокица и не пробајте да искористите остатке зрна. Не стављајте паковање са кокицама непосредно на стаклени тањир, поставите га на обични тањир.

НАПОМЕНА: У време обраде у микроталасној пећи производе је потребно окретати.

- По истеку задатог времена пећ ће се аутоматски искључити, чуће се звучни сигнал.

НАПОМЕНА: Ако су врата отворена, пећ неће да ради.

ЧИШЋЕЊЕ И ОДРЖАВАЊЕ

- Пре чишћења укључите и искључите пећ из електричне мреже.
- Сачекајте да се пећ потпуно охлади.
- Обришите контролну таблу, спољне и унутрашње површине, стаклени тањир влажном крпом са детергентом.
- Не користите агресивне или абразионе материјале.
- Како бисте уклонили непријатан мирис, насипајте у било коју дубоку посуду, погодну за микроталасну пећ, чашу воде са соком једног лимуна и ставите у пећ. Подесите тајмер за 5 минута, прекидач радних режима ставите у максимални положај. Када се зачује звучни сигнал и пећ се искључи, извадите посуду и обришите зидове рерне сувом тканином.

ЧУВАЊЕ

- Уверите се да је пећ искључена из електричне мреже и потпуно се охладила.
- Испуните све захтеве поглавља "ЧИШЋЕЊЕ И ОДРЖАВАЊЕ".
- Чувајте пећ са мало отвореним вратима на сувом чистом месту.

EST KASUTUSJUHEND

OHUTUSNÕUANDED

- Väär kasutus võib põhjustada seadme riket ja seadme kasutaja tervist kahjustada.
- Enne seadme esimest voluvõrku lülitamist kontrollige, et seadme etiketil osutatud andmed vastaksid kohaliku voluvõrgu andmetele.
- **TÄHELEPANU!** Toitejuhtme pistikul on olemas maandusjuhe ja –kontakt. Ühendage seade ainult vastava maandusega pistikuga.
- Antud seade on mõeldud ainult koduseks, mitte tööstuslikuks kasutamiseks.
- Ärge kasutage seadet väljas.
- Eemaldage seade voluvõrgust enne selle puhastamist ning ajaks, mil seda ei kasutata.
- **TÄHELEPANU!** Laste poolt mikrolaineahju kasutamise täiskasvanute järelevalveta on lubatud ainult sel juhul, kui on antud vastavad ja lastele arusaadavad juhendid ohutust ahju kasutamisest ning nendest ohtudest, mis võivad tekkida selle valel kasutamisel.

- Ärge jätke töötavat seadet järelvalveta.
 - Ärge kasutage tarvikuid, mis ei kuulu komplekti.
 - Ärge kasutage seadet vigastatud toitejuhtmega.
- TÄHELEPANU!** Ukse ja uksetihendite rikke korral ei tohi kasutada ahju seni, kuni kvalifitseeritud spetsialist eemaldab vea.
- TÄHELEPANU!** Mikrolaineiirguse suurema väljavoolu vältimiseks peavad kõik remonditööd, mis on seotud mistahes ukse eemaldamisega, olema teostatud ainult spetsialistide poolt.

- Jälgige seda, et juhe ei puutuks vastu teravaid servi ja kuumi pindu.
 - Ärge tõmmake toitejuhtmest, keerake seda krussi, ega ümber korpuse.
 - Kasutage mikrolaineahju ainult toidu valmistamiseks. Ärge kuivatage selles riideid, pabereid või muid esemeid.
- TÄHELEPANU!** Vedelikke ja teisi toiduaineid ei tohi soojendada kinnistes anumates nende anumate lõhkemise vältimiseks.
- Jookide soojendamine mikrolainete abil võib tekitada ägedat keemist, sellepärast on vaja olla tähelepanelik ja ettevaatlik anumate kasutamisel.
 - Et toiduained ei läheks valmistamise ajal lõhki, enne mikrolaineahjusse panemist, tehke kartulite, õunte, kastanite kõvas koos jms auke noaga või kahviga.
 - Toiduainete soojendamisel anumatest, mis on kergesti süttivatest materialidest, nt. plastmass või paber, on vajalik jälgida ahju, et vältida süttimist.
 - Mikrolaineahjus süttimise vältimiseks on vajalik:
 - vältida toidu kinnikõrbemist pikaajalise valmistamise tulemusena;
 - panna toiduained mikrolaineahju sisse ilma pakendita, sh ilma fooliumpakendita;
 - süttimise korral, ärge avage ust, lülitage ahi välja ja eemaldage see vooluvõrgust.
 - Ärge lülitage tühja kambri ahju sisse. Ärge kasutage kambrit millegi hoidmiseks.
 - Mikrolaineahi ei ole ette nähtud toiduainete konserveerimiseks.
 - Ärge asetage toiduaineid otse kambri põhjale, kasutage resti või alust.
 - Alati kontrollige valmistoidu temperatuuri, eriti, kui see on ette nähtud lastele. Ärge andke rooga lauale kohe pärast valmisaamist, laske sellel enne serveerimist natuke jahtuda.
 - Pidage retseptidest kinni, kuid hoidke meeles, et mõned toiduained (moosid, pudingud, mandli-, suhkru, sukaaditaidised) lähevad kuumaks väga kiiresti.
 - Lühiühenduse ja ahju riknemise vältimiseks ärge laske veel sattuda ventilatsioonivadesse.

TÄHELEPANU:

- Toiduvalmistamiseks kasutage spetsiaalseid nõusid, ärge asetage toitu vahetult klaasalusele, v.a juhtumitel, kui see on retseptis soovitatud.
- Kasutage ainult nõusid, mis on ette nähtud mikrolaineahjus kasutamiseks.
- Mikrolaineahjus kasutamiseks sobivaid nõusid kasutage vastavalt tootja instruksioonidele.
- Pidage meeles, et toit kuumeneb mikrolaineahjus kiiremini kui nõud, seepärast olge ettevaatlik ahjust nõude väljatõstmise ajal, olge ettevaatlik kaane avamisel, väljuv aur võib tuua kaasa põletusi.
- Eemaldage eelnevalt toiduainetelt või nende pakenditelt metallribad ja foolium.
- **Mune kooses ei tohi mikrolaineahjus valmistada.**

KÜPSETUSNÕUD

TÄHELEPANU! Vaadake märgistust toidunõude peal ja järgige tootja instruksioone.

KÕLBLIK

- **Kuumakindel klaas** – sobivaim nõude materjal.
- **Soojakindel plastmass** – ärge kasutage rasva- ja suhkrurikka toidu valmistamiseks. Ärge sulgege tihedalt kaant.
- **Fajanss ja portselan** – sobivad mikrolaineahjus kasutamiseks, v.a kullatud, hõbetatud või dekoratiivsete metallelementidega.
- **Spetsiaalne pakend** (paber, plastmass jt.), mis on mõeldud mikrolaineahjus kasutamiseks – järgige rangelt tootja instruksioone.

KÕLBMATU

- **Kile toiduainete säilitamiseks, samuti ka soojakindlad kilekotid** – ei kõlba liha ja teiste toiduainete küpsetamiseks.
- **Metallnõud (alumiinium, mitteroostetav teras jt.) ning foolium*** - ekraneerivad mikrolaineid; kambri seinetega kokkupuutumisel võivad tekitada sädemeid ja lühiühendust toiduvalmistamise ajal.
- *Eri toidutükke, mis võivad üle küpseda või kõrbed, võib ühe fooliumikihiga katta. Ärge laske seintega kokkupuutumist, minimaalne vahe 2 cm.
- **Sulav plastmass** – ei sobi mikrolaineahjus kasutamiseks.
- **Lakitud nõud** – mikrolainete mõju all lakk võib lahti sulada.
- **Tavaline klaas (sh ka vigurlik ja paks)** – kõrge temperatuuri mõju all võib deformeerida.
- **Paberist ja puust nõud, vitspunutised** - kõrge temperatuuri mõju all võib süttida.
- **Melamiin nõud** – võib mikrolaineiirgust neelata, mis viib nõu lõhenemisele või termodestruktsioonile ja pikendab valmistamisaega.

KUIDAS TEADA SAADA, KAS NÕUD SOBIB MIKROLAINEAHJUS KASUTAMISEKS?

- Lülitage mikrolaineahi sisse ja keerake töötamise režiimide ümberlüüti täisvõimsusele (maksimaalne temperatuur), asetage nõud koos veega täidetud klaasiga (~ 250 ml) ahju 1 minutiks.
- Mikrolaineahjus kasutamiseks sobiv nõud säilitab oma temperatuuri samal ajal, kui vesi kuumeneb.

KASULIKUD NÕUANDED

- Toiduainete ühtlaseks küpsemiseks keerake need valmistamise ajal ümber.
- Ärge kasutage kitsa kaelaga nõusid, pudeleid, sest nad võivad lõhki minna.
- Ärge kasutage kraadiklaasi toiduainete temperatuuri mõõtmiseks. Kasutage ainult mikrolaineahjus kasutamiseks mõeldud termomeetreid.

ENNE TEENINDUSKESKUSE POOLE PÖÖRDUMIST

- Kui ahi ei lülitu sisse, kontrollige:
 - pistiku korrasolekut ja pinget olemasolu võrgus;
 - taimeri paigalduse õigsust;
 - kas uks on tihedalt suletud.

RAADIOHÄIRED

- Mikrolained võivad tekitada raadio- ja telesignaalihäireid.
- Häirete minimeerimiseks:
 - puhastage regulaarselt ukseid ja metallihendid;
 - paigutage televisoor ja raadio mikrolaineahjust võimalikult kaugemale;
 - orienteerige vastuvõtuantenn parima tulemuse saavutamiseks;
 - ühendage mikrolaineahi ja raadio erinevasse vooluvõrku.

PAIGALDUS

- Veenduge, et pakendi osad ei jäänud ahju sisse.
- Kontrollige, et ahju osad ei ole teisel damisel vigastatud:
 - uks ja tihendid;
 - korpus ja vaateaken;
 - kambri seinad.
- Kahtluste korral võtke ühendust müüjaga või pöörduge teeninduskeskuse poole.
- Asetage mikrolaineahi tasasele horisontaalsele pinnale, mis peaks toiduainete ja nõudega ahju kaalule vastu.
- Ärge paigutage ahju kuumaalikate lähedusse.
- Ärge midagi pange ahju peale, ärge katke ventilatsiooniväsiid.
- Ahju tõhusaks töötamiseks tuleb ventileerimiseks tagada vaba ruumi vähemalt: 20 cm ülevalt, 10 cm tagant ja 5 cm külgedest.

TOIDUVALMISTAMINE MIKROLAINEAHJUS

- Paigutage toidu paksemad osad aluse serva poole.
- Jälgige valmistamisega, paigaldage see minimaalseks, vajaduse korral järk-järgult pikendage aega. Väga pikka valmistamise korral võivad toiduained hakata suitsu ajama ning süttida.
- Katke toiduained – see tagab ühtlase küpsetamise ja ennetab laialiprimsimist.
- Ühtlaseks küpsetamiseks ja valmistamise kiirendamiseks keerake toiduained ümber ning segage need.
- Ümar/ovaalne vaagen tagab ühtlasema küpsetamise kui ruudukujuline/ristkülikuline vaagen.

KASUTAMINE

- Ühendage ahi vooluvõrku.
- Pange toiduained ahju ja sulgege uks.
- Pärast valmistamisaja paigaldamist (ja enne selle möödumist), pärast "Instant/start" nupu vajutamist on sisse lülitatud kambri sisemine valgustus ja ventilatsioon.
- Antud töötlemisaja möödumisel ilmub displeile tekst **End** ja iga 3 minuti pärast kostab helisignaali kuni ukse avamise või mis tahes nupu vajutamiseni.

VALMISTAMISE PEATAMINE

- Antud funktsioon võimaldab toiduaine valmidusastet kontrollida.
- Valmistamise katkestamiseks võib ka avada ust. Protsessi jätkamiseks, tuleb sulgeda ust ja vajutada "Instant/start" nuppu.
- Valmistamise katkestamise vajadusel vajutage "Pause/Cancel" nuppu.

MITMEFUNKTSIONAALNE REGULAATOR

- On mõeldud jooksva aja paigaldamiseks, töötlemisrežiimi ja -aja valimiseks.

JOOKSVA AJA PAIGALDUS

- Ahju vooluvõrku ühendamisel vilgub displei ja näitab **88:88**, 3 sekundi pärast ilmub - : -, mille pärast võib paigaldada jooksva aja.
- Kell töötab 24-tunnilises ajaformaadis.
- Vajutage "Clock" (AEG) nuppu.
- Vajutage mitmfunktsionaalset regulaatorit paigaldage jooksev aeg.
- Vajutage "Clock" nuppu uuesti.
- Vajutage mitmfunktsionaalset regulaatorit paigaldage jooksvad minutid.
- Korralduste kinnitamiseks vajutage "Clock" nuppu 5 sek.

VÕIMSUSE TASEMED

- Vajutage "Pause/Cancel" nuppu.
- Järgides tabelit, valige võimsus, vajutades "Power" nuppu, valige vajalik võimsus. Iga järgneva vajutusega näitab displei väljundvõimsust protsentides maksimaalsest: **100P→80P→60P→40P→20P**.
- Mitmfunktsionaalse regulaatoriga määrake töötlemise kestus (max. 99 min. 99 sek.).
- Vajutage "Instant/start" nuppu.

Nupu vajutus "Power"	DISPLEI NÄIT	VÕIMSUSE TASE
1	100P	Maksimaalne
2	80P	Kõrge
3	60P	Keskmine
4	40P	Madal
5	20P	Minimaalne

AUTOMAATNE VALMISTAMINE

- Mõnede toiduainete võimsuse tase ja valmistamisaeg määratakse automaatselt.
- Valige sobiv režiim keerates mitmfunktsionaalset regulaatorit.
- Vajutage "Instant/start" nuppu.

Displei näit	toiduained, millelele on häälestatud automaatne režiim	Programmeeritud valmistamisaeg, min : s
A1	Popkorn (85 g)	2:30
A2	Popkorn (100 g)	2:40
A3	Pitsa	1:00
A4	Supid (250 ml)	2:20
A5	Supid (500 ml)	4:40
A6	Kartul (0,45 kg)	7:12
A7	Kartul (0,65 kg)	10:12
A8	Kala (0,45 kg)	6:30

LAHTISULATAMINE KAALU JÄRGI

- "Defrost" nupuga valige toiduaine kategooria.
- Mitmfunktsionaalset regulaatoriga valige toiduaine kaal grammides (kajastub displeil).

Lahtisulatamise režiim	Toiduaine	Toiduaine kaal
D1	liha	100 g...2 kg
D2	linnuliha	200 g...3 kg
D3	mereannid	100 g...900 g

- Vajutage "Instant/start" nuppu.
- Kui töötlemise ajal kostavad helisignaaliid, siis tuleb toiduained ümber keerata.

GRILL/KOMBI REŽIIM

- Valige sobiv režiim "Grill/combi" nupu vajutusega.
- Mitmfunktsionaalse regulaatoriga paigaldage valmistamisaeg.
- Vajutage "Instant/start" nuppu.
- G-1 – 100%.
- KOMBI 1 režiimi soovitatatakse kala, kartuli valmistamiseks: 30% ajast – mikrolained, 70 % - grill.
- KOMBI 2 režiimi soovitatatakse omleti valmistamiseks, kartuli ja linnuliha küpsetamiseks: 55%– mikrolained, 45 % - grill.

VALMISTAMISE EDASILÜKKAMINE

- Võimaldab töötlemise alustamisega programmeerida.
- Vajutades "Power" nuppu, valige töötlemise režiim.
- Mitmfunktsionaalse regulaatoriga paigaldage töötlemise kestus.
- Näiteks, kui on vaja alustada toiduvalmistamist kell 10:30.
- Vajutage "Clock" nuppu ja hoidke 3 sekundi jooksul.
- Mitmfunktsionaalse regulaatoriga paigaldage 10 tundi.
- Vajutage "Clock" nuppu veel kord.
- Mitmfunktsionaalse regulaatoriga paigaldage 30 minutit.

- Vajutage "Clock" nuppu üks kord valmistamise alustamisaja kinnitamiseks.
- Kell 10:30 lülitub ahi automaatselt sisse.
- Määratud aja ülevaateks vajutage "Clock" nuppu ja laske see lahti.
- Selleks, et alustada tööd programmeeritud ajast varem, vajutage "Instant/start" nuppu.
- Programmeeritud ajast loobumiseks vajutage "Pause/Cancel" nuppu.
- Kui paigaldada töötlemise alustamise aeg, kuid mitte paigaldada jooksvat aega, ei lülita ahi valitud ajal sisse, vaid kxlavad helisignaaliid.

ÄRKJÄRGULINE PROGRAMMEERITAV VALMISTAMINE

- "Power" nupuga määrake võimsuse tase (protsentides maksimaalsest).
- Mitmefunktsionaalse regulaatoriga paigaldage valmistamisae.
- Valige sobiv režiim "Grill/combi" nupu vajutusega.
- Mitmefunktsionaalse regulaatoriga paigaldage valmistamisae.
- Vajutage "Instant/start" nuppu.

MÄRKUS: lahtisulatamist võib sisse lülitada ainult enne toiduvalmistamist.

AUTOMAATNE MEELDETULETUS

- Töötlemise lõppemisel kostavad lühikesed helisignaaliid iga 3 minuti pärast kuni avatakse uks või vajutakse "Pause/Cancel" nuppu.

BLOKEERING

- Ei lase lastel lülitada ahi sisse vanemate järelevalveta.
- Blokeeringu paigaldamiseks ja tühistamiseks tuleb vajutada ja hoida 3 sekundi jooksul "Pause/Cancel" nuppu.
- Blokeeringu paigaldamisel ilmub displeile OFF ja kostab helisignaali. Kõik nupud on blokeeritud.

PAUSE/CANCEL (STOP/KATKESTUS) FUNKTSIOON

- Antud funktsioon on mõeldud ahju töö peatamiseks või korralduste tühistamiseks.
- Ahju töö peatamiseks vajutage "Pause/Cancel" nuppu.
- Kui ahi töötab programmi järgi, vajutage "Pause/Cancel" nuppu korralduste tühistamiseks.

MÄRKUS: Valmistamisaeaga võib muutuda ka sõltuvalt toiduainete vormist, suurusest ja paigaldamisest. Suurte ja paksude tükide valmistamisae on pikem.

- Sulatage pakendita toiduained üles mitte sügavas anumast või restil koos pöörleva klaasalusega. Külmutades toiduained andke neile kompakset vormi.
- Katke toiduained spetsiaalsete kaante või killega, keerates selle äär üles liigse auru väljalaskmiseks. Olge ettevaatlik – kaaned lähevad väga kuumaks!
- Ühtlase töötlemise tagamiseks peab vahemaa toiduainete, nt köögiviljade, kekside vahel olema vähemalt 2.5 cm.
- Segamine on vajalik, sest toiduained kuumenevad rohkem nõude ääres.
- Asetage toiduained ühe kihiga, paksemad osad pange aluse serva poole.
- Tehke kõvas koores või kattes auke, et toiduained ei läheks lõhki.
- Soojendage ainult jahutatud valmisroad, segades läbi.
- Popkorn – järgige rangelt tootja instruksioone ning ärge jätke mikrolaineahju järelevalveta. Kui toit ei ole määratud ajaks valmis, katkestage valmistamist. Liigne pikaajaline töötlemine võib viia süttimiseni.

ETTEVAATUS: Ärge kasutage popkorni valmistamiseks pruune paberkotte ning ärge kasutage terade jääke. Ärge asetage pakendis popkorn vahetult klaasalusele, pange see taldrikule.

TÄHELEPANU: Töötlemise protsessi ajal tuleb toiduained mikrolaineahjus ümber keerata.

- Määratud aja möödumisel lülitub ahi automaatselt välja ja kostab helisignaali.

MÄRKUS: Avatud uksega ahi ei hakka tööle.

PUHASTAMINE JA HOOLDUS

- Enne puhastamist lülitage ahi välja ja eemaldage seade vooluvõrgust.
- Laske ahjul maha jahtuda.
- Pühkige juhtimispaneel, välised ja sisemised pinnad, klaasalus niiske riidega koos pesuvahendiga.
- Ärge kasutage abrasiivseid vahendeid ja materjale.
- Et saada lahti ebameeldivast lõhnast, valage anumasse, mis on kõlblik mikrolaineahjus kasutamiseks, klaas vett ühe sidruni mahlagast, pange ahju. Keerake taimer 5 minutile, töötamise režiimide lüliti maksimaalsesse asendisse. Kui ahi lülitub helisignaaliiga välja, siis tõstke anum välja ja pühkige kambriseinad kuiva riidega.

HOIDMINE

- Veenduge, et ahi on vooluvõrgust eemaldatud ja täielikult maha jahtunud.
- Täitke PUHASTAMISE JA HOOLDUSE nõudmised.
- Hoidke ahju praakil uksega kuivas puhtas kohas.

LV EKSPLUATÄCIJAS INSTRUKCIJA DROŠIBAS NORÄDĪJUMI

- Nepareiza ierices lietošana var radīt tās bojājumus un lietotāja veselības kaitējumus.
- Pirms pirmreizējās ieslēgšanas pārbaudiet, vai izstrādājuma tehniskais raksturojums uzlīmē atbilst elektrotīkla parametriem.
- UZMANĪBU!** Barošanas vada kontaktdakšai ir vads un zemējuma kontakts. Ierīci pieslēdziet tikai pie atbilstoši sazēmētām rozetēm.
- Izmantot tikai sadzīves nolūkos, atbilstoši dotajai ekspluatācijas instrukcijai. Izstrādājums nav paredzēts rūpnieciskai izmantošanai.
- Neizmantojiet ārpus telpām.
- Vienmēr atslēdziet ierīci no elektrotīkla pirms tās tīrīšanas, vai arī tad, ja Jūs to neizmantojat.
- UZMANĪBU!** Bērni bez uzraudzības drīkst izmantot krāsni tikai gadījumā, ja viņiem ir dotas attiecīgas un saprotamas instrukcijas par drošu krāsns izmantošanu un par bīstamībām, kuras var rasties ar to nepareizi rīkojoties.
- Neatstājiet ieslēgtu ierīci bez uzraudzības.
- Neizmantojiet piederumus, kas neietilpst pamatnes komplektā.
- Neizmantojiet ierīci ar bojātu barošanas vadu.
- UZMANĪBU!** Gadījumā, ja tiek bojātas durtiņas vai durtiņu blīvējumi, ar krāsni strādāt nedrīkst, kamēr kvalificēts speciālists nenovēršis bojājumu.
- UZMANĪBU!** Lai novērstu mikroviļņu starojuma paaugstinātu noplūdi, visi remontdarbi, kas ir saistīti ar jebkuru vāku noņemšanu, ir jāveic tikai speciālistiem.
- Sekojiet līdzi, lai barošanas vads neskartos klāt asām malām un karstām virsmām.
- Nevelciet aiz barošanas vada, negrieziet un neapīniet to ap ierīci.
- Mikroviļņu krāsni izmantojiet tikai produktu pagatavošanai. Nekādā gadījumā nežāvējiet tajā drēbes, papīru vai citus priekšmetus.
- UZMANĪBU!** Šķidrumus vai citus produktus nedrīkst uzsilīt slēgtos traukos, lai šie trauki neuzsprāgtu.
- Uzsilidot dzērienus ar mikroviļņu palīdzību, var notikt turpmāka stipra vārīšanās, tāpēc jābūt uzmanīgam ar traukiem.
- Lai produkti gatavošanas laikā neplaisātu, pirms ievietošanas krāsni iegrieziet ar nazi vai sadurtiet ar dakšu biezo mizu vai apvalku, piemēram, kartupeļiem, āboliem, kastaņiem, desai utml.
- Uzsilidot krāsni pārtikas produktus traukos no viegli uzliesmojošiem materiāliem, tādiem kā plastmasa vai papīrs, jāpieskata krāsns, lai nepieļautu aizdegšanos.
- Lai izvairītos no uzliesmošanas krāsns cepšskapī nepieciešams:
 - izvairīties no produktu piededzināšanas pārāk ilgast gatavošanas rezultātā;

- ievietot produktus mikroviļņu krāsnī bez iepakojuma, t.sk. bez folijas;
- uzliesmošanas gadījumā kamerā, neveriet vajā durvis, izslēdziet krāsni un atslēdziet to no elektrotīkla.
- Neieslēdziet krāsni ar tukšu kameru. Neizmantojiet kameru kaut kā glabāšanai.
- Mikroviļņu krāsns nav paredzēt produktu konservēšanai.
- Nenovietojiet produktus tieši uz kameras pamatnes, izmantojiet noņemamo režģi vai paliktņi.
- Vienmēr pārbaudiet gatavā ēdiena temperatūru, īpaši, ja tas ir paredzēts bērniem. Nepasniedziet ēdienu uzreiz pēc tā pagatavošanas, ļaujiet tam nedaudz atdzist.
- Sekojiet līdzi gatavošanas receptēm, bet atcerieties, ka daži produkti (džemi, pudiņi, pīrāga pildījums no mandeļiem, cukura vai sukādēm) uzkarst ļoti ātri.
- Lai izvairītos no īssavienojuma un krāsns bojājumiem, nepieļaujiet ūdens iekļūšanas ventilācijas atvērumos.

UZMANĪBU:

- Produktus ieteicams gatavot speciālos traukos, nevis likt tieši uz stikla traukiem, izņemot gadījumus, kas speciāli atrunāti ēdiena pagatavošanas receptē.
- Izmantojiet tikai tos traukus, kas paredzēti mikroviļņu krāsnīm.
- Trauki, kas derīgi lietošanai mikroviļņu krāsnīs, jālieto atbilstoši trauku ražotāja instrukcijai.
- Atcerieties, ka mikroviļņu krāsnī saturs uzkarst daudz ātrāk par trauku, tāpēc esiet īpaši uzmanīgi izņemot trauku no krāsns, uzmanīgi atveriet vāciņu, lai izvairītos no tvaika radītiem apdegumiem.
- Iepriekš no produktiem vai to iepakojumiem noņemiet metāliskās lentas un foliju.

• Mikroviļņu krāsnī nedrīkst gatavot veselās olas.

TRAUKU MIKROVIĻŅU KRĀSNĪM

UZMANĪBU! Vadieties pēc uz traukiem esošā marķējuma un ražotāja norādījumiem.

DERĪGI

- **Karstumizturīgs stikls** - vislabākais trauka materiāls gatavošanai mikroviļņu krāsnī.
- **Termoizturīga plastmasa** – šādā traukā nav ieteicams gatavot ēdienu ar augstu tauku vai cukura daudzumu. Nedrīkst izmantot blīvi aizveramus konteinerus.
- **Fajanss un porcelāns** - derīgs gatavošanai mikroviļņu krāsnī, izņemot traukus ar apzeltījumiem, apsudrabojuumiem un dekoratīviem metāliskiem elementiem.
- **Speciāls iepakojums** (papīra, plastmasas u.c.), paredzēts mikroviļņu krāsnīm – stingri sekojiet līdzi ražotāja norādījumiem.

NEDERĪGI

- **Plēve produktu glabāšanai, kā arī termoizturīgi polietilēna maisiņi** – nav derīgi gaļas un jebkuru citu produktu cepšanai.
- **Metāliski trauki (alumīnija, nerūsējošā tērauda u.c.) un pārtikas folija*** - ekranē mikroviļņus; saskarsmē ar karstumskapja sienām var izraisīt dzirkstejošanu un īssavienojumu gatavošanas laikā.
- *Var izmantot produkta atsevišķu daļu vienkārtīgai ietīšanai, lai izvairītos no pārkarsēšanas vai piedegšanas. Nepieļaujiet saskari ar sienām, attālums no tām nedrīkst būt mazāks par 2 cm.
- **Kūstoša plastmasa** - nav piemērota gatavošanai mikroviļņu krāsnī.
- **Lakoti trauki** - mikroviļņu iedarbības rezultātā laka var izkust.
- **Parastais stikls (t.sk. figūrstikls un biežais)** - augstas temperatūras iedarbībā var deformēties.
- **Papīrs, salmi, koks** - augstas temperatūras iedarbībā var uzliesmot.
- **Melamīna trauki** - var absorbēt mikroviļņu starojumu, kas izsauc to plaisāšanu vai termodestrukciju un būtiski palielina gatavošanas laiku..

KĀ NOTEIKT VAI TRAUKS IR DERĪGS MIKROVIĻŅU KRĀSNĪM?

- Ieslēdziet krāsni un uzstādiet darba režīmu slēdzi uz maksimālo jaudu (maksimālā temperatūra), ievietojiet krāsnī uz 1 minūti testējamo trauku un novietojiet blakus glāzi ar ūdeni (~ 250ml).
- Trauks, kas ir derīgs ēdiena pagatavošanai mikroviļņu krāsnī paliks tādā pašā temperatūrā, kā pirms ievietošanas krāsnī, tajā laikā, kad uzsils ūdens.

DERĪGI PADOMI:

- Vienmērīgai produktu uzsildīšanai apmaisiet tos gatavošanas laikā.
- Neizmantojiet traukus ar šauru kakliņu, pudeles, tās var uzsprāgt.
- Neizmantojiet termometrus produktu temperatūras mērīšanai. Izmantojiet tikai speciālos termometrus, paredzētus mikroviļņu krāsnīm.

PIRMS GRIEZIETIES SERVISĀ

- Ja krāsns neieslēdzas pārbaudiet:
 - vai rozete nav bojāta un strāvas esamību elektrotīklā;
 - taimera uzstādīšanas pareizību;
 - vai durvis ir cieši aiztaisītas.

RADIOTRAUCĒJUMI

- Mikroviļņi var izraisīt radio un televīzijas signāla traucējumus.
- Lai samazinātu traucējumus:
 - regulāri tīriet durvis un metāliskos blīvētājus;
 - televizoru un radio uzstādiet pēc iespējas tālāk no mikroviļņu krāsns;
 - noregulējiet antenu, lai sasniegtu vislabāko rezultātu.
 - pieslēdziet mikroviļņi krāsni un uztvērēju pie atsevišķām elektrotīkla līnijām.

UZSTĀDĪŠANA

- Pārliecinieties, ka mikroviļņu krāsnī nav iepakojamā materiāla un blakus priekšmetu.
- Pārbaudiet, vai transportēšanas laikā, nav bojāts:
 - durvis vai metāliskie blīvētāji;
 - korpuss un skatlodziņš;
 - kameras sienas.
- Jebkuru defektu konstatēšanas gadījumā neieslēdziet krāsni; griezieties pie pārdevēja vai servisa centrā.
- Novietojiet mikroviļņu krāsni uz līdzenas, horizontālas virsmas, pietiekami izturīgas, lai tā izturētu krāsns svaru ar traukiem un produktiem.
- Nenovietojiet krāsni blakus siltuma avotiem.
- Neko nenovietojiet uz krāsns. Neaizsedziet ventilācijas atvērumus.
- Normālai krāsns darbībai nepieciešams nodrošināt brīvu starpu ventilācijai: ne mazāku par 20 cm no augšas, 10 cm no aizmugurējā paneļa puses un ne mazāk par 5 cm no sāniem.

GATAVOŠANAS PAŅĒMIENI MIKROVIĻŅU KRĀSNĪ

- Produktus lieciet pēc iespējas lielākām daļām tuvāk trauka malām.
- Sekojiet līdzi gatavošanas laikam, uzstādiet minimālāko, nepieciešamības gadījumā pakāpeniski palielinot. Pārāk ilgas gatavošanas laikā produkti var sākt dūmot un aizdegties.
- Apsedziet produktus – tas nodrošinās pēc iespējas vienmērīgāku uzsildīšanu un novērsīs šķakstīšanos.
- Pēc iespējas vienmērīgākai uzsildīšanai un gatavošanas paātrināšanai apgrieziet un apmaisiet produktus.
- Apalje/ovālie trauki, atšķirībā no kvadrātveida/taisnstūrveida, nodrošina vienmērīgāku uzsildīšanu.

EKSPLUATĀCIJA

- Pieslēdziet krāsni pie elektrotīkla.
- Ievietojiet produktus krāsnī un aizveriet durvis.

- Pēc gatavošanas laika uzstādīšanas (un līdz tā iztecēšanai) pēc pogas "Instant/start" nospiešanas, ieslēgts kameras iekšējais apgaismojums un ventilācijas sistēma.
- Pēc uzdotā gatavošanas laika iztecēšanas uz displeja parādās uzraksts "End" un pēc katrām 3 minūtēm atskan vairāki skaņas signāli, kamēr netiek atvērta durvis vai nospiesta poga "Pause/Cancel".

GATAVOŠANAS APTURĒŠANA UZ LAIKU

- Dotā funkcija derīga produkta gatavības pakāpes pārbaudei.
- Apstrādi var pārtraukt, vienkārši atverot durvis. Ja to aizver un nospiež pogu "Instant/start", process turpināsies.
- Ja nepieciešams apstrādi apturēt, nospiediet pogu "Pause/Cancel".

DAUDZFUNKCIONĀLS REGULATORS

- Paredzēts tekošā laika uzstādīšanai, gatavošanas režīma un laika izvēlei.

TEKOŠĀ LAIKA UZSTĀDĪŠANA

- Pieslēdzot krāsni pie elektrotīkla displejs mirgo un rāda «88:88», pēc 3 sekundēm redzams «-:-», pēc tam var uzstādīt tekošo laiku.
- Pulkstenis darbojas v 24-pulksteņa režīmā.
- Nospiediet pogu "Clock" (LAIKS).
- Nospiediet daudzfunkcionālo regulatoru, uzstādiet tekošās stundas.
- Nospiediet pogu "Clock" vēlreiz.
- Nospiediet daudzfunkcionālo regulatoru, uzstādiet tekošās minūtes.
- Uzstādījumu apstiprināšanai nospiediet pogu "Clock" 5 sek.

JAUDAS LĪMENI

- Nospiediet pogu "Pause/Cancel".
- Vadoties pēc tabulas, uzstādiet jaudu, spiežot pogu "Power", uzstādiet nepieciešamo jaudu. Pēc katras sekojošās nospiešanas displejs rādīs izejošo jaudu % no maksimālās: **100P→80P→60P→40P→20P**.
- Ar daudzfunkcionālo regulatoru uzstādiet apstrādes ilgumu (max. 99 min. 99 sek.).
- Nospiediet pogu "Instant/start".

Cik reizes nospieš pogu "Power"	Displeja rādījums	Jaudas līmenis
1	100P	Maksimāls
2	80P	Augsts
3	60P	Vidējs
4	40P	Zems
5	20P	Minimāls

AUTOMĀTISKĀ GATAVOŠANA

- Dažu produktu gatavošanas jaudas līmenis un laiks tiek uzstādīts automātiski. Griežot daudzfunkcionālo regulatoru, izvēlieties piemērotāko režīmu.
- Nospiediet pogu "Instant/start".

Displeja rādījums	Produkti, kuriem uzstādīts automātiskais režīms	Ieprogrammētais gatavošanas laiks, min.: sek.
A1	Popkorns (85 g)	2:30
A2	Popkorns (100 g)	2:40
A3	Pica	1:00
A4	Zupas (250 ml)	2:20
A5	Zupas (500 ml)	4:40
A6	Kartupeļi (0,45 kg)	7:12
A7	Kartupeļi (0,65 kg)	10:12
A8	Zivs (0,45 kg)	6:30

ATKAUSĒŠANA AR SVARA UZSKAITI

- Ar pogu "Defrost" izvēlieties produkta kategoriju.
- Ar daudzfunkcionālo regulatoru izvēlieties produkta svaru gramos (redzams displejā).

Atkausēšanas režīms	Produkts	Produkta svars
D1	gaļa	100 g...2 kg
D2	putna gaļa	200 g...3 kg
D3	jūras produkti	100 g...900 g

- Nospiediet "Instant/start".
- Kad apstrādes laikā atskanēs skaņas signāli, produktus nepieciešams apgriezt.

REŽĪMS GRILLS / KOMBI

- Nospiediet pogu "Grill/combi", izvēlieties atbilstošu režīmu.
- Ar daudzfunkcionālo regulatoru uzstādiet gatavošanas laiku.
- Nospiediet pogu "Instant/start".
- Režīms "COMBI 1" ieteicams zivju, kartupeļu pagatavošanai: 30% laika – mikroviļņi, 70% - grills.
- Režīms "COMBI 2" ieteicams omlešu, ceptu kartupeļu un putna gaļas pagatavošanai: 55% mikroviļņi, 45% - grills.

GATAVOŠANAS SĀKUMA ATLIKŠANA

- Ļauj ieprogrammēt apstrādes laika sākšanu.
- Spiežot taustiņu "Power", izvēlieties apstrādes režīmu.
- Ar daudzfunkcionālo regulatoru uzstādiet apstrādes ilgumu.
- Piemēram, gatavošanu nepieciešams uzsākt "10:30".
- Nospiediet pogu "Clock" un turiet to 3 sekundes.
- Ar daudzfunkcionālo regulatoru uzstādiet plkst. 10.
- Nospiediet pogu "Clock" vēl vienu reizi.
- Ar daudzfunkcionālo regulatoru uzstādiet 30 minūtes.
- Nospiediet pogu "Clock" vienu reizi gatavošanas sākuma laika apstiprināšanai.
- "10:30" krāsns automātiski ieslēgsies.
- Uzstādītā laika apskatīšanai nospiediet un atlaidiet pogu "Clock".
- Lai darbību sāktu pirms ieprogrammētā laika, nospiediet pogu "Instant/start".
- Programmēšanas režīma atcelšanai nospiediet pogu "Pause/Cancel".
- Ja ievada gatavošanas sākuma laiku, bet neuzstāda tekošo laiku, noteiktajā laikā krāsns neieslēgsies, atskanēs tikai skaņas signālu sērija.

PAKĀPENISKA PROGRAMMĒJAMĀ GATAVOŠANA

- Ar pogu "Power" uzstādiet jaudas līmeni (% no maksimālā).
- Ar daudzfunkcionālo regulatoru uzstādiet gatavošanas laiku.

- Nospiediet pogu "Grill/combi", izvēlieties atbilstošu režīmu.
- Ar daudzfunkcionālo regulatoru uzstādi gatavošanas laiku.
- Nospiediet pogu "Instant/start".

PIEZĪME: atkausēšanas stadiju iespējams ieslēgt tikai pirms gatavošanas.

AUTOATGĀDINĀJUMS

Pēc apstrādes laika beigām katras 3 minūtes atskanēs skaņas signāls līdz brīdim, kamēr netiks atvērtas durvis vai nospiesta poga "Pause/Cancel".

BLOĶĒŠANA

- Neļauj maziem bērniem ieslēgt krāsni bez pieaugušo uzraudzības.
- Bloķēšanas uzstādīšanai un noņemšanai nepieciešams nospriest un turēt 3 sekundes pogu "Pause/Cancel".
- Pēc bloķēšanas uzstādīšanas uz displeja parādīsies "OFF", un atskanēs skaņas signāls. Visas pogas ir bloķētas.

FUNKCIJA PAUSE/CANCEL ("STOP/ATCELT")

- Dotā funkcija paredzēta krāsns darbības apturēšanai vai uzstādījumu atcelšanai.
- Nospiediet pogu "Pause/Cancel", lai apturētu krāsns darbību.
- Ja krāsns darbojas pēc programmas, nospiediet pogu "Pause/Cancel", lai atceltu uzstādījumus.

PIEZĪME: Gatavošanas laiks var mainīties atkarībā no produktu formas, izmēriem un novietojamības. Lieli vai biezi gabali gatavojas ilgāk, mazāki – ātrāk.

- Produktus atkausējiet bez iepakojuma ne dziļā paliktņā vai uz režģa mikroviļņu apstrādei, obligāti izmantojiet rotējošu stikla bļodu. Produktus saldētot, piedodiet tiem pēc iespējas kompaktāku formu.
- Apsedziet produktus ar speciāliem vāciņiem vai plastiku, atliecot vienu no stūriem tvaika izvadei. Vāciņi stipri uzkarst – apejieties ar tiem ļoti uzmanīgi!
- Attālumam starp produktiem, piemēram, dārzeņiem, ķeksēm utml. Jābūt ne mazākam par 2,5 cm, lai nodrošinātu vienmērīgu apstrādi.
- Apmasīšana nepieciešama, jo produkti pie trauka malām uzkarst stiprāk.
- Produktus lieciet tikai vienā kārtā, īpaši biezus gabalus novietojiet tuvāk malām.
- Caurduriet biezo mizu vai apvalku, lai izvairītos no produkta sprāgšanas.
- Sildiet tikai gatavus un atdzesētus produktus, apmaisiet tos.
- Popkorns – stingri ievērojiet ražotāja instrukciju un neatstājiet mikroviļņu krāsni bez uzraudzības. Ja produkts nav gatavs pēc paredzētā laika, apturiet gatavošanu. Pārāk ilga apstrāde var izraisīt aizdegšanos.

BRĪDINĀJUMS: popkorna pagatavošanai neizmantojiet iepakojumu no brūna papīra un necentieties izmantot graudu atlikumus. Nenovietojiet iepakojumu ar popkornu tieši uz stikla bļodas, lieciet to uz šķīvja.

UZMANĪBU: Apstrādes laikā mikroviļņu krāsni produktus nepieciešams apgriezt.

- Pēc uzstādītā laika iztecēšanas krāsns automātiski atslēgsies un atskanēs skaņas signāls.

PIEZĪME: Krāsns nestrādās, ja tās durvis būs atvērtas.

TĪRĪŠANA UN APKOPE

- Pirms tīrīšanas izslēdziet un atslēdziet krāsni no elektrotīkla.
- Ļaujiet krāsni pilnībā atdzist.
- Noslaukiet vadības paneli, ārējās un iekšējās virsmas, stikla trauku ar mitru drānu un mazgājamo līdzekli.
- Nepielietojiet agresīvas vielas vai abrazīvus materiālus.
- Lai novērstu nepatīkamās smakas, ielejiet dziļā traukā, kas ir derīga mikroviļņu krāsni, glāzi ar viena citrona sulu, un ievietojiet krāsni. Uzstādiet taimeru uz 5 minūtēm, darba režīmu slēdzi maksimālajā stāvoklī. Kad atskanēs skaņas signāls un krāsns atslēgsies, izņemiet trauku un kameras sienas noslaukiet ar sausu drānu.

GLABĀŠANA

- Pārliecinieties, ka krāsns ir atslēgta no elektrotīkla un pilnībā atdzisis.
- Izpildiet visus sadaļas „TĪRĪŠANA un APKOPE” norādījumus.
- Glabājiet krāsni ar nedaudz atvērtām durvīm, sausā, tīrā vietā.

EKSPLOATĀVIMO VADOVAS

PRIEMONĒS

- Neteisingas prietaiso naudojimas gali sugadinti jį ir padaryti žalą vartotojui.
 - Prieš pirmą įjungimą patikrinkite, at atitinka techninės gaminio charakteristikos, nurodytos ant lipduko, elektros tinklo parametrus.
- DĒMESIO!** Laido šakutē turi ižeminimo laidā ir kontakta. Junkite prietaisā tik prie atitinkanču ižemintu rozeču.
- Naudoti tik buitiniais tikslais atitinkamai su duotuju Vartotojo vadovu. Prietaisas neskirtas pramoniniam naudojimui.
 - Nenaudoti ne patalpose.
 - Visada atjunkite prietaisā nuo elektros tinklo, arna kai Jūs jo nenaudojate.
- DĒMESIO!** Naudotis krosnele be priežiūros leidžiama vaikams tik tais atvejais, jeigu jiems buvo tiksliai ir suprantamai išaiškinta, kaip saugiai naudotis krosnele, o taip pat, kokie gali būti neteisingo naudojimosi pavojai.
- Nepalikite įjungto prietaiso be priežiūros.
 - Nenaudokite reikmenų, neįeinančių į pristatymo komplektą.
 - Nenaudokite prietaiso su sugadintu laidu.
- DĒMESIO!** Jeigu krosnelės durelės arba durelių sandarinimo elementai buvo apgadinti, krosnele negalima naudotis iki tol, kol kvalifikuotas specialistas nepašalins gedimo.
- DĒMESIO!** Norėdami išvengti mikrobangų spinduliavimo pavojaus, visus remonto darbus, susijusius su bet kokio dangčio nuėmimu, turi atlikti tik specialistai.
- Stebėkite, kad maitinimosi laidas neliestų aštrių kampų ir karštų paviršių.
 - Netempkite už maitinimosi laido, nevsukite jo ir neviniokite aplink prietaisą.
 - Naudokite mikrobangų krosnelę tik produktų paruošimui. Jokiu būdu nedžiiovinkite joje drabužius, popierių, arba kitus daiktus.
- DĒMESIO!** Norėdami išvengti talpyklių sprogimo, nešildykite skysčius arba kitus produktus uždarytoje talpoje.
- Šildydami mikrobangomis gėrimus, turėkite omenyje, kad jie gali stipriai užvirti, todėl naudokites talpyklėmis atsargiai.
 - Tam, kad produktai nesprogtų paruošimo metu, prieš dedant i krosnį pradūrkite peiliu arba šakute sūdrią žievelę arba apvalkalą, pvz.: bulvių, obuolių kaštonų, dešros it t.t.
 - Šildydami krosnelėje maisto produktus induose iš degių medžiagų (pvz., plastikas arba popierius), stebėkite krosnelę, kad neleisti indams užsidegti.
 - Garo spintoje gaisro kilimo vengimui būtina:
 - vengti produktų pridegimo kas atsitinka kaip rezultatas pemelyg ilgo paruošimo;
 - dėti į mikrobangų krosnelę produktus be pakuotės, taip pat be folijos;
 - gaisro kilimo atveju, neatidarant durelių išjunkite krosnį ir atjunkite nuo elektros tinklo.
 - Nejunkite krosnies su tuščia kamera. Nenaudokite kameros saugoti kam nors.
 - Mikrobangų krosnelė neskirta produktų konservavimui.
 - Nedėkite produktų ant kameros dugno, naudokite nuimamas grotėles arba padugnę.
 - Visada tikrinkite paruošto maisto temperatūrą, ypač, jeigu jis skirtas vaikams. Nepaduokite patiekalo prie stalo iš karto po paruošimo, duokite jam truputi atvėsti.
 - Vadovaukitės paruošimo receptais, bet atsiminkite, kad kai kurie produktai (džemai, pudingai, prieskoniai pyragams iš migdolų arba cukraus) įkaista labai greitai.
 - Trumpo jungimo vengimui ir krosnies gedimo vengimui, neleiskite prasiskverbti vandeniui į ventilacijos skyles.

DĒMESIO: Produktus reikia ruošti specialiuose induose, o nedėti tiesiai ant stiklinio blydo, išskirus atvejų, specialiai nurodytų patiekalo paruošimo recepte.

- Produktus reikia ruošti specialiuose induose, o nedėti tiesiai ant stiklinio blydo, išskirus atvejų, specialiai nurodytų patiekalo paruošimo recepte.
- Naudokite indus skirtus specialiai mikrobangų krosnelėms.
- Tinkamais paruošimui mikrobangų krosnelėje indais reikia naudotis tiksliai su indų gamintojo duotomis instrukcijomis.
- Atsiminkite, kad mikrobangų krosnyje turinys pasišildo žymiai greičiau, negu indas, todėl būkite ypač atidūs ištraukiant indą iš krosnies, atsargiai atidarykite dangtį apsideginimo garu vengimui.
- Išanksto nuimkite nuo produktų arba jų pakuočių visas metalines juosteles ir foliją.
- **Mikrobangų krosnyje negalima ruošti nesudaužtų kiaušinių.**

INDAI MIKROBANGŲ KROSNELEI

DĒMESIO! Vadovaukites markeruotėmis ant indų ir gamintojo nuorodomis.

TINKAMI

- **Karščiui atsparus stiklas** – geriausia indų materialas mikrobangų krosnyje gaminti.
- **Termo atsparsu plastikas** – tokiuose induose neverta ruošti maistą su didelių riebalų arba cukraus tueriniu. Negalima naudoti tankiai užsidarančius konteinerius.
- **Porcelianas** – tinka mikrobangų ruošti mikrobangų krosnelyje, išskirus paauksintą, pasidabrintą arba indų su dekoratyviniais metaliniais elementais.
- **Speciali pakuotė** (popierinė, plastikinė ir kita), skirta mikrobangų krosnelėms – griežtai laikykites gamintojo nuorodų.

NETINKAMI

- **Plevėlė produktų saugojimui, o taip pat termoatsparūs paketai** – netinka mėsos ir kitų produktų paruošimui.
- **Metaliniai indai (aliuminio, iš nerūdijančio plieno ir kitu) ir maisto golijs*** - ekranuoja mikrobangos; kontaktuojant su kepimo spintos sienomis gali sudaryti žiežiebas ir trumpą jungimą paruošimo metu.
- *Galima naudoti apvinioti vienu sluoksniu atskirų produkto dalių perkaitinimo ir pridėjimo vengimui. Neleiskite kontaktuoti su sienomis, tarpas iki jų turi būti ne mažiau kaip 2 cm.
- **Lydyntys plastikai** – netinka paruošimui mikrobangų krosnyje.
- **Lakiruoti indai** – nuo mikrobangų poveikio lakas gali išsilydyti.
- **Paprastas stiklas (t.p. figurinis storas)** – nuo didelių temperatūrų poveikio gali deformuotis.
- **Popierius, šiaudelis, medis** – nuo didelių temperatūrų poveikio gali užsidegti.
- **Melamininiai indai** – gali sugerti mikrobangų spinduliavimą, kas sukelia jų sutrūkinėjimą arba termodestrukciją ir žymiai padidina paruošimo laiką.

KAIP NUSPREŠTI AR INDAS TINKA MIKROBANGŲ KROSNELEI?

- Įjunkite krosnį ir nustatykite darbo režimų jungiklį į maksimalią padėtį (maksimali temperatūra), įdėkite į krosnį 1 minutei testuojamą indą ir pastatykite šalia vandens stiklinę (~ 250 ml).
- Indas, tinkantis maisto paruošimui mikrobangų krosnyje liks tos pačios temperatūros kaip ir buvo prieš dedant į krosnį, tuo metu kai vanduo įkais.

NAUDINGI PATARIMAI

- Tolygiam maisto šildymuisi sukinėkite juos paruošimo metu.
- Nenaudokite indų su siauru kakleliu, butelius, todėl kad jie gali sprogti.
- Nenaudokite termometrų produktų temperatūros matavimui. Naudokite tik specialius termometrus, skirtus mikrobangų krosnelėms.

PRIEŠ KREIPDAMIESI Į SERVISO CENTRĄ

- Jeigu krosnis neįsijungia patikrinkite:
 - rozetės tvarkingumą ir ar yra elektros tinkle įtampa;
 - atbulinio laikmačio nustatymo teisingumą;
 - ar tvirtai uždarytos durelės.

RADIOTRUKDŽIAI

- Mikrobangos gali sudaryti trukdžius priimant tele- arba radiosignalus.
- Tam kad padaryti trukdžius minimaliais:
 - pastoviai valykite dureles ir metalinius tankintuvus;
 - statykite televizorių ir radio imtuvą kuo toliau nuo mikrobangų krosnies;
 - suorenuokite priemimo anteną geriausio rezultato pasiekimui;
 - pajunkite mikrobangų krosnį ir radio bangų gavėją prie skirtingų elektros tinklo linijų.

NUSTATYMAS

- Įsitikinkite, kad krosnies viduje nėra pakavimo materialų ir pašalinių daiktų.
- Patikrinkite, ar nepažeisti transportavimo metu :
 - durelės ir metaliniai tankintuvai;
 - korpusas ir apžiūros langas;
 - kameros sienos.
- Suradus bet kokius defektus neįjunkite krosnies; kreipkitės į pardavėją arba į serviso centrą.
- Nustatykite mikrobangų krosnį ant lygaus horizontalaus paviršiaus, pakankamai tvirto, tam kad išlaikytų krosnies svorį su indais ir produktais.
- Nestatykite krosnies šalia šilumos šaltinių.
- Nieko nedėkite ant krosnies. Neuždenkite ventiliacijos skylių.
- Normaliam krosniaes darbui butina kad būtų vietos ventiliacijai: ne mažiau kaip: 20 cm iš viršaus, 10 cm iš galinio panelio pusės ir ne mažiau kaip 5 cm iš šoninių pusių.

RUOŠIMO PRIEMONĖS MIKROBANGŲ KROSNYJE

- Dėstikite produktus storesnėmis pusėmis arčiau indo krašto.
- Stebėkite paruošimo laiką, užduokite jį minimaliai, po mažu didindami jeigu reikia. Jeigu labai ilgai ruošti produktai gali uždūmyti ir užsidegti.
- Uždenkite produktus – tai užtikrina tolyginį pašildymą ir užkirs kelią taškymuisi.
- Tolygiam [ašildymui ir paruošimo pagreitinimui sukinėkite ir maišikite produktus.
- Apvalius indus, atskirai nuo kvadratinų/stačiakampių, taip aprūpina tolyginį pašildymą.

DARBAS

- Pajunkite krosnį prie elektros tinklo.
- Patalpinkite produktus į krosnį ir uždarykite dureles.

PARUOŠIMO PRISTABYMAS

- Ši funkcija naudinga produkto paruošimo patikrinimui.
- Apdirbimą galima nutraukti, tiesiog atidarius dureles. Jeigu jas uždaryti ir paspausti mygtuką "Instant/start", procesas bus pratęstas.

DAUGIAFUNKCINIS REGULIATORIUS

- Skirtas einamo laiko nustatymui, režimo ir laiko apdirbimui išrinkti.
- Po paruošimo laiko nustatymo (ir iki jo baigimosi) po "Instant/start" mygtuko paspaudimo įjungti kameros vidinis apšvietimas ir ventiliacijos sistema.
- Užduotam apdirbimo laikui pasibaigus displėjuje atsiranda užrašas "End" ir kas 3 minutes pasigirsta garso signalų serija, kol nebus atidarytos durelės arba paspaustas bet "Pause/Cancel" mygtukas.
- Prireikus nutraukti apdirbimą, paspauskite mygtuką "Pause/Cancel".

EINAMOJO LAIKO NUSTATYMAS

- Pajungus krosnį prie elektros tinklo displėjus mirkčioja ir «88:88», už 3 sekundžių atsivaizduoja «-:-», po ko galima nustatyti einamąjį laiką.
- Laikrodis dirba 24-valandų formate.
- Paspauskite mygtuką "Clock" (LAIKAS).

- Paspauskite daugiafunkcinį reguliatorių, nustatykite einamąsias valandas.
- Paspauskite mygtuką "Clock" dar kartą.
- Paspauskite daugiafunkcinį reguliatorių, nustatykite einamąsias minutes.
- Tam, kad patvirtintumėte paspauskite mygtuką "Clock" 5 sek.

GALINGUMO LAIPSNIAI.

- Paspauskite mygtuką "Pause/Cancel".
- Vadovaudamiesi lentele, nustatykite galingumą, spaudžiant mygtuką "Power", nustatykite reikalaujamą galingumą. Po kiek vieno paspaudimo displejus rodydys išeinamą galingumą % nuo maksimalaus: **100P→80P→60P→40P→20P**.
- Daugiafunkciniu reguliatoriumi nustatykite apdirbimo trukmę (max. 99 min. 99 sek.).
- Paspauskite mygtuką "Instant/start".

Kiek kartų paspausti mygtuką "Power"	Displėjaus parodymai	Galingumo laipsnis
1	100P	Maksimalus
2	80P	Aukštas
3	60P	Vidutinis
4	40P	Žemas
5	20P	Minimalus

AUTOMATINIS PARUOŠIMAS

- Galingumo lygis ir paruošimo laikas kai kurių produktų užduodamas automatiškai.
- Paspauskite daugiafunkcinį reguliatorių, išsirinkite tinkamą režimą.
- Paspauskite mygtuką "Instant/start".

Displėjaus parodymai	Produktai, kuriems nustatytas automatinis režimas	Užprogramuotas paruošimo laikas, min.: sek.
A1	Popkornas (85g)	2:30
A2	Popkornas (100g)	2:40
A3	Pica	1:00
A4	Sriubos (250ml)	2:20
A5	Sriubos (500ml)	4:40
A6	Bulvės (0,45kg)	7:12
A7	Bulvės (0,65kg)	10:12
A8	Žuvis (0,45kg)	6:30

ATŠILDYMAS [SKAITANT SVORĮ]

- Mygtuku "Defrost" išsirinkite produkto kategoriją.
- Naudodami daugiafunkcinį reguliatorių nustatykite maisto produkto svorį gramais (parodoma displejuje).

Atšildymo režimas	Produktas	Produkto svoris
D1	Mėsa	100 g...2 kg
D2	Paukštiena	200 g...3 kg
D3	Jūros produktai	100 g...900 g

- Paspauskite "Instant/start".
 - Kai apdirbimo metu praskambės garso signalai, produktus reikia apversti.
- #### REŽIMAS GRIL / KOMBI
- Paspauskite mygtuką "Grill/combi", išsirinkite reikalingą režimą.
 - Daugiafunkciniu reguliatoriumi nustatykite paruošimo laiką.
 - Paspauskite mygtuką "Instant/start".
 - G-1 – 100%.
 - Režimas "COMBI 1" rekomenduojama žuvies, bulvių paruošimui: 30% laiko – mikrobangos, 70% - grilis.
 - Režimas "COMBI 2" rekomenduojamas omletų paruošimui, bulvių ir paukštienos apkepimui: 55% - mikrobangos, 45% - grilis.

PARUOŠIMO PRADŽIOS ATIDĖJIMAS

- Leidžia užprogramuoti apdirbimo laiko pradžią.
- Spausdami mygtuką "Power" pasirinkite maisto paruošimo režimą.
- Naudodami daugiafunkcinį reguliatorių nustatykite maisto paruošimo trukmę.
- Pavyzdžiui, būtina pradėti paruošimą "10:30".
- Paspauskite mygtuką "Clock" ir laikykite 3 sekundžių bėgyje.
- Daugiafunkciniu reguliatoriumi nustatykite 10 valandų.
- Paspauskite mygtuką "Clock" dar vieną kartą.
- Daugiafunkciniu reguliatoriumi nustatykite 30 minučių.
- Paspauskite mygtuką "Clock" vieną kartą tam, kad patvirtintumėte paruošimo pradžios laiką.
- "10:30" krosnis automatiškai įsijungs.
- Tam, kad Jūs galėtumėte pažiūrėti užduotąjį laiką paspauskite ir paleiskite mygtuką "Clock".
- Tam, kad pradėtumėte darbą anksčiau negu yra užprogramuota, paspauskite mygtuką "Instant/start".
- Tam, kad nutraukti programavimo režimą paspauskite mygtuką "Pause/Cancel".
- Jeigu nustatyti maisto paruošimo pradžią, bet nenustatyti esamą laiką, nustatytu laiku krosnelė neįsijungs, ir Jus išgirsite garso signalų seriją.

PROGRAMUOJAMO MAISTO PARUOŠIMO ETAPAI

- Mygtuku "Power" nustatykite galingumo lygį (% nuo maksimalaus).
- Daugiafunkciniu reguliatoriumi nustatykite paruošimo laiką.
- Paspauskite mygtuką "Grill/combi", išsirinkite reikalingą režimą.
- Daugiafunkciniu reguliatoriumi nustatykite paruošimo laiką.
- Paspauskite mygtuką "Instant/start".

PASTABA: atšildymo stadiją galima įjungti tik prieš paruošimą.

AUTOPRIMINIMAS

- Apdirbimui baigus kas 2 minutes skambės garso signalai iki tol, kol nebus atidarytos durelės arba paspaustas "Pause/Cancel" mygtukas.

BLOKAVIMAS

- Neleidžia mažiems vaikams įjungti krosnį be suaugusiųjų priežiūros.
- Blokavimo nustatymui ir nuėmimui būtina paspausti ir laikyti 3 sekundžių bėgyje mygtuką "Pause/Cancel".
- Po blokavimo nustatymo displejuje atsiradęs "OFF", ir pasigirs garso signalas. Visi mygtukai užblokuoti.

FUNKCIJA PAUSE/CANCEL ("STOP/NUMETIMAS")

- Duotoji funkcija tarnauja krosnies darbo sustabdymui arba nustatymų nutraukimui.
- Paspauskite mygtuką "Pause/Cancel", tam, kad pristabdyti krosnies darbą.

- Jeigu krosnis dirba pagal programą, paspauskite mygtuką "Pause/Cancel", tam, kad nutraukti nustatymus.

PASTABA: Paruošimo laikas taip pat gali būti keičiamas priklausant nuo formos, dydžių ir produktų išdėstymo. Dideli ir stori gabalai ruošiami ilgiau, o maži – greičiau.

- Atšildykite produktus be pakuotės negalioje padugnėje arba ant mikrobangų apdirbimo grotelių, būtinai naudojant besisukanti stiklinį indą. Užšaldant produktus, pridukite jiems kiek galima kompaktinę formą.
- Uždenkite produktus specialiais dangčiais arba plastikų, atlenkus vieną iš kampų perviršinto garo išleidimui. Dangčius labai stipriai įkaista – elkitės su jomis atsargiai!
- Atstumas tarp produktų, pavyzdžiui, daržovių, keksų ir t.t. turi būti ne mažiau kaip 2,5 cm, tam, kad aprūpinti tolyginį apdirbimą.
- Maišymas būtinas, nes prie indų kraštų produktai pasiūdo stipriau.
- Dėstikite produktus tik į vieną sluoksnį, storesnius gabalus dėkite arčiau kraštų.
- Persmeikite tankią žievę arba žievele, tam, kad išvengti produkto plėšymo.
- Šildykite tik paruoštus ir atšildytus produktus, maišant juos.
- Popkornas – griežtai laikykitės gamintojo instrukcijos, ir nepalikite mikrobangų krosnelės be priežiūros. Jeigu protas neparuoštas per duotąjį laiką, nutraukite paruošimą. Labai ilgas paruošimas gali sukelti gaisrą.

ĮSPĖJIMAS: Nenaudokite popkorno paruošimui paketų iš rudo popieriaus ir nebandykite naudoti grūdų likučių. Nedėstykite pakuotės su popkornu betarpiškai ant stiklinio indo, dėkite jį į lėkštę.

DĖMESIO: Apdirbimo proceso metu mikrobangų krosnelėje produktus reikia vartyti.

- Nustatytam laikui išsekus krosnis automatiškai atsijungs ir pasigirs garso signalas.

PASTABA: Kai durelės yra atidarytos, krosnis nedirbs.

VALYMAS IR PRIEŽIŪRA

- Prieš valymą išjunkite ir atjunkite krosnį nuo elektros tinklo.
- Duokite krosniai pilnai atvėsti.
- Nuvalykite valdymo skydą, išorinius ir vidinius paviršius, stiklinį indą drėgnu audiniu su valymo priemone.
- Nenaudokite agresyviais medžiagas arba abrazyvines medžiagas.
- Tam, kad panaikinti nemalonų kvapą, įpilkite į koki nors gilų indą, tinkantį mikrobangų krosniai, stiklinę vandens su sultimis iš citrinos, ir padėkite į krosnį. Nustatykite atbulinį laikmatį 5 minutėms, darbo režimų jungiklį į maksimalią padėtį. Kai išgirsite garsą ir krosnis atsijungs, ištraukite indą ir išvalykite kameros sienas sausa medžiaga.

SAUGOJIMAS

- Įsitinkite kad krosnis atjungta nuo elektros tinklo ir pilnai atvėso.
- Padarykite visus reikalavimus skyriaus „VALYMAS IR PRIEŽIŪRA“.
- Saugokite krosnį su atidaromis durelėmis sausoje švarioje vietoje.

☑ KEZELÉSI ÚTMUTATÓ

FONTOS BIZTONSÁGI INTÉZKEDÉSEK

- A készülék helytelen kezelése meghibásodáshoz, és a használó egészségkárosodásához vezethet.
- A készülék első használatát előtt, ellenőrizze egyeznek-e a címkén megjelölt műszaki adatok az elektromos hálózat adataival.
- FIGYELEM!** A csatlakozódugó vezetékkel és földeléssel van ellátva. Csatlakoztassa a készüléket csakis megfelelő leföldelt konnektorhoz.
- A készülék nem való nagyüzemi, csak házi használatra.
- Szabadban használni tilos.
- Használaton kívül, vagy tisztítás előtt mindig áramtalanítsa a készüléket.
- FIGYELEM!** Gyerekek felügyelet nélkül csak akkor használhatják a mikrohullámú sütőt, amennyiben részükre érhető utasításokat kaptak a sütő biztonságos használatáról és elmagyarázták nekik, milyen veszély érhetik őket, amennyiben nem használják megfelelőképpen a mikrohullámú sütőt.
- Soha ne hagyja felügyelet nélkül a bekapcsolt készüléket.
- Ne használjon készlethez nem tartozó tartozékot.
- Ne használja a készüléket sérült vezetékkel.
- FIGYELEM!** A mikrohullámú sütő ajtajának, vagy ajtótomitójének károsodása esetén a sütőt használni tilos, amíg szakképzett specialista meg nem javítja azt.
- FIGYELEM!** A mikrohullámú kisugárzás túlzott veszteségének elkerülése érdekében minden, bármilyen fedél levételével kapcsolatos javítási munkát szakembernek szükséges végezni.
- Figyeljen, hogy a vezeték ne érintkezzen éles, forró felülettel.
- Ne húzza, tekerje, csavarja a vezetékét a készülék köré.
- Csak élelmiszerek elkészítéséhez használja a mikrohullámú sütőt. Semmi esetre sem szárítson benne ruhát, papírt, vagy egyéb tárgyat.
- FIGYELEM!** Folyadékot, vagy egyéb ételt zárt edényben melegíteni tilos, az edény robbanásának elkerülése érdekében.
- Italok melegítése mikrohullámok segítségével további erős forráshoz vezethet, ezért az edények kezelésekor különösen figyelni szükséges.
- Az élelmiszerek, pl. alma, burgonya, gesztenye, kolbász stb. elkészítése alatt képződő megvasadás elkerülése érdekében, berakás előtt szűrja meg azok héját villa, vagy kés segítségével.
- Amennyiben az élelmiszert gyúlékony anyagból (plasztik, vagy papír) készült edényben melegíti felügyelni szükséges a folyamatot annak érdekében, hogy megelőzzük a sütő kigyulladását.
- A sütő belsejében keletkezett tűz elkerülése érdekében, a következőkre kell figyelni:
 - kerülje el az élelmiszer leragadását, ami túl hosszán tartó elkészítés következtében merülhet fel;
 - csomagolás, fólia nélkül rakja az élelmiszert a mikrohullámú sütőbe;
 - a sütő belsejében keletkezett tűz esetén, bezárva tartva a sütő ajtaját kapcsolja ki és áramtalanítsa a sütőt.
- Ne kapcsolja be a sütőt üresen. Ne használja a sütőt tárolásra.
- A mikrohullámú sütő nem alkalmas élelmiszerek konzerválására.
- Ne rakja az élelmiszert közvetlenül a sütő aljára, használja a levehető rácsot, vagy alátétet.
- Mindig ellenőrizze a készétel hőmérsékletét különösen, ha gyerekek részére készült. Ne tálalja az ételt rögtön az elkészítése után, hagyja kissé kihűlni.
- Kövesse a receptekben található utasításokat, de emlékezzen arra, hogy némely élelmiszerek (dzsem, puding, mandulás, cukros töltelékek) nagyon gyorsan melegegnek.
- Rövidzárlat és a sütő meghibásodása elkerülése érdekében ne engedje, hogy víz kerüljön a szellőző nyílásokba.
- FIGYELEM:**
 - Az élelmiszereket speciális edényben szükséges készíteni, nem rakni azokat közvetlenül üveg edényre, kivéve, ha más van előírva az utasításban.
 - Csakis mikrohullámú sütő használatára tervezett edényt használjon.
 - A mikrohullámú sütőben való elkészítésre alkalmas edényt szigorúan az edény gyártó utasításainak megfelelően használja.
 - Emlékezzen arra, hogy a mikrohullámú sütőben az élelmiszer sokkal gyorsabban melegszik, mint az edény, ezért legyen óvatos, amikor kivesszi az edényt, gőz okozta égések elkerülése érdekében, óvatosan nyissa fel a fedőt.
 - Az élelmiszerről, vagy csomagolásáról előzőleg távolítsa el a fémpántokat és fóliát.
 - **A mikrohullámú sütőben egész tojást készíteni tilos.**

MIKROHULLÁMÚ SÜTŐ RÉSZÉRE TERVEZETT EDÉNY

FIGYELEM! Kövesse az edény címkéjén található utasításokat, és a gyártó utasításait.

ALKALMAS

- **Hőálló üveg** – legmegfelelőbb anyag a mikrohullámú sütő részére készült edény részére.
- **Hőálló plasztik** – ilyen edényben nem célszerű magas zsír-, és cukortartalmú ételt készíteni. Szorosan zárt konténerek használata tilos.
- **Porcelán és fajansz** - alkalmasak mikrohullámú sütőben való készítésre, kivéve az aranyozott, ezüstözött, vagy fémdíszítéssel ellátott edényeket.
- **Speciális csomagolás** (papír, műanyag, stb.), mikrohullámú sütők részére tervezett – szigorúan betartani a gyártó útmutatásait.

NEM ALKALMAS

- **Élelmiszer tartósításhoz használt fólia, valamint hőálló zacskók** – nem alkalmasak hús, és egyéb élelmiszer sütéséhez.
- **Fémedény (alumínium, rozsdamentes acél, stb.) és élelmiszer fólia*** - visszaverik a mikrohullámokat; a sütő falával való kontaktus esetén szikrázást hívhat elő, és rövidzárlathoz vezethet elkészítés közben.
- *Túlmelegedés és leragadás elkerülése érdekében fel lehet használni az élelmiszer egyes részei csomagolására. Ne engedje a fallal való kontaktust, hagyjon legalább 2 cm távolságot.
- **Olvadó plasztik** – nem alkalmas mikrohullámú sütőben való használatra.
- **Lakkozott edény** – a mikrohullámok hatása alatt a lakk elolvadhat.
- **Szokásos üveg (beleértve a figurális és vastag üveget)** – magas hőmérséklet hatása alatt deformálódhat.
- **Papír, faforgács, fa** - magas hőmérséklet hatása alatt felgyúlhat.
- **Melamedény** – magába tudja szívni a mikrohullámú kisugárzást, ami hasadáshoz, vagy termodestrukciónak vezet, és jelentősen növeli az elkészítés idejét.

HOGYAN LEHET KIDERÍTENI, MEGFELEL-E AZ EDÉNY MIKROHULLÁMÚ SÜTŐBEN VALÓ HASZNÁLATRA?

- Kapcsolja be a sütőt és állítsa a működési üzemmód kapcsolót maximális teljesítményre (maximális hőmérséklet), rakja be a sütőbe a tesztelt edényt 1 percre és tegyen mellé egy pohár vizet (~ 250 ml).
- Az alkalmas edény hőmérséklete ugyan olyan marad, mint amikor be lett rakva, miközben a víz megmelegszik.

HASZNOS TANÁCSOK

- Az élelmiszerek egyenletes melegítése érdekében elkészítés közben forgassa azokat.
- Ne használjon keskeny szájú edényt, üveget, mivel felrobbanhat.
- Az élelmiszerek hőmérsékletének kiderítése érdekében ne használjon hőmérőt. Csak speciális, mikrohullámú sütő részére tervezett hőmérőt.

MIELŐTT SZERVIZHEZ FORDULNA

- Amennyiben a sütő nem kapcsol be, ellenőrizze:
 - a konnektor működőképességét, és van-e áram a hálózatban;
 - az időmérő beállításának helyességét;
 - szorosan van-e bezárva az ajtó.

RÁDIÓZAVAROK

- A mikrohullámok zavarokat hívhatnak elő tele-, vagy rádiójelek fogása közben.
- A zavarok minimálisra való csökkentése érdekében:
 - rendszeresen tisztítsa az ajtót, és a fémtömítőket;
 - a televíziót és rádiót minél messzebbre helyezze el a mikrohullámú sütőtől;
 - a legjobb eredmény érdekében állítsa be a rádióantennát.
 - a mikrohullámú sütőt és rádiót különböző konnektorokhoz csatlakoztassa.

BEÁLLÍTÁS

- Győződjön meg arról, hogy a sütő belsejében nincs csomagoló anyag és idegen tárgy.
- Ellenőrizze, szállítás közben, nem-e sérült meg:
 - az ajtó és a fémtömítő;
 - készülékház és az ablak;
 - a falak belső felülete.
- Bármilyen meghibásodás felmerülése esetében ne kapcsolja be a sütőt; forduljon az eladóhoz, vagy szakszervizhez.
- Állítsa a mikrohullámú sütőt egyenes, vízszintes, annyira stabil felületre, hogy kibírja a sütőt az élelmiszerekkel és edénnyel együtt.
- Ne állítsa a sütőt hőforrás közelében.
- Ne rakjon semmit a sütő tetejére. Ne takarja le a szellőző nyílásokat.
- A sütő normál működésének biztosítása érdekében, szellőzéshez elegendő teret kell biztosítani: nem kevesebbet: 20 cm-nél felülről, 10 cm-nél a hátsó panel felől, és 5 cm-nél mindkét oldal felől.

MIKROHULLÁMÚ SÜTŐBEN VALÓ KÉSZÍTÉSI MÓD

- Rakja az élelmiszert vastagabb részeivel az edény széle felé.
- Figyeljen az elkészítési időre, állítsa minimálisra az időmérőt, és úgy fokozza szükség esetén. Túl hosszán tartó készítés következtében az élelmiszer füstölhet és felgyúlhat.
- Fedje le az élelmiszert – ez biztosítja az egyenlő melegedést, és megelőzi a freccsenést.
- Az egyenletesebb melegedés és gyorsabb elkészítés érdekében forgassa és kavargassa az élelmiszert.
- A kocka/négyszögletes edényektől eltérően, a kör/ovális edények is biztosítják az egyenletesebb melegedést.

HASZNÁLATI UTASÍTÁS

- Csatlakoztassa a sütőt elektromos hálózathoz.
- Rakja az élelmiszert a sütőbe és zárja be az ajtaját.
- Miután meg van adva az elkészítés ideje (és annak elteltéig), miután meg lett nyomva a "Instant/start" gomb, bekapcsol a sütő belső világítása és a szellőző rendszer.
- A megadott idő leteltével a képernyőn megjelenik az "End" felirat és 3 percenként egy sor hangjelzés hangzik, amíg nem lesz kinyitva az ajtó, vagy megnyomva bármely gomb.

MEGSZAKÍTOTT KÉSZÍTÉS

- Az adott funkció a termék elkészültség fokozatának ellenőrzésére hasznos.
- A megművelést meg lehet szakítani, ha kinyissuk az ajtót. Miután bezárjuk és megnyomjuk a "Instant/start" gombot, a folyamat folytatódik.
- A megművelés megszakítása esetén nyomja meg a "Pause/Cancel" gombot.

TÖBBFUNKCIÓS SZABÁLYZÓ

- A jelenlegi idő beállítását, üzemmód és időválasztást biztosít.

A JELENLEGI IDŐ BEÁLLÍTÁSA

- A sütő villanyosítása közben a képernyő pislog és «88:88» mutat, 3 másodperc múlva «-:-» mutat, miután be lehet állítani a jelenlegi időt.
- Az óra 24-órás formátumban működik.
- Nyomja meg a "Clock" (IDŐ) gombot.
- Nyomja a többfunkciós szabályzót állítsa be a jelenlegi órát.
- Nyomja meg még egyszer a "Clock" gombot.
- Nyomja a többfunkciós szabályzót állítsa be a jelenlegi perceket.
- A beállítások igazolása érdekében nyomja meg a "Clock" gombot 5 sz.

TELJESÍTMÉNYSZINTEK

- Nyomja meg a "Pause/Cancel" gombot.
- Használva a táblázatot állítsa be a teljesítményszintet megnyomva a "Power" gombot, és adja meg a megfelelő szintet. Minden egyes következő nyomásnál a képernyő a kiinduló teljesítményt %-ban fogja mutatni a maximálístól számítva: **100P→80P→60P→40P→20P**.
- A többfunkciós szabályzó segítségével adja meg a megművelés idejét (max. 99 min. 99 sz.).

- Nyomja meg a "Instant/start" gombot.

Nyomások száma "Power"	Képernyő kimutatása	Teljesítmény szint
1	100P	Maximális
2	80P	Magas
3	60P	Közepes
4	40P	Alacsony
5	20P	Minimális

AUTOMATIKUS ELKÉSZÍTÉS

- A teljesítményszint és az egyes termékek elkészítése automatikusan állítódnak.
- Nyomja a többfunkciós szabályzót válassza ki a megfelelő üzemmódot.
- Nyomja meg a "Instant/start" gombot.

A képernyő mutatója	Az automatikusan beállított üzemmóddal rendelkező termékek	Beállított elkészítési idő, perc.:másodperc.
A1	Popcorn (85 g)	2:30
A2	Popcorn (100 g)	2:40
A3	Pizza	1:00
A4	Levesek (250 ml)	2:20
A5	Levesek (500 ml)	4:40
A6	Burgonya (0,45 kg)	7:12
A7	Burgonya (0,65 kg)	10:12
A8	Hal (0,45 kg)	6:30

TÖMEG SZERINTI KIFAGYASZTÁS

- A "Defrost" gomb segítségével válassza ki a termék kategóriát.
- A többfunkciós szabályzó segítségével válasszon terméksúlyt grammokban (megjelenik a kijelző panelen).

Kifagyási üzemmód	Termék	Termék tömege
D1	Hús	100 g...2 kg
D2	Szárnyas	200 g...3 kg
D3	Tenger gyümölcse	100 g...900g

- Nyomja meg a "Instant/start" gombot.
- Amikor a művelet közben elhangzanak a hangjelzések a terméket szükséges megfordítani.

GRILL / KOMBI ÜZEMMÓD

- Megnyomva a "Grill/combi" gombot, válassza ki a megfelelő üzemmódot.
- A többfunkciós szabályzó segítségével állítsa be az elkészítés idejét.
- Nyomja meg a "Instant/start" gombot.
- G-1 – 100%.
- A "COMBI 1" üzemmód hal, burgonya elkészítésére ajánlott: 30% ideig – mikrohullámok, 70% - grill.
- A "COMBI 2" üzemmód omlett, burgonya és baromfi sütésére ajánlott: 55%-ig – mikrohullámok, 45% - grill.

ELKÉSZÍTÉS KEZDETÉNEK ELHALASZTÁSA

- Engedélyezi a kezdeti idő programozását.
- Megnyomva a "Power" gombot, válasszon elkészítési üzemmódot.
- A többfunkciós szabályzó segítségével állítsa be az elkészítés időtartamát.
- Például, el kell kezdeni a készítést "10:30".
- Nyomja meg a "Clock" gombot és tartsa 3 másodpercig.
- A többfunkciós szabályzóval állítson be 10 órát.
- Nyomja meg a "Clock" gombot egyszer.
- A többfunkciós szabályzóval állítson be 30 percet.
- Nyomja meg a "Clock" egyszer a betáplált idő igazolása érdekében.
- "10:30" a sütő automatikusan bekapcsol.
- A betáplált idő megtekintése érdekében nyomja meg és engedje ki a "Clock" gombot.
- Ha a betáplált időnél hamarabb kívánja elkezdenni a működést, nyomja meg a "Instant/start" gombot.
- A program üzemmód törlése érdekében nyomja meg a "Pause/Cancel" gombot.
- Amennyiben az elkészítés kezdete be lesz állítva, viszont a jelen idő nem lesz megadva, a sütő nem kezd el működni a betáplált időkor, csak egy sor hangjelet fog kiadni.

LÉPÉSSZERŰ PROGRAMOZOTT ELKÉSZÍTÉS

- A "Power" gombbal állítsa be a teljesítményszintet (a maximálistól számítva %-ban).
- A többfunkciós szabályzó segítségével állítsa be az elkészítés idejét.
- Megnyomva a "Grill/combi" gombot, válassza ki a megfelelő üzemmódot.
- A többfunkciós szabályzó segítségével állítsa be az elkészítés idejét.
- Nyomja meg a "Instant/start" gombot.

MEGJEGYZÉS: a kifagyasztási stádiumot kizárólag az elkészítés előtt szabad használni.

AUTOMATIKUS EMLÉKEZTETŐ

- A megművelés befejeztével 3 percenként hangjelek fognak elhangzani mindaddig, amíg ki nem lesz nyitva az ajtó, vagy megnyomva a "Pause/Cancel" gomb.

BLOKKOLÁS

- Meggátolja a sütő kis gyermekek általi bekapcsolását felnőttek felügyelete nélkül.
- A blokkolás bekapcsolása és kikapcsolása érdekében meg kell nyomni és tartani 3 másodpercig a "Pause/Cancel" gombot.
- A blokkolás beállítása után a képernyőn megjelenik az "OFF" jelzés, és elhangzik a hangjelzés. Minden gomb leblokkolt.

PAUSE/CANCEL ("STOP/TÖRLÉS") FUNKCIÓ

- Az adott funkció a sütő kikapcsolása, vagy a beállítások törlésére tervezett.
- Nyomja meg a "Pause/Cancel" gombot, hogy felfüggeszse a sütő működését.
- Amennyiben a sütő program szerint működik, nyomja meg a "Pause/Cancel" gombot, hogy töröljőn a beállított adat.

MEGJEGYZÉS: Az elkészítés ideje változhat a termék formája, mérete, és elhelyezése függvényében. Nagy, illetve vastag darabok tovább készülnek, az apróbbak ü hamarabb.

- Az élelmiszert csomagolás nélkül fagyassza ki alacsony szélű alátétben, vagy mikrohullámú megművelésre szánt rácson, feltétlenül forgó üvegtálon. Lefagyasztáskor lehetőleg kompakt formát adjon az élelmiszernek.
- Fedje le a terméket speciális fedővel, vagy plasztikkal, feltűrve egy sarkot a felesleges pára kieresztésére. A fedők erősen melegek – legyen óvatos!

- A termékek közötti távolságnak, például, a zöldségek, kekszek, stb. között legalább 2,5 cm kell lennie, annak érdekében, hogy biztosítva legyen az egyenletes megművelés.
- A keverés szükséges, mivel a tál széleinél az élelmiszer gyorsabban melegszik.
- Csakis egy rétegben helyezze el az élelmiszert, a vastagabb kockákat rakja közelebb a szélekhez.
- A termék szétszakadásának elkerülése érdekében szűrje meg azok kemény héját.
- Csakis a kész és lehűtött termékeket melegítse, kavarva azokat.
- Popcorn – tartsa be a gyártó utasításait, és ne hagyja a mikrohullámú sütőt felügyelet nélkül. Amennyiben a termék nem készült el a betáplált időn belül, szakítsa meg a készítést. Túl hosszan tartó készítés tűzhez vezethet.

FIYELMEZTETÉS: a popcorn elkészítéséhez ne használjon barna papíros csomagolást, és ne próbálja felhasználni a megmaradt szemeket. Ne helyezze a popcornot tartalmazó zacskót közvetlenül a forgó üvegtárla, rakja azt a tányérra.

FIGYELEM: A megművelési folyamat közben a mikrohullámú sütőben lévő terméket fordítani szükséges.

- A beállított idő elteltével a sütő automatikusan kikapcsol, és elhangzik a hangjelzés.

MEGJEGYZÉS: Nyitott ajtó mellett a sütő működni nem fog.

TISZTÍTÁS ÉS KARBANTARTÁS

- Tisztítás előtt kapcsolja ki és áramtalanítsa a sütőt.
- Hagyja teljesen kihűlni a sütőt.
- Törölje meg nedves, mosogatószeres törülközővel a vezérlőpadot, a külső és belső felületeket.
- Ne használjon agresszív kémiai szert, illetve súrolószert.
- A kellemetlen szag eltávolítása érdekében, töltsön egy, a mikrohullámos sütőhöz alkalmas mély edénybe egy pohár citromos vizet, és tegye a sütőbe. Állítsa az időmérőt 5 percre, a működési üzemmód kapcsolót maximális helyzetbe. Amikor elhangzik a hangjel és a sütő kikapcsol, vegye ki az edényt és törölje meg a falakat száraz törülközővel.

TÁROLÁS

- Győződjön meg, hogy a sütő áramtalanítva van és teljesen kihűlt.
- Kövesse a „TISZTÍTÁS ÉS KARBANTARTÁS” rész lépéseit.
- Tárolja a sütőt kissé nyitott ajtóval száraz, tiszta helyen.

ҚАЗАҚСТАН РЕСПУБЛИКАСЫНЫҢ БҰЛМАҚАТТЫҚ АҚПАРАТТЫҚ АҒАМАНЫҢ ҚАҒАНАСЫ

ҚАУІПСІЗДІК ӨЛШЕМДЕРІ

- Бұйымды дұрыс қолданбау оның бұзылуына әкелуі және сізге зиян келтіруі мүмкін.
- Алғашқы қосудың алдында бұйымның техникалық сипаттамасының жапсырмадағы, электр жүйесінде көрсетілген параметрлеріне сәйкестігін тексеріңіз.

HAZAP! Қоректену бауының шаңышқысының сымы және жерлендіру контактісі бар. Құралды тек қана лайықты – жерлендірілген розеткаларға іске қосыңыз.

Осы Пайдалану нұсқауына сәйкес тек қана тұрмыстық мақсаттарда қолданылады. Құрал өнеркәсіптік қолдануға арналмаған.

- Жайдан тыс қолданылмайды.
- Жабдықты тазалаудың алдында немесе Сіз оны қолданбасаңыз электр жүйесінен әрқашан сөндіріп тастаңыз.

ЕСКЕРТУ! Дұрыс қолданбаған кезде пайда болуы мүмкін қауіптер және пешті қауіпсіз қолдану туралы тисті түрде нұсқаулық түсіндірілген жағдайда ғана балаларға пешті қадағалаусыз қолдануға рұқсат етіледі.

- Қараусыз қосылған құралды қалдырмаңыз.
- Бересі жинаққа енгізілмеген керек-жарақтарды қолданбаңыз.
- Қоректену бауы зақымдалған құралды қолданбаңыз.

ЕСКЕРТУ! Есікшеде немесе есікше нығыздауышында ақау болған жағдайда, білікті маман ақауды жоюға дейін пешпен жұмыс жасауға болмайды.

ЕСКЕРТУ! Қысқа толқынды сәулелену өтімінің жоғарылау қауіпінен қашу үшін, кезкелген қақпағын түсірумен байланысты барлық жөндеу жұмыстары тек қана маманмен атқарылуға тиісті.

- Қоректену бауының өткір жиектер және ыстық үстілерге тимеуін қадағалаңыз.
- Қоректену бауынан тартпаңыз, оны ширатпаңыз және құрылғының тұлғасын айнала орамаңыз.
- Микротолқынды пешті тек қана азықтарды даярлауға қолданыңыз. Еш жағдайда оған киімді, қағазды немесе басқа заттарды кептірмеңіз.

ЕСКЕРТУ! Ыдыстардың жарылуын болдырмау үшін сұйық немесе басқада тамақтарды жабық ыдыстарда қыздыруға болмайды.

- Сусындарды қысқа толқынды қыздырған жағдайда бүлкілдеп қайнауға ұласуы мүмкін, сондықтан, ыдыстарды қолданған кезде байқап және сақ болу керек.
- Өнімдерді даярлау кезінде жарылмауы үшін, пешке салар алдында тығыз қабығын не терісін пышақпен немесе шаңышқымен тесіңіз, мысалы, картоптың, алманың, каштанның, шұжықтың және т.б.
- Пластик немесе қағаз сияқты тез жанатын материалдардан жасалған ыдыста азықтық тамақтарды пеште қыздырған кезде, жануын болдыртпау үшін пешті бақылап отыру керек.
- Пештің үрленетін шкафы жанбауы үшін қажет:
 - өнімдердің өте ұзаққа созылған даярлық нәтижесінде күйінен қашақтау;
 - өнімдерді микротолқынды пешке орамасыз салып, сондай-ақ фольгасыз пісіру;
 - камера тұтанған кезде, есігін ашпай пешті өшіріңіз және оны электр жүйесінен сөндіріп тастаңыз.
- Пешті бос камералармен қоспаңыз. Камераны бірдеңе сақтауға қолданбаңыз.
- Микротолқынды пеш азықтарды консервілеуге арналмаған.
- Азықтарды тікелей камера түбіне қоймаңыз, алмалы-салмалы шарбақты немесе тұғырықты қолданыңыз.
- Дайын азықтың температурасын әрқашан тексеріңіз, әсіресе, егер ол балалар үшін арналса. Даярлықтан кейін табақты лезде үстелге әкелмеңіз, оған аздап суынуға мұрша беріңіз.
- Даярлық рецептерін басшылыққа алыңыз, бірақ есте сақтаңыз, кейбір өнімдер (джемдер, пудингілер, ішіне бадам қант немесе цукаттар салынған пирог) өте жылдам қыздырылады.
- Қысқа тұйықталу және пештің бұзылмауы үшін, желдету тесіктеріне су тигізбеңіз.

HAZAP:

- Азықтарды тікелей шыны табаққа емес, арнайы ыдыста даярлау керек, тек арнайы рецеппен даярлайтын кезден ғана.
- Тек қана микротолқынды пештерге микротолқынды ыдысты қолданыңыз.
- Микротолқынды пеште даярлауға жарамды ыдысты оны әзірлеушінің нұсқауларымен қатап сәйкестікте пайдалану керек.
- Есте сақтаңыздар, микротолқынды пештегі ыдыстан бұрын ішіндегісі едәуір жылдам қыздырылады, сондықтан пештен ыдысты шығарар алдында бумен күйіп қалмау үшін ықыласты болыңыз, қақпақты сақ ашыңыз.
- Өнімдерден алдын ала олардың орама бауын немесе металл және фольганы алып тастыңыз.
- **Микротолқынды пеште жармаған жұмыртқаны даярлауға болмайды.**

МИКРОТОЛҚЫНДЫ ПЕШКЕ АРНАЛҒАН ЫДЫС

HAZAP! Ыдыстағы таңбалармен және өндірушінің нұсқауларын басшылыққа алыңыз.

ЖАРАМДЫ

- **Қызуға төзімді шыны** - микротолқынды пеште даярлауға арналған ыдыстың ең жақсы материалы.
- **Термоқұшті пластик** – сондай ыдыста майы немесе қанты көп азықты даярлауға болмайды. Тығыз жабылатын контейнерлерді қолдануға болмайды.

- **Фаянс және фарфор** - микротолқынды пеште даярау үшін жарамды, тек алтынданған, күмістелінген немесе сәндік металл элементтері бар ыдыс болмайды.
 - **Арнайы орама** (қағаз, пластикалық және т.б.), микротолқынды пешке арналған - әзірлеушінің нұсқауларын бұлжытпай ұстаныңыз.
- ЖАРАМСЫЗ**
- **Өнімдердің сақтауына арналған қабыршақ, сонымен қатар термоқұшті полиэтилендік пакеттер** – етті және басқа азықтарды қуыруға жарамсыз.
 - **Металл ыдыс (алюминийлік, тоттанбайтын болаттан т.б.) және тамақтық фольга*** - микротолқындарды экрандайды; даярлау барысында қабырғаларға тисе - қуыру шкафта шоқтау және қысқа тұйықталу жасайды.
 - **Қызып және күйіп кетпеу үшін*** азықтың бөлек бөлімдерінің бір қабат қана орауға болады. Қабырғаларға тиуге жол бермеңіз, оларға дейінгі ара қашықтық 2 см. кем емес болуы тиісті.
 - **Балқығыш пластиктар** - микротолқынды пеште даярау үшін жаарамайды.
 - **Лактанған ыдыс** - микротолқындардың әсерінен лак балқуы мүмкін.
 - **Әдеттегі шыны (сонымен бірге фигуралық және жуан)** - жоғары қызулардың әсерінен формасы өзгеруі мүмкін.
 - **Қағаз, сабан, ағаш** - жоғары қызу әсерінен тұтануы мүмкін.
 - **Меламинды ыдыс** - микротолқынды сәулелерді жұта алады, бұл оның шытынауына немесе термодеструкция соқтырады және даярлау уақытын едауір ұлғайтады.

МИКРОТОЛҚЫНДЫ ПЕШКЕ АРНАЛҒАН ЫДЫСТЫ ҚАЛАЙ АНЫҚТАУҒА БОЛАДЫ?

- Барынша көп қуаттылыққа жұмыс тәртіптерінің ауыстырып қосқышын пісіру және орнатуға қосыңыздар (барынша көп температура), сыйғызыңыздар тестіленетін ыдысты 1 минутқа пісіру және су стаканы қасында қойыңыздар (~ 250 мл).
- Ыдыс, жарамды ана микротолқынды ошақтар азық даярлығына арналған қалады ғой температураның, не және құрудың алдында пісіру, сол уақытта су жылынады.

ПАЙДАЛЫ КЕҢЕСТЕР

- Даярлық уақытына олардың өнімдердің біркелкі жылытуына арналған төңкеріңіздер.
- Тар кеңірдекпен ыдысты қолдану, шөлмектің, дәл осылай қалай олар жарыла алады.
- Өнімдердің температура өлшеуіне арналған термометрлерді қолдану. Арнайы термометрлер тек қана қолданыңыздар, арналғандар микротолқынды ошақтардың артынан.

СЕРВИСКЕ БҰРЫЛМАС БҰРЫН

- Егер пісіруге қосылмаса, тексеріңіздер:
 - Розетка тұзулік және электр жүйесінде күштену барысы;
 - Таймер құру дұрыстығы;
 - Тығыз есік жабық.

РАДИОТОСҚАУЫЛДАР

- Қабылдау жанында микротолқындар бөгеттерді шақыра алады денеде - немесе радиосигналдардың.
- Бөгеттер минимизация жасау үшін:
 - Есіктер және металл нығыздағыштарды жүйелі тазалаңыздар;
 - Микротолқынды ошақтан алысырақ болады қалай теледидар және радиоқабылдағышты қондырыңыздар;
 - Ең жақсы нәтиже жетуіне арналған қабылдау антеннаны ыңғайын табыңыздар.
 - Пісіру микротолқынды қосыңыздар және электр жүйесі әртүрлі сызықтарына қабылдағыш.

ҚҰРУ

- Көзі жетесіздер, не ошақ ішінде буып-түйетін материалдардың және бөтен заттарды жоқ.
- Тексеріңіздер, зақымдалған емес тасу жанында:
 - Есік және металл нығыздағыштар;
 - Дене және байқау терезе;
 - Камера қабырғалары.
- Табылуда - ақауларды пісіруге қоспаңыздар; сатушыға немесе сервисті орталыққа бұрыласыздар.
- Тегіс горизонтальдық бетке пісіру микротолқынды орнатыңыздар, жеткілікті берікті, өнімдермен және ыдыспен ошақ салмағы шыдау үшін.
- Қайнарлар жақын маңда пісіруге орналастырмаңыздар тепла.
- Ештеңе қойып қоймаңыздар пісіру. Желдету тесіктерді қайта жаппаңыздар.
- Үшін ошақ нормалы жұмыстары желдетуге арналған азат кеңістік қажетті қамсыздандыру: кемірек емес: 20 см сверху, 10 см артқы панель жағынан және кемірек емес 5 см жақ жақтардан.

МИКРОТОЛҚЫНДЫ ОШАҚТАР ДАЙЫНДЫҚ ҚАБЫЛДАУЛАРЫ

- Жуан бөлімдермен көбірек өнімдерді орналастырыңыздар жақынырақ табақ жағымен.
- Даярлық уақытының ар жағында қадағалаңыздар, минимуммен оның сұрау қойыңыздар, қажеттілік өлшемімен бірте-бірте үлкейті. Өте ұзаққа созылғанның дайындыққа өнімдер түтей алады және тұтану.
- Өнімдерді жабыңыздар – мынау біркелкі қызу көбірек қамсыздандырады және шашырату қақпайлайды.
- Үшін біркелкі жылыту көбірек және даярлық тездетулері өнімдерді төңкеріңіздер және араластырыңыздар.
- Дөңгелектер | сопақ табақтың, айырмашылыққа квадраттардың тік бұрыштылардың, біркелкі жылыту көбірек сонымен қатар қамсыздандырады.

ЖҰМЫС

- Пешті электр жүйесіне қосыңыз.
- Өнімдерді пешке салыңыз және есікті жабыңыз.
- "Instant/start" ноқатын басып, даярлау уақытын қойғаннан кейін (және оның өтуіне дейін) камераның ішкі жарықтануы және желдету жүйесі қосылған.
- Берілген өңдеу уақыты өткеннен бойы дисплейде "End" жазуы көрінеді және әр 3 минут сайын есік ашылмайынша немесе қайсыбір ноқат басылмайынша дүркін-дүркін дыбысты сигналдар естіледі.

ДАЯРЛЫҚ ТОҚТАТА ТҰРУ

- Бұл қызмет өнімнің даярлық дәрежесін тексеру үшін пайдалы.
- Өңдеуді есікті жай ашумен ғана тоқтатуға болады. Егер оны жауып және "Instant/start" басса, процес жалғасады.
- Өңдеуді үзу қажет болса, "Pause/Cancel" ноқатын басыңыз.

КӨП ҚЫЗМЕТТІ РЕТТЕУІШ

- Қазіргі уақытты қою, тәртіп және өңдеу уақытын таңдау үшін арналған.

ӨТКІНШІ УАҚЫТТЫ ҚОЮ

- Пешті электр жүйесіне қосқанда дисплей жыпылықтайды және «88:88» көрсетеді, 3 секундтан соң «-:-» көрінеді, осыдан кейін қазіргі уақытты қоюға болады.
- Сағат 24-сағаттық форматта жұмыс істейді.
- "Clock" (ВРЕМЯ) ноқатын басыңыз.
- Көп қызметті реттеуішті бұрай, өткінші сағатты орнатыңыз.
- "Clock" ноқатын тағы бір басыңыз.
- Көп қызметті реттеуішті бұрай, өткінші минуттарды орнатыңыз.
- Қоюларды растау үшін "Clock" ноқатын басыңыз 5 сек.

ҚУАТТЫЛЫҚ ДЕҢГЕЙЛЕРІ

- "Pause/Cancel" ноқатын басыңыз.

- Кестені басшылыққа ала, қуаттылықты орнатыңыз, “Power” ноқатын басып, қажетті қуаттылықты орнатыңыз. Әрбір келесі басуда дисплей шығатын қуаттылықтың %-тін барынша көптен көрсетеді: **100P→80P→60P→40P→20P**.
- Көп қызметті реттеуішпен өңдеу ұзақтығын тапсырыңыз (max. 99 мин. 99 сек.).
- “Instant/start” ноқатын басыңыз.

“Power” ноқатын қанша рет басу	Дисплейдің көрсетуі	Қуаттылық деңгейі
1	100P	Барынша көп
2	80P	Жоғары
3	60P	Орта
4	40P	Төмен
5	20P	Ең аз

АВТОМАТТЫ ДАЯРЛАУ

- Кейбір азықтарды даярлаудың қуаттылық деңгейі мен уақыты автоматты қойылады.
- Көп қызметті реттеуішті бұрай, лайықты тәртіпті таңдаңыз.
- “Instant/start” ноқатын басыңыз.

Дисплейдің көрсетуі	Автоматты тәртіп қойылған өнімдер	Бағдарламаланған даярлау уақыты, мин.:сек.
A1	Попкорн (85 г)	2:30
A2	Попкорн (100 г)	2:40
A3	Пицца	1:00
A4	Сорпалар (250 мл)	2:20
A5	Сорпалар (500 мл)	4:40
A6	Картоп (0,45 кг)	7:12
A7	Картоп (0,65 кг)	10:12
A8	Балық (0,45 кг)	6:30

САЛМАҒЫН ЕСЕПКЕ АЛА ЖІБІТУ

- “Defrost” ноқатымен азық категориясын таңдаңыз.
- Көп жетелі реттеуіштің көмегімен тағамның граммен өлшенген салмағын таңдаңыз (дисплейде көрінеді).

Жібіту тәртібі	Өнім	Өнімнің салмағы
D1	ет	100 г...2 кг
D2	құс	200 г...3 кг
D3	Теңіз өнімдері	100 г...900 г

- “Instant/start” -ты басыңыз.
- Өңдеу уақыты кезінде қашан дыбысты сигналдар естіледі, азықтарды төңкеру қажет.

ГРИЛЬ ТӘРТІБІ / КОМБИ

- “Grill/combi” ноқатын басып, лайықты тәртіпті таңдаңыз.
- Көп қызметті реттеуішпен даярлау уақытын орнатыңыз.
- “Instant/start” ноқатын басыңыз.
- G-1 – 100%.
- “COMBI 1” тәртібі балық, картоп даярлау үшін ұсынылады.: уақыттардың 30%-ті – микротолқындар, 70%-ті – гриль.
- “COMBI 2” тәртібі омлеттерді даярлауға, картоп және құсты қуыруға арналған: 55% микротолқындар, 45% — гриль.

ДАЯРЛАУДЫ БАСТАУДЫ КЕЙІНГЕ ҚАЛДЫРУ

- Өңдеу уақытын бастауды бағдарламалауға мұрша береді.
- “Power” батырмасын баса отырып, өңдеу режимін таңдаңыз.
- Көп жетелі реттеуіштің көмегімен өңдеу уақытын орнатыңыз.
- Мысалы, даярлауды “10:30”-де бастау қажет.
- “Clock” ноқатын басыңыз және оны 3 секунд ішінде ұстап тұрыңыз.
- Көп қызметті реттеуішпен сағат 10-ды орнатыңыз.
- “Clock” ноқатын бір мәрте басыңыз.
- Көп қызметті реттеуішпен 30 минутты орнатыңыз.
- Даярлау уақытын растау үшін “Clock” ноқатын бір мәрте басыңыз.
- “10:30”-да пеш автоматты түрде қосылады.
- Берілген уақытты қарау үшін “Clock” ноқатын басыңыз және жіберіңіз.
- Жұмысқа бағдарламаланған уақытан ертерек кірісу үшін “Instant/start” ноқатын басыңыз.
- Бағдарламалау тәртібін жою үшін “Pause/Cancel” ноқатын басыңыз.
- Егер дайындауды бастау уақыты орнатылып, бірақ ағымдық уақыт орнатылмаса, белгіленген уақытта пеш іске қосылмайды, тек бірнеше рет дыбыстық белгі береді.

САТЫЛАП БАҒДАРЛАМАЛАНҒАН ДАЙЫНДАУ

- “Power” ноқатымен қуаттылық деңгейін орнатыңыз (барынша көптен %).
- Көп қызметті реттеуішпен даярлау уақытын орнатыңыз.
- “Grill/combi” ноқатын басып, лайықты тәртіпті таңдаңыз.
- Көп қызметті реттеуішпен даярлау уақытын орнатыңыз.
- “Instant/start” ноқатын басыңыз.

ЕСКЕРТУ: жібіту сатысын тек қана даярлау алдында қосуға болады.

АВТОЕСКЕ САЛУ

- Өңдеу аяқталумен, есік жабылғанша немесе “Pause/Cancel” ноқаты басылғанға дейін әрбір 3 минутта дыбысты сигналдар естіледі.

БІТЕУ

- Кішкентай балаларға ересектердің қарауынсыз пешті қосуға мұрша етпейді.
- Бітеуді қою және алу тастау үшін “Pause/Cancel” ноқатын 3 секунд аралығында басу және ұстау қажет.
- Бітеуді қоюғаннан кейін дисплейде “OFF” көрінеді және дыбысты сигнал естіледі. Барлық ноқаттар бітелді.

PAUSE/CANCEL (“ТОҚТАУ/ТҮСІРУ”) ҚЫЗМЕТІ

- Тап осы қызмет пештің жұмысын тоқтату немесе қоюларды доғару үшін қызмет етеді.
- Пештің жұмысын тоқтату тұру үшін “Pause/Cancel” ноқатын басыңыз.
- Егер бағдарламамен жұмыс істегенде, қоюларды өзгерту үшін “Pause/Cancel” ноқатын басыңыз.

ЕСКЕРТУ: Даярлау уақыты сонымен қатар азықтардың түрі, мөлшері және орналастырылуына тәуелді өзгере алады. Үлкен немесе жуан кесектер ұзағырақ әзірленеді, ал майдалары – тезірек.

- Азықтарды орамасыз терең емес тұғырықта немесе микротолқынды өңдеуге арналған торда айналмалы шыны табақты міндетті қолданып жібітіңіз. Өнімдерді тоңазытқанда, оларға мүмкіндігінше ықшам түрді беріңіз.
- Азықтарды арнайы қақпақшалармен немесе пластикпен бір ұшын артық будың шығуы үшін қайырып жабыңыз, шығаруға арналған бұрыштардың екі. Қақпақшалар өте қатты қызады – олармен сақ болыңыз!
- Азықтардың ара қашықтығы біркелкі өңдеуді қамсыздандыру үшін, мысалы, көкөністермен, кекстермен және т.б., 2,5 см аз емес болуға тиіс.
- Араластыру қажет, себебі ыдыстың ернеуіндегі азықтар қаттырақ қыздырылады.
- Азықтарды тек қана бір қабат орналастырыңыз, жуан кесектер шетіне жақынырақ қойыңыз.
- Азықтың жарылмауы үшін тығыз қабығын немесе тысын тесіңіз.
- Тек қана дайын және мұздалған азықтарды оларды араластыра қыздырыңыз.
- Попкорн – өндірушінің нұсқауларын қатал ұстаныңыз және микротолқынды пешті қарусыз қалдырмаңыз. Егер азық тиісті уақытта дайын болмаса, пісіруді тоқтатыңыз. Өте ұзаққа созылған өңдеу өртенуге әкелуі мүмкін.

САҚТЫҚ: Попкорнды даярлау үшін қызыл қоңыр қағаздан жасалған пакеттерді қолданбаңыз және дәндердің қалдықтарын қолдануға тырыспаңыз. Попкорнның орамасын тікелей шыны табаққа орналастырмаңыз, оны тәрелкеге қойыңыз.

HAZAR: Азықтарды микротолқынды пеште өңдеу процесі кезінде төңкеру қажет.

- Қойылған уақыт өткен соң пеш автоматты сөніп қалады және дыбысты сигнал естіледі.

ESKEPTU: Есік ашық кезінде пеш жұмыс істемейді.

ТАЗАЛАУ ЖӘНЕ КҮТІМ

- Тазалаудың алдында электр жүйесінен пісіруге өшіріңіздер және сөндіріп тастаңыздар.
- Ошақтар толық суынуға беріңіз.
- Жуатын құралмен дымқыл матамен басқару панель, сыртқы және ішкі беттер, шыны табақты сүртіңіздер.
- Агрессиялық заттар немесе қайрақ материалдарды қолданбаңыздар.
- Жағымсыз иіс қашықтату үшін, қандай болмасын терең ыдысқа құйыңыздар, жарамдыны микротолқынды ошақтардың артынан, су стаканы бір лимоннан шырынмен, және қойыңыздар пісіру 5 минутқа таймер, барынша көп жайға жұмыс тәртіптерінің ауыстырып қосқышын орнатыңыздар. Қашан дыбысты сигнал естіледі және сөніп қалуға пісіру, извлеките ыдысты және матамен құрғақ камера қабырғалары сүртіңіздер.

САҚТАУ

- Көзі жетесіздер, не электр жүйесінен сөндірілгенге пісіру және толық суынды.
- Бөлім талаптары барлық орындаңыздар “ТАЗАЛАУ ЖӘНЕ КҮТІМ”.
- Құрғақ таза орында есікпен аздап ашықпен пісіруге сақтаңыздар.

D BEDIENUNGSANLEITUNG

WICHTIGE SICHERHEITSHINWEISE

- Unkorrekter Umgang kann Schäden am Gerät zur Folge haben bzw. Ihre Gesundheit gefährden.
- Vor der ersten Verwendung stellen Sie sicher, dass die technischen Daten des Gerätes, die auf dem Aufkleber angegeben sind, mit den Parametern des Stromversorgungsnetzes übereinstimmen.

ACHTUNG! Der Netzstecker verfügt über einen Erdleitungsdraht. Stellen Sie sicher, dass das Gerät nur an die entsprechende Steckdose mit funktionsfähigem Erdleitungsanschluss angeschlossen wird.

- Das Gerät darf nur für Haushaltszwecke und in Entsprechung mit der vorliegenden Bedienungsanleitung verwendet werden. Das Mikrowellengerät ist für Industriezwecke ungeeignet.
- Das Gerät ist nicht für den Außenbetrieb vorgesehen.
- Ziehen Sie den Netzstecker jedes Mal vor der Reinigung und immer, wenn das Gerät nicht betrieben wird, aus der Steckdose.

ACHTUNG! Die Benutzung des Mikrowellenherdes von den Kindern ist nur in dem Falle erlaubt, wenn entsprechende und verständliche Anweisungen über die sichere Benutzung des Herdes gegeben sind sowie die Gefahren erklärt sind, die bei dessen unrechtmäßigen Benutzung entstehen können.

- Lassen Sie das eingeschaltete Gerät nie ohne Aufsicht.
- Verwenden Sie keine Teile, die im Zubehörset nicht enthalten sind.
- Das Gerät mit beschädigtem Anschlusskabel darf keinesfalls benutzt werden.

ACHTUNG! Bei einer Beschädigung der Tür oder der Türverdichtungen darf man mit dem Herd nicht arbeiten, bis die Störung fachmännisch beseitigt ist.

ACHTUNG! Um die Gefahr der erhöhten Leckstrahlung zu vermeiden, sollen alle Reparaturarbeiten, die mit der Abnahme eines Deckels verbunden sind, nur von Fachleuten ausgeführt werden.

- Achten Sie darauf, dass das Netzkabel mit den scharfen Kanten oder heißen Oberflächen nicht in Berührung kommt.
- Das Netzkabel darf nicht angespannt, verdreht oder um das Gerät gewickelt werden.
- Verwenden Sie den Mikrowellenofen grundsätzlich für Zubereitung von Lebensmitteln. Das Gerät eignet sich auf keinen Fall für das Trocknen von Kleidung, Papier oder anderen Gegenständen.

ACHTUNG! Flüssigkeiten und andere Lebensmittel sollen in geschlossenen Behältern nicht erhitzt werden, um eine Explosion dieser Behälter zu vermeiden.

- Das Erhitzen der Getränke mittels der Mikrowellen kann zum starken Sieden führen, deswegen soll man mit den Behältern aufmerksam und vorsichtig sein.
- Um dem Platzen von Lebensmitteln während des Garens vorzubeugen, stechen Sie die dichte Schale bzw. Hülle von Kartoffeln, Äpfeln, Maronen, Würstchen usw. mit Messer oder Gabel mehrmals ein, bevor Sie Lebensmittel in die Mikrowelle geben.
- Beim Erhitzen im Herd der Lebensmittel im Geschirr aus leichtentzündbaren Stoffen, wie zum Beispiel Kunststoff oder Papier, soll auf den Herd geachtet werden, um die Entzündung zu vermeiden.
- Damit kein Brand im Garraum entsteht, beachten Sie folgende Hinweise:
 - Vermeiden Sie das Anbrennen von Lebensmitteln infolge einer allzu langen Kochzeit.
 - Geben Sie die Lebensmittel in den Mikrowellenherd ohne Verpackung, unter anderem ohne Folie.
 - Falls im Garraum ein Brand entsteht, schalten Sie den Mikrowellenofen vom Stromnetz ab, ohne die Tür des Garraums zu öffnen.

- Schalten Sie die Mikrowelle nicht ein, wenn der Garraum leer ist. Verwenden Sie nie den Garraum zur Aufbewahrung von Gegenständen.
- Das Mikrowellengerät eignet sich nicht für das Konservieren von Lebensmitteln.
- Legen Sie die Lebensmittel nicht direkt auf den Mikrowellenboden, benutzen Sie ein abnehmbares Grill oder eine Unterlage.
- Überprüfen Sie immer die Temperatur der garen Speisen, besonders wenn es sich um die Babynahrung handelt. Servieren Sie das Gericht nicht gleich nach dem Garen, sondern lassen Sie es etwas abkühlen.
- Halten Sie sich an Kochrezepte, behalten Sie jedoch immer im Auge, dass sich einige Lebensmittel (z.B. Marmelade, Puddings, Kuchenfüllungen aus Mandeln, Zucker oder Sukkaden) besonders rasch erhitzen.
- Um Kurzschlüssen oder Schäden an dem Gerät vorzubeugen, stellen Sie sicher, dass Belüftungsöffnungen vor dem Eindringen der Feuchtigkeit gut geschützt sind.

ACHTUNG!:

- Die Lebensmittel sind nicht unmittelbar auf den Glasdreheller zu legen, sondern im speziellen Geschirr zu garen, es sei denn, darauf wurde extra im Zubereitungsrezept hingewiesen.
- Benutzen Sie nur das mikrowellengeeignete Geschirr.
- Das mikrowellengeeignete Geschirr wird in strenger Entsprechung mit den Bedienungshinweisen des Geschirrherstellers benutzt.
- Vergessen Sie nicht, dass sich das Gargut in einem Mikrowellenofen viel schneller als das Geschirr erhitzt wird, lasse Sie deswegen beim Entnehmen des Geschirrs aus der Mikrowelle besondere Vorsicht walten und nehmen den Deckel sehr behutsam ab, um sich vor Verbrennungen durch Dampf zu schützen.

- Metallstreifen bzw. Folie sollen von Lebensmitteln oder ihrer Hülle entfernt werden.
- **In der Mikrowelle dürfen nicht Eier mit Schale gekocht werden.**

MIKROWELLENGESCHIRR

ACHTUNG! Lassen Sie sich von Markierungen auf dem Geschirr oder Hinweisen des Herstellers leiten.

MIKROWELLENGEEIGNET:

- **Glas, feuerfest** – dieser Stoff eignet sich am besten für Essenzubereitung in einer Mikrowelle.
- **Hitzebeständiger Kunststoff** – es ist nicht empfehlenswert, das Essen mit hohem Fett- oder Zuckergehalt in solchem Geschirr zu garen. Luftdicht verschlossene Behälter dürfen nicht benutzt werden.
- **Steingut oder Porzellan** – ist für Garen im Mikrowellenofen geeignet unter Ausnahme von Geschirr mit Gold- oder Silberrand und Metallverzierungen.
- **Spezielle Verpackung** (Pappe, Kunststoff usw.), die für Mikrowellen bestimmt ist – Hinweise des Herstellers bitte streng einhalten.

MIKROWELLENUNGEEIGNET:

- **Klarsichtfolie zur Lebensmittelaufbewahrung sowie hitzebeständige Plastiktüten** – eignen sich nicht für Garen von Fleisch und anderen Lebensmitteln.
- **Metallgeschirr (aus Aluminium, Niosta u.a.) und Lebensmittelfolie*** - sie schirmen elektromagnetische Wellen ab. Die Berührung mit den Wänden des Garraums kann zu Funkenüberschlag bzw. einem Kurzschluss führen.
- *Damit können einzelne Teile der Lebensmittel einschichtig eingewickelt werden, um Überhitzen oder Anbrennen auszuschließen. Lassen Sie dabei keinen Kontakt mit den Wänden zu. Der Abstand bis zu Mikrowellenwänden soll mindestens 2 cm betragen.
- **Schmelzbare Kunststoffe** – sind für Mikrowellen nicht geeignet.
- **Lackgeschirr** – unter Einwirkung der elektromagnetischen Wellen kann der Lack schmelzen.
- **Normales Glas (u.a. Dick- und Figurenglas)** – kann sich unter Einwirkung von hohen Temperaturen deformieren.
- **Papier-, Stroh- und Holzgeschirr** - kann sich unter Einwirkung von hohen Temperaturen entzünden.
- **Melamingeschirr** – kann Mikrowellenstrahlung aufnehmen, was zur Rissebildung und Thermodestruktion führen kann und Kochzeiten wesentlich verlängert.

WIE STELLT MAN; OB DAS GESCHIRR MIKROWELLENGEEIGNET IST?

- Schalten Sie den Mikrowellenofen ein und stellen Sie den Leistungstufenschalter auf die Höchstleistung (Maximaltemperatur) ein. Danach geben Sie das getestete Geschirr für eine Minute in die Mikrowelle und stellen Sie daneben ein Glas Wasser (~ 250 ml).
- Das Geschirr, das zur Essenzubereitung in einer Mikrowelle benutzt werden kann, wird seine ursprüngliche Temperatur behalten, während sich das Wasser erwärmen wird.

NÜTZLICHE BEDIENUNGSTIPPS

- Um gleichmäßiges Erwärmen der Lebensmittel zu erzielen, drehen Sie sie während der Zubereitung gelegentlich um.
- Benutzen Sie keine Flaschen und sonstige Behälter mit schmalen Hals, da sie sich explodieren können.
- Benutzen Sie keine Thermometer zur Temperaturmessung von Lebensmitteln. Zu diesem Zweck verwenden Sie nur spezielle Thermometer, die für Mikrowellen vorgesehen sind.

BEVOR SIE SICH AN DEN KUNDENDIENST WENDEN

- Wenn es Ihnen nicht gelingt, das Gerät einzuschalten, überprüfen Sie:
 - Fehlerfreies Funktionieren der Steckdose und konstantes Vorhandensein der Spannung im Stromnetz;
 - Korrekte Einstellung der Zeitschaltuhr;
 - Dichtes Schließen der Mikrowellentür.

STÖRUNGEN DURCH RADIOWELLEN

- Mikrowellen können Störungen beim Empfang von Fernseh- bzw. Funksignalen hervorrufen.
- Um Störungen zu minimieren:
 - Türen und Metalldichtungen sollen regelmäßig gereinigt werden;
 - Unterbringen Sie Ihren Fernsehapparat bzw. Rundfunkempfänger möglichst weit von dem Mikrowellengerät;
 - Orientieren Sie die Empfangsantenne neu, bis das optimale Ergebnis erreicht ist.
 - Schließen Sie den Mikrowellenofen und den Empfänger an verschiedene Stromnetzzuleitungen an.

EINSTELLUNG

- Stellen Sie sicher, dass es im Ofeninneren kein Verpackungsmaterial und fremde Gegenstände gibt.
- Überprüfen Sie, ob bei der Beförderung keine Beschädigungen entstanden sind:
 - an der Mikrowellentür und Metalldichtungen;
 - am Gehäuse und der Frontblende;
 - an Garraumwänden.
- Beim Feststellen beliebiger Defekte schalten Sie das Gerät nicht ein, sondern wenden Sie sich an den Fachhändler oder Kundendienst.
- Stellen Sie den Mikrowellenofen auf eine ebene horizontale Oberfläche, die ausreichend robust ist, um das Gewicht des Ofens samt Lebensmittel und Geschirr zu tragen.
- Plazieren Sie das Gerät außer Reichweite von Heizquellen.
- Legen Sie keine Gegenstände auf die Mikrowelloberfläche. Decken Sie Belüftungöffnungen nicht ab.
- Für normales Funktionieren des Mikrowellengerätes ist freier Raum zur Durchlüftung erforderlich: min. 20 cm oben, 10 cm an der Hinterwand, und min. 5 cm an beiden Seitenteilen.

ZUBEREITUNGSMÖGLICHKEITEN IM MIKROWELLENOFEN

- Verteilen sie Lebensmittel so, dass größere Stücke näher zum Schüsselrand sind.
- Achten Sie auf die Kochzeit, geben Sie zunächst die minimale Kochzeit an und verlängern Sie sie je nach Bedarf. Wenn Lebensmittel zu lange gegart werden, kann es zu Rauchentwicklung bzw. Brand kommen.
- Benutzen Sie beim Kochen einen Deckel – das trägt zu einer gleichmäßigeren Erwärmung bei und schützt vor Spitzen.
- Um eine gleichmäßigere Verteilung der Hitze sowie schnellere Zubereitungszeit zu gewährleisten, rühren Sie und drehen Lebensmittel gelegentlich um.
- Runde bzw. ovale Schüsseln im Gegensatz zu quadratischen und rechteckigen Behältern fördern ebenfalls eine gleichmäßigere Erwärmung.

INBETRIEBNAHME

- Schließen Sie den Mikrowellenofen ans Stromnetz.
- Geben Sie Lebensmittel in die Mikrowelle und schließen die Tür.
- Sobald die erforderliche Garzeit eingegeben (bis zu ihrem Ablauf) und der "Instant/start" -Knopf betätigt ist, werden Innenbeleuchtung und Belüftungssystem betrieben.
- Nach dem Ablauf der eingegebenen Behandlungszeit wird auf dem Display die Überschrift "**End**" abgebildet und jede dritte Minute erklingt eine Reihe von Tonsignalen, solange die Tür geschlossen bleibt bzw. kein Knopf betätigt wird.

UNTERBRECHUNG DER ZUBEREITUNG

- Diese Funktion ist zur Prüfung des Gargrades eines Lebensmittels vorgesehen.
- Die Zubereitung kann durch einfache Öffnung der Tür unterbrochen werden. Nachdem die Tür wieder zugemacht und der "Instant/start" -Knopf betätigt ist, wird der Zubereitungsprozess fortgesetzt.
- Wenn es nötig ist, die Zubereitung zu unterbrechen, drücken Sie auf den "Pause/Cancel" -Knopf.

MEHRFUNKTIONSREGLER

- Der Mehrfunktionsregler dient zur Einstellung von laufender Zeit, Betriebsmodus und Garzeit.

EINSTELLUNG LAUFENDER ZEIT

- Beim Anschluss des Mikrowellenofens ans Stromnetz blinzelt das Display und zeigt «88:88» an, in 3 Sekunden wird auf dem Display «-:->» abgebildet, wonach laufende Zeit eingestellt werden kann.
- Die Uhr kann im 24-Stunden-Format betrieben werden.
- Drücken Sie auf den Knopf "Clock" (UHR).
- Stellen Sie laufende Stunden ein, indem Sie den Mehrfunktionsregler drehen.
- Drücken Sie wiederholt auf den Knopf "Clock".
- Stellen Sie laufende Minuten ein, indem Sie den Mehrfunktionsregler drehen.
- Zur Bestätigung der Einstellungen drücken Sie auf den Knopf "Clock" 5 Sek.

LEISTUNGSSTUFEN

- Drücken Sie auf den Knopf "Pause/Cancel".
- Stellen Sie die Leistung gemäß der Tabelle ein. Stellen Sie die erforderliche Leistung ein, indem Sie auf den Knopf "Power" drücken. Bei jedem nachfolgenden Drücken auf den Knopf wird auf dem Display die Ausgangsleistung in % von der Maximalleistung abgebildet: **100P→80P→60P→40P→20P**.
- Geben Sie gewünschte Garzeit mit Hilfe des Mehrfunktionsreglers ein (max. 99 Min. 99 Sec.).
- Drücken Sie auf den "Instant/start".

Wieviele mal auf den Knopf "Power" gedrückt wird	Displayanzeige	Leistungsstufe
1	100P	maximale
2	80P	hohe
3	60P	mittlere
4	40P	niedrige
5	20P	minimale

AUTOMATISCHE ZUBEREITUNG

- Leistungsstufe und Garzeit einiger Lebensmittel werden automatisch eingestellt.
- Wählen Sie den nötigen Betriebsmodus, indem Sie den Mehrfunktionsregler drehen.
- Drücken Sie auf den "Instant/start" -Knopf.

Displayanzeige	Lebensmittel, für die automatischer Betriebsmodus aktiviert wird	Vorprogrammierte Garzeit, Min.:Sek.
A1	Popcorn (85 g)	2:30
A2	Popcorn (100 g)	2:40
A3	Pizza	1:00
A4	Suppen (250 ml)	2:20
A5	Suppen (500 ml)	4:40
A6	Kartoffeln (0,45 kg)	7:12
A7	Kartoffeln (0,65 kg)	10:12
A8	Fisch (0,45 kg)	6:30

AUFTAUEN UNTER BERÜCKSICHTIGUNG DES GEWICHTS.

- Mit dem Knopf "Defrost" wählen Sie passende Lebensmittelart.
- Wählen Sie das Gewicht des Produktes in Gramm aus, indem Sie den Mehrfunktionsregler drehen (wird am Display angezeigt).

Modus der Auftauung	Lebensmittel	Gewicht
D1	Fleisch	100 g...2 kg
D2	Geflügel	200 g...3 kg
D3	Meeresfrüchte	100 g...900 g

- Drücken Sie auf "Instant/start".
- Wenn während des Garens Tonsignale erklingen, sollen Lebensmittel umgedreht werden.

GRILL / KOMBI-FUNKTION

- Drücken Sie auf den Knopf "Grill/combi" und wählen Sie den geeigneten Betriebsmodus.
- Stellen Sie mit dem Mehrfunktionsregler die Bearbeitungszeit ein.
- Drücken Sie auf den "Instant/start" -Knopf.
- G-1 – 100%.
- Der Modus "COMBI 1" wird zur Zubereitung von Fisch, Kartoffeln empfohlen: 30% der Bearbeitungszeit – Mikrowellenbehandlung, 70% - Grillbehandlung.
- Der Modus "COMBI 2" wird zur Zubereitung von Eierkuchen, Backkartoffeln und Geflügel empfohlen: 55% - Mikrowellenbehandlung, 45% - Grillbehandlung.

VERLEGUNG DER ZUBEREITUNG

- Diese Funktion dient zur Vorprogrammierung des Betriebsstarts.
- Wählen Sie die gewünschte Bearbeitungsart, indem Sie die Taste "Power" betätigen.
- Geben Sie mithilfe des Mehrfunktionsreglers die Bearbeitungsdauer ein.
- So ist es z. B. nötig, die Zubereitung um "10:30" zu starten.
- Drücken Sie auf den Knopf "Clock" und halten ihn 3 Sekunden lang.
- Stellen Sie mit Hilfe des Mehrfunktionsreglers 10 Stunden ein.
- Drücken Sie wiederholt auf den Knopf "Clock".
- Stellen Sie mit Hilfe des Mehrfunktionsreglers 30 Minuten ein.
- Drücken Sie einmal auf den Knopf "Clock" zur Bestätigung des Bearbeitungsstarts.
- Um "10:30" schaltet sich der Mikrowellenofen automatisch ein.
- Zum Ansehen der eingegebenen Garzeit drücken Sie auf den Knopf "Clock" und lassen ihn los.
- Um die Mikrowelle vor der vorprogrammierten Zeit zu starten, betätigen Sie den Knopf "Instant/start".
- Um die Vorprogrammierung zu löschen, drücken Sie auf den Knopf "Pause/Cancel".
- Wird die Zeit des Beginns der Zubereitung eingestellt, ohne dass die laufende Zeit eingegeben worden ist, so wird sich der Ofen zu der festgesetzten Stunde nicht einschalten, sondern nur eine Reihe der Signaltöne von sich geben.

STUFENWEISE PROGRAMMIERBARE ZUBEREITUNG

- Stellen Sie die erforderliche Leistungsstufe mit dem Knopf "Power" ein (in % von der Maximalleistung).
- Stellen Sie mit dem Mehrfunktionsregler die Bearbeitungszeit ein.
- Drücken Sie auf den Knopf "Grill/combi" und wählen Sie den geeigneten Betriebsmodus.
- Stellen Sie mit dem Mehrfunktionsregler die Bearbeitungszeit ein.

- Drücken Sie auf den "Instant/start" -Knopf.

BEMERKUNG: Das Auftauen kann nur vor der Zubereitung durchgeführt werden.

AUTOMATISCHE ERINNERUNG

- Nach dem Beenden der Bearbeitung werden alle 3 Minuten Tonsignale erklingen, solange die Tür geschlossen bleibt bzw. der Knopf "Pause/Cancel" nicht betätigt wird.

SPERRE

- Lassen Sie kleine Kinder den Mikrowellenofen niemals ohne Aufsicht der Erwachsenen einschalten.
- Zur Aktivierung bzw. Deaktivierung der Sperre drücken Sie auf den "Pause/Cancel" -Knopf und halten ihn 3 Sekunden lang.
- Nach der Einstellung der Sperre wird auf dem Display "OFF" abgebildet und ein Tonsignal erklingt. Alle Tasten sind gesperrt.

PAUSE/CANCEL ("STOP/ABBRUCH")-FUNKTION

- Dank dieser Funktion können die Zubereitung unterbrochen bzw. Einstellungen gelöscht werden.
- Um die Bearbeitung zu unterbrechen, drücken Sie auf den Knopf "Pause/Cancel".
- Wenn der Betrieb der Mikrowelle vorprogrammiert ist, drücken Sie auf den Knopf "Pause/Cancel", um Einstellungen zu löschen.

BEMERKUNG: Die Zeit des Garens kann verändert werden, je nach der Form, Größe und Platzierung der Lebensmittel. Große oder dicke Stücke brauchen mehr Zeit als kleinere.

- Tauen Sie Lebensmittel ohne Verpackung auf einer flachen Unterlage bzw. einem Gitter für Mikrowellenbearbeitung unter obligatorischer Verwendung des Glasdrehtellers auf. Beim Einfrieren verleihen Sie den Lebensmitteln eine möglichst kompakte Form.
- Decken Sie Lebensmittel mit speziellen Deckeln bzw. Plastik zu, biegen Sie dabei einen Winkel nach oben, um Abgang für überflüssigen Dampf zu verschaffen. Seien Sie vorsichtig – Deckel erhitzen sich sehr stark!
- Der Abstand zwischen Lebensmitteln wie etwa dem Gemüse, Keksen usw. soll mindestens 2,5 cm betragen, damit eine gleichmäßige Behandlung gewährleistet wird.
- Lebensmittel sollen gelegentlich umgerührt werden, da sie sich am Rand des Geschirrs schneller erwärmen.
- Platzieren Sie Lebensmittel nur einschichtig, dickere Stücke sollen dabei näher zum Rand liegen.
- Stechen Sie harte Schale bzw. Hülle der Lebensmittel ein, um dem Platzen vorzubeugen.
- Wärmen Sie nur fertige und abgekühlte Speisen beim gelegentlichen Umrühren auf.
- Popcorn – halten Sie Hinweise des Herstellers strikt ein und lassen den Mikrowellenofen nicht ohne Aufsicht. Wenn das Popcorn zur vorgesehenen Zeit nicht fertig wird, unterbrechen Sie die Zubereitung. Bei einer zu langen Bearbeitungszeit besteht die Entflammungsgefahr.

WARNUNG: Benutzen Sie nicht zur Popcornzubereitung braune Papiertüten und versuchen Sie nicht, Reste der Körne zu gebrauchen. Platzieren Sie die Verpackung mit Popcorn nicht unmittelbar auf den Glasdrehteller, sondern legen Sie sie auf einen Teller.

ACHTUNG: Während des Garens im Mikrowellenofen sollen Lebensmittel umgedreht werden.

- Nach dem Ablauf der eingegebenen Zeit schaltet sich die Mikrowelle automatisch aus und ein Tonsignal erklingt.

BEMERKUNG: Bei offener Tür kann die Mikrowelle nicht betrieben werden.

REINIGUNG UND PFLEGE

- Vor der Reinigung schalten Sie den Ofen ab und ziehen den Netzstecker aus der Netzdose.
- Warten Sie ab, bis sich die Mikrowelle endgültig abkühlt.
- Wischen Sie das Bedienfeld, Außen- und Innenoberflächen und den Glasdrehteller mit einem feuchten Tuch und Reinigungsmittel ab.
- Verzichteten Sie auf aggressive oder scheuernde Mittel.
- Um unangenehme Gerüche zu beseitigen, schenken Sie in eine tiefe mikrowelleneignete Schüssel ein Glas Wasser mit Saft einer Zitrone ein und stellen sie in den Ofen. Stellen Sie die Zeitschaltuhr auf 5 Minuten und den Leistungsstufenschalter auf die höchste Leistungsstufe ein. Nachdem die Hupe erklingt und sich der Ofen ausgeschaltet hat, nehmen Sie die Schüssel heraus und wischen die Wände des Garraums mit einem Tuch trocken.

AUFBEWAHRUNG

- Vergewissern Sie sich, dass das Gerät vom Stromnetz abgeschaltet ist und sich vollständig abgekühlt hat.
- Befolgen Sie alle Vorschriften des Teils „REINIGUNG UND PFLEGE“.
- Halten Sie den Mikrowellenofen mit leicht geöffneter Tür an einem sauberen, trockenen Ort.

CR UPUTA ZA RUKOVANJE

SIGURNOSNE MJERE

- Nepravilna uporaba može dovesti do kvara proizvoda i nanijeti štetu korisniku.
 - Prije prvog uključivanja provjerite da li tehničke karakteristike proizvoda, naznačene na naljepnici, odgovaraju parametrima električne mreže.
- PAZITE!** Utikač kabla napajanja ima zemljovodni kontakt i provodnik. Priključite uređaj samo odgovarajućim uzemljenim gnijezdima.
- Koristiti samo u domaćinstvu, u skladu sa ovom Uputom za rukovanje. Uređaj nije namijenjen za proizvodnju.
 - Ne upotrebljavati vani.
 - Uvijek isključite uređaj iz mreže napajanja prije čišćenja ili kad ga ne upotrebljavate.
- PAZITE!** Uporaba peći djecom bez kontrole od strane odraslih dozvoljava se samo onda, kad su djeca dobila odgovarajuće i razumljive upute u vezi s bezopasnom uporabom peći i opasnostima, koje se mogu pojaviti u slučaju njene nepravilne uporabe.
- Ne ostavljajte uključeni uređaj bez kontrole.
 - Ne upotrebljavajte pribore koji nisu u kompletu ovog uređaja.
 - Ne upotrebljavajte uređaj s oštećenim kablom.
- PAZITE!** Ako su oštećena vrata ili njihovi zaptivači, rad s peću se ne dopušta dok kvalificirano osoblje ne bude odstranilo neispravnost.
- PAZITE!** Kako bi se izbjegla opasnost povećanog mikrovalnog zračenja, sve radove na popravljanju, vezani za skidanje bilo kojih poklopaca, mora vršiti samo stručno osoblje.
- Pazite da kabel ne dodiruje oštre ivice ili vruće površine.
 - Ne vucite kabel, ne zapetljavajte ga i ne namotavajte oko tijela uređaja.
 - Upotrebljavajte mikrovalnu pećnicu samo za pripremanje hrane. Nikad ne sušite u njoj odjeću, papir ili druge predmete.
- PAZITE!** Tekućine ili druge proizvode se ne mogu zagrijavati u zatvorenoj posudi, kako bi se izbjeglo eksploziranje posude.
- U slučaju zagrijavanja napitaka pomoću mikrovalova može se početi jako kipljenje, zato je neophodno uporabljati posude pažljivo i oprezno.
 - Kako bi se izbjeglo pucanje namirnica u vrijeme kuhanja prije stavljanja u peć probodite nožem ili viljuškom tvrdi kožu ili opkladu, npr., kod krumpira, jabuka, kestena, kobasica i sl.
 - U slučaju zagrijavanja u pećnici proizvoda u posudi od lakozapaljivih materijala, kao što su plastike ili papir, neophodno je pratiti zagrijavanje, kako bi se izbjeglo zapalijvanje.
 - Kako bi se izbjeglo zapaljenje u pećnici neophodno je:
 - izbjegavati zagorijevanje namirnica u rezultatu suviše dugog kuhanja;
 - stavljanje namirnica u pećnicu bez pakovanja, uključujući foliju;
 - u slučaju zapaljenja u komori isključite pećnicu iz električne mreže, ne otvarajući vrata.
 - Ne uključujte praznu pećnicu. Ne upotrebljavajte je za čuvanje bilo čega.
 - Mikrovalna pećnica nije namijenjena za konzerviranje namirnica.
 - Ne stavljajte namirnice neposredno na dno komore, koristite rešetku na skidanje ili ploču.
 - Uvijek provjeravajte temperaturu gotovih jela, naročito, ako su namijenjena za djecu. Jelo se ne služi odmah po pripremanju, pričekajte dok se ohladi.
 - Sledite recepte, ali pamтите da se pojedine namirnice (džemovi, pudinci, nadjevi za kolače od badema, šećera ili ušćerenog voća) zagrijavaju veoma brzo.
 - Kako bi se izbjegao kratki spoj i oštećenje pećnice, ne dopuštajte pojavljivanje vode u otvorima za ventilaciju.

PAZITE:

- Namirnice se ne smiju stavljati neposredno na staklenu ploču, nego ih je potrebno kuhati u specijalnom posuđu, izuzev slučajeve, kad je receptom predviđeno drukčije.
- Upotrebljavajte samo posuđe, namijenjeno za mikrovalnu pećnicu.
- Namijenjeno za mikrovalnu pećnicu posuđe treba upotrebljavati u skladu s uputama proizvođača posuđa.
- Pamтите da se u mikrovalnoj pećnici namirnice zagrijevaju mnogo brže nego posuđe, zato budite jako oprezni, vadeći posuđe iz pećnice, oprezno otvarajte poklopac, kako se ne bi opekli parom.
- Prethodno skidajte s namirnica ili pakovanja metalne trake i foliju.
- **U mikrovalnoj pećnici se ne smiju kuhati cijela jaja.**

POSUĐE ZA MIKROVALNU PEĆNICU

PAZITE! Sledite naznake na posuđu i upute proizvođača.

ODGOVARA

- **Staklo, otporno na toplinu** – najbolji materijal posuđa za kuhanje u mikrovalnoj pećnici.
- **Plastike, otporne na toplinu** – u takvom posuđu nije preporučeno kuhati jela, koja sadrže dosta masti ili šećera. Ne smiju se upotrebljavati kontejneri koji se čvrsto zatvaraju.
- **Fajansa i porculan** – odgovaraju za mikrovalnu pećnicu, izuzev pozlaćeno, posrebrano posuđe ili posuđe s ukrasnim metalnim detaljima.
- **Specijalno pakovanje** (papirno, plastično i dr.), namijenjeno za mikrovalne pećnice – strogo sledite upute proizvođača.

NE ODGOVARA

- **Prevlaka za čuvanje namirnica, a također otporne na toplinu najlonske vreće** – ne odgovaraju za pečenje mesa i bilo kojih drugih namirnica.
- **Metalno posuđe (alumijsko, od nehrđajućeg čelika i dr.) i folija za namirnice*** - ekraniraju mikrovalove; u kontaktu s zidovima pećnice u tijeku kuhanja mogu izazvati iskre i kratki spoj.
- *Može se upotrijebiti za jednoslojnu opkladu pojedinih dijelova jela kako bi se izbjeglo njihovo pregrijavanje i zagorijevanje. Ne dopuštajte kontakt s zidovima, razmak mora biti najmanje 2 cm.
- **Topljive plastike** - ne odgovaraju za kuhanje u mikrovalnoj pećnici.
- **Lakirano posuđe** – pod utjecajem mikrovalova lak se može istopiti.
- **Obično staklo (uključujući debelo i staklo složenog oblika)** – pod utjecajem većih temperatura može se deformirati.
- **Papir, slama, drvo** - pod utjecajem većih temperatura mogu se zapaliti.
- **Melaminsko posuđe** – može upijati mikrovalno zračenje, što izaziva u posuđu pukotine ili toplinsko rušenje i bitno povećava vrijeme kuhanja.

KAKO ODREDITI, DA LI POSUĐE ODGOVARA MIKROVALNOJ PEĆNICI?

- Uključite pećnicu i okrenite mjenjač radnih režima na maksimalnu jačinu (maksimalna temperatura), stavite u pećnicu na 1 minutu posuđe, koje se ispituje, i čašu vode (~ 250 ml).
- Posuđe, koje odgovara za kuhanje hrane u mikrovalnoj pećnici, sačuvat će istu temperaturu, koju je imalo prije stavljanja u pećnicu, dok voda će se zagrijati.

VRIJEDNI SAVJETI

- Kako bi se namirnice ravnomjerno zagrijevale, okrećite ih tijekom kuhanja.
- Ne upotrebljavajte posuđe s uskim grlom, boce, jer se mogu eksplodirati.
- Ne upotrebljavajte termometre za mjerenje temperature hrane. Upotrebljavajte samo specijalne termometre, namijenjene za mikrovalne pećnice.

PRIJE NEGO ŠTO SE OBRATITE U SERVIS

- Ako se pećnica ne uključuje, provjerite:
 - je li ispravno gnijezdo i ima li napona u električnoj mreži;
 - je li ispravno podešena vremenska sklopka;
 - jesu li dobro zatvorena vrata.

RADIO-SMETNJE

- Mikrovalovi mogu izazvati smetnje u prijemu televizijskih ili radijskih signala.
- Radi minimiziranja smetnji:
 - regularno čistite vrata i metalne zaptivače;
 - postavite televizor i radio što dalje od mikrovalne pećnice;
 - orijentirajte prijemnu antenu kako biste postigli najbolji rezultat.
 - uključite mikrovalnu pećnicu i prijemnik u različite linije električne mreže.

INSTALACIJA

- Uvjerite se da unutar pećnice nema pakovanja i stranih predmeta.
- Provjerite da u vrijeme prijevoza nisu oštećeni:
 - vrata i metalni zaptivači;
 - kutija i kontrolni prozor;
 - zidovi komore.
- Ako ste našli bilo koje nedostatke, ne uključujte pećnicu, obratite se prodavaču ili servisnom centru.
- Postavite mikrovalnu pećnicu na ravnu horizontalnu površinu, koja će izdržati težinu pećnice s namirnicama i posuđem.
- Ne stavljajte pećnicu blizu izvora topline.
- Ništa ne stavljajte na pećnicu. Ne blokirajte otvore za ventilaciju.
- Radi normalnog rada pećnice neophodno je osigurati slobodni prostor za ventilaciju: najmanje: 20 cm gore, 10 cm od zadnje ploče i najmanje 5 cm po stranama.

NAČINI KUHANJA U MIKROVALNOJ PEĆNICI

- Stavljajte namirnice tako, kako bi se deblji dijelovi našli bliže krajevima posuđa.
- Pazite na vrijeme kuhanja, na početku birajte minimalno vrijeme te ga povećavajte, ako je neophodno. Ako kuhanje traje predugo, može se pojaviti dim, jelo može zagorjeti.
- Prekrivajte namirnice – to će osigurati ravnomjernije zagrijavanje i spriječiti rasprskavanje.
- Radi ravnomjernijeg zagrijavanja i ubrzanja kuhanja okrećite i miješajte namirnice.
- Okruglo/ovalno posuđe, za razliku od kvadratnog/pravokutnog, također osigurava ravnomjernije zagrijavanje.

RAD

- Priključite pećnicu električnoj mreži.
- Stavite namirnice u pećnicu i zatvorite vrata.
- Nakon određivanja vremena kuhanja (i prije njegovog isteka) nakon pritiska tipke "Instant/start" uključeni su unutrašnje osvjetljenje komore i sustav ventilacije.
- Po isteku zadatog vremena obrade na pokazivaču će se pojaviti natpis "End", svake 3 minute čut će se zvučni signali, dok ne budete otvorili vrata ili pritisnuli tipku "Pause/Cancel".

ODLAGANJE KUHANJA

- Ova funkcija je korisna za provjeru gotovosti jela.
- Možete prekinuti obradu otvaranjem vrata. Kad zatvorite vrata i pritisnete tipku "Instant/start", kuhanje će se nastaviti.
- Ako je potrebno prekinuti obradu, pritisnite tipku "Pause/Cancel".


VIŠENAMJENSKI REGULATOR

- Namijenjen je za određivanje tekućeg vremena, biranje režima i vremena obrade.

PODEŠAVANJE TEKUĆEG VREMENA

- Kad uključujete pećnicu u električnu mrežu, pokazivač titra i prikazuje «88:88», nakon 3 sekundi pojavljuje se «-:-», nakon čega možete odrediti tekuće vrijeme.
- Vrijeme se prikazuje u formatu 24 časova.
- Pritisnite tipku "Clock" (VRIJEME).
- Pritisnite višenamjenskog regulatora podesite tekuće vrijeme.
- Pritisnite tipku "Clock" još jednom.
- Pritisnite višenamjenskog regulatora podesite minute tekućeg vremena.
- Kako biste potvrdili parametre, pritisnite tipku "Clock" 5 sek.

RAZINA JAČINE

- Pritisnite tipku "Pause/Cancel".
- Pridržavajući se tablice, odredite jačinu pritiscima tipke "Power". Kod svakog sljedećeg pritiska pokazivač će prikazati ulaznu jačinu u % od maksimalne: **100P→80P→60P→40P→20P**.
- Višenamjenskim regulatorom odredite vrijeme obrade (max. 99 min. 99 sek.).
- Pritisnite tipku  / START.

Koliko puta pritisnuti tipku "Power"	Pokazivanja	Razina jačine
1	100P	Maksimalna
2	80P	Visoka
3	60P	Srednja
4	40P	Niska
5	20P	Minimalna

AUTOMATSKO KUHANJE

- Razina jačine i vrijeme kuhanja pojedinih namirnica određuju se automatski.
- Pritisnite višenamjenskog regulatora izaberite odgovarajući režim.
- Pritisnite tipku "Instant/start".

Pokazivanja	Namirnice, za koje je predviđen automatski režim	Programirano vrijeme kuhanja, min.:sek.
A1	Kokice (85 g)	2:30
A2	Kokice (100 g)	2:40
A3	Pizza	1:00
A4	Juha (250 ml)	2:20
A5	Juha (500 ml)	4:40
A6	Krumpir (0,45 kg)	7:12
A7	Krumpir (0,65 kg)	10:12
A8	Riba (0,45 kg)	6:30

AUTOMATSKO OTAPANJE PREMA TEŽINI

- Tipkom "Defrost" izaberite vrstu namirnica.
- Višenamjenskim regulatorom izaberite težinu proizvoda u gramima (prikazuje se na pokazivaču).

Režim otapanja	Namirnice	Težina
D1	meso	100 g...2 kg
D2	ptica	200 g...3 kg
D3	plodovi mora	100 g...900 g

- Pritisnite "Instant/start".
- Kad se u vrijeme otapanja čuju zvučni signali, treba okrenuti namirnice.

REŽIM GRIL / COMBI

- Pritiskom tipke "Grill/combi" odaberite odgovarajući režim.
- Višenamjenskim regulatorom odredite vrijeme kuhanja.
- Pritisnite tipku "Instant/start".
- G-1 – 100%.
- Režim "COMBI 1" se preporučuje za kuhanje ribe, krumpira: 30% vremena – mikrovalovi, 70% - gril.
- Režim "COMBI 2" se preporučuje za kuhanje omleta, pečenje krumpira i ptice: 55% - mikrovalovi, 45% - gril.

ODLAGANJE POČETKA KUHANJA

- Dozvoljava programirati vrijeme početka obrade.
- Pritiscima tipke "Power" izaberite režim obrade.
- Višenamjenskim regulatorom odredite vrijeme trajanja obrade.
- Na primjer, treba početi kuhanje u "10:30".
- Pritisnite tipku "Clock" i držite je u tijeku 3 sekunde.
- Višenamjenskim regulatorom odredite vrijeme 10 satova.
- Pritisnite tipku "Clock" još jednom.
- Višenamjenskim regulatorom odredite vrijeme 30 minuta.
- Pritisnite tipku "Clock" još jednom kako biste potvrdili vrijeme početka kuhanja.
- U "10:30" pećnica će se automatski uključiti.
- Kako biste pogledali zadato vrijeme, pritisnite i otpustite tipku "Clock".
- Kako biste počeli rad ranije od programiranog vremena, pritisnite tipku "Instant/start".
- Radi odmjene režima programiranja pritisnite tipku "Pause/Cancel".
- Ako odrediti vrijeme početka kuhanja, ne unijevši tekuće vrijeme, u određeno vrijeme se pećnica neće uključiti nego će samo dati nekoliko zvučnih signala.

PROGRAMIRANO KUHANJE KORAK PO KORAK

- Tipkom "Power" izaberite razinu jačine (u % od maksimalne).
- Višenamjenskim regulatorom odredite vrijeme kuhanja.
- Pritiskom tipke "Grill/combi" odredite odgovarajući režim.
- Višenamjenskim regulatorom odredite vrijeme kuhanja.
- Pritisnite tipku "Instant/start".

NAPOMENA: otapanje se može uključiti samo prije kuhanja.

AUTOMATSKO PODSJEĆANJE

- Po završetku obrade svake 3 minute čut će se zvučni signali, dok ne budete otvorili vrata ili pritisnuli tipku "Pause/Cancel".

BLOKIRANJE

- Ne dopušta maloj djeci uključivati pećnicu bez kontrole odraslih.
- Radi aktiviranja i odmjene blokiranja neophodno je pritisnuti i držati u tijeku 3 sekunde-tipku "Pause/Cancel".
- Nakon aktiviranja blokiranja pokazivač će prikazati "OFF", čut će se zvučni signal. Sve tipke su blokirane.

FUNKCIJA PAUSE/CANCEL (STOP/ODMENA)

- Ova funkcija služi za prekidanje rada pećnice ili odmjenu parametara.
- Pritisnite tipku "Pause/Cancel", kako biste zaustavili rad pećnice.
- Ako pećnica radi prema programu, pritisnite tipku "Pause/Cancel", kako biste odmijenili parametre.

NAPOMENA: Vrijeme kuhanja se može također mijenjati u zavisnosti od oblika, veličine i raspolaganja namirnica. Veliki ili debeli komadi se kuhaju duže, dok manji – brže.

- Otapajte namirnice bez pakovanja na plitkom podmetaču ili na rešetki za mikrovalnu obradu, obavezno s okretnom staklenom pločom. Kad zamrzavate namirnice, trudite se da ih kompaktno oblikujete.
- Prekrivajte namirnice specijalnim poklopcima ili plastikom, zavrnuvši jedan od kutova radi izlaska suviše pare. Poklopci se jako zagrijavaju – budite oprezni!
- Razmak između namirnica, na promjer, povrća, keksa i sl., mora biti najmanje 2,5 cm, kako bi se osigurala ravnomjerna obrada.
- Neophodno je miješanje, jer kod krajeva posuđa namirnice se zagrijavaju više.
- Stavite namirnice samo u jedan sloj, deblje komade stavite bliže krajevima.
- Probadite tvrdu kožu ili opkladu, kako bi se izbjeglo pucanje namirnica.
- Zagrijavajte samo gotova i ohlađena jela, miješajući ih.
- Kokice – strogo se pridržavajte uputa proizvođača i ne ostavljajte mikrovalnu pećnicu bez kontrole. Ako namirnice nisu gotove u zadato vrijeme, prekinite obradu. Suviše trajna obrada može dovesti do zapaljenja.

PAZITE: Ne upotrebljavajte za pripremanje kokica vreće od smeđeg papira i ne probajte iskoristiti ostatke zrna. Ne stavljajte pakovanje s kolicama neposredno na staklenu ploču, nego na tanjur.

PAZITE: U procesu obrade u mikrovalnoj pećnici namirnice je neophodno okretati.

- Po isteku zadatog vremena pećnica će se automatski isključiti, čut će se zvučni signal.

NAPOMENA: Kad su vrata otvorena, pećnica neće raditi.

ČIŠĆENJE I ODRŽAVANJE

- Prije čišćenja isključite pećnicu iz električne mreže.
- Pričekajte da se ohladi.
- Obrišite upravljačku ploču, vanjske i unutrašnje površine, staklenu ploču vlažnom tkaninom s deterdžentom.
- Ne upotrebljavajte agresivna ili abrazivna sredstva.
- Kako bi se udaljio neprijatan miris, nalijte u neki duboki sud, odgovarajući za mikrovalnu pećnicu, čašu vode s sokom od jednog limuna i postavite u pećnicu. Okrenite vremensku sklopku na 5 minuta, mjenjač radnih režima u maksimalni položaj. Kad se bude čuo zvučni signal i pećnica se bude isključila, izvadite sud i obrišite zidove komore suhom tkaninom.

ČUVANJE

- Uvjerite se da je pećnica isključena iz električne mreže i da se potpuno ohladila.
- Ispunite sve zahtjeve odjeljka "ČIŠĆENJE I ODRŽAVANJE".
- Čuvajte pećnicu s malo otvorenim vratima na suhom i prohladnom mjestu.