

Instructions for use

WASHING MACHINE

GB

GB

English,1

SL

Slovenščina,13

CZ

Český,25

RO

Română,37

HU

Magyar,49

WISE 127 X

Contents

Installation, 2-3

Unpacking and levelling, 2
Electric and water connections, 2-3
The first wash cycle, 3
Technical details, 3

Washing machine description, 4-5

Control panel, 4
Display, 5
“MEMO” Programme, 5

Starting and Programmes, 6

Briefly: how to start a programme, 6
Programme table, 6

Personalisations, 7

Setting the spin cycle, 7
Setting the Delay Timer, 7
Setting the temperature, 7
Functions, 7

Detergents and laundry, 8

Detergent dispenser, 8
Bleach cycle, 8
Preparing your laundry, 8
Special items, 8

Precautions and advice, 9

General safety, 9
Disposal, 9
Saving energy and respecting the environment, 9

Care and maintenance, 10

Cutting off the water or electricity supply, 10
Cleaning your appliance, 10
Cleaning the detergent dispenser, 10
Caring for your appliance door and drum, 10
Cleaning the pump, 10
Checking the water inlet hose, 10

Troubleshooting, 11

Service, 12

Before calling for Assistance, 12

Installation

GB

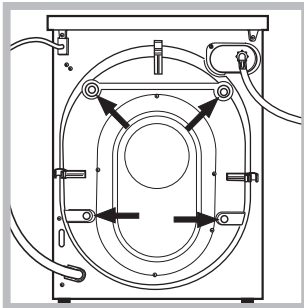
! Keep this instruction manual in a safe place for future reference. Should the appliance be sold, transferred or moved, make sure the instruction manual accompanies the washing machine to inform the new owner as to its operation and features.

! Read these instructions carefully: they contain vital information on installation, use and safety.

Unpacking and levelling

Unpacking

1. Unpack the washing machine.
2. Check whether the washing machine has been damaged during transport. If this is the case, do not install it and contact your retailer.



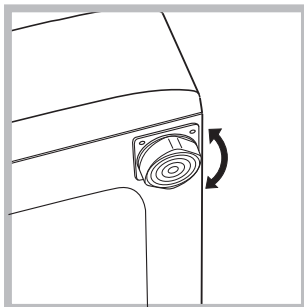
3. Remove the 4 protective screws and the rubber washer with the respective spacer, situated on the rear of the appliance (see figure).

4. Seal the gaps using the plastic plugs provided.
5. Keep all the parts: you will need them again if the washing machine needs to be moved to another location.

! Packaging materials are not children's toys.

Levelling

1. Install the washing machine on a flat sturdy floor, without resting it up against walls, furniture cabinets or other.

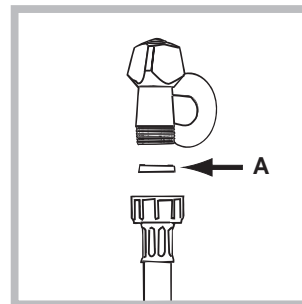


2. If the floor is not perfectly level, compensate for any unevenness by tightening or loosening the adjustable front feet (see figure); the angle of inclination, measured according to the worktop, must not exceed 2°.

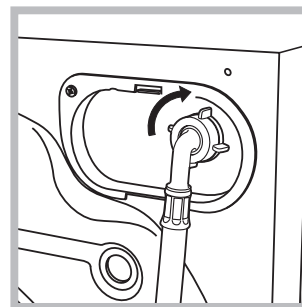
Levelling your appliance correctly will provide it with stability and avoid any vibrations, noise and shifting during operation. If it is placed on a fitted or loose carpet, adjust the feet in such a way as to allow enough room for ventilation beneath the washing machine.

Electric and water connections

Connecting the water inlet hose



1. Insert seal A into the end of the inlet hose and screw the latter onto a cold water tap with a 3/4 gas threaded mouth (see figure). Before making the connection, allow the water to run freely until it is perfectly clear.



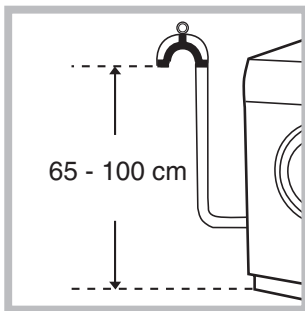
2. Connect the other end of the water inlet hose to the washing machine, screwing it onto the appliance's cold water inlet, situated on the top right-hand side on the rear of the appliance (see figure).

3. Make sure there are no kinks or bends in the hose.

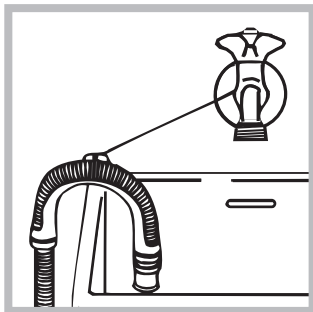
! The water pressure at the tap must be within the values indicated in the Technical details table (on the next page).

! If the water inlet hose is not long enough, contact a specialist store or an authorised serviceman.

Connecting the drain hose



Connect the drain hose, without bending it, to a draining duct or a wall drain situated between 65 and 100 cm from the floor;



alternatively, place it over the edge of a basin, sink or tub, fastening the duct supplied to the tap (see figure). The free end of the hose should not be underwater.

! We advise against the use of hose extensions; in case of absolute need, the extension must have the same diameter as the original hose and must not exceed 150 cm in length.

Electric connection

Before plugging the appliance into the mains socket, make sure that:

- the socket is earthed and in compliance with the applicable law;
- the socket is able to sustain the appliance's maximum power load indicated in the Technical details table (on the right);
- the supply voltage is included within the values indicated on the Technical details table (on the right);
- the socket is compatible with the washing machine's plug. If this is not the case, replace the socket or the plug.

! The washing machine should not be installed in an outdoor environment, not even when the area is sheltered, because it may be very dangerous to leave it exposed to rain and thunderstorms.

! When the washing machine is installed, the mains socket must be within easy reach.

! Do not use extensions or multiple sockets.

! The power supply cable must never be bent or dangerously compressed.

! The power supply cable must only be replaced by an authorised serviceman.

Warning! The company denies all liability if and when these norms are not respected.

The first wash cycle

Once the appliance has been installed, and before you use it for the first time, run a wash cycle with detergent and no laundry, setting the 90°C programme without a pre-wash cycle.

Technical details

Model	WISE 127 X
Dimensions	59.5 cm wide 85 cm high 40 cm deep
Capacity	from 1 to 4,5 kg
Electric connections	voltage 220/230 Volts 50 Hz maximum absorbed power 1850 W
Water connections	maximum pressure 1 MPa (10 bar) minimum pressure 0.05 MPa (0.5 bar) drum capacity 40 litres
Spin speed	up to 1200 rpm
Control programmes according to IEC456 directive	programme 2; temperature 60°C; run with a load of 4,5 kg.



This appliance is compliant with the following European Community Directives:

- 73/23/CEE of 19/02/73 (Low Voltage) and subsequent amendments
- 89/336/CEE of 03/05/89 (Electromagnetic Compatibility) and subsequent amendments
- 2002/96/CE

GB

Installation

Description

Programmes

Detergents

Precautions

Care

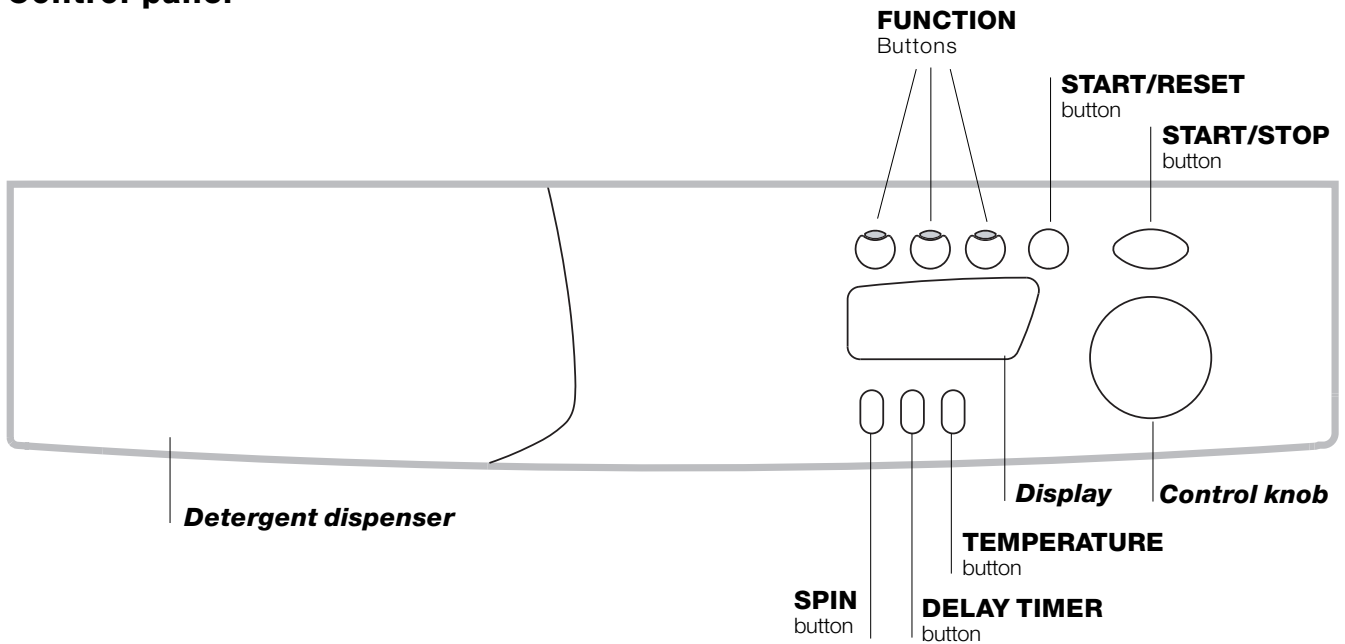
Troubleshooting

Service

Washing machine description

GB

Control panel



Detergent dispenser to add detergent and fabric softener (see page 8).

SPIN button to adjust the spin speed or exclude it altogether (see page 7).

DELAY TIMER button to delay the start of the set programme for a maximum period of 24 hours (see page 7).

TEMPERATURE button to adjust the wash temperature (see page 7).

Display to programme the washing machine and follow the wash cycle progress (see opposite page).

FUNCTION buttons: to select the functions available. The button corresponding to the function selected will remain on.

START/RESET button to start the programmes or cancel any incorrect settings.

START/STOP button to turn the washing machine on and off.

Control knob to select the wash programmes. The knob stays still during the cycle.

Display

In addition to being a practical tool to programme your appliance (see page 7), the display provides useful information concerning the wash cycle.



Once you have pressed the START/RESET button to start the programme, the display will indicate the amount of time left until the end of the wash cycle. If a delayed start has been set (using the Delay Timer, see page 7), the delay time will be indicated on the display.

Door lock:



If the symbol is on, the washing machine door is locked to prevent it from being opened accidentally. To avoid any damages, wait for the symbol to switch itself off before you open the appliance door.

At the end of the programme, the word END is displayed.

! In the event of an anomaly, an error code will appear, such as: F-01, which should be communicated to the Service Centre (see page 12).

"MEMO" Programme

This programme allows you to store your favourite or most-used wash cycle.

All you have to do is set the desired programme and, once it has started, turn the KNOB to position ; the wash cycle will be stored automatically and the word MEMO appears on the display, flashing for a few seconds. Subsequently, you can start the "MEMO" cycle by simply turning the KNOB to position ; you will be able to see the temperature/spin cycle/delay timer values by pressing the corresponding buttons; you will also be able to modify them but this variation will only be valid for the programme in progress and it will not be stored in the "MEMO" cycle.

If you want to store a new wash cycle, repeat the above-mentioned operations.

GB

Installation

Description

Programmes

Detergents

Precautions

Care

Troubleshooting

Service





Starting and Programmes

GB

Briefly: starting a programme

1. Turn the washing machine on by pressing button (I).
2. Load your laundry into the washing machine and shut the appliance door.
3. Set the knob to the desired programme. The estimated duration of the selected programme is displayed. The temperature and spin speed are automatically set according to the programme (to change them, see page 7).
4. Select any functions (see page 7).
5. Add the detergent and any fabric softener (see page 8).
6. Start the programme by pressing the START/RESET button.
To cancel it, keep the START/RESET button pressed for at least 2 seconds.
7. When the programme has ended, the word END is displayed. Take out your laundry and leave the appliance door ajar to allow the drum to dry thoroughly.
8. Turn the washing machine off by pressing button (I).

Programme table

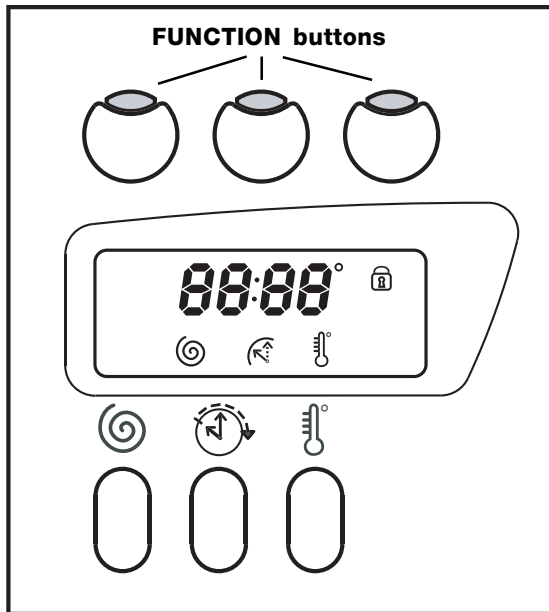
Type of fabric and degree of soil	Programmes	Temperature	Detergent		Fabric softener	Stain removal option/bleach	Cycle length (minutes)	Description of wash cycle
			pre-wash	wash				
Standard								
Extremely soiled whites (sheets, tablecloths, etc.)	1	90°C	•	•	•		135	Pre-wash, wash cycle, rinse cycles, intermediate and final spin cycles
Extremely soiled whites (sheets, tablecloths, etc.)	2	90°C		•	•	Delicate/Traditional	125	Wash cycle, rinse cycles, intermediate and final spin cycles
Heavily soiled whites and fast colours	2	60°C		•	•	Delicate/Traditional	110	Wash cycle, rinse cycles, intermediate and final spin cycles
Heavily soiled whites and delicate colours	2	40°C		•	•	Delicate/Traditional	105	Wash cycle, rinse cycles, intermediate and final spin cycles
Slightly soiled whites and delicate colours (shirts, jumpers, etc.)	3	40°C		•	•	Delicate/Traditional	70	Wash cycle, rinse cycles, intermediate and final spin cycles
Heavily soiled fast colours (baby linen, etc.)	4	60°C		•	•	Delicate	75	Wash cycle, rinse cycles, anti-crease or delicate spin cycle
Heavily soiled fast colours (baby linen, etc.)	4	40°C		•	•	Delicate	60	Wash cycle, rinse cycles, anti-crease or delicate spin cycle
Wool	5	40°C		•	•		50	Wash cycle, rinse cycles, anti-crease and delicate spin cycle
Very delicate fabrics (curtains, silk, viscose, etc.)	6	30°C		•	•		45	Wash cycle, rinse cycles, anti-crease or draining cycle
Time 4 you								
Heavily soiled whites and fast colours	7	60°C		•	•		60	Wash cycle, rinse cycles, intermediate and final spin cycles
Slightly soiled whites and delicate colours (shirts, jumpers, etc.)	8	40°C		•	•		50	Wash cycle, rinse cycles, intermediate and final spin cycles
Delicate colours (all types of slightly soiled garments)	9	40°C		•	•		40	Wash cycle, rinse cycles, delicate spin cycle
Delicate colours (all types of slightly soiled garments)	10	30°C		•	•		30	Wash cycle, rinse cycles and delicate spin cycle
Sport								
Sports shoes (MAX. 2 pairs)	11	30°C		•	•		50	Cold wash (without detergents), wash cycle, rinse cycles, and delicate spin cycle
Fabrics for sportswear (Tracksuits, shorts, etc.)	12	30°C		•	•		60	Wash cycle, rinse cycles, intermediate and final spin cycles
MEMO		Allows for any wash cycle to be stored (see page 5).						
PARTIAL PROGRAMMES								
Rinse					•	Delicate/Traditional		Rinse cycles and spin cycle
Spin								Draining and spin cycle
Drain								Draining

Notes

- For programmes 7 and 8, we advise against exceeding a wash load of 3.5 kg.
- For programme 12 we advise against exceeding a wash load of 2 kg.
- For the anti-crease function: see Easy iron, *opposite page*. The information contained in the table is purely indicative.

Special programme

Daily (programme 10 for Synthetics) is designed to wash lightly soiled garments in a short amount of time: it only lasts 30 minutes and allows you to save on both time and energy. By setting this programme (10 at 30°C), you can wash different fabrics together (except for woollen and silk items), with a maximum load of 3 kg.
We recommend the use of liquid detergent.



Setting the spin cycle

If, when the appliance is switched on, the KNOB is positioned on a programme with a spin cycle, a fixed appears. Press button and the maximum spin speed allowed for the programme set will be displayed, and the icon flashes. Press it again and the values lower until they reach OFF, which indicates that the spin cycle has been excluded (press it again to go back to the maximum value); stop on the desired speed, after approximately 2 seconds the setting is accepted: the symbol remains fixed. The spin cycle setting is enabled with all the programmes except for 6 and the Draining cycle.

Setting the Delay Timer

Press the button and you will see the word OFF on the display, while the relative symbol flashes. Press the button again and "1h" appears, that is, a delay of one hour (this can reach up to 24h); stop on the "desired" delay; after approximately 2 seconds the setting is accepted, following which, the time for the set programme appears on the display and the symbol remains on. If you now press the START/RESET button, the set "delay" appears; this decreases every hour until the start of the cycle. In

this phase, the "delay" can only be modified by decreasing it. The Delay Timer regulation is enabled with all programmes.

Setting the temperature

If, when the appliance is switched on, the KNOB is positioned on a programme for which the temperature needs to be regulated, a fixed appears. Press button and the maximum temperature allowed for the programme set will be displayed and the icon flashes. Press it again and the temperature lowers until it reaches OFF, which indicates a cold wash cycle (press it again to go back to the maximum value); stop on the desired value, after approximately 2 seconds the setting is accepted: the symbol remains fixed. The temperature adjustment is enabled with all wash programmes.

Functions

To enable a function:

1. press the button corresponding to the desired function, according to the table below;
2. the function is enabled when the corresponding button is illuminated.

Note: The rapid flashing of the button indicates that the corresponding function cannot be selected for the programme set.

If you set a function that is incompatible with another function you selected previously, only the last one selected will be enabled.

Function	Effect	Comments	Enabled with programmes:
Stain removal	Bleaching cycle designed to remove the toughest stains.	Please remember to pour the bleach into extra compartment 4 (see page 8). This function is incompatible with the EASY IRON function.	2, 3, 4, Rinse cycle.
Extra Rinse	Increases the efficiency of the rinse.	Recommended when the appliance has a full load or with large quantities of detergent.	1, 2, 3, 4, 7, 8, 9, 11, 12, Rinse cycle.
Easy iron	This option reduces the amount of creasing on fabrics, making them easier to iron.	When this function is set, programmes 4, 5, 6 will end, with the laundry left to soak (Anti-crease), and the relative button flashes: - to conclude the cycle, press the START/RESET button or the EASY IRON button; - to run the draining cycle alone, set the knob to the relative symbol and press the START/RESET button. This function is incompatible with the STAIN REMOVAL function.	3, 4, 5, 6, 7, 8, 9, Rinse cycle.

GB

Installation

Description

Programmes

Detergents

Precautions

Care

Troubleshooting

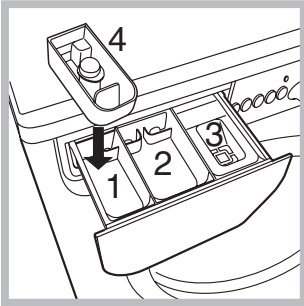
Service

Detergents and laundry

GB

Detergent dispenser

Good washing results also depend on the correct dose of detergent: adding too much detergent won't necessarily make for a more efficient wash, and may in fact cause build up on the interior of your appliance and even pollute the environment.



Open up the detergent dispenser and pour in the detergent and fabric softener, as follows.

compartment 1: Detergent for pre-wash (powder)

Before pouring in the detergent, make sure that extra compartment 4 has been removed.

compartment 2: Detergent for the wash cycle (powder or liquid)

Liquid detergent should only be poured in immediately prior to the wash cycle start.

compartment 3: Additives (fabric softeners, etc.)

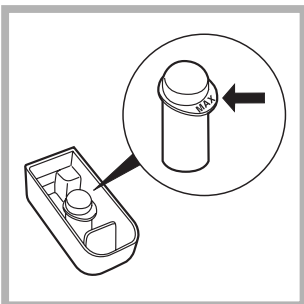
The fabric softener should not overflow from the grid.

extra compartment 4: Bleach


! Do not use hand wash detergent because it may form too much foam.

Bleach cycle

! **Traditional** bleach should be used on sturdy white fabrics, and **delicate** bleach for coloured fabrics, synthetics and for wool.



Place extra compartment 4, provided, into compartment 1. When pouring in the bleach, be careful not to exceed the "max" level indicated on the central pivot (see figure).

To run the bleach cycle alone, pour the bleach into extra compartment 4, set the Rinse programme  and enable the Stain removal function (see page 7). To bleach during a wash cycle, pour in the detergent and fabric softener, set the desired programme and enable the Stain removal function (see page 7). The use of extra compartment 4 excludes the possibility of using the pre-wash cycle.

Preparing your laundry

- Divide your laundry according to:
 - the type of fabric/the symbol on the label.
 - the colours: separate coloured garments from whites.
- Empty all pockets and check for loose buttons.
- Do not exceed the weight limits stated below, which refer to the weight when dry:
 - Sturdy fabrics: max 4,5 kg
 - Synthetic fabrics: max 2.5 kg
 - Delicate fabrics: max 2 kg
 - Wool: max 1 kg

How much does your laundry weigh?

- 1 sheet 400-500 g
- 1 pillow case 150-200 g
- 1 tablecloth 400-500 g
- 1 bathrobe 900-1,200 g
- 1 towel 150-250 g

Special items

Curtains: fold curtains and place them in a pillow case or mesh bag. Wash them separately without exceeding half the appliance load. Use programme 6 which excludes the spin cycle automatically.

Quilted coats and windbreakers: if they are padded with goose or duck down, they can be machine-washed. Turn the garments inside out and load a maximum of 2-3 kg, repeating the rinse cycle once or twice and using the delicate spin cycle.

Wool: for best results, use a specific detergent, taking care not to exceed a load of 1 kg.

! The washing machine was designed and built in compliance with the applicable international safety regulations. The following information is provided for your safety and should consequently be read carefully.

General safety

- This appliance has been designed for non-professional, household use and its functions must not be changed.
- This washing machine should only be used by adults and in accordance with the instructions provided in this manual.
- Never touch the washing machine when barefoot or with wet or damp hands or feet.
- Do not pull on the power supply cable to unplug the appliance from the electricity socket. Pull the plug out yourself.
- Do not open the detergent dispenser while the appliance is in operation.
- Do not touch the drain water as it could reach very high temperatures.
- Never force the washing machine door: this could damage the safety lock mechanism designed to prevent any accidental openings.
- In the event of a malfunction, do not under any circumstances touch internal parts in order to attempt repairs.
- Always keep children well away from the appliance while in operation.
- The appliance door tends to get quite hot during the wash cycle.
- Should it have to be moved, proceed with the help of two or three people and handle it with the utmost care. Never try to do this alone, because the appliance is very heavy.
- Before loading your laundry into the washing machine, make sure the drum is empty.

Disposal

- Disposing of the packaging material: observe local regulations, so the packaging can be re-used.
- The European Directive 2002/96/EC on Waste Electrical and Electronic Equipment, requires that old household electrical appliances must not be disposed of in the normal unsorted municipal waste stream. Old appliances must be collected separately in order to optimise the recovery and recycling of the materials they contain and reduce the impact on human health and the environment.

The crossed out "wheeled bin" symbol on the product reminds you of your obligation, that when you dispose of the appliance it must be separately collected.

Consumers should contact their local authority or retailer for information concerning the correct disposal of their old appliance.

Saving energy and respecting the environment

Environmentally-friendly technology

If you only see a little water through your appliance door, this is because thanks to the latest Indesit technology, your washing machine only needs less than half the amount of water to get the best results: an objective reached to respect the environment.

Saving on detergent, water, energy and time

- To avoid wasting resources, the washing machine should be used with a full load. A full load instead of two half loads allows you to save up to 50% on energy.
- The pre-wash cycle is only necessary on extremely soiled garments. Avoiding it will save on detergent, time, water and between 5 and 15% energy.
- Treating stains with a stain remover or leaving them to soak before washing will cut down the need to wash them at high temperatures. A programme at 60°C instead of 90°C or one at 40°C instead of 60°C will save up to 50% on energy.
- Use the correct quantity of detergent depending on the water hardness, how soiled the garments are and the amount of laundry you have, to avoid wastage and to protect the environment: despite being biodegradable, detergents do contain ingredients that alter the natural balance of the environment. In addition, avoid using fabric softener as much as possible.
- If you use your washing machine from late in the afternoon until the early hours of the morning, you will help reduce the electricity board's peak load. The Delay Timer option (see page 7) helps to organise your wash cycles accordingly.
- If your laundry has to be dried in a tumble dryer, select a high spin speed. Having the least water possible in your laundry will save you time and energy in the drying process.

GB

Installation

Description

Programmes

Detergents

Precautions

Care

Troubleshooting

Service

Care and maintenance

GB

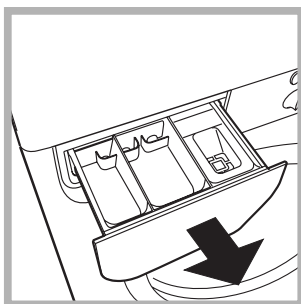
Cutting off the water or electricity supply

- Turn off the water tap after every wash. This will limit the wear of your appliance's water system and also prevent leaks.
- Unplug your appliance when cleaning it and during all maintenance operations.

Cleaning your appliance

The exterior and rubber parts of your appliance can be cleaned with a soft cloth soaked in lukewarm soapy water. Do not use solvents or abrasives.

Cleaning the detergent dispenser



Remove the dispenser by pulling it out (see *figure*). Wash it under running water; this operation should be repeated frequently.

Caring for your appliance door and drum

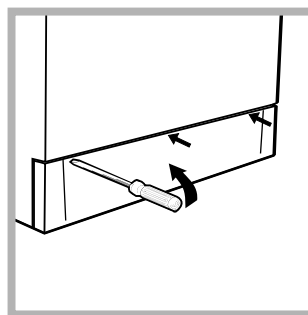
- Always leave the appliance door ajar to prevent unpleasant odours from forming.

Cleaning the pump

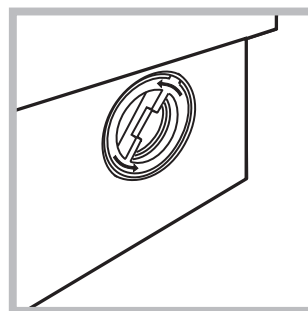
The washing machine is fitted with a self-cleaning pump that does not require any maintenance. Sometimes, small items (such as coins or buttons) may fall into the pre-chamber that protects the pump, situated in the lower part of the same.

! Make sure the wash cycle has ended and unplug the appliance.

To access the pre-chamber:



1. using a screwdriver, remove the cover panel on the lower front of the washing machine (see *figure*);



2. unscrew the lid rotating it anti-clockwise (see *figure*): a little water may trickle out. This is perfectly normal;

3. clean the interior thoroughly;
4. screw the lid back on;
5. reposition the panel, making sure the hooks are securely in place before you push it onto the appliance.

Checking the water inlet hose

Check the water inlet hose at least once a year. If you see any cracks, replace it immediately: during the wash cycles, water pressure is very strong and a cracked hose could easily split open.

! Never use hoses that have already been used.

Your washing machine could fail to work. Before calling for Assistance (see page 12), make sure the problem can't easily be solved by consulting the following list.


Problem

Possible causes/Solution:

The washing machine won't start.

- The appliance is not plugged into the socket, or not enough to make contact.
- There has been a power failure.

The wash cycle won't start.

- The appliance door is not shut properly (the word DOOR is displayed).
- The  button has not been pressed.
- The START/RESET button has not been pressed.
- The water tap is not turned on.
- A delayed start has been set (using the Delay Timer, see page 7).

The washing machine fails to load water (The wording H2O is displayed).

- The water inlet hose is not connected to the tap.
- The hose is bent.
- The water tap is not turned on.
- There is a water shortage.
- The water pressure is insufficient.
- The START/RESET button has not been pressed.

The washing machine continuously loads and unloads water.

- The drain hose is not fitted between 65 and 100 cm from the floor (see page 3).
- The free end of the hose is underwater (see page 3).
- The wall drainage system doesn't have a breather pipe.

If the problem persists even after these checks, turn off the water tap, switch the appliance off and call for Assistance. If the dwelling is on one of the upper floors of a building, there may be drain trap problems causing the washing machine to load and unload water continuously. In order to avoid such an inconvenience, special anti-drain trap valves are available in shops.

The washing machine does not drain or spin.

- The programme does not foresee the draining: some programmes require enabling the draining manually (see page 6).
- The Easy iron option is enabled: to complete the programme, press the START/RESET button (see page 7).
- The drain hose is bent (see page 3).
- The drain duct is clogged.

The washing machine vibrates too much during the spin cycle.

- The drum was not unblocked correctly during installation (see page 2).
- The washing machine is not level (see page 2).
- The washing machine is closed in between furniture cabinets and the wall (see page 2).

The washing machine leaks.

- The water inlet hose is not screwed on correctly (see page 2).
- The detergent dispenser is obstructed (to clean it, see page 10).
- The drain hose is not secured properly (see page 3).

There is too much foam.

- The detergent is not suitable for machine washing (it should bear the definition "for washing machines" or "hand and machine wash", or the like).
- You used too much detergent.

GB

Installation

Description

Programmes

Detergents

Precautions

Care

Troubleshooting

Service

Service

GB

Before calling for Assistance:

- Check whether you can solve the problem on your own (*see page 11*);
- Restart the programme to check whether the problem has been solved;
- If this is not the case, contact an authorised Technical Service Centre on the telephone number provided on the guarantee certificate.

! Always request the assistance of authorised servicemen.

Notify the operator of:

- the type of problem;
- the appliance model (Mod.);
- the serial number (S/N).

This information can be found on the data plate situated on the rear of the washing machine.

SL

Slovenščina

WISE 127 X

Vsebina

SL

Namestitev, 14-15

Odstranitev embalaže in izravnavanje, 14
Priključitev na vodovodno in električno napeljavo, 14-15
Prvo pranje, 15
Tehnični podatki, 15

Opis pralnega stroja, 16-17

Upravljalna plošča, 16
Prikazovalnik, 17
Program "MEMO", 17

Zagon in različni pralni programi, 18

Na kratko: kako zagnati program pranja, 18
Tabela pralnih programov, 18

Posebne nastavitve, 19

Nastavitev centrifuge, 19
Funkcija delay timer, 19
Nastavitev temperature, 19
Funkcije, 19

Pralna sredstva in perilo, 20

Predal za pralna sredstva, 20
Pranje z belilom, 20
Priprava perila, 20
Posebne vrste perila, 20

Opozorila in nasveti, 21

Varnost, 21
Ravnanje z odpadnim materialom, 21
Varčevanje in skrb za okolje, 21

Vzdrževanje in čiščenje, 22

Odklop vodovodne in električne napeljave, 22
Čiščenje pralnega stroja, 22
Čiščenje predala za pralna sredstva, 22
Vzdrževanje vratc in bobna, 22
Čiščenje črpalke, 22
Pregled cevi za dotok vode, 22

Motnje in njihovo odpravljanje, 23

Pomoč, 24

Preden pokličete pooblaščen servis, 24

Namestitev

SL

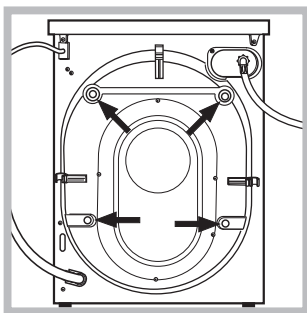
! Shranite to knjižico, da jo boste lahko po potrebi uporabili. Če boste pralni stroj prodali, ga nehalno uporabljati ali premestili drugam, naj bo knjižica pri njem, tako da se bo novi lastnik lahko seznanil z delovanjem in ustreznimi opozorili.

! Pozorno preberite navodila. Našli boste pomembne informacije glede namestitve, uporabe in zagotavljanja varnosti.

Odstranitev embalaže in izravnavanje

Odstranitev embalaže

1. Odstranite embalažo
2. Preverite, da ni bil pralni stroj med prevozom poškodovan. Če je poškodovan, ga ne priključite, ampak obvestite prodajalca.



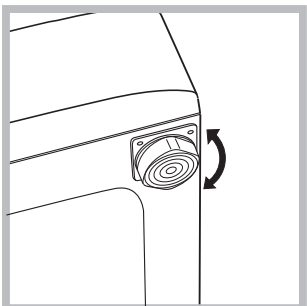
3. Odstranite vse 4 zaščitne vijake in gumico z distančnikom na zadnji strani (glej sliko).

4. S priloženimi plastičnimi čepi zaprite odprtine.
5. Vse odstranjene dele shranite. Če bo pralni stroj potrebno prevažati, jih bo treba spet namestiti.

! Embalaža ni primerna kot igrača za otroke

Izravnavanje

1. Pralni stroj namestite na ravna in trda tla. Naj se ne dotika sten, pohištva ipd.

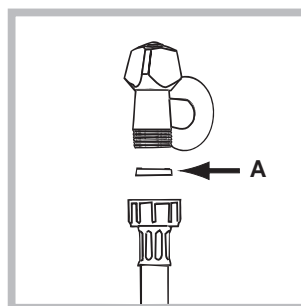


2. Če tla niso popolnoma vodoravna, z odvijanjem ali zavijanjem prednjih nožic uravnajte lego pralnega stroja (glej sliko). Nagib na delovni površini ne sme presegati 2°.

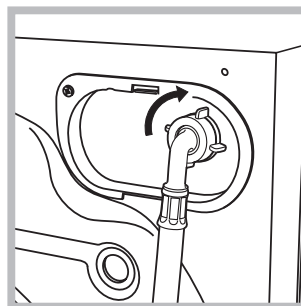
Natančno izravnanje poveča stabilnost pralnega stroja in preprečuje vibracije, hrup in premikanje med delovanjem. Če je na tleh tapison ali preproga, uravnajte nožice tako, da bo pod pralnim strojem ostalo nekaj prostora za prezračevanje.

Priključitev na vodovodno in električno napeljavo

Priključitev dotočne cevi za vodo



1. Vstavite tesnilo A na konec dotočne cevi; cev privijte na pipo za dotok hladne vode s 1" navojem (glej sliko). Predtem pustite teči vodo, dokler ne bo čista.



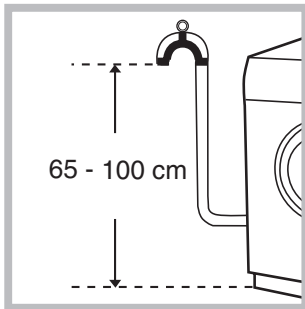
2. Dotočno cev privijte na ustrezen priključek na zadnji strani pralnega stroja zgoraj desno (glej sliko).

3. Pazite, da cev ne bo prepognjena ali stisnjena.

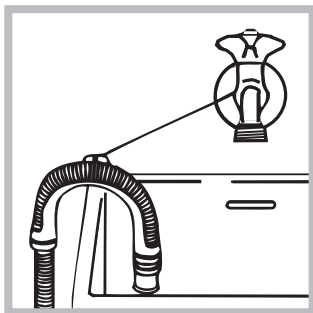
! Vodni tlak v pipi mora biti v mejah vrednosti, ki so zapisane v tabeli tehničnih podatkov (glej naslednjo stran).

! Če dotočna cev ni dovolj dolga, se obrnite na specializirano trgovino ali na pooblaščen servis.

Namestitev odtočne cevi



Odtočno cev, ki ne sme biti prepognjena, priključite na odtočni sistem ali na odtok na zidu, ki sta v višini 65 - 100 cm od tal;



ali jo naslonite na rob umivalnika ali korita; s priloženim vodilom jo pritrдите na pipo (glej sliko). Prosti konec odtočne cevi ne sme biti potopljen v vodo.

! Odsvetujemo uporabo podaljška za odtočno cev. Če je to nujno, naj ima podaljšek isti premer in naj ne bo daljši od 150 cm.

Priključitev na električno napeljavo

Preden pralni stroj priključite na električno napeljavo, se prepričajte, če:

- je električni priključek ozemljen in neoporečen;
- električni priključek zmore največjo obremenitev moči pralnega stroja, ki je zapisana v tabeli tehničnih podatkov (glej poleg);
- električna napetost v vtičnici ustreza vrednostim v tabeli tehničnih podatkov (glej poleg);
- vtičnica ustreza vtikaču pralnega stroja. V nasprotnem primeru je treba zamenjati vtičnico ali vtikač.

! Pralni stroj ne sme biti nameščen na prostem (čeprav je pod streho), saj ga je zelo nevarno izpostavljati dežju in nevihtam.

! Ko je pralni stroj nameščen, naj bo vtičnica lahko dosegljiva.

! Ne uporabljajte podaljškov in razdelivcev.

! Kabel naj ne bo prepognjen ali stisnjen.



! Električni kabel lahko zamenja le pooblaščen serviser.

Pozor! V primeru neupoštevanja teh navodil naše podjetje ne sprejema nobene odgovornosti.

Prvo pranje

Po priključitvi in pred uporabo zaženite prvo pranje z detergentom in brez perila. Prvo pranje naravnajte na 90°C brez predpranja.

Tehnični podatki

Model	WISE 127 X
Dimenzije	širina 59,5 cm višina 85 cm globina 40 cm
Zmogljivost	1 - 4,5 kg
Električna napeljava	napetost 220/230 V, 50 Hz maksimalna poraba moči 1850 W
Vodovodni priključek	največji dovoljeni tlak 1 MPa (10 b) najmanjši dovoljeni tlak 0,05 MPa (0,5 b) prostornina bobna 40 litrov
Hitrost centrifuge	do 1200 vrtljajev na minuto
Kontrolni program po standardu IEC456	program 2; temperatura 60°C; z obremenitvijo 4,5 kg.
	Pralni stroj je izdelan v skladu z veljavnimi mednarodnimi predpisi: - EEC 73/23 z dne 19.2.1973 (Nizka napetost) s kasnejšimi spremembami - EEC 89/336 z dne 3.5.1989 (Elektromagnetna kompatibilnost) s kasnejšimi spremembami - 2002/96/CE
	

SL

Namestitev

Opis

Programi

Pralna sredstva

Opozorila

Vzdrževanje

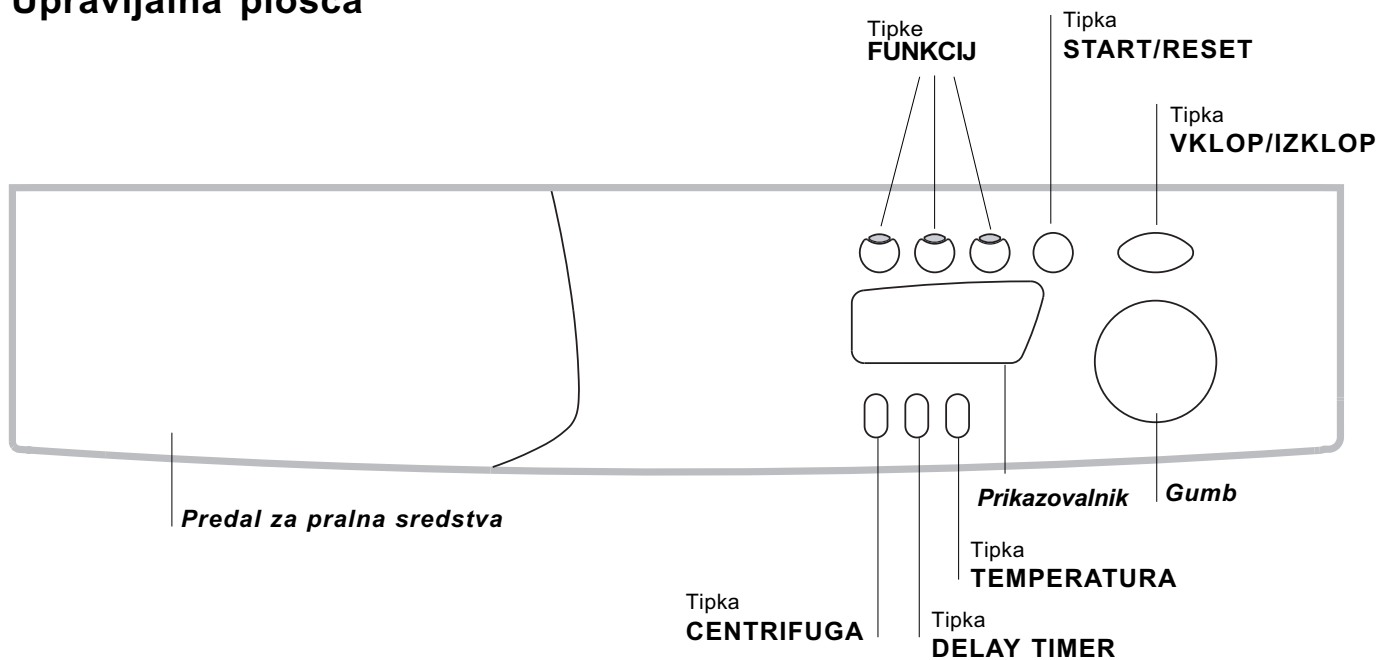
Motnje

Pomoč

Opis pralnega stroja

SL

Upravljalna plošča



Predal za pralna sredstva za odmerjanje detergentov in dodatkov (glej str. 20).

Tipka **CENTRIFUGA** za nastavitev hitrosti centrifuge ali njen izklop (glej str. 19).

S tipko **DELAY TIMER** lahko zakasnimo začetek pranja in sicer za največ 24 ur (glej str. 19).

Tipka **TEMPERATURA** za nastavitev temperature pranja (glej str. 19).

Prikazovalnik za nastavitev pralnega programa in spremljanje poteka pranja (glej naslednjo stran).

Tipke **FUNKCIJ**: za nastavitev razpoložljivih funkcij. Tipka za izbrano funkcijo bo ostala prižgana.

Tipka **START/RESET** za zagon programov ali izbris napačnih nastavitev.

Tipka **VKLOP/IZKLOP** za vklop in izklop pralnega stroja.

Gumb za izbiranje programov. Med potekom pranja se gumb ne premika.

Prikazovalnik

Prikazovalnik služi za programiranje pranja (glej str. 19), poleg tega pa nas tudi sproti obvešča o poteku pranja.



Ko pritisnemo na tipko START/RESET za zagon pralnega programa, se na prikazovalniku pokaže čas, ki bo potreben do konca pranja. Če je nastavljena zakasnitev začetka pranja, bo to prikazano ("Delay Timer", glej str. 19)



Vrata so blokirana:

Prižgani znak pomeni: vrata so blokirana, da jih ne bi pomotoma odprli. Preden odprete vrata, morate počakati, da znak ugasne, sicer lahko pride do poškodb.

Na koncu pranja se pokaže napis END.

! Če pride do nepravilnosti, se pokaže koda napake, na primer F-01. Kodo napake sporočimo na pooblaščen servis (glej str. 24).

Program "MEMO"

S to funkcijo lahko shranimo v spomin pralni program, ki ga najraje ali najpogosteje uporabljamo. Nastavimo željeni program, ga zaženemo in nato zavrtimo GUMB na položaj . Pralni program se bo samodejno shranil v spomin in na prikazovalniku se bo za nekaj trenutkov prikazal utripajoči napis "MEMO". Kasneje lahko ta v spomin shranjeni program "MEMO" zaženemo preprosto tako, da GUMB zavrtimo na položaj ; s pritiskom na ustrezne tipke boste lahko preverili nastavljene vrednosti temperature, centrifuge in zakasnitve začetka pranja; te vrednosti boste lahko tudi spremenili, pri tem pa bodo spremembe veljale le za tekoči pralni program in ne bodo shranjene v spomin (v program "MEMO"). Če želite v spomin shraniti drug pralni program, ponovite zgoraj opisani potek.

SL

Namestitev

Opis

Programi

Pralna sredstva

Opozorila

Vzdrževanje

Motnje

Pomoč

Zagon in različni pralni programi





SL

Na kratko: kako zagnati program pranja

1. Prižgite pralni stroj s pritiskom na tipko (⏻).
2. Perilo dajte v pralni stroj in zaprite vratca.
3. Z gumbom nastavite željeni program. Na prikazovalniku se bo pokazal predvideni čas pranja. Temperatura in hitrost centrifuge se samodejno naravnata glede na izbrani program (za spremembo nastavitve *glej str. 19*).

4. Izberite funkcije po želji (*glej str. 19*).
5. Vstavite detergent in dodatke (*glej str. 20*).
6. Poženite program s pritiskom na tipko START/RESET.
Za preklic držite tipko START/RESET najmanj 2 sekundi.
7. Ob zaključku programa se pokaže napis END. Perilo vzemite ven, vratca pa pustite priprta, da se boben osuši.
8. Ugasnite pralni stroj s pritiskom na tipko (⏻).

Tabela pralnih programov

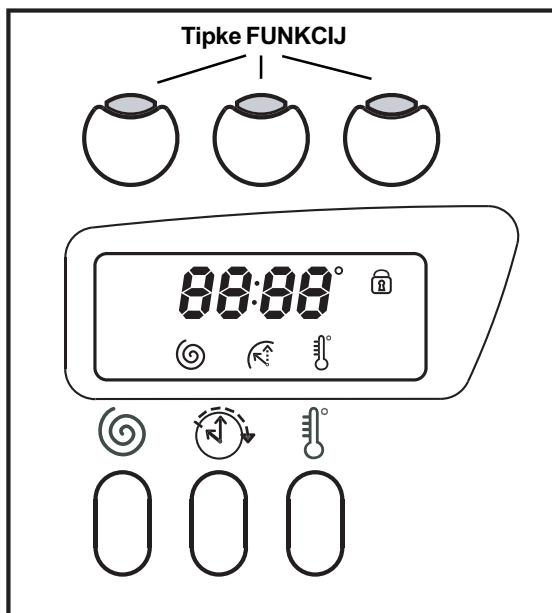
Lastnosti tkanine in stopnja umazanosti	Program	Temperatura	Detergent		Mehčalec	Uporaba belila	Trajanje programa (v minutah)	Potek programa
			predpranje	pranje				
Standardno perilo								
Belo perilo, zelo močno umazano (rjuhe, prti ipd.)	1	90°C	•	•	•		135	Predpranje, pranje, izpiranje, vmesno in končno ožemanje
Belo perilo, zelo močno umazano (rjuhe, prti ipd.)	2	90°C		•	•	nežno / navadno	125	Pranje, izpiranje, vmesno in končno ožemanje
Belo perilo in vzdržljivo barvno perilo, močno umazano	2	60°C		•	•	nežno / navadno	110	Pranje, izpiranje, vmesno in končno ožemanje
Belo in občutljivo barvno perilo, močno umazano	2	40°C		•	•	nežno / navadno	105	Pranje, izpiranje, vmesno in končno ožemanje
Malo umazano belo perilo in občutljivo barvno perilo (srajce, majice ipd.)	3	40°C		•	•	nežno / navadno	70	Pranje, izpiranje, vmesno in končno ožemanje
Vzdržljivo barvno perilo, močno umazano (oblačila za dojenčke ipd.)	4	60°C		•	•	nežno	75	Pranje, izpiranje, mehčanje ali blago ožemanje
Vzdržljivo barvno perilo, močno umazano (oblačila za dojenčke ipd.)	4	40°C		•	•	nežno	60	Pranje, izpiranje, mehčanje ali blago ožemanje
Volna	5	40°C		•	•		50	Pranje, izpiranje, mehčanje in blago ožemanje
Zelo občutljive tkanine (zavese, svila, viskoza ipd.)	6	30°C		•	•		45	Pranje, izpiranje, mehčanje ali izpraznitev
Time 4 you								
Belo perilo in vzdržljivo barvno perilo, močno umazano	7	60°C		•	•		60	Pranje, izpiranje, vmesno in končno ožemanje
Malo umazano belo perilo in občutljivo barvno perilo (srajce, majice ipd.)	8	40°C		•	•		50	Pranje, izpiranje, vmesno in končno ožemanje
Občutljivo barvno perilo (malo umazano perilo vseh vrst)	9	40°C		•	•		40	Pranje, izpiranje in blago ožemanje
Občutljivo barvno perilo (malo umazano perilo vseh vrst)	10	30°C		•	•		30	Pranje, izpiranje in blago ožemanje
Športna oblačila								
Športne copate (maksimalno 2 para.)	11	30°C		•	•		50	Pranje brez detergenta, pranje, izpiranje in blago ožemanje
Tkanine športnih oblačil (trenirke, nogavice ipd.)	12	30°C		•	•		60	Pranje, izpiranje, vmesno in končno ožemanje
MEMO		Omogoča shranitev v spomin kateregakoli pralnega programa (<i>glej str. 17</i>).						
DELNI PROGRAMI								
Izpiranje					•	nežno / navadno		Izpiranje in ožemanje
Ožemanje								Izpraznitev in ožemanje
Izpraznitev								Izpraznitev

Opombi

- Pri programih 7 - 8 je priporočljiva manjša količina perila: ne več kot 3,5 kg.
- Pri programu 12 je priporočljivo, da perilo v pralnem stroju ne presega 2 kg.
- Podatki v tej tabeli so zgolj informativni. Za opis postopka proti mečkanju *glej tabelo na naslednji strani*.

Posebni program

Polurni program (program 10 za sintetiko) je posebej prilagojen za pranje manj umazanega perila v čim krajšem času: traja samo 30 minut in tako prihrani energijo in čas. S tem programom (program 10 pri 30°C) je mogoče prati skupaj različne tkanine (razen volne in svile), ki skupaj ne smejo tehtati več kot 3 kg. *Pri tem programu priporočamo uporabo tekočega detergenta.*



Nastavitev centrifuge

Če je ob vključitvi pralnega stroja GUMB naravnano na program, ki omogoča nastavitev hitrosti centrifuge, znak (☉) miruje (ne utripa). Ob pritisku na tipko (☉) se pokaže maksimalna hitrost centrifuge, ki jo nastavljeni program omogoča; znak (☉) pri tem utripa. Z nadaljnjim pritiskanjem se hitrost centrifuge znižuje vse do napisa OFF, ki označuje izklop centrifuge (ob ponovnem pritisku se spet pokaže maksimalna vrednost). Ustavite se pri željeni hitrosti; po približno dveh sekundah bo izbira sprejeta: znak (☉) bo obmiroval. Hitrost centrifuge je mogoče uravnati pri vseh programih, razen pri programih 6 in "izčrpanje vode".

Funkcija delay timer

Ob pritisku na tipko (⌚) se bo na prikazovalniku pokazal napis OFF, ustrezní znak pa bo utripal.

Ob ponovnem pritisku se na prikazovalniku pokaže napis "1h", to je zakasnitev za eno uro, in tako naprej vse do 24h. Ustavite se pri željeni "zakasnitvi"; po približno dveh sekundah bo izbira sprejeta: na prikazovalniku se bo pokazala čas zakasnitve pralnega programa in znak (⌚) bo obmiroval.

Ob pritisku na tipko START/RESET se bo sedaj pokazal čas

"zakasnitve", ki se bo zmanjševal vsako uro vse do zagona pranja. V tej fazi je "zakasnitev" mogoče spremeniti le v smer manjše zakasnitve. Funkcijo Delay Timer je mogoče uporabiti za vse pralne programe.

Nastavitev temperature

Če je ob vključitvi pralnega stroja GUMB naravnano na program, ki omogoča nastavitev temperature, znak (🌡️) miruje (ne utripa). Ob pritisku na tipko (🌡️) se pokaže maksimalna temperatura, ki jo nastavljeni program omogoča; znak (🌡️) pri tem utripa. Z nadaljnjim pritiskanjem se temperatura znižuje vse do napisa OFF, ki označuje pranje s hladno vodo (ob ponovnem pritisku se spet pokaže maksimalna temperatura). Ustavite se pri željeni temperaturi; po približno dveh sekundah bo izbira sprejeta: znak (🌡️) bo obmiroval. Temperaturo je mogoče uravnati pri vseh pralnih programih.

Funkcije

Pralni stroj omogoča različne funkcije za doseganje takšne stopnje čistosti, kakršno želite. Za izbiro posameznih funkcij:

1. pritisnite tipko za ustrezno funkcijo (glej spodnjo tabelo);
2. prižgana tipka pomeni, da je funkcija aktivirana.

Pozor: Hitro utripanje tipke označuje, da funkcija ni združljiva z izbranim programom.

Če boste izbrali dve med seboj nezdružljivi funkciji, bo aktivirana samo tista, ki ste jo izbrali nazadnje.

Funkcije	Učinek	Opombe za uporabo	Na razpolago:
Belilo	Postopek pranja z belilom za odstranitev trdovratnih madežev.	Ne pozabite dati belila v dodatno posodico 4 (glej str. 20). Ni združljivo s funkcijo Postopek proti mehčanju .	pri programih 2, 3, 4, "izpiranje"
Dodatno izpiranje	Poveča učinek izpiranja.	Priporočljivo pri maksimalni obremenitvi (5 kg) pralnega stroja ali pri večjih odmerkih detergenta.	pri programih 1, 2, 3, 4, 7, 8, 9, 11, 12, "izpiranje"
Postopek proti mehčanju	Ublaži mehčanje tkanin in tako olajša likanje.	Ob nastavitvi te funkcije se programi 4, 5, 6 prekinejo v fazi mehčanja perila (postopek proti mehčanju); pri tem ustrezní znak utripa. - za dokončanje pranja pritisnite na tipko START/RESET ali na funkcijo Postopek proti mehčanju .; - če želite tu končati program, naravnajte gumb na znak (⏏) in pritisnite na tipko START/RESET. Ni združljivo s funkcijo Belilo .	pri programih 3, 4, 5, 6, 7, 8, 9, "izpiranje"

SL

Namestitev

Opis

Programi

Pralna sredstva

Opozorila

Vzdrževanje

Močnje

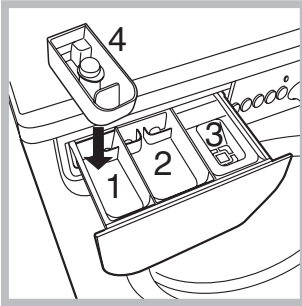
Pomoč

Pralna sredstva in perilo

SL

Predal za pralna sredstva

Dobri učinki pranja so odvisni tudi od pravilnega odmerjanja pralnih sredstev. Če z njimi pretiravamo, perilo ni nič bolje oprano, povečamo pa verjetnost nastajanja usedlin v pralnem stroju in onesnaževanje okolja.



Odprite predal za pralna sredstva in v posamezne prekate dajte detergent oziroma dodatke po naslednjih navodilih:

Prekat 1: detergent za predpranje (v prahu)

Preden odmerite ustrezno količino detergenta, se prepričajte, da v prekat ni vstavljena dodatna posodica 4.

Prekat 2: detergent za pranje (v prahu ali tekočini)

Tekoči detergent smemo vliati v prekat le neposredno pred pranjem.

Prekat 3: dodatki (mehčalec idr.)

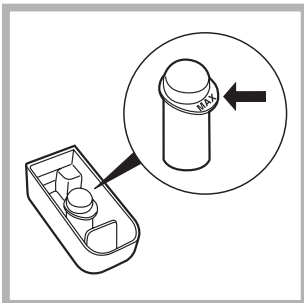
Mehčalec naj se ne izliva preko rešetke prekata.

Dodatna posodica 4: belilo


! Ne uporabljajte detergentov za ročno pranje, ker se preveč penijo.

Pranje z belilom

! Navadno belilo uporabljamo za bele in vzdržljive tkanine, nežno belilo pa za barvne, sintetične in volnene tkanine.



Priloženo dodatno posodico 4 vstavite v prekat 1. Belilo naj ne presega oznake "max" na stebričku (glej sliko).

Če želite opraviti zgolj pranje z belilom, dajte belilo v dodatno posodico 4, naravnajte program "izpiranje"  in vključite možnost "belilo" (glej str. 19). Če želite uporabiti belilo kot dodatek med siceršnjim potekom pranja, dajte detergent in dodatke v ustrezne prekate, izberite željeni program in vključite možnost "belilo" (glej str. 19).

Uporaba dodatne posodice 4 ni združljiva s predpranjem.

Priprava perila

- Perilo razvrstite po:
 - vrsti tkanine / znaku na etiketi.
 - barvi: ločite barvno perilo od belega perila.
- Izpraznite žepe in preglejte gumbe.
- Ne obremenite pralnega stroja preko navedene teže suhega perila:

Vzdržljive tkanine: največ 4,5 kg

Sintetične tkanine: največ 2,5 kg

Občutljive tkanine: največ 2 kg

Volna: največ 1 kg

Koliko tehta perilo?

1 rjuha 400-500 gr.

1 prevleka za blazino 150-200 gr.

1 prt 400-500 gr.

1 kopalni plašč 900-1.200 gr.

1 brisača 150-250 gr.

Posebne vrste perila

Zavese: Namestite jih v prevleko ali mrežasto vrečo.

Perite jih posebej, njihova teža pa naj ne presega polovične obremenitve. Uporabite program 6, ki samodejno izključi ožemanje.

Pernice in bunde s puhom: Če je polnilo iz gosjega ali račjega perja, je možno pranje v pralnem stroju. Oblečila obrnite. Perila naj ne bo več kot 2-3 kg. Ponovno izpiranje vključite še enkrat ali dvakrat in uporabite nežno ožemanje.

Volna: Za boljši učinek uporabite poseben detergent za volno. Perila naj ne bo več kot 1 kg.

! Ta pralni stroj je izdelan po mednarodnih varnostnih predpisih. Pozorno preberite naslednja opozorila, ki so zapisana zaradi večje varnosti.

Varnost

- Ta naprava je bila zasnovana za uporabo v gospodinjstvu in ne za profesionalno uporabo. Zaradi tega ne smete spreminjati funkcij naprave.
- Pralni stroj smejo uporabljati le odrasle osebe po navodilih v tej knjižici.
- Ne dotikajte se pralnega stroja, če ste bosí. Prav tako se ga ne dotikajte, če imate roke ali noge mokre ali vlažne.
- Pri odklapanju od električnega omrežja v vtičnici ne vlecite za kabel, ampak primite za vtičač.
- Med pranjem ne odpirajte predala za pralna sredstva.
- Ne dotikajte se odvodne vode, ki je lahko zelo vroča.
- V nobenem primeru vratc ne odpirajte na silo. Poškodujete lahko varnostni mehanizem, ki preprečuje, da bi se vratca po nesreči odprla.
- Če pride do okvare, se ne spuščajte v popravila notranjih mehanizmov na svojo roko.
- Vedno pazite, da se otroci ne približajo delujočemu pralnemu stroju.
- Med pranjem vratca lahko postanejo vroča.
- Če morate pralni stroj prestaviti, bodite vsaj dva ali trije. Nikoli ga ne prestavljajte sami, ker je zelo težak.
- Preden vstavite perilo, preverite, ali je boben prazen.

Ravnanje z odpadnim materialom

- Embalaža:
Upoštevajte lokalne predpise in priporočila o ravnanju z odpadki, tako da bodo deli embalaže lahko predelani.
- Evropska direktiva 2002/96/EC za Odslužene Električne in Elektronske Naprave in Opremo zahteva, da se odslužene elektronske in električne naprave zbirajo in odlagajo ločeno od navadnih nesortiranih gospodinjskih odpadkov. Namen te uredbe je optimizacija zbiranja in reciklaže materialov v napravah, ki lahko vplivajo na zdravje ljudi in na okolje. Simbol „prečrtan smetnjak“ na izdelku vas opozarja na vašo obveznost, da morate te odslužene naprave zbirati ločeno.

Uporabniki lahko vse informacije o pravilnem ravnanju z odsluženim aparatom dobijo pri lokalnih oblasteh ali prodajalcih.

Varčevanje in skrb za okolje

Okolju prijazna tehnologija

Skozi vratca boste videli le malo vode. Razlog je v novi tehnologiji znamke Indesit, pri kateri zadošča manj kot polovica običajne uporabe vode za najboljšo čistočo. Namen te tehnologije je varovanje okolja.

Prihranek pri pralnih sredstvih, vodi, energiji in času

- Za varčevanje z viri je priporočljiva polna obremenitev s perilom. Ena polna obremenitev namesto dvakratne polovične pomeni 50 odstotni prihranek energije.
- Predpranje je potrebno le za zelo umazano perilo. Če se odpovemo predpranju, to pomeni prihranek detergenta, časa, vode in energije (5-15%).
- Odstranjevanje madežev: Če uporabimo poseben odstranjevalec madežev ali perilo pred pranjem namakamo, lahko peremo na nižji temperaturi. Pranje pri 60°C namesto pri 90°C (ali pri 40°C namesto pri 60°C) prihrani do 50% energije.
- Z ustreznim odmerjanjem pralnih sredstev glede na trdoto vode, stopnjo umazanosti in količino perila se izognete potratu in varujete okolje. Tudi biorazgradljivi detergenti vsebujejo snovi, ki spreminjajo naravno ravnovesje. Kolikor je mogoče, se izogibajte uporabi mehčalca.
- Varčujete lahko tudi s pranjem v časovnem obdobju, ko je električni tok cenejši. Možnost "zakasnitev začetka pranja" (glej str. 19) vam lahko pri tem zelo pomaga.
- Če uporabljate električni sušilnik za perilo, naravnajte visoko hitrost centrifuge. Tako boste pri sušenju prihranili čas in energijo.

SL

Namestitev

Opis

Programi

Pralna sredstva

Opozorila

Vzdrževanje

Motnje

Pomoč

Vzdrževanje in čiščenje

SL

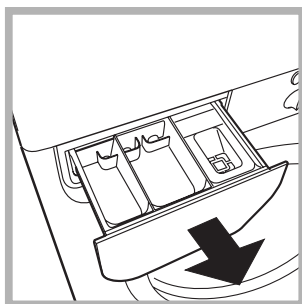
Odklop vodovodne in električne napeljave

- Po vsakem pranju zaprite pipo za dotok vode. Tako zmanjšate izrabo vodovodnega sistema v pralnem stroju in preprečite, da bi voda odtekala.
- Med čiščenjem in vzdrževalnimi deli na pralnem stroju potegnite kabel iz vtičnice.

Čiščenje pralnega stroja

Zunanost in dele iz gume čistite z krpo, namočeno v mlačno milnico. Ne uporabljajte topilnih in abrazivnih čistilnih sredstev.

Čiščenje predala za pralna sredstva



Predal izvlečete tako, da ga privzdignete in potegnete navzven (glej sliko). Operite ga pod tekočo vodo. To čiščenje je treba pogosto opravljati.

Vzdrževanje vratc in bobna

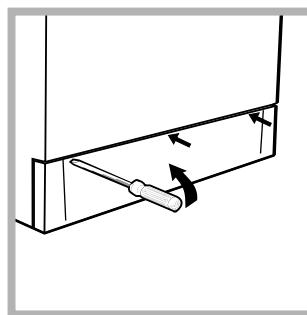
- Vratca pustite vedno odprta, da preprečite nastajanje neprijetnih vonjav.

Čiščenje črpalke

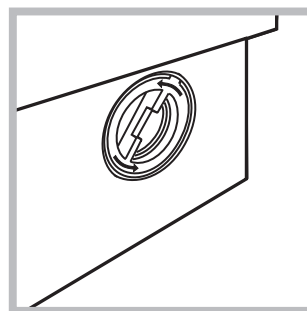
V pralnem stroju je črpalka, ki se čisti sama in ne potrebuje rednega vzdrževanja. Vendar se lahko zgodi, da majhni predmeti (kovanci, gumbi) padejo v predprostor, ki stoji nad črpalko in jo ščiti.

! Prepričajte se, da je pranje končano. Kabel potegnite iz vtičnice.

Dostop do predprostora:



1. S pomočjo izvijača odstranite ploščo na prednji strani pralnega stroja (glej sliko);



2. Odvijte pokrovček v smer, nasprotno urinemu kazalcu (glej sliko). Normalno je, da pri tem izteče malo vode;

3. Skrbno očistite notranjost;
4. Pokrovček zavijte nazaj;
5. Ploščo namestite nazaj. Preden jo potisnete, se prepričajte, da so kljukice nameščene v ustrezne reže.

Pregled cevi za dotok vode

Cev za dotok vode preglejte vsaj enkrat letno. Če je v cevi videti razpoke, jo je potrebno zamenjati. Lahko bi se zgodilo, da bi močni pritiski med pranjem povzročili nenadno razpoko.

! Ne uporabljajte rabljenih cevi.

Motnje in njihovo odpravljanje

Lahko se zgodi, da pralni stroj ne deluje. Preden se obrnete na servis (*glej str. 24*), preverite s pomočjo naslednjega seznama, če gre za katero od naštetih lahko odpravljevih motenj.

Motnje:

Pralni stroj se ne vključi.

Možni vzroki / rešitve:

- Vtikač ni vstavljen v vtičnico električne napeljave oziroma je slabo vstavljen, tako da ni stika.
- V napeljavi ni električnega toka.

Postopek pranja se ne prične.

- Vrata niso dobro zaprta (na prikazovalniku se pokaže napis DOOR).
- Niste pritisnili na tipko (ⓘ).
- Niste pritisnili na tipko START/RESET.
- Dotok vode je zaprt.
- Nastavljena je zakasnitev začetka pranja ("Delay Timer", *glej str. 19*).

Pralni stroj se ne polni z vodo (Na prikazovalniku se pokaže napis H₂O).

- Cev za dotok vode ni povezana z vodovodom.
- Cev je prepognjena.
- Dotok vode je zaprt.
- V vodovodni napeljavi ni vode.
- Tlak v vodovodu je prenizek.
- Niste pritisnili na tipko START/RESET.

Voda neprestano priteka v pralni stroj in odteka iz njega.

- Odtočna cev ni nameščena na ustrezni višini 65 – 100 cm od tal (*glej str. 15*).
- Konec odtočne cevi je potopljen v vodo (*glej str. 15*).
- Odtok v zidu nima preduha.

Če s pomočjo teh navodil ni bilo mogoče odpraviti motnje, zaprite dotok vode, izklopite pralni stroj in pokličite servis. Če je vaše stanovanje na vrhu stavbe, je mogoče, da prihaja do težav v odtočni vodovodni napeljavi. V tem primeru vam lahko pomagajo posebni ventili, ki se dobijo v tehničnih trgovinah.

Voda ne odteče ali ožemanje ne deluje.

- Pri izbranem programu voda ostane v bobnu. Pri nekaterih programih je izčrpanje vode treba vključiti posebej (*glej str. 18*).
- Izbrali ste možnost "postopek proti mečkanju": za dokončanje programa pritisnite na tipko START/RESET (*glej str. 19*).
- Odtočna cev je prepognjena (*glej str. 15*).
- Odtok je zamašen.

Med ožemanjem se pralni stroj močno trese.

- Ob namestitvi pralnega stroja boben ni bil pravilno odblokiran (*glej str. 14*).
- Pralni stroj ne stoji vodoravno (*glej str. 14*).
- Pralni stroj se dotika pohištva ali zidu. (*glej str. 14*).

Pralni stroj pušča vodo.

- Cev za dotok vode ni dobro pritrjena (*glej str. 14*).
- Predal za pralna sredstva je zamašen (za čiščenje *glej str. 22*).
- Odtočna cev ni dobro pritrjena (*glej str. 15*).

Med pranjem nastaja preveč pene.

- Uporabljeni detergent ni primeren za pranje v pralnem stroju.
- Odmerili ste preveliko količino detergenta.

SL

Namestitev

Opis

Programi

Pralna sredstva

Opozorila

Vzdrževanje

Motnje

Pomoč

Preden pokličete pooblaščen servis:

- Poglejte, če lahko motnjo odpravite sami (*glej str. 23*);
- Ponovno poženite program, da preverite, ali je bila motnja odpravljena;
- V nasprotnem primeru pokličite pooblaščen servis na telefonsko številko, ki je zapisana na garancijskem listu.

! Ne poslužujte se nepooblaščenih servisov.

Sporočite:

- za kakšno motnjo gre;
- model pralnega stroja (Mod.);
- serijsko številko (S/N).

Zadnja dva podatka sta zapisana na tablici na zadnji strani pralnega stroja.



Český

WISE 127 X

CZ

Obsah

Instalace, 26-27

Rozbalení a vyrovnání do vodorovné polohy, 26
Připojení k elektrické síti a k rozvodu vody, 26-27
První prací cyklus, 27
Technické údaje, 27

Popis pračky, 28-29

Ovládací panel, 28
Displej, 29
Program "MEMO", 29

Uvedení do chodu a programy, 30

Ve zkratce: uvedení pracího programu do chodu, 30
Tabulka programů, 30

Nastavení činnosti dle potřeb uživatele, 31

Nastavení rychlosti odstředování, 31
Regulace odloženého startu (Delay Timer), 31
Nastavení teploty, 31
Funkce, 31

Prací prostředky a prádlo, 32

Dávkovač pracích prostředků, 32
Cyklus bělení, 32
Příprava prádla, 32
Oděvy vyžadující zvláštní péči, 32

Opatření a rady, 33

Základní bezpečnostní pokyny, 33
Likvidace, 33
Jak ušetřit a brát ohled na životní prostředí, 33

Údržba a péče, 34

Uzavření přívodu vody a
vypnutí elektrického napájení, 34
Čištění pračky, 34
Čištění dávkovače pracích prostředků, 34
Péče o dvířka a buben, 34
Čištění čerpadla, 34
Kontrola přítokové hadice, 34

Poruchy a způsob jejich odstranění, 35

Servisní služba, 36

Před přivoláním servisní služby, 36

Instalace

CZ

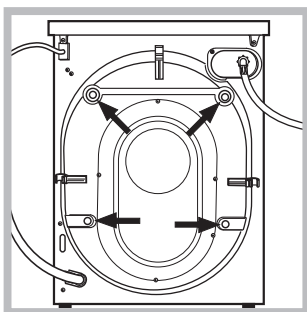
! Je velmi důležité uschovat tento návod za účelem jeho další konzultace. V případě prodeje, darování anebo přestěhování pračky se ujistěte, že zůstane uložen v blízkosti pračky, aby mohl posloužit novému majiteli při seznámení se s činností a s příslušnými upozorněními.

! Pozorně si přečtěte uvedené pokyny: obsahují důležité informace týkající se instalace, použití a bezpečnosti při práci.

Rozbalení a vyrovnaní do vodorovné polohy

Rozbalení

1. Rozbalte pračku.
2. Zkontrolujte, zda během přepravy nedošlo k jejímu poškození. V případě, že je poškozena, nezapojte ji a obraťte se na prodejce.



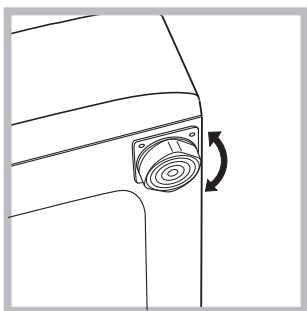
3. Odstraňte 4 šrouby s gumovou podložkou a s příslušnou rozpěrkou, nacházející se v zadní části (viz obrázek), sloužící na ochranu během přepravy.

4. Uzavřete otvory po šroubech plastovými krytkami.
5. Uschovejte všechny díly: v případě opětovné přepravy pračky je bude třeba namontovat zpátky.

! Obaly nejsou hračky pro děti

Vyrovnaní do vodorovné polohy

1. Pračku je třeba umístit na rovnou a pevnou podlahu, bez toho, aby byla opřena o stěnu, nábytek anebo něco jiného.

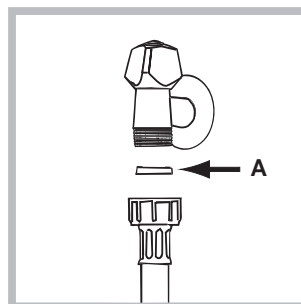


2. V případě, když podlaha není dokonale vodorovná, mohou být případné rozdíly vykompenzovány šroubováním předních nožek (viz obrázek). Úhel sklonu, naměřen na pracovní ploše, nesmí přesáhnout 2°.

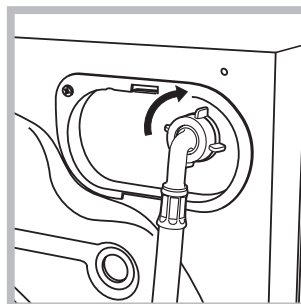
Dokonalé vyrovnaní do vodorovné polohy zabezpečí stabilitu zařízení a zamezí vzniku vibrací a hluku během činnosti. V případě instalace na podlahovou krytinu anebo na koberec, nastavte nožičky tak, aby pod pračkou zůstal dostatečný volný prostor pro ventilaci.

Připojení k elektrické síti a k rozvodu vody

Připojení přítokové hadice



1. Vložte těsnění A do koncové části přítokové hadice a připevněte ji k uzávěru studené vody se závitem 3/4" (viz obrázek). Před připojením hadice nechte vodu odtéci, dokud nebude průzračná.



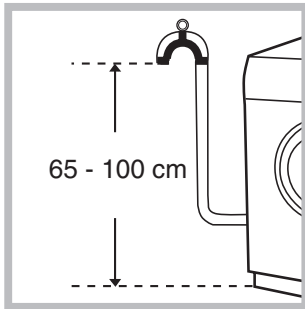
2. Připojte přítokovou hadici k pračce prostřednictvím příslušného vstupního hrdla, umístěného vpravo nahoře (viz obrázek).

3. Dbejte na to, aby hadice nebyla příliš ohnuta anebo stlačena.

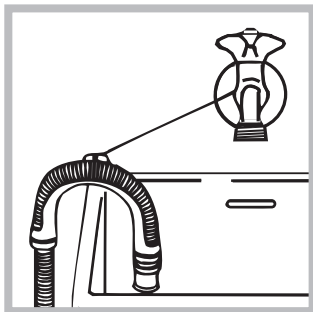
! Tlak v rozvodu vody se musí pohybovat v rozmezí hodnot uvedených v tabulce s technickými údaji (viz vedlejší strana).

! V případě, že délka přítokové hadice nebude dostatečná, obraťte se na specializovanou prodejnu anebo na autorizovaný technický personál.

Připojení odtokové hadice



Připojte vypouštěcí hadici, k odpadovému potrubí anebo k odpadu ve stěně, nacházejícímu se od 65 do 100 cm nad zemí; zamezte jejímu ohybu;



anebo ji zachyťte na okraj umývadla či vany, a připevněte ji ke kohoutku prostřednictvím držáku z příslušenství (viz obrázek). Volný konec vypouštěcí hadice nesmí zůstat ponořen do vody.

! Použití prodlužovacích hadic se nedoporučuje; je-li však nezbytné, prodlužování hadice musí mít stejný průměr jako originální hadice a její délka nesmí přesáhnout 150 cm.

Připojení k elektrické síti

Před zasunutím zástrčky do zásuvky se ujistěte, že:

- zásuvka je uzemněna a že vyhovuje normám;
- zásuvka je schopna snést maximální zátěž odpovídající jmenovitému příkonu zařízení, uvedenému v tabulce technickými údaji (viz vedle);
- hodnota napájecího napětí odpovídá údajům uvedeným v tabulce s technickými údaji (viz vedle);
- zásuvka je kompatibilní se zástrčkou pračky. V opačném případě je třeba vyměnit zástrčku.

! Pračka nesmí být umístěna venku – pod širým nebem, a to ani v případě, kdyby se jednalo o místo chráněné před nepřízní počasí, protože je velmi nebezpečné vystavit ji působení deště a bouří.

! Po definitivním umístění pračky musí zásuvka zůstat lehce přístupná.

! Nepoužívejte prodlužování kabely a rozvodky.

! Kabel nesmí být ohnut anebo stlačen.

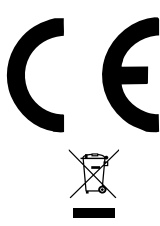
! Výměna kabelu musí být svěřena výhradně autorizovanému technickému personálu.

Upozornění! Výrobce neponese žádnou odpovědnost za následky nerespektování uvedených předpisů.

První prací cyklus

Po nastavení pračky, před jejím použitím na praní prádla, je třeba provést jeden zkušební cyklus, s pracím prostředkem a bez náplně prádla, při teplotě 90°C, bez předpírání.

Technické údaje

Model	WISE 127 X
Rozměry	šířka 59,5 cm výška 85 cm hloubka 40 cm
Kapacita	od 1 do 4,5 kg
Napájení	napětí 220/230 V 50 Hz maximální příkon 1850 W
Připojení k rozvodu vody	maximální tlak 1 MPa (10 bar) minimální tlak 0.05 MPa (0.5 bar) kapacita bubnu 40 litrů
Rychlost odstředování	až do 1200 otáček za minutu
Kontrolní program podle normy IEC456	program 2; teplota 60°C; náplň 4,5 kg prádla.
	Toto zařízení odpovídá následujícím normám Evropské unie: - 73/23/EHS z 19/02/73 (Nízké napětí) v platném znění - 89/336/EHS z 03/05/89 (Elektromagnetická kompatibilita) v platném znění - 2002/96/CE
Hlučnost (dB(A) re 1 pW)	Praní: 66 Odstředování: 77

2

Instalace

Popis

Prací programy

Prací prostředky

Opatření

Údržba

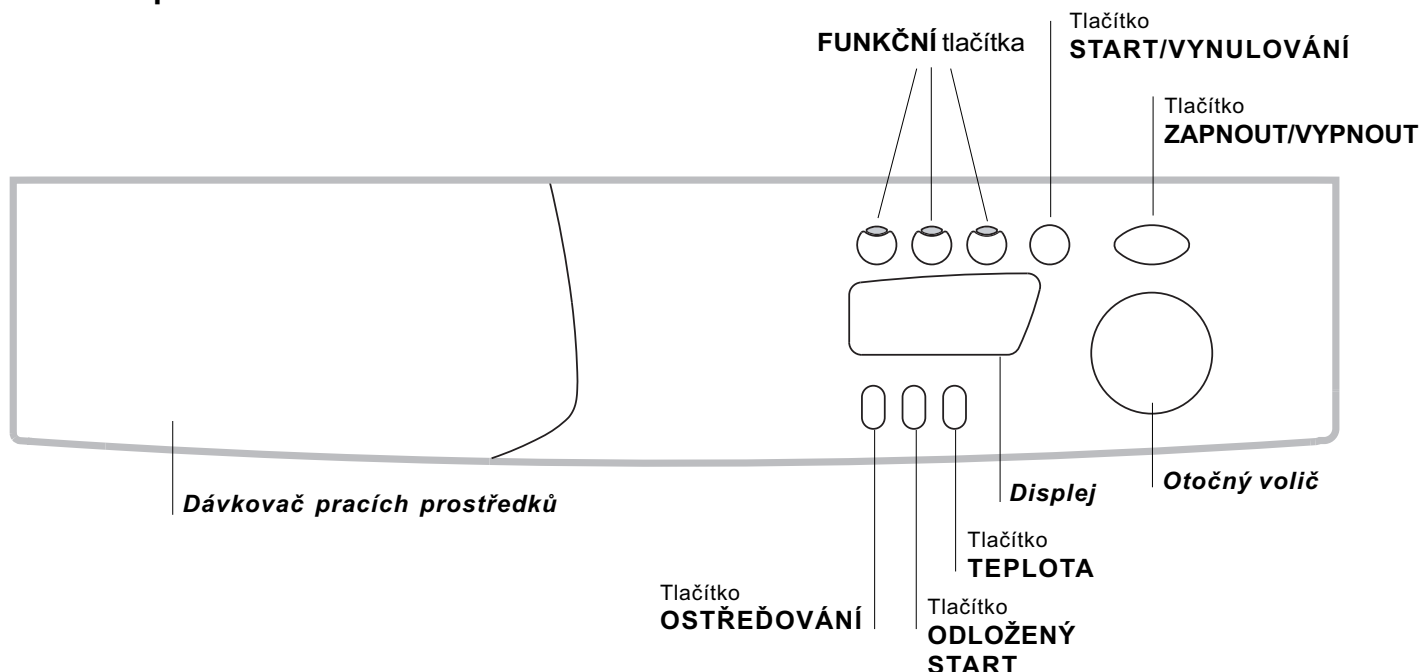
Poruchy

Serviceční služba

Popis pračky

Ovládací panel

CZ



Dávkovač pracích prostředků slouží k dávkování pracích prostředků a přídatných prostředků (viz str. 32).

Tlačítko **ODSTŘEĎOVÁNÍ** slouží k nastavení rychlosti odstřeďování až po její úplné vyloučení (viz str. 31).

Tlačítko **ODLOŽENÝ START** pro odložení startu nastaveného programu o maximálně 24 hodin (viz str. 31).

Tlačítko **TEPLOTA** slouží ke změně nastavení teploty praní (viz str. 31).

Displej slouží k nastavení pracího programu a ke kontrole průběhu pracího cyklu (viz vedlejší strana).

FUNKČNÍ tlačítka: slouží k volbě jednotlivých nabízených funkcí. Po uskutečnění volby jednotlivé funkce zůstane příslušné tlačítko podsvětleno.

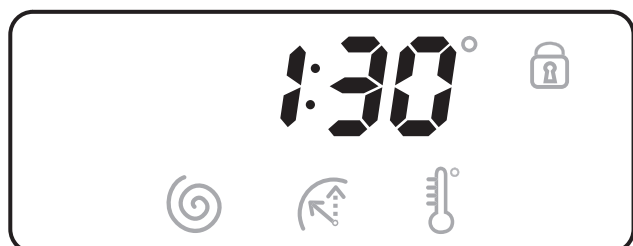
Tlačítko **START/VYNULOVÁNÍ** slouží k uvedení pracího programu do chodu nebo k vynulování chybného nastavení.

Tlačítko **ZAPNOUT/VYPNOUT** slouží k zapnutí a vypnutí pračky.

Otočný volič slouží k volbě pracího programu. Během pracího programu zůstane stát ve stejné poloze.

Displej

Kromě toho, že je velice užitečným nástrojem pro nastavení zařízení (viz str. 31), poskytuje displej informace o pracím cyklu.



Po stisknutí tlačítka START/VYNULOVÁNÍ pro spuštění nastaveného pracího programu, se na displeji objeví doba zbývající do konce pracího cyklu. V případě, že je nastaven čas odloženého startu (Odložený start, viz str. 31), dojde k jeho zobrazení.


Zablokovaná dvířka:


Rozsvícení uvedeného symbolu poukazuje na zablokování dvířek kvůli zabránění jejich náhodnému otevření. Aby se předešlo poškození dvířek, před jejich otevřením je třeba vyčkat na zhasnutí uvedeného symbolu.

Na závěr pracího programu dojde k zobrazení nápisu END.

! V případě výskytu poruchy bude zobrazen chybový kód, například: F-01, který je třeba oznámit servisní službě (viz str. 36).

Program „MEMO”

Tento program umožňuje uložit do paměti nejoblíbenější anebo nejpoužívanější prací cyklus. K uložení programu do paměti stačí po jeho zahájení pootočit OTOČNÝ VOLIČ do polohy . Cyklus bude automaticky uložen do paměti a na displeji se zobrazí nápis „MEMO”, který bude blikat po dobu několika sekund.

Následně lze zahájit cyklus „MEMO” jednoduše pootočením OTOČNÝ VOLIČ do polohy ; stisknutím příslušných tlačítek bude možné zobrazit a také měnit hodnoty teploty/odstředování/odloženého startu, ale tyto změny budou platit pouze pro probíhající program a nebudou uloženy do paměti v cyklu „MEMO”. Uložení nového pracího cyklu do paměti může být provedeno výše uvedeným způsobem.

2

Instalace

Popis

Prací programy

Prací prostředky

Opatření

Údržba

Poruchy

Servisní služba





Uvedení do chodu a programy

CZ

Ve zkratce: uvedení pracího programu do chodu

1. Zapněte pračku stisknutím tlačítka (I).
2. Naplňte pračku a zavřete dvířka.
3. Voličem programů nastavte požadovaný prací program. Na displeji bude uvedena přibližná doba praní. Teplota a odstředování budou nastaveny automaticky, na základě zvoleného pracího programu (jejich změna je možná - viz str. 31).
4. Zvolit případné volitelné funkce (viz str. 31).
5. Naplňte dávkovač pracími a případně také přídatnými prostředky (viz str. 32).
6. Uvedte nastavený prací program do chodu stisknutím tlačítka START/VYNULOVÁNÍ. Vynulování nastaveného programu se vykonává stisknutím tlačítka START/VYNULOVÁNÍ na dobu nejméně 2 vteřin.
7. Po ukončení pracího programu se objeví nápis END. Vyndejte prádlo a nechte pootevřeny dvířka, aby mohlo dojít k vysušení bubnu.
8. Vypněte pračku stisknutím tlačítka (I).

Tabulka programů

Druh tkaniny a stupeň jejího znečištění	Prací programy	Teplota	Prací prostředek		Aviváž	Volitelná funkce Odstranění skvrn / Bělící prostředek	Doba cyklu (v minutách)	Popis pracího cyklu
			předp.	praní				
Standardní								
Extrémně znečištěné bílé prádlo (prostěradla, ubrusy, atd.)	1	90°C	•	•	•		135	Předpírka, praní, máchání, průběžné a závěrečné odstředování
Extrémně znečištěné bílé prádlo (prostěradla, ubrusy, atd.)	2	90°C	•	•	•	Na choul. prádlo/ Tradiční	125	Praní, máchání, průběžné a závěrečné odstředování
Silně znečištěné bílé a barevné prádlo z odolných tkanin	2	60°C	•	•	•	Na choul. prádlo/ Tradiční	110	Praní, máchání, průběžné a závěrečné odstředování
Silně znečištěné bílé a barevné choulostivé prádlo	2	40°C	•	•	•	Na choul. prádlo/ Tradiční	105	Praní, máchání, průběžné a závěrečné odstředování
Částečně znečištěné bílé a barevné choulostivé prádlo (košile, trička, atd.)	3	40°C	•	•	•	Na choul. prádlo/ Tradiční	70	Praní, máchání, průběžné a závěrečné odstředování
Silně znečištěné prádlo z odolných barevných tkanin (kojenecké prádlo, atd.)	4	60°C	•	•	•	Na choul. prádlo	75	Praní, máchání, zabránění krčení anebo odstředování pro choulostivé prádlo
Silně znečištěné prádlo z odolných barevných tkanin (kojenecké prádlo, atd.)	4	40°C	•	•	•	Na choul. prádlo	60	Praní, máchání, zabránění krčení anebo odstředování pro choulostivé prádlo
Vlna	5	40°C	•	•	•		50	Praní, máchání, zabránění krčení a odstředování pro choulostivé prádlo
Prádlo z velice choulostivých tkanin (záclony, hedvábí, viskóza, atd.)	6	30°C	•	•	•		45	Praní, máchání, zabránění krčení anebo vypouštění vody
Time 4 you								
Silně znečištěné bílé a barevné prádlo z odolných tkanin	7	60°C	•	•	•		60	Praní, máchání, průběžné a závěrečné odstředování
Částečně znečištěné bílé a barevné choulostivé prádlo (košile, trička, atd.)	8	40°C	•	•	•		50	Praní, máchání, průběžné a závěrečné odstředování
Choulostivé barevné prádlo (lehce znečištěné prádlo všeho druhu)	9	40°C	•	•	•		40	Praní, máchání, odstředování pro choulostivé prádlo
Choulostivé barevné prádlo (lehce znečištěné prádlo všeho druhu)	10	30°C	•	•	•		30	Praní, máchání, odstředování pro choulostivé prádlo
Sport								
Sportovní obuv (MAX. 2 páry.)	11	30°C	•	•	•		50	Praní ve studené vodě (bez pracího prostředku), praní, máchání a odstředování pro choulostivé prádlo
Tkaniny pro sportovní oděv (teplákové soupravy, ponožky, atd.)	12	30°C	•	•	•		60	Praní, máchání, průběžné a závěrečné odstředování
MEMO		Slouží k uložení libovolného způsobu praní do paměti (viz str. 29).						
DÍLČÍ PROGRA-MY								
Máchání					•	Na choul. prádlo/ Tradiční		Máchání a odstředování
Odstředování								Vypouštění vody a odstředování
Vypouštění vody								Vypouštění vody

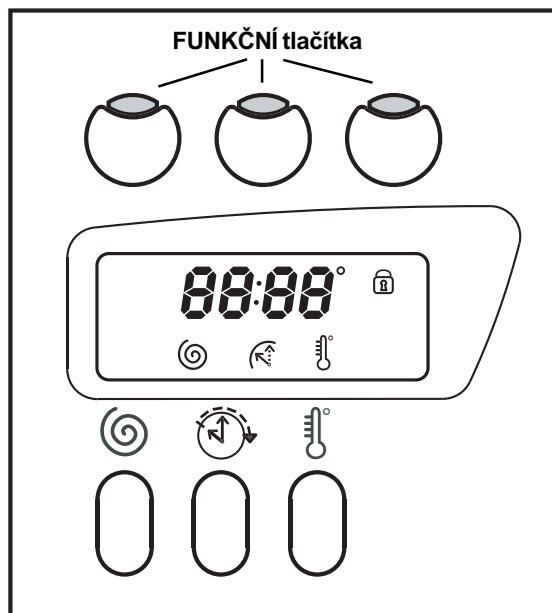
Poznámky

- Při programech 7 - 8 se doporučuje nepřekročit náplň pračky 3,5 kg.
- Při programu 12 se doporučuje nepřekročit náplň pračky 2 kg.
- Popis ochrany před zmačkáním: viz Snadné žehlení, *na vedlejší straně*. Údaje uvedené v tabulce mají pouze informativní charakter.

Speciální program

Každodenní praní 30' (program 10 pro syntetiku) je navržen speciálně pro praní lehce znečištěného prádla během krátké doby: trvá pouze 30 minut a šetří tak energii a čas. Nastavením programu (10 při 30°C) je možné prát spolu prádlo různého druhu (s výjimkou vlny a hedvábí) s náplní nepřesahující 3 kg. *Doporučuje se použití tekutého pracího prostředku.*

Nastavení činnosti dle potřeb uživatele



Nastavení rychlosti odstředování

V případě, že se při zapnutí pračky nachází OTOČNÝ VOLIČ v poloze odpovídající programu, jehož součástí je i odstředování, ikona bude zobrazena, aniž by blikala. Po stisknutí tlačítka se zobrazí maximální možná rychlost odstředování pro nastavený program se současným blikáním ikony . Po dalším stisknutí uvedeného tlačítka dojde ke snížení rychlosti odstředování až na hodnotu OFF, označující vyloučení odstředování (návrat k vyšší hodnotě je možný po dalším stisknutí tlačítka). Po setrvání na požadované hodnotě dojde přibližně po 2 sekundách k jejímu akceptování. symbol zůstane zobrazen, aniž by blikal. Nastavení rychlosti odstředování je možné u všech pracích programů, s výjimkou programu 6 a vyčerpání vody.

Regulace odloženého startu (Delay Timer)

Po stisknutí tlačítka se na displeji zobrazí nápis OFF provázený blikáním příslušného symbolu. Po dalším stisknutí uvedeného tlačítka se zobrazí „1h“ odpovídající odložení startu o jednu hodinu a tak dále až po hodnotu 24h. Po setrvání na požadované hodnotě „odložení“ dojde přibližně po 2 sekundách k jejímu akceptování. Následně

bude na displeji zobrazen čas zahájení nastaveného programu a symbol zůstane rozsvícen. Stisknutím tlačítka START/VYNULOVÁNÍ v této situaci se opětovně zobrazí zvolené „odložení“ startu, které bude postupně každou hodinu snižováno, a to až do zahájení cyklu. V této fázi lze změnit hodnotu „odložení“ pouze ve smyslu jejího snížení. Regulace odloženého startu (Delay Timer) je aktivní při všech programech.

Nastavení teploty

V případě, že se při zapnutí pračky nachází OTOČNÝ VOLIČ v poloze odpovídající programu, jehož součástí je i regulace teploty, ikona bude zobrazena, aniž by blikala. Po stisknutí tlačítka se zobrazí maximální možná teplota pro nastavený program se současným blikáním ikony . Po dalším stisknutí uvedeného tlačítka dojde ke snížení teploty až na hodnotu OFF, označující praní ve studené vodě (návrat k vyšší hodnotě je možný po dalším stisknutí tlačítka). Po setrvání na požadované hodnotě dojde přibližně po 2 sekundách k jejímu akceptování: symbol zůstane zobrazen, aniž by blikal. Nastavení teploty je možné u všech pracích programů.

Funkce

Jednotlivé funkce, kterými pračka disponuje umožňují dosáhnout požadovaný stupeň čistoty a bělosti praného prádla. Způsob aktivace jednotlivých funkcí:

1. stiskněte tlačítko příslušné požadované funkce podle níže uvedené tabulky;
2. podsvětlení příslušného tlačítka signalizuje, že došlo k aktivaci zvolené funkce.

Poznámka: Rychlé blikání tlačítka poukazuje na to, že příslušná funkce je nepoužitelná během nastaveného pracovního programu.

V případě, že bude zvolena funkce, která není kompatibilní s některou z předem zvolených funkcí, aktivována zůstane pouze poslední zvolená funkce.

Funkce	Efekt	Poznámky k použití	Aktivní při programech:
Odstranění skvrn	Bělicí cyklus vhodný na odstranění nejodolnějších skvrn.	Nezapomeňte na vložení bělicího prostředku do přídatné přihrádky 4 (viz str. 32). Není kompatibilní s použitím volitelné funkce SNADNÉ ŽEHLENÍ.	2, 3, 4, máchání.
Intenzivní máchání	Slouží ke zvýšení účinnosti máchání.	Její použití se doporučuje při zcela naplněné pračce anebo při použití velkého množství pracovního prostředku.	1, 2, 3, 4, 7, 8, 9, 11, 12, máchání.
Snadné zehlení	Slouží ke snížení počtu záhybů na tkaninách, ulehčujíc následně zehlení.	Po nastavení této funkce dojde k přerušení programů 4, 5, 6 s prádlem v bubnu bez vypuštění vody (ochrana před zmačkáním) provázenému blikáním příslušného tlačítka. - Ukončení cyklu se provádí stisknutím tlačítka START/VYNULOVÁNÍ anebo tlačítka SNADNÉ ŽEHLENÍ. - přejete-li si pouze vypustit vodu, nastavte otočný volič do polohy označené a stiskněte tlačítko START/VYNULOVÁNÍ. Není kompatibilní s použitím volitelné funkce ODSTRANĚNÍ SKVRN.	3, 4, 5, 6, 7, 8, 9, máchání.

2

Instalace

Popis

Prací programy

Prací prostředky

Opatření

Údržba

Poruchy

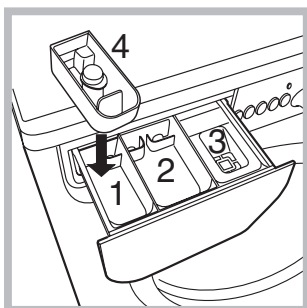
Service síť

Prací prostředky a prádlo

CZ

Dávkač pracích prostředků

Dobrý výsledek praní závisí také na správném dávkování pracích prostředků: použití jejich nadměrného množství snižuje efektivitu praní a napomáhá tvorbě vodního kamene na vnitřních částech pračky a znečištění životního prostředí.



Při vytahování dávkače pracích prostředků a při jeho plnění pracími nebo přídatnými prostředky postupujte následovně:

příhrádka 1: Prací prostředek (práškový) pro předpírání

Před naplněním příhrádky pracím prostředkem se ujistěte, že se v dávkači nenachází přídatná příhrádka 4.

příhrádka 2: Prací prostředek (práškový nebo tekutý) pro praní

Tekutý prací prostředek se nalévá pouze těsně před uvedením do chodu.

příhrádka 3: Přídatné prostředky (aviváž, atd.)

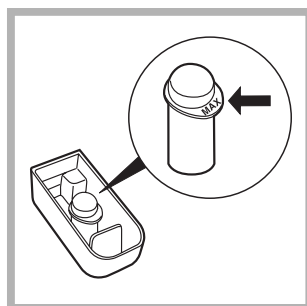
Aviváž nesmí vytékat z mřížky.

přídatná příhrádka 4: Bělící prostředek


! Nepoužívejte prací prostředky určené na ruční praní, protože způsobují tvorbu nadměrného množství pěny.

Cyklus bělení

! **Tradiční bělicí prostředek** se používá při bělení bílého prádla z odolných tkanin, zatímco **bělicí prostředek na choulostivé prádlo** se používá při bělení barevného prádla, prádla ze syntetických tkanin a z vlny.



Vložte přídatnou příhrádku 4, z příslušenství, do příhrádky 1. Při dávkování bělicího prostředku nepřekročte hladinu „max“, vyznačenou na středovém kolíku (viz obrázek).

Když si přejete vykonat pouze bělicí cyklus, naplňte přídatnou příhrádku 4 bělicím prostředkem a nastavte program máchání  a aktivujte volitelnou funkci Odstranění skvrn (viz str. 31). Při bělení během pracího cyklu naplňte dávkač pracím prostředkem a přídatnými prostředky, nastavte požadovaný prací cyklus a aktivujte volitelnou funkci Odstranění skvrn (viz str. 31).

Použití přídatné příhrádky 4 vylučuje možnost předpírání.

Příprava prádla

- Roztřídte prádlo podle:
 - druhu tkaniny / symbolu na visače.
 - barvy: oddělte barevné prádlo od bílého.
- Vyprázdněte kapsy a zkontrolujte knoflíky.
- Nepřekračujte povolenou náplň, vztahující se na hmotnost suchého prádla:
 - Odolné tkaniny: max. 4,5 kg
 - Syntetické tkaniny: max. 2,5 kg
 - Jemné tkaniny: max. 2 kg
 - Vlna: max. 1 kg

Kolik váží prádlo?

- 1 prostěradlo 400-500 g
- 1 povlak na polštář 150-500 g
- 1 ubrus 400-500 g
- 1 župan 900-1.200 g
- 1 ručník 150-250 g

Oděvy vyžadující zvláštní péči

Záclony: přehnout je a uložit dovnitř povlaku na polštář nebo do sáčku ze síťoviny. Je třeba je prát samostatně a nepřekročit přitom poloviční náplň. Na praní záclon použijte program 6, který automaticky vyloučí odstředování.

Prošívané kabáty a větrovky: je možné je prát v pračce v případě, že jsou plněny husím nebo kachním prachovým peřím. Jednotlivé kusy oděvu obraťte naruby, naplňte pračku náplní s hmotností nepřesahující 2-3 kg, zopakujte jeden nebo víckrát máchání a použijte jemné odstředování.

Vlna: abyste dosáhli nejlepších výsledků, je třeba použít specifický prací prostředek na praní vlny a nepřekročit 1 kg náplně.

! Pračka byla navržena a vyrobena v souladu s platnými mezinárodními bezpečnostními předpisy. Tato upozornění jsou uváděna z bezpečnostních důvodů a je třeba si je pozorně přečíst.

Základní bezpečnostní pokyny

- Tento spotřebič byl navrhnout pro domácí, neprofesionální použití, a jeho funkce nesmí být měněny.
- Pračku mohou používat pouze dospělé osoby, podle pokynů uvedených v tomto návodu.
- Nedotýkejte se zařízení bosí, anebo v případě, když máte mokré ruce anebo nohy.
- Nevytahujte zástrčku ze zásuvky tahem za kabel, ale uchopením za zástrčku.
- Neotvírejte dávkovač pracích prostředků během činnosti zařízení.
- Nedotýkejte se vyčerpávané vody, protože může mít velmi vysokou teplotu.
- Nepokoušejte se o násilné otevření dvířek: mohlo by dojít k poškození bezpečnostního uzávěru, který zabraňuje náhodnému otevření.
- Při výskytu poruchy se v žádné případě nepokoušejte o opravu vnitřních částí zařízení.
- Vždy mějte pod kontrolou děti a zabraňte jejich přiblížení se k pračce během pracího cyklu.
- Během pracího cyklu mají dvířka tendenci ohřát se.
- V případě potřeby přemíst'ujte pračku ve dvou nebo ve třech, a věnujte celé operaci zvláštní pozornost. Nikdy se nepokoušejte pračku přemísťovat sami, je totiž velmi těžká.
- Před zahájením vkládání prádla zkontrolujte, zda je buben prázdný.

Likvidace

- Likvidace obalových materiálů: při jejich odstranění postupujte v souladu s místním předpisy a dbejte na možnou recyklaci.
- Evropská směrnice 2002/96/EC o odpadních elektrických a elektronických zařízeních stanovuje, že staré domácí elektrické spotřebiče nesmí být odkládány do běžného netříděného domovního odpadu. Staré spotřebiče musí být odevzdány do odděleného sběru, a to za účelem recyklace a optimálního využití materiálů, které obsahují, a z důvodu předcházení negativním

dopadům na lidské zdraví a životní prostředí. Symbol "přeškrtnuté popelnice" na výrobku vás upozorňuje na povinnost odevzdat zařízení po skončení jeho životnosti do odděleného sběru.

Spotřebitelé by měli kontaktovat příslušné místní úřady nebo svého prodejce ohledně informací týkajících se správné likvidace starého zařízení.

Jak ušetřit a brát ohled na životní prostředí

Technika ve službách životního prostředí

Vysvětlením toho, že uvnitř pračky je vidět málo vody, je skutečnost, že nový způsob praní Indesit umožňuje dokonale vyprat prádlo s použitím méně než polovičního množství vody: jedná se o dosažení vytýčeného cíle s ohledem na životné prostředí.

Šetření pracími prostředky, vodou, energií a časem

- Aby nedocházelo k plýtvání, je třeba používat pračku s plnou náplní. Jedna plná náplň, ve srovnání se dvěma polovičními, umožňuje ušetřit až 50% energie.
- Předpírání je potřebné pouze při praní silně znečištěného prádla. Prací program bez předpírání umožňuje ušetřit od 5 do 15% energie.
- Při aplikaci příslušného prostředku proti skvrnám anebo jejich namočením před zahájením praní, je možné vyhnout se praní při vysokých teplotách. Použití stejného pracího programu při teplotě 60°C namísto 90°C anebo 40°C namísto 60°C, umožňuje ušetřit až 50% energie.
- Správné dávkování pracího prostředku, s ohledem na tvrdost vody, stupeň znečištění a množství praného prádla zabraňuje plýtvání a chrání životní prostředí: i když se jedná o biodegradabilní látky, prací prostředky narušují přirozenou rovnováhu v přírodě. Dále se je třeba, dle možností, vyhnout použití aviváže.
- Praní v podvečer nebo brzy ráno napomáhá nižší zátěži firem, zabývajících se výrobou energie. Volitelná funkce odložený start (viz str. 31) značně napomáhá organizaci praní právě na základě uvedených pravidel.
- V případě, že prádlo má být vysušeno v sušičce, zvolte vysokou rychlost odstředování. Malé množství vody umožňuje šetřit čas a energii během sušícího programu.

CZ

Instalace

Popis

Prací programy

Prací prostředky

Opatření

Údržba

Poruchy

Service služba

Údržba a péče

CZ

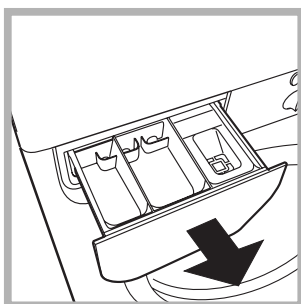
Uzavření přívodu vody a vypnutí elektrického napájení

- Po každém praní uzavřete přívod vody. Tímto způsobem dochází k omezení opotřebení pračky a ke snížení nebezpečí úniku vody.
- Před zahájením čištění pračky a během operací údržby je třeba vytáhnout zástrčku přívodního kabelu ze zásuvky.

Čištění pračky

Vnější části a části z gumy mohou být čištěny hadrem navlhčeným ve vlažné vodě a saponátu. Nepoužívejte rozpouštědla anebo brusné prostředky.

Čištění dávkovače pracích prostředků



Vytáhněte dávkovač jeho nadzvednutím a vytáhnutím směrem ven (viz obrázek). Umyjte ho pod proudem vody; tento druh vyčištění je třeba vykonávat pravidelně.

Péče o dvířka a buběn

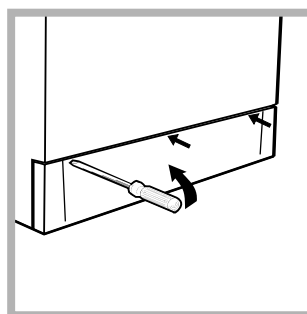
- Dvířka ponechte po každé pootevřeny, aby se zabránilo tvorbě nepříjemných zápachů.

Čištění čerpadla

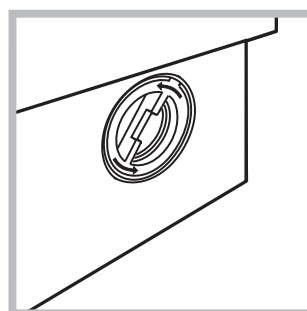
Součástí pračky je samočisticí čerpadlo, která nevyžaduje zvláštní péči. Může se však stát, že se v jeho vstupní části, určené na jeho ochranu, a nacházející se v jeho spodní části, zachytí drobné předměty (mince, knoflíky).

! Ujistěte se, že prací cyklus byl ukončen a vytáhněte zástrčku ze zásuvky.

Přístup ke vstupní části čerpadla:



1. pomocí šroubováku odstraňte krycí panel nacházející se ve přední části pračky (viz obrázek);



2. odšroubujte vrchní kryt otáčením proti směru hodinových ručiček (viz obrázek): vytečení malého množství vody je zcela běžným jevem;

3. dokonale vyčistěte vnitřek vstupní části čerpadla;
4. nasadte zpátky vrchní kryt;
5. namontujte zpátky krycí panel, přičemž se, před jeho přisunutím k pračce ujistěte, že došlo k správnému zachycení háčků do příslušných otvorů.

Kontrola přítokové hadice

Stav přítokové hadice je třeba zkontrolovat alespoň jednou ročně. Jsou-li na ní viditelné praskliny anebo trhliny, je třeba ji vyměnit: silný tlak působící na hadici během pracovního cyklu by mohl způsobit její náhlé roztrhnutí.

! Nikdy nepoužívejte již použité hadice.

Poruchy a způsob jejich odstranění

Může se stát, že pračka nebude fungovat. Před telefonickým kontaktováním servisní služby (viz str. 36), zkontrolujte prostřednictvím následujícího seznamu, zda se nejedná o jednoduše odstranitelný problém.


Poruchy:

Pračku nelze zapnout.

Možné příčiny / Způsob jejich odstranění:

- Zástrčka není zasunuta v zásuvce, anebo ne natolik, aby došlo ke spojení kontaktů.
- V celém domě je vypnut proud.

Nedochází k zahájení pracovního cyklu.

- Dvířka nejsou správně zavřena (na displeji je zobrazen nápis DOOR).
- Nebylo stisknuto tlačítko .
- Nebylo stisknuto tlačítko START/VYNULOVÁNÍ.
- Nebyl otevřen kohoutek přívodu vody.
- Byl nastaven odložený start (Odložený start, viz str. 31).

Nedochází k napouštění vody do pračky (na displeji je zobrazen nápis H₂O).

- Přívodní hadice není připojena k vodovodnímu kohoutku.
- Přívodní hadice je příliš ohnuta.
- Nebyl otevřen kohoutek přívodu vody.
- V celém domě je uzavřen přívod vody.
- V rozvodu vody není dostatečný tlak.
- Nebylo stisknuto tlačítko START/VYNULOVÁNÍ.

Dochází k nepřetržitému napouštění a vyčerpávání vody.

- Ústí vypouštěcí hadice se nachází mimo určené rozmezí od 65 do 100 cm nad zemí (viz str. 27).
- Koncová část vypouštěcí hadice je ponořena ve vodě (viz str. 27).
- Odpad ve stěně není vybaven odvzdušňovacím otvorem.

Když ani po uvedených kontrolách nedojde k odstranění problému, uzavřete přívod vody, vypněte pračku a přivolejte servisní službu. V případě, že se byt nachází na jednom z nejvyšších poschodí, je možné, že dochází k sifonovému efektu, jehož následkem pračka nepřetržitě napouští a odčerpává vodu. Na odstranění uvedeného efektu jsou v prodeji běžně dostupné speciální protisifonové ventily.

Nedochází k vyčerpání vody anebo k odstředování.

- Odčerpání vody netvoří součást nastaveného programu: u některých programů je potřebné jeho manuální uvedení do činnosti (viz str. 30).
- Byla aktivována volitelná funkce Snadné žehlení: dokončení pracovního cyklu je možné po stisknutí tlačítka START/VYNULOVÁNÍ (viz str. 31).
- Vypouštěcí hadice je příliš ohnuta (viz str. 27).
- Odpadové potrubí je ucpáno.

Během odstředování je možné pozorovat silné vibrace.

- Během instalace nebyl buben odjištěn předepsaným způsobem (viz str. 26).
- Pračka není vyrovnána do vodorovné polohy (viz str. 26).
- Pračka je namáčknuta mezi nábytkem a stěnou (viz str. 26).

Dochází k úniku vody z pračky.

- Přívodní hadice není správně připojena (viz str. 26).
- Dávkovač pracích prostředků je ucpán (způsob jeho vyčištění – viz str. 34).
- Vypouštěcí hadice není upevněna předepsaným způsobem (viz str. 27).

Dochází k tvorbě nadměrného množství pěny.

- Použitý prací prostředek není vhodný pro použití v automatické pračce (musí obsahovat označení „pro praní v pračce“, „pro praní v rukou nebo v pračce“ anebo podobné označení).
- Bylo použito nadměrné množství pracích prostředků.

CZ

Instalace

Popis

Prací programy

Prací prostředky

Opatření

Údržba

Poruchy

Servisní služba

Servisní služba

CZ

Před přivoláním servisní služby:

- Zkontrolujte, zda nejste schopni poruchu odstranit sami (*viz str. 35*);
- Opětovně uveďte do chodu prací program, s cílem ověřit, zda byla porucha odstraněna;
- V opačném případě se obraťte na autorizované centrum servisní služby, na telefonním čísle uvedeném na záručním listě.

! Nikdy se neobracejte se žádostí o pomoc na techniky, kteří nejsou na vykonávání této činnosti oprávněni.

Při hlášení poruchy uveďte:

- druh poruchy;
- model pračky (Mod.);
- výrobní číslo (S/N).

tyto informace jsou uvedeny na typovém štítku, nacházejícím se na zadní straně pračky.

INSTRUCȚIUNI DE FOLOSIRE

MAȘINĂ DE SPĂLAT RUFEE

RO

Română

WISE 127 X

Sumar

Instalare, 38-39

Scoaterea din ambalaj și nivelarea, 38
Legături hidraulice și electrice, 38-39
Primul program de spălare, 39
Date tehnice, 39

Descrierea mașinii de spălat, 40-41

Panoul de control, 40
Display-ul, 41
Program "MEMO", 41

Pornire și Programe, 42

Pe scurt: pornirea unui program, 42
Tabel de programe, 42

Personalizări, 43

Reglarea turației de centrifugare, 43
Reglarea delay timerului, 43
Reglarea temperaturii, 43
Funcții, 43

Detergenți și rufe albe, 44

Sertarul detergenților, 44
Program de albire, 44
Sortarea rufelor, 44
Rufe deosebite, 44

Precauții și sfaturi, 45

Protecție generală, 45
Aruncarea reziduurilor, 45
Protecția și respectarea mediului înconjurător, 45

Întreținere și îngrijire, 46

Oprirea apei și a curentului electric, 46
Curățarea mașinii de spălat, 46
Curățarea sertarului pentru detergenți, 46
Îngrijirea hubloului și a cuvei, 46
Curățarea pompei, 46
Controlarea furtunului de alimentare cu apă, 46

Anomalii și remedii, 47

Asistență, 48

Înainte de a lua legătura cu Asistența, 48

Instalare

RO

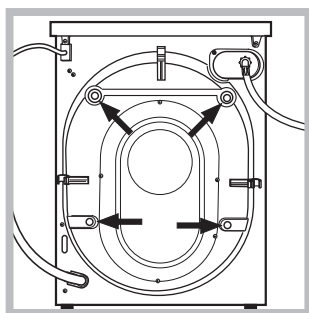
! Este important să se păstreze acest manual pentru a-l putea consulta în orice moment. În caz de vânzare, cesiune sau schimbare a locuinței, acesta trebuie păstrat împreună cu mașina de spălat pentru a informa noul proprietar cu privire la funcționare și la respectivele avertismente.

! Citiți cu atenție instrucțiunile: veți găsi informații importante cu privire la instalare, folosire și siguranță.

Scoaterea din ambalaj și nivelarea

Scoaterea din ambalaj

1. Scoateți din ambalaj mașina de spălat.
2. Controlați ca mașina să nu fi fost deteriorată pe durata transportului. Dacă este deteriorată, nu o conectați și luați legătura cu cine v-a vândut-o.



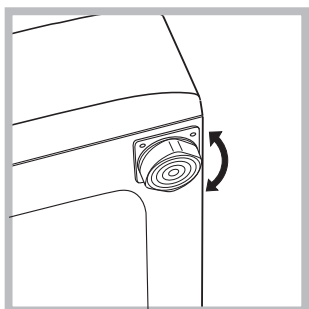
3. Scoateți cele 4 șuruburi de protecție pentru transport și cauciucul cu respectivul distanțator, situate în partea posterioară (a se vedea figura).

4. Închideți orificiile cu dopurile de plastic din dotare.
5. Păstrați toate piesele: pentru cazul în care mașina de spălat va trebui să fie transportată, piesele vor trebui montate din nou.

! Ambalajele nu constituie jucării pentru copii.

Nivelare

1. Instalați mașina de spălat pe un plan rigid, fără a o sprijini de ziduri, mobilă sau altceva.

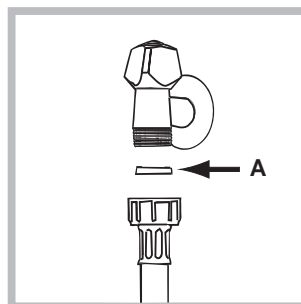


2. Dacă podeaua nu este perfect orizontală, compensați neregularitățile deșurubând sau înșurubând piciorușele anterioare (a se vedea figura); unghiul de înclinare, măsurat pe planul de lucru, nu trebuie să depășească 2°.

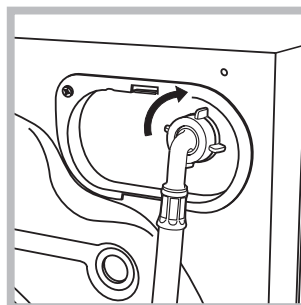
O nivelare precisă conferă stabilitate mașinii și evită vibrații, zgomote și deplasări pe durata funcționării. În cazul mochetelor sau a unui covor, reglați piciorușele astfel încât să mențineți sub mașina de spălat un spațiu suficient pentru ventilare.

Legături hidraulice și electrice

Conectarea furtunului de alimentare cu apă



1. Introduceți garnitura A în extremitatea furtunului de alimentare și înșurubați-l la un robinet filetat de apă rece (a se vedea figura). Înainte de conectare, lăsați apa să curgă pentru a se limpezi.



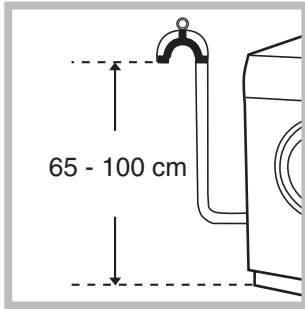
2. Conectați furtunul de alimentare la mașina de spălat, înșurubându-l la respectiva priză de apă, în partea posterioară, sus, în dreapta (a se vedea figura).

3. Fiți atenți ca furtunul să nu fie nici curbat, nici îndoit.

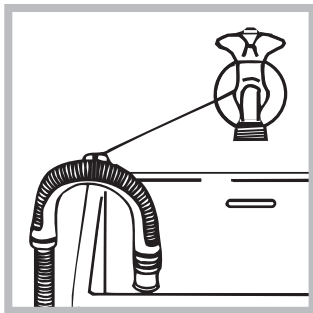
! Presiunea apei trebuie să fie cuprinsă în valorile tabelului "Date tehnice" (a se vedea pagina alăturată).

! Dacă lungimea furtunului de alimentare nu este suficientă, adresați-vă unui magazin specializat sau unui tehnician autorizat.

Conectarea furtunului de evacuare



Conectați furtunul de evacuare, fără a-l îndoi, la o conductă de evacuare sau la o gură de evacuare a apei, situate între 65 și 100 cm de pământ;



sau sprijiniți-l pe marginea unei chiuvete sau a unei căzi, legând ghidajul aflat în dotare, de robinet (*a se vedea figura*). Extremitatea liberă a furtunului de evacuare nu trebuie să rămână cufundată în apă.

! Nu este recomandabilă folosirea furtunurilor de prelungire; dacă este indispensabil, furtunul de prelungire trebuie să aibă același diametru cu furtunul original și nu trebuie să depășească 150 cm.

Legătura electrică

Înainte de a introduce ștecherul în priza de curent, asigurați-vă ca:

- priza să fie cu împământare și conform prevederilor legale;
- priza să poată suporta sarcina maximă de putere a mașinii, indicată în tabelul cu date tehnice (*a se vedea alături*);
- tensiunea de alimentare să fie cuprinsă în valorile indicate în tabelul cu date tehnice (*a se vedea alături*);
- priza să fie compatibilă cu ștecherul mașinii de spălat. În caz contrar, înlocuiți priza sau ștecherul.

! Mașina de spălat nu trebuie instalată afară, nici chiar în cazul în care spațiul este adăpostit, deoarece este foarte periculoasă expunerea mașinii la ploaie și furtuni.

! După instalarea mașinii de spălat, priza de curent trebuie să fie ușor accesibilă.

! Nu folosiți prelungitoare și prize multiple.

! Mașina nu funcționează la temperaturi mai mici de 16 grade.

! Cablul nu trebuie să fie îndoit sau comprimat.

! Cablul de alimentare trebuie să fie înlocuit doar de tehnicienii autorizați.

Atenție! Producătorul își declină orice responsabilitate pentru cazul în care aceste norme nu se respectă.

Primul program de spălare

După instalare, înainte de folosire, efectuați un program de spălare cu detergent și fără rufe, selectând programul la 90°C, fără prespălare.

Date tehnice

Model	WISE 127 X
Dimensiuni	lățime: 59,5 cm înălțime: 85 cm profundime: 40 cm
Capacitate	de la 1 la 4,5 kg
Legături electrice	tensiune: 220/230 Volți 50 Hz putere maximă absorbită: 1850 W
Legături hidrice	presiune maximă: 1 MPa (10 bari) presiune minimă: 0,05 MPa (0,5 bari) capacitatea cuvei: 40 litri
Turația de centrifugare	până la 1200 de rotații pe minut
Programe de control în baza normei IEC456	programul 2; temperatura 60°C; efectuată cu 4,5 kg de rufe.
	Acest aparat este conform cu următoarele Directive Comunitare: - 73/23/CEE din data de 19/02/73 (Tensiuni Joase) și modificări succesive - 89/336/CEE din data de 03/05/89 (Compatibilitate Electromagnetică) și modificări succesive
Zgomot (dB(A) re 1 pW)	Spălare: 66 Turație de centrifugare: 77

RO

Instalare

Descriere

Programe

Detergenți

Precauții

Întreținere

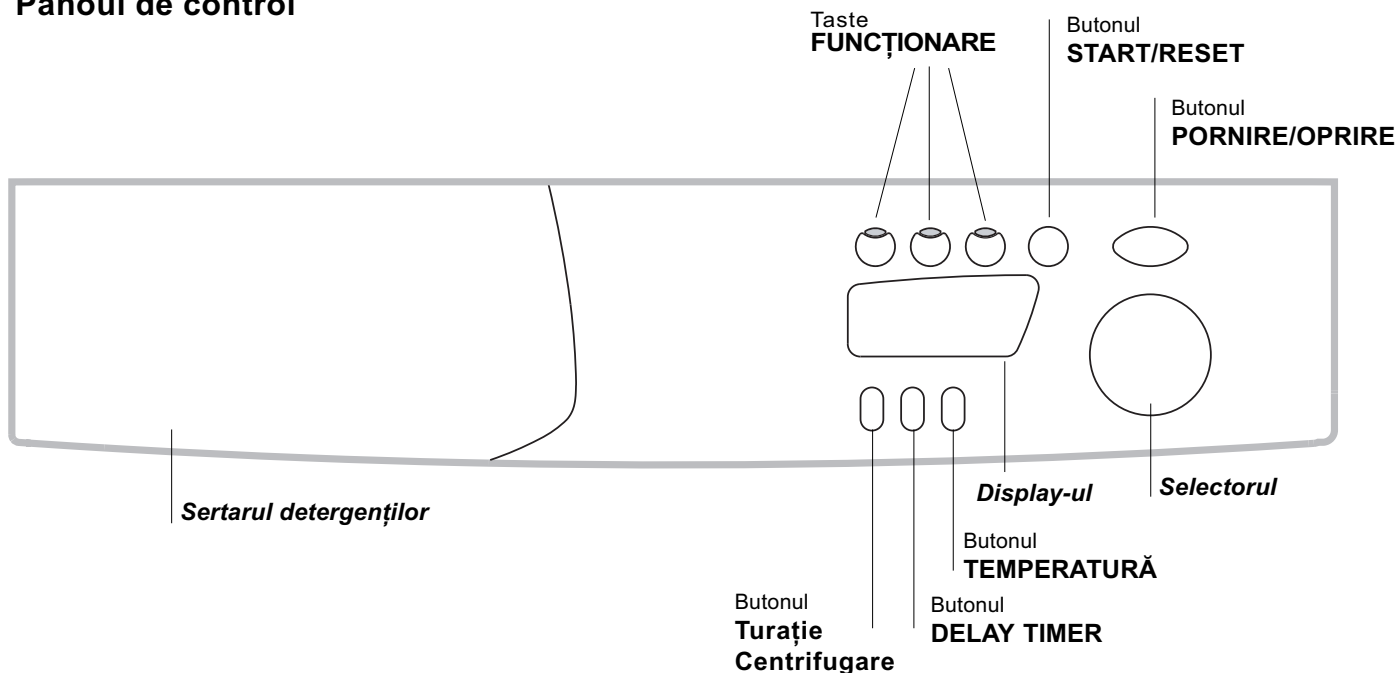
Anomalii

Asistență

Descrierea mașinii de spălat

RO

Panoul de control



Sertarul detergenților este folosit pentru a încărca detergenți și aditivi (a se vedea pag. 44).

Butonul **Turație Centrifugare** este folosit pentru reglarea turației de centrifugare până la excluderea acesteia (a se vedea pag. 43).

Butonul **DELAY TIMER** este folosit pentru a întârzia pornirea programului selectat cu maxim 24 de ore (a se vedea pag. 43).

Butonul **TEMPERATURĂ** este folosit pentru modificarea temperaturii de spălare (a se vedea pag. 43).

Display-ul este folosit pentru programarea mașinii de spălat și efectuarea avansării programelor de spălare (a se vedea pagina alăturată).

Taste **FUNCȚIONARE**: sunt folosite pentru a selecta funcțiile disponibile. Butonul corespunzător funcției selectate va rămâne aprins.

Butonul **START/RESET** este folosit pentru pornirea programelor sau anularea a ceea ce a fost selectat greșit.

Butonul **PORNIRE/OPRIRE** este folosit pentru pornirea și oprirea mașinii de spălat.

Selectorul este folosit pentru alegerea programelor. Pe durata programului, selectorul rămâne ferm.

Display-ul

Acesta este un instrument util pentru programarea mașinii (a se vedea pag. 43), furnizând totodată informații cu privire la programul de spălare.



După apăsarea butonului START/RESET pentru a porni programul, pe display este cronometrată durata reziduală până la inițierea programului de spălare ales. În cazul în care ați optat pentru inițierea programului de spălare după un anumit interval de timp (Delay Timer, a se vedea pag. 43), aceasta va fi vizualizată.

Hubloul blocat:

Simbolul aprins indică faptul că hubloul este blocat pentru a împiedica deschideri accidentale.


Pentru a evita daunele ce pot deriva dintr-o funcționare defectuoasă, este necesar să așteptați ca simbolul să se stingă înainte de a deschide hubloul.


La încheierea programului se vizualizează cuvântul END.

! În caz de anomalie apare un cod de eroare, de exemplu: F-01, de transmis Asistenței Tehnice (a se vedea pag. 48).

Program “MEMO”

Acest program permite memorarea programului de spălare preferat sau a celui mai utilizat.

Este suficient să se selecteze programul dorit și, după pornire să se rotească SELECTORUL în dreptul poziției ; automat programul va fi memorat iar pe display va apărea scris “MEMO” intermitent timp de câteva secunde.

După aceea va fi posibilă pornirea unui program “MEMO” doar prin rotirea SELECTORULUI în dreptul poziției ; se vor putea vizualiza valorile de temperatură/turație centrifugare/delay timer apăsând butoanele corespunzătoare; se vor putea chiar și modifica, însă această variație va fi valabilă doar pentru programul în curs și nu va fi memorată în programul „MEMO”.

Dacă se dorește memorarea unui nou program de spălare, repetați operațiile indicate mai sus.

RO

Instalare

Descriere

Programe

Detergenți

Precauții

Întreținere

Anomalii

Asistență

Pornire și Programe





RO

Pe scurt: pornirea unui program

1. Porniți mașina de spălat apăsând butonul (I).
2. Introduceți rufe și închideți hubloul.
3. Selectați cu ajutorul selectorului programul dorit.
Pe display va apărea durata estimată.
Temperatura și turația de centrifugare se selectează automat în baza programului (pentru a le modifica, a se vedea pag. 43).

4. Selectați eventuale funcții (*a se vedea pag. 43*).
5. Vărsați detergentii și aditivii (*a se vedea pag. 44*).
6. Porniți programul apăsând butonul START/RESET.
Pentru a-l anula, țineți apăsat butonul START/RESET timp de cel puțin 2 secunde.
7. La încheierea programului va apărea scris END.
Scoateți rufe și lăsați hubloul întredeschis pentru a se putea usca cuva.
8. Opriți mașina de spălat apăsând butonul (I).

Tabel de programe

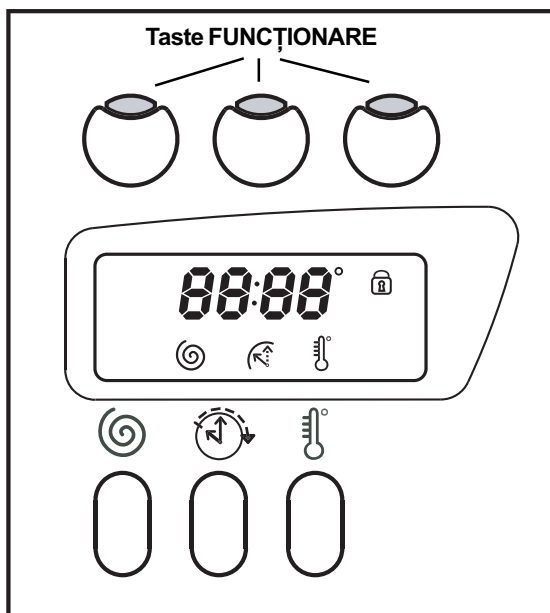
Tipul de țesătură și gradul de murdărie	Programe	Temperatură	Detergent		Aditiv înmuiere	Opțiune Antipătă / Decolorant	Durata programului (minute)	Descrierea programului de spălare
			presp.	spăl.				
Standard								
Albe extrem de murdare (cearceafuri, fețe de masă, etc.)	1	90°C	•	•	•		135	Prespălare, spălare, clătiri, stoarceri intermediare și finale
Albe extrem de murdare (cearceafuri, fețe de masă, etc.)	2	90°C		•	•	Delicată / Tradiționale	125	Spălare, clătiri, stoarceri intermediare și finale
Albe și colorate rezistente foarte murdare	2	60°C		•	•	Delicată / Tradiționale	110	Spălare, clătiri, stoarceri intermediare și finale
Albe și colorate rezistente foarte murdare	2	40°C		•	•	Delicată / Tradiționale	105	Spălare, clătiri, stoarceri intermediare și finale
Albe puțin murdare și culori delicate (cămăși, bluze, etc.)	3	40°C		•	•	Delicată / Tradiționale	70	Spălare, clătiri, stoarceri intermediare și finale
Culori rezistente foarte murdare (articole pentru noi născuți, etc.)	4	60°C		•	•	Delicată	75	Spălare, clătiri, antișifonare sau turație de centrifugare delicată
Culori rezistente foarte murdare (articole pentru noi născuți, etc.)	4	40°C		•	•	Delicată	60	Spălare, clătiri, antișifonare sau turație de centrifugare delicată
Lână	5	40°C		•	•		50	Spălare, clătiri, antișifonare și turație de centrifugare delicată
Țesături foarte delicate (perdele, mătase, văscoză, etc.)	6	30°C		•	•		45	Spălare, clătiri, antișifonare sau evacuare
Time 4 you								
Albe și colorate rezistente foarte murdare	7	60°C		•	•		60	Spălare, clătiri, stoarceri intermediare și finale
Albe puțin murdare și culori delicate (cămăși, bluze, etc.)	8	40°C		•	•		50	Spălare, clătiri, stoarceri intermediare și finale
Culori delicate (rufe de toate tipurile puțin murdare)	9	40°C		•	•		40	Spălare, clătiri și turație de centrifugare delicată
Culori delicate (rufe de toate tipurile puțin murdare)	10	30°C		•	•		30	Spălare, clătiri și turație de centrifugare delicată
Sport								
Încălțăminte sportivă (MAX 2 perechi.)	11	30°C		•	•		50	Spălare la rece (fără detergent), spălare, clătiri și turație de centrifugare delicată
Îmbrăcăminte sportivă (Treninguri, costume gimnastică, etc.)	12	30°C		•	•		60	Spălare, clătiri, turații de centrifugare intermediare și finale
MEMO		Permite memorarea oricărui tip de spălare (vezi pag. 41).						
PROGRAME PARȚIALE								
Clătire					•	Delicată / Tradiționale		Clătiri și turație de centrifugare
Turația de centrifugare								Evacuare apă și turație de centrifugare
Evacuare								Evacuare

Note

- Pentru programele 7 - 8 este recomandabil să nu se depășească o cantitate de rufe de 3,5 kg.
- Pentru programul 12 este recomandabil să nu se depășească o cantitate de rufe de 2 kg.
- Antișifonare-a se vedea „calcă mai ușor”, *pagina alăturată*. Datele specificate în tabel au valoare indicativă.

Program special

Zilnic 30' (programul 10 pentru materiale sintetice) este studiat pentru a spăla rufe puțin murdare într-un interval scurt de timp: durează doar 30 de minute, economisindu-se totodată energie și timp. Selectând programul (10 la 30°C) este posibilă spălarea împreună a țesăturilor de diverse tipuri (excluse lâna și mătasea) cu o încărcătură maximă de 3 kg. *Se recomandă folosirea detergentului lichid.*



Reglarea turației de centrifugare

Dacă la pornirea mașinii, SELECTORUL este poziționat în dreptul unui program care prevede turația de centrifugare, simbolul apare fix. Apăsând butonul se vizualizează turația maximă permisă de centrifugare pentru programul selectat iar simbolul luminează intermitent. Apăsând din nou valorile coboară până la OFF, ceea ce indică excluderea turației de centrifugare (apăsați din nou pentru a reveni la valoarea cea mai mare); opriți-vă la valoarea dorită, după circa 2 secunde selecția se acceptă: simbolul rămâne fix. Reglarea turației de centrifugare este activă pentru toate programele cu excepția programului 6 și a evacuării.

Reglarea delay timerului

Apăsând butonul , pe display se vizualizează scris OFF iar simbolul respectiv luminează intermitent. Apăsând din nou butonul apare „1h” adică întârziere de o oră și așa mai departe până la 24h; opriți-vă la „întârzierea” dorită, după circa 2 secunde selecția se acceptă; ulterior, pe display se vizualizează durata prevăzută pentru programul selectat iar simbolul rămâne aprins. Apăsând butonul START/RESET

apare din nou valoarea „întârzierii” selectate care descrește în fiecare oră până la pornirea programului; în această fază se poate modifica valoarea „întârzierii” doar micșorând-o. Reglarea Delay Timerului este activă cu toate programele.

Reglarea temperaturii

Dacă la pornirea mașinii, SELECTORUL este poziționat în dreptul unui program care prevede reglarea temperaturii, simbolul apare fix. Apăsând butonul se vizualizează temperatura maximă permisă pentru programul selectat iar simbolul luminează intermitent. Apăsând din nou, temperatura coboară până la OFF, care indică spălarea la rece (apăsați din nou pentru a reveni la valoarea cea mai mare); opriți-vă la valoarea dorită, după circa 2 secunde selecția se acceptă: simbolul rămâne fix.

Reglarea temperaturii este activă cu toate programele de spălare.

Funcții

Diferitele funcții de spălare prevăzute pentru mașina de spălat permit obținerea unor rezultate excepționale (o calitate îmbunătățită a spălării-rufe curate, etc.). Pentru a activa aceste funcții, procedați astfel:

1. apăsați butonul aferent funcției dorite, ținând cont de informațiile conținute în tabelul de mai jos;
2. aprinderea butonului respectiv indică faptul că funcția respectivă a fost activată.

Notă: Intermitența rapidă a butonului indică faptul că funcția respectivă nu este selecționabilă pentru programul ales. În cazul în care va fi selectată o funcție incompatibilă cu cea selectată mai înainte, doar ultima aleasă va rămâne activă.

Funcții	Efect	Note pentru folosire	Activă cu programele:
Antipată	Program de albire adecvat eliminării petelor persistente.	A se vărsa decolorantul în sertarul adițional 4(a se vedea pag. 44). În acest moment nu puteți utiliza funcția CALCĂ MAI UȘOR.	2, 3, 4, Clătiri.
Extra Clătire	Mărește eficacitatea clătirii.	Se recomandă cu mașina plină sau cu dozemărite de detergent.	1, 2, 3, 4, 7, 8, 9, 11, 12, Clătiri.
Calcă mai ușor	Reduce pliurile la țesături facilitând călcarea.	Selectând această funcție, programele 4, 5, 6 se întrerup cu rufe la înmuiat (Antișifonare) iar butonul respectiv luminează intermitent. - pentru a completa programul apăsați butonul START/RESET sau butonul CALCĂ MAI UȘOR. - pentru a efectua doar evacuarea poziționați selectorul în dreptul simbolului respectiv și apăsați butonul START/RESET. În acest moment nu puteți utiliza funcția ANTIPATĂ.	3, 4, 5, 6, 7, 8, 9, Clătiri.

RO

Instalare

Descriere

Programe

Detergenți

Precauții

Întreținere

Anomalii

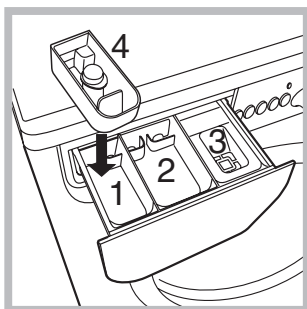
Asistență

Detergenți și rufe albe

RO

Sertarul detergenților

Un rezultat bun la spălare depinde și de dozarea corectă a detergentului: cu un exces de detergent nu se spală mai eficient, ci se contribuie la în crustarea părților interne ale mașinii de spălat și poluarea mediului înconjurător.



Extrageți sertarul pentru detergenți și introduceți detergentul sau aditivul, după cum urmează:

sertarul 1: Detergent pentru prespălare (sub formă de praf)

Înainte de a vărsa detergentul verificați ca sertarul adițional 4 să nu fie introdus.

sertarul 2: Detergent pentru spălare (sub formă de praf sau lichid)

Detergentul lichid trebuie vărsat doar înainte de pornire.

sertarul 3: Aditivi (soluție de înmuiat, etc.)

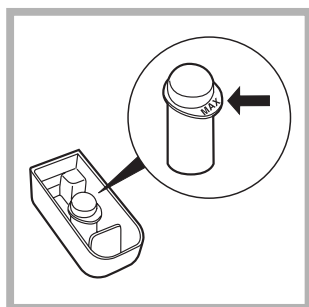
Soluția de înmuiat nu trebuie să depășească nivelul grătarului.

sertar adițional 4: Decolorant


! Nu folosiți detergenți pentru spălare manuală, deoarece formează prea multă spumă.

Program de albire

! Decolorantul **tradițional** se folosește pentru țesături rezistente albe, cel **delicat** pentru țesături colorate, sintetice și pentru lână.



Introduceți sertarul adițional 4, aflat în dotare în sertarul 1. Când dozați decolorantul nu depășiți nivelul „max” indicat pe pivotul central (a se vedea figura).

Pentru efectuarea doar a decolorării, vărsați decolorantul în sertarul adițional 4, selectați programul Clătire  și activați opțiunea Antipată (a se vedea pag. 43).

Pentru albirea pe durata spălării, vărsați detergentul și aditivii, selectați programul dorit și activați opțiunea Antipată (a se vedea pag. 43).

Folosirea sertarului adițional 4 exclude prespălarea.

Sortarea rufelor

- Subdivizați rufe în funcție de:
 - tipul de țesătură / simbolul de pe etichetă.
 - culori: separați rufe colorate de cele albe.
- Goliți buzunarele și controlați nasturii.
- Nu depășiți valorile indicate, referitoare la greutatea rufelor uscate:
 - Țesături rezistente: max 4,5 kg
 - Țesături sintetice: max 2,5 kg
 - Țesături delicate: max 2 kg
 - Lână: max 1 kg

Cât cântăresc rufe?

- 1 cearceaf: 400-500 g.
- 1 față de pernă: 150-200 g.
- 1 față de masă: 400-500 g.
- 1 halat de baie: 900-1.200 g.
- 1 prosop: 150-250 g.

Rufe deosebite

Perdele: împăturiți-le și așezați-le într-o față de pernă sau într-un sac de tip plasă. Spălați-le singure fără a depăși o jumătate din încărcătură. Folosiți programul 6 care exclude turația de centrifugare.

Plăpumi și haine de vânt: dacă căptușeala este din fulgi de gâscă sau de rață, se poate spăla în mașina de spălat doar câte un articol care să nu depășească o încărcătură maximă de 2-3 kg, repetând clătirea o dată sau de două ori și utilizând o turație de centrifugare delicată.

Lână: pentru a obține cele mai bune rezultate, folosiți un detergent specific și nu depășiți 1 kg de rufe.

! Mașina de spălat a fost proiectată și construită conform normelor internaționale de protecție. Aceste avertizări sunt furnizate din motive de siguranță și trebuie să fie citite cu atenție.

Protecție generală

- Acest aparat a fost conceput pentru o folosire de uz casnic, nu profesională, iar funcțiile sale nu trebuie alterate.
- Mașina de spălat trebuie să fie folosită doar de persoane adulte și respectând instrucțiunile din acest manual.
- Nu atingeți mașina când sunteți desculți sau cu mâinile sau picioarele ude sau umede.
- Nu scoateți ștecherul din priza de curent trăgând de cablu, ci trăgând de ștecher.
- Nu deschideți sertarul detergenților în timp ce mașina se află în funcțiune.
- Nu atingeți apa provenită din evacuare, care poate atinge temperaturi ridicate.
- Nu forțați în nici un caz hubloul: s-ar putea deteriora mecanismul de siguranță care împiedică deschiderile accidentale.
- În cazul defectărilor, nu interveniți în nici un caz în mecanismele interne pentru a încerca să reparați mașina de spălat.
- Controlați mereu ca în apropierea mașinii aflate în funcțiune să nu se afle copii.
- Pe durata spălării hubloul are tendința de a se încălzi.
- Dacă mașina trebuie să fie deplasată, faceți acest lucru în două sau trei persoane, cu maximă atenție. Niciodată nu deplasați mașina singuri deoarece aceasta este foarte grea.
- Înainte de a introduce rufe, controlați ca în interior să fie goală.

Aruncarea reziduurilor

- Aruncarea materialelor de ambalare: respectați normele locale, în acest fel ambalajele vor putea fi reutilizate.

- Aruncarea mașinii vechi de spălat : înainte de a o arunca, făceți-o inutilizabilă tăindu-i cablul de alimentare electrică și scoțându-i hubloul.

Protecția și respectarea mediului înconjurător

Tehnologia la dispoziția mediului înconjurător

Dacă prin hubloul se vede puțină apă este pentru că, datorită noii tehnologii Indesit, este suficientă mai puțin de jumătate din apă pentru a obține o curățare maximă: un scop atins pentru respectarea mediului înconjurător.

Economisirea de detergent, apă, energie și timp

- Pentru a economisi detergent, apă, timp folosiți încărcătura maximă.
O încărcare totală în locul a două jumătăți, permite economisirea de până la 50% energie electrică.
- Prespălarea este necesară doar pentru rufe foarte murdare. Evitarea acesteia permite economisirea de detergent, timp, apă și între 5 și 15% energie electrică.
- Tratând petele cu o substanță pentru îndepărtarea acestora și lăsându-le la înmuiat înainte se spălare, se reduce necesitatea de a spăla la temperaturi mari. Un program la 60°C în locul unuia la 90°C sau unul la 40°C în locul unuia la 60°C, permit economisirea de până la 50% energie electrică.
- Dozați bine detergentul în funcție de duritatea apei, de gradul de murdărie și de cantitatea de rufe, pentru a evita risipe și pentru a proteja mediul înconjurător: deși sunt biodegradabili, detergenții conțin elemente care alterează echilibrul naturii. Mai mult, evitați pe cât posibil aditivul de înmuiere.
- Efectuând spălări începând de seara și până la primele ore ale dimineții, se colaborează pentru reducerea sarcinii de absorbire a întreprinderilor electrice. Opțiunea Delay Timer (a se vedea pag. 43) contribuie la organizarea spălărilor în acest sens.
- Dacă rufe trebuie uscate într-un uscător, selectați o turație mare de centrifugare. Cantitatea redusă de apă permite economisirea de timp și energie electrică la programul de uscare.

RO

Instalare

Descriere

Programe

Detergenți

Precauții

Întreținere

Anomalii

Asistență

Întreținere și îngrijire

RO

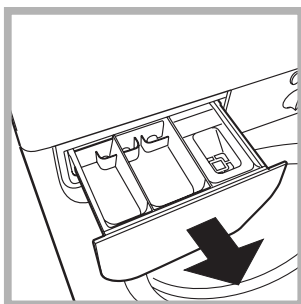
Oprirea apei și a curentului electric

- Închideți robinetul de apă după fiecare spălare. Se limitează astfel uzarea instalației hidraulice a mașinii de spălat și se elimină pericolul scurgerilor.
- Scoateți ștecherul din priza de curent atunci când curățați mașina de spălat și când se efectuează lucrări de întreținere.

Curățarea mașinii de spălat

Partea externă și părțile din cauciuc pot fi curățate cu o cârpă înmuiată în apă caldă și săpun. Nu folosiți solvenți sau substanțe abrazive.

Curățarea sertarului pentru detergenți



Scoateți sertarul ridicându-l și trăgându-l spre exterior (a se vedea figura): Spălați-l cu apă; această curățare trebuie efectuată frecvent.

Îngrijirea hubloului și a cuvei

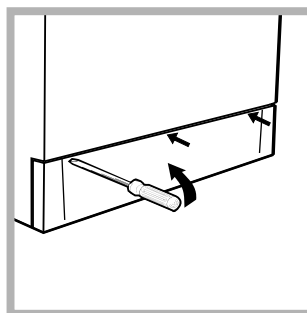
- Lăsați mereu hubloul întredeschis pentru a evita formarea mirosurilor neplăcute.

Curățarea pompei

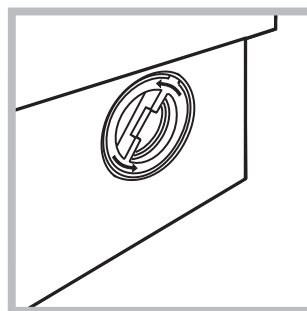
Mașina de spălat este echipată cu o pompă autocurățătoare care nu necesită întreținere. Se poate întâmpla însă ca obiecte mici (monede, nasturi) să cadă în precamera care protejează pompa, situată în partea inferioară a acesteia.

! Verificați ca programul de spălare să se fii încheiat și scoateți din priză.

Pentru a avea acces la precameră, procedați astfel:



1. scoateți panoul de acoperire de pe latura anterioară a mașinii de spălat folosindu-vă de o șurubelniță (a se vedea figura):



2. deșurubați capacul rotindu-l în sens invers (a se vedea figura): este normal să curgă puțină apă;

3. curățați cu grijă interiorul;
4. montați din nou capacul;
5. montați din nou panoul verificând, înainte de a-l împinge spre mașină, de a fi introdus cârligele în orificiile respective.

Controlarea furtunului de alimentare cu apă

Controlați furtunul de alimentare cel puțin o dată pe an. Dacă prezintă crăpături sau fisuri trebuie înlocuit: pe parcursul spălărilor, presiunile puternice ar putea provoca crăpături neașteptate.

! Nu folosiți furtunuri deja folosite.

Se poate întâmpla ca mașina de spălat să nu funcționeze. Înainte de a telefona la Asistență (a se vedea pag. 48), verificați dacă această problemă nu poate fi remediată de dvs., astfel:

Anomalii:

Cauze posibile / Rezolvare:

Mașina de spălat nu pornește.

- Ștecherul nu este introdus sau nu a fost suficient introdus în priză de curent astfel încât să existe conexiune electrică.
- În casă nu este curent electric.

Programul de spălare nu poate fi activat.

- Hubloul nu este bine închis (pe display se vizualizează scris DOOR).
- Butonul (I) nu a fost apăsat.
- Butonul START/RESET nu a fost apăsat.
- Robinetul de apă nu este deschis
- A fost fixată o întârziere de pornire (Delay Timer, a se vedea pag. 43).

Mașina de spălat nu încarcă apă (Pe display este vizualizat scris H₂O).

- Furtunul de alimentare cu apă nu este conectat la robinet.
- Furtunul este îndoit.
- Robinetul de apă nu este deschis
- În casă lipsește apa.
- Nu este presiune suficientă.
- Butonul START/RESET nu a fost apăsat.

Mașina de spălat încarcă și evacuează apă încontinuu.

- Furtunul de evacuare nu a fost instalat la o distanță cuprinsă între 65 și 100 cm de pământ (a se vedea pag. 39).
 - Extremitatea furtunului de evacuare este cufundată în apă (a se vedea pag. 39).
- Dacă după aceste verificări problema nu se rezolvă, închideți robinetul de apă, opriți mașina de spălat și chemați Asistența. Dacă locuința se află la ultimele etaje ale unui edificiu, este posibil să aibă loc fenomene de sifonare, motiv pentru care mașina de spălat încarcă și evacuează apă încontinuu. Pentru a elimina acest inconvenient, se găsesc în comerț supape anti-sifonare.

Mașina de spălat nu evacuează sau nu storce.

- Programul nu prevede evacuarea apei: cu unele programe este necesar să se pornească manual (a se vedea pag. 42).
- Este activă opțiunea "Calcă mai ușor": pentru a completa programul, apăsați butonul START/RESET (a se vedea pag. 43).
- Furtunul de evacuare este îndoit (a se vedea pag. 39).
- Conducta de evacuare este înfundată.

Mașina de spălat vibrează foarte mult pe parcursul turației de centrifugare.

- Cuva, în momentul instalării, nu a fost deblocată în mod corect (a se vedea pag. 38).
- Mașina de spălat nu este poziționată orizontal (a se vedea pag. 38).
- Mașina de spălat este fixată foarte puternic între mobilă și zid (a se vedea pag. 38).

Mașina de spălat pierde apă.

- Furtunul de alimentare cu apă nu este bine înșurubat (a se vedea pag. 38).
- Sertarul detergentilor este înfundat (pentru a-l curăța, a se vedea pag. 46).
- Furtunul de evacuare nu este bine fixat (a se vedea pag. 39).

Se formează prea multă spumă.

- Detergentul nu este specific pentru mașina de spălat (trebuie să fie scris „pentru mașina de spălat”, „de mână sau în mașina de spălat”, sau ceva asemănător).
- Dozajul a fost excesiv.

RO

Instalare

Descriere

Programe

Detergenți

Precauții

Întreținere

Anomalii

Asistență

Înainte de a lua legătura cu Asistența:

- Verificați dacă anomalia poate fi remediată de dvs. (*a se vedea pag. 47*);
- Porniți din nou programul pentru a controla dacă inconvenientul a fost eliminat;
- În caz contrar, vă recomandăm să apelați la Unitatea de Service.

! Nu apelați niciodată la tehnicieni neautorizați.

Comunicați:

- tipul de anomalie;
- modelul mașinii (Mod.);
- numărul de serie (S/N).

Aceste informații se află pe eticheta autocolantă aplicată în partea din spate a mașinii de spălat.

HU

Magyar

WISE 127 X

HU

Összefoglalás

Üzembehelyezés, 50-51

Kicsomagolás és vízszintbe állítás, 50
Víz és elektromos csatlakozás, 50-51
Első mosási ciklus, 51
Műszaki adatok, 51

Mosógép leírása, 52-53

Vezérlőpanel, 52
Kijelző, 53
"MEMO" Program, 53

Indítás és Programok, 54

Röviden: egy program elindítása, 54
Programtáblázat, 54

Program módosítások, 55

Centrifugálás beállítása, 55
Az időkésleltetés beállítása, 55
Hőmérséklet beállítása, 55
Funkciók, 55

Mosószerek és mosandók, 56

Mosószeraadagoló fiók, 56
Fehérítő ciklus, 56
Mosandó ruhák előkészítése, 56
Különleges bánásmódot igénylő darabok, 56

Óvintézkedések és tanácsok, 57

Általános biztonság, 57
Hulladékelhelyezés, 57
Környezetvédelem, 57

Karbantartás és törődés, 58

A víz elzárása és az elektromos áram kikapcsolása, 58
A mosógép tisztítása, 58
A mosószertartó tisztítása, 58
Az ajtó és a forgódob gondozása, 58
A szivattyú tisztítása, 58
A vízbevezető cső ellenőrzése, 58

Rendellenességek és elhárításuk, 59

Szerviz, 60

Mielőtt a Szervizhez fordulna, 60

Üzembehelyezés

HU

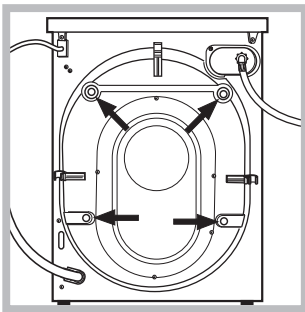
! E kézikönyv megőrzése azért fontos, hogy bármikor elővehesse, és megnézhesse. Ha a mosógépet eladná, átadná vagy másnál helyezné el, gondoskodjon arról, hogy e használati utasítás a géppel együtt maradjon, hogy az új tulajdonos is megismerhesse a mosógép funkcióit és az ezekre vonatkozó figyelmeztetéseket.

! Figyelmesen olvassa el az utasításokat: fontos információkat tartalmaznak az üzembehelyezésről, a használatról és a biztonságról.

Kicsomagolás és vízszintbe állítás

Kicsomagolás

1. Csomagolja ki a mosógépet.
2. Ellenőrizze, hogy a mosógép nem sérült-e meg a szállítás során. Ha a gépen sérülést talál, ne csatlakoztassa, és forduljon a készülék eladójához.



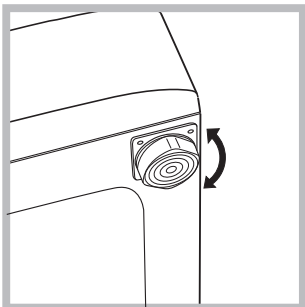
3. Távolítsa el a hátoldalon található, a szállításhoz felszerelt 4 védőcsavart, valamint a gumit a hozzá tartozó távtartóval (lásd ábra).

4. A furatokat zárja le a tartozékként kapott műanyag dugókkal.
5. Minden darabot őrizzen meg: ha a mosógépet szállítani kell, előtte ezeket vissza kell szerelni.

! A csomagolóanyag nem gyermekjáték

Vízszintezés

1. A mosógépet sík és kemény padlóra állítsa, úgy, hogy ne érjen falhoz, bútorhoz vagy másához.

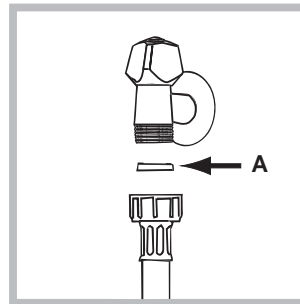


2. Ha a padló nem tökéletesen vízszintes, az első lábak be-, illetve kicsavarásával kompenzálhatja azt (lásd ábra). A dőlés a gép felső burkolatán mérve nem lehet több, mint 2°.

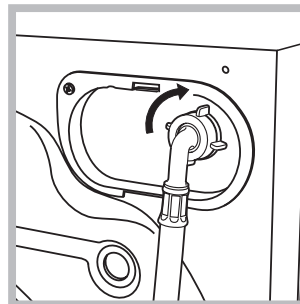
A pontos vízszintezés biztosítja a gép stabilitását, így az a működés során nem fog vibrálni, zajt okozni vagy elmozdulni. Szőnyegpadló vagy szőnyeg esetén a lábakat úgy állítsa be, hogy a mosógép alatt elegendő hely maradjon a szellőzésre.

Víz és elektromos csatlakozás

Vízbevezető cső csatlakoztatása



1. Illessze az A tömítést a vízbevezető cső végére és csavarozza fel a 3/4"-os külső menettel rendelkező hidegvíz csapra (lásd ábra). A csatlakoztatás előtt eresszen ki a csapból vizet addig, amíg a víz teljesen átlátszóvá nem válik.



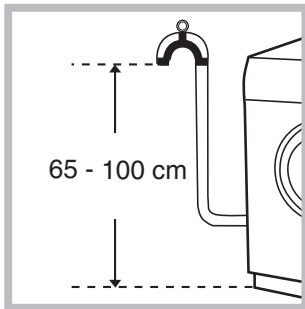
2. Csatlakoztassa a vízbevezető csövet a mosógéphez úgy, hogy azt a hátul jobboldalon fent lévő vízbemeneti csonkra csavarozza (lásd ábra).

3. Ügyeljen arra, hogy a csövön ne legyen törés vagy szűkület.

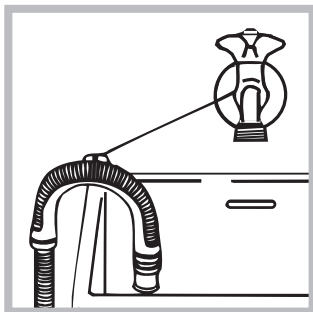
! A csapnál a víznyomásnak a Műszaki adatok táblázatban szereplő határértékek között kell lennie (lásd a szemben lévő oldalt).

! Amennyiben a vízbevezető cső nem elég hosszú, forduljon szakülethez vagy megbízott szakemberhez.

A leeresztőcső csatlakoztatása



A leeresztőcsövet csatlakoztassa lefolyóhoz vagy a padlótól 65 és 100 cm közötti magasságban lévő fali lefolyószifonhoz anélkül, hogy megtörné,



vagy akassza a mosdó vagy a kád szélére úgy, hogy a tartozékok között lévő vezetőt a csaphoz erősíti (lásd ábra). A leeresztőcső szabad végének nem szabad vízbe merülnie.

! Toldások használata nem javasolt. Amennyiben feltétlenül szükséges, a toldás átmérője egyezzen meg az eredeti csőével, és semmiképpen se legyen 150 cm-nél hosszabb.

Elektromos bekötés

Mielőtt a csatlakozódugót az aljzatba dugná, bizonyosodjon meg arról, hogy:

- az aljzat földelése megfelel a törvény által előírtak;
- az aljzat képes elviselni a gép Műszaki adatait tartalmazó táblázatban megadott maximális teljesítményfelvételt (lásd szemben);
- a hálózat feszültsége a Műszaki adatokat tartalmazó táblázatban szereplő értékek közé esik (lásd szemben);
- Az aljzat legyen kompatibilis a gép csatlakozódugójával. Ellenkező esetben cserélje ki az aljzatot vagy a csatlakozódugót.

! A mosógép nem állítható fel nyílt téren, még akkor sem, ha a tér tetővel van fedve, mert nagyon veszélyes, ha a gép esőnek vagy zivataroknak van kitéve.

! A csatlakozódugónak könnyen elérhető helyen kell lennie akkor is, amikor a gép már a helyén áll.

! Ne használjon hosszabbítót vagy elosztót.

! Ne legyen a kábel megtörve vagy összenyomva.



! A hálózati kábelt csak megbízott szakember cserélheti.

Figyelem! A gyártó minden felelősséget elhárít, amennyiben a fenti előírásokat figyelmen kívül hagyják.

Első mosási ciklus

Üzembehelyezés után, mielőtt a mosógépet használni kezdené, végezzen egy 90°-os előmosás nélküli mosást mosóporral de mosandó ruha nélkül.

Műszaki adatok

Modell	WISE 127 X
Méret	szélesség 59,5 cm magasság 85 cm mélység 40 cm
Ruhátöltet:	1-től 4,5 kg-ig
Elektromos csatlakozás	feszültség 220/230 Volt 50 Hz maximális felvett teljesítmény 1850 W
Vízcsatlakozások	maximális nyomás 1 MPa (10 bar) minimális nyomás 0,05 MPa (0,5 bar) dob űrtartalma 40 liter
Centrifuga fordulatszám	1200 fordulat/perc-ig
IEC456 szabvány Szerinti vezérlőprogramok	2-as program; hőmérséklet 60°C; 4,5 kg ruhatöltettel végezve.
 	Ez a berendezés megfelel a következő Uniói Előírásoknak: - 73/02/19-i 73/23/CEE előírás (Alacsony feszültség) és annak módosításai - 89/05/03-i 89/336/CEE előírás (Elektromágneses összeférhetőség) és annak módosításai - 2002/96/CE

Ü

Üzembehelyezés

Leírás

Programok

Mosószer

Övintézkedések

Karbantartás

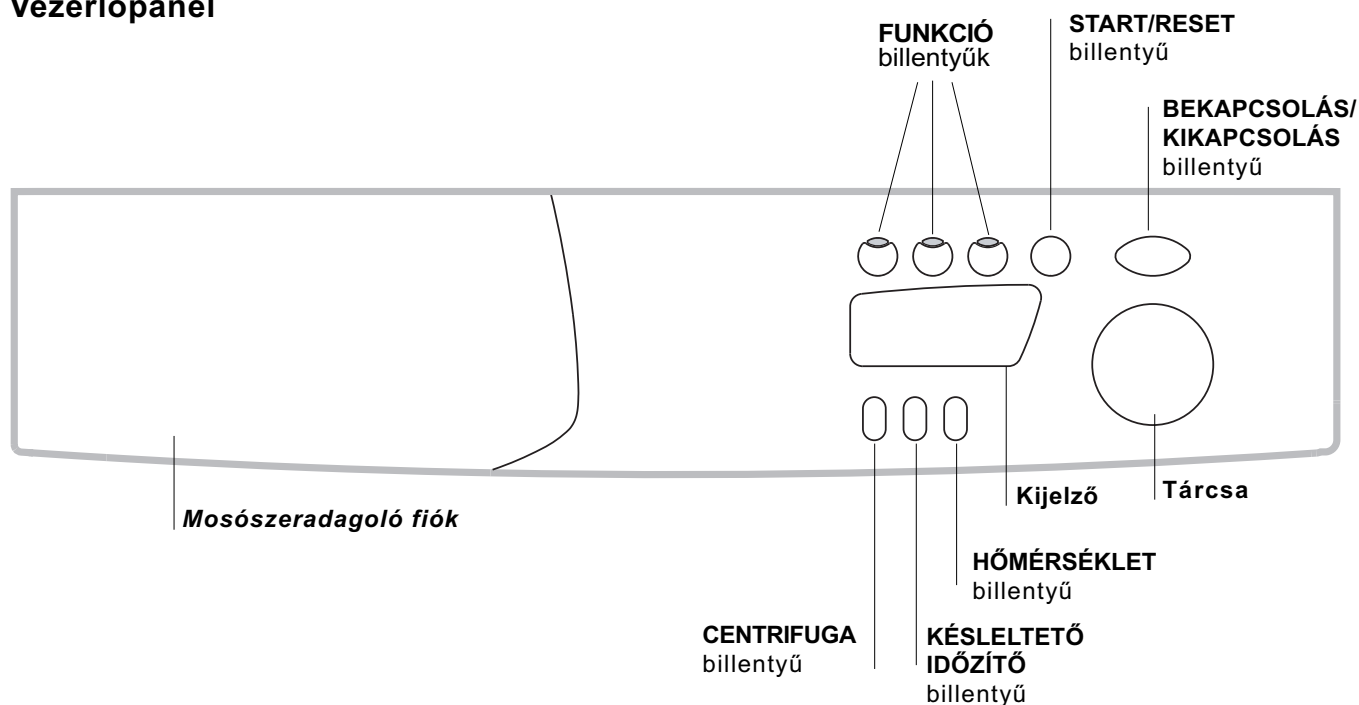
Rendellenességek

Szerviz

A mosógép leírása

HU

Vezérlőpanel



Mosószeradagoló fiók a mosószerek és adalékszerek betöltésére (lásd 56. oldal).

CENTRIFUGA billentyű a centrifugálás fordulatszámának beállítására illetve a centrifugálás kikapcsolására (lásd 55. oldal).

KÉSLELTETŐ IDŐZÍTŐ billentyű, a beállított program indítását késlelteti maximum 24 óráig (lásd old. 55).

HŐMÉRSÉKLET billentyű a mosás hőmérsékletének módosítására (lásd 55. oldal).

Kijelző a mosógép programozására és a mosási ciklusok előrehaladásának ellenőrzésére (lásd szemben lévő oldal).

FUNKCIÓ billentyűk: a lehetséges funkciók kiválasztására. A kiválasztott funkció billentyűje világít.

START/RESET billentyű a program elindítására vagy a hibás beállítás törlésére.

BEKAPCSOLÁS/KIKAPCSOLÁS billentyű a mosógép be- illetve kikapcsolására.

Tárcsa a programok kiválasztására. A program során a tárcsa nem mozog.

Kijelző

A mosógép programozásán kívül (lásd 55. old.), a kijelző a mosási ciklussal kapcsolatos információk megjelenítésére szolgál.



Az után, hogy a program elindításához megnyomta a START/RESET billentyűt, a kijelzőn a ciklus végéig hátralévő idő látható. Abban az esetben, ha az indító órán késleltetés van beállítva (Késleltetés időzítő, lásd 55. oldal) ezt megjeleníti.



Ajtózár:

A világító jelzőlámpa jelöli, hogy az ajtó reteszelve van a véletlen kinyitás megakadályozására. A károk elkerülése érdekében meg kell várni, hogy a jelzőlámpa kialudjon, mielőtt megpróbálná az ajtót kinyitni.

A program végén az END felirat jelenik meg.

! Rendellenes működés esetén a hiba kódja jelenik meg, például: F-01, amit a Szervizzel közölni kell (lásd 60. oldal).

“MEMO” Program

Ez a program lehetővé teszi a kedvenc vagy leggyakrabban használt mosási program tárolását. Elegendő beállítani a kívánt programot, majd annak elindítása után a TÁRCSA  állásba kapcsolni, és a ciklus automatikusan memorizálódik, a kijelzőn pedig pár másodpercig megjelenik a villogó “MEMO” felirat. Ezt követően a “MEMO” program egyszerűen a TÁRCSA  pozícióba állításával elindítható; a megfelelő gombok megnyomásával megjeleníthetők a hőmérsékleti/centrifugálási/késleltetési értékek, azok megváltoztathatóak, de a változtatás csak az adott mosásra marad érvényben és nem memorizálódik a “MEMO” ciklusban.

Ha új mosási ciklust szeretne memorizálni, ismételje meg a fent leírtakat.



Üzembehelyezés

Leírás

Programok

Mosószeresek

Övintézkedések

Karbantartás

Rendellenességek

Szerviz

Indítás és Programok





HU

Röviden: egy program elindítása

1. Az (I) billentyű megnyomásával kapcsolja be a mosógépet.
2. Rakja be a mosandó ruhát, és csukja be az ajtót.
3. A tárcsával válassza ki a kívánt programot. A kijelzőn a becsült idő jelenik meg. A hőmérsékletet és a centrifugálást a program alapján automatikusan beállítja (a módosításhoz lásd a 55. oldalt).

4. A lehetséges funkciók kiválasztása (lásd old. 55).
5. Töltse be a mosószert és az adalékokat (lásd 56. oldal).
6. A START/RESET billentyű megnyomásával indítsa el a programot.
A törléshez tartsa nyomva a START/RESET billentyűt legalább 2 másodpercen keresztül.
7. A program végén az END felirat jelenik meg. Vegye ki a mosott ruhát, és resre hagyja nyitva az ajtót, hogy a dob kiszáradhasson.
8. Az (I) billentyűvel kapcsolja ki a mosógépet.

Programtáblázat

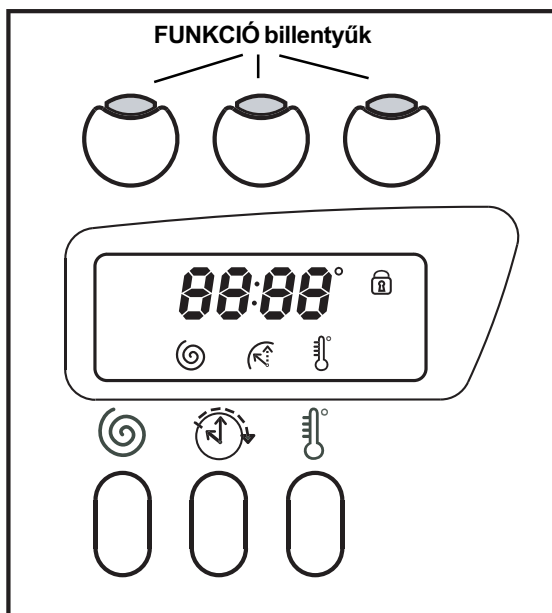
Az anyag és a piszok természete	Programok	Hőmérséklet	Mosószer		Lágyítószer	Folteltávolító/ Fehérítő opció	Ciklusidő (perc)	A mosási ciklus leírása
			előmosás	mosás				
Szokásos								
Erősen szennyezett fehér ruhák (lepedő, abrosz, stb.)	1	90°C	•	•	•		135	Előmosás, mosás, öblítés, középső és végső centrifugálás
Erősen szennyezett fehér ruhák (lepedő, abrosz, stb.)	2	90°C		•	•	Finom / Hagyományos	125	Mosás, öblítés, középső és végső centrifugálás
Erősen szennyezett fehér és magasabb hőmérsékleten mosható színes ruhák	2	60°C		•	•	Finom / Hagyományos	110	Mosás, öblítés, középső és végső centrifugálás
Erősen szennyezett finom fehér és színes ruhák	2	40°C		•	•	Finom / Hagyományos	105	Mosás, öblítés, középső és végső centrifugálás
Enyhén szennyezett fehér és finom színes ruhák (ingek, blúzok, stb.)	3	40°C		•	•	Finom / Hagyományos	70	Mosás, öblítés, középső és végső centrifugálás
Erősen szennyezett magasabb hőmérsékleten mosható színes ruhák (baba fehémemű, stb.)	4	60°C		•	•	Finom	75	Mosás, öblítés, gyűrődésgátlás vagy finom centrifugálás
Erősen szennyezett magasabb hőmérsékleten mosható színes ruhák (baba fehémemű, stb.)	4	40°C		•	•	Finom	60	Mosás, öblítés, gyűrődésgátlás vagy finom centrifugálás
Gyapjú	5	40°C		•	•		50	Mosás, öblítés, gyűrődésgátlás és finom centrifugálás
Nagyon finom szövetek (függönyök, selyem, viszkóz, stb.)	6	30°C		•	•		45	Mosás, öblítés, gyűrődésgátlás vagy őrítés
Idő Önnel								
Erősen szennyezett fehér és magasabb hőmérsékleten mosható színes ruhák	7	60°C		•	•		60	Mosás, öblítés, középső és végső centrifugálás
Enyhén szennyezett fehér és finom színes ruhák (ingek, blúzok, stb.)	8	40°C		•	•		50	Mosás, öblítés, középső és végső centrifugálás
Finom színes ruhák (bármilyen enyhén szennyezett fehémemű)	9	40°C		•	•		40	Mosás, öblítés és finom centrifugálás
Finom színes ruhák (bármilyen enyhén szennyezett fehémemű)	10	30°C		•	•		30	Mosás, öblítés és finom centrifugálás
Sport								
Sportcipők (MAX. 2 pár.)	11	30°C		•	•		50	Hidegmosás (mosópor nélkül), mosás, öblítés és finom centrifugálás
Sportruhák (tréningruhák, rövidnadrágok, stb.)	12	30°C		•	•		60	Mosás, öblítés, középső és végső centrifugálás
MEMO		Bármilyen mosási típus memorizálását engedélyezi (lásd 53. oldal).						
RÉSZLEGES PROGRAMOK								
Öblítés					•	Finom / Hagyományos		Öblítés és centrifugálás
Centrifugálás								Ürítés és centrifugálás
Ürítés								Ürítés

Megjegyzések

- A 7 - 8 programok esetén nem ajánlatos 3,5 kg ruhánál többet betenni.
- A 12 program esetén nem ajánlatos 2 kg ruhánál többet betenni.
- A gyűrődésgátlás leírásához: lásd Vasalj kevesebbet, szemben lévő oldal. A táblázatban szereplő értékek tájékoztató jellegűek.

Speciális program

Napközbeni 30' (10-es program szintetikus anyagokhoz) programot kevésbé szennyezett ruhák gyors mosására fejlesztettük ki: mindössze 30 percig tart, így energiát és időt takarít meg. A 10-es programot 30°C hőmérsékletre beállítva különböző jellegű anyagokat együttesen lehet mosni (kivéve gyapjú és selyem), maximum 3 kg-os töltéssel. *Folyékony mosószer használatát javasoljuk.*



Centrifugálás beállítása

Ha a mosógép bekapcsolásakor a TÁRCSA olyan programra van állítva, amelynél a centrifugálást be kell állítani, az ikon folyamatosan világít. Az gomb megnyomásával megjelenik a beállított programra vonatkozó maximális centrifugálási sebesség és az ikon villogni kezd. A gomb ismételt megnyomásával az érték OFF állásig csökken, ami a centrifugálás elhagyását jelenti (ha vissza szeretne térni magasabb értékhez, nyomja a gombot tovább); álljon meg a kívánt értéknél, körülbelül 2 másodperc múlva a kiválasztott értéket a mosógép elfogadja: az szimbólum folyamatosan világít. A beállított centrifugálási fordulatszám minden programra érvényes, kivéve a 6-est és a Szivattyúzást.

Az időkésleltetés beállítása

A kijelzőn az gomb megnyomása után megjelenik az OFF felirat és az ennek megfelelő szimbólum villogni kezd. A gomb újbóli megnyomásával megjelenik az „1h”, azaz egy órás késleltetés, és így tovább, egészen 24 óráig; álljon meg a kívánt „késleltetésnél”, körülbelül 2 másodperc múlva a kiválasztott értéket a mosógép elfogadja; ezt követően a kijelzőn megjelenik a beállított programra vonatkozó

késleltetési idő és az szimbólum folyamatosan világít. Ha most megnyomja a START/RESET gombot, újra megjelenik a kiválasztott „késleltetési” idő, mely minden órával csökken egészen a ciklus indulásáig, ebben a szakaszban a „késleltetés” csak visszafele módosítható. Az Időkésleltető mindegyik programhoz beállítható.

Hőmérséklet beállítása

Ha a mosógép bekapcsolásakor a TÁRCSA olyan programra van állítva, amelynél a hőmérsékletet be kell állítani, az ikon folyamatosan világít. Az gomb megnyomásával megjelenik a beállított programra vonatkozó maximális hőmérséklet és az ikon villogni kezd. A gomb ismételt megnyomásával a hőmérséklet OFF állásig csökken, ami a hidegmosást jelenti (ha vissza szeretne térni magasabb értékhez, nyomja a gombot tovább); álljon meg a kívánt értéknél, körülbelül 2 másodperc múlva a kiválasztott értéket a mosógép elfogadja: az szimbólum folyamatosan világít. A beállított hőmérséklet minden mosóprogramra érvényes.

Funkciók

A mosógép különféle mosófunkciói lehetővé teszik a kívánt tisztítás és fehérség elérését. A funkciók bekapcsolásához:

1. nyomja meg a kívánt funkcióhoz tartozó billentyűt, az alábbi táblázat szerint;
2. a billentyű világítása azt jelzi, hogy a hozzá tartozó funkció be van kapcsolva.

Megjegyzés: A gyors villogás azt jelenti, hogy a beállított programhoz a billentyűhöz tartozó funkció nem kapcsolható be.

Abban az esetben, ha egy másik, korábban kiválasztottal össze nem férő funkciót kapcsol be, csak az utolsóként választott marad bekapcsolva.

Funkciók	Hatás	Megjegyzések a használathoz	A következő programokkal működik:
Fehérités	A fehérités ciklus a legmakacsabb foltok eltávolítására alkalmas.	Ne felejtse al a fehéritőszert a 4-es berakható tartályba tölteni (lásd 56. oldal). Ez a VASALJ KEVESEBBET funkcióval nem fér össze.	2, 3, 4, Öblítések.
Extra Öblítés	Növeli az öblítés hatékonyságát.	A mosógép teljes töltése esetén vagy nagymennyiségű mosószeradagolás esetén javasolt.	1, 2, 3, 4, 7, 8, 9, 11, 12, Öblítések.
Vasalj kevesebbet	Csökkenti az anyagok gyűrését, ezzel könnyítve a vasalást.	Ennek a funkciónak a beállításával a 4, 5, 6 programok az áztatásnál (Gyűrődésgátlás) leállnak és az ehhez tartozó gomb villogni kezd. - a ciklus befejezéséhez nyomja meg a START/RESET vagy a VASALJ KEVESEBBET gombot. - ha csak le akarja szivattyúzni a vizet, a tárcsát állítsa a szivattyúzás szimbólumára , és nyomja meg a START/RESET billentyűt. Ez a FEHÉRÍTÉS funkcióval nem fér össze.	3, 4, 5, 6, 7, 8, 9, Öblítések.

Üzembehelyezés

Leírás

Programok

Mosószeretek

Övintézkedések

Karbantartás

Rendellenességek

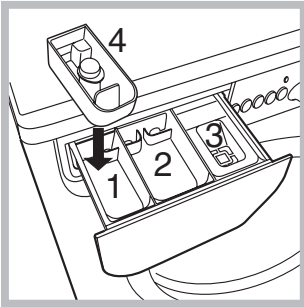
Szerviz

Mosószeresek és mosandók

HU

Mosószeradagoló fiók

A mosás eredményessége függ a mosószer helyes adagolásától is: ha túl sokat adagol belőle, a mosás nem lesz hatékonyabb, de hozzájárul ahhoz, hogy lerakódás képződjön a mosógépben, valamint a környezetet is jobban szennyezi.



Húzza ki a mosószeradagoló fiókot, és a következőképpen tegye bele a mosószert vagy az adalékot.

1-es tartály: Mosószer előmosáshoz (por)

A mosószer betöltése előtt győződjön meg arról, hogy a 4-es berakható tartály nincs fiókban.

2-es tartály: Mosószer mosáshoz (por vagy folyadék)

A folyékony mosószert csak az indítás előtt lehet betölteni.

3-as tartály: Adalékok

(öblítőszer, illatosítók, stb.)

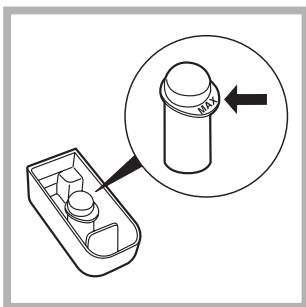
Az öblítőszer ne érjen a rács fölé.

4-es berakható tartály: Fehérítőszer


! Ne használjon kézimosószert, mert túlzottan sok hab képződik.

Fehérítő ciklus

! A **hagyományos** fehérítést tartós fehér ruhákhoz, a **kíméletest** pedig színes, szintetikus vagy gyapjú anyagokhoz használjuk.



Tegye be a 4-es berakható tartályt az 1-es rekeszbe. A fehérítőszer betöltése közben vigyázzon arra, hogy az a központi csapon jelzett "max" szintet ne haladja meg (lásd ábra).

Ha csak fehérítést akar végezni, öntse a fehérítőszer a 4-es berakható tartályba, és állítsa be az  Öblítés programot és kapcsolja be a Fehérítés opciót (lásd 55. oldal).

Ha a mosás során akar fehéríteni, töltsse be a mosószert és az adalékokat, állítsa be a kívánt programot, és kapcsolja be a Fehérítés opciót (lásd 55. oldal).

A 4-es berakható tartály használata kizárja az előmosást.

Mosandó ruhák előkészítése

- Osztályozza a mosandókat a következők szerint:
 - kelme típusa / címkén lévő szimbólum.
 - színek: válogassa külön a színes ruhákat a fehérektől.
- Ūrítse ki a zsebeket, és vizsgálja meg a gombokat.
- Ne lépje túl a mosandók száraz súlyára vonatkozóan megadott értékeket:
 - Tartós anyagok: max. 4,5 kg
 - Szintetikus anyagok: max. 2,5 kg
 - Kényes anyagok: max. 2 kg
 - Gyapjú: max. 1 kg

Milyen nehezek a mosandó ruhák?

- 1 lepedő 400-500 g.
- 1 párnahuzat 150-200 g.
- 1 asztalterítő 400-500 g.
- 1 fürdőköpeny 900-1200 g.
- 1 törülköző 150-250 g.

Különleges bánásmódot igénylő darabok

Függönyök: hajtogatva tegye párnahuzatba (vászonzsákba) vagy hálós zacskóba. Külön mossa őket, és ne lépje túl a fél töltésnyi mennyiséget. használja a 6-es programot, amelyik automatikusan kikapcsolja a centrifugálást.

Toll/pehely ágyneműk és tollkabátok: ha a benne lévő liba vagy kacsatoll mosógépben mosható. Fordítsa ki a darabokat, és egyszerre legfeljebb 2-3 kg-nyit mosson úgy, hogy egyszer vagy kétszer megismétli az öblítést, és kíméletes centrifugálást használ.

Gyapjú: a legjobb eredmény elérése érdekében használjon speciális mosószert (gyapjúmosószert), és ne lépje túl az 1 kg ruhatöltetet.

! A mosógépet a nemzetközi biztonsági szabványoknak megfelelően tervezték és gyártották. Ezeket a figyelmeztetéseket biztonsági okokból írjuk le, és figyelmesen el kell olvasni őket.

Általános biztonság

- Ezt a készüléket egyfajta háztartási és nem professzionális használatra tervezték, és a funkcióit megváltoztatni nem szabad.
- A mosógépet csak felnőtt használhatja, és csak az e használati utasításban megadott utasítások szerint.
- Ne érjen a géphez mezítláb, illetve vizes vagy nedves kézzel vagy lábbal.
- A csatlakozódugót az aljzatból ne a kábelt, hanem a csatlakozót fogva húzza ki.
- Ne nyissa ki a mosószeradagoló fiókot, ha a mosógép működik.
- Ne nyúljon a leeresztett vízbe, mert forró lehet.
- Semmiképpen ne feszegesse az ajtót: megsérülhet a véletlen nyitást akadályozó biztonsági retesz.
- Hiba esetén semmiképpen se nyúljon a gép belső részeihez, és ne próbálja megjavítani.
- Mindig ügyeljen arra, hogy gyerekek ne mehessenek a működő gép közelébe.
- A mosás során az ajtó meleg lehet.
- Amennyiben a gépet át kell helyezni, két vagy három személy végezze, maximális figyelemmel. Soha sem egyedül, mert a gép nagyon súlyos.
- A mosandó berakása előtt ellenőrizze, hogy a forgódob üres legyen.

Hulladékelhelyezés

- Csomagolóanyag megsemmisítése: tartsa be a helyi előírásokat, így a csomagolás újrahasznosítható.
- Az elektromos készülékek megsemmisítéséről szóló európai direktíva 2002/96/EC előírja, hogy a régi háztartási gépeket nem szabad a normál nem szelektív hulladékgyűjtési folyamat során összegyűjteni. A régi gépeket szelektíven kell összegyűjteni, hogy optimalizálni lehessen a bennük lévő anyagok újrahasznosítását és csökkenteni lehessen az emberi egészségre és környezetre gyakorolt hatásukat. Az áthúzott "szemeteskuka" jele emlékezteti Önt arra, hogy kötelessége ezeket a termékeket szelektíven összegyűjteni.

A fogyasztóknak a helyi hatóságot vagy kereskedőt kell felkeresniük a régi háztartási gépek helyes elhelyezését illetően.

Környezetvédelem

Környezetvédelmet szolgáló technológia

Ha az ajtó üvegén keresztül kevés víz látszik, az azért van, mert az új technológiának köszönhetően az Indesit ak a felénél kevesebb víz is elég ahhoz, hogy maximális tisztítóhatást érjen el: egy olyan cél, amelyet a környezet megóvása érdekében tűztünk ki.

Takarítson meg mosószert, vizet, energiát és időt

- Annak érdekében, hogy ne pazaroljunk az erőforrásokkal, a mosógépet teljes ruhatöltettel kell használni. Egy teljes ruhatöltettel való mosás két feltöltet helyett, akár 50% energia megtakarítást is lehetővé tehet.
- Az előmosás csak nagyon szennyezett ruhák esetén szükséges. Ha nem használja, azzal mosószert, időt és 5-15% energiát takarít meg.
- Ha a foltokat a mosás előtt folttisztítóval kezeli, és beáztatja, kevesebb szükség lesz a magas hőmérsékletű mosásra. A 60°C-on történő mosás a 90°C helyett, vagy 40°C-on 60°C helyett akár 50% energiamegtakarításhoz is vezethet.
- Ha a mosószert a víz keménysége, a szennyezettség mértéke és a ruha mennyisége alapján helyesen adagolja, elkerüli a pazarlást és nem terheli feleslegesen a környezetet: még, ha biológiailag lebomló fajtájúak is, a mosószerek olyan összetevőket tartalmaznak, amelyek megváltoztatják a természet egyensúlyát. Ezen kívül, kerülje az öblítőszer használátát, amennyire csak lehet.
- Ha a késő délután és a kora hajnal közötti időszakban mos, akkor hozzájárul ahhoz, hogy csökkentse az áramszolgáltató vállalatok terhelését. A Késleltető időzítő (lásd 55. oldal) nagyon hasznos a mosás időzítése szempontjából.
- Ha a mosott ruhákat utána szárítógépben szárítja, magas fordulatszámú centrifugálást válasszon. Ha a mosott ruhában kevés a víz, időt és energiát takarít meg a szárítóprogramnál.

HU

Üzembehelyezés

Leírás

Programok

Mosószerek

Óvintézkedések

Karbantartás

Rendellenességek

Szerviz

Karbantartás és törődés

HU

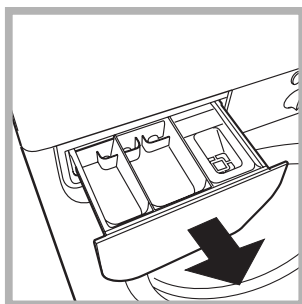
A víz elzárása és az elektromos áram kikapcsolása

- Minden mosás után zárja el a vízcsapot. Így kíméli a mosógép vízrendszerét, és megszünteti a vízszivárgás kockázatát.
- Húzza ki a hálózati csatlakozódugót az aljzatból, amikor a mosógépet tisztítja vagy karbantartást végez.

A mosógép tisztítása

A külső részeket és a gumi részeket langyos szappanos vizes ronggyal tisztíthatja. Ne használjon oldószert vagy súrolószert.

A mosószerezadagoló fiók tisztítása



Vegye ki a fiókot úgy, hogy felemeli és kifelé húzza (lásd ábra). Folyóvíz alatt mossa ki. Ezt a tisztítást gyakran el kell végezni.

Az ajtó és a forgódob gondozása

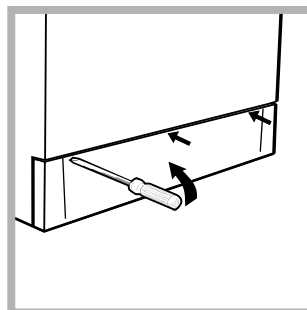
- Az ajtót hagyja mindig részre nyitva, nehogy rossz szagok keletkezzenek.

A szivattyú tisztítása

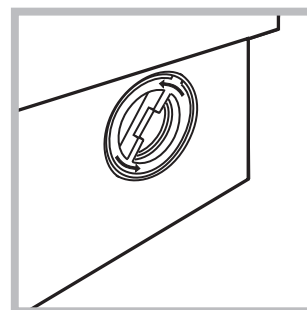
A mosógép öntisztító szivattyúval van felszerelve, melynek nincs szüksége tisztítási és karbantartási műveletekre. Az azonban megtörténhet, hogy kis tárgyak kerülnek (aprópénz, gomb) a szivattyút védő előkamrába, ami a szivattyú alsó részén található.

! Győződjön meg róla, hogy a mosóprogram véget ért, és húzza ki a hálózati csatlakozót.

Hogy hozzáférjen az előkamrához:



1. egy csavarhúzó segítségével távolítsa el a burkolópanelt a mosógép elejéről (lásd ábra);



2. az óra járásával ellentétes irányban forgatva csavarja le a fedelet (lásd ábra): természetes, hogy egy kevés víz kifolyik;

3. gondosan tisztítsa ki a belsejét;
4. csavarja vissza a fedelet;
5. szerelje vissza a panelt úgy, hogy mielőtt azt a gép felé nyomná, meggyőződik arról, hogy a horgok a hozzájuk tartozó furatokba illeszkednek.

A vízbevezető cső ellenőrzése

Évente legalább egyszer ellenőrizze a gumicsövet. Ki kell cserélni, ha repedezett vagy hasadozott: a mosás során a nagy nyomás hirtelen szakadást okozhat.

! Soha ne alkalmazzon már használt csöveket.

Rendellenességek és elhárításuk

Megtörténhet, hogy a mosógép nem működik. Mielőtt felhívna a Szervizt (lásd 60. oldal) ellenőrizze, hogy nem olyan problémáról van szó, amely a következő lista segítségével egyszerűen megoldható.


Rendellenességek:

Lehetséges okok / Megoldás:

A mosógép nem kapcsol be.

- A hálózati csatlakozódugó nincs bedugva az aljzatba, vagy nem eléggé ahhoz, hogy jól érintkezzen.
- Nincs áram a lakásban.

A mosási ciklus nem indul el.

- Az ajtó nincs jól becsukva (a kijelzőn a DOOR felirat olvasható).
- Nem nyomta meg az  billentyűt.
- Nem nyomta meg a START/RESET billentyűt.
- A vízcsap nincs nyitva.
- Az indítás késleltetése van beállítva (Késleltető időzítő, lásd 55. oldal).

A mosógép nem vesz fel vizet (A kijelzőn H₂O olvasható).

- A vízbevezető cső nincs csatlakoztatva a csaphoz.
- A cső meg van törve.
- A vízcsap nincs nyitva.
- A lakásban nincs víz.
- Nincs elegendő nyomás.
- Nem nyomta meg a START/RESET billentyűt.

A mosógép folytonosan szívja és lereszti a vizet.

- A leeresztőcső nem a padlószinttől 65 és 100 cm közötti magasságban van felszerelve (lásd 51. oldal).
- A leeresztőcső vége vízbe merül (lásd 51. oldal).
- A fali szifonnak nincs szellőzése.

Ha ezen vizsgálatok után a probléma nem oldódik meg, zárja el a vízcsapot, kapcsolja ki a mosógépet és hívja ki a szervizszolgálatot. Ha a lakás egy épület legfelsőbb emeleteinek egyikén található, lehetséges, hogy a csatorna-szellőző eltömődésének jelensége (szivornyahatás) lépett fel, ezért a mosógép folytonosan szívja és lereszti a vizet. Ezen kellemetlenség elkerülésére a kereskedelmi forgalomban rendelkezésre állnak csatorna-szellőző szelepek.

A mosógép nem ereszti le a vizet, vagy nem centrifugál.

- A program nem ereszti le a vizet: némelyik programnál manuálisan kell elindítani (lásd 54. oldal).
- Be van kapcsolva a Vasalj kevesebbet opció: a program befejezéséhez nyomja meg a START/RESET billentyűt (lásd 55. oldal).
- A leeresztőcső meg van törve (lásd 51. oldal).
- A lefolyó el van dugulva.

A mosógép nagyon rázkódik a centrifugálás alatt.

- Az üzembehelyezéskor nem távolították el a forgódob rögzítését (lásd 50. oldal).
- A mosógép nem áll vízszintben (lásd 50. oldal).
- A mosógép a bútor és a fal kötve van szorítva (lásd 50. oldal).

A mosógépből elfolyik a víz.

- A vízbevezető cső nincs jól felcsavarva (lásd 50. oldal).
- A mosószeradagoló fiók eltömődött (a tisztítást lásd a 58. oldalon).
- A leeresztőcső nincs jól rögzítve (lásd 51. oldal).

Sok hab képződik.

- A mosószer nem mosógépekhez való (kell, hogy szerepeljen rajta, hogy „gépi”, „kézi vagy gépi mosáshoz”, vagy hasonló).
- Túl sok mosószert használt.

HU

Üzembehelyezés

Leírás

Programok

Mosószer

Övintézkedések

Karbantartás

Rendellenességek

Szerviz

Mielőtt a Szervizhez fordulna:

- Győződjön meg arról, hogy a hibát nem tudja maga is elhárítani (*lásd 59. oldal*);
- Újból indítsa el a programot, hogy lássa, elhárította-e a hibát;
- Ellenkező esetben forduljon a megbízott Szakszervizhez: a telefonszámot a garanciajegyen találja.

! Soha ne forduljon nem megbízott szerelőhöz.

Közölje:

- a meghibásodás jellegét;
- a mosógép modelljét (Mod.);
- a gyártási számot (Sorsz.).

Ezen információk a mosógép hátsó részére felerősített táblán találhatóak.