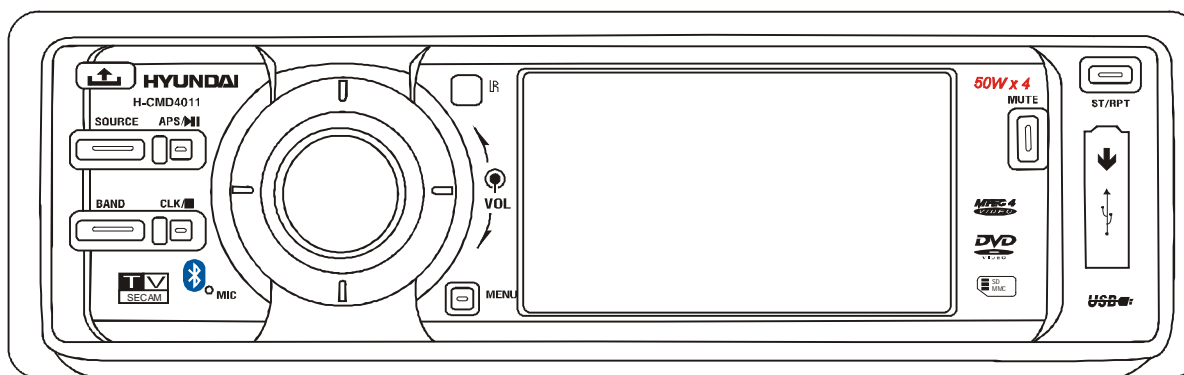


HYUNDAI

H-CMD4011



MULTIMEDIA DVD/CD/MP3 RECEIVER WITH BUILT-IN 3" TFT DISPLAY AND TV TUNER

МУЛЬТИМЕДИЙНЫЙ DVD/CD/MP3 РЕСИВЕР СО ВСТРОЕННЫМ 3" TFT ДИСПЛЕЕМ И ТВ-ТЮНЕРОМ

Instruction manual

Руководство по эксплуатации

Dear customer!

Thank you for purchasing our product. For safety, it is strongly recommended to read this manual carefully before connecting, operating and/or adjusting the product and keep the manual for reference in the future.

Table of contents

Table of contents.....	2
Important safeguards.....	3
Accessories.....	4
Installation/Connections	5
Panel controls	9
General operations	11
Radio operations	12
DVD/CD operations	14
TV tuner	20
Operating with System Menu.....	21
MP3 overview	22
System setup menu	24
Bluetooth operation	26
Back view camera.....	28
Anti-theft system	29
Handling compact discs	29
Cleaning	29
Troubleshooting guide	30
Specification.....	31

Important safeguards

- Read carefully through this manual to familiarize yourself with this high-quality sound system.
- Disconnect the vehicle's negative battery terminal while mounting and connecting the unit.
- When replacing the fuse, be sure to use one with an identical amperage rating. Using a fuse with a higher amperage rating may cause serious damage to the unit.
- Do not attempt to disassemble the unit. Laser beams from the optical pickup are dangerous to the eyes.
- Make sure that pins or other foreign objects do not get inside the unit; they may cause malfunctions, or create safety hazards such as electrical shock or laser beam exposure.
- Do not use the unit in places where it can be exposed to water, moisture and dust.
- If you have parked the car for a long time in hot or cold weather, wait until the temperature in the car becomes normal before operating the unit.
- Do not open covers and do not repair yourself. Consult the dealer or an experienced technician for help.
- Make sure you disconnect the power supply and aerial if you will not be using the system for a long period or during a thunderstorm.
- Make sure you disconnect the power supply if the system appears to be working incorrectly, is making an unusual sound, has a strange smell, has smoke emitting from it or liquids have got inside it. Have a qualified technician check the system.
- The unit is designed for negative terminal of the battery, which is connected to the vehicle metal. Please confirm it before installation.
- Do not allow the speaker wires to be shorted together when the unit is switched on. Otherwise it may overload or burn out the power amplifier.
- Do not install the detachable panel before connecting the wire.

Accessories

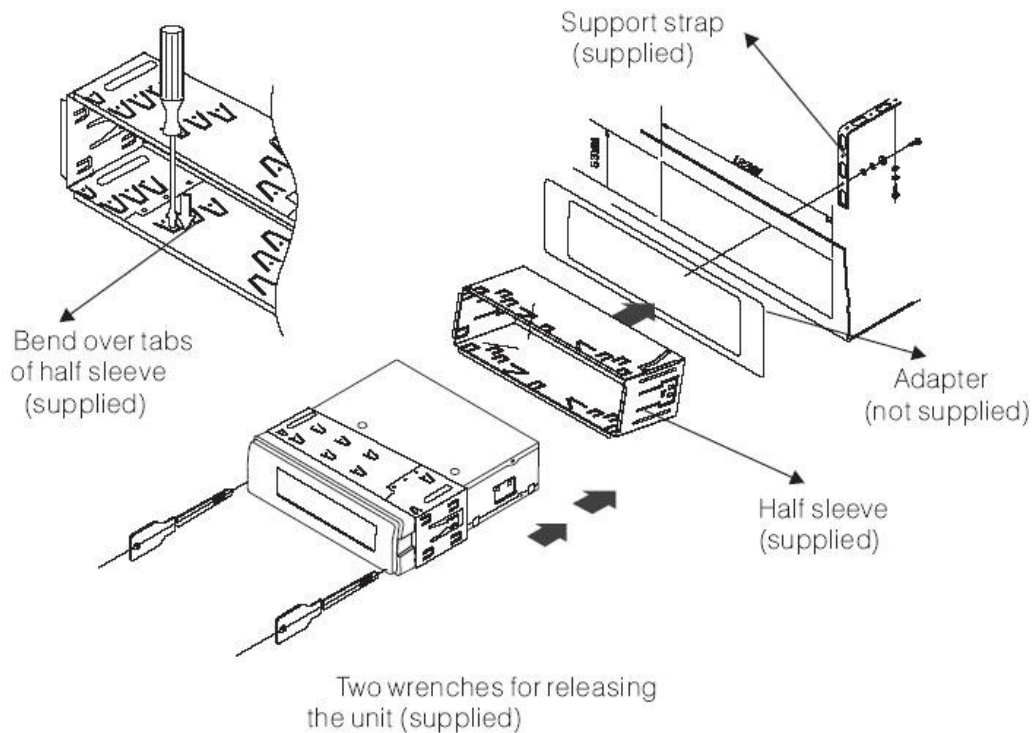
Key	
Screw	2 pcs (To stable the deck)
Mounting collar (Metal sleeve)	1 pc
Wire connector	2 pcs (ISO and RCA)
Front panel pouch	1 pc
Trim plate (plastic frame)	1 pc
Customer information	1 pc
Warranty card	1 pc
Instruction manual	1 pc

Installation/Connections

First complete the electrical connections, and then check them for correctness.

Installation

It is an anti-theft installation way. The chassis wear a metal sliding housing. Please have the wiring connection of the power supply, speakers and antenna as for the requirement of the manual, and then install the metal sliding housing into the car according to the diagram.



Attaching the control panel

1. Insert the left side of the control panel into the shaft of the main unit.
2. Push the panel to the left and insert the right side of it.
3. Press the right side of the panel until a “click” sound is heard.

Detaching the front panel

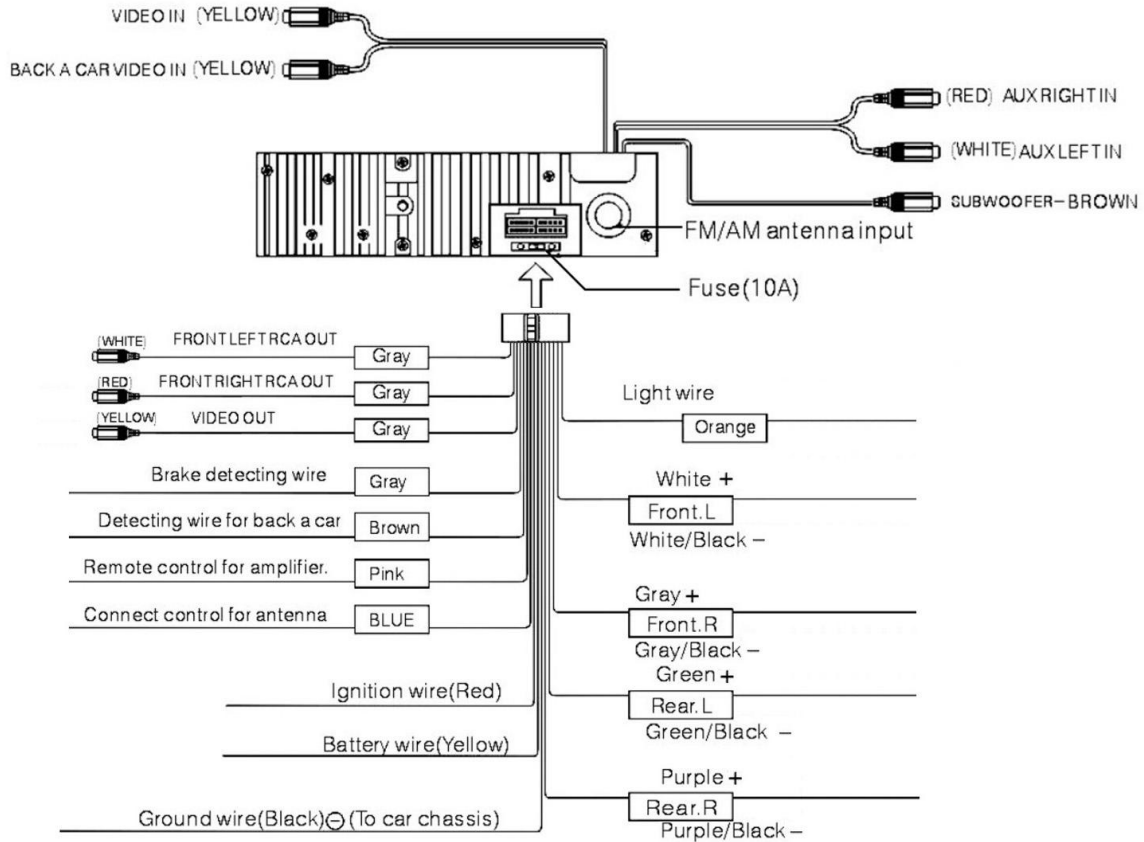
1. Press the OPEN button on the front panel.
2. Hold and slide the panel to the left and pull it towards you.

Caution: The control panel can easily be damaged by shocks. After removing it, place it in a protective case and be careful not to drop it or subject it to strong shocks.

The rear connector that connects the main unit and the control panel is an extremely important part. Be careful not to damage it by pressing on it with fingernails, pens, screwdrivers, etc.

Note: If the control panel is dirty, wipe off the dirt with soft, dry cloth only. And use a cotton swab soaked in isopropyl alcohol to clean the socket on the back of the control panel.

Connection diagram



Notes:

- In spite of having any kinds of speaker system, use 4 ohms impedance of speaker to reduce the distortion during high volume level.
- Prohibit making the conductors of auto antenna and ground touch with each other.

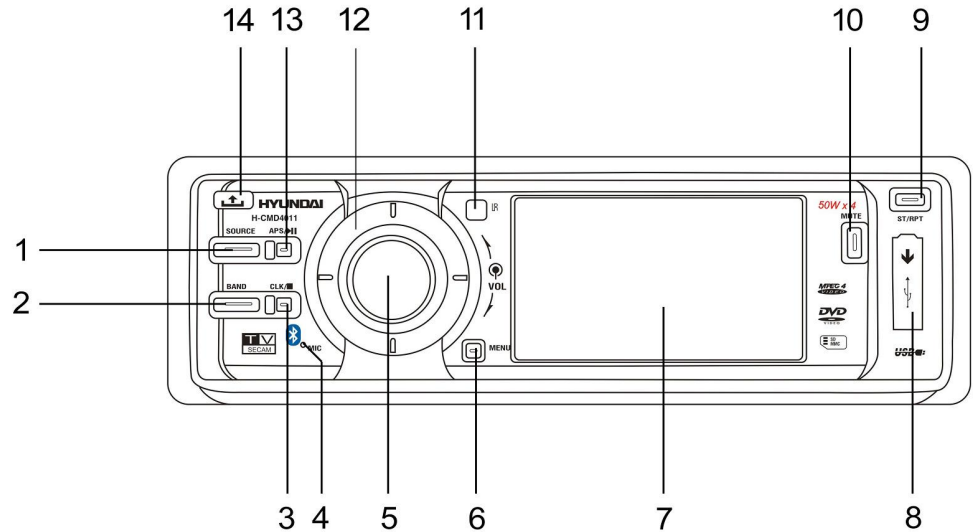
- For your driving safety, please link your brake detecting wire with low power level, and keep it controlled by manual brake switch. Wire should be high power level and the unit cannot play DVD or VCD disc. And this caution displays on the screen.



Panel controls

Front panel

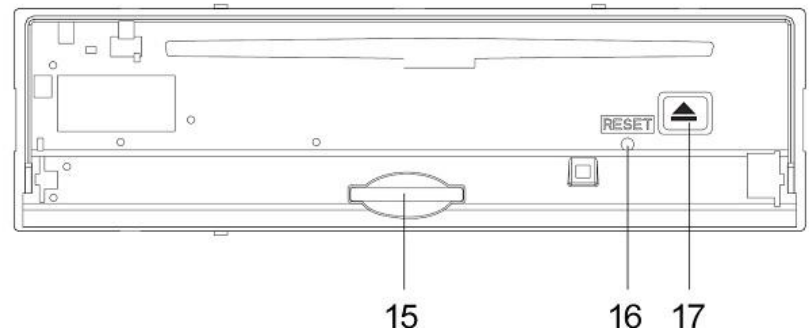
1. SOURCE button
2. BAND button
3. CLK/STOP button
4. Microphone
5. VOL/ENTER knob
6. MENU button
7. Display
8. USB jack
9. ST/RPT button
10. MUTE button
11. IR sensor
12. Cursor buttons
13. APS/PLAY/PAUSE button
14. OPEN button



Inner panel

15. SD-slot
16. RESET button
17. EJECT button

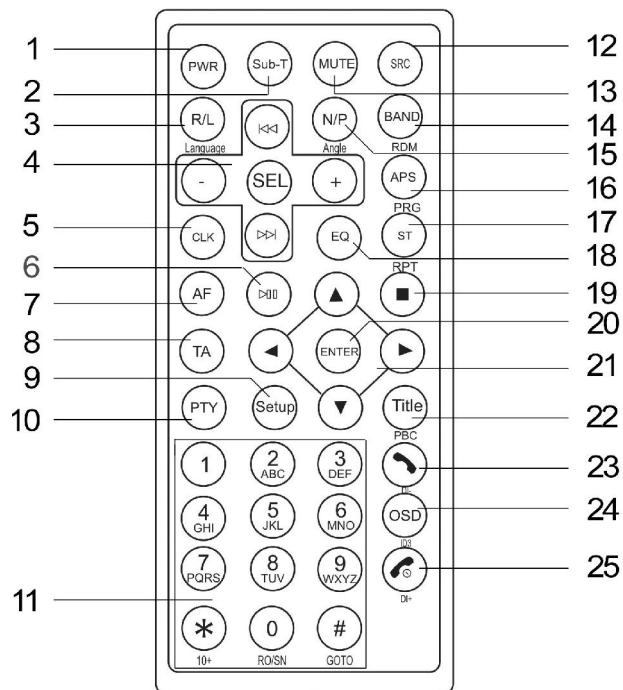
The front panel of this unit can be detached to show the inner panel with disk slot. Press OPEN button to open the inner panel. To unload the disk press EJECT button



To set the unit to the initial settings press RESET button.

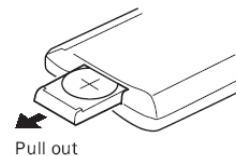
Remote control

1. PWR button
2. SUB-T button
3. R/L/LANGUAGE button
4. VOL-/VOL+/PREV/NEXT/SEL buttons
5. CLK button
6. PLAY/PAUSE button
7. AF button (option)
8. TA button (option)
9. SETUP button
10. PTY button (option)
11. Number buttons, GOTO button
12. SRC button
13. MUTE button
14. BAND/RDM button
15. N/P/ANGLE button
16. APS/PRG button
17. ST/RPT button
18. EQ button
19. STOP button
20. ENTER button
21. RIGHT/LEFT/UP/DOWN cursor buttons/ENTER button
22. TITLE/PBC button
23. ANSWER/DI- button (option)
24. OSD/ID3 button
25. HANG UP/DI+ button (option)



Loading and replacing the battery

- Use one lithium battery (CR2025).
- Insert the battery with + and – poles aligned properly.



General operations

Reset the unit

Operating the unit for the first time or after replacing the car battery, you must reset the unit. Press OPEN button, then press the RESET button with some sharp object to restore the unit to the original factory settings.

Power button

Press SOURCE button on the front panel or PWR button on the RC to switch the unit on. Press and hold SOURCE button on the front panel or press PWR button on the RC to switch the unit off.

Volume control

Rotate VOL knob clockwise to increase the volume level; rotate anticlockwise to decrease the volume level. Or press VOL+ or VOL- buttons on the RC.

Mode selection

Press the SOURCE button to select the mode: RADIO => DISC => SD => USB => BACK VIEW => INPUT => TV => BLUETOOTH. Touch the certain icon or use cursor buttons to select the exact mode needed.



Mute function

Press MUTE button to turn off the sound. Press again to resume.

Equalizer setting

Press EQ button on the RC repeatedly to select EQ mode: NORM => ROCK => POP => CLAS => or enter the EQ mode through the Menu setting (Audio settings), press MENU button on the panel.

Clock display

Use Menu settings (System Mode) to show the clock indication on the display or enter clock adjustment. With LEFT/RIGHT cursor buttons adjust hours/minutes, touch time adjusting line once to choose hours or minutes. Press CLK/STOP to show the current time.

Radio operations

BAND selection

Press BAND button on the panel or on the RC repeatedly to select your desired radio band during RADIO mode: FM1, FM2, FM3, AM1, AM2.

Auto/Manual tuning

- Press and hold LEFT/RIGHT buttons on the panel or PREV/NEXT buttons on the RC to choose either manual or auto search.
- In auto tuning mode: press NEXT/PREV buttons on the RC or LEFT/RIGHT cursor buttons on the panel, the unit will search stations automatically.
- In manual tuning mode: press NEXT/PREV buttons on the RC or LEFT/RIGHT cursor buttons on the panel repeatedly to find the needed station.
- Use UP/DOWN cursor buttons on the panel to select the station that has already been stored.

Auto memory store

Select a band. Press APS/PLAY/PAUSE button on the panel or APS button on the RC and hold for 2 seconds to enter auto store mode. The radio will automatically store 6 stations to the 6 preset memories of the current band. To stop auto store, press APS/PLAY/PAUSE button again.

Preset scan

Select a band. Press APS button on the RC or APS/PLAY/PAUSE button on the panel to scan all preset stations in the memories of the current band and stay on each memory stations for about 4 seconds. To stop preset scan, press APS button on the RC or APS/PLAY/PAUSE button on the panel again.

Programming tuner stations

You can store up to a total of 30 radio stations in the memory (18 FM, 12 AM), manually or automatically.

To store a station:

- Select a band (if needed).

- Select a station by LEFT/RIGHT cursor buttons on the unit or PREV/NEXT buttons on the RC.
- Hold UP/DOWN cursor buttons to store a station.

To recall a station:

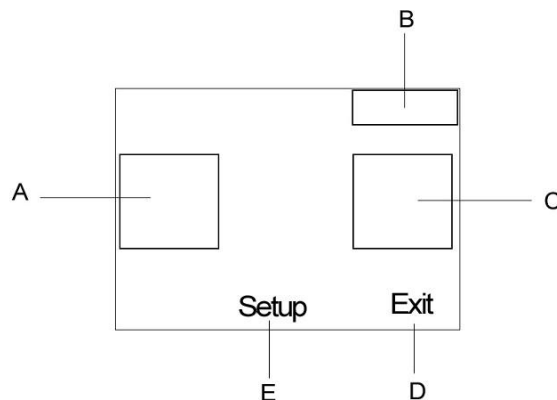
- Select a band (if needed).
- Press UP/DOWN cursor buttons to recall the stored station.

Mono/Stereo selection

Press the ST/RPT button on the RC or on the unit to select ST OFF (Mono) or ST ON (Stereo) mode.

Touch-screen operation

- Press A and C sectors of the screen to perform manual or auto searching (the same functions as LEFT/RIGHT buttons on the panel or PREVIOUS/NEXT buttons on the RC).
- Press B sector to show clock.
- Press E sector enter to enter System menu (more details regarding this menu you can find in “Operating with System Menu” item).
- Press D sector of the screen to exit radio mode and enter Source menu.



DVD/CD operations

Disc glossary

PBC (PlayBack Control)

PBC is a menu recorded on the disc with SVCD or VCD2.0 format. For the discs contained PBC, it can playback interactive software with the menu displayed on TV. And if the disc contains still images, it can playback high definition of still image.

Title

The title is the important part of DVD disc. The memory volume of the disc is rather big, that makes possible to record several films on one disc. For example, if a disc contains three films, they may be divided into Title 1, Title 2 and Title 3. You can easy use the functions of looking-for.

Chapter

A title can be divided into several blocks, so that every block can be operated as a unit, the unit is called chapter. The chapter contains a unit at least.

Track

It is the biggest component of VCD. Generally, every song of karaoke disc is a track.

Discs for playback

- This unit can play disc types: CD/DVD/DVD±R/±RW/CD-R/-RW.
- Compatible with formats: DVD/SVCD/VCD/HDCD/MP3/MP4/WMA/CDDA/Picture-CD/JPEG.
- The following file types are supported:

Audio files: MP3 (*.mp3)

WMA (*.wma)

Video files: MPEG 2(*.vob)

MPEG 1(*.dat)

Picture file: JPEG (*.jpg)

- ISO 9660 or ISO 9660 +Joliet format - Max. 30 characters
- Supported sampling frequency for MP3 disc: 8 KHz – 48 KHz (44.1 KHz preferably)
- Supported bit-rates of MP3 disc are: 32 - 320 kbps (128 kbps preferably).

- Following formats are NOT supported *.ACC, *.DLF, *.M3U, *.PLS, MP3 PRO, files with DRM.
- Open session discs are NOT supported.

Touch screen function

Some functions can be operated with touch screen. To call the touch menu touch the screen once.

R/L: Press R/L button on the screen to switch between mono L mono R or stereo.

RPT: Press this button to choose the repeat mode.

TIT (Title): In play mode, press this icon to return to the title menu, and re-select the items.

ESC: In play mode, press this button to exit the playing.



Loading/eject a disc

- Press OPEN button on the front panel to discover the inner panel. Insert the disc with the printed side facing upward into the slot, it will start playing automatically. Close the front panel.
- To stop the playback press STOP button.
- Open the front panel. Press EJECT button to eject the disc.

Playing/pausing playback

- When the disc is in, the playback will start automatically. Or you can press PLAY/PAUSE on the RC or APS/PLAY/PAUSE button on the unit to start playback.
- To ensure good system performance, wait until the unit finishes reading the disc information before proceeding.
- Press PLAY/PAUSE button to pause the playback. Press again to resume the playback.

Stop playback

During MP3/MPEG-4/USB mode, press STOP button to stop the playback. Press it again to resume the playback.

During VCD/CD mode, press STOP button to pause playing, press PLAY/PAUSE to play, and press STOP button twice to stop playing completely. To start playing, press PLAY/PAUSE button.

Using the number buttons

Press the numbered buttons on the RC to insert the track/chapter number. Select a track by using Number buttons 0~9. The selected track will be played automatically.

Playing the previous/next track

During playback, press NEXT to replay the next track, press PREV to the previous track. Press and hold PREV/NEXT buttons to rewind forward or backward.

Repeat playback

Press ST/RPT button to repeat during:

- DVD playback REP CHAPTER => REP TITLE => REP ALL => REP OFF.
- MP3 mode: REP ONE => REP DIR => REP ALL => REP OFF.
- VCD/CD mode: REP ONE => REP ALL => REP OFF.

Random playback

Press BAND/RDM button on the RC or BAND button on the unit to start random playback of the tracks. Press again to cancel.

Selecting the sound/language

Press R/L/LANGUAGE button on the RC during:

- DVD mode to choose the audio language.
- VCD mode to choose sound mode: MONO L, MONO R, STEREO.

Video system

Press N/P/ANGLE button to choose video system: NTSC => PAL => AUTO.

Selecting subtitle language (for DVD only)

If DVD disc supports multi-subtitle playback, press SUB-T button on the RC repeatedly to switch among languages.

OSD (OnScreen Display) function

Press OSD button on the RC repeatedly to show the current track/chapter, current time on the display.

Title playing (for DVD only)

- During DVD mode, press TITLE/PBC button on the RC to activate the disc title list on the screen.
- Press UP/DOWN/LEFT/RIGHT cursor buttons and Number buttons on the RC to select the desired title.

PBC (Playback Control) function (for VCD only)

If you insert a VCD with PBC, playback starts from the beginning of the 1st track automatically.

1. Press PBC button on the RC to activate PBC menu on the screen during playback.
2. If the menu consists a list of titles, you can select a desired one using the number buttons on the RC or digit buttons.
3. The VCD starts playing the selected title automatically or press ENTER button to confirm the selected track for playback.
4. When track is playing you can press STOP button to return to the menu.
5. Press PBC again to exit the menu.

GOTO function

1. During the DVD/VCD/CD playback press GOTO button on the RC to enter the menu.
2. Press LEFT/RIGHT buttons to select the desired item: Title => Chapter => Audio (depends on the disc type).
3. Then press number buttons to input the desired track/chapter number.
4. Press ENTER to confirm the operation.

Program playing (for VCD/CD only)

During playback press APS/PRG button on the RC to open the program menu. Press the Number buttons to select the track number and then press UP/DOWN/LEFT/RIGHT cursor buttons to move the cursor to PLAY. Choose PLAY to confirm. The selected track will be played. To cancel the programming choose CLEAR.

Audio/Video/Picture file operations

Insert the CD with mixed files (.mp3, .jpeg, .wma, mpeg4 files), press STOP button. Category/ Folder/ File list will be displayed on the screen, and file/folder name being played will be displayed on top. Current selected item will be highlighted.

Category Select

1. Use LEFT/RIGHT cursor to select the category:



2. Press ENTER to confirm.

File select

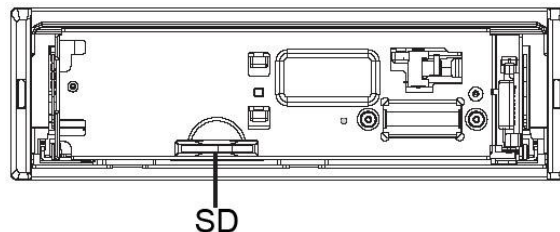
1. Use UP/DOWN/LEFT/RIGHT cursor buttons to select desired file.
2. Press ENTER to playback.
3. Press STOP button to stop playback and return to the list.

Inserting the USB device

Insert the USB device into USB jack. Press SOURCE button on the RC to go into USB mode. The first USB device track playback will start.

Note: USB functions (flash memory type) MP3 music play

- FAT 12/FAT 16/FAT 32 is possible
 - FAT 12/16 (dir: 200 support, file: 500 support),
 - FAT 32 (dir: 200 support, file: 500 support).
- Filename: 32 byte/ Dir name: 32byte.
- Tag (id3tag English)
 - Title/Artist/Album: 32 byte support.



- USB format supports 2.0. Capacity: up to 2 GB.

SD/MMC mode

Remove the front panel. Insert the card into the SD slot. Attach panel. Press SOURCE button to choose SD mode.

SD cards brands: Canon, Fuji film, Palm, Motorola, Microsoft, IBM, HP, Compaq, Sharp, Samsung, etc. Capacity: up to 2 GB.

MMC cards brands: Ericsson, Nokia, Motorola, HP, Palm, Sanyo, Microsystems, etc. Capacity: up to 2 GB.

TV tuner

To receive TV broadcasts, install the TV antenna.

For receiving TV broadcasts, stop your car where there is no obstacle to broadcast.

Channel Search

Press SOURCE button and press cursor buttons, then ENTER button (or touch the TV mode icon) to choose TV mode. Touch the screen once at any place, the menu will appear, choose AMS, the unit will scan and store TV programs automatically.



TV Scanning

Press APS/PLAY/PAUSE button on the unit or APS/PRG button on the RC to search and store TV station automatically.

Channel selection

Press NEXT/PREVIOUS button on the RC or screen menu or LEFT/RIGHT button on the unit to choose the channel you need.

If you want to choose the channel directly using digit buttons, press 0-9 buttons on the RC.

For example if you want to select the fourth channel, press 0 and then 4.

To select 14 channel, press 10+ once and then 4.

Operating with System Menu

To enter the System Setting Menu press MENU button (or press top right corner of the screen in Radio mode). You will enter Menu pages for Video Mode, Audio Mode and System Mode using UP/DOWN/LEFT/RIGHT cursor buttons or touching the needed items

Video Mode

You may adjust the settings: BRIGHT, COLOR, CONTRAST, TINT, V.MODE (STAN => USER =>SOFT => BRIG).

VIDEO	AUDIO	SYSTEM
BRIGHT		13
CO		14
CONTRAST		14
TINT		15
VMODE		STAN

- + ESC

Audio Mode

You may adjust the settings: BASS, TREBLE, BALANCE, FADER, EQ (NORM => ROCK => JUZZ => CLAS => POP).

Video	Audio	System
BASS		0
TREBLE		
BALANCE		0
FADER		0
EQ		NORM

- + ESC

System Mode

You may adjust the settings: LOUD, BEEP, TOPIC, TIME DISP, TIME ADJ.

Video	Audio	System
LOUD		OFF
BEEP		ON
TOPIC		GREEN
TIME DISP		OFF
TIME ADJ		00:00

- + ESC

MP3 overview

Notes on MP3

- MP3 is short for MPEG Audio Layer 3 and refers to an audio compression technology standard.
- This product allows playback of MP3 files on CD-ROM, CD-R or CD-RW discs.
- The unit can read MP3 files written in the format compliant with ISO 9660. However it does not support the MP3 data written by the method of packet write.
- The unit can not read an MP3 file that has a file extension other than “.mp3”.
- If you play a non- MP3 file that has the “.mp3” extension, you may hear some noise.
- In this manual, we refer to what are called “MP3 file” and “folder” in PC terminology as “track” and “album”, respectively.
- Maximum number of directory level is 8, including the root directory. Maximum number of files and folders per disc is 256.
- The unit may not play tracks in the order of Track numbers.
- The unit plays only the audio tracks if a disc contains both audio tracks and MP3 files.
- When playing a disc of 8 kbps or “VBR”, the elapsed playing time in the display window will not be correct and also the intro play may not function properly. “VBR”: Variable Bit Rate.

Notes on creating your own CD-Rs or CD-RWs containing MP3 files

- To enjoy high quality sound, we recommend converting to MP3 files with a sampling frequency of 44.1 kHz and a fixed bit rate of 128 kbps.
- DO NOT store more than 256 MP3 files per disc.
- For ISO 9660 - compliant format, the maximum allowable depth of nested folders is 8, including the root directory (folder).
- When CD-R disc is used, playback is possible only for discs, which have been finalized.
- Make sure that when MP3 CD-R or CD-RW is burned that it is formatted as a data disc and NOT as an audio disc.
- You should not write non-MP3 files or unneeded folders along with MP3 files on the disc otherwise it takes a long time until the unit starts to play MP3 files.

- With some CD-R or CD-RW media, data may not be properly written depending on their manufacturing quality. In this case, data may not be reproduced correctly. High quality CD-R or CD-RW disc is recommended.
- Up to 16 characters are displayed for the name of an Album or a Track. ID3TAG version 1.x is required.
- Note that the unit may not play Tracks in the order that you wrote them to the disc.

System setup menu

1. Press the SETUP button on the RC to display the system setup menu.
2. Use LEFT/RIGHT cursor buttons on RC to select the desired menu: System setup, Language setup, Video setup.
3. Press ENTER to enter it.
4. Use the UP/DOWN cursor buttons to select the needed setting.
5. Press RIGHT to enter the setting adjustment subwindow.
6. Press the UP/DOWN cursor buttons to select the option of the setting and press ENTER to confirm it.

System setup

- **TV system**

This unit is suitable for all kinds of TV systems. You can select:

Auto: the TV system is auto switched according to the disc system.

NTSC: this system is used in USA, Taiwan, Japan etc.

PAL: this system is used in China, Europe, Hong Kong etc.

- **Screen saver**

When the function is ON if the unit hasn't been used for several minutes the screensaver will appear on the screen.

- **TV type**

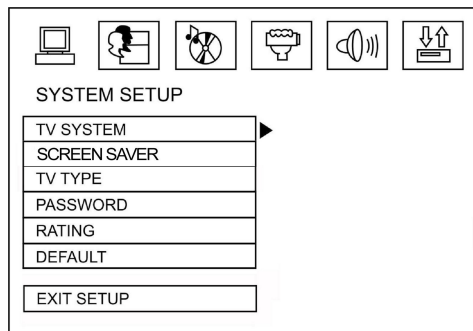
4:3 PS: When the unit connects to the normal TV set, the wide-screen image shows on the full screen, but some part is cut off.

4:3 LB: When the unit connects to the normal TV set, the wide-screen image shows and black bars appear on the top and bottom of screen.

16:9: Use this item when the unit is connected with the wide screen TV set.

- **Password**

Here you can change the password. Insert your old password or 0000 (the general one). Insert the new password. Insert it again. Press OK button to save the new password.



- **Rating**

The rating level is for parents to control playing content and protect your children from violence and erotic. The disc, the level of which is higher than the setting level cannot be played. To change the parental control level you should enter the password (your or the general one: 0000).

- **Default**

Reset to the initial factory setups.

Language setup

- **OSD language**

Select the OSD language.

- **Audio language**

Select the audio language (if DVD disc supports several audio languages).

- **Subtitle language**

Select the subtitle language (if DVD disc supports several subtitle languages).

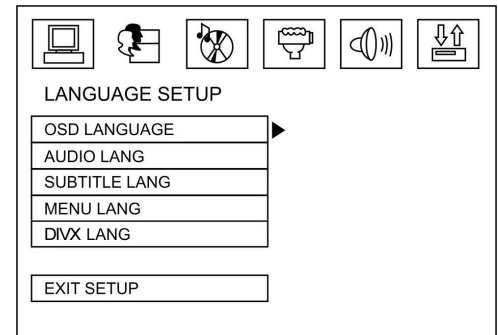
- **Menu language**

Select the DISC menu language (if DVD disc supports several menu languages).

- **DIVX language**

Select DIVX language (if DivX disc supports several languages).

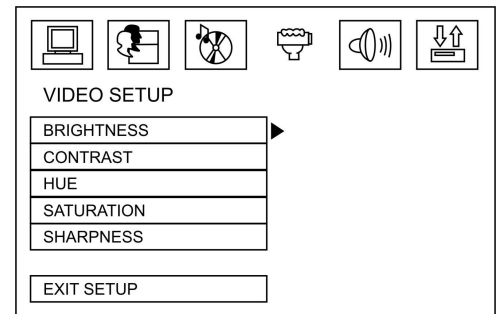
Note: The unit supports DivX disc of formats: 4.0, 5.0, 6.0.



Video setup

- **Brightness, Contrast, Hue, Saturation, Sharpness**

You can set the Brightness, Contrast, Hue, Saturation, Sharpness according to your preference.



Bluetooth operation

Through Bluetooth function, the DVD unit establishes connection with Bluetooth handset. And then, these units can realize mutually control.

Note: Some models of mobile phones are not supported by the Bluetooth module of this unit.

Bluetooth mode

Press the SRC button to go to main menu mode. In the main menu choose the Bluetooth icon to enter the Bluetooth mode.



Pairing

- Press SETUP screen button to access pairing mode.
- During pairing, please activate your mobile phone and input pairing code “0000” and confirm in your mobile phone. The unit will be identified by the mobile phone as “H-CMD4011”.
- If pairing success, the Bluetooth module will connect to mobile phone that has paired.

If connecting success, “Connected” will be visible on the LCD display. Press EXIT screen button to enter dialing interface.



Dial call

Dial with the numeric button on the screen.

- Press the "0~9" buttons to input telephone number. Simultaneously, the input number will appear on the display. If a number is wrongly entered, press Green Arrow screen button to delete the incorrect number.
- Press ANSWER screen button to execute dialing.

Dial the last number

- Press ANSWER screen button to find out the last dialing number.
- Press ANSWER screen button to execute dialing.



Accept/Reject/End call

Accept call: When a call comes, press ANSWER screen button to switch on the calling.

Reject call: When a call comes, press HANG UP screen button to reject the coming call.

End call: When you are talking, press HANG UP screen button to hang up the current call.

Call Transfer

During talking status, you can transfer talking to private listening on your phone from your car audio by pressing TRANSFER screen button; pressing TRANSFER screen button again to get back to car audio.

Back view camera

This unit is equipped with back view camera output. The camera is used to observe the situation behind the vehicle when you are backing the car.

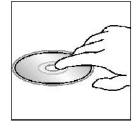
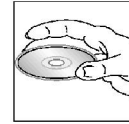
Please connect your back view camera with the back car video input. And connect the detecting wire for back a car with the rear gear light. This function is activated when you are backing a car and the screen shows the situation behind the car.

Anti-theft system

This unit is equipped with a slide-down detachable and mask panel. Panel can be detached and taken with you, helping to deter theft.

Handling compact discs

- Dirty, scratched or warped discs may cause skip ping or noise.
- Handle the disc only by the edges. To keep clean do not touch its surface.
- Discs should be stored in their cases after use to avoid scratches.
- Do not expose discs to direct sunlight, high humidity, high temperature or dust.
- Prolonged exposure to extreme temperature can warp the disc (such as leaving the discs in your car during summertime).
- Do not stick or write anything on either side of disc. Sharp writing instruments, or the inks used in some felt-tip pens, may damage its surface.
- Do not touch the unlabeled side. Do not attach any seal, label or data protection sheet to either side of a disc.
- This unit cannot play 3-inch (8cm) CDs.
- Never insert a 3-inch CD contained in the adapter or an irregularly shaped CD. The unit may not be able to eject it, resulting in a malfunction.



Cleaning

Cleaning the cabinet

Wipe with a soft cloth. If the cabinet is very dampen (not dropping wet) the cloth with a weak solution of soapy water, and then wipe clean.



Cleaning discs

Fingerprints should be carefully wiped from the surface of disc with a soft cloth. Unlike conventional records, compact discs have no grooves to collect dust and macroscopic dirt, so gently wiping them with a soft cloth should remove most particles. Wipe in a straight motion from the center to the edge. Never use thinner benzine, record cleaner or anti static spray on a compact disc. Such chemicals can damage its plastic surface.

Troubleshooting guide

Symptom	Cause	Solution
No power	The car ignition is not on. The fuse is blown.	If the power supply is properly connected to the car accessory switch the ignition key to "ACC". Replace the fuse.
Disc cannot be loaded.	Presence of CD disc inside the player.	Remove the disc in the player then put a new upward.
Disc cannot be read.	Inserting the disc in upside down. Compact disc is extremely dirty or defective. Temperature inside the car is too high.	Insert the compact disc with the label facing upward. Clean the disc or try to play a new one. Cool off until the ambient temperature returns to normal.
No sound	Volume is in minimum. Wiring is not properly connected.	Adjust volume to a desired level. Check wiring connection.
The buttons do not work.	The built-in microcomputer is not operating properly due to noise. Front panel is not properly fix into its place.	Press the RESET button. Reinstall the front panel.
Sound skips.	The installation angle is more than 30 degrees. The disc is extremely dirty or defective.	Adjust the installation angle to less than 30 degrees. Clean the compact disc/try to play a new one.
The radio does not work. The radio station automatic selection does not work.	The antenna cable is not connected. Signals are too weak.	Insert the antenna cable firmly. Select a station manually.

Specification

General	
Power supply	12 V DC
Current consumption	max. 10 A
Maximum power output	50 Wx4 channels
Fuse	10 A
Dimensions (L x W x H)	187 x 50 x 170 mm
Supported storages	DVD/DVD±R/DVD±RW/CD/CD-R/CD-RW/USB/SD/MMC
Supported formats	DVD/SVCD/VCD/HDCD/MP3/WMA/CDDA/Picture-CD/JPEG/ MPEG 4
FM stereo radio	
Frequency range	87.5 - 108.0 MHz
Usable sensitivity	4 µV
Storable stations	18
Display	
Display	Built-in 3" TFT
Aspect ratio	16:9
Video system	PAL/SECAM/NTSC
Resolution	480 x 234
Brightness	350 cd/m ²
Contrast	300:1
View angle	V: 110 ⁰ , H: 120 ⁰
AM Section	
Frequency range	522 kHz – 1620 kHz
Storable stations	12
Disc player	
Frequency response	20 Hz – 20 KHz
Signal to noise CD	87 dB

ESP	For audio CD: 40 sec/for MP3: 120 sec
Line out	2 channel RCA (2V)

Specifications are subject to change without notice. Dimensions are approximate.

Уважаемый покупатель!

Благодарим Вас за покупку нашего изделия. Для обеспечения безопасности рекомендуется тщательно изучить настоящее руководство перед подключением, эксплуатацией и/или регулировкой изделия, и сохраняйте руководство для использования в будущем.

Содержание

Содержание.....	33
Меры предосторожности.....	34
Аксессуары.....	35
Установка/подключение	36
Элементы управления.....	40
Основные функции	42
Операции с радио.....	44
Операции с DVD/CD дисками.....	46
ТВ тюнер.....	52
Работа с системным меню.....	53
Обзор MP3.....	54
Настройка системы	56
Функция Bluetooth	58
Камера заднего вида	60
Система против кражи.....	60
Обращение с компакт-дисками	60
Чистка и уход	61
Руководство по устранению неисправностей.....	62
Технические характеристики	63

Меры предосторожности

- Тщательно изучите настоящую инструкцию, чтобы ознакомиться с высококачественной аудиосистемой.
- При установке и подключении изделия отключите отрицательную клемму аккумулятора автомобиля.
- При замене предохранителя, убедитесь, что вы устанавливаете предохранитель с тем же номиналом. Используя предохранитель с повышенным значением тока, можно причинить значительные повреждения изделию.
- Не пытайтесь разбирать изделие. Лазерные лучи, исходящие из блока оптической головки считывания информации с компакт-диска, опасны для глаз.
- Убедитесь, что шпильки или другие посторонние предметы не попали внутрь изделия. Они могут вызвать сбой в работе или стать причиной опасности, такой как поражение электрическим током или лазерным лучом.
- Не используйте устройство в местах, где оно может подвергнуться воздействию воды, влаги и пыли.
- Если вы ставите автомобиль на стоянку на длительное время в жаркое или холодное время года, подождите пока температура в автомобиле не станет нормальной, перед тем как включать изделие.
- Не открывайте крышки и не проводите ремонт самостоятельно. Обратитесь к дилеру или квалифицированному персоналу.
- Убедитесь, вы отключаете источник питания и антенну, если вы не будете пользоваться системой в течение длительного времени или во время грозы.
- Убедитесь, что вы отключаете источник питания, если обнаружена неправильная работа системы, система издает необычные звуки, запах, выделяет дым или внутрь ее попала жидкость. Проведите квалифицированный технический осмотр системы.
- Прибор разработан так, чтобы отрицательный вывод аккумулятора был подключен к корпусу транспортного средства. Пожалуйста, убедитесь в этом перед установкой.
- Не позволяйте проводам динамиков касаться друг друга при включении прибора. В противном случае, может быть перегружен или выйти из строя усилитель питания.
- Не устанавливайте съемную панель перед подключением кабеля.

Аксессуары

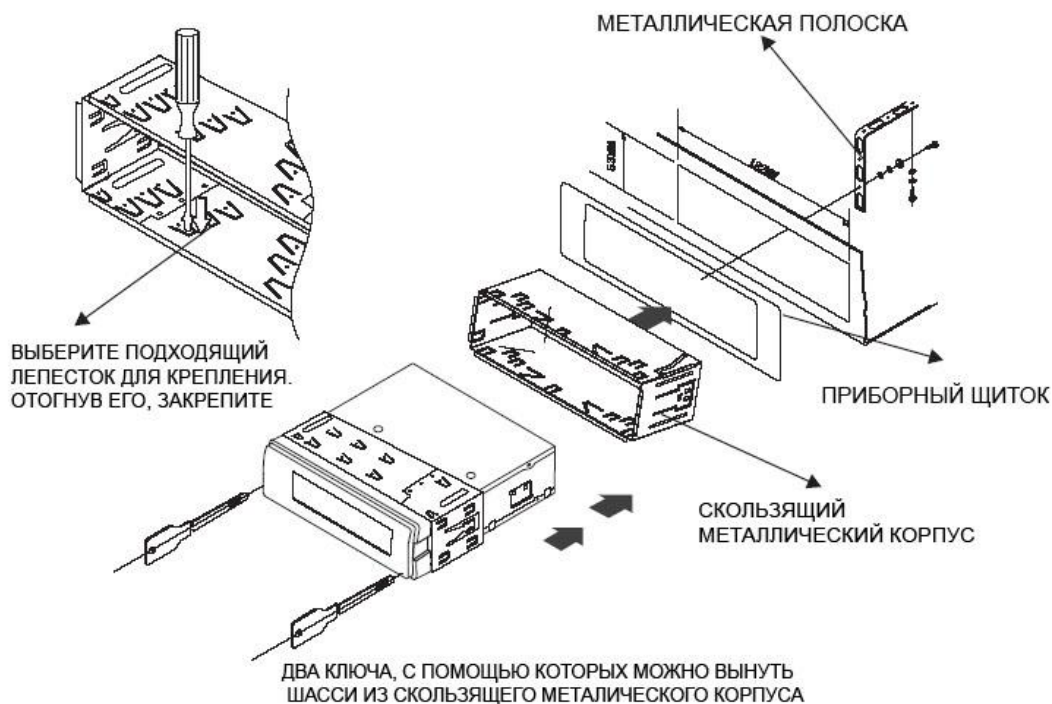
Ключ	
Винт	2 шт
Металлический корпус	1 шт
Коннекторы	2 шт (ISO и RCA)
Мягкий футляр для передней панели	1 шт
Пластиковая рамка)	1 шт
Информация для потребителя	1 шт
Гарантийный талон	1 шт
Инструкция по эксплуатации	1 шт

Установка/подключение

Сначала проведите электрические подключения, затем проверьте их правильность.

Способ установки

Шасси имеет корпус с металлическими направляющими. Пожалуйста, проведите соединение проводов источника питания, динамиков и антенны в соответствии с требованиями инструкции. Затем вставьте металлический корпус с направляющими в автомобиль в соответствии с приведенной схемой.



Установка съемной панели

1. Вставьте левую сторону панели в устройство.
2. Сместите панель влево, затем вставьте правую сторону панели.
3. Нажмите на правую часть панели до щелчка.

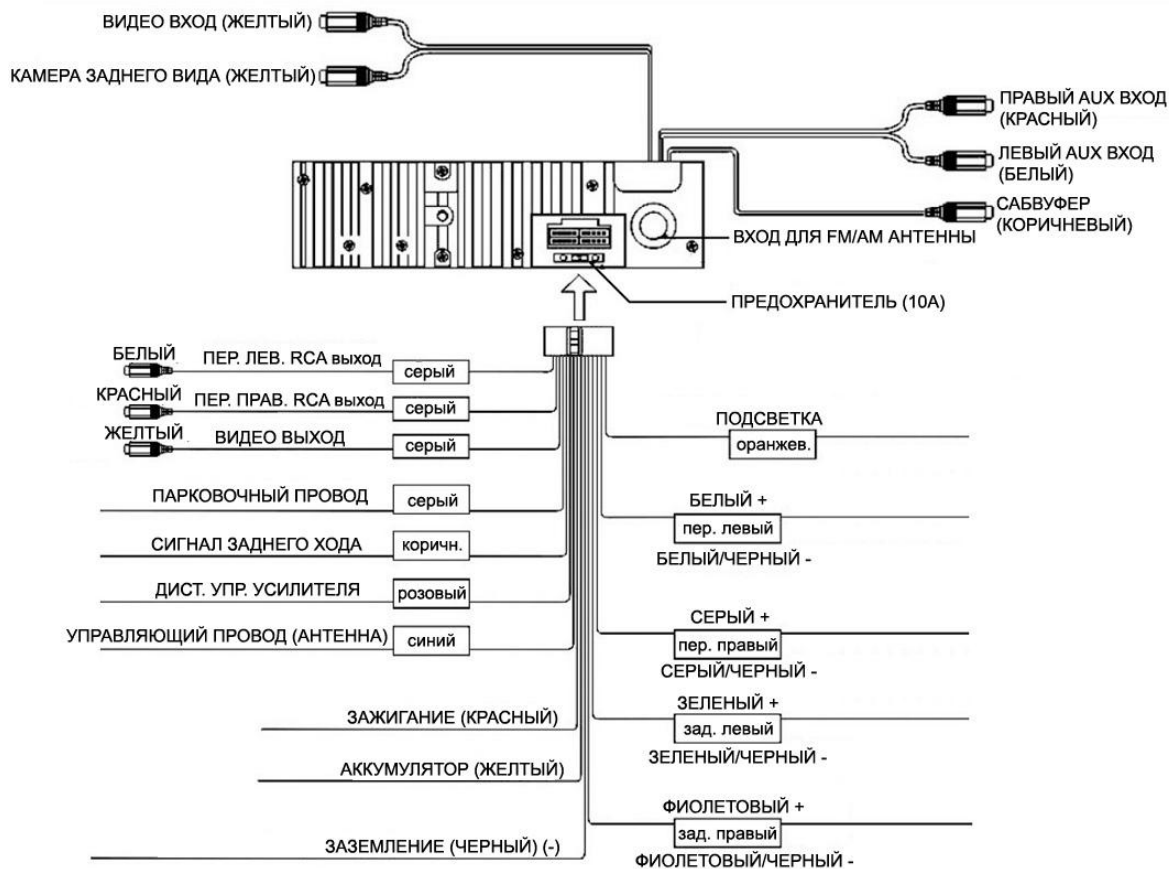
Снятие съемной панели

1. Нажмите кнопку REL на панели. Панель опустится вниз.
2. Сдвиньте панель в левую сторону и вытяните ее на себя.

Внимание: Панель может повредиться из-за внешних факторов: тряски, ударов. После снятия ее с устройства держите панель в защитном футляре и старайтесь не ронять и не наносить физических повреждений. Очень важным элементом является коннектор на задней части панели. Не нажимайте на нее ногтями, ручками, отвертками.

Примечание: Если панель загрязнилась или запылилась, протрите ее сухой чистой тканью. Для чистки разъема в задней части панели используйте тампон, смоченный техническим спиртом.

Схема подключения



Примечания:

- Независимо от вида динамиков, следует использовать динамики с сопротивлением, равным 4 Ом для уменьшения искажений при повышенной громкости.
- Запрещается соединять провода авто антенны и заземления между собой.

- Если парковочный провод подсоединен к рычагу стояночного тормоза, изображение на дисплее будет переключаться между стандартным режимом и предупредительной надписью к этой функции.

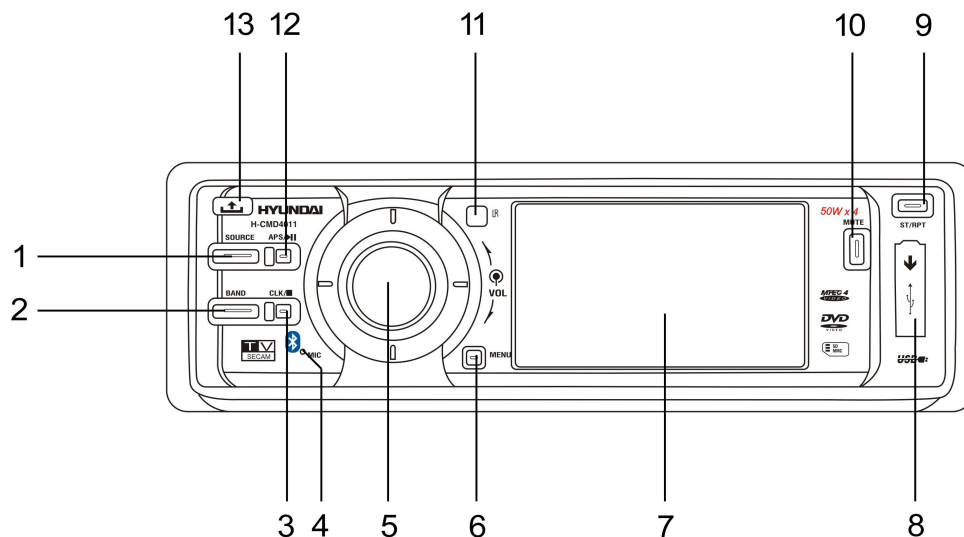
Эта функция отключает видео сигнал во время движения, чтобы водитель не отвлекался от дороги. При активации ручного тормоза видео сигнал снова появляется.



Элементы управления

Передняя панель

1. Кнопка SOURCE
2. Кнопка BAND
3. Кнопка CLK/STOP
4. Микрофон
5. Регулятор VOL/ENTER
6. Кнопка MENU
7. Дисплей
8. USB разъем
9. Кнопка ST/RPT
10. Кнопка MUTE
11. ИК сенсор
12. Кнопки курсора ВПРАВО/
ВЛЕВО/ВВЕРХ/ВНИЗ
13. Кнопка APS/PLAY/PAUSE
14. Кнопка OPEN

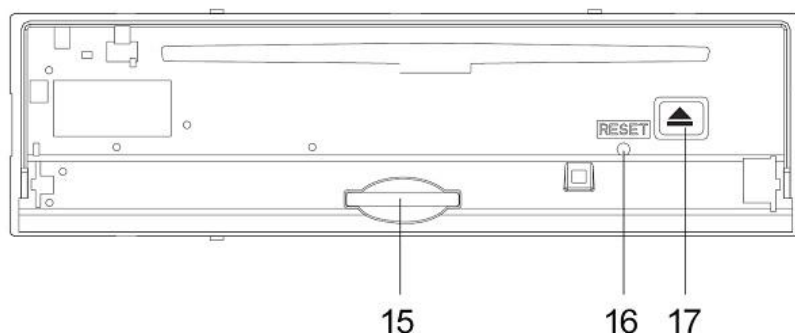


Внутренняя панель

15. SD-слот
16. Кнопка RESET
17. Кнопка EJECT

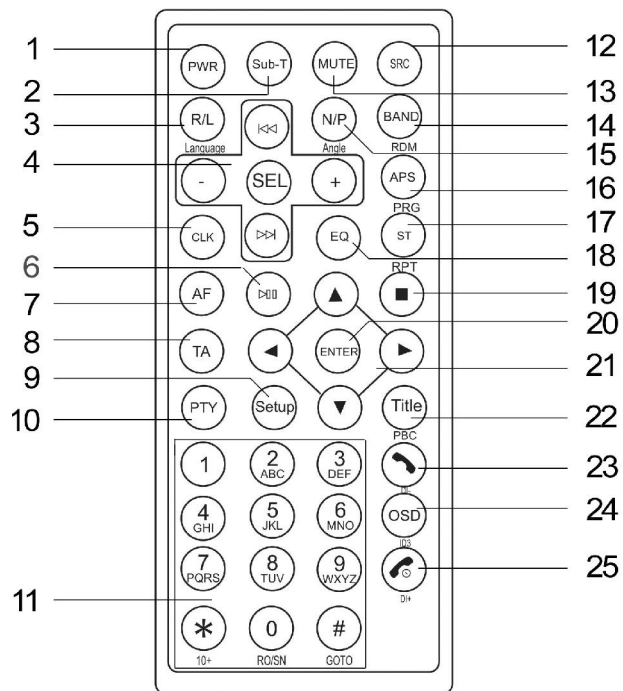
Внутренняя панель устройства будет доступна после снятия передней панели. Нажмите кнопку OPEN, чтобы снять переднюю панель.

Чтобы вернуть исходные настройки устройства, нажмите кнопку RESET.



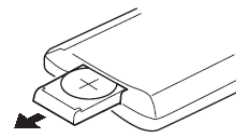
Пульт дистанционного управления

1. Кнопка PWR
2. Кнопка SUB-T
3. Кнопка R/L/LANGUAGE
4. Кнопки VOL-/VOL+/PREV/NEXT/SEL
5. Кнопка CLK
6. Кнопка PLAY/PAUSE
7. Кнопка AF (опция)
8. Кнопка TA (опция)
9. Кнопка SETUP
10. Кнопка PTY (опция)
11. Цифровые кнопки, кнопка GOTO
12. Кнопка SRC
13. Кнопка MUTE
14. Кнопка BAND/RDM
15. Кнопка N/P/ANGLE
16. Кнопка APS/PRG
17. Кнопка ST/RPT
18. Кнопка EQ
19. Кнопка STOP
20. Кнопка ENTER
21. Кнопки курсора ВПРАВО/ВЛЕВО/ВВЕРХ/ВНИЗ/кнопка ENTER
22. Кнопка TITLE/PBC
23. Кнопка ANSWER/DI- (опция)
24. Кнопка OSD/ID3
25. Кнопка HANG UP/DI+ (опция)



Загрузка и замена батарейки

- Для данной модели используется одна литиевая батарейка (CR2025).
- Вставьте батарейку, правильно совместив полюса + и -.



Основные функции

Сброс

При работе с устройством в первый раз или после замены аккумулятора автомобиля следует выполнить сброс настроек устройства. Нажмите кнопку OPEN, передняя панель откроется. Нажмите кнопку RESET с помощью острого предмета.

Включение устройства

Нажмите кнопку SOURCE на передней панели или кнопку PWR на ПДУ, чтобы включить устройство. Нажмите и удерживайте кнопку SOURCE на передней панели или кнопку PWR на ПДУ, чтобы выключить устройство.

Регулирование уровня громкости

Вращайте регулятор VOL по часовой стрелке, чтобы увеличить уровень громкости. Вращайте регулятор против часовой стрелки, чтобы уменьшить уровень громкости. Или нажимайте кнопки VOL+/VOL- на ПДУ.

Выбор режима

Нажимайте кнопку SOURCE, чтобы выбрать режим работы устройства: RADIO (радио) => DISC (диск) => SD (карта памяти) => USB => BACK VIEW (камера заднего вида) => INPUT (дополнительный вход) => TV => Bluetooth. Нажмите соответствующую сенсорную кнопку или кнопки курсора, чтобы выбрать нужный режим.



Отключение звука

Нажмите кнопку MUTE, чтобы отключить звук. Нажмите кнопку повторно, чтобы включить звук.

Настройка эквалайзера

Нажимайте кнопку EQ на ПДУ, чтобы выбрать режим эквалайзера: NORM => ROCK => POP => CLAS. Или войдите в режим эквалайзера через настройки Меню (Аудио настройки), нажав кнопку MENU на панели.

Установка времени

Войдите в Меню настроек (System mode), затем в режим установки часов. Используя кнопки курсора ВЛЕВО/ВПРАВО, настройте часы/минуты, дотроньтесь до строки, на которой изображено время чтобы, выбрать минуты или часы.

Нажмите кнопку CLK, чтобы на дисплее отобразилось время.

Операции с радио

Выбор диапазона

В режиме Радио нажимайте кнопку BAND на передней панели или на ПДУ, чтобы выбрать диапазон: FM1, FM2, FM3, AM1, AM2.

Ручной/автоматический поиск радиостанций

- Нажимайте кнопки курсора ВПРАВО/ВЛЕВО на панели или кнопки PREV/NEXT на ПДУ, чтобы выбрать автоматический поиск или поиск вручную.
- В автоматическом режиме поиска нажмите кнопки NEXT/PREV на ПДУ или кнопки курсора ВПРАВО/ВЛЕВО на панели, устройство автоматически выполнит поиск станций.
- В ручном режиме поиска нажимайте кнопки NEXT/PREV на ПДУ или кнопки курсора ВПРАВО/ВЛЕВО на панели, чтобы найти нужную станцию вручную.
- Используйте кнопки курсора ВВЕРХ/ВНИЗ на передней панели, чтобы выбрать уже сохраненную станцию.

Функция автоматического сохранения станций в памяти

Выберите диапазон. Нажмите и удерживайте более 2 секунд кнопку APS/PLAY/PAUSE на передней панели или кнопку APS на ПДУ, чтобы войти в режим автоматического сохранения станций. 6 радиостанций будут автоматически сохранены в памяти в каждом из 6 диапазонов. Чтобы остановить автоматическое сохранение, нажмите кнопку APS/PLAY/PAUSE.

Функция автоматического сканирования радиостанций

Выберите диапазон. Нажмите кнопку APS на ПДУ или кнопку APS/PLAY/PAUSE на передней панели, чтобы начать сканирование всех сохраненных радиостанций в памяти для текущего диапазона, и останавливаться на каждой станции около 4 секунд. Чтобы остановить сканирование, нажмите повторно кнопку APS на ПДУ или кнопку APS/PLAY/PAUSE на передней панели.

Программирование настройки радио станций

Вы можете сохранить до 30 радио станций в памяти (18 FM, 12 AM), вручную или автоматически.

Чтобы сохранить станцию:

- Выберите диапазон (если нужно).
- Выберите станцию, используя кнопки NEXT/PREV на ПДУ или кнопки курсора ВПРАВО/ВЛЕВО на панели.
- Нажмите и удерживайте кнопки курсора ВВЕРХ/ВНИЗ на панели, чтобы сохранить станцию.

Чтобы вызвать станцию:

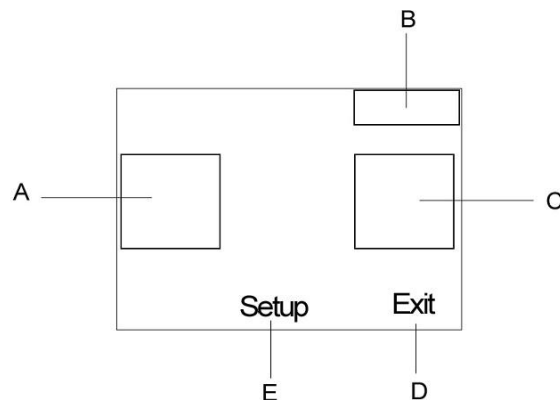
- Выберите диапазон (если нужно).
- Нажимайте кнопки курсора ВВЕРХ/ВНИЗ на панели, чтобы вызвать сохраненную станцию.

Режим Стерео/Моно

Нажимайте кнопку ST/RPT на ПДУ, чтобы выбрать режим ST OFF (моно) или ST ON (стерео).

Операции с сенсорным дисплеем

- Нажимайте на секторы дисплея А и С для выполнения автоматического или ручного поиска (те же функции, что и при нажатии кнопок курсора ВЛЕВО/ВПРАВО на панели или кнопок PREVIOUS/NEXT на ПДУ).
- Нажмите на сектор В, чтобы отобразилось время.
- Нажмите на сектор Е чтобы войти в Системное меню (более подробно см. в п. «Работа с системным меню»).
- Нажмите на сектор D, чтобы выйти из режима Радио и войти в меню источников сигнала.



Операции с DVD/CD дисками

Используемая терминология

РВС (управление воспроизведением)

Управление воспроизведением – это меню, записанное на видео компакт-дисках. Использование экранного меню видео компакт-диска с РВС, позволяет Вам пользоваться простыми интерактивными программами с функциями поиска. Вы также можете просматривать неподвижные изображения с высоким разрешением.

Раздел: Большой объем диска позволяет записывать несколько фильмов или роликов. Например, если 1 диск содержит 3 разных фильма (ролика), они подразделяются как Раздел 1, Раздел 2 и Раздел 3. Это позволяет Вам пользоваться удобными функциями поиска.

Глава: Любой раздел может состоять из отдельных блоков, каждый из которых можно просматривать отдельно. Такой блок называется главой. В каждой главе должно содержаться не меньше одного трека.

Трек: Трек – это дорожка, музыкальная или видео композиция. Например, песня, записанная на диске, является треком.

Диски для воспроизведения

- Это устройство может воспроизводить разновидности цифровых дисков: CD/DVD/DVD±R/CD-R/-RW.

- Совместимо с форматами: DVD/SVCD/VCD/HDCD/MP3/MP4/WMA/CDDA/Picture-CD/JPEG.

- Поддерживаются следующие типы файлов:

Аудио файлы: MP3 (*.mp3)

WMA (*.wma)

Видео файлы: MPEG 2(*.vob)

MPEG 1(*.dat)

Файлы с изображениями: JPEG (*.jpg)

- ISO 9660 или ISO 9660 + формат Joliet - максимум 30 знаков.

- Поддерживаемая частота дискретизации для MP3 диска: от 8 кГц до 48 кГц (предпочтительно 44,1 кГц).

- Поддерживаемые скорости цифрового потока MP3 диска: 32 - 320 Кб/сек (предпочтительно 128 Кб/сек).
- Не поддерживаются следующие форматы: *.ACC, *.DLF, *.M3U, *.PLS, MP3 PRO, файлы с DRM.
- Диски с открытой сессией записи не поддерживаются.

Сенсорный экран

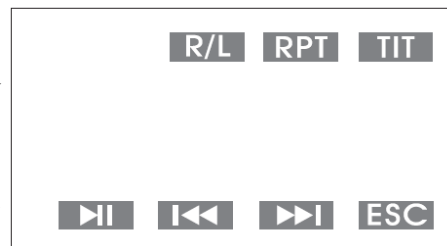
Некоторыми функциями можно управлять с помощью сенсорного экрана. Для вызова экранного меню прикоснитесь к экрану.

R/L: Нажмите кнопку R/L на экране для переключения между режимами mono L (моно лев.) mono R (моно прав.) или stereo (стерео).

RPT: Нажмите эту кнопку для выбора режима повтора.

TIT (Раздел): При воспроизведении нажмите эту кнопку для возврата к меню раздела, где Вы можете выбрать нужный пункт меню.

ESC: При воспроизведении нажмите эту кнопку для выхода из режима воспроизведения.



Загрузка/извлечение диска

- Нажмите кнопку OPEN на передней панели, чтобы открыть внутреннюю панель со слотом для загрузки дисков. Вставьте диск в слот маркированной стороной вверх, воспроизведение начнется автоматически. Закройте переднюю панель.
- Чтобы остановить воспроизведение, нажмите кнопку STOP на ПДУ.
- Нажмите кнопку EJECT на передней панели, чтобы извлечь диск.

Воспроизведение/Пауза

- Воспроизведение диска начнется автоматически при его загрузке. Или нажмите кнопку PLAY/PAUSE на ПДУ или кнопку APS/PLAY/PAUSE на панели, чтобы начать воспроизведение.
- Чтобы обеспечить высокое качество воспроизведения, дождитесь, пока плеер закончит читать диск, а затем начинайте воспроизведение.
- Во время воспроизведения нажмите кнопку PLAY/PAUSE, режим паузы активируется. Нажмите кнопку PLAY/PAUSE повторно, чтобы продолжить воспроизведение.

Остановка воспроизведения

Для MP3/MPEG-4/USB для остановки воспроизведения нажмите кнопку STOP на ПДУ. Нажмите кнопку PLAY/PAUSE, чтобы продолжить воспроизведение.

Для VCD/CD дисков нажмите кнопку STOP на ПДУ, чтобы войти в режим паузы. Нажмите кнопку PLAY/PAUSE, чтобы начать воспроизведение. Нажмите кнопку STOP дважды, чтобы остановить воспроизведение.

Использование кнопок с цифрами

Для ввода цифровых значений (номер раздела/трека/главы) используйте цифровые кнопки 0-9. Воспроизведение выбранного таким образом трека начнется автоматически.

Переход к предыдущему/следующему треку

Во время воспроизведения нажмите кнопку NEXT для перехода к следующему треку. Нажмите кнопку PREV для воспроизведения предыдущего трека. Нажмите и удерживайте кнопки PREV/NEXT для перемотки назад или вперед.

Повтор воспроизведения

Нажмите кнопку ST/RPT для повторного воспроизведения при:

- Воспроизведении DVD дисков: REP CHAPTER (глава) => REP TITLE (раздел) => REP ALL (повт все) => REP OFF (выкл).
- Воспроизведении MP3 дисков: REP ONE (повт один) => REP DIR (повт папка) => REP ALL (повт все) => REP OFF (выкл).
- Воспроизведении VCD/CD дисков: REP ONE (повт один) => REP ALL (повт все) => REP OFF (повт выкл).

Воспроизведение в случайном порядке

Во время воспроизведения трека нажмите кнопку BAND/RDM на ПДУ, чтобы начать воспроизведение всех треков в случайном порядке. Нажмите повторно, чтобы отменить функцию.

Выбор режима звука/языка

Нажмите кнопку R/L/LANGUAGE на ПДУ при:

- Воспроизведении DVD дисков, чтобы выбрать язык аудио.
- Воспроизведении VCD дисков, чтобы выбрать режим звука: MONO L (моно лев), MONO R (моно прав), STEREO (стерео).

Система видео

Нажмите кнопку N/P/ANGLE, чтобы выбрать систему видео: NTSC => PAL => AUTO.

Выбор языка субтитров (только для DVD дисков)

Если DVD диск поддерживает несколько языков субтитров, нажимайте кнопку SUB-T на ПДУ, чтобы выбрать язык.

Отображение информации на экране

Нажимайте кнопку OSD на ПДУ, чтобы отобразить на экране информацию о текущем треке/главе и времени воспроизведения.

Работа с меню заголовков DVD диска

- В режиме DVD, нажмите кнопку TITLE/PBC на ПДУ для отображения списка разделов диска на дисплее.
- Нажимайте кнопку курсора ВВЕРХ/ВНИЗ/ВЛЕВО/ВПРАВО и цифровые кнопки на ПДУ, чтобы выбрать нужный раздел.

PBC (управление воспроизведением) (только для VCD дисков)

Если вы используете VCD диск с функцией PBC, воспроизведение автоматически начинается с начала первого трека.

1. Нажмите кнопку PBC на ПДУ, чтобы во время воспроизведения активизировать интерактивное меню на экране.
2. Если меню состоит из списка заголовков, Вы можете непосредственно выбирать нужные при помощи цифровых кнопок.
3. При вводе номера воспроизведение начнется автоматически, при выборе заголовка нажмите кнопку ENTER, чтобы начать его воспроизведение.
4. При воспроизведении нажмите кнопку STOP, чтобы вернуться в меню.

5. Еще раз нажмите кнопку PBC, чтобы выйти из меню.

Функция поиска

1. Во время воспроизведения DVD/VCD/CD диска нажмите кнопку GOTO на ПДУ, чтобы войти в меню поиска.
2. Нажимайте кнопки курсора ВЛЕВО/ВПРАВО, чтобы выбрать пункт: Title (Раздел) => Chapter (Глава) => Audio (Язык аудио) (в зависимости от типа диска).
3. При помощи цифровых кнопок введите номер заголовка/главы.
4. Нажмите кнопку ENTER, чтобы подтвердить выбор.

Программирование списка воспроизведения (только для VCD/CD дисков)

Во время воспроизведения нажмите кнопку APS/PRG на ПДУ, чтобы открыть программное меню. Нажимайте цифровые кнопки, чтобы выбрать номер трека, затем используйте кнопки курсора ВВЕРХ/ВНИЗ/ВЛЕВО/ВПРАВО, чтобы переместить курсор на пункт PLAY. Нажмите кнопку ENTER, чтобы подтвердить. Начнется воспроизведение выбранного трека. Выберите CLEAR чтобы отменить установку.

Операции с аудио/видео файлами/изображениями

Вставьте диск со смешанными типами файлов (.mp3, .jpeg, .wma, mpeg4), нажмите кнопку STOP. На дисплее отобразится список категорий/папок/файлов, сверху будет отображено имя проигрываемого файла. Выбранный пункт будет выделен.

Выбор категории

1. При помощи кнопок курсора ВЛЕВО/ВПРАВО выберите:

 AUDIO  PICTURE  VIDEO.

2. Нажмите кнопку ENTER, чтобы подтвердить выбор.

Выбор файла

1. Используйте кнопки курсора ВВЕРХ/ВНИЗ/ВЛЕВО/ВПРАВО, чтобы выбрать нужный файл.
2. Нажмите кнопку ENTER для воспроизведения.

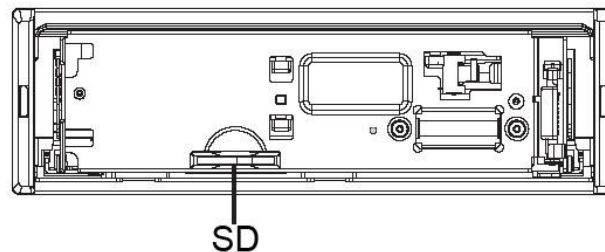
3. Нажмите кнопку **STOP**, чтобы остановить воспроизведение и вернуться к списку.

Установка устройств USB

Установите USB устройство в слот USB. Нажмите **SRC/PWR** или **SOURCE**, чтобы выбрать режим USB. Начнется воспроизведение первого трека установленного устройства.

Примечания:

- Поддержка FAT 12/ FAT 16/ FAT 32
 - FAT 12/ 16 (поддержка 200 папок, 500 файлов),
 - FAT 32 (поддержка 200 папок, 500 файлов).
- Имя файла: 32 байта/имя папки: 32 байта.
- Тэг (id3tag Английский язык)
- Имя/ Исполнитель/ Альбом: поддержка 32 байтов.
- Поддержка формата USB 2.0. Емкость: до 2 Гб.



Режим SD/MMC

Снимите переднюю панель. Вставьте карту памяти в SD слот. Установите панель. Нажмите кнопку **SOURCE**, чтобы выбрать режим SD.

SD: Поддержка брендов SD карт памяти: Cannon, Fuji film, Palm, Motorola, Microsoft, IBM, HP, Compaq, Sharp, Samsung, и т. д. Емкость: до 2 Гб.

MMC: Поддержка брендов MMC карт памяти: Ericsson, Nokia, Motorola, HP, Palm, Sanyo, Microsystems, и т.д. Емкость: до 2 Гб.

ТВ тюнер

Чтобы устройство могло принимать ТВ программы, установите ТВ антенну. Для просмотра программ остановите автомобиль во избежание появления помех.

Поиск канала

Нажмите кнопку SOURCE и нажимайте кнопки курсора. Затем нажмите кнопку ENTER (или сенсорную кнопку соответствующего режима), чтобы войти в режим TV. Прикоснитесь к сенсорному экрану, появится меню. Затем нажмите кнопку AMS, устройство автоматически выполнит сканирование и сохранение ТВ программ.



Сканирование программ

Нажмите кнопку APS/PLAY/PAUSE на ресивере или APS/PRG на ПДУ, чтобы выполнить автоматическое сканирование и сохранение программ.

Выбор канала

Нажмите кнопку NEXT/PREVIOUS на ПДУ или на экранном меню или кнопки курсора ВЛЕВО/ВПРАВО на устройстве, чтобы выбрать нужный канал. Если Вы хотите выбрать канал непосредственно, нажимайте цифровые кнопки 0-9 на ПДУ. Например, для выбора канала номер 4 нажмите кнопку 0, затем 4. Для выбора канала номер 14 нажмите кнопку 10+, затем кнопку 4.

Работа с системным меню

Для входа системное меню нажмите кнопку MENU (или прикоснитесь к правому верхнему углу дисплея в режиме Радио). Войдите в меню Видео режима, Аудио режима и режим системных настроек с помощью кнопок курсора ВВЕРХ/ВНИЗ/ВЛЕВО/ВПРАВО.

VIDEO (Видео режим)

Вы можете настроить такие параметры как BRIGHT (яркость), COLOR (цвет), CONTRAST (контрастность), TINT (оттенок), V.MODE (видео режим) (STAN => USER =>SOFT => BRIG) (стандартный, пользовательский, мягкий, яркий).

VIDEO	AUDIO	SYSTEM
BRIGHT		13
CO		14
CONTRAST		14
TINT		15
VMODE		STAN

- + ESC

AUDIO (Аудио режим)

В данном подменю можно настроить следующие параметры: BASS (низкие частоты), TREBLE (высокие частоты), BALANCE (баланс между правыми и левыми динамиками), FADER (баланс между передними и задними динамиками), EQ (эквалайзер) (NORM, ROCK, JUZZ, CLAS, POP (нормальный, рок, джаз, классика, поп)).

Video	Audio	System
BASS		0
TREBLE		
BALANCE		0
FADER		0
EQ		NORM

- + ESC

Системные настройки

В данном подменю можно настроить следующие параметры: LOUD (громкость), BEEP, TOPIC, TIME DISP (отображение времени на дисплее), TIME ADJ (настройка текущего времени).

Video	Audio	System
LOUD		OFF
BEEP		ON
TOPIC		GREEN
TIME DISP		OFF
TIME ADJ		00:00

- + ESC

Обзор MP3

Замечания по MP3

- MP3 это краткое обозначение аудио слоя MPEG 3 и относится к стандарту технологии сжатия звука.
- Данное изделие позволяет воспроизводить файлы MP3 на дисках CD-ROM, CD-R или CD-RW.
- Изделие может считывать файлы MP3, записанные в формате, соответствующем ISO 9660. Однако оно не поддерживает данные MP3, записанные методом пакетной записи.
- Изделие не может считывать файлы MP3, которые имеют расширение файла, отличающееся от «.mp3».
- Если вы воспроизводите не MP3 файл, который имеет расширение «.mp3», вы можете слышать некоторые шумы.
- В данном руководстве мы рассматриваем файлы, называемые «файлами MP3» и «папкой», а в технологии PC «дорожкой» и «альбомом» соответственно.
- Максимальное количество уровней директории равно 8, включая корневую директорию. Максимальное количество файлов и папок на диске 256.
- Изделие может не воспроизводить дорожки в последовательном порядке.
- Изделие воспроизводит только аудио треки, если диск содержит как аудио треки, так и файлы MP3.
- При воспроизведении диска 8 килобит или VBR, истекшее время воспроизведения в окне дисплея будет неправильным, а также ознакомительное воспроизведение может не действовать надлежащим образом. VBR: Переменная скорость передачи битов.

Замечание по созданию собственных CD-R или CD-RW, содержащих файлы MP3

- Для получения высокого качества звука мы рекомендуем преобразовывать файлы MP3 с эталонной частотой 44,1 кГц и фиксированным битрейтом 128 кбит/сек. Не сохраняйте более 256 файлов MP3 на диске.
- Для формата, совместимого с ISO 9660, максимально допустимая глубина вложенных папок равняется 8, включая корневую директорию (папку).

- При использовании диска CD-R воспроизведение возможно только для дисков, которые были закончены. Убедитесь, что при записи MP3 CD-R или CD-RW были отформатированы как диски данных, а не как аудио диски.
- Вы не должны записывать не-MP3 файлы или ненужные папки вместе с файлами MP3 на диск, в противном случае потребуется много времени, пока изделие начнет воспроизводить файлы MP3.
- На некоторых CD-R или CD-RW данные могут не быть записаны надлежащим образом в зависимости от качества их производства. В этом случае данные могут быть воспроизведены не надлежащим образом. Рекомендуются диски CD-R или CD-RW высокого качества.
- Имя альбома или композиции может содержать до 16 символов. Необходима версия 1.x ID3TAG.
- Помните, что изделие может не воспроизводить треки в том порядке, в котором они записаны на диске.

Настройки системы

1. Нажмите кнопку SETUP на ПДУ, чтобы открыть меню настройки системы.
2. Используйте кнопки курсора ВПРАВО/ВЛЕВО, чтобы выбрать нужное меню из списка: Установки системы, Установки языка, Установки видео.
3. Нажмите кнопку курсора ВНИЗ, чтобы войти в меню.
4. Используйте кнопки курсора ВВЕРХ/ВНИЗ, чтобы выбрать нужную настройку.
5. Нажмите на кнопку курсора ВПРАВО, чтобы открыть список установок выбранной настройки.
6. Используйте кнопки курсора ВВЕРХ/ВНИЗ, чтобы выбрать нужную установку, затем нажмите кнопку ENTER, чтобы подтвердить.

Установки системы

• ТВ

Авто: система ТВ автоматически переключается в соответствии с системой, в которой записан диск.

NTSC: эта система используется в США, Тайване, Японии и пр.

PAL: эта система используется в Китае, Европе, Гонконге и пр.

• Заставка

Если данная функция включена, то на дисплее появится заставка при отсутствии каких-либо действий в течение нескольких минут.

• Тип ТВ

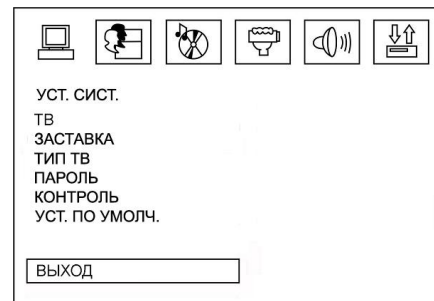
4:3 PS: Когда домашний кинотеатр подключен к обычному телевизору, широкоэкранный образ воспроизводится на всем экране, но часть его обрезается.

4:3 LB: Когда домашний кинотеатр подключен к обычному телевизору, широкоэкранный образ воспроизводится так, что сверху и снизу появляются черные полосы.

16:9: Используйте этот пункт, если домашний кинотеатр подключен к широкоэкранному телевизору.

• Пароль

Здесь Вы можете изменить пароль. Введите Ваш старый пароль или пароль по умолчанию – 0000. Затем введите новый пароль. Введите новый пароль еще раз. Нажмите на ОК, чтобы сохранить новый пароль.



- **Контроль**

Эта функция предназначена для контроля родителями за содержанием дисков при их воспроизведении и защищает Ваших детей от сцен насилия и эротики. Диск, уровень которого выше, чем установленный с помощью данной функции, не будет воспроизведен.

Для изменения уровня ограничения введите пароль.

- **Уст. по умолч.**

Функция восстанавливает фабричные настройки устройства.

Установки языка

- **Язык в меню, Язык в аудио, Язык субтитров**

Эти параметры могут быть изначально установлены в соответствии с Вашими предпочтениями. Если установленные Вами параметры поддерживаются содержанием диска, то воспроизведение будет происходить с учетом Ваших настроек. Иначе, будут использоваться установки диска, заданные по умолчанию.

- **Язык меню**

Выберите язык меню настройки системы.

- **Язык DivX**

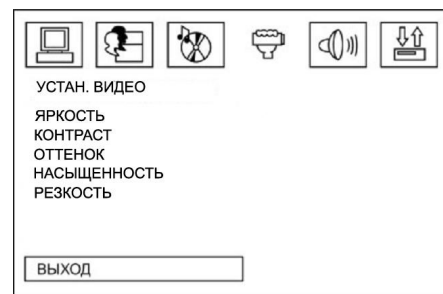
Выберите язык DivX, если используемый диск поддерживает несколько языков DivX.

Примечание: Устройство поддерживает DivX диски форматов 4.0, 5.0, 6.0.



Установки видео

Вы можете отрегулировать такие параметры, как яркость, контрастность, оттенок, насыщенность и резкость в соответствии с вашими предпочтениями.



Функция Bluetooth

С помощью беспроводной технологии Bluetooth возможно установить связь между данным устройством и мобильным телефоном, что позволит управлять телефоном с помощью устройства.

Примечание: Модуль Bluetooth данного устройства может не поддерживать некоторые модели мобильных телефонов.

Режим Bluetooth

Нажмите кнопку SRC, чтобы войти в главное меню. В главном меню нажмите на сенсорную кнопку Bluetooth, чтобы переключить устройство в режим Bluetooth.



Соединение

- Нажмите сенсорную кнопку SETUP, чтобы войти в режим соединения.
- Во время соединения включите Bluetooth на мобильном телефоне и введите в телефоне пароль «0000». На дисплее телефона отобразится имя устройства «H-CMD4011».
- В случае успешного соединения модуль Bluetooth выполнит подключение телефона к устройству.

При успешном подключении на дисплее отобразится надпись «Connected». Нажмите сенсорную кнопку EXIT для перехода к меню набора номера.



Набор и вызов номера

Наберите телефонный номер на телефоне с помощью цифровых сенсорных кнопок на дисплее.

- Нажимайте кнопки с цифрами «0~9», чтобы ввести телефонный номер. В то же время введенный номер будет отображаться на дисплее. При вводе неправильного номера нажмите сенсорную кнопку в виде зеленой стрелки для его удаления.

- Для выполнения вызова нажмите сенсорную кнопку ANSWER.

Набор последнего номера

- Нажмите сенсорную кнопку ANSWER, чтобы вывести на дисплей последний набранный номер.
- Нажмите сенсорную кнопку ANSWER, чтобы выполнить вызов.



Прием/отклонение/завершение вызова

Прием вызова: При входящем звонке нажмите сенсорную кнопку ANSWER, чтобы принять звонок.

Отклонение вызова: При входящем звонке нажмите сенсорную кнопку HANG UP, чтобы отклонить звонок.

Завершение вызова: Если во время разговора Вы хотите завершить звонок, нажмите сенсорную кнопку HANG UP.

Передача вызова

Во время разговора вы можете перевести звонок с устройства на телефон; для этого нажмите сенсорную кнопку TRANSFER; с помощью этого же действия можно перевести звонок обратно на устройство.

Камера заднего вида

Данное устройство оснащено выходом для камеры заднего вида. Камера используется для наблюдения за происходящим сзади автомобиля во время движения задним ходом.

Подсоедините камеру заднего вида к выходу для камеры заднего вида. И подсоедините провод сигнала заднего хода к фонарю задней передачи. Существует два способа активации данной функции для показа изображения на экране:

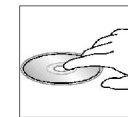
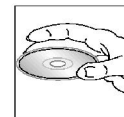
1. При движении автомобиля задним ходом.
 2. При нажатии кнопки SOURCE (SRC) и выбора источника сигнала Back View (камера заднего вида).
- В этом случае Вы можете видеть изображение постоянно, даже если автомобиль не движется задним ходом, пока Вы не выберете другой источник сигнала.

Система против кражи

Данное устройство оснащено откидывающейся съемной панелью. С целью предотвращения кражи панель можно снять с устройства и хранить вне автомобиля.

Обращение с компакт-дисками

- Грязные, поцарапанные или погнутые диски могут вызвать искажение звука или шумы
- Держите диск только за края (как показано на рисунке). Чтобы обеспечить чистоту, не прикасайтесь к его поверхности.
- Диски должны храниться в их чехлах после использования, чтобы не поцарапать их поверхность.
- Не подвергайте диски действию прямого солнечного света, повышенной влажности, повышенным температурам или действию пыли.

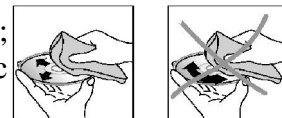


- Продолжительное влияние предельных температур может изогнуть диск (например, пребывание дисков в автомобиле в летнее время).
- Не царапайте и не пишите что-либо на любой стороне диска. Острые пишущие инструменты или чернила, используемые в них, могут повредить поверхность диска.
- Не прикасайтесь к стороне, не имеющей маркировки.
- Не прикрепляйте какую-либо печать, этикетку или лист предохранения данных к любой стороне диска.
- Данное изделие не может воспроизводить CD размером 3 дюйма (8 см).
- Никогда не вставляйте CD размером 3 дюйма, установленный в адаптер, или CD неправильной формы. Изделие не сможет выбросить его, что приведет к сбою.

Чистка и уход

Чистка корпуса

Протирайте мягкой тканью. Если корпус очень загрязнен, не мочите его; используйте ткань, слегка смоченную мыльным раствором, и затем вытрите корпус сухой тканью.



Чистка дисков

Отпечатки пальцев должны быть тщательно стерты с поверхности диска мягкой тканью. В отличие от обычных пластинок, компакт-диски не имеют канавок для сбора пыли и микроскопических частиц грязи, поэтому осторожно вытирайте их мягкой тканью, чтобы убрать частицы грязи. Вытирайте прямолинейным движением от центра к краю.

Никогда не используйте растворитель, бензин, очиститель пластинок или антистатический аэрозоль для чистки дисков. Такие химические вещества могут повредить его пластиковые поверхности.

Руководство по устранению неисправностей

Неисправность	Причина	Решение
Нет питания	Зажигание машины не включено. Сгорел предохранитель.	Если источник питания подключен к выключателю машины, установите ключ зажигания в положение «АСС». Замените предохранитель.
Невозможно загрузить диск	В плеер установлен диск.	Удалите диск из плеера, затем установите новый.
Устройство не может считать диск	Диск установлен верхней стороной вниз. Компакт диск загрязнен или имеет дефект. Температура внутри машины очень высокая.	Установите компакт диск стороной с этикеткой вверх. Очистите диск или установите новый. Подождите, пока температура не станет нормальной.
Нет звука	Звук установлен на минимум. Кабель не подключен надлежащим образом.	Отрегулируйте звук до необходимого уровня. Проверьте подключение кабеля.
Не работают кнопки	Встроенный микрокомпьютер не работает надлежащим образом из-за шумов. Передняя панель не установлена на свое место.	Нажмите кнопку RESET. Повторно установите переднюю панель.
Звук пропадает	Угол установки более 30 градусов. Компакт диск загрязнен или имеет дефект.	Отрегулируйте угол установки, установив его менее 30 градусов. Очистите диск или установите новый.
Радио не работает. Не работает автоматический выбор станции.	Антенный кабель не подключен. Сигналы слишком слабы.	Вставьте антенный кабель надежно. Выберите станцию вручную.

Технические характеристики

Общие	
Источник питания	12 В, постоянный ток
Потребляемый ток	макс. 10 А
Максимальная выходная мощность	50 Вт x 4 канала
Предохранитель	10 А
Размеры (Д x Ш x В)	187 x 50 x 170 мм
Поддерживаемые носители	DVD/DVD±R/DVD±RW/CD/CD-R/CD-RW/USB/SD/MMC
Поддерживаемые форматы	DVD/SVCD/VCD/HDCD/MP3/MP4/WMA/CDDA/Picture-CD/JPEG
Сtereo FM радио	
Частотный диапазон	87,5 – 108,0 МГц
Используемая чувствительность	4 мкВ
Память	18 станций
АМ радио	
Частотный диапазон	522 – 1620 кГц
Память	12 станций
Дисплей	
Дисплей	Встроенный 3-дюймовый TFT
Формат матрицы	16:9
Цветовая система	PAL/SECAM/NTSC
Разрешение	480 x 234
Яркость	350 кд/м ²
Контрастность	300:1
Угол обзора	В: 110 ⁰ , Г: 120 ⁰
Проигрыватель дисков	
Частотный диапазон	20 Гц – 20 КГц

Отношение сигнал-шум	87 дБ
ESP	Для аудио CD: 40 с/для MP3: 120 с.
Линейный выход	RCA (2В)

Технические характеристики могут быть изменены заводом-изготовителем без предварительного уведомления.

Указанные геометрические размеры имеют приблизительные значения.



АИ49