

SCHEMATIC DIAGRAMS

• MAIN SCHEMATIC DIAGRAM

NOTE: Warning



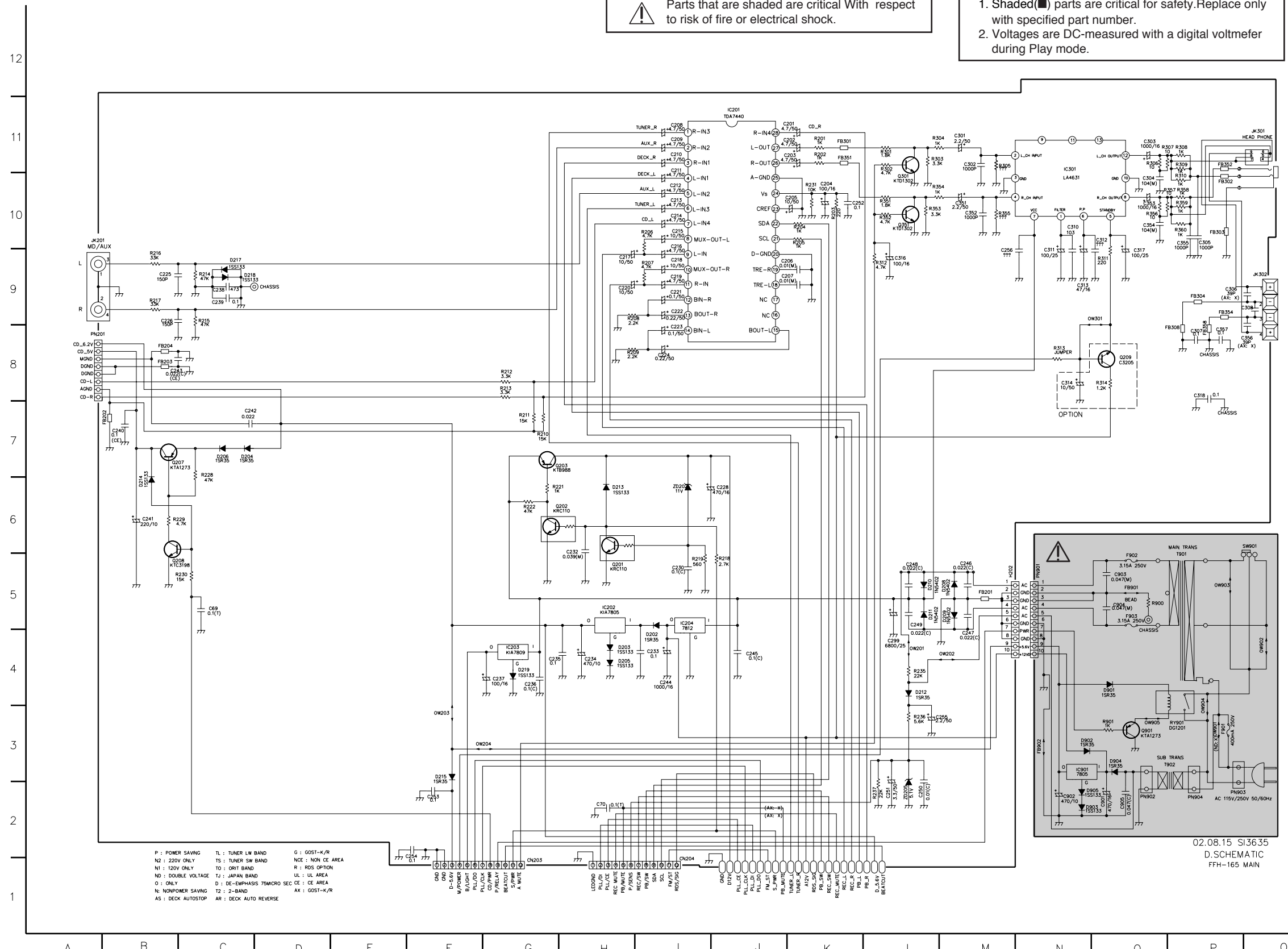
Parts that are shaded are critical With respect to risk of fire or electrical shock.

NOTE:

1. Shaded(■) parts are critical for safety. Replace only with specified part number.
2. Voltages are DC-measured with a digital voltmeter during Play mode.

LOCATION GUIDE

A12V	K1	FB203	B8	RY901	P3
BEATCUTL1	FB204	B8	SW901	P6	
C201	J11	FB301	K11	S_PWR	J1
C202	J11	FB302	P10	T901	P5
C203	J11	FB303	P10	T902	O3
C204	K10	FB304	P9	TUNER_LK1	
C205	J10	FB308	O8	TUNER_RK1	
C206	J9	FB351	K11	ZD202	I6
C207	J9	FB352	P11	ZD205	L2
C208	I11	FB354	P9		
C209	I11	FB358	P8		
C210	I11	FB901	O5		
C211	I10	FB902	N3		
C212	I10	FM_ST	J1		
C213	I10	GND			
C214	I10	H202	M5		
C215	I10	IC201	J11		
C216	I10	IC202	H5		
C217	H9	IC203	G4		
C218	H9	IC204	I5		
C219	H9	IC205	N11		
C220	H9	IC901	N3		
C221	I9	JK201	A10		
C222	I9	JK301	Q11		
C223	I8	JK302	O9		
C224	I8	OW201	L4		
C225	B9	OW202	M4		
C226	B9	OW203	F3		
C228	J6	OW204	F3		
C230	I5	OW301	N9		
C232	H5	OW901	P3		
C233	I4	OW902	O4		
C234	H4	OW903	P5		
C235	G4	OW904	P3		
C236	G4	OW905	O3		
C237	G4	PB_L	K1		
C238	C9	PB_MUT1	J1		
C239	C9	PB_R	L1		
C240	B7	PB_SW	K1		
C241	B6	PLL_CE	J1		
C242	C7	PLL_CLK	J1		
C243	B8	PLL_DI	J1		
C244	I4	PLL_DO	J1		
C245	J4	PN201	A8		
C246	M5	PN901	N5		
C247	M4	PN902	O2		
C248	L5	PN903	P2		
C249	L5	PN904	P2		
C250	L2	Q201	H5		
C251	L2	Q202	O6		
C252	K10	Q203	G7		
C253	F2	Q207	B7		
C254	E1	Q208	B5		
C255	L3	Q209	O8		
C256	M9	Q301	L10		
C259	L4	R351	L10		
C301	M11	Q901	O3		
C302	M11	R201	K11		
C303	O11	R202	K11		
C304	O10	R203	K10		
C305	P10	R204	K10		
C306	P9	R205	K10		
C307	P8	R206	I10		
C308	P9	R207	I9		
C310	N10	R208	H9		
C311	N9	R209	H8		
C312	O10	R210	G7		
C313	N9	R211	G7		
C314	N8	R212	G8		
C316	L9	R213	G8		
C317	O9	R214	C9		
C318	P8	R215	C9		
C351	M10	R216	B9		
C352	M10	R217	B9		
C353	O10	R218	J5		
C354	O10	R219	I5		
C355	P10	R221	O6		
C356	P9	R222	O6		
C357	P8	R228	C7		
C69	C5	R229	B6		
C70	H2	R230	B5		
C901	O2	R231	K10		
C902	N2	R235	L4		
C903	O5	R236	L3		
C904	O5	R237	L2		
C905	G1	R301	L11		
CN203	O2	R302	L11		
CN204	I1	R303	L11		
D12V	J1	R304	L11		
D202	I4	R305	M11		
D203	H4	R306	O11		
D204	C7	R307	O11		
D205	H4	R308	P11		
D206	C7	R309	P11		
D208	M5	R310	P10		
D209	M5	R311	O9		
D210	L5	R312	L9		
D211	L5	R313	N8		
D212	L4	R314	O8		
D213	H6	R351	H6		
D214	B6	R352	L10		
D215	F3	R353	L10		
D217	C9	R354	L10		
D218	C9	R355	M10		
D219	G4	R356	O10		
D901	O4	R357	O10		
D902	N3	R358	P10		
D903	O2	R359	P10		
D904	O3	R360	P10		
D905	N2	R900	O5		
D_5.5V	L1	R901	O3		
F901	P3	RDS_SIG	K1		
F902	O5	REC_L	K1		
F903	O5	REC_MUT1	K1		
FB201	M5	REC_R	K1		
FB202	B7	REC_SW	K1		

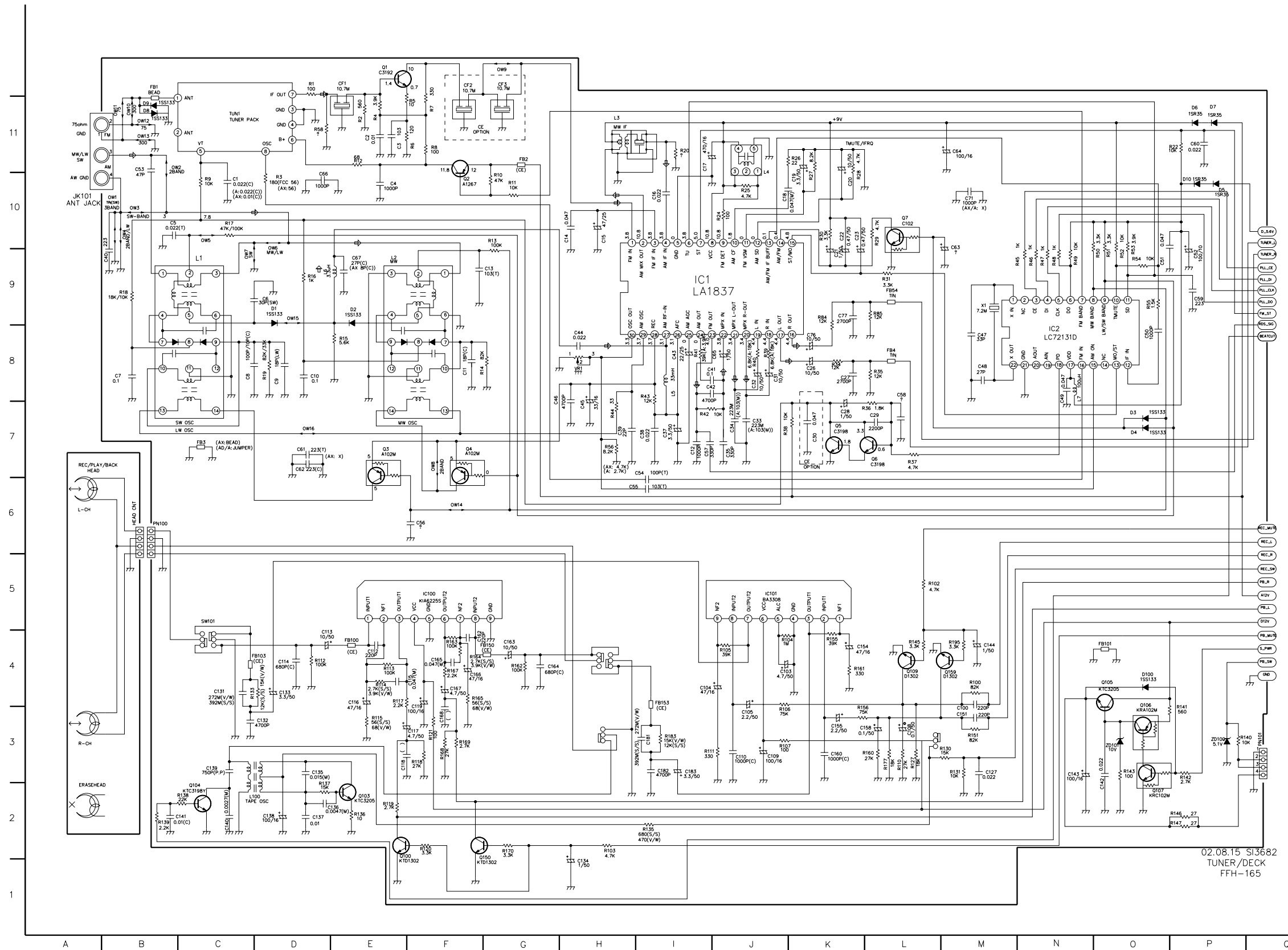


P : POWER SAVING TL : TUNER LW BAND G : GOST-K/R
 N2 : 220V ONLY TS : TUNER SW BAND NCE : NON CE AREA
 N1 : 120V ONLY T0 : DRIFT BAND R : RDS OPTION
 ND : DOUBLE VOLTAGE TJ : JAPAN BAND UL : UL AREA
 O : ONLY D : DE-EMPHASIS 75MICRO SEC CE : CE AREA
 N : NONPOWER SAVING T2 : 2-BAND AX : GOST-K/R
 AS : DECK AUTOSTOP AR : DECK AUTO REVERSE

02.08.15 SI3635
 D.SCHEMATIC
 FFH-165 MAIN

TUNER/DECK SCHEMATIC DIAGRAM

LOCATION GUIDE

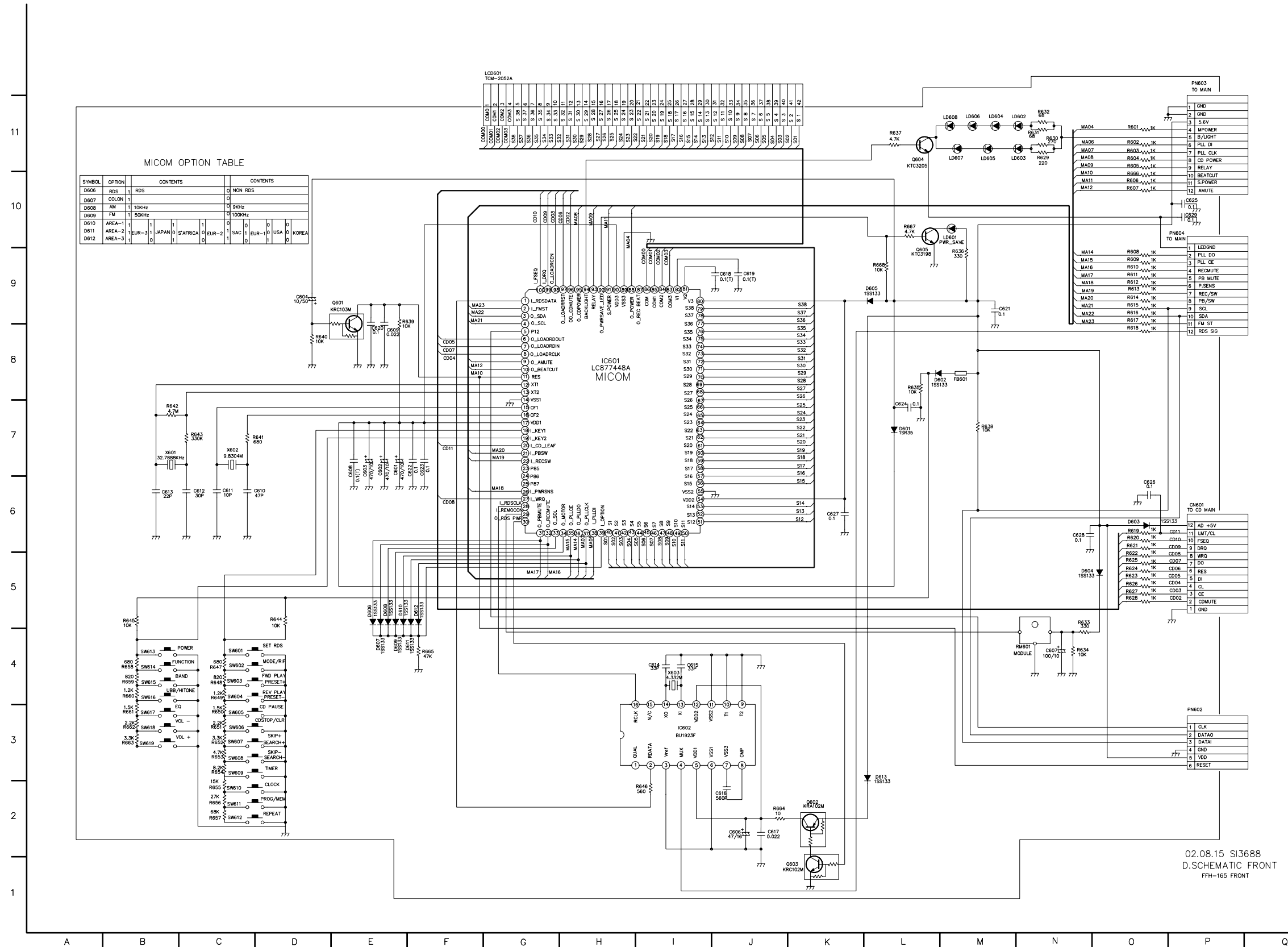


A12V	Q5	CF3	G12	R142	P3
BEATCUT	D8	D1	D9	R143	O3
C10	D10	P10	R145	L4	
C100	D8	D100	O4	R146	P2
C103	J4	D2	E9	R15	E8
C104	I4	D3	O7	R151	M3
C105	J3	D4	O7	R155	K4
C108	L3	D5	P10	R156	K3
C109	J3	D6	P11	R16	O9
C11	F8	D7	P11	R160	K3
C110	J3	D8	B11	R161	K4
C112	E4	D9	B11	R162	G4
C113	D4	D_5.6V	Q10	R163	F4
C114	D4	FB1	B12	R164	F4
C115	F4	FB100	E4	R165	F4
C116	E4	FB101	O4	R167	F4
C117	F3	FB103	C4	R168	F3
C118	E3	FB150	F4	R169	F3
C119	F3	FB153	I4	R17	C10
C12	I7	FB2	G11	R170	G2
C127	M3	FB3	C7	R177	L3
C13	G9	FB4	L8	R18	B9
C131	C4	FB54	L9	R183	I3
C132	D3	FM_ST	O9	R19	D3
C133	D4	GND	O4	R195	M4
C134	H1	IC1	I9	R2	E11
C135	D3	IC100	F5	R20	I11
C136	D2	IC101	J5	R22	P11
C137	D2	IC2	N8	R24	J10
C138	D2	JK101	A10	R25	J10
C139	C3	L1	C9	R26	K11
C14	H10	L100	C2	R27	K10
C140	C2	L2	E9	R28	K10
C141	B2	L3	H11	R29	L10
C142	O2	L4	J10	R3	D10
C143	N3	L5	I8	R30	K10
C144	M4	L6	D9	R31	L9
C15	H10	L7	N8	R34	K8
C151	M3	OW1	B10	R35	L8
C154	K4	OW10	B11	R36	K7
C155	K3	OW11	K3	R37	L7
C158	K3	OW12	B11	R38	J7
C16	I10	OW13	B11	R39	J8
C160	K3	OW14	F6	R4	E11
C162	F4	OW15	D9	R40	J8
C163	G4	OW16	D7	R41	I8
C164	G4	OW2	I11	R42	I7
C165	F4	OW3	B10	R43	I8
C166	F4	OW4	B10	R44	H7
C167	F4	OW5	C10	R45	N9
C168	F3	OW6	D9	R46	N9
C17	I11	OW7	C9	R47	N9
C18	I10	OW8	F7	R48	N9
C181	I3	OW9	G12	R49	N9
C182	I3	PB_L	O5	R5	F11
C183	I3	PB_MUTED4	R50	O9	
C19	K10	PB_R	O5	R51	O9
C2	E11	PB_SW	O4	R52	O9
C20	K10	PLL_CE	O9	R53	O9
C21	K9	PLL_CLKO9	R54	O9	
C22	K10	PLL_DI	O9	R55	O9
C23	K10	PLL_DO	O9	R56	H7
C26	K8	PN100	B6	R58	D11
C27	K8	PN101	O3	R6	F11
C28	K7	O1	E12	R7	F11
C29	L7	O100	E2	R8	F11
C3	E11	O103	E2	R84	K9
C30	K7	O104	C2	R85	L9
C31	J8	O105	O4	R9	C10
C32	J8	O106	O3	RDS_SIG	O8
C33	J7	O107	O2	REC_L	O6
C34	J7	O109	L4	REC_MUT5	
C35	J7	O150	F2	REC_R	O5
C37	I7	O159	M4	REC_SW	O5
C38	I7	O2	F10	SW101	C5
C39	H7	O3	E7	S_PWR	O4
C4	E10	O4	F7	TUN1	C11
C40	B9	O5	K7	TUNER_LO10	
C41	I8	O6	L7	TUNER_R09	
C42	I8	O7	L10	VR1	H8
C43	I8	R1	D12	X1	M9
C44	H8	R10	G10	ZD100	P3
C45	H7	R100	M4	ZD101	O3
C46	G7	R102	L5		
C47	M8	R103	H2		
C48	M8	R104	J4		
C49	N7	R105	J4		
C5	B10	R106	J3		
C50	O8	R107	J3		
C51	O9	R11	G10		
C52	P9	R110	L3		
C53	B11	R111	B3		
C54	H7	R112	D4		
C55	H6	R113	E4		
C56	F6	R114	E4		
C57	I7	R115	E3		
C58	L8	R117	E4		
C59	P9	R118	F3		
C6	D9	R119	E2		
C60	P11	R12	E11		
C61	D7	R120	F2		
C62	D7	R121	F3		
C63	M9	R127	L3		
C64	H11	R13	G10		
C65	J8	R130	L3		
C66	D10	R131	M3		
C67	E9	R133	C4		
C7	B8	R135	I2		
C71	M10	R136	E2		
C76	K8	R137	D2		
C77	K9	R138	C2		
C8	C8	R139	B2		
C9	D8	R14	G8		
CF1	E12	R140	P3		
CF2	F12	R141	P3		

02.08.15 SI3682
TUNER/DECK
FFH-165

• FRONT SCHEMATIC DIAGRAM

LOCATION GUIDE

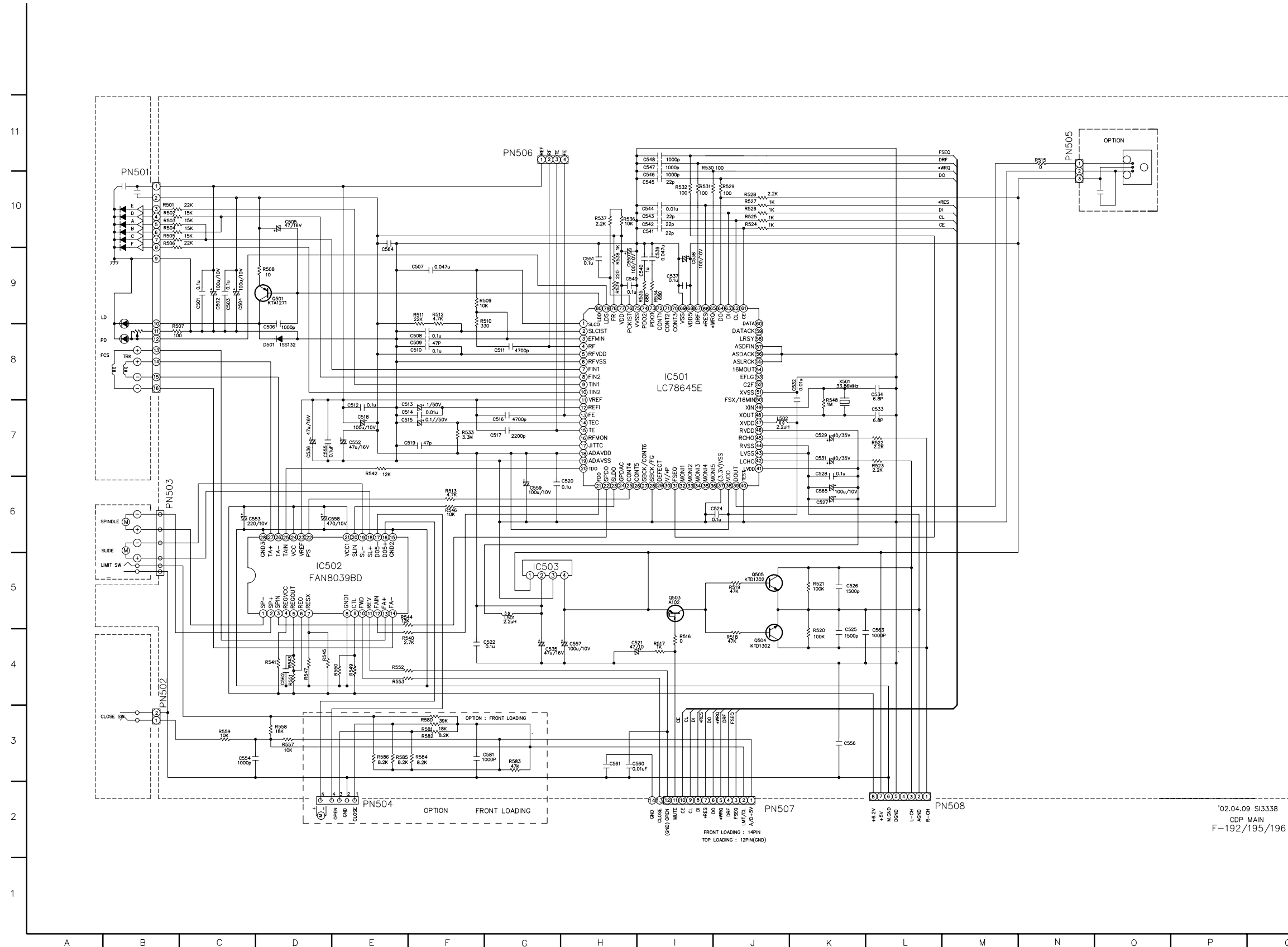


C601	E7	MA23	F9	S19	I11
C602	E7	MA23	N9	S20	K7
C603	E6	PN602	P3	S20	I11
C604	D9	PN603	P12	S21	K7
C606	J2	PN604	P10	S21	I11
C607	N4	Q601	E9	S22	K7
C608	E6	Q602	K2	S22	I11
C609	E8	Q603	J1	S23	K7
C610	C6	Q604	L11	S23	H11
C611	C6	Q605	L9	S24	K7
C612	C6	R601	O11	S24	H11
C613	B6	R602	O11	S25	K7
C614	I4	R603	O11	S25	H11
C615	I4	R604	O11	S26	K8
C616	J2	R605	O11	S26	H11
C617	J2	R606	O10	S27	K8
C618	J9	R607	O10	S27	H11
C619	J9	R608	O9	S28	K8
C620	E8	R609	O9	S28	H11
C621	M9	R610	O9	S29	K8
C622	F7	R611	O9	S29	H11
C623	F7	R612	O9	S30	K8
C624	L7	R613	O9	S30	H11
C625	P10	R614	O9	S31	K8
C626	O6	R615	O9	S31	H11
C627	K6	R616	O9	S32	K8
C628	N6	R617	O9	S32	H11
C629	P10	R618	O8	S33	K8
C630	P5	R619	O6	S33	G11
CD02	H10	R620	O6	S34	K8
CD03	P5	R621	O6	S34	G11
CD03	G10	R622	O5	S35	K8
CD04	P5	R623	O5	S35	G11
CD04	F8	R624	O5	S36	K9
CD05	P5	R625	O5	S36	G11
CD05	F8	R626	O5	S37	K9
CD06	P5	R627	O5	S37	G11
CD06	H10	R628	O5	S38	K9
CD07	P5	R629	N11	S38	G11
CD07	F8	R630	N11	SW601	C4
CD08	P5	R631	N11	SW602	C4
CD08	F6	R632	N11	SW603	C4
CD09	P6	R633	N5	SW604	C4
CD09	G10	R634	N4	SW605	C3
CD10	P6	R635	L8	SW606	C3
CD10	G10	R636	M9	SW607	C3
CD11	P6	R637	L11	SW608	C3
CD11	F7	R638	M7	SW609	C3
CN601	P6	R639	E9	SW610	C2
COM00	G11	R640	D8	SW611	C2
COM00	I9	R641	C7	SW612	B4
COM01	G11	R642	B7	SW613	B4
COM01	I9	R643	C7	SW614	B4
COM02	G11	R644	D5	SW615	B4
COM02	I9	R645	B5	SW616	B4
COM03	G11	R646	I2	SW617	B3
COM03	I9	R647	C4	SW618	B3
D601	L7	R648	C4	SW619	B3
D602	L8	R649	C4	X601	B7
D603	O6	R650	C3	X602	C7
D604	N5	R651	C3	X603	I4
D605	L9	R652	C3		
D606	E5	R653	C3		
D607	E4	R654	C3		
D608	E5	R655	C2		
D609	E4	R656	C2		
D610	E5	R657	C2		
D611	F4	R658	B4		
D612	F5	R659	B4		
D613	L3	R660	B4		
FB601	M8	R661	B3		
IC601	H8	R662	B3		
IC602	I3	R663	B3		
LD601	G12	R664	J2		
LD601	M10	R665	F4		
LD602	M11	R666	O10		
LD603	M11	R667	L10		
LD604	M11	R668	L9		
LD605	M11	RM601	N4		
LD606	M11	S01	H6		
LD607	M11	S01	K11		
LD608	M11	S02	H6		
MA04	N11	S02	K11		
MA04	H9	S03	H6		
MA06	H6	S03	J1		
MA06	N11	S05	H6		
MA07	N11	S04	J1		
MA07	H6	S05	I6		
MA08	N11	S05	J1		
MA08	H10	S06	I6		
MA09	N11	S06	J1		
MA09	H10	S07	I6		
MA10	N10	S07	J1		
MA10	F8	S08	I6		
MA11	N10	S08	J1		
MA11	H10	S09	I6		
MA12	N10	S09	J1		
MA12	F8	S10	I6		
MA14	N9	S10	J1		
MA14	H6	S11	I6		
MA15	N9	S11	J1		
MA15	H6	S12	K6		
MA16	N9	S12	J1		
MA16	G5	S13	K6		
MA17	N9	S13	I11		
MA17	G5	S14	K6		
MA18	N9	S14	I11		
MA18	G6	S15	K6		
MA19	N9	S15	I11		
MA19	G7	S16	K7		
MA20	G7	S16	I11		
MA20	N9	S17	K7		
MA21	N9	S17	I11		
MA21	F9	S18	K7		
MA22	N9	S18	I11		
MA22	F9	S19	K7		

02.08.15 SI3688
D.SCHEMATIC FRONT
FFH-165 FRONT

• CDP SCHEMATIC DIAGRAM

LOCATION GUIDE



•RES	L10	R520	K4
•RES	I3	R521	K5
•WRQ	L11	R522	L7
•WRQ	J3	R523	L7
C501	C9	R524	J10
C502	C9	R525	J10
C503	C9	R526	J10
C504	C9	R527	J10
C505	D10	R528	J10
C506	D8	R529	J10
C507	F9	R530	I11
C508	F8	R531	I10
C509	F8	R532	I10
C510	F8	R533	F7
C511	G8	R534	I9
C512	E7	R535	I9
C513	E7	R536	H10
C514	E7	R537	H10
C515	E7	R538	H9
C516	G7	R539	H9
C517	G7	R540	E4
C518	E7	R541	D4
C519	E7	R542	E7
C520	H6	R543	D4
C521	H4	R544	E5
C522	F4	R545	D4
C524	I6	R546	F6
C525	K4	R547	D4
C526	K5	R548	K7
C527	K6	R549	E4
C528	K7	R550	E4
C529	K7	R551	D4
C531	K7	R552	E4
C532	K8	R553	E4
C533	L7	R557	D3
C534	L8	R558	D3
C535	G4	R559	C3
C536	D7	R580	F3
C537	I9	R581	F3
C538	I9	R582	F3
C539	I9	R583	G3
C540	I9	R584	F3
C541	I10	R585	E3
C542	I10	R586	E3
C543	I10	R586	E3
C544	I10	X501	K6
C545	I10		
C546	I10		
C547	I11		
C548	I11		
C549	H9		
C550	H9		
C551	H9		
C552	E7		
C553	C6		
C554	C3		
C555	D7		
C556	K3		
C557	H4		
C558	D6		
C559	G6		
C560	H3		
C561	H3		
C562	D4		
C563	L4		
C564	E9		
C565	K6		
C581	F3		
CE	L10		
CE	I3		
CL	L10		
CL	I3		
D501	D8		
DI	L10		
DI	L10		
DO	L10		
DO	I3		
DRF	L11		
DRF	J3		
FSEQ	L11		
IC501	I8		
IC502	D5		
IC503	G5		
L501	G5		
L502	J7		
PN501	B10		
PN502	B3		
PN503	B6		
PN504	E2		
PN505	N11		
PN506	G11		
PN507	J2		
PN508	L2		
Q501	D9		
Q503	I5		
Q504	J4		
Q505	J5		
R501	B10		
R502	B10		
R503	B10		
R504	B10		
R505	B10		
R506	B10		
R507	B8		
R508	D9		
R509	F9		
R510	F9		
R511	F9		
R512	F9		
R513	F6		
R515	N11		
R516	I4		
R517	I4		
R518	J4		
R519	J5		

'02.04.09 SI3338
CDP MAIN
F-192/195/196