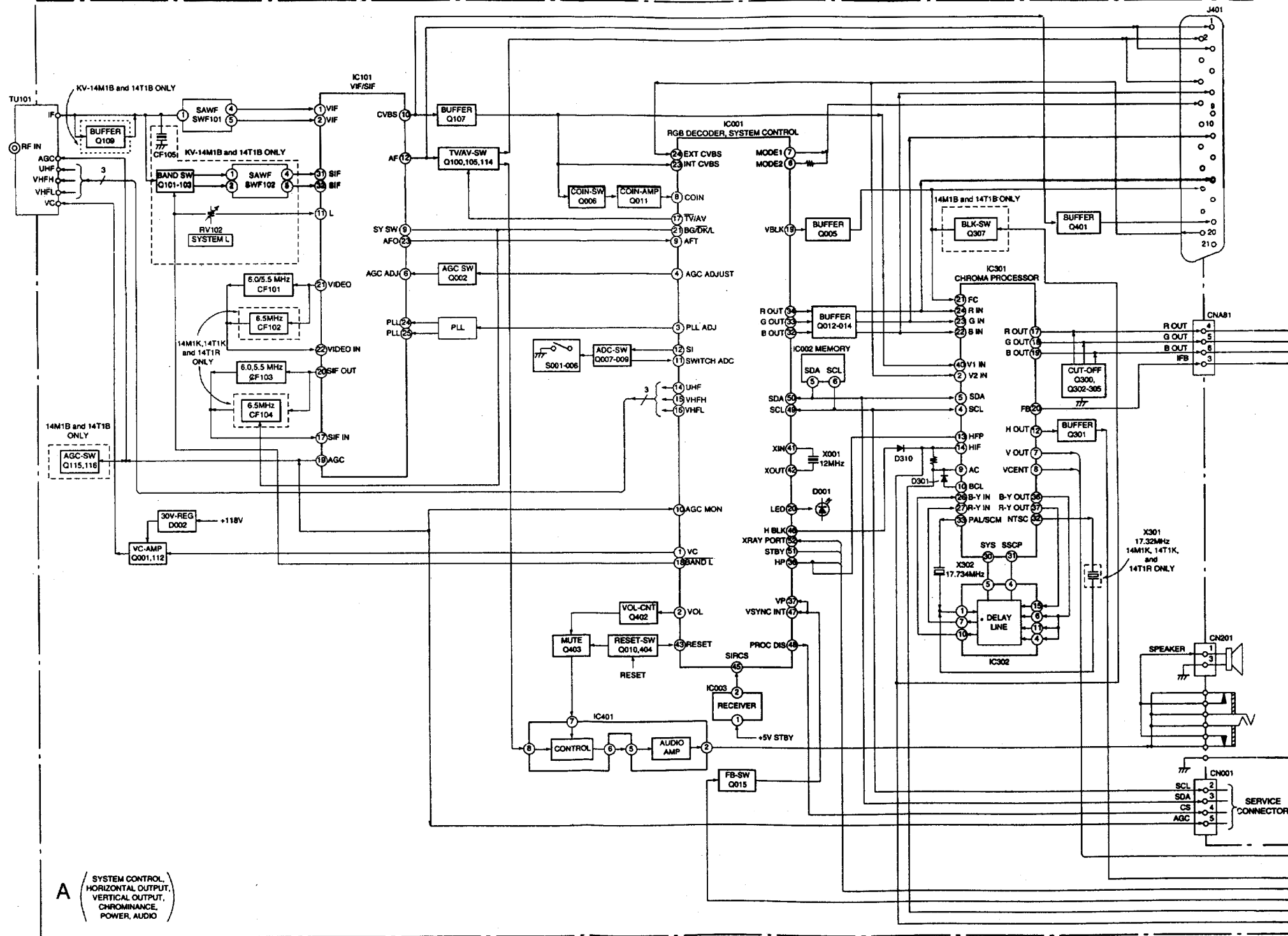
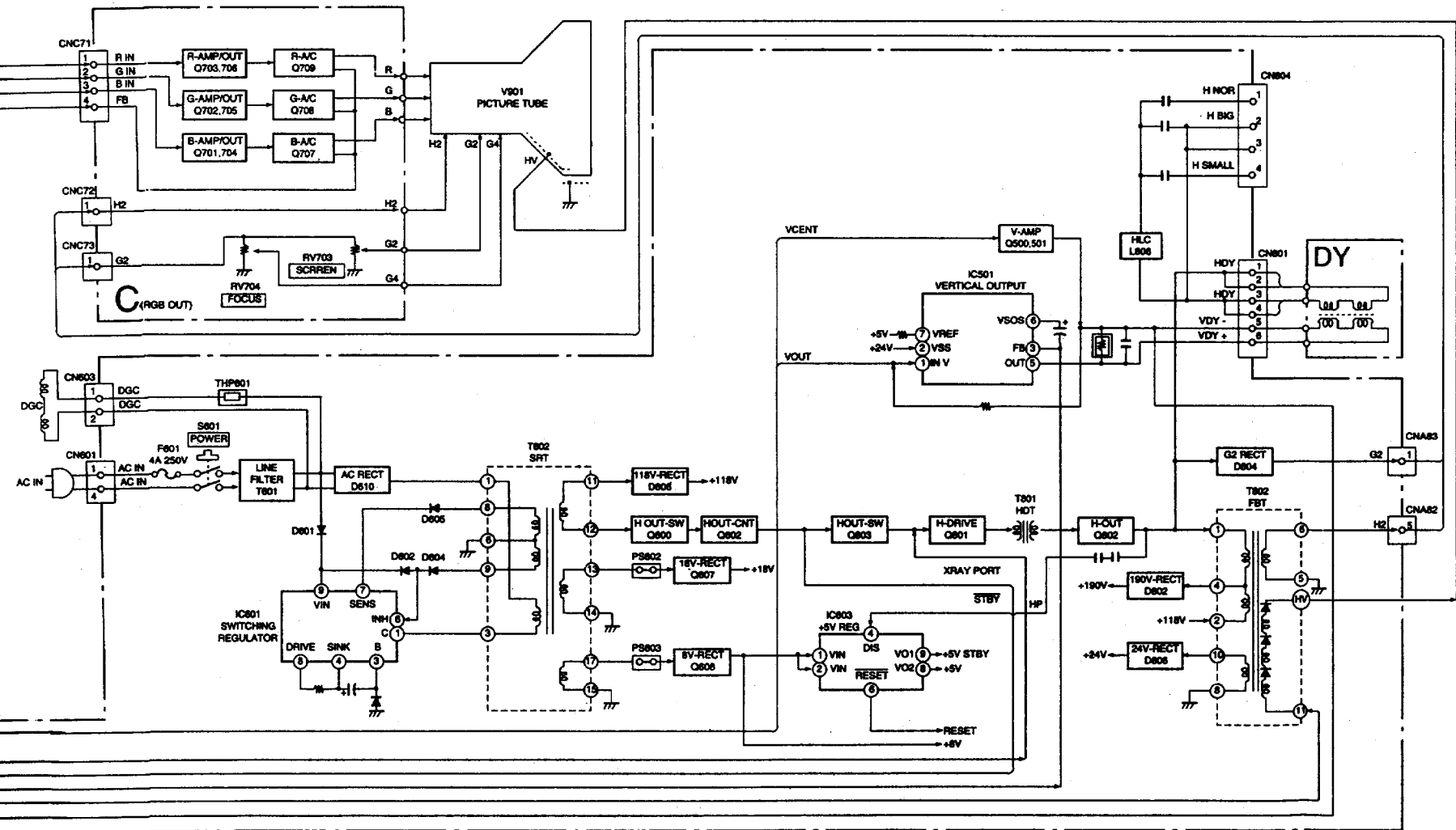


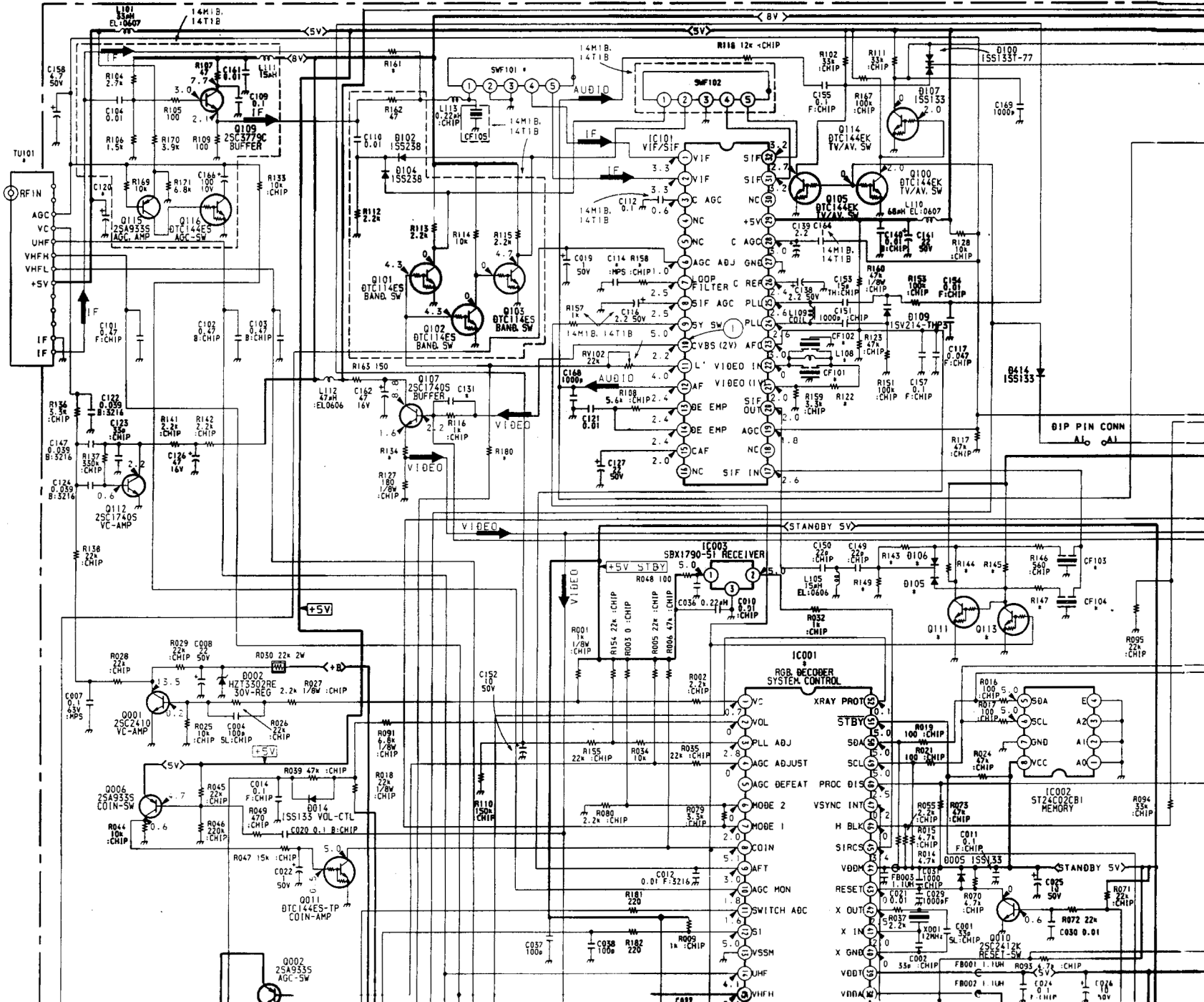
TRINITRON® COLOR TV
SONY®

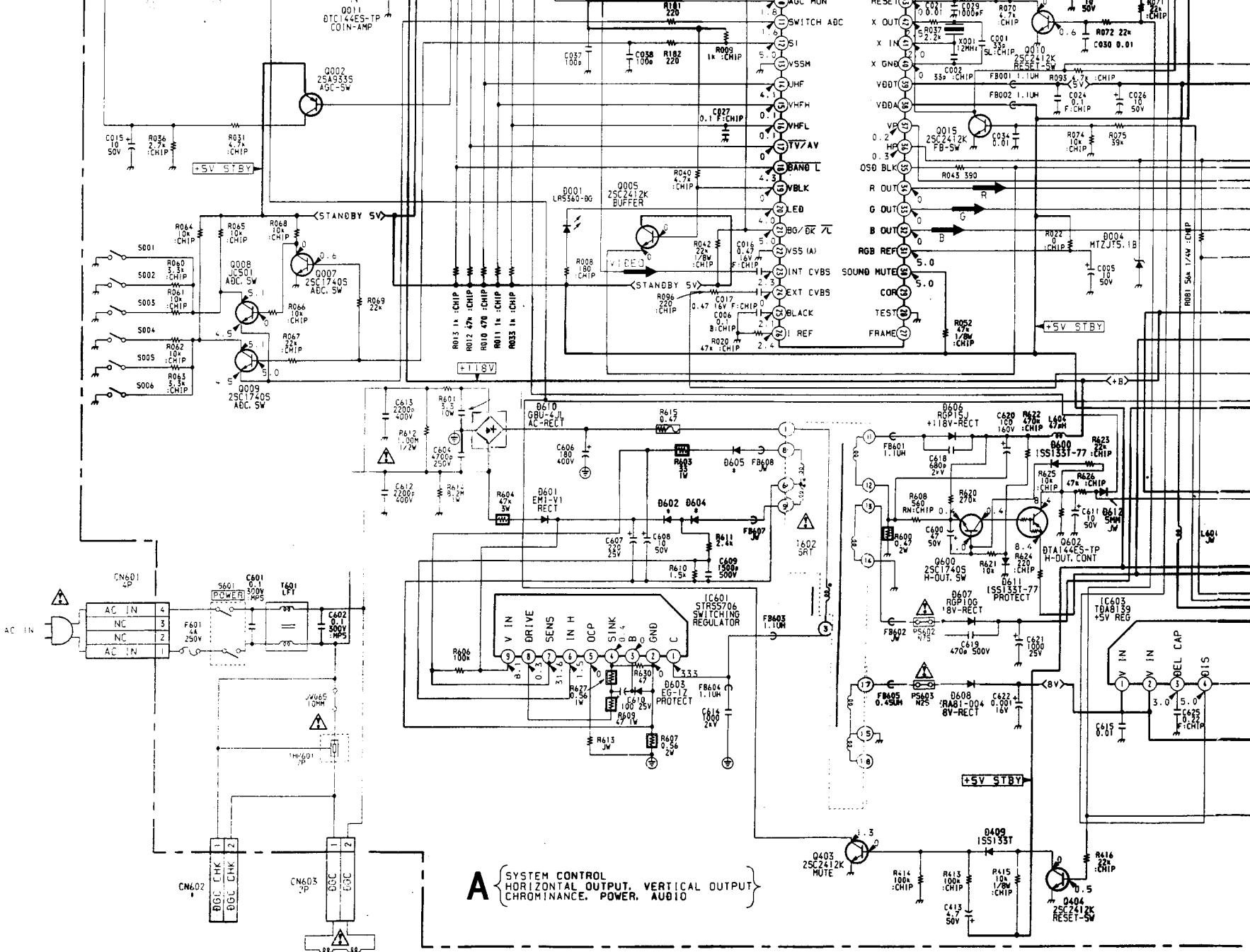
KV-14M1A
KV-14T1A
KV-14M1B
KV-14T1B
KV-14M1D
KV-14T1D
KV-14M1E
KV-14T1E
KV-14M1K
KV-14T1K
KV-14M1L
KV-14T1L
KV-14T1R
KV-14M1U
KV-14T1U

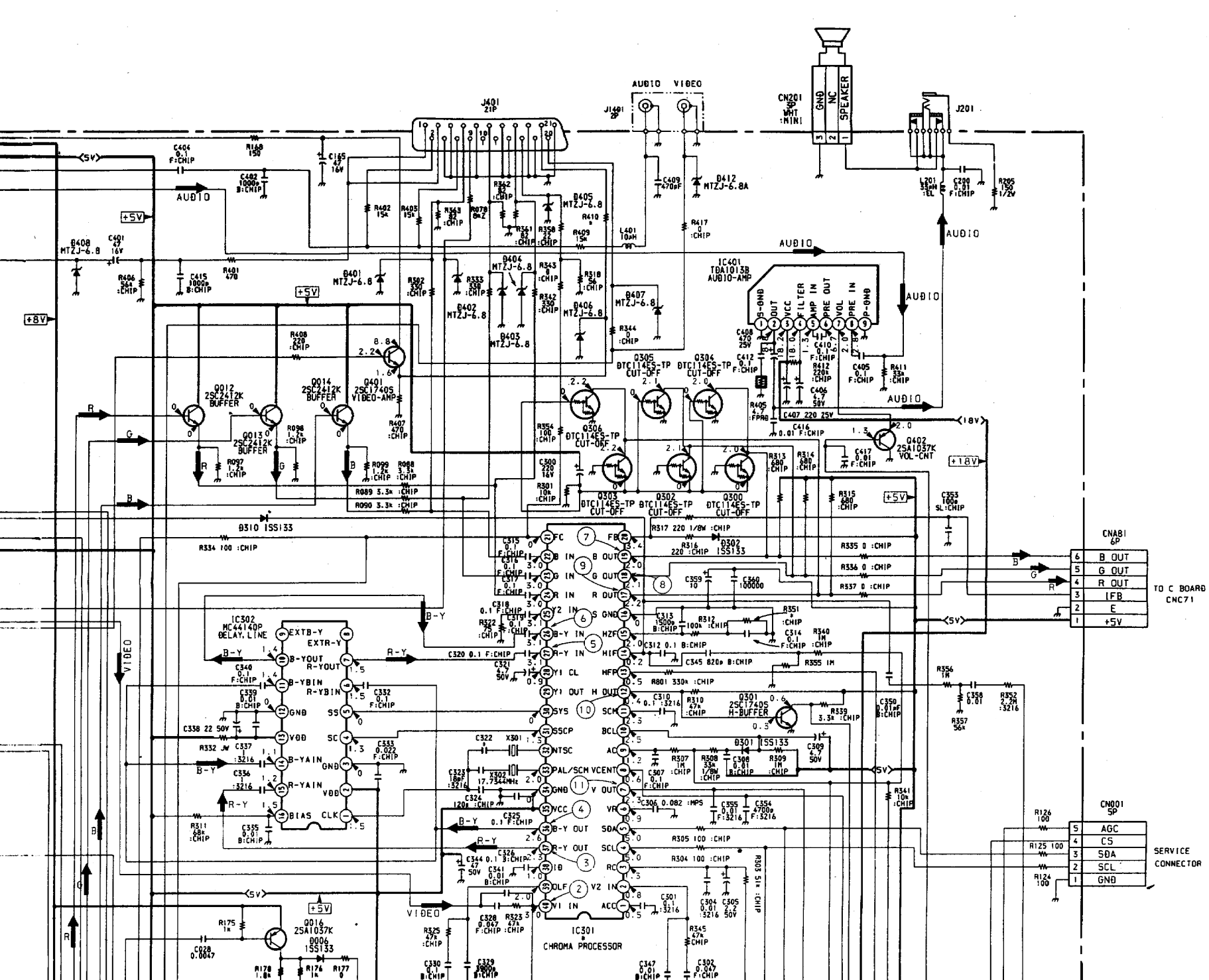
RM-836
RM-836
RM-836
RM-836
RM-836
RM-836
RM-836
RM-836
RM-836
RM-836
RM-836
RM-836
RM-836
RM-836









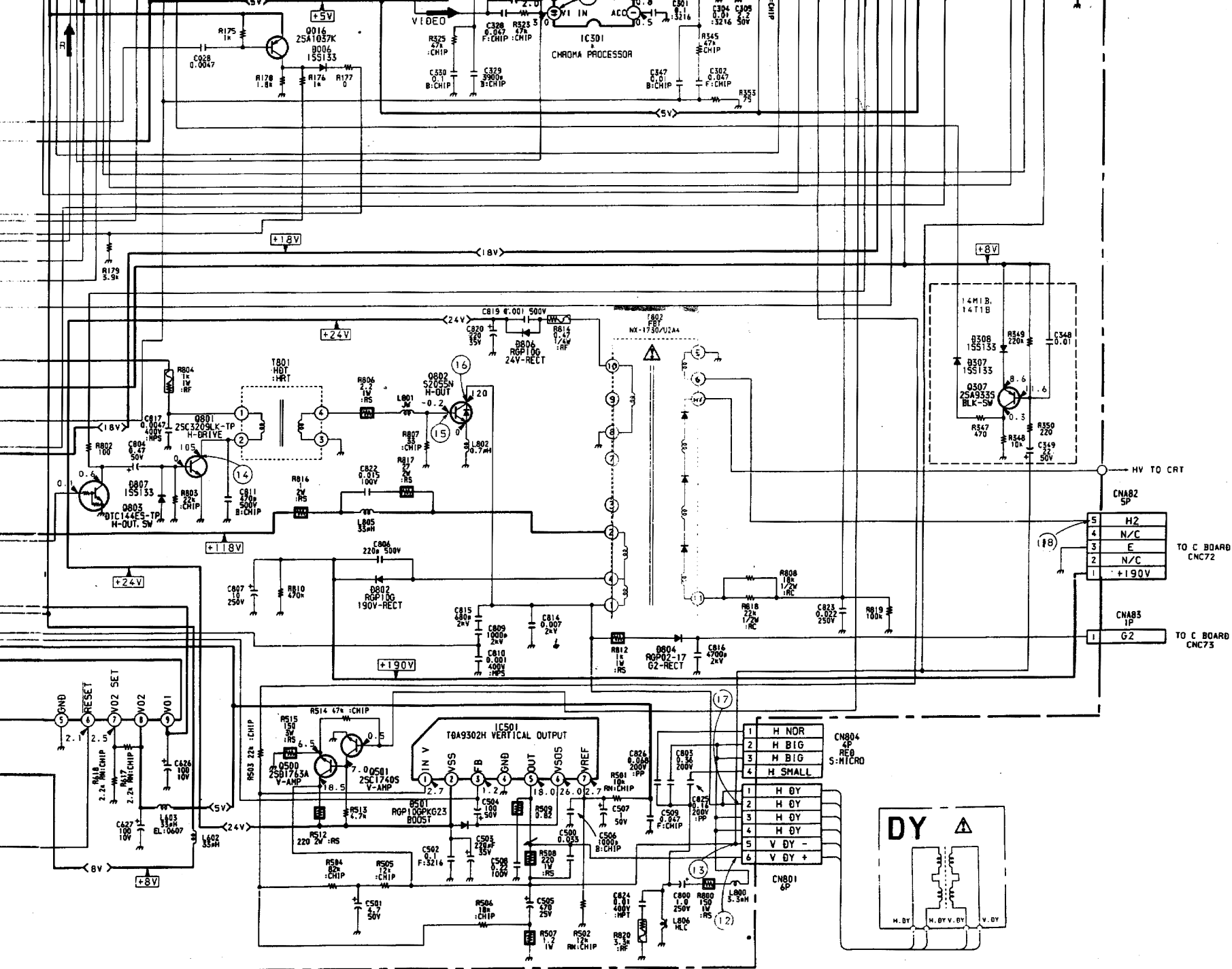


6	B OUT
5	G OUT
4	R OUT
3	IFB
2	E
1	+5V

TO C BOARD
CNC71

5	AGC
4	CS
3	SDA
2	SCL
1	GND

SERVICE
CONNECTOR



CN82 5P

5	H2
4	N/C
3	E
2	N/C
1	+190V

TO C. BOARD CN72

CN83 1P

1	G2
---	----

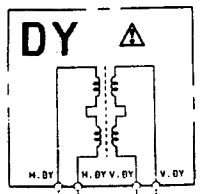
TO C. BOARD CN73

CN84 4P REO S-MICRO

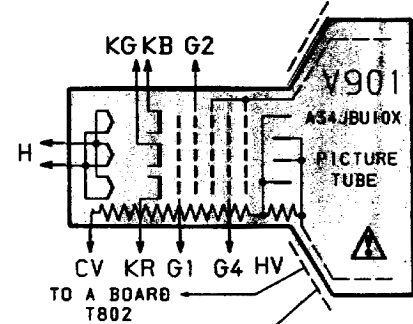
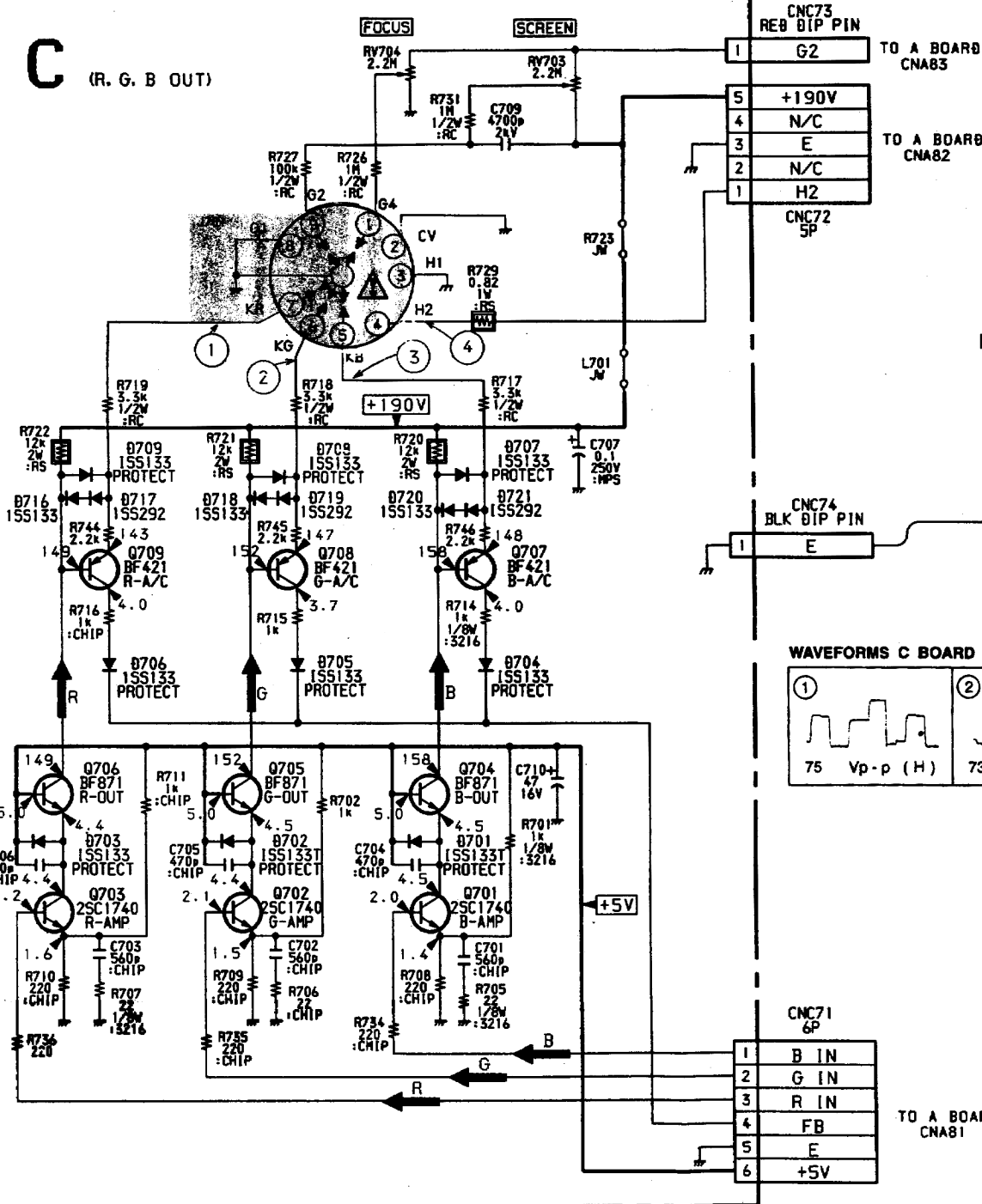
1	H NOR
2	H BIG
3	H BIG
4	H SMALL

CN81 6P

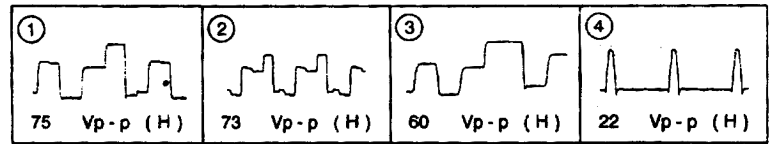
1	H DY
2	H DY
3	H DY
4	H DY
5	V DY -
6	V DY +



C (R. G. B OUT)



WAVEFORMS C BOARD



CNC71 6P

1	B IN
2	G IN
3	R IN
4	FB
5	E
6	+5V

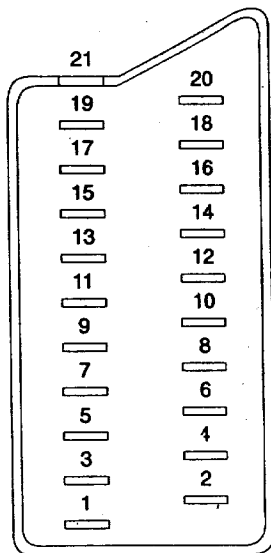
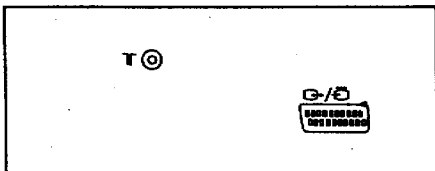
TO A BOARD CNA81

CNC73 REB DIP PIN

1	G2
5	+190V
4	N/C
3	E
2	N/C
1	H2

CNC72 5P

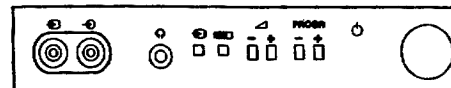
21 pin connector (- 1)



Pin No.	1	2	4	Signal	Signal Level
1	○	○	○	Audio output B (Right)	Standard level : 0.5V rms Output Impedance : Less than 1k ohm*
2	○	○	○	Audio input B (Right)	Standard level : 0.5V rms Output Impedance : More than 10k ohm*
3	○	○	○	Audio output A (Left)	Standard level : 0.5V rms Output Impedance : Less than 1k ohm*
4	○	○	○	Ground (Audio)	
5	○	○	○	Ground (Blue)	
6	○	○	○	Audio input A (Left)	Standard level : 0.5V rms Output Impedance : Less than 10k ohm*
7	○	●	●	Blue input	0.7 ± 3dB, 75 ohms, positive
8	○	○	○	Function select (AV control)	High state (9.5 - 12V) : Part mode Low state (0 - 2V) : TV mode Input impedance : More than 10k ohms Input capacitance : Less than 2nF
9	○	○	○	Ground (Green)	
10	○	○	○	Open	
11	○	●	●	Green	
12	○	○	○	Open	
13	○	○	○	Ground (Red)	
14	○	○	○	Ground (Blanking)	
15	○	—	—	Red input	0.7 ± 3dB, 75 ohms, positive
16	○	○	○	(S signal) chroma input	0.7 ± 3dB, 75 ohms, positive
17	○	○	○	Blanking input (Y's signal)	High state (1 - 3V) Low state (0 - 0.4V) Input impedance : 75 ohms
18	○	○	○	Ground (Video output)	
19	○	○	○	Ground (Video input)	
20	○	○	○	Video output	1V ± 3dB, 75ohms, positive sync : 0.3V (-3 + 10dB)
20	○	○	○	Video input	1V ± 3dB, 75ohms, positive sync : 0.3V (-3 + 10dB)
20	○	○	○	Video input Y (S signal)	1V ± 3dB, 75ohms, positive sync : 0.3V (-3 + 10dB)
21	○	○	○	Common ground (plug, shield)	

○ Connected ● Not Connected (Open) * at 20Hz - 20kHz

Pin No.	Signal	Signal Level
1	Ground	
2	Ground	
3	Y (S signal) input	1V ± 3dB 75 ohm, positive Sync. 0.3V -3 + 10dB
4	C (S signal) input	0.3V ± 3dB 75ohm, positive Sync.



WAVEFORMS A BOARD

