

IC102  
MC7812

1	IN PUT
6	GND
0	OUT PUT

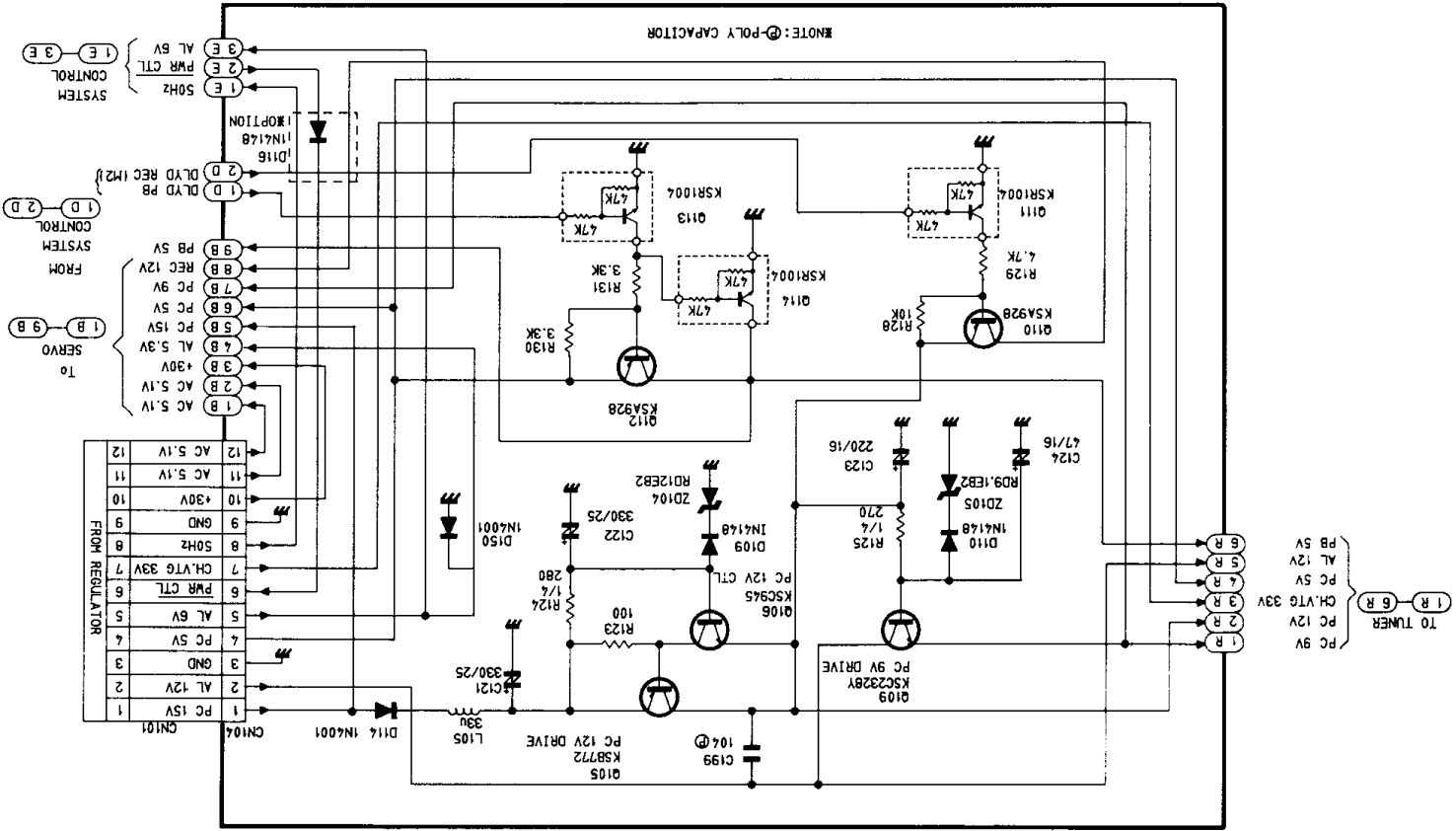
CN102

CN104

1	PC 15V
2	AL 12V
3	GND
4	PC 5V
5	AL 6V
6	PMR CTL
7	CH.VTG 33V
8	50HZ
9	GND
10	+30V
11	AC 5.1V
12	AC 5.1V

T0 REGULATION

# 10-2. Power

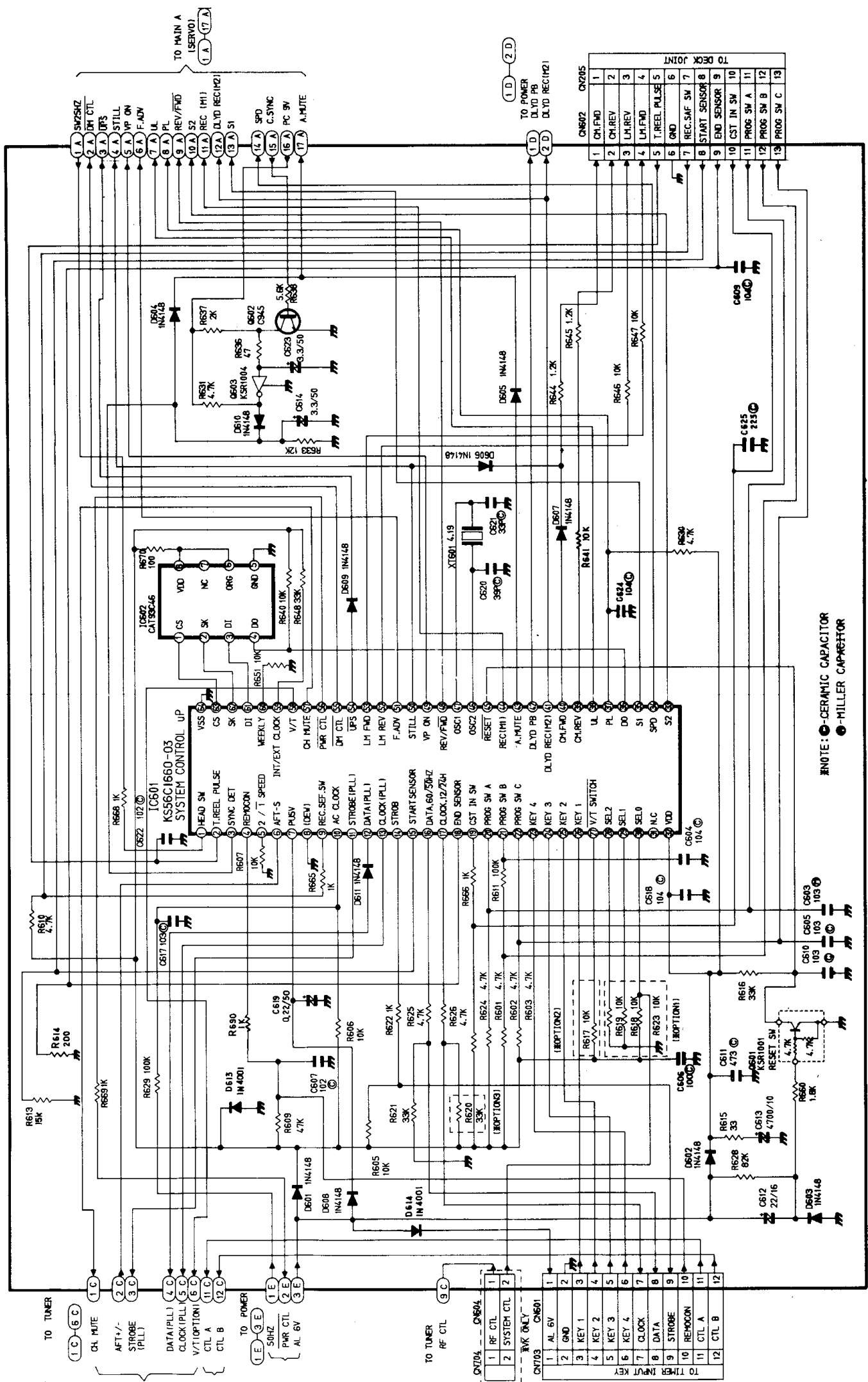


Regulator and power C.B.A.

MODE	STOP	PLAY	REC	LOCANO
Q105	15 14 13	15 14 13	15 14 13	
Q106	12 14 13	12 14 13	12 14 13	
Q107	9 9 12	9 9 12	9 9 12	
Q109	8 9 12	8 9 12	8 9 12	
Q110	12 12 12	12 12 12	12 12 12	
Q111	0 0 0	0 0 12	0 0 5 0	
Q112	0 0 5	0 0 5	0 0 5	
Q113	0 0 5	0 0 5	0 0 5	
Q114	0 0 5	0 0 5	0 0 5	

**NOTE**  
Do not use the part number shown on this drawing for ordering. The correct part number is shown in the parts list. And may be slightly different or amended since this drawing was prepared.

**SPECIAL NOTE**  
All integrated circuits and many other semiconductor devices are electrostatically sensitive and therefore require the special handling techniques described under the "electrostatically sensitive (ES) devices" section of this service manual.



TO TUNER  
 (1C) (5C)  
 CH. MUTE  
 AFT+/- STROBE (PLL)  
 DATA (PLL)  
 CLOCK (PLL)  
 V/T (OPTION)  
 CTL A  
 CTL B  
 (12C)

TO MAIN A (SERVO)  
 (1A) (17A)

TO TUNER  
 RF CTL  
 (9C)

TO POWER  
 50HZ  
 PWR CTL  
 AL 6V

TO DECK JOINT  
 (1D) (2D)

TO DECK JOINT  
 (1A) (17A)

TO TUNER  
 RF CTL  
 (9C)

TO POWER  
 50HZ  
 PWR CTL  
 AL 6V

TO DECK JOINT  
 (1D) (2D)

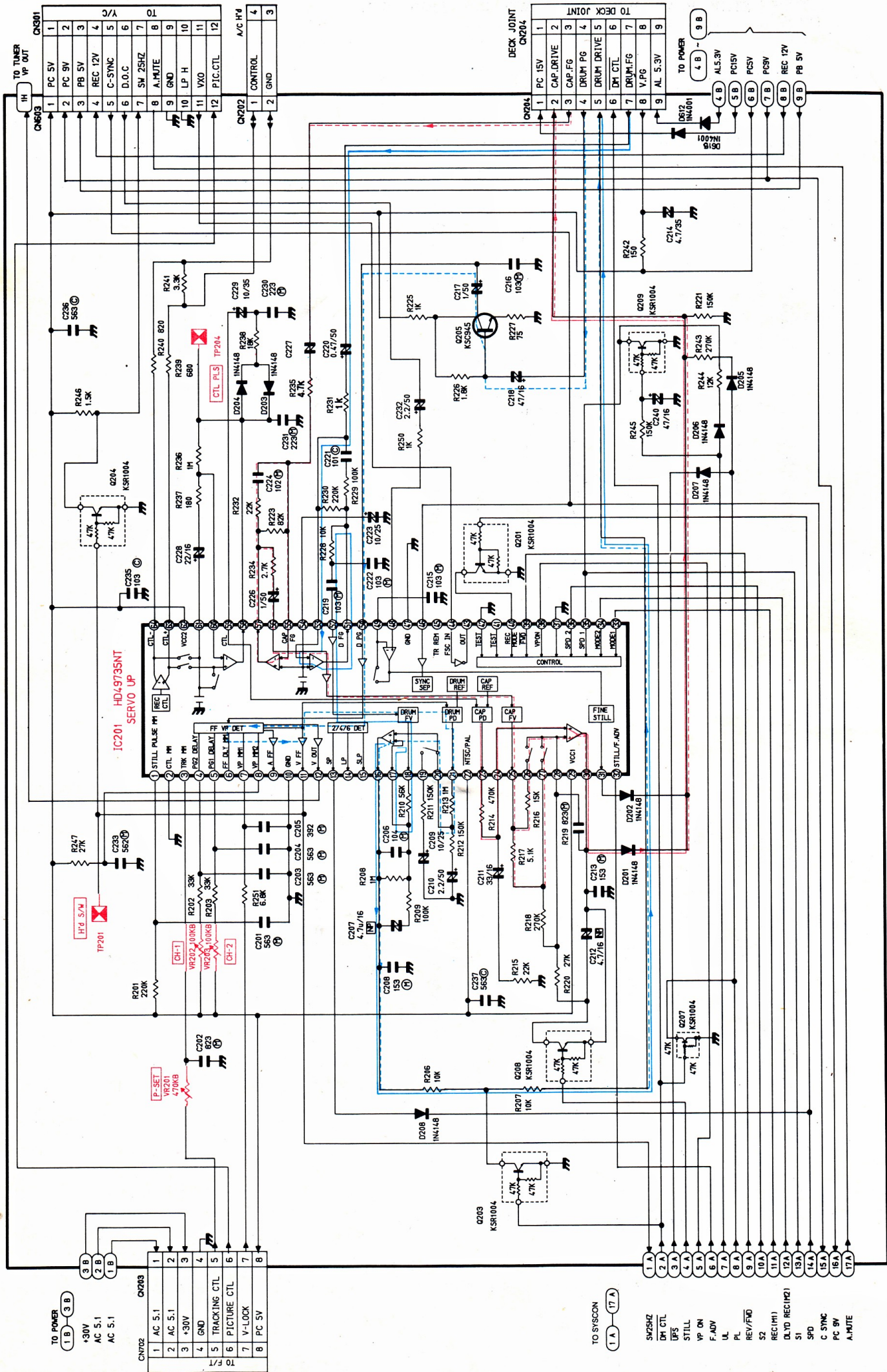
TO DECK JOINT  
 (1A) (17A)

NOTE: CERAMIC CAPACITOR  
 MILLER CAP-REHOR

IC 601 [MAIN-A C.B.A. (SYSTEM CONTROL)]									
MODE PIN NO	STOP	PLAY	REC	REW	FWD	RPS	JRPS	JFPS	STILL
1	5	-	-	5	5	-	-	-	-
2	0	-	-	-	-	-	-	-	5
3	5.8	0	0	0	5.8	0	0	0	0
4	5	5	5	5	5	5	5	5	5
5	0	0	0	0	0	0	0	0	0
6	4.7	4.7	4.7	4.7	4.7	4.7	4.7	4.7	4.7
7	5.5	5.5	5.5	5.5	5.5	5.5	5.5	5.5	5.5
8	0	0	0	0	0	0	0	0	0
9	0	0	5	0	0	0	0	0	0
10	-	-	-	-	-	-	-	-	-
11	0	0	0	0	0	0	0	0	0
12	0	0	0	0	0	0	0	0	0
13	0	0	0	0	0	0	0	0	0
14	-	-	-	-	-	-	-	-	-
15	0	0	0	0	0	0	0	0	0
16	-	-	-	-	-	-	-	-	-
17	-	-	-	-	-	-	-	-	-
18	0	0	0	0	0	0	0	0	0
19	5	5	5	5	5	5	5	5	5
20	0	5	5	5	5	0	5	5	5
21	4.5	0	0	0	0	4.8	0	0	0
22	0	5	5	0	0	5	5	5	5
23	0	0	0	0	0	0	0	0	0
24	0	0	0	0	0	0	0	0	0
25	0	0	0	0	0	0	0	0	0
26	0	0	0	0	0	0	0	0	0
27	5	5	5	5	5	5	5	5	5
28	0	0	0	0	0	0	0	0	0
29	0	0	0	0	0	0	0	0	0
30	5	5	5	5	5	5	5	5	5
31	0	0	0	0	0	0	0	0	0
32	5	5	5	5	5	5	5	5	5
33	0	0	0	5	5	5	0	0	0
34	5	4.6	5	5	5	4.6	4.6	4.6	4.6
35	0	0	0	0	0	0	5	5	0
36	5	5	5	5	5	5	5	5	5
37	0	0	0	0	0	0	0	0	0
38	0	0	0	0	0	0	0	0	0
39	0	0	0	5	0	5	5	0	0
40	0	5	5	0	5	0	0	5	0
41	0	0	5	0	0	0	0	0	0
42	0	5	0	0	0	5	5	5	5
43	0	0	0	0	0	5	5	5	5
44	0	0	5	0	0	0	0	0	0
45	5	5	5	5	5	5	5	5	5
46	-	-	-	-	-	-	-	-	-
47	-	-	-	-	-	-	-	-	-
48	0	0	0	5	0	5	5	0	0
49	0	0	0	5	5	5	5	5	5
50	0	0	0	0	0	0	0	0	5
51	0	0	0	0	0	0	0	0	5
52	0	5	5	5	5	5	5	5	5
53	0	5	5	5	5	5	5	5	5
54	0	5	5	5	5	5	5	5	0
55	5	0	0	5	5	0	0	0	0
56	0	0	0	0	0	0	0	0	0
57	0	0	0	0	0	0	0	0	0
58	0	5	5	5	5	5	5	5	5
59	0	0	0	0	0	0	0	0	0
60	0	0	0	0	0	0	0	0	0
61	0	0	0	0	0	0	0	0	0
62	0	0	0	0	0	0	0	0	0
63	0	0	0	0	0	0	0	0	0
64	0	0	0	0	0	0	0	0	0

MAIN - A (SYSTEM CONTROL) C.B.A.																																				
MODE LOCA.NO	STOP			PLAY			REC			REW			F.F			RPS			FPS			J.RPS			J.FPS			STILL								
	E	B	C	E	B	C	E	B	C	E	B	C	E	B	C	E	B	C	E	B	C	E	B	C	E	B	C	E	B	C	E	B	C			
Q601	0	0	5	0	0	5	0	0	5	0	0	5	0	0	5	0	0	5	0	0	5	0	0	5	0	0	5	0	0	5	0	0	5	0	0	5
Q602	0	1	0	0	1	0	0	1	0	0	1	0	0	1	0	0	0	0	0	0	0	0	0	0	0	0	0	0	0	0	0	0	0	0	0	0
Q603	0	0	2	0	1	2	0	0	1	0	0	2	0	0	2	0	1	2	0	1	2	0	1	2	0	1	2	0	1	2	0	1	2	0	1	2

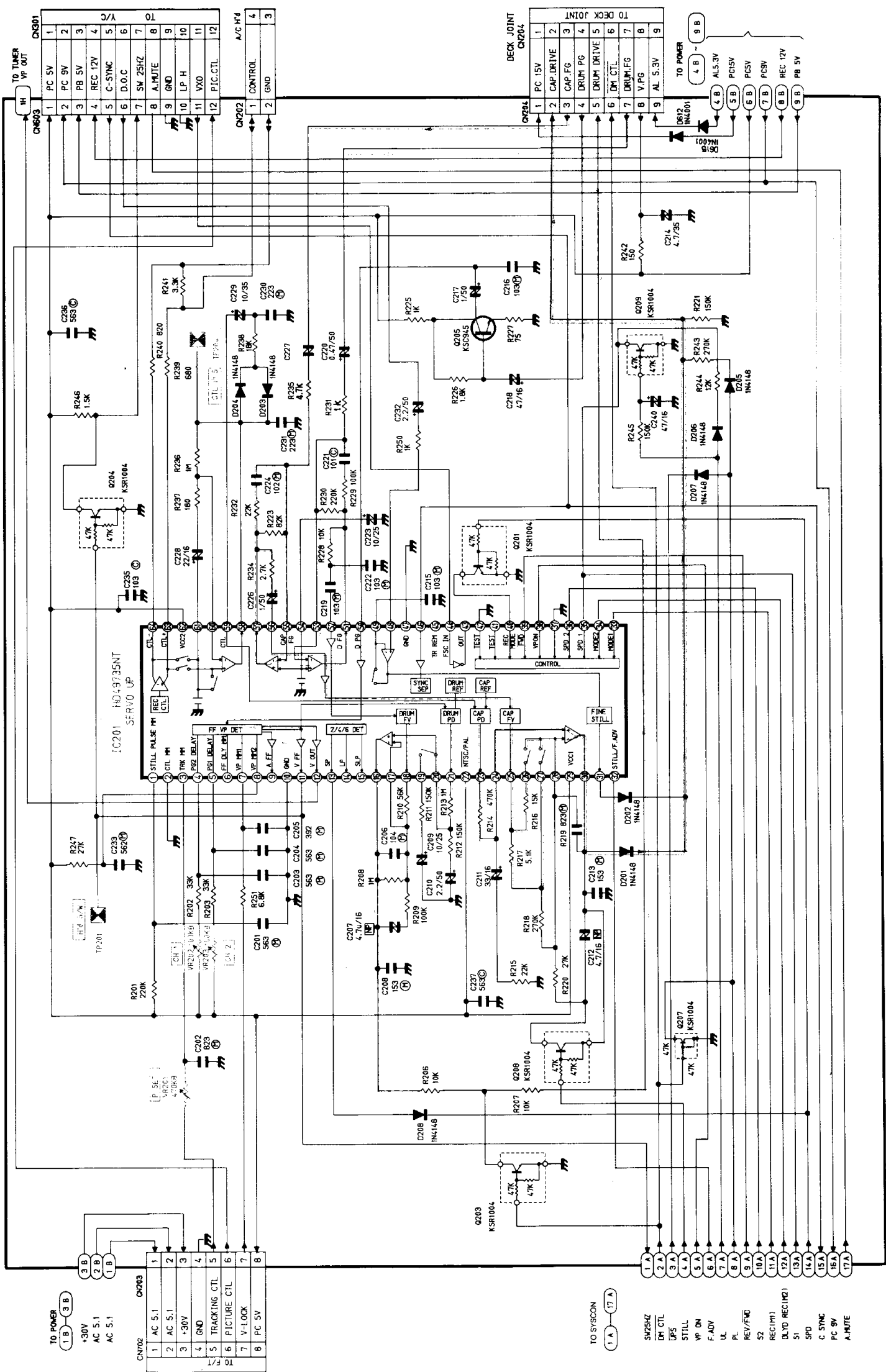
# 10-4. Servo



--- RED CAPSTAN PHASE CONTROL  
- - - DASHED RED CAPSTAN SPEED CONTROL  
--- BLUE DRUM PHASE CONTROL  
- - - DASHED BLUE DRUM SPEED CONTROL

**NOTE**  
 Do not use the part number shown on this drawing for ordering. The correct part number is shown in the parts list. And may be slightly different or amended since this drawing was prepared.

**SPECIAL NOTE**  
 All integrated circuits and many other semiconductor devices are electrostatically sensitive and therefore require the special handling techniques described under the "electrostatically sensitive (ES) devices" section of



TO POWER  
 1 B 3 B  
 +30V  
 AC 5.1  
 AC 5.1

CN702  
 1 AC 5.1  
 2 AC 5.1  
 3 +30V  
 4 GND  
 5 TRACKING CTL  
 6 PICTURE CTL  
 7 V-LOCK  
 8 PC 5V

TO SYSOON  
 1 A 17 A

1 A SW2SHZ  
 2 A DM CTL  
 3 A UP5  
 4 A STILL  
 5 A VP ON  
 6 A F.ADV  
 7 A PL  
 8 A REV/FWD  
 9 A S2  
 10 A REC(HT)  
 11 A DELY REC(HT)  
 12 A S1  
 13 A SPD  
 14 A PC 5V  
 15 A C SYNC  
 16 A A.MTE  
 17 A

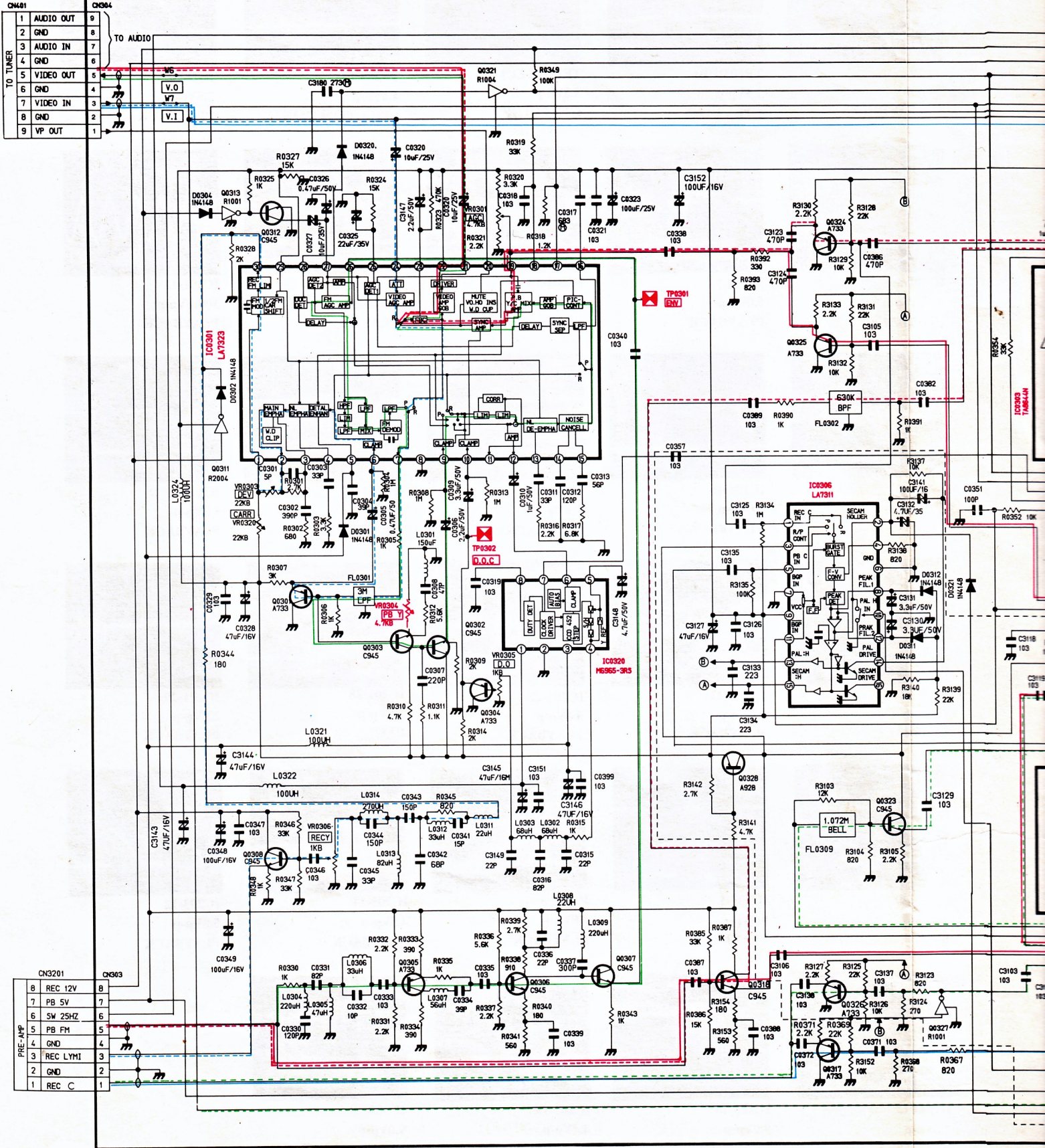
SPECIAL NOTE

NOTE

CAUTION: HIGH VOLTAGE

# 10-5. Luminance/Chrominance

RED ——— PB PAL COLOR  
 PB SECAM COLOR  
 BLUE ———  
 RE ———

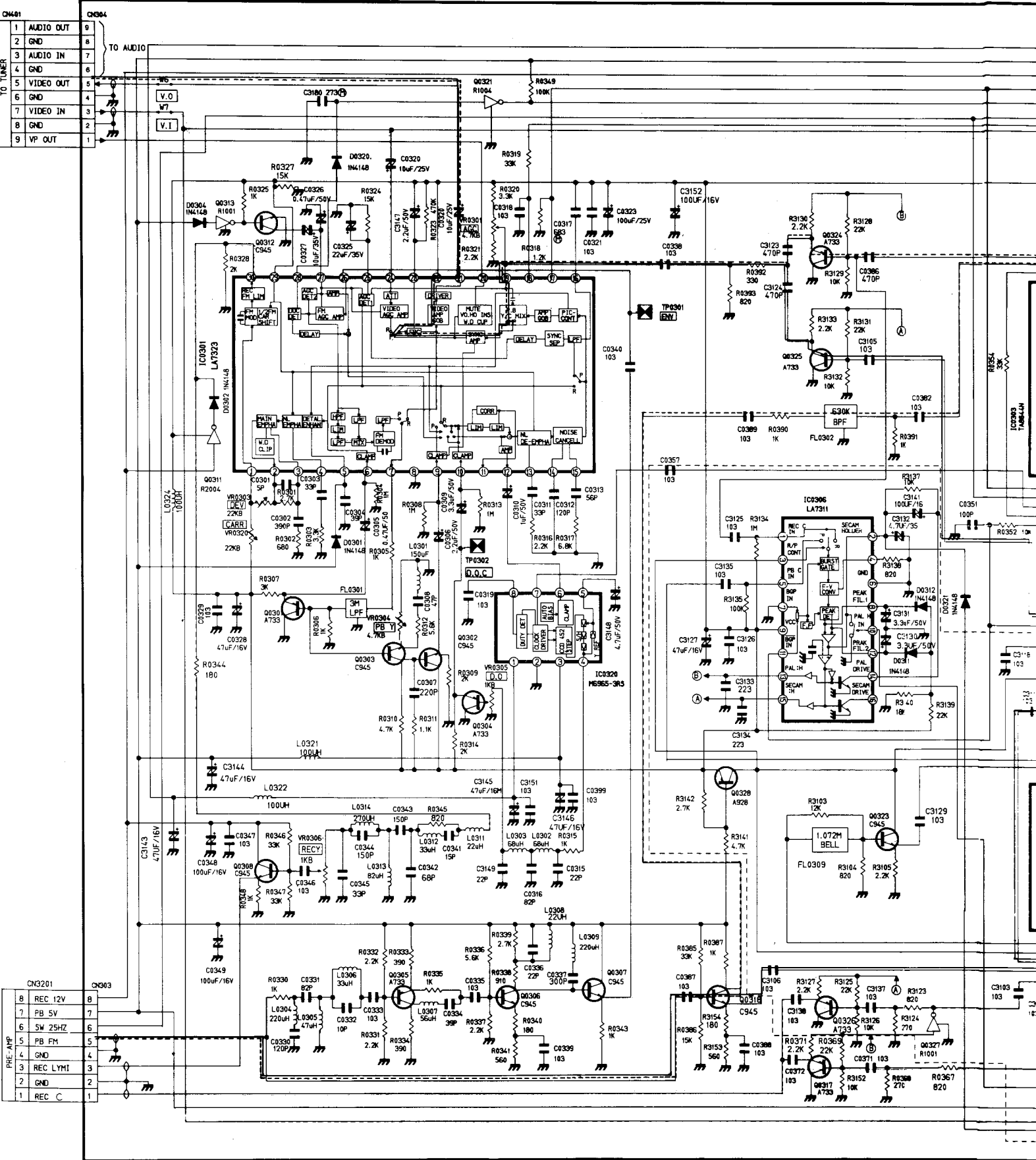


CH01	CH04
1	AUDIO OUT
2	GND
3	AUDIO IN
4	GND
5	VIDEO OUT
6	GND
7	VIDEO IN
8	GND
9	VP OUT

CH3201	CH303
8	REC 12V
7	PB 5V
6	SW 25HZ
5	PB FM
4	GND
3	REC LYMI
2	GND
1	REC C

# 10-5. Luminance/Chrominance

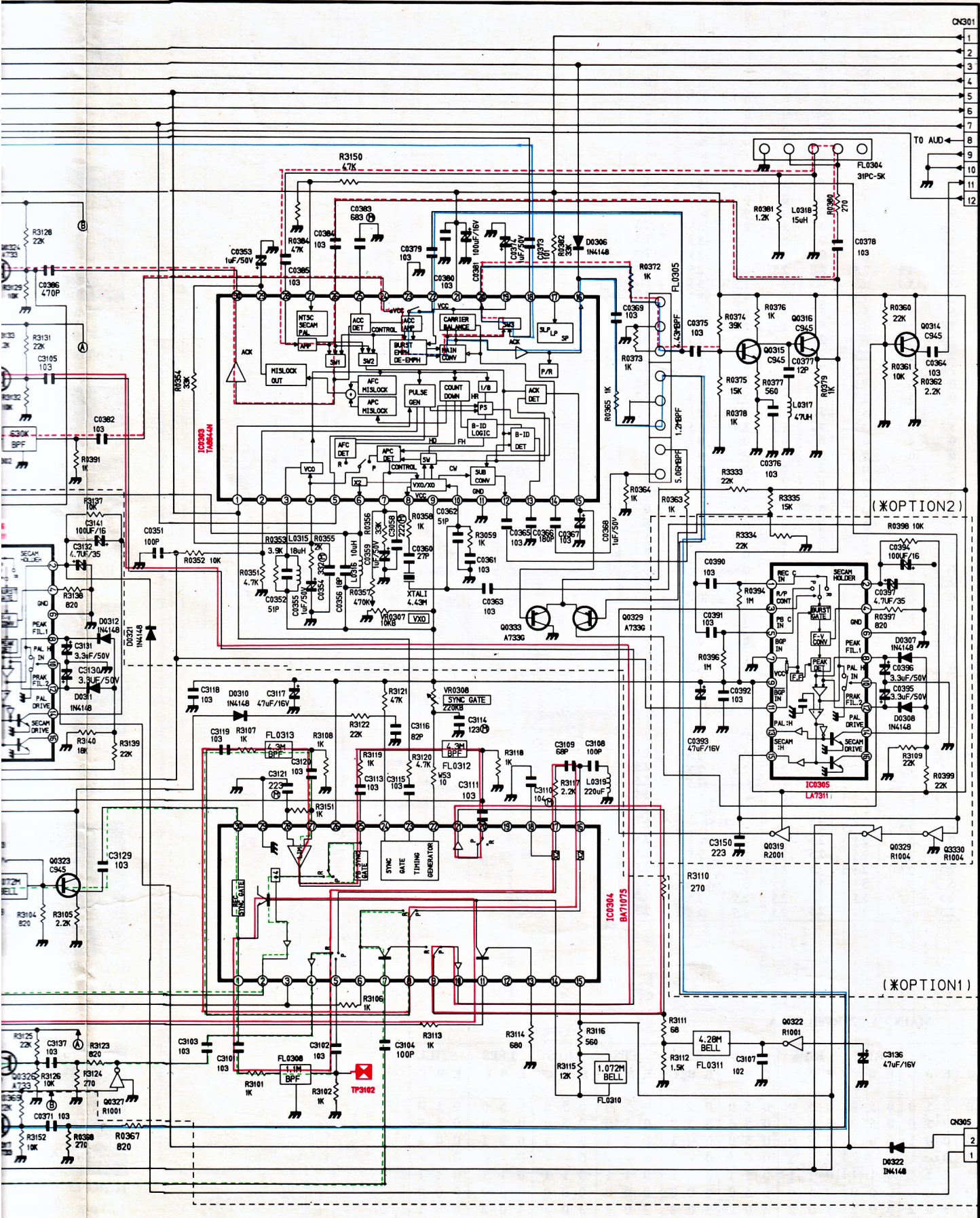
RED ——— PB PAL COLOR  
 ----- PB SECAM COLOR  
 - - - - - PB SECAM COLOR





BLUE ——— REC PAL/SECAM COLOR  
 - - - - - REC Y PROCESS

GREEN ——— PB Y PROCESS  
 - - - - - REC SECAM COLOR



1	PC 5V	1
2	PC 5V	2
3	PB 5V	3
4	REC 12V	4
5	C-SYNC	5
6	D.O.C	6
7	SW 25HZ	7
8	A.MUTE	8
9	GND	9
10	LP H	10
11	VX0	11
12	PIC.CTL	12

**NOTE**  
 Do not use the part number shown on this drawing for ordering. The correct part number is shown in the parts list. And may be slightly different or amended since this drawing was prepared.

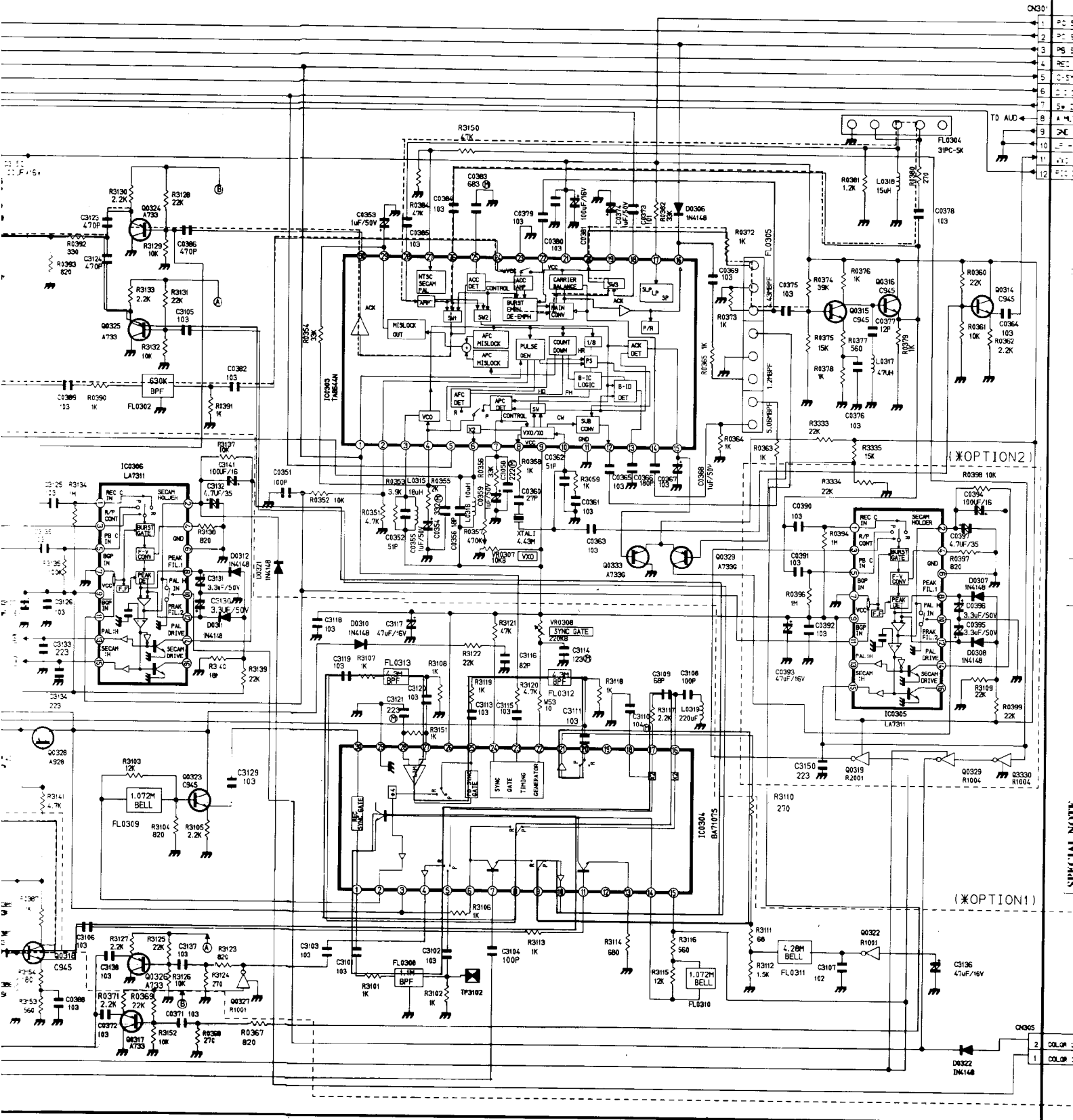
**SPECIAL NOTE**  
 All integrated circuits and many other semiconductor devices are electrostatically sensitive and therefore require the special handling techniques described under the "electrostatically sensitive (ES) devices" section of

(\*OPTION2)

(\*OPTION1)

2	COLOR CTL B	2
1	COLOR CTL A	1

--- PB PAL COLOR  
 - - - - PB SECAM COLOR



SPECIAL NOTE

2 COL. 3  
 1 COL. 3

IC 201 [MAIN-A C.B.A. (SERVO)]									
MODE PIN NO	STOP	PLAY	REC	REW	FWD	RPS	JRPS	JFPS	STILL
1	0	0	0	0	0	0	0	0	-
2	0	0	0	0	0	0	0	0	0
3	-	-	-	-	-	-	-	-	-
4	0	-	-	0	0	-	-	-	-
5	0	-	-	0	0	-	-	-	-
6	0	0	0	0	0	0	0	0	0
7	0	0	0	0	0	0	0	0	-
8	0	0	0	0	0	0	0	0	0
9	0	0	0	5	5	5	5	5	5
10	0	0	0	0	0	0	0	0	0
11	0	-	-	0	0	-	-	-	-
12	0	0	0	0	0	-	-	-	-
13	5	5	5	5	5	5	5	5	5
14	0	0	0	0	0	0	0	-	0
15	0	0	0	0	0	0	0	-	0
16	3.4	1.6	1.6	3.5	3.5	2.5	2.5	2.5	2.5
17	0	2.5	3.4	0	0	2	3.5	3.5	2.5
18	0	2.5	3.5	0	0	2	3.5	3.5	2.5
19	0	2.5	3.5	2.5	2.5	2.5	2.5	2.5	2.5
20	2.5	2.5	3.5	2.5	2.5	2	3.5	3.5	2.5
21	0	2.5	3.5	2.5	2.5	2	3.5	3.5	3.2
22	5	5	5	5	5	5	5	5	5
23	0	2.6	2.6	5	5	2.5	2.5	2.5	0
24	2.5	2.5	2.5	0	2.5	2.5	2.5	2.5	2.5
25	0	2.5	2.5	2.5	2.5	2.5	2.5	2.5	4.5
26	0	2.6	2.5	2.5	2.5	2.5	2.5	2.5	3.2
27	0	0	0	2.5	0	2.5	2.5	2.5	4.5
28	0	0	2.5	2.5	0	2.5	2.5	2.5	3.2
29	5	5	5	5	5	5	5	5	5
30	0.6	3.2	3.2	3.2	3.2	3.2	3.5	3.5	1
31	0	0	0	0	0	0	0	0	0
32	0	0	0	0	0	0	0	0	0
33	0	0	5	0	0	0	0	0	0
34	0	0	5	0	0	0	0	0	0
35	0	0	0	5	0	5	5	5	0
36	0	0	0	0	0	0	0	0	0
37	0	0	0	0	0	0	0	0	0
38	0	0	0	5	5	5	5	5	5
39	0	0	0	5	0	5	0	0	0
40	0	0	0	0	0	0	0	0	2.5
41	2.5	2.5	2.5	2.5	2.5	2.5	2.5	2.5	2.5
42	0	0	0	0	0	0	0	0	0
43	-	-	-	-	-	-	-	-	-
44	-	-	-	-	-	-	-	-	-
45	0	0	0	0	0	0	0	0	0
46	3.8	-	-	-	-	-	-	-	-
47	0	0	0	0	0	0	0	0	0
48	3.2	3	3.2	3.2	3.2	3.2	3	3.2	3.2
49	0	0	0	0	0	0	-	-	-
50	2.2	-	-	2.4	2.5	-	-	-	-
51	2.5	-	-	2.5	2.5	-	-	-	-
52	2.2	-	-	2.5	2.5	-	-	-	-
53	2.5	2.5	2.5	2.5	2.5	2.5	2.5	2.5	2.5
54	2.5	2.5	2.5	2.5	2.5	2.5	2.5	2.5	2.5
55	2.5	-	-	-	-	-	-	2.5	2.5
56	2.4	-	-	-	-	-	-	-	2.5
57	2.5	-	-	-	-	-	-	-	2.5
58	2.5	-	2.5	2.5	2.5	-	-	-	0
59	2.4	0	2.4	2.5	2.5	-	-	-	2.5
60	2.5	0	2.5	2.5	2.5	2.5	2.5	2.5	2.5
61	2.5	2.5	2.5	2.5	2.5	2.5	2.5	2.5	2.5
62	5	5	5	5	5	5	5	5	5
63	2.5	2.5	-	2.5	2.5	2.5	2.5	2.5	2.5
64	2.5	2.5	-	2.5	2.5	2.5	2.5	2.5	2.5

MAIN - A (SERVO) C.B.A.																																				
MODE LOCA NO	STOP			PLAY			REC			REW			F.F			RPS			FPS			JRPS			JFPS			STILL								
	E	B	C	E	B	C	E	B	C	E	B	C	E	B	C	E	B	C	E	B	C	E	B	C	E	B	C	E	B	C	E	B	C			
Q201	0	5	0	0	5	0	0	5	0	0	5	0	0	5	0	0	5	0	0	5	0	0	5	0	0	5	0	0	5	0	0	5	0			
Q202	0	5	0	0	5	0	0	5	0	0	5	0	0	5	0	0	5	0	0	5	0	0	5	0	0	5	0	0	5	0	0	5	0			
Q203	0	5	0	0	0	1	0	0	1	0	5	0	0	5	0	0	0	1	0	0	1	0	0	1	0	0	1	0	0	1	0	0	1	0		
Q204	0	0	5	0	-	-	0	-	-	0	0	5	0	0	5	0	-	-	0	-	-	0	-	-	0	-	-	0	-	-	0	-	-	0	-	
Q205	0	1	1	0	1	1	0	1	1	0	1	1	0	1	1	0	1	1	0	1	1	0	1	1	0	1	1	0	1	1	0	1	1	0	1	1
Q207	0	5	0	0	0	0	0	0	0	0	5	0	0	5	0	0	0	0	0	0	0	0	0	0	0	0	0	0	0	0	0	0	0	0	0	
Q208	0	0	0	3	0	2	3	0	2	3	0	2	3	0	2	3	0	2	3	0	2	3	0	2	3	0	2	3	0	2	4	0	2	0	5	1
Q209	0	0	5	5	5	5	5	5	5	5	5	5	5	5	5	5	5	5	5	5	5	5	5	5	5	5	5	5	5	5	5	5	5	5	5	

REV S. : REVERSE SEARCH  
FWD S. : FORWARD SEARCH

IC 0301 [MAIN-B C.B.A. ( VIDEO ) ]							
MODE PIN NO	STOP	REC	PLAY	REW	F.FED	REV.S	FWDS
1	2.4	2.4	3.6	2.4	2.4	3.6	3.6
2	2.4	2.4	2.6	2.4	2.4	2.6	2.6
3	2.4	2.4	2.4	2.4	2.4	2.4	2.4
4	3.0	3.0	2.6	3.0	3.0	2.6	2.6
5	2.8	2.8	4.4	2.8	2.8	4.4	4.4
6	3.4	3.4	1.0	3.4	3.4	1.0	1.0
7	2.4	2.4	2.0	2.4	2.4	2.0	2.0
8	0	0	0	0	0	0	0
9	1.2	1.2	3.4	1.2	1.2	3.4	3.4
10	3.4	3.4	3.4	3.4	3.4	3.4	3.4
11							
12	3.0	3.0	3.0	3.0	3.0	3.0	3.0
13	4.4	4.4	3.0	4.4	4.4	3.0	3.0
14	4.4	4.4	3.0	4.4	4.4	3.0	3.0
15	4.4	4.4	4.0	4.4	4.4	4.0	4.0
16	3.6	3.6	3.4	3.6	3.6	3.4	3.4
17	-	-	-	-	-	-	-
18	2.4	2.4	2.4	2.4	2.4	2.4	2.4
19	4.0	4.0	4.0	4.0	4.0	4.0	4.0
20	0	0	0	0	0	0	0
21	2.5	2.5	2.4	2.5	2.5	2.4	2.4
22	5.0	5.0	5.0	5.0	5.0	5.0	5.0
23	3.6	3.6	3.2	3.6	3.6	3.2	3.2
24	3.0	3.0	3.2	3.0	3.0	3.2	3.2
25	2.8	2.8	3.6	2.8	2.8	3.6	3.6
26	3.4	3.4	3.6	3.4	3.4	3.6	3.6
27	1.4	1.4	1.2	1.4	1.4	1.2	1.2
28	0	0	0	0	0	0	0
29	5.0	5.0	5.0	5.0	5.0	5.0	5.0
30	4.3	4.3	4.3	4.3	4.3	4.3	4.3

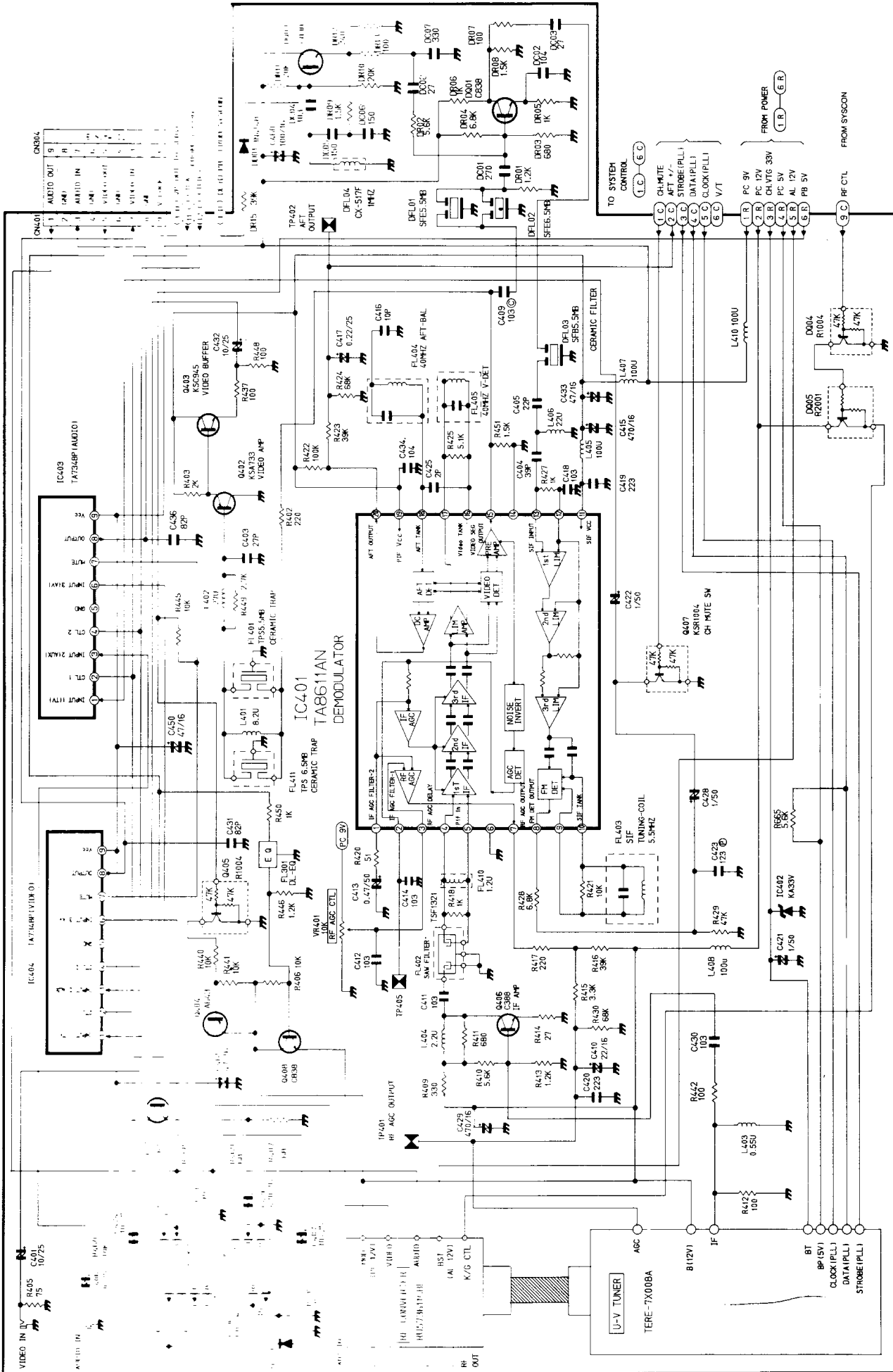
IC 0303							
MODE PIN NO	STOP	REC	PLAY	REW	F.FWD	REV S.	FWD S.
PIN 1	0.8	4	0.4	0.8	0.8	0.9	4.0
PIN 2	3.7	3.8	3.8	3.7	3.7	3.8	3.8
PIN 3	5.0	5	5.0	5.0	5.0	5.0	5.0
PIN 4	1.7	1.8	1.7	1.7	1.7	2.3	1.8
PIN 5	4.3	4.3	4.3	4.3	4.3	4.3	4.3
PIN 6	5.0	5.0	5.0	5.0	5.0	5.0	5.0
PIN 7	2.2	2.0	2.0	2.2	2.2	2.0	2.0
PIN 8	2.5	2.3	2.3	2.5	2.5	2.3	2.3
PIN 9	5.0	50	5.0	5.0	5.0	5.0	5.0
PIN 10	3.2	3.0	3.0	3.1	3.1	3.0	3.0
PIN 11	0	0	0	0	0	0	0
PIN 12	4.3	4.3	4.4	4.3	4.3	4.3	4.3
PIN 13	3.0	3	3.0	3.0	3.0	3.0	3.0
PIN 14	2.7	3	2.7	2.7	2.7	2.7	3.0
PIN 15	2.4	2.4	2.3	2.3	2.3	2.4	2.4
PIN 16	0	0	4.4	0	0	4.4	0
PIN 17	5.0	5.0	5.0	5.0	5.0	5.0	5.0
PIN 18	2.5	2.5	2.5	2.5	2.5	2.5	2.5
PIN 19	2.9	3.0	3.0	2.9	3.0	3.0	3
PIN 20	2.5	2.5	2.5	2.5	2.5	2.5	2.5
PIN 21	5.0	5	5.0	5.0	5.0	5.0	5.0
PIN 22	2.7	2.8	2.8	2.7	2.7	2.8	2.8
PIN 23	0	0	0.0	0	0	0	0.0
PIN 24	1.7	1.7	2.8	1.7	1.7	2.8	1.7
PIN 25	3.6	2.3	4.5	3.6	3.6	4.0	2.3
PIN 26	2.4	2.4	2.3	2.4	2.4	2.3	2.4
PIN 27	0	0	0.0	0	0	0	0.0
PIN 28	2.7	2.7	2.6	2.7	2.7	2.6	2.7
PIN 29	1.7	2.4	2.3	1.6	1.6	2.3	2.4
PIN 30	2.8	2.8	0	2.8	2.8	0	2.8

REV S. : REVERSE SEARCH  
FWD S. : FORWARD SEARCH

IC 0302							
MODE PIN NO	STOP	REC	PLAY	REW	F.FWD	REV S.	FWD S.
PIN 1	9	5	9	9	9	9	9
PIN 2	0	0	0	0	0	0	0
PIN 3	0	0	4.9	0	0	4.9	4.9
PIN 4	5.2	0	3.3	5.2	5.2	3.3	3.3
PIN 5	3.0	3.0	3.1	2	3	3.1	3.1
PIN 6	4.4	0	2.4	3.6	3	2.4	2.4
PIN 7	1.6	1.0	1.8	1.6	1.7	1.8	1.8
PIN 8	3.4	2.4	5.1	3.5	3.3	5.1	5.1

IC 0304 [MAIN-B C.B.A. ( VIDEO ) ]							
MODE PIN.NO	STOP	REC	PLAY	REW	F.FED	REV.S	FWDS
1	2.8	2.8	2.0	2.8	2.8	2.0	2.0
2	3.2	3.2	0	3.2	3.2	0	0
3	5.0	5.0	0.4	5.0	5.0	0.4	0.4
4	2.0	2.0	0	2.0	2.0	0	0
5	1.2	1.2	1.2	1.2	1.2	1.2	1.2
6	3.8	3.8	0.4	3.8	3.8	0.4	0.4
7	1.6	1.6	OPEN	1.6	1.6	OPEN	OPEN
8	2.4	2.4	2.4	2.4	2.4	2.4	2.4
9	1.8	1.8	1.2	1.8	1.8	1.2	1.2
10	0	0	2.2	0	0	2.2	2.2
11	0	0	3.0	0	0	3.0	3.0
12	N.C	N.C	N.C	N.C	N.C	N.C	N.C
13	0	0	1.4	0	0	1.4	1.4
14	0	0	2.8	0	0	2.8	2.8
15	0	0	5.0	0	0	5.0	5.0
16	0	0	2.6	0	0	2.6	2.6
17	OPEN	OPEN	3.0	OPEN	OPEN	3.0	3.0
18	0	0	2.0	0	0	2.0	2.0
19	N.C	N.C	N.C	N.C	N.C	N.C	N.C
20	1.0	1.0	1.4	1.0	1.0	1.4	1.4
21	1.8	1.8	1.4	1.8	1.8	1.4	1.4
22	2.0	2.0	2.0	2.0	2.0	2.0	2.0
23	2.0	2.0	2.0	2.0	2.0	2.0	2.0
24	3.4	3.4	2.0	3.4	2.4	2.0	2.0
25	3.2	3.2	3.2	3.2	3.2	3.2	3.2
26	5.0	5.0	5.0	5.0	5.0	5.0	5.0
27	3.0	3.0	3.0	3.0	3.0	3.0	3.0
28	3.0	3.0	3.0	3.0	3.0	3.0	3.0
29	0	0	0	0	0	0	0
30	2.6	2.6	0	2.6	2.6	0	0

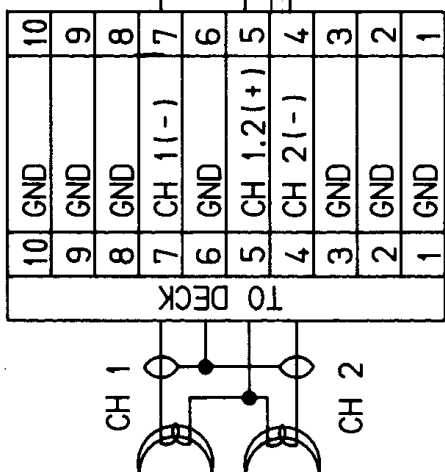
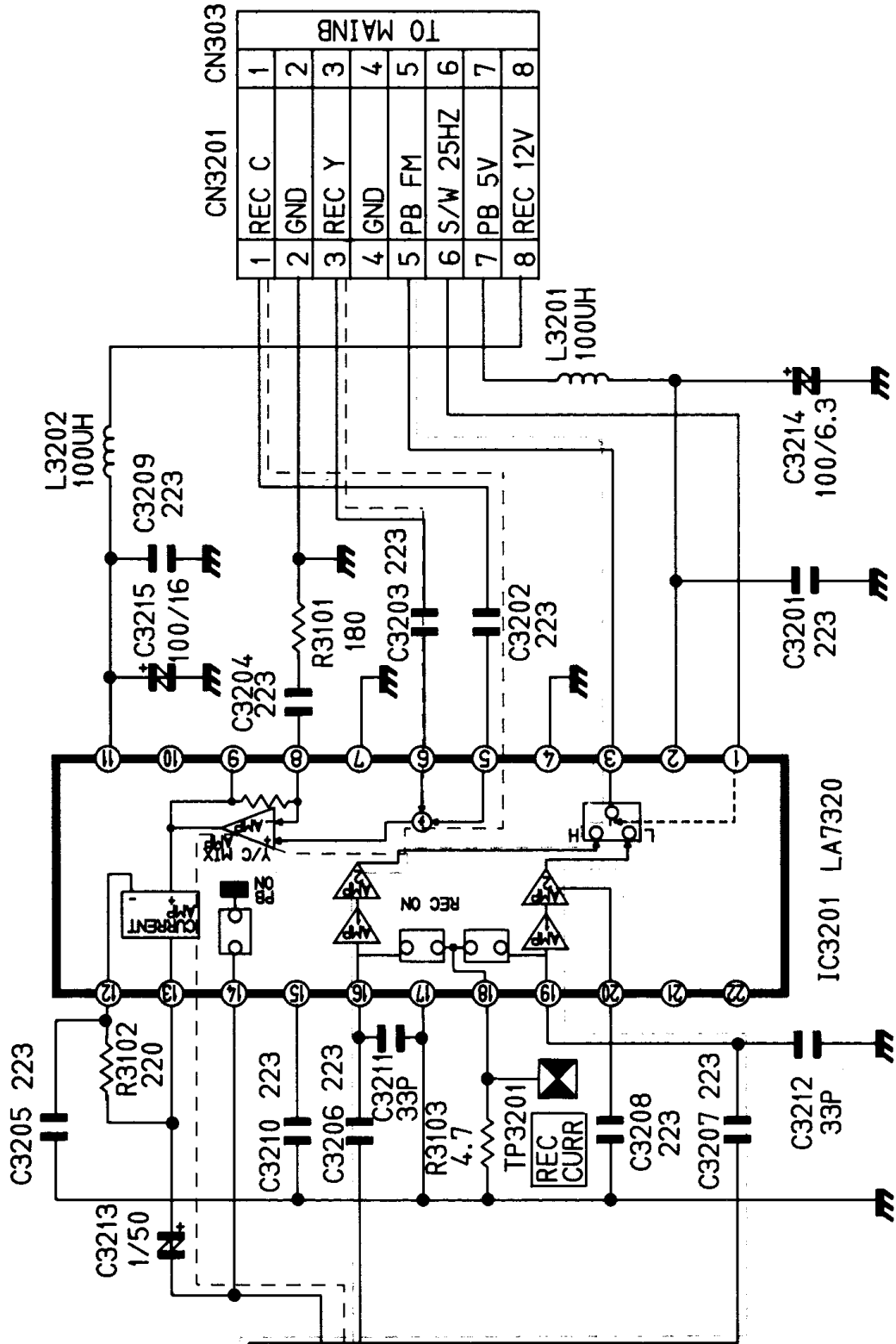
# 10-8. Tuner



**NOTE**  
Do not use the part number shown on this drawing for ordering. The correct part number is shown in the parts list. And may be slightly different or amended since this drawing was prepared.

**SPECIAL NOTE**  
All integrated circuits and many other semiconductor devices are electrostatically sensitive and therefore require the special handling techniques described under the "electrostatically sensitive (ES) devices" section of this service manual.

# 10-7. Pre AMP

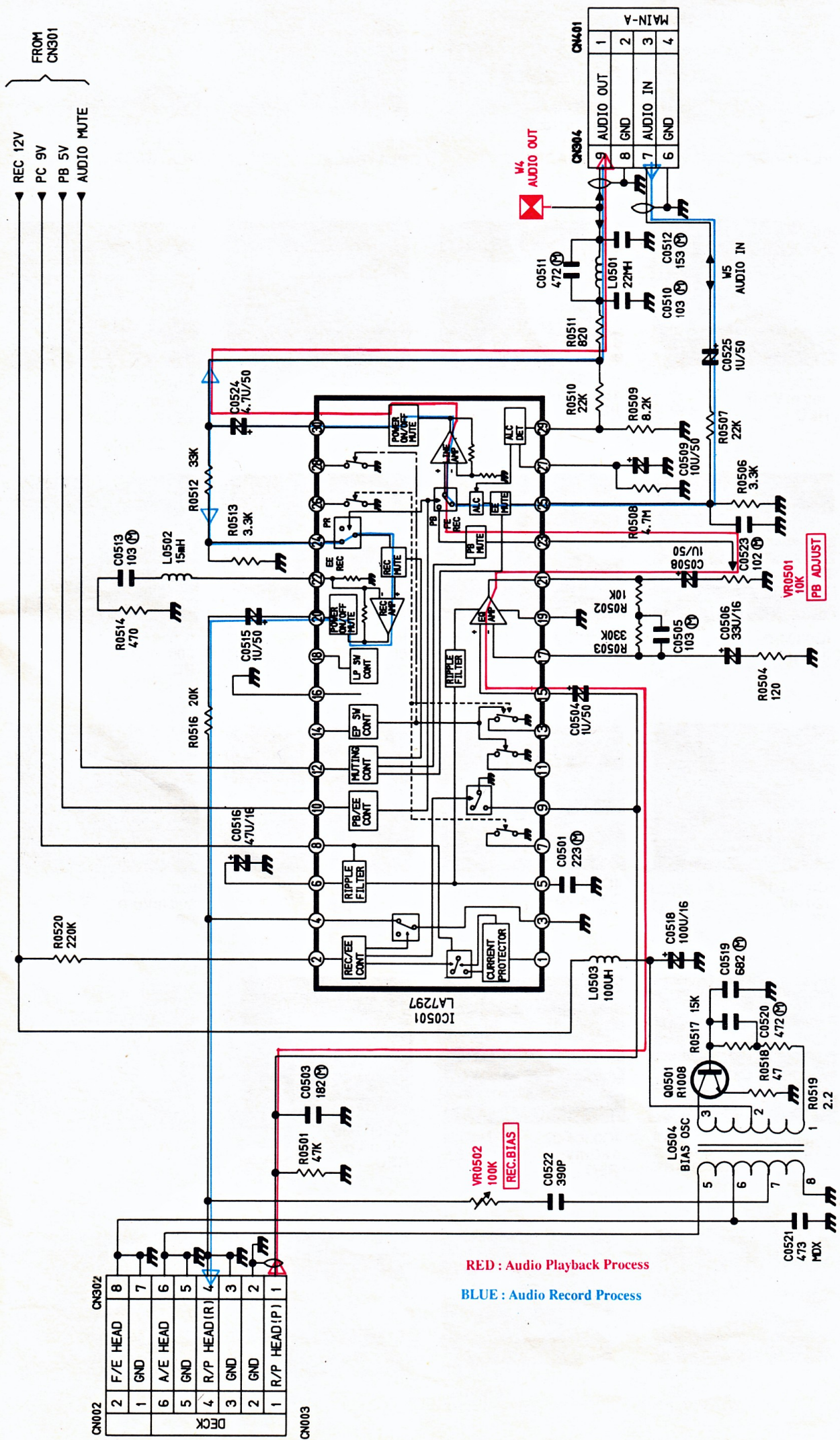


RED : REC Luminance and Chrominance Process

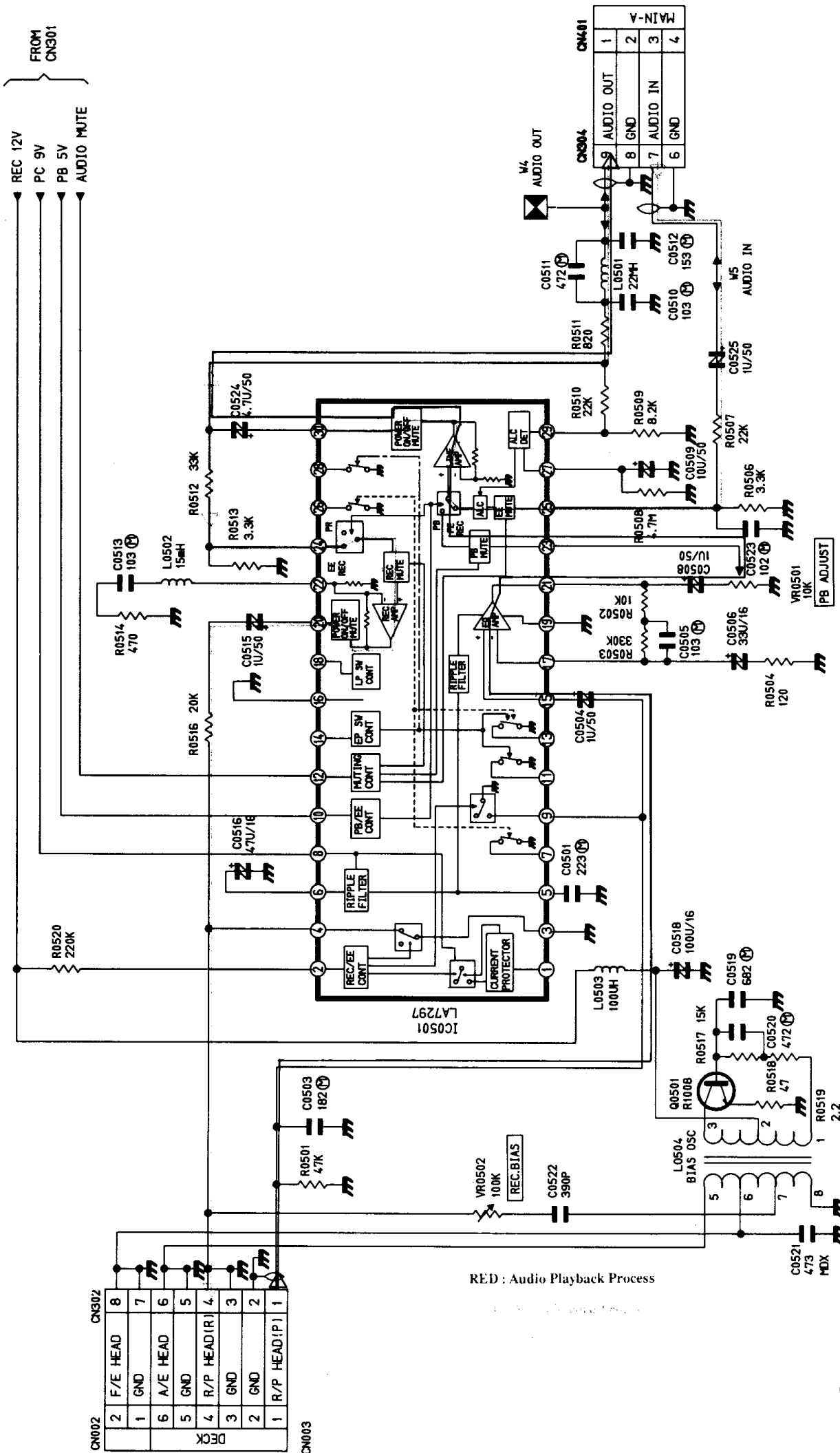
BLUE : PB Luminance process

**SPECIAL NOTE**  
 All integrated circuits and many other semiconductor devices are electrostatically sensitive and therefore require the special handling techniques described under the "electrostatically sensitive (ES) devices" section of this service manual.

**NOTE**  
 Do not use the part number shown on this drawing for ordering. The correct part number is shown in the parts list. And may be slightly different or amended since this drawing was prepared.



# 10-6. Audio





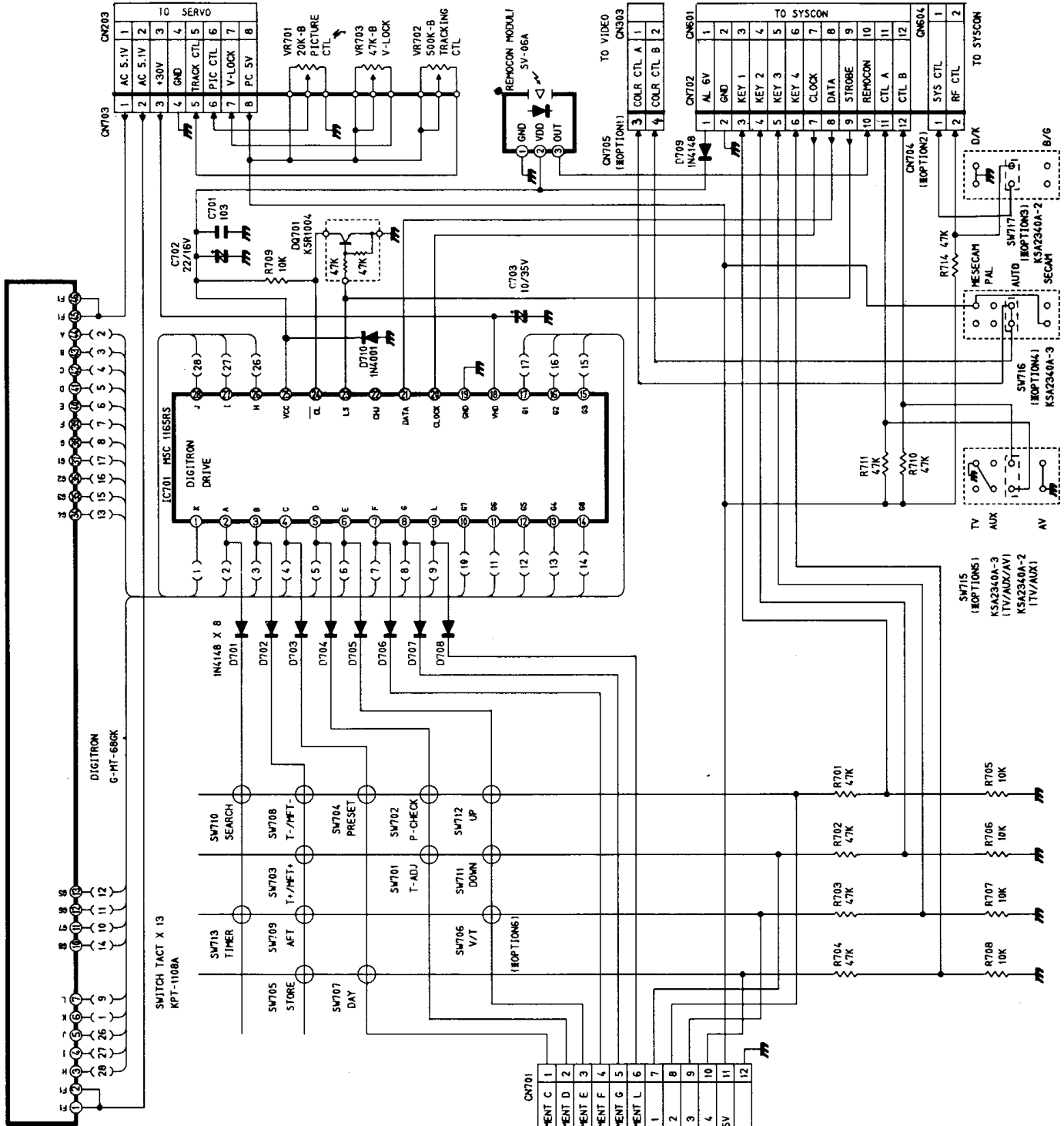
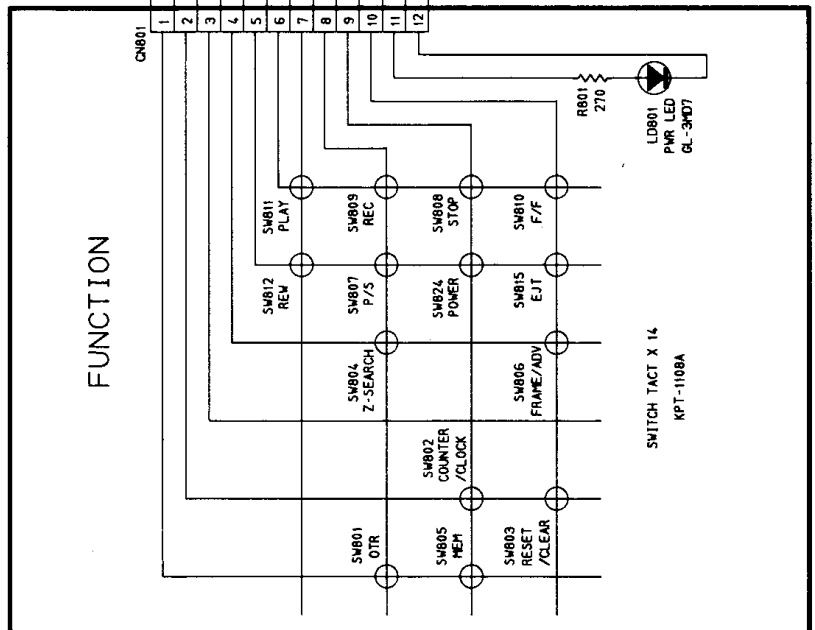
# 10-9. Function / Timer

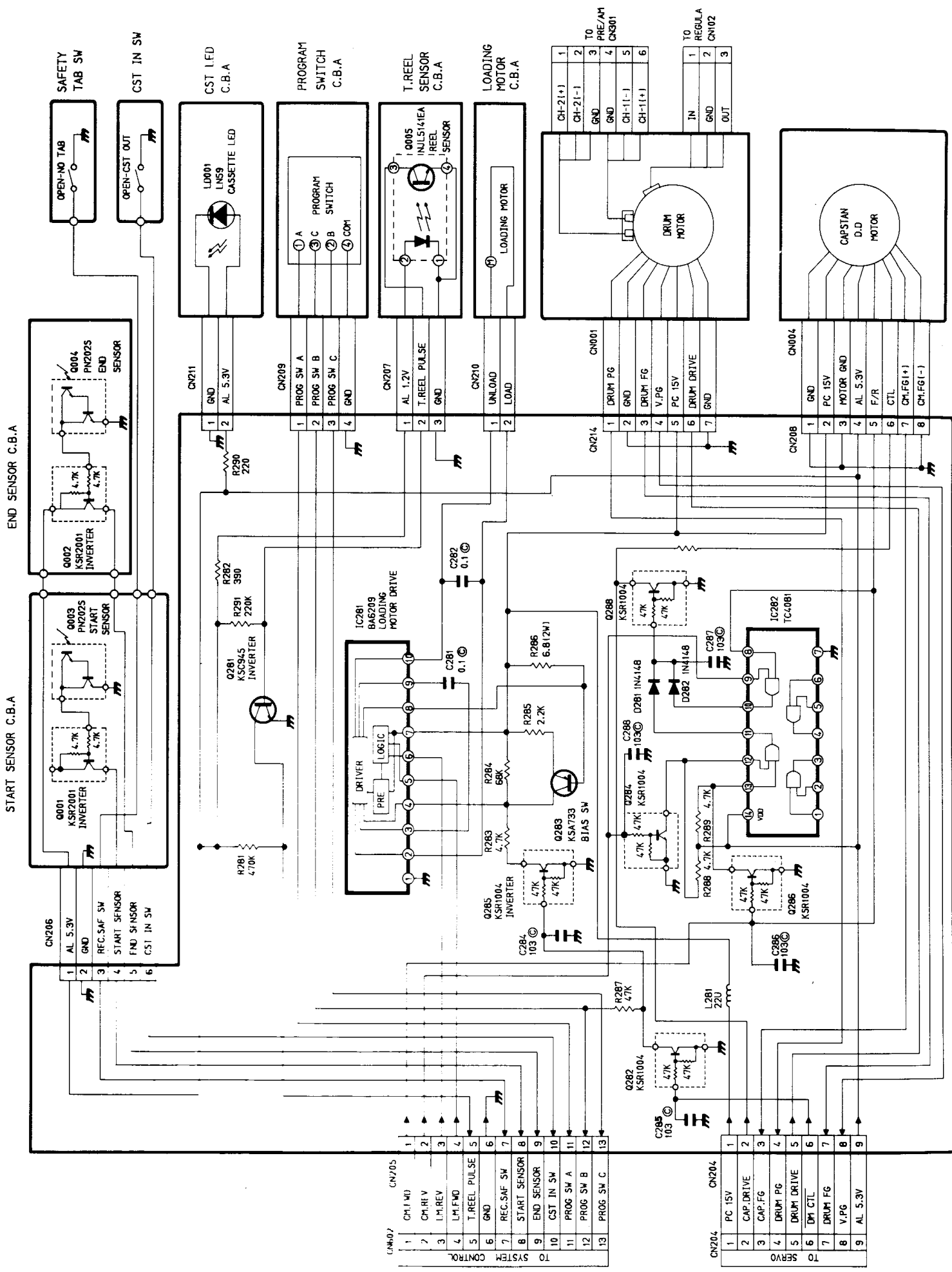
**SPECIAL NOTE**  
 All integrated circuits and many other semiconductor devices are electrostatically sensitive and therefore require the special handling techniques described under the "electrostatically sensitive (ES) devices" section of this service manual.

**NOTE**  
 Do not use the part number shown on this drawing for ordering. The correct part number is shown in the parts list. And may be slightly different or amended since this drawing was prepared.

\* OPTION TABLE \*

OPTION1	CN 705	VK-8220 ONLY
OPTION2	CN 704	VK-8220 ONLY
OPTION3	SW 717	VK-8220 ONLY
OPTION4	SW 716	VK-8220 ONLY
OPTION5	SW 715	VK8220, VK8220, VK8220H
		TV/AUX/AV TV/AUX
OPTION6	SW 706	VK8220, VK8220, VK8220H
		NO YES
		VK8220E, VK8220A





END SENSOR C.B.A

START SENSOR C.B.A

SAFETY TAB SW

CST IN SW

CST LED C.B.A

PROGRAM SWITCH C.B.A

T.REEL SENSOR C.B.A

LOADING MOTOR C.B.A

CH-2(+) 1  
CH-2(-) 2  
GND 3  
PRE/AM 4  
CN301 5  
6

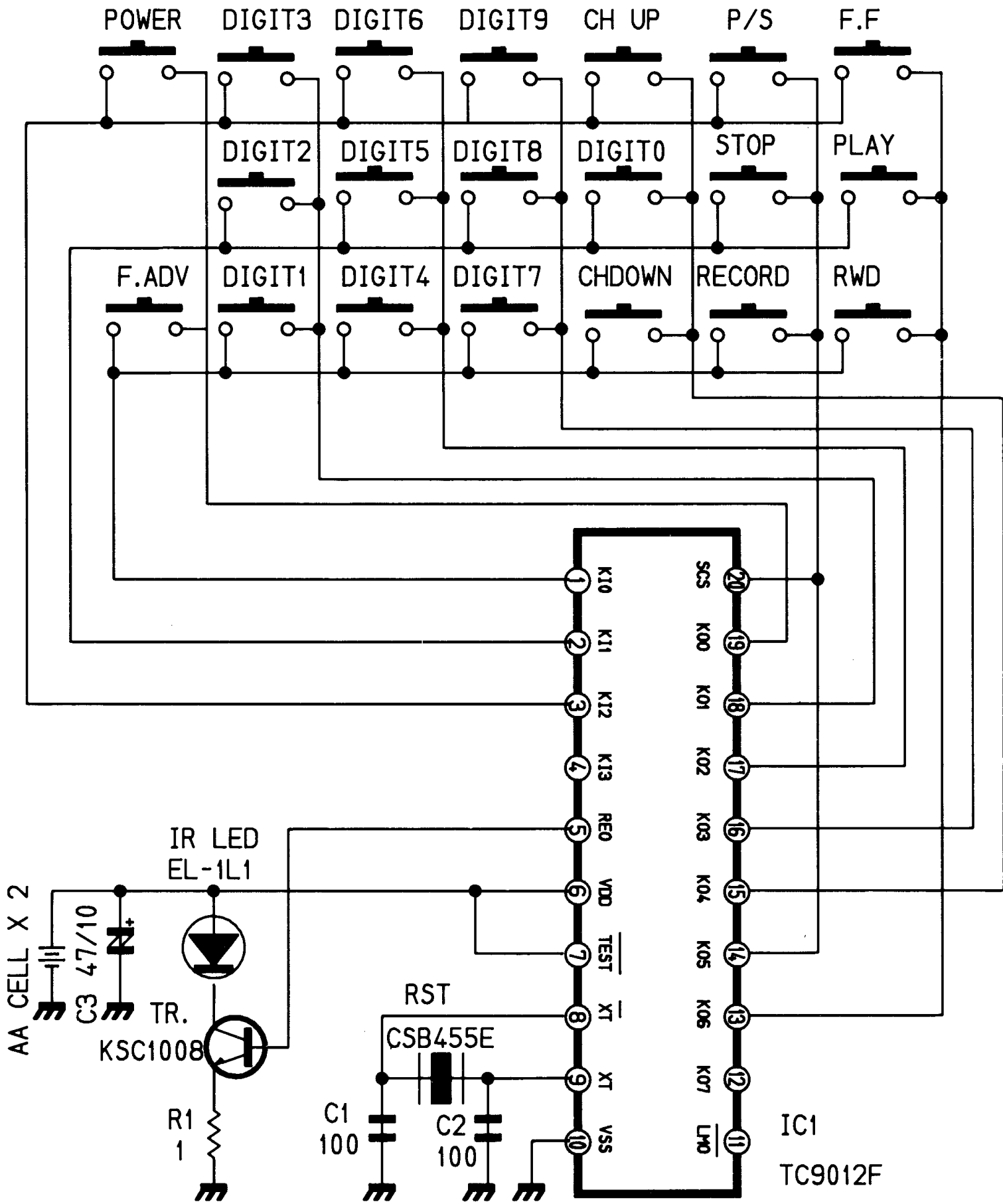
TO REGULA  
CN102 1  
2  
3  
IN  
GND  
OUT

CN205

1	CH-1 WD
2	CH-1 V
3	L.M.REV
4	L.M.FWD
5	T.REEL PULSE
6	GND
7	REC.SAF SW
8	START SENSOR
9	END SENSOR
10	CST IN SW
11	PROG SW A
12	PROG SW B
13	PROG SW C

CN204

1	PC 15V
2	CAP.DRIVE
3	CAP.FG
4	DRUM PG
5	DRUM DRIVE
6	DM CTL
7	DRUM FG
8	V.PG
9	AL 5.3V



This document was created with Win2PDF available at <http://www.daneprairie.com>.  
The unregistered version of Win2PDF is for evaluation or non-commercial use only.