

HCD-FX999W/FX1000W

SERVICE MANUAL



Ver. 1.4 2005.12

E Model

HCD-FX999W/FX1000W

Australian Model

HCD-FX999W



Photo : HCD-FX999W

HCD-FX999W/FX1000W are the amplifier, DVD/CD and tuner section in DAV-FX999W/FX1000W.

This system incorporates with Dolby*1 Digital and Dolby Pro Logic (II) adaptive matrix surround decoder and the DTS*2 Digital Surround System.

*1 Manufactured under license from Dolby Laboratories. "Dolby," "Pro Logic," and the double-D symbol are trademarks of Dolby Laboratories.

*2 Manufactured under license from Digital Theater Systems, Inc. "DTS" and "DTS Digital Surround" are trademarks of Digital Theater Systems, Inc.

Model Name Using Similar Mechanism	NEW
Mechanism Type	CDM69EH-DVBU101
Optical Pick-up Name	KHM-310CAB/C2NP

SPECIFICATIONS

Amplifier section

Central and South American models:

Stereo mode (rated) 55 W + 55 W (3 ohms at 1 kHz, DIN)

Surround mode (reference) music power output
 Front: 120 W + 120 W (with SS-TS47)
 Center*: 120 W (with SS-CT46)
 Surround*: 120 W + 120 W (with SS-TS46B)
 Subwoofer*: 240 W (with SS-WS43)

Mexican and other models:

Stereo mode (rated) 55 W + 55 W (3 ohms at 1 kHz, DIN)

Surround mode (reference) music power output
 Front: 143 W + 143 W (with SS-TS47)
 Center*: 143 W (with SS-CT46)
 Surround*: 143 W + 143 W (with SS-TS46B)
 Subwoofer*: 285 W (with SS-WS43)

Inputs (Analog)
 VIDEO, SAT

Input (Digital)
 SAT (Optical)
 Phones

MIC

Super Audio CD/DVD system

Laser Semiconductor laser (Super Audio CD/DVD: $\lambda = 650 \text{ nm}$) (CD: $\lambda = 790 \text{ nm}$)
 Emission duration: continuous
 Signal format system NTSC/PAL
 Frequency response (at 2 CH STEREO mode) DVD (PCM): 2 Hz to 22 kHz ($\pm 1.0 \text{ dB}$)
 CD: 2 Hz to 20 kHz ($\pm 1.0 \text{ dB}$)
 Harmonic distortion Less than 0.03 %

Tuner section

System PLL quartz-locked digital synthesizer system
 FM tuner section
 Tuning range 87.5 – 108.0 MHz (50 kHz step)
 Antenna (aerial) FM wire antenna (aerial)
 Antenna (aerial) terminals 75 ohms, unbalanced
 Intermediate frequency 10.7 MHz
 AM tuner section
 Tuning range
 Middle Eastern models: 531 – 1,602 kHz (with the interval set at 9 kHz)
 Mexican model: 530 – 1,710 kHz (with the interval set at 10 kHz)
 531 – 1,710 kHz (with the interval set at 9 kHz)
 Other models: 531 – 1,602 kHz (with the interval set at 9 kHz)
 530 – 1,710 kHz (with the interval set at 10 kHz)
 Antenna (aerial) AM loop antenna (aerial)
 Intermediate frequency 450 kHz

* Depending on the sound field settings and the source, there may be no sound output.

— Continued on next page —

DVD RECEIVER

9-879-743-05
 2005L16-1
 © 2005.12

Sony Corporation
 Home Audio Division
 Published by Sony Engineering Corporation

SONY®

HCD-FX999W/FX1000W

Ver. 1.2

Video section

Outputs	Video: 1 Vp-p 75 ohms S video: Y: 1 Vp-p 75 ohms C: 0.286 Vp-p 75 ohms COMPONENT: Y: 1 Vp-p 75 ohms P _B /C _B , P _R /C _R : 0.7 Vp-p 75 ohms HDMI OUT: Type A (19 pin) (HCD-FX1000W only)
Input	VIDEO, SAT: 1 Vp-p 75 ohms

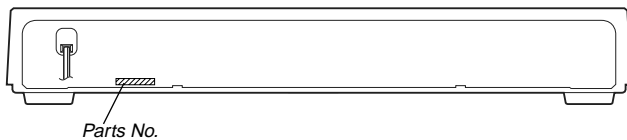
General

Power requirements	
Taiwan model:	120 V AC, 50/60 Hz
Korean model:	220 V AC, 60 Hz
Mexican model:	120 V AC, 60 Hz
Central/South American models:	
	110 – 240 V AC, 50/60 Hz
Other models:	220 – 240 V AC, 50/60 Hz
Power consumption	On: 130 W Standby: 0.3 W (at the Power Saving mode)
Dimensions (approx.)	445 × 70 × 375 mm (w/h/d) incl. projecting parts
Mass (approx.)	5.1 kg

Design and specifications are subject to change without notice.

MODEL IDENTIFICATION

– Rear Panel –



Model	Part No.
FX999W: E3 model	2-588-162-0□
FX999W: SP, TW models	2-588-162-1□
FX999W: MX, E32, AUS models	2-588-162-2□
FX999W: E13 model	2-588-162-3□
FX1000W: KR model	2-588-163-0□

• Abbreviation

AUS	: Australian model
E3	: 240V AC area in E model
E13	: 220-230V AC area in E model
E32	: 110-240V AC area in E model
KR	: Korean model
MX	: Mexican model
SP	: Singapore model
TW	: Taiwan model

Laser component in this product is capable of emitting radiation exceeding the limit for Class 1.



This appliance is classified as a CLASS 1 LASER product. The CLASS 1 LASER PRODUCT MARKING is located on the bottom exterior.

CAUTION

Use of controls or adjustments or performance of procedures other than those specified herein may result in hazardous radiation exposure.

Notes on chip component replacement

- Never reuse a disconnected chip component.
- Notice that the minus side of a tantalum capacitor may be damaged by heat.

Flexible Circuit Board Repairing

- Keep the temperature of the soldering iron around 270 °C during repairing.
- Do not touch the soldering iron on the same conductor of the circuit board (within 3 times).
- Be careful not to apply force on the conductor when soldering or unsoldering.

UNLEADED SOLDER

Boards requiring use of unleaded solder are printed with the lead-free mark (LF) indicating the solder contains no lead.

(Caution: Some printed circuit boards may not come printed with the lead free mark due to their particular size)

LEAD FREE MARK

Unleaded solder has the following characteristics.

- Unleaded solder melts at a temperature about 40 °C higher than ordinary solder.
Ordinary soldering irons can be used but the iron tip has to be applied to the solder joint for a slightly longer time.
Soldering irons using a temperature regulator should be set to about 350 °C.
Caution: The printed pattern (copper foil) may peel away if the heated tip is applied for too long, so be careful!
- Strong viscosity
Unleaded solder is more viscous (sticky, less prone to flow) than ordinary solder so use caution not to let solder bridges occur such as on IC pins, etc.
- Usable with ordinary solder
It is best to use only unleaded solder but unleaded solder may also be added to ordinary solder.

SAFETY-RELATED COMPONENT WARNING!!



COMPONENTS IDENTIFIED BY MARK  OR DOTTED LINE WITH MARK  ON THE SCHEMATIC DIAGRAMS AND IN THE PARTS LIST ARE CRITICAL TO SAFE OPERATION. REPLACE THESE COMPONENTS WITH SONY PARTS WHOSE PART NUMBERS APPEAR AS SHOWN IN THIS MANUAL OR IN SUPPLEMENTS PUBLISHED BY SONY.

TABLE OF CONTENTS

1. SERVICING NOTE	4	7-12. Schematic Diagram – DMB10 Section (1/4) –	41
2. GENERAL	5	7-13. Schematic Diagram – DMB10 Section (2/4) –	42
3. DISASSEMBLY		7-14. Schematic Diagram – DMB10 Section (3/4) –	43
3-1. Disassembly Flow	7	7-15. Schematic Diagram – DMB10 Section (4/4) –	44
3-2. Top Panel Sub Assy	8	7-16. Printed Wiring Board – MAIN Section (Side A) –	45
3-3. Front Panel Assy	9	7-17. Printed Wiring Board – MAIN Section (Side B) –	46
3-4. I/O Board, DC Fan	9	7-18. Schematic Diagram – MAIN Section (1/8) –	47
3-5. MIB01 Board, MIB01 POWER Board (HCD-FX1000W only)	10	7-19. Schematic Diagram – MAIN Section (2/8) –	48
3-6. DMB10 Board, TX Board	11	7-20. Schematic Diagram – MAIN Section (3/8) –	49
3-7. MAIN Board, H/P Board	12	7-21. Schematic Diagram – MAIN Section (4/8) –	50
3-8. FL Board, KEY Board, LED Board	12	7-22. Schematic Diagram – MAIN Section (5/8) –	51
3-9. DVD Mechanism Deck (CDM69EH-DVBU101)	13	7-23. Schematic Diagram – MAIN Section (6/8) –	52
3-10. Base Unit	13	7-24. Schematic Diagram – MAIN Section (7/8) –	53
3-11. Optical Pick-up (KHM-310CAB)	14	7-25. Schematic Diagram – MAIN Section (8/8) –	54
3-12. SW Board, Bracket (Top) Assy	14	7-26. Printed Wiring Board – FL/KEY Section –	55
3-13. RELAY Board	15	7-27. Schematic Diagram – FL/KEY Section –	56
3-14. Motor (Stocker) Assy (Stocker)(M761)	15	7-28. Printed Wiring Board – LED / MIC Section –	57
3-15. Motor (Roller) Assy (Roller)(M781)	16	7-29. Schematic Diagram – LED / MIC SSection –	58
3-16. Motor (Mode) Assy (Mode)(M771)	16	7-30. Printed Wiring Board – I/O Section (Side A) –	59
3-17. Rubber Roller (Slider) ASSY	17	7-31. Printed Wiring Board – I/O Section (Side B) –	60
3-18. Timing Belt (Front/Rear)	17	7-32. Schematic Diagram – I/O Section –	61
3-19. Cam (Gear)	18	7-33. Printed Wiring Board – MIB01 Section (Side A) –	62
3-20. SENSOR Board	18	7-34. Printed Wiring Board – MIB01 Section (Side B) –	63
4. ASSEMBLY		7-35. Schematic Diagram – MIB01 Section (1/3) –	64
4-1. How To Install The Cam (Eject Lock)	19	7-36. Schematic Diagram – MIB01 Section (2/3) –	65
4-2. How To Install The Cam (Gear)	19	7-37. Schematic Diagram – MIB01 Section (3/3) –	66
4-3. How To Install The Gear (Mode C)	20	7-38. Printed Wiring Board – MIB01 POWER Section –	67
4-4. How To Install The Gear (Mode Cam)	20	7-39. Schematic Diagram – MIB01 POWER Section –	67
4-5. How To Install The Rotary Encoder (S702), Gear (Stocker Communication)	21	7-40. Printed Wiring Board – TX Section –	68
4-6. How To Install The Stocker Assy	21	7-41. Schematic Diagram – TX Section –	69
5. TEST MODE	22	8. EXPLODED VIEWS	
6. ELECTRICAL ADJUSTMENT	26	8-1. Overall Section	92
7. DIAGRAMS		8-2. Front Panel Assy Section	93
7-1. Block Diagram – RF Section –	30	8-3. Chassis Section-1	94
7-2. Block Diagram – MIB Section –	31	8-4. Chassis Section-2	95
7-3. Block Diagram – VIDEO Section –	32	8-5. DVD Mechanism Deck Section-1 (CDM69EH-DVBU101)	96
7-4. Block Diagram – AMP Section –	33	8-6. DVD Mechanism Deck Section-2 (CDM69EH-DVBU101)	97
7-5. Block Diagram – AUDIO Section –	34	8-7. DVD Mechanism Deck Section-3 (CDM69EH-DVBU101)	98
7-6. Block Diagram – MAIN Section –	35	8-8. DVD Mechanism Deck Section-4 (CDM69EH-DVBU101)	99
7-7. Block Diagram – DIAT TRANSMIT Section –	36	8-9. DVD Mechanism Deck Section-5 (CDM69EH-DVBU101)	100
7-8. Printed Wiring Board – CHANGER Section –	37	8-10. DVD Mechanism Deck Section-6 (CDM69EH-DVBU101)	101
7-9. Schematic Diagram – CHANGER Section –	38	8-11. Optical Pick-up Section (KHM-310CAB)	102
7-10. Printed Wiring Board – DMB10 Section (Side A) –	39	9. ELECTRICAL PARTS LIST	103
7-11. Printed Wiring Board – DMB10 Section (Side B) –	40		

SECTION 1 SERVICING NOTE

NOTES ON HANDLING THE OPTICAL PICK-UP BLOCK OR BASE UNIT

The laser diode in the optical pick-up block may suffer electrostatic break-down because of the potential difference generated by the charged electrostatic load, etc. on clothing and the human body. During repair, pay attention to electrostatic break-down and also use the procedure in the printed matter which is included in the repair parts.

The flexible board is easily damaged and should be handled with care.

NOTES ON LASER DIODE EMISSION CHECK

The laser beam on this model is concentrated so as to be focused on the disc reflective surface by the objective lens in the optical pick-up block. Therefore, when checking the laser diode emission, observe from more than 30 cm away from the objective lens.

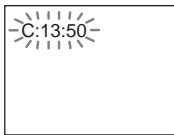
LASER DIODE AND FOCUS SEARCH OPERATION CHECK

Carry out the "S curve check" in "CD section adjustment" and check that the S curve waveform is output several times.

Self-diagnosis Function

(When letters/numbers appear in the display)

When the self-diagnosis function is activated to prevent the system from malfunctioning, a 5-character service number (e.g., C 13 50) with a combination of a letter and 4 digits appears on the screen and the front panel display. In this case, check the following table.



First 3 characters of the service number	Cause and/or corrective action
C 13	The disc is dirty. ➔Clean the disc with a soft cloth
C 31	The disc is not inserted correctly. ➔Restart the system, then re-insert the disc correctly.
E XX (xx is a number)	To prevent a malfunction, the system has performed the self-diagnosis function. ➔Contact your nearest Sony dealer or local authorized Sony service facility and give the 5-character service number. Example: E 61 10

DISC SLOT LOCK

The disc slot lock function for the antitheft of an demonstration disc in the store is equipped.

Setting Procedure :

1. Press the button to turn the set on.
2. Press the button to set DVD function.
3. Insert a disc.
4. Press the stick and the button simultaneously for five seconds.
5. The message "LOCKED" is displayed and the slot is locked.

Releasing Procedure :

1. Press the stick and the button simultaneously for five seconds again.
2. The message "UNLOCKED" is displayed and the slot is unlocked.

Note: When "LOCKED" is displayed, the slot lock is not released by turning power on/off with the button.

Note 1: Regarding the notification symbol "R"

Because the number of the operating buttons of this product are limited, some operations require use of the operating buttons of the remote commander. When a specific operation requires use of the operating buttons of the remote commander, "R" is added to the specific operating procedure in this manual.

Example "R" The button of remote commander.

Note 2: Incorrect operations may be performed if the test mode is not entered properly.

In this case, press the button to turn the power off, and retry to enter the test mode.

Note 3: If the disc tray does not open and the message "LOCKED" appears, press the stick and the button simultaneously for 5 seconds or longer.

Then remove your fingers from the above stick and the button. The message "UNLOCKED" appears for 2 seconds and the disc tray opens.

Note on DMB10 board replacement

New part of EEPROM (IC103) on the DMB10 board cannot be used. Therefore, if the mounted DMB10 board (A-1111-270-A, etc.) is replaced, exchange new EEPROM (IC103) with that used before the replacement.

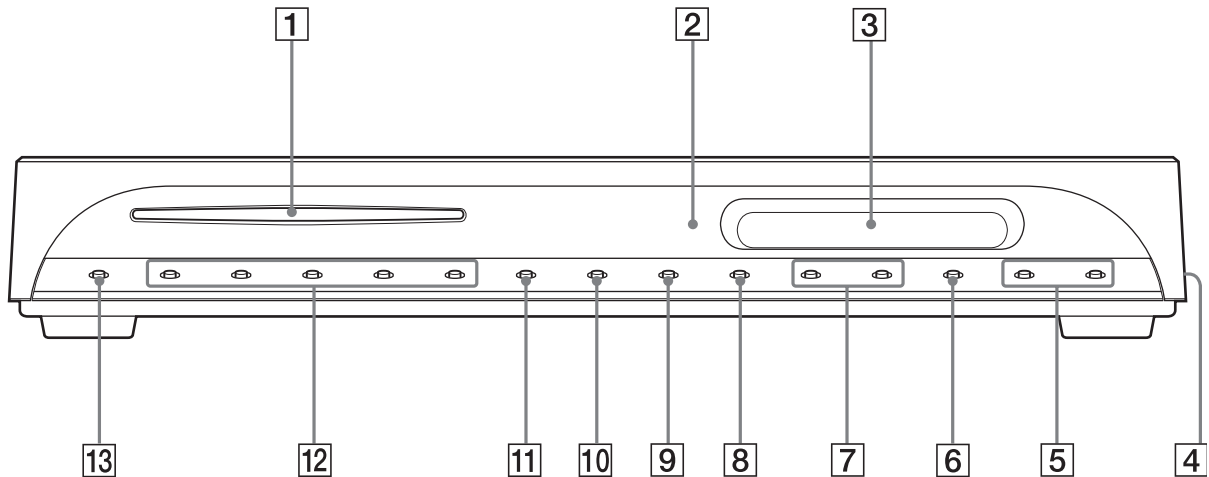
NOTE OF HANDLING THE MIB01 BOARD (A-1124-106-A)

When the MIB01 board is replaced by a repair for a fee, throw away the MIB01 board after obtaining consent of not returning of the MIB01 board to the customer. When throwing away the MIB01 board, be sure to throw away after destroying IC602 physically with the hammer etc.

SECTION 2
GENERAL

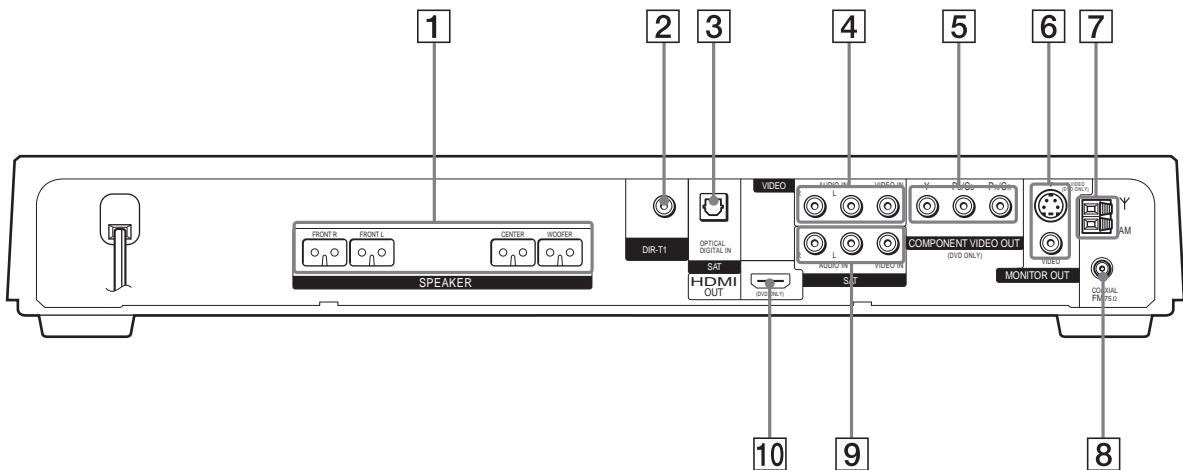
This section is extracted from instruction manual.

Front panel



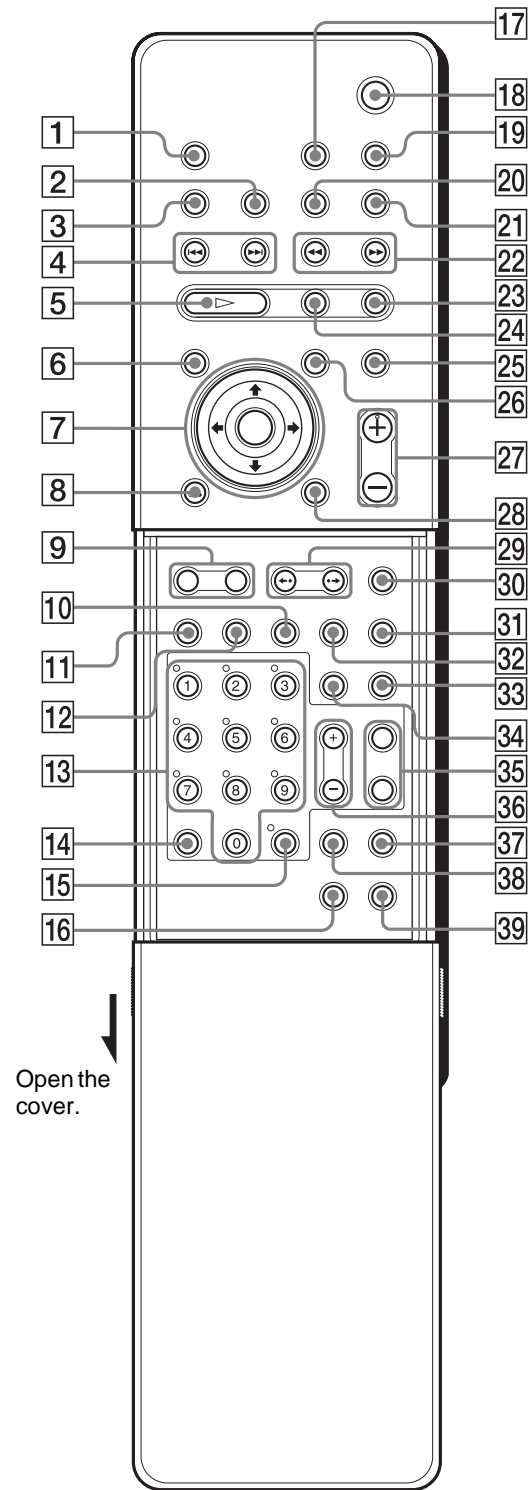
- | | |
|-------------------------------------|----------------------------------|
| 1 Disc slot (43) | 8 ■ (stop) (44, 89) |
| 2 (remote sensor) (13) | 9 (pause) (44) |
| 3 Front panel display (110) | 10 ▷ (play) (43) |
| 4 PHONES jack (43)
MIC jack (85) | 11 ≡ (eject) (43, 89) |
| 5 VOLUME +/- (43) | 12 DISC 1-5 (43) |
| 6 FUNCTION (43) | 13 I/⏻ (on/standby) (36, 43, 89) |
| 7 ◀◀/▶▶ (44) | |

Rear Panel



- | | |
|---------------------------------------|--|
| 1 SPEAKER jacks (15) | 6 MONITOR OUT (VIDEO / S VIDEO) jacks (27) |
| 2 DIR-T1 jack (15) | 7 AM terminal (26) |
| 3 SAT OPTICAL DIGITAL IN jack (34) | 8 FM75Ω COAXIAL jack (26) |
| 4 VIDEO VIDEO/AUDIO IN jacks (31, 34) | 9 SAT VIDEO/AUDIO IN jacks (31, 34) |
| 5 COMPONENT VIDEO OUT jacks (27) | 10 HDMI OUT jack (27) (HCD-FX1000W only) |

Remote



- 1 TV (79)
- 2 DISC SKIP (43)
- 3 SOUND FIELD (70)
- 4 ◀◀/▶▶ PRESET -/+, TV CH -/+ (39, 44, 84)
- 5 ▷ (play) (43)
The ▷ button has a tactile dot.*

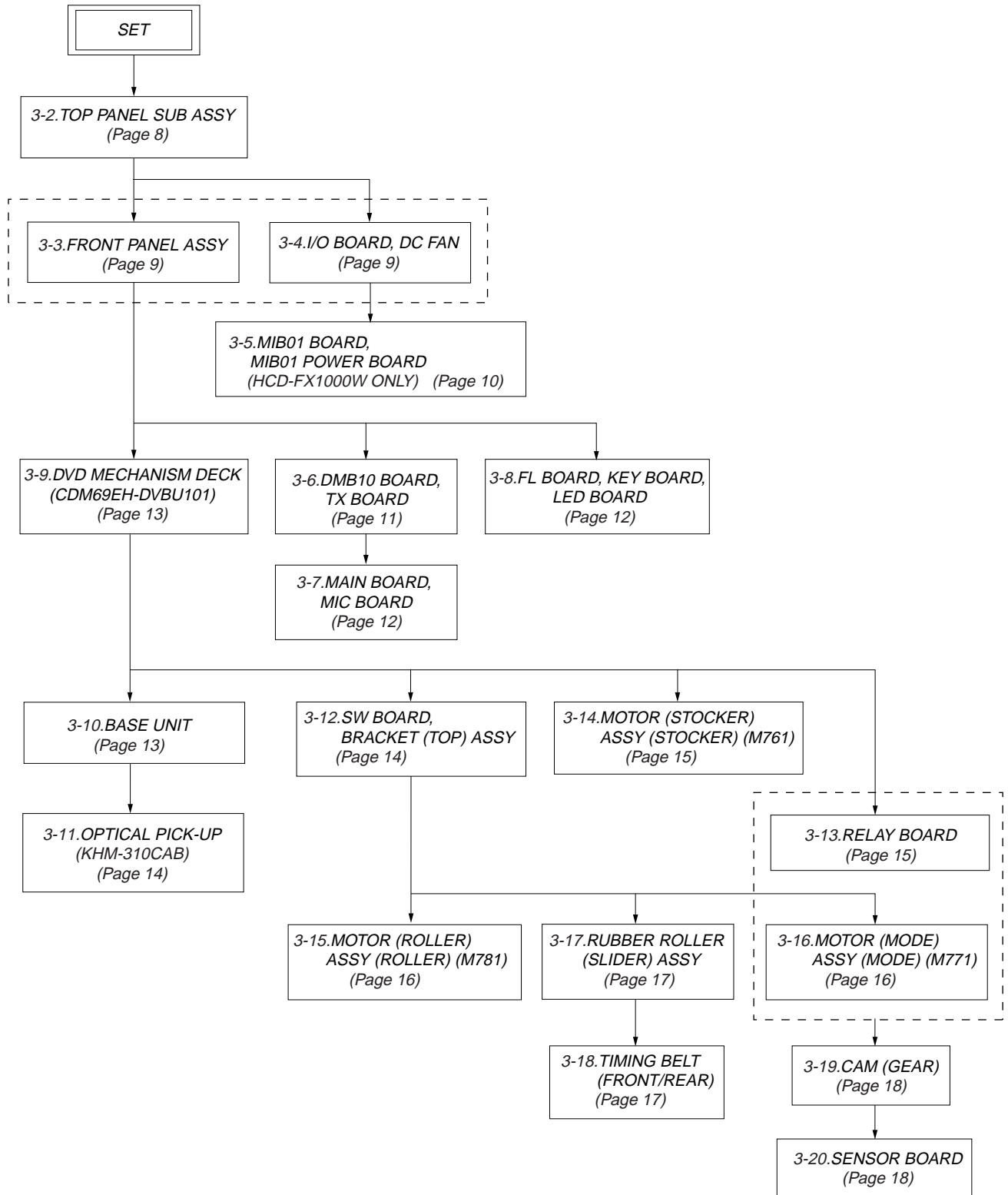
- 6 TOP MENU (48)
- 7 ←/↑/↓/→/ENTER (36, 45, 59, 70, 73, 75, 82, 90)
←/↑/↓/→ have tactile dots.*
- 8 ↶ RETURN (50)
- 9 ALBUM -/+ (44, 80)
- 10 ANGLE (74)
- 11 AUDIO (68)
The AUDIO button has a tactile dot.*
- 12 SUBTITLE (74)
- 13 Number buttons (48, 75, 79)
The number 5 button has a tactile dot.*
- 14 CLEAR, -/- (39, 45, 80)
- 15 REPEAT, FM MODE (47, 84)
- 16 PROGRESSIVE, TUNER MENU (29, 83)
- 17 TV I/⏻ (on/standby) (79)
- 18 I/⏻ (on/standby) (36, 43, 84)
- 19 THEATRE SYNC (80)
- 20 TV/VIDEO, SLEEP (79, 88)
- 21 FUNCTION (29, 43, 72, 82)
- 22 ◀◀/▶▶ ◀/▶ SLOW, TUNING -/+ (60, 83)
- 23 ■ (stop) (44, 75, 84)
- 24 || (pause) (44)
- 25 MUTING (44)
- 26 MENU (48)
- 27 VOLUME, TV VOL +/- (43, 84)
The VOLUME, TV VOL + button has a tactile dot.*
- 28 ☹ DISPLAY (10, 39, 45, 75, 90)
- 29 ◀◀/◀/▶/▶▶ REPLAY, ADVANCE, STEP (44)
- 30 DISPLAY (84)
- 31 DSGX (73)
- 32 PICTURE NAVI (54)
- 33 KARAOKE (85)
- 34 ECHO (86)
- 35 KEYCON #/b (86)
The KEYCON # button has a tactile dot.*
- 36 MIC VOL +/- (86)
- 37 MULTI/2CH (49)
- 38 SA-CD/CD (49)
- 39 AMP MENU (36, 59, 73, 82)

* Use the tactile dot as a reference when operating the system.

SECTION 3 DISASSEMBLY

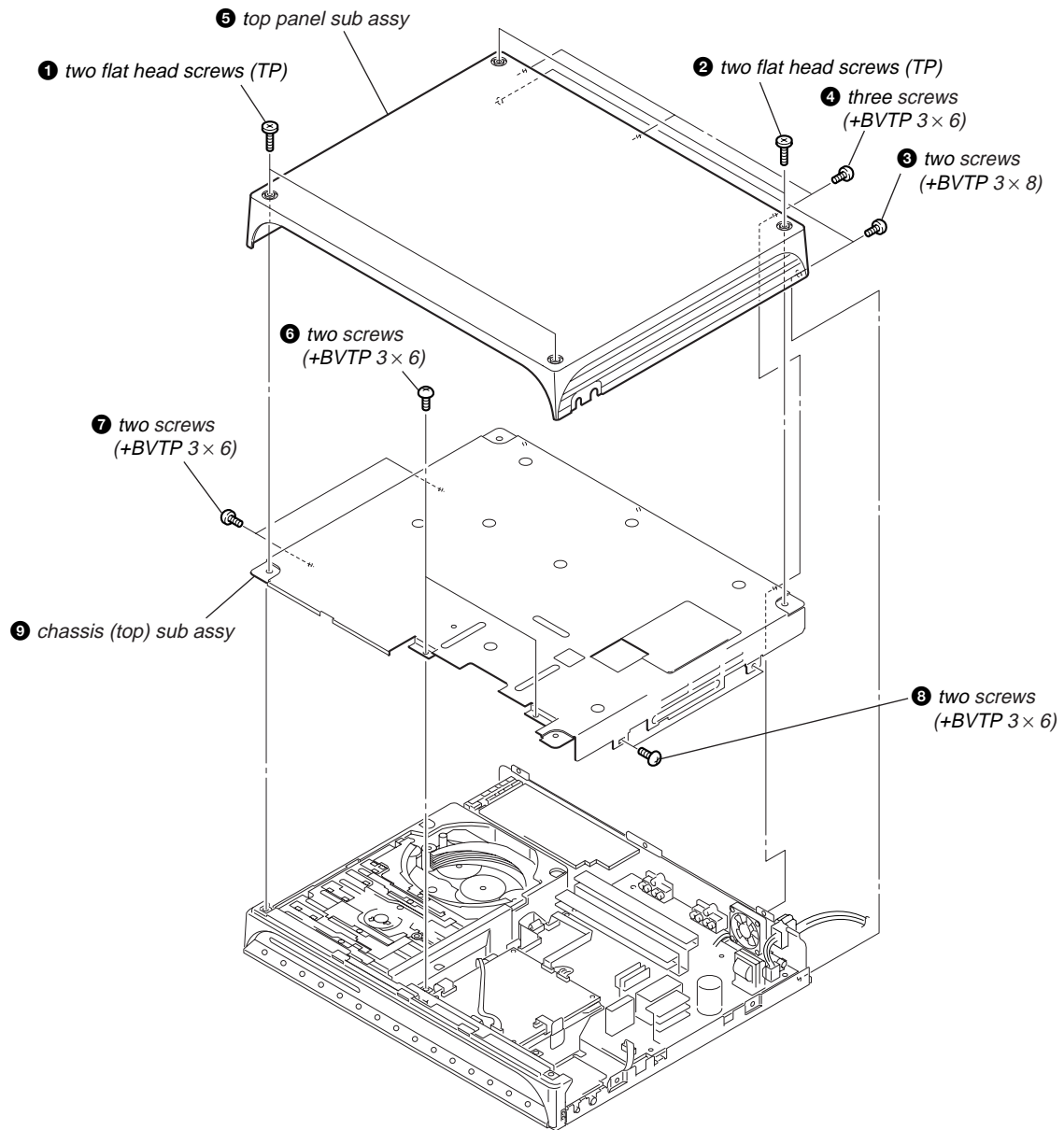
3-1. DISASSEMBLY FLOW

- This set can be disassembled in the order shown below.
- The dotted square with arrow (□→) prompts you to move to the next job when all of the works within the dotted square (□) are completed.

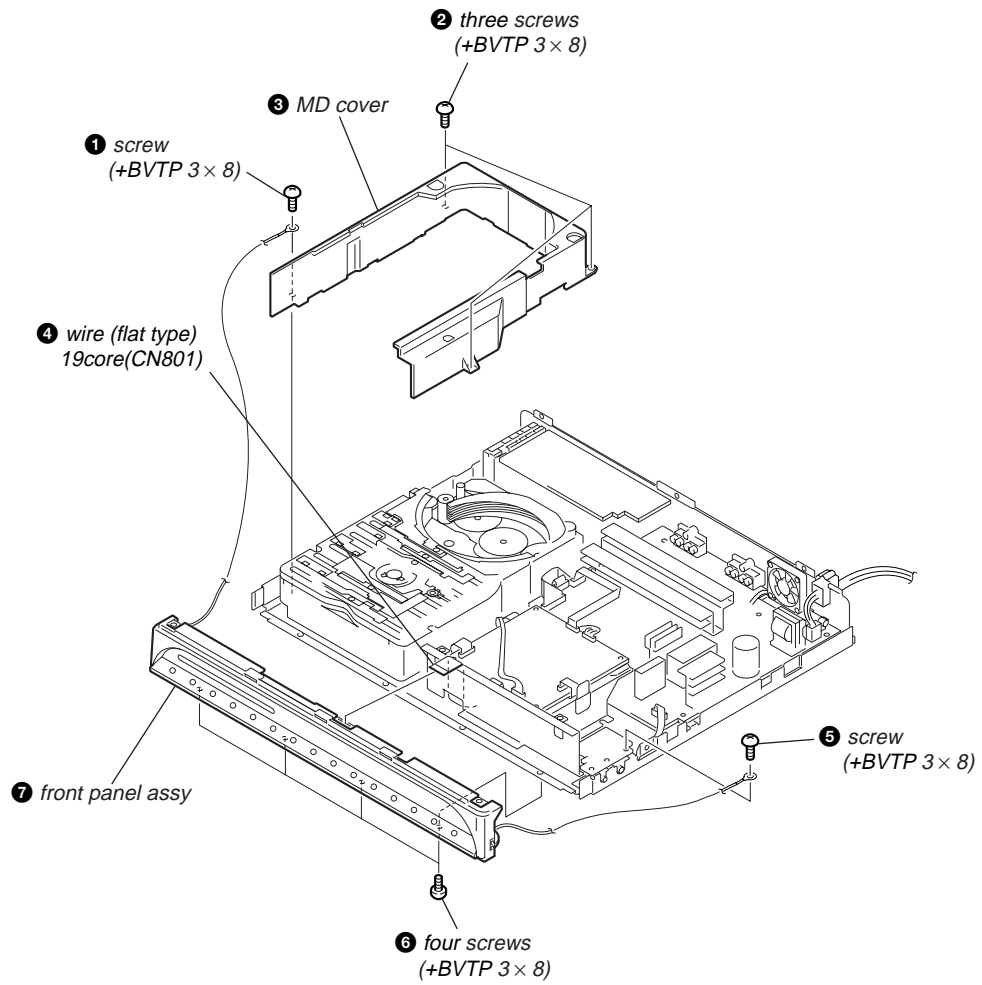


Note: Follow the disassembly procedure in the numerical order given.

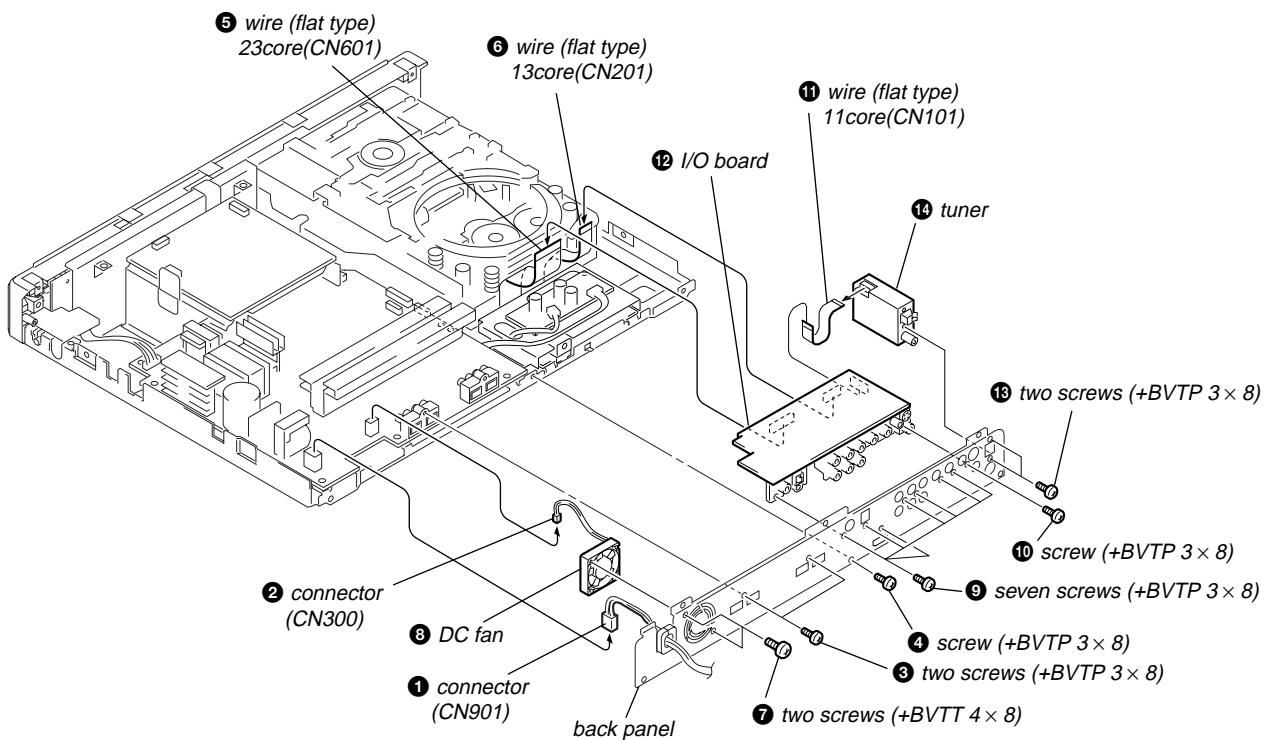
3-2. TOP PANEL SUB ASSY



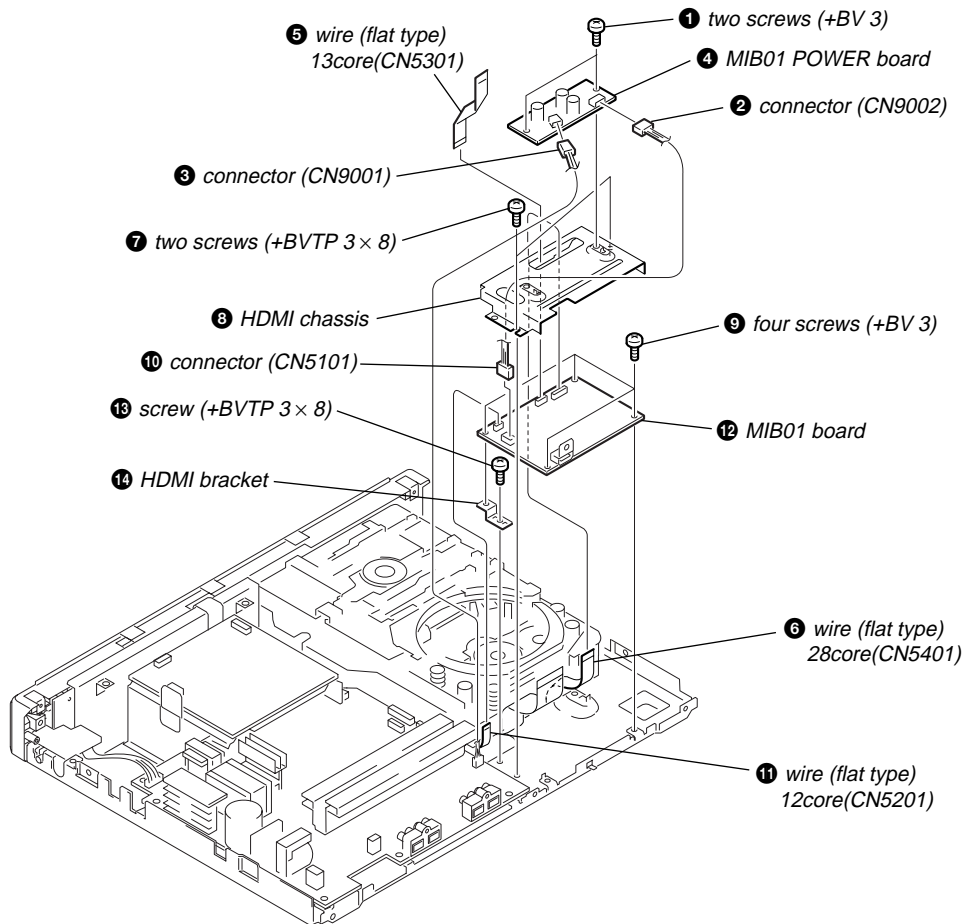
3-3. FRONT PANEL ASSY



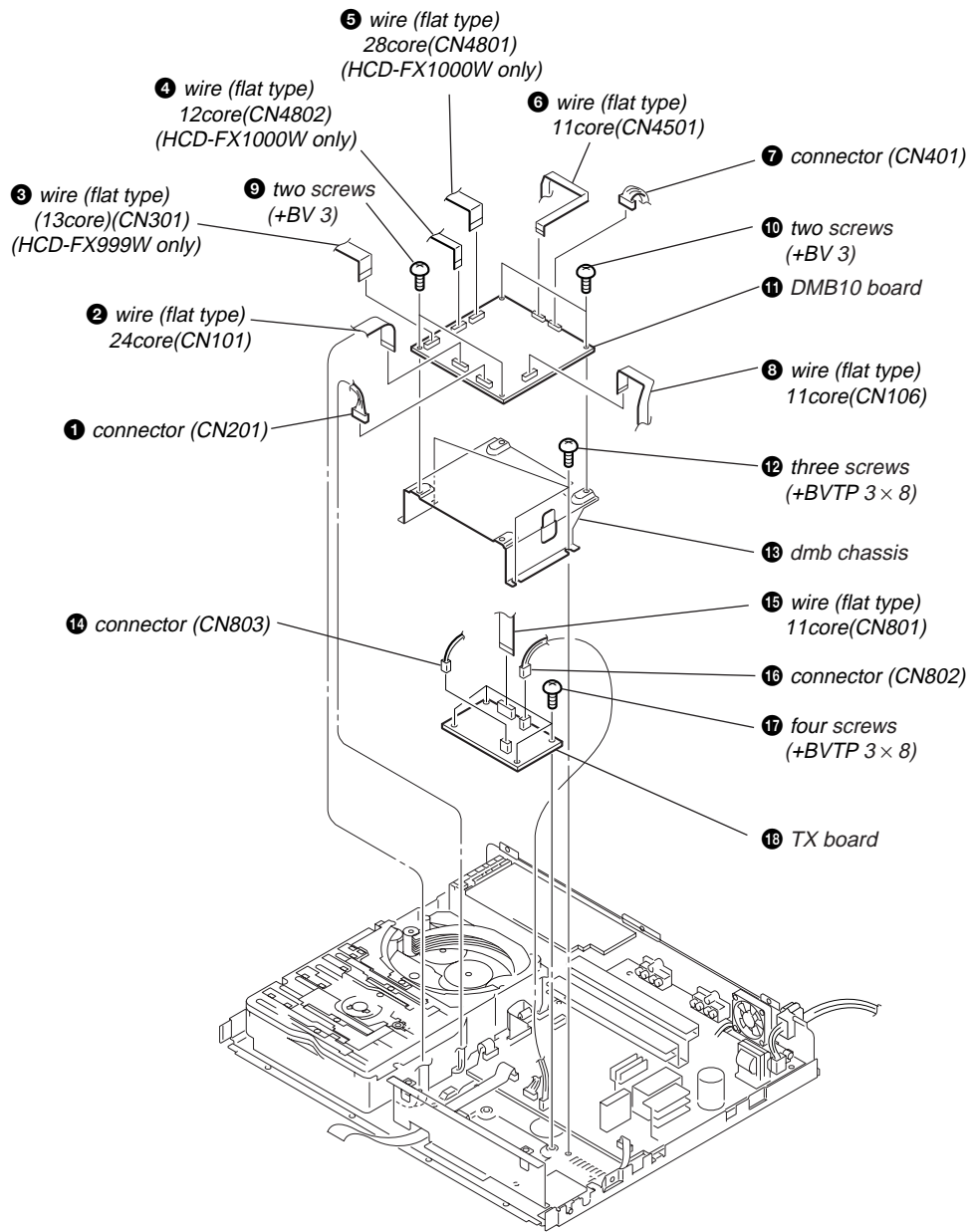
3-4. I/O BOARD, DC FAN



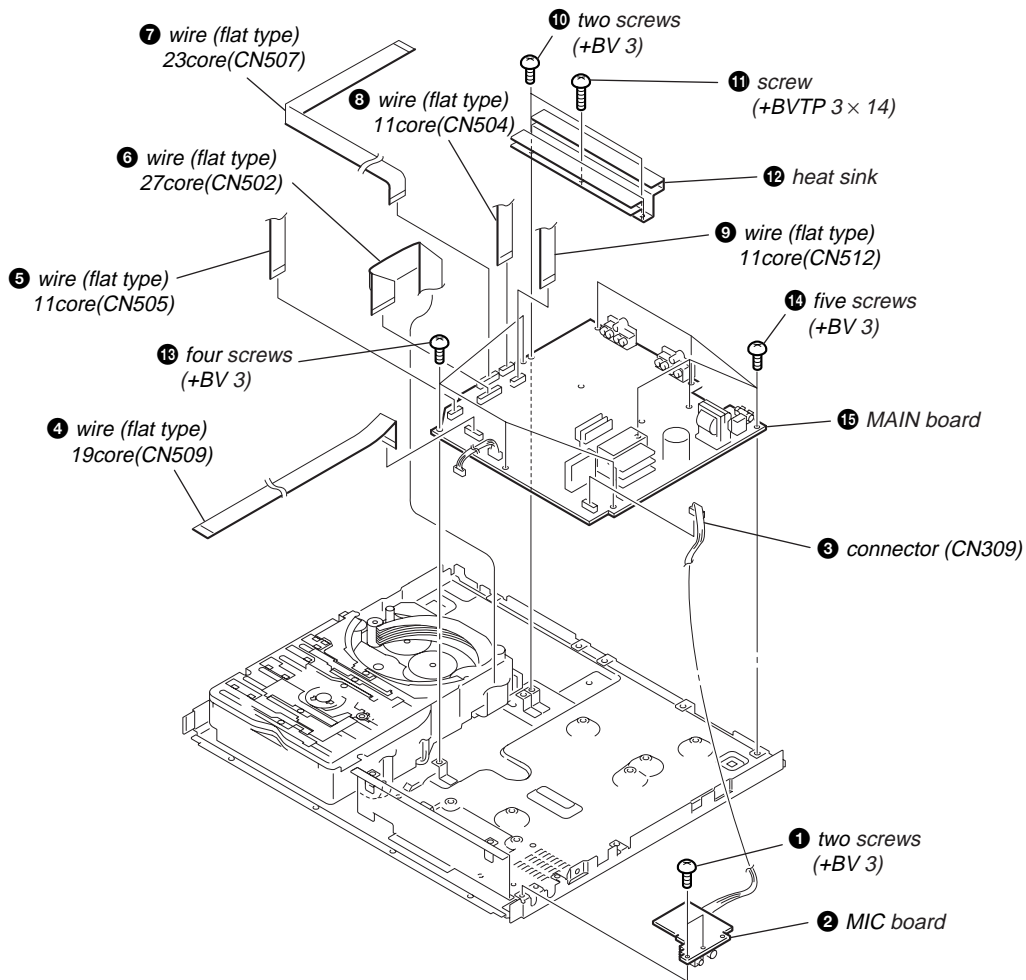
3-5. MIB01 BOARD, MIB01 POWER BOARD (HCD-FX1000W ONLY)



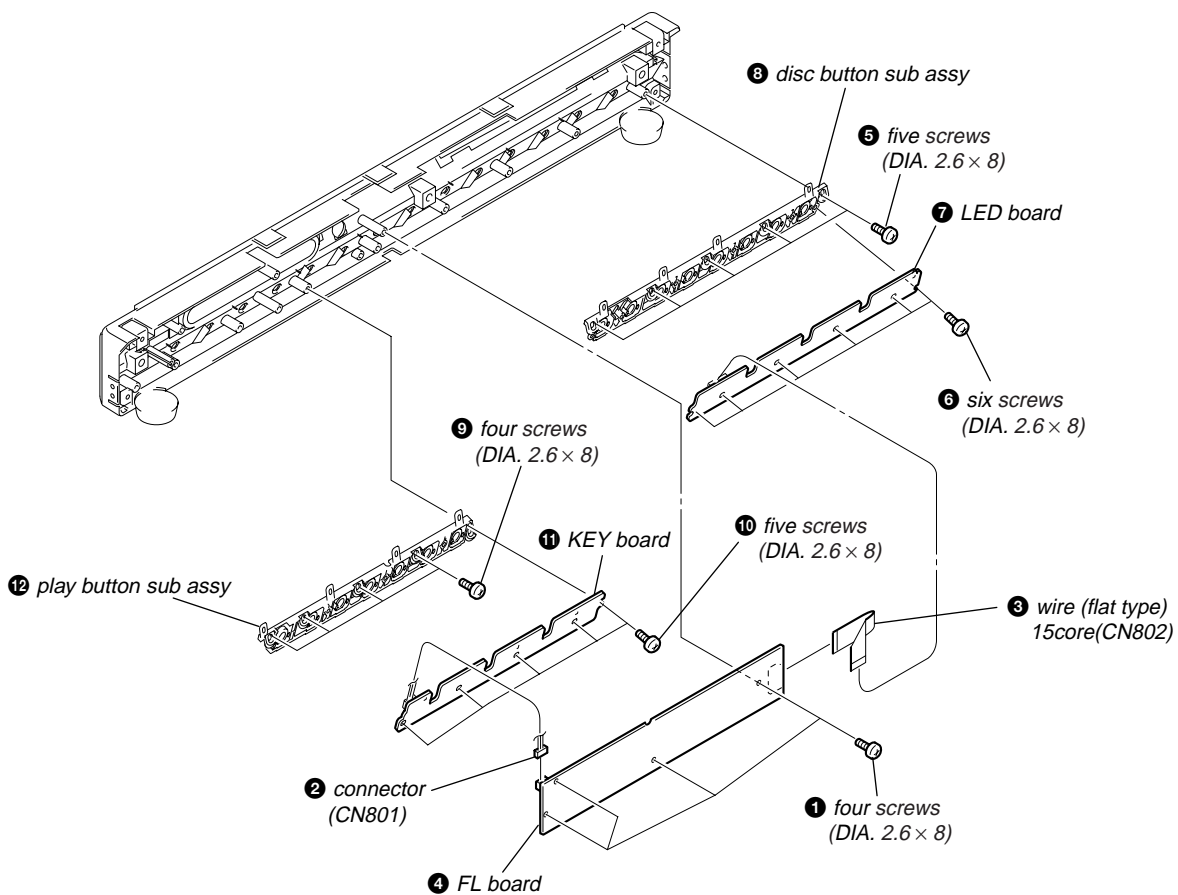
3-6. DMB10 BOARD, TX BOARD



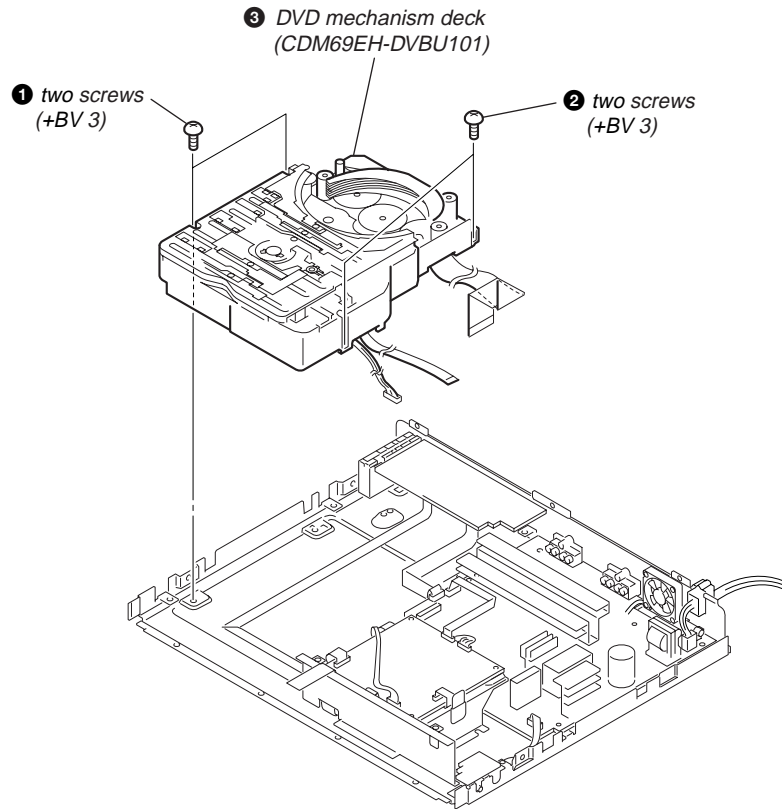
3-7. MAIN BOARD, MIC BOARD



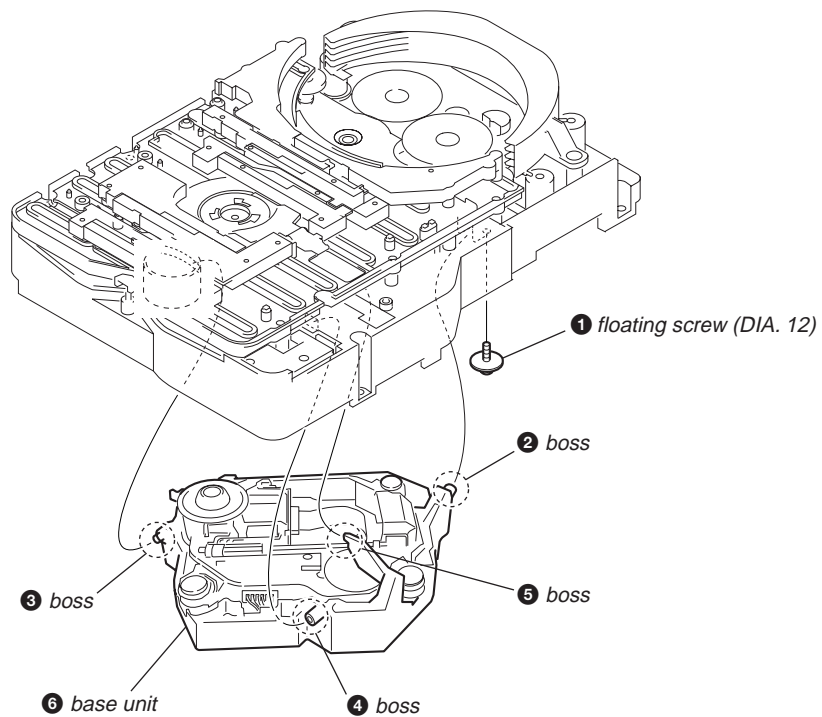
3-8. FL BOARD, KEY BOARD, LED BOARD



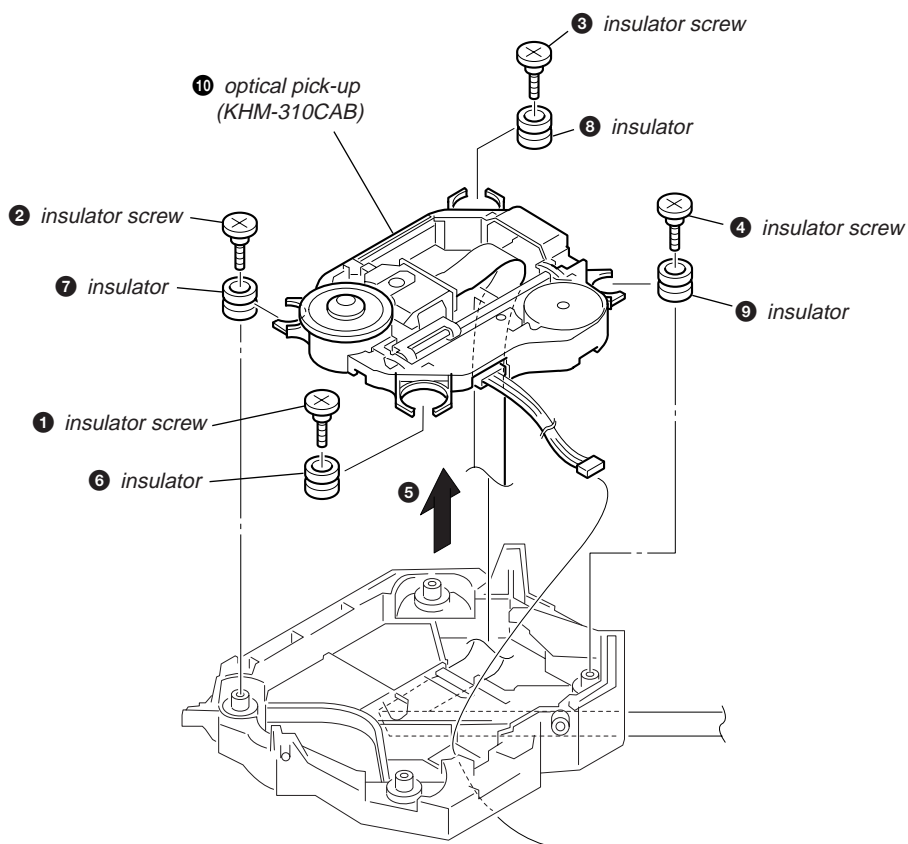
3-9. DVD MECHANISM DECK (CDM69EH-DVBU101)



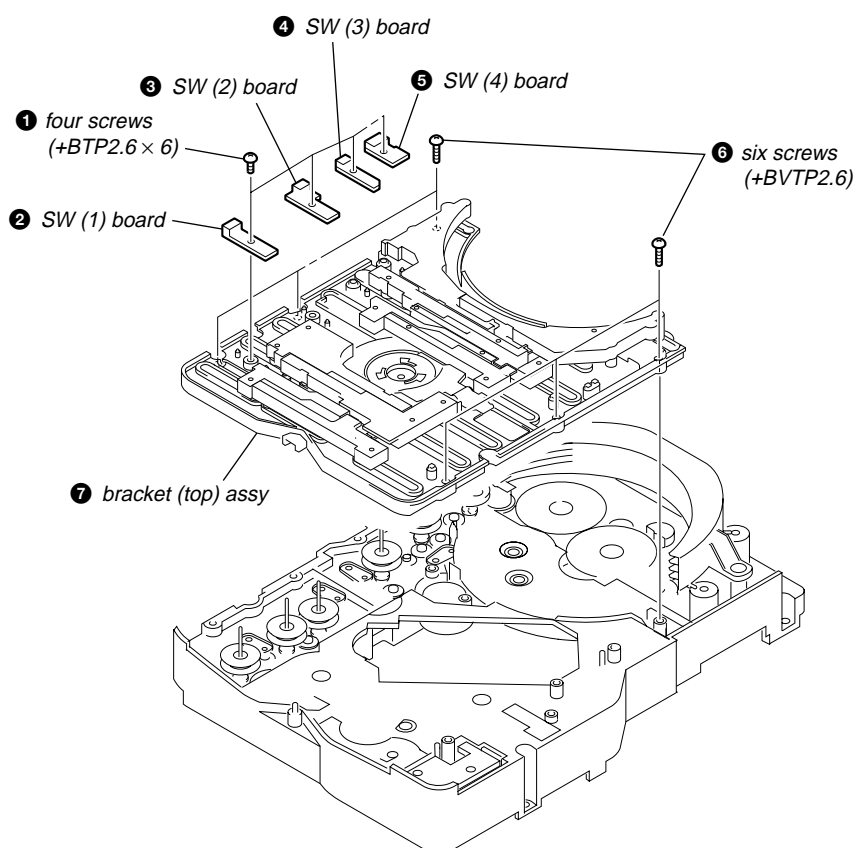
3-10. BASE UNIT



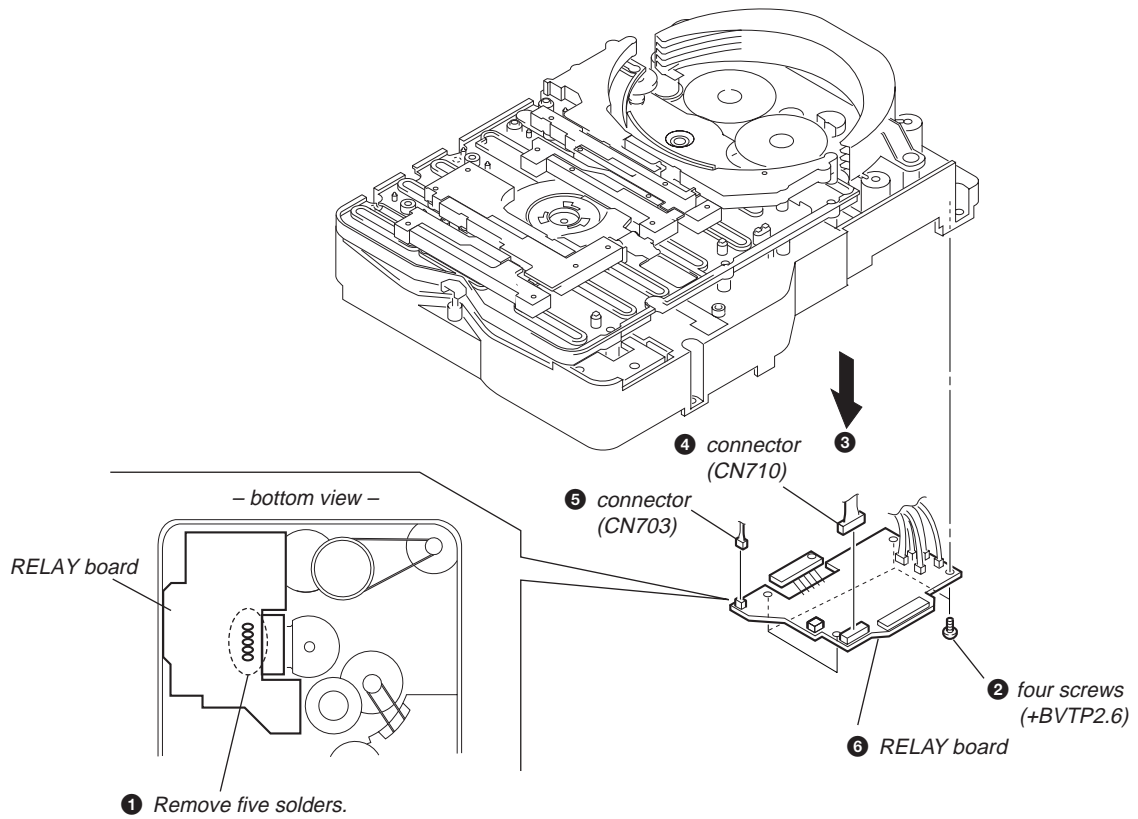
3-11. OPTICAL PICK-UP (KHM-310CAB)



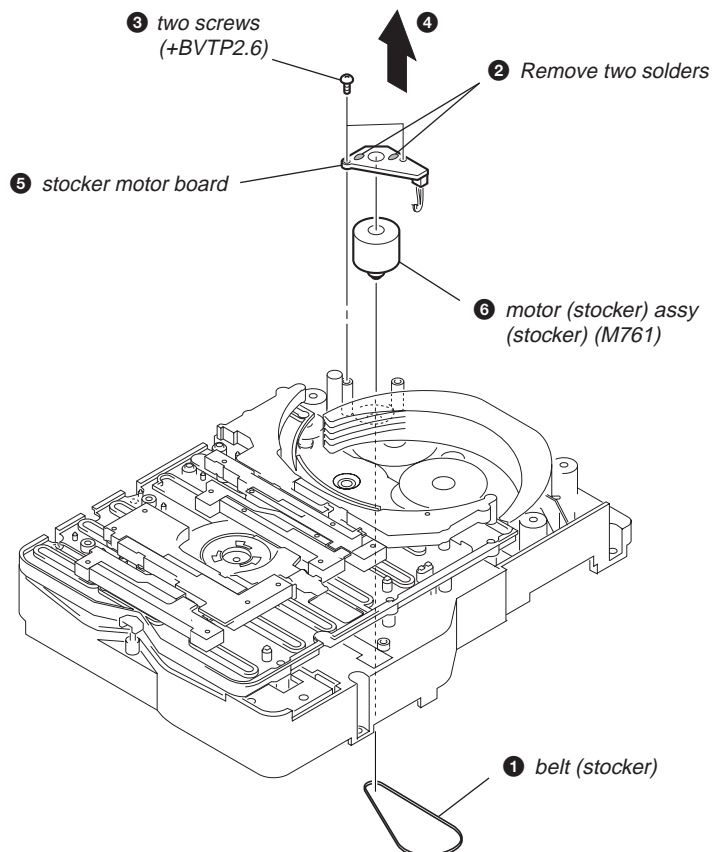
3-12. SW BOARD, BRACKET (TOP) ASSY



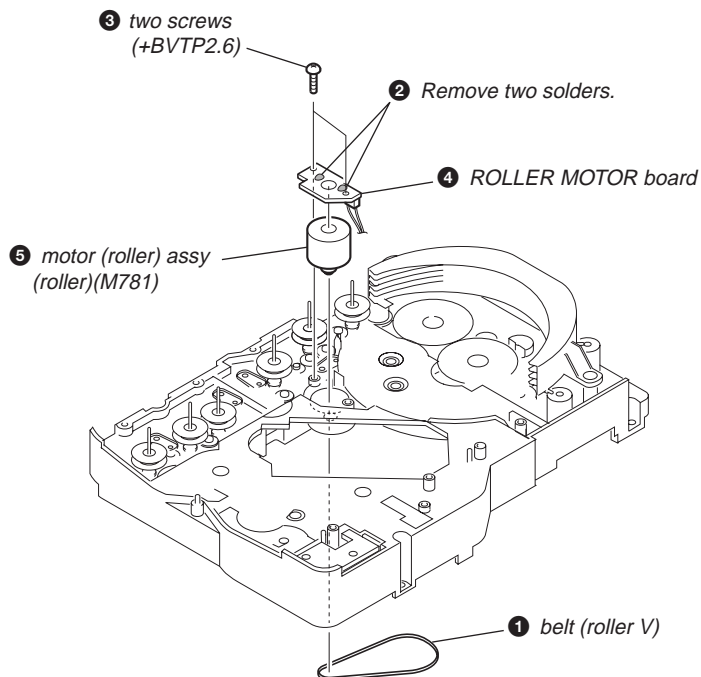
3-13. RELAY BOARD



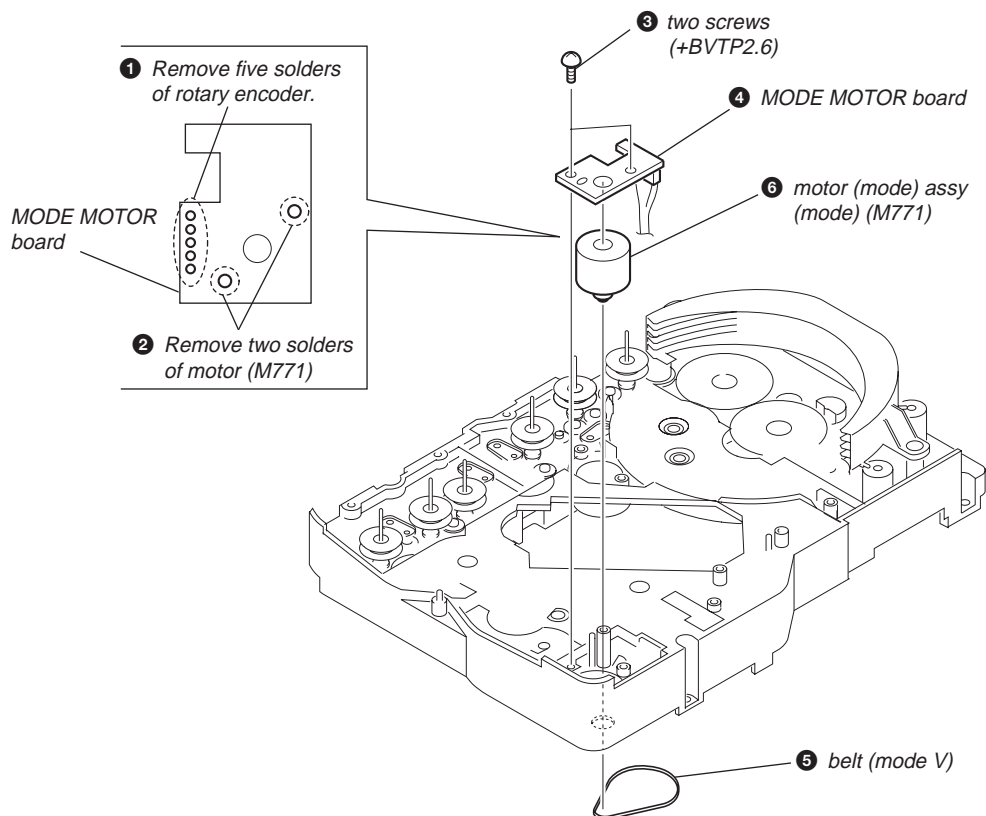
3-14. MOTOR (STOCKER) ASSY (STOCKER)(M761)



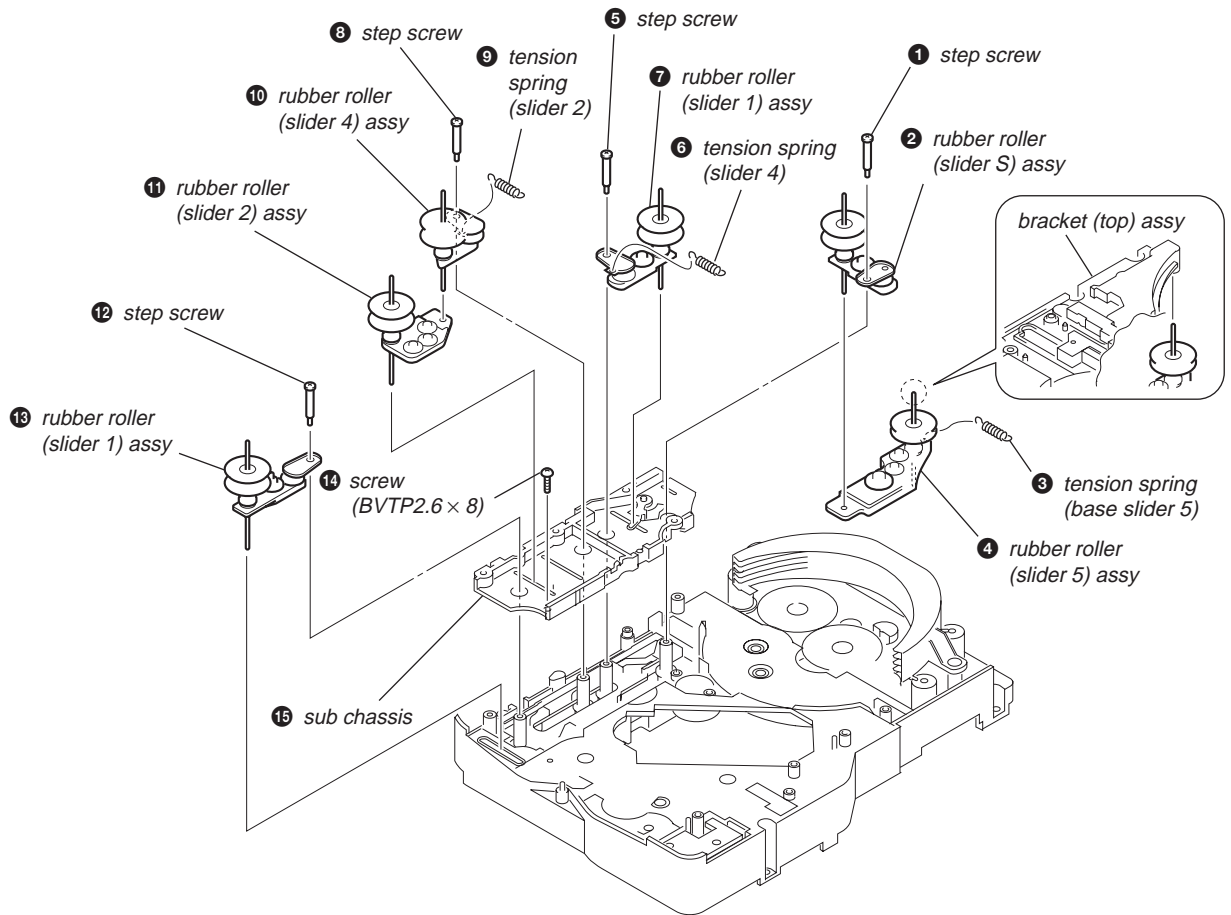
3-15. MOTOR (ROLLER) ASSY (ROLLER)(M781)



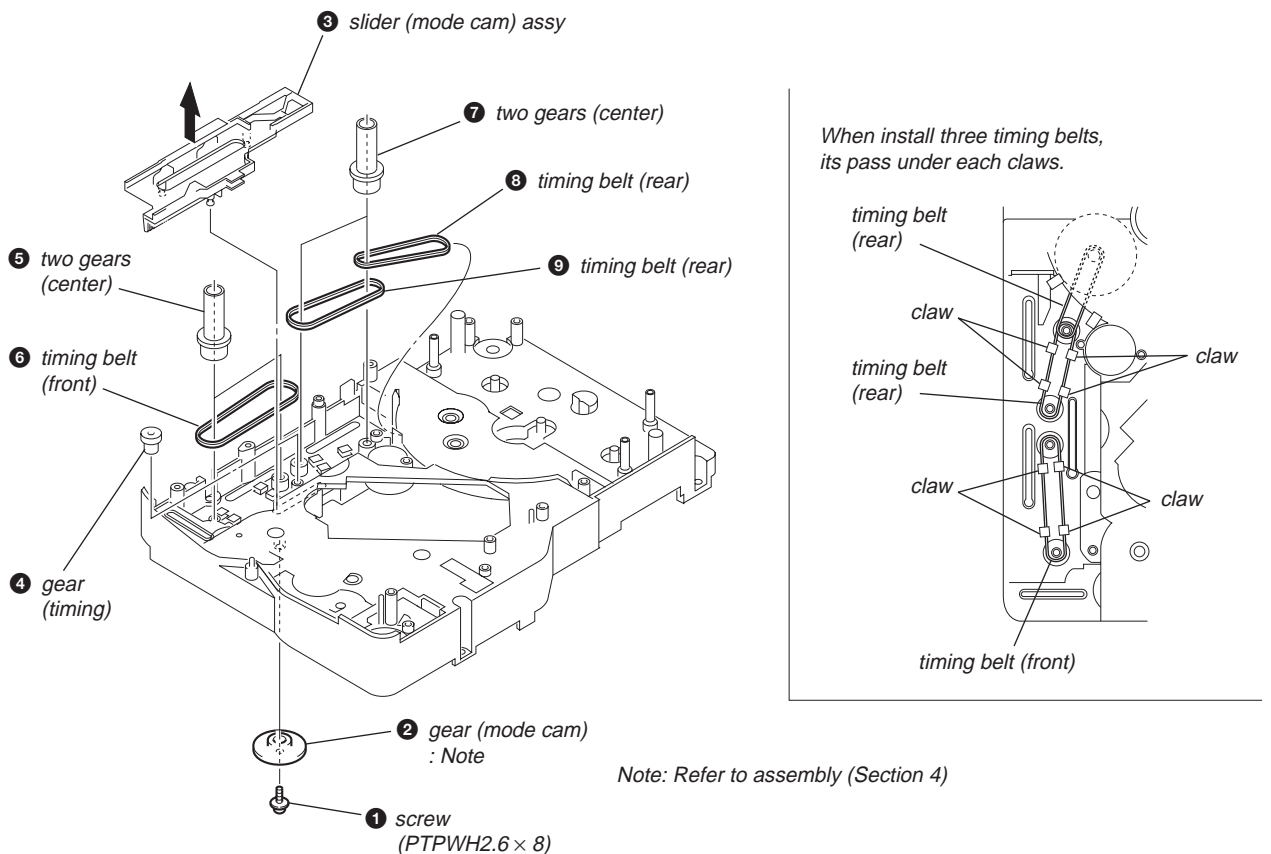
3-16. MOTOR (MODE) ASSY (MODE)(M771)



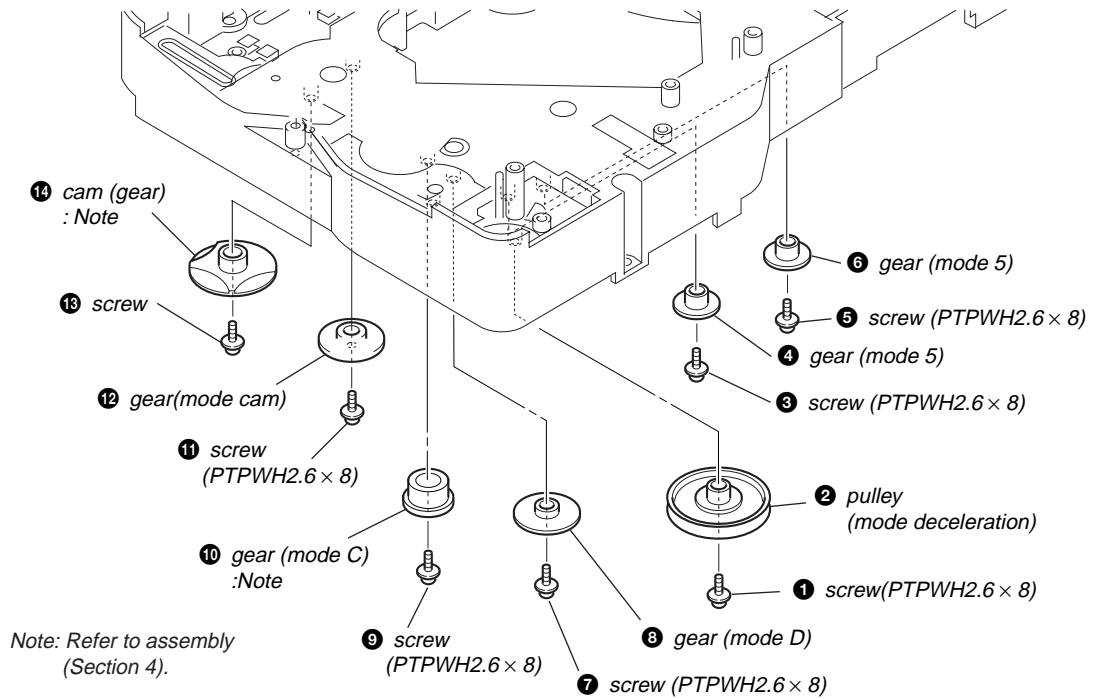
3-17. RUBBER ROLLER (SLIDER) ASSY



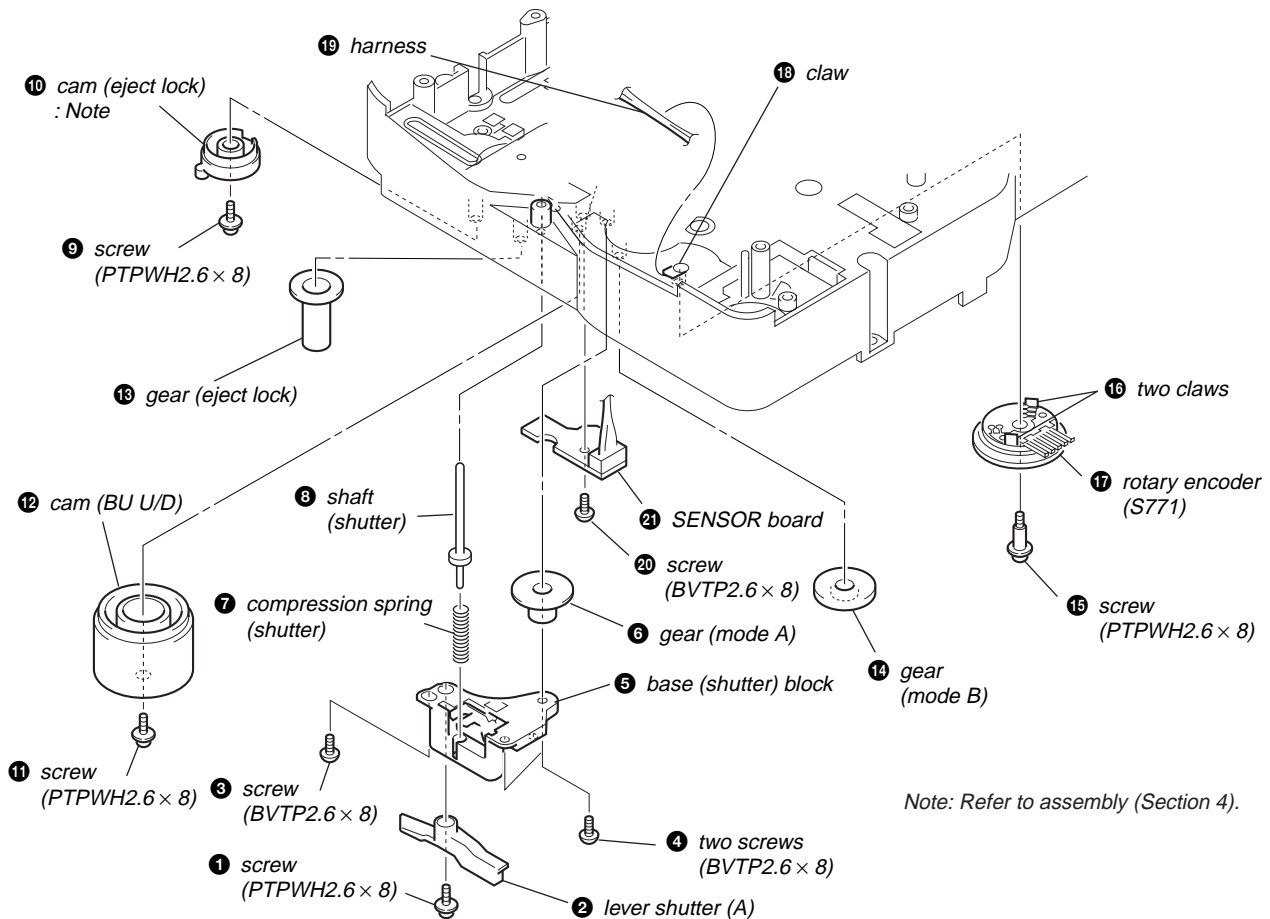
3-18. TIMING BELT (FRONT/REAR)



3-19. CAM (GEAR)



3-20. SENSOR BOARD

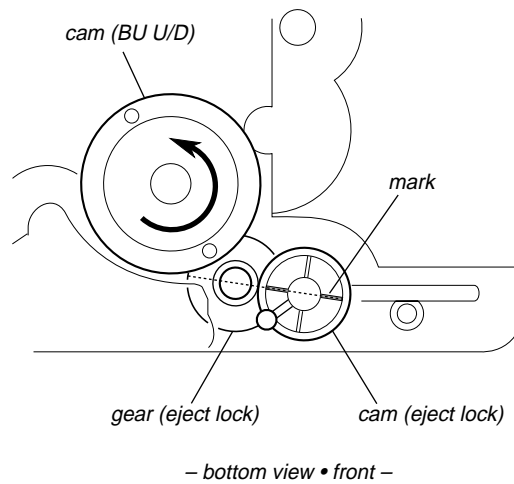


SECTION 4 ASSEMBLY

- This set can be assembled in the order shown below.

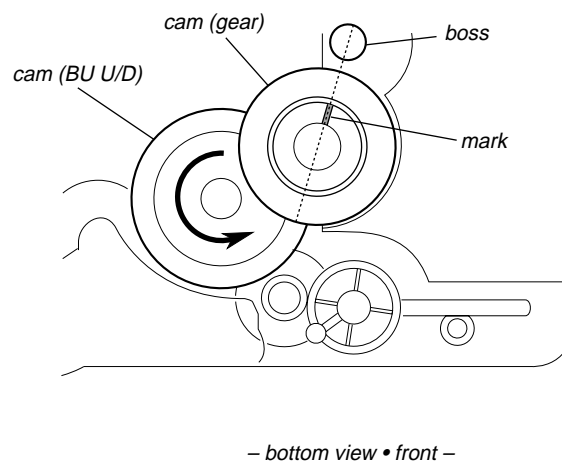
4-1. HOW TO INSTALL THE CAM (EJECT LOCK)

- ① Rotate the cam (BU U/D) fully in the direction of arrow.
- ② Engage the gear (eject lock) and the gear of the cam (eject lock) aligning the mark with the center of the gear (eject lock).



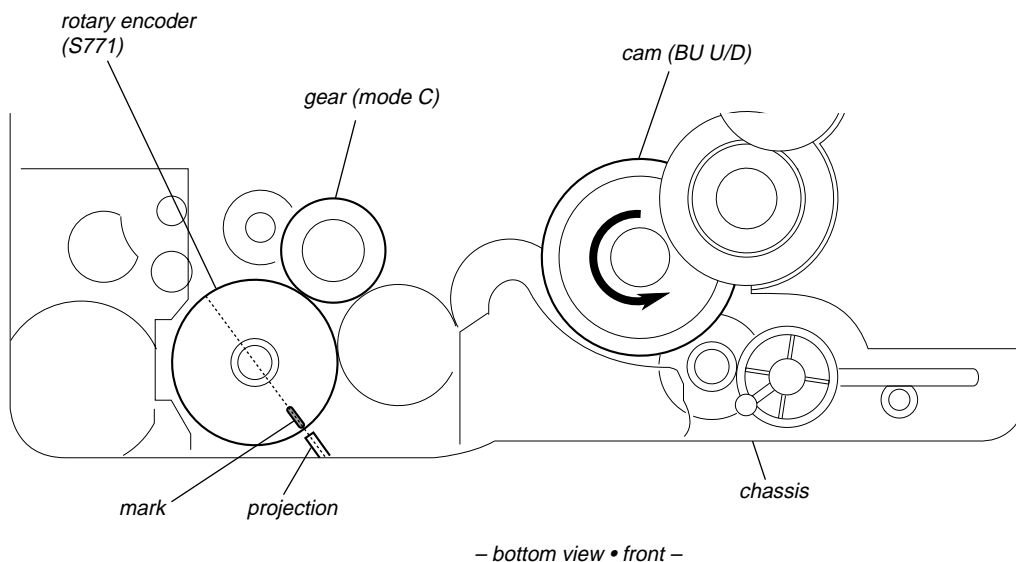
4-2. HOW TO INSTALL THE CAM (GEAR)

- ① Check that the cam (BU U/D) can not be rotated in the direction of arrow.
- ② Align the mark on the cam (gear) with the boss as shown in the figure and install the cam (gear).



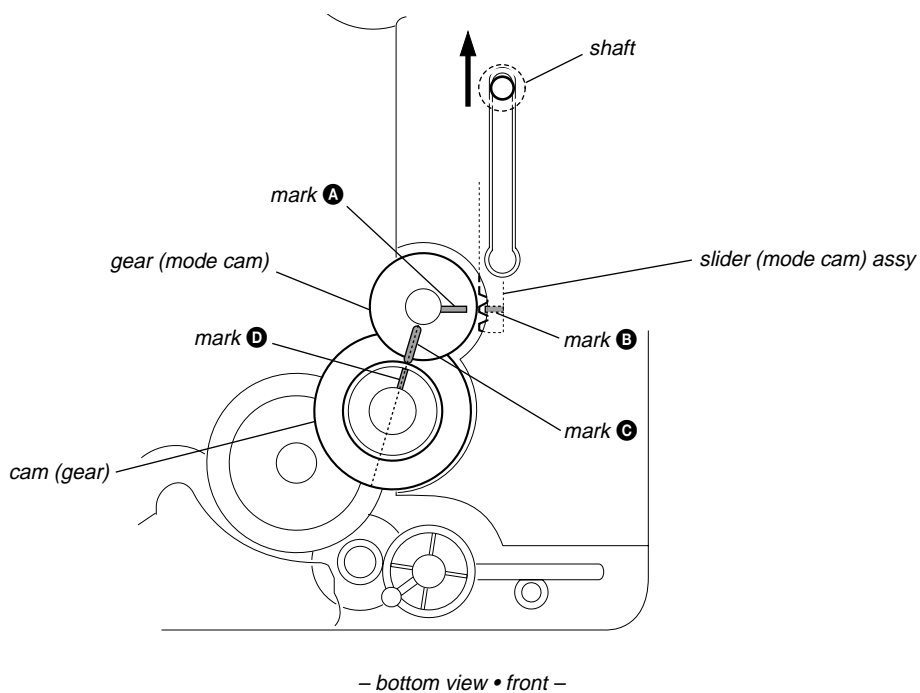
4-3. HOW TO INSTALL THE GEAR (MODE C)

- ❶ Align the mark on the rotary encoder (S771) with the projection of the assy.
- ❷ Check that the cam (BU U/D) can not be rotated in the direction of arrow.
- ❸ Install the gear (mode C)

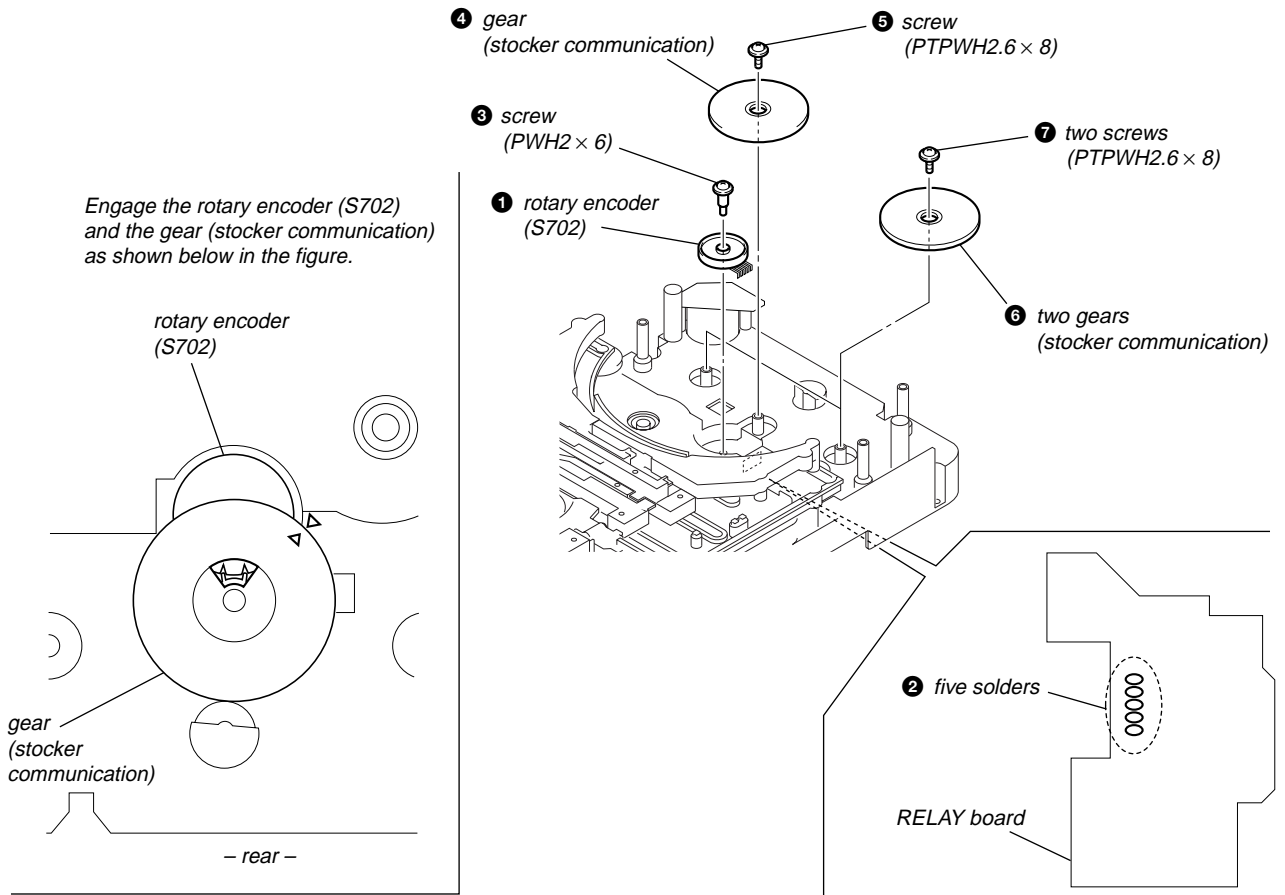


4-4. HOW TO INSTALL THE GEAR (MODE CAM)

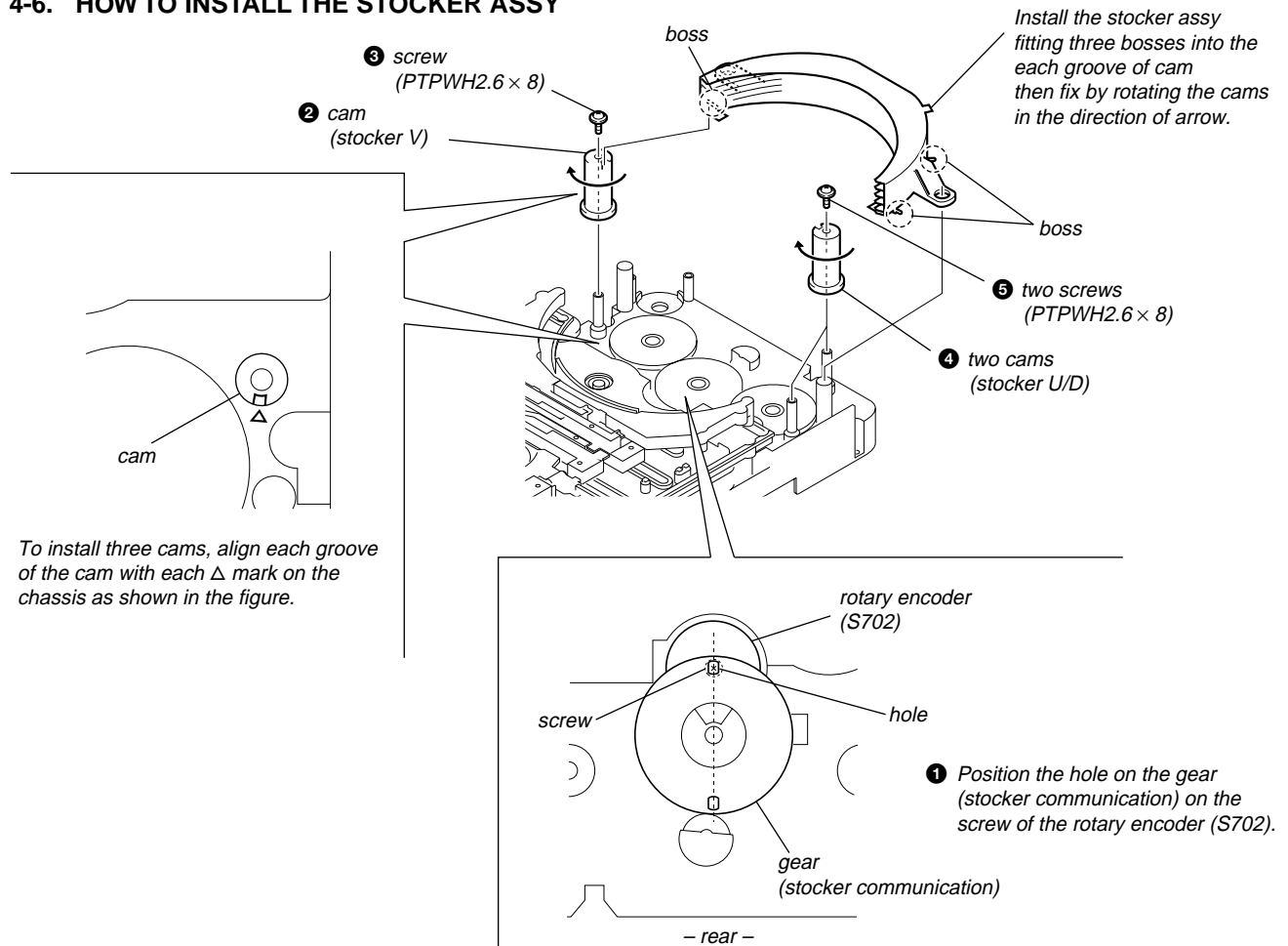
- ❶ Slide the shaft in the direction of arrow.
- ❷ Align mark **A** on the gear (mode cam) with mark **B** on the slider (mode cam) assy, then install the gear (mode cam).
- ❸ Check that mark **C** on the gear (mode cam) is in alignment with mark **D** on the cam (gear).



4-5. HOW TO INSTALL THE ROTARY ENCODER (S702), GEAR (STOCKER COMMUNICATION)



4-6. HOW TO INSTALL THE STOCKER ASSY



SECTION 5 TEST MODE

Note 1: Regarding the notification symbol “R”
Because the number of the operating buttons of this product are limited, some operations require use of the operating buttons of the remote commander. When a specific operation requires use of the operating buttons of the remote commander, “R” is added to the specific operating procedure in this manual. Example “R”. The button of remote commander.

Note 2: Incorrect operations may be performed if the test mode is not entered properly.
In this case, press the button to turn the power off, and retry to enter the test mode.

1. Cold Reset

- The cold reset clears all data including preset data stored in the RAM to initial conditions. Execute this mode when returning the set to the customers.

Procedure:

- Press the button to turn the power on.
- Press three buttons , and simultaneously.
- When this button is operated, display as “COLD RESET” for a while and all of the settings are reset.

2. Panel Test Mode

- This mode is used to check the software version, LCD, LED and keyboard.

2-1. DVD LED Test Mode

Procedure:

- Press the button to turn on the power.
- Press three buttons , and simultaneously.
- When the display LED test mode is activated, all segments are turned on.
- To exit from this mode, pull out the AC plug.

2-2. Version Test Mode

Procedure:

- When the panel test mode is activated, press the button and the message “GC7GHW***” *1 is displayed, the version test mode is activated.
- Whenever press the button, the version is displayed in order of NA, MC, SYS, UI, DVD, CDMA, CDMB, ST005, TA, TM and GC7GHW*1.
- Press the button and the date of the software production is displayed.
- Press the button again and the version is displayed.
- To exit from this mode, pull out the AC plug.

2-3. Key Test Mode

Procedure:

- When the panel test mode is activated, press the button, to select the key test mode.
- To enter the KEY test mode, the fluorescent indicator displays “K0”. Each time a button is pressed, “KEY” value increases. However, once a button is pressed, it is no longer taken into account. When all keys are pressed correctly, “K15” is displayed.
- To exit from this mode, pull out the AC plug.

3. Disc Tray Lock

The disc tray lock function for the antitheft of an demonstration disc in the store is equipped.

Setting Procedure :

- Press the button to turn the set on.
- Press the button to set DVD function.
- Insert a disc.
- Press the button and the button simultaneously for five seconds.
- The message “LOCKED” is displayed and the tray is locked.

Releasing Procedure :

- Press the button and the button simultaneously for five seconds. again.
- The message “UNLOCKED” is displayed and the tray is unlocked.

Note: When “LOCKED” is displayed, the slot lock is not released by turning power on/off with the button.

4. DVD Ship Mode

- Use this mode when returning the set to the customer after repair.

Procedure:

- Press the button to turn the set on.
- Press the button to set the function “DVD”.
- Press three buttons , and simultaneously.
- After a message “MECHA LOCK” is displayed on the fluorescent indicator tube, pull out the AC plug.
- To exit from this mode, press the button to turn the set on.

5. DVD Debug In Mode

Procedure:

- Press the button to turn the set on.
- Press the button to set the function “DVD”.
- Press the three buttons , and simultaneously.
- To exit from this mode, press the button to turn the set on.

6. AM Step Change

- A step of AM channels can be changed over between 9 kHz and 10 kHz.

Procedure:

- Press button to turn the set ON.
- Select the function “TUNER”, and press button to select the BAND “AM”.
- Press button to turn the set OFF.
- Press and buttons simultaneously, and the display of fluorescent indicator tube changes to “AM 9 k STEP” or “AM 10 k STEP”, and thus the channel step is changed over.

*1 In HCD-FX999W, “GC7GW***” is displayed.

DVD SECTION

[TEST DISC LIST]

Be sure to use the DVD disc that matches the signal standards of your region.




- CD
 - YEDS-18 (Part No.: 3-702-101-01)
 - PATD-012 (Part No.: 4-225-203-01)
- DVD SL (Single Layer)
 - NTSC : HLX-503 (Part No.: J-6090-069-A)
 - HLX-504 (Part No.: J-6090-088-A)
 - PAL : HLX-506 (Part No.: J-6090-077-A)
- DVD DL (Dual Layer)
 - NTSC : HLX-501 (Part No.: J-6090-071-A)
 - HLX-505 (Part No.: J-6090-089-A)
 - PAL : HLX-507 (Part No.: J-6090-078-A)

4-1. GENERAL DESCRIPTION

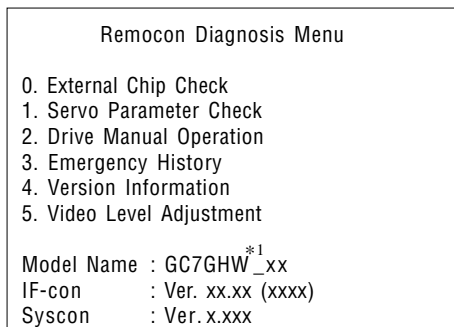
The Mirror Time and IOP measurement allows you to make diagnosis and adjustment simply by using the remote commander and monitor TV. The instructions, diagnosis results, etc. are given on the on screen display (OSD).

The Mirror Time and IOP measurement is required in such events where servicing a DVD-Player includes changing the Base Unit (BU). For each new BU to be used with a certain MV-044 board, Mirror Time and IOP measurement need to be carried out.

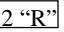
4-2. STARTING TEST MODE

Press three buttons ,  and  simultaneously with the DVD player in standby mode.


The Test Mode starts, then the menu shown below will be displayed on the TV screen.

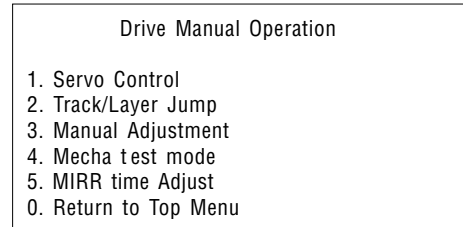


*1 In HCD-FX999W, "GC7GW***" is displayed.


The menu above is the Remocon Diagnosis Menu screen which consists of six main function. At the bottom of the menu screen, the model name and IF-con version. To enter Mirror Time Adjustment menu, press button  on the remote commander to enter Drive Manual Operation menu. To exit from the Test Mode, press the power button on the remote commander.

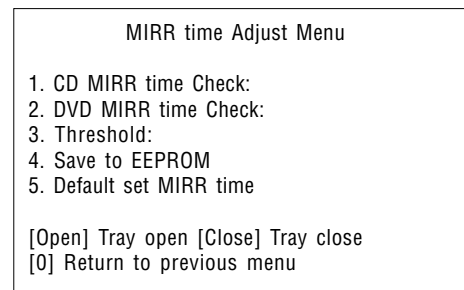
4-3. DRIVE MANUAL OPERATION

The Drive Manual Operation menu consists of five main function. By pressing  button on the remote commander in the Remocon Diagnosis Menu, the screen will appear as below.



4-4. MIRROR TIME ADJUSTMENT

To enter Mirror Time Adjustment, press  button on the remote commander. The screen will appear as below.



There are five main commands in the MIRR time Adjust menu as shown in the figure above. The functions of each command are described in the following page.

1. CD MIRR time Check

This command checks the Mirror time value for CD disc.

2. DVD MIRR time Check

This command checks the Mirror time value for DVD disc.

3. Threshold

This command displays the threshold value between CD and DVD mirror time.


4. Save to EEPROM

This command saves an adjusted mirror time value to the EEPROM.

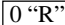
5. Default set MIRR time

This command will set CD and DVD mirror time to firmware default value.

[Open] / [Close]




Pressing the  button controls the tray for disc change during mirror time adjustment.

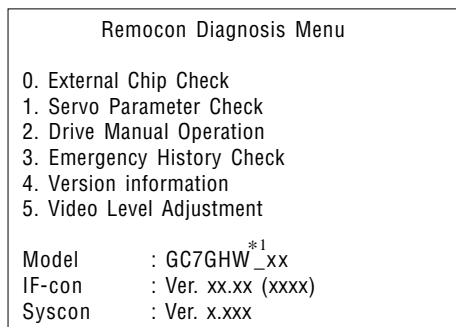
[0] Return to previous menu

Press  button to return to previous menu.

4-4-1. EXECUTING MIRROR TIME ADJUSTMENT

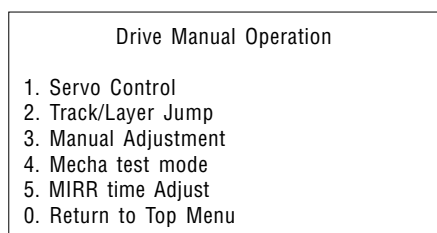
In order to execute mirror time adjustment, the following standard procedures must be followed.

- (1) In standby mode, press three buttons ,  and  simultaneously.
- (2) Select "2. Drive Manual Operation".

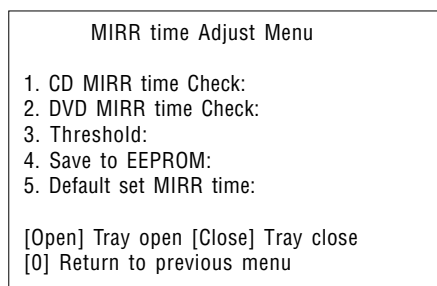


*1 In HCD-FX999W, "GC7GW****" is displayed.

- (3) Select "5. MIRR time Adjust".

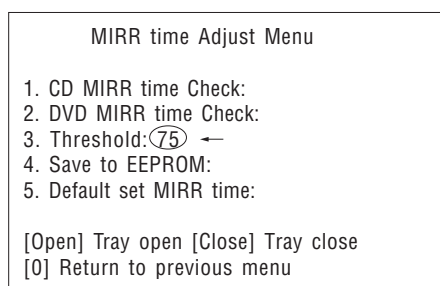


- (4) Select "5. Default set MIRR time".



- (5) Select "3. Threshold".

- (6) Confirm the number. If it is 75, go to next step. If it is any other value, return to step 4.



- (7) Push  button to eject tray.

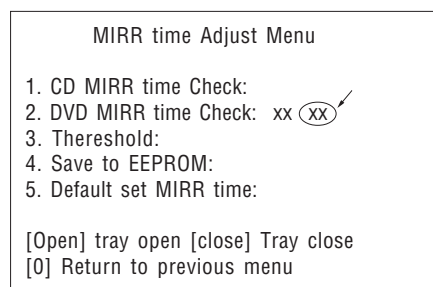
- (8) Insert Test Disc HLX-504 into tray.

- (9) Push  button to close tray.

- (10) Push "2. DVD MIRR time Check".

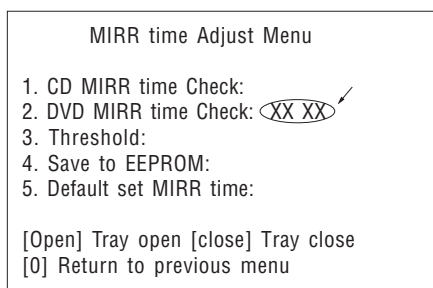
- (11) Wait for HEX number to display.

- (12) Confirm the number, if XX is 28 ~ 70, proceed with next step. If no, return to 8.



- (13) Push "4. Save to EEPROM".

- (14) Confirm the same values are displayed. If it is not same, return to step 7.



- (15) Push  button to eject tray.

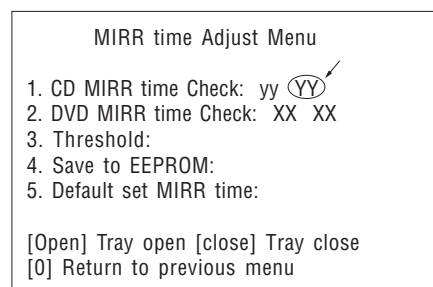
- (16) Take out HLX-504 and insert Test Disc YEDS-18 into tray.

- (17) Push  button to close tray.

- (18) Push "1. CD MIRR time check".

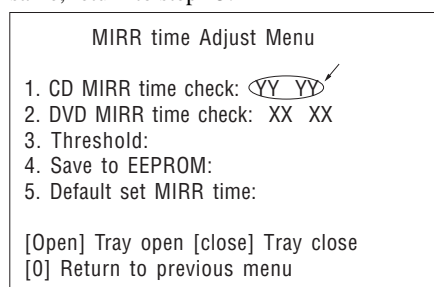
- (19) Wait for HEX number to display.



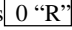
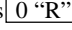
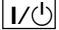
- (20) Confirm the number, if YY is 5A ~ E8, proceed with next step. If no, return to 15.

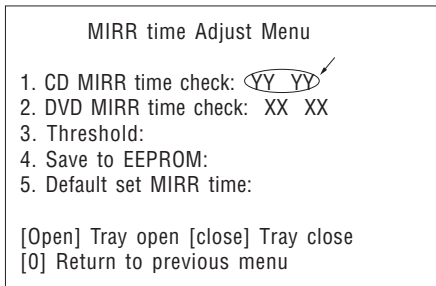




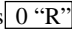

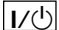
- (21) Push "4. Save to EEPROM".

- (22) Confirm the same values are displayed. If it is not the same, return to step 15.






- (23) Push  button to eject tray.
- (24) Remove Test Disc YEDS-18 from tray.
- (25) Push  button to close tray.
- (26) Press  button to the Drive Manual Operation menu.
- (27) Press  button to return to the Remocon Diagnosis Menu.
- (28) Press the  button to switch OFF set.
- (22) Confirm the same values are displayed. If it is not the same, return to step 15.

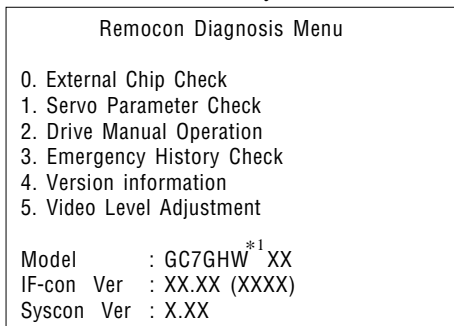


- (23) Push  button to eject tray.
- (24) Remove Test Disc YEDS-18 from tray.
- (25) Push  button to close tray.
- (26) Press  button to the Drive Manual Operation menu.
- (27) Press  button to return to the Remocon Diagnosis Menu.
- (28) Press the  button to switch OFF set.

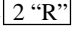
4-5. EXECUTING IOP MEASUREMENT

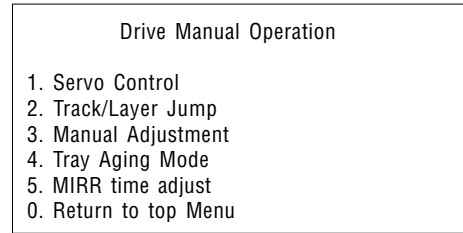
In order to execute mirror time adjustment, the following standard procedures must be followed.


- (1) In standby mode, press three buttons ,  and  simultaneously.

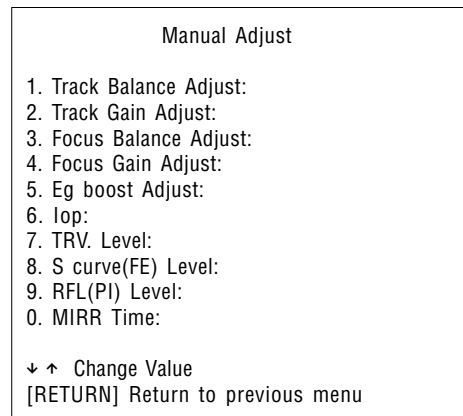


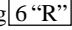
*1 In HCD-FX999W, "GC7GW***" is displayed.

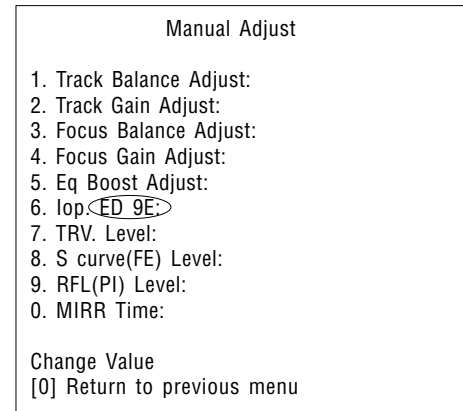
- (2) Select "2. Drive Manual Operation" by pressing the  button on the remote commander. The screen will appear as below.


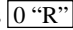


- (3) Select "3. Manual Adjustment" by pressing the  button on the remote commander. The screen will appear as below.



- (4) Select Iop by pressing  button on the remote commander.
- (5) Wait until a hexadecimal number appear.



- (6) Convert each data from hexadecimal to decimal using conversion table.
- (7) Subtract between these two values.
- (8) If the remainder is smaller than 93 (decimal), then it is OK. However if the value is higher than 93, then the BU is defective and need to be change.
- (9) Press  button to return back to previous menu.
- (10) Press  button to return to Top Menu and power OFF the DVD Player.

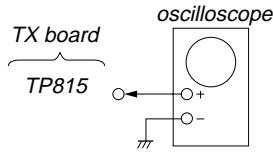
SECTION 6 ELECTRICAL ADJUSTMENT

DIAT SECTION

DIAT SIGNAL RF LEVEL ADJUSTMENT

This adjustment is performed in order to adjust the transmission distance of RF signal for DIAT communication.

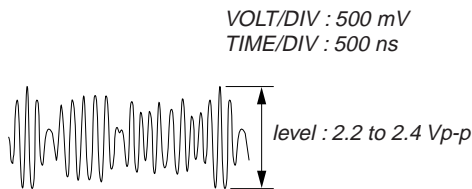
Connection:



Procedure:

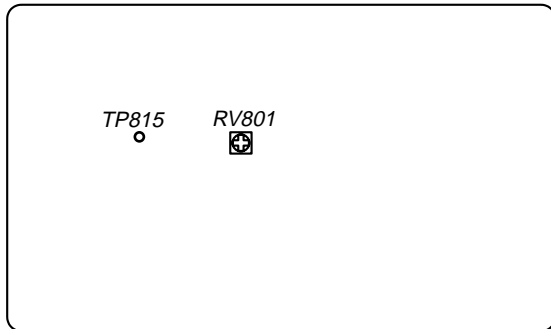
1. Connect the oscilloscope to TP815 and GND on the TX board.
2. Connect DIR-T1 to DIR-T1 jack (I/O board: J602).
3. Adjust RV801 on the TX board so that the center of waveform becomes 1.0 Vp-p.
4. Confirm trigger is locked.
5. Adjust RV801 on the TX board so that the center of waveform becomes 2.2 to 2.4 Vp-p.

RF Signal Reference Waveform



Adjustment Location:

– TX Board (SIDE A) –



HDMI SECTION

*For HCD-FX1000W only

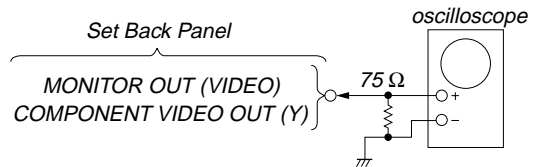
ADJUSTMENT OF VIDEO SYSTEM

[TEST DISC LIST]

Use the following test disc on this mode.

- HLX-504 (NTSC Test Disc 504): J-6090-088-A

Connection:



1. Composite Level Adjustment (MIB01 Board)

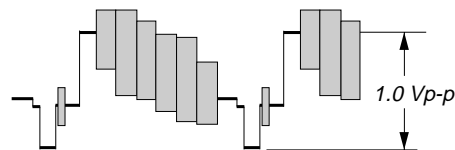
<Purpose>

This adjustment is made to satisfy the standard, and if not adjusted correctly, the brightness will be too large or small.

Mode	Video level adjustment in test mode
Signal	Color bar 100% (HLX-504 Track1)
Test point	MONITOR OUT (VIDEO) connector (75 Ω terminated)
Instrument	Oscilloscope
Adjusting element	RV501
Specification	1.0 Vp-p

Procedure:

1. Terminate the MONITOR OUT (VIDEO) connector in 75 Ω.
2. Connect an oscilloscope across 75 Ω terminator.
3. Turn the power on.
4. Set the test disc (HLX-504) on the tray and press ▶ button to playback.
5. Confirm that oscilloscope waveform is clear and check composite output level is correct or not.
6. If it is not correct, adjust the RV501 to attain 1.0 Vp-p.




2. Component Output Level Adjustment (MIB01 Board)

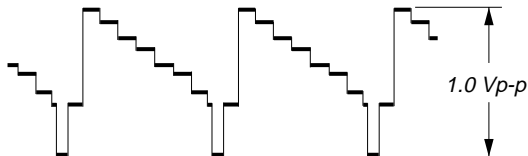
<Purpose>

This adjusts component output level. If it is incorrect, correct brightness will not be attained when connected to, for instance, projector.

Mode	Video level adjustment in test mode
Signal	Color bar 100% (HLX-504 Track1)
Test point	COMPONENT VIDEO OUT (Y) connector (75 Ω terminated)
Instrument	Oscilloscope
Adjusting element	RV502
Specification	1.0 Vp-p

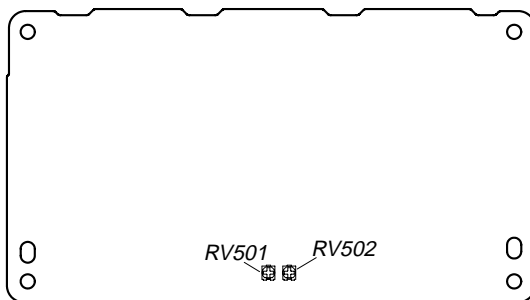
Procedure:

1. Terminate the COMPONENT VIDEO OUT (Y) connector in 75 Ω.
2. Connect an oscilloscope across 75 Ω terminator.
3. Turn the power on.
4. Set the test disc (HLX-504) on the tray and press  button to playback.
5. Confirm that oscilloscope waveform is clear and check component output level is correct or not.
6. If it is not correct, adjust the RV502 to attain 1.0 Vp-p.



Adjustment Location:

– MIB01 Board (SIDE A) –



DVD SECTION

When the base unit is replaced, perform the adjustment and the measurement as shown below in this order.

- 1) MIRROR TIME ADJUSTMENT (See page 23)
- 2) EXECUTING IOP MEASUREMENT (See page 25)

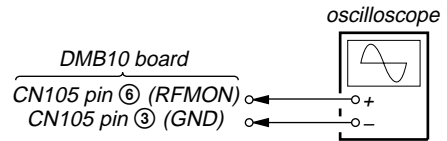
[TEST DISC LIST]

Be sure to use the DVD disc that matches the signal standards of your region.


- CD
 - YEDS-18 (Part No.: 3-702-101-01)
 - PATD-012 (Part No.: 4-225-203-01)
- DVD SL (Single Layer)
 - NTSC : HLX-503 (Part No.: J-6090-069-A)
 - HLX-504 (Part No.: J-6090-088-A)
 - PAL : HLX-506 (Part No.: J-6090-077-A)
- DVD DL (Dual Layer)
 - NTSC : HLX-501 (Part No.: J-6090-071-A)
 - HLX-505 (Part No.: J-6090-089-A)
 - PAL : HLX-507 (Part No.: J-6090-078-A)


[RF Level Check]

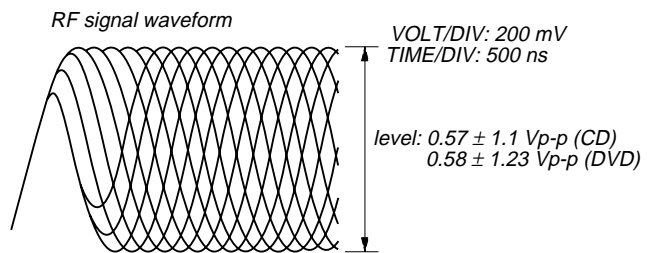
Connection:



Procedure:

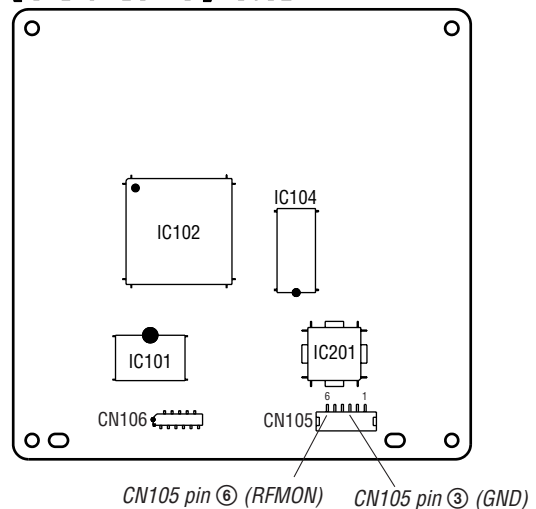
1. Connect an oscilloscope to CN105 pin ⑥ (RFMON) and CN105 pin ③ (GND) on the DMB10 board.
2. Turn the power on.
3. Insert the CD test disc (refer to the TEST DISC LIST), and press the  button to play the disc back.
4. Confirm that oscilloscope waveform is clear and check RF signal level is correct or not.

Note: A clear RF signal waveform means that the shape “◇” can be clearly distinguished at the center of the waveform.
5. Eject the CD disc, and insert the DVD SL test disk (refer to the TEST DISC LIST), and press the  button to play the disc back.



Checking Location: DMB10 board (Side A)

【DMB10 BOARD】(SIDE A)



SECTION 7 DIAGRAMS

THIS NOTE IS COMMON FOR PRINTED WIRING BOARDS AND SCHEMATIC DIAGRAMS.
(In addition to this, the necessary note is printed in each block.)

For Schematic Diagrams.

Note:

- All capacitors are in μF unless otherwise noted. (p: pF)
50 WV or less are not indicated except for electrolytics and tantalums.
- All resistors are in Ω and $\frac{1}{4} \text{ W}$ or less unless otherwise specified.
- \triangle : internal component.
- : panel designation.

Note: The components identified by mark \triangle or dotted line with mark \triangle are critical for safety.
Replace only with part number specified.

- : adjustment for repair
- : B+ Line.
- : B- Line.
- Voltages and waveforms are dc with respect to ground under no-signal (detuned) conditions.
- Voltages and waveforms are dc with respect to ground in service mode.
- Waveforms are taken with a oscilloscope.
Voltage variations may be noted due to normal production tolerances.
no mark : DVD STOP
- Voltages are taken with VOM (Input impedance 10 M Ω).
- Circled numbers refer to waveforms.
- Signal path.
 - : AUDIO
 - ⇒ : CD PLAY
 - ⇒⇒ : DVD PLAY
 - ⇒⇒⇒ : SACD PLAY
 - : TUNER
 - ⇒⇒ : VIDEO
 - ▷ : Y
 - ▷▷ : CHROMA
 - ⇒⇒⇒ : COMPONENT VIDEO
 - ⇒ : AUDIO IN
 - ⇒⇒⇒ : DIGITAL IN (OPTICAL IN)
 - ⇒⇒ : DIGITAL
 - ⇒⇒⇒ : DIGITAL OUT
 - ▷ : MIC
- Abbreviation
 - AUS : Australian model
 - E3 : 240V AC area in E model
 - E13 : 220-230V AC area in E model
 - E32 : 110-240V AC area in E model
 - MX : Mexican model
 - SP : Singapore model
 - TW : Taiwan model

For Printed Wiring Boards.

Note:

- : parts extracted from the component side.
- \bigcirc : Through hole.
- : Pattern from the side which enables seeing.
(The other layers' patterns are not indicated.)

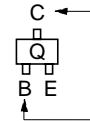
Caution:

Pattern face side: Parts on the pattern face side seen from (SIDE A) the pattern face are indicated.
Parts face side: Parts on the parts face side seen from (SIDE B) the parts face are indicated.

- Indication of transistor.



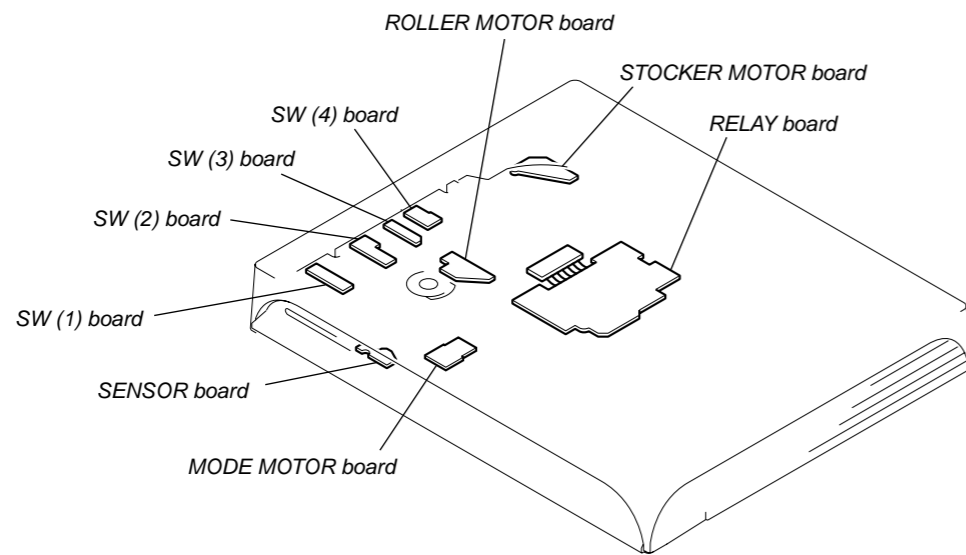
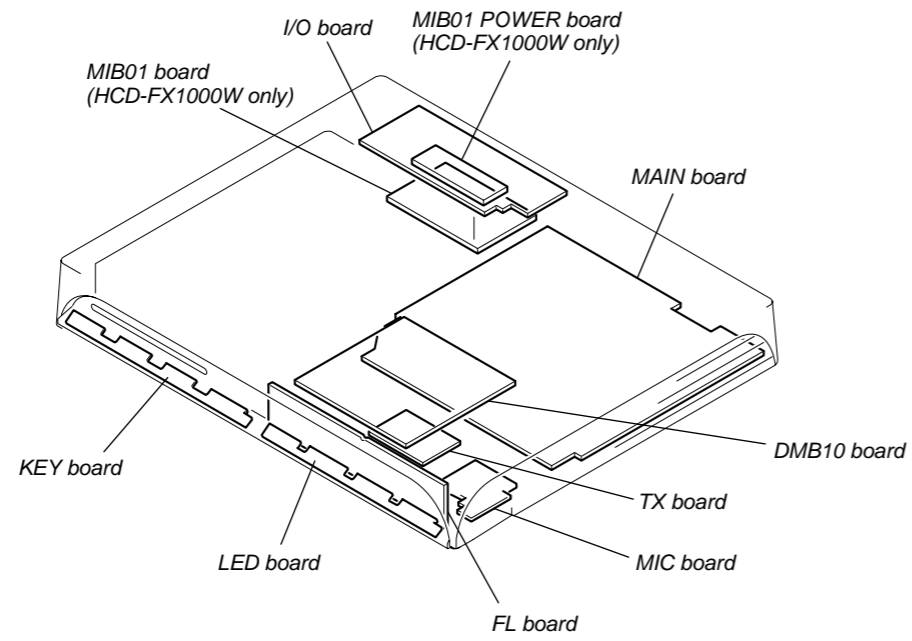
These are omitted



These are omitted.

MEMO

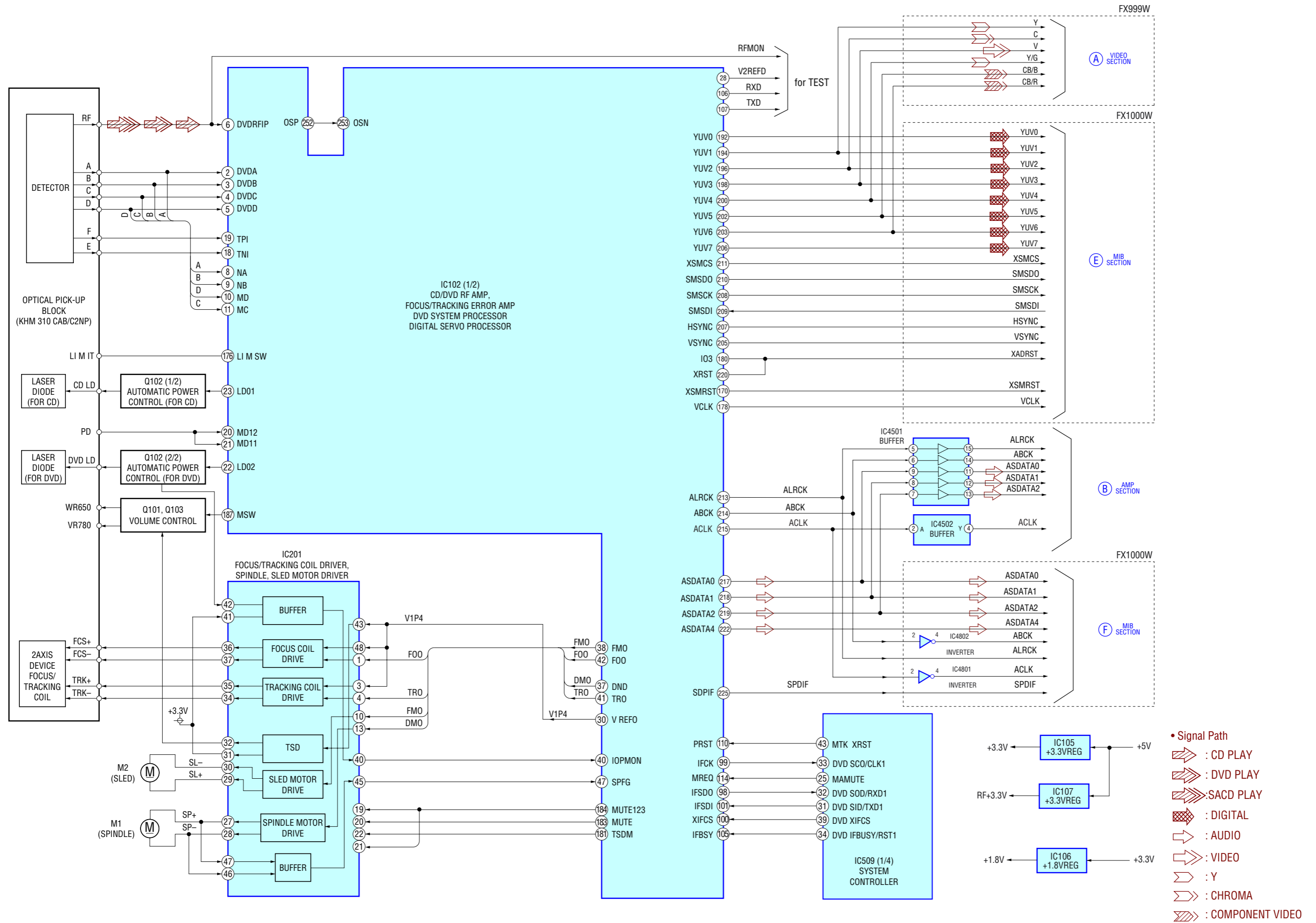
• Circuit Boards Location



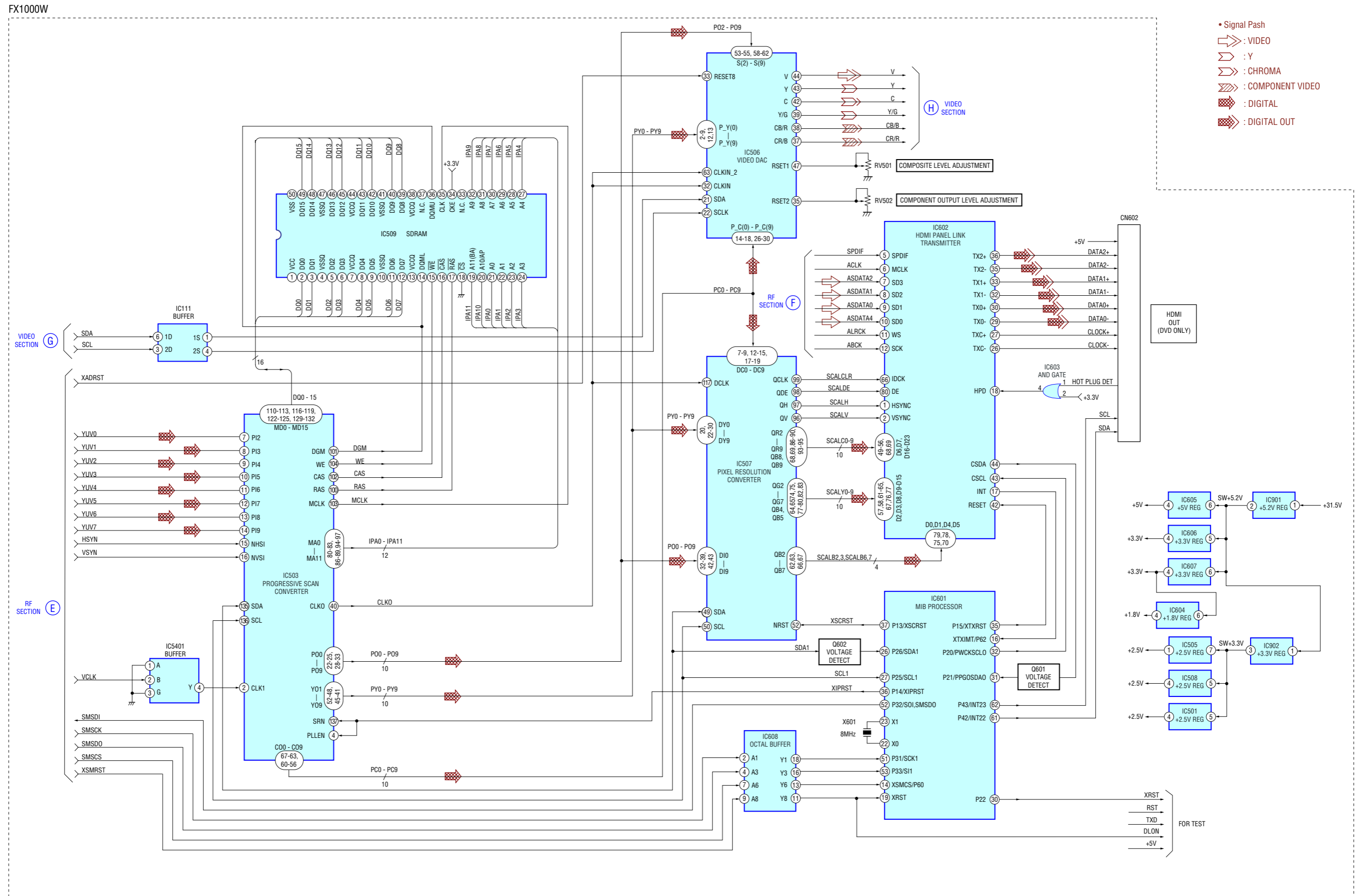
HCD-FX999W/FX1000W

Ver. 1.1

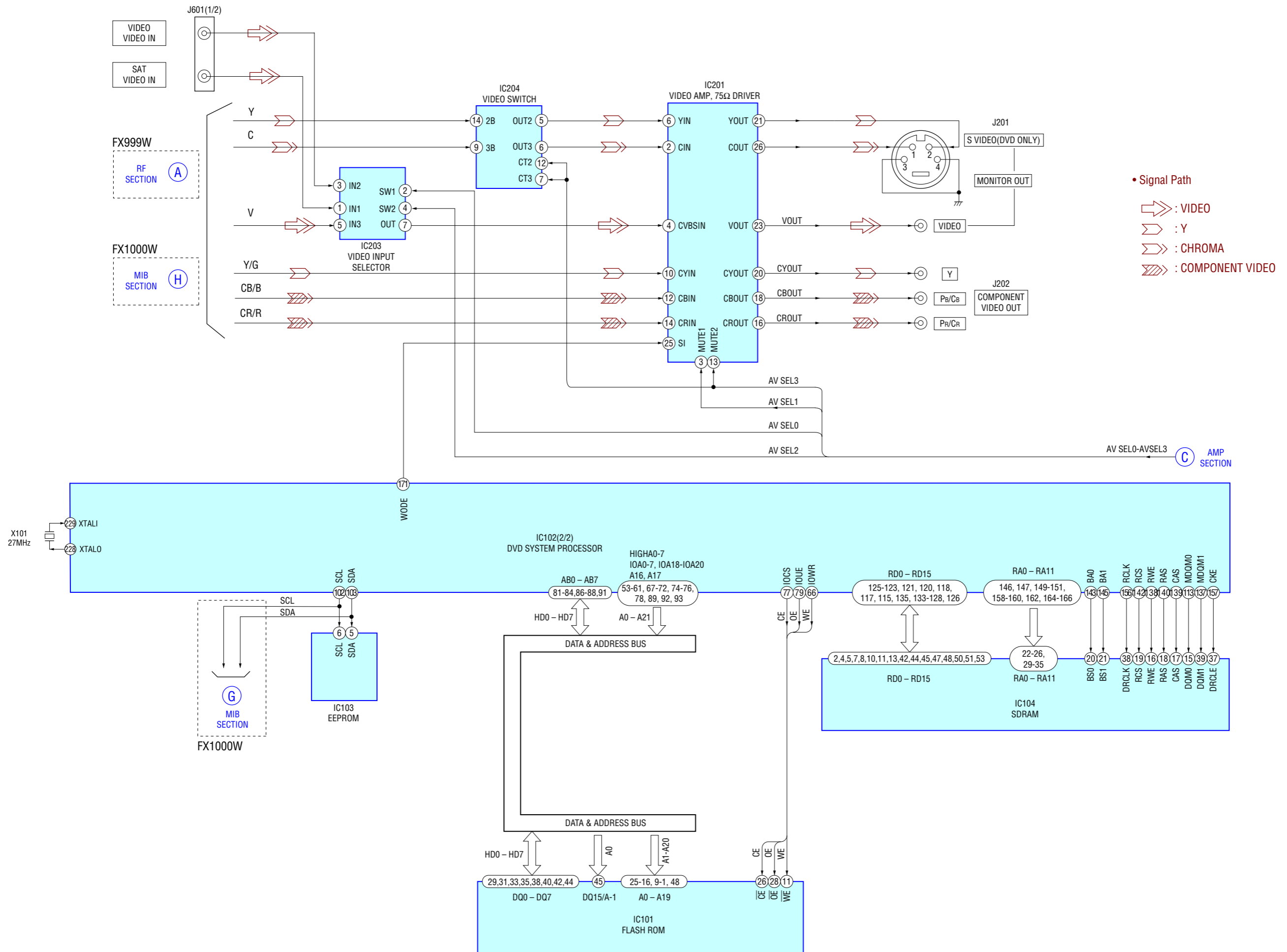
7-1. BLOCK DIAGRAM – RF SECTION –



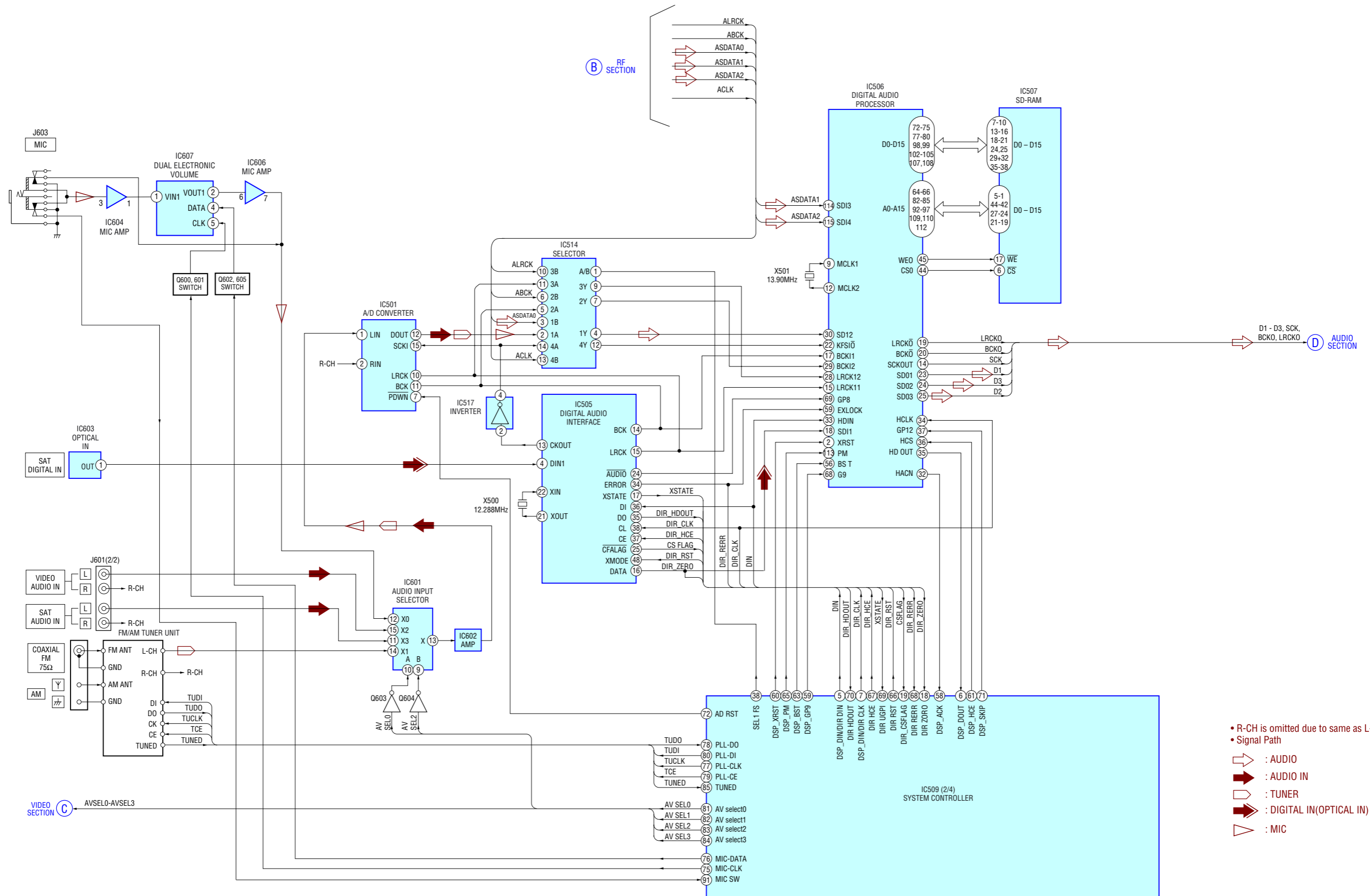
7-2. BLOCK DIAGRAM – MIB SECTION –



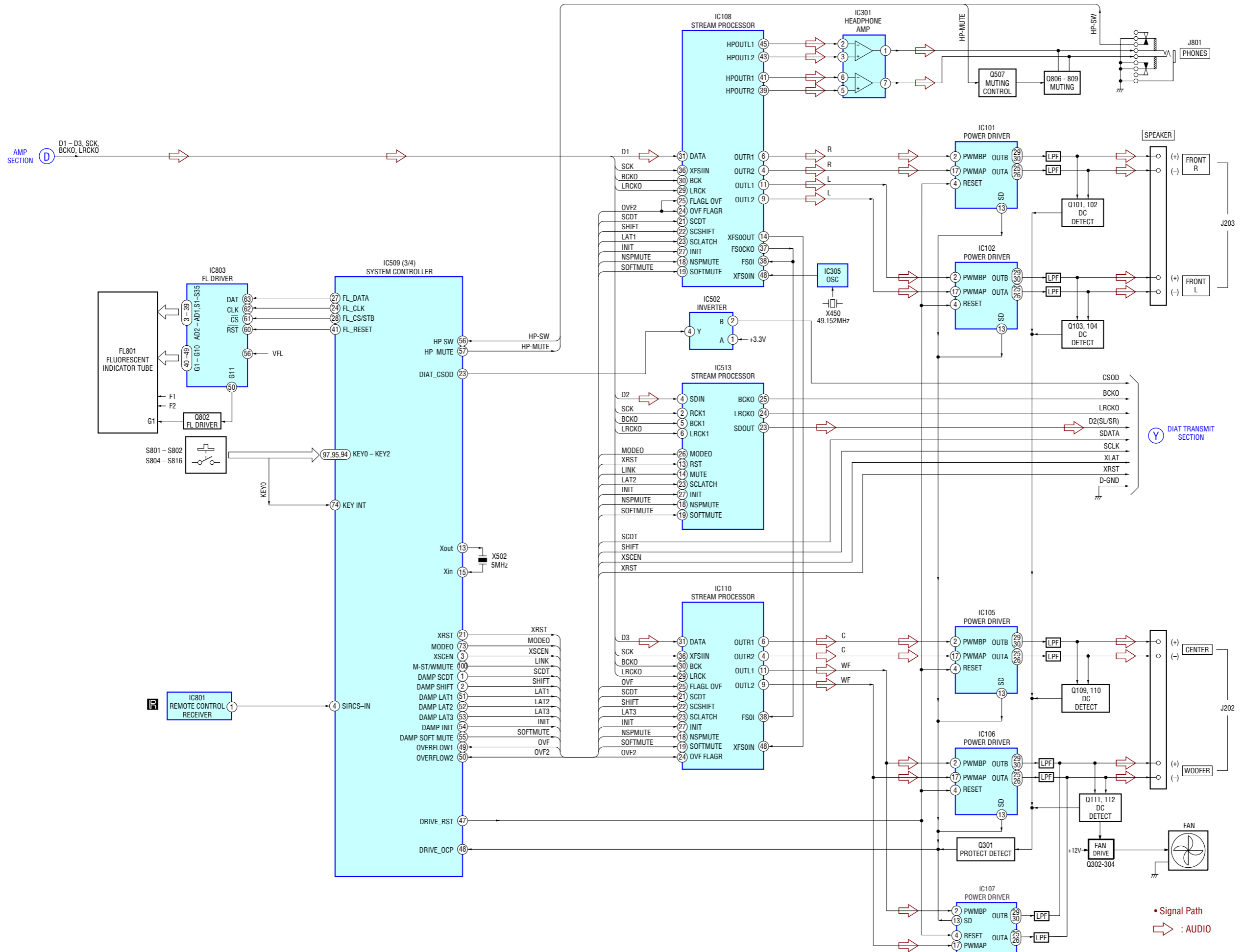
7-3. BLOCK DIAGRAM – VIDEO SECTION –



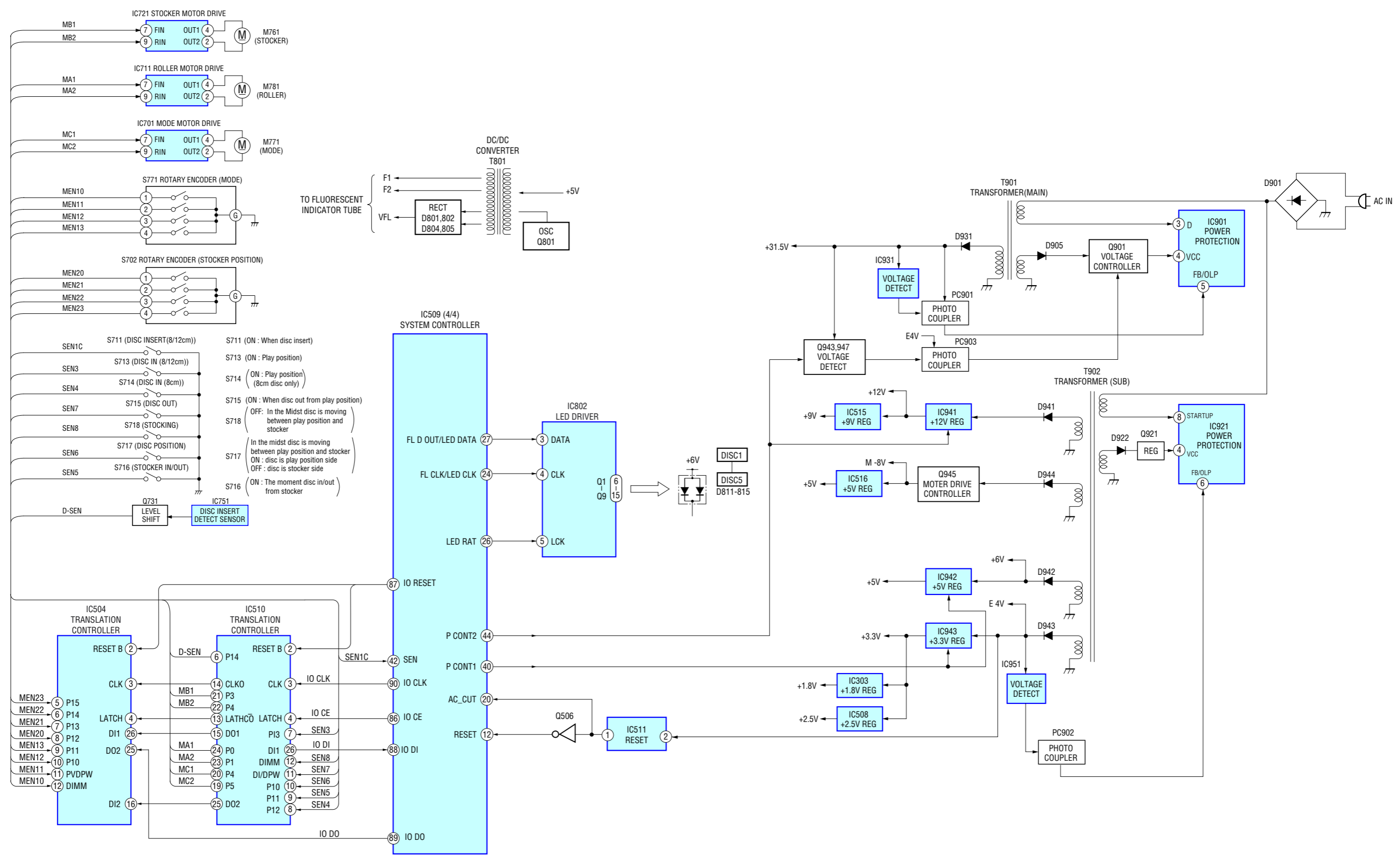
7-4. BLOCK DIAGRAM – AMP SECTION –



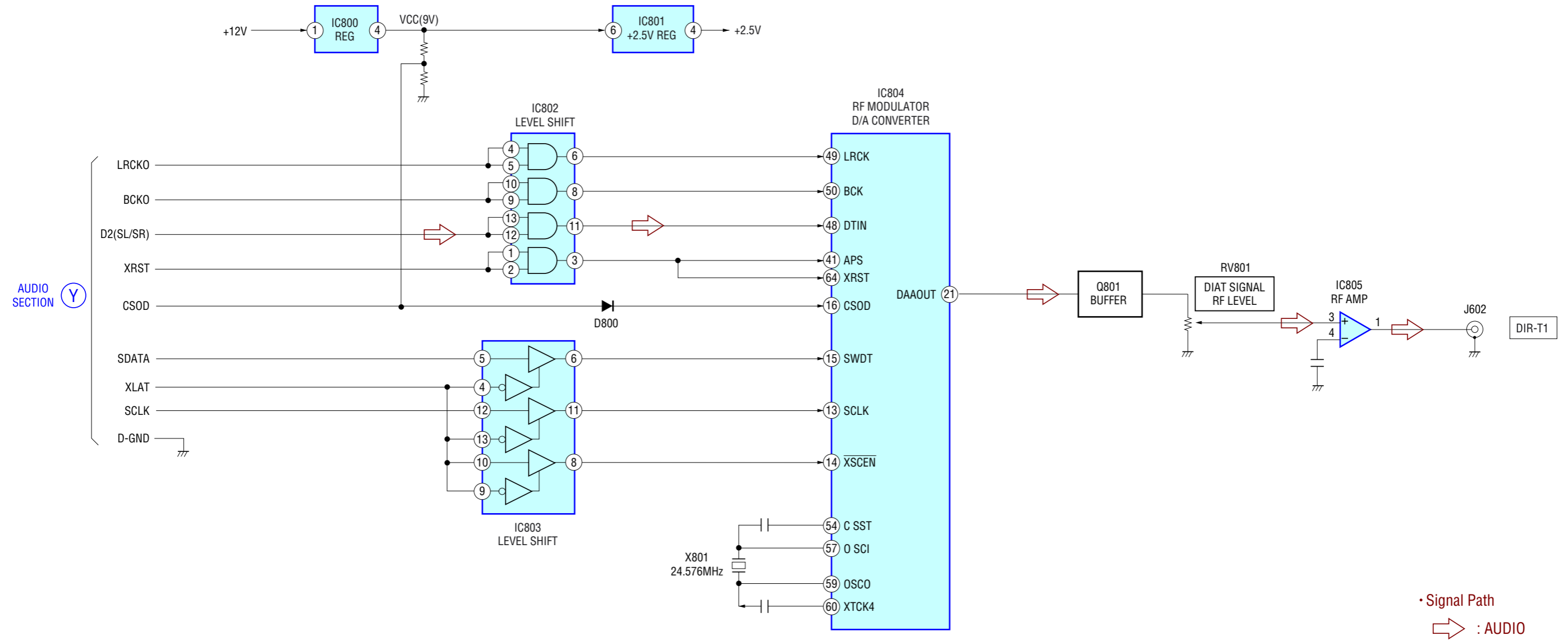
7-5. BLOCK DIAGRAM – AUDIO SECTION –



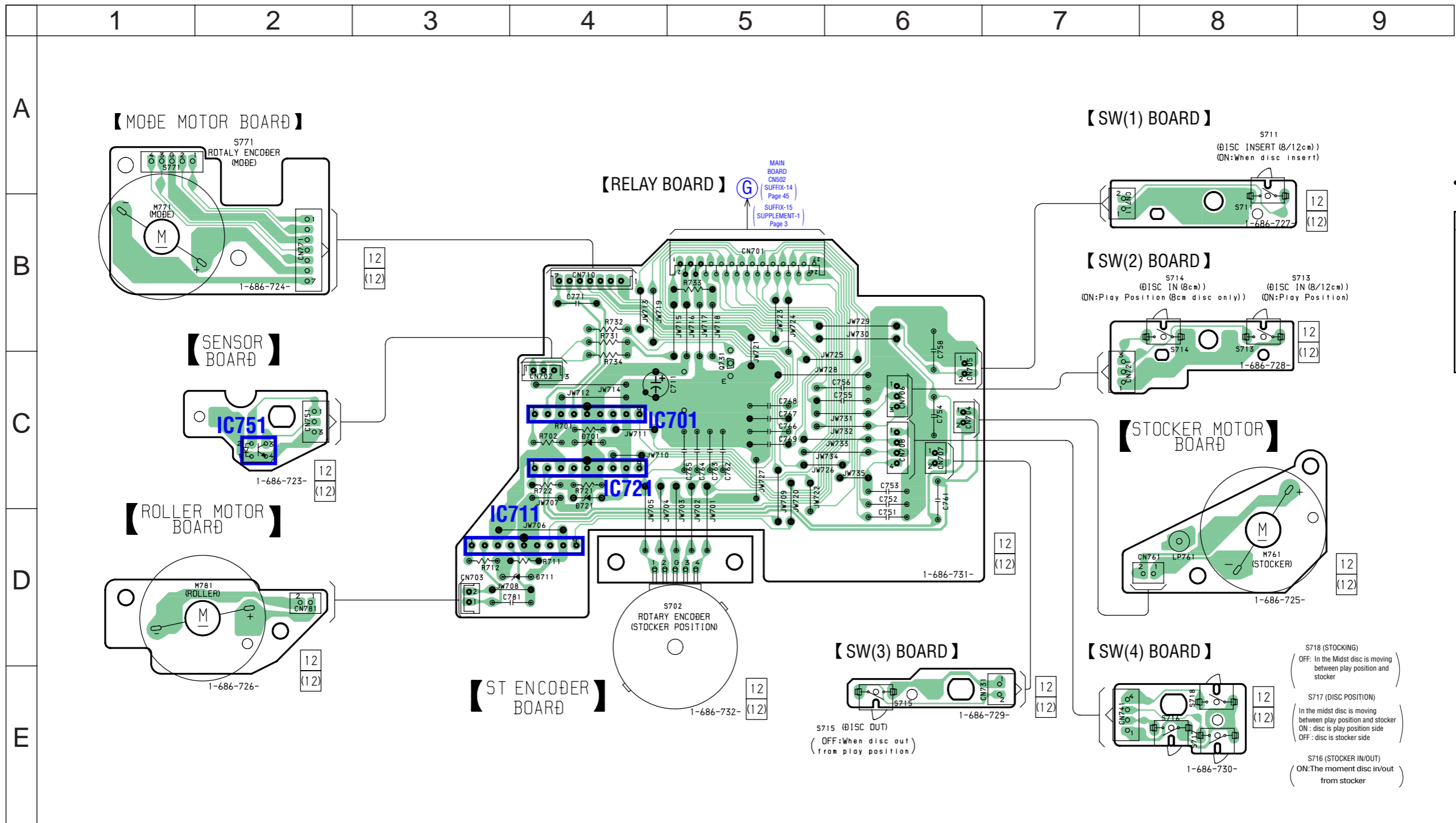
7-6. BLOCK DIAGRAM – MAIN SECTION –



7-7. BLOCK DIAGRAM – DIAT TRANSMIT SECTION –

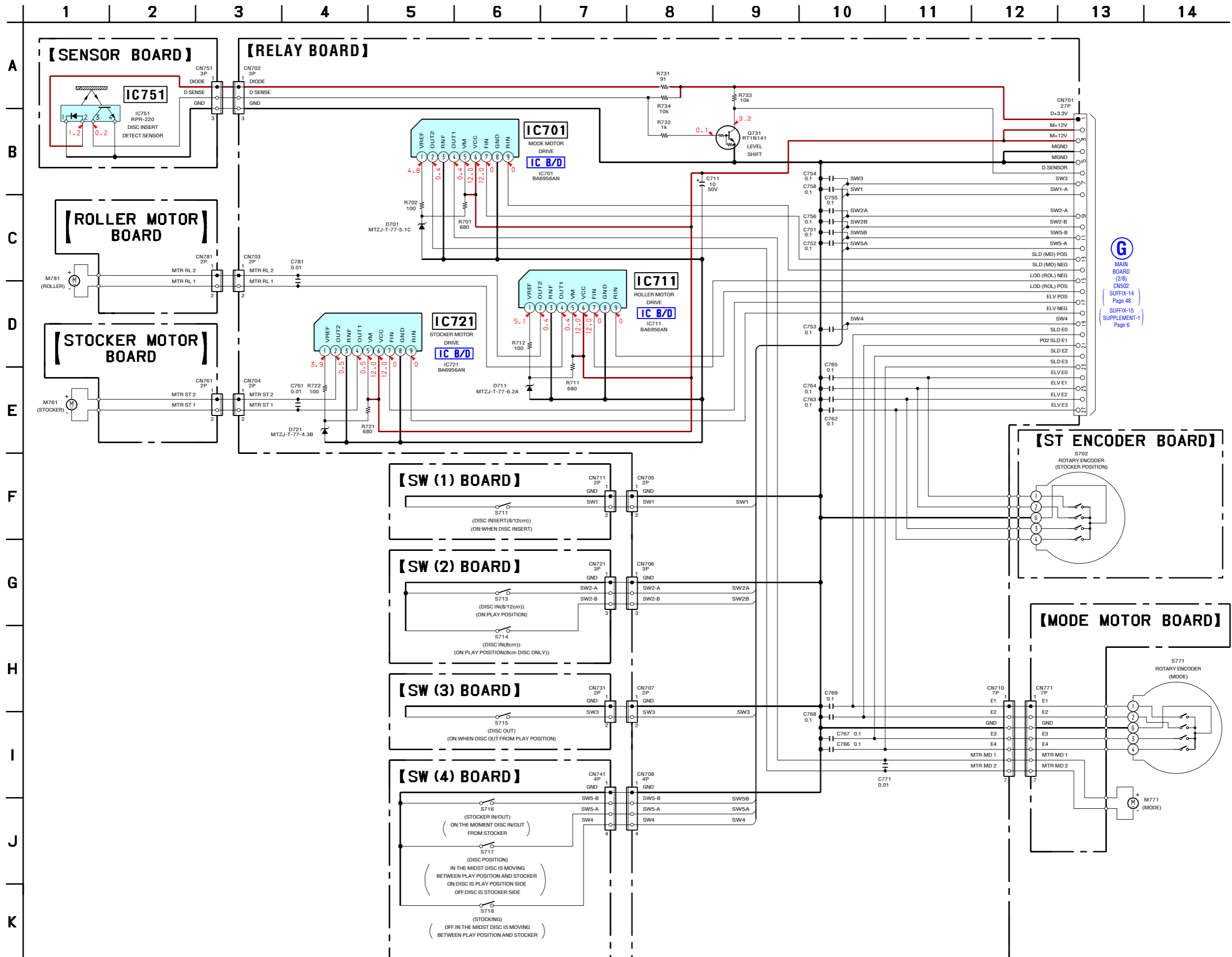


7-8. PRINTED WIRING BOARD – CHANGER SECTION – • See page 29 for Circuit Boards Location.  :Uses unleaded solder.




• Semiconductor Location

Ref. No.	Location
D701	C-4
D711	C-4
D721	C-4
IC701	C-4
IC711	D-4
IC721	C-4
IC751	C-2
Q731	B-5

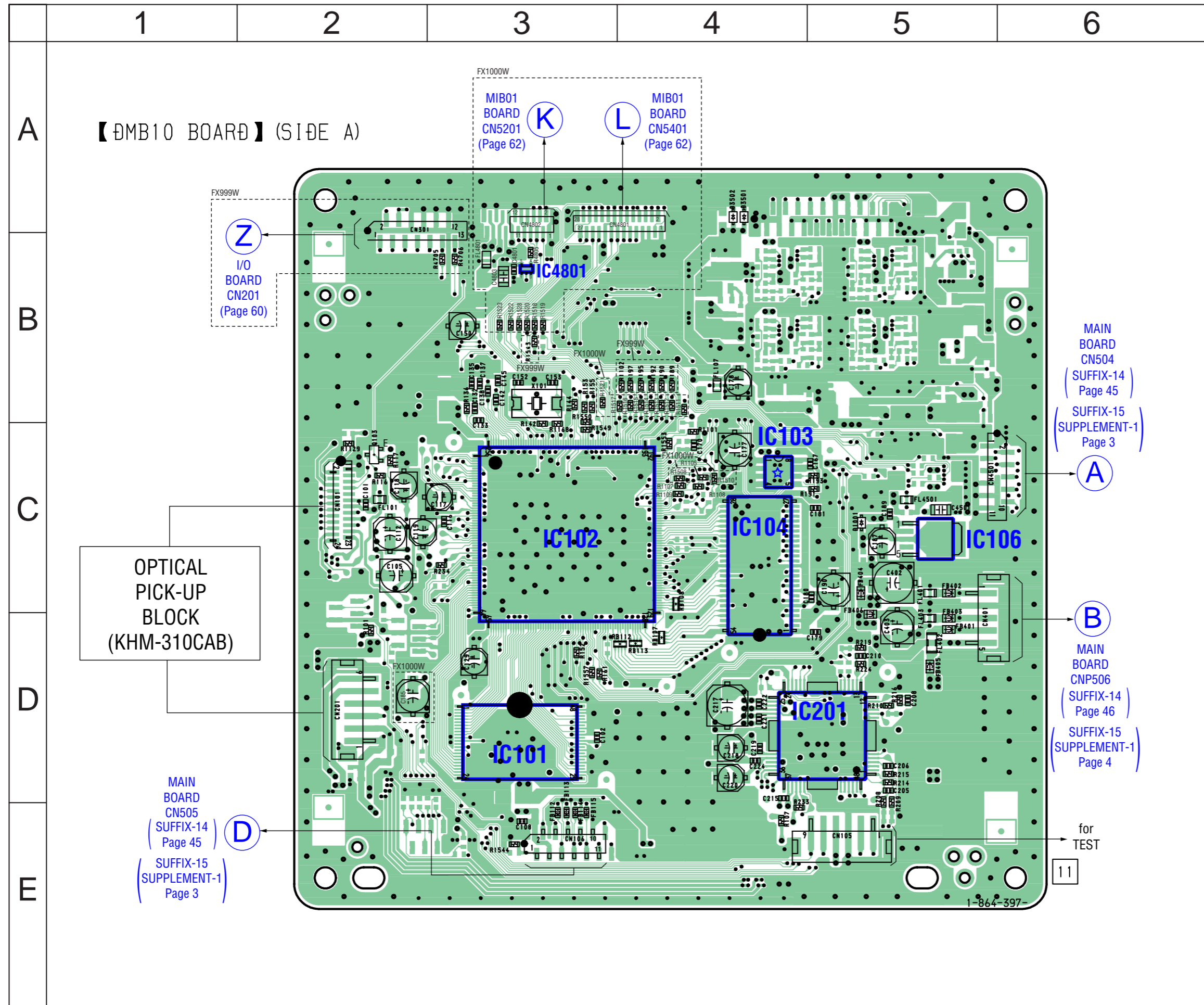


G
 MAIN BOARD (2/8)
 CN502
 SUFFIX-14
 Page 48
 SUFFIX-15
 SUPPLEMENT-1
 Page 6

7-10. PRINTED WIRING BOARD – DMB10 SECTION (SIDE A) – • See page 29 for Circuit Boards Location.

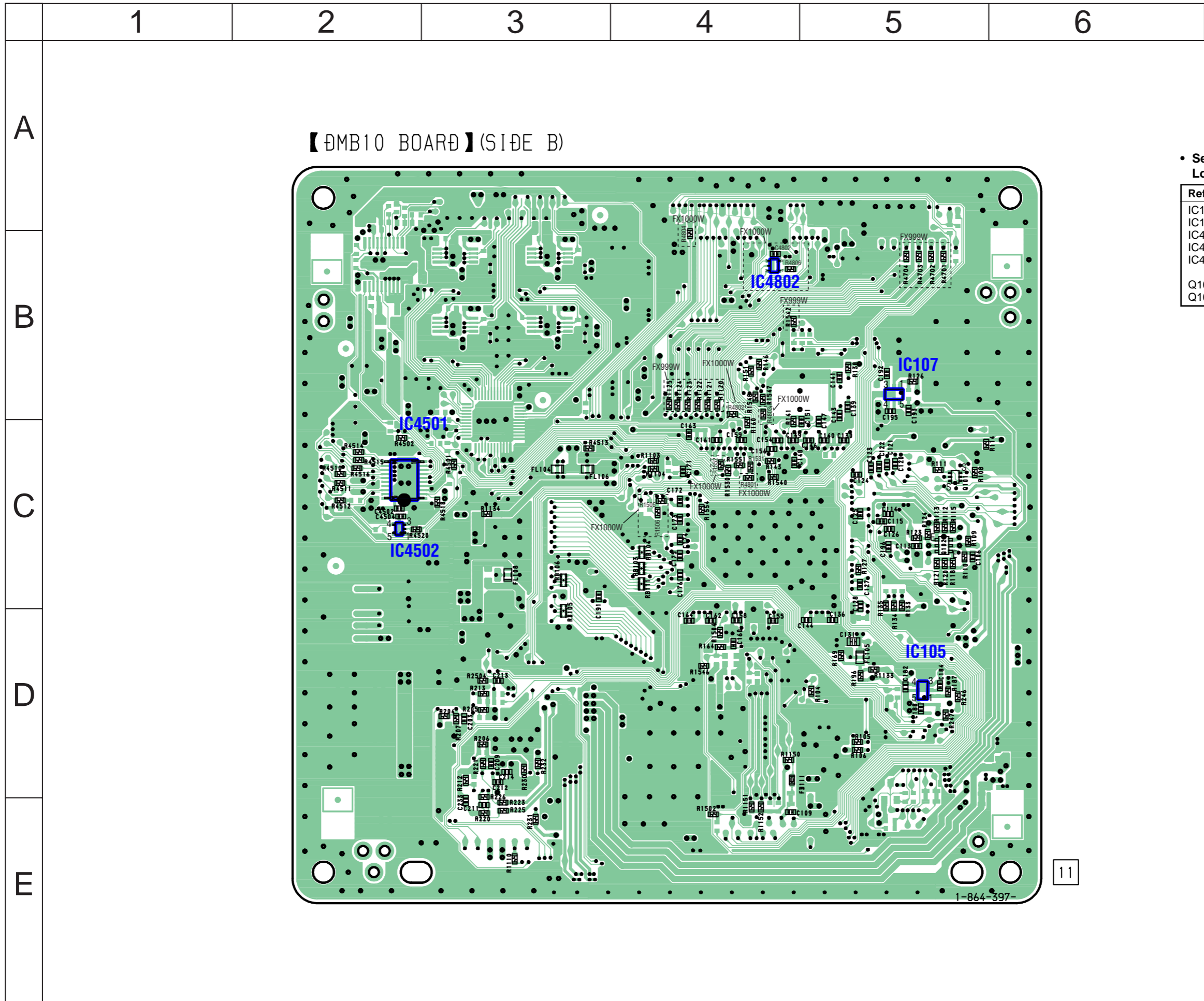
 :Uses unleaded solder.

☆ IC103 (EEP ROM) can not be replaced individually.
Replace it with DMB10 board assembly for service.



• Semiconductor Location

Ref. No.	Location
D1001	C-5
D3501	A-4
D3502	A-4
IC101	D-3
IC102	C-3
IC103	C-4
IC104	C-4
IC106	C-5
IC201	D-5
IC4801	B-3
Q103	C-2

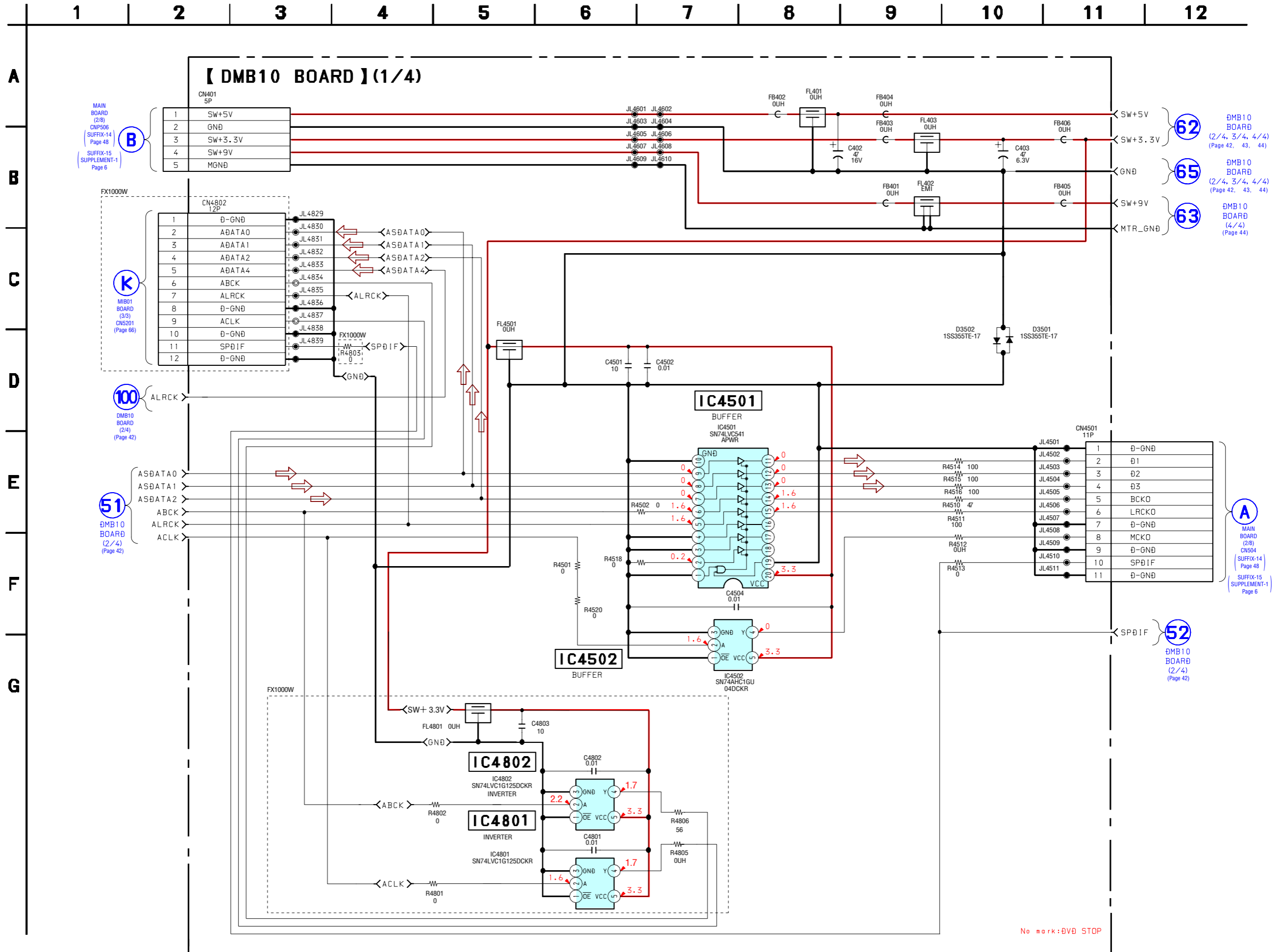


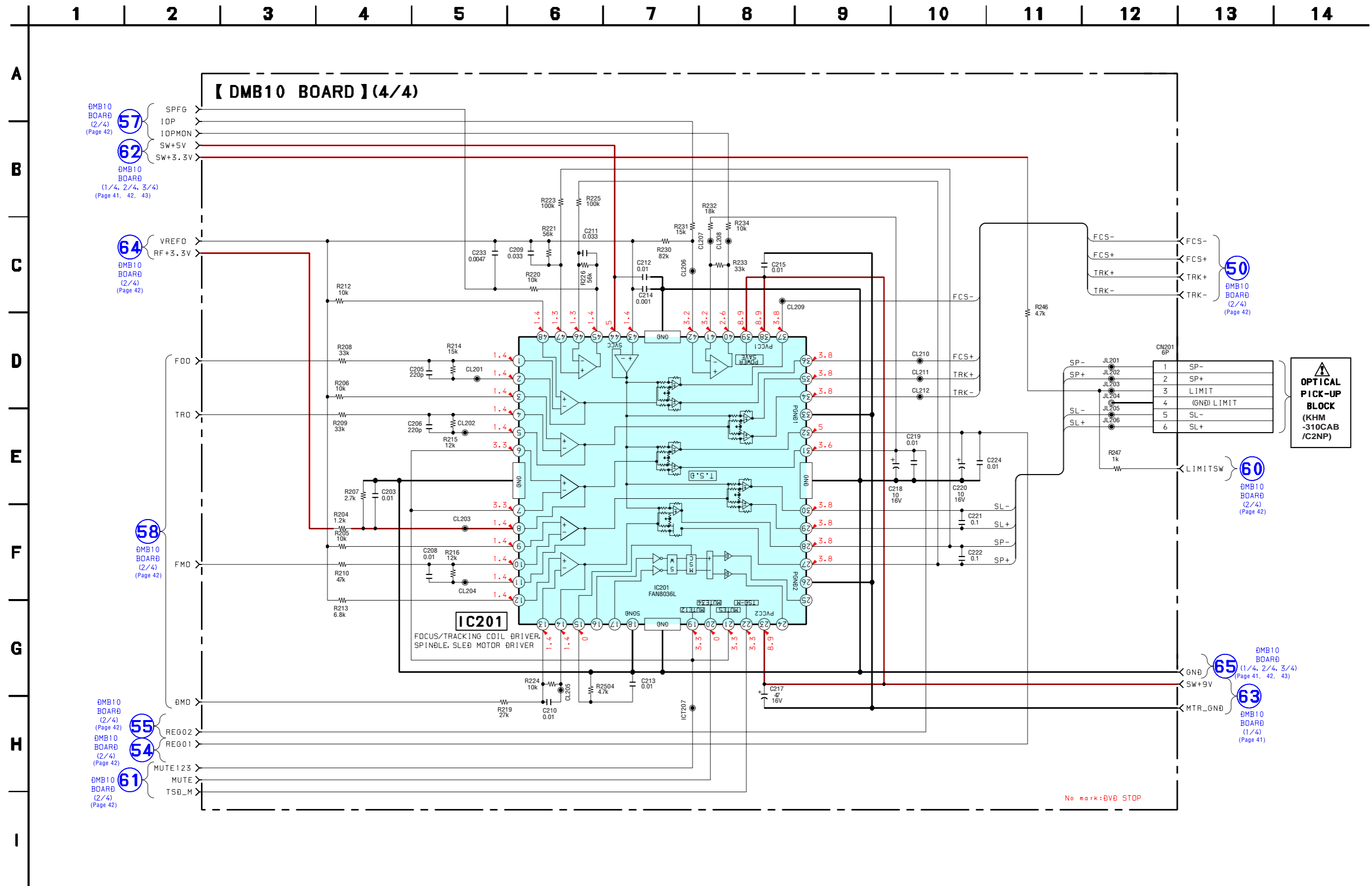
【DMB10 BOARD】(SIDE B)

• Semiconductor Location

Ref. No.	Location
IC105	D-5
IC107	B-5
IC4501	C-2
IC4502	C-2
IC4802	B-4
Q101	C-5
Q102	C-5

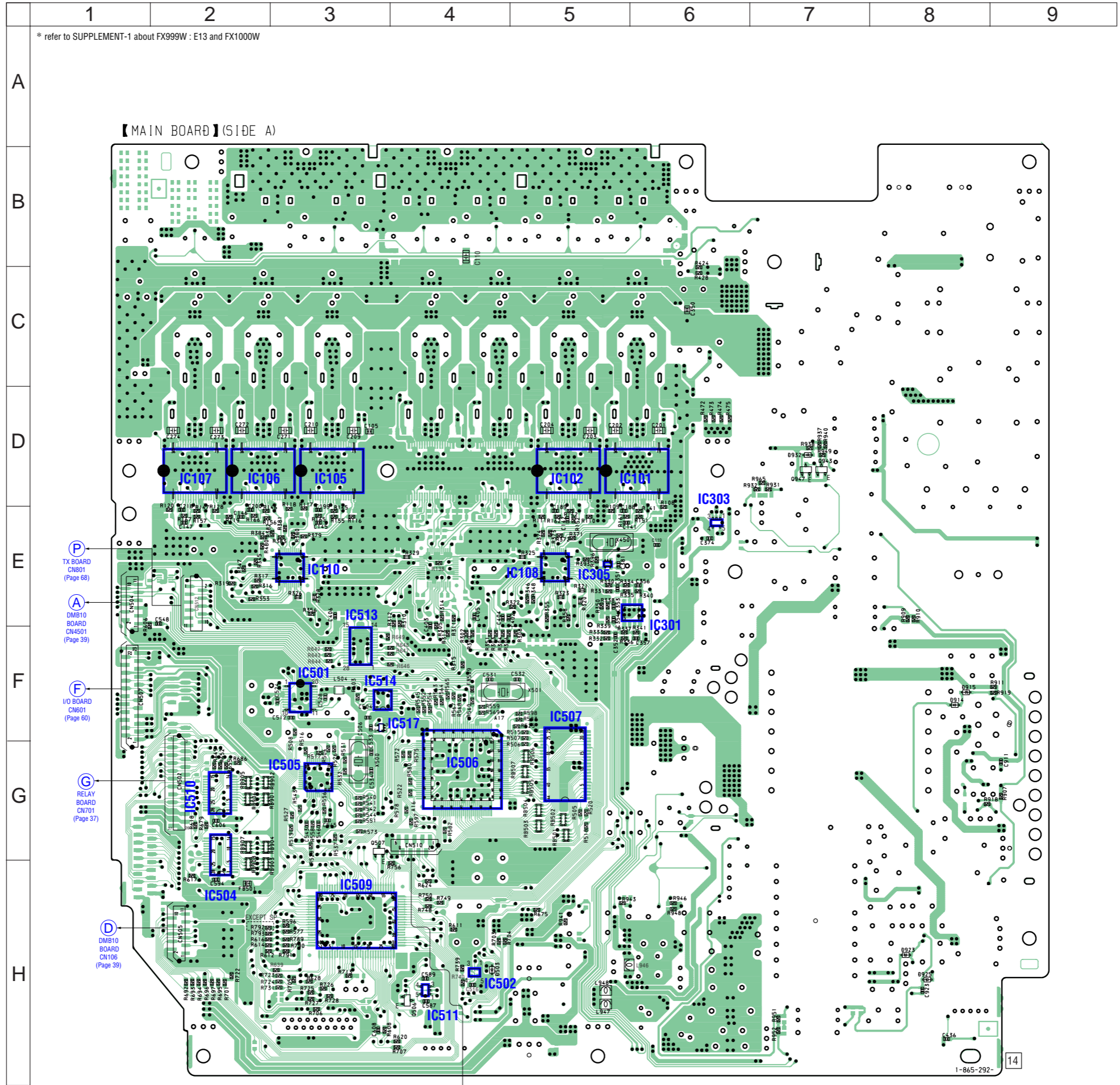
7-12. SCHEMATIC DIAGRAM – DMB10 SECTION (1/4) –





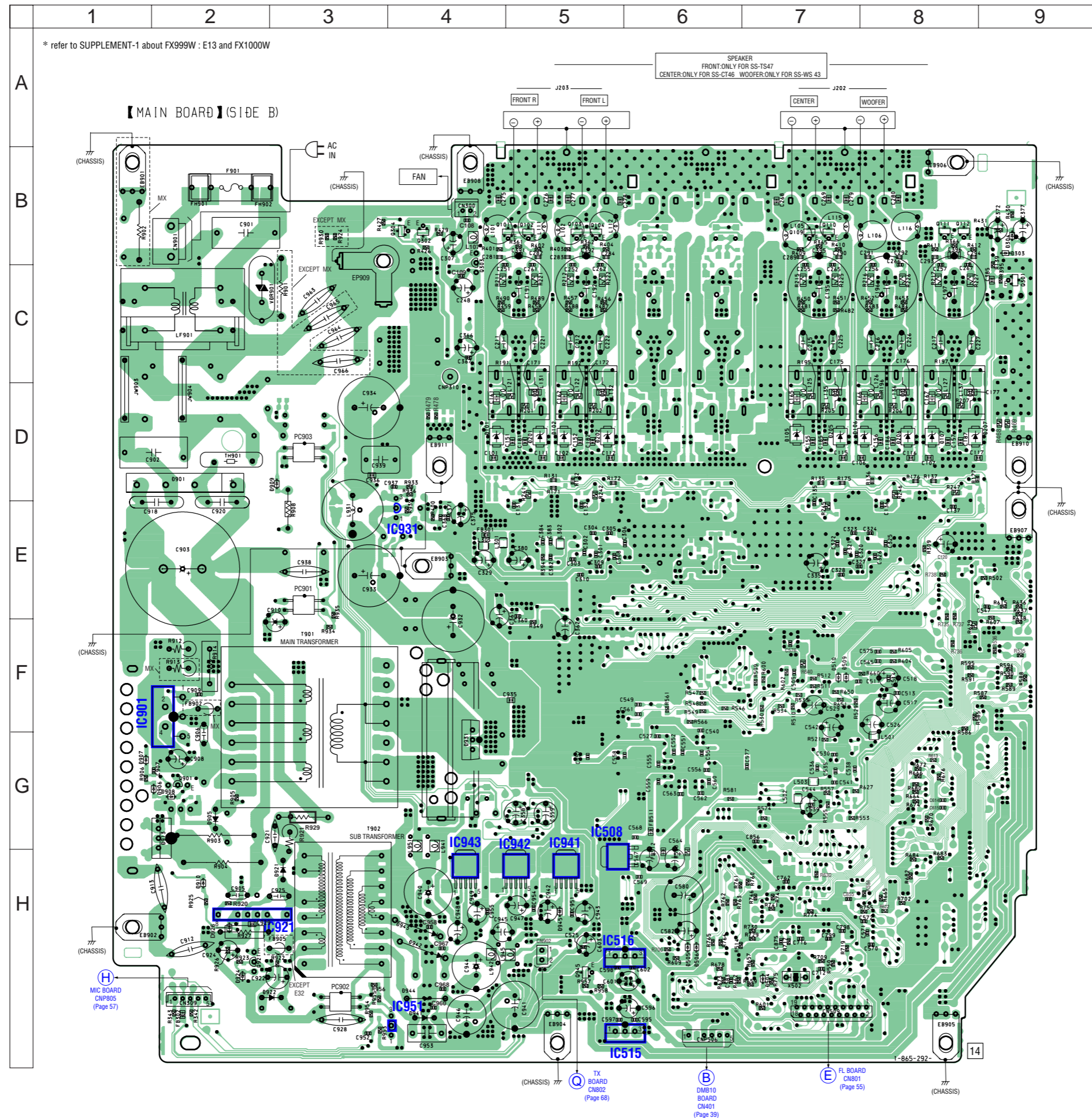
7-16. PRINTED WIRING BOARD – MAIN SECTION (SIDE A) – • See page 29 for Circuit Boards Location.

 :Uses unleaded solder.



• Semiconductor Location

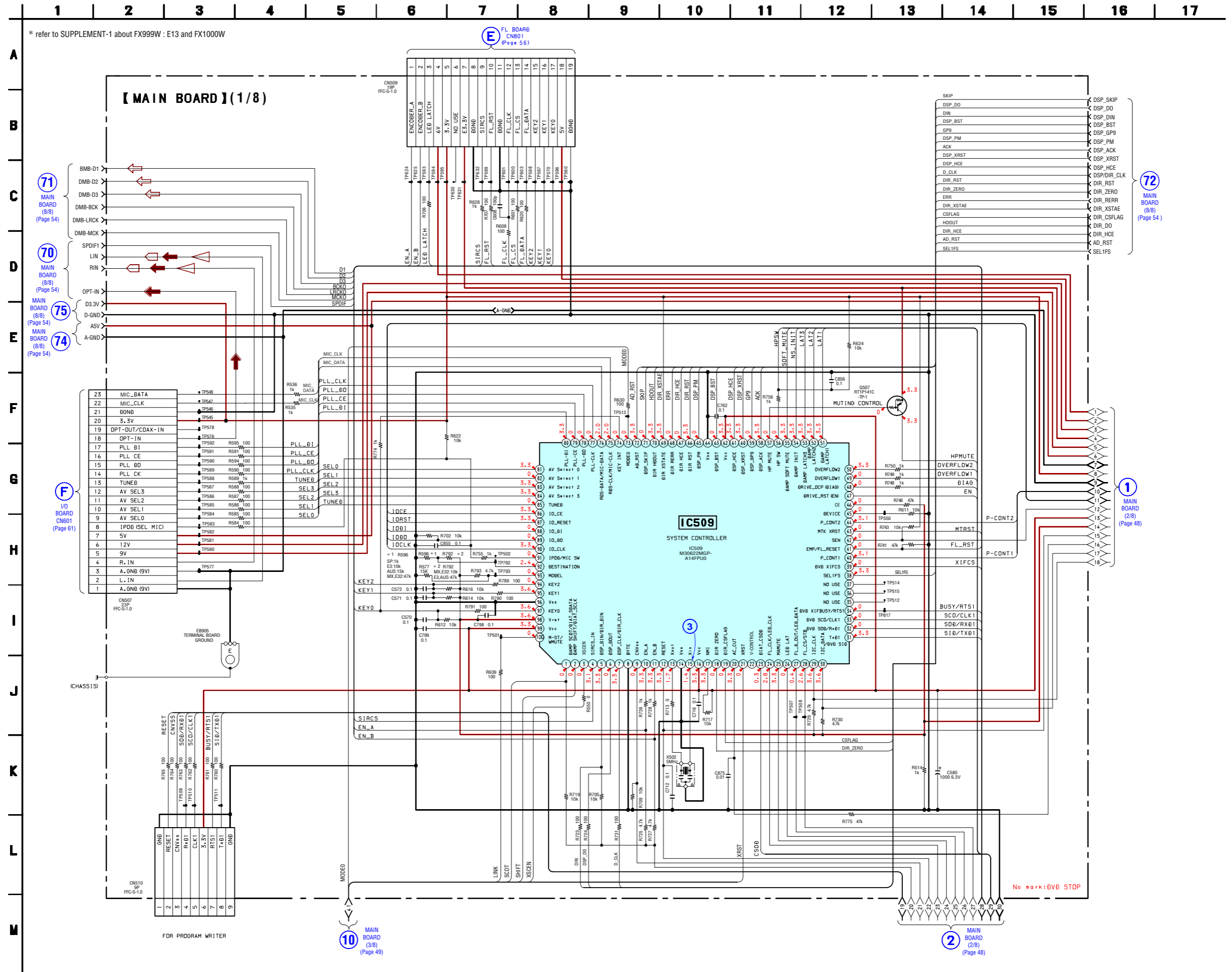
Ref. No.	Location
D503	H-4
D914	F-8
D915	F-8
D923	H-8
D925	H-8
D932	D-7
IC101	D-6
IC102	D-5
IC105	D-3
IC106	D-2
IC107	D-2
IC108	E-5
IC110	E-3
IC301	E-6
IC303	D-6
IC305	E-5
IC501	F-3
IC502	H-4
IC504	H-2
IC505	G-3
IC506	G-4
IC507	F-5
IC509	H-3
IC510	G-2
IC511	H-4
IC513	E-3
IC514	F-3
IC517	F-4
Q506	H-4
Q507	G-3
Q943	D-7
Q947	D-7

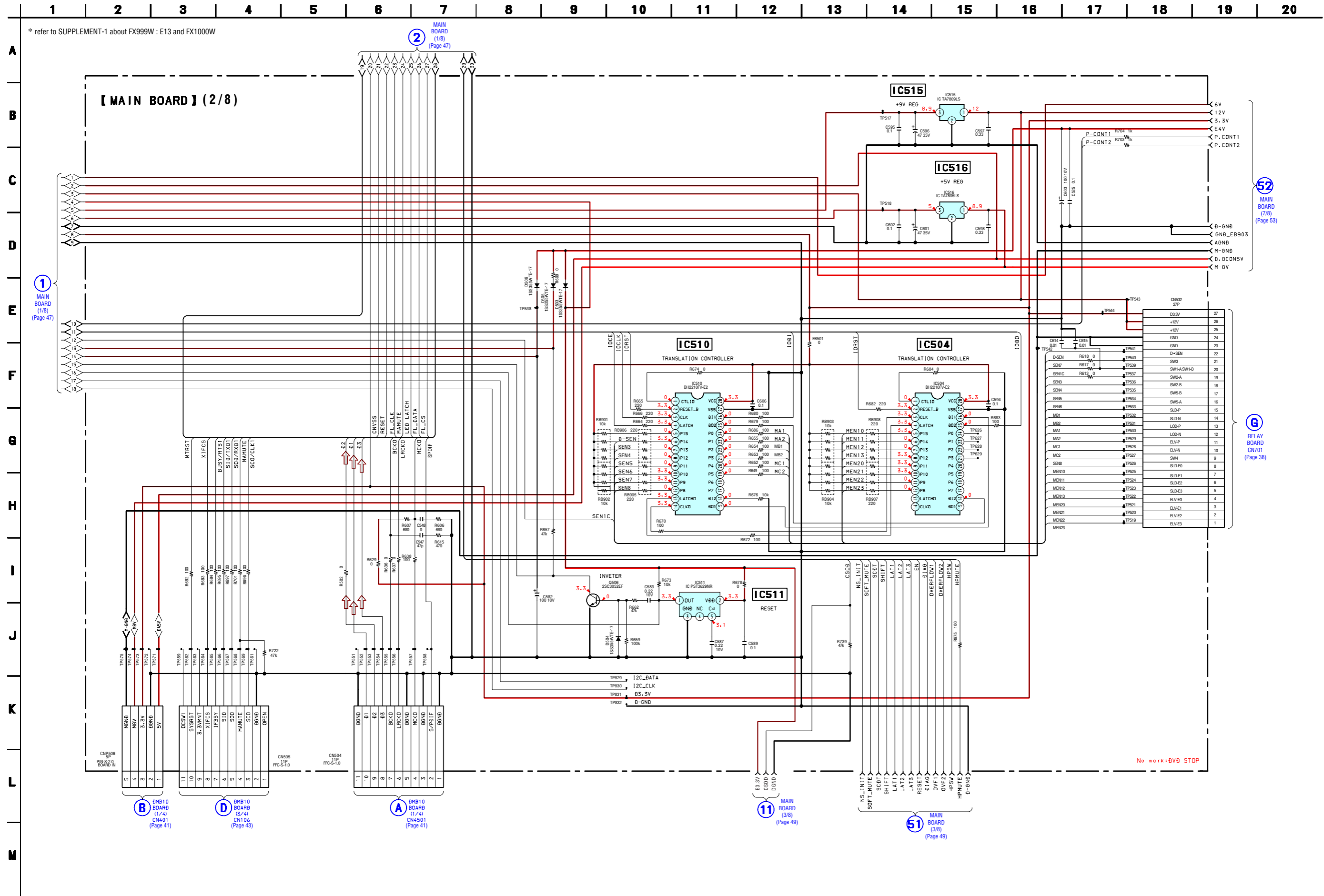


• Semiconductor Location

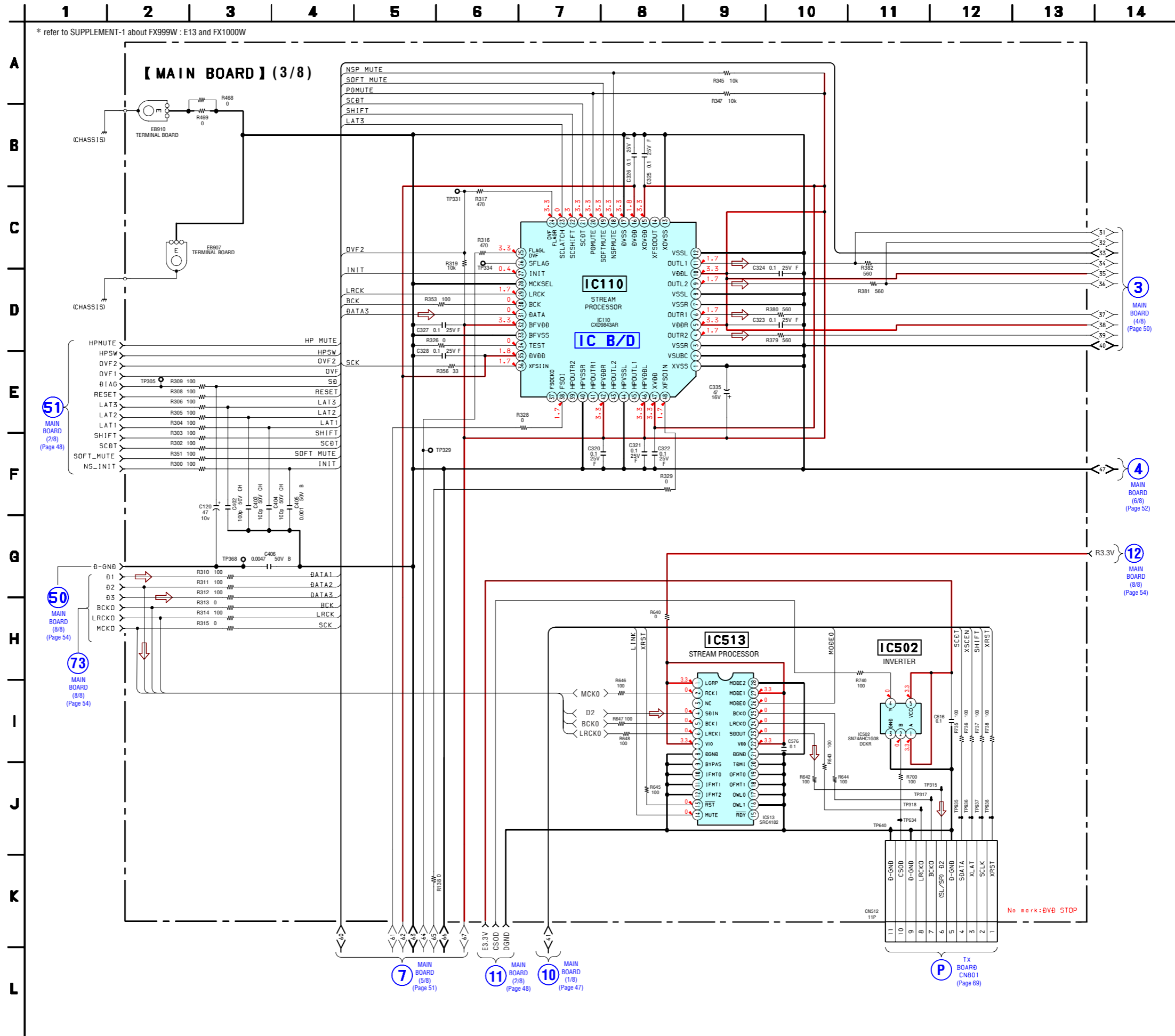
Ref. No.	Location
D101	D-4
D102	D-5
D105	D-7
D106	D-8
D107	D-8
D201	D-5
D202	D-5
D205	D-7
D206	D-8
D207	D-9
D303	B-9
D304	B-9
D504	H-7
D505	H-6
D506	H-6
D509	F-7
D510	F-7
D901	D-2
D905	G-2
D906	G-2
D907	G-1
D908	G-2
D909	D-3
D910	H-2
D913	G-2
D921	H-3
D922	H-3
D924	H-2
D931	F-4
D941	H-4
D942	H-4
D943	H-4
D944	H-4
D945	H-5
IC508	G-5
IC515	H-5
IC516	H-5
IC901	F-1
IC921	H-3
IC931	E-4
IC941	G-5
IC942	G-5
IC943	G-4
IC951	H-4
Q101	B-4
Q102	B-5
Q103	B-5
Q104	B-5
Q109	B-7
Q110	B-7
Q111	B-8
Q112	B-8
Q301	C-9
Q302	B-4
Q303	B-4
Q304	B-4
Q901	G-2
Q921	H-2
Q945	H-5

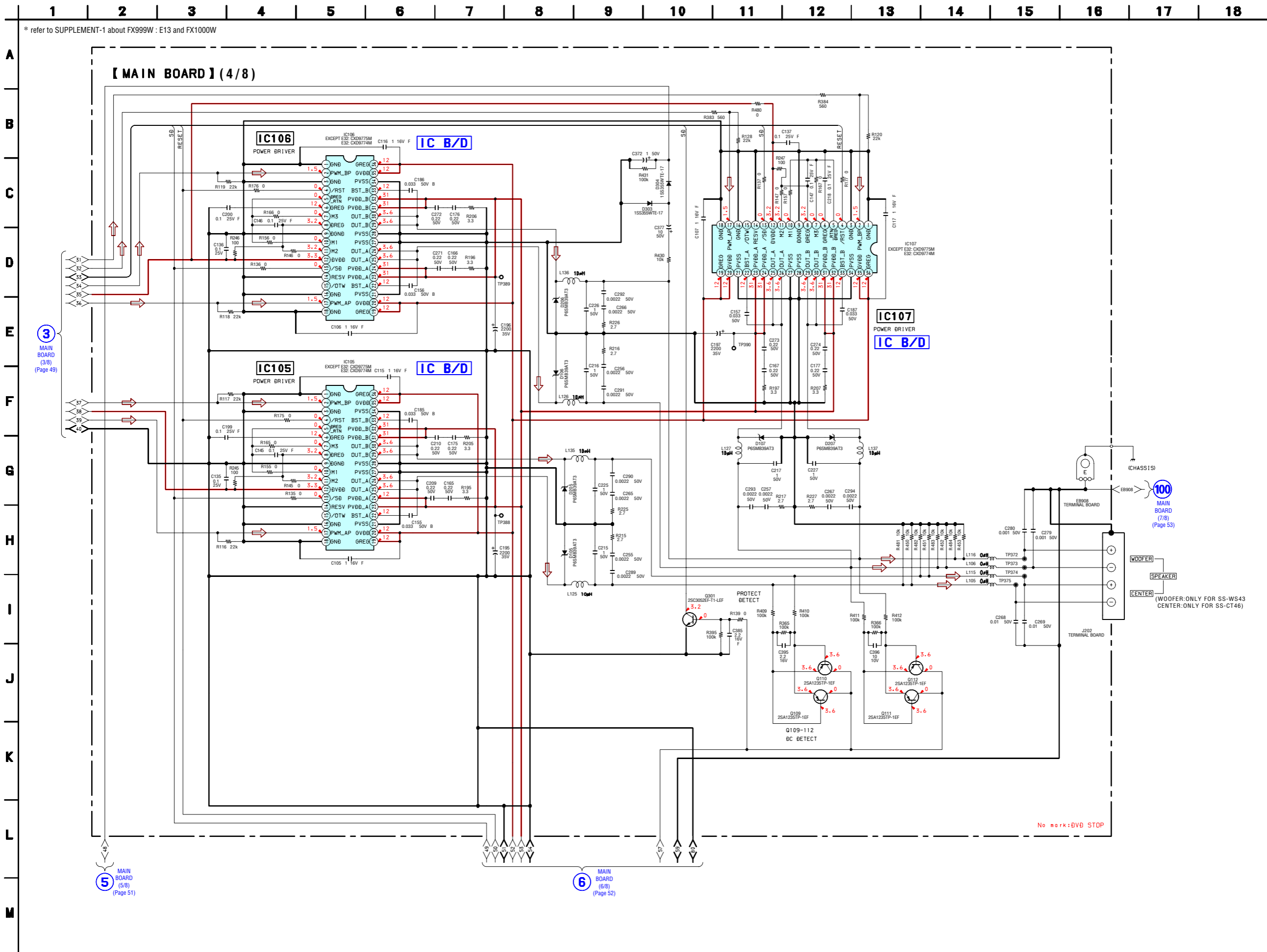
7-18. SCHEMATIC DIAGRAM – MAIN SECTION (1/8) – • See page 79 for IC Pin Function Description. • See page 70 for Waveform.



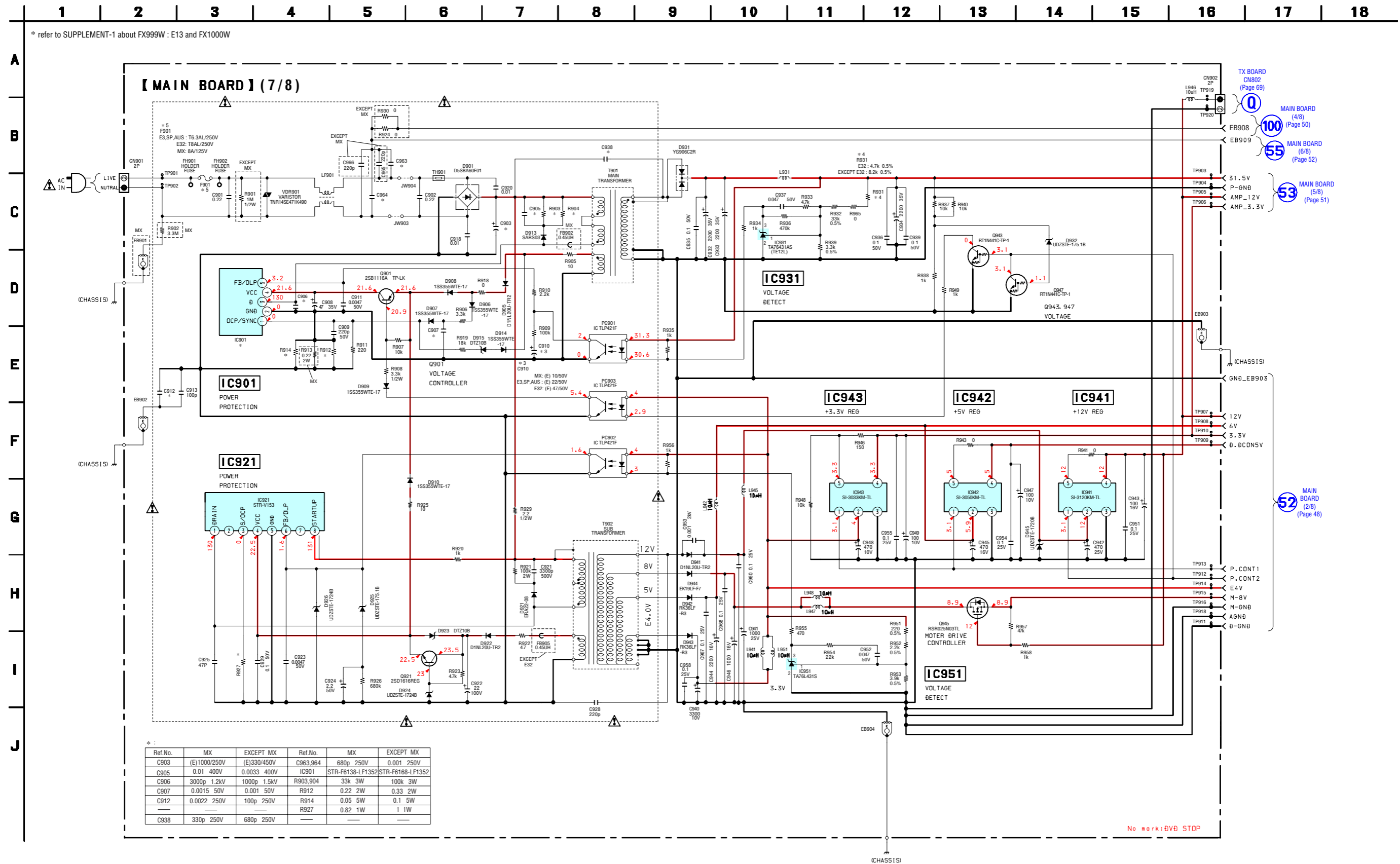


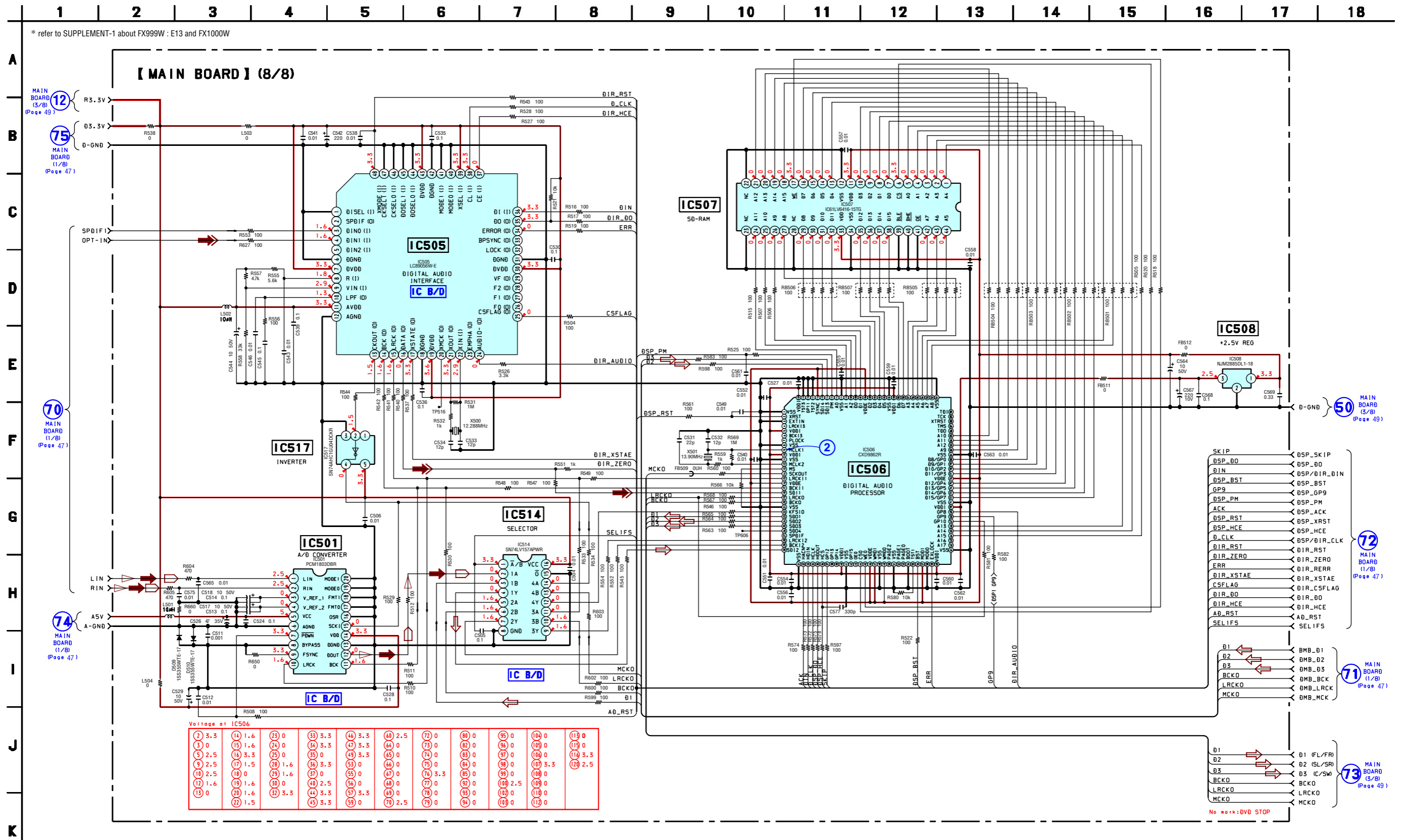
7-20. SCHEMATIC DIAGRAM – MAIN SECTION (3/8) – • See page 72 for IC Block Diagrams.




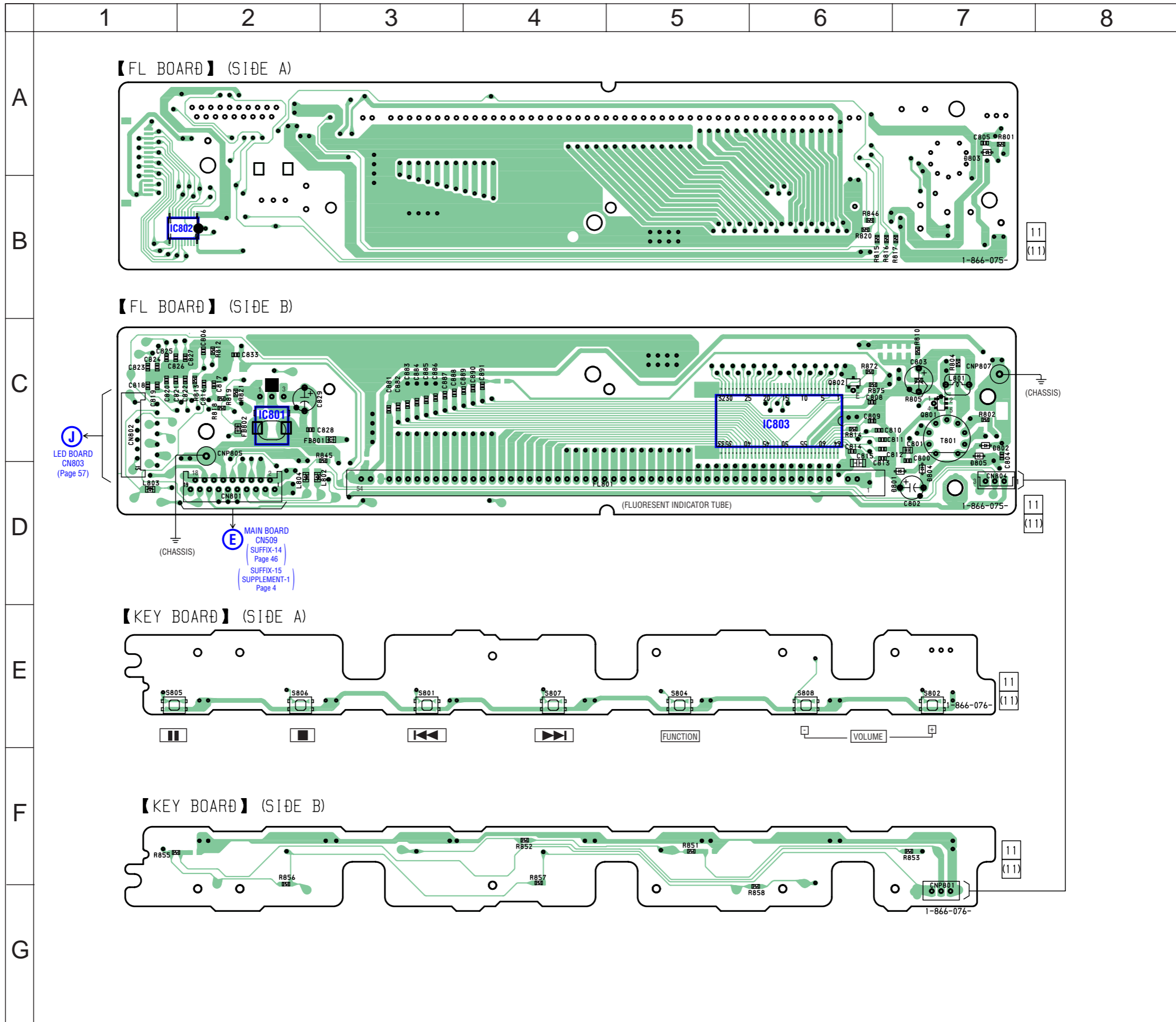


7-24. SCHEMATIC DIAGRAM – MAIN SECTION (7/8) –



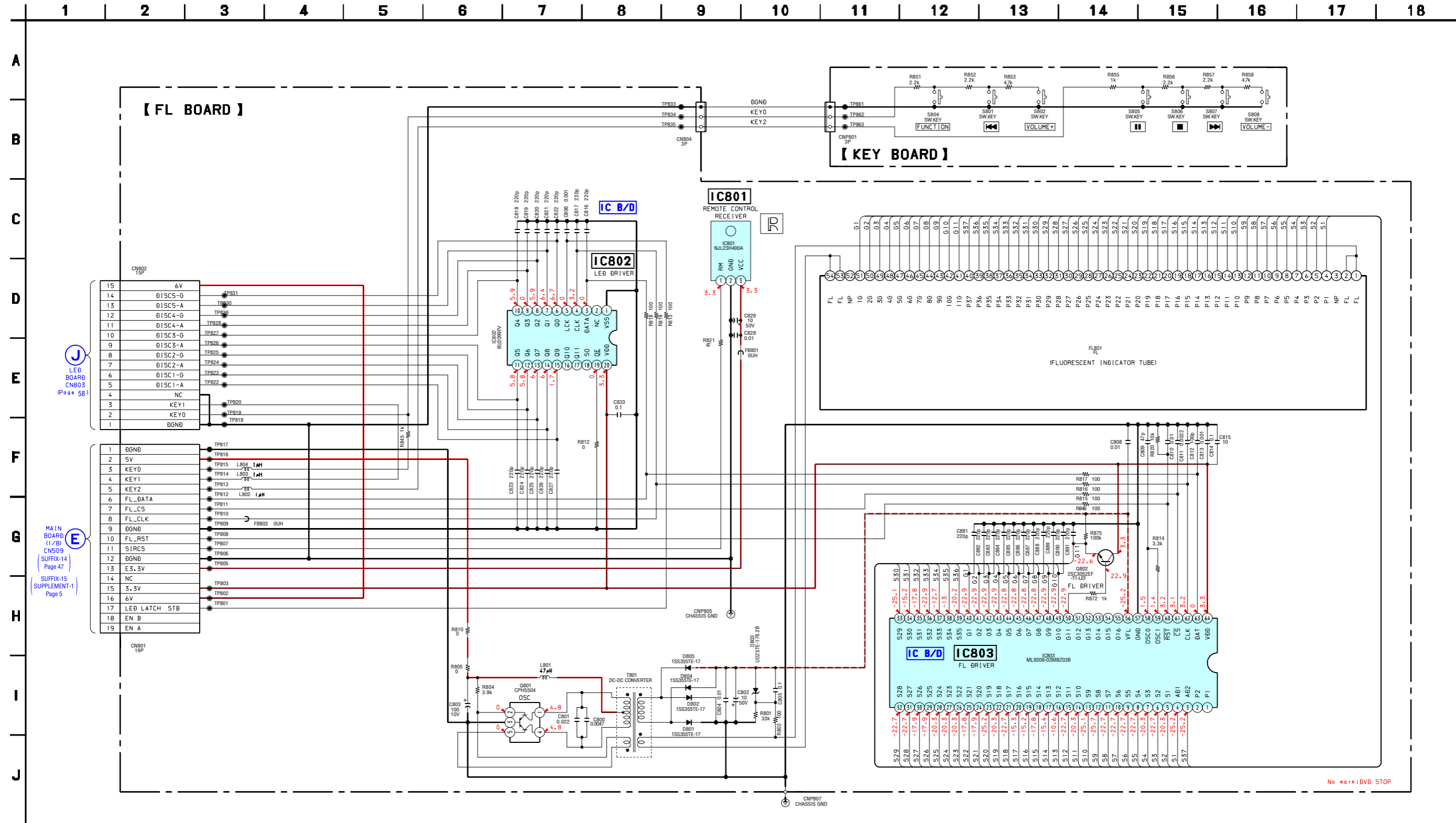


7-26. PRINTED WIRING BOARD – FL/KEY SECTION – • See page 29 for Circuit Boards Location.  :Uses unleaded solder.



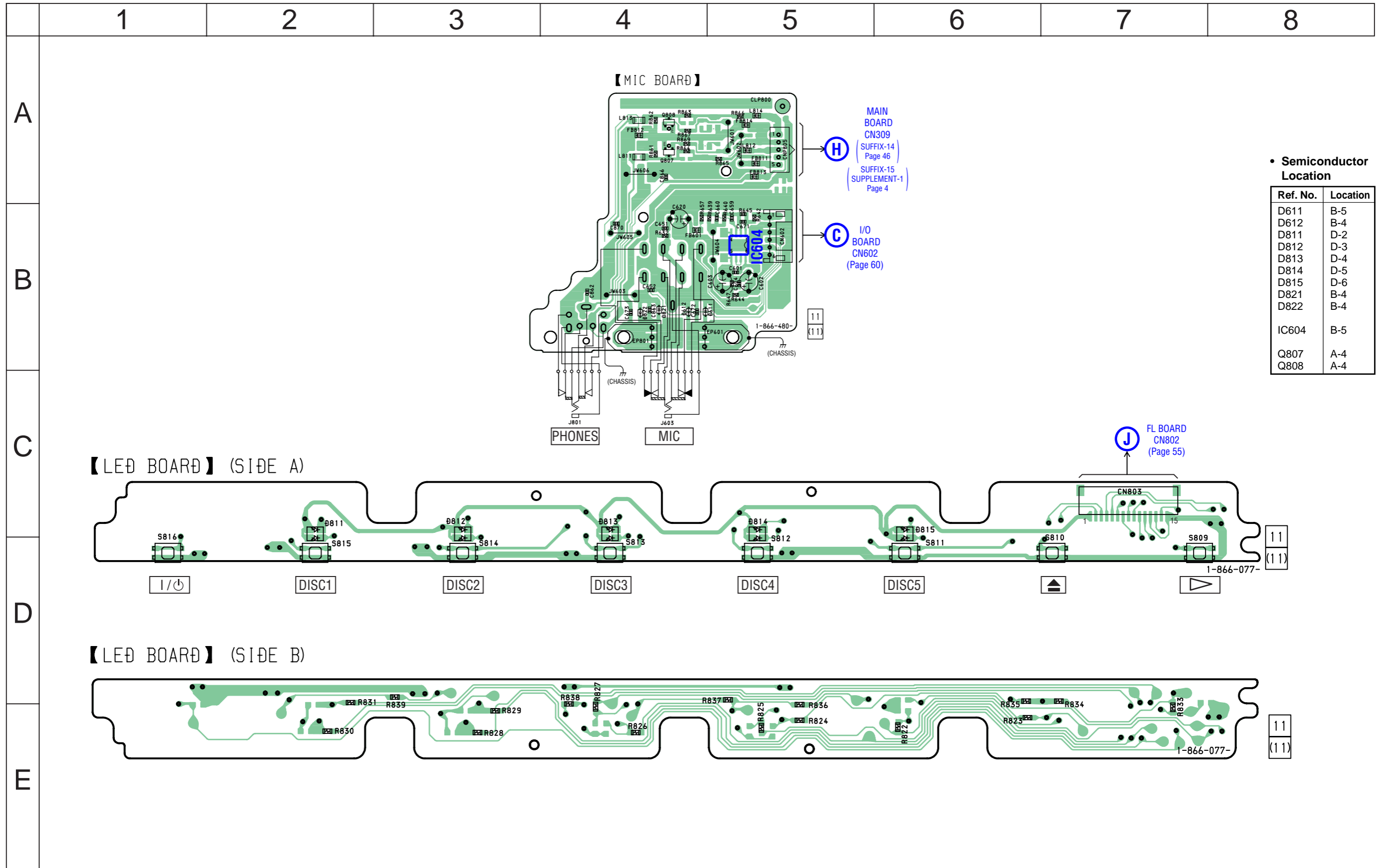
• Semiconductor Location

Ref. No.	Location
D801	D-7
D802	C-7
D803	B-7
D804	D-7
D805	C-7
IC801	C-2
IC802	B-2
IC803	C-6
Q801	C-7
Q802	C-6



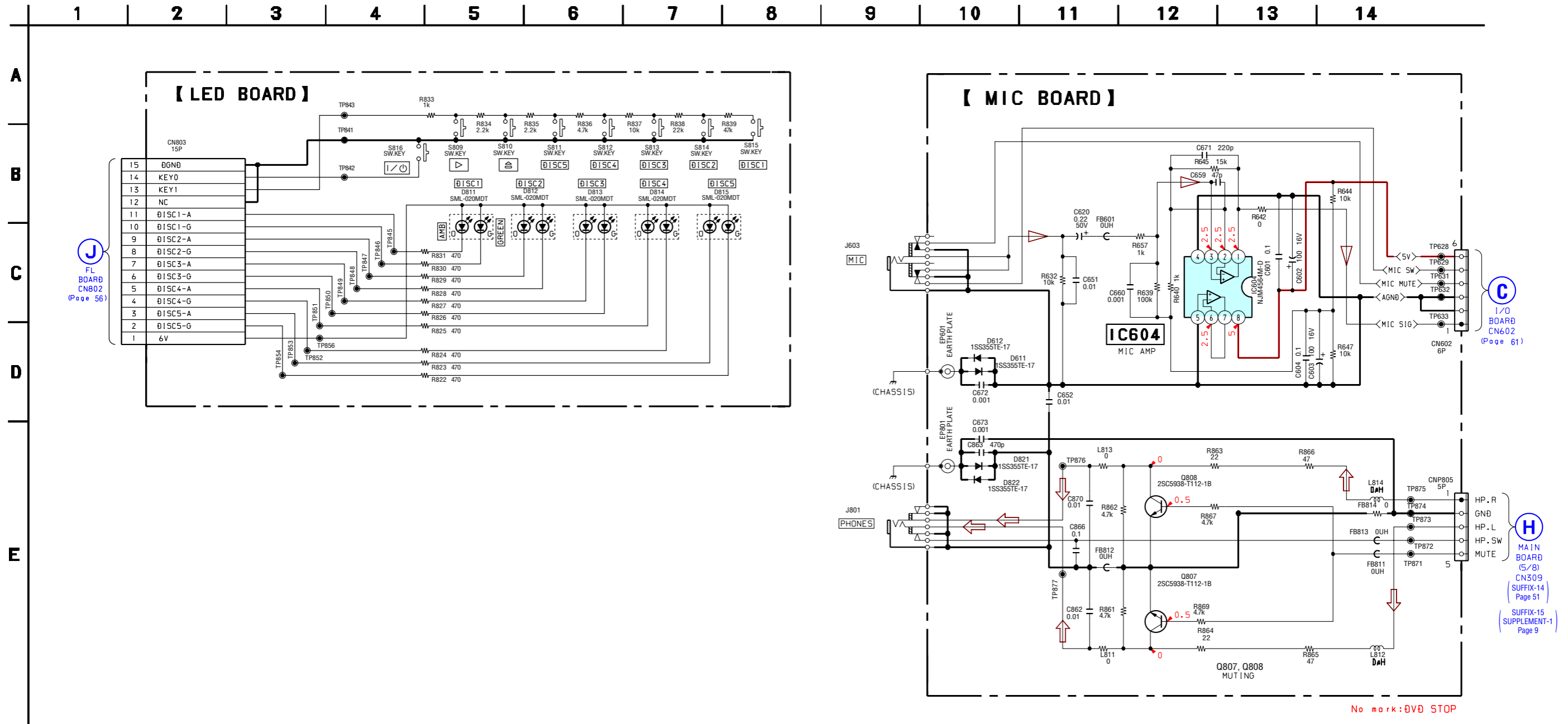
7-28. PRINTED WIRING BOARD – LED / MIC SECTION – • See page 29 for Circuit Boards Location.


:Uses unleaded solder.

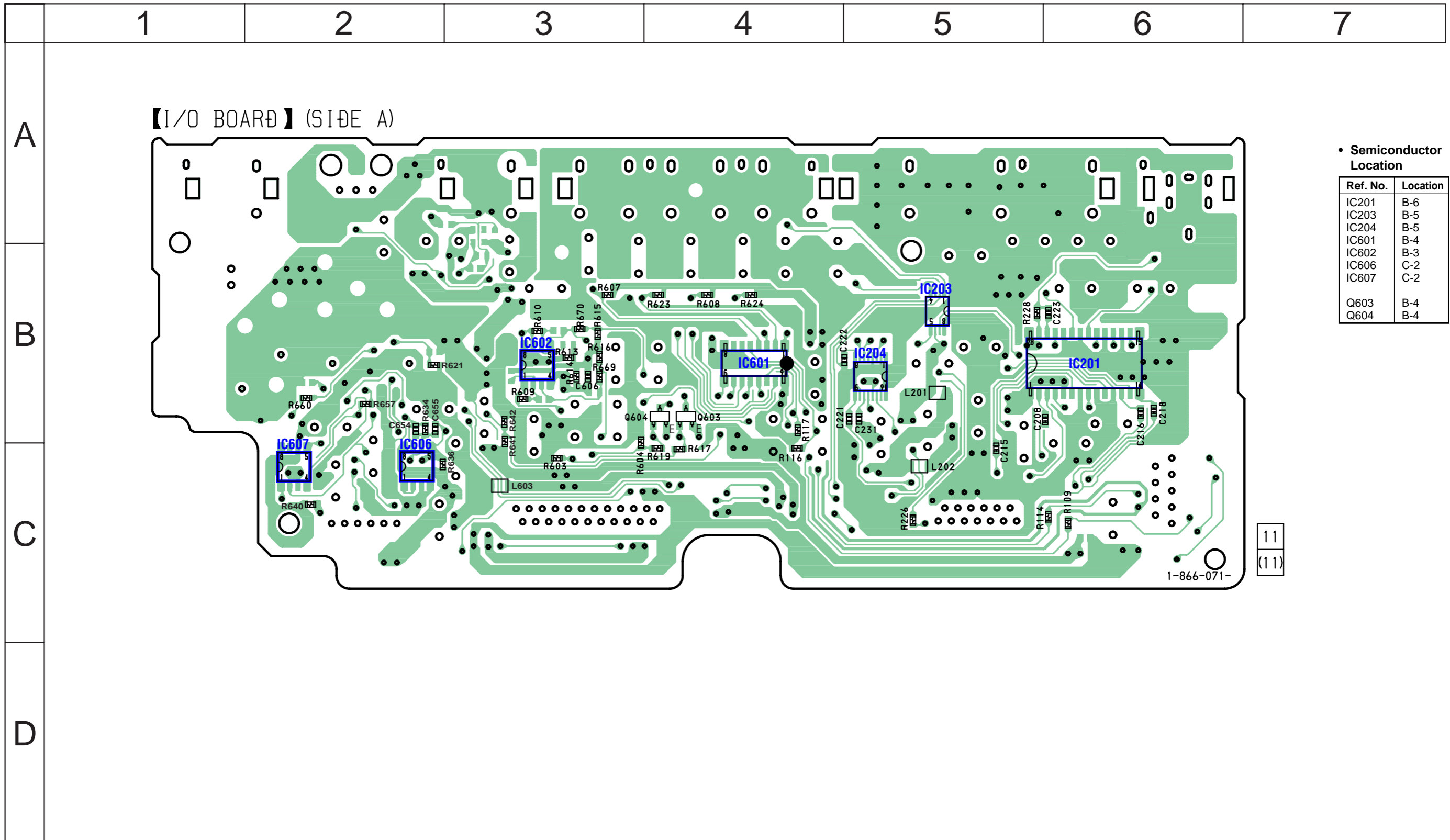


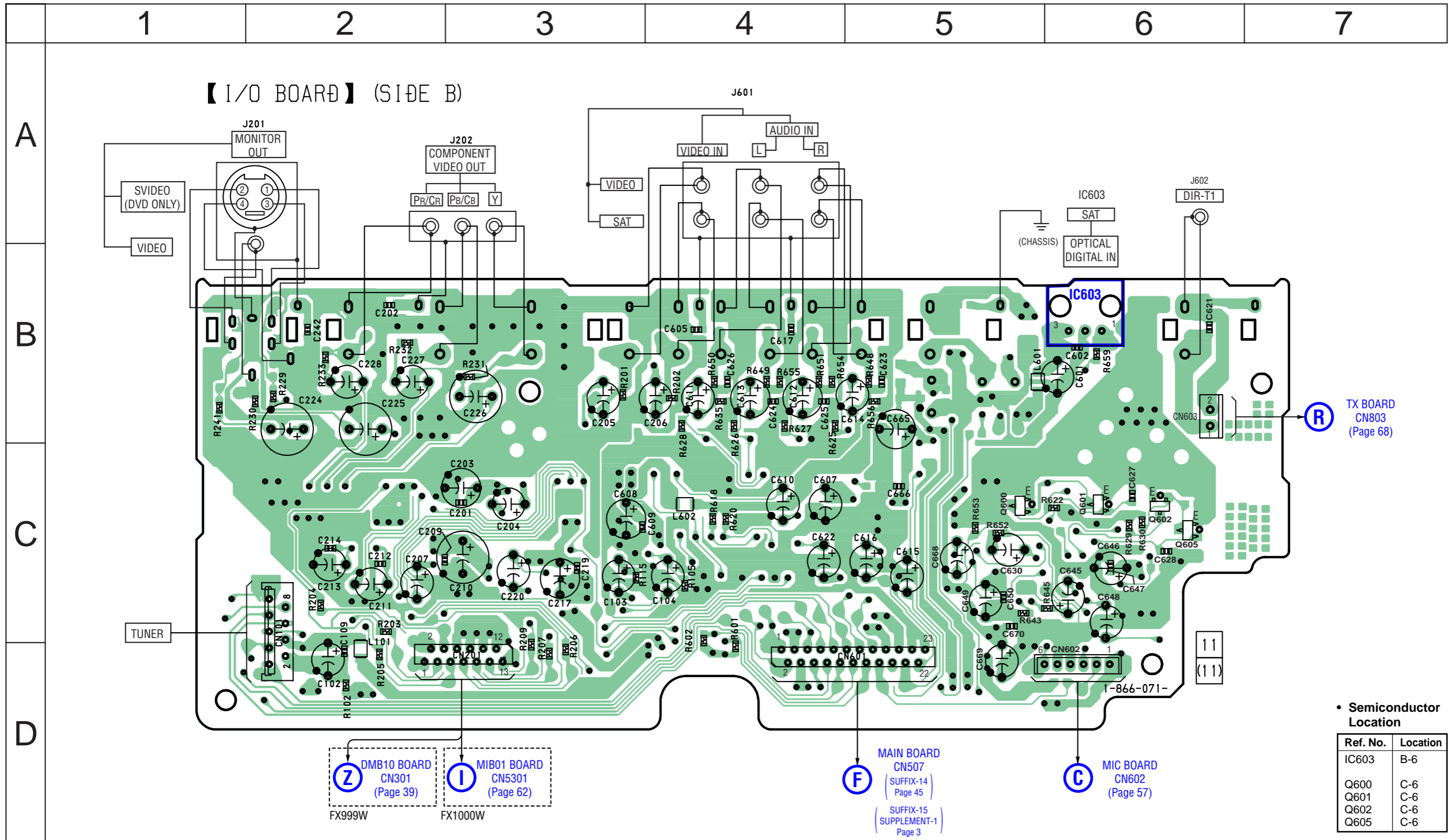
• Semiconductor Location

Ref. No.	Location
D611	B-5
D612	B-4
D811	D-2
D812	D-3
D813	D-4
D814	D-5
D815	D-6
D821	B-4
D822	B-4
IC604	B-5
Q807	A-4
Q808	A-4

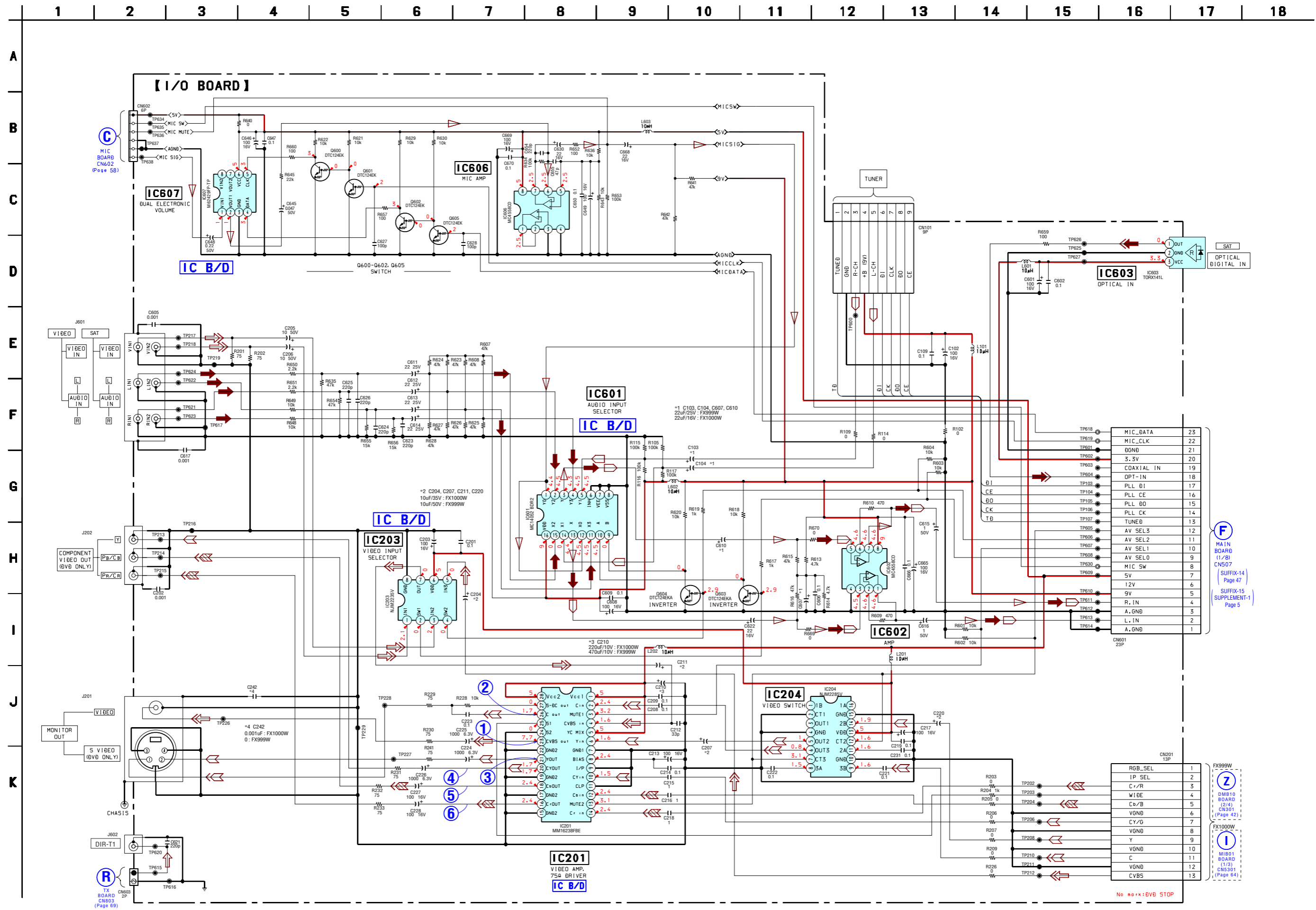


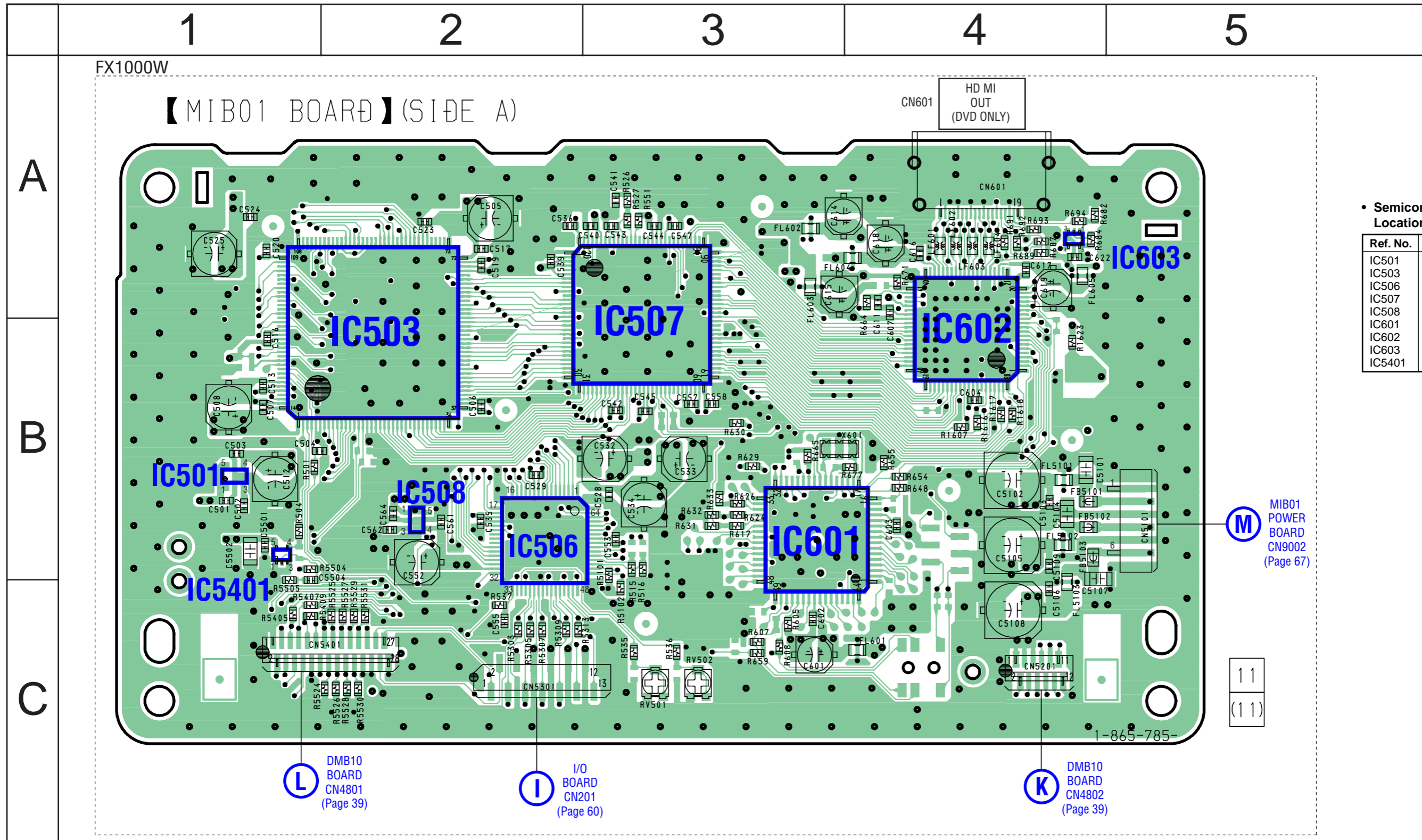
 :Uses unleaded solder.





7-32. SCHEMATIC DIAGRAM – I/O SECTION – • See page 74 for IC Block Diagrams. • See page 70 for Waveform.





• Semiconductor Location

Ref. No.	Location
IC501	B-1
IC503	B-2
IC506	B-2
IC507	B-3
IC508	B-2
IC601	B-3
IC602	B-4
IC603	A-5
IC5401	C-1

M MIB01 POWER BOARD CN9002 (Page 67)

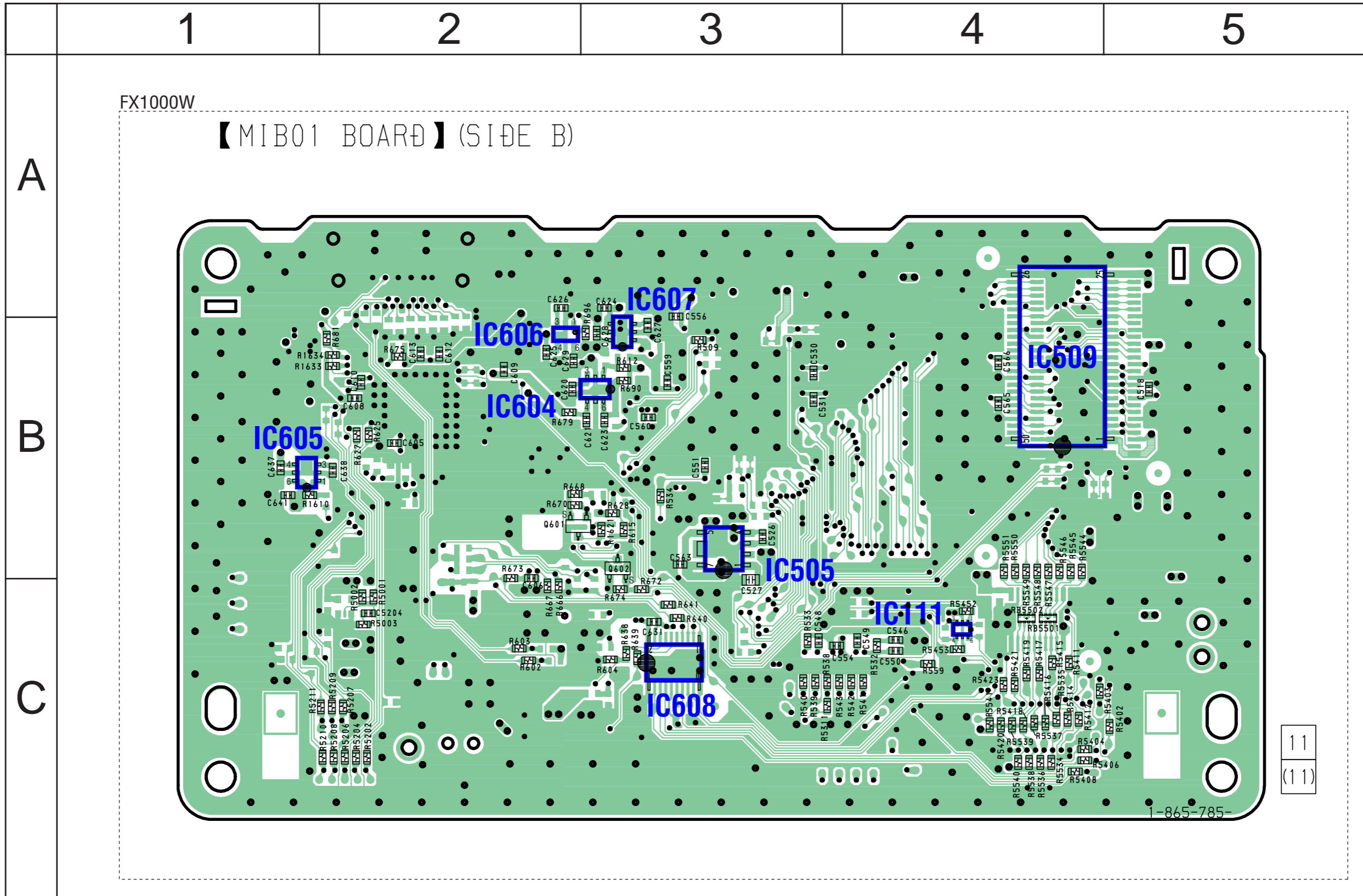
L DMB10 BOARD CN4801 (Page 39)

I I/O BOARD CN201 (Page 60)

K DMB10 BOARD CN4802 (Page 39)

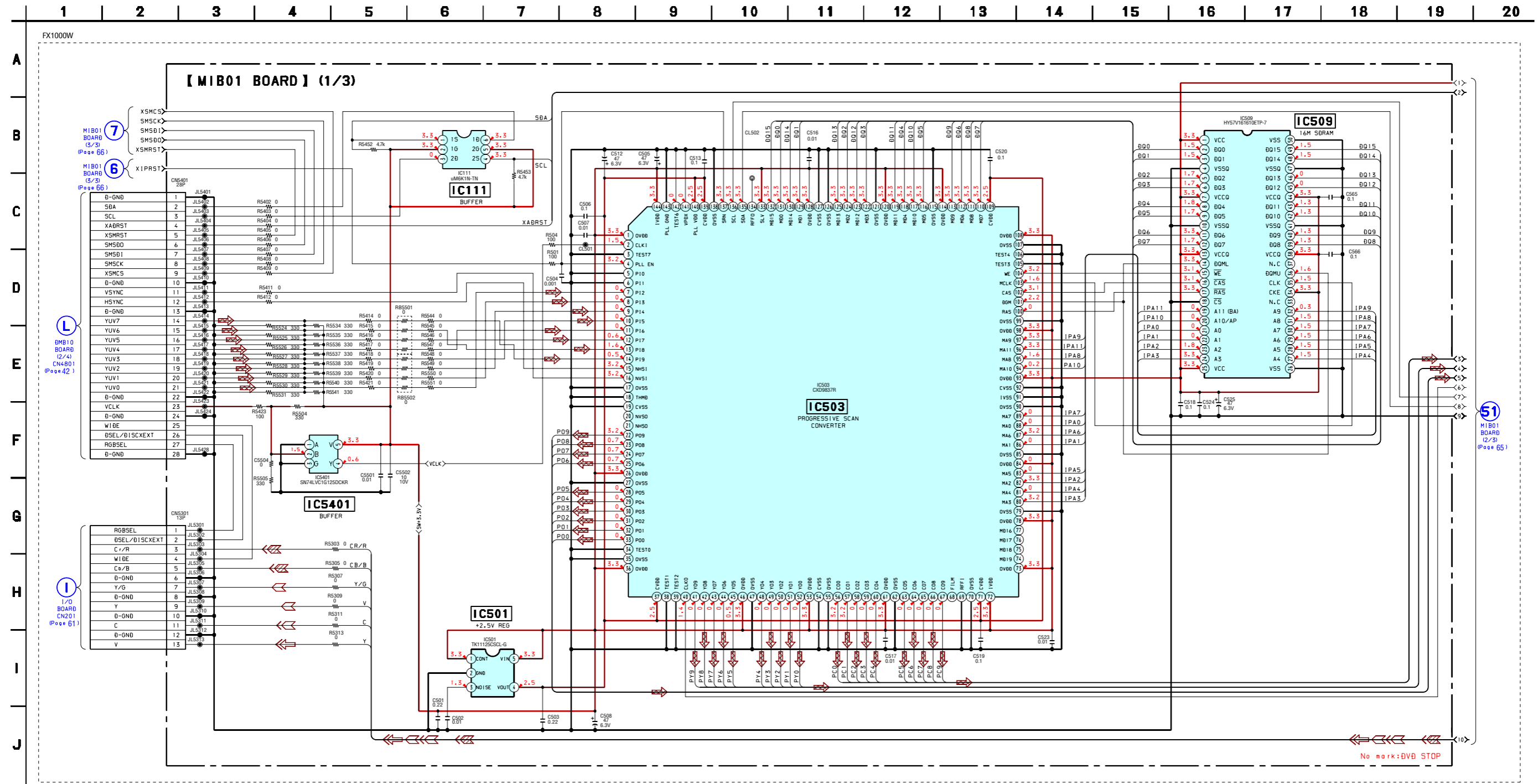
11
(11)

7-34. PRINTED WIRING BOARD – MIB01 SECTION (SIDE B) – • See page 29 for Circuit Boards Location.  :Uses unleaded solder.

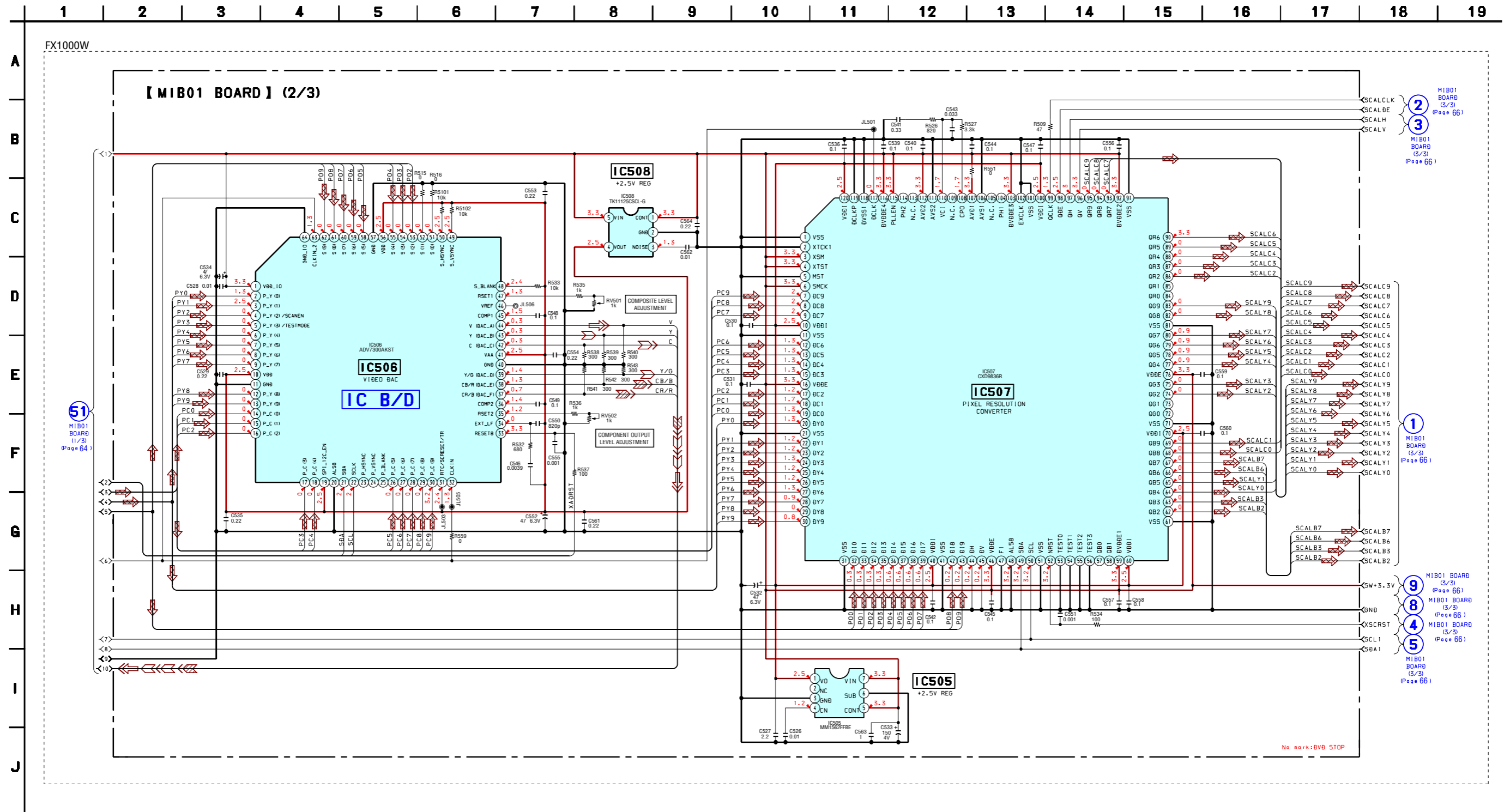


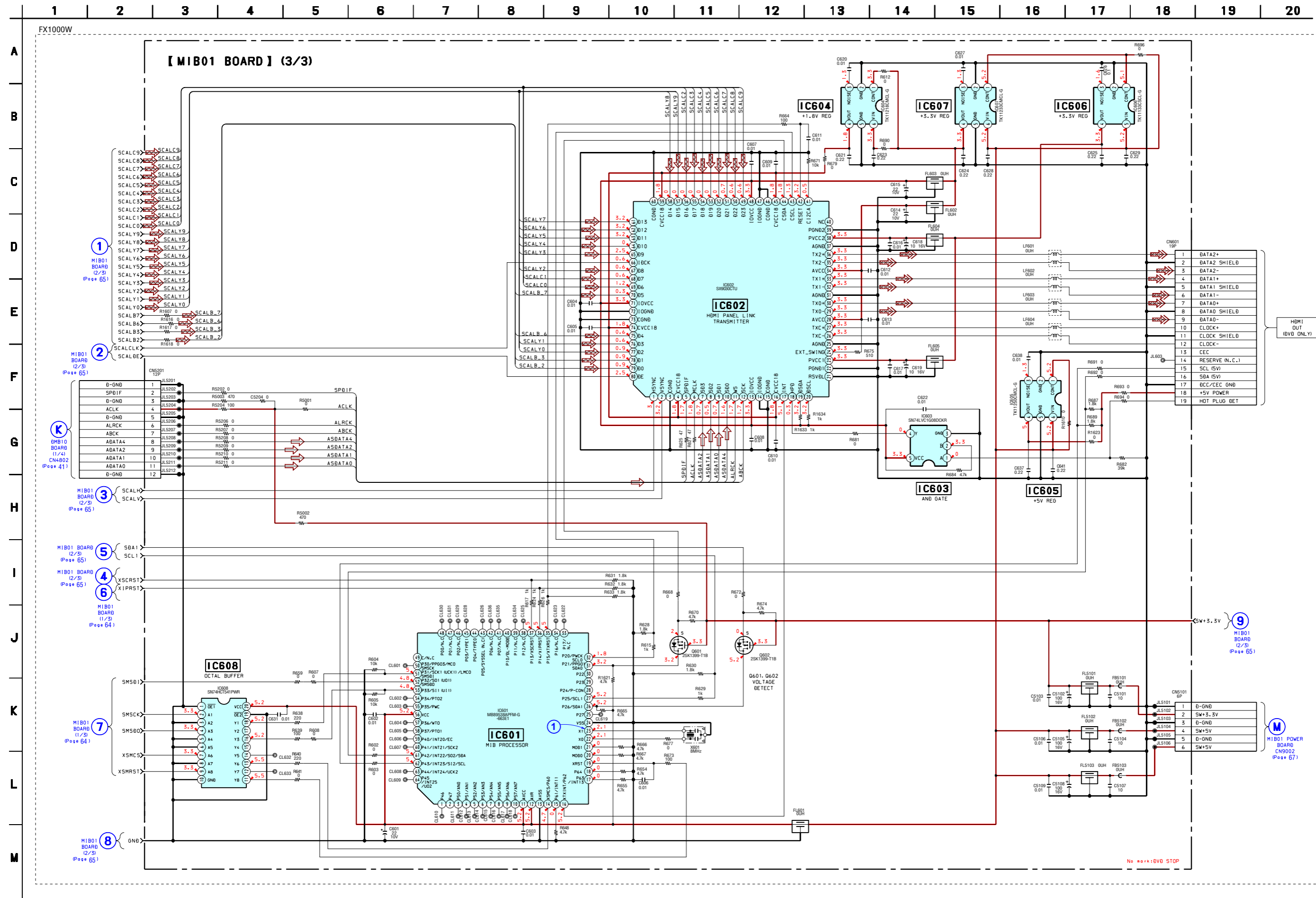
• Semiconductor Location

Ref. No.	Location
IC111	C-4
IC505	B-3
IC509	B-4
IC604	B-2
IC605	B-1
IC606	B-2
IC607	A-3
IC608	C-3
Q601	B-2
Q602	B-3



7-36. SCHEMATIC DIAGRAM – MIB01 SECTION (2/3) – • See page 76 for IC Block Diagrams. • See page 90 for IC Pin Function Description.

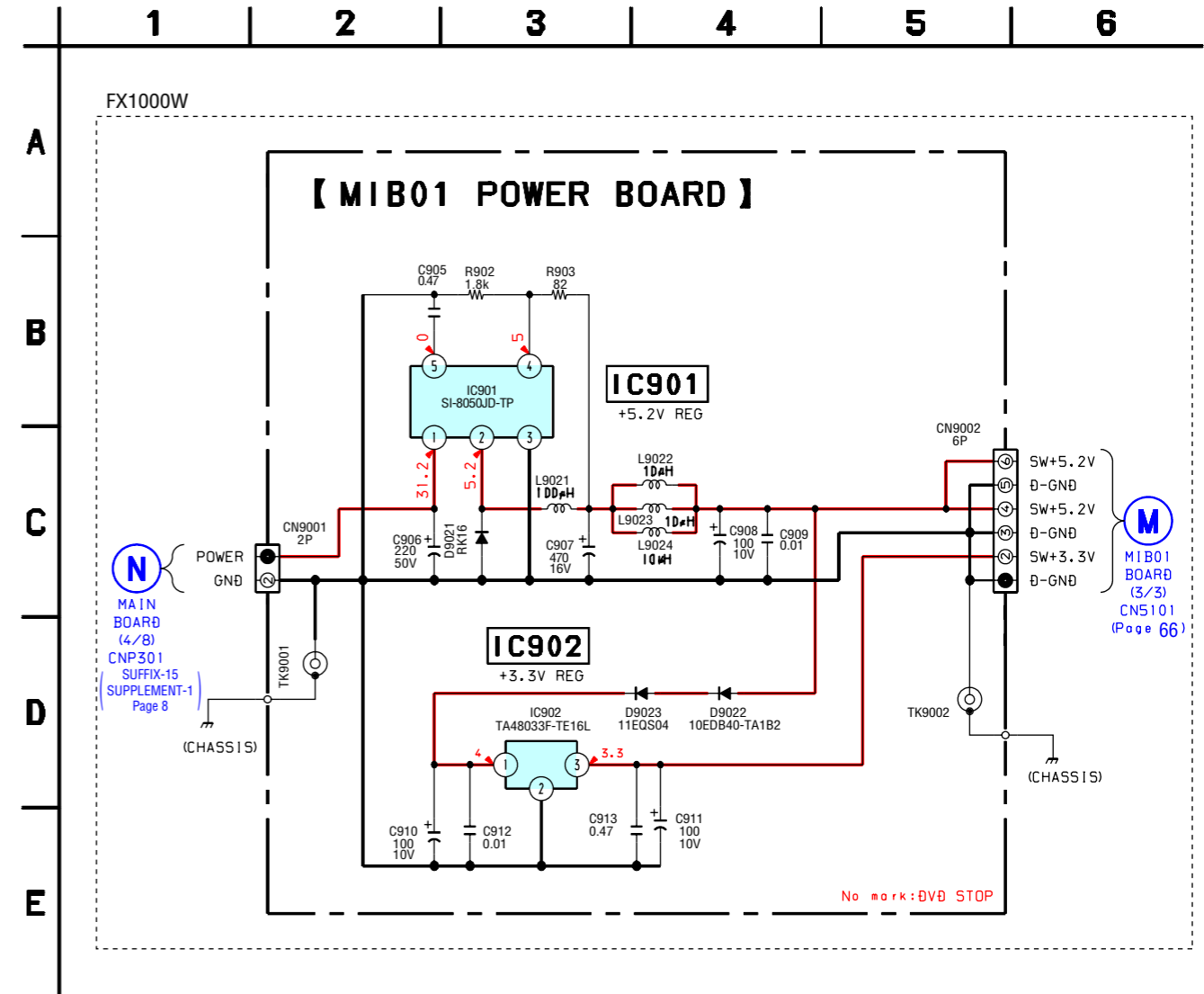
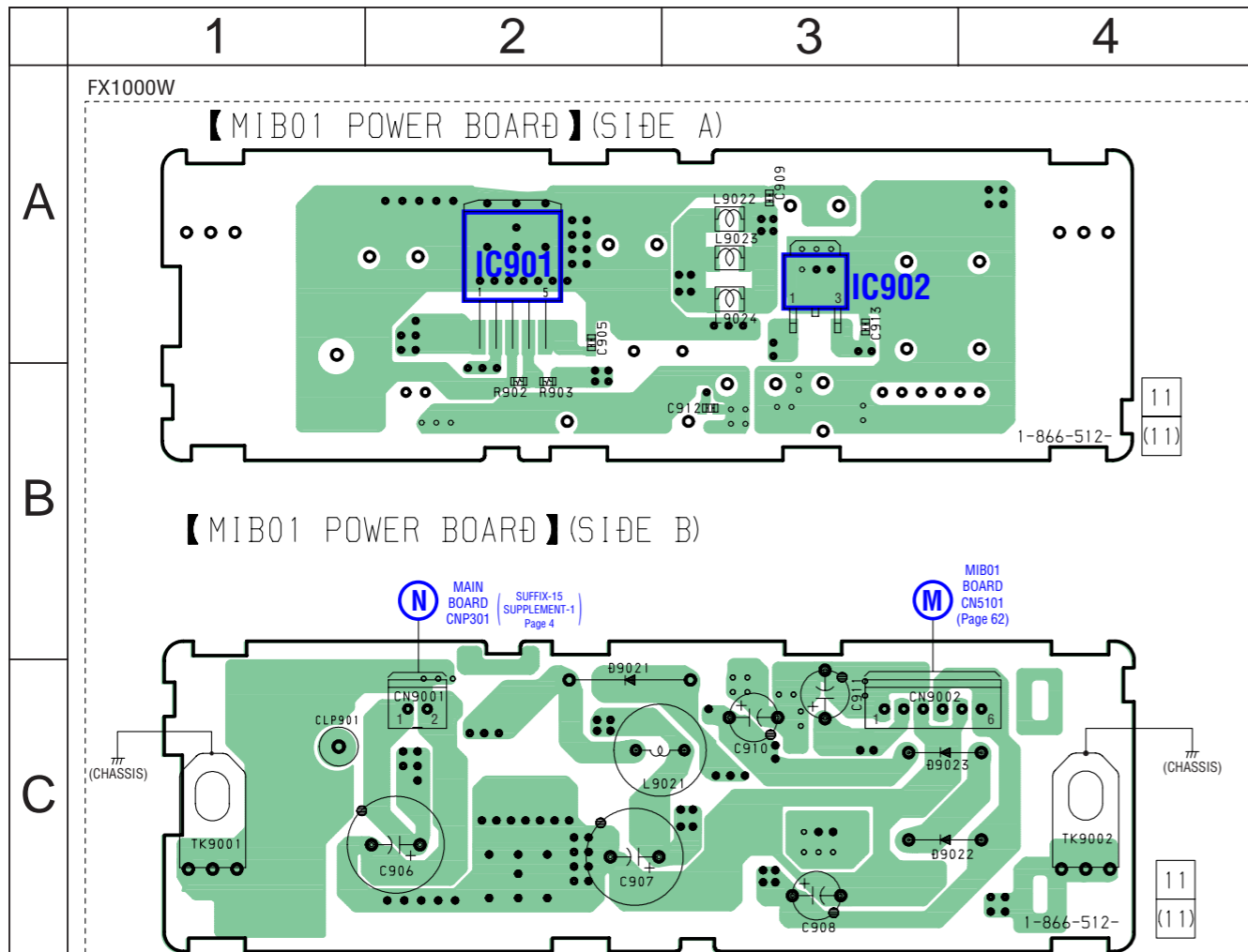




7-38. PRINTED WIRING BOARD – MIB01 POWER SECTION – • See page 29 for Circuit Boards Location.

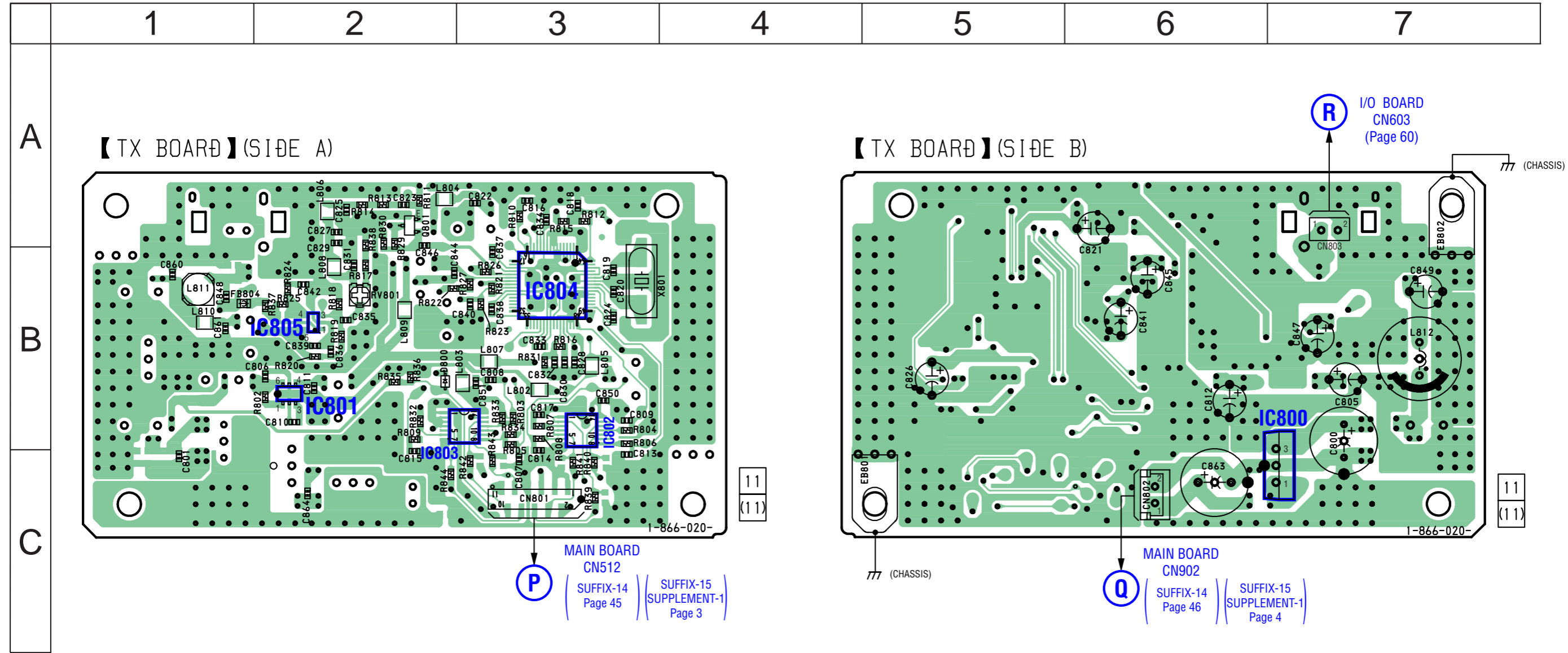
 :Uses unleaded solder.

7-39. SCHEMATIC DIAGRAM – MIB01 POWER SECTION –



• Semiconductor Location

Ref. No.	Location
D9021	C-2
D9022	C-4
D9023	C-4
IC901	A-2
IC902	A-3



P MAIN BOARD
CN512
SUFFIX-14
Page 45

SUFFIX-15
SUPPLEMENT-1
Page 3

Q MAIN BOARD
CN902
SUFFIX-14
Page 46

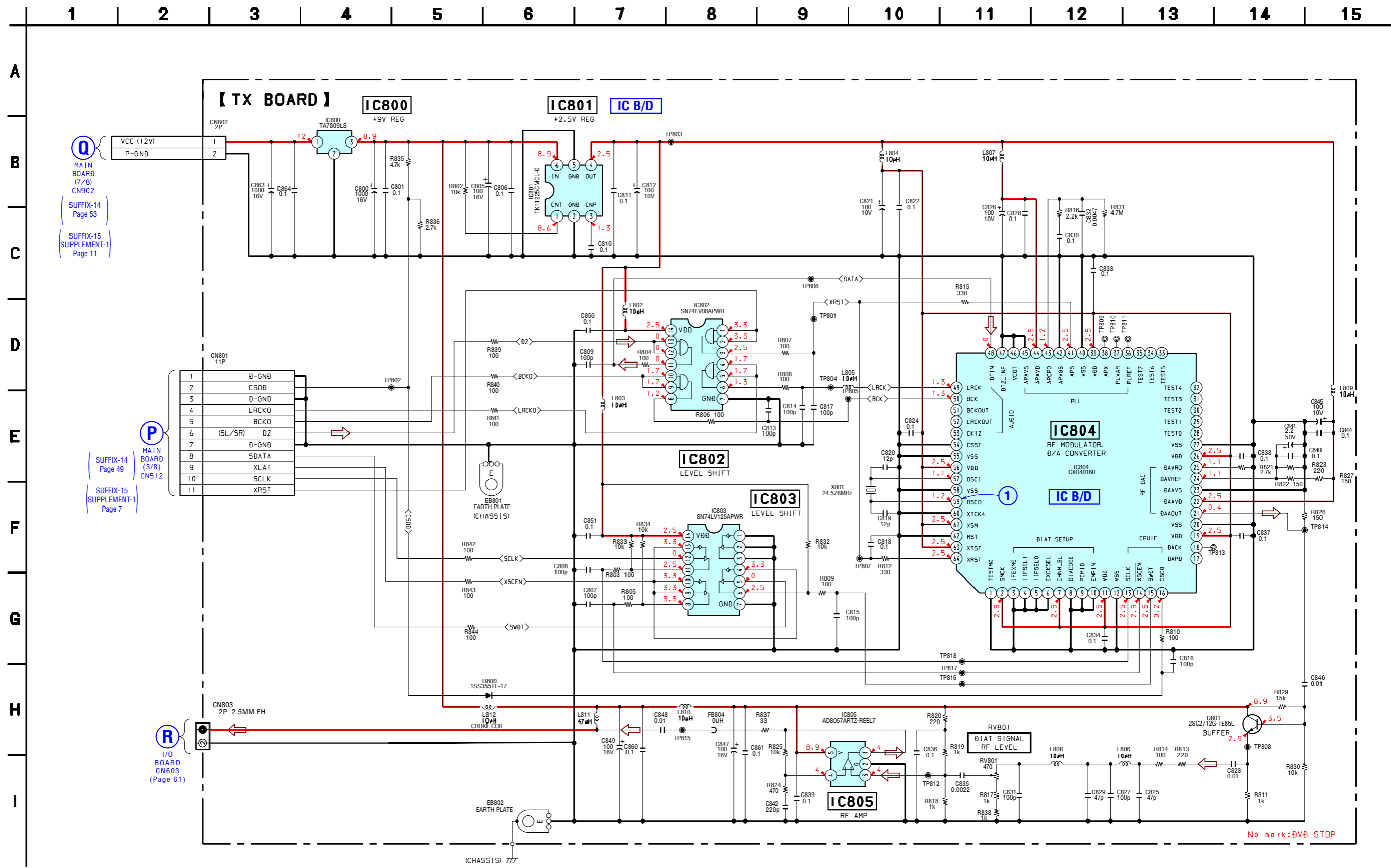
SUFFIX-15
SUPPLEMENT-1
Page 4

R I/O BOARD
CN603
(Page 60)

• Semiconductor Location

Ref. No.	Location
D800	B-2
IC800	B-7
IC801	B-2
IC802	B-3
IC803	B-2
IC804	B-3
IC805	B-2
Q801	A-2

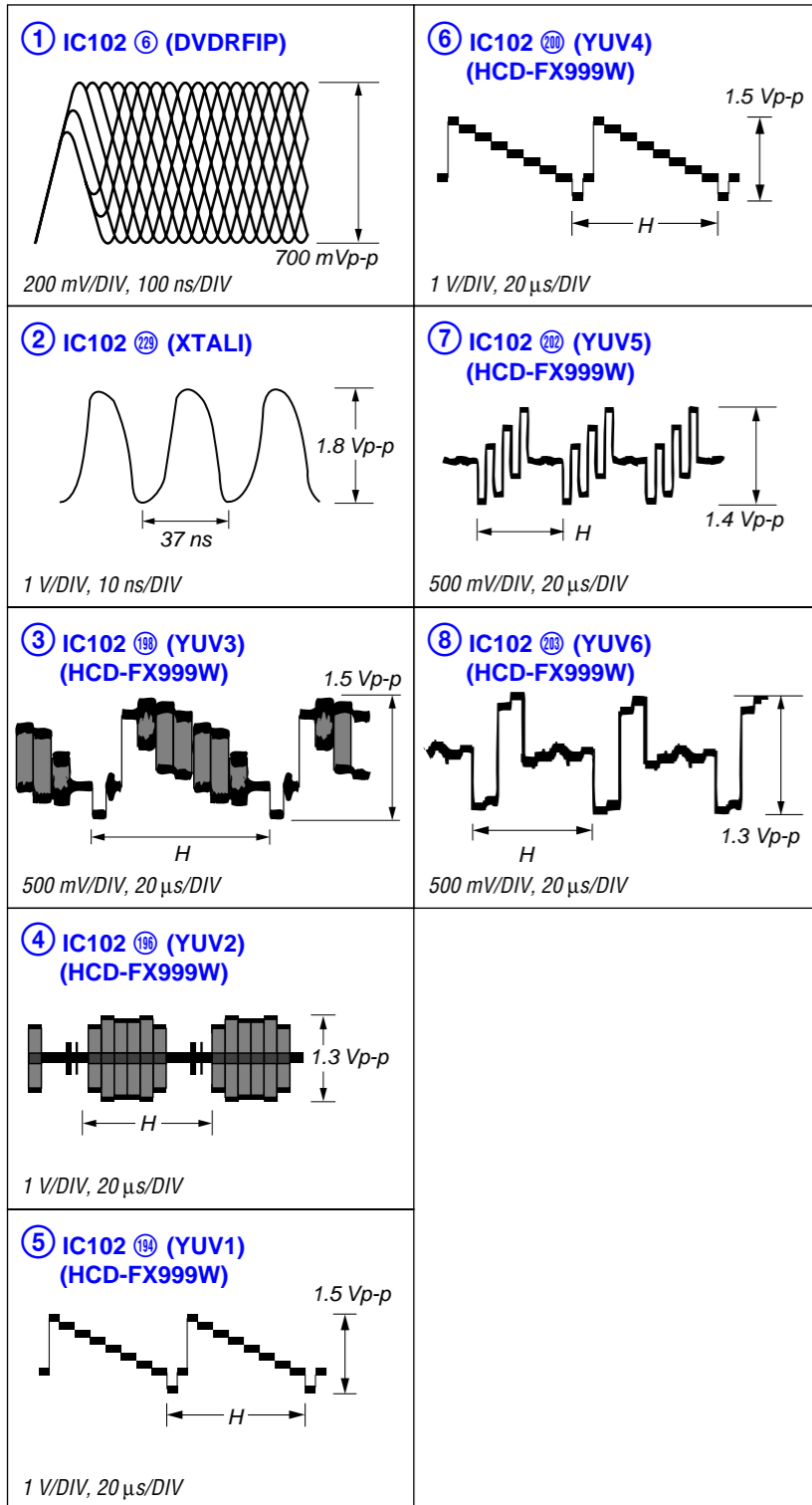
7-41. SCHEMATIC DIAGRAM – TX SECTION – • See page 75 for IC Block Diagrams. • See page 70 for Waveform.



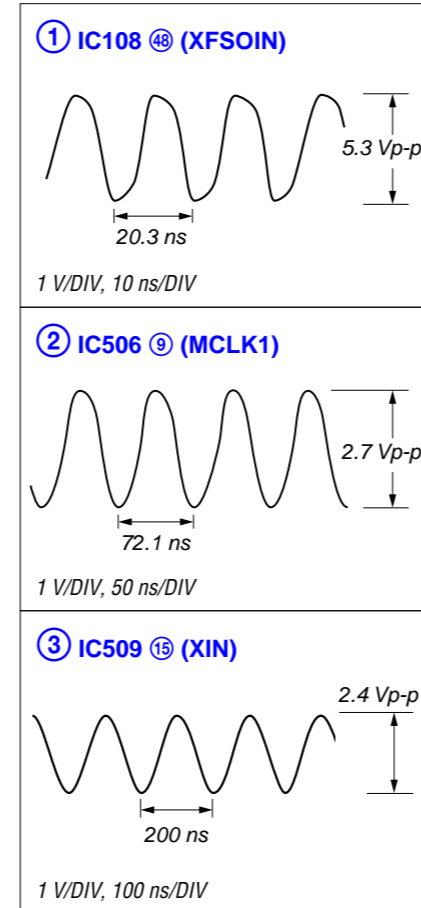
HCD-FX999W/FX1000W

Ver. 1.1

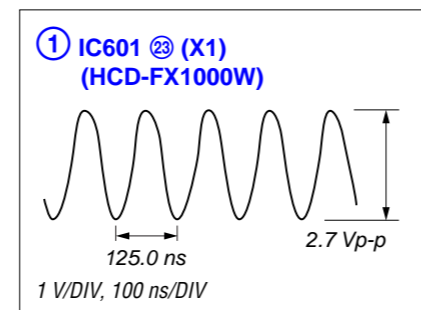
• Waveforms
– DMB10 Board –



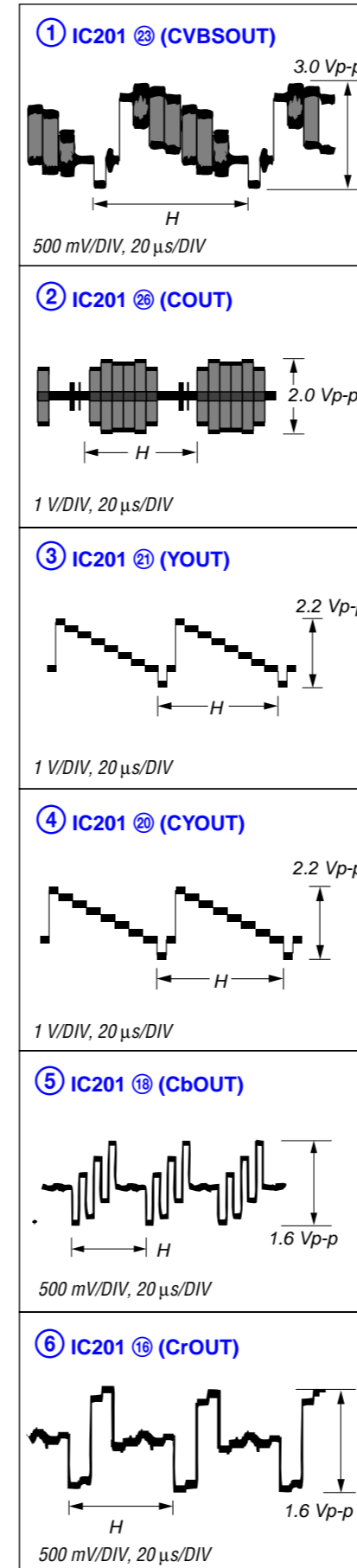
– MAIN Board –



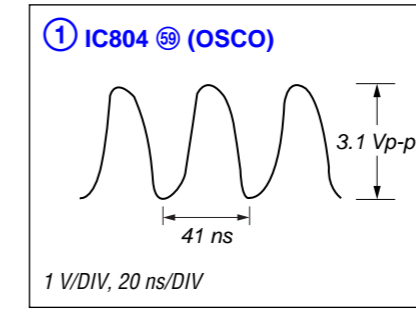
– MIB01 Board –



– I/O Board –



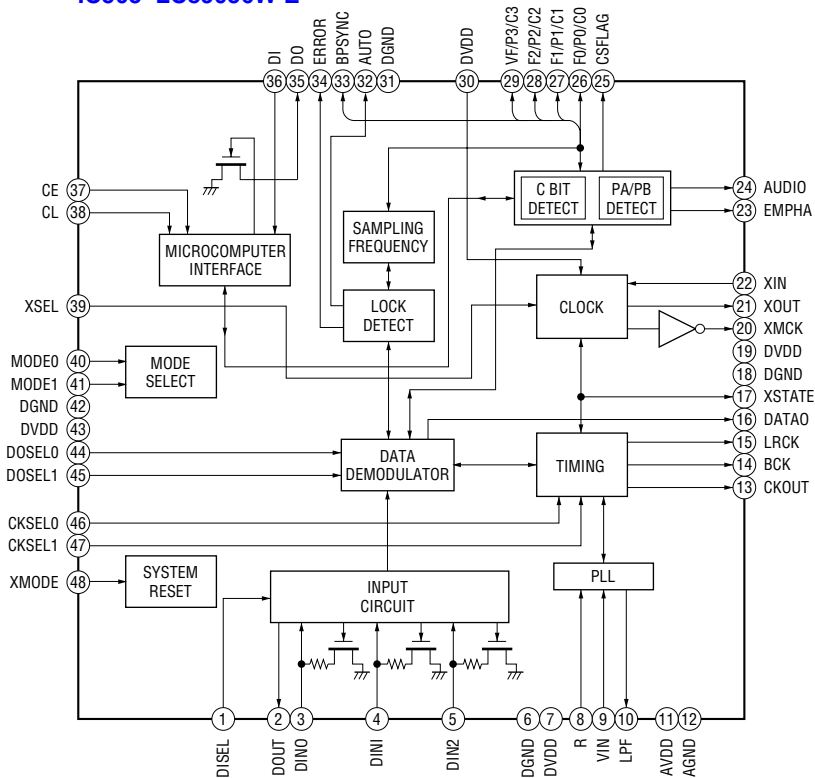
– TX Board –



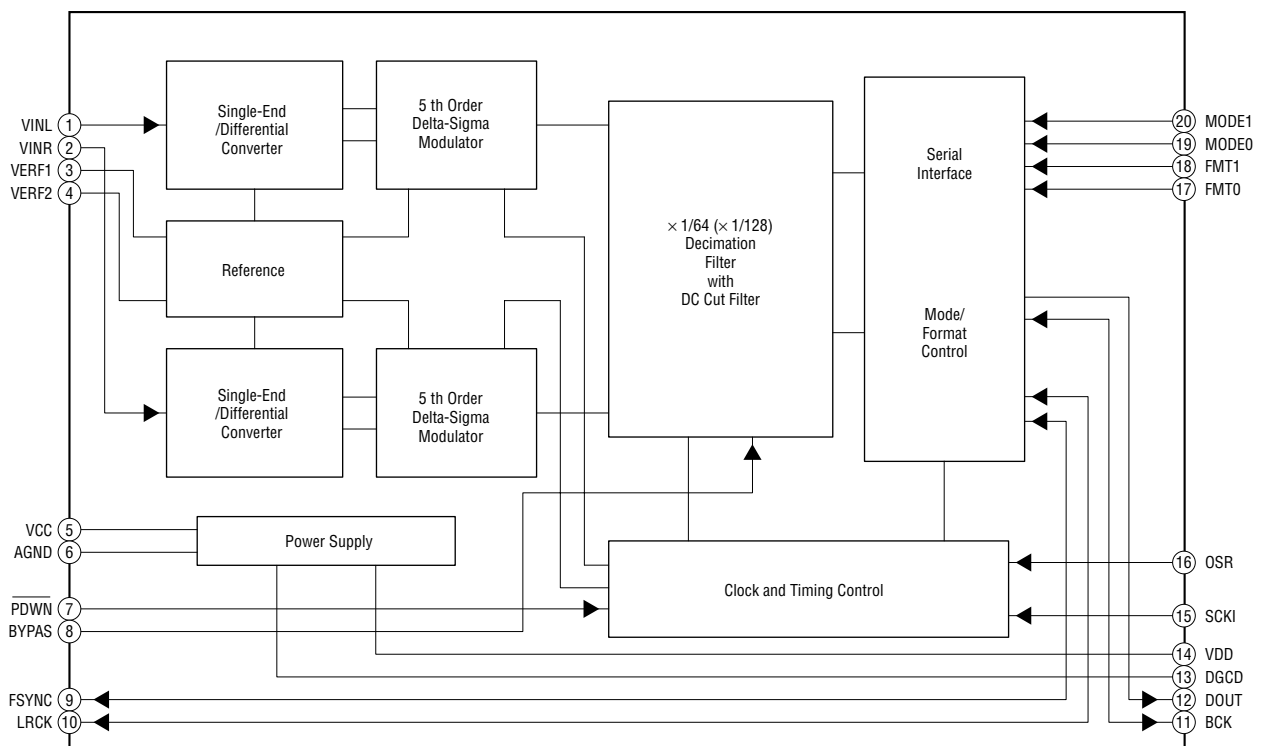
• IC Block Diagrams

– MAIN Board –

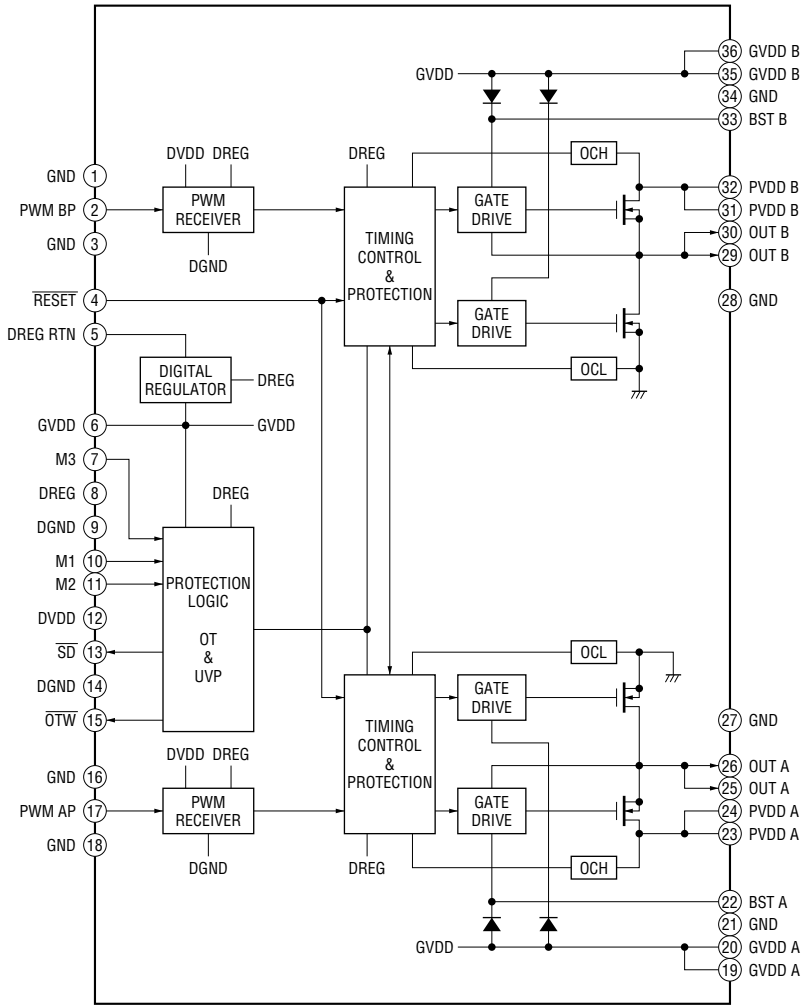
IC505 LC89056W-E



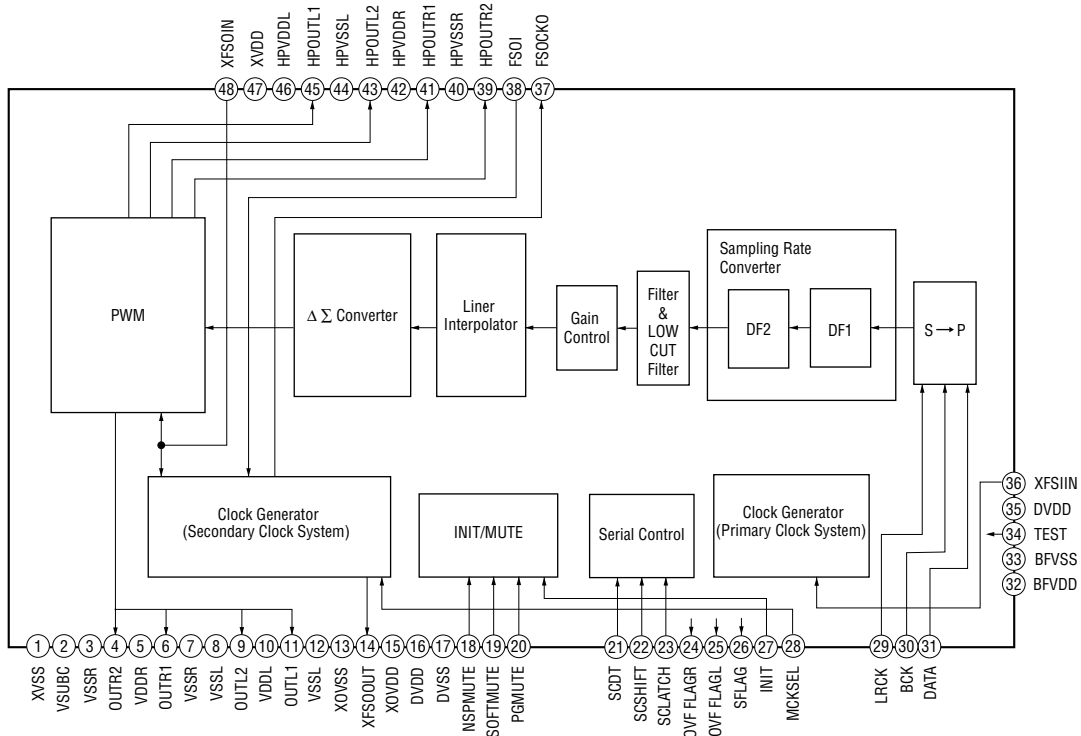
IC501 PCM1803DBR



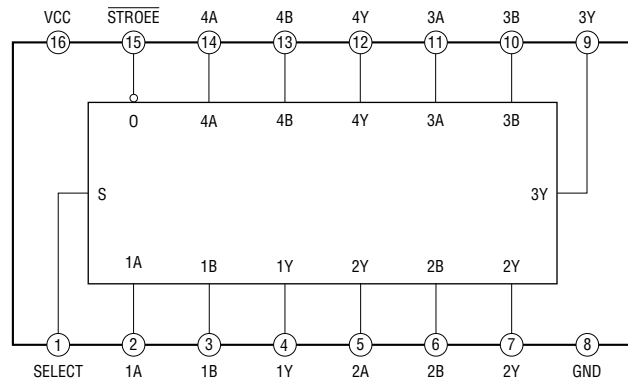
IC101,102,105,106,107 CXD9775M



IC108, 110 CXD9843AR

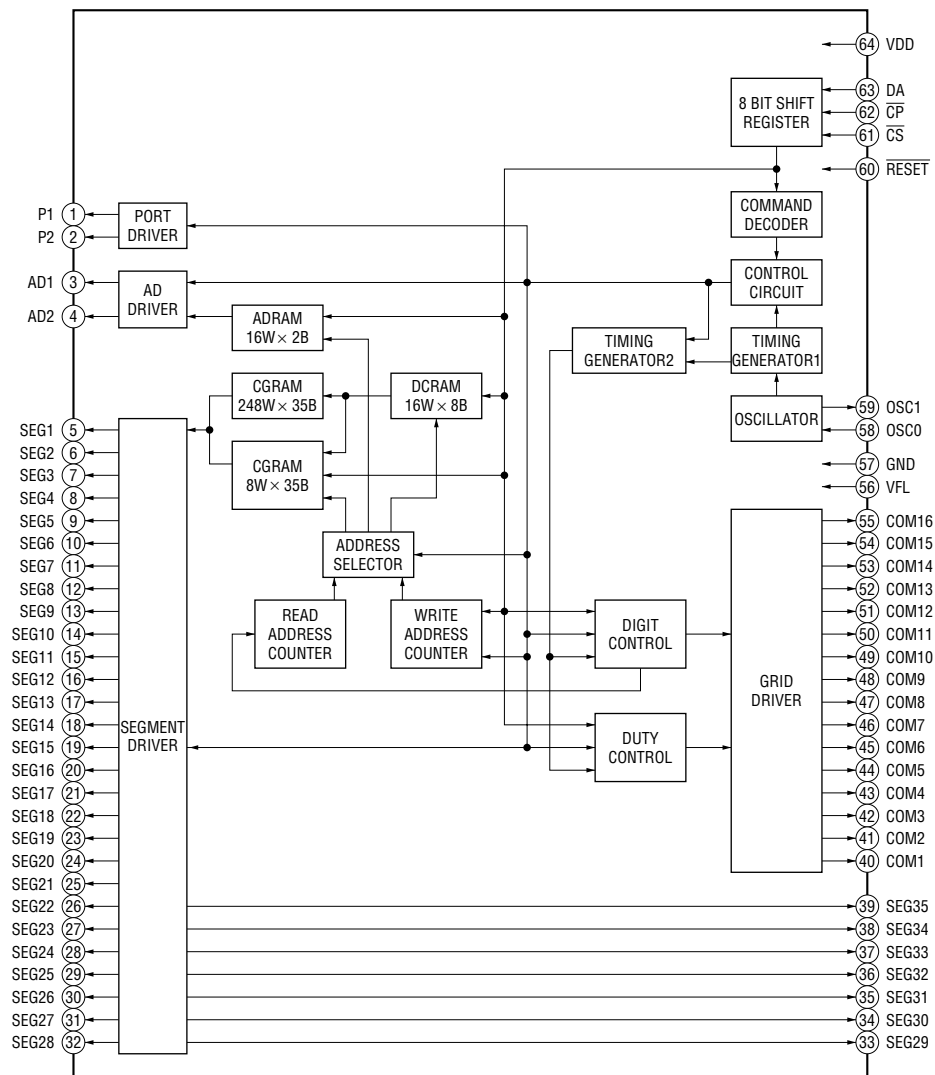


IC514 SN74LV157APWR

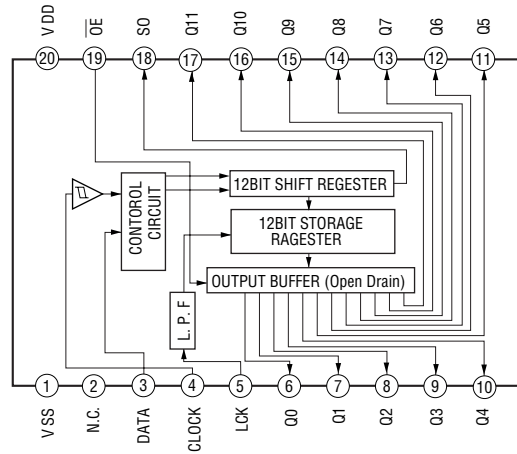


– FL Board –

IC803 ML9208-03MBZ03B

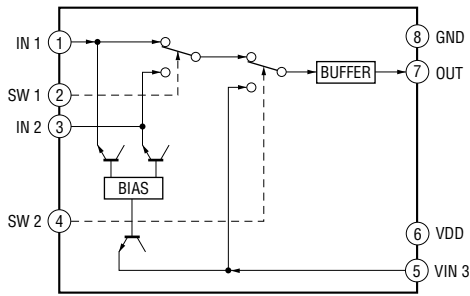


IC802 BU2099FV

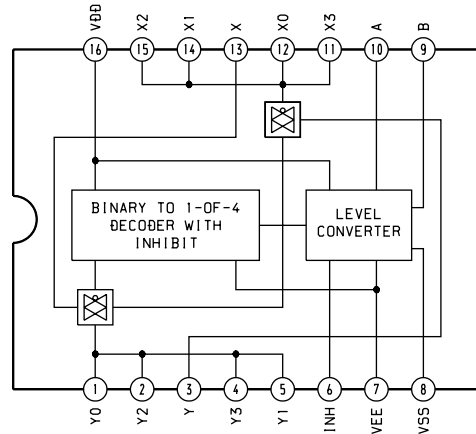


– I/O Board –

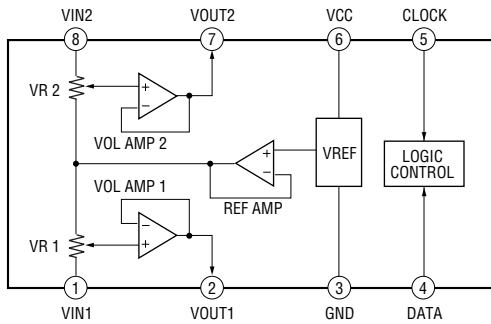
IC203 NJM2235V (TE2)



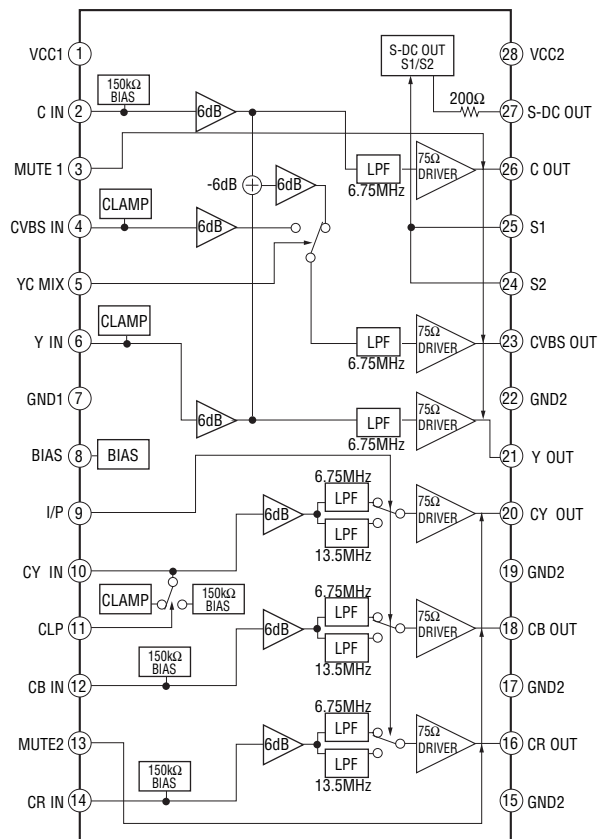
IC601 MC14052BDR2



IC607 M62429FP-TP

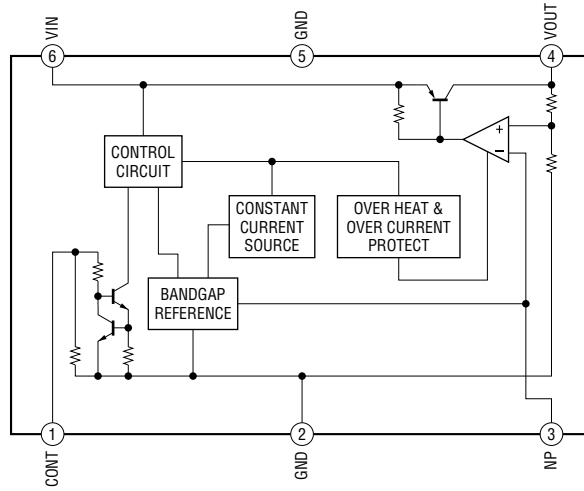


IC201 MM1623BFBE

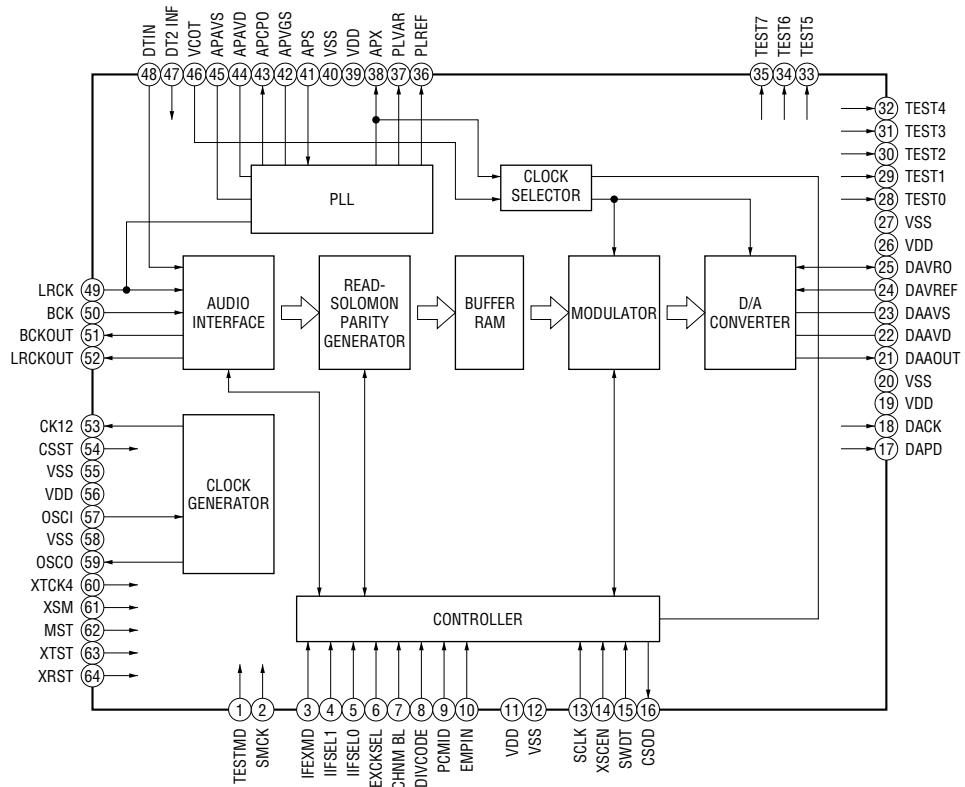


- TX Board -

IC801 TK11225CMCL-G



IC804 CXD4016R

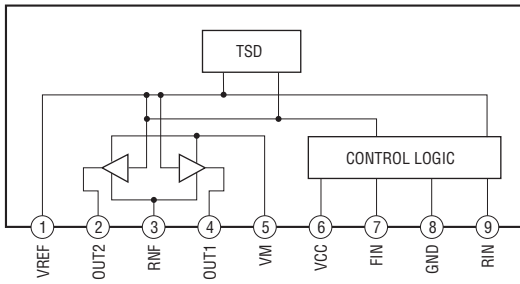


HCD-FX999W/FX1000W

Ver. 1.1

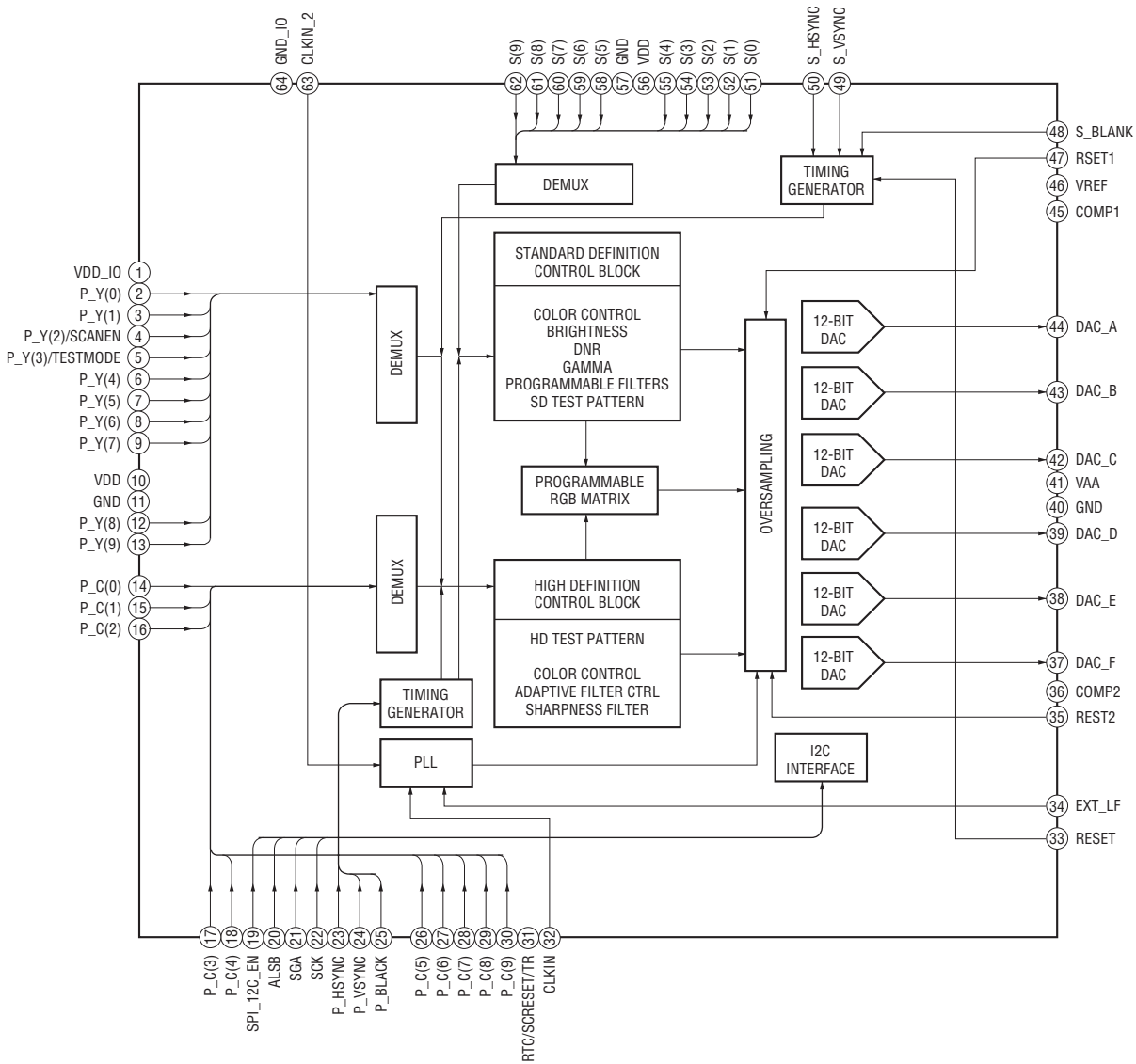
- RELAY Board -

IC701, 711, 721 BA6956AN



- MIB01 Board -

IC506 ADV7300AKST



• IC Pin Function Description
MAIN BOARD IC506 CXD9862R (DIGITAL AUDIO PROCESSOR)

Pin No.	Pin Name	I/O	Description
1	VSS	—	Ground terminal
2	XRST	I	System reset signal input from the system controller “L”: reset
3	EXTIN	I	Master clock signal input terminal (connected to ground)
4	LRCKI3	I	L/R sampling clock signal input terminal (not used)
5	VDDI	—	Power supply terminal (+2.5V)
6	BCKI3	I	Bit clock signal input terminal (not used)
7	PLOCK	O	Internal PLL lock signal output terminal (not used)
8	VSS	—	Ground terminal
9	MCLK1	I	System clock input terminal (13.9 MHz)
10	VDDI	—	Power supply terminal (+2.5V)
11	VSS	—	Ground terminal
12	MCLK2	O	System clock output terminal (13.9 MHz)
13	MS	I	Master/slave setting terminal “L”: internal clock, “H”: external clock (fixed at “L” in this set)
14	SCKOUT	O	Internal system clock output to the stream processor
15	LRCKI1	I	L/R sampling clock signal input from the digital audio interface
16	VDDE	—	Power supply terminal (+3.3V)
17	BCKI1	I	Bit clock signal input from the digital audio interface
18	SDI1	I	Audio serial data input from the digital audio interface
19	LRCKO	O	L/R sampling clock signal output to the stream processor
20	BCKO	O	Bit clock signal output to the stream processor
21	VSS	—	Ground terminal
22	KFSIO	I	Audio clock signal input from DSP
23 to 25	SDO1 to SDO3	O	Audio serial data output to the stream processor
26	SDO4	O	Audio serial data output terminal (not used)
27	SPDIF	O	SPDIF signal output terminal (not used)
28	LRCKI2	I	L/R sampling clock signal input from DSP
29	BCKI2	I	Bit clock signal input from DSP
30	SDI2	I	Audio serial data input from the digital audio interface
31	VSS	—	Ground terminal
32	HACN	O	Acknowledge signal output to the system controller
33	HDIN	I	Serial data input from the system controller
34	HCLK	I	Serial data transfer clock signal input from the system controller
35	HDOOUT	O	Serial data output to the system controller
36	HCS	I	Chip select input from the system controller
37	GP12	I	Write signal input from the system controller
38	GP13	O	SD-RAM chip enable output terminal (not used)
39	GP14	O	Row address strobe signal output terminal (not used)
40	VDDI	—	Power supply terminal (+2.5V)
41	VSS	—	Ground terminal
42	GP15	O	Column address strobe signal output terminal (not used)
43	OE0	O	Output terminal of data output mask (not used)
44	CS0	O	Chip select signal output to the S-RAM
45	WE0	O	Write enable signal output to the S-RAM
46	VDDE	—	Power supply terminal (+3.3V)
47	WMD1	I	External memory wait mode setting terminal (connected to +3.3V)
48	VSS	—	Ground terminal

Pin No.	Pin Name	I/O	Description
49	WMD0	I	External memory wait mode setting terminal (connected to +3.3V)
50	PAGE2	O	External memory page selection signal output terminal (not used)
51	VSS	—	Ground terminal
52, 53	PAGE1, PAGE0	O	External memory page selection signal output terminal (not used)
54	BOOT	I	Boot mode control signal input terminal (connected to ground)
55	TST1	O	Not used
56	BST	I	Boot strap signal input from the system controller
57	MOD1	I	Operation mode setting terminal “L”: enhanced mode, “H”: normal mode (fixed at “H” in this set)
58	MOD0	I	Operation mode setting terminal “L”: single chip mode, “H”: can not use (fixed at “L” in this set)
59	EXLOCK	I	PLL lock error signal and data error flag input from the digital audio interface
60	VDDI	—	Power supply terminal (+2.5V)
61	VSS	—	Ground terminal
62, 63	A17, A16	O	Address signal output terminal (not used)
64 to 66	A15 to A13	O	Address signal output to the S-RAM
67	GP10	I	L/R sampling clock signal input terminal
68	GP9	O	Read ready signal output to the system controller
69	GP8	I	Channel status bit 1 input from the digital audio interface receiver
70	VDDI	—	Power supply terminal (+2.5V)
71	VSS	—	Ground terminal
72 to 75	D15 to D12	I/O	Two-way data bus with the S-RAM
76	VDDE	—	Power supply terminal (+3.3V)
77 to 80	D11 to D8	I/O	Two-way data bus with the S-RAM
81	VSS	—	Ground terminal
82 to 85	A9, A12 to A10	O	Address signal output to the S-RAM
86	TDO	O	Simplicity emulation data output terminal (not used)
87	TMS	I	Simplicity emulation data input start and end terminal (not used)
88	XTRST	I	Simplicity emulation non-sync break signal input terminal (not used)
89	TCK	I	Simplicity emulation clock signal input terminal (not used)
90	TDI	I	Simplicity emulation data input terminal (not used)
91	VSS	—	Ground terminal
92 to 97	A8 to A3	O	Address signal output to the S-RAM
98, 99	D7, D6	I/O	Two-way data bus with the S-RAM
100	VDDI	—	Power supply terminal (+2.5V)
101	VSS	—	Ground terminal
102 to 105	D5 to D2	I/O	Two-way data bus with the S-RAM
106	VDDE	—	Power supply terminal (+3.3V)
107, 108	D1, D0	I/O	Two-way data bus with the S-RAM
109, 110	A2, A1	O	Address signal output to the S-RAM
111	VSS	—	Ground terminal
112	A0	O	Address signal output to the S-RAM
113	PM	I	PLL initialize signal input from the system controller
114, 115	SDI3, SDI4	I	Audio serial data input terminal
116	SYNC	I	Sync/non-sync setting terminal “L”: sync, “H”: non-sync (fixed at “H” in this set)
117	TST2	O	Output terminal for the test (connected to ground)
118	GP11	—	Connected to ground
119	TST3	O	Output terminal for the test (connected to ground)
120	VDDI	—	Power supply terminal (+2.5V)

MAIN BOARD IC509 M30622MGP-A14FPU0 (SYSTEM CONTROLLER)

Pin No.	Pin Name	I/O	Description
1	DAMP SCDT/ DIAT_SDATA	O	Digital amp (IC108, 110) data output
2	DAMP SHIFT/ DIAT_SCLK	O	Digital amp (IC108, 110) data output
3	XSCEN	O	Voltage control for amp
4	SIRCS_IN	I	Sircs input
5	DSP_DIN/DIR_DIN	O	DSP /DIR data out
6	DSP_DOUT	I	DSP data in
7	DSP_CLK/DIR_CLK	O	DSP/DIR clock
8	BYTE	I	Connected to ground
9	CNVSS	I	Connected to ground
10	EN_A	I	Volume signal input from ENCODER (A) (not used)
11	EN_B	I	Volume signal input from ENCODER (B) (not used)
12	RESET	I	System reset signal input
13	XOUT	O	Crystal output for main cock
14	VSS	—	Ground terminal
15	XIN	I	Crystal input for main clock
16	VCC	—	Power supply (+3.3V)
17	NMI	I	Connected to +3.3V
18	DIR ZERO	I	DIR zero in
19	DIR_CSFLAG	I	DIR csflag in
20	AC_CUT	I	Detect AC-CUT (primary power off)
21	XRST	O	XRST signal output
22	V-CONTROL	O	Voltage control output (not used)
23	DIAT_CSOD	O	DIAT CSOB signal output (not used)
24	FL_CLK/LED_CLK	O	FL driver (IC803) / LED driver (IC802) clock
25	MAMUTE	O	MREQ signal output to DVD RF (IC102)
26	LED LAT	O	LED driver latch
27	FL_D_OUT/LED_DATA	O	FL driver (IC803) / LED Driver (IC802) data out
28	FL_CS/STB	O	FL driver (IC803) chip select
29	12C_CLK	I	12C clock input (not used)
30	12C_DATA	I	12C data input (not used)
31	DVD SID/TXDI	O	SID data output to DVD RF (IC102)
32	DVD SOD/RXDI	I	SOD data input from DVD RF (IC102)
33	DVD SCO/CLK1	I	Clock signal input from DVD RF (IC102)
34	DVD XIFBUSY/RTS1	O	IFBUSY signal output to DVD RF (IC102)
35	(NO USE)	—	Not used
36	(NO USE)	—	Not used
37	(NO USE)	—	Not used
38	SEL1FS	O	DIR_SELECT/Flash Write RTS1
39	DVD XIFCS	O	DVD RF (IC102) chip select signal
40	P_CONT1	O	IC REG control signal
41	EMP/FL_RESET	O	FL RESET signal to FL driver (IC803)
42	SEN	O	OCSW signal output
43	MTK XRST	O	DVD reset signal
44	P_CONT2	O	IC REG control signal
45	DEVICE	O	Not used
46	CE	O	Flash Write CE (not used)

HCD-FX999W/FX1000W

Pin No.	Pin Name	I/O	Description
47	DRIVE_RST(EN)	O	Driver signal reset
48	DRIVE_OCP(DIAG)	I	Digital amp (power driver) diag
49	OVERFLOW1	I	Over flow status1 of digital amp (IC110)
50	OVERFLOW2	I	Over flow status2 of digital amp (IC108 to 110)
51	DAMP LATCH1	O	Digital amp (IC108) chip select1 signal output
52	DAMP LATCH2	O	Digital amp (IC109) chip select2 signal output
53	DAMP LATCH3	O	Digital amp (IC110) chip select3 signal output
54	DAMP INIT	O	Digital amp (IC108 to 110) reset signal output
55	DAMP SOFT MUTE	O	Digital amp (IC108 to 110) soft muting output
56	HP SW	I	Switch headphone is insert
57	HP MUTE	O	Control of muting headphone signal
58	DSP_ACK	I	DSP acknowledge
59	DSP_GP9	I	DSP GP9 in
60	DSP_XRST	O	DSP reset
61	DSP_HCE	O	DSP chip enable
62	VCC	—	Power supply (+3.3V)
63	DSP_BST	O	DSP bootstrap (for DSP INIT)
64	VSS	—	Ground terminal
65	DSP_PM	O	DSP pll initial
66	DIR_RST	O	DIR reset out
67	DIR HCE	O	DIR chip enable signal output
68	DIR RERR	I	DIR error input
69	DIR XSTATE	I	DIR change clock status
70	DIR HDOUT	I	DIR Data input
71	DSP_SKIP	O	DSP GP12
72	AD_RST	O	ADC reset
73	MODE0	O	MODE signal output
74	KEY INT	I	Wakeup from ECO mode by key input
75	RDS-CLK/MIC-CLK	O	MIC CLK signal output
76	RDS-DATA/MIC-DATA	O	MIC DATA signal output
77	PLL-CLK	O	Tuner clock
78	PLL-DO	O	Tuner data out (uCOM→pack)
79	PLL-CE	O	Tuner chip enable
80	PLL-DI	I	Tuner data in (pack→uCOM)
81	AV SELECT 0	O	Audio/Video select0
82	AV SELECT 1	O	Audio/Video select1
83	AV SELECT 2	O	Audio/Video select2
84	AV SELECT 3	O	Audio/Video select3
85	TUNED	I	Tuner pack tuned in
86	IO_CE	O	I/O expander chip enable / control of loading cd tray (open action)
87	IO_RESET	O	I/O expander reset / control of loading cd tray (close action)
88	IO_DI	I	I/O expander data in / SW2 of CDM
89	IO_DO	O	I/O expander data out / SW3 of CDM
90	IO_CLK	O	I/O expander clock
91	IPOD/MIC SW	I	Not used
92	DESTINATION	I	Destination select
93	MODEL	I	Model select (not used)
94	KEY2	I	Key input 2
95	KEY1	I	Key input 1

Pin No.	Pin Name	I/O	Description
96	VSS	—	Ground
97	KEY0	I	Key input 0
98	VREF	I	Reference Voltage (+3.3V)
99	VCC	I	Power supply (+3.3V)
100	M-ST/WMUTE	O	WMUTE signal output

HCD-FX999W/FX1000W

DMB10 BOARD IC102 CXD9804R

(CD/DVD RF AMP, FOCUS/TRACKING ERR AMP, DVD SYSTEM PROCESSOR, DIGITAL SERVO PROCESSOR)

Pin No.	Pin Name	I/O	Description
1	AGND	—	Terminal Ground
2	DVDA	I	AC coupled input path A
3	DVDB	I	AC coupled input path B
4	DVDC	I	AC coupled input path C
5	DVDD	I	AC coupled input path D
6	DVDRFIP	I	AC coupled DVD RF signal input RFIP
7	DVDRFIN	I	AC coupled DVD RF signal input RFIN (not used)
8	NA	I	DC coupled main-beam RF signal input A
9	NB	I	DC coupled main-beam RF signal input B
10	MC	I	DC coupled main-beam RF signal input C
11	MD	I	DC coupled main-beam RF signal input D
12	SA	I	DC coupled sub-beam RF signal input A (not used)
13	SB	I	DC coupled sub-beam RF signal input B (not used)
14	SC	I	DC coupled sub-beam RF signal input C (not used)
15	SD	I	DC coupled sub-beam RF signal input D (not used)
16	CDFON	I	CD focusing error negative input (not used)
17	CDFOP	I	CD focusing error positive input (not used)
18	TNI	I	3 beam satellite PD signal negative input
19	TPI	I	3 beam satellite PD signal positive input
20	MDI1	I	Laser power PD monitor input
21	MDI2	I	Laser power PD monitor input
22	LDO2	O	Laser drive output
23	LDO1	O	Laser drive output
24	SVDD3	—	Power Supply (+3.3V)
25	CSO	O	Central servo, Positive main beam summing output (not used)
26	RFLVL	O	RFRP low pass, or Positive main beam summing output (not used)
27	SGND	—	Terminal Ground
28	V2REFO	O	Reference voltage 2.8V
29	V2O	O	Reference voltage 2.0V
30	VREFO	O	Reference voltage 1.4V
31	FEO	O	Focus error monitor output (not used)
32	TEO	O	Tracking error monitor output (not used)
33	TEZISLY	O	TE Slicing Level (not used)
34	OPOUT	O	Op amp output (not used)
35	OPINN	I	Op amp negative input (not used)
36	OPINP	I	Op amp positive input (not used)
37	DMO	O	Disk motor control output.PWM output
38	FMO	O	Feed motor control.PWM output
39	TROPENPWM	O	Tray PWM output/Tray open output (not used)
40	IOPMON	I	General PWM input
41	TRO	O	Tracking servo output
42	FOO	O	Focus servo output
43	USBVSS	—	Terminal Ground
44	USBP	I	USB port DPLUS analog pin (not used)
45	USBM	I	USB port DMINUS analog pin (not used)
46	USBVDD3	—	Power Supply (+3.3V)
47	SPFG	I	Moter Hall sensor input

Pin No.	Pin Name	I/O	Description
48	AN0	I	Connected to +3.3V
49	AN1	I	Connected to +3.3V
50	AN2	I	Connected to +3.3V
51	MAMUTE	O	MAMUTE signal output to System Controller (IC509)(not used)
52	DVDD18	—	Power Supply (+1.8V)
53 to 58	IOA 2 to 7	O	Address bus 2 to 7 output to PROM (IC101)
59	HIGHA0	O	Address bus 8 output to PROM (IC101)
60, 61	IOA18, 19	O	Address bus 18, 19 output to PROM (IC101)
62	DVSS	—	Terminal Ground
63	APLLCAP	I	APLL External Capacitance connection
64	APLLVSS	—	Terminal Ground
65	DVDD3	—	Power Supply (+3.3V)
66	I OWR	O	WE signal output to PROM (IC101)
67	A16	O	Address bus 16 output to PROM (IC101)
68 to 72	HIGHA 7 to 3	O	Address bus 15 to 11 output to PROM (IC101)
73	DVDD3	—	Power Supply (+3.3V)
74, 75	HIGHA 2, 1	O	Address bus 10, 9 output to PROM (IC101)
76	IOA20	O	Address bus 20 output to PROM (IC101)
77	IOCS	O	CE signal output to PROM (IC101)
78	IOA1	O	Address bus 1 output to PROM (IC101)
79	IOOE	O	OE signal output to PROM (IC101)
80	DVDD3	—	Power Supply (+3.3V)
81 to 84	AD 0 to 3	I	Data bus 0 to 3 input from PROM (IC101)
85	DVSS	—	Terminal Ground
86 to 88	AD 4 to 6	I	Data bus 4 to 6 input from PROM (IC101)
89	IOA21	O	Address bus 21 output to PROM (IC101)
90	ALE	O	Address latch enable (not used)
91	AD7	I	Data bus 7 input from PROM (IC101)
92	A17	O	Address bus 17 output to PROM (IC101)
93	IOA0	O	Address bus 0 output to PROM (IC101)
94	DVSS	—	Terminal Ground
95	UWA	I	System Controller write strobe (not used)
96	URD	I	System Controller read strobe (not used)
97	DVDD18	—	Power Supply (+1.8V)
98	IFSDO	O	DVD SOD signal output to System Controller (IC509)
99	IFCK	O	DVD SCO signal output to System Controller (IC509)
100	XIFCS	I	DVD XIFCS signal input from System Controller (IC509)
101	IFSDI	I	VIFBUSY signal input from System Controller (IC509)
102	SCL	O	SCL signal output to EEPROM (IC103)
103	SDA	O	SDA signal output to EEPROM (IC103)
104	TRG-SW	O	RS232 RXD signal output (not used)
105	IF-BSY	I	RS232 TXD signal input from System Controller (IC509)
106	RXD	I	RD232 RXD clock
107	TXD	I	RD232 TXD data
108	DVDD3	—	Power Supply (+3.3V)
109	IEC	I	ICE mode enable (not used)
110	PRST	I	MTRST signal input from System Controller (IC509)
111	IR	I	IR control signal input (not used)
112	INT0	I	External interrupt0 (not used)

Pin No.	Pin Name	I/O	Description
113	DQMO	O	DQM0 signal output to SD-RAM (IC104)
114	MREQ	I	MREQ signal input
115	RD7	I	Data bus 7 from SD-RAM (IC104)
116	DVSS	—	Terminal Ground
117, 118	RD 6, 5	I	Data bus 6, 5 from SD-RAM (IC104)
119	DVSS	—	Terminal Ground
120, 121	RD 4, 3	I	Data bus 4, 3 from SD-RAM (IC104)
122	DVDD18	—	Power Supply (+1.8V)
123 to 125	RD 2 to 0	I	Data bus 2 to 0 from SD-RAM (IC104)
126	RD15	I	Data bus 15 from SD-RAM (IC104)
127	DVDD3	—	Power Supply (+3.3V)
128	RD 14	I	Data bus 14 from SD-RAM (IC104)
129 to 133	RD 13 to 9	I	Data bus 13 to 9 from SD-RAM (IC104)
134	DVSS	—	Terminal Ground
135	RD8	I	Data bus 8 from SD-RAM (IC104)
136	GPI0	—	Not Used
137	DQM1	O	DQM1 signal output to SD-RAM (IC104)
138	REW	O	WE signal output to SD-RAM (IC104)
139	CAS	O	CAS signal output to SD-RAM (IC104)
140	RAS	O	RAS signal output to SD-RAM (IC104)
141	DVDD3	—	Power Supply (+3.3V)
142	RCS	O	RCS signal output to SD-RAM (IC206)
143	BAO	O	BAO signal output to SD-RAM (IC206)
144	DVSS	—	Terminal Ground
145	BA1	O	BA1 signal output to SD-RAM (IC104)
146	RA10	O	Address bus 10 output to SD-RAM (IC104)
147	RA0	O	Address bus 0 output to SD-RAM (IC104)
148	DVSS	—	Terminal Ground
149 to 151	RA 1 to 3	O	Address bus 1 to 3 output to SD-RAM (IC104)
152	DVDD18	—	Power Supply (+1.8V)
153	RVREF	I	Reference voltage (not used)
154	RCLKB	I	Dram clock (not used)
155	DVDD3	—	Power Supply (+3.3V)
156	RCLK	O	CLK signal output to SD-RAM (IC104)
157	CLE	O	CLE signal output to SD-RAM (IC104)
158 to 160	RA 11, 9, 8	O	Address bus 11, 9, 8 output to SD-RAM (IC104)
161	DVSS	—	Terminal Ground
162	RA7	O	Address bus 7 output to SD-RAM (IC104)
163	DVSS	—	Terminal Ground
164 to 166	RA 6 to 4	O	Address bus 6 to 4 output to SD-RAM (IC104)
167	DVDD3	—	Power Supply (+3.3V)
168	DISC/X	—	Not Used
169	RGB	—	Not Used
170	XSMRST	O	Reset signal output
171	WODE	O	SI signal output to VIDEO AMP (IC201)
172	NT	—	Not Used
173	DVDD18	—	Power Supply (+1.8V)
174	EUR	—	Not Used
175	DVSS	—	Terminal Ground

Pin No.	Pin Name	I/O	Description
176	LIMSW	O	LIMSW signal output to Optical pick-up
177	OCSW	I	SEN signal input from System Controller (IC509) (not used)
178	VCLK	O	System clock output
179	CKSW	—	Not Used
180	IO3	O	Reset signal output to VIDEO DAC
181	TSDM	O	TSDM signal output to Motor driver (IC201)
182	DVDD3	—	Power Supply (+3.3V)
183	MUTE	O	MUTE signal output to Motor driver (IC201)
184	MUTE123	O	MUTE signal output to Moter driver (IC201)
185	REW	—	Not Used
186	FWD	—	Not Used
187	MSW	O	Volume control signal output to Optical pick-up
188	DSEL	O	Select signal output (not used)
189	DAVCC	—	Power Supply (+3.3V)
190	VREF	I	Bandgap reference voltage (not used)
191	FS	O	Full scale adjustment (connected to ground)
192	YUV0	O	VIDEO digital signal output to PSC (IC503)
193	DVSS	—	Terminal Ground
194	YUV1	O	VIDEO digital signal output to PSC (IC503)
195	DAVDD	—	Power Supply (+3.3V)
196	YUV2	O	VIDEO digital signal output to PSC (IC503)
197	DVSS	—	Terminal Ground
198	YUV3	O	VIDEO digital signal output to PSC (IC503)
199	DAVDD	—	Power Supply (+3.3V)
200	YUV4	O	VIDEO digital signal output to PSC (IC503)
201	DVSS	—	Terminal Ground
202	YUV5	O	VIDEO digital signal output to PSC (IC503)
203	YUV6	O	VIDEO digital signal output to PSC (IC503)
204	DVDD3	—	Power Supply (+3.3V)
205	MIC/VSYNC	O	Active low horizontal sync output
206	VOICE/YUV7	O	VIDEO digital signal output to PSC (IC503)
207	KRMOB/HSYNC	O	Active low horizontal sync output
208	SMSCK	O	SMS Clock output
209	SPDATA/SMSDI	I	Audio data of SPDIF input
210	SMSDO	O	SMS DATA output
211	XSMCS	O	SMS CS output
212	DVDD3	—	Power Supply (+3.3V)
213	ALRCK	O	Audio L/R channel clock
214	ABCK	O	Audio bit clock
215	ACLK	O	Audio DAC master clock
216	DVSS	—	Terminal Ground
217	ASDATA0	O	Audio serial data
218	ASDATA1	O	Audio serial data
219	ASDATA2	O	Audio serial data
220	XRST	O	Reset signal output to VIDEO DAC
221	DVDD18	—	Power Supply (+1.8V)
222	ASDATA4	O	Audio serial data
223	DVSS	—	Terminal Ground
224	DWIDE	—	Not Used

HCD-FX999W/FX1000W

Pin No.	Pin Name	I/O	Description
225	SDPIF	O	SPDIF output
226	RFGND18	—	Terminal Ground
227	RFVDD18	—	Power Supply (+1.8V)
228	ZTALO	O	Oscillator output signal
229	ZTALI	I	Oscillator input signal
230	JITFO	O	RF jitter meter output
231	JITFN	I	Negative input of operation amplifier for RF jigger meter
232	PLLSS	—	Terminal Ground
233	IDAC	—	Not Used
234	PLLVD3	—	Power Supply (+3.3V)
235	LPFON	O	Negative output of loop filter amplifier
236	LPFIP	I	Positive input of loop filter amplifier
237	LPFIN	I	Negative input of loop filter amplifier
238	LPFOP	O	Positive output of loop filter amplifier
239	VDD3	I	Power Supply (+3.3V)
240	VCM	I	SACD-Common mode Reference
241	VSS	—	Terminal Ground
242	VREEP	I	SACD-TOP Reference
243	VREEN	I	SACD-Bottom Reference
244	RFVDD3	—	Power Supply (+3.3V)
245	RFRPDC	I	RFRP signal input
246	RFRPAC	I	RFRP signal input
247	HRFZC	I	High frequency RF ripple zero crossing
248	CRTPLP	O	Defect level filter capacitor connecting
249	RFGND	—	Terminal Ground
250	CEQP	O	EQ offset loop capacitance (not used)
251	CEQN	O	EQ offset loop capacitance (not used)
252	OSP	O	RF offset cancellation capacitor connecting
253	OSN	I	RF offset cancellation capacitor connecting
254	RFGC	O	RF offset loop capacitor connecting for DVD-ROM
255	IREF	I	Current reference input
256	AVDD3	—	Power Supply (+3.3V)

MIB01 BOARD IC503 CXD9837R (PROGRESSIVE SCAN CONVERTER)

Pin No.	Pin Name	I/O	Description
1	OVDD	—	Positive supply voltage (+3.3V) for Pad Ring
2	CLKI	I	System clock input (27MHz)
3	TEST7	I	Test purpose only (must be connected to ground)
4	PLL_EN	I	PLL enable
5 to 14	PI0 to PI9	I	ITU-R BT.656/601 input
15	NHSI	I	Active low horizontal sync input
16	NVSI	I	Active low vertical sync input
17	OVSS	—	Digital ground for Pad Ring
18	THMD	I	Through mode setting terminal (connected to ground)
19	CVSS	—	Digital ground for core
20	NVSO	O	Active low vertical sync output (not used)
21	NHSO	O	Active low horizontal sync output (not used)
22 to 25	PO9 to PO6	O	ITU-R BT.656/601 output
26	OVDD	—	Positive supply voltage (+3.3V) for Pad Ring
27	CVSS	—	Digital ground for core
28 to 33	PO5 to PO0	O	ITU-R BT.656/601 output
34	TEST0	I	Test purpose only (must be connected to ground)
35	OVSS	—	Digital ground for Pad Ring
36	OVDD	—	Positive supply voltage (+3.3V) for Pad Ring
37	CVDD	—	Positive supply voltage (+2.5V) for Pad Ring
38	TEST1	I	Test purpose only (must be connected to ground)
39	TEST2	I	Test purpose only (must be connected to ground)
40	CLKO	O	Clock output (27MHz)
41 to 45	YO9 to YO5	O	ANSI/SMPTE 293M Y output
46	OVDD	—	Positive supply voltage (+3.3V) for Pad Ring
47	OVSS	—	Digital ground for Pad Ring
48 to 52	YO4 to YO0	O	ANSI/SMPTE 293M Y output
53	OVDD	—	Positive supply voltage (+3.3V) for Pad Ring
54	CVSS	—	Digital ground for core
55	OVSS	—	Digital ground for Pad Ring
56 to 60	CO0 to CO4	O	ANSI/SMPTE 293M Cb/Cr output
61	OVDD	—	Positive supply voltage (+3.3V) for Pad Ring
62	OVSS	—	Digital ground for Pad Ring
63 to 67	CO5 to CO9	O	ANSI/SMPTE 293M Cb/Cr output
68	FILM	O	Film sequence detection flag output (not used)
69	RFFI	I	MPEG flag (Repeat First Field) input port (must be connected to ground)
70	OVSS	—	Digital ground for Pad Ring
71	CVDD	—	Positive supply voltage (+2.5V) for Pad Ring
72	IVDD	—	Positive supply voltage (+3.3V) for Pad Ring
73	OVDD	—	Positive supply voltage (+3.3V) for Pad Ring
74 to 77	MD19 to MD16	I/O	Data input/output port for SDRAM (not used)
78	OVDD	—	Positive supply voltage (+3.3V) for Pad Ring
79	OVSS	—	Digital ground for Pad Ring
80	MA3	O	Address output port for SDRAM
81	MA4	O	Address output port for SDRAM
82	MA2	O	Address output port for SDRAM
83	MA5	O	Address output port for SDRAM
84	OVDD	—	Positive supply voltage (+3.3V) for Pad Ring

Pin No.	Pin Name	I/O	Description
85	OVSS	—	Digital ground for Pad Ring
86	MA1	O	Address output port for SDRAM
87	MA6	O	Address output port for SDRAM
88	MA0	O	Address output port for SDRAM
89	MA7	O	Address output port for SDRAM
90	OVSS	—	Digital ground for Pad Ring
91	IVSS	—	Digital ground for Pad Ring
92	CVSS	—	Digital ground for core
93	OVDD	—	Positive supply voltage (+3.3V) for Pad Ring
94	MA10	O	Address output port for SDRAM
95	MA8	O	Address output port for SDRAM
96	MA11	O	Address output port for SDRAM
97	MA9	O	Address output port for SDRAM
98	OVDD	—	Positive supply voltage (+3.3V) for Pad Ring
99	OVSS	—	Digital ground for Pad Ring
100	RAS	O	Row Address Strobe command output port for SDRAM
101	DQM	O	DQM output port for SDRAM
102	CAS	O	Column Address Strobe command output port for SDRAM
103	MCLK	O	Clock output port for SDRAM (54MHz)
104	WE	O	Write Enable output port for SDRAM
105	TEST3	I	Test purpose only (must be connected to ground)
106	TEST4	I	Test purpose only (must be connected to ground)
107	OVSS	—	Digital ground for Pad Ring
108	OVDD	—	Positive supply voltage (+3.3V) for Pad Ring
109	CVDD	—	Positive supply voltage (+2.5V) for core
110	MD7	I/O	Data input/output port for SDRAM
111	MD8	I/O	Data input/output port for SDRAM
112	MD6	I/O	Data input/output port for SDRAM
113	MD9	I/O	Data input/output port for SDRAM
114	OVDD	—	Positive supply voltage (+3.3V) for Pad Ring
115	OVSS	—	Digital ground for Pad Ring
116	MD5	I/O	Data input/output port for SDRAM
117	MD10	I/O	Data input/output port for SDRAM
118	MD4	I/O	Data input/output port for SDRAM
119	MD11	I/O	Data input/output port for SDRAM
120	OVDD	—	Positive supply voltage (+3.3V) for Pad Ring
121	OVSS	—	Digital ground for Pad Ring
122	MD3	I/O	Data input/output port for SDRAM
123	MD12	I/O	Data input/output port for SDRAM
124	MD2	I/O	Data input/output port for SDRAM
125	MD13	I/O	Data input/output port for SDRAM
126	OVSS	—	Digital ground for Pad Ring
127	CVSS	—	Digital ground for core
128	OVDD	—	Positive supply voltage (+3.3V) for Pad Ring
129	MD1	I/O	Data input/output port for SDRAM
130	MD14	I/O	Data input/output port for SDRAM
131	MD0	I/O	Data input/output port for SDRAM
132	MD15	I/O	Data input/output port for SDRAM
133	SLV	I	Slave address selection input for I ² C (connected to +3.3V)

Pin No.	Pin Name	I/O	Description
134	RFFO	O	MPEG flag output port (not used)
135	SDA	I/O	Data input/output of MPU interface
136	SCL	I	Clock input of MPU interface
137	SRN	I	System reset input (negative)
138	OVSS	—	Digital ground for Pad Ring
139	CVDD	—	Positive supply voltage (+2.5V) for core
140	PLL_VDD	—	Positive supply voltage (+2.5V) for PLL
141	VPDX	I	Must be connected to ground
142	TEST6	I	Test purpose only (must be connected to ground)
143	PLL_GND	—	Ground for PLL
144	IVDD	—	Positive supply voltage (+3.3V) for Pad Ring

MIB01 BOARD IC507 CXD9836R (PIXEL RESOLUTION CONVERTER)

Pin No.	Pin Name	I/O	Description
1	VSS	—	Digital ground
2	XTCK1	I	Test purpose only (must be connected to ground)
3	XSM	I	Test purpose only (must be connected to +3.3V)
4	XTST	I	Test purpose only (must be connected to +3.3V)
5	MST	I	Test purpose only (must be connected to ground)
6	SMCK	I	Test purpose only (must be connected to +3.3V)
7 to 9	DC9 to DC7	I	Chroma data input
10	VDDI	—	Digital positive supply voltage (+2.5V) for Pad Ring
11	VSS	—	Digital ground
12 to 15	DC6 to DC3	I	Chroma data input
16	VDDE	—	Digital positive supply voltage (+3.3V) for Pad Ring
17 to 19	DC2 to DC0	I	Chroma data input
20	DY0	I	Luma data input
21	VSS	—	Digital ground
22 to 30	DY1 to DY9	I	Luma data input
31	VSS	—	Digital ground
32 to 39	DI0 to DI7	I	Through data input
40	VDDI	—	Digital positive supply voltage (+2.5V) for core
41	VSS	—	Digital ground
42,43	DI8,DI9	I	Through data input
44	DH	I	Horizontal sync input (must be connected to ground)
45	DV	I	Vertical sync input (must be connected to ground)
46	VDDE	—	Digital positive supply voltage (+3.3V) for Pad Ring
47	F1	I	Field flag control signal input (must be connected to ground)
48	ALSB	I	Slave address selection input (must be connected to ground)
49	SDA	I/O	Data input/output of IC interface
50	SCL	I	Clock input of IC interface
51	VSS	—	Digital ground
52	NRST	I	System reset input
53	TEST0	I	Test purpose only (must be connected to ground)
54	TEST1	I	Test purpose only (must be connected to ground)
55	TEST2	I	Test purpose only (must be connected to ground)
56	TEST3	I	Test purpose only (must be connected to ground)
57,58	QB0,QB1	O	B data output (not used)
59	OVDDE1	—	Digital positive supply voltage (+3.3V) for Pad Ring
60	VDDI	—	Digital positive supply voltage (+2.5V) for Pad Ring
61	VSS	—	Digital ground
62 to 69	QB2 to QB9	O	B data output
70	VDDI	—	Digital positive supply voltage (+2.5V) for core
71	VSS	—	Digital ground
72,73	QG0,QG1	O	G data output (not used)
74,75	QG2,QG3	O	G data output
76	VDDE	—	Digital positive supply voltage (+3.3V) for Pad Ring
77 to 80	QG4 to QG7	O	G data output
81	VSS	—	Digital ground
82, 83	QG8,QG9	O	G data output
84, 85	QR0,QR1	O	R data output (not used)
86 to 90	QR2 to QR6	O	R data output

Pin No.	Pin Name	I/O	Description
91	VSS	—	Digital ground
92	OVDDE2	—	Digital positive supply voltage (+3.3V) for Pad Ring
93 to 95	QR7 to QR9	O	R data output
96	QV	O	Vertical sync output
97	QH	O	Horizontal sync output
98	QDE	O	Data enable output
99	QCLK	O	Pixel clock output
100	VDDI	—	Digital positive supply voltage (+2.5V) for Pad Ring
101	VSS	—	Digital ground
102	EXCLK	I	Pixel clock input for external PLL mode (must be connected to ground)
103	OVDDE3	—	Digital positive supply voltage (+3.3V) for Pad Ring
104	PH1	O	Phase compare signal-1 for external PLL (not used)
105	N.C	—	Not used
106	AVS1	—	Analog ground for PLL (must be connected to ground)
107	AVD1	—	Digital positive supply voltage (+3.3V) for PLL
108	CPO	O	Charge pump output for internal PLL
109	N.C	—	Not used
110	VCI	I	VCO input for internal PLL
111	AVS2	—	Analog ground for PLL
112	AVD2	—	Digital positive supply voltage (+3.3V) for PLL
113	N.C	—	Not used
114	PH2	O	Phase compare signal-2 for external PLL (not used)
115	PLLEN	I	PLL mode select signal input (internal mode or external mode)
116	OVDDE4	—	Digital positive supply voltage (+3.3V) for Pad Ring
117	DCLK	I	System clock input (27MHz)
118	OVSS1	—	Digital ground
119	DCLKP	I	DCLK polarity control signal input (must be connected to ground)
120	VDDI	—	Digital positive supply voltage (+2.5V) for Pad Ring

SECTION 8 EXPLODED VIEWS

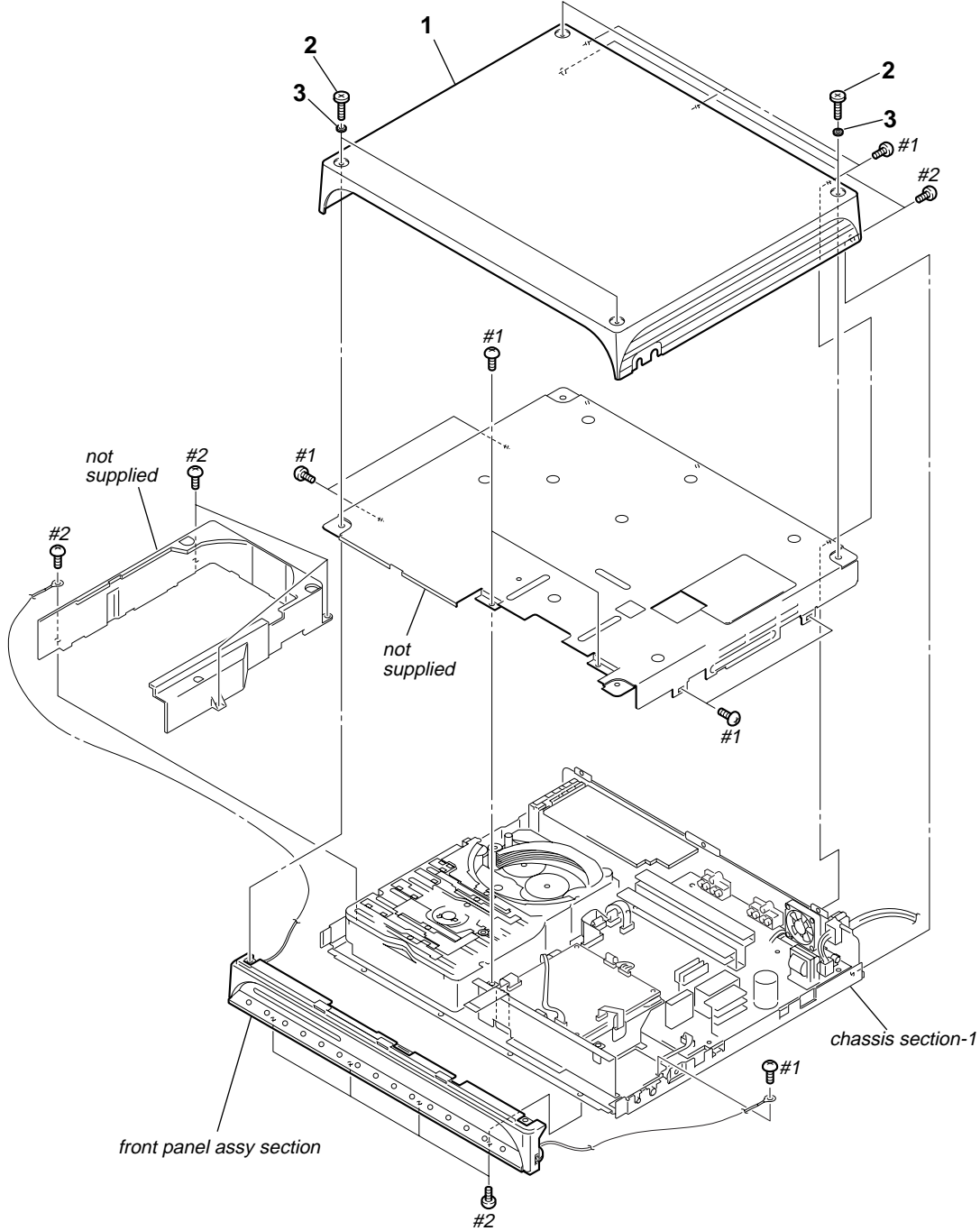
NOTE:

- -XX and -X mean standardized parts, so they may have some difference from the original one.
- Items marked “*” are not stocked since they are seldom required for routine service. Some delay should be anticipated when ordering these items.
- The mechanical parts with no reference number in the exploded views are not supplied.

- Abbreviation
 AUS : Australian model
 E3 : 240V AC area in E model
 E13 : 220-230V AC area in E model
 E32 : 110-240V AC area in E model
 MX : Mexican model
 SP : Singapore model
 TW : Taiwan model

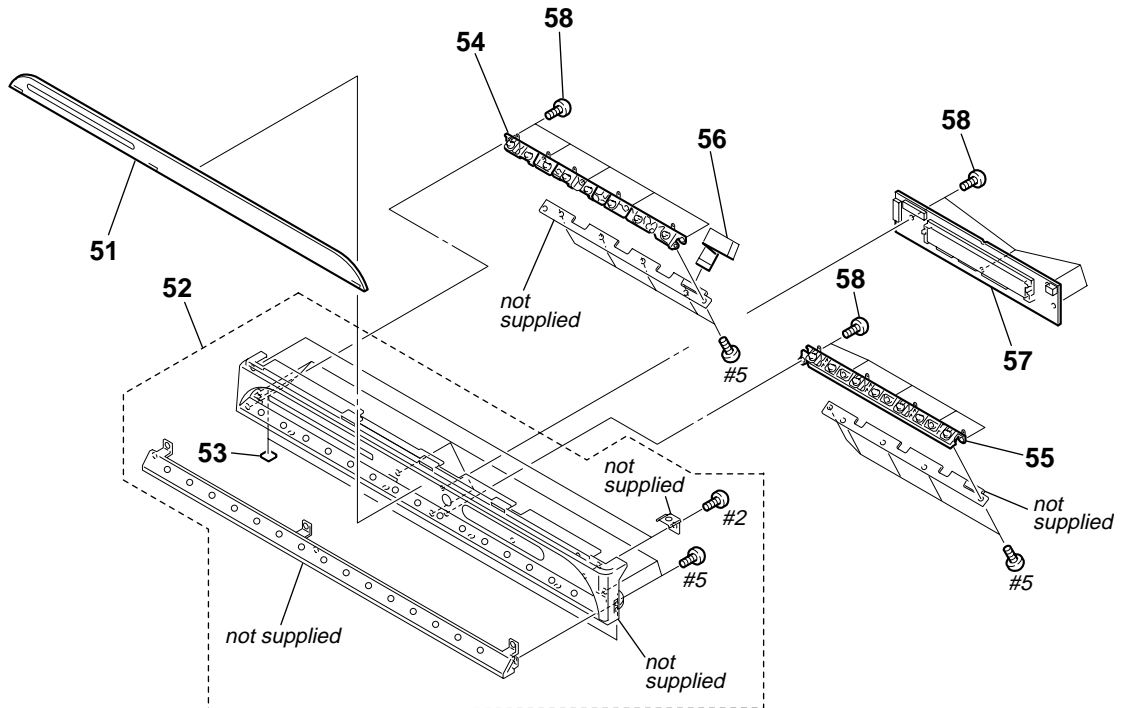
The components identified by mark \triangle or dotted line with mark \triangle are critical for safety. Replace only with part number specified.

8-1. OVERALL SECTION



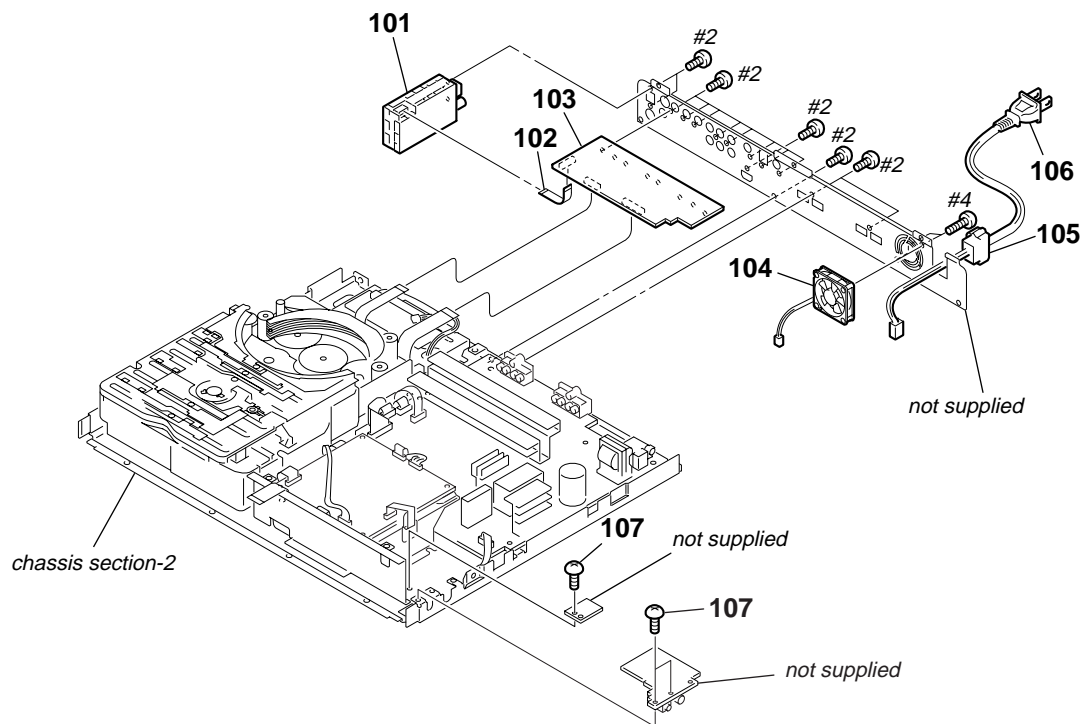
Ref. No.	Part No.	Description	Remark	Ref. No.	Part No.	Description	Remark
1	X-2055-098-1	TOP PANEL SUB ASSY (FX999W:E3, E13, SP, TW, AUS)		2	4-227-843-11	SCREW (TP), FLAT HEAD	
1	X-2055-152-1	TOP PANEL SUB ASSY (FX999W:MX, E32)		3	2-585-409-01	CAP (SCREW)	
1	X-2067-023-1	TOP PANEL SUB ASSY (FX1000W)		#1	7-685-645-79	SCREW +BVTP 3X6 TYPE2 IT-3	
				#2	7-685-646-79	SCREW +BVTP 3X8 TYPE2 IT-3	

8-2. FRONT PANEL ASSY SECTION



Ref. No.	Part No.	Description	Remark	Ref. No.	Part No.	Description	Remark
51	2-585-417-51	WINDOW (FL)		55	X-2050-544-1	PLAY BUTTON SUB ASSY	
52	X-2055-335-1	FRONT PANEL ASSY (EXCEPT FX999W:TW, AUS/FX1000W)		56	1-828-336-11	WIRE (FLAT TYPE) (15 CORE)	
52	X-2067-024-1	FRONT PANEL ASSY (FX999W:TW, AUS/FX1000W)		57	A-1104-753-A	FL BOARD, COMPLETE	
53	4-232-478-31	FOOT		58	4-931-757-31	SCREW (DIA.2.6X8) (IT3B), TAPPING	
54	X-2050-545-1	DISC BUTTON SUB ASSY		#2	7-685-646-79	SCREW +BVTP 3X8 TYPE2 IT-3	
				#5	7-685-133-19	SCREW (DIA. 2.6) (IT3B)	

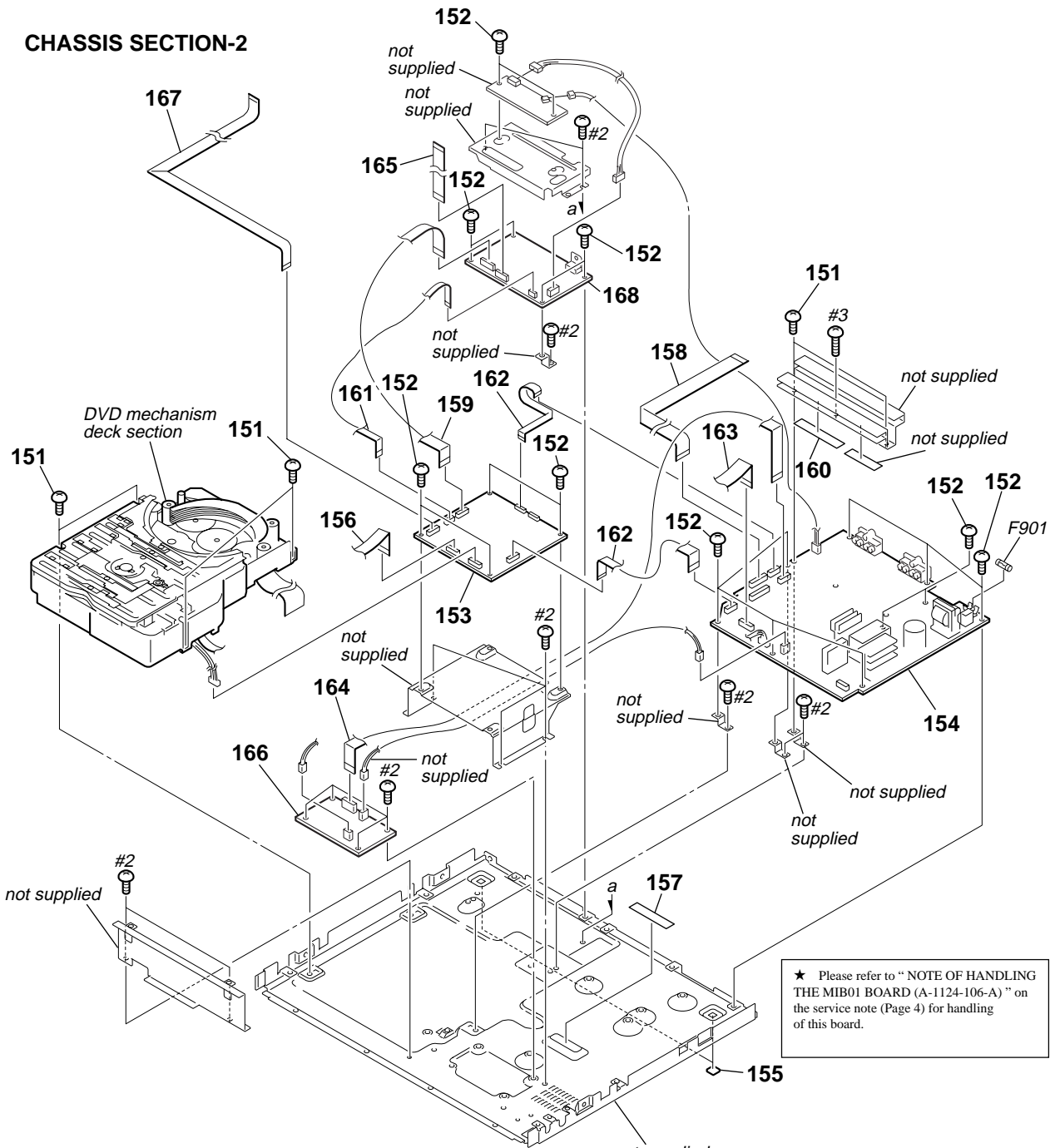
8-3. CHASSIS SECTION-1



Ref. No.	Part No.	Description	Remark	Ref. No.	Part No.	Description	Remark
101	A-1074-641-A	TUNER UNIT (DTP-005 SP) (EXCEPT FX999W:E13/FX1000W)		△ 106	1-696-847-22	CORD, POWER (FX999W:AUS)	
101	A-1074-643-A	TUNER UNIT (DTP-005 KR) (FX999W:E13/FX1000W)		△ 106	1-824-090-11	CORD, POWER (FX999W:MX)	
102	1-828-952-11	WIRE (FLAT TYPE) (9 CORE)		△ 106	1-827-597-61	CORD, POWER (FX999W:TW)	
103	A-1111-264-A	I/O BOARD, COMPLETE (FX999W)		△ 106	1-828-528-11	CORD, POWER (FX999W:E3,E13,E32,SP)	
103	A-1111-317-A	I/O BOARD, COMPLETE (FX1000W)		107	1-828-529-21	CORD, POWER (FX1000W)	
104	1-787-331-11	FAN, D.C.		107	3-077-331-21	+BV3 (3-CR)	
105	4-217-350-11	STOPPER, CORD		#2	7-685-646-79	SCREW +BVTP 3X8 TYPE2 IT-3	
				#4	7-685-881-09	SCREW +BVTT 4X8 (S)	

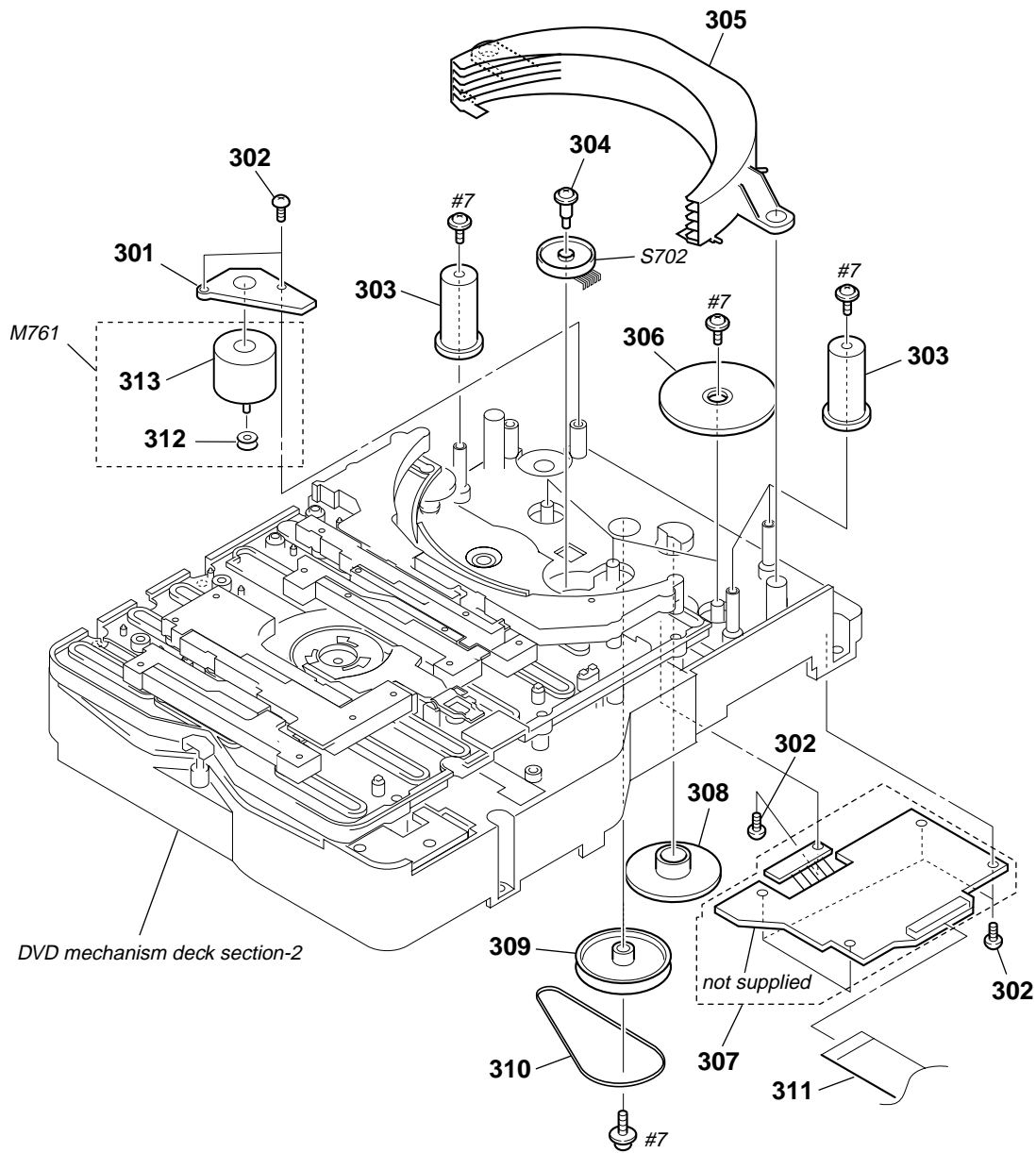
☆ New part of EEPROM (IC103) on the DMB10 board cannot be used. Therefore, if the mounted DMB10 board (A-1111-270-A, etc.) is replaced, exchange new EEPROM (IC103) with that used before the replacement.

8-4. CHASSIS SECTION-2



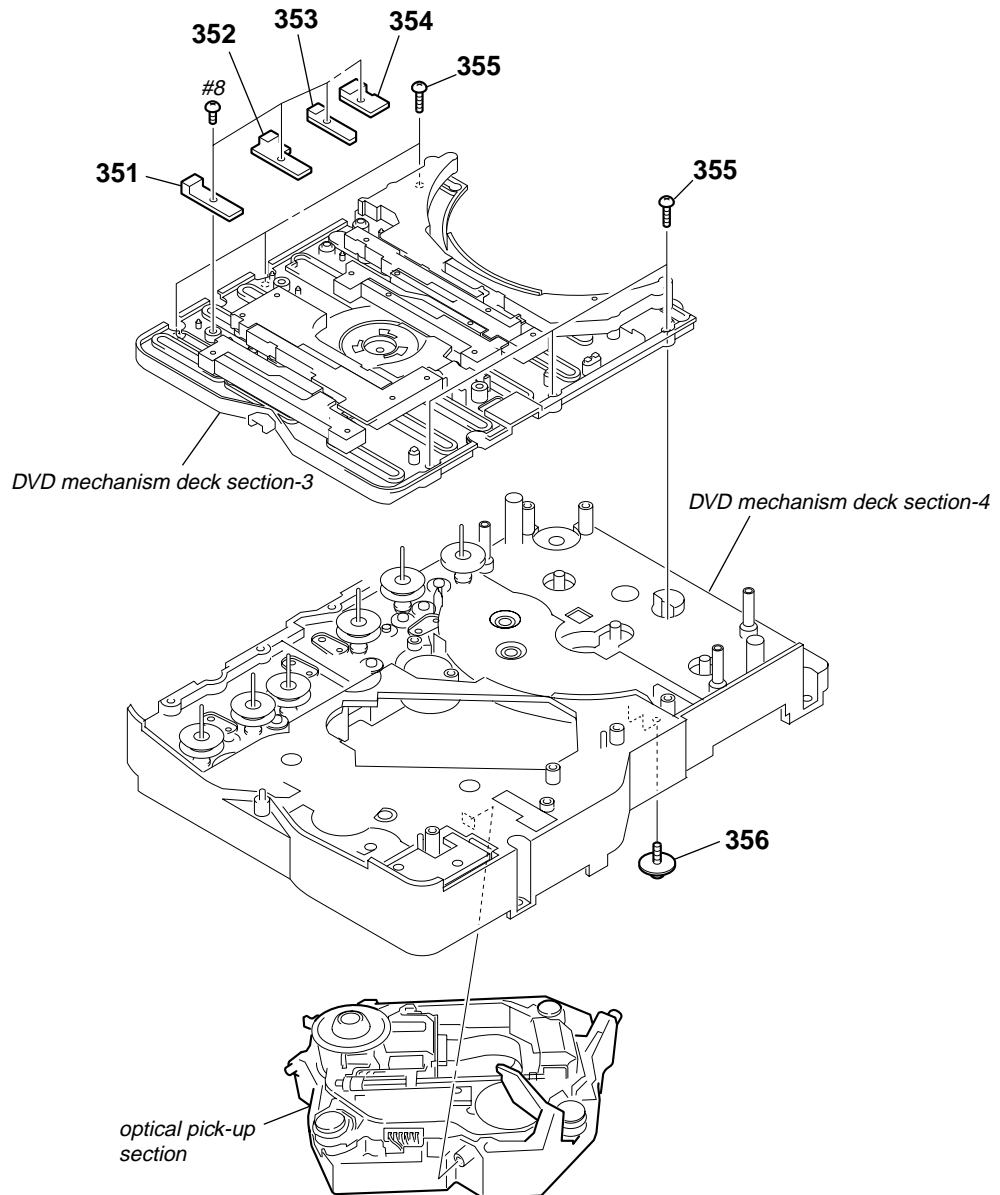
Ref. No.	Part No.	Description	Remark	Ref. No.	Part No.	Description	Remark
151	3-077-331-01	+BV3 (3-CR)		158	1-828-382-11	WIRE (FLAT TYPE) (23 CORE)	
152	3-077-331-21	+BV3 (3-CR)		159	1-830-690-51	WIRE (FLAT TYPE) (28 CORE) (FX1000W)	
☆ 153	A-1111-270-A	DMB10 BOARD, COMPLETE (FX999W:E3, E13, AUS)		160	4-254-947-01	SHEET (AMP), RADIATION	
☆ 153	A-1111-322-A	DMB10 BOARD, COMPLETE (FX1000W)		161	1-830-691-51	WIRE (FLAT TYPE) (12 CORE) (FX1000W)	
☆ 153	A-1114-658-A	DMB10 BOARD, COMPLETE (FX999W:SP)		162	1-830-576-11	WIRE (FLAT TYPE) (11CORE)	
☆ 153	A-1114-820-A	DMB10 BOARD, COMPLETE (FX999W:MX, E32)		163	1-828-361-11	WIRE (FLAT TYPE) (19 CORE)	
☆ 153	A-1118-292-A	DMB10 BOARD, COMPLETE (FX999W:TW)		164	1-830-461-11	WIRE (FLAT TYPE) (11 CORE)	
154	A-1111-256-A	MAIN BOARD, COMPLETE (FX999W:E3)		165	1-830-761-11	WIRE (FLAT TYPE) (13 CORE) (FX1000W)	
154	A-1111-308-A	MAIN BOARD, COMPLETE (FX1000W)		166	A-1111-100-A	TX BOARD, COMPLETE	
154	A-1114-652-A	MAIN BOARD, COMPLETE (FX999W:SP)		167	1-830-543-11	WIRE (FLAT TYPE) (13 CORE) (FX999W)	
154	A-1114-777-A	MAIN BOARD, COMPLETE (FX999W:MX)		★ 168	A-1124-106-A	MIB01 BOARD, COMPLETE (FX1000W)	
154	A-1114-818-A	MAIN BOARD, COMPLETE (FX999W:E32)		△ F901	1-532-506-33	FUSE (T6.3AL/250V) (FX999W:E3, E13, SP, AUS/FX1000W)	
154	A-1114-840-A	MAIN BOARD, COMPLETE (FX999W:AUS)		△ F901	1-532-749-11	FUSE, GLASS TUBE (T8AL/125V) (FX999W:MX, TW)	
154	A-1118-285-A	MAIN BOARD, COMPLETE (FX999W:TW)		△ F901	1-533-949-33	FUSE, CYLINDRICAL (TIME LUG) (T8AL/250V) (FX999W:E32)	
154	A-1128-235-A	MAIN BOARD, COMPLETE (FX999W:E13)		#2	7-685-646-79	SCREW +BVTP 3X8 TYPE2 IT-3	
155	4-232-478-31	FOOT		#3	7-685-649-79	SCREW +BVTP 3X14 TYPE2 IT-3	
156	1-830-689-51	WIRE (FLAT TYPE) (24 CORE)					
157	4-254-954-01	SHEET (DMB), RADIATION					

8-5. DVD MECHANISM DECK SECTION-1 (CDM69EH-DVBU101)



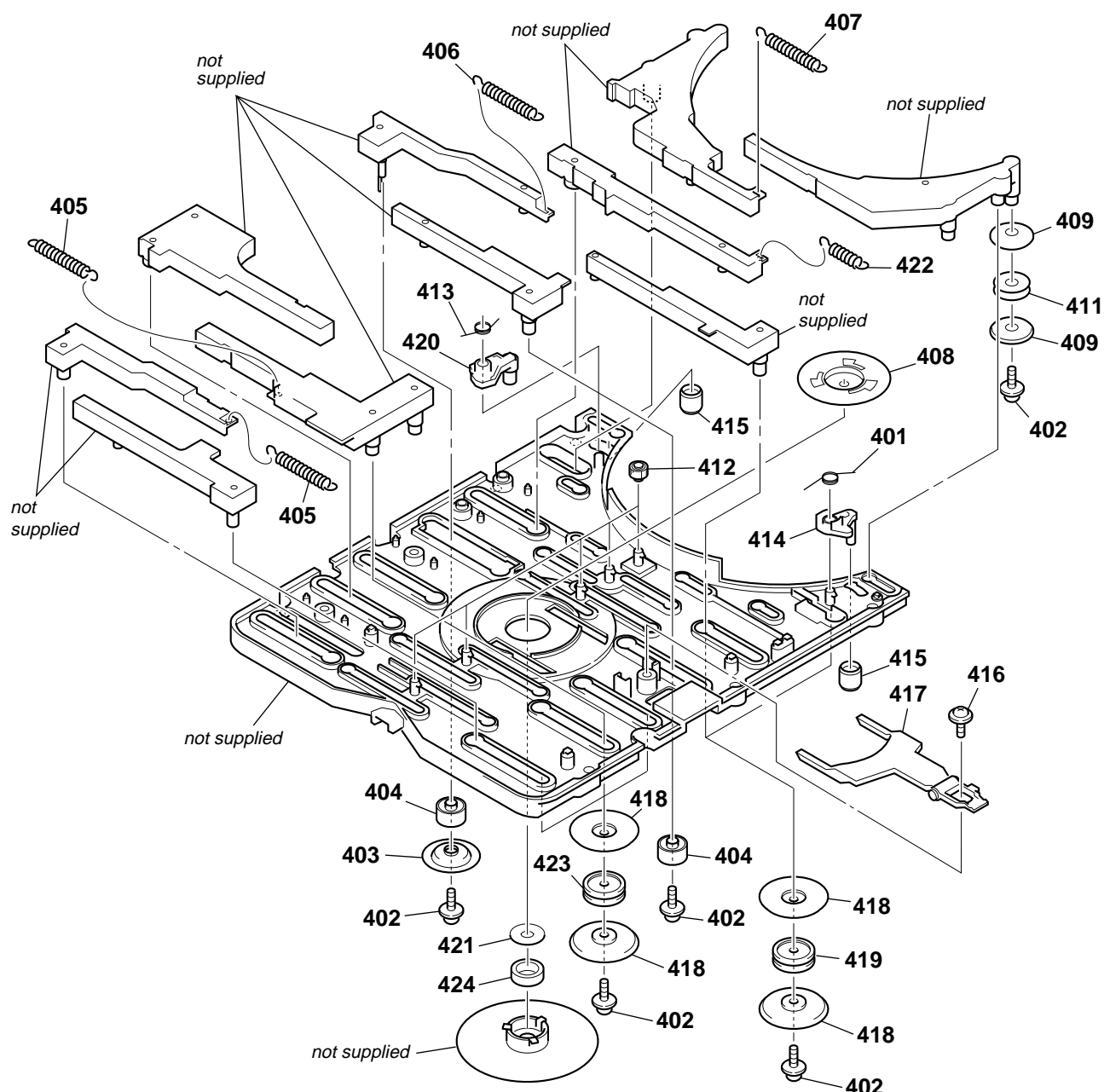
Ref. No.	Part No.	Description	Remark	Ref. No.	Part No.	Description	Remark
301	1-686-725-13	STOCKER MOTOR BOARD		309	4-239-699-01	PULLEY	
302	3-087-053-01	+BVTP2.6 (3CR)		310	4-211-237-01	BELT (MODE)	
303	4-239-690-01	CAM (STOCKER U/D)		311	1-828-399-11	WIRE (FLAT TYPE) (27 CORE)	
304	4-239-618-02	SCREW (+PWH,2X6), STEP TAPPING		312	4-986-156-01	PULLEY, MOTOR	
305	4-239-676-01	STOCKER		313	1-763-967-11	MOTOR, DC	
306	4-239-687-01	GEAR (STOCKER COMMUNICATION)		M761	A-4735-953-A	MOTOR (STOCKER) ASSY (STOCKER)	
307	A-4731-113-A	RELAY BOARD, COMPLETE (including ST ENCODER BOARD)		S702	1-477-299-11	ENCODER, ROTARY (STOCKER POSITION)	
308	4-239-689-01	GEAR (STOCKER DECELERATION)		#7	7-685-902-21	SCREW +PTPWH 2.6X8 (TYPE2)	

8-6. DVD MECHANISM DECK SECTION-2 (CDM69EH-DVBU101)



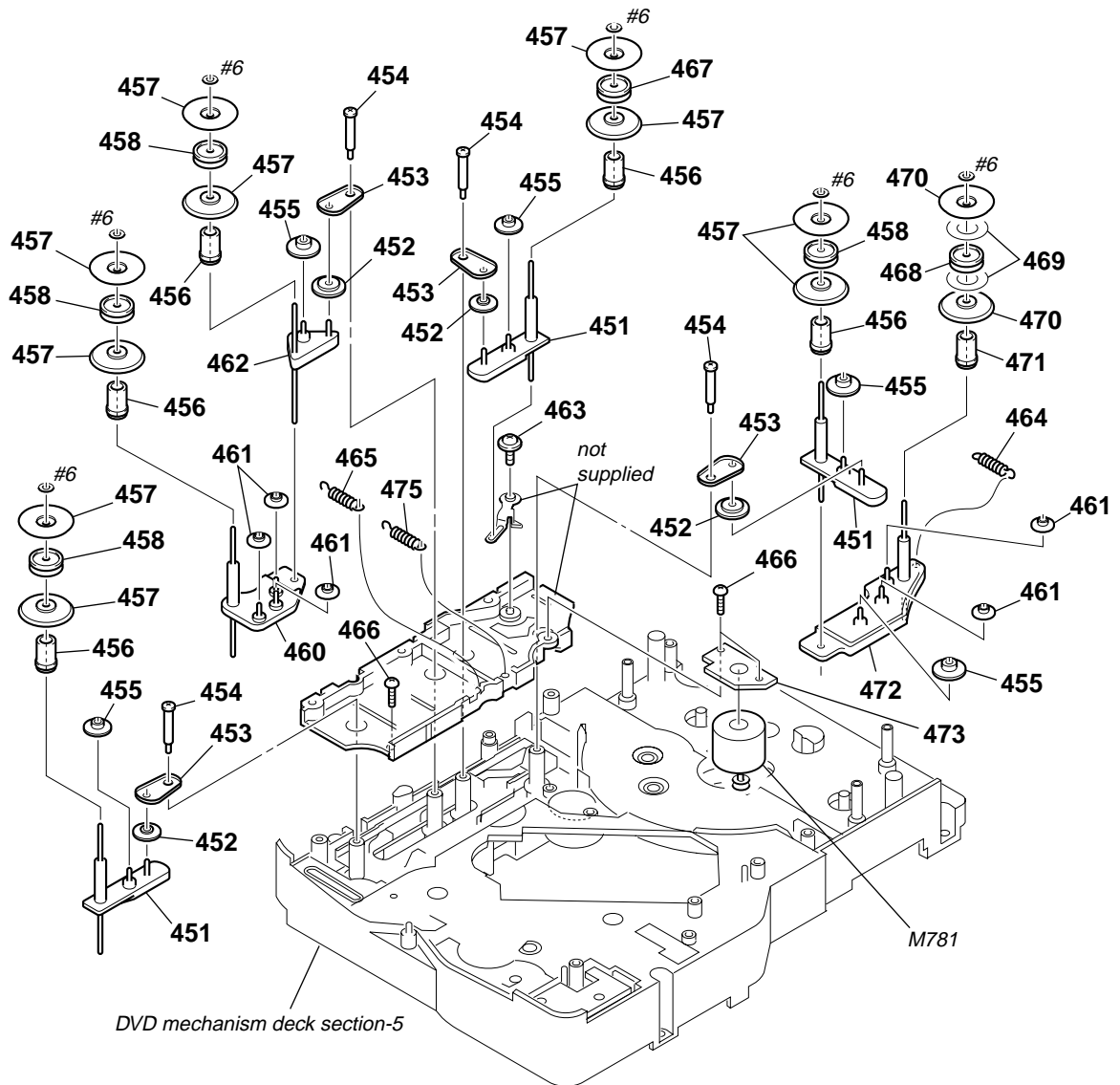
<u>Ref. No.</u>	<u>Part No.</u>	<u>Description</u>	<u>Remark</u>	<u>Ref. No.</u>	<u>Part No.</u>	<u>Description</u>	<u>Remark</u>
351	1-686-727-13	SW (1) BOARD		355	3-087-053-01	+BVTP2.6 (3CR)	
352	1-686-728-13	SW (2) BOARD		356	4-985-672-01	SCREW (+PTPWH M2.6), FLOATING	
353	1-686-729-13	SW (3) BOARD		#8	7-685-533-14	SCREW +BTP 2.6X6 TYPE2 N-S	
354	1-686-730-13	SW (4) BOARD					

8-7. DVD MECHANISM DECK SECTION-3 (CDM69EH-DVBU101)



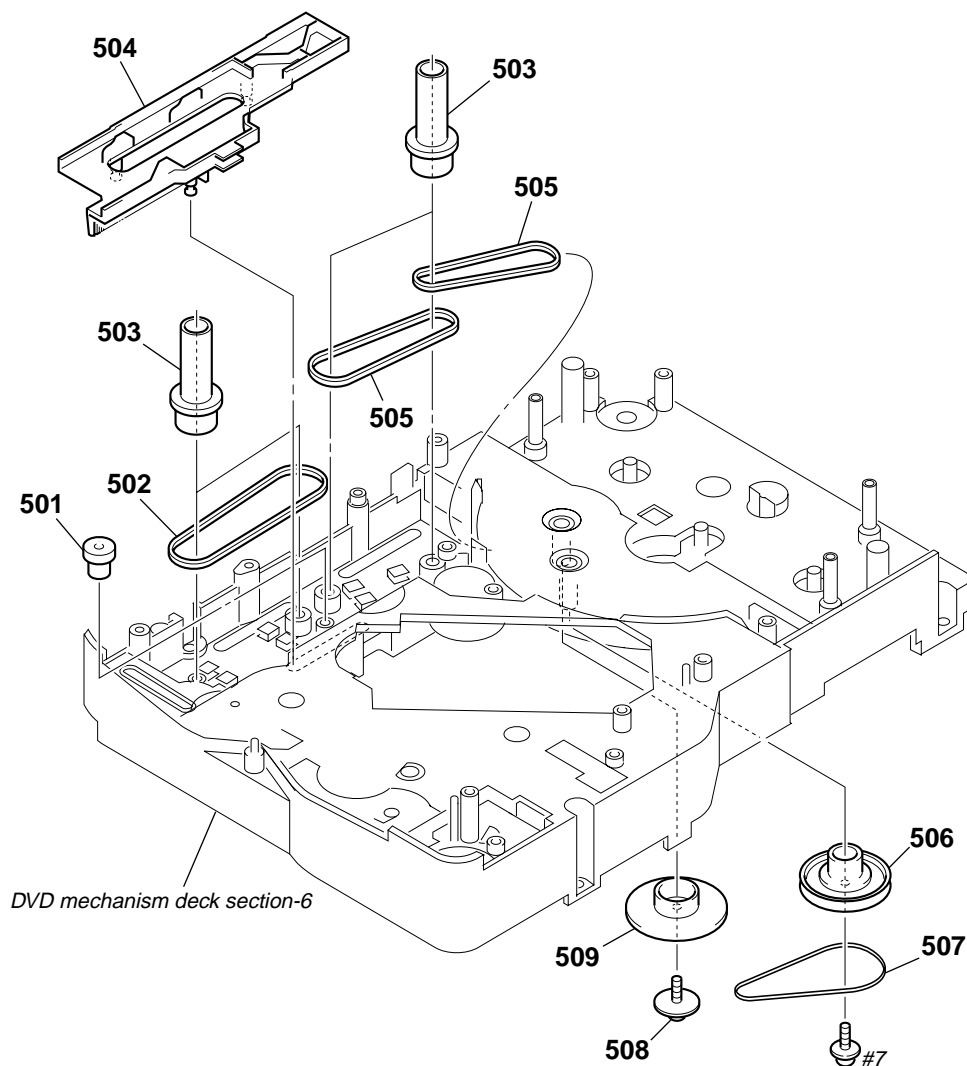
Ref. No.	Part No.	Description	Remark	Ref. No.	Part No.	Description	Remark
401	4-240-040-01	SPRING (DISC STOPPER), TORSION		414	4-240-039-01	LEVER (DISC STOPPER)	
402	4-992-069-01	SCREW (+PTPWH) (M2) (DIA. 7)		415	4-239-702-01	ROLLER (DISC STOPPER)	
403	4-239-648-01	PARASOL (ROLLER)		416	4-985-672-01	SCREW (+PTPWH M2.6), FLOATING	
404	4-239-646-01	ROLLER (ROLLER)					
405	4-239-641-01	SPRING (1,2), TENSION		417	4-243-713-01	LEVER (LIFTER)	
406	4-239-642-01	SPRING (3), TENSION COIL		418	4-239-647-01	PARASOL (MAIN)	
407	4-239-679-01	SPRING (5), TENSION COIL		419	4-243-916-01	ROLLER (S), RUBBER	
408	2-345-860-01	PULLEY A (310), CHUCKING		420	4-241-599-01	LEVER (SUPPORT)	
409	4-239-649-01	PARASOL (STOCKER)		421	4-243-703-02	YOKE (213)	
411	4-244-035-01	ROLLER (STOCKER), RUBBER		422	4-239-643-01	SPRING (4), TENSION COIL	
412	4-239-640-02	PINION (SLIDER)		423	4-244-032-01	ROLLER, RUBBER	
413	4-243-291-01	SPRING, TORSION		424	1-471-244-11	MAGNET	

8-8. DVD MECHANISM DECK SECTION-4 (CDM69EH-DVBU101)



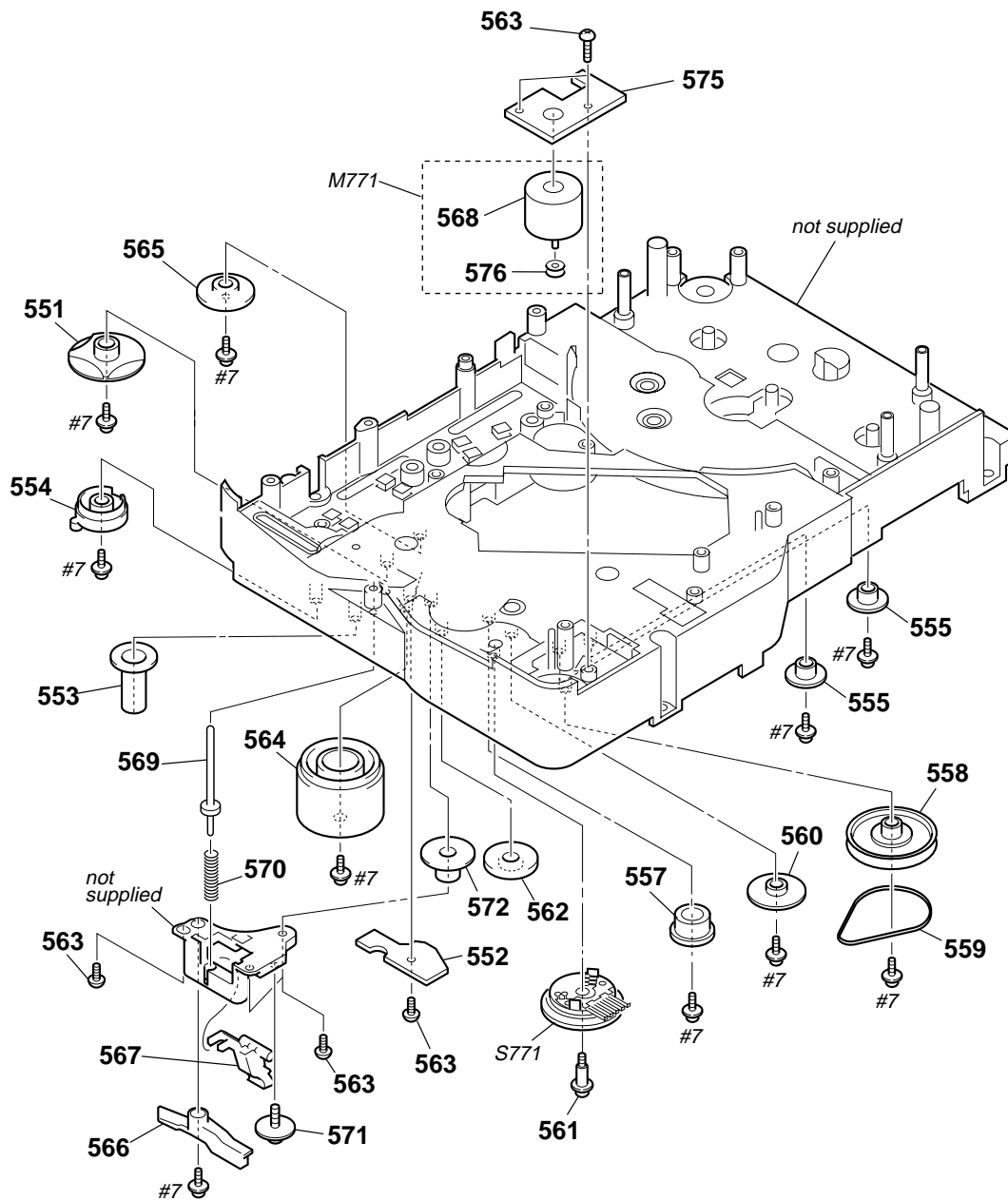
Ref. No.	Part No.	Description	Remark	Ref. No.	Part No.	Description	Remark
451	X-4954-626-1	LEVER (ROLLER) ASSY		465	4-240-041-01	SPRING (SLIDER 2), TENSION	
452	4-239-666-01	GEAR		466	3-087-053-01	+BVTP2.6 (3CR)	
453	4-239-668-01	LEVER (CENTER)		467	4-243-916-01	ROLLER (S), RUBBER	
454	4-239-652-02	SCREW (ROLLER), STEP		468	4-244-035-01	ROLLER (STOCKER), RUBBER	
455	4-239-669-01	GEAR (ROLLER COMMUNICATION)		469	4-241-209-01	SHEET, ADHESIVE	
456	4-239-667-01	GEAR (ROLLER CENTER)		470	4-239-649-01	PARASOL (STOCKER)	
457	4-239-647-01	PARASOL (MAIN)		471	4-239-671-01	GEAR (ROLLER 5 CENTER)	
458	4-244-032-01	ROLLER, RUBBER		472	X-4954-627-1	BASE (SLIDER 5) ASSY	
460	X-4954-622-1	BASE (SLIDER 2) ASSY		473	1-686-726-13	ROLLER MOTOR BOARD	
461	4-239-670-01	GEAR (ROLLER 5 COMMUNICATION)		475	4-244-162-01	SPRING (SLIDER 4), TENSION	
462	X-4954-624-1	LEVER (SLIDER 4) ASSY		M781	A-4735-953-A	MOTOR (STOCKER) ASSY (ROLLER)	
463	4-992-069-01	SCREW (+PTPWH) (M2) (DIA. 7)		#6	7-623-921-01	RING, RETAINING, CAPSTAN	
464	4-240-981-01	SPRING (BASE SLIDER 5), TENSION					

8-9. DVD MECHANISM DECK SECTION-5 (CDM69EH-DVBU101)



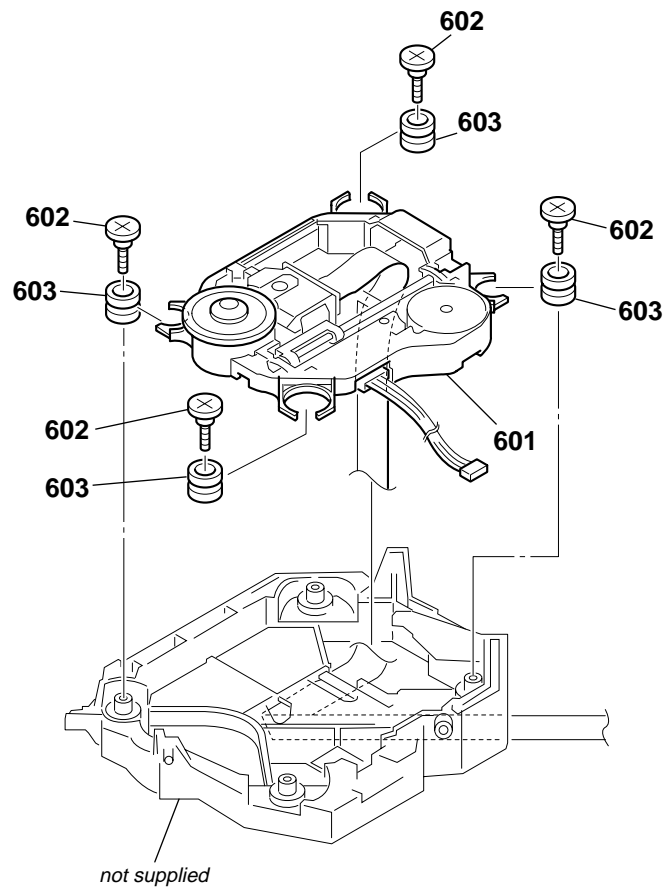
Ref. No.	Part No.	Description	Remark	Ref. No.	Part No.	Description	Remark
501	4-240-020-01	GEAR (TIMING)		506	4-239-699-01	PULLEY	
502	4-239-708-02	BELT (FRONT), TIMING		507	4-247-349-02	BELT (ROLLER V)	
503	4-239-697-01	GEAR (CENTER)		508	4-227-899-31	SCREW (DIA. 12), FROATING	
504	X-4955-157-1	SLIDER (MODE CAM V) ASSY		509	4-239-686-01	GEAR (ROLLER DECELERATION)	
505	4-239-706-02	BELT (REAR), TIMING		#7	7-685-902-21	SCREW +PTPWH 2.6X8 (TYPE2)	

8-10. DVD MECHANISM DECK SECTION-6 (CDM69EH-DVBU101)



Ref. No.	Part No.	Description	Remark	Ref. No.	Part No.	Description	Remark
551	4-239-693-02	CAM (GEAR)		565	4-239-694-01	GEAR (MODE CAM)	
552	1-686-723-13	SENSOR BOARD		566	4-241-731-01	SHUTTER (A), LEVER	
553	4-239-696-01	GEAR (EJECT LOCK)		567	4-241-732-01	SHUTTER (B), LEVER	
554	4-239-695-02	CAM (EJECT LOCK)		568	1-763-967-11	MOTOR, DC	
555	4-240-019-01	GEAR (MODE 5)		569	4-241-734-01	SHAFT (SHUTTER)	
557	4-243-682-01	GEAR (MODE C)		570	4-241-735-01	SPRING (SHUTTER), COMPRESSION	
558	4-239-683-01	PULLEY (MODE DECELERATION)		571	4-985-672-01	SCREW (+PTPWH M2.6), FLOATING	
559	4-243-702-01	BELT (MODE V)		572	4-243-680-01	GEAR (MODE A)	
560	4-243-683-01	GEAR (MODE D)		575	1-686-724-13	MODE MOTOR BOARD	
561	4-239-618-02	SCREW (+PWH, 2X6), STEP TAPPING		576	4-986-156-01	PULLEY, MOTOR	
562	4-243-681-01	GEAR (MODE B)		M771	A-4735-953-A	MOTOR (STOCKER) ASSY (MODE)	
563	3-087-053-01	+BVTP2.6 (3CR)		S771	1-477-300-11	ENCODER, ROTARY (MODE)	
564	4-239-692-02	CAM (BU U/D)		#7	7-685-902-21	SCREW +PTPWH 2.6X8 (TYPE2)	

8-11. OPTICAL PICK-UP SECTION (KHM-310CAB)



Ref. No.	Part No.	Description	Remark
△ 601	8-820-291-02	OPTICAL PICK-UP (KHM-310CAB/C2RP)	
602	3-087-599-01	INSULATOR SCREW	
603	3-088-372-01	INSULATOR	

SECTION 9 ELECTRICAL PARTS LIST

NOTE:

- Due to standardization, replacements in the parts list may be different from the parts specified in the diagrams or the components used on the set.
- -XX and -X mean standardized parts, so they may have some difference from the original one.
- Items marked “*” are not stocked since they are seldom required for routine service. Some delay should be anticipated when ordering these items.
- CAPACITORS
uF: μF
- COILS
uH: μH

- RESISTORS
All resistors are in ohms.
METAL: Metal-film resistor.
METAL OXIDE: Metal oxide-film resistor.
F: nonflammable
- SEMICONDUCTORS
In each case, u: μ, for example:
uA. . : μA. ., uPA. . : μPA. .,
uPB. . : μPB. ., uPC. . : μPC. .,
uPD. . : μPD. .
- Abbreviation
AUS : Australian model
E3 : 240V AC area in E model
E13 : 220-230V AC area in E model
E32 : 110-240V AC area in E model

When indicating parts by reference number, please include the board name.

The components identified by mark △ or dotted line with mark △ are critical for safety. Replace only with part number specified.

- MX : Mexican model
- SP : Singapore model
- TW : Taiwan model

Ref. No.	Part No.	Description	Remark	Ref. No.	Part No.	Description	Remark
☆	A-1111-270-A	DMB10 BOARD, COMPLETE (FX999W:E3, E13, AUS)		C144	1-162-970-11	CERAMIC CHIP 0.01uF	10% 25V
☆	A-1111-322-A	DMB10 BOARD, COMPLETE (FX1000W)		C145	1-165-908-11	CERAMIC CHIP 1uF	10% 10V
☆	A-1114-658-A	DMB10 BOARD, COMPLETE (FX999W:SP)		C146	1-107-826-11	CERAMIC CHIP 0.1uF	10% 16V
☆	A-1114-820-A	DMB10 BOARD, COMPLETE (FX999W:MX, E32)		C147	1-165-176-11	CERAMIC CHIP 0.047uF	10% 16V
☆	A-1118-292-A	DMB10 BOARD, COMPLETE (FX999W:TW) *****		C148	1-165-176-11	CERAMIC CHIP 0.047uF	10% 16V
		< CAPACITOR >		C149	1-107-826-11	CERAMIC CHIP 0.1uF	10% 16V
				C150	1-124-779-00	ELECT CHIP 10uF	20% 16V
				C151	1-115-416-11	CERAMIC CHIP 0.001uF	5% 25V
C101	1-162-970-11	CERAMIC CHIP 0.01uF	10% 25V	C152	1-162-916-11	CERAMIC CHIP 12PF	5% 50V
C102	1-125-837-91	CERAMIC CHIP 1uF	10% 6.3V	C153	1-162-916-11	CERAMIC CHIP 12PF	5% 50V
C105	1-126-205-11	ELECT CHIP 47uF	20% 6.3V	C154	1-107-826-11	CERAMIC CHIP 0.1uF	10% 16V
C106	1-162-970-11	CERAMIC CHIP 0.01uF	10% 25V	C155	1-162-970-11	CERAMIC CHIP 0.01uF	10% 25V
C108	1-162-964-11	CERAMIC CHIP 0.001uF	10% 50V	C156	1-162-970-11	CERAMIC CHIP 0.01uF	10% 25V
C109	1-162-964-11	CERAMIC CHIP 0.001uF	10% 50V	C158	1-162-970-11	CERAMIC CHIP 0.01uF	10% 25V
C112	1-126-205-11	ELECT CHIP 47uF	20% 6.3V	C159	1-162-970-11	CERAMIC CHIP 0.01uF	10% 25V
C113	1-162-970-11	CERAMIC CHIP 0.01uF	10% 25V	C160	1-162-970-11	CERAMIC CHIP 0.01uF	10% 25V
C114	1-107-826-11	CERAMIC CHIP 0.1uF	10% 16V	C161	1-162-970-11	CERAMIC CHIP 0.01uF	10% 25V
C115	1-107-826-11	CERAMIC CHIP 0.1uF	10% 16V	C162	1-162-970-11	CERAMIC CHIP 0.01uF	10% 25V
C116	1-107-826-11	CERAMIC CHIP 0.1uF	10% 16V	C163	1-125-837-91	CERAMIC CHIP 1uF	10% 6.3V
C117	1-124-779-00	ELECT CHIP 10uF	20% 16V				(FX1000W)
C118	1-124-779-00	ELECT CHIP 10uF	20% 16V	C163	1-129-970-11	CERAMIC CHIP 0.01uF	10% 25V
C119	1-124-779-00	ELECT CHIP 10uF	20% 16V				(FX999W)
C120	1-165-908-11	CERAMIC CHIP 1uF	10% 10V	C164	1-162-970-11	CERAMIC CHIP 0.01uF	10% 25V
C121	1-165-908-11	CERAMIC CHIP 1uF	10% 10V	C167	1-162-970-11	CERAMIC CHIP 0.01uF	10% 25V
C122	1-165-908-11	CERAMIC CHIP 1uF	10% 10V	C170	1-125-837-91	CERAMIC CHIP 1uF	10% 6.3V
C123	1-165-908-11	CERAMIC CHIP 1uF	10% 10V				(FX1000W)
C124	1-165-908-11	CERAMIC CHIP 1uF	10% 10V	C170	1-129-970-11	CERAMIC CHIP 0.01uF	10% 25V
C125	1-107-826-11	CERAMIC CHIP 0.1uF	10% 16V				(FX999W)
C126	1-107-826-11	CERAMIC CHIP 0.1uF	10% 16V	C171	1-162-970-11	CERAMIC CHIP 0.01uF	10% 25V
C127	1-162-970-11	CERAMIC CHIP 0.01uF	10% 25V	C172	1-162-970-11	CERAMIC CHIP 0.01uF	10% 25V
C128	1-162-965-11	CERAMIC CHIP 0.0015uF	10% 50V	C173	1-162-970-11	CERAMIC CHIP 0.01uF	10% 25V
C129	1-124-779-00	ELECT CHIP 10uF	20% 16V	C174	1-162-970-11	CERAMIC CHIP 0.01uF	10% 25V
C130	1-107-826-11	CERAMIC CHIP 0.1uF	10% 16V	C175	1-162-970-11	CERAMIC CHIP 0.01uF	10% 25V
C131	1-125-838-11	CERAMIC CHIP 2.2uF	10% 6.3V	C176	1-162-970-11	CERAMIC CHIP 0.01uF	10% 25V
C132	1-107-826-11	CERAMIC CHIP 0.1uF	10% 16V	C177	1-126-205-11	ELECT CHIP 47uF	20% 6.3V
C133	1-107-826-11	CERAMIC CHIP 0.1uF	10% 16V	C178	1-126-208-21	ELECT CHIP 47uF	20% 4V
C135	1-164-677-11	CERAMIC CHIP 0.033uF	10% 16V	C179	1-107-826-11	CERAMIC CHIP 0.1uF	10% 16V
C136	1-162-970-11	CERAMIC CHIP 0.01uF	10% 25V	C180	1-107-826-11	CERAMIC CHIP 0.1uF	10% 16V
C137	1-107-826-11	CERAMIC CHIP 0.1uF	10% 16V	C181	1-107-826-11	CERAMIC CHIP 0.1uF	10% 16V
C138	1-162-964-11	CERAMIC CHIP 0.001uF	10% 50V	C182	1-127-715-91	CERAMIC CHIP 0.22uF	10% 16V
C139	1-162-919-11	CERAMIC CHIP 22PF	5% 50V	C184	1-162-970-11	CERAMIC CHIP 0.01uF	10% 25V
C140	1-107-826-11	CERAMIC CHIP 0.1uF	10% 16V	C185	1-126-205-11	ELECT CHIP 47uF	20% 6.3V
C141	1-107-826-11	CERAMIC CHIP 0.1uF	10% 16V				(FX1000W)
C142	1-107-826-11	CERAMIC CHIP 0.1uF	10% 16V	C187	1-126-208-21	ELECT CHIP 47uF	20% 4V
C143	1-107-826-11	CERAMIC CHIP 0.1uF	10% 16V	C188	1-127-715-91	CERAMIC CHIP 0.22uF	10% 16V

☆ New part of EEP ROM (IC103) on the DMB10 board cannot be used. Therefore, if the mounted DMB10 board (A-1111-270-A, etc.) is replaced, exchange new EEP ROM (IC103) with that used before the replacement.

HCD-FX999W/FX1000W

Ver. 1.2

DMB10

Ref. No.	Part No.	Description	Remark	Ref. No.	Part No.	Description	Remark
C189	1-128-934-91	CERAMIC CHIP	0.33uF 20% 10V	FB114	1-414-226-21	INDUCTOR, FERRITE BEAD	
C190	1-126-205-11	ELECT CHIP	47uF 20% 6.3V	FB115	1-414-226-21	INDUCTOR, FERRITE BEAD	
C191	1-107-826-11	CERAMIC CHIP	0.1uF 10% 16V				
C192	1-162-970-11	CERAMIC CHIP	0.01uF 10% 25V	FB401	1-469-324-21	FERRITE, EMI (SMD) (2012)	
C193	1-127-715-91	CERAMIC CHIP	0.22uF 10% 16V	FB402	1-469-324-21	FERRITE, EMI (SMD) (2012)	
C195	1-127-715-91	CERAMIC CHIP	0.22uF 10% 16V	FB403	1-469-324-21	FERRITE, EMI (SMD) (2012)	
C196	1-162-968-11	CERAMIC CHIP	0.0047uF 10% 50V	FB404	1-469-324-21	FERRITE, EMI (SMD) (2012)	
C203	1-162-970-11	CERAMIC CHIP	0.01uF 10% 25V	FB405	1-469-324-21	FERRITE, EMI (SMD) (2012)	
C205	1-164-230-11	CERAMIC CHIP	220PF 5% 50V	FB406	1-469-324-21	FERRITE, EMI (SMD) (2012)	
C206	1-164-230-11	CERAMIC CHIP	220PF 5% 50V			< FILTER >	
C208	1-162-970-11	CERAMIC CHIP	0.01uF 10% 25V	FL101	1-234-494-21	FILTER, EMI REMOVAL (SMD)	
C209	1-164-677-11	CERAMIC CHIP	0.033uF 10% 16V	FL104	1-234-494-21	FILTER, EMI REMOVAL (SMD)	
C210	1-162-970-11	CERAMIC CHIP	0.01uF 10% 25V	FL105	1-234-494-21	FILTER, EMI REMOVAL (SMD)	
C211	1-164-677-11	CERAMIC CHIP	0.033uF 10% 16V	FL106	1-234-494-21	FILTER, EMI REMOVAL (SMD)	
C212	1-162-970-11	CERAMIC CHIP	0.01uF 10% 25V	FL107	1-234-494-21	FILTER, EMI REMOVAL (SMD)	
C213	1-162-970-11	CERAMIC CHIP	0.01uF 10% 25V	FL108	1-234-494-21	FILTER, EMI REMOVAL (SMD)	
C214	1-162-964-11	CERAMIC CHIP	0.001uF 10% 50V	FL401	1-234-494-21	FILTER, EMI REMOVAL (SMD)	
C215	1-162-970-11	CERAMIC CHIP	0.01uF 10% 25V	FL402	1-233-893-21	FILTER, CHIP EMI	
C217	1-126-204-11	ELECT CHIP	47uF 20% 16V	FL403	1-234-494-21	FILTER, EMI REMOVAL (SMD)	
C218	1-124-779-00	ELECT CHIP	10uF 20% 16V	FL4501	1-234-494-21	FILTER, EMI REMOVAL (SMD)	
C219	1-162-970-11	CERAMIC CHIP	0.01uF 10% 25V	FL4801	1-234-494-21	FILTER, EMI REMOVAL (SMD) (FX1000W)	
C220	1-124-779-00	ELECT CHIP	10uF 20% 16V			< IC >	
C221	1-107-826-11	CERAMIC CHIP	0.1uF 10% 16V	IC101	6-805-625-01	IC MBM29DL32TF70-CED1-0202UC (FX999W:MX, E32)	
C222	1-107-826-11	CERAMIC CHIP	0.1uF 10% 16V	IC101	6-805-720-01	IC S29JL032H70-CED1-0503CE (FX999W:E3, E13, AUS)	
C224	1-162-970-11	CERAMIC CHIP	0.01uF 10% 25V	IC101	6-805-721-01	IC S29JL032H70-CED1-0503GA (FX999W:SP, TW)	
C233	1-162-968-11	CERAMIC CHIP	0.0047uF 10% 50V	IC101	6-805-722-01	IC S29JL032H70-CHD1-0503UC (FX1000W)	
C402	1-126-204-11	ELECT CHIP	47uF 20% 16V	IC102	6-706-727-01	IC CXD9804R	
C403	1-126-205-11	ELECT CHIP	47uF 20% 6.3V	☆ IC103	(Not supplied)	IC BR24L64F-WE2	
C4501	1-117-370-11	CERAMIC CHIP	10uF 10V	IC104	6-706-390-11	IC HY57V641620HGTP-HDR	
C4502	1-162-970-11	CERAMIC CHIP	0.01uF 10% 25V	IC105	6-702-302-01	IC TK11133CSCS-L	
C4504	1-162-970-11	CERAMIC CHIP	0.01uF 10% 25V	IC106	6-708-153-01	IC PQ018EN01ZPH	
C4801	1-162-970-11	CERAMIC CHIP	0.01uF 10% 25V	IC107	6-702-302-01	IC TK11133CSCS-L	
C4802	1-162-970-11	CERAMIC CHIP	0.01uF 10% 25V (FX1000W)	IC201	6-704-524-01	IC FAN8036L	
C4803	1-117-370-11	CERAMIC CHIP	10uF 10V (FX1000W)	IC4501	8-759-573-97	IC SN74LVC541APWR	
		< CONNECTOR >		IC4502	8-759-649-50	IC SN74AHC1GU04DCKR	
CN101	1-815-763-32	CONNECTOR, FFC/FPC 24P		IC4801	6-703-589-01	IC SN74LVC1G125DCKR (FX1000W)	
* CN105	1-770-470-21	PIN, CONNECTOR (PC BOARD) 6P		IC4802	6-703-589-01	IC SN74LVC1G125DCKR (FX1000W)	
CN106	1-784-370-21	CONNECTOR, FFC/FPC 11P				< TRANSISTOR >	
* CN201	1-770-470-21	PIN, CONNECTOR (PC BOARD) 6P		Q101	6-550-008-01	TRANSISTOR UM6K1N-TN	
CN301	1-793-989-21	FFC/CONNECTOR, FPC (LIF(NON-ZIF)) 13P (FX999W)		Q102	6-550-653-01	TRANSISTOR QST8TR	
CN401	1-779-993-11	PIN, CONNECTOR (PWB) 5P		Q103	8-729-027-52	TRANSISTOR DTC124EKA-T146	
CN4501	1-784-370-21	CONNECTOR, FFC/FPC 11P				< RESISTOR >	
CN4801	1-779-338-51	CONNECTOR, FFC/FPC 28P (FX1000W)		R101	1-216-809-11	METAL CHIP 100 5% 1/10W	
CN4802	1-779-330-51	CONNECTOR, FFC/FPC 12P (FX1000W)		R104	1-216-864-11	SHORT CHIP 0	
		< DIODE >		R105	1-216-833-11	METAL CHIP 10K 5% 1/10W	
D1001	8-719-058-24	DIODE RB501V-40TE-17		R106	1-216-833-11	METAL CHIP 10K 5% 1/10W	
D3501	6-501-193-01	DIODE 1SS355WTE-17		R107	1-216-833-11	METAL CHIP 10K 5% 1/10W	
D3502	6-501-193-01	DIODE 1SS355WTE-17		R108	1-216-857-11	METAL CHIP 1M 5% 1/10W	
		< FERRITE BEAD >		R109	1-216-864-11	SHORT CHIP 0	
FB111	1-414-226-21	INDUCTOR, FERRITE BEAD		R110	1-216-841-11	METAL CHIP 47K 5% 1/10W	
FB112	1-414-226-21	INDUCTOR, FERRITE BEAD		R111	1-216-809-11	METAL CHIP 100 5% 1/10W	
FB113	1-414-226-21	INDUCTOR, FERRITE BEAD		R112	1-211-977-11	METAL CHIP 22 0.5% 1/10W	

☆ New part of EEP ROM (IC103) on the DMB10 board cannot be used. Therefore, if the mounted DMB10 board (A-1111-270-A, etc.) is replaced, exchange new EEP ROM (IC103) with that used before the replacement.

Ref. No.	Part No.	Description	Remark	Ref. No.	Part No.	Description	Remark
R113	1-211-977-11	METAL CHIP	22 0.5% 1/10W	R221	1-218-889-11	METAL CHIP	56K 0.5% 1/10W
R114	1-216-845-11	METAL CHIP	100K 5% 1/10W	R223	1-218-895-11	METAL CHIP	100K 0.5% 1/10W
R115	1-211-977-11	METAL CHIP	22 0.5% 1/10W	R224	1-216-833-11	METAL CHIP	10K 5% 1/10W
R116	1-216-821-11	METAL CHIP	1K 5% 1/10W	R225	1-218-895-11	METAL CHIP	100K 0.5% 1/10W
R117	1-216-841-11	METAL CHIP	47K 5% 1/10W	R226	1-218-889-11	METAL CHIP	56K 0.5% 1/10W
R118	1-216-801-11	METAL CHIP	22 5% 1/10W	R230	1-218-893-11	METAL CHIP	82K 0.5% 1/10W
R120	1-216-801-11	METAL CHIP	22 5% 1/10W	R231	1-218-875-11	METAL CHIP	15K 0.5% 1/10W
R121	1-216-801-11	METAL CHIP	22 5% 1/10W	R232	1-218-877-11	METAL CHIP	18K 0.5% 1/10W
R123	1-216-864-11	SHORT CHIP	0	R233	1-218-883-11	METAL CHIP	33K 0.5% 1/10W
R124	1-216-841-11	METAL CHIP	47K 5% 1/10W	R234	1-216-833-11	METAL CHIP	10K 5% 1/10W
R126	1-216-864-11	SHORT CHIP	0	R246	1-216-829-11	METAL CHIP	4.7K 5% 1/10W
R127	1-216-809-11	METAL CHIP	100 5% 1/10W	R247	1-216-821-11	METAL CHIP	1K 5% 1/10W
R133	1-216-827-11	METAL CHIP	3.3K 5% 1/10W	R1101	1-216-825-11	METAL CHIP	2.2K 5% 1/10W (FX999W)
R134	1-216-827-11	METAL CHIP	3.3K 5% 1/10W	R1101	1-216-818-11	METAL CHIP	560 5% 1/10W (FX1000W)
R135	1-216-827-11	METAL CHIP	3.3K 5% 1/10W	R1102	1-218-827-11	METAL CHIP	150 0.5% 1/10W (FX999W)
R136	1-216-835-11	METAL CHIP	15K 5% 1/10W	R1103	1-216-833-11	METAL CHIP	10K 5% 1/10W
R138	1-216-845-11	METAL CHIP	100K 5% 1/10W	R1104	1-216-833-11	METAL CHIP	10K 5% 1/10W
R141	1-218-916-11	METAL CHIP	750K 0.5% 1/10W	R1105	1-216-833-11	METAL CHIP	10K 5% 1/10W
R142	1-216-845-11	METAL CHIP	100K 5% 1/10W	R1107	1-216-864-11	SHORT CHIP	0
R143	1-216-809-11	METAL CHIP	100 5% 1/10W	R1108	1-216-833-11	METAL CHIP	10K 5% 1/10W
R144	1-216-864-11	SHORT CHIP	0	R1109	1-216-864-11	SHORT CHIP	0
R146	1-216-805-11	METAL CHIP	47 5% 1/10W	R1110	1-216-826-11	METAL CHIP	2.7K 5% 1/10W
R151	1-216-805-11	METAL CHIP	47 5% 1/10W	R1120	1-500-284-21	INDUCTOR, FERRITE BEAD	(FX999W)
R152	1-216-864-11	SHORT CHIP	0	R1121	1-500-284-21	INDUCTOR, FERRITE BEAD	(FX999W)
R153	1-216-805-11	METAL CHIP	47 5% 1/10W	R1122	1-500-284-21	INDUCTOR, FERRITE BEAD	(FX999W)
R155	1-216-805-11	METAL CHIP	47 5% 1/10W	R1123	1-500-284-21	INDUCTOR, FERRITE BEAD	(FX999W)
R160	1-216-805-11	METAL CHIP	47 5% 1/10W	R1124	1-500-284-21	INDUCTOR, FERRITE BEAD	(FX999W)
R161	1-216-809-11	METAL CHIP	100 5% 1/10W	R1125	1-500-284-21	INDUCTOR, FERRITE BEAD	(FX999W)
R164	1-216-809-11	METAL CHIP	100 5% 1/10W	R1129	1-216-845-11	METAL CHIP	100K 5% 1/10W
R169	1-216-833-11	METAL CHIP	10K 5% 1/10W	R1133	1-216-864-11	SHORT CHIP	0
R187	1-216-864-11	SHORT CHIP	0	R1134	1-216-864-11	SHORT CHIP	0
R189	1-218-827-11	METAL CHIP	150 0.5% 1/10W (FX999W)	R1150	1-216-827-11	METAL CHIP	3.3K 5% 1/10W
R190	1-218-827-11	METAL CHIP	150 0.5% 1/10W (FX999W)	R1151	1-216-827-11	METAL CHIP	3.3K 5% 1/10W
R191	1-216-821-11	METAL CHIP	1K 5% 1/10W	R1152	1-216-827-11	METAL CHIP	3.3K 5% 1/10W
R192	1-218-827-11	METAL CHIP	150 0.5% 1/10W (FX999W)	R1168	1-216-817-11	METAL CHIP	470 5% 1/10W
R193	1-216-821-11	METAL CHIP	1K 5% 1/10W	R1502	1-216-864-11	SHORT CHIP	0
R195	1-218-827-11	METAL CHIP	150 0.5% 1/10W (FX999W)	R1504	1-400-244-11	BEAD, FERRITE (CHIP)	(1608)
R196	1-216-864-11	SHORT CHIP	0	R1505	1-216-833-11	METAL CHIP	10K 5% 1/10W (FX1000W)
R197	1-218-827-11	METAL CHIP	150 0.5% 1/10W (FX999W)	R1506	1-216-864-11	SHORT CHIP	0 (FX1000W)
R204	1-216-822-11	METAL CHIP	1.2K 5% 1/10W	R1508	1-500-282-11	INDUCTOR, FERRITE BEAD	(FX1000W)
R205	1-216-833-11	METAL CHIP	10K 5% 1/10W	R1510	1-216-864-11	SHORT CHIP	0 (FX1000W)
R206	1-216-833-11	METAL CHIP	10K 5% 1/10W	R1511	1-500-282-11	INDUCTOR, FERRITE BEAD	(FX1000W)
R207	1-216-826-11	METAL CHIP	2.7K 5% 1/10W	R1512	1-500-282-11	INDUCTOR, FERRITE BEAD	(FX1000W)
R208	1-216-839-11	METAL CHIP	33K 5% 1/10W	R1513	1-500-282-11	INDUCTOR, FERRITE BEAD	(FX1000W)
R209	1-216-839-11	METAL CHIP	33K 5% 1/10W	R1514	1-500-282-11	INDUCTOR, FERRITE BEAD	(FX1000W)
R210	1-216-841-11	METAL CHIP	47K 5% 1/10W	R1515	1-500-282-11	INDUCTOR, FERRITE BEAD	(FX1000W)
R212	1-216-833-11	METAL CHIP	10K 5% 1/10W	R1516	1-500-282-11	INDUCTOR, FERRITE BEAD	(FX1000W)
R213	1-218-867-11	METAL CHIP	6.8K 0.5% 1/10W	R1517	1-500-282-11	INDUCTOR, FERRITE BEAD	(FX1000W)
R214	1-216-835-11	METAL CHIP	15K 5% 1/10W	R1518	1-500-282-11	INDUCTOR, FERRITE BEAD	(FX1000W)
R215	1-216-834-11	METAL CHIP	12K 5% 1/10W	R1519	1-216-803-11	METAL CHIP	33 5% 1/10W (FX1000W)
R216	1-216-834-11	METAL CHIP	12K 5% 1/10W	R1520	1-216-803-11	METAL CHIP	33 5% 1/10W (FX1000W)
R219	1-216-838-11	METAL CHIP	27K 5% 1/10W	R1521	1-216-821-11	METAL CHIP	1K 5% 1/10W (FX1000W)
R220	1-216-833-11	METAL CHIP	10K 5% 1/10W				

HCD-FX999W/FX1000W

Ver. 1.1

DMB10 FL

Ref. No.	Part No.	Description	Remark
R1522	1-216-864-11	SHORT CHIP	0 (FX1000W)
R1523	1-216-864-11	SHORT CHIP	0 (FX1000W)
R1528	1-216-864-11	SHORT CHIP	0 (FX1000W)
R1530	1-216-864-11	SHORT CHIP	0
R1531	1-216-864-11	SHORT CHIP	0
R1540	1-216-829-11	METAL CHIP	4.7K 5% 1/10W
R1542	1-216-864-11	SHORT CHIP	0 (FX999W)
R1543	1-216-833-11	METAL CHIP	10K 5% 1/10W (FX999W)
R1544	1-216-864-11	SHORT CHIP	0
R1546	1-216-827-11	METAL CHIP	3.3K 5% 1/10W
R1547	1-216-829-11	METAL CHIP	4.7K 5% 1/10W
R1548	1-216-829-11	METAL CHIP	4.7K 5% 1/10W
R1549	1-216-829-11	METAL CHIP	4.7K 5% 1/10W
R1550	1-216-829-11	METAL CHIP	4.7K 5% 1/10W
R1551	1-216-829-11	METAL CHIP	4.7K 5% 1/10W
R1552	1-216-824-11	METAL CHIP	1.8K 5% 1/10W (FX1000W)
R1553	1-216-864-11	SHORT CHIP	0
R1554	1-216-829-11	METAL CHIP	4.7K 5% 1/10W
R1557	1-216-809-11	METAL CHIP	100 5% 1/10W
R2504	1-216-829-11	METAL CHIP	4.7K 5% 1/10W
R4501	1-216-864-11	SHORT CHIP	0
R4502	1-216-864-11	SHORT CHIP	0
R4510	1-216-805-11	METAL CHIP	47 5% 1/10W
R4511	1-216-809-11	METAL CHIP	100 5% 1/10W
R4512	1-400-244-11	BEAD, FERRITE (CHIP) (1608)	
R4513	1-216-864-11	SHORT CHIP	0
R4514	1-216-809-11	METAL CHIP	100 5% 1/10W
R4515	1-216-809-11	METAL CHIP	100 5% 1/10W
R4516	1-216-809-11	METAL CHIP	100 5% 1/10W
R4518	1-216-864-11	SHORT CHIP	0
R4520	1-216-864-11	SHORT CHIP	0
R4701	1-216-864-11	SHORT CHIP	0 (FX999W)
R4702	1-216-864-11	SHORT CHIP	0 (FX999W)
R4703	1-216-864-11	SHORT CHIP	0 (FX999W)
R4704	1-216-864-11	SHORT CHIP	0 (FX999W)
R4705	1-216-864-11	SHORT CHIP	0 (FX999W)
R4706	1-216-864-11	SHORT CHIP	0 (FX999W)
R4801	1-216-864-11	SHORT CHIP	0 (FX1000W)
R4802	1-216-864-11	SHORT CHIP	0 (FX1000W)
R4803	1-216-864-11	SHORT CHIP	0 (FX1000W)
R4804	1-216-864-11	SHORT CHIP	0 (FX1000W)
R4805	1-400-244-11	BEAD, FERRITE (CHIP) (1608)	(FX1000W)
R4806	1-216-806-11	METAL CHIP	56 5% 1/10W (FX1000W)
< COMPOSITION CIRCUIT BLOCK >			
RB103	1-234-795-21	RES, NETWORK 0X4 (2010)	
RB104	1-234-795-21	RES, NETWORK 0X4 (2010)	
RB105	1-234-371-21	RES, NETWORK 47 (1005X4)	
RB106	1-234-371-21	RES, NETWORK 47 (1005X4)	
RB107	1-234-370-21	RES, NETWORK 22 (1005X4)	
RB108	1-234-370-21	RES, NETWORK 22 (1005X4)	
RB111	1-234-795-21	RES, NETWORK 0X4 (2010)	
RB112	1-234-370-21	RES, NETWORK 22 (1005X4)	
RB113	1-234-370-21	RES, NETWORK 22 (1005X4)	

Ref. No.	Part No.	Description	Remark
< VIBRATOR >			
X101	1-781-867-21	VIBRATOR, CRYSTAL (27MHz)	

	A-1104-753-A	FL BOARD, COMPLETE	

< CAPACITOR >			
C800	1-162-968-11	CERAMIC CHIP	0.0047uF 10% 50V
C801	1-163-037-11	CERAMIC CHIP	0.022uF 10% 50V
C802	1-126-795-11	ELECT	10uF 20% 50V
C803	1-124-584-00	ELECT	100uF 20% 10V
C804	1-162-974-11	CERAMIC CHIP	0.01uF 50V
C805	1-164-360-11	CERAMIC CHIP	0.1uF 16V
C806	1-162-964-11	CERAMIC CHIP	0.001uF 10% 50V
C808	1-162-974-11	CERAMIC CHIP	0.01uF 50V
C809	1-162-923-11	CERAMIC CHIP	47PF 5% 50V
C810	1-162-974-11	CERAMIC CHIP	0.01uF 50V
C811	1-162-966-11	CERAMIC CHIP	0.0022uF 10% 50V
C812	1-162-927-11	CERAMIC CHIP	100PF 5% 50V
C813	1-162-964-11	CERAMIC CHIP	0.001uF 10% 50V
C814	1-164-360-11	CERAMIC CHIP	0.1uF 16V
C815	1-117-370-11	CERAMIC CHIP	10uF 10V
C816	1-162-960-11	CERAMIC CHIP	220PF 10% 50V
C817	1-162-960-11	CERAMIC CHIP	220PF 10% 50V
C818	1-162-960-11	CERAMIC CHIP	220PF 10% 50V
C819	1-162-960-11	CERAMIC CHIP	220PF 10% 50V
C820	1-162-960-11	CERAMIC CHIP	220PF 10% 50V
C821	1-162-960-11	CERAMIC CHIP	220PF 10% 50V
C822	1-162-960-11	CERAMIC CHIP	220PF 10% 50V
C823	1-162-960-11	CERAMIC CHIP	220PF 10% 50V
C824	1-162-960-11	CERAMIC CHIP	220PF 10% 50V
C825	1-162-960-11	CERAMIC CHIP	220PF 10% 50V
C826	1-162-960-11	CERAMIC CHIP	220PF 10% 50V
C827	1-162-960-11	CERAMIC CHIP	220PF 10% 50V
C828	1-162-970-11	CERAMIC CHIP	0.01uF 10% 25V
C829	1-126-795-11	ELECT	10uF 20% 50V
C833	1-164-360-11	CERAMIC CHIP	0.1uF 16V
C881	1-162-960-11	CERAMIC CHIP	220PF 10% 50V
C882	1-162-960-11	CERAMIC CHIP	220PF 10% 50V
C883	1-162-960-11	CERAMIC CHIP	220PF 10% 50V
C884	1-162-960-11	CERAMIC CHIP	220PF 10% 50V
C885	1-162-960-11	CERAMIC CHIP	220PF 10% 50V
C886	1-162-960-11	CERAMIC CHIP	220PF 10% 50V
C887	1-162-960-11	CERAMIC CHIP	220PF 10% 50V
C888	1-162-960-11	CERAMIC CHIP	220PF 10% 50V
C889	1-162-960-11	CERAMIC CHIP	220PF 10% 50V
C890	1-162-960-11	CERAMIC CHIP	220PF 10% 50V
C891	1-162-960-11	CERAMIC CHIP	220PF 10% 50V
< CONNECTOR >			
CN801	1-794-354-11	CONNECTOR, FFC/FPC 19P	
CN802	1-784-867-21	CONNECTOR, FFC (LIF (NON-ZIF)) 15P	
CN804	1-506-468-11	PIN, CONNECTOR 3P	
< DIODE >			
D801	6-501-193-01	DIODE 1SS355WTE-17	

Ref. No.	Part No.	Description	Remark	Ref. No.	Part No.	Description	Remark
D802	6-501-193-01	DIODE 1SS355WTE-17		C103	1-104-662-91	ELECT 22uF 20%	25V
D803	8-719-069-56	DIODE UDZSTE-176.2B					(FX999W)
D804	6-501-193-01	DIODE 1SS355WTE-17		C103	1-124-234-00	ELECT 22uF 20%	16V
D805	6-501-193-01	DIODE 1SS355WTE-17					(FX1000W)
		< FERRITE BEAD >		C104	1-104-662-91	ELECT 22uF 20%	25V
							(FX999W)
FB801	1-414-813-11	FERRITE, EMI (SMD) (2012)		C104	1-124-234-00	ELECT 22uF 20%	16V
FB802	1-414-813-11	FERRITE, EMI (SMD) (2012)					(FX1000W)
		< FLUORESCENT INDICATOR TUBE >		C109	1-164-156-11	CERAMIC CHIP 0.1uF	25V
				C201	1-164-156-11	CERAMIC CHIP 0.1uF	25V
FL801	1-519-810-11	VACUUM FLUORESCENT DISPLAYS		C202	1-162-964-11	CERAMIC CHIP 0.001uF 10%	50V
		< IC >		C203	1-125-972-91	ELECT 100uF 20%	16V
							(FX1000W)
IC801	6-600-349-21	IC NJL23H400A		C203	1-126-933-11	ELECT 100uF 20%	16V
IC802	6-704-046-01	IC BU2099FV					(FX999W)
IC803	6-705-899-01	IC ML9208-03MBZ03B		C204	1-124-247-91	ELECT 10uF 20%	35V
		< COIL >					(FX1000W)
				C204	1-126-964-11	ELECT 10uF 20%	50V
L801	1-410-671-31	INDUCTOR 47uH					(FX999W)
L802	1-400-135-11	INDUCTOR 1uH		C205	1-126-964-11	ELECT 10uF 20%	50V
L803	1-400-135-11	INDUCTOR 1uH		C206	1-126-964-11	ELECT 10uF 20%	50V
L804	1-400-135-11	INDUCTOR 1uH		C207	1-124-247-91	ELECT 10uF 20%	35V
		< TRANSISTOR >					(FX1000W)
Q801	6-550-065-01	TRANSISTOR CPH5504-TL-E		C207	1-126-964-11	ELECT 10uF 20%	50V
Q802	8-729-120-28	TRANSISTOR 2SC1623-L5L6					(FX999W)
		< RESISTOR >		C208	1-164-156-11	CERAMIC CHIP 0.1uF	25V
R801	1-216-839-11	METAL CHIP 33K 5% 1/10W		C209	1-164-156-11	CERAMIC CHIP 0.1uF	25V
R802	1-216-809-11	METAL CHIP 100 5% 1/10W		C210	1-126-176-11	ELECT 220uF 20%	10V
R804	1-216-828-11	METAL CHIP 3.9K 5% 1/10W					(FX1000W)
R805	1-216-864-11	SHORT CHIP 0		C210	1-126-925-91	ELECT 470uF 20%	10V
R810	1-216-864-11	SHORT CHIP 0					(FX999W)
R812	1-216-864-11	SHORT CHIP 0		C211	1-124-247-91	ELECT 10uF 20%	35V
R813	1-216-809-11	METAL CHIP 100 5% 1/10W					(FX1000W)
R814	1-216-827-11	METAL CHIP 3.3K 5% 1/10W		C211	1-126-964-91	ELECT 10uF 20%	50V
R815	1-216-809-11	METAL CHIP 100 5% 1/10W					(FX999W)
R816	1-216-809-11	METAL CHIP 100 5% 1/10W		C212	1-162-921-11	CERAMIC CHIP 33PF 5%	50V
R817	1-216-809-11	METAL CHIP 100 5% 1/10W		C213	1-126-933-11	ELECT 100uF 20%	16V
R818	1-216-809-11	METAL CHIP 100 5% 1/10W		C214	1-164-156-11	CERAMIC CHIP 0.1uF	25V
R819	1-216-809-11	METAL CHIP 100 5% 1/10W		C215	1-115-156-11	CERAMIC CHIP 1uF	10V
R820	1-216-833-11	METAL CHIP 10K 5% 1/10W		C216	1-115-156-11	CERAMIC CHIP 1uF	10V
R821	1-216-805-11	METAL CHIP 47 5% 1/10W		C217	1-125-972-91	ELECT 100uF 20%	16V
R845	1-216-821-11	METAL CHIP 1K 5% 1/10W					(FX1000W)
R846	1-216-809-11	METAL CHIP 100 5% 1/10W		C217	1-126-933-11	ELECT 100uF 20%	16V
R872	1-216-821-11	METAL CHIP 1K 5% 1/10W					(FX999W)
R875	1-216-845-11	METAL CHIP 100K 5% 1/10W		C218	1-115-156-11	CERAMIC CHIP 1uF	10V
		< TRANSFORMER >		C219	1-164-156-11	CERAMIC CHIP 0.1uF	25V
T801	1-443-757-11	TRANSFORMER, DC-DC CONVERTER		C220	1-124-247-91	ELECT 10uF 20%	35V
*****							(FX1000W)
	A-1111-264-A	I/O BOARD, COMPLETE (FX999W)		C220	1-126-964-11	ELECT 10uF 20%	50V
	A-1111-317-A	I/O BOARD, COMPLETE (FX1000W)					(FX999W)
		*****		C221	1-164-156-11	CERAMIC CHIP 0.1uF	25V
		< CAPACITOR >		C222	1-164-156-11	CERAMIC CHIP 0.1uF	25V
C102	1-126-933-11	ELECT 100uF 20%	16V	C223	1-164-156-11	CERAMIC CHIP 0.1uF	25V
				C224	1-126-916-11	ELECT 1000uF 20%	6.3V
				C225	1-126-916-11	ELECT 1000uF 20%	6.3V
				C226	1-126-916-11	ELECT 1000uF 20%	6.3V
				C227	1-126-933-11	ELECT 100uF 20%	16V
				C228	1-126-933-11	ELECT 100uF 20%	16V
				C231	1-164-156-11	CERAMIC CHIP 0.1uF	25V
				C242	1-162-964-11	CERAMIC CHIP 0.001uF 10%	50V
							(FX1000W)

HCD-FX999W/FX1000W

Ver. 1.1

I/O

Ref. No.	Part No.	Description	Remark	Ref. No.	Part No.	Description	Remark
C242	1-500-284-21	INDUCTOR, FERRITE BEAD (FX999W)		CN201	1-779-281-11	CONNECTOR, FFC (LIF (NON-ZIF)) 13P	
C601	1-126-933-11	ELECT	100uF 20% 16V	CN601	1-779-291-11	CONNECTOR, FFC (LIF (NON-ZIF)) 23P	
C602	1-164-156-11	CERAMIC CHIP	0.1uF 25V	* CN602	1-564-708-11	PIN, CONNECTOR (SMALL TYPE) 6P	
C605	1-162-964-11	CERAMIC CHIP	0.001uF 10% 50V	CN603	1-564-505-11	PLUG, CONNECTOR 2P	
C606	1-164-156-11	CERAMIC CHIP	0.1uF 25V			< IC >	
C607	1-104-662-91	ELECT	22uF 20% 25V	IC201	6-705-602-01	IC MM1623BFBE	
			(FX999W)	IC203	8-759-696-10	IC NJM2235V (TE2)	
C607	1-124-234-00	ELECT	22uF 20% 16V	IC204	8-759-284-49	IC NJM2285V-TE2	
			(FX1000W)	IC601	8-759-385-76	IC MC14052 BDR2	
C608	1-125-972-91	ELECT	100uF 20% 16V	IC602	8-759-649-89	IC MC4558CD	
			(FX1000W)			< JACK >	
C608	1-126-933-11	ELECT	100uF 20% 16V	IC603	6-600-014-01	IC TORX141L (OPTICAL DIGITAL IN)	
			(FX999W)	IC606	8-759-649-89	IC MC4558CD	
C609	1-164-156-11	CERAMIC CHIP	0.1uF 25V	IC607	6-706-078-01	IC M62429FP-TP	
C610	1-104-662-91	ELECT	22uF 20% 25V			< COIL >	
			(FX999W)	J201	1-780-211-11	TERMINAL BOARD (S TERMINAL+1P)	
C610	1-124-234-00	ELECT	22uF 20% 16V			(MONITOR OUT)	
			(FX1000W)	J202	1-817-449-11	JACK, PIN 3P (COMPONENT VIDEO OUT)	
C611	1-104-662-91	ELECT	22uF 20% 25V	J601	1-816-605-11	JACK, PIN 6P (VIDEO/SAT)	
C612	1-104-662-91	ELECT	22uF 20% 25V	J602	1-818-634-11	JACK, PIN 1P (DIR-T1)	
C613	1-104-662-91	ELECT	22uF 20% 25V			< COIL >	
C614	1-104-662-91	ELECT	22uF 20% 25V	L101	1-469-525-91	INDUCTOR 10uH	
C615	1-126-160-11	ELECT	1uF 20% 50V	L201	1-469-525-91	INDUCTOR 10uH	
			(FX1000W)	L202	1-469-525-91	INDUCTOR 10uH	
C615	1-126-960-11	ELECT	1uF 20% 50V	L601	1-469-525-91	INDUCTOR 10uH	
			(FX999W)	L602	1-469-525-91	INDUCTOR 10uH	
C616	1-126-160-11	ELECT	1uF 20% 50V	L603	1-469-525-91	INDUCTOR 10uH	
			(FX1000W)			< TRANSISTOR >	
C616	1-126-960-11	ELECT	1uF 20% 50V	Q600	8-729-901-00	TRANSISTOR DTC124EK	
			(FX999W)	Q601	8-729-901-00	TRANSISTOR DTC124EK	
C617	1-162-964-11	CERAMIC CHIP	0.001uF 10% 50V	Q602	8-729-901-00	TRANSISTOR DTC124EK	
C621	1-162-960-11	CERAMIC CHIP	220PF 10% 50V	Q603	8-729-901-00	TRANSISTOR DTC124EK	
C622	1-124-234-00	ELECT	22uF 20% 16V	Q604	8-729-901-00	TRANSISTOR DTC124EK	
C623	1-162-960-11	CERAMIC CHIP	220PF 10% 50V	Q605	8-729-901-00	TRANSISTOR DTC124EK	
C624	1-162-960-11	CERAMIC CHIP	220PF 10% 50V			< RESISTOR >	
C625	1-162-960-11	CERAMIC CHIP	220PF 10% 50V	R102	1-216-864-11	SHORT CHIP 0	
C626	1-162-960-11	CERAMIC CHIP	220PF 10% 50V	R105	1-216-845-11	METAL CHIP 100K 5% 1/10W	
C627	1-162-927-11	CERAMIC CHIP	100PF 5% 50V	R109	1-216-864-11	SHORT CHIP 0	
C628	1-162-927-11	CERAMIC CHIP	100PF 5% 50V	R114	1-216-864-11	SHORT CHIP 0	
C630	1-124-234-00	ELECT	22uF 20% 16V	R115	1-216-845-11	METAL CHIP 100K 5% 1/10W	
C645	1-130-491-00	MYLAR	0.047uF 5% 50V	R116	1-216-845-11	METAL CHIP 100K 5% 1/10W	
C646	1-126-933-11	ELECT	100uF 20% 16V	R117	1-216-845-11	METAL CHIP 100K 5% 1/10W	
C647	1-164-156-11	CERAMIC CHIP	0.1uF 25V	R201	1-218-285-11	METAL CHIP 75 5% 1/10W	
C648	1-124-464-11	ELECT	0.22uF 20% 50V	R202	1-218-285-11	METAL CHIP 75 5% 1/10W	
C649	1-125-972-91	ELECT	100uF 20% 16V	R203	1-216-864-11	SHORT CHIP 0	
C650	1-164-156-11	CERAMIC CHIP	0.1uF 25V	R204	1-216-821-11	METAL CHIP 1K 5% 1/10W	
C654	1-162-960-11	CERAMIC CHIP	220PF 10% 50V	R205	1-216-864-11	SHORT CHIP 0	
C655	1-162-923-11	CERAMIC CHIP	47PF 5% 50V	R206	1-216-864-11	SHORT CHIP 0	
C665	1-125-972-91	ELECT	100uF 20% 16V	R207	1-216-864-11	SHORT CHIP 0	
			(FX1000W)	R209	1-216-864-11	SHORT CHIP 0	
C665	1-126-933-11	ELECT	100uF 20% 16V	R226	1-216-864-11	SHORT CHIP 0	
			(FX999W)	R228	1-216-833-11	METAL CHIP 10K 5% 1/10W	
C666	1-164-156-11	CERAMIC CHIP	0.1uF 25V	R229	1-218-285-11	METAL CHIP 75 5% 1/10W	
C668	1-124-234-00	ELECT	22uF 20% 16V			< CONNECTOR >	
C669	1-125-972-91	ELECT	100uF 20% 16V	CN101	1-568-828-11	CONNECTOR, FFC 9P	
C670	1-164-156-11	CERAMIC CHIP	0.1uF 25V				

Ref. No.	Part No.	Description	Remark	Ref. No.	Part No.	Description	Remark
R230	1-218-285-11	METAL CHIP	75 5% 1/10W			KEY BOARD	
R231	1-218-285-11	METAL CHIP	75 5% 1/10W			*****	
R232	1-218-285-11	METAL CHIP	75 5% 1/10W			< RESISTOR >	
R233	1-218-285-11	METAL CHIP	75 5% 1/10W				
R241	1-218-285-11	METAL CHIP	75 5% 1/10W				
R601	1-216-833-11	METAL CHIP	10K 5% 1/10W	R851	1-216-825-11	METAL CHIP 2.2K 5% 1/10W	
R602	1-216-833-11	METAL CHIP	10K 5% 1/10W	R852	1-216-825-11	METAL CHIP 2.2K 5% 1/10W	
R603	1-216-833-11	METAL CHIP	10K 5% 1/10W	R853	1-216-829-11	METAL CHIP 4.7K 5% 1/10W	
R604	1-216-833-11	METAL CHIP	10K 5% 1/10W	R855	1-216-821-11	METAL CHIP 1K 5% 1/10W	
R607	1-216-841-11	METAL CHIP	47K 5% 1/10W	R856	1-216-825-11	METAL CHIP 2.2K 5% 1/10W	
R608	1-216-841-11	METAL CHIP	47K 5% 1/10W	R857	1-216-825-11	METAL CHIP 2.2K 5% 1/10W	
R609	1-216-817-11	METAL CHIP	470 5% 1/10W	R858	1-216-829-11	METAL CHIP 4.7K 5% 1/10W	
R610	1-216-817-11	METAL CHIP	470 5% 1/10W			< SWITCH >	
R613	1-216-829-11	METAL CHIP	4.7K 5% 1/10W	S801	1-786-763-11	SWITCH, TACTILE (◀◀)	
R614	1-216-829-11	METAL CHIP	4.7K 5% 1/10W	S802	1-786-763-11	SWITCH, TACTILE (VOLUME +)	
R615	1-216-841-11	METAL CHIP	47K 5% 1/10W	S804	1-786-763-11	SWITCH, TACTILE (FUNCTION)	
R616	1-216-841-11	METAL CHIP	47K 5% 1/10W	S805	1-786-763-11	SWITCH, TACTILE (■)	
R617	1-216-821-11	METAL CHIP	1K 5% 1/10W	S806	1-786-763-11	SWITCH, TACTILE (■)	
R618	1-216-833-11	METAL CHIP	10K 5% 1/10W	S807	1-786-763-11	SWITCH, TACTILE (▶▶)	
R619	1-216-821-11	METAL CHIP	1K 5% 1/10W	S808	1-786-763-11	SWITCH, TACTILE (VOLUME -)	
R620	1-216-833-11	METAL CHIP	10K 5% 1/10W	*****			
R621	1-216-833-11	METAL CHIP	10K 5% 1/10W			LED BOARD	
R622	1-216-833-11	METAL CHIP	10K 5% 1/10W			*****	
R623	1-216-841-11	METAL CHIP	47K 5% 1/10W			< CONNECTOR >	
R624	1-216-841-11	METAL CHIP	47K 5% 1/10W				
R625	1-216-841-11	METAL CHIP	47K 5% 1/10W	CN803	1-784-867-21	CONNECTOR, FFC (LIF (NON-ZIF)) 15P	
R626	1-216-841-11	METAL CHIP	47K 5% 1/10W			< DIODE >	
R627	1-216-841-11	METAL CHIP	47K 5% 1/10W				
R628	1-216-841-11	METAL CHIP	47K 5% 1/10W	D811	8-719-079-89	DIODE SML-020MDT-T86 (DISC1)	
R629	1-216-833-11	METAL CHIP	10K 5% 1/10W	D812	8-719-079-89	DIODE SML-020MDT-T86 (DISC2)	
R630	1-216-833-11	METAL CHIP	10K 5% 1/10W	D813	8-719-079-89	DIODE SML-020MDT-T86 (DISC3)	
R633	1-216-829-11	METAL CHIP	4.7K 5% 1/10W	D814	8-719-079-89	DIODE SML-020MDT-T86 (DISC4)	
R634	1-216-845-11	METAL CHIP	100K 5% 1/10W	D815	8-719-079-89	DIODE SML-020MDT-T86 (DISC5)	
R635	1-216-841-11	METAL CHIP	47K 5% 1/10W			< RESISTOR >	
R636	1-216-833-11	METAL CHIP	10K 5% 1/10W				
R640	1-216-864-11	SHORT CHIP	0	R822	1-216-817-11	METAL CHIP 470 5% 1/10W	
R641	1-216-841-11	METAL CHIP	47K 5% 1/10W	R823	1-216-817-11	METAL CHIP 470 5% 1/10W	
R642	1-216-841-11	METAL CHIP	47K 5% 1/10W	R824	1-216-817-11	METAL CHIP 470 5% 1/10W	
R643	1-216-833-11	METAL CHIP	10K 5% 1/10W	R825	1-216-817-11	METAL CHIP 470 5% 1/10W	
R645	1-216-837-11	METAL CHIP	22K 5% 1/10W	R826	1-216-817-11	METAL CHIP 470 5% 1/10W	
R648	1-216-833-11	METAL CHIP	10K 5% 1/10W				
R649	1-216-833-11	METAL CHIP	10K 5% 1/10W	R827	1-216-817-11	METAL CHIP 470 5% 1/10W	
R650	1-216-825-11	METAL CHIP	2.2K 5% 1/10W	R828	1-216-817-11	METAL CHIP 470 5% 1/10W	
R651	1-216-825-11	METAL CHIP	2.2K 5% 1/10W	R829	1-216-817-11	METAL CHIP 470 5% 1/10W	
R652	1-216-809-11	METAL CHIP	100 5% 1/10W	R830	1-216-817-11	METAL CHIP 470 5% 1/10W	
R653	1-216-845-11	METAL CHIP	100K 5% 1/10W	R831	1-216-817-11	METAL CHIP 470 5% 1/10W	
R654	1-216-841-11	METAL CHIP	47K 5% 1/10W				
R655	1-216-835-11	METAL CHIP	15K 5% 1/10W	R833	1-216-821-11	METAL CHIP 1K 5% 1/10W	
R656	1-216-835-11	METAL CHIP	15K 5% 1/10W	R834	1-216-825-11	METAL CHIP 2.2K 5% 1/10W	
R657	1-216-809-11	METAL CHIP	100 5% 1/10W	R835	1-216-825-11	METAL CHIP 2.2K 5% 1/10W	
R659	1-216-809-11	METAL CHIP	100 5% 1/10W	R836	1-216-829-11	METAL CHIP 4.7K 5% 1/10W	
R660	1-216-809-11	METAL CHIP	100 5% 1/10W	R837	1-216-833-11	METAL CHIP 10K 5% 1/10W	
R669	1-216-864-11	SHORT CHIP	0	R838	1-216-837-11	METAL CHIP 22K 5% 1/10W	
R670	1-216-864-11	SHORT CHIP	0	R839	1-216-841-11	METAL CHIP 47K 5% 1/10W	
*****						< SWITCH >	
				S809	1-786-763-11	SWITCH, TACTILE (▷)	
				S810	1-786-763-11	SWITCH, TACTILE (≡)	
				S811	1-786-763-11	SWITCH, TACTILE (DISC5)	

HCD-FX999W/FX1000W

Ver. 1.2

LED **MAIN**

Ref. No.	Part No.	Description	Remark	Ref. No.	Part No.	Description	Remark
S812	1-786-763-11	SWITCH, TACTILE (DISC4)		C182	1-115-185-11	CERAMIC CHIP 0.033uF 10%	50V
S813	1-786-763-11	SWITCH, TACTILE (DISC3)		C185	1-115-185-11	CERAMIC CHIP 0.033uF 10%	50V
S814	1-786-763-11	SWITCH, TACTILE (DISC2)		C186	1-115-185-11	CERAMIC CHIP 0.033uF 10%	50V
S815	1-786-763-11	SWITCH, TACTILE (DISC1)		C187	1-115-185-11	CERAMIC CHIP 0.033uF 10%	50V
S816	1-786-763-11	SWITCH, TACTILE (I/C)		C188	1-164-156-11	CERAMIC CHIP 0.1uF	25V

A-1111-256-A	MAIN BOARD, COMPLETE (FX999W:E3)						
A-1114-652-A	MAIN BOARD, COMPLETE (FX999W:SP)						
A-1114-777-A	MAIN BOARD, COMPLETE (FX999W:MX)						
A-1114-818-A	MAIN BOARD, COMPLETE (FX999W:E32)						
A-1114-840-A	MAIN BOARD, COMPLETE (FX999W:AUS)						
	refer to SUPPLEMENT-1 about FX999W:E13, TW and FX1000W						

7-685-647-79	SCREW +BVTP 3X10 TYPE2 IT-3						
	< CAPACITOR >						
C101	1-164-346-11	CERAMIC CHIP 1uF	16V	C211	1-136-177-00	FILM 1uF	5% 50V
C102	1-164-346-11	CERAMIC CHIP 1uF	16V	C212	1-136-177-00	FILM 1uF	5% 50V
C105	1-164-346-11	CERAMIC CHIP 1uF	16V	C215	1-136-177-00	FILM 1uF	5% 50V
C106	1-164-346-11	CERAMIC CHIP 1uF	16V	C216	1-136-177-00	FILM 1uF	5% 50V
C107	1-164-346-11	CERAMIC CHIP 1uF	16V	C217	1-136-177-00	FILM 1uF	5% 50V
C108	1-100-566-91	CERAMIC CHIP 0.1uF 10%	25V	C218	1-164-156-11	CERAMIC CHIP 0.1uF	25V
C109	1-100-566-91	CERAMIC CHIP 0.1uF 10%	25V	C221	1-136-177-00	FILM 1uF	5% 50V
C110	1-163-205-00	CERAMIC CHIP 0.001uF 10%	50V	C222	1-136-177-00	FILM 1uF	5% 50V
C111	1-164-346-11	CERAMIC CHIP 1uF	16V	C225	1-136-177-00	FILM 1uF	5% 50V
C112	1-164-346-11	CERAMIC CHIP 1uF	16V	C226	1-136-177-00	FILM 1uF	5% 50V
C115	1-164-346-11	CERAMIC CHIP 1uF	16V	C227	1-136-177-00	FILM 1uF	5% 50V
C116	1-164-346-11	CERAMIC CHIP 1uF	16V	C248	1-126-947-11	ELECT 47uF	20% 35V
C117	1-164-346-11	CERAMIC CHIP 1uF	16V	C251	1-162-966-11	CERAMIC CHIP 0.0022uF	10% 50V
C119	1-162-927-11	CERAMIC CHIP 100PF 5%	50V	C252	1-162-966-11	CERAMIC CHIP 0.0022uF	10% 50V
C120	1-126-947-11	ELECT 47uF 20%	35V	C255	1-162-966-11	CERAMIC CHIP 0.0022uF	10% 50V
C131	1-164-156-11	CERAMIC CHIP 0.1uF	25V	C256	1-162-966-11	CERAMIC CHIP 0.0022uF	10% 50V
C132	1-164-156-11	CERAMIC CHIP 0.1uF	25V	C257	1-162-966-11	CERAMIC CHIP 0.0022uF	10% 50V
C135	1-164-156-11	CERAMIC CHIP 0.1uF	25V	C261	1-162-966-11	CERAMIC CHIP 0.0022uF	10% 50V
C136	1-164-156-11	CERAMIC CHIP 0.1uF	25V	C262	1-162-966-11	CERAMIC CHIP 0.0022uF	10% 50V
C137	1-164-156-11	CERAMIC CHIP 0.1uF	25V	C265	1-162-966-11	CERAMIC CHIP 0.0022uF	10% 50V
C141	1-164-156-11	CERAMIC CHIP 0.1uF	25V	C266	1-162-966-11	CERAMIC CHIP 0.0022uF	10% 50V
C142	1-164-156-11	CERAMIC CHIP 0.1uF	25V	C267	1-162-966-11	CERAMIC CHIP 0.0022uF	10% 50V
C145	1-164-156-11	CERAMIC CHIP 0.1uF	25V	C268	1-163-021-91	CERAMIC CHIP 0.01uF	10% 50V
C146	1-164-156-11	CERAMIC CHIP 0.1uF	25V	C269	1-163-021-91	CERAMIC CHIP 0.01uF	10% 50V
C147	1-164-156-11	CERAMIC CHIP 0.1uF	25V	C271	1-125-898-91	CERAMIC CHIP 0.22uF	10% 50V
C151	1-115-185-11	CERAMIC CHIP 0.033uF 10%	50V	C272	1-125-898-91	CERAMIC CHIP 0.22uF	10% 50V
C152	1-115-185-11	CERAMIC CHIP 0.033uF 10%	50V	C273	1-125-898-91	CERAMIC CHIP 0.22uF	10% 50V
C155	1-115-185-11	CERAMIC CHIP 0.033uF 10%	50V	C274	1-125-898-91	CERAMIC CHIP 0.22uF	10% 50V
C156	1-115-185-11	CERAMIC CHIP 0.033uF 10%	50V	C275	1-163-021-91	CERAMIC CHIP 0.01uF	10% 50V
C157	1-115-185-11	CERAMIC CHIP 0.033uF 10%	50V	C276	1-163-021-91	CERAMIC CHIP 0.01uF	10% 50V
C161	1-125-898-91	CERAMIC CHIP 0.22uF 10%	50V	C277	1-163-021-91	CERAMIC CHIP 0.01uF	10% 50V
C162	1-125-898-91	CERAMIC CHIP 0.22uF 10%	50V	C278	1-163-021-91	CERAMIC CHIP 0.01uF	10% 50V
C165	1-125-898-91	CERAMIC CHIP 0.22uF 10%	50V	C279	1-163-009-91	CERAMIC CHIP 0.001uF	10% 50V
C166	1-125-898-91	CERAMIC CHIP 0.22uF 10%	50V	C280	1-163-009-91	CERAMIC CHIP 0.001uF	10% 50V
C167	1-125-898-91	CERAMIC CHIP 0.22uF 10%	50V	C281	1-162-966-11	CERAMIC CHIP 0.0022uF	10% 50V
C171	1-125-898-91	CERAMIC CHIP 0.22uF 10%	50V	C282	1-162-966-11	CERAMIC CHIP 0.0022uF	10% 50V
C172	1-125-898-91	CERAMIC CHIP 0.22uF 10%	50V	C283	1-162-966-11	CERAMIC CHIP 0.0022uF	10% 50V
C175	1-125-898-91	CERAMIC CHIP 0.22uF 10%	50V	C284	1-162-966-11	CERAMIC CHIP 0.0022uF	10% 50V
C176	1-125-898-91	CERAMIC CHIP 0.22uF 10%	50V	C289	1-162-966-11	CERAMIC CHIP 0.0022uF	10% 50V
C177	1-125-898-91	CERAMIC CHIP 0.22uF 10%	50V				
C181	1-115-185-11	CERAMIC CHIP 0.033uF 10%	50V				

Ref. No.	Part No.	Description			Remark	Ref. No.	Part No.	Description			Remark
C290	1-162-966-11	CERAMIC CHIP	0.0022uF	10%	50V	C402	1-162-927-11	CERAMIC CHIP	100PF	5%	50V
C291	1-162-966-11	CERAMIC CHIP	0.0022uF	10%	50V	C403	1-162-927-11	CERAMIC CHIP	100PF	5%	50V
C292	1-162-966-11	CERAMIC CHIP	0.0022uF	10%	50V	C404	1-162-927-11	CERAMIC CHIP	100PF	5%	50V
C293	1-162-966-11	CERAMIC CHIP	0.0022uF	10%	50V	C405	1-162-964-11	CERAMIC CHIP	0.001uF	10%	50V
C294	1-162-966-11	CERAMIC CHIP	0.0022uF	10%	50V	C406	1-162-968-11	CERAMIC CHIP	0.0047uF	10%	50V
C301	1-164-156-11	CERAMIC CHIP	0.1uF		25V	C436	1-162-927-11	CERAMIC CHIP	100PF	5%	50V
C302	1-164-156-11	CERAMIC CHIP	0.1uF		25V	C504	1-162-970-11	CERAMIC CHIP	0.01uF	10%	25V
C303	1-164-156-11	CERAMIC CHIP	0.1uF		25V	C505	1-107-826-11	CERAMIC CHIP	0.1uF	10%	16V
C304	1-164-156-11	CERAMIC CHIP	0.1uF		25V	C506	1-162-970-11	CERAMIC CHIP	0.01uF	10%	25V
C305	1-164-156-11	CERAMIC CHIP	0.1uF		25V	C511	1-162-964-11	CERAMIC CHIP	0.001uF	10%	50V
C306	1-164-156-11	CERAMIC CHIP	0.1uF		25V	C512	1-162-970-11	CERAMIC CHIP	0.01uF	10%	25V
C307	1-126-933-11	ELECT	100uF	20%	16V	C513	1-107-826-11	CERAMIC CHIP	0.1uF	10%	16V
C308	1-164-156-11	CERAMIC CHIP	0.1uF		25V	C514	1-107-826-11	CERAMIC CHIP	0.1uF	10%	16V
C309	1-164-156-11	CERAMIC CHIP	0.1uF		25V	C516	1-107-826-11	CERAMIC CHIP	0.1uF	10%	16V
C310	1-164-156-11	CERAMIC CHIP	0.1uF		25V	C517	1-126-964-11	ELECT	10uF	20%	50V
C320	1-164-156-11	CERAMIC CHIP	0.1uF		25V	C518	1-126-964-11	ELECT	10uF	20%	50V
C321	1-164-156-11	CERAMIC CHIP	0.1uF		25V	C524	1-107-826-11	CERAMIC CHIP	0.1uF	10%	16V
C322	1-164-156-11	CERAMIC CHIP	0.1uF		25V	C525	1-107-826-11	CERAMIC CHIP	0.1uF	10%	16V
C323	1-164-156-11	CERAMIC CHIP	0.1uF		25V	C526	1-126-947-11	ELECT	47uF	20%	35V
C324	1-164-156-11	CERAMIC CHIP	0.1uF		25V	C527	1-107-726-91	CERAMIC CHIP	0.01uF	10%	16V
C325	1-164-156-11	CERAMIC CHIP	0.1uF		25V	C528	1-107-826-11	CERAMIC CHIP	0.1uF	10%	16V
C326	1-164-156-11	CERAMIC CHIP	0.1uF		25V	C529	1-126-964-11	ELECT	10uF	20%	50V
C327	1-164-156-11	CERAMIC CHIP	0.1uF		25V	C530	1-107-826-11	CERAMIC CHIP	0.1uF	10%	16V
C328	1-164-156-11	CERAMIC CHIP	0.1uF		25V	C531	1-162-919-11	CERAMIC CHIP	22PF	5%	50V
C329	1-126-947-11	ELECT	47uF	20%	35V	C532	1-162-916-11	CERAMIC CHIP	12PF	5%	50V
C335	1-126-947-11	ELECT	47uF	20%	35V	C533	1-162-916-11	CERAMIC CHIP	12PF	5%	50V
C350	1-115-339-11	CERAMIC CHIP	0.1uF	10%	50V	C534	1-162-916-11	CERAMIC CHIP	12PF	5%	50V
C351	1-162-927-11	CERAMIC CHIP	100PF	5%	50V	C535	1-107-826-11	CERAMIC CHIP	0.1uF	10%	16V
C352	1-162-927-11	CERAMIC CHIP	100PF	5%	50V	C536	1-107-826-11	CERAMIC CHIP	0.1uF	10%	16V
C353	1-162-927-11	CERAMIC CHIP	100PF	5%	50V	C538	1-107-726-91	CERAMIC CHIP	0.01uF	10%	16V
C354	1-162-927-11	CERAMIC CHIP	100PF	5%	50V	C539	1-107-826-11	CERAMIC CHIP	0.1uF	10%	16V
C356	1-162-927-11	CERAMIC CHIP	100PF	5%	50V	C540	1-107-726-91	CERAMIC CHIP	0.01uF	10%	16V
C357	1-162-927-11	CERAMIC CHIP	100PF	5%	50V	C541	1-107-726-91	CERAMIC CHIP	0.01uF	10%	16V
C358	1-126-925-91	ELECT	470uF	20%	10V	C542	1-126-923-91	ELECT	220uF	20%	10V
C359	1-126-925-91	ELECT	470uF	20%	10V	C543	1-107-726-91	CERAMIC CHIP	0.01uF	10%	16V
C360	1-164-156-11	CERAMIC CHIP	0.1uF		25V	C544	1-126-964-11	ELECT	10uF	20%	50V
C361	1-126-947-11	ELECT	47uF	20%	35V	C545	1-107-826-11	CERAMIC CHIP	0.1uF	10%	16V
C362	1-104-658-91	ELECT	100uF	20%	10V	C546	1-107-726-91	CERAMIC CHIP	0.01uF	10%	16V
C363	1-164-156-11	CERAMIC CHIP	0.1uF		25V	C547	1-162-923-11	CERAMIC CHIP	47PF	5%	50V
C366	1-126-934-11	ELECT	220uF	20%	16V	C548	1-216-864-11	SHORT CHIP	0		
C367	1-164-156-11	CERAMIC CHIP	0.1uF		25V	C549	1-107-726-91	CERAMIC CHIP	0.01uF	10%	16V
C368	1-165-908-11	CERAMIC CHIP	1uF	10%	10V	C551	1-107-726-91	CERAMIC CHIP	0.01uF	10%	16V
C371	1-162-964-11	CERAMIC CHIP	0.001uF	10%	50V	C552	1-107-726-91	CERAMIC CHIP	0.01uF	10%	16V
C372	1-126-960-11	ELECT	1uF	20%	50V	C554	1-107-726-91	CERAMIC CHIP	0.01uF	10%	16V
C374	1-162-970-11	CERAMIC CHIP	0.01uF	10%	25V	C555	1-107-726-91	CERAMIC CHIP	0.01uF	10%	16V
C375	1-126-933-11	ELECT	100uF	20%	16V	C556	1-107-726-91	CERAMIC CHIP	0.01uF	10%	16V
C377	1-126-964-11	ELECT	10uF	20%	50V	C557	1-107-726-91	CERAMIC CHIP	0.01uF	10%	16V
C380	1-126-923-91	ELECT	220uF	20%	10V	C558	1-107-726-91	CERAMIC CHIP	0.01uF	10%	16V
C381	1-162-970-11	CERAMIC CHIP	0.01uF	10%	25V	C559	1-107-726-91	CERAMIC CHIP	0.01uF	10%	16V
C382	1-162-964-11	CERAMIC CHIP	0.001uF	10%	50V	C560	1-107-726-91	CERAMIC CHIP	0.01uF	10%	16V
C383	1-162-915-11	CERAMIC CHIP	10PF	0.5PF	50V	C561	1-107-726-91	CERAMIC CHIP	0.01uF	10%	16V
C384	1-162-910-11	CERAMIC CHIP	5PF	0.25PF	50V	C562	1-107-726-91	CERAMIC CHIP	0.01uF	10%	16V
C385	1-164-505-11	CERAMIC CHIP	2.2uF		16V	C563	1-107-726-91	CERAMIC CHIP	0.01uF	10%	16V
C391	1-164-505-11	CERAMIC CHIP	2.2uF		16V	C564	1-126-964-11	ELECT	10uF	20%	50V
C392	1-164-505-11	CERAMIC CHIP	2.2uF		16V	C565	1-107-726-91	CERAMIC CHIP	0.01uF	10%	16V
C395	1-164-505-11	CERAMIC CHIP	2.2uF		16V	C567	1-126-923-91	ELECT	220uF	20%	10V
C396	1-117-370-11	CERAMIC CHIP	10uF		10V	C568	1-107-826-11	CERAMIC CHIP	0.1uF	10%	16V
						C569	1-165-112-11	CERAMIC CHIP	0.33uF		16V

HCD-FX999W/FX1000W

MAIN

Ref. No.	Part No.	Description	Remark	Ref. No.	Part No.	Description	Remark
C570	1-107-826-11	CERAMIC CHIP	0.1uF 10% 16V	△C912	1-117-693-11	CERAMIC	100PF 10% 250V (EXCEPT FX999W:MX)
C571	1-107-826-11	CERAMIC CHIP	0.1uF 10% 16V	△C912	1-113-907-51	CERAMIC	0.0022uF 20% 250V (FX999W:MX)
C572	1-107-826-11	CERAMIC CHIP	0.1uF 10% 16V	△C913	1-117-693-11	CERAMIC	100PF 10% 250V
C575	1-107-726-91	CERAMIC CHIP	0.01uF 10% 16V	△C918	1-113-925-11	CERAMIC	0.01uF 20% 250V
C576	1-107-826-11	CERAMIC CHIP	0.1uF 10% 16V	△C920	1-113-925-11	CERAMIC	0.01uF 20% 250V
C577	1-162-961-11	CERAMIC CHIP	330PF 10% 50V	△C921	1-165-136-11	CERAMIC	3300PF 10% 500V
C580	1-126-916-11	ELECT	1000uF 20% 6.3V	△C922	1-128-560-11	ELECT	22uF 20% 100V
C582	1-104-658-91	ELECT	100uF 20% 10V	△C923	1-162-968-11	CERAMIC CHIP	0.0047uF 10% 50V
C583	1-115-467-11	CERAMIC CHIP	0.22uF 10% 10V	△C924	1-124-257-00	ELECT	2.2uF 20% 50V
C587	1-115-467-11	CERAMIC CHIP	0.22uF 10% 10V	△C925	1-107-974-81	CERAMIC	47PF 5% 2KV
C589	1-107-826-11	CERAMIC CHIP	0.1uF 10% 16V	△C928	1-113-896-11	CERAMIC	220PF 10% 250V
C594	1-107-826-11	CERAMIC CHIP	0.1uF 10% 16V	△C929	1-115-339-11	CERAMIC CHIP	0.1uF 10% 50V
C595	1-107-826-11	CERAMIC CHIP	0.1uF 10% 16V	C932	1-100-924-21	ELECT	2200uF 20% 35V
C596	1-126-947-11	ELECT	47uF 20% 35V	C933	1-100-924-21	ELECT	2200uF 20% 35V
C597	1-165-112-11	CERAMIC CHIP	0.33uF 16V	C934	1-107-898-11	ELECT	2200uF 20% 35V
C598	1-165-112-11	CERAMIC CHIP	0.33uF 16V	C935	1-165-319-11	CERAMIC CHIP	0.1uF 50V
C601	1-126-947-11	ELECT	47uF 20% 35V	C936	1-165-319-11	CERAMIC CHIP	0.1uF 50V
C602	1-107-826-11	CERAMIC CHIP	0.1uF 10% 16V	C937	1-100-756-91	CERAMIC CHIP	0.047uF 50V
C603	1-104-658-91	ELECT	100uF 20% 10V	△C938	1-113-898-11	CERAMIC	330PF 10% 250V (FX999W:MX)
C606	1-107-826-11	CERAMIC CHIP	0.1uF 10% 16V	△C938	1-117-698-51	CERAMIC	680PF 10% 250V (EXCEPT FX999W:MX)
C608	1-162-953-11	CERAMIC CHIP	100PF 5% 50V	C939	1-136-165-00	FILM	0.1uF 5% 50V
C614	1-107-726-91	CERAMIC CHIP	0.01uF 10% 16V	C940	1-128-947-31	ELECT	3300uF 20% 10V
C615	1-107-726-91	CERAMIC CHIP	0.01uF 10% 16V	C941	1-128-954-21	ELECT	1000uF 20% 25V
C712	1-107-826-11	CERAMIC CHIP	0.1uF 10% 16V	C942	1-126-941-11	ELECT	470uF 20% 25V
C716	1-107-826-11	CERAMIC CHIP	0.1uF 10% 16V	C943	1-126-933-11	ELECT	100uF 20% 16V
C762	1-107-826-11	CERAMIC CHIP	0.1uF 10% 16V	C944	1-128-951-21	ELECT	2200uF 20% 16V
C798	1-107-826-11	CERAMIC CHIP	0.1uF 10% 16V	C945	1-126-935-11	ELECT	470uF 20% 16V
C799	1-107-826-11	CERAMIC CHIP	0.1uF 10% 16V	C946	1-128-950-21	ELECT	1000uF 20% 16V
C855	1-107-826-11	CERAMIC CHIP	0.1uF 10% 16V	C947	1-104-658-91	ELECT	100uF 20% 10V
C856	1-107-826-11	CERAMIC CHIP	0.1uF 10% 16V	C948	1-126-925-91	ELECT	470uF 20% 10V
C875	1-162-970-11	CERAMIC CHIP	0.01uF 10% 25V	C949	1-165-722-31	ELECT	100uF 20% 10V
△C901	1-165-529-11	MYLAR	0.22uF 10 275V	C951	1-100-566-91	CERAMIC CHIP	0.1uF 10% 25V
△C902	1-165-529-11	MYLAR	0.22uF 10 275V	C952	1-100-756-91	CERAMIC CHIP	0.047uF 50V
△C903	1-112-331-11	ELECT (BLOCK)	1000uF 20% 250V (FX999W:MX)	C953	1-117-214-11	CERAMIC	0.001uF 10% 2KV
△C903	1-112-333-11	ELECT (BLOCK)	330uF 20% 450V (EXCEPT FX999W:MX)	C954	1-100-566-91	CERAMIC CHIP	0.1uF 10% 25V
△C905	1-112-334-91	FILM	0.01uF 5% 400V (FX999W:MX)	C955	1-100-566-91	CERAMIC CHIP	0.1uF 10% 25V
△C905	1-112-335-91	FILM	0.0033uF 5% 400V (EXCEPT FX999W:MX)	C958	1-100-566-91	CERAMIC CHIP	0.1uF 10% 25V
△C906	1-117-631-11	CAP, METALIZED PP FILM	3300PF 3% 1.2KV (FX999W:MX)	C960	1-100-566-91	CERAMIC CHIP	0.1uF 10% 25V
△C906	1-117-815-11	FILM	1000PF 3% 1.5KV (EXCEPT FX999W:MX)	△C963	1-117-698-51	CERAMIC	680PF 10% 250V (FX999W:MX)
△C907	1-162-964-11	CERAMIC CHIP	0.001uF 10% 50V (EXCEPT FX999W:MX)	△C963	1-117-699-11	CERAMIC	0.001uF 99% 250V (EXCEPT FX999W:MX)
0 C907	1-162-965-11	CERAMIC CHIP	0.0015uF 10% 50V (FX999W:MX)	△C964	1-117-698-51	CERAMIC	680PF 10% 250V (FX999W:MX)
△C908	1-107-909-11	ELECT	47uF 20% 50V	△C964	1-117-699-11	CERAMIC	0.001uF 99% 250V (EXCEPT FX999W:MX)
△C909	1-162-960-11	CERAMIC CHIP	220PF 10% 50V	△C965	1-113-896-11	CERAMIC	220PF 10% 250V (EXCEPT FX999W:MX)
△C910	1-107-906-11	ELECT	10uF 20% 50V (FX999W:MX)	△C966	1-113-896-11	CERAMIC	220PF 10% 250V (EXCEPT FX999W:MX)
△C910	1-107-907-11	ELECT	22uF 20% 50V (FX999W:E3, SP, AUS)	C967	1-100-566-91	CERAMIC CHIP	0.1uF 10% 25V
△C910	1-107-909-11	ELECT	47uF 20% 50V (FX999W:E32)	C968	1-100-566-91	CERAMIC CHIP	0.1uF 10% 25V
△C911	1-162-968-11	CERAMIC CHIP	0.0047uF 10% 50V	< CONNECTOR >			
				CN300	1-564-704-11	PIN, CONNECTOR (SMALL TYPE) 2P	

Ref. No.	Part No.	Description	Remark	Ref. No.	Part No.	Description	Remark
* CN309	1-568-954-11	PIN, CONNECTOR 5P		EB905	1-537-770-21	TERMINAL BOARD, GROUND	
CN502	1-784-384-11	CONNECTOR, FFC/FPC 27P		EB906	1-537-770-21	TERMINAL BOARD, GROUND	
CN504	1-784-370-21	CONNECTOR, FFC/FPC 11P		EB907	1-537-770-21	TERMINAL BOARD, GROUND	
CN505	1-784-370-21	CONNECTOR, FFC/FPC 11P		EB908	1-537-770-21	TERMINAL BOARD, GROUND	
CN507	1-793-991-11	FFC/CONNECTOR, FPC (LIF (NON-ZIF)) 23P		EB910	1-537-770-21	TERMINAL BOARD, GROUND	
CN509	1-779-287-11	CONNECTOR, FFC (LIF (NON-ZIF)) 19P		EB911	1-537-770-21	TERMINAL BOARD, GROUND	
CN512	1-784-370-21	CONNECTOR, FFC/FPC 11P				< FERRITE BEAD >	
CN901	1-564-321-00	PIN, CONNECTOR (3.96mm PITCH) 2P		FB301	1-469-760-21	FERRITE, EMI (SMD) (2012)	
CN902	1-564-505-11	PLUG, CONNECTOR 2P		FB302	1-216-295-91	SHORT CHIP 0	
		< DIODE >		FB501	1-216-295-91	SHORT CHIP 0	
D101	6-500-260-01	DIODE P6SMB39AT3		FB509	1-469-121-21	FERRITE, EMI (SMD) (1608)	
D102	6-500-260-01	DIODE P6SMB39AT3		FB511	1-216-295-91	SHORT CHIP 0	
D105	6-500-260-01	DIODE P6SMB39AT3		FB512	1-216-295-91	SHORT CHIP 0	
D106	6-500-260-01	DIODE P6SMB39AT3		△FB902	1-410-396-41	FERRITE 0.45uH (FX999W:MX)	
D107	6-500-260-01	DIODE P6SMB39AT3		△FB905	1-410-396-41	FERRITE 0.45uH	(EXCEPT FX999W:E32)
D201	6-500-260-01	DIODE P6SMB39AT3				< IC >	
D202	6-500-260-01	DIODE P6SMB39AT3		IC101	6-704-802-01	IC CXD9774M (FX999W:E32)	
D205	6-500-260-01	DIODE P6SMB39AT3		IC101	6-705-695-01	IC CXD9775M (EXCEPT FX999W:E32)	
D206	6-500-260-01	DIODE P6SMB39AT3		IC102	6-704-802-01	IC CXD9774M (FX999W:E32)	
D207	6-500-260-01	DIODE P6SMB39AT3		IC102	6-705-695-01	IC CXD9775M (EXCEPT FX999W:E32)	
D303	6-501-193-01	DIODE 1SS355WTE-17		IC105	6-704-802-01	IC CXD9774M (FX999W:E32)	
D304	6-501-193-01	DIODE 1SS355WTE-17		IC105	6-705-695-01	IC CXD9775M (EXCEPT FX999W:E32)	
D503	6-501-193-01	DIODE 1SS355WTE-17		IC106	6-704-802-01	IC CXD9774M (FX999W:E32)	
D504	6-501-193-01	DIODE 1SS355WTE-17		IC106	6-705-695-01	IC CXD9775M (EXCEPT FX999W:E32)	
D505	6-501-193-01	DIODE 1SS355WTE-17		IC107	6-704-802-01	IC CXD9774M (FX999W:E32)	
D506	6-501-193-01	DIODE 1SS355WTE-17		IC107	6-705-695-01	IC CXD9775M (EXCEPT FX999W:E32)	
D509	6-501-193-01	DIODE 1SS355WTE-17		IC108	6-707-939-01	IC CXD9843AR	
D510	6-501-193-01	DIODE 1SS355WTE-17		IC110	6-707-939-01	IC CXD9843AR	
△D901	8-719-082-57	DIODE D5SBA60F01		IC301	6-705-720-01	IC RC4580IDR	
△D905	8-719-063-74	DIODE D1NL20U-TR2		IC303	6-702-300-01	IC TK11118CSCL-G	
△D906	6-501-193-01	DIODE 1SS355WTE-17		IC305	8-759-649-50	IC SN74AHC1GU04DCKR	
△D907	6-501-193-01	DIODE 1SS355WTE-17		IC501	6-707-608-01	IC PCM1803DBR	
△D908	6-501-193-01	DIODE 1SS355WTE-17		IC502	8-759-649-46	IC SN74AHC1G08DCKR	
△D909	6-501-193-01	DIODE 1SS355WTE-17		IC504	6-707-095-01	IC BH2210FV-E2	
△D910	6-501-193-01	DIODE 1SS355WTE-17		IC505	8-759-825-15	IC LC89056W-E	
△D913	6-500-241-01	DIODE SARS03		IC506	6-707-754-01	IC CXD9862R	
△D914	6-501-193-01	DIODE 1SS355WTE-17		IC507	6-704-037-01	IC IC61LV6416-15TG	
△D915	8-719-977-28	DIODE DTZ10B		IC508	6-707-485-01	IC NJM2885DL1-18 (TE2)	
△D921	8-719-948-45	DIODE ERA22-08		IC509	6-805-474-01	IC M30622MGP-A14FPU0	
△D922	8-719-063-74	DIODE D1NL20U-TR2		IC510	6-707-095-01	IC BH2210FV-E2	
△D923	8-719-977-28	DIODE DTZ10B		IC511	6-701-680-01	IC PST3629NR	
△D924	8-719-083-69	DIODE UDZSTE-1724B		IC513	6-707-800-01	IC SRC4182	
△D925	8-719-069-54	DIODE UDZSTE-175.1B		IC514	8-759-549-07	IC SN74LV157APWR	
△D926	8-719-083-69	DIODE UDZSTE-1724B		IC515	6-703-550-01	IC TA7809LS	
D931	6-500-383-01	DIODE YG906C2R		IC516	6-703-547-01	IC TA7805LS	
D932	8-719-069-54	DIODE UDZSTE-175.1B		IC517	8-759-649-50	IC SN74AHC1GU04DCKR	
D941	8-719-063-74	DIODE D1NL20U-TR2		△IC901	6-707-741-01	IC STR-F6138-LF1352 (FX999W:MX)	
D942	8-719-080-53	DIODE RK36LF-B3		△IC901	6-707-742-11	IC STR-F6168-LF1352 (EXCEPT FX999W:MX)	
D943	8-719-080-53	DIODE RK36LF-B3		△IC921	6-707-740-01	IC STR-V153	
D944	6-500-288-11	DIODE EK19LF-F7		IC931	8-759-648-34	IC TA76431AS (TPE6)	
D945	8-719-083-67	DIODE UDZSTE-1720B		IC941	6-707-746-01	IC SI-3120KM-TL	
		< TERMINAL BOARD >		IC942	6-707-745-10	IC SI-3050KM-TL	
EB901	1-537-770-21	TERMINAL BOARD, GROUND (FX999W:MX)		IC943	6-707-744-01	IC SI-3033KM-TL	
EB902	1-537-770-21	TERMINAL BOARD, GROUND		IC951	6-707-743-01	IC TA76L431S (TPE6, Q)	
EB903	1-537-770-21	TERMINAL BOARD, GROUND					
EB904	1-537-770-21	TERMINAL BOARD, GROUND					

HCD-FX999W/FX1000W

MAIN

Ref. No.	Part No.	Description	Remark	Ref. No.	Part No.	Description	Remark
< TERMINAL BOARD >							
J202	1-780-203-11	TERMINAL BOARD (SP) (2P) (SPEAKER)		Q112	8-729-600-22	TRANSISTOR	2SA1235-F
J203	1-780-224-11	TERMINAL BOARD (SP) (2P) (SPEAKER)		Q301	8-729-120-28	TRANSISTOR	2SC1623-L5L6
< COIL >							
L101	1-457-078-11	AIR-CORE COIL		Q302	8-729-120-28	TRANSISTOR	2SC1623-L5L6
L102	1-457-078-11	AIR-CORE COIL		Q303	6-550-702-01	TRANSISTOR	2SC3243-TP-E
L105	1-457-078-11	AIR-CORE COIL		Q304	8-729-120-28	TRANSISTOR	2SC1623-L5L6
L106	1-457-078-11	AIR-CORE COIL		Q506	8-729-120-28	TRANSISTOR	2SC1623-L5L6
L107	1-414-398-11	INDUCTOR	10uH	Q507	8-729-027-23	TRANSISTOR	DTA114EKA-T146
L111	1-457-077-11	AIR-CORE COIL		Q901	8-729-140-04	TRANSISTOR	2SB1116A-L
L112	1-457-077-11	AIR-CORE COIL		Q921	8-729-142-51	TRANSISTOR	2SD1616A-TP-LK
L115	1-457-077-11	AIR-CORE COIL		Q943	1-801-806-11	TRANSISTOR	DTC144EKA
L116	1-457-077-11	AIR-CORE COIL		Q945	6-550-718-01	TRANSISTOR	RSR025N03TL
L121	1-456-680-11	INDUCTOR	10uH	Q947	1-801-806-11	TRANSISTOR	DTC144EKA
L122	1-456-680-11	INDUCTOR	10uH	< RESISTOR >			
L125	1-456-680-11	INDUCTOR	10uH	R108	1-216-837-11	METAL CHIP	22K 5% 1/10W
L126	1-456-680-11	INDUCTOR	10uH	R109	1-216-837-11	METAL CHIP	22K 5% 1/10W
L127	1-456-680-11	INDUCTOR	10uH	R110	1-216-837-11	METAL CHIP	22K 5% 1/10W
L131	1-456-680-11	INDUCTOR	10uH	R111	1-216-837-11	METAL CHIP	22K 5% 1/10W
L132	1-456-680-11	INDUCTOR	10uH	R116	1-216-837-11	METAL CHIP	22K 5% 1/10W
L135	1-456-680-11	INDUCTOR	10uH	R117	1-216-837-11	METAL CHIP	22K 5% 1/10W
L136	1-456-680-11	INDUCTOR	10uH	R118	1-216-837-11	METAL CHIP	22K 5% 1/10W
L137	1-456-680-11	INDUCTOR	10uH	R119	1-216-837-11	METAL CHIP	22K 5% 1/10W
L301	1-414-754-11	INDUCTOR	10uH	R120	1-216-837-11	METAL CHIP	22K 5% 1/10W
L302	1-412-939-11	INDUCTOR	1uH	R128	1-216-837-11	METAL CHIP	22K 5% 1/10W
L303	1-469-527-91	INDUCTOR	47uH	R131	1-216-864-11	SHORT CHIP	0
L501	1-414-754-11	INDUCTOR	10uH	R132	1-216-864-11	SHORT CHIP	0
L502	1-414-754-11	INDUCTOR	10uH	R135	1-216-864-11	SHORT CHIP	0
L503	1-216-295-91	SHORT CHIP	0	R136	1-216-864-11	SHORT CHIP	0
L504	1-216-295-91	SHORT CHIP	0	R137	1-216-864-11	SHORT CHIP	0
L931	1-457-058-11	INDUCTOR	10.8uH	R138	1-216-864-11	SHORT CHIP	0
L941	1-414-398-11	INDUCTOR	10uH	R139	1-216-864-11	SHORT CHIP	0
L942	1-414-398-11	INDUCTOR	10uH	R141	1-216-864-11	SHORT CHIP	0
L945	1-414-398-11	INDUCTOR	10uH	R142	1-216-864-11	SHORT CHIP	0
L946	1-414-398-11	INDUCTOR	10uH	R145	1-216-864-11	SHORT CHIP	0
L947	1-414-398-11	INDUCTOR	10uH	R146	1-216-864-11	SHORT CHIP	0
L948	1-414-398-11	INDUCTOR	10uH	R147	1-216-864-11	SHORT CHIP	0
L951	1-414-398-11	INDUCTOR	10uH	R151	1-216-864-11	SHORT CHIP	0
< LINE FILTER >							
△ LF901	1-457-054-11	LINE FILTER COIL (FX999W:MX, E32)		R152	1-216-864-11	SHORT CHIP	0
△ LF901	1-457-079-11	LINE FILTER COIL (FX999W:E3, SP, AUS)		R155	1-216-864-11	SHORT CHIP	0
< IC >							
△ PC901	6-600-438-01	IC TLP421F (D4-GR)		R156	1-216-864-11	SHORT CHIP	0
△ PC902	6-600-438-01	IC TLP421F (D4-GR)		R157	1-216-864-11	SHORT CHIP	0
△ PC903	6-600-438-01	IC TLP421F (D4-GR)		R161	1-216-864-11	SHORT CHIP	0
< TRANSISTOR >							
Q101	8-729-600-22	TRANSISTOR	2SA1235-F	R162	1-216-864-11	SHORT CHIP	0
Q102	8-729-600-22	TRANSISTOR	2SA1235-F	R165	1-216-864-11	SHORT CHIP	0
Q103	8-729-600-22	TRANSISTOR	2SA1235-F	R166	1-216-864-11	SHORT CHIP	0
Q104	8-729-600-22	TRANSISTOR	2SA1235-F	R167	1-216-864-11	SHORT CHIP	0
Q109	8-729-600-22	TRANSISTOR	2SA1235-F	R171	1-216-864-11	SHORT CHIP	0
Q110	8-729-600-22	TRANSISTOR	2SA1235-F	R172	1-216-864-11	SHORT CHIP	0
Q111	8-729-600-22	TRANSISTOR	2SA1235-F	R175	1-216-864-11	SHORT CHIP	0
				R176	1-216-864-11	SHORT CHIP	0
				R177	1-216-864-11	SHORT CHIP	0
				R191	1-220-942-11	METAL CHIP	3.3 1% 1/4W
				R192	1-220-942-11	METAL CHIP	3.3 1% 1/4W
				R195	1-220-942-11	METAL CHIP	3.3 1% 1/4W
				R196	1-220-942-11	METAL CHIP	3.3 1% 1/4W
				R197	1-220-942-11	METAL CHIP	3.3 1% 1/4W
				R201	1-220-942-11	METAL CHIP	3.3 1% 1/4W
				R202	1-220-942-11	METAL CHIP	3.3 1% 1/4W

Ref. No.	Part No.	Description			Remark	Ref. No.	Part No.	Description			Remark
R205	1-220-942-11	METAL CHIP	3.3	1%	1/4W	R345	1-216-833-11	METAL CHIP	10K	5%	1/10W
R206	1-220-942-11	METAL CHIP	3.3	1%	1/4W	R346	1-216-817-11	METAL CHIP	470	5%	1/10W
R207	1-220-942-11	METAL CHIP	3.3	1%	1/4W	R347	1-216-833-11	METAL CHIP	10K	5%	1/10W
R211	1-216-136-00	RES-CHIP	2.7	5%	1/8W	R348	1-216-817-11	METAL CHIP	470	5%	1/10W
R212	1-216-136-00	RES-CHIP	2.7	5%	1/8W	R349	1-216-825-11	METAL CHIP	2.2K	5%	1/10W
R215	1-216-136-00	RES-CHIP	2.7	5%	1/8W	R350	1-216-825-11	METAL CHIP	2.2K	5%	1/10W
R216	1-216-136-00	RES-CHIP	2.7	5%	1/8W	R351	1-216-809-11	METAL CHIP	100	5%	1/10W
R217	1-216-136-00	RES-CHIP	2.7	5%	1/8W	R353	1-216-809-11	METAL CHIP	100	5%	1/10W
R221	1-216-136-00	RES-CHIP	2.7	5%	1/8W	R355	1-216-809-11	METAL CHIP	100	5%	1/10W
R222	1-216-136-00	RES-CHIP	2.7	5%	1/8W	R356	1-216-803-11	METAL CHIP	33	5%	1/10W
R225	1-216-136-00	RES-CHIP	2.7	5%	1/8W	R358	1-216-803-11	METAL CHIP	33	5%	1/10W
R226	1-216-136-00	RES-CHIP	2.7	5%	1/8W	R361	1-216-845-11	METAL CHIP	100K	5%	1/10W
R227	1-216-136-00	RES-CHIP	2.7	5%	1/8W	R362	1-216-845-11	METAL CHIP	100K	5%	1/10W
R241	1-216-809-11	METAL CHIP	100	5%	1/10W	R365	1-216-845-11	METAL CHIP	100K	5%	1/10W
R242	1-216-809-11	METAL CHIP	100	5%	1/10W	R366	1-216-845-11	METAL CHIP	100K	5%	1/10W
R245	1-216-809-11	METAL CHIP	100	5%	1/10W	R371	1-216-818-11	METAL CHIP	560	5%	1/10W
R246	1-216-809-11	METAL CHIP	100	5%	1/10W	R372	1-216-818-11	METAL CHIP	560	5%	1/10W
R247	1-216-809-11	METAL CHIP	100	5%	1/10W	R373	1-216-818-11	METAL CHIP	560	5%	1/10W
R300	1-216-809-11	METAL CHIP	100	5%	1/10W	R374	1-216-818-11	METAL CHIP	560	5%	1/10W
R302	1-216-809-11	METAL CHIP	100	5%	1/10W	R379	1-216-818-11	METAL CHIP	560	5%	1/10W
R303	1-216-809-11	METAL CHIP	100	5%	1/10W	R380	1-216-818-11	METAL CHIP	560	5%	1/10W
R304	1-216-809-11	METAL CHIP	100	5%	1/10W	R381	1-216-818-11	METAL CHIP	560	5%	1/10W
R305	1-216-809-11	METAL CHIP	100	5%	1/10W	R382	1-216-818-11	METAL CHIP	560	5%	1/10W
R306	1-216-809-11	METAL CHIP	100	5%	1/10W	R383	1-216-818-11	METAL CHIP	560	5%	1/10W
R308	1-216-809-11	METAL CHIP	100	5%	1/10W	R384	1-216-818-11	METAL CHIP	560	5%	1/10W
R309	1-216-809-11	METAL CHIP	100	5%	1/10W	R393	1-216-801-11	METAL CHIP	22	5%	1/10W
R310	1-216-809-11	METAL CHIP	100	5%	1/10W	R394	1-216-857-11	METAL CHIP	1M	5%	1/10W
R311	1-216-809-11	METAL CHIP	100	5%	1/10W	R395	1-216-845-11	METAL CHIP	100K	5%	1/10W
R312	1-216-809-11	METAL CHIP	100	5%	1/10W	R396	1-216-809-11	METAL CHIP	100	5%	1/10W
R313	1-216-864-11	SHORT CHIP	0			R400	1-216-845-11	METAL CHIP	100K	5%	1/10W
R314	1-216-809-11	METAL CHIP	100	5%	1/10W	R401	1-216-845-11	METAL CHIP	100K	5%	1/10W
R315	1-216-809-11	METAL CHIP	100	5%	1/10W	R402	1-216-845-11	METAL CHIP	100K	5%	1/10W
R316	1-216-817-11	METAL CHIP	470	5%	1/10W	R403	1-216-845-11	METAL CHIP	100K	5%	1/10W
R317	1-216-817-11	METAL CHIP	470	5%	1/10W	R404	1-216-845-11	METAL CHIP	100K	5%	1/10W
R319	1-216-833-11	METAL CHIP	10K	5%	1/10W	R409	1-216-845-11	METAL CHIP	100K	5%	1/10W
R320	1-216-864-11	SHORT CHIP	0			R410	1-216-845-11	METAL CHIP	100K	5%	1/10W
R321	1-216-864-11	SHORT CHIP	0			R411	1-216-845-11	METAL CHIP	100K	5%	1/10W
R322	1-216-833-11	METAL CHIP	10K	5%	1/10W	R412	1-216-845-11	METAL CHIP	100K	5%	1/10W
R323	1-216-864-11	SHORT CHIP	0			R424	1-216-823-11	METAL CHIP	1.5K	5%	1/10W
R325	1-216-864-11	SHORT CHIP	0			R426	1-216-833-11	METAL CHIP	10K	5%	1/10W
R326	1-216-864-11	SHORT CHIP	0			R427	1-216-833-11	METAL CHIP	10K	5%	1/10W
R328	1-216-864-11	SHORT CHIP	0			R428	1-216-825-11	METAL CHIP	2.2K	5%	1/10W
R329	1-216-864-11	SHORT CHIP	0			R429	1-216-822-11	METAL CHIP	1.2K	5%	1/10W
R330	1-216-837-11	METAL CHIP	22K	5%	1/10W	R430	1-216-833-11	METAL CHIP	10K	5%	1/10W
R331	1-216-837-11	METAL CHIP	22K	5%	1/10W	R431	1-216-845-11	METAL CHIP	100K	5%	1/10W
R332	1-216-837-11	METAL CHIP	22K	5%	1/10W	R450	1-216-833-11	METAL CHIP	10K	5%	1/10W
R333	1-216-837-11	METAL CHIP	22K	5%	1/10W	R451	1-216-833-11	METAL CHIP	10K	5%	1/10W
R334	1-216-837-11	METAL CHIP	22K	5%	1/10W	R452	1-216-833-11	METAL CHIP	10K	5%	1/10W
R335	1-216-837-11	METAL CHIP	22K	5%	1/10W	R453	1-216-833-11	METAL CHIP	10K	5%	1/10W
R336	1-216-837-11	METAL CHIP	22K	5%	1/10W	R456	1-216-833-11	METAL CHIP	10K	5%	1/10W
R337	1-216-837-11	METAL CHIP	22K	5%	1/10W	R457	1-216-833-11	METAL CHIP	10K	5%	1/10W
R338	1-216-837-11	METAL CHIP	22K	5%	1/10W	R458	1-216-833-11	METAL CHIP	10K	5%	1/10W
R339	1-216-837-11	METAL CHIP	22K	5%	1/10W	R459	1-216-833-11	METAL CHIP	10K	5%	1/10W
R340	1-216-839-11	METAL CHIP	33K	5%	1/10W	R468	1-216-864-11	SHORT CHIP	0		
R341	1-216-839-11	METAL CHIP	33K	5%	1/10W	R469	1-216-864-11	SHORT CHIP	0		
R342	1-216-864-11	SHORT CHIP	0			R472	1-216-864-11	SHORT CHIP	0		
R343	1-216-864-11	SHORT CHIP	0			R473	1-216-864-11	SHORT CHIP	0		
						R474	1-216-864-11	SHORT CHIP	0		

HCD-FX999W/FX1000W

MAIN

Ref. No.	Part No.	Description	Remark	Ref. No.	Part No.	Description	Remark
R475	1-216-864-11	SHORT CHIP	0	R553	1-216-809-11	METAL CHIP	100 5% 1/10W
R478	1-216-864-11	SHORT CHIP	0	R554	1-216-809-11	METAL CHIP	100 5% 1/10W
R479	1-216-864-11	SHORT CHIP	0	R555	1-216-830-11	METAL CHIP	5.6K 5% 1/10W
R480	1-216-864-11	SHORT CHIP	0	R556	1-216-809-11	METAL CHIP	100 5% 1/10W
R481	1-216-833-11	METAL CHIP	10K 5% 1/10W	R557	1-216-829-11	METAL CHIP	4.7K 5% 1/10W
R482	1-216-833-11	METAL CHIP	10K 5% 1/10W	R558	1-216-839-11	METAL CHIP	33K 5% 1/10W
R483	1-216-833-11	METAL CHIP	10K 5% 1/10W	R559	1-216-821-11	METAL CHIP	1K 5% 1/10W
R484	1-216-833-11	METAL CHIP	10K 5% 1/10W	R560	1-216-809-11	METAL CHIP	100 5% 1/10W
R487	1-216-833-11	METAL CHIP	10K 5% 1/10W	R561	1-216-809-11	METAL CHIP	100 5% 1/10W
R488	1-216-833-11	METAL CHIP	10K 5% 1/10W	R563	1-216-809-11	METAL CHIP	100 5% 1/10W
R489	1-216-833-11	METAL CHIP	10K 5% 1/10W	R564	1-216-809-11	METAL CHIP	100 5% 1/10W
R490	1-216-833-11	METAL CHIP	10K 5% 1/10W	R565	1-216-809-11	METAL CHIP	100 5% 1/10W
R502	1-216-864-11	SHORT CHIP	0	R566	1-216-833-11	METAL CHIP	10K 5% 1/10W
R504	1-216-809-11	METAL CHIP	100 5% 1/10W	R567	1-216-809-11	METAL CHIP	100 5% 1/10W
R505	1-216-809-11	METAL CHIP	100 5% 1/10W	R568	1-216-809-11	METAL CHIP	100 5% 1/10W
R506	1-216-809-11	METAL CHIP	100 5% 1/10W	R569	1-216-857-11	METAL CHIP	1M 5% 1/10W
R507	1-216-809-11	METAL CHIP	100 5% 1/10W	R572	1-216-809-11	METAL CHIP	100 5% 1/10W
R508	1-216-809-11	METAL CHIP	100 5% 1/10W	R573	1-216-809-11	METAL CHIP	100 5% 1/10W
R510	1-216-809-11	METAL CHIP	100 5% 1/10W	R574	1-216-809-11	METAL CHIP	100 5% 1/10W
R511	1-216-809-11	METAL CHIP	100 5% 1/10W	R575	1-216-809-11	METAL CHIP	100 5% 1/10W
R512	1-216-809-11	METAL CHIP	100 5% 1/10W	R577	1-216-835-11	METAL CHIP	15K 5% 1/10W
R514	1-216-821-11	METAL CHIP	1K 5% 1/10W	R578	1-216-809-11	METAL CHIP	100 5% 1/10W
R515	1-216-809-11	METAL CHIP	100 5% 1/10W	R580	1-216-833-11	METAL CHIP	10K 5% 1/10W
R516	1-216-809-11	METAL CHIP	100 5% 1/10W	R581	1-216-809-11	METAL CHIP	100 5% 1/10W
R517	1-216-809-11	METAL CHIP	100 5% 1/10W	R582	1-216-809-11	METAL CHIP	100 5% 1/10W
R518	1-216-809-11	METAL CHIP	100 5% 1/10W	R583	1-216-809-11	METAL CHIP	100 5% 1/10W
R519	1-216-809-11	METAL CHIP	100 5% 1/10W	R584	1-216-809-11	METAL CHIP	100 5% 1/10W
R520	1-216-809-11	METAL CHIP	100 5% 1/10W	R585	1-216-809-11	METAL CHIP	100 5% 1/10W
R521	1-216-833-11	METAL CHIP	10K 5% 1/10W	R586	1-216-809-11	METAL CHIP	100 5% 1/10W
R522	1-216-809-11	METAL CHIP	100 5% 1/10W	R587	1-216-809-11	METAL CHIP	100 5% 1/10W
R525	1-216-809-11	METAL CHIP	100 5% 1/10W	R588	1-216-809-11	METAL CHIP	100 5% 1/10W
R526	1-216-827-11	METAL CHIP	3.3K 5% 1/10W	R589	1-216-821-11	METAL CHIP	1K 5% 1/10W
R527	1-216-809-11	METAL CHIP	100 5% 1/10W	R590	1-216-809-11	METAL CHIP	100 5% 1/10W
R528	1-216-809-11	METAL CHIP	100 5% 1/10W	R591	1-216-809-11	METAL CHIP	100 5% 1/10W
R529	1-216-809-11	METAL CHIP	100 5% 1/10W	R594	1-216-809-11	METAL CHIP	100 5% 1/10W
R530	1-216-809-11	METAL CHIP	100 5% 1/10W	R595	1-216-809-11	METAL CHIP	100 5% 1/10W
R531	1-216-857-11	METAL CHIP	1M 5% 1/10W	R596	1-216-821-11	METAL CHIP	1K 5% 1/10W
R532	1-216-821-11	METAL CHIP	1K 5% 1/10W	R596	1-216-833-11	METAL CHIP	10K 5% 1/10W (FX999W:SP)
R533	1-216-809-11	METAL CHIP	100 5% 1/10W	R596	1-216-835-11	METAL CHIP	15K 5% 1/10W (FX999W:E3)
R534	1-216-809-11	METAL CHIP	100 5% 1/10W	R596	1-216-841-11	METAL CHIP	47K 5% 1/10W (FX999W:MX, E32)
R535	1-216-821-11	METAL CHIP	1K 5% 1/10W	R597	1-216-809-11	METAL CHIP	100 5% 1/10W
R536	1-216-821-11	METAL CHIP	1K 5% 1/10W	R598	1-216-809-11	METAL CHIP	100 5% 1/10W
R537	1-216-809-11	METAL CHIP	100 5% 1/10W	R599	1-216-809-11	METAL CHIP	100 5% 1/10W
R538	1-216-295-91	SHORT CHIP	0	R600	1-216-809-11	METAL CHIP	100 5% 1/10W
R540	1-216-809-11	METAL CHIP	100 5% 1/10W	R601	1-216-809-11	METAL CHIP	100 5% 1/10W
R541	1-216-809-11	METAL CHIP	100 5% 1/10W	R602	1-216-809-11	METAL CHIP	100 5% 1/10W
R542	1-216-809-11	METAL CHIP	100 5% 1/10W	R603	1-216-809-11	METAL CHIP	100 5% 1/10W
R543	1-216-809-11	METAL CHIP	100 5% 1/10W	R604	1-216-817-11	METAL CHIP	470 5% 1/10W
R544	1-216-809-11	METAL CHIP	100 5% 1/10W	R605	1-216-817-11	METAL CHIP	470 5% 1/10W
R545	1-216-809-11	METAL CHIP	100 5% 1/10W	R606	1-216-819-11	METAL CHIP	680 5% 1/10W
R546	1-216-809-11	METAL CHIP	100 5% 1/10W	R607	1-216-819-11	METAL CHIP	680 5% 1/10W
R547	1-216-809-11	METAL CHIP	100 5% 1/10W	R608	1-216-809-11	METAL CHIP	100 5% 1/10W
R548	1-216-809-11	METAL CHIP	100 5% 1/10W	R609	1-216-864-11	SHORT CHIP	0
R549	1-216-809-11	METAL CHIP	100 5% 1/10W	R611	1-216-833-11	METAL CHIP	10K 5% 1/10W
R550	1-216-864-11	SHORT CHIP	0				
R551	1-216-821-11	METAL CHIP	1K 5% 1/10W				
R552	1-216-809-11	METAL CHIP	100 5% 1/10W				

Ref. No.	Part No.	Description			Remark	Ref. No.	Part No.	Description			Remark
R612	1-216-833-11	METAL CHIP	10K	5%	1/10W	R700	1-216-809-11	METAL CHIP	100	5%	1/10W
R613	1-216-864-11	SHORT CHIP	0			R701	1-216-809-11	METAL CHIP	100	5%	1/10W
R614	1-216-833-11	METAL CHIP	10K	5%	1/10W						
R615	1-216-817-11	METAL CHIP	470	5%	1/10W	R702	1-216-833-11	METAL CHIP	10K	5%	1/10W
R616	1-216-833-11	METAL CHIP	10K	5%	1/10W	R703	1-216-821-11	METAL CHIP	1K	5%	1/10W
						R704	1-216-821-11	METAL CHIP	1K	5%	1/10W
R617	1-216-864-11	SHORT CHIP	0			R705	1-216-833-11	METAL CHIP	10K	5%	1/10W
R618	1-216-864-11	SHORT CHIP	0			R706	1-216-809-11	METAL CHIP	100	5%	1/10W
R620	1-216-809-11	METAL CHIP	100	5%	1/10W						
R622	1-216-833-11	METAL CHIP	10K	5%	1/10W	R707	1-216-809-11	METAL CHIP	100	5%	1/10W
R624	1-216-833-11	METAL CHIP	10K	5%	1/10W	R709	1-216-833-11	METAL CHIP	10K	5%	1/10W
						R713	1-216-864-11	SHORT CHIP	0		
R627	1-216-809-11	METAL CHIP	100	5%	1/10W	R717	1-216-833-11	METAL CHIP	10K	5%	1/10W
R628	1-216-821-11	METAL CHIP	1K	5%	1/10W	R719	1-216-833-11	METAL CHIP	10K	5%	1/10W
R629	1-216-295-91	SHORT CHIP	0								
R630	1-216-809-11	METAL CHIP	100	5%	1/10W	R722	1-216-841-11	METAL CHIP	47K	5%	1/10W
R636	1-216-864-11	SHORT CHIP	0			R723	1-216-809-11	METAL CHIP	100	5%	1/10W
						R724	1-216-809-11	METAL CHIP	100	5%	1/10W
R637	1-216-864-11	SHORT CHIP	0			R725	1-216-829-11	METAL CHIP	4.7K	5%	1/10W
R638	1-216-809-11	METAL CHIP	100	5%	1/10W	R726	1-216-821-11	METAL CHIP	1K	5%	1/10W
R639	1-216-809-11	METAL CHIP	100	5%	1/10W						
R640	1-216-295-91	SHORT CHIP	0			R727	1-216-829-11	METAL CHIP	4.7K	5%	1/10W
R642	1-216-809-11	METAL CHIP	100	5%	1/10W	R728	1-216-821-11	METAL CHIP	1K	5%	1/10W
						R729	1-216-829-11	METAL CHIP	4.7K	5%	1/10W
R643	1-216-809-11	METAL CHIP	100	5%	1/10W	R730	1-216-829-11	METAL CHIP	4.7K	5%	1/10W
R644	1-216-809-11	METAL CHIP	100	5%	1/10W	R731	1-216-809-11	METAL CHIP	100	5%	1/10W
R645	1-216-809-11	METAL CHIP	100	5%	1/10W						
R646	1-216-809-11	METAL CHIP	100	5%	1/10W	R735	1-216-809-11	METAL CHIP	100	5%	1/10W
R647	1-216-809-11	METAL CHIP	100	5%	1/10W	R736	1-216-809-11	METAL CHIP	100	5%	1/10W
						R737	1-216-809-11	METAL CHIP	100	5%	1/10W
R648	1-216-809-11	METAL CHIP	100	5%	1/10W	R738	1-216-809-11	METAL CHIP	100	5%	1/10W
R649	1-216-809-11	METAL CHIP	100	5%	1/10W	R739	1-216-841-11	METAL CHIP	47K	5%	1/10W
R650	1-216-864-11	SHORT CHIP	0								
R652	1-216-809-11	METAL CHIP	100	5%	1/10W	R740	1-216-809-11	METAL CHIP	100	5%	1/10W
R653	1-216-809-11	METAL CHIP	100	5%	1/10W	R741	1-216-841-11	METAL CHIP	47K	5%	1/10W
						R743	1-216-833-11	METAL CHIP	10K	5%	1/10W
R654	1-216-809-11	METAL CHIP	100	5%	1/10W	R746	1-216-841-11	METAL CHIP	47K	5%	1/10W
R655	1-216-809-11	METAL CHIP	100	5%	1/10W	R748	1-216-821-11	METAL CHIP	1K	5%	1/10W
R657	1-216-841-11	METAL CHIP	47K	5%	1/10W						
R659	1-216-845-11	METAL CHIP	100K	5%	1/10W	R749	1-216-821-11	METAL CHIP	1K	5%	1/10W
R660	1-216-864-11	SHORT CHIP	0			R750	1-216-821-11	METAL CHIP	1K	5%	1/10W
						R755	1-216-821-11	METAL CHIP	1K	5%	1/10W
R662	1-216-841-11	METAL CHIP	47K	5%	1/10W	R756	1-216-821-11	METAL CHIP	1K	5%	1/10W
R664	1-216-813-11	METAL CHIP	220	5%	1/10W	R760	1-216-809-11	METAL CHIP	100	5%	1/10W
R665	1-216-813-11	METAL CHIP	220	5%	1/10W						
R666	1-216-813-11	METAL CHIP	220	5%	1/10W	R761	1-216-809-11	METAL CHIP	100	5%	1/10W
R670	1-216-809-11	METAL CHIP	100	5%	1/10W	R762	1-216-809-11	METAL CHIP	100	5%	1/10W
						R763	1-216-809-11	METAL CHIP	100	5%	1/10W
R672	1-216-809-11	METAL CHIP	100	5%	1/10W	R764	1-216-809-11	METAL CHIP	100	5%	1/10W
R673	1-216-833-11	METAL CHIP	10K	5%	1/10W	R765	1-216-809-11	METAL CHIP	100	5%	1/10W
R674	1-216-864-11	SHORT CHIP	0								
R675	1-216-809-11	METAL CHIP	100	5%	1/10W	R774	1-216-821-11	METAL CHIP	1K	5%	1/10W
R676	1-216-833-11	METAL CHIP	10K	5%	1/10W	R775	1-216-841-11	METAL CHIP	47K	5%	1/10W
						R789	1-216-809-11	METAL CHIP	100	5%	1/10W
R678	1-216-864-11	SHORT CHIP	0			R790	1-216-809-11	METAL CHIP	100	5%	1/10W
R679	1-216-809-11	METAL CHIP	100	5%	1/10W	R791	1-216-809-11	METAL CHIP	100	5%	1/10W
R680	1-216-809-11	METAL CHIP	100	5%	1/10W						
R682	1-216-813-11	METAL CHIP	220	5%	1/10W	R792	1-216-833-11	METAL CHIP	10K	5%	1/10W
R683	1-216-809-11	METAL CHIP	100	5%	1/10W						(FX999W:MX, E32)
						R792	1-216-841-11	METAL CHIP	47K	5%	1/10W
R684	1-216-864-11	SHORT CHIP	0								(FX999W:E3, AUS)
R686	1-216-809-11	METAL CHIP	100	5%	1/10W	R793	1-216-841-11	METAL CHIP	47K	5%	1/10W
R692	1-216-809-11	METAL CHIP	100	5%	1/10W	△R901	1-219-759-11	METAL	1M	5%	1/2W
R693	1-216-809-11	METAL CHIP	100	5%	1/10W						(EXCEPT MX)
R694	1-216-809-11	METAL CHIP	100	5%	1/10W	△R902	1-219-237-11	SOLID	3.3M	20%	1/2W
											(MX)
R695	1-216-809-11	METAL CHIP	100	5%	1/10W						
R696	1-216-809-11	METAL CHIP	100	5%	1/10W	△R903	1-215-926-00	METAL OXIDE	33K	5%	3W
R697	1-216-809-11	METAL CHIP	100	5%	1/10W						(FX999W:MX)

HCD-FX999W/FX1000W

Ver. 1.4

MAIN **MIB01**

Ref. No.	Part No.	Description	Remark
△ R903	1-215-929-11	METAL OXIDE	100K 5% 3W (EXCEPT FX999W:MX)
△ R904	1-215-926-00	METAL OXIDE	33K 5% 3W (FX999W:MX)
△ R904	1-215-929-11	METAL OXIDE	100K 5% 3W (EXCEPT FX999W:MX)
△ R905	1-216-797-11	METAL CHIP	10 5% 1/10W
△ R906	1-216-827-11	METAL CHIP	3.3K 5% 1/10W
△ R907	1-216-833-11	METAL CHIP	10K 5% 1/10W
△ R908	1-260-105-11	CARBON	3.3K 5% 1/2W
△ R909	1-216-845-11	METAL CHIP	100K 5% 1/10W
△ R910	1-216-825-11	METAL CHIP	2.2K 5% 1/10W
△ R911	1-216-813-11	METAL CHIP	220 5% 1/10W
△ R912	1-216-361-61	METAL OXIDE	0.22 5% 2W (FX999W:MX)
△ R912	1-216-363-00	METAL OXIDE	0.33 5% 2W (EXCEPT FX999W:MX)
△ R913	1-216-361-61	METAL OXIDE	0.22 5% 2W (FX999W:MX)
△ R914	1-214-789-00	METAL	0.1 10% 5W (EXCEPT FX999W:MX)
△ R914	1-243-665-11	METAL	0.05 5% 5W (FX999W:MX)
△ R918	1-216-864-11	SHORT CHIP	0
△ R919	1-216-836-11	METAL CHIP	18K 5% 1/10W
△ R920	1-216-821-11	METAL CHIP	1K 5% 1/10W
△ R921	1-215-904-61	METAL OXIDE	100K 5% 2W
△ R922	1-216-793-11	METAL CHIP	4.7 5% 1/10W
△ R923	1-216-829-11	METAL CHIP	4.7K 5% 1/10W
△ R924	1-216-864-11	SHORT CHIP	0 (EXCEPT FX999W:MX)
△ R925	1-216-797-11	METAL CHIP	10 5% 1/10W
△ R926	1-216-855-11	METAL CHIP	680K 5% 1/10W
△ R927	1-216-348-00	METAL OXIDE	0.82 5% 1W (FX999W:MX)
△ R927	1-216-349-00	METAL OXIDE	1 5% 1W (EXCEPT FX999W:MX)
△ R929	1-249-478-11	CARBON	2.2 5% 1/2W
R930	1-216-864-11	SHORT CHIP	0 (EXCEPT FX999W:MX)
R931	1-218-863-11	METAL CHIP	4.7K 0.5% 1/10W (FX999W:E32)
R931	1-218-869-11	METAL CHIP	8.2K 0.5% 1/10W (EXCEPT FX999W:E32)
R932	1-218-883-11	METAL CHIP	33K 0.5% 1/10W
R933	1-216-829-11	METAL CHIP	4.7K 5% 1/10W
R934	1-216-821-11	METAL CHIP	1K 5% 1/10W
R935	1-216-821-11	METAL CHIP	1K 5% 1/10W
R936	1-216-853-11	METAL CHIP	470K 5% 1/10W
R937	1-216-833-11	METAL CHIP	10K 5% 1/10W
R938	1-216-821-11	METAL CHIP	1K 5% 1/10W
R939	1-218-859-11	METAL CHIP	3.3K 0.5% 1/10W
R940	1-216-833-11	METAL CHIP	10K 5% 1/10W
R941	1-216-864-11	SHORT CHIP	0
R943	1-216-864-11	SHORT CHIP	0
R946	1-216-811-11	METAL CHIP	150 5% 1/10W
R948	1-216-833-11	METAL CHIP	10K 5% 1/10W
R949	1-216-821-11	METAL CHIP	1K 5% 1/10W
R951	1-218-831-11	METAL CHIP	220 0.5% 1/10W
R952	1-218-855-11	METAL CHIP	2.2K 0.5% 1/10W
R953	1-218-861-11	METAL CHIP	3.9K 0.5% 1/10W
R954	1-216-837-11	METAL CHIP	22K 5% 1/10W

Ref. No.	Part No.	Description	Remark
R955	1-216-817-11	METAL CHIP	470 5% 1/10W
R956	1-216-821-11	METAL CHIP	1K 5% 1/10W
R957	1-216-841-11	METAL CHIP	47K 5% 1/10W
R958	1-216-821-11	METAL CHIP	1K 5% 1/10W
R965	1-216-864-11	SHORT CHIP	0
< COMPOSITION CIRCUIT BLOCK >			
RB501	1-233-576-11	RES, CHIP NETWORK	100 (3216)
RB502	1-233-576-11	RES, CHIP NETWORK	100 (3216)
RB503	1-233-576-11	RES, CHIP NETWORK	100 (3216)
RB504	1-233-576-11	RES, CHIP NETWORK	100 (3216)
RB505	1-233-576-11	RES, CHIP NETWORK	100 (3216)
RB506	1-233-576-11	RES, CHIP NETWORK	100 (3216)
RB507	1-233-576-11	RES, CHIP NETWORK	100 (3216)
RB901	1-236-908-11	RES, CHIP NETWORK	10K (3216)
RB902	1-236-908-11	RES, CHIP NETWORK	10K (3216)
RB903	1-236-908-11	RES, CHIP NETWORK	10K (3216)
RB904	1-236-908-11	RES, CHIP NETWORK	10K (3216)
RB905	1-233-411-11	RES, CHIP NETWORK	220 (3216)
RB906	1-233-411-11	RES, CHIP NETWORK	220 (3216)
RB907	1-233-411-11	RES, CHIP NETWORK	220 (3216)
RB908	1-233-411-11	RES, CHIP NETWORK	220 (3216)
< TRANSFORMER >			
△ T901	1-443-649-11	TRANSFORMER, CONVERTER (FX999W:MX)	
△ T901	1-443-651-11	TRANSFORMER, CONVERTER (EXCEPT FX999W:MX)	
△ T902	1-443-650-11	TRANSFORMER, CONVERTER	
< THERMISTOR >			
△ TH901	1-805-841-21	THERMISTOR, NTC 3.0 (FX999W:MX, E32)	
△ TH901	1-805-842-21	THERMISTOR, NTC 6.0 (FX999W:E3, SP, AUS)	
< VARISTOR >			
△ VDR901	1-805-482-11	VARISTOR	
< VIBRATOR >			
X450	1-795-660-21	QUARTZ CRYSTAL UNIT (49.152MHz)	
X500	1-795-843-11	VIBRATOR, CRYSTAL (12.288MHz)	
X501	1-813-325-11	VIBRATOR, CRYSTAL (13.90MHz)	
X502	1-795-058-21	VIBRATOR, CERAMIC (5MHz)	

★	A-1124-106-A	MIB01 BOARD, COMPLETE (FX1000W) *****	
< CAPACITOR >			
C501	1-127-715-91	CERAMIC CHIP	0.22uF 10% 16V
C502	1-162-970-11	CERAMIC CHIP	0.01uF 10% 25V
C503	1-127-715-91	CERAMIC CHIP	0.22uF 10% 16V
C504	1-162-964-11	CERAMIC CHIP	0.001uF 10% 50V
C505	1-126-205-11	ELECT CHIP	47uF 20% 6.3V
C506	1-107-826-11	CERAMIC CHIP	0.1uF 10% 16V
C507	1-162-970-11	CERAMIC CHIP	0.01uF 10% 25V
C508	1-126-205-11	ELECT CHIP	47uF 20% 6.3V
C512	1-126-205-11	ELECT CHIP	47uF 20% 6.3V
C513	1-107-826-11	CERAMIC CHIP	0.1uF 10% 16V
C516	1-162-970-11	CERAMIC CHIP	0.01uF 10% 25V

★ Please refer to " NOTE OF HANDLING THE MIB01 BOARD (A-1124-106-A) " on the service note (Page 4) for handling of this board.

Ref. No.	Part No.	Description	Remark	Ref. No.	Part No.	Description	Remark
C517	1-162-970-11	CERAMIC CHIP	0.01uF 10% 25V	C613	1-162-970-11	CERAMIC CHIP	0.01uF 10% 25V
C518	1-107-826-11	CERAMIC CHIP	0.1uF 10% 16V	C614	1-128-993-21	ELECT CHIP	22uF 20% 10V
C519	1-107-826-11	CERAMIC CHIP	0.1uF 10% 16V	C615	1-128-993-21	ELECT CHIP	22uF 20% 10V
C520	1-107-826-11	CERAMIC CHIP	0.1uF 10% 16V	C616	1-162-970-11	CERAMIC CHIP	0.01uF 10% 25V
C523	1-162-970-11	CERAMIC CHIP	0.01uF 10% 25V	C617	1-162-970-11	CERAMIC CHIP	0.01uF 10% 25V
C524	1-107-826-11	CERAMIC CHIP	0.1uF 10% 16V	C618	1-124-779-00	ELECT CHIP	10uF 20% 16V
C525	1-126-205-11	ELECT CHIP	47uF 20% 6.3V	C619	1-124-779-00	ELECT CHIP	10uF 20% 16V
C526	1-162-970-11	CERAMIC CHIP	0.01uF 10% 25V	C620	1-162-970-11	CERAMIC CHIP	0.01uF 10% 25V
C527	1-125-838-11	CERAMIC CHIP	2.2uF 10% 6.3V	C621	1-127-715-91	CERAMIC CHIP	0.22uF 10% 16V
C528	1-162-970-11	CERAMIC CHIP	0.01uF 10% 25V	C622	1-162-970-11	CERAMIC CHIP	0.01uF 10% 25V
C529	1-127-715-91	CERAMIC CHIP	0.22uF 10% 16V	C623	1-127-715-91	CERAMIC CHIP	0.22uF 10% 16V
C530	1-107-826-11	CERAMIC CHIP	0.1uF 10% 16V	C624	1-127-715-91	CERAMIC CHIP	0.22uF 10% 16V
C531	1-107-826-11	CERAMIC CHIP	0.1uF 10% 16V	C625	1-127-715-91	CERAMIC CHIP	0.22uF 10% 16V
C532	1-126-205-11	ELECT CHIP	47uF 20% 6.3V	C626	1-107-826-11	CERAMIC CHIP	0.1uF 10% 16V
C533	1-112-180-21	ELECT CHIP	150uF 20% 4V	C627	1-162-970-11	CERAMIC CHIP	0.01uF 10% 25V
C534	1-126-205-11	ELECT CHIP	47uF 20% 6.3V	C628	1-127-715-91	CERAMIC CHIP	0.22uF 10% 16V
C535	1-127-715-91	CERAMIC CHIP	0.22uF 10% 16V	C629	1-127-715-91	CERAMIC CHIP	0.22uF 10% 16V
C536	1-107-826-11	CERAMIC CHIP	0.1uF 10% 16V	C631	1-162-970-11	CERAMIC CHIP	0.01uF 10% 25V
C539	1-107-826-11	CERAMIC CHIP	0.1uF 10% 16V	C637	1-127-715-91	CERAMIC CHIP	0.22uF 10% 16V
C540	1-107-826-11	CERAMIC CHIP	0.1uF 10% 16V	C638	1-162-970-11	CERAMIC CHIP	0.01uF 10% 25V
C541	1-128-934-91	CERAMIC CHIP	0.33uF 20% 10V	C641	1-127-715-91	CERAMIC CHIP	0.22uF 10% 16V
C542	1-107-826-11	CERAMIC CHIP	0.1uF 10% 16V	C5101	1-117-370-11	CERAMIC CHIP	10uF 10V
C543	1-164-677-11	CERAMIC CHIP	0.033uF 10% 16V	C5102	1-117-681-11	ELECT CHIP	100uF 20% 16V
C544	1-107-826-11	CERAMIC CHIP	0.1uF 10% 16V	C5103	1-162-970-11	CERAMIC CHIP	0.01uF 10% 25V
C545	1-107-826-11	CERAMIC CHIP	0.1uF 10% 16V	C5104	1-117-370-11	CERAMIC CHIP	10uF 10V
C546	1-164-173-11	CERAMIC CHIP	0.0039uF 10% 50V	C5105	1-117-681-11	ELECT CHIP	100uF 20% 16V
C547	1-107-826-11	CERAMIC CHIP	0.1uF 10% 16V	C5106	1-162-970-11	CERAMIC CHIP	0.01uF 10% 25V
C548	1-107-826-11	CERAMIC CHIP	0.1uF 10% 16V	C5107	1-117-370-11	CERAMIC CHIP	10uF 10V
C549	1-107-826-11	CERAMIC CHIP	0.1uF 10% 16V	C5108	1-117-681-11	ELECT CHIP	100uF 20% 16V
C550	1-164-733-11	CERAMIC CHIP	820PF 10% 50V	C5109	1-162-970-11	CERAMIC CHIP	0.01uF 10% 25V
C551	1-162-964-11	CERAMIC CHIP	0.001uF 10% 50V	C5204	1-216-864-11	SHORT CHIP	0
C552	1-126-205-11	ELECT CHIP	47uF 20% 6.3V	C5501	1-162-970-11	CERAMIC CHIP	0.01uF 10% 25V
C553	1-127-715-91	CERAMIC CHIP	0.22uF 10% 16V	C5502	1-117-370-11	CERAMIC CHIP	10uF 10V
C554	1-127-715-91	CERAMIC CHIP	0.22uF 10% 16V	C5504	1-216-864-11	SHORT CHIP	0
C555	1-162-964-11	CERAMIC CHIP	0.001uF 10% 50V	< CONNECTOR >			
C556	1-107-826-11	CERAMIC CHIP	0.1uF 10% 16V	CN601	1-818-086-21	HDMI CONNECTOR (HDMI OUT)	
C557	1-107-826-11	CERAMIC CHIP	0.1uF 10% 16V	CN5101	1-573-806-21	PIN, CONNECTOR (1.5mm) (SMD) 6P	
C558	1-107-826-11	CERAMIC CHIP	0.1uF 10% 16V	CN5201	1-779-330-51	CONNECTOR, FFC/FPC 12P	
C559	1-107-826-11	CERAMIC CHIP	0.1uF 10% 16V	CN5301	1-793-989-21	FFC/CONNECTOR, FPC (LIF (NON-ZIF)) 13P	
C560	1-107-826-11	CERAMIC CHIP	0.1uF 10% 16V	CN5401	1-779-338-51	CONNECTOR, FFC/FPC 28P	
C561	1-127-715-91	CERAMIC CHIP	0.22uF 10% 16V	< FERRITE BEAD >			
C562	1-162-970-11	CERAMIC CHIP	0.01uF 10% 25V	FB5101	1-469-324-21	FERRITE, EMI (SMD) (2012)	
C563	1-165-908-11	CERAMIC CHIP	1uF 10% 10V	FB5102	1-469-324-21	FERRITE, EMI (SMD) (2012)	
C564	1-127-715-91	CERAMIC CHIP	0.22uF 10% 16V	FB5103	1-469-324-21	FERRITE, EMI (SMD) (2012)	
C565	1-107-826-11	CERAMIC CHIP	0.1uF 10% 16V	< FILTER >			
C566	1-107-826-11	CERAMIC CHIP	0.1uF 10% 16V	FL601	1-234-177-21	FILTER, CHIP EMI	
C601	1-128-993-21	ELECT CHIP	22uF 20% 10V	FL602	1-234-177-21	FILTER, CHIP EMI	
C602	1-162-970-11	CERAMIC CHIP	0.01uF 10% 25V	FL603	1-234-177-21	FILTER, CHIP EMI	
C603	1-162-970-11	CERAMIC CHIP	0.01uF 10% 25V	FL604	1-234-177-21	FILTER, CHIP EMI	
C604	1-162-970-11	CERAMIC CHIP	0.01uF 10% 25V	FL605	1-234-177-21	FILTER, CHIP EMI	
C605	1-162-970-11	CERAMIC CHIP	0.01uF 10% 25V	FL5101	1-234-177-21	FILTER, CHIP EMI	
C606	1-162-970-11	CERAMIC CHIP	0.01uF 10% 25V	FL5102	1-234-177-21	FILTER, CHIP EMI	
C607	1-162-970-11	CERAMIC CHIP	0.01uF 10% 25V	FL5103	1-234-177-21	FILTER, CHIP EMI	
C608	1-162-970-11	CERAMIC CHIP	0.01uF 10% 25V				
C609	1-162-970-11	CERAMIC CHIP	0.01uF 10% 25V				
C610	1-162-970-11	CERAMIC CHIP	0.01uF 10% 25V				
C611	1-162-970-11	CERAMIC CHIP	0.01uF 10% 25V				
C612	1-162-970-11	CERAMIC CHIP	0.01uF 10% 25V				

HCD-FX999W/FX1000W

Ver. 1.1

MIB01

Ref. No.	Part No.	Description	Remark	Ref. No.	Part No.	Description	Remark
		< IC >		R612	1-216-864-11	SHORT CHIP	0
IC111	6-550-008-01	TRANSISTOR UM6K1N-TN		R615	1-216-821-11	METAL CHIP	1K 5% 1/10W
IC501	6-702-301-01	IC TK11125CSCL-G		R617	1-216-821-11	METAL CHIP	1K 5% 1/10W
IC503	6-706-521-01	IC CXD9837R		R624	1-216-821-11	METAL CHIP	1K 5% 1/10W
IC505	8-759-837-19	IC MM1562FFBE		R625	1-216-805-11	METAL CHIP	47 5% 1/10W
IC506	6-701-079-01	IC ADV7300AKST		R626	1-216-821-11	METAL CHIP	1K 5% 1/10W
IC507	6-706-520-01	IC CXD9836R		R627	1-216-805-11	METAL CHIP	47 5% 1/10W
IC508	6-702-301-01	IC TK11125CSCL-G		R628	1-216-824-11	METAL CHIP	1.8K 5% 1/10W
IC509	6-705-992-01	IC HY57V161610ETP-7		R629	1-216-821-11	METAL CHIP	1K 5% 1/10W
IC601	6-805-614-01	IC MB89538APFM-G-663E1		R630	1-216-824-11	METAL CHIP	1.8K 5% 1/10W
IC602	(Not supplied)	IC SII9030CTU		R631	1-216-824-11	METAL CHIP	1.8K 5% 1/10W
IC603	6-703-046-01	IC SN74LVC1G08DCKR		R632	1-216-824-11	METAL CHIP	1.8K 5% 1/10W
IC604	6-707-119-01	IC TK11218CMCL-G		R633	1-216-824-11	METAL CHIP	1.8K 5% 1/10W
IC605	6-705-338-01	IC TK11250CMCL-G		R638	1-216-813-11	METAL CHIP	220 5% 1/10W
IC606	6-702-302-01	IC TK11133CSCL-G		R639	1-216-809-11	METAL CHIP	100 5% 1/10W
IC607	6-704-470-01	IC TK11233CMCL-G		R640	1-216-813-11	METAL CHIP	220 5% 1/10W
IC608	8-759-679-58	IC SN74AHCT541PWR		R641	1-216-864-11	SHORT CHIP	0
IC5401	6-703-589-01	IC SN74LVC1G125DCKR		R648	1-216-829-11	METAL CHIP	4.7K 5% 1/10W
		< LINE FILTER >		R654	1-216-829-11	METAL CHIP	4.7K 5% 1/10W
* LF601	1-813-308-11	COMMON MODE CHOKE		R655	1-216-829-11	METAL CHIP	4.7K 5% 1/10W
* LF602	1-813-308-11	COMMON MODE CHOKE		R659	1-216-864-11	SHORT CHIP	0
* LF603	1-813-308-11	COMMON MODE CHOKE		R664	1-216-809-11	METAL CHIP	100 5% 1/10W
* LF604	1-813-308-11	COMMON MODE CHOKE		R665	1-216-829-11	METAL CHIP	4.7K 5% 1/10W
		< TRANSISTOR >		R666	1-216-829-11	METAL CHIP	4.7K 5% 1/10W
Q601	8-719-012-57	DIODE UZ-2.0BS-TP		R667	1-216-829-11	METAL CHIP	4.7K 5% 1/10W
Q602	8-719-012-57	DIODE UZ-2.0BS-TP		R668	1-216-864-11	SHORT CHIP	0
		< RESISTOR >		R670	1-216-829-11	METAL CHIP	4.7K 5% 1/10W
R501	1-216-809-11	METAL CHIP	100 5% 1/10W	R671	1-216-833-11	METAL CHIP	10K 5% 1/10W
R504	1-216-809-11	METAL CHIP	100 5% 1/10W	R672	1-216-864-11	SHORT CHIP	0
R509	1-216-805-11	METAL CHIP	47 5% 1/10W	R673	1-216-809-11	METAL CHIP	100 5% 1/10W
R515	1-216-864-11	SHORT CHIP	0	R674	1-216-829-11	METAL CHIP	4.7K 5% 1/10W
R516	1-216-864-11	SHORT CHIP	0	R675	1-218-840-11	METAL CHIP	510 0.5% 1/10W
R526	1-216-820-11	METAL CHIP	820 5% 1/10W	R677	1-216-864-11	SHORT CHIP	0
R527	1-216-827-11	METAL CHIP	3.3K 5% 1/10W	R679	1-216-864-11	SHORT CHIP	0
R532	1-216-819-11	METAL CHIP	680 5% 1/10W	R681	1-216-864-11	SHORT CHIP	0
R533	1-216-833-11	METAL CHIP	10K 5% 1/10W	R682	1-216-840-11	METAL CHIP	39K 5% 1/10W
R534	1-216-809-11	METAL CHIP	100 5% 1/10W	R684	1-216-829-11	METAL CHIP	4.7K 5% 1/10W
R535	1-216-821-11	METAL CHIP	1K 5% 1/10W	R687	1-216-824-11	METAL CHIP	1.8K 5% 1/10W
R536	1-216-821-11	METAL CHIP	1K 5% 1/10W	R689	1-216-824-11	METAL CHIP	1.8K 5% 1/10W
R537	1-216-809-11	METAL CHIP	100 5% 1/10W	R690	1-216-864-11	SHORT CHIP	0
R538	1-218-834-11	METAL CHIP	300 0.5% 1/10W	R691	1-216-864-11	SHORT CHIP	0
R539	1-218-834-11	METAL CHIP	300 0.5% 1/10W	R692	1-216-864-11	SHORT CHIP	0
R540	1-218-834-11	METAL CHIP	300 0.5% 1/10W	R693	1-216-864-11	SHORT CHIP	0
R541	1-218-834-11	METAL CHIP	300 0.5% 1/10W	R694	1-216-864-11	SHORT CHIP	0
R542	1-218-834-11	METAL CHIP	300 0.5% 1/10W	R696	1-216-864-11	SHORT CHIP	0
R543	1-218-834-11	METAL CHIP	300 0.5% 1/10W	R1607	1-216-864-11	SHORT CHIP	0
R551	1-216-864-11	SHORT CHIP	0	R1610	1-216-864-11	SHORT CHIP	0
R559	1-216-864-11	SHORT CHIP	0	R1616	1-216-864-11	SHORT CHIP	0
R602	1-216-864-11	SHORT CHIP	0	R1617	1-216-864-11	SHORT CHIP	0
R603	1-216-864-11	SHORT CHIP	0	R1618	1-216-864-11	SHORT CHIP	0
R604	1-216-833-11	METAL CHIP	10K 5% 1/10W	R1621	1-216-829-11	METAL CHIP	4.7K 5% 1/10W
R605	1-216-833-11	METAL CHIP	10K 5% 1/10W	R1623	1-216-864-11	SHORT CHIP	0
R607	1-216-864-11	SHORT CHIP	0	R1633	1-216-821-11	METAL CHIP	1K 5% 1/10W
R608	1-216-864-11	SHORT CHIP	0	R1634	1-216-821-11	METAL CHIP	1K 5% 1/10W
				R5001	1-216-864-11	SHORT CHIP	0
				R5002	1-216-817-11	METAL CHIP	470 5% 1/10W
				R5003	1-216-817-11	METAL CHIP	470 5% 1/10W
				R5101	1-216-833-11	METAL CHIP	10K 5% 1/10W

Ref. No.	Part No.	Description	Remark	Ref. No.	Part No.	Description	Remark
R5102	1-216-833-11	METAL CHIP	10K 5% 1/10W	R5547	1-216-864-11	SHORT CHIP	0
R5202	1-216-864-11	SHORT CHIP	0	R5548	1-216-864-11	SHORT CHIP	0
R5204	1-216-809-11	METAL CHIP	100 5% 1/10W	R5549	1-216-864-11	SHORT CHIP	0
R5206	1-216-864-11	SHORT CHIP	0	R5550	1-216-864-11	SHORT CHIP	0
R5207	1-216-864-11	SHORT CHIP	0	R5551	1-216-864-11	SHORT CHIP	0
R5208	1-216-864-11	SHORT CHIP	0	< COMPOSITION CIRCUIT BLOCK >			
R5209	1-216-864-11	SHORT CHIP	0	RB5501	1-234-795-21	RES, NETWORK 0X4 (2010)	
R5210	1-216-864-11	SHORT CHIP	0	RB5502	1-234-795-21	RES, NETWORK 0X4 (2010)	
R5211	1-216-864-11	SHORT CHIP	0	< VARIABLE RESISTOR >			
R5303	1-216-864-11	SHORT CHIP	0	RV501	1-223-583-41	RES, ADJ, CARBON (3 TYPE) 1K	
R5305	1-216-864-11	SHORT CHIP	0	RV502	1-223-583-41	RES, ADJ, CARBON (3 TYPE) 1K	
R5307	1-216-864-11	SHORT CHIP	0	< VIBRATOR >			
R5309	1-216-864-11	SHORT CHIP	0	X601	1-813-430-11	PIEZOELECTRIC OSCILLATOR (8MHz)	
R5311	1-216-864-11	SHORT CHIP	0	*****			
R5313	1-216-864-11	SHORT CHIP	0	MIB01 POWER BOARD (FX1000W)			
R5402	1-216-864-11	SHORT CHIP	0	*****			
R5403	1-216-864-11	SHORT CHIP	0	< CAPACITOR >			
R5404	1-216-864-11	SHORT CHIP	0	C905	1-113-619-11	CERAMIC CHIP	0.47uF 10V
R5405	1-216-864-11	SHORT CHIP	0	C906	1-126-969-11	ELECT	220uF 20% 50V
R5406	1-216-864-11	SHORT CHIP	0	C907	1-128-949-31	ELECT	470uF 20% 16V
R5407	1-216-864-11	SHORT CHIP	0	C908	1-104-658-91	ELECT	100uF 20% 10V
R5408	1-216-864-11	SHORT CHIP	0	C909	1-107-726-91	CERAMIC CHIP	0.01uF 10% 16V
R5409	1-216-864-11	SHORT CHIP	0	C910	1-104-658-91	ELECT	100uF 20% 10V
R5411	1-216-864-11	SHORT CHIP	0	C911	1-104-658-91	ELECT	100uF 20% 10V
R5412	1-216-864-11	SHORT CHIP	0	C912	1-162-970-11	CERAMIC CHIP	0.01uF 10% 25V
R5414	1-216-864-11	SHORT CHIP	0	C913	1-125-891-11	CERAMIC CHIP	0.47uF 10% 10V
R5415	1-216-864-11	SHORT CHIP	0	< CONNECTOR >			
R5416	1-216-864-11	SHORT CHIP	0	CN9001	1-564-704-11	PIN, CONNECTOR (SMALL TYPE) 2P	
R5417	1-216-864-11	SHORT CHIP	0	* CN9002	1-564-708-11	PIN, CONNECTOR (SMALL TYPE) 6P	
R5418	1-216-864-11	SHORT CHIP	0	< DIODE >			
R5419	1-216-864-11	SHORT CHIP	0	D9021	6-500-258-01	DIODE RK16	
R5420	1-216-864-11	SHORT CHIP	0	D9022	6-500-522-01	DIODE 10EDB40-TA1B2	
R5421	1-216-864-11	SHORT CHIP	0	D9023	8-719-210-21	DIODE 11EQS04	
R5423	1-216-809-11	METAL CHIP	100 5% 1/10W	< IC >			
R5452	1-216-829-11	METAL CHIP	4.7K 5% 1/10W	IC901	6-700-850-01	IC SI-8050JD-TP	
R5453	1-216-829-11	METAL CHIP	4.7K 5% 1/10W	IC902	6-707-568-01	IC TA48033F-TE16L	
R5504	1-216-815-11	METAL CHIP	330 5% 1/10W	< COIL >			
R5505	1-216-815-11	METAL CHIP	330 5% 1/10W	L9021	1-456-468-11	INDUCTOR	100uH
R5524	1-216-815-11	METAL CHIP	330 5% 1/10W	L9022	1-414-398-11	INDUCTOR	10uH
R5525	1-216-815-11	METAL CHIP	330 5% 1/10W	L9023	1-414-398-11	INDUCTOR	10uH
R5526	1-216-815-11	METAL CHIP	330 5% 1/10W	L9024	1-414-398-11	INDUCTOR	10uH
R5527	1-216-815-11	METAL CHIP	330 5% 1/10W	< RESISTOR >			
R5528	1-216-815-11	METAL CHIP	330 5% 1/10W	R902	1-218-853-11	METAL CHIP	1.8K 0.5% 1/10W
R5529	1-216-815-11	METAL CHIP	330 5% 1/10W	R903	1-211-991-11	METAL CHIP	82 0.5% 1/10W
R5530	1-216-815-11	METAL CHIP	330 5% 1/10W	< TERMINAL BOARD >			
R5531	1-216-815-11	METAL CHIP	330 5% 1/10W	TK9001	1-537-770-21	TERMINAL BOARD, GROUND	
R5534	1-216-815-11	METAL CHIP	330 5% 1/10W				
R5535	1-216-815-11	METAL CHIP	330 5% 1/10W				
R5536	1-216-815-11	METAL CHIP	330 5% 1/10W				
R5537	1-216-815-11	METAL CHIP	330 5% 1/10W				
R5538	1-216-815-11	METAL CHIP	330 5% 1/10W				
R5539	1-216-815-11	METAL CHIP	330 5% 1/10W				
R5540	1-216-815-11	METAL CHIP	330 5% 1/10W				
R5541	1-216-815-11	METAL CHIP	330 5% 1/10W				
R5544	1-216-864-11	SHORT CHIP	0				
R5545	1-216-864-11	SHORT CHIP	0				
R5546	1-216-864-11	SHORT CHIP	0				

HCD-FX999W/FX1000W

Ver. 1.1

MIB01 POWER **MIC** **MODE MOTOR** **RELAY**

Ref. No.	Part No.	Description	Remark
TK9002	1-537-770-21	TERMINAL BOARD, GROUND	

		MIC BOARD	

		< CAPACITOR >	
C601	1-164-156-11	CERAMIC CHIP 0.1uF	25V
C602	1-126-933-11	ELECT 100uF	20% 16V
C603	1-126-933-11	ELECT 100uF	20% 16V
C604	1-164-156-11	CERAMIC CHIP 0.1uF	25V
C620	1-124-464-11	ELECT 0.22uF	20% 50V
C651	1-162-970-11	CERAMIC CHIP 0.01uF	10% 25V
C652	1-162-970-11	CERAMIC CHIP 0.01uF	10% 25V
C659	1-162-923-11	CERAMIC CHIP 47PF	5% 50V
C660	1-162-964-11	CERAMIC CHIP 0.001uF	10% 50V
C671	1-162-960-11	CERAMIC CHIP 220PF	10% 50V
C672	1-162-964-11	CERAMIC CHIP 0.001uF	10% 50V
C673	1-162-964-11	CERAMIC CHIP 0.001uF	10% 50V
C862	1-162-970-11	CERAMIC CHIP 0.01uF	10% 25V
C863	1-162-962-11	CERAMIC CHIP 470PF	10% 50V
C866	1-164-360-11	CERAMIC CHIP 0.1uF	16V
C870	1-162-970-11	CERAMIC CHIP 0.01uF	10% 25V
		< CONNECTOR >	
CN602	1-564-722-11	PIN, CONNECTOR (SMALL TYPE) 6P	
		< DIODE >	
D611	8-719-988-61	DIODE 1SS355TE-17	
D612	8-719-988-61	DIODE 1SS355TE-17	
D821	8-719-988-61	DIODE 1SS355TE-17	
D822	8-719-988-61	DIODE 1SS355TE-17	
		< EARTH TERMINAL >	
EP601	1-537-770-21	TERMINAL BOARD, GROUND	
EP801	1-537-770-21	TERMINAL BOARD, GROUND	
		< FERRITE BEAD >	
FB601	1-469-144-21	FERRITE, EMI (SMD) (2012)	
FB811	1-469-144-21	FERRITE, EMI (SMD) (2012)	
FB812	1-469-144-21	FERRITE, EMI (SMD) (2012)	
FB813	1-469-144-21	FERRITE, EMI (SMD) (2012)	
FB814	1-216-295-91	SHORT CHIP 0	
		< IC >	
IC604	8-759-710-97	IC NJM4565M-D	
		< JACK >	
J603	1-770-226-11	JACK (LARGE TYPE) (MIC)	
J801	1-566-891-21	JACK (PHONES)	
		< COIL >	
L811	1-216-864-11	SHORT CHIP 0	
L812	1-469-144-21	FERRITE, EMI (SMD) (2012)	
L813	1-216-864-11	SHORT CHIP 0	
L814	1-469-144-21	FERRITE, EMI (SMD) (2012)	

Ref. No.	Part No.	Description	Remark
		< TRANSISTOR >	
Q807	6-550-889-01	TRANSISTOR 2SC5938-T112-1B	
Q808	6-550-889-01	TRANSISTOR 2SC5938-T112-1B	
		< RESISTOR >	
R632	1-216-833-11	METAL CHIP 10K	5% 1/10W
R639	1-216-845-11	METAL CHIP 100K	5% 1/10W
R640	1-216-821-11	METAL CHIP 1K	5% 1/10W
R642	1-216-864-11	SHORT CHIP 0	
R644	1-216-833-11	METAL CHIP 10K	5% 1/10W
R645	1-216-835-11	METAL CHIP 15K	5% 1/10W
R647	1-216-833-11	METAL CHIP 10K	5% 1/10W
R657	1-216-821-11	METAL CHIP 1K	5% 1/10W
R861	1-216-829-11	METAL CHIP 4.7K	5% 1/10W
R862	1-216-829-11	METAL CHIP 4.7K	5% 1/10W
R863	1-216-801-11	METAL CHIP 22	5% 1/10W
R864	1-216-801-11	METAL CHIP 22	5% 1/10W
R865	1-216-805-11	METAL CHIP 47	5% 1/10W
R866	1-216-805-11	METAL CHIP 47	5% 1/10W
R867	1-216-829-11	METAL CHIP 4.7K	5% 1/10W
R869	1-216-829-11	METAL CHIP 4.7K	5% 1/10W

	1-686-724-13	MODE MOTOR BOARD	

	A-4731-113-A	RELAY BOARD, COMPLETE (including ST ENCODER BOARD)	

		< CAPACITOR >	
C711	1-126-795-11	ELECT 10uF	20% 50V
C751	1-164-159-21	CERAMIC 0.1uF	50V
C752	1-164-159-21	CERAMIC 0.1uF	50V
C753	1-164-159-21	CERAMIC 0.1uF	50V
C754	1-164-159-21	CERAMIC 0.1uF	50V
C755	1-164-159-21	CERAMIC 0.1uF	50V
C756	1-164-159-21	CERAMIC 0.1uF	50V
C758	1-164-159-21	CERAMIC 0.1uF	50V
C761	1-162-306-11	CERAMIC 0.01uF	20% 16V
C762	1-164-159-21	CERAMIC 0.1uF	50V
C763	1-164-159-21	CERAMIC 0.1uF	50V
C764	1-164-159-21	CERAMIC 0.1uF	50V
C765	1-164-159-21	CERAMIC 0.1uF	50V
C766	1-164-159-21	CERAMIC 0.1uF	50V
C767	1-164-159-21	CERAMIC 0.1uF	50V
C768	1-164-159-21	CERAMIC 0.1uF	50V
C769	1-164-159-21	CERAMIC 0.1uF	50V
C771	1-162-306-11	CERAMIC 0.01uF	20% 16V
C781	1-162-306-11	CERAMIC 0.01uF	20% 16V
		< CONNECTOR >	
CN701	1-779-564-21	CONNECTOR, FFC (LIF (NON-ZIF)) 27P	
CN702	1-785-329-11	PIN, CONNECTOR (LIGHT ANGLE) 3P	
CN703	1-785-328-11	PIN, CONNECTOR (LIGHT ANGRE) 2P	
* CN710	1-506-486-11	PIN, CONNECTOR 7P	

RELAY
ROLLER MOTOR
SENSOR
ST ENCODER

STOCKER MOTOR
SW (1)
SW (2)
SW (3)
SW (4)
TX

Ref. No.	Part No.	Description	Remark	Ref. No.	Part No.	Description	Remark
		< DIODE >			1-686-728-13	SW (2) BOARD *****	
D701	8-719-921-44	DIODE MTZJ-5.1C				< SWITCH >	
D711	8-719-109-92	DIODE RD6.2ESB1		S713	1-786-382-21	SWITCH, PUSH (1 KEY) (DISC IN (8/12cm))	
D721	8-719-982-11	DIODE MTZJ-4.3B		S714	1-786-382-21	SWITCH, PUSH (1 KEY) (DISC IN (8cm))	
		< IC >		*****			
IC701	8-759-598-69	IC BA6956AN			1-686-729-13	SW (3) BOARD *****	
IC711	8-759-598-69	IC BA6956AN				< SWITCH >	
IC721	8-759-598-69	IC BA6956AN		S715	1-786-382-21	SWITCH, PUSH (1 KEY) (DISC OUT)	
		< TRANSISTOR >		*****			
Q731	8-729-029-66	TRANSISTOR DTC114ESA			1-686-730-13	SW (4) BOARD *****	
		< RESISTOR >				< SWITCH >	
R701	1-249-415-11	CARBON 680 5% 1/4W		S716	1-786-382-21	SWITCH, PUSH (1 KEY) (STOCKER IN/OUT)	
R702	1-247-807-31	CARBON 100 5% 1/4W		S717	1-786-382-21	SWITCH, PUSH (1 KEY) (DISC POSITION)	
R711	1-249-415-11	CARBON 680 5% 1/4W		S718	1-786-382-21	SWITCH, PUSH (1 KEY) (STOCKING)	
R712	1-247-807-31	CARBON 100 5% 1/4W		*****			
R721	1-249-415-11	CARBON 680 5% 1/4W		A-1111-100-A	TX BOARD, COMPLETE *****		
R722	1-247-807-31	CARBON 100 5% 1/4W				< CAPACITOR >	
R731	1-247-806-11	CARBON 91 5% 1/4W		C800	1-128-950-21	ELECT 1000uF 20% 16V	
R732	1-249-417-11	CARBON 1K 5% 1/4W		C801	1-164-156-11	CERAMIC CHIP 0.1uF 25V	
R733	1-249-429-11	CARBON 10K 5% 1/4W		C805	1-126-933-11	ELECT 100uF 20% 16V	
R734	1-249-429-11	CARBON 10K 5% 1/4W		C806	1-107-826-11	CERAMIC CHIP 0.1uF 10% 16V	
*****				C807	1-162-927-11	CERAMIC CHIP 100PF 5% 50V	
	1-686-726-13	ROLLER MOTOR BOARD *****		C808	1-162-927-11	CERAMIC CHIP 100PF 5% 50V	
*****				C809	1-162-927-11	CERAMIC CHIP 100PF 5% 50V	
	1-686-723-13	SENSOR BOARD *****		C810	1-107-826-11	CERAMIC CHIP 0.1uF 10% 16V	
		< IC >		C811	1-107-826-11	CERAMIC CHIP 0.1uF 10% 16V	
IC751	8-749-017-45	SENSOR, PHONT RPR-220C1N		C812	1-104-658-91	ELECT 100uF 20% 10V	
*****				C813	1-162-927-11	CERAMIC CHIP 100PF 5% 50V	
	A-4731-113-A	ST ENCODER BOARD, COMPLETE (including RELAY BOARD) *****		C814	1-162-927-11	CERAMIC CHIP 100PF 5% 50V	
*****				C815	1-162-927-11	CERAMIC CHIP 100PF 5% 50V	
	1-686-725-13	STOCKER MOTOR BOARD *****		C816	1-162-927-11	CERAMIC CHIP 100PF 5% 50V	
*****				C817	1-162-927-11	CERAMIC CHIP 100PF 5% 50V	
	1-686-727-13	SW (1) BOARD *****		C818	1-107-826-11	CERAMIC CHIP 0.1uF 10% 16V	
		< SWITCH >		C819	1-162-916-11	CERAMIC CHIP 12PF 5% 50V	
S711	1-786-382-21	SWITCH, PUSH (1 KEY) (1 KEY) (DISC INSERT (8/12cm))		C820	1-162-916-11	CERAMIC CHIP 12PF 5% 50V	
*****				C821	1-104-658-91	ELECT 100uF 20% 10V	
				C822	1-107-826-11	CERAMIC CHIP 0.1uF 10% 16V	
				C823	1-107-726-91	CERAMIC CHIP 0.01uF 10% 16V	
				C824	1-107-826-11	CERAMIC CHIP 0.1uF 10% 16V	
				C825	1-162-923-11	CERAMIC CHIP 47PF 5% 50V	
				C826	1-104-658-91	ELECT 100uF 20% 10V	
				C827	1-162-927-11	CERAMIC CHIP 100PF 5% 50V	
				C828	1-107-826-11	CERAMIC CHIP 0.1uF 10% 16V	
				C829	1-162-923-11	CERAMIC CHIP 47PF 5% 50V	
				C830	1-107-826-11	CERAMIC CHIP 0.1uF 10% 16V	
				C831	1-162-927-11	CERAMIC CHIP 100PF 5% 50V	
				C832	1-162-968-11	CERAMIC CHIP 0.0047uF 10% 50V	
				C833	1-107-826-11	CERAMIC CHIP 0.1uF 10% 16V	

HCD-FX999W/FX1000W

TX

Ref. No.	Part No.	Description	Remark	Ref. No.	Part No.	Description	Remark
C834	1-107-826-11	CERAMIC CHIP	0.1uF 10% 16V	L812	1-456-509-11	INDUCTOR 10uH	
C835	1-162-966-11	CERAMIC CHIP	0.0022uF 10% 50V			< TRANSISTOR >	
C836	1-164-156-11	CERAMIC CHIP	0.1uF 25V				
C837	1-107-826-11	CERAMIC CHIP	0.1uF 10% 16V	Q801	8-729-230-49	TRANSISTOR 2SC2712-YG	
C838	1-107-826-11	CERAMIC CHIP	0.1uF 10% 16V			< RESISTOR >	
C839	1-164-156-11	CERAMIC CHIP	0.1uF 25V				
C840	1-107-826-11	CERAMIC CHIP	0.1uF 10% 16V	R802	1-216-833-11	METAL CHIP 10K 5% 1/10W	
C841	1-126-961-11	ELECT	2.2uF 20% 50V	R803	1-216-809-11	METAL CHIP 100 5% 1/10W	
C842	1-164-230-11	CERAMIC CHIP	220PF 5% 50V	R804	1-216-809-11	METAL CHIP 100 5% 1/10W	
C844	1-107-826-11	CERAMIC CHIP	0.1uF 10% 16V	R805	1-216-809-11	METAL CHIP 100 5% 1/10W	
C845	1-104-658-91	ELECT	100uF 20% 10V	R806	1-216-809-11	METAL CHIP 100 5% 1/10W	
C846	1-107-726-91	CERAMIC CHIP	0.01uF 10% 16V	R807	1-216-809-11	METAL CHIP 100 5% 1/10W	
C847	1-126-933-11	ELECT	100uF 20% 16V	R808	1-216-809-11	METAL CHIP 100 5% 1/10W	
C848	1-107-726-91	CERAMIC CHIP	0.01uF 10% 16V	R809	1-216-809-11	METAL CHIP 100 5% 1/10W	
C849	1-126-933-11	ELECT	100uF 20% 16V	R810	1-216-809-11	METAL CHIP 100 5% 1/10W	
C850	1-107-826-11	CERAMIC CHIP	0.1uF 10% 16V	R811	1-216-821-11	METAL CHIP 1K 5% 1/10W	
C851	1-107-826-11	CERAMIC CHIP	0.1uF 10% 16V	R812	1-216-815-11	METAL CHIP 330 5% 1/10W	
C860	1-164-156-11	CERAMIC CHIP	0.1uF 25V	R813	1-216-813-11	METAL CHIP 220 5% 1/10W	
C861	1-164-156-11	CERAMIC CHIP	0.1uF 25V	R814	1-216-809-11	METAL CHIP 100 5% 1/10W	
C863	1-128-950-21	ELECT	1000uF 20% 16V	R815	1-216-815-11	METAL CHIP 330 5% 1/10W	
C864	1-164-156-11	CERAMIC CHIP	0.1uF 25V	R816	1-216-825-11	METAL CHIP 2.2K 5% 1/10W	
		< CONNECTOR >		R817	1-216-821-11	METAL CHIP 1K 5% 1/10W	
CN801	1-784-370-21	CONNECTOR, FFC/FPC 11P		R818	1-216-821-11	METAL CHIP 1K 5% 1/10W	
CN802	1-564-505-11	PLUG, CONNECTOR 2P		R819	1-216-821-11	METAL CHIP 1K 5% 1/10W	
CN803	1-564-505-11	PLUG, CONNECTOR 2P		R820	1-216-813-11	METAL CHIP 220 5% 1/10W	
		< DIODE >		R821	1-216-826-11	METAL CHIP 2.7K 5% 1/10W	
D800	8-719-988-61	DIODE 1SS355TE-17		R822	1-216-811-11	METAL CHIP 150 5% 1/10W	
		< TERMINAL BOARD >		R823	1-216-813-11	METAL CHIP 220 5% 1/10W	
EB801	1-537-770-21	TERMINAL BOARD, GROUND		R824	1-216-817-11	METAL CHIP 470 5% 1/10W	
EB802	1-537-770-21	TERMINAL BOARD, GROUND		R825	1-216-833-11	METAL CHIP 10K 5% 1/10W	
		< FERRITE BEAD >		R826	1-216-811-11	METAL CHIP 150 5% 1/10W	
FB804	1-414-234-22	INDUCTOR, FERRITE BEAD		R827	1-216-811-11	METAL CHIP 150 5% 1/10W	
		< IC >		R829	1-216-835-11	METAL CHIP 15K 5% 1/10W	
IC800	6-703-550-01	IC TA7809LS		R830	1-216-833-11	METAL CHIP 10K 5% 1/10W	
IC801	6-704-261-01	IC TK11225CMCL-G		R831	1-220-397-11	METAL CHIP 4.7M 5% 1/10W	
IC802	8-759-548-99	IC SN74LV08APWR		R832	1-216-833-11	METAL CHIP 10K 5% 1/10W	
IC803	8-759-549-01	IC SN74LV125APWR		R833	1-216-833-11	METAL CHIP 10K 5% 1/10W	
IC804	8-752-425-05	IC CXD4016R		R834	1-216-833-11	METAL CHIP 10K 5% 1/10W	
IC805	8-759-684-21	IC AD8057ARTZ-REEL3		R835	1-216-829-11	METAL CHIP 4.7K 5% 1/10W	
		< COIL >		R836	1-216-826-11	METAL CHIP 2.7K 5% 1/10W	
L802	1-469-525-91	INDUCTOR	10uH	R837	1-216-803-11	METAL CHIP 33 5% 1/10W	
L803	1-469-525-91	INDUCTOR	10uH	R838	1-216-821-11	METAL CHIP 1K 5% 1/10W	
L804	1-469-525-91	INDUCTOR	10uH	R839	1-216-809-11	METAL CHIP 100 5% 1/10W	
L805	1-469-525-91	INDUCTOR	10uH	R840	1-216-809-11	METAL CHIP 100 5% 1/10W	
L806	1-469-525-91	INDUCTOR	10uH	R841	1-216-809-11	METAL CHIP 100 5% 1/10W	
L807	1-469-525-91	INDUCTOR	10uH	R842	1-216-809-11	METAL CHIP 100 5% 1/10W	
L808	1-469-525-91	INDUCTOR	10uH	R843	1-216-809-11	METAL CHIP 100 5% 1/10W	
L809	1-469-525-91	INDUCTOR	10uH	R844	1-216-809-11	METAL CHIP 100 5% 1/10W	
L810	1-469-525-91	INDUCTOR	10uH			< VARIABLE RESISTOR >	
L811	1-400-305-11	INDUCTOR	47uH	RV801	1-223-582-11	RES, ADJ, CARBON 470	
		< VIBRATOR >					
				X801	1-795-044-21	VIBRATOR, CRYSTAL (24.576MHz)	

Ref. No.	Part No.	Description	Remark
		MISCELLANEOUS *****	
56	1-828-336-11	WIRE (FLAT TYPE) (15 CORE)	
102	1-828-952-11	WIRE (FLAT TYPE) (9 CORE)	
104	1-787-331-11	FAN, D.C.	
△ 106	1-696-847-22	CORD, POWER (FX999W:AUS)	
△ 106	1-824-090-11	CORD, POWER (FX999W:MX)	
△ 106	1-827-597-61	CORD, POWER (FX999W:TW)	
△ 106	1-828-528-11	CORD, POWER (FX999W:E3, E13, E32, SP)	
△ 106	1-828-529-21	CORD, POWER (FX1000W)	
156	1-830-689-51	WIRE (FLAT TYPE) (24 CORE)	
158	1-828-382-11	WIRE (FLAT TYPE) (23 CORE)	
159	1-830-690-51	WIRE (FLAT TYPE) (28 CORE) (FX1000W)	
161	1-830-691-51	WIRE (FLAT TYPE) (12 CORE) (FX1000W)	
162	1-830-576-11	WIRE (FLAT TYPE) (11CORE)	
163	1-828-361-11	WIRE (FLAT TYPE) (19 CORE)	
164	1-830-461-11	WIRE (FLAT TYPE) (11 CORE)	
165	1-830-761-11	WIRE (FLAT TYPE) (13 CORE) (FX1000W)	
167	1-830-543-11	WIRE (FLAT TYPE) (13 CORE) (FX999W)	
311	1-828-399-11	WIRE (FLAT TYPE) (27 CORE)	
△ 601	8-820-291-02	OPTICAL PICK-UP (KHM-310CAB/C2RP)	
△ F901	1-532-506-33	FUSE (T6.3AL/250V) (FX999W:E3, E13, SP, AUS/FX1000W)	
△ F901	1-532-749-11	FUSE, GLASS TUBE (T8AL/125V) (FX999W:MX,TW)	
△ F901	1-533-949-33	FUSE, CYLINDRICAL (TIME LUG) (T8AL/250V) (FX999W:E32)	
M761	A-4735-953-A	MOTOR (STOCKER) ASSY (STOCKER)	
M771	A-4735-953-A	MOTOR (STOCKER) ASSY (MODE)	
M781	A-4735-953-A	MOTOR (STOCKER) ASSY (ROLLER)	
S702	1-477-299-11	ENCODER, ROTARY (STOCKER POSITION)	
S771	1-477-300-11	ENCODER, ROTARY (MODE)	

MEMO

HCD-FX999W/FX1000W

SONY®

SERVICE MANUAL

Ver. 1.2 2005.10

E Model
HCD-FX999W/FX1000W
Australian Model
HCD-FX999W

SUPPLEMENT-1

Subject: MAIN board changed to suffix-15 from suffix-14

* HCD-FX999W : E13 model (220-230V AC area in E model), Taiwan model and HCD-FX1000W used suffix-15 of MAIN board.

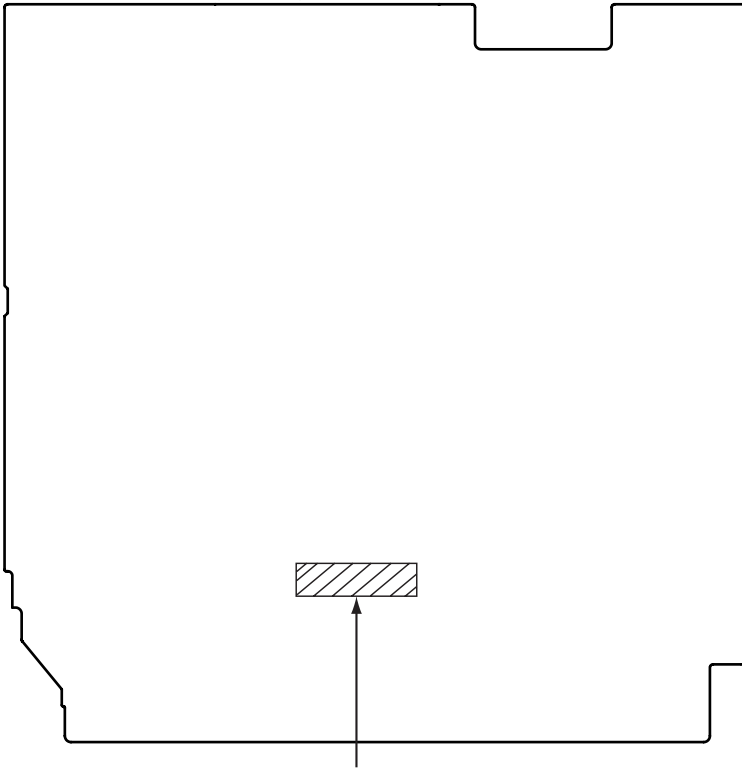
HCD-FX999W/FX1000W

Part number of printed wiring board changed to suffix-15 from suffix-14.
It has any difference between suffix-14 and suffix-15.
This supplement-1 describes the difference in the two boards.
Refer to original service manual (9-879-743-0□) for other information.

- **How to distinguish**

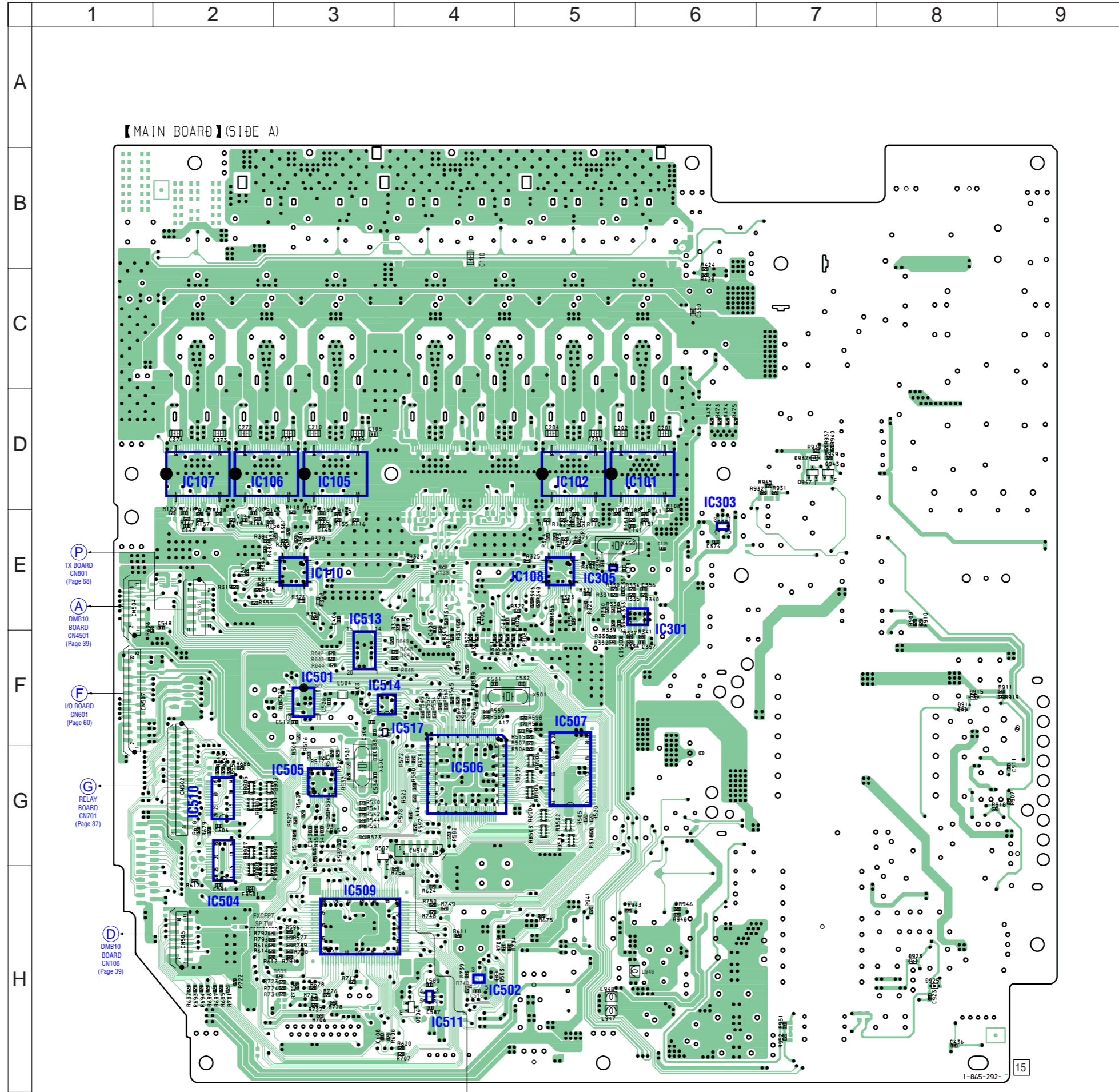
Location of parts number on changed printed wiring board

【 MAIN BOARD 】(SIDE A)



Before change: 1-865-292-14
After change: 1-865-292-15

PRINTED WIRING BOARD – MAIN SECTION (SIDE A) –  :Uses unleaded solder.



• Semiconductor Location

Ref. No.	Location
D503	H-4
D914	F-8
D915	F-8
D923	H-8
D925	H-8
D932	D-7
IC101	D-6
IC102	D-5
IC105	D-3
IC106	D-2
IC107	D-2
IC108	E-5
IC110	E-3
IC301	E-6
IC303	D-6
IC305	E-5
IC501	F-3
IC502	H-4
IC504	H-2
IC505	G-3
IC506	G-4
IC507	F-5
IC509	H-3
IC510	G-2
IC511	H-4
IC513	E-3
IC514	F-3
IC517	F-4
Q506	H-4
Q507	G-3
Q943	D-7
Q947	D-7

(P) TX BOARD
CN801
(Page 68)

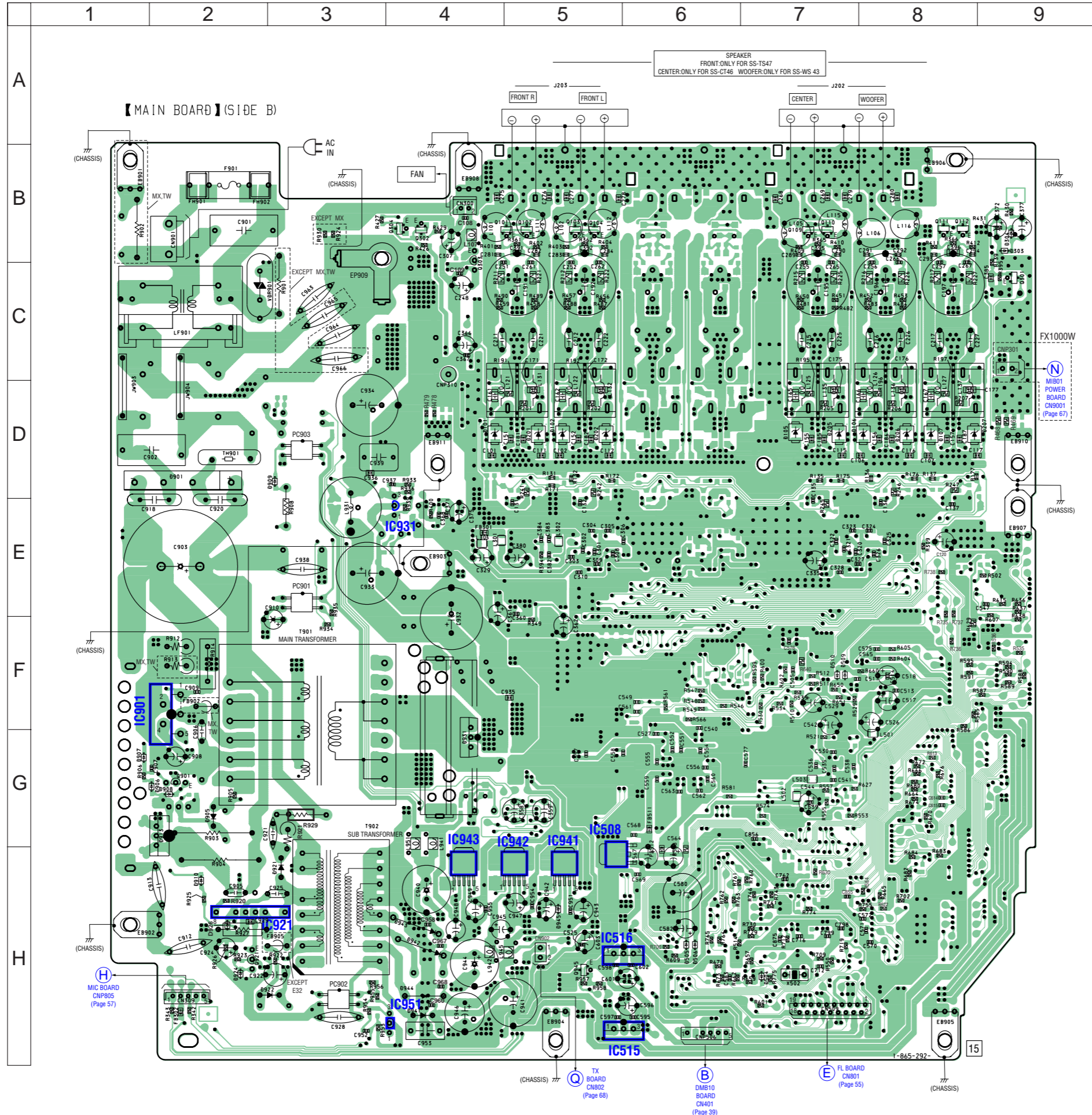
(A) DM810
BOARD
CN4501
(Page 39)

(F) IO BOARD
CN601
(Page 60)

(G) RELAY
BOARD
CN701
(Page 37)

(D) DM810
BOARD
CN106
(Page 39)

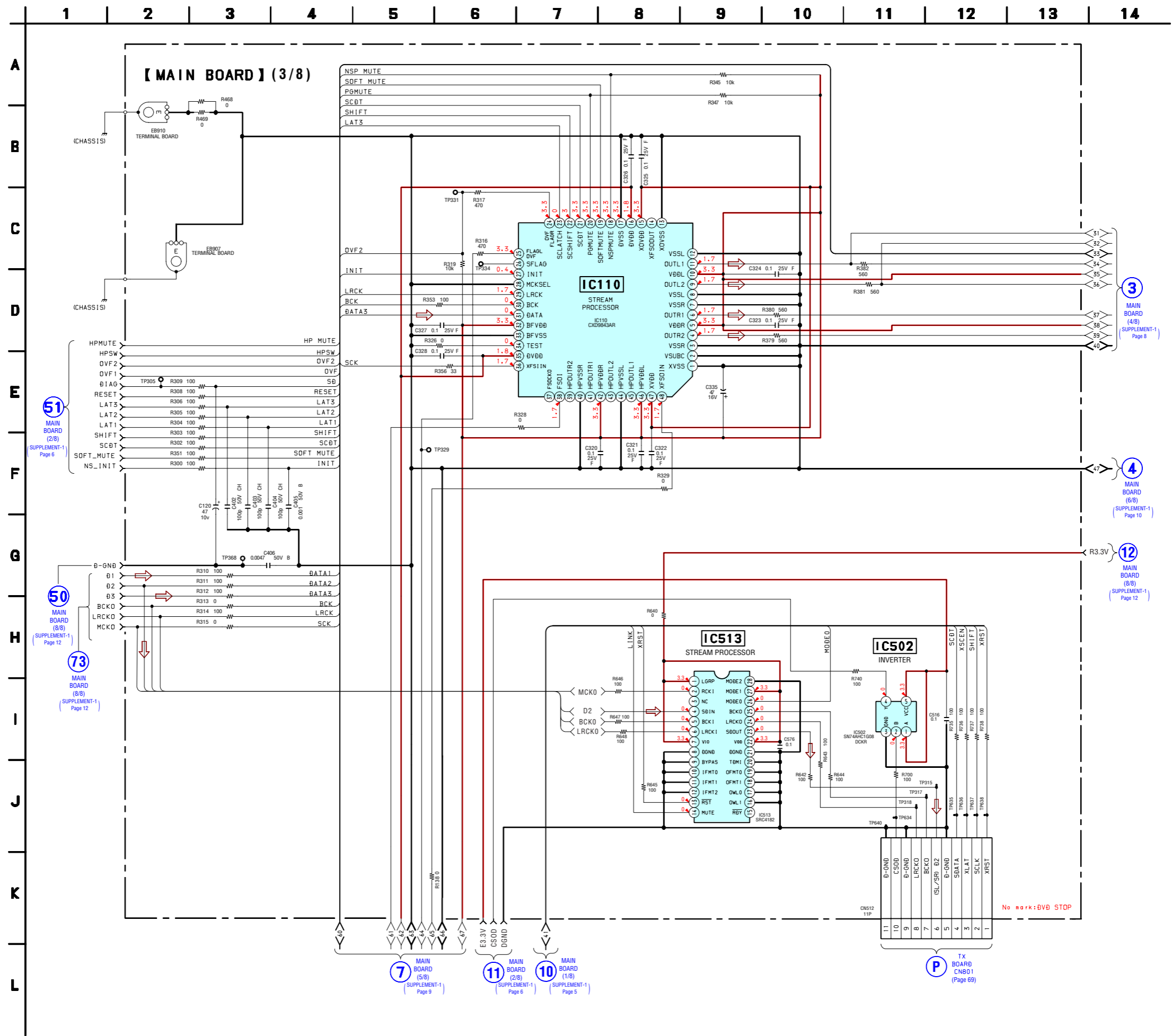
for PROGRAM WRITER

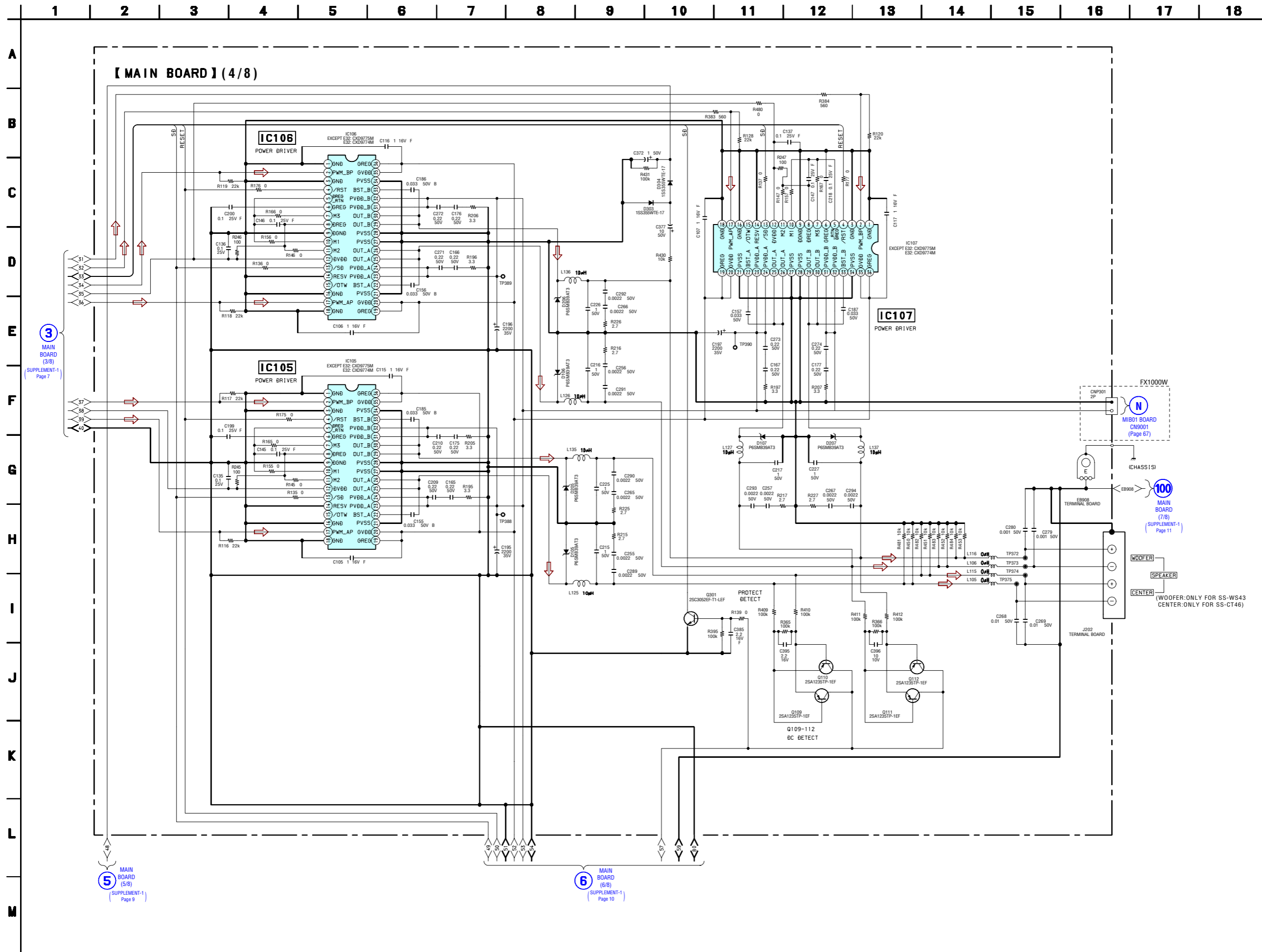


• Semiconductor Location

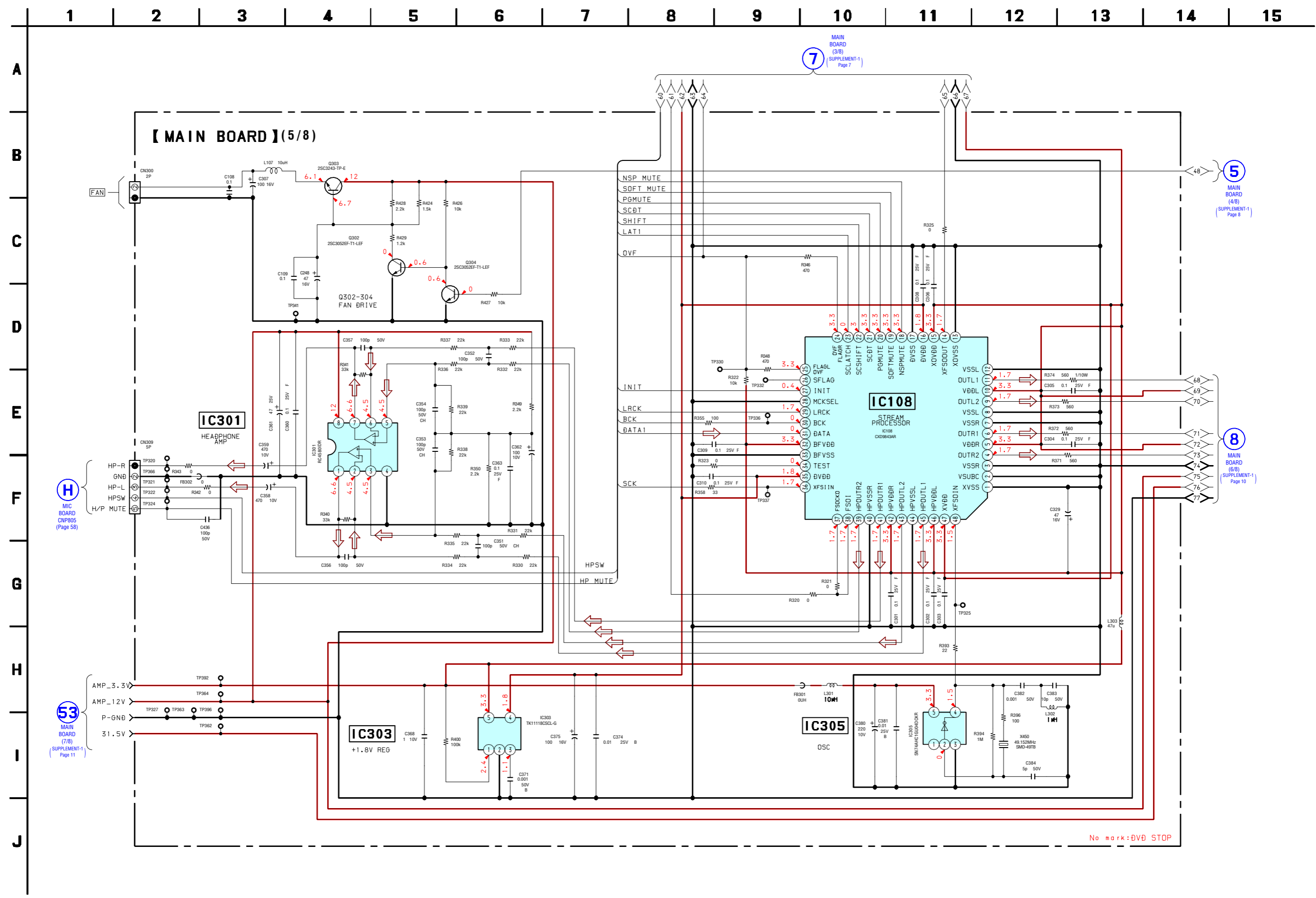
Ref. No.	Location
D101	D-4
D102	D-5
D105	D-7
D106	D-8
D107	D-8
D201	D-5
D202	D-5
D205	D-7
D206	D-8
D207	D-9
D303	B-9
D304	B-9
D504	H-7
D505	H-6
D506	H-6
D509	F-7
D510	F-7
D901	D-2
D905	G-2
D906	G-2
D907	G-1
D908	G-2
D909	D-3
D910	H-2
D913	G-2
D921	H-3
D922	H-3
D924	H-2
D931	F-4
D941	H-4
D942	H-4
D943	H-4
D944	H-4
D945	H-5
IC508	G-5
IC515	H-5
IC516	H-5
IC901	F-1
IC921	H-3
IC931	E-4
IC941	G-5
IC942	G-5
IC943	G-4
IC951	H-4
Q101	B-4
Q102	B-5
Q103	B-5
Q104	B-5
Q109	B-7
Q110	B-7
Q111	B-8
Q112	B-8
Q301	C-9
Q302	B-4
Q303	B-4
Q304	B-4
Q901	G-2
Q921	H-2
Q945	H-5

SCHEMATIC DIAGRAM - MAIN SECTION (3/8) -

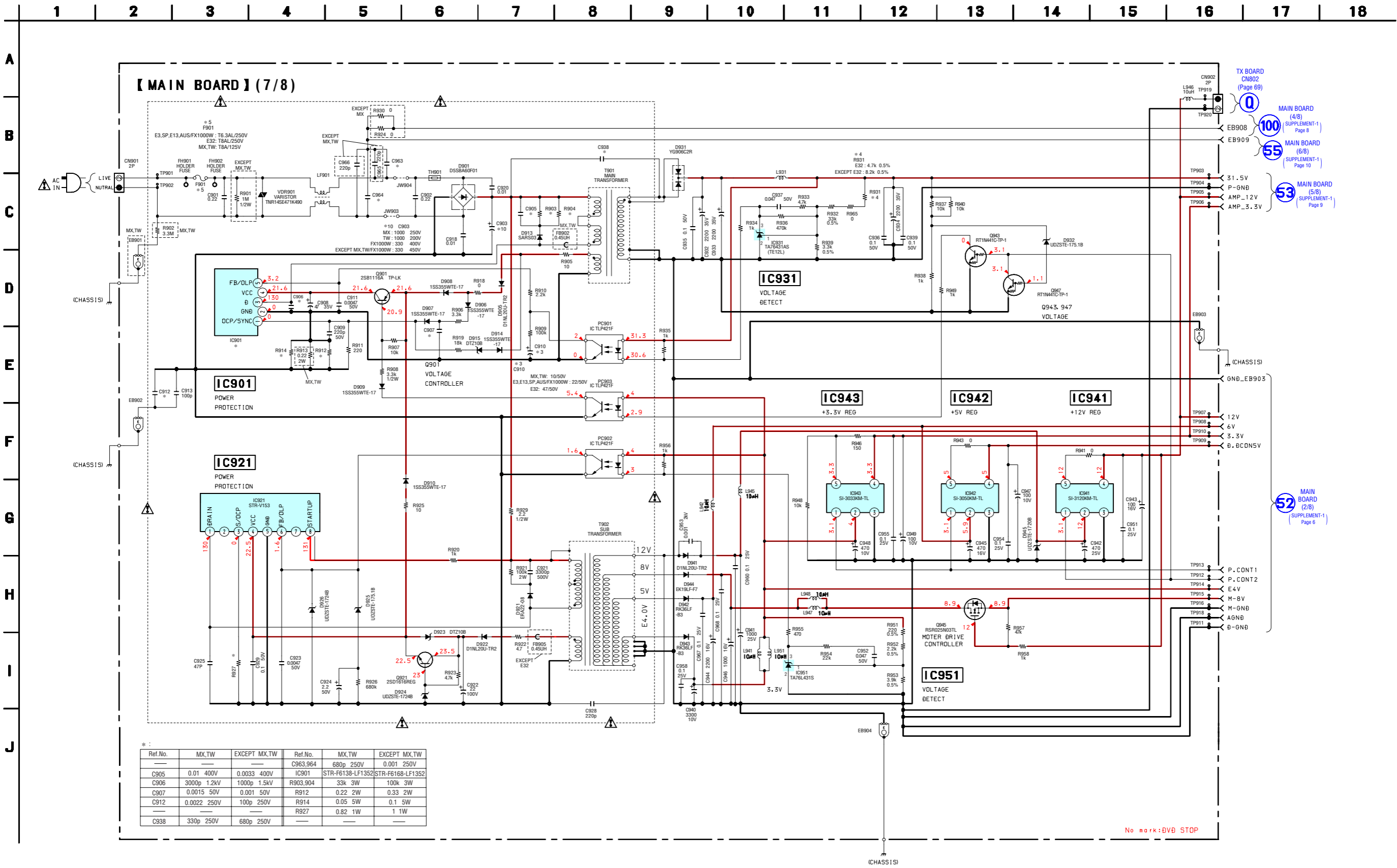




SCHEMATIC DIAGRAM – MAIN SECTION (5/8) –

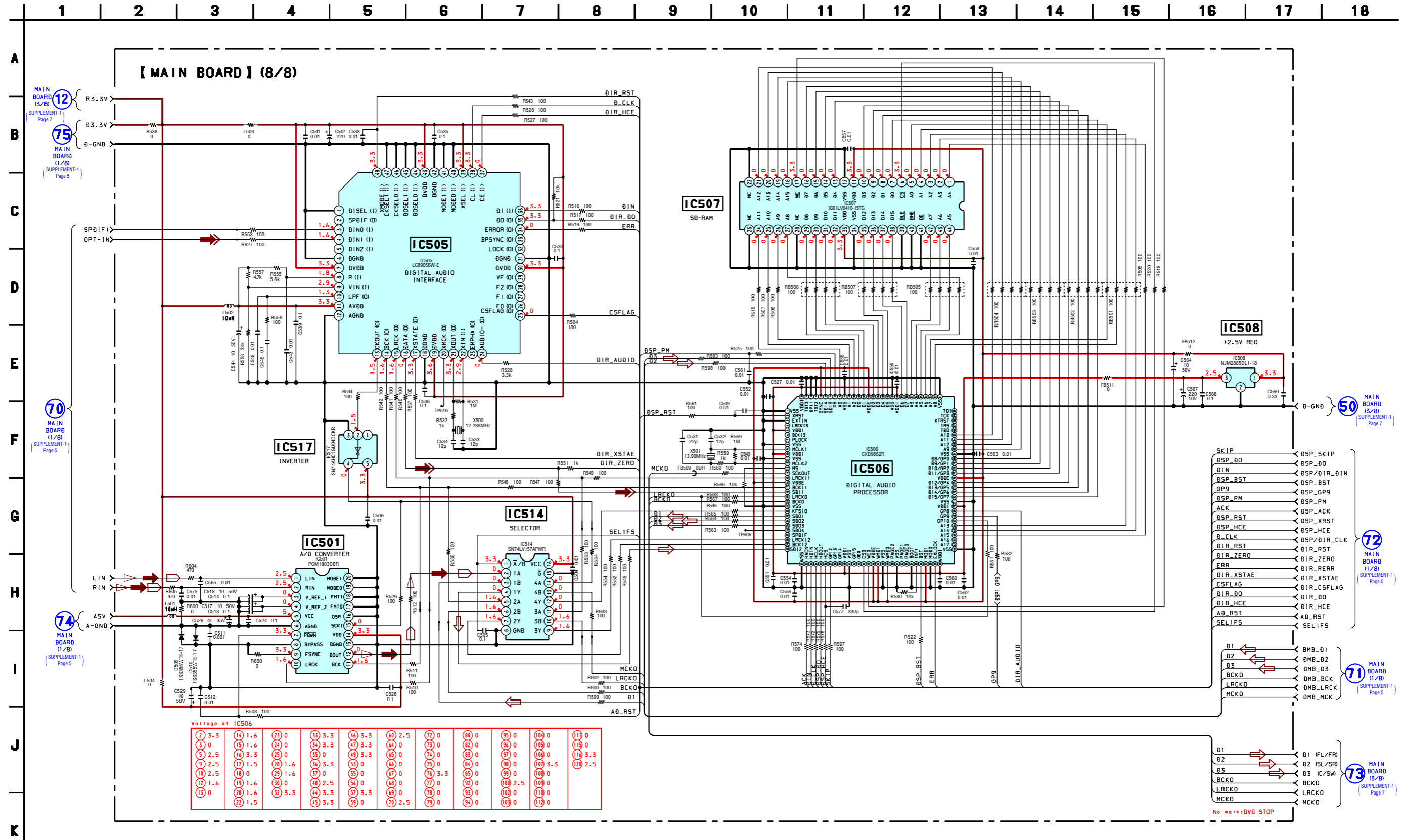


SCHEMATIC DIAGRAM – MAIN SECTION (7/8) –



- TX BOARD CN802 (Page 69)
- MAIN BOARD (4/8) SUPPLEMENT-1 (Page 8)
- MAIN BOARD (6/8) SUPPLEMENT-1 (Page 10)
- MAIN BOARD (5/8) SUPPLEMENT-1 (Page 9)
- MAIN BOARD (2/8) SUPPLEMENT-1 (Page 6)

No mark: DVB STOP



ELECTRICAL PARTS LIST

MAIN

NOTE:

- Due to standardization, replacements in the parts list may be different from the parts specified in the diagrams or the components used on the set.
- -XX and -X mean standardized parts, so they may have some difference from the original one.
- Items marked “*” are not stocked since they are seldom required for routine service. Some delay should be anticipated when ordering these items.
- CAPACITORS
uF: μ F
- COILS
uH: μ H

- RESISTORS
All resistors are in ohms.
METAL: Metal-film resistor.
METAL OXIDE: Metal oxide-film resistor.
F: nonflammable
- SEMICONDUCTORS
In each case, u: μ , for example:
uA. . : μ A. ., uPA. . : μ PA. .,
uPB. . : μ PB. ., uPC. . : μ PC. .,
uPD. . : μ PD. .
- Abbreviation
AUS : Australian model
E3 : 240V AC area in E model
E13 : 220-230V AC area in E model
E32 : 110-240V AC area in E model

When indicating parts by reference number, please include the board name.

The components identified by mark \triangle or dotted line with mark \triangle are critical for safety. Replace only with part number specified.

MX : Mexican model
SP : Singapore model
TW : Taiwan model

Ref. No.	Part No.	Description	Remark	Ref. No.	Part No.	Description	Remark
	A-1111-256-A	MAIN BOARD, COMPLETE (FX999W:E3)		C166	1-125-898-91	CERAMIC CHIP 0.22uF 10%	50V
	A-1111-308-A	MAIN BOARD, COMPLETE (FX1000W)		C167	1-125-898-91	CERAMIC CHIP 0.22uF 10%	50V
	A-1114-652-A	MAIN BOARD, COMPLETE (FX999W:SP)					
	A-1114-777-A	MAIN BOARD, COMPLETE (FX999W:MX)		C171	1-125-898-91	CERAMIC CHIP 0.22uF 10%	50V
	A-1114-818-A	MAIN BOARD, COMPLETE (FX999W:E32)		C172	1-125-898-91	CERAMIC CHIP 0.22uF 10%	50V
				C175	1-125-898-91	CERAMIC CHIP 0.22uF 10%	50V
	A-1114-840-A	MAIN BOARD, COMPLETE (FX999W:AUS)		C176	1-125-898-91	CERAMIC CHIP 0.22uF 10%	50V
	A-1118-285-A	MAIN BOARD, COMPLETE (FX999W:TW)		C177	1-125-898-91	CERAMIC CHIP 0.22uF 10%	50V
	A-1128-235-A	MAIN BOARD, COMPLETE (FX999W:E13)					
		*****		C181	1-115-185-11	CERAMIC CHIP 0.033uF 10%	50V
				C182	1-115-185-11	CERAMIC CHIP 0.033uF 10%	50V
	7-685-647-79	SCREW +BVTP 3X10 TYPE2 IT-3		C185	1-115-185-11	CERAMIC CHIP 0.033uF 10%	50V
		< CAPACITOR >		C186	1-115-185-11	CERAMIC CHIP 0.033uF 10%	50V
				C187	1-115-185-11	CERAMIC CHIP 0.033uF 10%	50V
C101	1-164-346-11	CERAMIC CHIP 1uF	16V	C188	1-164-156-11	CERAMIC CHIP 0.1uF	25V
C102	1-164-346-11	CERAMIC CHIP 1uF	16V	C189	1-164-156-11	CERAMIC CHIP 0.1uF	25V
C105	1-164-346-11	CERAMIC CHIP 1uF	16V	C191	1-107-898-11	ELECT 2200uF 20%	35V
C106	1-164-346-11	CERAMIC CHIP 1uF	16V	C192	1-107-898-11	ELECT 2200uF 20%	35V
C107	1-164-346-11	CERAMIC CHIP 1uF	16V	C195	1-107-898-11	ELECT 2200uF 20%	35V
C108	1-100-566-91	CERAMIC CHIP 0.1uF	10% 25V	C196	1-107-898-11	ELECT 2200uF 20%	35V
C109	1-100-566-91	CERAMIC CHIP 0.1uF	10% 25V	C197	1-107-898-11	ELECT 2200uF 20%	35V
C110	1-163-205-00	CERAMIC CHIP 0.001uF	10% 50V	C199	1-164-156-11	CERAMIC CHIP 0.1uF	25V
C111	1-164-346-11	CERAMIC CHIP 1uF	16V	C200	1-164-156-11	CERAMIC CHIP 0.1uF	25V
C112	1-164-346-11	CERAMIC CHIP 1uF	16V	C201	1-125-898-91	CERAMIC CHIP 0.22uF 10%	50V
C115	1-164-346-11	CERAMIC CHIP 1uF	16V	C202	1-125-898-91	CERAMIC CHIP 0.22uF 10%	50V
C116	1-164-346-11	CERAMIC CHIP 1uF	16V	C203	1-125-898-91	CERAMIC CHIP 0.22uF 10%	50V
C117	1-164-346-11	CERAMIC CHIP 1uF	16V	C204	1-125-898-91	CERAMIC CHIP 0.22uF 10%	50V
C119	1-162-927-11	CERAMIC CHIP 100PF	5% 50V	C209	1-125-898-91	CERAMIC CHIP 0.22uF 10%	50V
C120	1-126-947-11	ELECT 47uF	20% 35V	C210	1-125-898-91	CERAMIC CHIP 0.22uF 10%	50V
C131	1-164-156-11	CERAMIC CHIP 0.1uF	25V	C211	1-136-177-00	FILM 1uF 5%	50V
C132	1-164-156-11	CERAMIC CHIP 0.1uF	25V	C212	1-136-177-00	FILM 1uF 5%	50V
C135	1-164-156-11	CERAMIC CHIP 0.1uF	25V	C215	1-136-177-00	FILM 1uF 5%	50V
C136	1-164-156-11	CERAMIC CHIP 0.1uF	25V	C216	1-136-177-00	FILM 1uF 5%	50V
C137	1-164-156-11	CERAMIC CHIP 0.1uF	25V	C217	1-136-177-00	FILM 1uF 5%	50V
C141	1-164-156-11	CERAMIC CHIP 0.1uF	25V	C218	1-164-156-11	CERAMIC CHIP 0.1uF	25V
C142	1-164-156-11	CERAMIC CHIP 0.1uF	25V	C221	1-136-177-00	FILM 1uF 5%	50V
C145	1-164-156-11	CERAMIC CHIP 0.1uF	25V	C222	1-136-177-00	FILM 1uF 5%	50V
C146	1-164-156-11	CERAMIC CHIP 0.1uF	25V	C225	1-136-177-00	FILM 1uF 5%	50V
C147	1-164-156-11	CERAMIC CHIP 0.1uF	25V	C226	1-136-177-00	FILM 1uF 5%	50V
C151	1-115-185-11	CERAMIC CHIP 0.033uF	10% 50V	C227	1-136-177-00	FILM 1uF 5%	50V
C152	1-115-185-11	CERAMIC CHIP 0.033uF	10% 50V	C248	1-126-947-11	ELECT 47uF 20%	35V
C155	1-115-185-11	CERAMIC CHIP 0.033uF	10% 50V	C251	1-162-966-11	CERAMIC CHIP 0.0022uF 10%	50V
C156	1-115-185-11	CERAMIC CHIP 0.033uF	10% 50V	C252	1-162-966-11	CERAMIC CHIP 0.0022uF 10%	50V
C157	1-115-185-11	CERAMIC CHIP 0.033uF	10% 50V	C255	1-162-966-11	CERAMIC CHIP 0.0022uF 10%	50V
C161	1-125-898-91	CERAMIC CHIP 0.22uF	10% 50V	C256	1-162-966-11	CERAMIC CHIP 0.0022uF 10%	50V
C162	1-125-898-91	CERAMIC CHIP 0.22uF	10% 50V	C257	1-162-966-11	CERAMIC CHIP 0.0022uF 10%	50V
C165	1-125-898-91	CERAMIC CHIP 0.22uF	10% 50V	C261	1-162-966-11	CERAMIC CHIP 0.0022uF 10%	50V

HCD-FX999W/FX1000W

MAIN

Ref. No.	Part No.	Description	Remark	Ref. No.	Part No.	Description	Remark
C262	1-162-966-11	CERAMIC CHIP	0.0022uF 10% 50V	C361	1-126-947-11	ELECT	47uF 20% 35V
C265	1-162-966-11	CERAMIC CHIP	0.0022uF 10% 50V	C362	1-104-658-91	ELECT	100uF 20% 10V
C266	1-162-966-11	CERAMIC CHIP	0.0022uF 10% 50V	C363	1-164-156-11	CERAMIC CHIP	0.1uF 25V
C267	1-162-966-11	CERAMIC CHIP	0.0022uF 10% 50V	C366	1-126-934-11	ELECT	220uF 20% 16V
C268	1-163-021-91	CERAMIC CHIP	0.01uF 10% 50V	C367	1-164-156-11	CERAMIC CHIP	0.1uF 25V
C269	1-163-021-91	CERAMIC CHIP	0.01uF 10% 50V	C368	1-165-908-11	CERAMIC CHIP	1uF 10% 10V
C271	1-125-898-91	CERAMIC CHIP	0.22uF 10% 50V	C371	1-162-964-11	CERAMIC CHIP	0.001uF 10% 50V
C272	1-125-898-91	CERAMIC CHIP	0.22uF 10% 50V	C372	1-126-960-11	ELECT	1uF 20% 50V
C273	1-125-898-91	CERAMIC CHIP	0.22uF 10% 50V	C374	1-162-970-11	CERAMIC CHIP	0.01uF 10% 25V
C274	1-125-898-91	CERAMIC CHIP	0.22uF 10% 50V	C375	1-126-933-11	ELECT	100uF 20% 16V
C275	1-163-021-91	CERAMIC CHIP	0.01uF 10% 50V	C377	1-126-964-11	ELECT	10uF 20% 50V
C276	1-163-021-91	CERAMIC CHIP	0.01uF 10% 50V	C380	1-126-923-91	ELECT	220uF 20% 10V
C277	1-163-021-91	CERAMIC CHIP	0.01uF 10% 50V	C381	1-162-970-11	CERAMIC CHIP	0.01uF 10% 25V
C278	1-163-021-91	CERAMIC CHIP	0.01uF 10% 50V	C382	1-162-964-11	CERAMIC CHIP	0.001uF 10% 50V
C279	1-163-009-91	CERAMIC CHIP	0.001uF 10% 50V	C383	1-162-915-11	CERAMIC CHIP	10PF 0.5PF 50V
C280	1-163-009-91	CERAMIC CHIP	0.001uF 10% 50V	C384	1-162-910-11	CERAMIC CHIP	5PF 0.25PF 50V
C281	1-162-966-11	CERAMIC CHIP	0.0022uF 10% 50V	C385	1-164-505-11	CERAMIC CHIP	2.2uF 16V
C282	1-162-966-11	CERAMIC CHIP	0.0022uF 10% 50V	C391	1-164-505-11	CERAMIC CHIP	2.2uF 16V
C283	1-162-966-11	CERAMIC CHIP	0.0022uF 10% 50V	C392	1-164-505-11	CERAMIC CHIP	2.2uF 16V
C284	1-162-966-11	CERAMIC CHIP	0.0022uF 10% 50V	C395	1-164-505-11	CERAMIC CHIP	2.2uF 16V
C289	1-162-966-11	CERAMIC CHIP	0.0022uF 10% 50V	C396	1-117-370-11	CERAMIC CHIP	10uF 10V
C290	1-162-966-11	CERAMIC CHIP	0.0022uF 10% 50V	C402	1-162-927-11	CERAMIC CHIP	100PF 5% 50V
C291	1-162-966-11	CERAMIC CHIP	0.0022uF 10% 50V	C403	1-162-927-11	CERAMIC CHIP	100PF 5% 50V
C292	1-162-966-11	CERAMIC CHIP	0.0022uF 10% 50V	C404	1-162-927-11	CERAMIC CHIP	100PF 5% 50V
C293	1-162-966-11	CERAMIC CHIP	0.0022uF 10% 50V	C405	1-162-964-11	CERAMIC CHIP	0.001uF 10% 50V
C294	1-162-966-11	CERAMIC CHIP	0.0022uF 10% 50V	C406	1-162-968-11	CERAMIC CHIP	0.0047uF 10% 50V
C301	1-164-156-11	CERAMIC CHIP	0.1uF 25V	C436	1-162-927-11	CERAMIC CHIP	100PF 5% 50V
C302	1-164-156-11	CERAMIC CHIP	0.1uF 25V	C504	1-162-970-11	CERAMIC CHIP	0.01uF 10% 25V
C303	1-164-156-11	CERAMIC CHIP	0.1uF 25V	C505	1-107-826-11	CERAMIC CHIP	0.1uF 10% 16V
C304	1-164-156-11	CERAMIC CHIP	0.1uF 25V	C506	1-162-970-11	CERAMIC CHIP	0.01uF 10% 25V
C305	1-164-156-11	CERAMIC CHIP	0.1uF 25V	C511	1-162-964-11	CERAMIC CHIP	0.001uF 10% 50V
C306	1-164-156-11	CERAMIC CHIP	0.1uF 25V	C512	1-162-970-11	CERAMIC CHIP	0.01uF 10% 25V
C307	1-126-933-11	ELECT	100uF 20% 16V	C513	1-107-826-11	CERAMIC CHIP	0.1uF 10% 16V
C308	1-164-156-11	CERAMIC CHIP	0.1uF 25V	C514	1-107-826-11	CERAMIC CHIP	0.1uF 10% 16V
C309	1-164-156-11	CERAMIC CHIP	0.1uF 25V	C516	1-107-826-11	CERAMIC CHIP	0.1uF 10% 16V
C310	1-164-156-11	CERAMIC CHIP	0.1uF 25V	C517	1-126-964-11	ELECT	10uF 20% 50V
C320	1-164-156-11	CERAMIC CHIP	0.1uF 25V	C518	1-126-964-11	ELECT	10uF 20% 50V
C321	1-164-156-11	CERAMIC CHIP	0.1uF 25V	C524	1-107-826-11	CERAMIC CHIP	0.1uF 10% 16V
C322	1-164-156-11	CERAMIC CHIP	0.1uF 25V	C525	1-107-826-11	CERAMIC CHIP	0.1uF 10% 16V
C323	1-164-156-11	CERAMIC CHIP	0.1uF 25V	C526	1-126-947-11	ELECT	47uF 20% 35V
C324	1-164-156-11	CERAMIC CHIP	0.1uF 25V	C527	1-107-726-91	CERAMIC CHIP	0.01uF 10% 16V
C325	1-164-156-11	CERAMIC CHIP	0.1uF 25V	C528	1-107-826-11	CERAMIC CHIP	0.1uF 10% 16V
C326	1-164-156-11	CERAMIC CHIP	0.1uF 25V	C529	1-126-964-11	ELECT	10uF 20% 50V
C327	1-164-156-11	CERAMIC CHIP	0.1uF 25V	C530	1-107-826-11	CERAMIC CHIP	0.1uF 10% 16V
C328	1-164-156-11	CERAMIC CHIP	0.1uF 25V	C531	1-162-919-11	CERAMIC CHIP	22PF 5% 50V
C329	1-126-947-11	ELECT	47uF 20% 35V	C532	1-162-916-11	CERAMIC CHIP	12PF 5% 50V
C335	1-126-947-11	ELECT	47uF 20% 35V	C533	1-162-916-11	CERAMIC CHIP	12PF 5% 50V
C350	1-115-339-11	CERAMIC CHIP	0.1uF 10% 50V	C534	1-162-916-11	CERAMIC CHIP	12PF 5% 50V
C351	1-162-927-11	CERAMIC CHIP	100PF 5% 50V	C535	1-107-826-11	CERAMIC CHIP	0.1uF 10% 16V
C352	1-162-927-11	CERAMIC CHIP	100PF 5% 50V	C536	1-107-826-11	CERAMIC CHIP	0.1uF 10% 16V
C353	1-162-927-11	CERAMIC CHIP	100PF 5% 50V	C538	1-107-726-91	CERAMIC CHIP	0.01uF 10% 16V
C354	1-162-927-11	CERAMIC CHIP	100PF 5% 50V	C539	1-107-826-11	CERAMIC CHIP	0.1uF 10% 16V
C356	1-162-927-11	CERAMIC CHIP	100PF 5% 50V	C540	1-107-726-91	CERAMIC CHIP	0.01uF 10% 16V
C357	1-162-927-11	CERAMIC CHIP	100PF 5% 50V	C541	1-107-726-91	CERAMIC CHIP	0.01uF 10% 16V
C358	1-126-925-91	ELECT	470uF 20% 10V	C542	1-126-923-91	ELECT	220uF 20% 10V
C359	1-126-925-91	ELECT	470uF 20% 10V	C543	1-107-726-91	CERAMIC CHIP	0.01uF 10% 16V
C360	1-164-156-11	CERAMIC CHIP	0.1uF 25V	C544	1-126-964-11	ELECT	10uF 20% 50V
				C545	1-107-826-11	CERAMIC CHIP	0.1uF 10% 16V

Ref. No.	Part No.	Description	Remark	Ref. No.	Part No.	Description	Remark
C546	1-107-726-91	CERAMIC CHIP	0.01uF 10% 16V				
C547	1-162-923-11	CERAMIC CHIP	47PF 5% 50V				
C548	1-216-864-11	SHORT CHIP	0				
C549	1-107-726-91	CERAMIC CHIP	0.01uF 10% 16V				
C551	1-107-726-91	CERAMIC CHIP	0.01uF 10% 16V				
C552	1-107-726-91	CERAMIC CHIP	0.01uF 10% 16V				
C554	1-107-726-91	CERAMIC CHIP	0.01uF 10% 16V				
C555	1-107-726-91	CERAMIC CHIP	0.01uF 10% 16V				
C556	1-107-726-91	CERAMIC CHIP	0.01uF 10% 16V				
C557	1-107-726-91	CERAMIC CHIP	0.01uF 10% 16V				
C558	1-107-726-91	CERAMIC CHIP	0.01uF 10% 16V				
C559	1-107-726-91	CERAMIC CHIP	0.01uF 10% 16V				
C560	1-107-726-91	CERAMIC CHIP	0.01uF 10% 16V				
C561	1-107-726-91	CERAMIC CHIP	0.01uF 10% 16V				
C562	1-107-726-91	CERAMIC CHIP	0.01uF 10% 16V				
C563	1-107-726-91	CERAMIC CHIP	0.01uF 10% 16V				
C564	1-126-964-11	ELECT	10uF 20% 50V				
C565	1-107-726-91	CERAMIC CHIP	0.01uF 10% 16V				
C567	1-126-923-91	ELECT	220uF 20% 10V				
C568	1-107-826-11	CERAMIC CHIP	0.1uF 10% 16V				
C569	1-165-112-11	CERAMIC CHIP	0.33uF 16V				
C570	1-107-826-11	CERAMIC CHIP	0.1uF 10% 16V				
C571	1-107-826-11	CERAMIC CHIP	0.1uF 10% 16V				
C572	1-107-826-11	CERAMIC CHIP	0.1uF 10% 16V				
C575	1-107-726-91	CERAMIC CHIP	0.01uF 10% 16V				
C576	1-107-826-11	CERAMIC CHIP	0.1uF 10% 16V				
C577	1-162-961-11	CERAMIC CHIP	330PF 10% 50V				
C580	1-126-916-11	ELECT	1000uF 20% 6.3V				
C582	1-104-658-91	ELECT	100uF 20% 10V				
C583	1-115-467-11	CERAMIC CHIP	0.22uF 10% 10V				
C587	1-115-467-11	CERAMIC CHIP	0.22uF 10% 10V				
C589	1-107-826-11	CERAMIC CHIP	0.1uF 10% 16V				
C594	1-107-826-11	CERAMIC CHIP	0.1uF 10% 16V				
C595	1-107-826-11	CERAMIC CHIP	0.1uF 10% 16V				
C596	1-126-947-11	ELECT	47uF 20% 35V				
C597	1-165-112-11	CERAMIC CHIP	0.33uF 16V				
C598	1-165-112-11	CERAMIC CHIP	0.33uF 16V				
C601	1-126-947-11	ELECT	47uF 20% 35V				
C602	1-107-826-11	CERAMIC CHIP	0.1uF 10% 16V				
C603	1-104-658-91	ELECT	100uF 20% 10V				
C606	1-107-826-11	CERAMIC CHIP	0.1uF 10% 16V				
C608	1-162-953-11	CERAMIC CHIP	100PF 5% 50V				
C614	1-107-726-91	CERAMIC CHIP	0.01uF 10% 16V				
C615	1-107-726-91	CERAMIC CHIP	0.01uF 10% 16V				
C712	1-107-826-11	CERAMIC CHIP	0.1uF 10% 16V				
C716	1-107-826-11	CERAMIC CHIP	0.1uF 10% 16V				
C762	1-107-826-11	CERAMIC CHIP	0.1uF 10% 16V				
C798	1-107-826-11	CERAMIC CHIP	0.1uF 10% 16V				
C799	1-107-826-11	CERAMIC CHIP	0.1uF 10% 16V				
C855	1-107-826-11	CERAMIC CHIP	0.1uF 10% 16V				
C856	1-107-826-11	CERAMIC CHIP	0.1uF 10% 16V				
C875	1-162-970-11	CERAMIC CHIP	0.01uF 10% 25V				
△C901	1-165-529-11	MYLAR	0.22uF 10 275V				
△C902	1-165-529-11	MYLAR	0.22uF 10 275V				
△C903	1-112-330-11	ELECT (BLOCK)	1000uF 20% 200V (FX999W:TW)				
△C903	1-112-331-11	ELECT (BLOCK)	1000uF 20% 250V (FX999W:MX)				
△C903	1-112-332-11	ELECT (BLOCK)	330uF 20% 400V (FX1000W)				
△C903	1-112-333-11	ELECT (BLOCK)	330uF 20% 450V (EXCEPT FX999W:MX, TW/FX1000W)				
△C905	1-112-334-91	FILM	0.01uF 5% 400V (FX999W:MX, TW)				
△C905	1-112-335-91	FILM	0.0033uF 5% 400V (EXCEPT FX999W:MX, TW)				
△C906	1-117-631-11	CAP, METALIZED PP FILM	3300PF 3% 1.2KV (FX999W:MX, TW)				
△C906	1-117-815-11	FILM	1000PF 3% 1.5KV (EXCEPT FX999W:MX, TW)				
△C907	1-162-964-11	CERAMIC CHIP	0.001uF 10% 50V (EXCEPT FX999W:MX, TW)				
△C907	1-162-965-11	CERAMIC CHIP	0.0015uF 10% 50V (FX999W:MX, TW)				
△C908	1-107-909-11	ELECT	47uF 20% 50V				
△C909	1-162-960-11	CERAMIC CHIP	220PF 10% 50V				
△C910	1-107-906-11	ELECT	10uF 20% 50V (FX999W:MX, TW)				
△C910	1-107-907-11	ELECT	22uF 20% 50V (FX999W:E3, E13, SP, AUS/FX1000W)				
△C910	1-107-909-11	ELECT	47uF 20% 50V (FX999W:E32)				
△C911	1-162-968-11	CERAMIC CHIP	0.0047uF 10% 50V				
△C912	1-117-693-11	CERAMIC	100PF 10% 250V (EXCEPT FX999W:MX, TW)				
△C912	1-113-907-51	CERAMIC	0.0022uF 20% 250V (FX999W:MX, TW)				
△C913	1-117-693-11	CERAMIC	100PF 10% 250V				
△C918	1-113-925-11	CERAMIC	0.01uF 20% 250V				
△C920	1-113-925-11	CERAMIC	0.01uF 20% 250V				
△C921	1-165-136-11	CERAMIC	3300PF 10% 500V				
△C922	1-128-560-11	ELECT	22uF 20% 100V				
△C923	1-162-968-11	CERAMIC CHIP	0.0047uF 10% 50V				
△C924	1-124-257-00	ELECT	2.2uF 20% 50V				
△C925	1-107-974-81	CERAMIC	47PF 5% 2KV				
△C928	1-113-896-11	CERAMIC	220PF 10% 250V				
△C929	1-115-339-11	CERAMIC CHIP	0.1uF 10% 50V				
C932	1-100-924-21	ELECT	2200uF 20% 35V				
C933	1-100-924-21	ELECT	2200uF 20% 35V				
C934	1-107-898-11	ELECT	2200uF 20% 35V				
C935	1-165-319-11	CERAMIC CHIP	0.1uF 50V				
C936	1-165-319-11	CERAMIC CHIP	0.1uF 50V				
C937	1-100-756-91	CERAMIC CHIP	0.047uF 50V				
△C938	1-113-898-11	CERAMIC	330PF 10% 250V (FX999W:MX, TW)				
△C938	1-117-698-51	CERAMIC	680PF 10% 250V (EXCEPT FX999W:MX, TW)				
C939	1-136-165-00	FILM	0.1uF 5% 50V				
C940	1-128-947-31	ELECT	3300uF 20% 10V				
C941	1-128-954-21	ELECT	1000uF 20% 25V				
C942	1-126-941-11	ELECT	470uF 20% 25V				
C943	1-126-933-11	ELECT	100uF 20% 16V				
C944	1-128-951-21	ELECT	2200uF 20% 16V				
C945	1-126-935-11	ELECT	470uF 20% 16V				
C946	1-128-950-21	ELECT	1000uF 20% 16V				
C947	1-104-658-91	ELECT	100uF 20% 10V				
C948	1-126-925-91	ELECT	470uF 20% 10V				
C949	1-165-722-31	ELECT	100uF 20% 10V				
C951	1-100-566-91	CERAMIC CHIP	0.1uF 10% 25V				
C952	1-100-756-91	CERAMIC CHIP	0.047uF 50V				

HCD-FX999W/FX1000W

Ver. 1.2

MAIN

Ref. No.	Part No.	Description	Remark
C953	1-117-214-11	CERAMIC 0.001uF 10% 2KV	
C954	1-100-566-91	CERAMIC CHIP 0.1uF 10% 25V	
C955	1-100-566-91	CERAMIC CHIP 0.1uF 10% 25V	
C958	1-100-566-91	CERAMIC CHIP 0.1uF 10% 25V	
C960	1-100-566-91	CERAMIC CHIP 0.1uF 10% 25V	
△C963	1-117-698-51	CERAMIC 680PF 10% 250V (FX999W:MX, TW)	
△C963	1-117-699-11	CERAMIC 0.001uF 99% 250V (EXCEPT FX999W:MX, TW)	
△C964	1-117-698-51	CERAMIC 680PF 10% 250V (FX999W:MX, TW)	
△C964	1-117-699-11	CERAMIC 0.001uF 99% 250V (EXCEPT FX999W:MX, TW)	
△C965	1-113-896-11	CERAMIC 220PF 10% 250V (EXCEPT FX999W:MX, TW)	
△C966	1-113-896-11	CERAMIC 220PF 10% 250V (EXCEPT FX999W:MX, TW)	
C967	1-100-566-91	CERAMIC CHIP 0.1uF 10% 25V	
C968	1-100-566-91	CERAMIC CHIP 0.1uF 10% 25V	
< CONNECTOR >			
CN300	1-564-704-11	PIN, CONNECTOR (SMALL TYPE) 2P	
* CN309	1-568-954-11	PIN, CONNECTOR 5P	
CN502	1-784-384-11	CONNECTOR, FFC/FPC 27P	
CN504	1-784-370-21	CONNECTOR, FFC/FPC 11P	
CN505	1-784-370-21	CONNECTOR, FFC/FPC 11P	
CN507	1-793-991-11	FFC/CONNECTOR, FPC (LIF (NON-ZIF)) 23P	
CN509	1-779-287-11	CONNECTOR, FFC (LIF (NON-ZIF)) 19P	
CN512	1-784-370-21	CONNECTOR, FFC/FPC 11P	
CN901	1-564-321-00	PIN, CONNECTOR (3.96mm PITCH) 2P	
CN902	1-564-505-11	PLUG, CONNECTOR 2P	
< DIODE >			
D101	6-500-260-01	DIODE P6SMB39AT3	
D102	6-500-260-01	DIODE P6SMB39AT3	
D105	6-500-260-01	DIODE P6SMB39AT3	
D106	6-500-260-01	DIODE P6SMB39AT3	
D107	6-500-260-01	DIODE P6SMB39AT3	
D201	6-500-260-01	DIODE P6SMB39AT3	
D202	6-500-260-01	DIODE P6SMB39AT3	
D205	6-500-260-01	DIODE P6SMB39AT3	
D206	6-500-260-01	DIODE P6SMB39AT3	
D207	6-500-260-01	DIODE P6SMB39AT3	
D303	6-501-193-01	DIODE 1SS355WTE-17	
D304	6-501-193-01	DIODE 1SS355WTE-17	
D503	6-501-193-01	DIODE 1SS355WTE-17	
D504	6-501-193-01	DIODE 1SS355WTE-17	
D505	6-501-193-01	DIODE 1SS355WTE-17	
D506	6-501-193-01	DIODE 1SS355WTE-17	
D509	6-501-193-01	DIODE 1SS355WTE-17	
D510	6-501-193-01	DIODE 1SS355WTE-17	
△D901	8-719-082-57	DIODE D5SBA60F01	
△D905	8-719-063-74	DIODE D1NL20U-TR2	
△D906	6-501-193-01	DIODE 1SS355WTE-17	
△D907	6-501-193-01	DIODE 1SS355WTE-17	
△D908	6-501-193-01	DIODE 1SS355WTE-17	
△D909	6-501-193-01	DIODE 1SS355WTE-17	
△D910	6-501-193-01	DIODE 1SS355WTE-17	
△D913	6-500-241-01	DIODE SARS03	

Ref. No.	Part No.	Description	Remark
△D914	6-501-193-01	DIODE 1SS355WTE-17	
△D915	8-719-977-28	DIODE DTZ10B	
△D921	8-719-948-45	DIODE ERA22-08	
△D922	8-719-063-74	DIODE D1NL20U-TR2	
△D923	8-719-977-28	DIODE DTZ10B	
△D924	8-719-083-69	DIODE UDZSTE-1724B	
△D925	8-719-069-54	DIODE UDZSTE-175.1B	
△D926	8-719-083-69	DIODE UDZSTE-1724B	
D931	6-500-383-01	DIODE YG906C2R	
D932	8-719-069-54	DIODE UDZSTE-175.1B	
D941	8-719-063-74	DIODE D1NL20U-TR2	
D942	8-719-080-53	DIODE RK36LF-B3	
D943	8-719-080-53	DIODE RK36LF-B3	
D944	6-500-288-11	DIODE EK19LF-F7	
D945	8-719-083-67	DIODE UDZSTE-1720B	
< TERMINAL BOARD >			
EB901	1-537-770-21	TERMINAL BOARD, GROUND	(FX999W:MX, TW)
EB902	1-537-770-21	TERMINAL BOARD, GROUND	
EB903	1-537-770-21	TERMINAL BOARD, GROUND	
EB904	1-537-770-21	TERMINAL BOARD, GROUND	
EB905	1-537-770-21	TERMINAL BOARD, GROUND	
EB906	1-537-770-21	TERMINAL BOARD, GROUND	
EB907	1-537-770-21	TERMINAL BOARD, GROUND	
EB908	1-537-770-21	TERMINAL BOARD, GROUND	
EB910	1-537-770-21	TERMINAL BOARD, GROUND	
EB911	1-537-770-21	TERMINAL BOARD, GROUND	
< FERRITE BEAD >			
FB301	1-469-760-21	FERRITE, EMI (SMD) (2012)	
FB302	1-216-295-91	SHORT CHIP 0	
FB501	1-216-295-91	SHORT CHIP 0	
FB509	1-469-121-21	FERRITE, EMI (SMD) (1608)	
FB511	1-216-295-91	SHORT CHIP 0	
FB512	1-216-295-91	SHORT CHIP 0	
△FB902	1-410-396-41	FERRITE 0.45uH (FX999W:MX, TW)	
△FB905	1-410-396-41	FERRITE 0.45uH (EXCEPT FX999W:E32)	
< IC >			
IC101	6-704-802-01	IC CXD9774M (FX999W:E32)	
IC101	6-705-695-01	IC CXD9775M (EXCEPT FX999W:E32)	
IC102	6-704-802-01	IC CXD9774M (FX999W:E32)	
IC102	6-705-695-01	IC CXD9775M (EXCEPT FX999W:E32)	
IC105	6-704-802-01	IC CXD9774M (FX999W:E32)	
IC105	6-705-695-01	IC CXD9775M (EXCEPT FX999W:E32)	
IC106	6-704-802-01	IC CXD9774M (FX999W:E32)	
IC106	6-705-695-01	IC CXD9775M (EXCEPT FX999W:E32)	
IC107	6-704-802-01	IC CXD9774M (FX999W:E32)	
IC107	6-705-695-01	IC CXD9775M (EXCEPT FX999W:E32)	
IC108	6-707-939-01	IC CXD9843AR	
IC110	6-707-939-01	IC CXD9843AR	
IC301	6-705-720-01	IC RC4580IDR	
IC303	6-702-300-01	IC TK11118CSC-LG	
IC305	8-759-649-50	IC SN74AHC1GU04DCKR	
IC501	6-707-608-01	IC PCM1803DBR	
IC502	8-759-649-46	IC SN74AHC1G08DCKR	

Ref. No.	Part No.	Description	Remark	Ref. No.	Part No.	Description	Remark
IC504	6-707-095-01	IC BH2210FV-E2		L946	1-414-398-11	INDUCTOR 10uH	
IC505	8-759-825-15	IC LC89056W-E		L947	1-414-398-11	INDUCTOR 10uH	
IC506	6-707-754-01	IC CXD9862R		L948	1-414-398-11	INDUCTOR 10uH	
IC507	6-704-037-01	IC IC61LV6416-15TG		L951	1-414-398-11	INDUCTOR 10uH	
IC508	6-707-485-01	IC NJM2885DL1-18 (TE2)				< LINE FILTER >	
IC509	6-805-474-01	IC M30622MGP-A14FPUO		△ LF901	1-457-054-11	LINE FILTER COIL (FX999W:MX, E32, TW)	
IC510	6-707-095-01	IC BH2210FV-E2		△ LF901	1-457-079-11	LINE FILTER COIL (FX999W:E3, E13, SP, AUS/FX1000W)	
IC511	6-701-680-01	IC PST3629NR				< IC >	
IC513	6-707-800-01	IC SRC4182		△ PC901	6-600-438-01	IC TLP421F (D4-GR)	
IC514	8-759-549-07	IC SN74LV157APWR		△ PC902	6-600-438-01	IC TLP421F (D4-GR)	
IC515	6-703-550-01	IC TA7809LS		△ PC903	6-600-438-01	IC TLP421F (D4-GR)	
IC516	6-703-547-01	IC TA7805LS				< TRANSISTOR >	
IC517	8-759-649-50	IC SN74AHC1GU04DCKR		Q101	8-729-600-22	TRANSISTOR 2SA1235-F	
△ IC901	6-707-741-01	IC STR-F6138-LF1352 (FX999W:MX, TW)		Q102	8-729-600-22	TRANSISTOR 2SA1235-F	
△ IC901	6-707-742-11	IC STR-F6168-LF1352 (EXCEPT FX999W:MX, TW)		Q103	8-729-600-22	TRANSISTOR 2SA1235-F	
△ IC921	6-707-740-01	IC STR-V153		Q104	8-729-600-22	TRANSISTOR 2SA1235-F	
IC931	8-759-648-34	IC TA76431AS (TPE6)		Q109	8-729-600-22	TRANSISTOR 2SA1235-F	
IC941	6-707-746-01	IC SI-3120KM-TL		Q110	8-729-600-22	TRANSISTOR 2SA1235-F	
IC942	6-707-745-10	IC SI-3050KM-TL		Q111	8-729-600-22	TRANSISTOR 2SA1235-F	
IC943	6-707-744-01	IC SI-3033KM-TL		Q112	8-729-600-22	TRANSISTOR 2SA1235-F	
IC951	6-707-743-01	IC TA76L431S (TPE6, Q)		Q301	8-729-120-28	TRANSISTOR 2SC1623-L5L6	
		< TERMINAL BOARD >		Q302	8-729-120-28	TRANSISTOR 2SC1623-L5L6	
J202	1-780-203-11	TERMINAL BOARD (SP) (2P) (SPEAKER)		Q303	6-550-702-01	TRANSISTOR 2SC3243-TP-E	
J203	1-780-224-11	TERMINAL BOARD (SP) (2P) (SPEAKER)		Q304	8-729-120-28	TRANSISTOR 2SC1623-L5L6	
		< COIL >		Q506	8-729-120-28	TRANSISTOR 2SC1623-L5L6	
L101	1-457-078-11	AIR-CORE COIL		Q507	8-729-027-23	TRANSISTOR DTA114EKA-T146	
L102	1-457-078-11	AIR-CORE COIL		Q901	8-729-140-04	TRANSISTOR 2SB1116A-L	
L105	1-457-078-11	AIR-CORE COIL		Q921	8-729-142-51	TRANSISTOR 2SD1616A-TP-LK	
L106	1-457-078-11	AIR-CORE COIL		Q943	1-801-806-11	TRANSISTOR DTC144EKA	
L107	1-414-398-11	INDUCTOR 10uH		Q945	6-550-718-01	TRANSISTOR RSR025N03TL	
L111	1-457-077-11	AIR-CORE COIL		Q947	1-801-806-11	TRANSISTOR DTC144EKA	
L112	1-457-077-11	AIR-CORE COIL				< RESISTOR >	
L115	1-457-077-11	AIR-CORE COIL		R108	1-216-837-11	METAL CHIP 22K 5% 1/10W	
L116	1-457-077-11	AIR-CORE COIL		R109	1-216-837-11	METAL CHIP 22K 5% 1/10W	
L121	1-456-680-11	INDUCTOR 10uH		R110	1-216-837-11	METAL CHIP 22K 5% 1/10W	
L122	1-456-680-11	INDUCTOR 10uH		R111	1-216-837-11	METAL CHIP 22K 5% 1/10W	
L125	1-456-680-11	INDUCTOR 10uH		R116	1-216-837-11	METAL CHIP 22K 5% 1/10W	
L126	1-456-680-11	INDUCTOR 10uH		R117	1-216-837-11	METAL CHIP 22K 5% 1/10W	
L127	1-456-680-11	INDUCTOR 10uH		R118	1-216-837-11	METAL CHIP 22K 5% 1/10W	
L131	1-456-680-11	INDUCTOR 10uH		R119	1-216-837-11	METAL CHIP 22K 5% 1/10W	
L132	1-456-680-11	INDUCTOR 10uH		R120	1-216-837-11	METAL CHIP 22K 5% 1/10W	
L135	1-456-680-11	INDUCTOR 10uH		R128	1-216-837-11	METAL CHIP 22K 5% 1/10W	
L136	1-456-680-11	INDUCTOR 10uH		R131	1-216-864-11	SHORT CHIP 0	
L137	1-456-680-11	INDUCTOR 10uH		R132	1-216-864-11	SHORT CHIP 0	
L301	1-414-754-11	INDUCTOR 10uH		R135	1-216-864-11	SHORT CHIP 0	
L302	1-412-939-11	INDUCTOR 1uH		R136	1-216-864-11	SHORT CHIP 0	
L303	1-469-527-91	INDUCTOR 47uH		R137	1-216-864-11	SHORT CHIP 0	
L501	1-414-754-11	INDUCTOR 10uH		R138	1-216-864-11	SHORT CHIP 0	
L502	1-414-754-11	INDUCTOR 10uH		R139	1-216-864-11	SHORT CHIP 0	
L503	1-216-295-91	SHORT CHIP 0		R141	1-216-864-11	SHORT CHIP 0	
L504	1-216-295-91	SHORT CHIP 0		R142	1-216-864-11	SHORT CHIP 0	
L931	1-457-058-11	INDUCTOR 10.8uH		R145	1-216-864-11	SHORT CHIP 0	
L941	1-414-398-11	INDUCTOR 10uH		R146	1-216-864-11	SHORT CHIP 0	
L942	1-414-398-11	INDUCTOR 10uH					
L945	1-414-398-11	INDUCTOR 10uH					

HCD-FX999W/FX1000W

MAIN

Ref. No.	Part No.	Description	Remark	Ref. No.	Part No.	Description	Remark
R147	1-216-864-11	SHORT CHIP	0	R320	1-216-864-11	SHORT CHIP	0
R151	1-216-864-11	SHORT CHIP	0	R321	1-216-864-11	SHORT CHIP	0
R152	1-216-864-11	SHORT CHIP	0	R322	1-216-833-11	METAL CHIP	10K 5% 1/10W
R155	1-216-864-11	SHORT CHIP	0	R323	1-216-864-11	SHORT CHIP	0
R156	1-216-864-11	SHORT CHIP	0	R325	1-216-864-11	SHORT CHIP	0
R157	1-216-864-11	SHORT CHIP	0	R326	1-216-864-11	SHORT CHIP	0
R161	1-216-864-11	SHORT CHIP	0	R328	1-216-864-11	SHORT CHIP	0
R162	1-216-864-11	SHORT CHIP	0	R329	1-216-864-11	SHORT CHIP	0
R165	1-216-864-11	SHORT CHIP	0	R330	1-216-837-11	METAL CHIP	22K 5% 1/10W
R166	1-216-864-11	SHORT CHIP	0	R331	1-216-837-11	METAL CHIP	22K 5% 1/10W
R167	1-216-864-11	SHORT CHIP	0	R332	1-216-837-11	METAL CHIP	22K 5% 1/10W
R171	1-216-864-11	SHORT CHIP	0	R333	1-216-837-11	METAL CHIP	22K 5% 1/10W
R172	1-216-864-11	SHORT CHIP	0	R334	1-216-837-11	METAL CHIP	22K 5% 1/10W
R175	1-216-864-11	SHORT CHIP	0	R335	1-216-837-11	METAL CHIP	22K 5% 1/10W
R176	1-216-864-11	SHORT CHIP	0	R336	1-216-837-11	METAL CHIP	22K 5% 1/10W
R177	1-216-864-11	SHORT CHIP	0	R337	1-216-837-11	METAL CHIP	22K 5% 1/10W
R191	1-220-942-11	METAL CHIP	3.3 1% 1/4W	R338	1-216-837-11	METAL CHIP	22K 5% 1/10W
R192	1-220-942-11	METAL CHIP	3.3 1% 1/4W	R339	1-216-837-11	METAL CHIP	22K 5% 1/10W
R195	1-220-942-11	METAL CHIP	3.3 1% 1/4W	R340	1-216-839-11	METAL CHIP	33K 5% 1/10W
R196	1-220-942-11	METAL CHIP	3.3 1% 1/4W	R341	1-216-839-11	METAL CHIP	33K 5% 1/10W
R197	1-220-942-11	METAL CHIP	3.3 1% 1/4W	R342	1-216-864-11	SHORT CHIP	0
R201	1-220-942-11	METAL CHIP	3.3 1% 1/4W	R343	1-216-864-11	SHORT CHIP	0
R202	1-220-942-11	METAL CHIP	3.3 1% 1/4W	R345	1-216-833-11	METAL CHIP	10K 5% 1/10W
R205	1-220-942-11	METAL CHIP	3.3 1% 1/4W	R346	1-216-817-11	METAL CHIP	470 5% 1/10W
R206	1-220-942-11	METAL CHIP	3.3 1% 1/4W	R347	1-216-833-11	METAL CHIP	10K 5% 1/10W
R207	1-220-942-11	METAL CHIP	3.3 1% 1/4W	R348	1-216-817-11	METAL CHIP	470 5% 1/10W
R211	1-216-136-00	RES-CHIP	2.7 5% 1/8W	R349	1-216-825-11	METAL CHIP	2.2K 5% 1/10W
R212	1-216-136-00	RES-CHIP	2.7 5% 1/8W	R350	1-216-825-11	METAL CHIP	2.2K 5% 1/10W
R215	1-216-136-00	RES-CHIP	2.7 5% 1/8W	R351	1-216-809-11	METAL CHIP	100 5% 1/10W
R216	1-216-136-00	RES-CHIP	2.7 5% 1/8W	R353	1-216-809-11	METAL CHIP	100 5% 1/10W
R217	1-216-136-00	RES-CHIP	2.7 5% 1/8W	R355	1-216-809-11	METAL CHIP	100 5% 1/10W
R221	1-216-136-00	RES-CHIP	2.7 5% 1/8W	R356	1-216-803-11	METAL CHIP	33 5% 1/10W
R222	1-216-136-00	RES-CHIP	2.7 5% 1/8W	R358	1-216-803-11	METAL CHIP	33 5% 1/10W
R225	1-216-136-00	RES-CHIP	2.7 5% 1/8W	R361	1-216-845-11	METAL CHIP	100K 5% 1/10W
R226	1-216-136-00	RES-CHIP	2.7 5% 1/8W	R362	1-216-845-11	METAL CHIP	100K 5% 1/10W
R227	1-216-136-00	RES-CHIP	2.7 5% 1/8W	R365	1-216-845-11	METAL CHIP	100K 5% 1/10W
R241	1-216-809-11	METAL CHIP	100 5% 1/10W	R366	1-216-845-11	METAL CHIP	100K 5% 1/10W
R242	1-216-809-11	METAL CHIP	100 5% 1/10W	R371	1-216-818-11	METAL CHIP	560 5% 1/10W
R245	1-216-809-11	METAL CHIP	100 5% 1/10W	R372	1-216-818-11	METAL CHIP	560 5% 1/10W
R246	1-216-809-11	METAL CHIP	100 5% 1/10W	R373	1-216-818-11	METAL CHIP	560 5% 1/10W
R247	1-216-809-11	METAL CHIP	100 5% 1/10W	R374	1-216-818-11	METAL CHIP	560 5% 1/10W
R300	1-216-809-11	METAL CHIP	100 5% 1/10W	R379	1-216-818-11	METAL CHIP	560 5% 1/10W
R302	1-216-809-11	METAL CHIP	100 5% 1/10W	R380	1-216-818-11	METAL CHIP	560 5% 1/10W
R303	1-216-809-11	METAL CHIP	100 5% 1/10W	R381	1-216-818-11	METAL CHIP	560 5% 1/10W
R304	1-216-809-11	METAL CHIP	100 5% 1/10W	R382	1-216-818-11	METAL CHIP	560 5% 1/10W
R305	1-216-809-11	METAL CHIP	100 5% 1/10W	R383	1-216-818-11	METAL CHIP	560 5% 1/10W
R306	1-216-809-11	METAL CHIP	100 5% 1/10W	R384	1-216-818-11	METAL CHIP	560 5% 1/10W
R308	1-216-809-11	METAL CHIP	100 5% 1/10W	R393	1-216-801-11	METAL CHIP	22 5% 1/10W
R309	1-216-809-11	METAL CHIP	100 5% 1/10W	R394	1-216-857-11	METAL CHIP	1M 5% 1/10W
R310	1-216-809-11	METAL CHIP	100 5% 1/10W	R395	1-216-845-11	METAL CHIP	100K 5% 1/10W
R311	1-216-809-11	METAL CHIP	100 5% 1/10W	R396	1-216-809-11	METAL CHIP	100 5% 1/10W
R312	1-216-809-11	METAL CHIP	100 5% 1/10W	R400	1-216-845-11	METAL CHIP	100K 5% 1/10W
R313	1-216-864-11	SHORT CHIP	0	R401	1-216-845-11	METAL CHIP	100K 5% 1/10W
R314	1-216-809-11	METAL CHIP	100 5% 1/10W	R402	1-216-845-11	METAL CHIP	100K 5% 1/10W
R315	1-216-809-11	METAL CHIP	100 5% 1/10W	R403	1-216-845-11	METAL CHIP	100K 5% 1/10W
R316	1-216-817-11	METAL CHIP	470 5% 1/10W	R404	1-216-845-11	METAL CHIP	100K 5% 1/10W
R317	1-216-817-11	METAL CHIP	470 5% 1/10W	R409	1-216-845-11	METAL CHIP	100K 5% 1/10W
R319	1-216-833-11	METAL CHIP	10K 5% 1/10W				

Ref. No.	Part No.	Description			Remark	Ref. No.	Part No.	Description			Remark
R410	1-216-845-11	METAL CHIP	100K	5%	1/10W	R530	1-216-809-11	METAL CHIP	100	5%	1/10W
R411	1-216-845-11	METAL CHIP	100K	5%	1/10W	R531	1-216-857-11	METAL CHIP	1M	5%	1/10W
R412	1-216-845-11	METAL CHIP	100K	5%	1/10W	R532	1-216-821-11	METAL CHIP	1K	5%	1/10W
R424	1-216-823-11	METAL CHIP	1.5K	5%	1/10W	R533	1-216-809-11	METAL CHIP	100	5%	1/10W
R426	1-216-833-11	METAL CHIP	10K	5%	1/10W	R534	1-216-809-11	METAL CHIP	100	5%	1/10W
R427	1-216-833-11	METAL CHIP	10K	5%	1/10W	R535	1-216-821-11	METAL CHIP	1K	5%	1/10W
R428	1-216-825-11	METAL CHIP	2.2K	5%	1/10W	R536	1-216-821-11	METAL CHIP	1K	5%	1/10W
R429	1-216-822-11	METAL CHIP	1.2K	5%	1/10W	R537	1-216-809-11	METAL CHIP	100	5%	1/10W
R430	1-216-833-11	METAL CHIP	10K	5%	1/10W	R538	1-216-295-91	SHORT CHIP	0		
R431	1-216-845-11	METAL CHIP	100K	5%	1/10W	R540	1-216-809-11	METAL CHIP	100	5%	1/10W
R450	1-216-833-11	METAL CHIP	10K	5%	1/10W	R541	1-216-809-11	METAL CHIP	100	5%	1/10W
R451	1-216-833-11	METAL CHIP	10K	5%	1/10W	R542	1-216-809-11	METAL CHIP	100	5%	1/10W
R452	1-216-833-11	METAL CHIP	10K	5%	1/10W	R543	1-216-809-11	METAL CHIP	100	5%	1/10W
R453	1-216-833-11	METAL CHIP	10K	5%	1/10W	R544	1-216-809-11	METAL CHIP	100	5%	1/10W
R456	1-216-833-11	METAL CHIP	10K	5%	1/10W	R545	1-216-809-11	METAL CHIP	100	5%	1/10W
R457	1-216-833-11	METAL CHIP	10K	5%	1/10W	R546	1-216-809-11	METAL CHIP	100	5%	1/10W
R458	1-216-833-11	METAL CHIP	10K	5%	1/10W	R547	1-216-809-11	METAL CHIP	100	5%	1/10W
R459	1-216-833-11	METAL CHIP	10K	5%	1/10W	R548	1-216-809-11	METAL CHIP	100	5%	1/10W
R468	1-216-864-11	SHORT CHIP	0			R549	1-216-809-11	METAL CHIP	100	5%	1/10W
R469	1-216-864-11	SHORT CHIP	0			R550	1-216-864-11	SHORT CHIP	0		
R472	1-216-864-11	SHORT CHIP	0			R551	1-216-821-11	METAL CHIP	1K	5%	1/10W
R473	1-216-864-11	SHORT CHIP	0			R552	1-216-809-11	METAL CHIP	100	5%	1/10W
R474	1-216-864-11	SHORT CHIP	0			R553	1-216-809-11	METAL CHIP	100	5%	1/10W
R475	1-216-864-11	SHORT CHIP	0			R554	1-216-809-11	METAL CHIP	100	5%	1/10W
R478	1-216-864-11	SHORT CHIP	0			R555	1-216-830-11	METAL CHIP	5.6K	5%	1/10W
R479	1-216-864-11	SHORT CHIP	0			R556	1-216-809-11	METAL CHIP	100	5%	1/10W
R480	1-216-864-11	SHORT CHIP	0			R557	1-216-829-11	METAL CHIP	4.7K	5%	1/10W
R481	1-216-833-11	METAL CHIP	10K	5%	1/10W	R558	1-216-839-11	METAL CHIP	33K	5%	1/10W
R482	1-216-833-11	METAL CHIP	10K	5%	1/10W	R559	1-216-821-11	METAL CHIP	1K	5%	1/10W
R483	1-216-833-11	METAL CHIP	10K	5%	1/10W	R560	1-216-809-11	METAL CHIP	100	5%	1/10W
R484	1-216-833-11	METAL CHIP	10K	5%	1/10W	R561	1-216-809-11	METAL CHIP	100	5%	1/10W
R487	1-216-833-11	METAL CHIP	10K	5%	1/10W	R563	1-216-809-11	METAL CHIP	100	5%	1/10W
R488	1-216-833-11	METAL CHIP	10K	5%	1/10W	R564	1-216-809-11	METAL CHIP	100	5%	1/10W
R489	1-216-833-11	METAL CHIP	10K	5%	1/10W	R565	1-216-809-11	METAL CHIP	100	5%	1/10W
R490	1-216-833-11	METAL CHIP	10K	5%	1/10W	R566	1-216-833-11	METAL CHIP	10K	5%	1/10W
R502	1-216-864-11	SHORT CHIP	0			R567	1-216-809-11	METAL CHIP	100	5%	1/10W
R504	1-216-809-11	METAL CHIP	100	5%	1/10W	R568	1-216-809-11	METAL CHIP	100	5%	1/10W
R505	1-216-809-11	METAL CHIP	100	5%	1/10W	R569	1-216-857-11	METAL CHIP	1M	5%	1/10W
R506	1-216-809-11	METAL CHIP	100	5%	1/10W	R572	1-216-809-11	METAL CHIP	100	5%	1/10W
R507	1-216-809-11	METAL CHIP	100	5%	1/10W	R573	1-216-809-11	METAL CHIP	100	5%	1/10W
R508	1-216-809-11	METAL CHIP	100	5%	1/10W	R574	1-216-809-11	METAL CHIP	100	5%	1/10W
R510	1-216-809-11	METAL CHIP	100	5%	1/10W	R575	1-216-809-11	METAL CHIP	100	5%	1/10W
R511	1-216-809-11	METAL CHIP	100	5%	1/10W	R577	1-216-835-11	METAL CHIP	15K	5%	1/10W
R512	1-216-809-11	METAL CHIP	100	5%	1/10W	R578	1-216-809-11	METAL CHIP	100	5%	1/10W
R514	1-216-821-11	METAL CHIP	1K	5%	1/10W	R580	1-216-833-11	METAL CHIP	10K	5%	1/10W
R515	1-216-809-11	METAL CHIP	100	5%	1/10W	R581	1-216-809-11	METAL CHIP	100	5%	1/10W
R516	1-216-809-11	METAL CHIP	100	5%	1/10W	R582	1-216-809-11	METAL CHIP	100	5%	1/10W
R517	1-216-809-11	METAL CHIP	100	5%	1/10W	R583	1-216-809-11	METAL CHIP	100	5%	1/10W
R518	1-216-809-11	METAL CHIP	100	5%	1/10W	R584	1-216-809-11	METAL CHIP	100	5%	1/10W
R519	1-216-809-11	METAL CHIP	100	5%	1/10W	R585	1-216-809-11	METAL CHIP	100	5%	1/10W
R520	1-216-809-11	METAL CHIP	100	5%	1/10W	R586	1-216-809-11	METAL CHIP	100	5%	1/10W
R521	1-216-833-11	METAL CHIP	10K	5%	1/10W	R587	1-216-809-11	METAL CHIP	100	5%	1/10W
R522	1-216-809-11	METAL CHIP	100	5%	1/10W	R588	1-216-809-11	METAL CHIP	100	5%	1/10W
R525	1-216-809-11	METAL CHIP	100	5%	1/10W	R589	1-216-821-11	METAL CHIP	1K	5%	1/10W
R526	1-216-827-11	METAL CHIP	3.3K	5%	1/10W	R590	1-216-809-11	METAL CHIP	100	5%	1/10W
R527	1-216-809-11	METAL CHIP	100	5%	1/10W	R591	1-216-809-11	METAL CHIP	100	5%	1/10W
R528	1-216-809-11	METAL CHIP	100	5%	1/10W	R594	1-216-809-11	METAL CHIP	100	5%	1/10W
R529	1-216-809-11	METAL CHIP	100	5%	1/10W						

HCD-FX999W/FX1000W

Ver. 1.2

MAIN

Ref. No.	Part No.	Description	Quantity	Percentage	Power	Remark	Ref. No.	Part No.	Description	Quantity	Percentage	Power	Remark
R595	1-216-809-11	METAL CHIP	100	5%	1/10W		R662	1-216-841-11	METAL CHIP	47K	5%	1/10W	
R596	1-216-821-11	METAL CHIP	1K	5%	1/10W		R664	1-216-813-11	METAL CHIP	220	5%	1/10W	
						(FX999W:SP, TW)	R665	1-216-813-11	METAL CHIP	220	5%	1/10W	
R596	1-216-833-11	METAL CHIP	10K	5%	1/10W		R666	1-216-813-11	METAL CHIP	220	5%	1/10W	
						(FX999W:E3)	R670	1-216-809-11	METAL CHIP	100	5%	1/10W	
R596	1-216-835-11	METAL CHIP	15K	5%	1/10W								
						(FX999W:AUS)	R672	1-216-809-11	METAL CHIP	100	5%	1/10W	
							R673	1-216-833-11	METAL CHIP	10K	5%	1/10W	
R596	1-216-841-11	METAL CHIP	47K	5%	1/10W		R674	1-216-864-11	SHORT CHIP	0			
						(FX999W:MX, E13, E32/FX1000W)	R675	1-216-809-11	METAL CHIP	100	5%	1/10W	
R597	1-216-809-11	METAL CHIP	100	5%	1/10W		R676	1-216-833-11	METAL CHIP	10K	5%	1/10W	
R598	1-216-809-11	METAL CHIP	100	5%	1/10W								
R599	1-216-809-11	METAL CHIP	100	5%	1/10W		R678	1-216-864-11	SHORT CHIP	0			
R600	1-216-809-11	METAL CHIP	100	5%	1/10W		R679	1-216-809-11	METAL CHIP	100	5%	1/10W	
							R680	1-216-809-11	METAL CHIP	100	5%	1/10W	
R601	1-216-809-11	METAL CHIP	100	5%	1/10W		R682	1-216-813-11	METAL CHIP	220	5%	1/10W	
R602	1-216-809-11	METAL CHIP	100	5%	1/10W		R683	1-216-809-11	METAL CHIP	100	5%	1/10W	
R603	1-216-809-11	METAL CHIP	100	5%	1/10W								
R604	1-216-817-11	METAL CHIP	470	5%	1/10W		R684	1-216-864-11	SHORT CHIP	0			
R605	1-216-817-11	METAL CHIP	470	5%	1/10W		R686	1-216-809-11	METAL CHIP	100	5%	1/10W	
							R692	1-216-809-11	METAL CHIP	100	5%	1/10W	
R606	1-216-819-11	METAL CHIP	680	5%	1/10W		R693	1-216-809-11	METAL CHIP	100	5%	1/10W	
R607	1-216-819-11	METAL CHIP	680	5%	1/10W		R694	1-216-809-11	METAL CHIP	100	5%	1/10W	
R608	1-216-809-11	METAL CHIP	100	5%	1/10W								
R609	1-216-864-11	SHORT CHIP	0				R695	1-216-809-11	METAL CHIP	100	5%	1/10W	
R611	1-216-833-11	METAL CHIP	10K	5%	1/10W		R696	1-216-809-11	METAL CHIP	100	5%	1/10W	
							R697	1-216-809-11	METAL CHIP	100	5%	1/10W	
R612	1-216-833-11	METAL CHIP	10K	5%	1/10W		R700	1-216-809-11	METAL CHIP	100	5%	1/10W	
R613	1-216-864-11	SHORT CHIP	0				R701	1-216-809-11	METAL CHIP	100	5%	1/10W	
R614	1-216-833-11	METAL CHIP	10K	5%	1/10W								
R615	1-216-817-11	METAL CHIP	470	5%	1/10W		R702	1-216-833-11	METAL CHIP	10K	5%	1/10W	
R616	1-216-833-11	METAL CHIP	10K	5%	1/10W		R703	1-216-821-11	METAL CHIP	1K	5%	1/10W	
							R704	1-216-821-11	METAL CHIP	1K	5%	1/10W	
R617	1-216-864-11	SHORT CHIP	0				R705	1-216-833-11	METAL CHIP	10K	5%	1/10W	
R618	1-216-864-11	SHORT CHIP	0				R706	1-216-809-11	METAL CHIP	100	5%	1/10W	
R620	1-216-809-11	METAL CHIP	100	5%	1/10W								
R622	1-216-833-11	METAL CHIP	10K	5%	1/10W		R707	1-216-809-11	METAL CHIP	100	5%	1/10W	
R624	1-216-833-11	METAL CHIP	10K	5%	1/10W		R709	1-216-833-11	METAL CHIP	10K	5%	1/10W	
							R713	1-216-864-11	SHORT CHIP	0			
R627	1-216-809-11	METAL CHIP	100	5%	1/10W		R717	1-216-833-11	METAL CHIP	10K	5%	1/10W	
R628	1-216-821-11	METAL CHIP	1K	5%	1/10W		R719	1-216-833-11	METAL CHIP	10K	5%	1/10W	
R629	1-216-295-91	SHORT CHIP	0										
R630	1-216-809-11	METAL CHIP	100	5%	1/10W		R722	1-216-841-11	METAL CHIP	47K	5%	1/10W	
R636	1-216-864-11	SHORT CHIP	0				R723	1-216-809-11	METAL CHIP	100	5%	1/10W	
							R724	1-216-809-11	METAL CHIP	100	5%	1/10W	
R637	1-216-864-11	SHORT CHIP	0				R725	1-216-829-11	METAL CHIP	4.7K	5%	1/10W	
R638	1-216-809-11	METAL CHIP	100	5%	1/10W		R726	1-216-821-11	METAL CHIP	1K	5%	1/10W	
R639	1-216-809-11	METAL CHIP	100	5%	1/10W								
R640	1-216-295-91	SHORT CHIP	0				R727	1-216-829-11	METAL CHIP	4.7K	5%	1/10W	
R642	1-216-809-11	METAL CHIP	100	5%	1/10W		R728	1-216-821-11	METAL CHIP	1K	5%	1/10W	
							R729	1-216-829-11	METAL CHIP	4.7K	5%	1/10W	
R643	1-216-809-11	METAL CHIP	100	5%	1/10W		R730	1-216-829-11	METAL CHIP	4.7K	5%	1/10W	
R644	1-216-809-11	METAL CHIP	100	5%	1/10W		R731	1-216-809-11	METAL CHIP	100	5%	1/10W	
R645	1-216-809-11	METAL CHIP	100	5%	1/10W								
R646	1-216-809-11	METAL CHIP	100	5%	1/10W		R735	1-216-809-11	METAL CHIP	100	5%	1/10W	
R647	1-216-809-11	METAL CHIP	100	5%	1/10W		R736	1-216-809-11	METAL CHIP	100	5%	1/10W	
							R737	1-216-809-11	METAL CHIP	100	5%	1/10W	
R648	1-216-809-11	METAL CHIP	100	5%	1/10W		R738	1-216-809-11	METAL CHIP	100	5%	1/10W	
R649	1-216-809-11	METAL CHIP	100	5%	1/10W		R739	1-216-841-11	METAL CHIP	47K	5%	1/10W	
R650	1-216-864-11	SHORT CHIP	0										
R652	1-216-809-11	METAL CHIP	100	5%	1/10W		R740	1-216-809-11	METAL CHIP	100	5%	1/10W	
R653	1-216-809-11	METAL CHIP	100	5%	1/10W		R741	1-216-841-11	METAL CHIP	47K	5%	1/10W	
							R743	1-216-833-11	METAL CHIP	10K	5%	1/10W	
R654	1-216-809-11	METAL CHIP	100	5%	1/10W		R746	1-216-841-11	METAL CHIP	47K	5%	1/10W	
R655	1-216-809-11	METAL CHIP	100	5%	1/10W		R748	1-216-821-11	METAL CHIP	1K	5%	1/10W	
R657	1-216-841-11	METAL CHIP	47K	5%	1/10W								
R659	1-216-845-11	METAL CHIP	100K	5%	1/10W		R749	1-216-821-11	METAL CHIP	1K	5%	1/10W	
R660	1-216-864-11	SHORT CHIP	0				R750	1-216-821-11	METAL CHIP	1K	5%	1/10W	
							R755	1-216-821-11	METAL CHIP	1K	5%	1/10W	

Ref. No.	Part No.	Description	Remark	Ref. No.	Part No.	Description	Remark
R756	1-216-821-11	METAL CHIP	1K 5% 1/10W	△R925	1-216-797-11	METAL CHIP	10 5% 1/10W
R760	1-216-809-11	METAL CHIP	100 5% 1/10W	△R926	1-216-855-11	METAL CHIP	680K 5% 1/10W
R761	1-216-809-11	METAL CHIP	100 5% 1/10W	△R927	1-216-348-00	METAL OXIDE	0.82 5% 1W (FX999W:MX, TW)
R762	1-216-809-11	METAL CHIP	100 5% 1/10W	△R927	1-216-349-00	METAL OXIDE	1 5% 1W (EXCEPT FX999W:MX, TW)
R763	1-216-809-11	METAL CHIP	100 5% 1/10W	△R929	1-249-478-11	CARBON	2.2 5% 1/2W
R764	1-216-809-11	METAL CHIP	100 5% 1/10W	R930	1-216-864-11	SHORT CHIP	0 (EXCEPT FX999W:MX)
R765	1-216-809-11	METAL CHIP	100 5% 1/10W	R931	1-218-863-11	METAL CHIP	4.7K 0.5% 1/10W (FX999W:E32)
R774	1-216-821-11	METAL CHIP	1K 5% 1/10W	R931	1-218-869-11	METAL CHIP	8.2K 0.5% 1/10W (EXCEPT FX999W:E32)
R775	1-216-841-11	METAL CHIP	47K 5% 1/10W	R932	1-218-883-11	METAL CHIP	33K 0.5% 1/10W
R789	1-216-809-11	METAL CHIP	100 5% 1/10W	R933	1-216-829-11	METAL CHIP	4.7K 5% 1/10W
R790	1-216-809-11	METAL CHIP	100 5% 1/10W	R934	1-216-821-11	METAL CHIP	1K 5% 1/10W
R791	1-216-809-11	METAL CHIP	100 5% 1/10W	R935	1-216-821-11	METAL CHIP	1K 5% 1/10W
R792	1-216-823-11	METAL CHIP	1.5K 5% 1/10W (FX999W:E13)	R936	1-216-853-11	METAL CHIP	470K 5% 1/10W
R792	1-216-833-11	METAL CHIP	10K 5% 1/10W (FX999W:MX, E32)	R937	1-216-833-11	METAL CHIP	10K 5% 1/10W
R792	1-216-835-11	METAL CHIP	15K 5% 1/10W (FX1000W)	R938	1-216-821-11	METAL CHIP	1K 5% 1/10W
R792	1-216-841-11	METAL CHIP	47K 5% 1/10W (FX999W:E3, AUS)	R939	1-218-859-11	METAL CHIP	3.3K 0.5% 1/10W
R793	1-216-833-11	METAL CHIP	10K 5% 1/10W (FX1000W)	R940	1-216-833-11	METAL CHIP	10K 5% 1/10W
R793	1-216-841-11	METAL CHIP	47K 5% 1/10W (FX999W)	R941	1-216-864-11	SHORT CHIP	0
△R901	1-219-759-11	METAL	1M 5% 1/2W (EXCEPT FX999W:MX, TW)	R943	1-216-864-11	SHORT CHIP	0
△R902	1-219-237-11	SOLID	3.3M 20% 1/2W (FX999W:MX, TW)	R946	1-216-811-11	METAL CHIP	150 5% 1/10W
△R903	1-215-926-00	METAL OXIDE	33K 5% 3W (FX999W:MX, TW)	R948	1-216-833-11	METAL CHIP	10K 5% 1/10W
△R903	1-215-929-11	METAL OXIDE	100K 5% 3W (EXCEPT FX999W:MX, TW)	R949	1-216-821-11	METAL CHIP	1K 5% 1/10W
△R904	1-215-926-00	METAL OXIDE	33K 5% 3W (FX999W:MX, TW)	R951	1-218-831-11	METAL CHIP	220 0.5% 1/10W
△R904	1-215-929-11	METAL OXIDE	100K 5% 3W (EXCEPT FX999W:MX, TW)	R952	1-218-855-11	METAL CHIP	2.2K 0.5% 1/10W
△R905	1-216-797-11	METAL CHIP	10 5% 1/10W	R953	1-218-861-11	METAL CHIP	3.9K 0.5% 1/10W
△R906	1-216-827-11	METAL CHIP	3.3K 5% 1/10W	R954	1-216-837-11	METAL CHIP	22K 5% 1/10W
△R907	1-216-833-11	METAL CHIP	10K 5% 1/10W	R955	1-216-817-11	METAL CHIP	470 5% 1/10W
△R908	1-260-105-11	CARBON	3.3K 5% 1/2W	R956	1-216-821-11	METAL CHIP	1K 5% 1/10W
△R909	1-216-845-11	METAL CHIP	100K 5% 1/10W	R957	1-216-841-11	METAL CHIP	47K 5% 1/10W
△R910	1-216-825-11	METAL CHIP	2.2K 5% 1/10W	R958	1-216-821-11	METAL CHIP	1K 5% 1/10W
△R911	1-216-813-11	METAL CHIP	220 5% 1/10W	R965	1-216-864-11	SHORT CHIP	0
△R912	1-216-361-61	METAL OXIDE	0.22 5% 2W (FX999W:MX, TW)	< COMPOSITION CIRCUIT BLOCK >			
△R912	1-216-363-00	METAL OXIDE	0.33 5% 2W (EXCEPT FX999W:MX, TW)	RB501	1-233-576-11	RES, CHIP NETWORK	100 (3216)
△R913	1-216-361-61	METAL OXIDE	0.22 5% 2W (FX999W:MX, TW)	RB502	1-233-576-11	RES, CHIP NETWORK	100 (3216)
△R914	1-214-789-00	METAL	0.1 10% 5W (EXCEPT FX999W:MX, TW)	RB503	1-233-576-11	RES, CHIP NETWORK	100 (3216)
△R914	1-243-665-11	METAL	0.05 5% 5W (FX999W:MX, TW)	RB504	1-233-576-11	RES, CHIP NETWORK	100 (3216)
△R918	1-216-864-11	SHORT CHIP	0	RB505	1-233-576-11	RES, CHIP NETWORK	100 (3216)
△R919	1-216-836-11	METAL CHIP	18K 5% 1/10W	RB506	1-233-576-11	RES, CHIP NETWORK	100 (3216)
△R920	1-216-821-11	METAL CHIP	1K 5% 1/10W	RB507	1-233-576-11	RES, CHIP NETWORK	100 (3216)
△R921	1-215-904-61	METAL OXIDE	100K 5% 2W	RB901	1-236-908-11	RES, CHIP NETWORK	10K (3216)
△R922	1-216-793-11	METAL CHIP	4.7 5% 1/10W	RB902	1-236-908-11	RES, CHIP NETWORK	10K (3216)
△R923	1-216-829-11	METAL CHIP	4.7K 5% 1/10W	RB903	1-236-908-11	RES, CHIP NETWORK	10K (3216)
△R924	1-216-864-11	SHORT CHIP	0 (EXCEPT FX999W:MX)	RB904	1-236-908-11	RES, CHIP NETWORK	10K (3216)
				RB905	1-233-411-11	RES, CHIP NETWORK	220 (3216)
				RB906	1-233-411-11	RES, CHIP NETWORK	220 (3216)
				RB907	1-233-411-11	RES, CHIP NETWORK	220 (3216)
				RB908	1-233-411-11	RES, CHIP NETWORK	220 (3216)
				< TRANSFORMER >			
				△T901	1-443-649-11	TRANSFORMER, CONVERTER	(FX999W:MX, TW)
				△T901	1-443-651-11	TRANSFORMER, CONVERTER	(EXCEPT FX999W:MX, TW)
				△T902	1-443-650-11	TRANSFORMER, CONVERTER	

HCD-FX999W/FX1000W

Ver. 1.2

MAIN

<u>Ref. No.</u>	<u>Part No.</u>	<u>Description</u>	<u>Remark</u>
		< THERMISTOR >	
△ TH901	1-805-841-21	THERMISTOR, NTC 3.0 (FX999W:MX, E32, TW)	
△ TH901	1-805-842-21	THERMISTOR, NTC 6.0 (FX999W:E3, E13, SP, AUS/FX1000W)	
		< VARISTOR >	
△ VDR901	1-805-482-11	VARISTOR	
		< VIBRATOR >	
X450	1-795-660-21	QUARTZ CRYSTAL UNIT (49.152MHz)	
X500	1-795-843-11	VIBRATOR, CRYSTAL (12.288MHz)	
X501	1-813-325-11	VIBRATOR, CRYSTAL (13.90MHz)	
X502	1-795-058-21	VIBRATOR, CERAMIC (5MHz)	

MEMO

